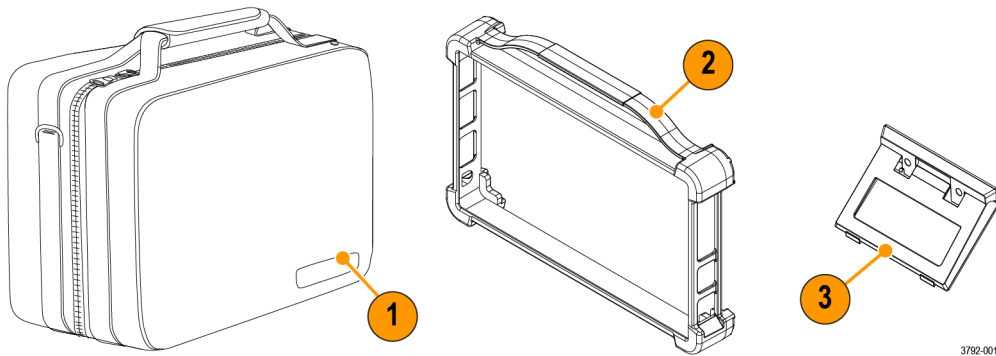


2-PC Protective Case Instructions

The 2-PC includes a soft carrying case, a protective case that fits around the outside edges of the instrument, and a kickstand.



Item	Description
1	Soft carrying case includes two interior zipper pockets, rear slip pocket, and shoulder strap.
2	Synthetic rubber protective case. Provides extra protection against drops, increased grip, and carrying handle.
3	Kickstand provides a hands-free option to position your instrument at an angle on a work surface.

Copyright © Tektronix. All rights reserved. Licensed software products are owned by Tektronix or its subsidiaries or suppliers, and are protected by national copyright laws and international treaty provisions. Tektronix products are covered by U.S. and foreign patents, issued and pending. Information in this publication supersedes that in all previously published material. Specifications and price change privileges reserved.

TEKTRONIX and TEK are registered trademarks of Tektronix, Inc.

Contacting Tektronix

Tektronix, Inc.

14150 SW Karl Braun Drive

P.O. Box 500

Beaverton, OR 97077

USA

For product information, sales, service, and technical support:

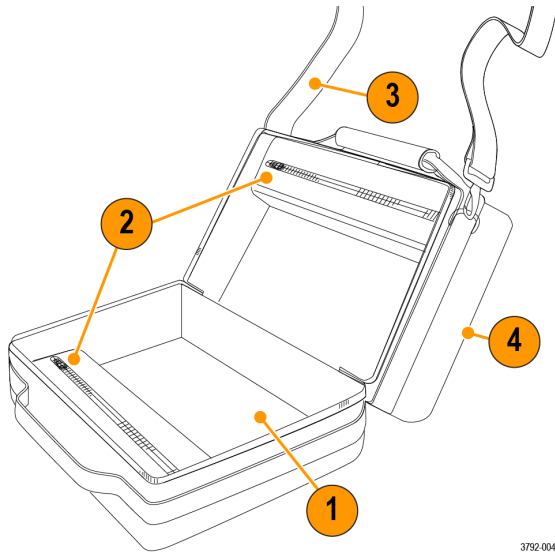
- In North America, call 1-800-833-9200.
- Worldwide, visit to www.tek.com find contacts in your area.

Warranty

For warranty information, go to www.tek.com/warranty-status-search



Soft carrying case description

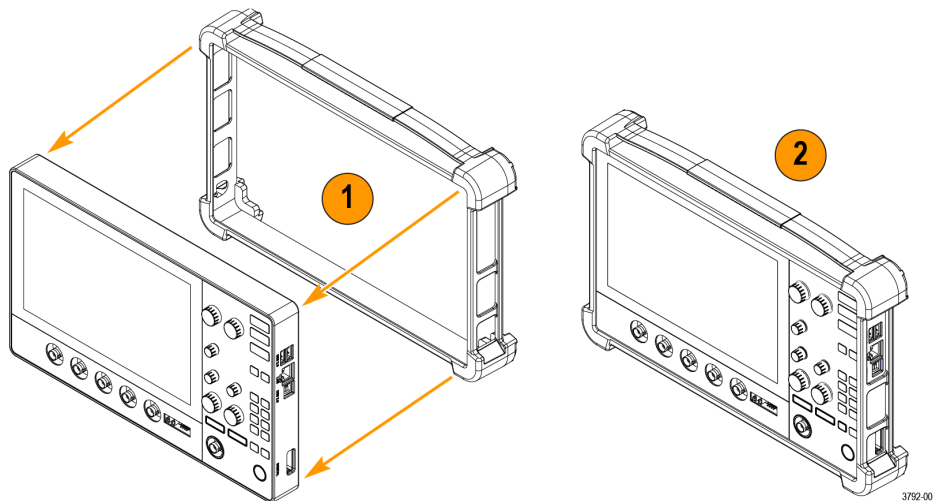


3792-004

Item	Description
1	Area designated for one 2 Series MSO instrument. Fits an instrument with protective case and kickstand installed.
2	Two storage pockets. Fits accessories like the power supply, probes, and cables.
3	Shoulder strap for case transit.
4	Rear slip pocket for cables, probes, or documentation.

Install the protective case

Procedure



3792-001

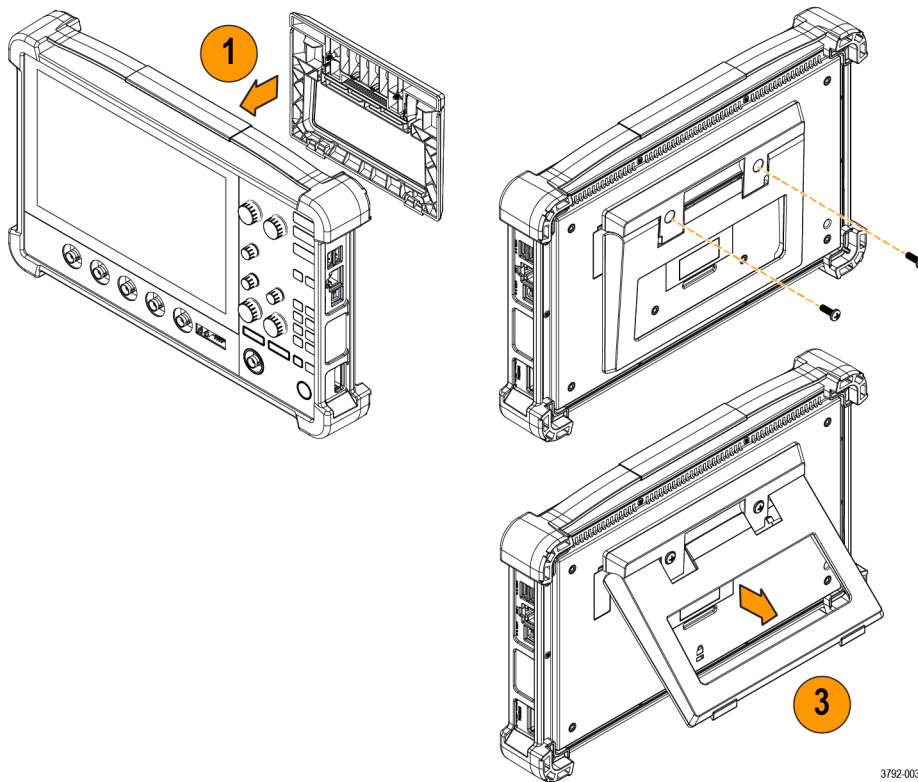
1. Install the protective case from the back of the instrument, stretching it over 3 corners.
Stretch one corner over the back of the instrument at a time.
2. Stretch the last corner of the protective case over the instrument.

Install the kickstand

Before you begin

Use a screwdriver handle with No. 2 Phillips screw tip or a No. 2 Phillips screwdriver to install the kickstand onto your instrument.

Procedure



3792-003

1. Align the kickstand with the two top VESA mount holes (closest to the top of the label) on the back of the instrument.
2. Install the two screws included with your kickstand.
3. Pull the bottom of the kickstand out to position your instrument at an angle.