

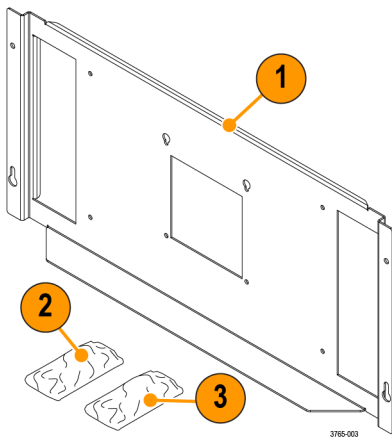
2 Series Mixed Signal Oscilloscope Rackmount Instructions

Kit description

The 2-RK rackmount kit is a collection of parts that, once installed, configure the instrument for mounting into a standard 19-inch equipment rack.

This kit supports all 2 Series MSO instruments.

Parts list



Item	Part Number	Quantity	Description
1	407-6248-XX	1	Rackmount bracket
2	211-1732-XX	8	Screw, M4X.7X8mm. Use for attaching the bracket to the instrument.
3	212-0577-XX	4	Screw, Machine 10-32x.625. Optional, use for attaching the instrument with bracket to the rack.

Recommended installation tools

Use a screwdriver handle with No. 2 Phillips screw tip or a No. 2 Phillips screwdriver to install your rackmount kit.



Warranted characteristics

When the instrument is installed according to the instructions in this document, the rackmounted instrument meets all warranted requirements listed in the instrument specification. Instruments mounted using methods other than those described in these instructions might not meet their warranted requirements.

For tables of the warranted characteristics, see Specifications in the specification and performance verification manual that applies to your instrument model.



CAUTION: The rack is more susceptible to tipping when the instrument is installed. To prevent the rack from tipping, ensure that the rack is stable before accessing rear panel of the instrument.

The ambient temperature inside the instrument rack will vary depending on the location of the instrument within the instrument rack. Tektronix recommends that you measure the ambient temperature in the desired rack location before you install the instrument to ensure the operating temperature does not exceed the rated ambient temperature limit. If necessary, refer to the Environmental Specifications in your product documentation for the operating temperature limits.



CAUTION: The instrument might be damaged due to overheating. When installing multiple instruments in an instrument rack, the ambient temperature may go up. You assume the responsibility to provide adequate cooling to meet the ambient temperature requirements listed in the specifications.

Clearance requirements

The rack in which the individual instrument is mounted must provide the following clearance requirements.

- At least 222 mm (8.75 in) of vertical space or 5 RU (rack units) of vertical space.
- A minimum inside depth of at least 14 mm (0.55 in) depth (from rack mounting ear to back of instrument).
- A minimum external clearance of at least 34 mm (1.34 in) frontwards from rack mounting ear.
- Airflow enters from underneath the instrument and exits at the top of the instrument. The rack mount bracket ensures clearance for adequate airflow.
- No additional clearance is needed on the left or right sides of the instrument for adequate airflow.



CAUTION: Adhering to these requirements mounts the rack-adapted instrument with enough clearance for air circulation and accommodation of the power cord and mounting hardware. Failure to provide these clearances can result in overheating and can cause the instrument to operate improperly or fail.

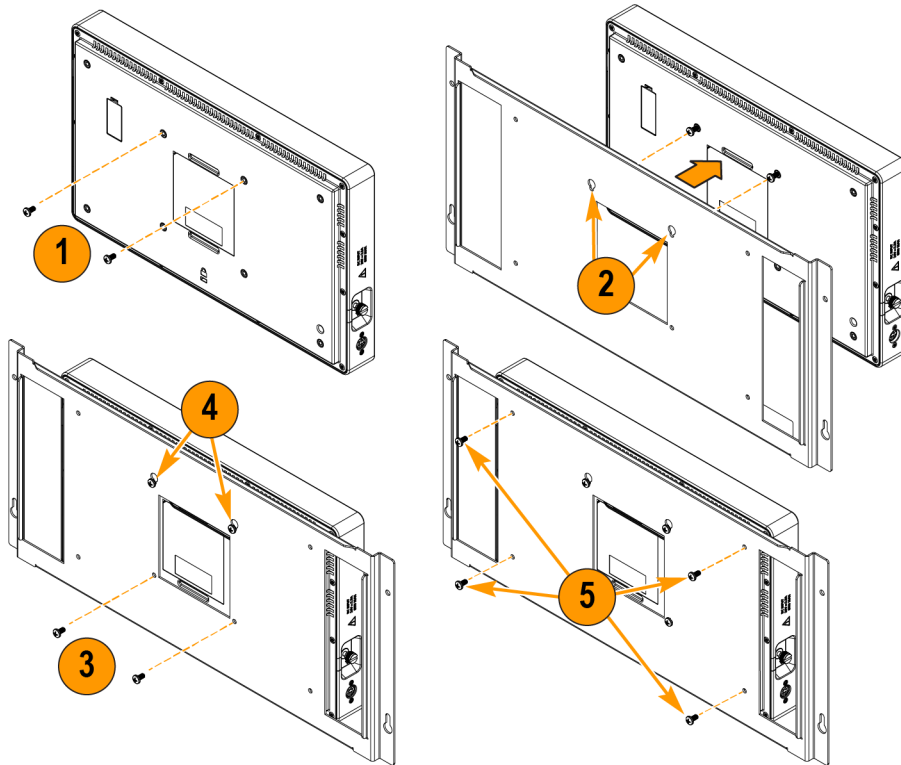
Install the rackmount on the instrument

Install the 2-RK rackmount onto the back of your 2 Series MSO instrument using the following instructions.

Before you begin

These instructions are for qualified service personnel who are familiar with servicing the product. If you need further details for disassembling or reassembling the product, refer to the appropriate product manual. Contact your nearest Tektronix, Inc., Service Center or Tektronix Factory Service for installation assistance.

Procedure



3765-002

1. Install two screws to the top VESA mount holes (closest to the top of the label) on the back of the instrument.
Do not fully tighten the screws.
2. Slide the rackmount over the top two screws.
3. Fully install two screws to the bottom VESA mount holes (closest to the bottom of the label) to secure the rackmount to the instrument.
4. Fully tighten the top two screws from the first step.
5. Install the remaining four screws to the outer rackmount holes.

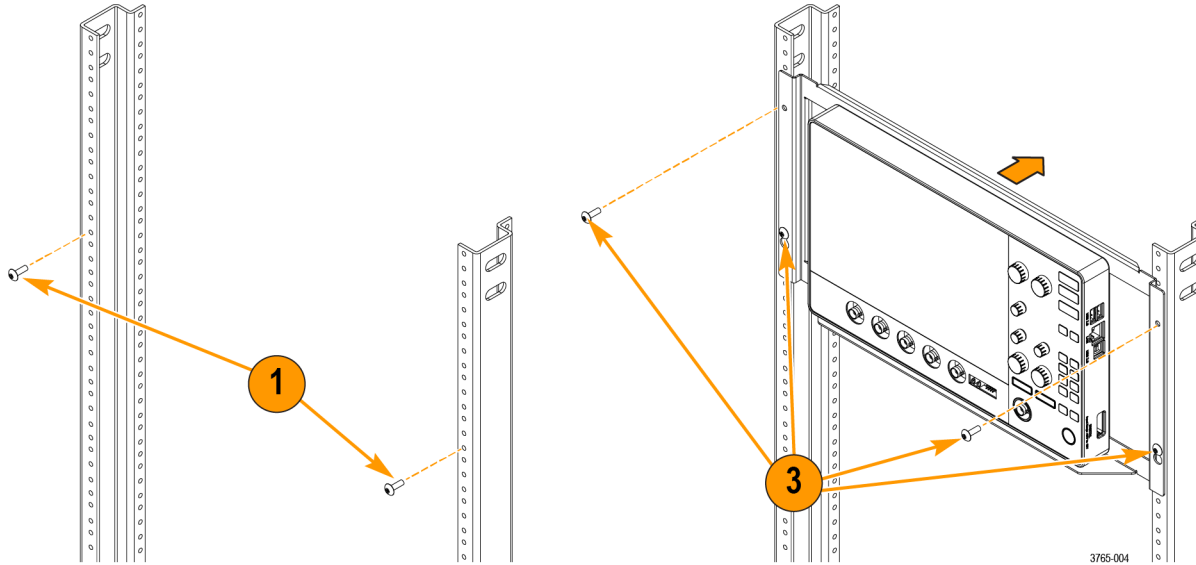
Install the instrument into the rack

Install the 2 Series MSO instrument with the rackmount into your rack.

Before you begin

Align the rackmount on the rack to determine the location of the bottom two rackmount screws.

Procedure



1. Install the bottom two rackmount screws to the rack.
Do not fully tighten the screws.
2. Slide the rackmount over the bottom two screws.
3. Install the top two rackmount screws and fully tighten the bottom two screws.

What to do next

Connect the necessary cables and the power cord.

Dimensions

The dimensions of the rackmount installed on the instrument.

