



**4 Series MSO (MSO44, MSO46, MSO44B, MSO46B)
5 Series MSO (MSO54, MSO56, MSO58, MSO54B, MSO56B,
MSO58B, MSO58LP)
6 Series MSO (MSO64, MSO64B, MSO66B, MSO68B)
6 Series Low Profile Digitizer (LPD64)**

Programmer Manual





4 Series MSO (MSO44, MSO46, MSO44B, MSO46B)
**5 Series MSO (MSO54, MSO56, MSO58, MSO54B, MSO56B,
MSO58B, MSO58LP)**
6 Series MSO (MSO64, MSO64B, MSO66B, MSO68B)
6 Series Low Profile Digitizer (LPD64)

Programmer Manual

Supports FW version 2.8.x and above
www.tek.com

077-1305-24

Copyright © Tektronix. All rights reserved. Licensed software products are owned by Tektronix or its subsidiaries or suppliers, and are protected by national copyright laws and international treaty provisions.

Tektronix products are covered by U.S. and foreign patents, issued and pending. Information in this publication supersedes that in all previously published material. Specifications and price change privileges reserved.

TEKTRONIX and TEK are registered trademarks of Tektronix, Inc.

FlexChannel, FastFrame, OpenChoice, iView, Pinpoint, RT-Eye, TekVPI, FastAcq, and e*Scope are registered trademarks of Tektronix, Inc.

TekSecure is a trademark of Tektronix, Inc.

4/5/6 Series MSO Programmer Manual. Released January 2024.

Contacting Tektronix

Tektronix, Inc.
14150 SW Karl Braun Drive
P.O. Box 500
Beaverton, OR 97077
USA

For product information, sales, service, and technical support:

- In North America, call 1-800-833-9200.
- Worldwide, visit www.tek.com to find contacts in your area.

Table of Contents

Preface	v
Getting Started	1-1
Setting Up Remote Communications Hardware	1-1
Ethernet	1-1
USB.....	1-2
Setting Up Remote Communications Software	1-3
Using VISA.....	1-3
Using the LXI Web Page and e*Scope	1-4
Using a Socket Server	1-5
Documentation	1-7
Dynamic programmatic interface	1-7
Implicit activation	1-7
Creating, deleting, and listing dynamic instances.....	1-8
Backwards Compatibility	1-8
Command Syntax.....	2-1
Command and Query Structure	2-1
Clearing the instrument output queue	2-3
Command Entry.....	2-3
Constructed Mnemonics	2-5
Argument Types.....	2-7
Command groups.....	2-11
Acquisition command group	2-11
Act On Event command group.....	2-12
AFG Command Group	2-13
Alias command group	2-15
Bus command group.....	2-16
Calibration command group.....	2-27
Callouts command group	2-28
Cursor command group	2-29
Digital command group	2-36
Digital Power Management (DPM) Group	2-37
Display control command group.....	2-39
DVM Command Group	2-42
Ethernet Command Group	2-43
File system command group.....	2-44
Histogram Group	2-45
History Group	2-46
Horizontal command group.....	2-47
Inverter Motors and Drive Analysis (IMDA) Group	2-49

Mask command group.....	2-52
Math command group.....	2-54
Measurement command group.....	2-58
Measurement command subgroup for Jitter Summary.....	2-77
Miscellaneous command group.....	2-79
Plot command group.....	2-82
Power command group.....	2-83
Save and Recall command group.....	2-97
Save On command Group.....	2-98
Search and Mark command group.....	2-99
Self Test command group.....	2-134
Spectrum View command group.....	2-135
Status and Error command group.....	2-138
Trigger command group.....	2-139
Vertical command group.....	2-151
Waveform Transfer command group.....	2-154
Wide Band Gap Analysis command group.....	2-157
Zoom command group.....	2-159
Commands listed in alphabetical order.....	2-161
Status and Events.....	3-1
Registers.....	3-1
Queues.....	3-4
Event Handling Sequence.....	3-5
Synchronization Methods.....	3-7
Appendix A: Character Set.....	A-1
Appendix B: Reserved Words.....	B-1
Appendix C: Factory Defaults.....	C-1
Default Setup.....	C-1
Appendix D: Waveform Transfer (WFMOutpre and CURVe Query) Examples.....	D-1
Example 1: Analog Waveform (Channels 1–4).....	D-1
Example 2: Digital Waveform.....	D-3
Example 3: Digital with 4 Bytes Per Point and Zoom Off.....	D-5
Example 4: Digital with 8 Bytes Per Point and Zoom Off.....	D-7
Example 5: Digital with 4 Bytes Per Point and Zoom On.....	D-10
Example 6: RF Frequency Domain Waveform.....	D-12
Example 7: Baseband IQ Waveform.....	D-14
Appendix E: Search and Trigger Command Sequence Examples.....	E-1
Example 1: Single Threshold Edge Search.....	E-1
Example 2: Single Threshold Edge Trigger.....	E-1
Example 3: Dual Threshold Runt Search.....	E-2
Example 4: Single Threshold Logic Search on Three Waveforms.....	E-3

Glossary
Index

Preface

This programmer guide provides you with the information required to use Programmable Interface commands to remotely control your instrument.

The programmer manual is divided into the following major topics:

- **Getting started.** This topic introduces you to the programming information and provides basic information about setting up your instrument for remote control.
- **Command syntax.** This topic provides an overview of the command syntax that you use to communicate with the instrument and other general information about commands, such as how commands and queries are constructed, how to enter commands, constructed mnemonics, and argument types.
- **Command groups.** This topic contains all the commands listed in functional groups. Each group consists of an overview of the commands in that group and a table that lists all the commands and queries for that group. You can click a command in the listing to display a detailed description of the command.
- **Commands listed in alphabetical order.** This topic contains all commands listed in alphabetical order. Command details, syntax, and examples are provided.
- **Status and events.** This topic discusses the status and event reporting system for the programming interfaces. This system informs you of certain significant events that occur within the instrument. Topics that are discussed include registers, queues, event handling sequences, synchronization methods, and messages that the instrument might return, including error messages.
- **Appendices.** These topics contain miscellaneous information, such as a list of reserved words, a table of the factory initialization (default) settings, and interface specifications that can be helpful when using commands to remotely control the instrument.

Getting Started

This manual explains the use of commands to remotely control your instrument. With this information, you can write computer programs to perform functions, such as setting the front-panel controls, taking measurements, performing statistical calculations, and exporting data for use in other programs.

Familiarity with the User Manual for your instrument is assumed. You can download the User Manual from the Tektronix website at www.tek.com.

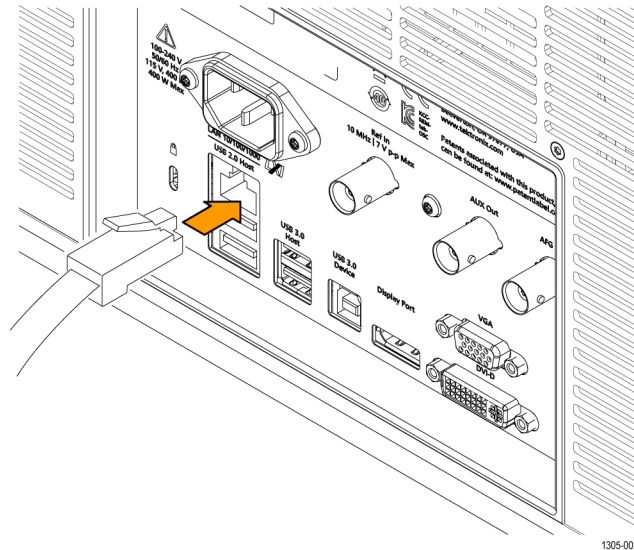
NOTE. Most examples in this document assume that both *HEADer* and *VERBose* are set to ON.

Setting Up Remote Communications Hardware

You can remotely control communications between your instrument and a PC via Ethernet or USB cables.

Ethernet

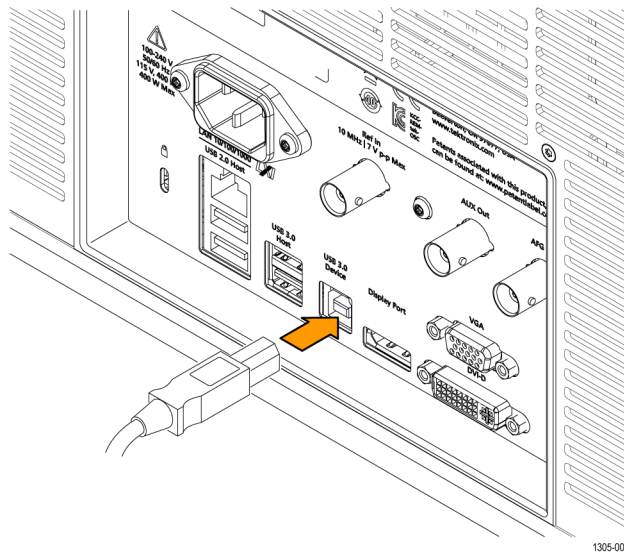
If you are using Ethernet, start by connecting an appropriate Ethernet cable to the Ethernet port (RJ-45 connector) on the rear panel of your instrument. This connects the instrument to a 10BASE-T/100BASE-T/1000BASE-T local area network.



To change the Ethernet settings on your instrument, do the following:

1. Select the **Utility** drop-down menu.
2. Select the **I/O** menu.
3. Select the **LAN** panel.
4. In the menu, if you are on a DHCP Ethernet network that supplies the IP address automatically by a DHCP, tap **Auto**.
5. In the menu, if you want to supply your own network settings, tap **Manual** to set a hard coded TCP/IP address.

USB If you are using USB, start by connecting the appropriate USB cable to the USB 3.0 super-speed (SS) Device port on the rear panel of your instrument. This port requires that the cable connected from the port to the host computer meets the USB 3.0 specification for super speed connections. Typically, such cables should be 3 feet or shorter in length, but this is determined by the quality of the cable and, with higher quality cables, this length can be extended. (It is also dependent upon the drive capability of the host USB port to which the instrument is connected.) The use of high quality short cables is recommended to avoid USB connection problems.



With USB, the system automatically configures itself. To verify that the USB is enabled:

1. Select the **Utility** drop-down menu.
2. Select the **I/O** menu.
3. Touch **USB Device Port** to open the USB Device Port configuration menu.
4. If USB is disabled, tap **USB Device Port** to enable the USB Device port.

After connection, the host, with appropriate software, can list the instrument as a USB device with the following parameters: (See Table 1-1.)

Table 1-1: USB Device Parameters

Parameter	Value
Manufacturer ID	0x0699 (decimal 1689)
Product ID	0x0522 (You can send the USBTMC:PRODUCTID:HEXadecimal? query to read the value)
Serial number	Serial number
Manufacturer description	"Tektronix"
Interface description	"USBTMC-USB488"

Setting Up Remote Communications Software

Connect your instrument directly to a computer to let the PC analyze your data, collect screen images, or to control the instrument using a program of your own creation. Three ways to connect your instrument to a computer are through the VISA drivers, the e*Scope Web-enabled tools, or via a socket server.

Using VISA VISA lets you use your MS-Windows computer to acquire data from your instrument for use in an analysis package that runs on your PC, such as Microsoft Excel, National Instruments LabVIEW, Tektronix OpenChoice Desktop software, or your own custom software. You can use a common communications connection, such as USB or Ethernet, to connect the computer to the instrument.

To set up VISA communications between your instrument and a computer:

1. Load the VISA drivers on your computer. Also, load your application, such as OpenChoice Desktop. You will find the drivers and OpenChoice Desktop software on the appropriate CD that comes with your instrument or at the Tektronix software finder Web page (www.tektronix.com/downloads).
2. Connect the instrument to your computer with the appropriate USB or Ethernet cable. Cycle the power on the instrument.
3. Select the **Utility** drop-down menu
4. Select **I/O** menu.
5. If you are using USB, the system sets itself up automatically for you, if USB is enabled. Check **USB DEVICE PORT** panel to be sure that USB is enabled. If it is not enabled, toggle the On/Off button to On.
6. To use Ethernet, select the **LAN** panel. Use the controls to adjust your network settings, as needed. For more information, see the e*Scope setup information below.
7. If you want to change socket server parameters, select the **Socket Server** panel and enter new values through the resulting panel controls.
8. Run your application software on your computer.

Quick Tips

- The USB 3.0 super-speed (SS) device port is the correct USB port for computer connectivity. Use the rear- and front-panel USB 2.0 or 3.0 host ports to connect your instrument to USB flash drives, hard drives, keyboards or mice. Use the USB Device port to connect your instrument to a PC.

There are both USB 2.0 and 3.0 host ports on the instrument. The device port is USB 3.0. Printers are not supported on host ports. PictBridge printers are not supported on the device port.

Using the LXI Web Page and e*Scope

With e*Scope, you can access your Internet-connected instrument from a web browser.

NOTE. *This procedure presumes that you have connected the instrument to a network and configures the instrument to work on your network. See the instrument Installation and Safety instructions, or the embedded Help on the instrument, for instructions on how to configure the instrument for network use.*

To set up e*Scope communications between your instrument and a web browser running on a remote computer:

1. Connect the instrument to your computer network with an appropriate Ethernet cable.
2. Select the **Utility** drop-down menu.
3. Select the **I/O** menu.
4. Select the **LAN** panel.
5. At the top left of the panel, there is an indicator light which turns red if the device detects a fault.
6. Tap **Test Connection** to check if your instrument can find an attached network.
7. Record the IP address shown on your instrument.
8. Start a Web browser on a PC that has access to the same network to which the instrument is attached.
9. Enter the IP address of the instrument in the browser address line. You should then see the LXI Welcome page on your Web browser on your computer screen.
10. For e*Scope, click the Instrument Control (e*Scope) link on the left side of the LXI Welcome page. You should then see a new tab (or window) open in your browser, showing the instrument screen. You can use the PC mouse to interact with the e*Scope screen and controls.

Using a Socket Server

A socket server provides two-way communication over an Internet Protocol-based computer network. You can use your instrument's socket server feature to let your instrument talk to a remote-terminal device or computer.

To set up and use a socket server between your instrument and a remote terminal or computer:

1. Connect the instrument to your computer network with an appropriate Ethernet cable.
2. Select the **Utility** drop-down menu.
3. Select the **I/O** menu.
4. Tap **Socket Server**.
5. On the resulting Socket Server panel, tap the top entry to toggle the Socket Server On.
6. Choose whether the protocol should be **None** or **Terminal**. A communication session run by a human at a keyboard typically uses a terminal protocol. An automated session might handle its own communications without using such a protocol.
7. If required, change the port number by rotating multipurpose knob **a**.
8. If required, press **OK** to set the new port number.

9. After setting up the socket server parameters, you can now have the computer “talk” to the instrument. If you are running an MS Windows PC, you could run its default client with its command-like interface. One way to do this is by typing “Telnet” in the Run window. The Telnet window will open on the PC.

NOTE. *On MS Windows 7, you must first enable Telnet in order for it to work.*

10. Start a terminal session between your computer and your instrument by typing in an open command with the instrument LAN address and port #. You can obtain the LAN address by pushing the LAN panel to view the resulting LAN setting panel. You can obtain the port # by tapping the **Socket Server** panel and viewing the **Port** item.

For example, if the instrument IP address was 123.45.67.89 and the port # was the default of 4000, you could open a session by writing into the MS Windows Telnet screen:

```
open 123.45.67.89 4000
```

The instrument will send a help screen to the computer when it is done connecting.

11. You can now type in a standard query, as found in the programmer manual, such as *i dn?

The Telnet session window will respond by displaying a character string describing your instrument. You can type in more queries and view more results on this Telnet session window. You can find the syntax for relevant queries and related status codes in other sections of this manual.

NOTE. *Do not use the computer's backspace key during an MS Windows' Telnet session with the instrument.*

Socket Server Terminal Protocol Mode Commands. Following are Tektronix Instrument Control Terminal Session Control commands:

!t <timeout> : set the response timeout in milliseconds.

!d : send device clear to the instrument.

!r : read response from instrument.

!h : print this usage info.

NOTE. *Commands containing a ? are treated as queries, and the responses are read automatically.*

Documentation Documentation for your instrument is available for download at www.tek.com.

Dynamic programmatic interface

This programmatic interface is dynamic. This means the instrument will not recognize certain commands until the objects referenced by those commands actually exist. For example, commands related to measurements are not recognized until measurements are added. Therefore, the response to a *LRN? query will not normally include the instrument's complete command set.

The following command groups are not available when the instrument is in its default state:

- Measurement
- Math
- Bus
- Search and Mark
- Plot

Adding an instance of one of those components will cause all commands related to that component to be recognized. For example, sending the [MEASUREMENT:ADDNew](#) command adds a measurement at which point the measurement commands will be recognized. Conversely, once all instances of a component have been deleted, the commands related to that component will no longer be recognized.

Implicit activation

When you send a command or query related to a dynamic object (such as Math1, Bus3, or Meas2) to the instrument and that instance does not yet exist, the instrument:

- creates a default instance with the name you specified
- adds all relevant commands and queries to the set of recognized commands
- responds to the command or query

Example 1 *RST followed by a *LRN? will not return any MATH<x> commands because in the default state, the instrument does not have any math waveforms. However querying :MATH:MATH1:DEFinition? will add MATH1 with the default math expression Ch1 - Ch2. Then the query will return the expected result. Note that if Ch1 or Ch2 is not active, they will be activated as part of this action. A *LRN issued after this will return MATH commands in addition to other available commands.

Example 2 *RST followed by :MEASUREMENT:MEAS3:TYPE? creates a measurement named MEAS3 and returns its type. Since the default type is Period, you will get Period as the response. A *LRN issued after this will return all MEASUREMENT:MEAS3 commands in addition to other available commands.

Not all commands in these groups start implicit activation. ADDNew, DELEte, and LIST commands do not result in implicit activation.

Creating, deleting, and listing dynamic instances

You can create a new default instance of a dynamic feature by using the ADDNew command. For example, :MEASUREMENT:ADDNew "Meas1" will create a new measurement named Meas1. Meas1 will be a Period measurement since the default type for measurements is Period. Note that you can change Meas1 type to any other supported type using :MEASUREMENT:MEAS1:TYPE command. The DELEte command deletes the named dynamic instance. For example :BUS:DELEte "B2" will delete a bus named B2 if it exists. You can delete only one instance at a time. The LIST command returns a list of all dynamic instances currently in existence. For example, if you have added three measurements named Meas1, Meas2 and Meas3, :MEASUREMENT:LIST? returns MEAS1, MEAS2, MEAS3.

Backwards Compatibility

4, 5, and 6/6B Series MSO instruments have implicit backwards compatibility built into the command set. Many commands from previous scope generations can be successfully processed by modern scopes. In particular, the MSO/DPO5000/7000/70000 command set has been partially migrated to the new generation. Use the following table to check if a legacy command is supported and how it will be interpreted by a 4/5/6 Series MSO.

The left column indicates the legacy command and the right column indicates the command that will be executed on a 4/5/6 Series MSO. Some functions on the scope have been simplified, so multiple legacy commands are mapped to a single modern command.

In addition to these implicit aliases, the 4/5/6 Series MSO also contain a PI Translator feature. This allows users to define custom command processing to improve compatibility with legacy automation code. Please refer to the Programming Interface Translator Technical Brief on tek.com for more information.

Legacy oscilloscope command	4/5/6 Series MSO command alias
:SV:SV<n>:UNIts	:SV:CH<n>:UNIts
:BUS:B<n>:AUDio:FRAMESync:SOURce	:BUS:B<n>:AUDio:WORDSel:SOURce

:BUS:B<n>:AUDIO:FRAMESync:POLarity	:BUS:B<n>:AUDIO:WORDSel:POLarity
:BUS:B<n>:AUTOETHERnet:SOURce:DIFFerential	:BUS:B<n>:AUTOETHERnet:SOURce
:BUS:B<n>:AUTOETHERnet:LOWerthreshold	:BUS:B<n>:AUTOETHERnet:LOWTHRESHold
:BUS:B<n>:CAN:BITRate:VALue	:BUS:B<n>:CAN:BITRate:CUSTom
:BUS:B<n>:CAN:FD:BITRate:VALue	:BUS:B<n>:CAN:FD:BITRate:CUSTom
:MEASUrement:MEAS<n>:EDGEQUALifier	:MEASUrement:MEAS<n>:SOURce<n>
:MEASUrement:MEAS<n>:ACQTime	:MEASUrement:MEAS<n>:WAITTime
:BUS:B<n>:ETHERnet:SOURce:DIFFerential	:BUS:B<n>:ETHERnet:SOURce
:BUS:B<n>:ETHERnet:LOWerthreshold	:BUS:B<n>:ETHERnet:LOWTHRESHold
:BUS:B<n>:THReshold	:BUS:B<n>:FLEXray:THRESHold
:BUS:B<n>:LOWerthreshold	:BUS:B<n>:FLEXray:LOWTHRESHold
:DPOJET:GATing	:MEASUrement:MEAS<n>:GATing
:BUS:B<n>:I2C:SCLk:SOURce	:BUS:B<n>:I2C:CLOCK:SOURce
:BUS:B<n>:I2C:ADDRess:RWINClude	:BUS:B<n>:I2C:DATA:SOURce
:BUS:B<n>:I3C:SCLk:SOURce	:BUS:B<n>:I3C:CLOCK:SOURce
:BUS:B<n>:I3C:SDAta:SOURce	:BUS:B<n>:I3C:DATA:SOURce
:MEASUrement:MEAS<n>:FUNDAMENTALFreq	:MEASUrement:MEAS<n>:FREQ
:BUS:B<n>:LIN:VALue	:BUS:B<n>:LIN:BITRate:CUSTom
:MATH:MATH<n>:SPECTral:UNWRap	:MATH:MATH<n>:SPECTral:WRAP:STATE
:MATH:MATH<n>:SPECTral:UNWRap:DEGrees	:MATH:MATH<n>:SPECTral:WRAP:DEGrees
:BUS:B<n>:MDIO:SCLOCK:SOURce	:BUS:B<n>:MDIO:CLOCK:SOURce
:BUS:B<n>:MDIO:SDATA:SOURce	:BUS:B<n>:MDIO:DATA:SOURce
:DPOJET:DIRacmodel	:MEASUrement:DIRacmodel
:DPOJET:JITTermodel	:MEASUrement:JITTermodel
:DPOJET:MINBUJUI	:MEASUrement:MINUI
:DPOJET:INTERp	:MEASUrement:INTERp
:BUS:B<n>:MIL1553B:LOWerthreshold	:BUS:B<n>:MIL1553B:LOWTHRESHold
:DPOJET:PLOT<n>:SPECTrum:HORizontal:SCALE	:PLOT:PLOT<n>:SPECTrum:HORizontal:SCALE
:DPOJET:PLOT<n>:SPECTrum:BASE	:PLOT:PLOT<n>:SPECTrum:BASE
:DPOJET:PLOT<n>:BATHtub:BER	:PLOT:PLOT<n>:BATHtub:BER
:BUS:B<n>:RS232C:TX:SOURce	:BUS:B<n>:RS232C:SOURce
:BUS:B<n>:RS232C:TX:SOURce:THReshold	:BUS:B<n>:RS232C:SOURce:THReshold
:SEARCH:SEARCH<n>:TRIGger:A:WINDow:POLarity	:SEARCH:SEARCH<n>:TRIGger:A:WINDow:CROSSIng
:BUS:B<n>:SPACEWIRe:SDAta:SOURce	:BUS:B<n>:SPACEWIRe:DATA:SOURce

:BUS:B<n>:SPACEWIRE:SSTRobe:SOURce	:BUS:B<n>:SPACEWIRE:STRobe:SOURce
:BUS:B<n>:SPI:SCLk:SOURce	:BUS:B<n>:SPI:CLOCK:SOURce
:BUS:B<n>:SPI:MOSi:INPut	:BUS:B<n>:SPI:DATA:SOURce
:BUS:B<n>:SPI:SS:SOURce	:BUS:B<n>:SPI:SELEct:SOURce
:BUS:B<n>:SPI:MOSi:THReshold	:BUS:B<n>:SPI:DATA:THReshold
:BUS:B<n>:SPI:SCLk:POLarity	:BUS:B<n>:SPI:CLOCK:POLarity
:BUS:B<n>:SPI:MOSi:DATA:POLarity	:BUS:B<n>:SPI:DATA:POLarity
:BUS:B<n>:SPI:SS:POLarity	:BUS:B<n>:SPI:SELEct:POLarity
:TRIGger:A B:BUS:B<n>:SPI:DATA:IN:VALue	:TRIGger:A B:BUS:B<n>:SPI:DATA:VALue
:TRIGger:A B:BUS:B<n>:SPI:DATA:MISO:VALue	
:TRIGger:A B:BUS:B<n>:SPI:DATA:OUT:VALue	
:TRIGger:A B:BUS:B<n>:SPI:DATA:MOSI:VALue"	
:BUS:B<n>:SPMI:SCLk:SOURce	:BUS:B<n>:SPMI:SCLk:SOURce
:BUS:B<n>:SPMI:SDAta:SOURce	:BUS:B<n>:SPMI:SDAta:SOURce
:BUS:B<n>:SVID:SCLOCK:SOURce	:BUS:B<n>:SVID:CLOCK:SOURce
:BUS:B<n>:SVID:SDATA:SOURce	:BUS:B<n>:SVID:DATA:SOURce
:MEASUrement:MEAS<n>:DELay:DIREction	:MEASUrement:MEAS<n>:TOEDGESEARCHDIRec
:BUS:B<n>:USB:SOURce:DIFFerential	:BUS:B<n>:USB:SOURce
:BUS:B<n>:USB:LOWerthreshold	:BUS:B<n>:USB:LOWTHRESHold
:TRIGger:A B:BUS:B<n>:USB:QUALifier	:TRIGger:A B:BUS:B<n>:USB:DATA:QUALifier
:MATH:MATH<n>:POSITION	:DISplay:WAVEView<n>:MATH:MATH<n>:VERTical:POSition
:MATH:MATH<n>:SCALE	:DISplay:WAVEView<n>:MATH:MATH<n>:VERTical:SCALE
:REF:REF<n>:POSITION	:DISplay:WAVEView<n>:REF:REF<n>:VERTical:POSition
:REF:REF<n>:SCALE	:DISplay:WAVEView<n>:REF:REF<n>:VERTical:SCALE
:HORizontal:FASTframe:SELECTED:REF<n>	:DISplay:WAVEView<n>:REF:REF<n>:FRAME
:CURSor:VBArS:POSITIONA	:DISplay:WAVEView<n>:CURSor:CURSOR:VBArS:APOSition
:CURSor:VBArS:POSA"	
:CURSor:VBArS:POSITIONB	:DISplay:WAVEView<n>:CURSor:CURSOR:VBArS:BPOSition
:CURSor:VBArS:POSB"	
:CURSor:HBArS:POSITIONA	:DISplay:WAVEView<n>:CURSor:CURSOR:HBArS:APOSition
:CURSor:HBArS:POSITIONB	:DISplay:WAVEView<n>:CURSor:CURSOR:HBArS:BPOSition
:CURSor:SCREEN:XPOSITIONA	:DISplay:WAVEView<n>:CURSor:CURSOR:SCREEN:AXPOSition
:CURSor:SCREEN:XPOSITIONB	:DISplay:WAVEView<n>:CURSor:CURSOR:SCREEN:BXPOSition
:CURSor:SCREEN:YPOSITIONA	:DISplay:WAVEView<n>:CURSor:CURSOR:SCREEN:AYPOSition

:CURSor:SCREEN:YPOSITIONB	:DISPlay:WAVEView<n>:CURSor:CURSOR:SCREEN:BYPOSITION
:CURSor:WAVEform:POSITIONA	:DISPlay:WAVEView<n>:CURSor:CURSOR:WAVEform:APOSITION
:CURSor:WAVEform:POSITIONB	:DISPlay:WAVEView<n>:CURSor:CURSOR:WAVEform:BPOSITION
:CURSor:SOURCEA	:DISPlay:WAVEView<n>:CURSor:CURSOR:ASOURCE
:CURSor:SOURCEB	:DISPlay:WAVEView<n>:CURSor:CURSOR:BSOURCE
:CURSor:VBArS:UNItS	:DISPlay:WAVEView<n>:CURSor:CURSOR:VBArS:UNItS
:CURSor:HBArS:UNItA	:DISPlay:WAVEView<n>:CURSor:CURSOR:HBArS:AUNItS
:CURSor:HBArS:UNItA	:DISPlay:WAVEView<n>:CURSor:CURSOR:HBArS:AUNItS
:CURSor:HBArS:UNItS	
:CURSor:HBArS:UNItB	:DISPlay:WAVEView<n>:CURSor:CURSOR:HBArS:BUNItS
:CURSor:VBArS:ALTErNATEA	:DISPlay:WAVEView<n>:CURSor:CURSOR:VBArS:ALTErNATEA
:CURSor:VBArS:ALTErNATEB	:DISPlay:WAVEView<n>:CURSor:CURSOR:VBArS:ALTErNATEB
:CURSor:VBArS:DELTA	:DISPlay:WAVEView<n>:CURSor:CURSOR:VBArS:DELTA
:CURSor:WAVEform:HDELTA"	:DISPlay:WAVEView<n>:CURSor:CURSOR:HBArS:DELTA
:CURSor:HBArS:DELTA	
:CURSor:WAVEform:VDELTA"	:DISPlay:WAVEView<n>:CURSor:CURSOR:VBArS:DELTA
:CURSor:VBArS:DELTA	
:CURSor:DDT	:DISPlay:WAVEView<n>:CURSor:CURSOR:DDT
:CURSor:ONEOVERDELTAVALUE	:DISPlay:WAVEView<n>:CURSor:CURSOR:ONEOVERDELTAVALUE
:CURSor:FUNCTion	:DISPlay:WAVEView<n>:CURSor:CURSOR:FUNCTion
:CURSor:STATE	:DISPlay:WAVEView<n>:CURSor:CURSOR:STATE
:CURSor:CURSOR:STATE"	
:CURSor:MODE	:DISPlay:WAVEView<n>:CURSor:CURSOR:MODE
:BUS:B<n>:POSITION	:DISPlay:WAVEView<n>:BUS:B<n>:VERTical:POSITION
:ZOOM:HORizontal:POSITION	:DISPlay:WAVEView<n>:ZOOM:ZOOM<n>:HORizontal:POSITION
:ZOOM:ZOOM<n>:HORizontal:POSITION"	
:ZOOM:HORizontal:SCALE	:DISPlay:WAVEView<n>:ZOOM:ZOOM<n>:HORizontal:SCALE
:ZOOM:ZOOM<n>:HORizontal:SCALE"	
:ZOOM:VERTical:POSITION	:DISPlay:WAVEView<n>:ZOOM:ZOOM<n>:VERTical:POSITION
:ZOOM:ZOOM<n>:VERTical:POSITION"	
:ZOOM:VERTical:SCALE	:DISPlay:WAVEView<n>:ZOOM:ZOOM<n>:VERTical:SCALE
:ZOOM:ZOOM<n>:VERTical:SCALE"	
:ZOOM:STATE	:DISPlay:WAVEView<n>:ZOOM:ZOOM<n>:STATE
:ZOOM:ZOOM<n>:STATE"	

:FASTAcq:PALEtte	:ACQUIRE:FASTAcq:PALEtte
:BUS:B<n>:STATE	:DISPLAY:GLOBAL:B<n>:STATE
CH1:STATE	DISPLAY:GLOBAL:CH1:STATE
:MATH:MATH<n>:STATE	:DISPLAY:GLOBAL:MATH<n>:STATE
:REF:REF<n>:STATE	:DISPLAY:GLOBAL:REF<n>:STATE
:REM:REM<n>:STATE	:DISPLAY:GLOBAL:REM<n>:STATE
:PLOT:PLOT<n>:STATE	:DISPLAY:GLOBAL:PLOT<n>:STATE
:DISPLAY:INTENSITY:WAVEform(:ANALYSIS :FASTAcq)	:DISPLAY:WAVEView<n>:INTENSITY:WAVEform
:DISPLAY:INTENSITY:GRATICule	:DISPLAY:WAVEView<n>:INTENSITY:GRATICule
:DISPLAY:STYLE	:DISPLAY:WAVEView<n>:STYLE
:DISPLAY:GRATICule	:DISPLAY:WAVEView<n>:GRATICule
:DISPLAY:FILTer	:DISPLAY:WAVEView<n>:FILTer
:DISPLAY:VIEWStyle	:DISPLAY:WAVEView<n>:VIEWStyle
:HORIZONTAL:DELAy:POSITION	:HORIZONTAL:POSITION
:HORIZONTAL:MAIn:POSITION"	
:HORIZONTAL:DELAy:POSITION	
:HORIZONTAL:MODE:SCALE	:HORIZONTAL:SCALE
:HORIZONTAL:SECdiv	
:HORIZONTAL:MAIn:SCALE	
:HORIZONTAL:MAIn:SECdiv	
:HORIZONTAL:DELAy:SCALE	
:HORIZONTAL:DELAy:SECdiv"	
:HORIZONTAL:MAIn:UNIts:STRing	:HORIZONTAL:MAIn:UNIts
:HORIZONTAL:DELAy:STATE	:HORIZONTAL:DELAy:MODE
:HORIZONTAL:MAIn:DELAy:MODE"	
:HORIZONTAL:DELAy:TIME(:RUNSAfter :TRIGAAfter)	:HORIZONTAL:DELAy:TIME
:HORIZONTAL:MAIn:DELAy:TIME"	
:CH1:VOLTS	CH1:SCALE
:HORIZONTAL:MODE:SAMPLERate	:HORIZONTAL:SAMPLERate
:HORIZONTAL:MAIn:SAMPLERate	
:HORIZONTAL:DIGital:SAMPLERate	
:HORIZONTAL:DIGital:SAMPLERate:MAIn"	

:HORizontal:MODE:RECOrdlength	:HORizontal:RECOrdlengt
:HORizontal:RESOLution	
:HORizontal:DIGital:RECOrdlength	
:HORizontal:DIGital:RECOrdlength:MAIn	
:HORizontal:ACQLENGTH"	
:FASTAcq:STATE	:ACQuire:FASTAcq:STATE
:SAVEON:WAVEform:FILEFormat	:SAVEONEVent:WAVEform:FILEFormat
:SAVEON:WAVEform:SOURce	:SAVEONEVent:WAVEform:SOURce
:SAVEON:IMAGe:FILEFormat	:SAVEONEVent:IMAGe:FILEFormat
:SAVEON:FILE:NAME	:SAVEONEVent:FILEName
:SAVEON:FILE:NAME	:SAVEONEVent:FILEName
:TRIGger:A B:PULse:WIDth:WHEn	:TRIGger:A B:PULSEWidth:WHEn
:TRIGger:A B:PULse:WIDth:POLarity	:TRIGger:A B:PULSEWidth:POLarity
:TRIGger:A B:PULse:WIDth:HIGHLimit	:TRIGger:A B:PULSEWidth:HIGHLimit
:TRIGger:A B:PULse:WIDth:LOWLimit	:TRIGger:A B:PULSEWidth:LOWLimit
:TRIGger:A B:PULSEWidth:WIDth"	
:TRIGger:A B:VIDeo:SYNC	:TRIGger:A B:VIDeo:FIELD
:TRIGger:A B:PULse:RUNT:WHEn	:TRIGger:A B:RUNT:WHEn
:TRIGger:A B:PULse:RUNT:POLarity	:TRIGger:A B:RUNT:POLarity
:TRIGger:A B:PULse:RUNT:WIDth	:TRIGger:A B:RUNT:WIDth
:TRIGger:A B:PULse:TIMEOut:POLarity	:TRIGger:A B:TIMEOut:POLarity
:TRIGger:A B:PULse:TIMEOut:TIME	:TRIGger:A B:TIMEOut:TIME
:TRIGger:A B:RISEFall:SOURce	:TRIGger:A B:TRANSition:SOURce
:TRIGger:A B:RISEFall:WHEn	:TRIGger:A B:TRANSition:WHEn
:TRIGger:A B:PULse:TRANSition:WHEn"	
:TRIGger:A B:RISEFall:WHEn	:TRIGger:A B:TRANSition:WHEn
:TRIGger:A B:PULse:TRANSition:WHEn"	
:TRIGger:A B:RISEFall:POLarity	:TRIGger:A B:TRANSition:POLarity
:TRIGger:A B:PULse:TRANSition:POLarity"	
:TRIGger:A B:RISEFall:POLarity	:TRIGger:A B:TRANSition:POLarity
:TRIGger:A B:PULse:TRANSition:POLarity"	
:TRIGger:A B:RISEFall:DELTatime	:TRIGger:A B:TRANSition:DELTatime
:TRIGger:A B:PULse:TRANSition:DELTatime"	

:TRIGger:A B:RISEFall:DELtAtime	:TRIGger:A B:TRANSition:DELtAtime
:TRIGger:A B:PULse:TRANSition:DELtAtime"	
:TRIGger:A B:WINDow:POLarity	:TRIGger:A B:WINDow:CROSSIng
:TRIGger:A B:PULse:WINDow:POLarity"	
:TRIGger:A B:PULse:WINDow:WIDth	:TRIGger:A B:WINDow:WIDth
:TRIGger:A B:LOGIc:SETHold:CLOCK:SOURce	:TRIGger:A B:SETHold:CLOCK:SOURce
:TRIGger:A B:LOGIc:SETHold:CLOCK:EDGE	:TRIGger:A B:SETHold:CLOCK:EDGE
:TRIGger:A B:LOGIc:SETHold:SETTime	:TRIGger:A B:SETHold:SETTime
:TRIGger:A B:LOGIc:SETHold:HOLDTime	:TRIGger:A B:SETHold:HOLDTime
:TRIGger:A B:LOGIc:PATtern:WHEn	:TRIGger:A B:LOGIc:WHEn
:TRIGger:A B:LOGIc:PATtern:DELtAtime	:TRIGger:A B:LOGIc:DELtAtime
:TRIGger:A B:LOGIc:STATE:CLOCK:SOURce	:TRIGger:A B:LOGIc:INPut:CLOCK:SOURce
:TRIGger:A B:LOGIc:INPut:CLOCK:EDGE	:TRIGger:A B:LOGIc:POLarity
:TRIGger:B:RESET:SOURce	:TRIGger:B:RESET:EDGE:SOURce
:TRIGger:B:RESET:TIMEOut:TIME	:TRIGger:B:RESET:EDGE:LEVel
:TRIGger:B:RESET:TIMEOut	:TRIGger:B:RESET:TIMEOut:TIME
:TRIGger:A B:BUS:B<n>:AUTOETHERnet:QUALifier	:TRIGger:A B:BUS:B<n>:AUTOETHERnet:QUALifier
:TRIGger:A B:BUS:B<n>:AUTOETHERnet:MAC:TYPe:VALue	:TRIGger:A B:BUS:B<n>:AUTOETHERnet:MAC:LENGth:VALue
:TRIGger:A B:BUS:B<n>:AUTOETHERnet:MAC:TYPe:HIVALue	:TRIGger:A B:BUS:B<n>:AUTOETHERnet:MAC:LENGth:HIVALue
:TRIGger:A B:BUS:B<n>:CAN:ADDRess:MODE	:TRIGger:A B:BUS:B<n>:CAN:IDentifier:MODE
:TRIGger:A B:BUS:B<n>:CAN:ADDRess:VALue	:TRIGger:A B:BUS:B<n>:CAN:IDentifier:VALue
:TRIGger:A B:BUS:B<n>:ETHERnet:QUALifier	:TRIGger:A B:BUS:B<n>:ETHERnet:DATA:QUALifie
:TRIGger:A B:BUS:B<n>:ETHERnet:MAC:TYPe:VALue	:TRIGger:A B:BUS:B<n>:ETHERnet:MAC:LENGth:VALue
:TRIGger:A B:BUS:B<n>:ETHERnet:MAC:TYPe:HIVALue	:TRIGger:A B:BUS:B<n>:ETHERnet:MAC:LENGth:HIVALue
:TRIGger:A B:BUS:B<n>:EUSB:QUALifier	:TRIGger:A B:BUS:B<n>:EUSB:DATA:QUALifier
:TRIGger:A B:BUS:B<n>:EUSB:EOP:QUALifier	:TRIGger:A B:BUS:B<n>:EUSB:EOP:QUALifier
:TRIGger:A B:BUS:B<n>:EUSB:SYNC:QUALifier	:TRIGger:A B:BUS:B<n>:EUSB:SYNC:QUALifier
:TRIGger:A B:BUS:B<n>:PARAllel:VALue	:TRIGger:A B:BUS:B<n>:PARAllel:DATA:VALue
:TRIGger:A B:BUS:B<n>:RS232C:RX:DATA:VALue	:TRIGger:A B:BUS:B<n>:RS232C:DATA:VALue
:TRIGger:A B:BUS:B<n>:RS232C:RX:DATA:VALue	:TRIGger:A B:BUS:B<n>:RS232C:DATA:VALue
:TRIGger:A B:BUS:B<n>:RS232C:RX:DATA:SIZE	:TRIGger:A B:BUS:B<n>:RS232C:DATA:SIZE

Command Syntax

You can control the operations and functions of the instrument through the Ethernet port or the USB 3.0 super speed (SS) device port using commands and queries. The related topics listed below describe the syntax of these commands and queries. The topics also describe the conventions that the instrument uses to process them. See the *Command Groups* topic in the table of contents for a listing of the commands by command group, or use the index to locate a specific command.

Backus-Naur Form Notation

This documentation describes the commands and queries using Backus-Naur Form (BNF) notation. Refer to the following table for the symbols that are used.

Table 2-1: Symbols for Backus-Naur Form

Symbol	Meaning
< >	Defined element
=	Is defined as
	Exclusive OR
{ }	Group; one element is required
[]	Optional; can be omitted
. . .	Previous element(s) may be repeated

Command and Query Structure

Commands consist of set commands and query commands (usually called commands and queries). Commands modify instrument settings or tell the instrument to perform a specific action. Queries cause the instrument to return data and status information.

Some queries cause the instrument to return results with 9.91E+37. This result represents a NaN (Not a number) and may indicate an error in performing an instrument query operation.

Most commands have both a set form and a query form. The query form of the command differs from the set form by its question mark at the end. For example, the set command `ACQUIRE:MODE` has a query form `ACQUIRE:MODE?`. Not all commands have both a set and a query form. Some commands have set only and some have query only.

Messages

A command message is a command or query name followed by any information the instrument needs to execute the command or query. Command messages may contain five element types, defined in the following table.

Table 2-2: Command Message Elements

Symbol	Meaning
<Header>	This is the basic command name. If the header ends with a question mark, the command is a query. The header may begin with a colon (:) character. If the command is concatenated with other commands, the beginning colon is required. Never use the beginning colon with command headers beginning with a star (*).
<Mnemonic>	This is a header subfunction. Some command headers have only one mnemonic. If a command header has multiple mnemonics, a colon (:) character always separates them from each other.
<Argument>	This is a quantity, quality, restriction, or limit associated with the header. Some commands have no arguments while others have multiple arguments. A <space> separates arguments from the header. A <comma> separates arguments from each other.
<Comma>	A single comma is used between arguments of multiple-argument commands. Optionally, there may be white space characters before and after the comma.
<Space>	A white space character is used between a command header and the related argument. Optionally, a white space may consist of multiple white space characters.

Commands

Commands cause the instrument to perform a specific function or change one of the settings. Commands have the structure:

[:] <Header> [<Space> <Argument> [<Comma> <Argument>] . . .]

A command header consists of one or more mnemonics arranged in a hierarchical or tree structure. The first mnemonic is the base or root of the tree and each subsequent mnemonic is a level or branch off the previous one. Commands at a higher level in the tree may affect those at a lower level. The leading colon (:) always returns you to the base of the command tree.

Queries Queries cause the instrument to return status or setting information. Queries have the structure:

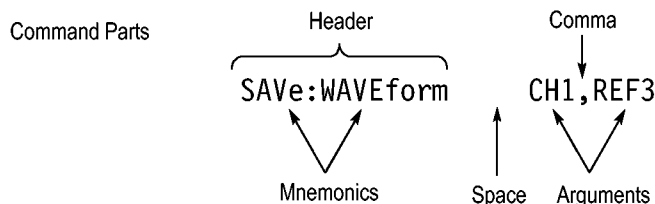
- [:] <Header>
- [:] <Header> [<Space> <Argument> [<Comma> <Argument>] . . .]

You can specify a query command at any level within the command tree unless otherwise noted. These branch queries return information about all the mnemonics below the specified branch or level.

Headers Use the HEADER command to control whether the instrument returns headers as part of the query response. If header is on, the query response returns command headers, then formats itself as a valid set command. When header is off, the response includes only the values. This may make it easier to parse and extract the information from the response. The table below shows the difference in responses.

Table 2-3: Comparison of Header Off and Header On Responses

Query	Header Off	Header On
TIME?	"14:30:00"	:TIME "14:30:00"
ACQUIRE:NUMAVG?	100	:ACQUIRE:NUMAVG 100



Clearing the instrument output queue

You can clear the Output Queue and reset the instrument a new command or query by using the selected Device Clear (DCL) function.

Command Entry

The following rules apply when entering commands:

- You can enter commands in upper or lower case.
- You can precede any command with white space characters. White space characters include any combination of the ASCII control characters 00 through 09 and 0B through 20 hexadecimal (0 through 9 and 11 through 32 decimal).
- The instrument ignores commands consisting of any combination of white space characters and line feeds.

Abbreviating You can abbreviate many instrument commands. Each command in this documentation shows the minimum acceptable abbreviations in capitals. For example, you can enter the command `ACQuire:NUMAVg` simply as `ACQ:NUMA` or `acq:numa`.

Abbreviation rules may change over time as new instrument models are introduced. Thus, for the most robust code, use the full spelling.

If you use the `HEADer` command to have command headers included as part of query responses, you can further control whether the returned headers are abbreviated or are full-length with the `VERBoSe` command.

Concatenating You can concatenate any combination of set commands and queries using a semicolon (;). The instrument executes concatenated commands in the order received.

When concatenating commands and queries, you must follow these rules:

1. Separate completely different headers by a semicolon and by the beginning colon on all commands except the first one. For example, the commands `TRIGger:A:MODE NORMAl` and `ACQuire:NUMAVg 8`, can be concatenated into the following single command:

```
TRIGger:A:MODE NORMAl;:ACQuire:NUMAVg 8
```

2. If concatenated commands have headers that differ by only the last mnemonic, you can abbreviate the second command and eliminate the beginning colon. For example, you can concatenate the commands `ACQuire:MODE ENVeLope` and `ACQuire:NUMAVg 8` into a single command:

```
ACQuire:MODE ENVeLope; NUMAVg 8
```

The longer version works equally well:

```
ACQuire:MODE ENVeLope;:ACQuire:NUMAVg 8
```

3. Never precede a star (*) command with a colon:

```
ACQuire:STATE 1;*OPC
```

Any commands that follow will be processed as if the star command was not there so the commands, `ACQuire:MODE ENVeLope;*OPC;NUMAVg 8` will set the acquisition mode to envelope and set the number of acquisitions for averaging to 8.

4. When you concatenate queries, the responses to all the queries are concatenated into a single response message. For example, if the display graticule is set to Full and the display style is set to dotsonly, the concatenated query `DISPlay:GRAtiCule?;STYle?` will return the following.

If the header is on:

```
DISPLAY:GRATICULE FULL;:DISPLAY:STYLE DOTSONLY
```

If the header is off:

FULL;DOTSONLY

1. Set commands and queries may be concatenated in the same message. For example,

ACQuire:MODE SAMple;NUMAVg?;STATE?

is a valid message that sets the acquisition mode to sample. The message then queries the number of acquisitions for averaging and the acquisition state. Concatenated commands and queries are executed in the order received.

Here are some invalid concatenations:

DISPlay:STYle DOTsonly OFF;ACQuire:NUMAVg 8 (no colon before ACQuire)

DISPlay:GRAticule FULL;:STYle DOTSONLY OFF (extra colon before STYle.

DISPlay:GRAticule FULL;:*TRG (colon before a star (*) command)

ACQUIRE:FASTACQ:PALETTE TEMPerature;FASTAcq:STATE ON (levels of the mnemonics are different; either remove the second use of FASTACQ: or place :ACQUIRE in front of FASTAcq:STATE)

Terminating This documentation uses <EOM> (End of Message) to represent a message terminator.

Table 2-4: End of Message Terminator

Symbol	Meaning
<EOM>	Message terminator

The end-of-message terminator must be the END message (EOI asserted concurrently with the last data byte). The last data byte may be an ASCII line feed (LF) character.

This instrument does not support ASCII LF only message termination. The instrument always terminates outgoing messages with LF and EOI.

Constructed Mnemonics

Some header mnemonics specify one of a range of mnemonics. For example, a channel mnemonic can be CH1, CH2, CH3, CH4, CH5, CH6, CH7, or CH8 depending on the number of FlexChannels in your instrument. You use these mnemonics in the command just as you do any other mnemonic. For example, there is a CH1:POSition command, and there is also a CH2:POSition command. In the command descriptions, this list of choices is abbreviated as CH<x>.

Bus Mnemonics Commands specify the bus to use as a mnemonic in the header.

Table 2-5: Bus Mnemonics

Symbol	Meaning
B<x>	A bus specifier; <x> is ≥1.

Channel Mnemonics Commands specify the channel to use as a mnemonic in the header.

Table 2-6: Channel Mnemonics

Symbol	Meaning
CH<x>	A channel specifier; <x> is 1 through 8 and is limited by the number of FlexChannels in your instrument.
CH<x>_D<x>	A digital channel specifier; <x> in CH<x> is 1 through 8 and is limited by the number of FlexChannels in your instrument. <x> in D<x> is 0 through 7. Together they define a FlexChannel digital input.

Cursor Position Mnemonics When cursors are displayed, commands may specify which cursor of the pair to use.

Table 2-7: Cursor Mnemonics

Symbol	Meaning
CURSOR<x>	A cursor selector; <x> is must be 1 or 2.

Math Specifier Mnemonics Commands can specify the mathematical waveform to use as a mnemonic in the header.

Table 2-8: Math Specifier Mnemonics

Symbol	Meaning
MATH<x>	A math waveform specifier; <x> is ≥1.

Measurement Specifier Mnemonics Commands can specify which measurement to set or query as a mnemonic in the header.

Table 2-9: Measurement Specifier Mnemonics

Symbol	Meaning
MEAS<x>	A measurement specifier; <x> is ≥1.

Reference Waveform Mnemonics Commands can specify the reference waveform to use as a mnemonic in the header.

Table 2-10: Reference Waveform Mnemonics

Symbol	Meaning
REF<x>	A reference waveform specifier; <x> is ≥ 1 .
REF<x>_D<x>	A digital reference waveform specifier; <x> is ≥ 1 .

View Mnemonics Commands can specify the view to use as a mnemonic in the header.

Table 2-11: Waveview Mnemonics

Symbol	Meaning
WAVEView<x>	A waveview specifier; <x> must be equal to 1.
PLOTView<x>	A plotview specifier; <x> must be equal to 1.
MATHFFTView<x>	A mathfftview specifier; <x> must be equal to 1.

Search Mnemonics Commands can specify a search to use as a mnemonic in the header.

Table 2-12: Search Mnemonics

Symbol	Meaning
SEARCH<x>	A Search specifier; <x> is ≥ 1 .

Zoom Mnemonics Commands can specify a zoom to use as a mnemonic in the header.

Table 2-13: Zoom Mnemonics

Symbol	Meaning
ZOOM<x>	A zoom specifier; <x> must be equal to 1.

Argument Types

Commands use arguments such as enumeration, numeric, quoted string and block. Each of these arguments are listed in detail below.

Enumeration Enter these arguments as unquoted text words. Like key words, enumeration arguments follow the same convention where the portion indicated in uppercase is required and that in lowercase is optional.

For example: ACQuire:MODe SAMPlE

Numeric Many instrument commands require numeric arguments. The syntax shows the format that the instrument returns in response to a query. This is also the preferred format when sending the command to the instrument, though any of the formats will be accepted. This documentation represents these arguments as described below.

Table 2-14: Numeric Arguments

Symbol	Meaning
<NR1>	Signed integer value
<NR2>	Floating point value without an exponent
<NR3>	Floating point value with an exponent
<bin>	Signed or unsigned integer in binary format

Most numeric arguments will be automatically forced to a valid setting, by either rounding or truncating, when an invalid number is input, unless otherwise noted in the command description.

Quoted String Some commands accept or return data in the form of a quoted string, which is simply a group of ASCII characters enclosed by a single quote (') or double quote ("). The following is an example of a quoted string: "This is a quoted string". This documentation represents these arguments as follows:

Table 2-15: Quoted String Argument

Symbol	Meaning
<QString>	Quoted string of ASCII text

A quoted string can include any character defined in the 7-bit ASCII character set. Follow these rules when you use quoted strings:

1. Use the same type of quote character to open and close the string. For example: "this is a valid string".
2. You can mix quotation marks within a string as long as you follow the previous rule. For example: "this is an 'acceptable' string".
3. You can include a quote character within a string by repeating the quote. For example: "here is a "" mark".
4. Strings can have upper or lower case characters.
5. A carriage return or line feed embedded in a quoted string does not terminate the string. The return is treated as another character in the string.
6. The maximum length of a quoted string returned from a query is 1000 characters.

Here are some invalid strings:

- "Invalid string argument" (quotes are not of the same type)
- "test<EOI>" (termination character is embedded in the string)

Block Some commands use a block argument form to define a range or type of value, as defined in the table below.

Table 2-16: Block Argument

Symbol	Meaning
<NZDig>	A nonzero digit character in the range of 1–9
<Dig>	A digit character, in the range of 0–9
<DChar>	A character with the hexadecimal equivalent of 00 through FF (0 through 255 decimal)
<Block>	A block of data bytes defined as: <Block> ::= {#<NZDig><Dig>[<Dig>...][<DChar>...]}#0[<DChar>...]<terminator>

<NZDig> specifies the number of <Dig> elements that follow. Taken together, the <NZDig> and <Dig> elements form a decimal integer that specifies how many <DChar> elements follow.

Command groups

The programmable interface conforms to Tektronix standard codes and formats except where noted. The interface also conforms to IEEE Std 488.2-1987 except where noted.

Acquisition command group

Acquisition commands set up the modes and functions that control how the instrument acquires signals and processes them into waveforms. Using these commands for acquiring waveforms, you can do the following:

- Start and stop acquisitions.
- Control whether each waveform is simply acquired, averaged, or enveloped over successive acquisitions of that waveform.
- Set the controls or conditions that start and stop acquisitions.
- Control acquisition of acquired channel waveforms.
- Set acquisition parameters.

Table 2-17: Acquisition commands

Command	Description
ACquire?	Queries the current acquisition state.
ACquire:FASTAcq:PALEtte	Sets or queries the waveform grading for fast acquisition mode.
ACquire:FASTAcq:STATE	Sets or queries the state of fast acquisition mode.
ACquire:FASTAVerage:LIMit	Limits the number of averages performed in hardware at 16-bit resolution.
ACquire:FASTAVerage:STATE	Sets or queries the state of HW accelerated averaging.
ACquire:FASTAVerage:STOPafter	Limits the total number of averages that will be accumulated.
ACquire:MAXSamplerate?	Returns the maximum real-time sample rate.
ACquire:MODE	Sets or queries the acquisition mode.
ACquire:NUMAcq?	Returns the number of waveform acquisitions that have occurred since starting acquisition with the <code>ACquire:STATE RUN</code> command.
ACquire:NUMAVg	Sets or queries number of acquisitions for an averaged waveform.
ACquire:SEquence:CURrent?	In single sequence acquisition mode, this query returns the number of acquisitions or measurements in the sequence completed so far.
ACquire:SEquence:MODE	In single sequence acquisition, the single sequence stop after count is based on number of acquisitions or measurements. Number of acquisitions is the only mode supported for this product.
ACquire:SEquence:NUMSEquence	In single sequence acquisition mode, specify the number of acquisitions or measurements that comprise the sequence.
ACquire:STATE	Starts, stops, or returns acquisition state.
ACquire:STOPAfter	Sets or queries whether the acquisition is continuous or single sequence.

Act On Event command group

Use this group of commands to program the instrument to perform an action on trigger, search, measurement limit, and mask test events.

Table 2-18: Act On Event commands

Command	Description
ACTONEvent:ENable	Enables or disables actions on event (AOE).
ACTONEvent:LIMit	Sets whether the act on event should limit the number of saves, so as not to fill the hard drive.
ACTONEvent:LIMITCount	If the number of act on event saves is limited, this command sets the limit.
ACTONEvent:MASKFail:ACTION:SAVEIMAGE:STATE	Save a screen capture when a mask test fails.
ACTONEvent:MASKFail:ACTION:SAVEWAVEform:STATE	Saves the user set source waveform(s) when a mask test fails.
ACTONEvent:MASKFail:ACTION:SRQ:STATE	Generates an SRQ event when a mask fails.
ACTONEvent:MASKFail:ACTION:STOPACQ:STATE	Stops acquisitions when a mask test fails.
ACTONEvent:MASKHit:ACTION:SAVEIMAGE:STATE	Saves a screen capture when a mask hit occurs.
ACTONEvent:MASKHit:ACTION:SAVEWAVEform:STATE	Saves the user set source waveform(s) when a mask hit occurs.
ACTONEvent:MASKHit:ACTION:SRQ:STATE	Generates an SRQ event when a mask hit occurs.
ACTONEvent:MASKHit:ACTION:STOPACQ:STATE	Stops acquisitions when a mask hit occurs.
ACTONEvent:MASKPass:ACTION:SAVEIMAGE:STATE	Saves a screen capture when a mask test passes.
ACTONEvent:MASKPass:ACTION:SAVEWAVEform:STATE	Saves the user set source waveform(s) when a mask test passes.
ACTONEvent:MASKPass:ACTION:SRQ:STATE	Generates an SRQ event when a mask passes
ACTONEvent:MASKPass:ACTION:STOPACQ:STATE	Stops acquisitions when a mask test passes.
ACTONEvent:MEASUrement:ACTION:SAVEIMAGE:STATE	Saves a screen capture when the user-set measurement limit is exceeded.
ACTONEvent:MEASUrement:ACTION:SAVEWAVEform:STATE	Saves the user set source waveform(s) when the user-set measurement limit is exceeded.
ACTONEvent:MEASUrement:ACTION:SRQ:STATE	Generates an SRQ event when any measurement triggers the user-defined measurement limits.
ACTONEvent:MEASUrement:ACTION:STOPACQ:STATE	Stops acquisitions when the user-set measurement limit is exceeded.
ACTONEvent:SEARCH:ACTION:SAVEIMAGE:STATE	Saves a screen capture when a search event is found.

Table 2-18: Act On Event commands (cont.)

Command	Description
ACTONEvent:SEARCH:ACTION:SAVEWAVEform:STATE	Saves the user set source waveform(s) when a search event is found.
ACTONEvent:SEARCH:ACTION:SRQ:STATE	Generates an SRQ event when any search event is found.
ACTONEvent:SEARCH:ACTION:STOPACQ:STATE	Stops acquisitions when a search event is found.
ACTONEvent:TRIGger:ACTION:SAVEIMAGe:STATE	Saves a screen capture on a trigger event from a single sequence or sequence of N acquisition.
ACTONEvent:TRIGger:ACTION:SAVEWAVEform:STATE	Saves the user set source waveform(s) on a trigger event from a single sequence or sequence of N acquisition.
ACTONEvent:TRIGger:ACTION:SRQ:STATE	Generates an SRQ event when a trigger event occurs.
ACTONEvent:TRIGger:ACTION:STOPACQ:STATE	Stops acquisitions on a trigger event from a single sequence or sequence of N acquisition.
SAVEONEvent:FILEDest	Sets or queries the file path.
SAVEONEvent:FILEName	Sets or queries the file name without the extension.
SAVEONEvent:IMAGe:FILEFormat	Sets or returns the file extension (png, jpg, bmp).
SAVEONEvent:WAVEform:FILEFormat	Sets or returns the file extension (csv, wfm, mat).
SAVEONEvent:WAVEform:SOUrce	Sets or returns the sources for saving waveforms when an event occurs.

AFG Command Group

Use the AFG commands for Arbitrary Function Generator functionality. Requires option AFG.

Table 2-19: AFG commands

Command	Description
AFG:AMPLitude	Sets (or queries) the AFG amplitude in volts, peak to peak.
AFG:ARBitrary:SOUrce	Sets or queries the source name for the Arbitrary Waveform.
AFG:BURSt:CCOUnt	Sets or returns the cycle count for AFG burst mode.
AFG:BURSt:TRIGger	Triggers a burst on AFG output.
AFG:FREQuency	Sets (or queries) the AFG frequency, in Hz.
AFG:FUNcTion	Sets (or queries) which AFG function to execute.
AFG:HIGHLevel	Sets (or queries) the high level value of the output waveform, in volts.
AFG:LOWLevel	Sets (or queries) the low level value of the output waveform, in volts.
AFG:NOISEAdd:PERCent	Sets (or queries) the AFG additive noise level as a percentage.
AFG:NOISEAdd:STATE	Sets (or queries) the AFG additive noise state.
AFG:OFFSet	Sets (or queries) the AFG offset value, in volts.
AFG:OUTPut:LOAd:IMPEDance	Sets (or queries) the AFG output load impedance.

Table 2-19: AFG commands (cont.)

Command	Description
AFG:OUTPut:MODE	Sets or returns the AFG output mode.
AFG:OUTPut:STATE	Sets (or queries) the AFG output state.
AFG:PERiod	Sets (or queries) the period of the AFG waveform, in seconds.
AFG:PULse:WIDTH	Sets (or queries) the AFG pulse width, in seconds.
AFG:RAMP:SYMmetry	Sets (or queries) the AFG ramp symmetry as a percentage.
AFG:SQUare:DUty	Sets (or queries) the AFG duty cycle, as a percentage.

Alias command group

Alias commands allow you to define new commands as a sequence of standard commands. You might find this useful when repeatedly using the same commands to perform certain tasks like setting up measurements.

Aliases are similar to macros but do not include the capability to substitute parameters into alias bodies. The alias mechanism obeys the following rules:

- The alias name must consist of a valid IEEE 488.2 message unit, which may not appear in a message preceded by a colon, comma, or a command or query program header.
- The alias name may not appear in a message followed by program date, a colon, comma, or question mark.
- An alias name must be distinct from any keyword or keyword short form.
- An alias name cannot be redefined without first being deleted using one of the alias deletion functions.
- Alias names do not appear in response messages.
- The Alias commands are defined in Tektronix Standard Codes and Formats. Deviations between that standard and what is specified here will be considered errors unless specifically noted in the command description in this document.

Table 2-20: Alias commands

Command	Description
ALias	Sets or queries the alias state.
ALias:CATalog?	Returns a list of the currently defined alias labels.
ALias:DEFine	Assigns a sequence of program messages to an alias label.
ALias:DELEte	Removes a specified alias.
ALias:DELEte:ALL	Deletes all existing aliases.
ALias:DELEte:NAME	Removes a specified alias.
ALias:STATE	Sets or queries the alias state.

Bus command group

Use the commands in the Bus Command Group to configure a bus. These commands let you:

- Specify the bus type.
- Specify the signals to be used in the bus.
- Specify its display style.

NOTE. *Bus commands are present once a bus has been added.*

Bus Mnemonics Commands specify the bus to use as a mnemonic in the header.

Table 2-21: Bus mnemonics

Symbol	Meaning
B<x>	A bus specifier; <x> is ≥1.

Table 2-22: Bus commands

Command	Description
BUS:ADDNew	Adds the specified bus.
BUS:B<x>:ARINC429A:SOUrce	Sets or queries the source for the specified ARINC429 bus.
BUS:B<x>:ARINC429A:THRESHold	Sets or queries the ARINC429 upper threshold for the specified bus.
BUS:B<x>:ARINC429A:POLARITY	Sets or queries the source polarity for the specified ARINC429 bus.
BUS:B<x>:ARINC429A:DATAFORmat	Sets or queries the format of the DATA field for the specified ARINC429 bus.
BUS:B<x>:ARINC429A:BITRate	Sets or queries the ARINC429 bit rate for the specified bus.
BUS:B<x>:ARINC429A:BITRate:CUSTom	Sets or queries the ARINC429 custom bit rate for the specified bus.
BUS:B<x>:AUDio:BITDelay	Sets or queries the number of delay bits for the specified AUDIO bus.
BUS:B<x>:AUDio:BITOrder	Specifies the bit order for the specified AUDIO bus.
BUS:B<x>:AUDio:CLOCK:POLarity	Sets or queries the clock polarity for the specified AUDIO bus.
BUS:B<x>:AUDio:CLOCK:SOUrce	Sets or queries the clock source waveform for the specified AUDIO bus.
BUS:B<x>:AUDio:CLOCK:THReshold	Sets or queries the Audio Clock source threshold for the specified bus.
BUS:B<x>:AUDio:DATA:POLarity	Specifies the data polarity for the specified AUDIO bus.
BUS:B<x>:AUDio:DATA:SIZE	Specifies the number of bits per word for the specified AUDIO bus.
BUS:B<x>:AUDio:DATA:SOUrce	Specifies the audio data source waveform for the specified AUDIO bus.
BUS:B<x>:AUDio:DATA:THReshold	Sets or queries the Audio Data source threshold for the specified bus.
BUS:B<x>:AUDio:DATA:WORDSize	Sets or queries the Audio bits per word for the specified bus.
BUS:B<x>:AUDio:FRAME: CLOCKBITSPERCHANNEL	Sets or queries the Audio bits of sync width for the specified bus.
BUS:B<x>:AUDio:FRAME:SIZE	Specifies the number of channels in each frame for the specified AUDIO bus.
BUS:B<x>:AUDio:TYPE	Specifies the audio format (type) for the specified AUDIO bus.

Table 2-22: Bus commands (cont.)

Command	Description
BUS:B<x>:AUDio:WORDSel:POLarity	Sets or queries the word select polarity for the specified AUDIO bus.
BUS:B<x>:AUDio:WORDSel:SOUrce	Specifies the word select source waveform for the AUDIO bus.
BUS:B<x>:AUDio:WORDSel:THReshold	Sets or queries the Audio Word Select source threshold for the specified bus.
BUS:B<x>:AUTOETHERnet:BITRate	Sets or queries bitrate for Auto Ethernet Bus with speed 10 Base-T1S.
BUS:B<x>:AUTOETHERnet:DATAMINUSTHRESHOLD	Sets or queries the AutoEthernet D- source threshold level for the specified bus.
BUS:B<x>:AUTOETHERnet:DATAPLUSTHRESHold	Sets or queries the AutoEthernet D+ source threshold level for the specified bus.
BUS:B<x>:AUTOETHERnet:LOWDATAMINus	Sets or queries the AutoEthernet D- source low threshold level for the specified bus.
BUS:B<x>:AUTOETHERnet:LOWDATAPLUS	Sets or queries the AutoEthernet D+ source low threshold level for the specified bus.
BUS:B<x>:AUTOETHERnet:LOWTHRESHold	Sets or queries the AutoEthernet Data source Low threshold level for the specified bus.
BUS:B<x>:AUTOETHERnet:PACKetview	Sets or queries the Auto Ethernet bus Packet View when speed is selected as 10 Base-T1S.
BUS:B<x>:AUTOETHERnet:SIGNALTYpe	Sets or queries the AutoEthernet signal type for the specified bus.
BUS:B<x>:AUTOETHERnet:SOUrce	Sets or queries the AutoEthernet data (SDATA) source for the specified bus.
BUS:B<x>:AUTOETHERnet:SOUrce:DMINus	Sets or queries the AutoEthernet D- source for the specified bus.
BUS:B<x>:AUTOETHERnet:SOUrce:DPLUs	Sets or queries the AutoEthernet D+ source for the specified bus.
BUS:B<x>:AUTOETHERnet:TBT1s:MTHReshold	Sets or queries Auto Ethernet Bus with speed 10 Base-T1S math source threshold for single-ended.
BUS:B<x>:AUTOETHERnet:TENBASET1S:THRESHold	Sets or queries Auto Ethernet Bus with speed 10 Base-T1S differential source threshold.
BUS:B<x>:AUTOETHERnet:THRESHold	Sets or queries the AutoEthernet DATA source High threshold level for the specified bus.
BUS:B<x>:AUTOETHERnet:TYPe	Sets or queries the AutoEthernet standard speed.
BUS:B<x>:CAN:BITRate	Sets or queries the CAN bit rate.
BUS:B<x>:CAN:BITRate:VALue	Sets or queries CAN bit rate.
BUS:B<x>:CAN:FD:BITRate	Sets or queries the increased data phase bit rate used by CAN FD packets on the specified CAN bus.
BUS:B<x>:CAN:FD:BITRate:CUSTom	Sets or queries the custom bit rate for the increased data phase of CAN FD packets on the specified CAN bus.
BUS:B<x>:CAN:SAMPLEpoint	Sets or queries the sample point for the specified CAN bus.
BUS:B<x>:CAN:SIGNAL	Sets or queries the signal type for the specified CAN bus.
BUS:B<x>:CAN:SOUrce	Sets or queries the CAN source channel.
BUS:B<x>:CAN:STANDard	Sets or queries which CAN standard specification to analyze the specified CAN bus with.
BUS:B<x>:CAN:THReshold	Sets or queries the source channel threshold for the specified CAN bus.
BUS:B<x>:CAN:XL:BITRate	Sets or queries the bit rate for the CAN XL bus.

Table 2-22: Bus commands (cont.)

Command	Description
BUS:B<x>:CAN:XL:BITRate:CUSTom	Sets or queries the custom bit rate for the CAN XL bus.
BUS:B<x>:CPHY:A:DATA:THRESHold	Sets or queries the CPHY Single Ended A source threshold for the specified bus.
BUS:B<x>:CPHY:A:LP:THRESHold	Sets or queries the CPHY Single Ended A LP threshold for the specified bus.
BUS:B<x>:CPHY:A:SOUrce	Sets or queries the CPHY Single Ended A source for the specified bus line.
BUS:B<x>:CPHY:AB:SOUrce	Sets or queries the CPHY differential AB source for the specified bus line.
BUS:B<x>:CPHY:AB:THReshold	Sets or queries the CPHY differential AB source threshold for the specified bus.
BUS:B<x>:CPHY:AGND:SOUrce	Sets or queries the CPHY differential AGND source for the specified bus line.
BUS:B<x>:CPHY:AGND:THReshold	Sets or queries the CPHY differential AGND source threshold for the specified bus.
BUS:B<x>:CPHY:B:DATA:THRESHold	Sets or queries the CPHY Single Ended B source threshold for the specified bus.
BUS:B<x>:CPHY:B:SOUrce	Sets or queries the CPHY Single Ended B source for the specified bus line.
BUS:B<x>:CPHY:BC:SOUrce	Sets or queries the CPHY differential BC source for the specified bus line.
BUS:B<x>:CPHY:BC:THReshold	Sets or queries the CPHY differential BC source threshold for the specified bus.
BUS:B<x>:CPHY:BITRate	Sets or queries the bit rate for the specified CPHY bus.
BUS:B<x>:CPHY:C:DATA:THRESHold	Sets or queries the CPHY Single Ended C source threshold for the specified bus.
BUS:B<x>:CPHY:C:LP:THRESHold	Sets or queries the CPHY Single Ended C LP threshold for the specified bus.
BUS:B<x>:CPHY:C:SOUrce	Sets or queries the CPHY Single Ended C source for the specified bus line.
BUS:B<x>:CPHY:CA:SOUrce	Sets or queries the CPHY differential CA source for the specified bus line.
BUS:B<x>:CPHY:CA:THReshold	Sets or queries the CPHY differential CA source threshold for the specified bus.
BUS:B<x>:CPHY:CGND:SOUrce	Sets or queries the CPHY differential CGND source for the specified bus line.
BUS:B<x>:CPHY:CGND:THReshold	Sets or queries the CPHY differential CGND source threshold for the specified bus.
BUS:B<x>:CPHY:LP:DIRection	Sets or queries the CPHY bus direction in low power.
BUS:B<x>:CPHY:SIGNALTYpe	Sets or queries the signal type for CPHY bus decode.
BUS:B<x>:CPHY:SUBTYPe	Sets or queries the sub type for CPHY bus decode.
BUS:B<x>:CXPI:BITRate	Sets or queries the bit rate for the specified CXPI bus.
BUS:B<x>:CXPI:REC:THReshold	Sets or queries the source channel recessive threshold for the specified CXPI bus.
BUS:B<x>:CXPI:SOUrce	Sets or queries the source channel for the specified CXPI bus.
BUS:B<x>:DISplay:FORMat	Sets or queries how the data is represented in the busform for the specified bus.
BUS:B<x>:DISplay:LAYout	This command sets or queries the format a bus layer should use.
BUS:B<x>:DPHY:CLOCK:SOUrce	Sets or queries the DPHY Clock source for the specified bus line.
BUS:B<x>:DPHY:CLOCK:THRESHold	Sets or queries the DPHY Clock source threshold for the specified bus.
BUS:B<x>:DPHY:DMINus:DATATHRESHold	Sets or queries the DPHY D- source data threshold for the specified bus.
BUS:B<x>:DPHY:DMINus:LPTHRESHold	Sets or queries the DPHY D- source low power threshold for the specified bus.

Table 2-22: Bus commands (cont.)

Command	Description
BUS:B<x>:DPHY:DMINus:SOUrce	Sets or queries the DPHY D- source for the specified bus line.
BUS:B<x>:DPHY:DPlus:DATATHRESHold	Sets or queries the D+ source data threshold for the specified bus.
BUS:B<x>:DPHY:DPlus:LPTHRESHold	Sets or queries the DPHY D+ source low power threshold for the specified bus.
BUS:B<x>:DPHY:DPlus:SOUrce	Sets or queries the DPHY D+ source for the specified bus line.
BUS:B<x>:DPHY:LP:DIRectioN	Sets or queries the DPHY bus direction in low power.
BUS:B<x>:DPHY:PROTOcol:TYPE	Sets or queries the protocol type for DPHY bus decode.
BUS:B<x>:DPHY:SIGNAL:ENCoding	Sets or queries the 8b9b encoding for DPHY bus decode.
BUS:B<x>:ESPI:ALERT:POLarity	Sets or queries the ESPI alert polarity for the specified bus.
BUS:B<x>:ESPI:ALERT:SOUrce	Sets or queries the alert source for the specified bus.
BUS:B<x>:ESPI:ALERT:THReshold	Sets or queries the alert source threshold for the specified bus.
BUS:B<x>:ESPI:ALERTVIEW	Sets or queries the ESPI alert view for the specified bus.
BUS:B<x>:ESPI:CHIPSElect:POLarity	Sets or queries the ESPI chip select polarity for the specified bus.
BUS:B<x>:ESPI:CHIPSElect:SOUrce	Sets or queries the chip select source for the specified bus.
BUS:B<x>:ESPI:CHIPSElect:THReshold	Sets or queries the chip select source threshold for the specified bus.
BUS:B<x>:ESPI:CLOCK:POLarity	Sets or queries the ESPI Clock (SCLK) source polarity for the specified bus.
BUS:B<x>:ESPI:CLOCK:SOUrce	Sets or queries the clock source for the specified bus.
BUS:B<x>:ESPI:CLOCK:THReshold	Sets or queries the clock source threshold for the specified bus.
BUS:B<x>:ESPI:DATAONE:POLarity	Sets or queries the ESPI command (single mode)/ IO[0] (dual mode) Data polarity for the specified bus.
BUS:B<x>:ESPI:CLOCK:SOUrce	Sets or queries the command (single mode)/ IO[0] (dual mode) Clock source for the specified bus.
BUS:B<x>:ESPI:DATAONE:THReshold	Sets or queries the command (single mode)/ IO[0] (dual mode) Data source threshold for the specified bus.
BUS:B<x>:ESPI:DATATWO:POLarity	Sets or queries the ESPI response (single mode)/ IO[1] (dual mode) polarity for the specified bus.
BUS:B<x>:ESPI:DATATWO:SOUrce	Sets or queries the response (single mode)/ IO[1] (dual mode) Data source for the specified bus.
BUS:B<x>:ESPI:DATATWO:THReshold	Sets or queries the response (single mode)/ IO[1] (dual mode) Data source threshold for the specified bus.
BUS:B<x>:ESPI:IOMODE	Sets or queries the ESPI Input/Output mode for the specified bus.
BUS:B<x>:ETHERCAT:DATAMINUSTHRESHold	Sets or queries the DATA Minus source threshold for the specified EtherCAT bus.
BUS:B<x>:ETHERCAT:DATAPLUSTHRESHold	Sets or queries the DATA Plus source threshold for the specified EtherCAT bus.
BUS:B<x>:ETHERCAT:SIGNALTYpe	Sets or queries the signal type for the specified EtherCAT bus.
BUS:B<x>:ETHERCAT:SOUrce:DIFF	Sets or queries the differential source for the specified EtherCAT bus.
BUS:B<x>:ETHERCAT:SOUrce:DMINus	Sets or queries the DataMinus (SDATAMINUS) source for the specified EtherCAT bus.
BUS:B<x>:ETHERCAT:SOUrce:DPLUS	Sets or queries the DataPlus (SDATAPLUS) source for the specified EtherCAT bus.

Table 2-22: Bus commands (cont.)

Command	Description
BUS:B<x>:ETHERCAT:THRESHold	Sets or queries the EtherCAT Differential source threshold for the specified EtherCAT bus
BUS:B<x>:ETHERnet:DATAMINUSTHRESHold	Sets or queries the Ethernet DATA Minus source threshold for the specified bus.
BUS:B<x>:ETHERnet:DATAPLUSTHRESHold	Sets or queries the Ethernet DATA Plus source threshold for the specified bus.
BUS:B<x>:ETHERnet:IPVFOUR	Sets or queries whether IPV4 packets are available for triggering on Ethernet.
BUS:B<x>:ETHERnet:LOWTHRESHold	Sets or queries the Ethernet DATA source Low threshold for the specified bus.
BUS:B<x>:ETHERnet:QTAGGING	Sets or queries whether Q-Tagging packets are available for triggering on Ethernet.
BUS:B<x>:ETHERnet:SIGNALTYpe	Sets or queries the Ethernet signal type for the specified bus.
BUS:B<x>:ETHERnet:SOURce	Specifies the Ethernet data source for differential input.
BUS:B<x>:ETHERnet:SOURce:DMINus	Sets or queries the Ethernet DMINus source.
BUS:B<x>:ETHERnet:SOURce:DPLUs	Sets or queries the Ethernet DPLUs source.
BUS:B<x>:ETHERnet:THRESHold	Sets or queries the Ethernet DATA source High threshold for the specified bus.
BUS:B<x>:ETHERnet:TYPe	Specifies the Ethernet standard type: 10Base-T or 100Base-T.
BUS:B<x>:EUSB:BITRate	Sets or queries the eUSB data rate for the specified bus.
BUS:B<x>:EUSB:DATAMINUS:DATA:THRESHold	Sets or queries the eUSB D- Input Source Data Threshold for Data line decode for specified bus.
BUS:B<x>:EUSB:DATAMINUSTHRESHold	Sets or queries the eUSB DATA Minus source threshold for the specified bus.
BUS:B<x>:EUSB:DATAPLUS:DATA:THRESHold	Sets or queries the eUSB D+ Input Source Data Threshold for Data line decode for specified bus.
BUS:B<x>:EUSB:DATAPLUSTHRESHold	Sets or queries the eUSB DATA Plus source threshold for the specified bus.
BUS:B<x>:EUSB:LOWTHRESHold	Sets or queries the eUSB source Low threshold for the specified bus when signal type is Differential.
BUS:B<x>:EUSB:OPERating:MODE	Sets or queries the eUSB mode for the specified bus.
BUS:B<x>:EUSB:SIGNALTYpe	Sets or queries the eUSB signal type for the specified bus.
BUS:B<x>:EUSB:SOURce:DIFF	Sets or queries the eUSB Diff source for the specified bus when signal type is Diff.
BUS:B<x>:EUSB:SOURce:DMINus	Sets or queries the eUSB DataMinus (SDATAMINUS) source for the specified bus.
BUS:B<x>:EUSB:SOURce:DPLUs	Sets or queries the eUSB dataPlus (SDATAPLUS) source for the Specified bus.
BUS:B<x>:EUSB:THRESHold	Sets or queries the eUSB source High threshold for the specified bus when signal type is Diff.
BUS:B<x>:FLEXray:BITRate	Sets or queries the FlexRay bus bit rate.
BUS:B<x>:FLEXray:BITRate:CUSTom	Sets or queries the FlexRay custom bit rate for the specified bus.
BUS:B<x>:FLEXray:CHannel	Sets or queries the FlexRay bus channel.
BUS:B<x>:FLEXray:LOWTHRESHold	Sets or queries the FlexRay data source low threshold for the specified bus.
BUS:B<x>:FLEXray:SIGnal	Sets or queries the FlexRay probe.
BUS:B<x>:FLEXray:SOURce	Sets or queries the FlexRay bus source.
BUS:B<x>:FLEXray:SOURce:TXRX	Sets or queries the FlexRay TxRx data source for the specified bus.

Table 2-22: Bus commands (cont.)

Command	Description
BUS:B<x>:FLEXray:THRESHold	Sets or queries the FlexRay data source threshold for the specified bus.
BUS:B<x>:FLEXray:TXRXTHRESHold	Sets or queries the FlexRay data source TxRx threshold for the specified bus.
BUS:B<x>:I2C:CLOCK:SOUrce	Sets or queries the I2C clock (SCLK) source for the specified bus.
BUS:B<x>:I2C:CLOCK:THReshold	Sets or queries the I2C Clock (SCLK) source threshold for the specified bus.
BUS:B<x>:I2C:DATA:SOUrce	Sets or queries the I2C data (SDA) source for the specified bus.
BUS:B<x>:I2C:DATA:THReshold	Sets or queries the I2C Data (SDA) source threshold for the specified bus.
BUS:B<x>:I2C:RWINADDR	Determines whether decoded I2C slave addresses are pure seven-bit values, or have the R/W* combined with them.
BUS:B<x>:I3C:CLOCK:SOUrce	Sets or queries the I3C clock (SCLK) source for the specified bus.
BUS:B<x>:I3C:CLOCK:THReshold	Sets or queries the I3C clock (SCLK) source threshold level for the specified bus.
BUS:B<x>:I3C:DATA:SOUrce	Sets or queries the I3C data clock (SDA) source for the specified bus.
BUS:B<x>:I3C:DATA:THReshold	Sets or queries the I3C clock (SDA) data threshold level for the specified bus.
BUS:B<x>:I3C:VERSion	Sets or queries the version for the specified bus
BUS:B<x>:LABel:COLor	Sets or queries the color of the specified bus label.
BUS:B<x>:LABel:FONT:BOLD	Sets or queries the bold state of the specified bus label.
BUS:B<x>:LABel:FONT:ITALic	Sets or queries the italic state of the specified bus label.
BUS:B<x>:LABel:FONT:SIZE	Sets or queries the font size of the specified bus label.
BUS:B<x>:LABel:FONT:TYPE	Sets or queries the font type of the specified bus label, such as Arial or Times New Roman.
BUS:B<x>:LABel:FONT:UNDERline	Sets or queries the underline state of the specified bus label.
BUS:B<x>:LABel:name	Sets or queries the waveform label for the specified bus.
BUS:B<x>:LABel:XPOS	Sets or queries the x-position of the specified bus' label.
BUS:B<x>:LABel:YPOS	Sets or queries the y-position of the specified bus' label.
BUS:B<x>:LIN:BITRate	Sets or queries the LIN bus bit rate.
BUS:B<x>:LIN:IDFORmat	Sets or queries LIN bus id format.
BUS:B<x>:LIN:POLarity	Sets or queries the LIN bus polarity.
BUS:B<x>:LIN:SAMPLEpoint	Specifies the point to sample during each bit period, as a percent, for the specified LIN bus.
BUS:B<x>:LIN:SOUrce	Sets or queries sets the LIN bus source.
BUS:B<x>:LIN:SOUrce:THReshold	Sets or queries the LIN source threshold for the specified bus.
BUS:B<x>:LIN:STANDard	Sets or queries the LIN bus standard.
BUS:B<x>:LIN:BITRate:CUSTom	Sets or queries LIN custom bit rate for the specified bus.
BUS:B<x>:MANChester:BITORDER	Sets or queries the Manchester bus Bit Order.
BUS:B<x>:MANChester:BITRate	Sets or queries the Manchester bus bit rate.
BUS:B<x>:MANChester:DISPlaymode	Sets or queries the Manchester bus Packet View.
BUS:B<x>:MANChester:HEADer:LENGth	Sets or queries the Manchester header length in bits.
BUS:B<x>:MANChester:IDLE:BITS	Sets or queries the Manchester idle bit size in bits.

Table 2-22: Bus commands (cont.)

Command	Description
BUS:B<x>:MANChester:parity	Sets or queries the Manchester bus Parity.
BUS:B<x>:MANChester:SOUrce	Sets or queries the Manchester source for the specified bus.
BUS:B<x>:MANChester:START:INDEX	Sets or queries the Manchester start Index in bits.
BUS:B<x>:MANChester:SYNC:SIZE	Sets or queries the Manchester sync Bit Size in bits.
BUS:B<x>:MANChester:THReshold	Sets or queries the Manchester threshold for the specified bus.
BUS:B<x>:MANChester:TOLerance	Sets or queries the Tolerance bus parameter.
BUS:B<x>:MANChester:TRAIler:LENGth	Sets or queries the Manchester trailer length in bits.
BUS:B<x>:MANChester:TRANstion:ZERO	Sets or queries the Manchester bus for zero falling or rising.
BUS:B<x>:MANChester:WORD:COUNT	Sets or queries the Manchester word count in bits.
BUS:B<x>:MANChester:WORDSIZe	Sets or queries the Manchester word size in bits.
BUS:B<x>:MDIO:CLOCK:SOUrce	Sets or queries the MDIO Clock source for the specified bus.
BUS:B<x>:MDIO:CLOCK:THReshold	Sets or queries the MDIO Clock source threshold for the specified bus.
BUS:B<x>:MDIO:DATA:SOUrce	Sets or queries the MDIO Data source for the specified bus.
BUS:B<x>:MDIO:DATA:THReshold	Sets or queries the MDIO Data source threshold for the specified bus.
BUS:B<x>:MIL1553B:SOUrce	Sets or queries the source for the specified MIL-STD-1553 bus.
BUS:B<x>:MIL1553B:THRESHold	Sets or queries the MIL-STD-1553 upper threshold for the specified bus.
BUS:B<x>:MIL1553B:LOWTHRESHold	Sets or queries the MIL-STD-1553 lower threshold for the specified bus.
BUS:B<x>:MIL1553B:POLarity	Sets or queries the source polarity for the specified MIL-STD-1553 bus.
BUS:B<x>:MIL1553B:RESPonsetime:MINimum	Sets or queries the minimum response time to a valid command issued for the specified MIL-STD-1553 bus.
BUS:B<x>:MIL1553B:RESPonsetime:MAXimum	Sets or queries the maximum response time to a valid command issued for the specified MIL-STD-1553 bus.
BUS:B<x>:NFC:APPLYDEMod	Sets or queries the demodulation application for the specified bus.
BUS:B<x>:NFC:BITRate	Sets or queries the bit rate for the specified NFC bus on the response lane.
BUS:B<x>:NFC:CMD:STARTINDEX	Sets or queries the Manchester start index for NFC command signal type for the specified bus.
BUS:B<x>:NFC:CMD:THReshold	Sets or queries the command threshold for the specified NFC bus.
BUS:B<x>:NFC:CMD:TRANstion:ZERO	Sets or queries the Manchester type for NFC command signal type for the specified bus.
BUS:B<x>:NFC:COMMand:POLarity	Sets or queries the polarity for NFC Type B command signal type for the specified bus.
BUS:B<x>:NFC:RESPonse:POLarity	Sets or queries the polarity for NFC Type B response signal type for the specified bus.
BUS:B<x>:NFC:RSP:THReshold	Sets or queries the response threshold for the specified NFC bus.
BUS:B<x>:NFC:SOUrce	Sets or queries the source for the specified NFC bus.
BUS:B<x>:NFC:START:INDEX	Sets or queries the start index for the specified NFC bus on the response lane.
BUS:B<x>:NFC:STD	Sets or queries the standard for the specified NFC bus.
BUS:B<x>:NFC:TOLerance	Sets or queries the tolerance for the specified NFC bus.

Table 2-22: Bus commands (cont.)

Command	Description
BUS:B<x>:NFC:TRANSition:ZERo	Sets or queries the Manchester standard convention for the specified NFC bus on the response lane
BUS:B<x>:NRZ:BITOrder	Sets or queries the NRZ bit order for the specified bus.
BUS:B<x>:NRZ:BITRate	Sets or queries the NRZ bus bit rate.
BUS:B<x>:NRZ:POLarity	Sets or queries the NRZ source polarity for the specified bus.
BUS:B<x>:NRZ:SOUrce	Sets or queries the NRZ source for the specified bus.
BUS:B<x>:NRZ:SPMI:VERsion	Sets or queries the Version for the specified bus.
BUS:B<x>:NRZ:THReshold	Sets or queries the NRZ threshold for the specified bus.
BUS:B<x>:ONEWIRe:DATA:SOUrce	Sets or queries the source for the specified ONEWIRe bus.
BUS:B<x>:ONEWIRe:DATA:THReshold	Sets or queries the ONEWIRe data source threshold for the specified bus.
BUS:B<x>:ONEWIRe:MODE	Sets or queries the mode for the specified ONEWIRe bus.
BUS:B<x>:PARAllel:ALLTHResholds	Sets or queries the threshold for all sources for the parallel bus.
BUS:B<x>:PARAllel:ALLTHResholds:APPLY	Sets all of the data source thresholds to the value of the allMRefs parameter for the parallel bus.
BUS:B<x>:PARAllel:BIT<x>SOUrce	Sets or queries the specified bit source for specified parallel bus.
BUS:B<x>:PARAllel:BIT<x>SOUrce:THReshold	Sets or queries the specified bit source threshold for the specified parallel bus.
BUS:B<x>:PARAllel:CLOCK:EDGE	Determines which edges of its clock signal cause a clocked parallel bus to sample new states.
BUS:B<x>:PARAllel:CLOCK:ISCLOCKED	Determines whether the bus operates in a clocked or asynchronous fashion.
BUS:B<x>:PARAllel:CLOCK:SOUrce	Sets or queries the Parallel clock source for the specified bus.
BUS:B<x>:PARAllel:CLOCK:SOUrce:THReshold	Sets or queries the bit source threshold for the parallel bus.
BUS:B<x>:PSIFIVE:BITPERiod	Sets or queries the PSI5 Bit period bus parameter.
BUS:B<x>:PSIFIVE:BITRate	Sets or queries the PSI5 bitrate.
BUS:B<x>:PSIFIVE:COMM:DIRection	Sets or queries the PSI5 bus communication direction.
BUS:B<x>:PSIFIVE:DATAA	Sets or queries the PSI5 frame mandatory data region A.
BUS:B<x>:PSIFIVE:DATAB	Sets or queries the PSI5 frame optional bits of data region B.
BUS:B<x>:PSIFIVE:DATAFORMat	Sets or queries the data format in PSI5 Frame2 packet.
BUS:B<x>:PSIFIVE:ECUSOURce	Sets or queries the ECU to sensor source channel for the specified Bus.
BUS:B<x>:PSIFIVE:FRAMECONTRol	Sets or queries the PSI5 frame optional control bits.
BUS:B<x>:PSIFIVE:MESSAging	Sets or queries the PSI5 optional messaging bits.
BUS:B<x>:PSIFIVE:SOUrce	Sets or queries serial channel on or off.
BUS:B<x>:PSIFIVE:STATus	Sets or queries the optional status bits of PSI5.
BUS:B<x>:PSIFIVE:SYNCMODE	Sets or queries the PSI5 Sync Mode.
BUS:B<x>:PSIFIVE:SYNCTHRESHold	Sets or queries the PSI5 threshold for the ECU To Sensor specified bus.
BUS:B<x>:PSIFIVE:THRESHold	Sets or queries the PSI5 threshold for the Sensor To ECU specified bus.
BUS:B<x>:RS232C:BITORder	Sets or queries the bit order for the specified RS-232 bus.
BUS:B<x>:RS232C:BITRate	Sets or queries the RS-232 bit rate for the specified bus.

Table 2-22: Bus commands (cont.)

Command	Description
BUS:B<x>:RS232C:BITRate:CUSTom	Sets or queries the RS-232 custom bit rate for the specified bus.
BUS:B<x>:RS232C:DATABits	Sets or queries the number of RS-232 data bits for the specified bus.
BUS:B<x>:RS232C:DELIMiter	Sets or queries the RS-232 delimiting value for a packet on the specified bus.
BUS:B<x>:RS232C:DISPlaymode	Sets or queries the display mode for the specified bus.
BUS:B<x>:RS232C:PARity	Sets or queries the RS-232 parity for the specified bus.
BUS:B<x>:RS232C:POLarity	Sets or queries the RS-232 polarity for the specified bus.
BUS:B<x>:RS232C:SOUrce	Sets or queries the RS-232 polarity for the specified bus.
BUS:B<x>:RS232C:SOUrce:THReshold	Sets or queries the RS232 source threshold for the specified bus.
BUS:B<x>:S8B10B:BITRate	Sets or queries the 8B10B bit rate for the specified bus.
BUS:B<x>:S8B10B:SOUrce	Sets or queries the 8B10B source for the specified bus. Specifies the source channel.
BUS:B<x>:S8B10B:THReshold	Sets or queries the 8B10B threshold for the specified bus.
BUS:B<x>:SDLC:BITRate	Sets or queries the bit rate for the specified SDLC bus.
BUS:B<x>:SDLC:DATA:SOUrce	Sets or queries the source for the specified bus.
BUS:B<x>:SDLC:DATA:THReshold	Sets or queries the SDLC data source threshold for the specified bus.
BUS:B<x>:SDLC:ENCoding	Sets or queries the SDLC Bus Encoding.
BUS:B<x>:SDLC:MODulo	Sets or queries the SDLC Bus Modulo.
BUS:B<x>:SENT:CHANWidth	Sets or queries SENT fast channel bit widths for the specified bus.
BUS:B<x>:SENT:NIBBLECount	Sets or queries SENT data nibbles for the specified bus.
BUS:B<x>:SENT:NUMCHANnel	Sets or queries SENT fast data channels for the specified bus.
BUS:B<x>:SENT:PAUSEPULSe	Sets or queries SENT pause pulse for the specified bus.
BUS:B<x>:SENT:POLARITY	Sets or queries SENT Idle State signal polarity for the specified bus.
BUS:B<x>:SENT:SLOW	Sets or queries the SENT slow channel configuration for the specified bus.
BUS:B<x>:SENT:SOUrce	Sets or queries the SENT DATA source for the specified bus.
BUS:B<x>:SENT:THRESHold	Sets or queries the SENT DATA source threshold for the specified bus.
BUS:B<x>:SENT:TICKTIME	Sets or queries the SENT bus Clock Tick parameter for the specified bus.
BUS:B<x>:SENT:TICKTOLerance	Sets or queries the SENT bus Tick Tolerance percent parameter for the specified bus.
BUS:B<x>:SMBUS:CLOCK:SOUrce	Sets or queries the clock source for the specified bus.
BUS:B<x>:SMBUS:CLOCK:THReshold	Sets or queries the SMBUS clock source threshold for the specified bus.
BUS:B<x>:SMBUS:DATA:SOUrce	Sets or queries the data source for the specified bus.
BUS:B<x>:SMBUS:DATA:THReshold	Sets or queries the SMBUS data source threshold for the specified bus.
BUS:B<x>:SMBUS:PEC:VALUe	Sets or queries the SMBUS PEC selection for the specified bus.
BUS:B<x>:SPACEWIRe:BITRate	Sets or queries the SpaceWire bit rate.
BUS:B<x>:SPACEWIRe:DATA:SOUrce	Sets or queries the source of the SpaceWire Data signal for the specified bus.
BUS:B<x>:SPACEWIRe:DATA:THReshold	Sets or queries the threshold of the SpaceWire Data signal for the specified bus.
BUS:B<x>:SPACEWIRe:DECode:TYPE	Sets or queries the decode type for SpaceWire bus decode.

Table 2-22: Bus commands (cont.)

Command	Description
BUS:B<x>:SPACEWIRE:STRobe:SOUrce	Sets or queries the source of the SpaceWire Strobe signal for the specified bus.
BUS:B<x>:SPACEWIRE:STRobe:THReshold	Sets or queries the threshold level of the SpaceWire Strobe signal for the specified bus.
BUS:B<x>:SPACEWIRE:SYNC	Sets or queries sync for SpaceWire decoding.
BUS:B<x>:SPACEWIRE:SYNC:COUnt	Sets or queries the length of the data string in bytes to be used for an SpaceWire sync bytes.
BUS:B<x>:SPACEWIRE:SYNC:PATtern	Sets or queries sync pattern for SpaceWire decoding.
BUS:B<x>:SPACEWIRE:SYNC:VALUe	Sets or queries sync value for sync option data.
BUS:B<x>:SPI:BITOrder	Sets or queries the shift direction used to de-serialize data for the SPI mode of the bus.
BUS:B<x>:SPI:CLOCK:POLarity	Sets or queries the SPI clock (SCLK) polarity for the specified bus.
BUS:B<x>:SPI:CLOCK:SOUrce	Sets or queries the SPI clock (SCLK) source for the specified bus.
BUS:B<x>:SPI:CLOCK:THReshold	Sets or queries the SPI Clock (SCLK) source threshold for the specified bus.
BUS:B<x>:SPI:DATA:POLarity	Sets or queries the SPI data (DATA) polarity for the specified bus.
BUS:B<x>:SPI:DATA:SIze	Sets or queries the number of bits per word for the specified bus.
BUS:B<x>:SPI:DATA:SOUrce	Sets or queries the SPI data (DATA) source for the specified bus.
BUS:B<x>:SPI:DATA:THReshold	Sets or queries the SPI Data (DATA) source threshold for the specified bus.
BUS:B<x>:SPI:FRAMING	Sets or queries the SPI bus framing.
BUS:B<x>:SPI:IDLETime	Sets or queries the SPI bus idle time.
BUS:B<x>:SPI:MISo:DATA:POLarity	Sets or queries the SPI MISo Data source polarity for the specified bus.
BUS:B<x>:SPI:MISo:INPut	Sets or queries the SPI MISo source for the specified bus.
BUS:B<x>:SPI:MISo:THReshold	Sets or queries the SPI MISo Data source threshold for the specified bus.
BUS:B<x>:SPI:MOSi:DATA:POLarity	Sets or queries the SPI MOSI source polarity for the specified bus.
BUS:B<x>:SPI:MOSi:INPut	Sets or queries the SPI MOSI source for the specified bus.
BUS:B<x>:SPI:MOSi:THReshold	Sets or queries the SPI MOSI source threshold for the specified bus.
BUS:B<x>:SPI:NUMBer:INputs	Sets or queries the number of inputs for the specified bus.
BUS:B<x>:SPI:SElect:POLarity	Sets or queries the SPI Slave Select (SS) polarity for the specified bus.
BUS:B<x>:SPI:SElect:SOUrce	Sets or queries the SPI Slave Select (SS) source for the specified bus.
BUS:B<x>:SPI:SElect:THReshold	Sets or queries the SPI Select (SS) source threshold for the specified bus.
BUS:B<x>:SPMI:SCLk:SOUrce	This command sets or queries the SPMI Clock (SCLK) source for the specified bus.
BUS:B<x>:SPMI:SCLk:THReshold	This command sets or queries the SPMI Clock (SCLK) source threshold for the specified bus.
BUS:B<x>:SPMI:SDATA:SOUrce	This command sets or queries the SPMI Data (SDATA) source for the specified bus.
BUS:B<x>:SPMI:SDATA:THReshold	This command sets or queries the SPMI Data (SDATA) source threshold for the specified bus.
BUS:B<x>:SVID:ALERT:SOUrce	Sets or queries alert source channel for the specified SVID bus.

Table 2-22: Bus commands (cont.)

Command	Description
<code>BUS:B<x>:SVID:ALERT:THReshold</code>	Sets or queries the alert threshold for the specified SVID bus.
<code>BUS:B<x>:SVID:CLOCK:SOUrce</code>	Sets or queries clock source channel for the specified SVID bus.
<code>BUS:B<x>:SVID:CLOCK:THReshold</code>	Sets or queries the clock threshold for the specified SVID bus.
<code>BUS:B<x>:SVID:DATA:SOUrce</code>	Sets or queries data source channel for the specified SVID bus.
<code>BUS:B<x>:SVID:DATA:THReshold</code>	Sets or queries the data threshold for the specified SVID bus.
<code>BUS:B<x>:TYPE</code>	Sets or queries the bus type specified.
<code>BUS:B<x>:USB:BITRate</code>	Sets or queries the USB bit rate for the specified bus.
<code>BUS:B<x>:USB:SOUrce</code>	Sets or queries the USB Data Source for the specified bus.
<code>BUS:B<x>:USB:SOUrce:DMINus</code>	Sets or queries the USB Data Source for D- input for the specified bus.
<code>BUS:B<x>:USB:SOUrce:DPLUs</code>	Sets or queries the USB Data Source for D+ input for the specified bus.
<code>BUS:B<x>:USB:DATAMINUSTHRESHold</code>	Sets or queries the USB DATA Minus source threshold for the specified bus.
<code>BUS:B<x>:USB:DATAPLUSTHRESHold</code>	Sets or queries the USB DATA Plus source threshold for the specified bus.
<code>BUS:B<x>:USB:DISPlaymode</code>	Sets or queries the USB bus packet view.
<code>BUS:B<x>:USB:LOWTHRESHold</code>	Sets or queries the USB DATA source Low threshold for the specified bus.
<code>BUS:B<x>:USB:SIGNALTYpe</code>	Sets or queries the USB signal type for the specified bus.
<code>BUS:B<x>:USB:THRESHold</code>	Sets or queries the USB DATA source High threshold for the specified bus.
<code>BUS:DELete</code>	Deletes the specified bus.
<code>BUS:LIST?</code>	Lists all currently defined bus.
<code>BUSTABLE:ADDNew</code>	Adds the specified bus table.
<code>BUSTABLE:DELete</code>	Deletes the specified bus table.
<code>BUSTABLE:LIST?</code>	Lists all currently defined bus tables.
<code>DISPlay:WAVEView<x>:BUS:B<x>:STATE</code>	Sets or queries the state of the specified bus in the specified Waveform View.
<code>DISPlay:WAVEView<x>:BUS:B<x>:VERTical:POSition</code>	Sets or queries the vertical position of the specified bus in the specified Waveform View.

Calibration command group

The Calibration commands provide information about the current state of instrument calibration and allow you to initiate signal path calibration (SPC).

NOTE. *When running SPC through the remote interface, calibration status cannot be obtained until after the SPC completes, which can take several minutes. Any remote command that performs an action on the instrument is also disabled until the SPC is complete.*

Table 2-23: Calibration commands

Command	Description
*CAL?	Instructs the instrument to perform signal path calibration and returns the calibration status when complete. Takes several minutes to run.
CALibrate?	Returns the calibration status.
CALibrate:INTERNAL	Starts the signal path calibration. Takes several minutes to run.
CALibrate:INTERNAL:START	Starts the signal path calibration.
CALibrate:INTERNAL:STATUS?	Returns the status of the signal path calibration.
CALibrate:PWRUpstatus?	Returns the current status of the power-up calibration.
TOUCHSCReen:CALibrate	Launches the touchscreen calibration.
TOUCHSCReen:STATe	Sets or queries the enabled state of the touch screen.

Callouts command group

The Callout commands creates custom callouts to document specific details of your test results.

Table 2-24: Callout commands

Command	Description
<code>CALLOUTS:ADDNew</code>	Creates a new note.
<code>CALLOUTS:CALLOUT<x>:BOOKMark:SOURCE</code>	Sets or queries the source of the Bookmark callout type.
<code>CALLOUTS:CALLOUT<x>:BOOKMark:XPOS</code>	Sets or queries the X-Position of the Bookmark callout type.
<code>CALLOUTS:CALLOUT<x>:COLOR</code>	Sets or queries the text color of the callout.
<code>CALLOUTS:CALLOUT<x>:DISPLAYPOSITION:X</code>	Sets or queries horizontal display position of the callout text
<code>CALLOUTS:CALLOUT<x>:DISPLAYPOSITION:Y</code>	Sets or queries vertical display position of the callout text
<code>CALLOUTS:CALLOUT<x>:FONT:BOLD</code>	Sets or queries the bold state of the callout text.
<code>CALLOUTS:CALLOUT<x>:FONT:ITALIC</code>	Sets or queries the italic state of the callout text.
<code>CALLOUTS:CALLOUT<x>:FONT:SIZE</code>	Sets or queries the font size of the callout text.
<code>CALLOUTS:CALLOUT<x>:FONT:TYPE</code>	Sets or queries the font type of the callout.
<code>CALLOUTS:CALLOUT<x>:FONT:UNDERLine</code>	Sets or queries the underline state of the callout text.
<code>CALLOUTS:CALLOUT<x>:TEXT</code>	Sets or queries the callout text.
<code>CALLOUTS:CALLOUT<x>:TYPE</code>	Sets or queries type of the callout
<code>CALLOUTS:DELeTe</code>	Deletes the specified callout.

Cursor command group

Use the commands in the Cursor Command Group to control the cursor display and readout. You can use these commands to control the setups for each cursor, such as waveform source, and cursor position.

You can also use the commands to select one of the following cursor functions:

- **Off.** Shuts off the display of all cursors.
- **Vertical bars.** Displays vertical bar cursors, which provide traditional horizontal unit readouts for Cursor 1 (bar1), Cursor 2 (bar2), the delta between them, and 1/delta (results in frequency when the horizontal unit is time). Vertical bars are another name for vertical screen cursors.
- **Horizontal bars.** Displays horizontal bar cursors, which provide traditional vertical unit readouts for Cursor 1 (bar1), Cursor 2 (bar2), and the delta between them. Horizontal bars are another name for horizontal screen cursors.
- **Waveform cursors.** Consists of two cursors you can independently assign to a waveform. Waveform cursors enable you to conveniently measure waveform amplitude and time at specific points on the waveform. In XY or XYZ format, waveform cursors indicate the amplitude position of an XY pair (Ch1 vs Ch2 voltage, where Ch1 is the X axis and Ch2 is the Y axis) relative to the trigger.
- **Screen cursors.** Consist of two pairs of horizontal and vertical bar cursors. You can use these cursors to indicate an arbitrary position within the waveform display area. Screen cursors are basically just turning on horizontal bars and vertical bars at the same time. These cursors have no association with any waveform, except that they inherit the color of the waveform they are assigned to.

NOTE. *Cursor commands are available once a view has been added.*

Table 2-25: Cursor commands

Command	Description
DISplay:MATHFFTView<x>:CURSor:ASOUrce?	Queries the cursor source for cursor A in the specified Math-FFT waveform.
DISplay:MATHFFTView<x>:CURSor:BSOUrce?	Queries the cursor source for cursor B in the specified Math-FFT waveform.
DISplay:MATHFFTView<x>:CURSor:DDT?	Queries the delta V over delta T cursor readout value in the specified Math-FFT waveform.
DISplay:MATHFFTView<x>:CURSor:FUNctIon	Sets or queries the cursor type in the specified Math-FFT waveform.
DISplay:MATHFFTView<x>:CURSor:HBArs:APOsition	Sets or returns the horizontal cursor A position in the specified Math-FFT waveform.

Table 2-25: Cursor commands (cont.)

Command	Description
DISplay:MATHFFTView<x>:CURSor:HBArs:AUNIts?	Queries cursor A vertical units of the specified cursor in the specified view.
DISplay:MATHFFTView<x>:CURSor:HBArs:BPOsition	Sets or returns the vertical cursor B position in the specified Math-FFT waveform.
DISplay:MATHFFTView<x>:CURSor:HBArs:BUNIts?	Queries the cursor B vertical units in the specified Math-FFT waveform.
DISplay:MATHFFTView<x>:CURSor:HBArs:DELTA?	Queries the delta V cursor readout value of the specified cursor in the specified view.
DISplay:MATHFFTView<x>:CURSor:MODe	Sets or returns the cursor tracking mode in the specified Math-FFT waveform.
DISplay:MATHFFTView<x>:CURSor:ONEOVERDELTAVALUE?	Queries the one over delta T cursor readout value in the specified Math-FFT waveform.
DISplay:MATHFFTView<x>:CURSor:ROLOCATION	Sets or queries the location to display the specified Math FFT plot cursor readouts (in the plot graticule or in a badge in the Results Bar).
DISplay:MATHFFTView<x>:CURSor:SCREEN:AXPOsition	Sets or returns the horizontal cursor A position in the specified Math-FFT waveform.
DISplay:MATHFFTView<x>:CURSor:SCREEN:AYPOsition	Sets or returns the vertical cursor A position in the specified Math-FFT waveform.
DISplay:MATHFFTView<x>:CURSor:SCREEN:BXPOsition	Sets or returns the horizontal cursor B position of the specified cursor in the specified view.
DISplay:MATHFFTView<x>:CURSor:SCREEN:BYPOsition	Sets or returns the vertical cursor B position in the specified Math-FFT waveform.
DISplay:MATHFFTView<x>:CURSor:STATE	Sets or queries the visible state of cursors in the specified Math-FFT waveform.
DISplay:MATHFFTView<x>:CURSor:VBArS:APOsition	Sets or queries the horizontal cursor A position in the specified Math-FFT waveform.
DISplay:MATHFFTView<x>:CURSor:VBArS:AUNIts?	Queries the vertical cursor A measurement units for the specified Math-FFT view.
DISplay:MATHFFTView<x>:CURSor:VBArS:BPOsition	Sets or queries the horizontal cursor B position in the specified Math-FFT waveform.
DISplay:MATHFFTView<x>:CURSor:VBArS:BUNIts?	Queries the vertical cursor B measurement units for the specified Math-FFT view.
DISplay:MATHFFTView<x>:CURSor:VBArS:DELTA?	Queries the delta T cursor readout value of the specified cursor in the specified Math-FFT waveform.
DISplay:MATHFFTView<x>:CURSor:WAVEform:APOsition	Sets or queries the waveform cursor A position in the specified plot view.
DISplay:MATHFFTView<x>:CURSor:WAVEform:BPOsition	Sets or queries the waveform cursor B position in the specified plot view.
DISplay:PLOTView<x>:CURSor:ASOURce?	Queries the cursor source for plot cursor A.
DISplay:PLOTView<x>:CURSor:BSOURce?	Queries the cursor source for plot cursor B.
DISplay:PLOTView<x>:CURSor:DDT?	Queries the delta V over delta T cursor readout value of the specified cursor in the specified view.
DISplay:PLOTView<x>:CURSor:FUNCTion	Sets or queries the cursor mode of the specified cursor in the specified view.

Table 2-25: Cursor commands (cont.)

Command	Description
DISplay:PLOTView<x>:CURSor:HBArS:APOsition	Sets or queries the vertical cursor A position of the specified cursor in the specified view.
DISplay:PLOTView<x>:CURSor:HBArS:AUNIts?	Sets or queries the cursor A vertical units of the specified cursor in the specified view.
DISplay:PLOTView<x>:CURSor:HBArS:BPOsition	Sets or queries the vertical cursor B position of the specified cursor in the specified view.
DISplay:PLOTView<x>:CURSor:HBArS:BUNIts?	Sets or queries the cursor B vertical units of the specified cursor in the specified view.
DISplay:PLOTView<x>:CURSor:HBArS:DELTA?	Sets or queries the delta V cursor readout value of the specified cursor in the specified view.
DISplay:PLOTView<x>:CURSor:MODE	Sets or queries the cursor tracking mode of the specified cursor in the specified view.
DISplay:PLOTView<x>:CURSor:ONEOVERDELTAVALUE?	Sets or queries the one over delta T cursor readout value of the specified cursor in the specified view.
DISplay:PLOTView<x>:CURSor:ROLOCATION	Sets or queries the location to display the specified Plot cursor readouts (in the plot graticule or in a badge in the Results Bar).
DISplay:PLOTView<x>:CURSor:SCREEN:AXPOsition	Sets or queries the horizontal cursor A position of the specified cursor in the specified view.
DISplay:PLOTView<x>:CURSor:SCREEN:AYPOsition	Sets or queries the vertical cursor A position of the specified cursor in the specified view.
DISplay:PLOTView<x>:CURSor:SCREEN:BXPOsition	Sets or queries the horizontal cursor B position of the specified cursor in the specified view.
DISplay:PLOTView<x>:CURSor:SCREEN:BYPOsition	Sets or queries the vertical cursor B position of the specified cursor in the specified view.
DISplay:PLOTView<x>:CURSor:SPLITMODE	Sets or queries the cursor source mode in the specified view.
DISplay:PLOTView<x>:CURSor:STATE	Sets or queries the visible state of the cursor of the specified cursor in the specified view.
DISplay:PLOTView<x>:CURSor:VBArS:APOsition	Sets or queries the horizontal cursor A position of the specified cursor in the specified view.
DISplay:PLOTView<x>:CURSor:VBArS:BPOsition	Sets or queries the horizontal cursor B position of the specified cursor in the specified view.
DISplay:PLOTView<x>:CURSor:VBArS:DELTA?	Queries the delta T cursor readout value of the specified cursor in the specified view.
DISplay:PLOTView<x>:CURSor:VBArS:UNIts?	Queries the VBArS cursor readout units of the specified cursor in the specified view.
DISplay:PLOTView<x>:CURSor:WAVEform:APOsition	Sets or queries the horizontal cursor A position of the specified cursor in the specified view.
DISplay:PLOTView<x>:CURSor:WAVEform:BPOsition	Sets or queries the horizontal cursor B position of the specified cursor in the specified view.
DISplay:REFFFTView<x>:CURSor:ASOURce?	Queries the cursor source for plot cursor A

Table 2-25: Cursor commands (cont.)

Command	Description
DISplay:REFFFTView<x>:CURSor:BSOURce?	Queries the cursor source for plot cursor B.
DISplay:REFFFTView<x>:CURSor:DDT?	Queries the delta V over delta T cursor readout value of the specified cursor in the specified view.
DISplay:REFFFTView<x>:CURSor:FUNCTion	Sets or queries the cursor type of the specified cursor in the specified view.
DISplay:REFFFTView<x>:CURSor:HBArs:APOSition	Sets or queries the vertical cursor A position of the specified cursor in the specified view.
DISplay:REFFFTView<x>:CURSor:HBArs:AUNIts?	Queries cursor A vertical units of the specified cursor in the specified view.
DISplay:REFFFTView<x>:CURSor:HBArs:BPOSition	Sets or queries the vertical cursor B position of the specified cursor in the specified view.
DISplay:REFFFTView<x>:CURSor:HBArs:BUNIts?	Queries the cursor B vertical units of the specified cursor in the specified view.
DISplay:REFFFTView<x>:CURSor:HBArs:DELTA?	Queries the delta V cursor readout value of the specified cursor in the specified view.
DISplay:REFFFTView<x>:CURSor:MODE	Sets or queries the cursor tracking mode of the specified cursor in the specified view.
DISplay:REFFFTView<x>:CURSor:ONEOVERDELTAVALUE?	Queries the one over delta T cursor readout value of the specified cursor in the specified view.
DISplay:REFFFTView<x>:CURSor:ROLOCATION	Sets or queries the location to display the specified Reference FFT plot cursor readouts (in the plot graticule or in a badge in the Results Bar).
DISplay:REFFFTView<x>:CURSor:SCREEN:AXPOSition	Sets or queries the horizontal cursor A position of the specified cursor in the specified view.
DISplay:REFFFTView<x>:CURSor:SCREEN:AYPOSition	Sets or queries the vertical cursor A position of the specified cursor in the specified view.
DISplay:REFFFTView<x>:CURSor:SCREEN:BXPOSition	Sets or queries the horizontal cursor B position of the specified cursor in the specified view.
DISplay:REFFFTView<x>:CURSor:SCREEN:BYPOSition	Sets or queries the vertical cursor B position of the specified cursor in the specified view.
DISplay:REFFFTView<x>:CURSor:SPLITMODE	Sets or queries whether both cursors have same or different source.
DISplay:REFFFTView<x>:CURSor:STATE	Sets or queries the visible state of the cursor of the specified cursor n the specified view.
DISplay:REFFFTView<x>:CURSor:VBArS:APOSition	Sets or queries the horizontal cursor A position of the specified cursor in the specified view.
DISplay:REFFFTView<x>:CURSor:VBArS:BPOSition	Sets or queries the horizontal cursor B position of the specified cursor in the specified view.
DISplay:REFFFTView<x>:CURSor:VBArS:DELTA?	Queries the delta T cursor readout value of the specified cursor in the specified view.
DISplay:REFFFTView<x>:CURSor:VBArS:UNIts?	Queries cursor A vertical units of the specified cursor in the specified view.
DISplay:REFFFTView<x>:CURSor:WAVEform:AHPOSition?	Queries the value of the cursor A horizontal position.

Table 2-25: Cursor commands (cont.)

Command	Description
DISplay:REFFFTView<x>:CURSor: WAVEform:APOSition	Sets or returns the waveform cursor A position in the specified plot view.
DISplay:REFFFTView<x>:CURSor: WAVEform:AVPOSition?	Queries the value of the cursor A vertical position.
DISplay:REFFFTView<x>:CURSor: WAVEform:BHPOSition?	Queries the value of the cursor B horizontal position.
DISplay:REFFFTView<x>:CURSor: WAVEform:BPOSition	Sets or returns the waveform cursor B position in the specified plot view.
DISplay:REFFFTView<x>:CURSor: WAVEform:BVPOSition?	Queries the value of the cursor B vertical position.
DISplay:SPECView<x>:CURSor:CURSOR: ANOISEDensity?	Returns the noise density of the selected RF trace at the Cursor A position
DISplay:SPECView<x>:CURSor:CURSOR: ASOURce	Sets or queries the Cursor A source in the Spectrum View.
DISplay:SPECView<x>:CURSor:CURSOR: BNOISE?	Returns the noise density of the selected RF trace at the Cursor B position when in Absolute mode, or the phase noise when in Delta mode.
DISplay:SPECView<x>:CURSor:CURSOR: BSOURce	Sets or queries the Cursor B source in the Spectrum View.
DISplay:SPECView<x>:CURSor:CURSOR: HBArS:APOSition	Queries the horizontal bar Cursor A vertical position (where it crosses the spectrum signal) in the Spectrum View.
DISplay:SPECView<x>:CURSor:CURSOR: HBArS:AUNIts?	Queries the horizontal bar Cursor A amplitude units in the Spectrum View.
DISplay:SPECView<x>:CURSor:CURSOR: HBArS:BPOSition	Queries the horizontal bar Cursor B vertical position (where it crosses the spectrum signal) in the Spectrum View.
DISplay:SPECView<x>:CURSor:CURSOR: HBArS:BUNIts?	Queries the horizontal bar Cursor B amplitude units in the Spectrum View.
DISplay:SPECView<x>:CURSor:CURSOR: READout	Sets or queries the Cursor B readout type in the Spectrum View.
DISplay:SPECView<x>:CURSor:CURSOR: SPLITMODE	Sets or queries whether both Spectrum View cursors have the same or different sources.
DISplay:SPECView<x>:CURSor:CURSOR: STATE	Sets or queries the visibility state of the cursors in the Spectrum View.
DISplay:SPECView<x>:CURSor:CURSOR: VBArs:APOSition	Sets or queries the Cursor A vertical position in the Spectrum View.
DISplay:SPECView<x>:CURSor:CURSOR: VBArs:BPOSition	Sets or queries the Cursor B horizontal position in the Spectrum View.
DISplay:SPECView<x>:CURSor:CURSOR: VBArs:UNIts?	Queries the cursor horizontal units in the Spectrum View.
DISplay:SPECView<x>:CURSor:CURSOR: WAVEform:APOSition	Sets or queries the Cursor A vertical position in the Spectrum View.
DISplay:SPECView<x>:CURSor:CURSOR: WAVEform:BPOSition	Sets or queries the Cursor B vertical position in the Spectrum View.

Table 2-25: Cursor commands (cont.)

Command	Description
DISplay:WAVEView<x>:CURSor?	Queries the cursor parameters for the specified Waveform View.
DISplay:WAVEView<x>:CURSor:CURSOR<x>?	Queries the cursor parameters for the specified cursor in the specified Waveform View.
DISplay:WAVEView<x>:CURSor:CURSOR<x>:ASOURce	Sets or queries the cursor A source of the specified cursor in the specified Waveform View.
DISplay:WAVEView<x>:CURSor:CURSOR<x>:BSOURce	Sets or queries the cursor B source of the specified cursor in the specified Waveform View.
DISplay:WAVEView<x>:CURSor:CURSOR<x>:DDT?	Returns the delta V over delta T cursor readout value of the specified cursor in the specified Waveform View.
DISplay:WAVEView<x>:CURSor:CURSOR<x>:FUNction	Sets or queries the cursor mode (SCREEN or DATA) of the specified cursor in the specified Waveform View.
DISplay:WAVEView<x>:CURSor:CURSOR<x>:HBArS:APOSition	Sets or queries the vertical cursor A position of the specified cursor in the specified Waveform View.
DISplay:WAVEView<x>:CURSor:CURSOR<x>:HBArS:AUNIts?	Queries the cursor A vertical units of the specified cursor in the specified Waveform View.
DISplay:WAVEView<x>:CURSor:CURSOR<x>:HBArS:BPOSition	Sets or queries the vertical cursor B position of the specified cursor in the specified Waveform View.
DISplay:WAVEView<x>:CURSor:CURSOR<x>:HBArS:BUNIts?	Queries the cursor B vertical units of the specified cursor in the specified Waveform View.
DISplay:WAVEView<x>:CURSor:CURSOR<x>:HBArS:DELTA?	Sets or queries the delta V cursor readout value over the history period.
DISplay:WAVEView<x>:CURSor:CURSOR<x>:MODE	Sets or queries the cursor tracking mode of the specified cursor in the specified Waveform View.
DISplay:WAVEView<x>:CURSor:CURSOR<x>:ONEOVERDELTAVALUE?	Sets or queries the one over delta T cursor readout value of the specified cursor in the specified Waveform View.
DISplay:WAVEView:CURSor:CURSOR1:ROLOCATION	Sets or queries the location to display the Waveform View cursor readouts (in the Waveform View graticule or in a badge in the Results Bar).
DISplay:WAVEView<x>:CURSor:CURSOR<x>:SCREEN:AXPOSition	Sets or queries the horizontal cursor A position of the specified cursor in the specified Waveform View.
DISplay:WAVEView<x>:CURSor:CURSOR<x>:SCREEN:AYPOSition	Sets or queries the vertical cursor A position of the specified cursor in the specified Waveform View.
DISplay:WAVEView<x>:CURSor:CURSOR<x>:SCREEN:BXPOSition	Sets or queries the horizontal cursor B position of the specified cursor in the specified Waveform View.
DISplay:WAVEView<x>:CURSor:CURSOR<x>:SCREEN:BYPOSition	Sets or queries the vertical cursor B position of the specified cursor in the specified Waveform View.
DISplay:WAVEView<x>:CURSor:CURSOR<x>:SPLITMODE	Sets or queries the cursor source mode in the specified view.
DISplay:WAVEView<x>:CURSor:CURSOR<x>:STATE	Sets or queries the visible state of the cursor of the specified cursor in the specified Waveform View.
DISplay:WAVEView<x>:CURSor:CURSOR<x>:VBArS:APOSition	Sets or queries the horizontal cursor A position of the specified cursor in the specified Waveform View.

Table 2-25: Cursor commands (cont.)

Command	Description
DISplay:WAVEView<x>:CURSor: CURSOR<x>:VBArS:BPOStion	Sets or queries the horizontal cursor B position of the specified cursor in the specified Waveform View.
DISplay:WAVEView<x>:CURSor: CURSOR<x>:VBArS:DELTA?	Sets or queries the delta T cursor readout value of the specified cursor in the specified Waveform View.
DISplay:WAVEView<x>:CURSor: CURSOR<x>:VBArS:UNItS?	Queries cursor A vertical units of the specified cursor in the specified Waveform View.
DISplay:WAVEView<x>:CURSor:CURSOR: WAVEform:ALL:ValueS?	Queries all values (Time, Voltage, Delta) associated with all the active sources in the Waveform View.
DISplay:WAVEView<x>:CURSor: CURSOR<x>:WAVEform:APOStion	Sets or queries the horizontal cursor A position of the specified cursor in the specified Waveform View.
DISplay:WAVEView<x>:CURSor:CURSOR: WAVEform:AVPOStion?	Queries the vertical waveform value at the cursor A position in the specified Waveform View.
DISplay:WAVEView<x>:CURSor: CURSOR<x>:WAVEform:BPOStion	Sets or queries the horizontal cursor B position of the specified cursor in the specified Waveform View.
DISplay:WAVEView<x>:CURSor:CURSOR: WAVEform:BVPOStion?	Queries the vertical waveform value at the cursor B position in the specified Waveform View.

Digital command group

Use the commands in the Digital Command Group to acquire up to 64 digital signals and analyze them. Digital channels are only available when a digital probe is attached to the super channel.

Table 2-26: Digital commands

Command	Description
CH<x>_DALL:LABel:COLor	Sets or queries the color of the specified digital group label.
CH<x>_DALL:LABel:FONT:BOLD	Sets or queries the bold state of the specified digital group.
CH<x>_DALL:LABel:FONT:ITALic	Sets or queries the italic state of the specified digital group.
CH<x>_DALL:LABel:FONT:SIZE	Sets or queries the font size of the specified digital group.
CH<x>_DALL:LABel:FONT:TYPE	Sets or queries the font type of the specified digital group, such as Arial or Times New Roman.
CH<x>_DALL:LABel:FONT:UNDERline	Sets or queries the underline state of the specified digital group.
CH<x>_DALL:LABel:NAME	Sets or queries the label of the specified digital group.
CH<x>_D<x>:LABel:COLor	Sets or queries the color of the label of the specified digital bit.
CH<x>_D<x>:LABel:FONT:BOLD	Sets or queries the bold state of the label of the specified digital bit.
CH<x>_D<x>:LABel:FONT:ITALic	Sets or queries the italic state of the label of the specified digital bit.
CH<x>_D<x>:LABel:FONT:SIZE	Sets or queries the font size of the label of the specified digital bit.
CH<x>_D<x>:LABel:FONT:TYPE	Sets or queries the font type of the label of the specified digital bit.
CH<x>_D<x>:LABel:FONT:UNDERline	Sets or queries the underline state of the label of the specified digital bit.
CH<x>_D<x>:LABel:NAME	Sets or queries the label of the specified digital bit.
REF<x>_DALL:LABel:COLor	Sets or queries the color of the specified digital group.
REF<x>_DALL:LABel:FONT:BOLD	Sets or queries the bold state of the specified digital group.
REF<x>_DALL:LABel:FONT:ITALic	Sets or queries the italic state of the specified digital group.
REF<x>_DALL:LABel:FONT:SIZE	Sets or queries the font size of the specified digital group.
REF<x>_DALL:LABel:FONT:TYPE	Sets or queries the font type of the specified digital group.
REF<x>_DALL:LABel:FONT:UNDERline	Sets or queries the underline state of the specified digital group.
REF<x>_DALL:LABel:NAME	Sets or queries the label of the specified digital group.
REF<x>_DALL:LABel:XPOS	Sets or queries the x-position of the label of the specified digital group.
REF<x>_DALL:LABel:YPOS	Sets or queries the y-position of the label of the specified digital group.
REF<x>_D<x>:LABel:COLor	Sets or queries the color of the label of the specified digital channel.
REF<x>_D<x>:LABel:FONT:BOLD	Sets or queries the bold state of the label of the specified digital bit.
REF<x>_D<x>:LABel:FONT:ITALic	Sets or queries the italic state of the label of the specified digital bit.
REF<x>_D<x>:LABel:FONT:SIZE	Sets or queries the font size of the label of the specified digital bit.
REF<x>_D<x>:LABel:FONT:TYPE	Sets or queries the font type of the label of the specified digital bit.
REF<x>_D<x>:LABel:FONT:UNDERline	Sets or queries the underline state of the label of the specified digital bit.
REF<x>_D<x>:LABel:NAME	Sets or queries the label of the specified digital bit.
REF<x>_D<x>:LABel:XPOS	Sets or queries the x-position of the label of the specified digital bit.

Table 2-26: Digital commands (cont.)

Command	Description
REF<x>_D<x>:LABel:YPOS	Sets or queries the y-position of the label of the specified digital channel.
DIGGRP<x>:D<x>:THRReshold	Sets or queries the threshold level in volts for specified digital channel.

Digital Power Management (DPM) Group

Use the commands in the DPM command group for Digital Power Management functionality. Requires option 5-DPM (5 Series MSO instruments) or 6-DPM (6 Series MSO instrument).

Table 2-27: DPM Command Group

Command	Description
MEASUrement:AUTOset	This command performs a specified autoset.
MEASUrement:MEAS<x>:CF<x>Val	Sets or returns the center frequency value for PSIJ measurement.
MEASUrement:MEAS<x>:EDGEQUALifier	Sets or queries the edge qualifier source.
MEASUrement:MEAS<x>:FCOunt	Sets or returns the filter count for PSIJ measurement.
MEASUrement:MEAS<x>:INPUTLEVel	Sets or queries the input trigger voltage level.
MEASUrement:MEAS<x>:MAXVoltage	Sets or queries the maximum input voltage.
MEASUrement:MEAS<x>: OUTPUT<x>VOLTag	Sets or queries the voltage level for the specified output voltage source n.
MEASUrement:MEAS<x>: REFVOLTAGE<x>Val	Sets or queries the reference voltage per rail of Overshoot and Undershoot measurements.
MEASUrement:MEAS<x>: RIPPLEFREQ<x>Val	Sets or queries the ripple frequency per specified rail for Ripple measurement.
MEASUrement:MEAS<x>:SPAN<x>Val	Sets or returns the span value for PSIJ measurement.
MEASUrement:MEAS<x>:SUBGROUP: RESUlts:ALLAcqs:MAXimum?	Returns the maximum value of the measurement specified by the string, for all acquisitions.
MEASUrement:MEAS<x>:SUBGROUP: RESUlts:ALLAcqs:MEAN?	Returns the mean value of the measurement specified by the string, for all acquisitions.
MEASUrement:MEAS<x>:SUBGROUP: RESUlts:ALLAcqs:MINimum?	Returns the minimum value of the measurement specified by the string, for all acquisitions.
MEASUrement:MEAS<x>:SUBGROUP: RESUlts:ALLAcqs:PK2PK?	Returns the peak-to-peak value of the measurement specified by the string, for all acquisitions.
MEASUrement:MEAS<x>:SUBGROUP: RESUlts:ALLAcqs:POPulation?	Returns the population value of the measurement specified by the string, for all acquisitions.
MEASUrement:MEAS<x>:SUBGROUP: RESUlts:ALLAcqs:STDDev?	Returns the standard deviation value of the measurement specified by the string, for all acquisitions.
MEASUrement:MEAS<x>:SUBGROUP: RESUlts:CURRentacq:MAXimum?	Returns the maximum value of the measurement specified by the string, for the current acquisition.

Table 2-27: DPM Command Group (cont.)

Command	Description
MEASUrement:MEAS<x>:SUBGROUP:RESUlts:CURRentacq:MEAN?	Returns the mean value of the measurement specified by the string, for the current acquisition.
MEASUrement:MEAS<x>:SUBGROUP:RESUlts:CURRentacq:MINimum?	Returns the minimum value of the measurement specified by the string, for the current acquisition.
MEASUrement:MEAS<x>:SUBGROUP:RESUlts:CURRentacq:PK2PK?	Returns the peak-to-peak value of the measurement specified by the string, for the current acquisition.
MEASUrement:MEAS<x>:SUBGROUP:RESUlts:CURRentacq:POPulation?	Returns the population value of the measurement specified by the string, for the current acquisition.
MEASUrement:MEAS<x>:SUBGROUP:RESUlts:CURRentacq:STDDev?	Returns the standard deviation value of the measurement specified by the string, for the current acquisition.
MEASUrement:MEAS<x>:WAITTime	Sets or queries the wait time.
PLOT:PLOT<x>:PSIJ	Sets or returns the plot data type for respective PSIJ plot.
PLOT:PLOT<x>:RAILNUM	Sets the DPM histogram source.

Display control command group

Display commands can be found in this section as well as the sections of related components. These commands control general instrument settings, such as the intensity of the graticule, stacked or overlay display mode, and the fastacq color palette. Display commands also control how and where waveforms are shown, their position on screen, and zoom settings applied to the view. For example, display commands can turn on or off the display of channels or set the selected source.

Some actions can create a new view which can have its own settings. For example, adding a histogram will create a new view where the Histogram plot is displayed. Each view acts as a separate window within the instrument application and can be rearranged or annotated as desired.

A WaveView is the primary view used for viewing inputs and time-domain signals. Buses, non-FFT maths, refs, analog and digital channels, and time-trends are displayed in the WaveView.

A PlotView is used for viewing measurement results and other plotted data. Histograms, eye diagrams, XY/XYZ plots, FFTs, and other plots are shown in individual PlotViews.

Each of these views can have separate settings, zoom, cursors, and annotations. Display commands which are view specific have a view parameter in the programmable interface, such as `DISPLAY:WAVEView<x>: ...` or `DISPLAY:PLOTView<x>: ...`. Selected source can also be specified on a per-view basis. The overall selected source is determined by the selected view and the selected source within that view.

PlotViews and WaveViews have some differences in command syntax due to differences in view functionality. For example, WaveViews and PlotViews have a different zoom model. The commands for specifying the zoom reflects these differences, and different command syntax is available depending on the view.

Table 2-28: Display control commands

Command	Description
<code>DISplay?</code>	Returns current display settings.
<code>DISplay:{CH<x> MATH<x> REF<x>}: INVERTColor</code>	Sets or queries the Inverted mode color of the specified input source to the specified color.
<code>DISplay:{CH<x> MATH<x> REF<x>}: NORMALColor</code>	Sets or queries the Inverted mode color of the specified input source to the specified color.
<code>DISplay:COLors</code>	Sets or queries the color mode for the graticule and waveform display.
<code>DISplay:GLObal:B<x>:STATE</code>	Sets or queries the display mode (on or off) of the specified bus.
<code>DISplay:GLObal:CH<x>:STATE</code>	Sets or queries the display mode (on or off) of the specified channel (both analog and digital).
<code>DISplay:GLObal:MATH<x>:STATE</code>	Sets or queries the display mode (on or off) of the specified math.
<code>DISplay:GLObal:PLOT<x>:STATE</code>	Sets or queries the display mode (on or off) of the specified time trend plot.

Table 2-28: Display control commands (cont.)

Command	Description
DISplay:GLObal:REF<x>:STATE	Sets or queries the display mode (on or off) of the specified reference.
DISplay:INTENSITY?	Returns the waveform and graticule saturation levels.
DISplay:INTENSITY:BACKLight	Sets or queries the waveform backlight intensity settings.
DISplay:INTENSITY:BACKLight:AUTODim:ENABle	Sets or queries the state of the display auto-dim feature.
DISplay:INTENSITY:BACKLight:AUTODim:TIME	Sets or queries the amount of time, in minutes, to wait for no user interface activity before automatically dimming the display.
DISplay:MATHFFTView<x>:AUTOScale	Sets or returns the enabled state of autoscale for plots.
DISplay:MATHFFTView<x>:GRIDlines	Sets or queries the grid lines setting of the plot.
DISplay:MATHFFTView<x>:MATH:MATH<x>:STATE	Sets or queries the state of the specified math waveform in the specified Waveform View.
DISplay:MATHFFTView<x>:XAXIS:SCALE	Sets or queries the x-axis scale setting for FFT Math waveforms.
DISplay:MATHFFTView<x>:YAXIS:SCALE	Sets or queries the vertical scale setting for FFT Maths.
DISplay:PERsistence	Sets or queries display persistence setting.
DISplay:PERsistence:RESET	Clears the persistence data.
DISplay:PLOTView<x>:AUTOScale	Sets or queries the enabled state of autoscale for plots.
DISplay:PLOTView<x>:GRIDlines	Sets or queries the Grid lines setting of the specified plot.
DISplay:PLOTView<x>:XAXIS:SCALE	Sets or queries the horizontal scale setting for applicable plot.
DISplay:PLOTView<x>:YAXIS:SCALE	Sets or queries the vertical scale setting for applicable plots.
DISplay:REFFFTView<x>:AUTOScale	Sets or queries the enabled state of auto-scale for plots.
DISplay:REFFFTView<x>:GRIDlines	Sets or returns the grid lines setting of the plot.
DISplay:REFFFTView<x>:REF:REF<x>:STATE	Sets or queries the state of the specified reference waveform in the specified Waveform View.
DISplay:REFFFTView<x>:XAXIS:SCALE	Sets or queries the x-axis scale setting for REFFFT.
DISplay:SElect:BUS	Sets or queries the overall selected bus.
DISplay:SElect:MATH	Sets or queries the overall selected math.
DISplay:SElect:REFerence	Sets or queries the overall selected reference waveform.
DISplay:SElect:SOUrce	Sets or queries the overall selected source.
DISplay:SElect:SPECView<x>:SOUrce	Sets or queries the spectrum trace (source channel) to select in the Spectrum View window.
DISplay:SPECView<x>:CH<x>:VERTical:POSition	Sets or queries the vertical position of the specified channel in the specified Spectrum View.
DISplay:SPECView<x>:CH<x>:VERTical:SCALE	Sets or queries the vertical scale of the specified channel in the specified Spectrum View.
DISplay:SPECView<x>:GRATICule	Sets or queries the type of graticule that is displayed.
DISplay:SPECView<x>:HORZ	Sets or queries the horizontal display scaling of the Spectrum View window.
DISplay:SPECView<x>:INTENSITY:GRATICule	Sets or queries the graticule saturation level

Table 2-28: Display control commands (cont.)

Command	Description
DISplay:SPECView<x>:INTENSITY:WAVEform	Sets or queries the waveform saturation level.
DISplay:SPECView<x>:VIEWStyle	Sets or queries the waveform layout style used by the display.
DISplay:SElect:VIEW	Sets or queries the selected view.
DISplay:SElect:WAVEView<x>:SOUrce	Sets or queries the selected source in the given waveview.
DISplay:VARpersist	Sets or queries the persistence decay time.
DISplay:WAVEform	Globally enables or disables the waveform display.
DISplay:WAVEView<x>:BUS:B<x>:STATE	Sets or queries the state of the specified bus in the specified Waveform View.
DISplay:WAVEView<x>:BUS:B<x>:VERTical:POSition	Sets or queries the vertical position of the specified bus in the specified Waveform View.
DISplay:WAVEView<x>:CH<x>:STATE	Sets or queries the state of the specified channel in the specified Waveform View.
DISplay:WAVEView<x>:CH<x>:VERTical:POSition	Sets or queries the vertical position of the specified channel in the specified Waveform View in divisions.
DISplay:WAVEView<x>:CH<x>:VERTical:SCAle	Sets or queries the vertical scale of the specified channel in volts per division within the specified Waveform View.
DISplay:WAVEView<x>:CH<x>_DALL:STATE	Sets or queries the display state of the specified digital channels in the specified Waveform View.
DISplay:WAVEView<x>:CH<x>_DALL:VERTical:POSition	Sets or queries the vertical position of the specified digital channel in the specified Waveform View in divisions.
DISplay:WAVEView<x>:CH<x>_D<x>:STATE	Sets or queries the display state of the specified digital channel in the specified Waveform View.
DISplay:WAVEView<x>:FILTer	Sets or queries the type of interpolation filter for the display.
DISplay:WAVEView<x>:GRATicule	Selects or queries the type of graticule that is displayed.
DISplay:WAVEView<x>:INTENSITY:GRATicule	Sets or queries the graticule saturation level.
DISplay:WAVEView<x>:INTENSITY:WAVEform	Sets or queries the waveform saturation level.
DISplay:WAVEView<x>:MATH:MATH<x>:AUTOScale	Sets or queries whether the specified math gets auto-scaled when the math equation changes within the specified Waveform View.
DISplay:WAVEView<x>:MATH:MATH<x>:STATE	Sets or queries the state of the specified math waveform in the specified Waveform View.
DISplay:WAVEView<x>:MATH:MATH<x>:VERTical:POSition	Sets or queries the vertical position in divisions of the specified math waveform.
DISplay:WAVEView<x>:MATH:MATH<x>:VERTical:SCAle	Sets or queries the vertical scale of the specified math waveform.
DISplay:WAVEView<x>:PLOT:PLOT<x>:AUTOScale	Sets or queries whether the specified math gets auto-scaled when the math equation changes within the specified Waveform View.
DISplay:WAVEView<x>:PLOT:PLOT<x>:STATE	Sets or queries the state of the specified trend waveform in the specified Waveform View.
DISplay:WAVEView<x>:PLOT:PLOT<x>:VERTical:POSition	Sets or queries the vertical position of the specified time trend in the specified Waveform View in divisions.

Table 2-28: Display control commands (cont.)

Command	Description
DISplay:WAVEView<x>:PLOT:PLOT<x>:VERTical:SCALE	Sets or queries the vertical scale of the specified time trend in volts per division in the specified Waveform View.
DISplay:WAVEView<x>:REF<x>_DALL:FRAMe	Sets or returns the selected frame of the specified digital ref.
DISplay:WAVEView<y>:REF:REF<x>:FRAMe	sets or returns the selected frame of the specified analog ref.
DISplay:WAVEView<x>:REF:REF<x>:STATE	Sets or queries the state of the specified reference waveform in the specified Waveform View.
DISplay:WAVEView<x>:REF:REF<x>:VERTical:POSition	Sets or queries the vertical position in divisions of the specified reference waveform.
DISplay:WAVEView<x>:REF:REF<x>:VERTical:SCALE	Sets or queries the vertical scale of the specified reference waveform.
DISplay:WAVEView<x>:RF_FREQUency<x>:VERTical:POSition	Sets or queries the vertical position of the specified Frequency vs. Time trace in the Waveform View, in divisions.
DISplay:WAVEView<x>:RF_FREQUency<x>:VERTical:SCALE	Sets or queries the vertical scale of the specified Frequency vs. Time trace in the Waveform View, in divisions.
DISplay:WAVEView<x>:RF_MAGNitude<x>:VERTical:POSition	Sets or queries the vertical position of the specified Magnitude vs. Time trace in the Waveform View, in divisions.
DISplay:WAVEView<x>:RF_MAGNitude<x>:VERTical:SCALE	Sets or queries the vertical scale of the specified Magnitude vs. Time trace in the specified Waveform View in Volts, Watts, or dB per division.
DISplay:WAVEView<x>:RF_PHASe<x>:VERTical:POSition	Sets or queries the vertical position of the specified Phase vs. Time trace in the Waveform View, in divisions.
DISplay:WAVEView<x>:RF_PHASe<x>:VERTical:SCALE	Sets or queries the vertical scale of the specified Phase vs. Time trace in the specified Waveform View in degrees per division.
DISplay:WAVEView<x>:STYLE	Sets or queries the waveforms are displayed for analysis mode.
DISplay:WAVEView<x>:VIEWStyle	Sets or queries the waveform layout style used by the display.
DISplay:WAVEView:GRIDTYPE	Sets or queries the Waveform View Graticule mode (Fixed or Moveable).
DISplay:PLOTView<x>:XAXIS:SCALE	Sets or queries the horizontal scale setting for applicable plots, either Linear or Log.
DISplay:PLOTView<x>:YAXIS:SCALE	Sets or queries the vertical scale setting for applicable plots, either Linear or Log.

DVM Command Group

Use the commands in the DVM command group for Digital Voltmeter functionality. Requires DVM option (free with product registration).

Table 2-29: DVM Command Group

Command	Description
DVM	Resets the Digital Voltmeter measurements and history.
DVM:AUTORange	Sets or queries the autorange state for the Digital Voltmeter.
DVM:MEASUrement:FREQUency?	Returns the current frequency value for the Digital Voltmeter.

Table 2-29: DVM Command Group (cont.)

Command	Description
DVM:MEASUrement:HIStory:AVErage?	Returns the average readout value for the Digital Voltmeter function over the history period.
DVM:MEASUrement:HIStory:MAXimum?	Returns the maximum readout value for the DVM function over the history period.
DVM:MEASUrement:HIStory:MINimum?	Returns the minimum readout value for the DVM function over the history period.
DVM:MEASUrement:INFMAXimum?	Returns the maximum DVM readout value over the entire time that the DVM has been on since the last change using the DVM:MODE or DVM:SOURce commands or DVM RESET.
DVM:MEASUrement:INFMINimum?	Returns the minimum readout value of the DVM function over the entire time that the DVM has been on since the last change using the DVM:MODE or DVM:SOURce commands or DVM RESET.
DVM:MEASUrement:VALue?	Returns the DVM readout value.
DVM:MODE	Specifies or queries the mode to use for the Digital Voltmeter.
DVM:SOURce	Sets or queries the source for the Digital Voltmeter.
DVM:TRIGger:FREQuency:COUNTer	Sets or queries the state of the trigger frequency counter.

Ethernet Command Group

Use the commands in the Ethernet Command Group to set up the 10BASE-T, 100BASE-TX, 1000BASE-TX or 100BASE-T Ethernet remote interface.

Table 2-30: Ethernet Commands

Command	Description
ETHERnet:DHCPbootp	Specifies the network initialization search for a DHCP/BOOTP server.
ETHERnet:DNS:IPADdress	Specifies the network Domain Name Server (DNS) IP address.
ETHERnet:DOMAINname	Specifies the network domain name.
ETHERnet:ENET:ADDress?	Returns the Ethernet address (MAC address) value assigned to the instrument.
ETHERnet:GATEWay:IPADdress	Specifies the network gateway IP address.
ETHERnet:IPADdress	Specifies the IP address assigned to the instrument.
ETHERnet:LXI:LAN:RESET	Resets the LXI local area network.
ETHERnet:LXI:LAN:SERVICENAME	Specifies the mDNS service name used for the LXI interface.
ETHERnet:LXI:LAN:STATus?	Returns the LXI network status.
ETHERnet:NAME	Sets or queries the instrument Ethernet hostname assigned to the instrument.
ETHERnet:NETWORKCONFig	Specifies the Ethernet network configuration setting.
ETHERnet:PING	Causes the instrument to ping the gateway IP address.
ETHERnet:PING:STATus?	Returns the results from sending the ETHERnet:PING command to ping the gateway IP address.
ETHERnet:SUBNETMask	Specifies the network subnet mask value.

File system command group

Use the commands in the File System Command Group to help you use the built-in hard disk drive. You can use the commands to do the following:

- List the contents of the current directory
- Create and delete directories
- Create, copy, read, rename, or delete a file

When using these commands, keep the following points in mind:

- File arguments are always enclosed within double quotes:
“C:\MYDIR\TEK00001.SET”
- File names follow the MS-DOS format: [DRIVE:][\PATH]filename
- Path separators can be either forward slashes (/) or back slashes (\)

NOTE. Using a back slash as a path separator can produce some unexpected results, depending on how your controller application treats escaped characters. Many applications recognize the sequence of a back slash followed by an alphabetic character as an escaped character, and, as such, interpret that alphabetic character as a control character. For example, the sequence “\n” might be interpreted as a newline character; “\t” might be interpreted as a tab character. To ensure that this interpretation does not occur, you can use double back slashes. For example, “C:\\testfile.txt”.

- Some FILESystem commands can fail because a file has read-only attributes. You will not be able to delete or replace such files until this attribute is removed. Refer to the operating system help on file properties for further information.

Table 2-31: File system commands

Command	Description
FILESystem?	Returns the file system state.
FILESystem:COpy	Copies one or more files to a new file.
FILESystem:CWD	Sets or queries the current working directory for FILESystem commands.
FILESystem:DELEte	Deletes a named file or directory.
FILESystem:DIR?	Returns a list of directory contents.
FILESystem:HOMEDir?	Returns the current user's home directory.
FILESystem:LDIR?	Returns a list of directory contents.
FILESystem:MKDir	Makes a new directory.
FILESystem:MOUNT:DRIVE	Mounts a network drive or queries if a network drive is currently mounted.
FILESystem:MOUNT:TEKDrive	Mounts the TekDrive specified by the quoted string arguments.

Table 2-31: File system commands (cont.)

Command	Description
FILESystem:READFile	Copies the named file to the interface.
FILESystem:REName	Assigns a new name to an existing file.
FILESystem:RMDir	Deletes the named directory.
FILESystem:TEKDrive:CODE?	Returns short code in string format.
FILESystem:TEKDrive:CODE:EXPIrytime?	Returns expiry time of short code.
FILESystem:TEKDrive:CODE:STATus?	Returns status of short code.
FILESystem:UNMOUNT:DRIVE	Unmount the USB drive.
FILESystem:UNMOUNT:TEKDrive	Unmounts the TekDrive specified by the quoted string argument and the drive name is case insensitive.
FILESystem:WRITEFile	Copies the block data to a named file.

Histogram Group

Use the commands in the Histogram command group for Histogram functionality.

Table 2-32: Histogram Command Group

Command	Description
HISTogram:ADDNew	Adds the specified waveform histogram
HISTogram:DELEte	Deletes the specified histogram.
HISTogram:DELETEALL	Deletes all the active instances of histograms defined in the scope application.
HISTogram:HISTogram<x>:BOX	Sets or queries the top, left, bottom and right positions of the histogram box in source waveform coordinates.
HISTogram:HISTogram<x>:BSTate	Sets or queries whether the histogram badge is displayed.
HISTogram:HISTogram<x>:DATA?	Returns a comma separated list of numbers representing the histogram bin data.
HISTogram:HISTogram<x>:DISPlay	Sets or queries the histogram scaling display setting.
HISTogram:HISTogram<x>:FUNCTion	Sets or queries the histogram mode.
HISTogram:HISTogram<x>:MEASurement:COUNT	Sets or queries whether the waveform count measurement is enabled on the histogram.
HISTogram:HISTogram<x>:MEASurement:HITS	Sets or queries whether the Hits in Box measurement is enabled on the histogram.
HISTogram:HISTogram<x>:MEASurement:MAX	Sets or queries whether the Max measurement is enabled on the histogram.
HISTogram:HISTogram<x>:MEASurement:MEAN	Sets or queries whether the Mean measurement is enabled on the histogram.
HISTogram:HISTogram<x>:MEASurement:MEDian	Sets or queries whether the Median measurement is enabled on the histogram.
HISTogram:HISTogram<x>:MEASurement:MIN	Sets or queries whether the Min measurement is enabled on the histogram.

Table 2-32: Histogram Command Group (cont.)

Command	Description
HISTogram:HISTogram<x>:MEASurement:MODE	Sets or queries whether the Mode measurement is enabled on the histogram.
HISTogram:HISTogram<x>:MEASurement:ONESigma	Sets or queries whether the $\mu\pm 1\sigma$ measurement is enabled on the histogram.
HISTogram:HISTogram<x>:MEASurement:PHITs	Sets or queries whether the Peak Hits measurement is enabled on the histogram.
HISTogram:HISTogram<x>:MEASurement:PK2PK	Sets or queries whether the Peak-to-peak measurement is enabled on the histogram.
HISTogram:HISTogram<x>:MEASurement:RESUlts?	Returns the measurement results from the specified histogram.
HISTogram:HISTogram<x>:MEASurement:STDDev	Sets or queries whether the Standard Deviation measurement is enabled on the histogram.
HISTogram:HISTogram<x>:MEASurement:THRSigma	Sets or queries whether the $\mu\pm 3\sigma$ measurement is enabled on the histogram.
HISTogram:HISTogram<x>:MEASurement:TWOSigma	Sets or queries whether the $\mu\pm 2\sigma$ measurement is enabled on the histogram.
HISTogram:HISTogram<x>:SAVE	Saves the specified histograms data as a comma separated list of values.
HISTogram:HISTogram<x>:SIZE	Sets or queries the height or width of the specified histogram bins in divisions.
HISTogram:HISTogram<x>:SOUrce	Sets or queries which source waveform will be compared against the histogram box when the histogram testing is enabled.
HISTogram:HISTogram<x>:STATE	Sets or queries whether histogram calculations are enabled for the specified histogram.
HISTogram:HISTogram<x>:TRANSparency	Sets or queries the transparency of the histogram bins.
HISTogram:LIST?	Returns a comma separated list of all currently defined histograms.

History Group

Use the commands in the History command group for History mode functionality.

Table 2-33: History Command Group

Command	Description
TSAmptable:ADDNew	Adds a new History time stamp results table to the scope.
TSAmptable:DELETE	Deletes the requested History time stamp results table
TSAmptable:LIST?	Returns the list of History time stamp results tables has been added.

Horizontal command group

Horizontal commands control the time base of the instrument. You can set the time per division (or time per point) of the main time base. You can use the Horizontal commands to do the following:

- Set the scale, horizontal position and reference, and units of the time base
- Get the screen resolution, time of first point and time of last point, or get all the horizontal settings
- Enable or disable the display of the time base

Table 2-34: Horizontal commands

Command	Description
ACquire:NUMFRAMESACquired?	Returns the number of FastFrame frames which have been acquired.
HORizontal?	Queries the current horizontal settings.
HORizontal:ACQDURATION?	Returns the time base duration.
HORizontal:DELay:MODE	Sets or queries the horizontal delay mode.
HORizontal:DELay:TIME	Sets or queries the horizontal delay time (position) that is used when delay is on.
HORizontal:DIVisions?	Returns the number of graticule divisions over which the waveform is displayed.
HORizontal:FASTframe?	Returns all information under horizontal:fastframe.
HORizontal:FASTframe:COUNt	Sets or returns the number of frames.
HORizontal:FASTframe:MAXFRames?	Returns the maximum number of frames.
HORizontal:FASTframe:MULTipleframes:MODE	Sets or returns the overlay display type.
HORizontal:FASTframe:REF:FRame	Sets or returns the reference frame number.
HORizontal:FASTframe:REF:INCLUde	Sets or returns whether the reference frame delta information is shown in the display.
HORizontal:FASTframe:SELECTED	Sets or returns the selected frame number for acquired frames.
HORizontal:FASTframe:STATE	Sets or returns the state of FastFrame.
HORizontal:FASTframe:SUMFrame	Sets or returns the summary frame type.
HORizontal:FASTframe:SUMFrame:STATE	Sets or returns the state of FastFrame summary frame.
HORizontal:FASTframe:TIMEStamp:REFerence?	Returns the time-stamp of the FastFrame Reference frame.
HORizontal:FASTframe:TIMEStamp:SELECTED?	Returns the time-stamp of the FastFrame Selected acquired frame.
HORizontal:FASTframe:TIMEStamp:DELTA?	Returns the time difference between the Selected and Reference time-stamps.
HORizontal:FASTframe:TIMEStamp:ALL?	Returns the time stamp of all frames.
HORizontal:FASTframe:XZEro:ALL?	Returns the sub-sample time between the trigger sample (designated by PT_OFF) and the occurrence of the actual trigger for the waveform specified by the DATA:SOURce command for all frames.
HORizontal:FASTframe:XZEro:REF?	Returns the sub-sample time between the trigger sample (designated by PT_OFF) and the occurrence of the actual trigger for the waveform specified by the DATA:SOURce command for the reference frame.

Table 2-34: Horizontal commands (cont.)

Command	Description
HORizontal:FASTframe:XZEro:SELECTED?	Returns the sub-sample time between the trigger sample (designated by PT_OFF) and the occurrence of the actual trigger for the waveform specified by the DATA:SOURce command for the selected frame.
HORizontal:HISTory:CSTATs	Sets or queries the history cumulative statistics type.
HORizontal:HISTory:OVERlay	Sets or queries whether all acquisitions in history are overlaid in the waveform view.
HORizontal:HISTory:REF:ACQ	Sets or queries the reference acquisition in History.
HORizontal:HISTory:REF:INCLude	Sets or queries whether the history reference acquisition is included in the user interface history badge or not.
HORizontal:HISTory:SELected	Sets or queries the selected acquisition in History.
HORizontal:HISTory:STATe	Sets or queries the state of History.
HORizontal:HISTory:TIMEStamp:DELTA?	Returns the difference between the timestamps of the history reference acquisition and the history selected acquisition.
HORizontal:HISTory:TIMEStamp:REFerence?	Returns the timestamp of the history reference acquisition.
HORizontal:HISTory:TIMEStamp:SELECTED?	Returns the timestamp of the history selected acquisition.
HORizontal:MAIn:INTERPRatio?	Returns the main horizontal time base interpolation ratio.
HORizontal:MODE	Sets or queries the horizontal mode.
HORizontal:MODE:AUTOmatic:FASTAcq:RECOrdlength:MAXimum:VALue	Sets or queries the horizontal FastAcq maximum record length.
HORizontal:MODE:AUTOmatic:FASTAcq:RECOrdlength:MAXimum:ZOOMOVERride	Sets or queries the flag which allows override of the horizontal FastAcq maximum record length.
HORizontal:MODE:MANual:CONFIGure	Sets or queries which horizontal control (scale or record length) will also change when the sample rate is adjusted.
HORizontal:MODE:RECOrdlength	Sets or queries the record length.
HORizontal:MODE:SAMPLERate	Sets or queries the sample rate.
HORizontal:MODE:SCALE	Sets or queries the horizontal scale.
HORizontal:POSition	Sets or queries the waveform horizontal position, in percent, that is used when delay is off.
HORizontal:PREViewstate?	Returns the display system preview state.
HORizontal:RECOrdlength	Sets or queries the horizontal record length.
HORizontal:ROLL?	Queries the horizontal roll mode status.
HORizontal:SAMPLERate	Sets or queries the horizontal sample rate.
HORizontal:SAMPLERate:ANALYZemode:MINimum:OVERRide	Sets or queries the flag which allows override of the horizontal analyze minimum sample rate.
HORizontal:SAMPLERate:ANALYZemode:MINimum:VALue	Sets or queries the minimum sample rate used by Analysis Automatic horizontal mode.
HORizontal:SCALE	Sets or queries the horizontal scale.

Inverter Motors and Drive Analysis (IMDA) Group

Use the commands in the IMDA group for input analysis, output analysis, ripple analysis measurements.

Table 2-35: IMDA Command Group

Command	Description
CUSTOMTABLE:ADDNew	Adds a new custom results table.
CUSTOMTABLE:DELeTe	Deletes the custom result(s) table..
CUSTOMTABLE:LIST?	Queries the list of custom result tables have been added.
MEASUrement:ADDMEAS	Adds a measurement.
MEASUrement:AUTOset	Performs a specified autoseT.
MEASUrement:HIGHLiVEl:CONFIGuration	Sets or queries the global input and output configuration.
MEASUrement:HIGHLiVEl:EDGEQUALifier	Sets or queries global input edge qualifier source.
MEASUrement:HIGHLiVEl:INLOWPass:FREQ	Sets or queries global input low pass filter frequency.
MEASUrement:HIGHLiVEl:INLOWPass:SPEC	Sets or queries global input low pass filter order.
MEASUrement:HIGHLiVEl:L2LTOL2N	Enables the Line-to-Line to Line-to-Neutral Conversion.
MEASUrement:HIGHLiVEl:LINESelected	Sets or queries global input select lines.
MEASUrement:HIGHLiVEl:OUTEDGEQUALifier	Sets or queries global output edge qualifier source.
MEASUrement:HIGHLiVEl:OUTLOWPass:FREQ	Sets or queries global output low pass filter frequency.
MEASUrement:HIGHLiVEl:OUTLOWPass:SPEC	Sets or queries global output low pass filter order.
MEASUrement:HIGHLiVEl:OUTL2LTOL2N	Sets or queries global output Line-to-Line to Line-to-Neutral Conversion.
MEASUrement:HIGHLiVEl:OUTLINESelected	Sets or queries global output select lines.
MEASUrement:HIGHLiVEl:OUTSOURCE	Sets or queries global output source.
MEASUrement:HIGHLiVEl:OUTWIRing	Sets or queries the global output wiring.
MEASUrement:HIGHLiVEl:SOURCE	Sets or queries global input source.
MEASUrement:HIGHLiVEl:WIRing	Sets or queries the wiring configuration for the measurement.
MEASUrement:MEAS<x>:COVer	Sets or queries the Calculate Over for the Power Quality measurement.
MEASUrement:MEAS<x>:CUSTOMLIMITSFile	Sets or queries the custom limits file path for custom harmonics standard.
MEASUrement:MEAS<x>:CYCLemode	Sets or queries cycle mode.
MEASUrement:MEAS<x>:EDGEQUALifier	Sets or queries the Edge Qualifier source.
MEASUrement:MEAS<x>:FILTERRANGEFROM	Sets or queries harmonics filter from order.
MEASUrement:MEAS<x>:FILTERRANGETO	Sets or queries harmonics filter to order.

Table 2-35: IMDA Command Group (cont.)

Command	Description
MEASUREMENT:MEAS<x>:FILTERS:LOWPASS:FREQ	Sets or queries local input low pass filter frequency.
MEASUREMENT:MEAS<x>:FILTERS:LOWPASS:SPEC	Sets or queries local input low pass filter order.
MEASUREMENT:MEAS<x>:FREQ	Sets or queries switching frequency for Switching Ripple measurement.
MEASUREMENT:MEAS<x>:FUNDCURRENT	Sets or queries the fundamental current value for IEC-Class C type harmonics standard.
MEASUREMENT:MEAS<x>:HARMONICSCCLASS	Sets or queries the class type for the harmonics measurement.
MEASUREMENT:MEAS<x>:HARMONICSSOURCE	Sets or queries harmonics source.
MEASUREMENT:MEAS<x>:HARMONICSSSTD	Sets or queries harmonics standard.
MEASUREMENT:MEAS<x>:HARMONICSUNITS	Sets or queries harmonics units.
MEASUREMENT:MEAS<x>:HIGHLEVEL:CONFIGURATION	Sets or queries the local input and output configuration.
MEASUREMENT:MEAS<x>:HIGHLEVEL:L2LTOL2N	Sets or queries local input Line-to-Line to Line-to-Neutral Conversion.
MEASUREMENT:MEAS<x>:HIGHLEVEL:LINESELECTED	Sets or queries local input select lines.
MEASUREMENT:MEAS<x>:HIGHLEVEL:OUTL2LTOL2N	Sets or queries local output Line-to-Line to Line-to-Neutral Conversion.
MEASUREMENT:MEAS<x>:HIGHLEVEL:OUTLINESELECTED	Sets or queries local output select lines.
MEASUREMENT:MEAS<x>:HIGHLEVEL:OUTWIRING	Sets or queries the local output wiring.
MEASUREMENT:MEAS<x>:HIGHLEVEL:USEGLOBAL	Sets or queries the IMDA source settings as global or local.
MEASUREMENT:MEAS<x>:HIGHLEVEL:WIRING	Sets or queries the local Input wiring.
MEASUREMENT:MEAS<x>:HTORQUE	Sets or queries the measurement High Torque value.
MEASUREMENT:MEAS<x>:HVOLTAGE	Sets or queries the measurement Torque High Voltage value.
MEASUREMENT:MEAS<x>:INPUTPOWER	Sets or queries the input power value for IEC-Class C and Class D harmonics standard.
MEASUREMENT:MEAS<x>:LINESELECTED	Sets or queries selected lines for the measurement.
MEASUREMENT:MEAS<x>:LTORQUE	Sets or queries the measurement Low Torque value.
MEASUREMENT:MEAS<x>:LVOLTAGE	Sets or queries the measurement Torque Low Voltage value.
MEASUREMENT:MEAS<x>:MECH:EINDEXZ	Sets or queries the specified mechanical Index Z source.
MEASUREMENT:MEAS<x>:MECH:GRATIO	Sets or queries the gear ratio for the specific measurement.
MEASUREMENT:MEAS<x>:MECH:MUNITS	Sets or queries the specified mechanical measurement results units.
MEASUREMENT:MEAS<x>:MECH:PPAIRS	Sets or queries the number of pole pairs for the specific measurement.

Table 2-35: IMDA Command Group (cont.)

Command	Description
MEASUrement:MEAS<x>:MECH:PPRotation	Sets or queries the specified pulses per rotation of the measurement.
MEASUrement:MEAS<x>:MECH:STYPe	Sets or queries the local measurement sensor type.
MEASUrement:MEAS<x>:ODDEVen	Sets or queries harmonics oddeven.
MEASUrement:MEAS<x>:OFILters: LOWPass:FREQ	Sets or returns the cut-off frequency value for a measurement.
MEASUrement:MEAS<x>:OUTFILters: LOWPass:SPEC	Sets or returns low pass filter specification for a measurement.
MEASUrement:MEAS<x>:OSANgLe	Sets or queries the specified measurement Offset angle.
MEASUrement:MEAS<x>: OUTEDGEQUALifier	Sets or queries local output edge qualifier source.
MEASUrement:MEAS<x>:OUTFILters: LOWPass:FREQ	Sets or queries the measurement output low pass filter frequency.
MEASUrement:MEAS<x>:OUTFILters: LOWPass:SPEC	Sets or queries the measurement output low pass filter specification.
MEASUrement:MEAS<x>:POWERFACTOR	Sets or queries the power factor value for IEC-Class C type harmonics standard.
MEASUrement:MEAS<x>:SEQuence	Sets or queries the sequence of hall edges.
MEASUrement:MEAS<x>: SIGNALFREQUency	Sets or queries line frequency for Harmonics and Line Ripple frequency.
MEASUrement:MEAS<x>:SOURCE	Sets or queries local input source.
MEASUrement:MEAS<x>:STYPe	Sets or queries the source type.
MEASUrement:MEAS<x>:SUBGROUP: RESUlts:CURRentacq:MEAN?	Returns the mean value of the measurement for the current acquisition.
MEASUrement:MEAS<x>:SUNits	Sets or queries the speed units for the specific measurement.
MEASUrement:MEAS<x>:TCONstant	Sets or queries the measurement Torque Constant.
MEASUrement:MEAS<x>:TDRPreset	Executes the preset for TDR measurement.
MEASUrement:MEAS<x>:TMETHod	Sets or queries the measurement Torque Method.
MEASUrement:MEAS<x>:TYPe	Sets or queries the measurement type for the measurement.
MEASUrement:MECH:EINDExz	Sets or queries the global mechanical Index Z source.
MEASUrement:MECH:GRATio	Sets or queries the measurement gear ratio.
MEASUrement:MECH:MUNits	Sets or queries the global mechanical measurement results units.
MEASUrement:MECH:PPAIRs	Sets or queries the measurement number of pole pairs.
MEASUrement:MECH:PPRotation	Sets or queries the global pulses per rotation of the measurement.
MEASUrement:MECH:SOURce<x>	Sets or queries the global mechanical source of the specified source number.
MEASUrement:MECH:STYPe	Sets or queries the measurement sensor type.

Mask command group

Mask commands compare incoming waveforms to standard or user-defined masks. A mask is a set of polygonal regions on the screen. Unlike limit testing, the inside of a mask is the region where waveform data would not normally fall. Standards with eye patterns usually have three masks, but some have four.

Table 2-36: Mask commands

Command	Description
EYEMASK:MASK<x>:COUNT:HITS?	Returns the total number of hit violations for all segments in the specified eye diagram mask test.
EYEMASK:MASK<x>:COUNT:SEG<y>:HITS?	Returns the number of hit violations for the specified segment (area) in the specified eye diagram mask test.
EYEMASK:MASK<x>:CREATor?	Returns the name of the eye diagram plot that created the mask.
EYEMASK:MASK<x>:ENabled	Enables or disables eye mask testing in the specified plot.
EYEMASK:MASK<x>:MASKfile	Sets or queries the current mask definition file name for the specified mask test.
EYEMASK:MASK<x>:MASKOffset:HORizontal:AUTOfit?	Returns the mask offset value in the specified mask in seconds.
EYEMASK:MASK<x>:TEST:SAMple:THReshold	Sets or queries the total number of hit violations that will cause a mask test failure.
EYEMASK:MASK<x>:TEST:STATUS?	Returns the mask hit test status for the specified mask test.
MASK:DELete	Deletes all mask segments of the specified mask test.
MASK:MASK<x>:COUNT?	Returns the total number of mask hits in all segments and the number of mask hits in each individual mask segment for the specified mask test.
MASK:MASK<x>:COUNT:HITS?	Returns the total number of mask hits in all mask segments for the specified mask test.
MASK:MASK<x>:DEFinedby	Sets or queries whether the specified mask is defined by segments or tolerances.
MASK:MASK<x>:DISplay	Sets or queries the display state of the mask used for the specified mask test.
MASK:MASK<x>:LIST?	Queries the list of segments in the mask used by the specified mask test.
MASK:MASK<x>:SEG<x>:POINTS	Sets or queries the X/Y coordinates of all points in the designated mask segment.
MASK:MASK<x>:COUNT:SEG<x>:HITS?	Returns the total number of mask hits in the specified mask segment of the specified mask test.
MASK:MASK<x>:SOUrce	Sets or queries analog source for the specified mask test.
MASK:MASK<x>:TEST:CTHReshold	Sets or queries the number of consecutive waveform violations needed for the specified mask test to change from PASS to FAIL.
MASK:MASK<x>:TEST:STATE	Sets or queries state of the specified mask test.
MASK:MASK<x>:TEST:STATUS?	Queries the status of the specified mask test.
MASK:MASK<x>:TEST:THReshold	Sets or queries the number of waveform violations needed for the specified mask test to change from PASS to FAIL.
MASK:MASK<x>:TOLerance:HABSolute	Sets or queries the mask horizontal tolerance in absolute units of seconds.
MASK:MASK<x>:TOLerance:HORizontal	Sets or queries the mask horizontal tolerance.

Table 2-36: Mask commands (cont.)

Command	Description
MASK:MASK<x>:TOLerance:UPDateNow	Causes the tolerance mask to be recalculated with the current horizontal and vertical tolerances.
MASK:MASK<x>:TOLerance:VABSolute	Sets or queries the mask vertical tolerance in absolute units of the mask source.
MASK:MASK<x>:TOLerance:VERTical	Sets or queries the mask vertical tolerance.
MASK:MASK<x>:TTYPe	Sets or queries the type of tolerance values used when defining a tolerance mask.
MASK:TEST:WAVEforms	Sets or queries the number of waveform acquisitions to test during mask testing.
RECALL:MASK	Recalls a saved mask definition from a Mask File.

Math command group

Use the commands in the Math Command Group to create and define math waveforms. Use the available math functions to define your math waveform.

The math waveform you create depends on sources listed in the math expression. If you change these sources, the math waveforms you previously defined will be affected.

Math expressions can be simple, containing no mathematical computation, such as CH1, which specifies that a waveform shows the signal source of channel 1. Math expressions can also be complex, consisting of 100 plus characters and comprising many sources, functions, and operands.

The acquisition of a live waveform can stop for several reasons: You can turn off the channel, stop the waveform (via Run/Stop from the Horiz/Acq menu), or stop the trigger (via Run/Stop from the Trig menu). When you turn off the channel, math continues and data is acquired but is not displayed. When you stop either the waveform or the trigger, the math calculation stops, and the last math calculation performed is displayed.

When a live waveform updates or a reference waveform is altered, math waveforms containing those waveforms as sources are also updated to reflect the changes. Also, sources must exist but do not need to be displayed to be used in and to update math waveforms.

NOTE. *Math commands are present once a math has been added.*

Table 2-37: Math commands

Command	Description
<code>DISplay:GLObal:MATH<x>:STATE</code>	Sets or queries the global state of the specified math.
<code>DISplay:SElect:MATH</code>	Sets or queries the overall selected math.
<code>DISplay:WAVEView<x>:MATH:MATH<x>:STATE</code>	Sets or queries the state of the specified math waveform in the specified Waveform View.
<code>DISplay:WAVEView<x>:MATH:MATH<x>:VERTical:POSition</code>	Sets or queries the vertical position in divisions of the specified math waveform.
<code>DISplay:WAVEView<x>:MATH:MATH<x>:VERTical:SCAle</code>	Sets or queries the vertical scale of the specified math waveform.
<code>MATH:ADDNew</code>	Adds the specified math.
<code>MATHArbflt<x>:FILEpath</code>	Sets the file path for a file of filter coefficients and reads the file.
<code>MATH:DELete</code>	Deletes the specified math.
<code>MATH:LIST?</code>	Lists all currently defined math waveforms.
<code>MATH:MATH<x>:ARINC429A:SUPPortedfields</code>	Sets or queries the field type for the math for the bus source for ARINC429A bus.
<code>MATH:MATH<x>:AUDIO:SUPPortedfields</code>	Sets or queries the field type for the math for the bus source for Audio bus.

Table 2-37: Math commands (cont.)

Command	Description
MATH:MATH<x>:AUTOETHERnet: SUPPORTedfields	Sets or queries the field type for the math for the bus source for AUTOETHERnet bus.
MATH:MATH<x>:AVG:MODE	Sets or queries the math average mode flag.
MATH:MATH<x>:AVG:WEIGHT	Sets or queries the number of acquisitions at which the averaging algorithm will begin exponential averaging.
MATH:MATH<x>:CAN:SUPPORTedfields	Sets or queries the field type for the math for the bus source for CAN bus.
MATH:MATH<x>:CXPI:SUPPORTedfields	Sets or queries the field type for the math for the bus source for CXPI bus.
MATH:MATH<x>:ESPI:SUPPORTedfields	Sets or queries the field type for the math for the bus source for ESPI bus.
MATH:MATH<x>:ETHERCAT: SUPPORTedfields	Sets or queries the field type for the math for the bus source for ETHERCAT bus.
MATH:MATH<x>:ETHERnet:SUPPORTedfields	Sets or queries the field type for the math for the bus source for ETHERnet bus.
MATH:MATH<x>:EUSB:SUPPORTedfields	Sets or queries the field type for the math for the bus source for EUSB bus.
MATH:MATH<x>:FILTer:CFReq	Sets or queries the filter cutoff frequency.
MATH:MATH<x>:FILTer:DELay	Sets or queries the delay for all pass filter.
MATH:MATH<x>:FILTer:DESIgn	Performs filter specific Apply, Abort, and Generate operations.
MATH:MATH<x>:FILTer:HCFReq	Sets or queries the high cutoff frequency for bandpass or band stop filter.
MATH:MATH<x>:FILTer:INFo?	Returns filter information output once user created filter.
MATH:MATH<x>:FILTer:LCFReq	Sets or queries the low cutoff frequency for bandpass or band stop filter.
MATH:MATH<x>:FILTer:LOAD	Loads the filter file.
MATH:MATH<x>:FILTer:LOAD:RESPonse	Loads the filter responses and automatically apply filter option.
MATH:MATH<x>:FILTer:ORDER	Sets or queries the filter order.
MATH:MATH<x>:FILTer:PRIPple	Sets or queries the pass band ripple in the filter response.
MATH:MATH<x>:FILTer:RESPonse	Specifies or returns the filter response.
MATH:MATH<x>:FILTer:ROFactor	Sets or queries roll off factor for raised cosine or root raised cosine filter.
MATH:MATH<x>:FILTer:SATTenuation	Sets or queries the stop band attenuation in the filter response.
MATH:MATH<x>:FILTer:SAVe	Saves the filter file.
MATH:MATH<x>:FILTer:SAVe:RESPonse	Sets the filter response images to be saved while saving the filter file.
MATH:MATH<x>:FILTer:SDEViation	Sets or queries the standard deviation in Gaussian filter.
MATH:MATH<x>:FILTer:SDURation	Sets or queries the symbol duration for raised cosine or root raised cosine filter.
MATH:MATH<x>:FILTer:SOURce	Sets or queries color of the specified math filter source.
MATH:MATH<x>:FILTer:SYMBOLs	Sets or queries the symbol for raised cosine or root raised cosine filter.
MATH:MATH<x>:FILTer:TWIDTH	Sets or queries the filter transition width for Custom filter response
MATH:MATH<x>:FILTer:TYPE	Specifies or returns the filter type.
MATH:MATH<x>:FLEXray:SUPPORTedfields	Sets or queries the field type for the math for the bus source for FLEXray bus.
MATH:MATH<x>:FUNCTION	Sets or queries the basic math arithmetic function.
MATH:MATH<x>:I2C:SUPPORTedfields	Sets or queries the field type for the math for the bus source for I2C bus.
MATH:MATH<x>:I3C:SUPPORTedfields	Sets or queries the field type for the math for the bus source for I3C bus

Table 2-37: Math commands (cont.)

Command	Description
MATH:MATH<x>:INTERpolation	Sets or queries whether sinc interpolation is enabled for math on bus source.
MATH:MATH<x>:LABel:COLor	Sets or queries color of the specified math's label.
MATH:MATH<x>:LABel:FONT:BOld	Sets or queries bold state of the specified math label.
MATH:MATH<x>:LABel:FONT:ITALic	Sets or queries italic state of the specified math label.
MATH:MATH<x>:LABel:FONT:SIZE	Sets or queries font size of the specified math label.
MATH:MATH<x>:LABel:FONT:TYPE	Sets or queries font type of the specified math label.
MATH:MATH<x>:LABel:FONT:UNDERline	Sets or queries the underline state of the specified math label.
MATH:MATH<x>:LABel:XPOS	Sets or queries the X screen offset where the math waveform label is displayed.
MATH:MATH<x>:LABel:YPOS	Sets or queries the Y screen offset where the math waveform label is displayed.
MATH:MATH<x>:DEFine	Defines new waveforms using mathematical expressions.
MATH:MATH<x>:GATing	Specifies or returns the gating setting.
MATH:MATH<x>:LABel:NAME	Sets or queries the label string.
MATH:MATH<x>:LIN:SUPPortedfields	Sets or queries the field type for the math for the bus source for LIN bus.
MATH:MATH<x>:MDIO:SUPPortedfields	Sets or queries the field type for the math for the bus source for MDIO bus.
MATH:MATH<x>:MIL 1553B:SUPPortedfields	Sets or queries the field type for the math for the bus source for MIL 1553B bus.
MATH:MATH<x>:ONEWIRe:SUPPortedfields	Sets or queries the field type for the math for the bus source for ONEWIRe bus.
MATH:MATH<x>:PARAllel:SUPPortedfields	Sets or queries the field type for the math for the bus source for PARAllel bus.
MATH:MATH<x>:PSIFIVe:SUPPortedfields	Sets or queries the field type for the math for the bus source for PSIFIVe bus.
MATH:MATH<x>:RS232C:SUPPortedfields	Sets or queries the field type for the math for the bus source for RS232C bus.
MATH:MATH<x>:SDLC:SUPPortedfields	Sets or queries the field type for the math for the bus source for SDLC bus.
MATH:MATH<x>:SENT:SUPPortedfields	Sets or queries the field type for the math for the bus source for SENT bus.
MATH:MATH<x>:SIGNeddata	Sets or queries value to denote that bus field is decoded as signed/unsigned data for math on bus source.
MATH:MATH<x>:SMBUS:SUPPortedfields	Sets or queries the field type for the math for the bus source for SMBUS bus.
MATH:MATH<x>:SOUrce<x>	Sets or queries the specified math source.
MATH:MATH<x>:SPACEWIRe: SUPPortedfields	Sets or queries the field type for the math for the bus source for SPACEWIRe bus.
MATH:MATH<x>:SPECTral:HORZ	Sets or queries the horizontal display scale of the spectral math waveform.
MATH:MATH<x>:SPECTral:MAG	Sets or queries the units of the SpectralMag function in the specified math definition string.
MATH:MATH<x>:SPECTral:PHASE	Sets or queries the units of a SpectralPhase function in the specified math definition string.
MATH:MATH<x>:SPECTral:SOUrce	Sets or queries the specified spectral math source.
MATH:MATH<x>:SPECTral:SUPPress	Sets or queries whether suppression threshold for the specified math waveform is enabled.
MATH:MATH<x>:SPECTral:SUPPress:VALue	Sets or queries in volts the value of suppression threshold of the specified math waveform.
MATH:MATH<x>:SPECTral:TYPE	Sets or queries the FFT type selected for spectral analysis.

Table 2-37: Math commands (cont.)

Command	Description
MATH:MATH<x>:SPECTral:UNWRap	Sets or queries whether phase unwrap of the spectral analyzer output data is enabled.
MATH:MATH<x>:SPECTral:UNWRap:DEGrees	Sets or queries in degrees the value of unwrap phase.
MATH:MATH<x>:SPECTral:WINDow	Sets or queries the window function used to multiply the spectral analyzer input data for the specified math waveform.
MATH:MATH<x>:SPI:SUPPortedfields	Sets or queries the field type for the math for the bus source for SPI bus.
MATH:MATH<x>:SPMI:SUPPortedfields	Sets or queries the field type for the math for the bus source for SPMI bus.
MATH:MATH<x>:SVID:SUPPortedfields	Sets or queries the field type for the math for the bus source for SVID bus.
MATH:MATH<x>:TYPE	Sets or queries the math type.
MATH:MATH<x>:USB:SUPPortedfields	Sets or queries the field type for the math for the bus source for USB bus.
MATH:MATH<x>:VUNIT	Sets or queries the math custom vertical units.

Measurement command group

Use the commands in the Measurement Command Group to control the automated measurement system.

Measurement commands can set and query measurement parameters. You can assign parameters, such as waveform sources and reference levels, differently for each measurement.

Clock recovery, edge, filter, gating, population and range measurement commands can be either global or per-measurement.

Global clock recovery commands are of the form

```
:MEASUREMENT:CLOCKRECOVERY:XXXX
```

Global edge commands are of the form :MEASUREMENT:XXXX

Global filter commands are of the form :MEASUREMENT:FILTERS:XXXX

Global gating commands are of the form :MEASUREMENT:GATING:XXXX

Global population commands are of the form

```
:MEASUREMENT:POPULATION:XXXX
```

Global range commands are of the form :MEASUREMENT:MEASRANGE:XXXX

Reference levels for measurements can be global, per-measurement or per-source. The default is global. Per-measurement settings are used when local reference levels are enabled for the measurement with the command :MEASUREMENT:MEAS?:GLOBALREF 0. Per-source settings are used when per-source settings are enabled with the command :MEASUREMENT:REFLEVELS:TYPE PerSource and per-source settings are selected for the measurement with the command :MEASUREMENT:MEAS?:GLOBALREF 0.

Global reference level commands are of the form

```
:MEASUREMENT:REFLEVELS:XXXX
```

Per-source reference level commands are of the form

```
:MEASUREMENT:CH1:REFLEVELS:XXXX
```

```
:MEASUREMENT:MATH1:REFLEVELS:XXXX
```

When there is a change in source type then the measurements should be re-added to get valid results.

```
/* Add a reference slot on which to measure */
:REF:ADDNEW "REF1"
/* Set up the measurement parameters on the reference */
:MEASUREMENT:MEAS1:TYPE AMPLITUDE
:MEASUREMENT:MEAS1:SOURCE REF1
/* Load the new waveform file */
:RECALL:WAVEFORM "E:\waveform.wfm",REF1
*OPC?
/* wait for read from Output Queue. */
/* Take amplitude measurement */
:MEASUREMENT:MEAS1:RESULTS:CURRENTACQ:MEAN?
/* change analog to digital waveform file */
```

```

:RECALL:WAVEFORM "E:\digital8.wfm",REF1
*OPC?
/* Set up the measurement parameters on the reference
again*/
:MEASUREMENT:MEAS1:TYPE AMPLITUDE
/* Take amplitude measurement */
:MEASUREMENT:MEAS1:RESULTS:CURRENTACQ:MEAN?

```

Table 2-38: Measurement commands

Command	Description
CUSTOMTABLE:ADDNew	This command adds new custom results table.
CUSTOMTABLE:DELete	This command deletes the custom result(s) table that was added.
CUSTOMTABLE:LIST?	This command queries the list of custom result tables has been added.
MEASTABLE:ADDNew	Adds a new measurement results view table to the scope application.
MEASTABLE:DELETE	Removes the requested measurement results view table from the scope application.
MEASUREMENT?	This command returns all measurement parameters.
MEASUREMENT:ADDMEAS	This command adds a measurement.
MEASUREMENT:ADDNew	Adds the specified measurement.
MEASUREMENT:ANNOtate	This command sets or queries the annotation state for measurements.
MEASUREMENT:AUTOset	Performs a specified autose.
MEASUREMENT:CH<x>:REFLevels:ABSolute:FALLHigh	This command sets or queries the value used as the high reference level of the falling edge when the source ref level method is set to absolute.
MEASUREMENT:CH<x>:REFLevels:ABSolute:FALLLow	This command sets or queries the value used as the low reference level of the falling edge when the source ref level method is set to absolute.
MEASUREMENT:CH<x>:REFLevels:ABSolute:FALLMid	This command sets or queries the value used as the mid reference level of the falling edge when the source ref level method is set to absolute.
MEASUREMENT:CH<x>:REFLevels:ABSolute:HYSTeresis	This command sets or queries the value of the hysteresis of the reference level when the source ref level method is set to absolute.
MEASUREMENT:CH<x>:REFLevels:ABSolute:RISEHigh	This command sets or queries the value used as the high reference level of the rising edge when the source ref level method is set to absolute.
MEASUREMENT:CH<x>:REFLevels:ABSolute:RISELow	This command sets or queries the value used as the low reference level of the rising edge when the source ref level method is set to absolute.
MEASUREMENT:CH<x>:REFLevels:ABSolute:RISEMid	This command sets or queries the value used as the mid reference level of the rising edge when the source ref level method is set to absolute.
MEASUREMENT:CH<x>:REFLevels:ABSolute:TYPE	This command sets or queries the reference level type for the source.
MEASUREMENT:CH<x>:REFLevels:BASETop	This command sets or queries the method used to calculate the TOP and BASE, used to calculate reference levels for the measurement.
MEASUREMENT:CH<x>:REFLevels:METHod	This command sets or queries the method used to calculate reference levels for the source.

Table 2-38: Measurement commands (cont.)

Command	Description
MEASUrement:CH<x>:REFLevels:PERCent:FALLHigh	This command sets or queries the percentage (where 99% is equal to TOP and 1% is equal to BASE) used to calculate the high reference level of the falling edge when the source ref level method is set to percent.
MEASUrement:CH<x>:REFLevels:PERCent:FALLLow	This command sets or queries the percentage (where 99% is equal to TOP and 1% is equal to BASE) used to calculate the mid reference level of the falling edge when the source ref level method is set to percent.
MEASUrement:CH<x>:REFLevels:PERCent:FALLMid	This command sets or queries the percentage (where 99% is equal to TOP and 1% is equal to BASE) used to calculate the mid reference level of the falling edge when the source ref level method is set to percent.
MEASUrement:CH<x>:REFLevels:PERCent:HYSteresis	This command sets or queries the percentage (where 100% is equal to MAX and 0% is equal to MIN) used to calculate the hysteresis of the reference level when the source ref level method is set to percent.
MEASUrement:CH<x>:REFLevels:PERCent:RISEHigh	This command sets or queries the percentage (where 99% is equal to TOP and 1% is equal to BASE) used to calculate the high reference level of the rising edge when the source ref level method is set to percent.
MEASUrement:CH<x>:REFLevels:PERCent:RISELow	This command sets or queries the percentage (where 99% is equal to TOP and 1% is equal to BASE) used to calculate the low reference level of the rising edge when the source ref level method is set to percent.
MEASUrement:CH<x>:REFLevels:PERCent:RISEMid	This command sets or queries the percentage (where 99% is equal to TOP and 1% is equal to BASE) used to calculate the mid reference level of the rising edge when the source ref level method is set to percent.
MEASUrement:CH<x>:REFLevels:PERCent:TYPE	This command specifies or queries the reference level percent type for the source.
MEASUrement:CLOCKRecovery:ADVanced:METhod	This command sets or queries the global advanced clock recovery method.
MEASUrement:CLOCKRecovery:CLOCKFrequency	This command sets or queries the global clock frequency used for fixed constant clock recovery.
MEASUrement:CLOCKRecovery:CLOCKMultiplier	This command sets or queries the global clock multiplier used for explicit clock recovery.
MEASUrement:CLOCKRecovery:CONSTCLOCKMODE	This command sets or queries the global constant clock mode used for constant clock recovery.
MEASUrement:CLOCKRecovery:DAMPing	This command sets or queries the global damping value used for PLL clock recovery.
MEASUrement:CLOCKRecovery:DATAPath	This command sets or queries the global file containing the data pattern used for known data pattern clock recovery.
MEASUrement:CLOCKRecovery:DATARate	This command sets or queries the global nominal data bit rate used for nominal data rate clock recovery.
MEASUrement:CLOCKRecovery:EXPLICITCLOCKMODE	This command sets or queries the global explicit clock mode used for explicit clock recovery.
MEASUrement:CLOCKRecovery:JTFBandwidth	This command sets or queries the global JTF bandwidth used for PLL clock recovery.

Table 2-38: Measurement commands (cont.)

Command	Description
MEASUrement:CLOCKRecovery:LOOPBandwidth	This command sets or queries the global loop bandwidth used for PLL clock recovery.
MEASUrement:CLOCKRecovery:MEANAUTOCalculate	This command sets or queries how often the clock is calculated for constant clock recovery.
MEASUrement:CLOCKRecovery:METHod	This command sets or queries the global clock recovery method.
MEASUrement:CLOCKRecovery:MODEl	This command sets or queries the global PLL clock recovery model used for PLL clock recovery.
MEASUrement:CLOCKRecovery:NOMINALOFFset	This command sets or queries the global offset value used for explicit clock recovery.
MEASUrement:CLOCKRecovery:NOMINALOFFset:SELECTIONtype	This command sets or queries the global offset type used for explicit clock recovery.
MEASUrement:CLOCKRecovery:STAndard	This command sets or queries the global communications standard used for PLL clock recovery.
MEASUrement:CLOCKRecovery:TDCOMPensation	Sets the PLL clock recovery loop feedback time-constants such that the actual transfer function matches closely to a mathematical filter polynomial.
MEASUrement:DELeTe	The command deletes the specified measurement.
MEASUrement:DELETEALL	Deletes all the active instances of measurements defined in the scope application.
MEASUrement:DIRacmodel	This command sets or queries the dirac model used to separate random from deterministic jitter for jitter measurements.
MEASUrement:DISPLAYUnits	This command sets or queries the display units used for jitter summary measurements.
MEASUrement:EDGE<x>	Sets or queries the type of the edge for the measurement.
MEASUrement:YERENDER	This command sets or queries the state of high-performance eye rendering for an eye diagram.
MEASUrement:FILTerS:BLANKingtime	This command sets or queries the global filter blanking time.
MEASUrement:FILTerS:HIGHPass:FREQ	This command sets or queries the global high pass filter frequency.
MEASUrement:FILTerS:HIGHPass:SPEC	This command sets or queries the global high pass filter order.
MEASUrement:FILTerS:LOWPass:FREQ	This command sets or queries the global low pass filter cutoff frequency.
MEASUrement:FILTerS:LOWPass:SPEC	This command sets or queries the global low pass filter order.
MEASUrement:FILTerS:RAMptime	This command sets or queries the global filter ramp time.
MEASUrement:GATing	This command sets or queries the global gating type.
MEASUrement:GATing:ACTive	This command sets or queries the global gating active level used for logic gating.
MEASUrement:GATing:ENDtime	Sets or queries the end gate time for all measurements that use Global gating.
MEASUrement:GATing:HYSTeresis	This command sets or queries the global gating hysteresis value used for logic gating.
MEASUrement:GATing:LOGICSource	This command sets or queries the gating data source used for logic gating.
MEASUrement:GATing:MIDRef	This command sets or queries the global gating mid ref value used for logic gating.

Table 2-38: Measurement commands (cont.)

Command	Description
MEASUrement:GATing:SEARCHSource	This command sets or queries the global gating search source used for logic gating.
MEASUrement:GATing:STARTtime	Sets or queries the start gate time for all measurements that use Global gating.
MEASUrement:HIGHLEVel:L2LTOL2N	Enables the Line-to-Line to Line-to-Neutral Conversion.
MEASUrement:HIGHLEVel:WIRing	Sets or queries the wiring configuration for the measurement.
MEASUrement:INTERp	This command sets or queries the interpolation mode used to locate edge crossings.
MEASUrement:JITTermodel	This command sets or queries the model used to separate random from deterministic jitter for jitter measurements.
MEASUrement:LIST?	Lists all currently defined measurements.
MEASUrement:LOCKRJ	Sets or queries the state of RJ locking.
MEASUrement:LOCKRJValue	Sets or queries the RJ lock value.
MEASUrement:MATH<x>:REFLevels:ABSolute:FALLHigh	This command sets or queries the value used as the high reference level of the falling edge when the source ref level method is set to absolute.
MEASUrement:MATH<x>:REFLevels:ABSolute:FALLLow	This command sets or queries the value used as the low reference level of the falling edge when the source ref level method is set to absolute.
MEASUrement:MATH<x>:REFLevels:ABSolute:FALLMid	This command sets or queries the value used as the mid reference level of the falling edge when the source ref level method is set to absolute.
MEASUrement:MATH<x>:REFLevels:ABSolute:HYSTeresis	This command sets or queries the value of the hysteresis of the reference level when the source ref level method is set to absolute.
MEASUrement:MATH<x>:REFLevels:ABSolute:RISEHigh	This command sets or queries the value used as the high reference level of the rising edge when the source ref level method is set to absolute.
MEASUrement:MATH<x>:REFLevels:ABSolute:RISELow	This command sets or queries the value used as the low reference level of the rising edge when the source ref level method is set to absolute.
MEASUrement:MATH<x>:REFLevels:ABSolute:RISEMid	This command sets or queries the value used as the mid reference level of the rising edge when the source ref level method is set to absolute.
MEASUrement:MATH<x>:REFLevels:ABSolute:TYPE	This command sets or queries the reference level type for the source.
MEASUrement:MATH<x>:REFLevels:BASETop	This command sets or queries the method used to calculate the TOP and BASE used to calculate reference levels for the source.
MEASUrement:MATH<x>:REFLevels:METHod	This command sets or queries the method used to calculate reference levels for the source.
MEASUrement:MATH<x>:REFLevels:PERCent:FALLHigh	This command sets or queries the percentage (where 99% is equal to TOP and 1% is equal to BASE) used to calculate the high reference level of the falling edge when the source ref level method is set to percent.
MEASUrement:MATH<x>:REFLevels:PERCent:FALLLow	This command sets or queries the percentage (where 99% is equal to TOP and 1% is equal to BASE) used to calculate the mid reference level of the falling edge when the source ref level method is set to percent.

Table 2-38: Measurement commands (cont.)

Command	Description
MEASUrement:MATH<x>:REFLevels:PERCent:FALLMid	This command sets or queries the percentage (where 99% is equal to TOP and 1% is equal to BASE) used to calculate the mid reference level of the falling edge when the source ref level method is set to percent.
MEASUrement:MATH<x>:REFLevels:PERCent:HYSTeresis	This command sets or queries the percentage (where 100% is equal to MAX and 0% is equal to MIN) used to calculate the hysteresis of the reference level when the source ref level method is set to percent.
MEASUrement:MATH<x>:REFLevels:PERCent:RISEHigh	This command sets or queries the percentage (where 99% is equal to TOP and 1% is equal to BASE) used to calculate the high reference level of the rising edge when the source ref level method is set to percent.
MEASUrement:MATH<x>:REFLevels:PERCent:RISELow	This command sets or queries the percentage (where 99% is equal to TOP and 1% is equal to BASE) used to calculate the low reference level of the rising edge when the source ref level method is set to percent.
MEASUrement:MATH<x>:REFLevels:PERCent:RISEMid	This command sets or queries the percentage (where 99% is equal to TOP and 1% is equal to BASE) used to calculate the mid reference level of the rising edge when the source ref level method is set to percent.
MEASUrement:MATH<x>:REFLevels:PERCent:TYPE	This command specifies or queries the reference level percent type for the source.
MEASUrement:MEAS<x>:ABANdwidth	Sets or queries the analysis bandwidth for the measurement.
MEASUrement:MEAS<x>:ACHANnels	Sets or queries the number of adjacent channels for the measurement.
MEASUrement:MEAS<x>:AMETHod	Sets or queries the analysis method used to compute eye width or eye height.
MEASUrement:MEAS<x>:BER	This command sets or queries the BER value for the measurement.
MEASUrement:MEAS<x>:BER:TARGETBER	This command sets or queries the target BER value for the measurement.
MEASUrement:MEAS<x>:BIN	This command sets or queries the bin count for the measurement.
MEASUrement:MEAS<x>:BITAbsolute	Sets or queries the bit center as an absolute value.
MEASUrement:MEAS<x>:BITCfmode	This command sets or queries whether the measurement returns the mean or mode statistic result when the measurement type is bit amplitude/high/low.
MEASUrement:MEAS<x>:BITEnd	This command sets or queries the bit end as a percentage of the unit interval.
MEASUrement:MEAS<x>:BITPcnt	This command sets or queries the bit center as a percentage of the unit interval.
MEASUrement:MEAS<x>:BITStart	This command sets or queries the bit start as a percentage of the unit interval.
MEASUrement:MEAS<x>:BITType	This command sets or queries the bit type for the measurement.
MEASUrement:MEAS<x>:BURSTEDGTYPe	This command sets or queries the burst edge type for the measurement.
MEASUrement:MEAS<x>:BVOLTage	Sets or returns the bias voltage for WBG measurement.
MEASUrement:MEAS<x>:CCRESUlts:ALLAcqs:MAXimum?	This query-only command returns the maximum cycle-cycle value for the specified measurement for all acquisitions.
MEASUrement:MEAS<x>:CCRESUlts:ALLAcqs:MEAN?	This query-only command returns the mean cycle-cycle value for the specified measurement for all acquisitions.

Table 2-38: Measurement commands (cont.)

Command	Description
MEASUrement:MEAS<x>:CCRESUlts:ALLAcqs:MINimum?	This query-only command returns the minimum cycle-cycle value for the specified measurement for all acquisitions.
MEASUrement:MEAS<x>:CCRESUlts:ALLAcqs:PK2PK?	This query-only command returns the peak to peak cycle-cycle statistic for the specified measurement for all acquisitions.
MEASUrement:MEAS<x>:CCRESUlts:ALLAcqs:POPulation?	This query-only command returns the population of all cycle-cycle statistics for the specified measurement for all acquisitions accumulated since statistics were last reset.
MEASUrement:MEAS<x>:CCRESUlts:ALLAcqs:STDDev?	This query-only command returns the standard deviation cycle-cycle for the specified measurement for all acquisitions.
MEASUrement:MEAS<x>:CCRESUlts:CURRentacq:MAXimum?	This query-only command returns the maximum cycle-cycle value for the specified measurement for the current acquisition.
MEASUrement:MEAS<x>:CCRESUlts:CURRentacq:MEAN?	This query-only command returns the mean cycle-cycle value for the specified measurement for the current acquisition.
MEASUrement:MEAS<x>:CCRESUlts:CURRentacq:MINimum?	This query-only command returns the minimum cycle-cycle value for the specified measurement for the current acquisition.
MEASUrement:MEAS<x>:CCRESUlts:CURRentacq:PK2PK?	This query-only command returns the peak to peak cycle-cycle statistic for the specified measurement for the current acquisition.
MEASUrement:MEAS<x>:CCRESUlts:CURRentacq:POPulation?	This query-only command returns the population of the cycle-cycle statistics for the specified measurement for the current acquisition.
MEASUrement:MEAS<x>:CCRESUlts:CURRentacq:STDDev?	This query-only command returns the standard deviation cycle-cycle for the specified measurement for the current acquisition.
MEASUrement:MEAS<x>:CLOCKRecovery:ADVanced:METHod	This command sets or queries the advanced clock recovery method when advanced clock recovery is used for the measurement.
MEASUrement:MEAS<x>:CLOCKRecovery:CLOCKFrequency	This command sets or queries the clock frequency used when fixed constant clock recovery is used for the measurement.
MEASUrement:MEAS<x>:CLOCKRecovery:CLOCKMultiplier	This command sets or queries the clock multiplier used when explicit clock recovery is used for the measurement.
MEASUrement:MEAS<x>:CLOCKRecovery:CONSTCLOCKMODE	This command sets or queries the constant clock mode used when constant clock recovery is used for the measurement.
MEASUrement:MEAS<x>:CLOCKRecovery:DAMPing	This command sets or queries the damping value used when PLL clock recovery is used for the measurement.
MEASUrement:MEAS<x>:CLOCKRecovery:DATAPath	This command sets or queries the file containing the data pattern used when known data pattern clock recovery is used for the measurement.
MEASUrement:MEAS<x>:CLOCKRecovery:DATARate	This command sets or queries the nominal data bit rate when nominal data rate clock recovery is used for the measurement.
MEASUrement:MEAS<x>:CLOCKRecovery:EXPLICITCLOCKMODE	This command sets or queries the explicit clock mode used when explicit clock recovery is used for the measurement.
MEASUrement:MEAS<x>:CLOCKRecovery:GLOBal	This command sets or queries the clock recovery settings global flag for the measurement.

Table 2-38: Measurement commands (cont.)

Command	Description
MEASUrement:MEAS<x>:CLOCKRecovery:JTFBandwidth	This command sets or queries the JTF bandwidth used when PLL clock recovery is used for the measurement.
MEASUrement:MEAS<x>:CLOCKRecovery:LOOPBandwidth	This command sets or queries the loop bandwidth used when PLL clock recovery is used for the measurement.
MEASUrement:MEAS<x>:CLOCKRecovery:MEANAUTOCalculate	This command sets or queries how often the clock is calculated when constant clock recovery is used for the measurement.
MEASUrement:MEAS<x>:CLOCKRecovery:METHod	This command sets or queries the clock recovery method for the measurement.
MEASUrement:MEAS<x>:CLOCKRecovery:MODeI	This command sets or queries the PLL clock recovery model used when PLL clock recovery is used for the measurement.
MEASUrement:MEAS<x>:CLOCKRecovery:NOMINALOFFset	This command sets or queries the offset value used when explicit clock recovery is used for the measurement.
MEASUrement:MEAS<x>:CLOCKRecovery:NOMINALOFFset:SELECTIONtype	This command sets or queries the offset type used when explicit clock recovery is used for the measurement.
MEASUrement:MEAS<x>:CLOCKRecovery:STAndard	This command sets or queries the communications standard when PLL clock recovery is used for the measurement.
MEASUrement:MEAS<x>:CLOCKRecovery:TDCOMPensation	sets the PLL clock recovery loop feedback time-constants such that the actual transfer function matches closely to a mathematical filter polynomial.
MEASUrement:MEAS<x>:COMMONMode:FILTers:STATE	This command sets or queries whether a filter is used for the measurement when the measurement type is AC common mode.
MEASUrement:MEAS<x>:COMMONMode:SOURCES	Sets or queries the number of sources for the measurement when the measurement type is AC common mode.
MEASUrement:MEAS<x>:COVer	Sets or queries the Calculate Over for the Power Quality measurement.
MEASUrement:MEAS<x>:CPWIDTH	Sets or queries the channel power width for the measurement.
MEASUrement:MEAS<x>:CSPACing	Sets or queries the channel spacing for the measurement.
MEASUrement:MEAS<x>:CUSTOMLIMITSFile	Sets and queries the custom limits file path for custom harmonics standard.
MEASUrement:MEAS<x>:CYCLemode	This command sets or queries the cycle mode for the measurement.
MEASUrement:MEAS<x>:DBDown	Sets or queries the dB down value for the measurement.
MEASUrement:MEAS<x>:DELay:EDGE<x>	This command sets or queries the 'to edge' type when EDGE? is EDGE1 and the 'from edge' type when EDGE? is EDG2, for the measurement when the measurement type is DELAY.
MEASUrement:MEAS<x>:DISPlaystat:ENABle	Turns on and off the display of statistics in measurement badges.
MEASUrement:MEAS<x>:EDGE<x>	This command sets or queries the type of the specified edge, rise or fall, for the measurement.
MEASUrement:MEAS<x>:EDGEIncre	This command sets or queries the edge increment value for the measurement.
MEASUrement:MEAS<x>:EDGEQUALifier	Sets and queries the Edge Qualifier source.
MEASUrement:MEAS<x>:EDGES:FROMLevel	This command sets or queries the 'from level' edge for the measurement.

Table 2-38: Measurement commands (cont.)

Command	Description
MEASUrement:MEAS<x>:EDGES:LEVel	This sets or queries the level type for the 'time outside level' measurement.
MEASUrement:MEAS<x>:EDGES:LOWERFREQuency	This command sets or queries the lower frequency for the measurement when the measurement type is phase noise. Lower frequencies are ignored.
MEASUrement:MEAS<x>:EDGES:N	The command sets or queries the number of accumulation cycles for the measurement when the measurement type is nperiod.
MEASUrement:MEAS<x>:EDGES:SLEWRATEMethod	This command sets or queries the slew rate method for the measurement.
MEASUrement:MEAS<x>:EDGES:TOLevel	This command sets or queries the 'to level' edge for the measurement.
MEASUrement:MEAS<x>:EDGES:UPPERFREQuency	This command sets or queries the upper frequency for the measurement when the measurement type is phase noise. Higher frequencies are ignored.
MEASUrement:MEAS<x>:EEQUal	Turns on or off the edge qualifier settings as input waveform to measurement.
MEASUrement:MEAS<x>:EINDuctance	Sets or returns the effective inductance for WBG measurement.
MEASUrement:MEAS<x>:EINTerpolation	Sets or queries whether dot mode eye diagram is enabled.
MEASUrement:MEAS<x>:EXTENDuis	Sets or returns number of UIs considered for analysis of eye width or eye height measurement.
MEASUrement:MEAS<x>:EYERender	Sets or queries the eye rendering method.
MEASUrement:MEAS<x>:FAILCount?	Returns the number of measurement failures, if applicable, for the selected measurement.
MEASUrement:MEAS<x>:FILTERRANGEFROM	This command sets or queries harmonics filter from order.
MEASUrement:MEAS<x>:FILTERRANGETO	This command sets or queries harmonics filter to order.
MEASUrement:MEAS<x>:FILTErs:BLANKingtime	This command sets or queries the filter blanking time for the measurement.
MEASUrement:MEAS<x>:FILTErs:GLOBal	This command sets or queries the global flag for filter settings for the measurement.
MEASUrement:MEAS<x>:FILTErs:HIGHPass:FREQ	This command sets or queries the high pass filter frequency for the measurement.
MEASUrement:MEAS<x>:FILTErs:HIGHPass:SPEC	This command sets or queries the high pass filter order for the measurement.
MEASUrement:MEAS<x>:FILTErs:LOWPass:FREQ	This command sets or queries the low pass filter cutoff frequency for the measurement.
MEASUrement:MEAS<x>:FILTErs:LOWPass:SPEC	This command sets or queries the low pass filter order for the measurement.
MEASUrement:MEAS<x>:FILTErs:RAMPTime	This command sets or queries the filter ramp time for the measurement.
MEASUrement:MEAS<x>:FORDer	Sets or returns the differential filter order for WBG measurement.
MEASUrement:MEAS<x>:FPARAMeter	Sets or queries the roll off factor for the RRC filter in the measurement.
MEASUrement:MEAS<x>:FREQ	Sets or queries switching frequency for Switching Ripple measurement.
MEASUrement:MEAS<x>:FROMedge	This command sets or queries the 'from edge' type for the measurement.

Table 2-38: Measurement commands (cont.)

Command	Description
MEASUrement:MEAS<x>: FROMEDGESEARCHDIRect	This command sets or queries the 'from edge' search direction for the measurement.
MEASUrement:MEAS<x>:FROMSymbol: LOGIC2SOUrce	This command sets or queries the DDR digital measurement logic 1 source From symbol.
MEASUrement:MEAS<x>:FROMSymbol: LOGIC3SOUrce	This command sets or queries the DDR digital measurement logic 2 source From symbol.
MEASUrement:MEAS<x>:FROMSymbol: LOGIC4SOUrce	This command sets or queries the DDR digital measurement logic 3 source From symbol.
MEASUrement:MEAS<x>:FROMSymbol: LOGIC5SOUrce	This command sets or queries the DDR digital measurement logic 4 source From symbol.
MEASUrement:MEAS<x>:FROMSymbol: MEASUREAT	This command sets or queries the DDR digital measurement From Symbol MeasureAT value.
MEASUrement:MEAS<x>:FTYPE	Sets or returns whether the RRC filter is enabled or not.
MEASUrement:MEAS<x>:FUNDCURRent	Sets and queries the fundamental current value for IEC-Class C type harmonics standard.
MEASUrement:MEAS<x>:GATing	This command sets or queries the gating type for the measurement.
MEASUrement:MEAS<x>:GATing:ACTive	This command sets or queries the gating active level when the gating type is logic.
MEASUrement:MEAS<x>:GATing:ENDtime	Sets or queries the end gate time for the measurement when using Local gating.
MEASUrement:MEAS<x>:GATing:GLOBal	This command sets or queries the gating settings global flag.
MEASUrement:MEAS<x>:GATing:HYSTeresis	This command sets or queries the gating hysteresis value when the gating type is logic.
MEASUrement:MEAS<x>:GATing: LOGICSource	This command sets or queries the gating data source when the gating type is logic.
MEASUrement:MEAS<x>:GATing:MIDRef	This command sets or queries the gating mid ref value when the gating type is logic.
MEASUrement:MEAS<x>:GATing: SEARCHSource	This command sets or queries the gating search source when the gating type is search.
MEASUrement:MEAS<x>:GATing:STARTtime	Sets or queries the start gate time for the measurement when using Local gating.
MEASUrement:MEAS<x>:GLOBalref	This command sets or queries the reference levels global flag for the measurement.
MEASUrement:MEAS<x>:HARMONICSClass	Sets and queries the class type for the harmonics measurement.
MEASUrement:MEAS<x>: HARMONICSSOURce	Sets or queries harmonics source.
MEASUrement:MEAS<x>:HARMONICSStd	Sets or queries harmonics standard.
MEASUrement:MEAS<x>:HARMONICSUNits	Sets or queries harmonics units.
MEASUrement:MEAS<x>:HIGHREFVoltage	Sets or queries the high reference voltage value for the 'time outside level' measurement.
MEASUrement:MEAS<x>:HLEVEL:OUTPut: UGLobal	Turns on or off output global settings for measurement

Table 2-38: Measurement commands (cont.)

Command	Description
MEASUrement:MEAS<x>:IDLETime	Sets or queries the idle time for the measurement when the measurement type is burst width.
MEASUrement:MEAS<x>:INPUTPOwer	Sets and queries the input power value for IEC-Class C and Class D harmonics standard.
MEASUrement:MEAS<x>:JITTERSummary:DCD	This command sets or queries whether DCD is included in the jitter summary for the measurement.
MEASUrement:MEAS<x>:JITTERSummary:DDJ	This command sets or queries whether DDJ is included in the jitter summary for the measurement.
MEASUrement:MEAS<x>:JITTERSummary:DJDD	This command sets or queries whether DJ-dd is included in the jitter summary for the measurement.
MEASUrement:MEAS<x>:JITTERSummary:EYEWIDTHBER	This command sets or queries whether EyeWidth@BER is included in the jitter summary for the measurement.
MEASUrement:MEAS<x>:JITTERSummary:NPJ	This command sets or queries whether NPJ is included in the jitter summary for the measurement.
MEASUrement:MEAS<x>:JITTERSummary:PJ	This command sets or queries whether PJ is included in the jitter summary for the measurement.
MEASUrement:MEAS<x>:JITTERSummary:RJDD	This command sets or queries whether RJ-dd is included in the jitter summary for the measurement.
MEASUrement:MEAS<x>:JITTERSummary:TIE	This command sets or queries whether TIE is included in the jitter summary for the measurement.
MEASUrement:MEAS<x>:JITTERSummary:TJBER	This command sets or queries whether TJ@BER is included in the jitter summary for the measurement.
MEASUrement:MEAS<x>:LABel	This command sets or queries the label for the measurement.
MEASUrement:MEAS<x>:LINESelected	Sets or queries selected lines for the measurement.
MEASUrement:MEAS<x>:LOWREFVoltage	This command sets or queries the low reference voltage value for the 'time outside level' measurement.
MEASUrement:MEAS<x>:LTYPE	Sets or returns the value for the level type as auto or custom.
MEASUrement:MEAS<x>:LUNITs	Sets or returns the value for the level units as percentage or absolute.
MEASUrement:MEAS<x>:MAXCUrrent	Sets or returns the maximum current.
MEASUrement:MEAS<x>:MAXCycle	Sets or queries the maximum cycle value for the DDRTERRN and DDRTERRMN measurements.
MEASUrement:MEAS<x>:MAXGVoltage	Sets or returns the maximum gate voltage.
MEASUrement:MEAS<x>:MEASRange:GLOBal	Sets or queries the range settings global flag for the measurement.
MEASUrement:MEAS<x>:MEASRange:MAX	Sets or queries the range maximum value for the measurement.
MEASUrement:MEAS<x>:MEASRange:MIN	Sets or queries the range minimum value for the measurement.
MEASUrement:MEAS<x>:MEASRange:STATE	Sets or queries the range state for the measurement.

Table 2-38: Measurement commands (cont.)

Command	Description
MEASUrement:MEAS<x>:MECH:GRATio	Sets or queries the gear ratio for the specific measurement
MEASUrement:MEAS<x>:MECH:PPAirs	Sets or queries the number of pole pairs for the specific measurement.
MEASUrement:MEAS<x>:MECH:STYPe	Sets or queries the local measurement sensor type.
MEASUrement:MEAS<x>:MINCycle	Sets or queries the minimum cycle value for the DDRTERRN and DDRTERRMN measurements.
MEASUrement:MEAS<x>:OBWMethod	Sets or queries the RF measurement Occupied Bandwidth method type.
MEASUrement:MEAS<x>:ODDEVen	Sets or queries harmonics oddeven.
MEASUrement:MEAS<x>:OUTFILTerS: LOWPass:FREQ	Sets and queries the measurement output low pass filter frequency cutoff frequency on the scope.
MEASUrement:MEAS<x>:OUTFILTerS: LOWPass:SPEC	Sets and queries the measurement output low pass filter specification filter order on the scope.
MEASUrement:MEAS<x>:PASSFAILEnabled	Sets or returns the pass/fail test enable status.
MEASUrement:MEAS<x>:PASSFAILHIGHlimit	Sets or returns the high limit for a measurement test.
MEASUrement:MEAS<x>:PASSFAILIMit	Sets or returns the limit for a measurement test.
MEASUrement:MEAS<x>:PASSFAILLOWlimit	Sets or returns the low limit for a measurement test.
MEASUrement:MEAS<x>:PASSFAILMARGin	Sets or returns the allowed margin for limit comparisons for all pass/fail checks
MEASUrement:MEAS<x>:PASSFAILWHEN	Sets or returns the condition on which a measurement test fails.
MEASUrement:MEAS<x>: PATTERNDETECTION	This command sets or queries the pattern detection type for the measurement.
MEASUrement:MEAS<x>:PATTERNLENgth	This command sets or queries the pattern length for the measurement.
MEASUrement:MEAS<x>:PATTERNTYPe	This command sets or queries the pattern type for the measurement.
MEASUrement:MEAS<x>:PCOUNT	Sets or returns number of pulses.
MEASUrement:MEAS<x>:PERFREQ:EDGE	This command sets or queries the edge type of a Period/Frequency measurement.
MEASUrement:MEAS<x>:POLarity	This command sets or queries the polarity for the measurement when the measurement type is burst width.
MEASUrement:MEAS<x>:POPowEr	Sets or queries the Percentage Power to be measured for the Occupied Bandwidth measurement
MEASUrement:MEAS<x>:POPulation:GLOBal	This command sets or queries the population settings global flag.
MEASUrement:MEAS<x>:POPulation:LIMIT: STATE	This command sets or queries the population limit state for the measurement.
MEASUrement:MEAS<x>:POPulation:LIMIT: VALue	This command sets or queries the population limit value for the measurement.
MEASUrement:MEAS<x>:POWERFActor	Set and queries the power factor value for IEC-Class C type harmonics standard.
MEASUrement:MEAS<x>:PREGion	Sets or returns pulse region for measurement.
MEASUrement:MEAS<x>:PRESistance	Sets or returns the probe resistance for WBG measurement.

Table 2-38: Measurement commands (cont.)

Command	Description
MEASUrement:MEAS<x>:PWIDTH	Sets or returns pulse width.
MEASUrement:MEAS<x>:REDGe	Turns on or off the Refine edge on qualifier.
MEASUrement:MEAS<x>:REFLevels: ABSolute:FALLHigh	This command sets or queries the value used as the high reference level of the falling edge when the measurement's ref level method is set to absolute.
MEASUrement:MEAS<x>:REFLevels<x>: ABSolute:FALLLow	This command sets or queries the value used as the low reference level of the falling edge when the measurement's ref level method is set to absolute.
MEASUrement:MEAS<x>:REFLevels<x>: ABSolute:FALLMid	This command sets or queries the value used as the mid reference level of the falling edge when the measurement's ref level method is set to absolute.
MEASUrement:MEAS<x>:REFLevels<x>: ABSolute:HYSteresis	This command sets or queries the value of the hysteresis of the reference level when the measurement's ref level method is set to absolute.
MEASUrement:MEAS<x>:REFLevels<x>: ABSolute:RISEHigh	This command sets or queries the value used as the high reference level of the rising edge when the measurement's ref level method is set to absolute.
MEASUrement:MEAS<x>:REFLevels<x>: ABSolute:RISELow	This command sets or queries the value used as the low reference level of the rising edge when the measurement's ref level method is set to absolute.
MEASUrement:MEAS<x>:REFLevels<x>: ABSolute:RISEMid	This command sets or queries the value used as the mid reference level of the rising edge when the measurement's ref level method is set to absolute.
MEASUrement:MEAS<x>:REFLevels<x>: ABSolute:TYPE	This command sets or queries the reference level type for the measurement.
MEASUrement:MEAS<x>:REFLevels<x>: BASETop	This command sets or queries the method used to calculate the TOP and BASE used to calculate reference levels for the measurement.
MEASUrement:MEAS<x>:REFLevels<x>: METHod	This command sets or queries the method used to calculate reference levels for the measurement.
MEASUrement:MEAS<x>:REFLevels<x>: PERCent:FALLHigh	This command sets or queries the percentage (where 99% is equal to TOP and 1% is equal to BASE) used to calculate the high reference level of the falling edge when the measurement's ref level method is set to percent.
MEASUrement:MEAS<x>:REFLevels<x>: PERCent:FALLLow	This command sets or queries the percentage (where 99% is equal to TOP and 1% is equal to BASE) used to calculate the low reference level of the falling edge when the measurement's ref level method is set to percent.
MEASUrement:MEAS<x>:REFLevels<x>: PERCent:FALLMid	This command sets or queries the percentage (where 99% is equal to TOP and 1% is equal to BASE) used to calculate the mid reference level of the falling edge when the measurement's ref level method is set to percent.
MEASUrement:MEAS<x>:REFLevels<x>: PERCent:HYSteresis	This command sets or queries the percentage (where 99% is equal to MAX and 1% is equal to MIN) used to calculate the hysteresis of the reference level when the measurement's ref level method is set to percent.
MEASUrement:MEAS<x>:REFLevels<x>: PERCent:RISEHigh	This command sets or queries the percentage (where 99% is equal to TOP and 1% is equal to BASE) used to calculate the high reference level of the rising edge when the measurement's ref level method is set to percent.
MEASUrement:MEAS<x>:REFLevels<x>: PERCent:RISELow	This command sets or queries the percentage (where 99% is equal to TOP and 1% is equal to BASE) used to calculate the low reference level of the rising edge when the measurement's ref level method is set to percent.

Table 2-38: Measurement commands (cont.)

Command	Description
MEASUrement:MEAS<x>:REFLevels<x>: PERCent:RISEMid	This command sets or queries the percentage (where 99% is equal to TOP and 1% is equal to BASE) used to calculate the mid reference level of the rising edge when the measurement's ref level method is set to percent.
MEASUrement:MEAS<x>:REFLevels<x>: PERCent:TYPE	This command specifies or queries the reference level percent type for the measurement.
MEASUrement:MEAS<x>:REFMode	This command sets or queries the reference level mode for the measurement.
MEASUrement:MEAS<x>:REFVoltage	This command sets or queries the reference voltage value for the measurement.
MEASUrement:MEAS<x>:RESUlts:ALLAcqs: MAXimum?	Returns the maximum value for all accumulated measurement acquisitions of the specified measurement.
MEASUrement:MEAS<x>:RESUlts:ALLAcqs: MEAN?	Returns the mean value for all accumulated measurement acquisitions for measurement.
MEASUrement:MEAS<x>:RESUlts:ALLAcqs: MINimum?	Returns the minimum value for all accumulated measurement acquisitions for measurement.
MEASUrement:MEAS<x>:RESUlts:ALLAcqs: PK2PK?	Returns the peak-to-peak value for all accumulated measurement acquisitions for measurement.
MEASUrement:MEAS<x>:RESUlts:ALLAcqs: POPulation?	Returns the population measurement value for measurement.
MEASUrement:MEAS<x>:RESUlts:ALLAcqs: STDDev?	Returns the standard deviation for all accumulated measurement acquisitions for measurement.
MEASUrement:MEAS<x>:RESUlts: CURRentacq:MAXimum?	This query-only command returns the maximum value found for the specified measurement since the last statistical reset.
MEASUrement:MEAS<x>:RESUlts: CURRentacq:MEAN?	This query-only command returns the mean value for the measurement for the current acquisition.
MEASUrement:MEAS<x>:RESUlts: CURRentacq:MINimum?	This query-only command returns the minimum value found for the specified measurement since the last statistical reset.
MEASUrement:MEAS<x>:RESUlts: CURRentacq:PK2PK?	This query-only command returns the peak-to-peak value for the specified measurement for the current acquisition.
MEASUrement:MEAS<x>:RESUlts: CURRentacq:POPulation?	This query-only command returns the population for the specified measurement for the current acquisition.
MEASUrement:MEAS<x>:RESUlts: CURRentacq:STDDev?	This query-only command returns the standard deviation for the specified measurement for all acquisitions accumulated since statistics were last reset.
MEASUrement:MEAS<x>:RESUlts:HISTory: MAXimum?	Returns the maximum value for the specified measurement for each acquisition in the history.
MEASUrement:MEAS<x>:RESUlts:HISTory: MEAN?	Returns the mean value for the specified measurement for each acquisition in the history
MEASUrement:MEAS<x>:RESUlts:HISTory: MINimum?	Returns the minimum value for the specified measurement for each acquisition in the history.
MEASUrement:MEAS<x>:RESUlts:HISTory: PK2PK?	Returns the peak-to-peak value for the specified measurement for each acquisition in the history.

Table 2-38: Measurement commands (cont.)

Command	Description
MEASUREMENT:MEAS<x>:RESULTS:HISTORY:POPULATION?	Returns the population value for the specified measurement for each acquisition in the history.
MEASUREMENT:MEAS<x>:RESULTS:HISTORY:STDDDev?	Returns the standard deviation value for the specified measurement for each acquisition in the history.
MEASUREMENT:MEAS<x>:SEQUENCE	Sets or queries the sequence of hall edges
MEASUREMENT:MEAS<x>:SIGNALFREQUENCY	Sets or queries line frequency for Harmonics and Line Ripple frequency.
MEASUREMENT:MEAS<x>:SIGNALTYPE	Sets or queries the signal type of source 1 for the measurement.
MEASUREMENT:MEAS<x>:SLABs	Sets or returns the value for the start level in absolute.
MEASUREMENT:MEAS<x>:SLPct	Sets or returns the value for the start level in percentage.
MEASUREMENT:MEAS<x>:SLTYpe	Sets or returns the start level source type.
MEASUREMENT:MEAS<x>:SMOOTHINGFILTER	Sets and queries the status of smoothing filter.
MEASUREMENT:MEAS<x>:SOURCE<x>	This command sets or queries the measurement source.
MEASUREMENT:MEAS<x>:SRATE	Sets or queries the symbol rate for the RRC filter in the measurement.
MEASUREMENT:MEAS<x>:SRHo	Enables or disables the rho waveform for TDR measurement.
MEASUREMENT:MEAS<x>:SSC:NOMInalfreq	This command sets or queries the user-defined frequency for the measurement when the measurement type is SSC.
MEASUREMENT:MEAS<x>:SSC:NOMInalfreq:SELECTIONtype	This command sets or queries the frequency detection type for the measurement when the measurement type is SSC.
MEASUREMENT:MEAS<x>:STATUS?	Returns the pass fail status, if applicable, for the selected measurement
MEASUREMENT:MEAS<x>:STLABs	Sets or returns the value for the stop level in absolute.
MEASUREMENT:MEAS<x>:STLPct	Sets or returns the value for the stop level in percentage.
MEASUREMENT:MEAS<x>:STYPe	Sets or returns the stop level source type.
MEASUREMENT:MEAS<x>:SUNits	Sets or queries the speed units for the specific measurement.
MEASUREMENT:MEAS<x>:TCKAVG	This command sets or queries the average clock period value used in DDR measurements.
MEASUREMENT:MEAS<x>:TIMINGMode	This command sets or queries the Timing mode for the specified DDR measurement.
MEASUREMENT:MEAS<x>:TLEVel	Sets or queries whether histogram center is percentage relative to unit amplitude or an absolute value, for eye height measurement.
MEASUREMENT:MEAS<x>:TOEdge	This command sets or queries the 'to edge' type for the measurement.
MEASUREMENT:MEAS<x>:TOEDGESEARCHDIRect	This command sets or queries the 'to edge' search direction for the measurement.
MEASUREMENT:MEAS<x>:TOSYmbol:LOGIC2SOURCE	This command sets or queries the DDR digital measurement logic 1 source To Symbol.
MEASUREMENT:MEAS<x>:TOSYmbol:LOGIC3SOURCE	This command sets or queries the DDR digital measurement logic 2 source To Symbol.

Table 2-38: Measurement commands (cont.)

Command	Description
MEASUrement:MEAS<x>:TOSymbol:LOGIC4SOUrce	This command sets or queries the DDR digital measurement logic 3 source To Symbol.
MEASUrement:MEAS<x>:TOSymbol:LOGIC5SOUrce	This command sets or queries the DDR digital measurement logic 4 source To Symbol.
MEASUrement:MEAS<x>:TOSymbol:MEASUREAT	This command sets or queries the DDR digital measurement ToSymbol MeasureAT value.
MEASUrement:MEAS<x>:TRANSition	This command sets or queries the transition edges flag for the measurement.
MEASUrement:MEAS<x>:TYPE	Sets or queries the measurement type.
MEASUrement:MEAS<x>:VLEVel	Sets or queries whether histogram center is percentage relative to unit interval or an absolute value for eye width measurement.
MEASUrement:MEAS<x>:WBG:AFGaddress	Sets or returns the AFG address of external AFG connected for WBG measurement.
MEASUrement:MEAS<x>:WBG:AFGSetup	Executes AFG test connection or once AFG connection succeeded, Run will setup configuration on connected AFG.
MEASUrement:MEAS<x>:WBG:CStatus?	Returns the AFG test connection status.
MEASUrement:MEAS<x>:WBG:GTYPe	Sets or returns the generator type for WBG measurements.
MEASUrement:MEAS<x>:WBG:HIGH	Sets or returns the high voltage value of AFG for WBG measurements.
MEASUrement:MEAS<x>:WBG:LOAD	Sets or returns the load type of AFG for WBG measurements.
MEASUrement:MEAS<x>:WBG:LOW	Sets or returns the low voltage value of AFG for WBG measurements.
MEASUrement:MEAS<x>:WBG:NPULs	Sets or returns the number of pulse of AFG for WBG measurements.
MEASUrement:MEAS<x>:WBG:PG<x>Val	Sets or returns the pulse gap of AFG for WBG measurements.
MEASUrement:MEAS<x>:WBG:PW<x>Val	Sets or returns the pulse width of AFG for WBG measurements.
MEASUrement:MEAS<x>:WBG:TIMer	Sets or returns the trigger interval of AFG for WBG measurements
MEASUrement:MEAS<x>:WIDTh	Sets or queries the histogram width in terms of percentage.
MEASUrement:MEAS<x>:WINDOWLENgth	This command sets or queries the window length for the measurement.
MEASUrement:MEAS<x>:XUNIT?	Returns the horizontal scale units of the specified measurement.
MEASUrement:MEAS<x>:YUNIT?	Returns the vertical scale units of the specified measurement.
MEASUrement:MEASRange:MAX	This command sets or queries the global range maximum value.
MEASUrement:MEASRange:MIN	This command sets or queries the global range minimum value.
MEASUrement:MEASRange:STATE	Sets or queries the global range state.
MEASUrement:MECH:GRATio	Sets or queries the measurement gear ratio.
MEASUrement:MECH:PPAirs	Sets or queries the measurement number of pole pairs.
MEASUrement:MECH:SOUrce<x>	Sets or queries the global mechanical source of the specified source number.
MEASUrement:MECH:STYPe	Sets or queries the measurement sensor type.

Table 2-38: Measurement commands (cont.)

Command	Description
MEASUrement:MINUI	This command sets or queries the minimum number of unit intervals required for BUJ analysis.
MEASUrement:POPULATION:LIMIT:STATE	This command sets or queries the global population limit state.
MEASUrement:POPULATION:LIMIT:VALue	This command sets or queries the global population limit value.
MEASUrement:REFLevels:ABSolute:FALLHigh	Sets or queries the value used as the high reference level of the falling edge.
MEASUrement:REFLevels:ABSolute:FALLLow	Sets or queries the value used as the low reference level of the falling edge.
MEASUrement:REFLevels:ABSolute:FALLMid	Sets or queries the value used as the mid reference level of the falling edge.
MEASUrement:REFLevels:ABSolute:HYSTEResis	Sets or queries the value of the hysteresis of the reference level.
MEASUrement:REFLevels:ABSolute:RISEHigh	Sets or queries the value used as the high reference level of the rising edge.
MEASUrement:REFLevels:ABSolute:RISELow	Sets or queries the value used as the low reference level of the rising edge.
MEASUrement:REFLevels:ABSolute:RISEMid	Sets or queries the value used as the mid reference level of the rising edge.
MEASUrement:REFLevels:ABSolute:TYPE	Sets or queries the reference level type.
MEASUrement:REFLevels:BASETop	Sets or queries the method used to calculate the TOP and BASE, used to calculate reference levels.
MEASUrement:REFLevels:JITTERMODE	Sets or queries how often reference levels are calculated on Jitter measurements.
MEASUrement:REFLevels:METHod	Sets or queries the method used to calculate reference levels.
MEASUrement:REFLevels:MODE	This command sets or queries how often reference levels are calculated.
MEASUrement:REFLevels:PERCent:FALLHigh	Sets or queries the percentage used to calculate the high reference level of the falling edge.
MEASUrement:REFLevels:PERCent:FALLLow	Sets or queries the percentage used to calculate the mid reference level of the falling edge.
MEASUrement:REFLevels:PERCent:FALLMid	Sets or queries the percentage used to calculate the mid reference level of the falling edge.
MEASUrement:REFLevels:PERCent:HYSTEResis	Sets or queries the percentage used to calculate the hysteresis of the reference level.
MEASUrement:REFLevels:PERCent:RISEHigh	Sets or queries the percentage used to calculate the high reference level of the rising edge.
MEASUrement:REFLevels:PERCent:RISELow	Sets or queries the percentage used to calculate the low reference level of the rising edge.
MEASUrement:REFLevels:PERCent:RISEMid	Sets or queries the percentage used to calculate the mid reference level of the rising edge.
MEASUrement:REFLevels:PERCent:TYPE	Sets or queries the reference level percent type.
MEASUrement:REFLevels:TYPE	This command sets or queries the shared reference level method used for sources of measurement calculations.

Table 2-38: Measurement commands (cont.)

Command	Description
MEASUrement:REF<x>:REFLevels:ABSolute:FALLHigh	Sets or queries the value used as the high reference level of the falling edge.
MEASUrement:REF<x>:REFLevels:ABSolute:FALLLow	Sets or queries the value used as the low reference level of the falling edge.
MEASUrement:REF<x>:REFLevels:ABSolute:FALLMid	Sets or queries the value used as the mid reference level of the falling edge.
MEASUrement:REF<x>:REFLevels:ABSolute:HYSTeresis	Sets or queries the value of the hysteresis of the reference level.
MEASUrement:REF<x>:REFLevels:ABSolute:RISEHigh	Sets or queries the value used as the high reference level of the rising edge.
MEASUrement:REF<x>:REFLevels:ABSolute:RISELow	Sets or queries the value used as the low reference level of the rising edge.
MEASUrement:REF<x>:REFLevels:ABSolute:RISEMid	Sets or queries the value used as the mid reference level of the rising edge.
MEASUrement:REF<x>:REFLevels:ABSolute:TYPE	Sets or queries the reference level type.
MEASUrement:REF<x>:REFLevels:BASETop	Sets or queries the method used to calculate the TOP and BASE, used to calculate reference levels.
MEASUrement:REF<x>:REFLevels:METHod	Sets or queries the method used to calculate reference levels.
MEASUrement:REF<x>:REFLevels:PERCent:FALLHigh	Sets or queries the percentage used to calculate the high reference level of the falling edge.
MEASUrement:REF<x>:REFLevels:PERCent:FALLLow	Sets or queries the percentage used to calculate the low reference level of the falling edge.
MEASUrement:REF<x>:REFLevels:PERCent:FALLMid	Sets or queries the percentage used to calculate the mid reference level of the falling edge.
MEASUrement:REF<x>:REFLevels:PERCent:HYSTeresis	Sets or queries the percentage used to calculate the hysteresis of the reference level.
MEASUrement:REF<x>:REFLevels:PERCent:RISEHigh	Sets or queries the percentage used to calculate the high reference level of the rising edge.
MEASUrement:REF<x>:REFLevels:PERCent:RISELow	Sets or queries the percentage used to calculate the low reference level of the rising edge.
MEASUrement:REF<x>:REFLevels:PERCent:RISEMid	Sets or queries the percentage used to calculate the mid reference level of the rising edge.
MEASUrement:REF<x>:REFLevels:PERCent:TYPE	Sets or queries the reference level percent type.
MEASUrement:RESUlts:HISTory:START	Sets or queries the starting acquisition number for transferring measurement history results.
MEASUrement:RESUlts:HISTory:STOP	Sets or queries the last acquisition number that will be transferred for measurement history results

Table 2-38: Measurement commands (cont.)

Command	Description
MEASUrement:STATistics:CYCLEMode	This command sets or queries whether cycle-cycle statistics are calculated for all measurements.
MEASUrement:WBG:PDEVice	This command sets or returns the type of the Power device.

Measurement command subgroup for Jitter Summary

Use the commands in the Measurement Command Group to query out the individual measurement results added as part of the JITTERSUMMARY. Before using these commands, make sure that measurement is enabled using PI commands listed for JITTERSUMMARY.

Table 2-39: Jitter Summary commands

Command	Description
MEASUrement:MEAS<x>:JITTERSummary:DCD	Sets or queries whether DCD is included in the jitter summary for the measurement.
MEASUrement:MEAS<x>:JITTERSummary:DDJ	Sets or queries whether DDJ is included in the jitter summary for the measurement.
MEASUrement:MEAS<x>:JITTERSummary:DJDD	Sets or queries whether DJ-dd is included in the jitter summary for the measurement.
MEASUrement:MEAS<x>:JITTERSummary:EYEWIDTHBER	Sets or queries whether EyeWidth@BER is included in the jitter summary for the measurement.
MEASUrement:MEAS<x>:JITTERSummary:NPJ	Sets or queries whether NPJ is included in the jitter summary for the measurement.
MEASUrement:MEAS<x>:JITTERSummary:PJ	Sets or queries whether PJ is included in the jitter summary for the measurement.
MEASUrement:MEAS<x>:JITTERSummary:RJDD	Sets or queries whether RJ-dd is included in the jitter summary for the measurement.
MEASUrement:MEAS<x>:JITTERSummary:TIE	Sets or queries whether TIE is included in the jitter summary for the measurement.
MEASUrement:MEAS<x>:JITTERSummary:TJBER	Sets or queries whether TJ@BER is included in the jitter summary for the measurement.
MEASUrement:MEAS<x>:SUBGROUP:RESULTS:ALLAcqs:MAXimum?	Returns the minimum value of the measurement specified by the string, for all acquisitions.
MEASUrement:MEAS<x>:SUBGROUP:RESULTS:ALLAcqs:MEAN?	Returns the mean value of the measurement specified by the string, for all acquisitions.
MEASUrement:MEAS<x>:SUBGROUP:RESULTS:ALLAcqs:MINimum?	Returns the minimum value of the measurement specified by the string, for all acquisitions.
MEASUrement:MEAS<x>:SUBGROUP:RESULTS:ALLAcqs:PK2PK?	Returns the peak-to-peak value of the measurement specified by the string, for all acquisitions.
MEASUrement:MEAS<x>:SUBGROUP:RESULTS:ALLAcqs:POPulation?	Returns the population value of the measurement specified by the string, for all acquisitions.
MEASUrement:MEAS<x>:SUBGROUP:RESULTS:ALLAcqs:STDDev?	Returns the standard deviation value of the measurement specified by the string, for all acquisitions.
MEASUrement:MEAS<x>:SUBGROUP:RESULTS:CURRentacq:MAXimum?	Returns the maximum value of the measurement specified by the string, for the current acquisition.
MEASUrement:MEAS<x>:SUBGROUP:RESULTS:CURRentacq:MEAN?	Returns the mean value of the measurement specified by the string, for the current acquisition.
MEASUrement:MEAS<x>:SUBGROUP:RESULTS:CURRentacq:MINimum?	Returns the minimum value of the measurement specified by the string, for the current acquisition.

Table 2-39: Jitter Summary commands (cont.)

Command	Description
MEASUrement:MEAS<x>:SUBGROUP:RESUlts:CURRentacq:PK2PK?	Returns the peak-to-peak value of the measurement specified by the string, for the current acquisition.
MEASUrement:MEAS<x>:SUBGROUP:RESUlts:CURRentacq:POPULation?	Returns the population value of the measurement specified by the string, for the current acquisition.
MEASUrement:MEAS<x>:SUBGROUP:RESUlts:CURRentacq:STDDev?	Returns the standard deviation value of the measurement specified by the string, for the current acquisition.

Miscellaneous command group

Miscellaneous commands do not fit into other categories.

Several commands and queries are common to all devices. The 488.2-1987 standard defines these commands. The common commands begin with an asterisk (*) character.

Table 2-40: Miscellaneous commands

Command	Description
APPLication:ACTivate	Starts the application specified in the string. For legacy TekExpress applications.
AUTOSAVEPITIMEOUT	Sets or queries the idle time from the programmable interface before auto-save occurs.
AUTOSAVEUITIMEOUT	Sets or queries the idle time from the user interface before auto-save occurs.
AUTOSet	Sets or queries the vertical, horizontal, and trigger controls of the instrument to automatically acquire and display the selected waveform.
AUTOSet:ACQuisition:ENable	Sets or queries the Autoset acquisition setting adjustment.
AUTOSet:ENable	Sets or queries the Autoset enable/disable mode.
AUTOSet:HORizontal:ENable	Sets or queries Autoset's adjustment of horizontal settings.
AUTOSet:TRIGger:ENable	Sets or queries Autoset's adjustment of trigger settings.
AUTOSet:VERTical:ENable	sets or queries Autoset's adjustment of vertical settings.
AUTOSet:VERTical:OPTIMize	Sets or queries which vertical settings Autoset will optimize when the display mode is set to Overlay mode.
AUXout:EDGE	Sets or queries the direction in which the trigger output signal will transition when a trigger occurs.
AUXout:SOUrce	Sets or queries the trigger source at the BNC connection.
CLEAR	Clears acquisitions, measurements, and waveforms.
CONNected:REQUested:STATus	Sets the status of the Connected Scope Preference feature.
CONNected:STATus?	Returns the status of the Connected Scope Preference feature.
CONNected:USAGe:TRack:REQUested:STATus	Sets the tracking usage status of the Connected Scope Preference feature.
CONNected:USAGe:TRack:STATus?	Returns the tracking usage status of the Connected Scope Preference feature.
DATE?	Queries the date that the instrument displays.
*DDT	Sets or queries the commands that will be executed by the group execute trigger.
FPAnel:PRESS	Emulates a button press.
FPAnel:TURN	Emulates a knob turn.
HEADer	Sets or queries the Response Header Enable State.
ID?	Returns identifying information about the instrument and its firmware.
*IDN?	Returns the instrument identification code.
LICense?	Queries all license parameters.
LICense:APPID?	Returns a comma-separated list of the active application IDs.
LICense:COUNT?	Returns a count of the number of active licenses installed.

Table 2-40: Miscellaneous commands (cont.)

Command	Description
LICense:ERRor?	This query-only command prompts the instrument to return all events and their messages (delimited by commas), and removes the returned events from the Event Queue (alias for ALLEV?).
LICense:GMT?	Returns the GMT time in ISO 8601 format, the local date, 24 hour time and time-zone offset.
LICense:HID?	Returns the instrument HostID unique identifier.
LICense:INSTall	Accepts a block data license and installs it on the instrument.
LICense:ITEM?	Returns the details pertaining to a specific license.
LICense:LIST?	Returns the active license nomenclatures as a comma-separated list of strings.
LICense:VALidate?	Accepts a license nomenclature as an argument and returns the status of the license.
LICense:UNINSTALL?	Returns the exit license information for the user to return to their TekAMS account.
LOCK	Sets or queries the front panel and touchscreen lock state.
*LRN?	Returns a listing of instrument settings.
MAINWindow:BADGe:BRINGtoview	Makes a specified badge visible.
MAINWindow:FONTSize	Sets the font size for UI text elements.
MAINWindow:RRBDisplaystate	Sets the display state of the Results readout bar to ON (displayed) or OFF (not displayed).
NEWpass	Changes the password for user protected data.
PASSWord	Provides access for changing user protected data.
PAUSe	Causes the interface to pause the specified number of seconds before processing any other commands.
PILOGger:FILEName	Sets or queries the location where the programmatic interface command log will be saved.
PILOGger:STATE	Sets or queries the state of the programmatic interface command log.
REM	Specifies a comment which is ignored by the instrument.
ROSc:SOUrce	Selects or queries the selected source for the time base reference oscillator.
ROSc:STATE?	Returns whether the time base reference oscillator is locked.
SCOPEApp REBOOT	Reboots the scope.
SET?	Returns a listing of instrument settings.
SOCKETServer:ENable	Enables or disables the socket server which supports a telnet or other TCPIP socket connection to send commands and queries to the instrument.
SOCKETServer:PORT	Sets the TCPIP port for the socket server connection.
SOCKETServer:PROTOCol	Sets or queries the protocol for the socket server.
TEKSecure	Initializes both waveform and setup memories.
TIme	Queries the time displayed by the instrument.
TIme:ZONe	Sets the time zone to the one specified.
TIme:ZONe:UTCDELTA	Sets or queries the time zone using the difference between the desired time zone and UTC.

Table 2-40: Miscellaneous commands (cont.)

Command	Description
TOTaluptime?	Returns the total number of hours the instrument has been turned on since the NV memory was last programmed.
TOUCHSCReen:STATe	Sets or queries the enabled state of the touch screen.
*TRG	Performs the group execute trigger (GET).
*TST?	Tests the interface and returns status.
UNDO	Reverts the scope settings to a state before the previous command or user interface action.
UNLock	Unlocks front panel controls.
USBDevice:CONFigure	Used to configure the rear USB port to be off or enabled as a USBTMC device.
VERBose	Sets or queries the verbose state.
VXI:ENable	Sets or queries the state of the VXI-11 server.
VXI:PORT:HIGH	Sets or queries the higher end of the port range for the VXI-11 server.
VXI:PORT:LOW	Sets or queries the lower end of the port range for the VXI-11 server.

Plot command group

Plot commands let you select the type and control the appearance of your plots.

Table 2-41: Plot commands

Command	Description
PLOT:ADDNew	Adds the specified plot.
PLOT:DELeTe	Deletes the specified plot.
PLOT:LIST?	Lists all currently defined plots.
PLOT:PLOT<x>:BATHtub:BER	Sets or queries the bathtub BER value.
PLOT:PLOT<x>:BATHtub:XAXISUnits	Sets or queries the X-Axis unit, either unit intervals or seconds.
PLOT:PLOT<x>:BITType	Sets or queries the bit type to display for the specified eye diagram plot.
PLOT:PLOT<x>:EINTerpolation	Sets or queries whether dot mode eye diagram is enabled.
PLOT:PLOT<x>:EXPORTRaw?	Returns a binary stream of double values containing the x,y and hits value.
PLOT:PLOT<x>:EXTENDuis	Sets or queries number of UIs surrounding the eye boundary UIs that are used for fast eye rendering.
PLOT:PLOT<x>:EYERender	Sets or queries the eye rendering method for the specified plot.
PLOT:PLOT<x>:IMDA:MEAS	Sets or returns the measurement selection of trend plot and acq trend plot.
PLOT:PLOT<x>:IMDAPLOTDisplay	Sets or returns the IMDA time trend and acq trend plot display configuration.
PLOT:PLOT<x>:LABel:COLor	Sets or queries the color of the specified trend label.
PLOT:PLOT<x>:LABel:FONT:BOLD	Sets or queries the bold state of the specified trend label.
PLOT:PLOT<x>:LABel:FONT:ITALic	Sets or queries the italic state of the specified trend label.
PLOT:PLOT<x>:LABel:FONT:SIZE	Sets or queries the font size of the specified trend label.
PLOT:PLOT<x>:LABel:FONT:TYPE	Sets or queries the font type of the specified trend label.
PLOT:PLOT<x>:LABel:FONT:UNDERline	Sets or queries the underline state of the specified trend label.
PLOT:PLOT<x>:LABel:NAME	Sets or queries the specified trend's label.
PLOT:PLOT<x>:LABel:XPOS	Sets or queries the x-position of the specified trend label.
PLOT:PLOT<x>:LABel:YPOS	Sets or queries the y-position of the specified trend label.
PLOT:PLOT<x>:MASK?	Returns the name of the mask test associated with the specified eye diagram plot.
PLOT:PLOT<x>:MASKOffset:HORizontal: AUTOfit	Enables or disables eye mask autofit in the specified plot.
PLOT:PLOT<x>:NUMBins	Sets or queries the current histogram resolution.
PLOT:PLOT<x>:MASKOffset:PERCENTui: FROM	Sets or queries the allowed range for the mask to move in the left direction.
PLOT:PLOT<x>:MASKOffset:PERCENTui: TO	Sets or queries the allowed range for the mask to move in the right direction.
PLOT:PLOT<x>:PTYPE	Sets or returns the phasor type of the phasor diagram plot.
PLOT:PLOT<x>:SOUrce<x>	Sets or queries the measurement source.
PLOT:PLOT<x>:SPECTrum:BASE	Sets or queries the spectrum base. Undefined for non-spectrum plots.
PLOT:PLOT<x>:SPECTrum:DYNRange	Sets or queries the dynamic range value.
PLOT:PLOT<x>:TYPE	Sets or queries the current plot type for the selected plot.

Power command group

Table 2-42: Power commands

Command	Description
PLOT:PLOT<x>:INTERpolate	Turns on or off the interpolation state for SOA plot.
PLOT:PLOT<x>:TRESPonse:RTYPE	Sets the plot response type.
POWer:ADDNew	Adds the specified power measurement badge.
POWer:DELete	Deletes the specified power measurement badge.
POWer:POWer<x>:AUTOSet	Executes power autosest for the specified power measurement badge.
POWer:POWer<x>:CLRESPONSE:AMP<x>Val	Sets or queries the generator amplitude value of the specified configuration step for the Control Loop Response power measurement.
POWer:POWer<x>:CLRESPONSE:AMPMode	Sets or queries the amplitude mode for the Control Loop Response power measurement.
POWer:POWer<x>:CLRESPONSE:ANALYSISMethod	Sets or queries the Analysis Method for Control Loop Response measurement.
POWer:POWer<x>:CLRESPONSE:AUTORbw	Enables Auto RBW computation.
POWer:POWer<x>:CLRESPONSE:CONNECTSTATus?	Queries connection status to the external generator used with the specified Control Loop Response power measurement.
POWer:POWer<x>:CLRESPONSE:CONSTAMPitude	Sets or queries the constant amplitude voltage for the Control Loop Response power measurement.
POWer:POWer<x>:CLRESPONSE:FREQ<x>Val	Sets or queries the generator frequency value of the specified configuration step for the Control Loop Response power measurement.
POWer:POWer<x>:CLRESPONSE:GENERator	Sets or queries the generator source for the specified Control Loop Response power measurement.
POWer:POWer<x>:CLRESPONSE:GENIPADdress	Sets or queries the IP address of the external generator to be used with the specified Control Loop Response measurement.
POWer:POWer<x>:CLRESPONSE:IMPEDance	Sets or queries the vertical termination impedance for the Control Loop Response power measurement.
POWer:POWer<x>:CLRESPONSE:INPUTSOurce	Sets or queries the input source for the Control Loop Response power measurement.
POWer:POWer<x>:CLRESPONSE:MON	Sets or returns the measure on for the control loop response, PSRR or impedance measurement.
POWer:POWer<x>:CLRESPONSE:OUTPUTSOurce	Sets or queries the output source for the Control Loop Response power measurement.
POWer:POWer<x>:CLRESPONSE:PPD	Sets or queries the points per decade (PPD) value for the Control Loop Response power measurement.
POWer:POWer<x>:CLRESPONSE:STARTFREQuency	Sets or queries the start frequency value for the Control Loop Response power measurement.

Table 2-42: Power commands (cont.)

Command	Description
POWER:POWER<x>:CLRESPONSE:STOPFREQuency	Sets or queries the stop frequency value for the Control Loop Response power measurement.
POWER:POWER<x>:CLRESPONSE:TESTCONNECTION	Tests the connection to the external generator used with the specified Control Loop Response power measurement.
POWER:POWER<x>:CYCLEAmp:INPUTSOurce	Sets or queries the input source for cycle amplitude measurement of the specified power measurement number.
POWER:POWER<x>:CYCLEBase:INPUTSOurce	Sets or queries the input source for cycle base measurement of the specified power measurement number.
POWER:POWER<x>:CYCLEMAX:INPUTSOurce	Sets or queries the input source for cycle maximum measurement of the specified power measurement number.
POWER:POWER<x>:CYCLEMin:INPUTSOurce	Sets or queries the input source for cycle minimum measurement of the specified power measurement number.
POWER:POWER<x>:CYCLEPKPK:INPUTSOurce	Sets or queries the input source for cycle peak-to-peak measurement of the specified power measurement number.
POWER:POWER<x>:CYCLETop:INPUTSOurce	Sets or queries the input source for cycle top measurement of the specified power measurement number.
POWER:POWER<x>:DIDT:INPUTSOurce	Sets or queries the input source for di/dt measurement of the specified power measurement number.
POWER:POWER<x>:DIDT:SOURCEEDGEType	Sets or queries the edge type for di/dt measurement of the specified power measurement number.
POWER:POWER<x>:DVDT:INPUTSOurce	Sets or queries the input source for dv/dt measurement of the specified power measurement number.
POWER:POWER<x>:DVDT:SOURCEEDGEType	Sets or queries the edge type for dv/dt measurement of the specified power measurement number.
POWER:POWER<x>:EFFICIENCY:INPUTType	Sets or queries the input type (AC or DC) for efficiency measurement of the specified power measurement number.
POWER:POWER<x>:EFFICIENCY:IOUT1SOurce	Sets or queries the output 1 current source for efficiency measurement of the specified power measurement number.
POWER:POWER<x>:EFFICIENCY:IOUT2SOurce	Sets or queries the output 2 current source for efficiency measurement of the specified power measurement number.
POWER:POWER<x>:EFFICIENCY:IOUT3SOurce	Sets or queries the output 3 current source for efficiency measurement of the specified power measurement number.
POWER:POWER<x>:EFFICIENCY:ISOurce	Sets or queries the current source for efficiency measurement of the specified power measurement number.
POWER:POWER<x>:EFFICIENCY:NUMOFOutputs	Sets or queries the number of outputs for efficiency measurement of the specified power measurement number.
POWER:POWER<x>:EFFICIENCY:OUTPUT1Type	Sets or queries the Output1 type for efficiency measurement of the specified power measurement number.

Table 2-42: Power commands (cont.)

Command	Description
POWer:POWer<x>:EFFICIENCY:OUTPUT2Type	Sets or queries the Output2 type for efficiency measurement of the specified power measurement number.
POWer:POWer<x>:EFFICIENCY:OUTPUT3Type	Sets or queries the Output3 type for efficiency measurement of the specified power measurement number.
POWer:POWer<x>:EFFICIENCY:OUTPUTType	Sets or queries the Output type for efficiency measurement of the specified power measurement number.
POWer:POWer<x>:EFFICIENCY:VOUT1SOUrce	Sets or queries the output 1 voltage source for efficiency measurement of the specified power measurement number.
POWer:POWer<x>:EFFICIENCY:VOUT2SOUrce	Sets or queries the output 2 voltage source for efficiency measurement of the specified power measurement number.
POWer:POWer<x>:EFFICIENCY:VOUT3SOUrce	Sets or queries the output 3 voltage source for efficiency measurement of the specified power measurement number.
POWer:POWer<x>:EFFICIENCY:VSOUrce	Sets or queries the voltage source for efficiency measurement of the specified power measurement number.
POWer:POWer<x>:FREQUENCY:EDGE	Sets or queries the edge type for frequency measurement of the specified power measurement number.
POWer:POWer<x>:FREQUENCY:INPUTSOUrce	Sets or queries the input source for frequency measurement of the specified power measurement number.
POWer:POWer<x>:GATing	Sets or queries the gating type for the specified power measurement badge.
POWer:POWer<x>:GATing:GLOBal	Sets or queries the gating settings for the specified power measurement badge.
POWer:POWer<x>:HARMONICS:CLASs	Sets or queries the class type for the harmonics measurement of the specified power measurement number.
POWer:POWer<x>:HARMONICS:CLFile	Sets or queries the custom limits file path for the harmonics measurement.
POWer:POWer<x>:HARMONICS:CMETHod	Sets or queries the fundamental current method for the harmonics measurement of the specified power measurement number.
POWer:POWer<x>:HARMONICS:FUNDCURRent	Sets or queries the fundamental current value for the harmonics measurement of the specified power measurement number.
POWer:POWer<x>:HARMONICS:HORDER	Sets or queries the order value for the harmonics measurement of the specified power measurement number.
POWer:POWer<x>:HARMONICS:HSOUrce	Sets or queries the source type for the harmonics measurement of the specified power measurement number.
POWer:POWer<x>:HARMONICS:IPOWer	Sets or queries the input power value for the harmonics measurement of the specified power measurement number.
POWer:POWer<x>:HARMONICS:ISOUrce	Sets or queries the current source for SOA measurement of the specified power measurement number.
POWer:POWer<x>:HARMONICS:LINEFREQUency	Sets or queries the value for the line frequency for the power Harmonics measurement.

Table 2-42: Power commands (cont.)

Command	Description
POWER:POWer<x>:HARMONICS:ODDEVen	Sets or queries the harmonics value analysis format of the specified power measurement number.
POWER:POWer<x>:HARMONICS:PFACtor	Sets or queries the value of power factor for the harmonics measurement of the specified power measurement number.
POWER:POWer<x>:HARMONICS:POWERRating	Sets or queries the power level for the harmonics measurement of the specified power measurement number.
POWER:POWer<x>:HARMONICS:RCURRent	Sets or queries the rated current for the harmonics measurement of the specified power measurement number.
POWER:POWer<x>:HARMONICS:STANDard	Sets or queries the test mode for harmonics measurement of the specified power measurement number.
POWER:POWer<x>:HARMONICS:STARTFREQUEncy	Sets or queries the value for the start frequency for the power Harmonics measurement. in the range of 1 Hz to 1 GHz.
POWER:POWer<x>:HARMONICS:UNITS	Sets or queries the harmonics results units of the specified power measurement number.
POWER:POWer<x>:HARMONICS:VSOURce	Sets or queries the voltage source for SOA measurement of the specified power measurement number.
POWER:POWer<x>:IMPEDANCE:AMP<x>Val	Sets or queries the signal generator amplitude setting of the specified profile step, for the specified Impedance measurement.
POWER:POWer<x>:IMPEDANCE:AMPMode	Sets or queries the power amplitude mode for the Impedance measurement.
POWER:POWer<x>:IMPEDANCE:ANALYSISMethod	Sets or queries the Analysis Method for Impedance measurements.
POWER:POWer<x>:IMPEDANCE:AUTORbw	Enables Auto RBW computation
POWER:POWer<x>:IMPEDANCE:CONNECTSTATus?	Queries the instrument's connection status to the external generator, for the specified Impedance measurement.
POWER:POWer<x>:IMPEDANCE:CONSTAMPlitude	Sets or queries the constant amplitude value for the specified Impedance measurement.
POWER:POWer<x>:IMPEDANCE:FREQ<x>Val	Sets or queries the signal generator start frequency of the specified profile step, for the specified Impedance measurement.
POWER:POWer<x>:IMPEDANCE:GENerator	Sets or queries the generator source for the Impedance power measurement.
POWER:POWer<x>:IMPEDANCE:GENIPADdress	Sets or queries the external generator IP Address associated with the specified Impedance measurement.
POWER:POWer<x>:IMPEDANCE:IMPEDANCE	Sets or queries the output impedance of the generator for the specified Impedance power measurement.
POWER:POWer<x>:IMPEDANCE:INPUTSOurce	Sets or queries the source for the Impedance input measurement.

Table 2-42: Power commands (cont.)

Command	Description
POWer:POWer<x>:IMPEDANCE:OUTPUTSource	Sets or queries the source for the Impedance output measurement.
POWer:POWer<x>:IMPEDANCE:PPD	Sets or queries the value for points per decade for the specified Impedance measurement.
POWer:POWer<x>:IMPEDANCE:STARTFREQuency	Sets or queries the value for the start frequency of the specified Impedance measurement.
POWer:POWer<x>:IMPEDANCE:STOPFREQuency	Sets or queries the value of the specified Impedance measurement.
POWer:POWer<x>:IMPEDANCE:TESTCONNecion	This command tests the connection with the external instrument for the specified Impedance measurement.
POWer:POWer<x>:INDUCTANCE:EDGESource	Sets or queries the edge source for inductance measurement of the specified power measurement number.
POWer:POWer<x>:INDUCTANCE:ISOURce	Sets or queries the current source for inductance measurement of the specified power measurement number.
POWer:POWer<x>:INDUCTANCE:VSOURce	Sets or queries the voltage source for inductance measurement of the specified power measurement number.
POWer:POWer<x>:INPUTCAP:ISOURce	Sets or queries the inrush current input source of the specified Input Capacitance measurement.
POWer:POWer<x>:INPUTCAP:PEAKCURRent	Sets or queries the peak current value of the specified Input Capacitance measurement.
POWer:POWer<x>:INPUTCAP:PEAKVOLTage	Sets or queries the peak voltage value of the specified Input Capacitance measurement.
POWer:POWer<x>:INPUTCAP:VSOURce	Sets or queries the input voltage source of the specified Input Capacitance measurement.
POWer:POWer<x>:INRUSHcurrent:INPUTSOURce	Sets or queries the input source of the specified Inrush Current measurement.
POWer:POWer<x>:INRUSHcurrent:PEAKCURRent	Sets or queries the peak current value of the specified Inrush Current measurement.
POWer:POWer<x>:IVSINTEGRALV:ISOURce	Sets or queries the current source for I vs Integral V measurement of the specified power measurement number.
POWer:POWer<x>:IVSINTEGRALV:VSOURce	Sets or queries the voltage source for I vs Integral V measurement of the specified power measurement number.
POWer:POWer<x>:LABel	Sets or queries the custom name for the specified power measurement badge.
POWer:POWer<x>:LINERIPPLE:INPUTSOURce	Sets or queries the input source for line ripple measurement of the specified power measurement number.
POWer:POWer<x>:LINERIPPLE:LFREQuency	Sets or queries the frequency present for line ripple measurement of the specified power measurement number.
POWer:POWer<x>:MAGNETICLOSS:ISOURce	Sets or queries the current source for magnetic measurement of the specified power measurement number.

Table 2-42: Power commands (cont.)

Command	Description
POWer:POWer<x>: MAGNETICLOSS:VSOURce	Sets or queries the voltage source for magnetic measurement of the specified power measurement number.
POWer:POWer<x>: MAGPROPERTY: AREAofcrosssection	Sets or queries the coil cross section area for magnetic measurement of the specified power measurement number.
POWer:POWer<x>: MAGPROPERTY:EDGESOURce	Sets or queries the edge signal source for magnetic measurement of the specified power measurement number.
POWer:POWer<x>: MAGPROPERTY:ISOURce	Sets or queries the current source for magnetic measurement of the specified power measurement number.
POWer:POWer<x>: MAGPROPERTY:LENgth	Sets or queries the conductor length for magnetic measurement of the specified power measurement number.
POWer:POWer<x>: MAGPROPERTY:PRIMARYTURNs	Sets or queries the number of primary turns for magnetic measurement of the specified power measurement number.
POWer:POWer<x>: MAGPROPERTY:SEC1SOURce	Sets or queries the current source for secondary winding 1 for magnetic measurement of the specified power measurement number.
POWer:POWer<x>: MAGPROPERTY:SEC1TURNs	Sets or queries the number of turns of secondary winding 1 for magnetic measurement in the specified power measurement badge
POWer:POWer<x>: MAGPROPERTY:SEC2SOURce	Sets or queries the current source for secondary winding 2 for magnetic measurement of the specified power measurement number.
POWer:POWer<x>: MAGPROPERTY:SEC2TURNs	Sets or queries the number of turns of secondary winding 2 for magnetic measurement of the specified power measurement number.
POWer:POWer<x>: MAGPROPERTY:SEC3SOURce	Sets or queries the current source for secondary winding 3 for magnetic measurement of the specified power measurement number.
POWer:POWer<x>: MAGPROPERTY:SEC3TURNs	Sets or queries the number of turns of secondary winding 3 for magnetic measurement of the specified power measurement number.
POWer:POWer<x>: MAGPROPERTY:SEC4SOURce	Sets or queries the current source for secondary winding 4 for magnetic measurement of the specified power measurement number.
POWer:POWer<x>: MAGPROPERTY:SEC4TURNs	Sets or queries the number of turns of secondary winding 4 for magnetic measurement of the specified power measurement number.
POWer:POWer<x>: MAGPROPERTY:SEC5SOURce	Sets or queries the current source for secondary winding 5 for magnetic measurement of the specified power measurement number.
POWer:POWer<x>: MAGPROPERTY:SEC5TURNs	Sets or queries the number of turns of secondary winding 5 for magnetic measurement of the specified power measurement number.
POWer:POWer<x>: MAGPROPERTY:SEC6SOURce	Sets or queries the current source for secondary winding 6 for magnetic measurement of the specified power measurement number.
POWer:POWer<x>: MAGPROPERTY:SEC6TURNs	Sets or queries the number of turns of secondary winding 6 for magnetic measurement of the specified power measurement number.
POWer:POWer<x>: MAGPROPERTY:SECPhase	Sets or returns the value for the phase difference between secondary and primary voltage.

Table 2-42: Power commands (cont.)

Command	Description
POWer:POWer<x>: MAGPROPERTY:SECVolt	Enables or disables secondary voltage input for measurement.
POWer:POWer<x>: MAGPROPERTY:SECWINDings	Sets or queries the number of secondary windings for magnetic measurement of the specified power measurement number.
POWer:POWer<x>: MAGPROPERTY:UNITs	Sets or queries the units for magnetic measurement of the specified power measurement number.
POWer:POWer<x>: MAGPROPERTY:VSOURce	Sets or queries the voltage source for magnetic measurement of the specified power measurement number.
POWer:POWer<x>:NDUTYCYCLE: EDGType	Sets or queries the clock edge type for negative duty cycle measurement of the specified power measurement number.
POWer:POWer<x>:NDUTYCYCLE: INPUTSOurce	Sets or queries the input source for negative duty cycle measurement of the specified power measurement number.
POWer:POWer<x>:NPULSEWIDTH: INPUTSOurce	Sets or queries the input source for negative pulse width measurement of the specified power measurement number.
POWer:POWer<x>:PDUTYCYCLE: EDGType	Sets or queries the clock edge type for positive duty cycle measurement of the specified power measurement number.
POWer:POWer<x>:PDUTYCYCLE: INPUTSOurce	Sets or queries the input source for positive duty cycle measurement of the specified power measurement number.
POWer:POWer<x>:PERIOD:EDGe	Sets or queries the edge type for period measurement of the specified power measurement number.
POWer:POWer<x>:PERIOD: INPUTSOurce	Sets or queries the input source for period measurement of the specified power measurement number.
POWer:POWer<x>: POWERQUALITY:CCYCLes	Sets or queries the calculate cycles over full cycles settings for the specified power quality measurement badge.
POWer:POWer<x>: POWERQUALITY:FREFerence	Sets or queries the frequency reference type for power quality measurement of the specified power measurement number.
POWer:POWer<x>: POWERQUALITY:ISOURce	Sets or queries the current source for power quality measurement of the specified power measurement number.
POWer:POWer<x>: POWERQUALITY:STYPe	Sets or queries the source type.
POWer:POWer<x>: POWERQUALITY:VSOURce	Sets or queries the voltage source for power quality measurement of the specified power measurement number.
POWer:POWer<x>:PPULSEWIDTH: INPUTSOurce	Sets or queries the input source for positive pulse width measurement in the specified power measurement number.
POWer:POWer<x>:PRESET	Sets or queries the input source for positive pulse width measurement of the specified power measurement number.
POWer:POWer<x>:PSRR: AMP<x>Val	Sets or queries the generator amplitude value of the specified configuration step for the Power Supply Rejection Ratio (PSRR) power measurement.

Table 2-42: Power commands (cont.)

Command	Description
POWER:POWER<x>:PSRR:AMPMode	Sets or queries the amplitude mode for the Power Supply Rejection Ratio (PSRR) power measurement.
POWER:POWER<x>:PSRR:ANALYSISMethod	Sets or queries the Analysis Method for PSRR measurements.
POWER:POWER<x>:PSRR:AUTORbw	Enables Auto RBW computation.
POWER:POWER<x>:PSRR:CONNECTSTATus?	Queries the external instrument's connection status for the specified Power Supply Rejection Ratio (PSRR) measurement.
POWER:POWER<x>:PSRR:CONSTAMPLitude	Sets or queries the constant amplitude voltage for the Power Supply Rejection Ratio (PSRR) power measurement.
POWER:POWER<x>:PSRR:FREQ<x>Val	Sets or queries the generator frequency value of the specified configuration step for the Power Supply Rejection Ratio (PSRR) power measurement.
POWER:POWER<x>:PSRR:GENERator	Sets or queries the generator source used to send stimulus signals to the DUT for the Power Supply Rejection Ratio (PSRR) power measurement.
POWER:POWER<x>:PSRR:GENERator	Sets or queries the generator source for the Power Supply Rejection Ratio (PSRR) power measurement.
POWER:POWER<x>:PSRR:GENIPADDRESS	Sets or queries the instrument's IP Address associated with the specified Power Supply Rejection Ratio (PSRR) measurement.
POWER:POWER<x>:PSRR:IMPEDance	Sets or queries the vertical termination impedance for the Power Supply Rejection Ratio (PSRR) power measurement.
POWER:POWER<x>:PSRR:INPUTSource	Sets or queries the input source for the Power Supply Rejection Ratio (PSRR) power measurement.
POWER:POWER<x>:PSRR:OUTPUTSource	Sets or queries the output source for the Power Supply Rejection Ratio (PSRR) power measurement.
POWER:POWER<x>:PSRR:PPD	Sets or queries the points per decade (PPD) value for the Power Supply Rejection Ratio (PSRR) power measurement.
POWER:POWER<x>:PSRR:STARTFREQuency	Sets or queries the start frequency value for the Power Supply Rejection Ratio (PSRR) power measurement.
POWER:POWER<x>:PSRR:STOPFREQuency	Sets or queries the stop frequency value for the Power Supply Rejection Ratio (PSRR) power measurement.
POWER:POWER<x>:PSRR:TESTCONNECTION	This command tests the connection with the external instrument for the specified Power Supply Rejection Ratio (PSRR) measurement.
POWER:POWER<x>:RDSON:DEVICEType	Sets or queries the device type for the power drain source on resistance measurement for RDSON measurement of the specified power measurement number.
POWER:POWER<x>:RDSON:ISOURce	Sets or queries the current source for RDSON measurement of the specified power measurement number.
POWER:POWER<x>:RDSON:VSOURce	Sets or queries the voltage source for RDSON measurement of the specified power measurement number.

Table 2-42: Power commands (cont.)

Command	Description
POWer:POWer<x>:REFLevels:ABSolute:FALLHigh	Sets or queries the falling edge for high reference level in absolute units for the specified power measurement badge.
POWer:POWer<x>:REFLevels:ABSolute:FALLLow	Sets or queries the falling edge for low reference level in absolute units for the specified power measurement badge.
POWer:POWer<x>:REFLevels:ABSolute:FALLMid	Sets or queries the falling edge for mid reference level in absolute units for the specified power measurement badge.
POWer:POWer<x>:REFLevels:ABSolute:HYSteresis	Sets or queries the absolute hysteresis value for the specified power measurement badge.
POWer:POWer<x>:REFLevels:ABSolute:RISEHigh	Sets or queries the rising edge for high reference level in absolute units for the specified power measurement badge.
POWer:POWer<x>:REFLevels:ABSolute:RISELow	Sets or queries the rising edge for low reference level in absolute units for the specified power measurement badge.
POWer:POWer<x>:REFLevels:ABSolute:RISEMid	Sets or queries the rising edge for mid reference level in absolute units for the specified power measurement badge.
POWer:POWer<x>:REFLevels:ABSolute:TYPE	Sets or queries the type of measurement levels when reference level is set to absolute for the specified power measurement badge.
POWer:POWer<x>:REFLevels:BASETop	Sets or queries the reference level base top method for the specified power measurement badge.
POWer:POWer<x>:REFLevels:METHOD	Sets or queries the method to configure reference level values for the specified power measurement badge.
POWer:POWer<x>:REFLevels:PERCent:FALLHigh	Sets or queries the falling edge for high reference level in percentage for the specified power measurement badge.
POWer:POWer<x>:REFLevels:PERCent:FALLLow	Sets or queries the falling edge for low reference level in percentage for the specified power measurement badge.
POWer:POWer<x>:REFLevels:PERCent:FALLMid	Sets or queries the falling edge for mid reference level in percentage for the specified power measurement badge.
POWer:POWer<x>:REFLevels:PERCent:HYSteresis	Sets or queries the hysteresis in percentage for the specified power measurement badge.
POWer:POWer<x>:REFLevels:PERCent:RISEHigh	Sets or queries the rising edge for high reference level in percentage for the specified power measurement badge.
POWer:POWer<x>:REFLevels:PERCent:RISELow	Sets or queries the rising edge for low reference level in percentage for the specified power measurement badge.
POWer:POWer<x>:REFLevels:PERCent:RISEMid	Sets or queries the rising edge for mid reference level in percentage for the specified power measurement badge.
POWer:POWer<x>:REFLevels:PERCent:TYPE	Sets or queries the reference levels for the specified power measurement badge.
POWer:POWer<x>:RESUltS:ALLAcqs:MAXimum?	Queries the maximum value of all acquisitions for the measurement parameter of the specified power measurement number.

Table 2-42: Power commands (cont.)

Command	Description
POWER:POWer<x>:RESUlts:ALLAcqs:MEAN?	Queries the mean value of all acquisitions for the measurement parameter of the specified power measurement number.
POWER:POWer<x>:RESUlts:ALLAcqs:MINimum?	Queries the minimum value of all acquisitions for the measurement parameter of the specified power measurement number.
POWER:POWer<x>:RESUlts:ALLAcqs:PK2PK?	Queries the peak-to-peak value of all acquisitions for the measurement parameter of the specified power measurement number.
POWER:POWer<x>:RESUlts:ALLAcqs:POPulation?	Queries the population (number of complete cycles) of all acquisitions for the measurement parameter of the specified power measurement number.
POWER:POWer<x>:RESUlts:ALLAcqs:STDDev?	Queries the standard deviation value of all acquisitions for the measurement parameter of the specified power measurement number.
POWER:POWer<x>:RESUlts:CURRentacq:F1MAG?	Queries the first harmonics magnitude value for the specified power measurement badge.
POWER:POWer<x>:RESUlts:CURRentacq:F3MAG?	Queries the third harmonics magnitude value for the specified power measurement badge.
POWER:POWer<x>:RESUlts:CURRentacq:FREQUENCY?	Queries the fundamental frequency for the specified power measurement badge.
POWER:POWer<x>:RESUlts:CURRentacq:IRMS?	Queries the RMS current value for the specified power measurement badge.
POWER:POWer<x>:RESUlts:CURRentacq:MAXimum?	Queries the maximum value of the current acquisition for the measurement parameter of the specified power measurement number.
POWER:POWer<x>:RESUlts:CURRentacq:MEAN?	Queries the mean value of the current acquisition for the measurement parameter of the specified power measurement number.
POWER:POWer<x>:RESUlts:CURRentacq:MINimum?	Queries the minimum value of the current acquisition for the measurement parameter of the specified power measurement number.
POWER:POWer<x>:RESUlts:CURRentacq:PK2PK?	Queries the peak-to-peak value of the current acquisition for the measurement parameter of the specified power measurement number.
POWER:POWer<x>:RESUlts:CURRentacq:POHCL?	Queries the limit of partial odd harmonic current for the specified power measurement badge.
POWER:POWer<x>:RESUlts:CURRentacq:POHCM?	Queries the measured value of partial odd harmonic current for the specified power measurement badge.
POWER:POWer<x>:RESUlts:CURRentacq:POHCS?	Queries the status of partial odd harmonic current for the specified power measurement badge.
POWER:POWer<x>:RESUlts:CURRentacq:POPulation?	Queries the population (number of complete cycles) of the current acquisition for the measurement parameter of the specified power measurement number.
POWER:POWer<x>:RESUlts:CURRentacq:RMS?	Queries the RMS value of the source selected for the specified power measurement badge.
POWER:POWer<x>:RESUlts:CURRentacq:STATUS?	Queries the status of the measurement for the specified power measurement badge.

Table 2-42: Power commands (cont.)

Command	Description
POWer:POWer<x>:RESUlts:CURRentacq:STDDev?	Queries the standard deviation value of the current acquisition for the measurement parameter of the specified power measurement number.
POWer:POWer<x>:RESUlts:CURRentacq:THDF?	Queries the total harmonic distortion (fundamental) value for the specified power measurement badge.
POWer:POWer<x>:RESUlts:CURRentacq:THDR?	Queries the total harmonic distortion (RMS) value for the specified power measurement badge.
POWer:POWer<x>:RESUlts:CURRentacq:TRPWR?	Queries the true power value for the specified power measurement badge.
POWer:POWer<x>:RESUlts:CURRentacq:VRMS?	Queries the RMS voltage value for the specified power measurement badge.
POWer:POWer<x>:SEQSETup	Runs the power measurement sequence setup.
POWer:POWer<x>:SEQuence	Sets or queries the run state of a single sequence power measurement.
POWer:POWer<x>:SOA:ISOURce	Sets or queries the current source for SOA measurement of the specified power measurement number.
POWer:POWer<x>:SOA:POINT<x>	Sets or queries the X or Y coordinate value for a specified SOA mask point.
POWer:POWer<x>:SOA:RECAAllmask	Recalls or queries the recall mask file name of the specified power measurement number.
POWer:POWer<x>:SOA:RECAAllmask:FILEName	Sets or queries the file name for saving SOA mask file name of the specified power measurement number.
POWer:POWer<x>:SOA:SAVemask	Saves the mask file as per the name configured and at the configured path or queries the mask file name, path, and file type for the SOA measurement of the specified power measurement number.
POWer:POWer<x>:SOA:SAVemask:AUTOINCrement	Sets or queries the state of auto-increment for saved SOA mask file names of the specified power measurement number.
POWer:POWer<x>:SOA:SAVemask:FILEName	Sets or queries the mask file name for SOA measurement of the specified power measurement number.
POWer:POWer<x>:SOA:SAVemask:FOLDer	Sets or queries the mask file folder path for SOA measurement of the specified power measurement number.
POWer:POWer<x>:SOA:VSOURce	Sets or queries the voltage source for SOA measurement of the specified power measurement number.
POWer:POWer<x>:SWITCHINGLOSS:DEVICEType	Sets or queries the conduction calculation method for switching loss measurement of the specified power measurement number.
POWer:POWer<x>:SWITCHINGLOSS:GATESource	Sets or queries the gate voltage (V_g) for the switching loss measurement of the specified power measurement number.
POWer:POWer<x>:SWITCHINGLOSS:ILEVELAbs	Sets or queries the current level (Ton-Start & Stop) in absolute units for switching loss measurement of the specified power measurement number.
POWer:POWer<x>:SWITCHINGLOSS:ILEVELPct	Sets or queries the current level (Ton-Start & Stop) in percentage for switching loss measurement of the specified power measurement number.

Table 2-42: Power commands (cont.)

Command	Description
POWER:POWer<x>: SWITCHINGLOSS:ISOURce	Sets or queries the current source for the switching loss measurement of the specified power measurement number.
POWER:POWer<x>: SWITCHINGLOSS:LEVELUNIts	Sets or queries the level units for switching loss measurement of the specified power measurement number.
POWER:POWer<x>: SWITCHINGLOSS:RDSOn	Sets or queries the RDS(on) value for switching loss measurement of the specified power measurement number.
POWER:POWer<x>: SWITCHINGLOSS: SWLCONFIgType	Sets or queries the configuration type for the switching loss measurement of the specified power measurement number.
POWER:POWer<x>: SWITCHINGLOSS:VCEsat	Sets or queries the value for the VCE(sat) value for switching loss measurement of the specified power measurement number.
POWER:POWer<x>: SWITCHINGLOSS:VGLLevel	Sets or queries the gate voltage value (V_g Level Ton-Start) for the switching loss measurement of the specified power measurement number.
POWER:POWer<x>: SWITCHINGLOSS:VLEVELAbs	Sets or queries the voltage level (Ton-Start & Stop) in absolute units for switching loss measurement of the specified power measurement number.
POWER:POWer<x>: SWITCHINGLOSS:VLEVELPct	Sets or queries the voltage level (Ton-Start & Stop) in percentage for switching loss measurement of the specified power measurement number.
POWER:POWer<x>: SWITCHINGLOSS:VSOURce	Sets or queries the voltage source for the switching loss measurement of the specified power measurement number.
POWER:POWer<x>: SWITCHINGRIPPLE:INPUTSOurce	Sets or queries the input source for switching ripple measurement of the specified power measurement number.
POWER:POWer<x>: SWITCHINGRIPPLE:LFREQuency	Sets or queries the switching frequency for switching ripple measurement of the specified power measurement number.
POWER:POWer<x>:TURNOFFtime: FREQuency	Sets or queries the input frequency used by the AC or DC converter of the specified Turn Off Time measurement.
POWER:POWer<x>:TURNOFFtime: INPUTLEVel	Sets or returns the input frequency used by the AC or DC converter of the specified Turn Off Time measurement.
POWER:POWer<x>:TURNOFFtime: INPUTSOurce	Sets or queries the input source of the specified Turn Off Time measurement.
POWER:POWer<x>:TURNOFFtime: MAXTIme	Sets or queries the maximum turn off time of the specified Turn Off Time measurement.
POWER:POWer<x>:TURNOFFtime: MAXVoltage	Sets or queries the maximum voltage of the specified Turn OffTime measurement.
POWER:POWer<x>:TURNOFFtime: NUMOUTputs	Sets or queries the number of outputs of the specified Turn Off Time power measurement.
POWER:POWer<x>:TURNOFFtime: OUTPUT1SOURce	Sets or queries the output 1 source of the specified Turn Off Time measurement.
POWER:POWer<x>:TURNOFFtime: OUTPUT1VOLTage	Sets or queries the output 1 voltage level of the of the specified Turn Off Time power measurement.

Table 2-42: Power commands (cont.)

Command	Description
POWer:POWer<x>:TURNOFFtime:OUTPUT2SOURce	Sets or queries the output 2 source of the specified Turn Off Time measurement.
POWer:POWer<x>:TURNOFFtime:OUTPUT2VOLTage	Sets or queries the output 2 voltage level of the specified Turn Off Time power measurement.
POWer:POWer<x>:TURNOFFtime:OUTPUT3SOURce	Sets or queries the output 3 source of the specified Turn Off Time measurement.
POWer:POWer<x>:TURNOFFtime:OUTPUT3VOLTage	Sets or queries the output 3 voltage level of the specified Turn Off Time power measurement.
POWer:POWer<x>:TURNOFFtime:OUTPUT4SOURce	Sets or queries the output 4 source of the specified Turn Off Time measurement.
POWer:POWer<x>:TURNOFFtime:OUTPUT4VOLTage	Sets or queries the output 4 voltage level of the specified Turn Off Time power measurement.
POWer:POWer<x>:TURNOFFtime:OUTPUT5SOURce	Sets or queries the output 5 source of the specified Turn Off Time measurement.
POWer:POWer<x>:TURNOFFtime:OUTPUT5VOLTage	Sets or queries the output 5 voltage level of the specified Turn Off Time power measurement.
POWer:POWer<x>:TURNOFFtime:OUTPUT6SOURce	Sets or queries the output 6 source of the specified Turn Off Time measurement.
POWer:POWer<x>:TURNOFFtime:OUTPUT6VOLTage	Sets or queries the output 6 voltage level of the specified Turn Off Time power measurement.
POWer:POWer<x>:TURNOFFtime:OUTPUT7SOURce	Sets or queries the output 7 source of the specified Turn Off Time measurement.
POWer:POWer<x>:TURNOFFtime:OUTPUT7VOLTage	Sets or queries the output 7 voltage level of the specified Turn Off Time power measurement.
POWer:POWer<x>:TURNOFFtime:TYPE	Sets or queries the type of AC/DC converter used in the specified Turn Off Time power measurement.
POWer:POWer<x>:TURNONtime:FREQuency	Sets or queries the input frequency used by the AC or DC converter of the specified Turn On Time measurement.
POWer:POWer<x>:TURNONtime:INPUTLEVel	Sets or queries the input voltage level of the specified Turn On Time measurement.
POWer:POWer<x>:TURNONtime:INPUTSOurce	Sets or queries the input source of the specified Turn On Time measurement.
POWer:POWer<x>:TURNONtime:MAXTIME	Sets or queries the maximum turn on time of the specified Turn On Time measurement.
POWer:POWer<x>:TURNONtime:MAXVoltage	Sets or queries the maximum voltage setting of the specified Turn On Time measurement.
POWer:POWer<x>:TURNONtime:NUMOUTputs	Sets or queries the number of outputs for the specified Turn On Time power measurement.

Table 2-42: Power commands (cont.)

Command	Description
POWer:POWer<x>:TURNONtime:OUTPUT1SOURce	Sets or queries the output 1 source of the specified Turn On Time measurement.
POWer:POWer<x>:TURNONtime:OUTPUT1VOLTage	Sets or queries the output 1 voltage level of the specified Turn On Time power measurement.
POWer:POWer<x>:TURNONtime:OUTPUT2SOURce	Sets or queries the output 2 source of the specified Turn On Time measurement.
POWer:POWer<x>:TURNONtime:OUTPUT2VOLTage	Sets or queries the output 2 voltage level of the specified Turn On Time power measurement.
POWer:POWer<x>:TURNONtime:OUTPUT3SOURce	Sets or queries the output 3 source of the specified Turn On Time measurement.
POWer:POWer<x>:TURNONtime:OUTPUT3VOLTage	Sets or queries the output 3 voltage level of the specified Turn On Time power measurement.
POWer:POWer<x>:TURNONtime:OUTPUT4SOURce	Sets or queries the output 4 source of the specified Turn On Time measurement.
POWer:POWer<x>:TURNONtime:OUTPUT4VOLTage	Sets or queries the output 4 voltage level of the specified Turn On Time power measurement.
POWer:POWer<x>:TURNONtime:OUTPUT5SOURce	Sets or queries the output 5 source of the specified Turn On Time measurement.
POWer:POWer<x>:TURNONtime:OUTPUT5VOLTage	Sets or queries the output 5 voltage level of the specified Turn On Time power measurement.
POWer:POWer<x>:TURNONtime:OUTPUT6SOURce	Sets or queries the output 6 source of the specified Turn On Time measurement.
POWer:POWer<x>:TURNONtime:OUTPUT6VOLTage	Sets or queries the output 6 voltage level of the specified Turn On Time power measurement.
POWer:POWer<x>:TURNONtime:OUTPUT7SOURce	Sets or queries the output 7 source of the specified Turn On Time measurement.
POWer:POWer<x>:TURNONtime:OUTPUT7VOLTage	Sets or queries the output 7 voltage level of the specified Turn On Time power measurement.
POWer:POWer<x>:TURNONtime:TYPE	Sets or queries the type of AC/DC converter used in the specified Turn On Time power measurement.
POWer:POWer<x>:TYPE	Sets or queries the measurement type for the specified power measurement badge.
POWer:POWer<x>:WRAP:DEGrees	Sets or returns the phase wrap value for FRA measurements.
POWer:POWer<x>:WRAP:STATE	Sets or returns the phase wrap status for FRA measurements.

Save and Recall command group

Use the commands in the Save and Recall Command Group to store and retrieve internal waveforms and settings. When you save a setup, you save all the settings of the instrument. When you recall a setup, the instrument restores itself to the state that it was in when you originally saved that setting.

Table 2-43: Save and Recall commands

Command	Description
FACTory	Resets the instrument to factory default settings.
RECALL:SESSion	Restores the state of the instrument from a saved session file.
RECALL:SETUp	Recalls saved instrument settings.
RECALL:WAVEform	Recalls a stored waveform to a reference memory location.
SAVE:EVENTtable:BUS	Saves bus results table to the specified file.
SAVE:EVENTtable:CUSTom	Saves the results table to the specified file path and name.
SAVE:EVENTtable:CUSTom:COMMENTS	Sets or queries comments to be included in saved results table files.
SAVE:EVENTtable:CUSTom:DATAFormat	Sets or queries the data format to use for saving results table data.
SAVE:EVENTtable:CUSTom:INCLUDEREFs	Sets or queries whether to include displayed reference waveforms with saved results table files.
SAVE:EVENTtable:MEASUrement	Saves data (measurement) results to the specified file.
SAVE:EVENTtable:PEAKS	Saves peak markers results table to the specified file.
SAVE:EVENTtable:SEARCHTable	Saves a search results table to the specified file.
SAVE:IMAGe	Saves a capture of the screen contents to the specified image file.
SAVE:IMAGe:COMPosition	Sets or queries the color mode for saved images (normal or inverted).
SAVE:IMAGe:VIEWTYpe	Sets or queries the view type for saved images. Currently only FULLScreen is supported.
SAVE:MASK	Saves the given Waveview Mask to the specified file.
SAVE:PLOTData	Saves the plot data of the currently selected plot in a specified file. Supported file format is CSV.
SAVE:REPOrt	Saves a report to the specified file or, if no argument is specified, uses the folder and file name specified by the related commands.
SAVE:REPOrt:COMMENTS	Sets or queries the comments to be included in saved report files.
SAVE:SESSion	Saves the state of the instrument, including reference waveforms, to a saved session file.
SAVE:SETUp	Saves the current instrument state to the specified file.
SAVE:SETUp:INCLUDEREFs	Sets or queries whether displayed reference waveforms are to be included in saved setups.
SAVE:WAVEform	Saves the specified waveform(s) to the specified destination file(s).
SAVE:WAVEform:GATing	Sets the method to save a specified part of the waveform data.
SAVE:WAVEform:GATing:RESAMPLERate	Saves the waveform data at a sample interval.
SAVE:WAVEform:SOURCEList?	Returns a list of the available waveforms that can be specified as the source for the SAVE:WAVEform command.

Save On command Group

Use this group of commands to program the instrument to save images, measurements, waveforms, or the instrument setup, on triggers that you select. These commands still function, however the **Act On Event** commands are preferred. Please see the Act On Event section for continued development and enhancements. (See Table 2-18.)

Table 2-44: Save On commands

Command	Description
SAVEON:FILE:DEST	Sets or queries the location where files are saved.
SAVEON:FILE:NAME	Sets or queries the file name to use when SAVEON:TRIGger is ON.
SAVEON:IMAGe:FILEFormat	Sets or queries the file format to be used for saved image files.
SAVEON:IMAGe	Sets or queries whether to save a screen capture when a trigger occurs.
SAVEON:TRIGger	Sets or queries whether to save a file when a trigger occurs.
SAVEON:WAVEform	Sets or queries whether to save a waveform when a limit test failure, mask failure, or trigger occurs.
SAVEON:WAVEform:FILEFormat	Sets or queries the file format for saving waveform.
SAVEON:WAVEform:SOURce	Sets or queries the sources for saving waveforms.

Search and Mark command group

Use search and mark commands to seek out and identify information in waveform records that warrant further investigation.

Table 2-45: Search and Mark commands

Command	Description
SEARCH:ADDNew	Adds the specified search.
SEARCH:DELeTe	Deletes the specified search.
SEARCH:DELETEALL	Deletes all the active instances of measurements defined in the scope application.
SEARCH:LIST?	Lists all currently defined searches.
SEARCH:SEARCH<x>:COpy	Copies the search criteria to or from the trigger.
SEARCH:SEARCH<x>:NAVigate	Sets the navigation action for search marks.
SEARCH:SEARCH<x>:TOTAL?	Queries the total number of found search marks for this search.
SEARCH:SEARCH<x>:TRIGger:A:BUS:ARINC429A:CONDition	Specifies a field or condition for an ARINC429 bus to search on.
SEARCH:SEARCH<x>:TRIGger:A:BUS:ARINC429A:ERRTYPe	Sets or queries the error type when searching on an ARINC429 bus signal.
SEARCH:SEARCH<x>:TRIGger:A:BUS:ARINC429A:LABel:QUALifier	Sets or queries the qualifier to be used when searching on label data for an ARINC429 bus signal.
SEARCH:SEARCH<x>:TRIGger:A:BUS:ARINC429A:LABel:VALue	Sets or queries the low value when searching on an ARINC429 label field.
SEARCH:SEARCH<x>:TRIGger:A:BUS:ARINC429A:LABel:HIVALue	Sets or queries the high value when searching on an ARINC429 label field.
SEARCH:SEARCH<x>:TRIGger:A:BUS:ARINC429A:SDI:VALue	Sets or queries the when searching on an ARINC429 SDI field.
SEARCH:SEARCH<x>:TRIGger:A:BUS:ARINC429A:SSM:VALue	Sets or queries the when searching on an ARINC429 SSM field.
SEARCH:SEARCH<x>:TRIGger:A:BUS:ARINC429A:DATA:QUALifier	Sets or queries the qualifier to be used when searching on data in the DATA field for an ARINC429 bus signal.
SEARCH:SEARCH<x>:TRIGger:A:BUS:ARINC429A:DATA:VALue	Sets or queries the low value when searching on an ARINC429 data field.
SEARCH:SEARCH<x>:TRIGger:A:BUS:ARINC429A:DATA:HIVALue	Sets or queries the high value when searching on an ARINC429 data field.
SEARCH:SEARCH<x>:TRIGger:A:BUS:AUDio:CONDition	Sets or queries the condition (word select / frame sync, or matching data) to be used when searching on an audio bus signal.
SEARCH:SEARCH<x>:TRIGger:A:BUS:AUDio:DATA:HITDMVALue	Sets or queries the binary data string for the high data word to be used when searching on an TDM audio bus signal.
SEARCH:SEARCH<x>:TRIGger:A:BUS:AUDio:DATA:HIVALue	Sets or queries the binary data string for the high data word to be used when searching on an audio bus signal.

Table 2-45: Search and Mark commands (cont.)

Command	Description
SEARCH:SEARCH<x>:TRIGger:A:BUS:AUDio:DATA:OFFSet	Sets or queries the data offset value (TDM channel) to be used when searching on a TDM type audio bus signal.
SEARCH:SEARCH<x>:TRIGger:A:BUS:AUDio:DATA:QUALifier	Sets or queries the qualifier to be used when searching on an audio bus signal.
SEARCH:SEARCH<x>:TRIGger:A:BUS:AUDio:DATA:TDMVALue	Sets or queries the binary data string for the single or low data word to be used when searching on an TDM audio bus signal
SEARCH:SEARCH<x>:TRIGger:A:BUS:AUDio:DATA:VALue	Sets or queries the binary data string for the single or low data word to be used when searching on an audio bus signal.
SEARCH:SEARCH<x>:TRIGger:A:BUS:AUDio:DATA:WORD	Sets or queries the alignment of the data (left, right or either) to be used when searching on a non-TDM type audio bus signal.
SEARCH:SEARCH<x>:TRIGger:A:BUS:AUTOETHERnet:CONDition	Sets or queries the field or condition for which to search an AutoEthernet.
SEARCH:SEARCH<x>:TRIGger:A:BUS:AUTOETHERnet:DATA:HIVALue	Sets or queries the binary data value to be used when searching on an AutoEthernet bus signal.
SEARCH:SEARCH<x>:TRIGger:A:BUS:AUTOETHERnet:DATA:OFFSet	Sets or queries the data offset value, in bytes, to use when searching on the AutoEthernet data field.
SEARCH:SEARCH<x>:TRIGger:A:BUS:AUTOETHERnet:DATA:SIZE	Sets or queries the length of the data string, in bytes, to use when searching on the AutoEthernet bus signal.
SEARCH:SEARCH<x>:TRIGger:A:BUS:AUTOETHERnet:DATA:VALue	Sets or queries the binary value to use when searching on the AutoEthernet bus signal.
SEARCH:SEARCH<x>:TRIGger:A:BUS:AUTOETHERnet:ERRORTYPe	Sets the Error Type to be used when triggering on an Auto Ethernet bus signal.
SEARCH:SEARCH<x>:TRIGger:A:BUS:AUTOETHERnet:ETHer:HEADer	Sets the Header Type to be used when triggering for ether type on an Auto Ethernet bus signal.
SEARCH:SEARCH<x>:TRIGger:A:BUS:AUTOETHERnet:ETHer:TYPe	Sets the Ether Type to be used when triggering on an Auto Ethernet bus signal.
SEARCH:SEARCH<x>:TRIGger:A:BUS:AUTOETHERnet:IPHeader: DESTinationaddr: VALue	Sets or queries the binary destination address value to use when searching on an AutoEthernet bus signal.
SEARCH:SEARCH<x>:TRIGger:A:BUS:AUTOETHERnet:IPHeader:PROTOcol:VALue	Sets or queries the binary protocol value to use when searching on the Ethernet bus signal.
SEARCH:SEARCH<x>:TRIGger:A:BUS:AUTOETHERnet:IPHeader:SOURceaddr:VALue	Sets or queries the binary source address value to use when searching on an AutoEthernet bus signal.
SEARCH:SEARCH<x>:TRIGger:A:BUS:AUTOETHERnet:MAC:ADDReSS: DESTination: VALue	Sets or queries the binary MAC address destination value to use when searching on an AutoEthernet bus signal.
SEARCH:SEARCH<x>:TRIGger:A:BUS:AUTOETHERnet:MAC:ADDReSS:SOURce: VALue	Sets or queries the binary MAC address source value to use when searching on an AutoEthernet bus signal.

Table 2-45: Search and Mark commands (cont.)

Command	Description
SEARCH:SEARCH<x>:TRIGger:A:BUS:AUTOETHERnet:MAC:LENgth:HIVALue	Sets or queries the binary MAC length high value to use when searching on an AutoEthernet bus signal.
SEARCH:SEARCH<x>:TRIGger:A:BUS:AUTOETHERnet:MAC:LENgth:VALue	Sets or queries the MAC length value to use when searching on an Ethernet bus signal.
SEARCH:SEARCH<x>:TRIGger:A:BUS:AUTOETHERnet:PAYLoad:SIZE	Sets the length of the data string, in bytes, to be used when triggering on an Auto Ethernet bus signal.
SEARCH:SEARCH<x>:TRIGger:A:BUS:AUTOETHERnet:PAYLoad:VALue	Sets payload value to be used when triggering on an Auto Ethernet bus signal.
SEARCH:SEARCH<x>:TRIGger:A:BUS:AUTOETHERnet:QTAG:VALue	Sets or queries the binary Q-tag information to use when searching on an AutoEthernet bus signal.
SEARCH:SEARCH<x>:TRIGger:A:BUS:AUTOETHERnet:QUALifier	Sets or queries the qualifier to be used when searching on an AutoEthernet bus signal.
SEARCH:SEARCH<x>:TRIGger:A:BUS:AUTOETHERnet:TBT1s:DATA:LENgth	Sets the length of the data (in bytes) for data pattern to be used when triggering on an Auto Ethernet bus signal.
SEARCH:SEARCH<x>:TRIGger:A:BUS:AUTOETHERnet:TBT1s:DATA:VALue	Sets Data value for data string to be used when triggering on an Auto Ethernet bus signal.
SEARCH:SEARCH<x>:TRIGger:A:BUS:AUTOETHERnet:TCPHeader:ACKnum:VALue	Sets or queries the binary ack number value to use when searching on an AutoEthernet bus signal.
SEARCH:SEARCH<x>:TRIGger:A:BUS:AUTOETHERnet:TCPHeader:DESTinationport:VALue	Sets or queries the binary destination port value to use when searching on the AutoEthernet TCP header destination port number.
SEARCH:SEARCH<x>:TRIGger:A:BUS:AUTOETHERnet:TCPHeader:SEQnum:VALue	Sets or queries the TCP header sequence number value to use when searching on the AutoEthernet TCP header destination port number.
SEARCH:SEARCH<x>:TRIGger:A:BUS:AUTOETHERnet:TCPHeader:SOURceport:VALue	Sets or queries the binary source port value to use when searching on an AutoEthernet bus signal.
SEARCH:SEARCH<x>:TRIGger:A:BUS:CAN:ADS:TYPE	Sets or queries the trigger condition for a CAN bus on the ADS bits.
SEARCH:SEARCH<x>:TRIGger:A:BUS:CAN:CONDition	Sets or queries the CAN bus trigger condition.
SEARCH:SEARCH<x>:TRIGger:A:BUS:CAN:CRCType	Sets or queries the CAN XL trigger type to be valid on PCRC and FCRC.
SEARCH:SEARCH<x>:TRIGger:A:BUS:CAN:DAS:TYPE	Sets or queries the trigger condition for a CAN bus on the DAS bits.
SEARCH:SEARCH<x>:TRIGger:A:BUS:CAN:DATA:DIRection	Sets the CAN search type.
SEARCH:SEARCH<x>:TRIGger:A:BUS:CAN:DATA:OFFSet	Sets or queries the data offset value, in bytes, to use when searching on the CAN data field.

Table 2-45: Search and Mark commands (cont.)

Command	Description
SEARCH:SEARCH<x>:TRIGger:A:BUS:CAN:DATA:QUALifier	Sets or queries the CAN bus trigger data qualifier.
SEARCH:SEARCH<x>:TRIGger:A:BUS:CAN:DATA:SIZE	Sets or queries the CAN bus trigger data size.
SEARCH:SEARCH<x>:TRIGger:A:BUS:CAN:DATA:VALue	Sets or queries the binary data value to be used when searching on a CAN bus signal.
SEARCH:SEARCH<x>:TRIGger:A:BUS:CAN:DATA:XLBITType	Sets or queries the trigger condition for a CAN bus on the XL Data bits.
SEARCH:SEARCH<x>:TRIGger:A:BUS:CAN:ERRType	Sets or queries the type of error condition for a CAN bus to search on.
SEARCH:SEARCH<x>:TRIGger:A:BUS:CAN:FD:BRSBit	Sets or queries the value of the bit rate switch bit (BRS bit) for a CAN bus to search on.
SEARCH:SEARCH<x>:TRIGger:A:BUS:CAN:FD:ESIBit	Sets or queries the value of the error state indicator bit (ESI bit) for a CAN bus to search on.
SEARCH:SEARCH<x>:TRIGger:A:BUS:CAN:FRAMEtype	Sets or queries CAN bus trigger frame type.
SEARCH:SEARCH<x>:TRIGger:A:BUS:CAN:IDentifier:MODE	Sets or queries the CAN bus trigger identifier mode.
SEARCH:SEARCH<x>:TRIGger:A:BUS:CAN:IDentifier:VALue	Sets or queries CAN bus trigger identifier value.
SEARCH:SEARCH<x>:TRIGger:A:BUS:CAN:PIDentifier:SIZE	Sets or queries the length of the data string, in bytes, to be used when triggering on a CAN bus signal.
SEARCH:SEARCH<x>:TRIGger:A:BUS:CAN:PIDentifier:VALue	Sets or queries the binary data value to be used when triggering on a CAN bus signal when standard is XL.
SEARCH:SEARCH<x>:TRIGger:A:BUS:CAN:XLDATA:SIZE	Sets or queries the length of the data string, in bytes, to be used when searching on a CAN bus signal.
SEARCH:SEARCH<x>:TRIGger:A:BUS:CAN:XLDATA:VALue	Sets or queries the binary data value to be used when searching on a CAN bus signal.
SEARCH:SEARCH<x>:TRIGger:A:BUS:CPHY:BLUe:VALue	Specifies the blue data string used for CPHY triggering if the trigger condition is on RGB packet.
SEARCH:SEARCH<x>:TRIGger:A:BUS:CPHY:CONDition	Sets or queries the trigger condition for an CPHY bus.
SEARCH:SEARCH<x>:TRIGger:A:BUS:CPHY:DATA:SIZE	Specifies the length of the data string in bytes to be used for an CPHY trigger if the trigger condition is DATA.
SEARCH:SEARCH<x>:TRIGger:A:BUS:CPHY:DATA:VALue	Specifies the binary data string used for CPHY triggering if the trigger condition is DATA.
SEARCH:SEARCH<x>:TRIGger:A:BUS:CPHY:ERRor:TYPE	Sets or queries the error type for CPHY bus.

Table 2-45: Search and Mark commands (cont.)

Command	Description
SEARCH:SEARCH<x>:TRIGger:A:BUS:CPHY:ESCAPEMODE:COMManD	Sets or queries the escape mode command type for CPHY bus.
SEARCH:SEARCH<x>:TRIGger:A:BUS:CPHY:GREEN:VALue	Specifies the green data string used for CPHY triggering if the trigger condition is on RGB packet.
SEARCH:SEARCH<x>:TRIGger:A:BUS:CPHY:MODE:TYPE	Sets or queries the mode type for CPHY bus.
SEARCH:SEARCH<x>:TRIGger:A:BUS:CPHY:PACKets:LIST	Sets or queries the packet list for CPHY bus.
SEARCH:SEARCH<x>:TRIGger:A:BUS:CPHY:PACKets:TYPE	Sets or queries the packet type for an CPHY bus.
SEARCH:SEARCH<x>:TRIGger:A:BUS:CPHY:PIXel:NUMBer	Specifies the pixel number to be used for CPHY triggering if the trigger condition is on pixel number pattern.
SEARCH:SEARCH<x>:TRIGger:A:BUS:CPHY:PIXel:SEARCHOPTion	Sets or queries the search pattern type for CPHY bus.
SEARCH:SEARCH<x>:TRIGger:A:BUS:CPHY:RED:VALue	Specifies the red data string used for CPHY triggering if the trigger condition is on RGB packet.
SEARCH:SEARCH<x>:TRIGger:A:BUS:CPHY:SYMBOL:SIZE	Specifies the length of the data string in bytes to be used for an CPHY trigger if the trigger condition is SYMBOL.
SEARCH:SEARCH<x>:TRIGger:A:BUS:CPHY:SYMBOL:VALue	Specifies the binary data string used for CPHY triggering if the trigger condition is Symbol.
SEARCH:SEARCH<x>:TRIGger:A:BUS:CPHY:WORD:SIZE	Specifies the length of the word string in bytes to be used for an CPHY trigger if the trigger condition is WORD.
SEARCH:SEARCH<x>:TRIGger:A:BUS:CPHY:WORD:VALue	Specifies the binary data string used for CPHY triggering if the trigger condition is WORD.
SEARCH:SEARCH<x>:TRIGger:A:BUS:CPHY:WORDCOUNT:VALue	Specifies the word count data string used for CPHY triggering if the trigger condition is on any rgb/ycbcr/yuv packet.
SEARCH:SEARCH<x>:TRIGger:A:BUS:CPHY:YCBCR:CB	Specifies the Cb data string used for CPHY triggering if the trigger condition is on YCbCr packet.
SEARCH:SEARCH<x>:TRIGger:A:BUS:CPHY:YCBCR:CR	Specifies the Cr data string used for CPHY triggering if the trigger condition is on YCbCr packet.
SEARCH:SEARCH<x>:TRIGger:A:BUS:CPHY:YCBCR:Y	Specifies the Y data string used for CPHY triggering if the trigger condition is on YCbCr packet.
SEARCH:SEARCH<x>:TRIGger:A:BUS:CPHY:YUV:U	Specifies the U data string used for CPHY triggering if the trigger condition is on YUV packet.
SEARCH:SEARCH<x>:TRIGger:A:BUS:CPHY:YUV:V	Specifies the V data string used for CPHY triggering if the trigger condition is on YUV packet.
SEARCH:SEARCH<x>:TRIGger:A:BUS:CPHY:YUV:Y	Specifies the Y data string used for CPHY triggering if the trigger condition is on YUV packet.

Table 2-45: Search and Mark commands (cont.)

Command	Description
SEARCH:SEARCH<x>:TRIGger:A:BUS:DXPI:CONDition	Sets or queries the trigger condition for a DXPI bus.
SEARCH:SEARCH<x>:TRIGger:A:BUS:DXPI:COUNTER:VALue	Specifies the binary counter string used for DXPI triggering if the trigger condition is COUNTER.
SEARCH:SEARCH<x>:TRIGger:A:BUS:DXPI:DATA:SIZE	Specifies the length of the data string in bytes to be used for DXPI triggering if the trigger condition is DATA.
SEARCH:SEARCH<x>:TRIGger:A:BUS:DXPI:DATA:VALue	Specifies the binary data string used for DXPI triggering if the trigger condition is DATA.
SEARCH:SEARCH<x>:TRIGger:A:BUS:DXPI:DLC:VALue	Specifies the binary dlc string used for DXPI triggering if the trigger condition is DLC.
SEARCH:SEARCH<x>:TRIGger:A:BUS:DXPI:ERROR:TYPE	Sets or queries the Error Type in DXPI bus.
SEARCH:SEARCH<x>:TRIGger:A:BUS:DXPI:EXTDLC:VALue	Specifies the binary dlc string used for DXPI triggering if the trigger condition is Ext DLC.
SEARCH:SEARCH<x>:TRIGger:A:BUS:DXPI:FRAME:TYPE	Sets or queries the frame type in DXPI bus.
SEARCH:SEARCH<x>:TRIGger:A:BUS:DXPI:FRAMEID:VALue	Specifies the binary frameid string used for DXPI triggering if the trigger condition is FRAMEID.
SEARCH:SEARCH<x>:TRIGger:A:BUS:DXPI:NETMN:SLEEPIND	Sets or queries the Sleep Status in DXPI bus.
SEARCH:SEARCH<x>:TRIGger:A:BUS:DXPI:NETMN:WAKEUPIND	Sets or queries the Wakeup Status in DXPI bus.
SEARCH:SEARCH<x>:TRIGger:A:BUS:DPHY:BLUE:VALue	Specifies the blue data string used for DPHY triggering if the trigger condition is on RGB packet.
SEARCH:SEARCH<x>:TRIGger:A:BUS:DPHY:CONDition	Sets or queries the trigger condition for an DPHY bus.
SEARCH:SEARCH<x>:TRIGger:A:BUS:DPHY:DATA:SIZE	Specifies the length of the data string in bytes to be used for an DPHY trigger if the trigger condition is DATA.
SEARCH:SEARCH<x>:TRIGger:A:BUS:DPHY:DATA:VALue	Specifies the binary data string used for DPHY triggering if the trigger condition is DATA.
SEARCH:SEARCH<x>:TRIGger:A:BUS:DPHY:ERROR:TYPE	Sets or queries the error type for DPHY bus.
SEARCH:SEARCH<x>:TRIGger:A:BUS:DPHY:ESCAPEMODE:COMMAND	Sets or queries the escape mode command type for DPHY bus.
SEARCH:SEARCH<x>:TRIGger:A:BUS:DPHY:GREEN:VALue	Specifies the green data string used for DPHY triggering if the trigger condition is on RGB packet.
SEARCH:SEARCH<x>:TRIGger:A:BUS:DPHY:MODE:TYPE	Sets or queries the mode type for DPHY bus.

Table 2-45: Search and Mark commands (cont.)

Command	Description
SEARCH:SEARCH<x>:TRIGger:A:BUS:DPHY:PACKets:LIST	Sets or queries the packet list for DPHY bus.
SEARCH:SEARCH<x>:TRIGger:A:BUS:DPHY:PACKets:TYPE	Sets or queries the packet type for DPHY bus.
SEARCH:SEARCH<x>:TRIGger:A:BUS:DPHY:PIXel:NUMBER	Specifies the pixel number to be used for DPHY triggering if the trigger condition is on pixel number pattern.
SEARCH:SEARCH<x>:TRIGger:A:BUS:DPHY:PIXel:SEARCHOPTion	Sets or queries the search pattern type for DPHY bus.
SEARCH:SEARCH<x>:TRIGger:A:BUS:DPHY:RED:VALue	Specifies the red data string used for DPHY triggering if the trigger condition is on RGB packet.
SEARCH:SEARCH<x>:TRIGger:A:BUS:DPHY:WORDCOUNT:VALue	Specifies the word count data string used for DPHY triggering if the trigger condition is set on any pixel packet.
SEARCH:SEARCH<x>:TRIGger:A:BUS:DPHY:YCBCR:CB	Specifies the Cb data string used for DPHY triggering if the trigger condition is on YCbCr packet.
SEARCH:SEARCH<x>:TRIGger:A:BUS:DPHY:YCBCR:CR	Specifies the Cr data string used for DPHY triggering if the trigger condition is on YCbCr packet.
SEARCH:SEARCH<x>:TRIGger:A:BUS:DPHY:YCBCR:Y	Specifies the Y data string used for DPHY triggering if the trigger condition is on YCbCr packet.
SEARCH:SEARCH<x>:TRIGger:A:BUS:DPHY:YUV:U	Specifies the U data string used for DPHY triggering if the trigger condition is on YUV packet.
SEARCH:SEARCH<x>:TRIGger:A:BUS:DPHY:YUV:V	Specifies the V data string used for DPHY triggering if the trigger condition is on YUV packet.
SEARCH:SEARCH<x>:TRIGger:A:BUS:DPHY:YUV:Y	Specifies the Y data string used for DPHY triggering if the trigger condition is on YUV packet.
SEARCH:SEARCH<x>:TRIGger:A:BUS:ESPI:ADDRESS:VALue	Specifies the binary data string used for ESPI triggering if the trigger condition is Address.
SEARCH:SEARCH<x>:TRIGger:A:BUS:ESPI:COMMAND:OPCode	Sets or queries the command opcode in ESPI bus.
SEARCH:SEARCH<x>:TRIGger:A:BUS:ESPI:CONDition	Sets or queries the trigger condition for a ESPI bus.
SEARCH:SEARCH<x>:TRIGger:A:BUS:ESPI:CYCLETYPE	Sets or queries the cycle type on command in ESPI bus.
SEARCH:SEARCH<x>:TRIGger:A:BUS:ESPI:DATA:SIZE	Specifies the length of the data string in bytes to be used for ESPI triggering if the trigger condition is DATA.
SEARCH:SEARCH<x>:TRIGger:A:BUS:ESPI:DATA:VALue	Specifies the binary data string used for ESPI triggering if the trigger condition is Data.
SEARCH:SEARCH<x>:TRIGger:A:BUS:ESPI:ERRor:TYPE	Sets or queries the error type on command or response in ESPI bus.

Table 2-45: Search and Mark commands (cont.)

Command	Description
SEARCH:SEARCH<x>:TRIGger:A:BUS:ESPI:LENGth:VALue	Specifies the binary data string used for ESPI triggering if the trigger condition is Length.
SEARCH:SEARCH<x>:TRIGger:A:BUS:ESPI:PHASe	Sets or queries the phase in ESPI bus.
SEARCH:SEARCH<x>:TRIGger:A:BUS:ESPI:RESPCYCLE:TYPE	Sets or queries the response cycle type on command in ESPI bus.
SEARCH:SEARCH<x>:TRIGger:A:BUS:ESPI:SMBUS:DESTInation:ADDReSS	Specifies the binary data string used for ESPI triggering if the trigger condition is SMBus Source/Destination Address.
SEARCH:SEARCH<x>:TRIGger:A:BUS:ESPI:SMBUS:SLAVe:ADDReSS	Specifies the binary data string used for ESPI triggering if the trigger condition is SMBus Slave Address.
SEARCH:SEARCH<x>:TRIGger:A:BUS:ESPI:TAG:VALue	Specifies the binary data string used for ESPI triggering if the trigger condition is Tag.
SEARCH:SEARCH<x>:TRIGger:A:BUS:ESPI:VIRTUALWIRe:COUNT:VALue	Specifies the binary data string used for ESPI triggering if the trigger condition is Virtual wire count.
SEARCH:SEARCH<x>:TRIGger:A:BUS:ESPI:VIRTUALWIRe:COUNT:VALue	Specifies the binary data string used for ESPI triggering if the trigger condition is Virtual wire Data.
SEARCH:SEARCH<x>:TRIGger:A:BUS:ESPI:VIRTUALWIRe:INDeX:VALue	Specifies the binary data string used for ESPI triggering if the trigger condition is Virtual wire Index.
SEARCH:SEARCH<x>:TRIGger:A:BUS:ESPI:VIRTUALWIRe:RESPonse:VALue	Specifies the binary data string used for ESPI triggering if the trigger condition is Virtual wire Response.
SEARCH:SEARCH<x>:TRIGger:A:BUS:ESPI:VIRTUALWIRe:STATus:VALue	Specifies the binary data string used for ESPI triggering if the trigger condition is Virtual wire Status.
SEARCH:SEARCH<x>:TRIGger:A:BUS:ETHERCAT:ADDRESSMODE	Sets or queries the Address Mode in EtherCAT bus.
SEARCH:SEARCH<x>:TRIGger:A:BUS:ETHERCAT:CNTNV:VALue	Sets or queries the binary Network Variable Count to be used for EtherCAT bus.
SEARCH:SEARCH<x>:TRIGger:A:BUS:ETHERCAT:COMMANDTYPE	Sets or queries the Command Type in EtherCAT bus.
SEARCH:SEARCH<x>:TRIGger:A:BUS:ETHERCAT:CONDition	Sets or queries the trigger condition for a EtherCAT bus.
SEARCH:SEARCH<x>:TRIGger:A:BUS:ETHERCAT:CYC:VALue	Sets or queries the binary Cycle Number to be used for EtherCAT bus.
SEARCH:SEARCH<x>:TRIGger:A:BUS:ETHERCAT:DATA:SIZE	Specifies the length of the data string in bytes to be used for EtherCAT bus.
SEARCH:SEARCH<x>:TRIGger:A:BUS:ETHERCAT:DATA:VALue	Specifies the binary data string used for EtherCAT bus.
SEARCH:SEARCH<x>:TRIGger:A:BUS:ETHERCAT:DATAGRAM	Sets or queries the Datagram fields in EtherCAT bus.

Table 2-45: Search and Mark commands (cont.)

Command	Description
SEARCH:SEARCH<x>:TRIGger:A:BUS:ETHERCAT:DATAGRAMHEADer	Sets or queries the Datagram Header fields in EtherCAT bus.
SEARCH:SEARCH<x>:TRIGger:A:BUS:ETHERCAT:DATAGRAMHEADer:LENGth	Sets or queries the binary Datagram length information to be used for EtherCAT bus.
SEARCH:SEARCH<x>:TRIGger:A:BUS:ETHERCAT:DESTINATIONADDRess:VALue	Sets or queries the binary MAC destination address value to be used for EtherCAT bus.
SEARCH:SEARCH<x>:TRIGger:A:BUS:ETHERCAT:DEVICEADDRess	Sets or queries the Device Address in EtherCAT bus.
SEARCH:SEARCH<x>:TRIGger:A:BUS:ETHERCAT:ERRor:REPLy:SERVice:DATA	Sets or queries the error reply service data fields in EtherCAT bus.
SEARCH:SEARCH<x>:TRIGger:A:BUS:ETHERCAT:FRAMETYPe	Sets or queries the Frame Type in EtherCAT bus.
SEARCH:SEARCH<x>:TRIGger:A:BUS:ETHERCAT:HASH:VALue	Sets or queries the binary HASH to be used for EtherCAT bus.
SEARCH:SEARCH<x>:TRIGger:A:BUS:ETHERCAT:HEADer:LENGth	Sets or queries the binary EtherCAT header length to be used for EtherCAT bus.
SEARCH:SEARCH<x>:TRIGger:A:BUS:ETHERCAT:IDENTification:VALue	Sets or queries the IP Identification to be used for EtherCAT bus.
SEARCH:SEARCH<x>:TRIGger:A:BUS:ETHERCAT:IDX:VALue	Sets or queries the binary Indexing information to be used for EtherCAT bus.
SEARCH:SEARCH<x>:TRIGger:A:BUS:ETHERCAT:INDEX:VALue	Sets or queries the binary Index to be used for EtherCAT bus.
SEARCH:SEARCH<x>:TRIGger:A:BUS:ETHERCAT:IPDESTination:ADDRess:VALue	Sets or queries the Destination IP Address to be used for EtherCAT bus.
SEARCH:SEARCH<x>:TRIGger:A:BUS:ETHERCAT:IPSOURce:ADDRess:VALue	Sets or queries the Source IP Address to be used for EtherCAT bus.
SEARCH:SEARCH<x>:TRIGger:A:BUS:ETHERCAT:IRQ:VALue	Sets or queries the binary interrupt request information to be used for EtherCAT bus.
SEARCH:SEARCH<x>:TRIGger:A:BUS:ETHERCAT:LEN:VALue	Sets or queries the binary Length to be used for EtherCAT bus.
SEARCH:SEARCH<x>:TRIGger:A:BUS:ETHERCAT:LOGICALADDRess:VALue	Sets or queries the binary logical address information to be used for EtherCAT bus.
SEARCH:SEARCH<x>:TRIGger:A:BUS:ETHERCAT:MAILbox	Sets or queries the Mailbox fields in EtherCAT bus.
SEARCH:SEARCH<x>:TRIGger:A:BUS:ETHERCAT:MAILbox:ADDRess:VALue	Sets or queries the binary Mailbox Address to be used for EtherCAT bus.
SEARCH:SEARCH<x>:TRIGger:A:BUS:ETHERCAT:MAILbox:CNT:VALue	Sets or queries the binary counter of the mailbox services to be used for EtherCAT bus.

Table 2-45: Search and Mark commands (cont.)

Command	Description
SEARCH:SEARCH<x>:TRIGger:A:BUS:ETHERCAT:MAILbox:DETail	Sets or queries the Error Reply Service Data Details in EtherCAT bus.
SEARCH:SEARCH<x>:TRIGger:A:BUS:ETHERCAT:MAILbox:HEADer	Sets or queries the Mailbox Header fields in EtherCAT bus.
SEARCH:SEARCH<x>:TRIGger:A:BUS:ETHERCAT:MAILBOXType	Sets or queries the Mailbox Type in EtherCAT bus.
SEARCH:SEARCH<x>:TRIGger:A:BUS:ETHERCAT:NETWork:VARiable	Sets or queries the Network Variable fields in EtherCAT bus.
SEARCH:SEARCH<x>:TRIGger:A:BUS:ETHERCAT:NETWork:VARiable:HEADer	Sets or queries the Network Variable Header fields in EtherCAT bus.
SEARCH:SEARCH<x>:TRIGger:A:BUS:ETHERCAT:NETWorkVARiable:DATa:SIZE	Specifies the length of the network variable data string in bytes to be used for EtherCAT bus.
SEARCH:SEARCH<x>:TRIGger:A:BUS:ETHERCAT:NETWorkVARiable:DATa:VALue	Specifies the binary network variable data string used for EtherCAT bus.
SEARCH:SEARCH<x>:TRIGger:A:BUS:ETHERCAT:OFFSet:VALue	Sets or queries the binary address offset information to be used for EtherCAT bus.
SEARCH:SEARCH<x>:TRIGger:A:BUS:ETHERCAT:POSition:VALue	Sets or queries the binary address position information to be used for EtherCAT bus.
SEARCH:SEARCH<x>:TRIGger:A:BUS:ETHERCAT:PROTOCOLType	Sets or queries the EtherCAT Protocol Type in EtherCAT bus.
SEARCH:SEARCH<x>:TRIGger:A:BUS:ETHERCAT:PUBID:VALue	Sets or queries the binary Publisher ID to be used for EtherCAT bus.
SEARCH:SEARCH<x>:TRIGger:A:BUS:ETHERCAT:QUALity:VALue	Sets or queries the binary quality to be used for EtherCAT bus.
SEARCH:SEARCH<x>:TRIGger:A:BUS:ETHERCAT:SERVice:DATa:LENGth	Sets or queries the binary service data length to be used for EtherCAT bus.
SEARCH:SEARCH<x>:TRIGger:A:BUS:ETHERCAT:SERVice:DATa:SIZE	Specifies the length of the service data string in bytes to be used for EtherCAT bus.
SEARCH:SEARCH<x>:TRIGger:A:BUS:ETHERCAT:SERVice:DATa:VALue	Specifies the length of the service data string in bytes to be used for EtherCAT bus.
SEARCH:SEARCH<x>:TRIGger:A:BUS:ETHERCAT:SOURCEADDRess:VALue	Sets or queries the binary MAC source address value to be used for EtherCAT bus.
SEARCH:SEARCH<x>:TRIGger:A:BUS:ETHERCAT:SRC:PORT:VALue	Sets or queries the UDP Source port to be used for EtherCAT bus.
SEARCH:SEARCH<x>:TRIGger:A:BUS:ETHERCAT:TCl:VALue	Sets or queries the binary Tag control Information to be used for EtherCAT bus.
SEARCH:SEARCH<x>:TRIGger:A:BUS:ETHERCAT:WKC:VALue	Sets or queries the binary Working Counter information to be used for EtherCAT bus.

Table 2-45: Search and Mark commands (cont.)

Command	Description
SEARCH:SEARCH<x>:TRIGger:A:BUS:ETHERnet:CONDition	Specifies a field or condition within an Ethernet frame to search on.
SEARCH:SEARCH<x>:TRIGger:A:BUS:ETHERnet:DATA:HIVALue	Sets or queries the binary data value to be used when searching on an Ethernet bus signal.
SEARCH:SEARCH<x>:TRIGger:A:BUS:ETHERnet:DATA:OFFSet	Specifies the data offset value, in bytes, to use when searching on the Ethernet data field.
SEARCH:SEARCH<x>:TRIGger:A:BUS:ETHERnet:DATA:QUALifier	Sets the qualifier to be used when searching on an Ethernet bus signal.
SEARCH:SEARCH<x>:TRIGger:A:BUS:ETHERnet:DATA:SIZE	Specifies the number of contiguous TCP/IPV4/MAC client bytes to use when searching on the Ethernet data field.
SEARCH:SEARCH<x>:TRIGger:A:BUS:ETHERnet:DATA:VALue	Specifies the binary value to use when searching on the Ethernet data field.
SEARCH:SEARCH<x>:TRIGger:A:BUS:ETHERnet:IPHeader:DESTinationaddr:VALue	Specifies the 32-bit value to use when searching on the Ethernet IPv4 header address destination field.
SEARCH:SEARCH<x>:TRIGger:A:BUS:ETHERnet:IPHeader:PROTOcol:VALue	Specifies the 8-bit value to use when searching on the Ethernet IPv4 header protocol field.
SEARCH:SEARCH<x>:TRIGger:A:BUS:ETHERnet:IPHeader:SOUrceaddr:VALue	Specifies the 32-bit value to use when searching on the Ethernet IPv4 header address source field.
SEARCH:SEARCH<x>:TRIGger:A:BUS:ETHERnet:MAC:ADDRess:DESTination:VALue	Specifies the 48-bit value to use when searching on the Ethernet MAC address destination field.
SEARCH:SEARCH<x>:TRIGger:A:BUS:ETHERnet:MAC:ADDRess:SOUrce:VALue	Specifies the 48-bit value to use when searching on the Ethernet MAC address source field.
SEARCH:SEARCH<x>:TRIGger:A:BUS:ETHERnet:MAC:LENGth:HIVALue	Specifies the 16-bit high value to use when searching on the Ethernet MAC length/type.
SEARCH:SEARCH<x>:TRIGger:A:BUS:ETHERnet:MAC:LENGth:VALue	Specifies the 16-bit value to use when searching on the Ethernet MAC length/type.
SEARCH:SEARCH<x>:TRIGger:A:BUS:ETHERnet:QTAG:VALue	Specifies the 32-bit value to use when searching on the Ethernet Q-Tag field.
SEARCH:SEARCH<x>:TRIGger:A:BUS:ETHERnet:TCPHeader:ACKnum:VALue	Specifies the 32-bit value to use when searching on the Ethernet TCP header acknowledgement number.
SEARCH:SEARCH<x>:TRIGger:A:BUS:ETHERnet:TCPHeader:DESTinationport:VALue	Specifies the 16-bit value to use when searching on the Ethernet TCP header destination port number.
SEARCH:SEARCH<x>:TRIGger:A:BUS:ETHERnet:TCPHeader:SEQnum:VALue	Specifies the 32-bit value to use when searching on the Ethernet TCP header sequence number.
SEARCH:SEARCH<x>:TRIGger:A:BUS:ETHERnet:TCPHeader:SOUrceport:VALue	Specifies the 16-bit value to use when searching on the Ethernet TCP header source port number.
SEARCH:SEARCH<x>:TRIGger:A:BUS:EUSB:ADDRESS:HIVALue	Sets the high binary address value to be used when triggering on a eUSB bus signal.

Table 2-45: Search and Mark commands (cont.)

Command	Description
SEARCH:SEARCH<x>:TRIGger:A:BUS:EUSB:ADDRESS:VALue	Sets the binary address value to be used when triggering on a eUSB bus signal.
SEARCH:SEARCH<x>:TRIGger:A:BUS:EUSB:CONDition	Sets or queries the search type for the specified search.
SEARCH:SEARCH<x>:TRIGger:A:BUS:EUSB:DATA:HIVALue	Sets the high binary data value to be used when triggering on a eUSB bus signal.
SEARCH:SEARCH<x>:TRIGger:A:BUS:EUSB:DATA:OFFSet	Sets the byte offset to look for a data pattern at, in bytes, to be used when triggering on a eUSB bus signal.
SEARCH:SEARCH<x>:TRIGger:A:BUS:EUSB:DATA:QUALifier	Sets the qualifier to be used when triggering on a eUSB bus signal.
SEARCH:SEARCH<x>:TRIGger:A:BUS:EUSB:DATA:SIZE	Sets the length of the data string, in bytes, to be used when triggering on a eUSB bus signal.
SEARCH:SEARCH<x>:TRIGger:A:BUS:EUSB:DATA:TYPE	Specifies the eUSB trigger type to be valid on any, data0, data1, data2, or mdata condition.
SEARCH:SEARCH<x>:TRIGger:A:BUS:EUSB:DATA:VALue	Sets the binary data value to be used when triggering on a eUSB bus signal.
SEARCH:SEARCH<x>:TRIGger:A:BUS:EUSB:DATABITS:SIZE	Sets the number of Sync bits, in bytes, to be used when triggering on a eUSB bus signal.
SEARCH:SEARCH<x>:TRIGger:A:BUS:EUSB:ENDPoint:VALue	Sets the endpoint binary value to be used when triggering on a eUSB bus signal.
SEARCH:SEARCH<x>:TRIGger:A:BUS:EUSB:ENDSEARCh	Specifies eUSB Search EOP Bits to be On and Off.
SEARCH:SEARCH<x>:TRIGger:A:BUS:EUSB:EOP:DATABITS:SIZE	Sets the number of EOP bits, in bytes, to be used when triggering on a eUSB bus signal.
SEARCH:SEARCH<x>:TRIGger:A:BUS:EUSB:EOP:QUALifier	Sets the qualifier to be used when triggering on a eUSB bus signal.
SEARCH:SEARCH<x>:TRIGger:A:BUS:EUSB:EOPBITS:MAX:SIZE	Sets the number of EOP bits, in bits, to be used when triggering on a eUSB bus signal.
SEARCH:SEARCH<x>:TRIGger:A:BUS:EUSB:EOPBITS:MIN:SIZE	Sets the number of EOP bits, in bits, to be used when triggering on a eUSB bus signal.
SEARCH:SEARCH<x>:TRIGger:A:BUS:EUSB:ERRType	Specifies the eUSB trigger type to be valid on a PID, Token CRC5, Data CRC16, or Bit stuffing condition.
SEARCH:SEARCH<x>:TRIGger:A:BUS:EUSB:HANDSHAKType	Specifies the eUSB trigger type to be valid on any, ack, nak, stall, or nyet condition.
SEARCH:SEARCH<x>:TRIGger:A:BUS:EUSB:RAP:ADDRESS:VALue	Sets the binary Register Access Protocol address value to be used when triggering on a eUSB bus signal.
SEARCH:SEARCH<x>:TRIGger:A:BUS:EUSB:RAP:COMMand	Specifies the eUSB Register Access Protocol search option

Table 2-45: Search and Mark commands (cont.)

Command	Description
SEARCH:SEARCH<x>:TRIGger:A:BUS:EUSB:RAP:DATA:VALue	Sets the binary Register Access Protocol data value to be used when triggering on a eUSB bus signal.
SEARCH:SEARCH<x>:TRIGger:A:BUS:EUSB:RAP:OPTion	Specifies the eUSB Register Access Protocol search option.
SEARCH:SEARCH<x>:TRIGger:A:BUS:EUSB:SOFFRAMENUMber	Sets the binary frame number to be used when triggering on a eUSB bus signal.
SEARCH:SEARCH<x>:TRIGger:A:BUS:EUSB:SPECIALType	Specifies the eUSB trigger type to be valid on any, err, split, ping, or reserved condition.
SEARCH:SEARCH<x>:TRIGger:A:BUS:EUSB:SPLit:ET:VALue	Specifies the eUSB trigger type endpoint condition.
SEARCH:SEARCH<x>:TRIGger:A:BUS:EUSB:SPLit:HUB:VALue	Sets the binary hub address value to be used when triggering on a eUSB bus signal.
SEARCH:SEARCH<x>:TRIGger:A:BUS:EUSB:SPLit:PORT:VALue	Sets the binary port address value to be used when triggering on a eUSB bus signal.
SEARCH:SEARCH<x>:TRIGger:A:BUS:EUSB:SPLit:SC:VALue	Specifies the eUSB trigger type start/complete condition.
SEARCH:SEARCH<x>:TRIGger:A:BUS:EUSB:SPLit:SE:VALue	Specifies the eUSB trigger type start/complete condition.
SEARCH:SEARCH<x>:TRIGger:A:BUS:EUSB:SYNC:QUALifier	Sets the qualifier to be used when triggering on a eUSB bus signal.
SEARCH:SEARCH<x>:TRIGger:A:BUS:EUSB:SYNCBITS:MAX:SIZE	Sets the number of sync bits, in bits, to be used when triggering on a eUSB bus signal.
SEARCH:SEARCH<x>:TRIGger:A:BUS:EUSB:SYNCBITS:MIN:SIZE	Sets the number of sync bits, in bits, to be used when triggering on a eUSB bus signal.
SEARCH:SEARCH<x>:TRIGger:A:BUS:EUSB:SYNCSEARch	Specifies eUSB Search Sync Bits to be On and Off.
SEARCH:SEARCH<x>:TRIGger:A:BUS:EUSB:TOKENType	Specifies the eUSB trigger type to be valid on any, sof, out, in, or setup condition.
SEARCH:SEARCH<x>:TRIGger:A:BUS:FLEXRAY:CONDition	Sets or queries FlexRay bus search trigger condition.
SEARCH:SEARCH<x>:TRIGger:A:BUS:FLEXRAY:CYCLEcount:VALue	Sets or queries the FlexRay bus search cycle count value.
SEARCH:SEARCH<x>:TRIGger:A:BUS:FLEXRAY:DATA:VALue	Sets or queries the FlexRay bus search cycle count value.
SEARCH:SEARCH<x>:TRIGger:A:BUS:FLEXRAY:CYCLEcount:HIVALue	Sets or queries the FlexRay bus search cycle count value.
SEARCH:SEARCH<x>:TRIGger:A:BUS:FLEXRAY:CYCLEcount:QUALifier	Sets or queries the FlexRay bus search trigger cycle count qualifier.

Table 2-45: Search and Mark commands (cont.)

Command	Description
SEARCH:SEARCH<x>:TRIGger:A:BUS:FLEXRAY:DATA:HIVALue	Sets or queries the FlexRay bus search trigger data value.
SEARCH:SEARCH<x>:TRIGger:A:BUS:FLEXRAY:DATA:OFFSet	Sets or queries the FlexRay bus search trigger data offset.
SEARCH:SEARCH<x>:TRIGger:A:BUS:FLEXRAY:DATA:QUALifier	Sets or queries the FlexRay bus search trigger data qualifier.
SEARCH:SEARCH<x>:TRIGger:A:BUS:FLEXRAY:DATA:SIZE	Sets or queries the FlexRay bus search trigger data size.
SEARCH:SEARCH<x>:TRIGger:A:BUS:FLEXRAY:EOFTYPE	Sets or queries the FlexRay bus search trigger end of file type.
SEARCH:SEARCH<x>:TRIGger:A:BUS:FLEXRAY:ERRTYPE	Sets or queries the FlexRay bus search trigger error type.
SEARCH:SEARCH<x>:TRIGger:A:BUS:FLEXRAY:FRAMEID:HIVALue	Sets or queries the high value when searching on a FlexRay bus frame id field.
SEARCH:SEARCH<x>:TRIGger:A:BUS:FLEXRAY:FRAMEID:QUALifier	Sets the qualifier to be used when searching on a FlexRay bus signal.
SEARCH:SEARCH<x>:TRIGger:A:BUS:FLEXRAY:FRAMEID:VALue	Sets the low value when searching on a FlexRay bus id field.
SEARCH:SEARCH<x>:TRIGger:A:BUS:FLEXRAY:FRAMEType	Sets or queries the FlexRay bus search trigger frame type.
SEARCH:SEARCH<x>:TRIGger:A:BUS:FLEXRAY:HEADER:CRC	Sets or queries the FlexRay bus search trigger header CRC.
SEARCH:SEARCH<x>:TRIGger:A:BUS:FLEXRAY:HEADER:CYCLECount	Sets or queries the FlexRay bus search trigger header cycle count.
SEARCH:SEARCH<x>:TRIGger:A:BUS:FLEXRAY:HEADER:FRAMEID	Sets or queries the FlexRay bus search trigger header frame id.
SEARCH:SEARCH<x>:TRIGger:A:BUS:FLEXRAY:HEADER:INDBits	Sets or queries the FlexRay bus search header Indicator Bits.
SEARCH:SEARCH<x>:TRIGger:A:BUS:FLEXRAY:HEADER:PAYLEnGth	Sets or queries the FlexRay bus search trigger header payload length.
SEARCH:SEARCH<x>:TRIGger:A:BUS:I2C:ADDRess:MODE	Sets or queries the address mode for the specified I2C bus trigger search to determine where to place a mark.
SEARCH:SEARCH<x>:TRIGger:A:BUS:I2C:ADDRess:VALue	Sets or queries the address string when the search condition for the specified search is Address or AddressData, to determine where to place a mark.
SEARCH:SEARCH<x>:TRIGger:A:BUS:I2C:CONDition	Sets or queries the trigger condition for the specified I2C bus trigger search to determine where to place a mark.
SEARCH:SEARCH<x>:TRIGger:A:BUS:I2C:DATA:DIRection	Sets or queries the direction of the data for the I2C bus trigger search to determine where to place a mark.

Table 2-45: Search and Mark commands (cont.)

Command	Description
SEARCH:SEARCH<x>:TRIGger:A:BUS:I2C:DATa:SIZE	Sets or queries the length of the data string in bytes used for the specified I2C bus trigger search to determine where to place a mark.
SEARCH:SEARCH<x>:TRIGger:A:BUS:I2C:DATa:VALue	Sets or queries the data value of the data token for the specified I2C bus trigger search to determine where to place a mark.
SEARCH:SEARCH<x>:TRIGger:A:BUS:I3C:ADDReSS:MODe	Sets or queries the address mode for the specified I3C bus trigger search to determine where to place a search mark.
SEARCH:SEARCH<x>:TRIGger:A:BUS:I3C:ADDReSS:VALue	Sets or queries the I3C address value for which to search, to determine where to place a search mark.
SEARCH:SEARCH<x>:TRIGger:A:BUS:I3C:BCR:VALue	Sets or queries the binary field string used for the I3C search if the trigger condition is BCR.
SEARCH:SEARCH<x>:TRIGger:A:BUS:I3C:BCRType:VALue	Sets or queries the binary field string used for the I3C bus search if the trigger condition is BCRTYPE.
SEARCH:SEARCH<x>:TRIGger:A:BUS:I3C:BPACkets	Sets or queries the I3C Broadcast Packets search to Broadcast or Response.
SEARCH:SEARCH<x>:TRIGger:A:BUS:I3C:BRGTID:VALue	Ssets or queries the binary field string used for the I3C trigger if the trigger condition is SETBRGTGT packet ID.
SEARCH:SEARCH<x>:TRIGger:A:BUS:I3C:CCODe:VALue	Sets or queries the binary field string used for the I3C trigger if the trigger condition is SETBRGTGT packet ID.
SEARCH:SEARCH<x>:TRIGger:A:BUS:I3C:CONDition	Sets or queries the trigger condition for the specified I3C bus trigger search to determine where to place a mark.
SEARCH:SEARCH<x>:TRIGger:A:BUS:I3C:DATa:DIRection	Sets or queries the direction of the data for the I3C bus trigger search to determine where to place a mark.
SEARCH:SEARCH<x>:TRIGger:A:BUS:I3C:DATa:SIZE	Sets or queries the length of the data string in bytes used for the specified I3C bus trigger search to determine where to place a mark.
SEARCH:SEARCH<x>:TRIGger:A:BUS:I3C:DATa:VALue	Sets or queries the data value of the data token for the specified I3C bus trigger search to determine where to place a mark.
SEARCH:SEARCH<x>:TRIGger:A:BUS:I3C:DCR:VALue	Sets or queries the binary field string used for the I3C bus search if the trigger condition is DCR.
SEARCH:SEARCH<x>:TRIGger:A:BUS:I3C:DCRType:VALue	Sets or queries the binary field string used for the I3C bus search if the trigger condition is DCRTYPE.
SEARCH:SEARCH<x>:TRIGger:A:BUS:I3C:DWORd:VALue	Sets or queries the binary field string used for the I3C trigger if the trigger condition is DATAWORDS.
SEARCH:SEARCH<x>:TRIGger:A:BUS:I3C:ERRORTYPE	Sets or queries the error type condition for the specified I3C bus search to determine where to place a mark.
SEARCH:SEARCH<x>:TRIGger:A:BUS:I3C:EVENTBYTe:VALue	Sets or queries the binary field string used for the I3C trigger if the trigger condition is FREQUENCYBYTE.
SEARCH:SEARCH<x>:TRIGger:A:BUS:I3C:FREQBYTe:VALue	Sets or queries the binary field string used for the I3C trigger if the trigger condition is GETSTATUSLSB.

Table 2-45: Search and Mark commands (cont.)

Command	Description
SEARCH:SEARCH<x>:TRIGger:A:BUS:I3C:GSLsb:VALue	Sets or queries the binary field string used for the I3C trigger if the trigger condition is GETSTATUSLSB.
SEARCH:SEARCH<x>:TRIGger:A:BUS:I3C:GMSb:VALue	Sets or queries the binary field string used for the I3C trigger if the trigger condition is GETSTATUSMSB.
SEARCH:SEARCH<x>:TRIGger:A:BUS:I3C:ID:VALue	Sets or queries the binary field string used for the I3C search if the trigger condition is ENTDAAs packet ID.
SEARCH:SEARCH<x>:TRIGger:A:BUS:I3C:INACCbYTe:VALue	Sets or queries the binary field string used for the I3C search if the trigger condition is INACCURACYBYTE.
SEARCH:SEARCH<x>:TRIGger:A:BUS:I3C:MAXREAD:VALue	Sets or queries the binary field string used for the I3C trigger if the trigger condition is MAXREAD.
SEARCH:SEARCH<x>:TRIGger:A:BUS:I3C:MAXRTURN:VALue	Sets or queries the binary field string used for the I3C trigger if the trigger condition is MAXREADTURN.
SEARCH:SEARCH<x>:TRIGger:A:BUS:I3C:MAXWRITe:VALue	Sets or queries the binary field string used for the I3C trigger if the trigger condition is MAXWRITE.
SEARCH:SEARCH<x>:TRIGger:A:BUS:I3C:PACKets	Sets or queries the I3C Direct Packets to Direct or Response.
SEARCH:SEARCH<x>:TRIGger:A:BUS:I3C:SADDRess:VALue	Sets or queries the binary field string used for the I3C bus search if the trigger condition is SLAVEADDRESS.
SEARCH:SEARCH<x>:TRIGger:A:BUS:I3C:SDR:BROADCASTPacket	Sets or queries the SDR broadcast packets for the specified I3C bus trigger search to determine where to place a mark.
SEARCH:SEARCH<x>:TRIGger:A:BUS:I3C:SDR:DIRECTPacket	Sets or queries the SDR direct packet types for the specified I3C bus trigger search to determine where to place a mark.
SEARCH:SEARCH<x>:TRIGger:A:BUS:I3C:STABeYTe:VALue	Sets or queries the binary field string used for the I3C trigger if the trigger condition is STATEBYTE.
SEARCH:SEARCH<x>:TRIGger:A:BUS:I3C:STATic:ADDRess	Sets or queries the binary field string used for the I3C search if the trigger condition is STATICADDRESS.
SEARCH:SEARCH<x>:TRIGger:A:BUS:I3C:SUPPORTbYTe:VALue	Sets or queries the binary field string used for the I3C trigger if the trigger condition is SUPPORTEDBYTE.
SEARCH:SEARCH<x>:TRIGger:A:BUS:I3C:TESTMODE:VALue	Sets or queries the binary field string used for the I3C trigger if the trigger condition is TESTMODE.
SEARCH:SEARCH<x>:TRIGger:A:BUS:LIN:DATa:HIVALue	Specifies the high data value to be used in a LIN search.
SEARCH:SEARCH<x>:TRIGger:A:BUS:LIN:DATa:QUALifier	Sets or queries the LIN bus search trigger data qualifier.
SEARCH:SEARCH<x>:TRIGger:A:BUS:LIN:DATa:SIZE	Sets or queries the LIN bus search trigger data size.
SEARCH:SEARCH<x>:TRIGger:A:BUS:LIN:DATa:VALue	Sets or queries the LIN bus search trigger data value.

Table 2-45: Search and Mark commands (cont.)

Command	Description
SEARCH:SEARCH<x>:TRIGger:A:BUS:LIN:ERRType	Sets or queries the LIN bus search trigger error type.
SEARCH:SEARCH<x>:TRIGger:A:BUS:LIN:IDentifier:VALue	Sets or queries the LIN bus search trigger identifier value.
SEARCH:SEARCH<x>:TRIGger:A:BUS:MANChester:CONDition	Specifies a field or condition for an Manchester bus to search on.
SEARCH:SEARCH<x>:TRIGger:A:BUS:MANChester:DATA:SIZE	Specifies the number of bits per word for the specified Manchester bus.
SEARCH:SEARCH<x>:TRIGger:A:BUS:MANChester:DATA:VALue	Specifies the binary string used for Manchester triggering if the trigger condition is data when searching on a Manchester signal.
SEARCH:SEARCH<x>:TRIGger:A:BUS:MANChester:ERRor:TYPE	Sets or queries the error to be used when searching on a Manchester signal.
SEARCH:SEARCH<x>:TRIGger:A:BUS:MANChester:HEADER:VALue	Specifies the binary string used for Manchester triggering if the trigger condition is header when searching on a Manchester signal.
SEARCH:SEARCH<x>:TRIGger:A:BUS:MANChester:packetOffData:VALue	Specifies the binary string used for Manchester triggering if the trigger condition is DATA.
SEARCH:SEARCH<x>:TRIGger:A:BUS:MANChester:SYNC:VALue	Specifies the binary string used for Manchester triggering if the trigger condition is Sync when searching on a Manchester signal.
SEARCH:SEARCH<x>:TRIGger:A:BUS:MANChester:TRAILER:VALue	Specifies the binary string used for Manchester triggering if the trigger condition is Trailer when searching on a Manchester signal.
SEARCH:SEARCH<x>:TRIGger:A:BUS:MDIO:ADDRESS:VALue	Specifies the binary address string used for MDIO triggering if the trigger condition is address.
SEARCH:SEARCH<x>:TRIGger:A:BUS:MDIO:CONDition	Sets or queries the trigger condition for MDIO bus.
SEARCH:SEARCH<x>:TRIGger:A:BUS:MDIO:DATA:VALue	Specifies the binary data string used for MDIO triggering if the trigger condition is DATA.
SEARCH:SEARCH<x>:TRIGger:A:BUS:MDIO:DEVicetype:VALue	Specifies the binary device type string used for MDIO triggering if the trigger condition is Device type.
SEARCH:SEARCH<x>:TRIGger:A:BUS:MDIO:ERRType	Sets or queries the error type to be used when triggering on MDIO data. This applies when the MDIO bus trigger condition is set to ERROR.
SEARCH:SEARCH<x>:TRIGger:A:BUS:MDIO:OPCode:VALue	Specifies the binary op-code string used for MDIO triggering if the trigger condition is op-code .
SEARCH:SEARCH<x>:TRIGger:A:BUS:MDIO:PHYSicaladdress:VALue	Specifies the binary physical address string used for MDIO triggering if the trigger condition is physical address.
SEARCH:SEARCH<x>:TRIGger:A:BUS:MDIO:REGisteraddress:VALue	Specifies the binary register address string used for MDIO triggering if the trigger condition is register address.
SEARCH:SEARCH<x>:TRIGger:A:BUS:MIL1553B:CONDition	Sets or queries the field or condition for a MIL-STD-1553 bus to search on.

Table 2-45: Search and Mark commands (cont.)

Command	Description
SEARCH:SEARCH<x>:TRIGger:A:BUS:MIL1553B:ERRTYPe	Sets or queries the type of error condition for a MIL-STD-1553 bus to search on.
SEARCH:SEARCH<x>:TRIGger:A:BUS:MIL1553B:COMMAND:TRBit	Sets or queries the value of the command word Transmit / Receive bit for a MIL-STD-1553 bus to search on.
SEARCH:SEARCH<x>:TRIGger:A:BUS:MIL1553B:COMMAND:PARity	Sets or queries the value of the command word parity bit for a MIL-STD-1553 bus to search on.
SEARCH:SEARCH<x>:TRIGger:A:BUS:MIL1553B:COMMAND:COUNT	Sets or queries the value of the command word "word count" field for a MIL-STD-1553 bus to search on.
SEARCH:SEARCH<x>:TRIGger:A:BUS:MIL1553B:COMMAND:SUBADdress	Sets or queries the value of the command word subaddress field for a MIL-STD-1553 bus to search on.
SEARCH:SEARCH<x>:TRIGger:A:BUS:MIL1553B:COMMAND:ADDRess:QUALifier	Sets or queries the qualifier to be used when searching on command word addresses for a MIL-STD-1553 bus.
SEARCH:SEARCH<x>:TRIGger:A:BUS:MIL1553B:COMMAND:ADDRess:VALue	Sets or queries the low value when searching on command word addresses for a MIL-STD-1553 bus.
SEARCH:SEARCH<x>:TRIGger:A:BUS:MIL1553B:COMMAND:ADDRess:HIVALue	Sets or queries the high value when searching on command word addresses for a MIL-STD-1553 bus.
SEARCH:SEARCH<x>:TRIGger:A:BUS:MIL1553B:DATA:PARity	Sets or queries the value of the command word parity bit for a MIL-STD-1553 bus to search on.
SEARCH:SEARCH<x>:TRIGger:A:BUS:MIL1553B:DATA:VALue	Sets or queries the value when searching on data words for a MIL-STD-1553 bus.
SEARCH:SEARCH<x>:TRIGger:A:BUS:MIL1553B:STATus:PARity	Sets or queries the value of the status word parity bit for a MIL-STD-1553 bus to search on.
SEARCH:SEARCH<x>:TRIGger:A:BUS:MIL1553B:STATus:ADDRess:QUALifier	Sets or queries the qualifier to be used when searching on status word addresses for a MIL-STD-1553 bus.
SEARCH:SEARCH<x>:TRIGger:A:BUS:MIL1553B:STATus:ADDRess:VALue	Sets or queries the low value when searching on status word addresses for a MIL-STD-1553 bus.
SEARCH:SEARCH<x>:TRIGger:A:BUS:MIL1553B:STATus:ADDRess:HIVALue	Sets or queries the high value when searching on status word addresses for a MIL-STD-1553 bus.
SEARCH:SEARCH<x>:TRIGger:A:BUS:MIL1553B:STATus:BIT:ME	Sets or queries the value of the message error bit (ME bit, bit 9) in a status word for a MIL-STD-1553 bus to search on.
SEARCH:SEARCH<x>:TRIGger:A:BUS:MIL1553B:STATus:BIT:INSTR	Sets or queries the value of the instrumentation bit (INSTR bit, bit 10) in a status word for a MIL-STD-1553 bus to search on.
SEARCH:SEARCH<x>:TRIGger:A:BUS:MIL1553B:STATus:BIT:SRQ	Sets or queries the value of the status word service request bit (SRQ bit, bit 11) in a status word for a MIL-STD-1553 bus to search on.
SEARCH:SEARCH<x>:TRIGger:A:BUS:MIL1553B:STATus:BIT:BCR	Sets or queries the value of the broadcast command received bit (BCR bit, bit 15) in a status word for a MIL-STD-1553 bus to search on.
SEARCH:SEARCH<x>:TRIGger:A:BUS:MIL1553B:STATus:BIT:BUSY	Sets or queries the value of the busy bit (BUSY bit, bit 16) in a status word for a MIL-STD-1553 bus to search on.

Table 2-45: Search and Mark commands (cont.)

Command	Description
SEARCH:SEARCH<x>:TRIGger:A:BUS:MIL1553B:STATus:BIT:SUBSF	Ssets or queries the value of the subsystem flag bit (SUBSF bit, bit 17) in a status word for a MIL-STD-1553 bus to search on.
SEARCH:SEARCH<x>:TRIGger:A:BUS:MIL1553B:STATus:BIT:DBCA	Sets or queries the value of the dynamic bus control acceptance bit (DBCA bit, bit 18) in a status word for a MIL-STD-1553 bus to search on.
SEARCH:SEARCH<x>:TRIGger:A:BUS:MIL1553B:STATus:BIT:TF	Sets or queries the value of the terminal flag bit (TF bit, bit 19) in a status word for a MIL-STD-1553 bus to search on.
SEARCH:SEARCH<x>:TRIGger:A:BUS:NFC:COMManD:CODE	Sets or queries the trigger on command code for a NFC bus.
SEARCH:SEARCH<x>:TRIGger:A:BUS:NFC:CONDition	Sets or queries the trigger condition for a NFC bus.
SEARCH:SEARCH<x>:TRIGger:A:BUS:NFC:DATa:SIZE	Specifies the length of the data string in bytes to be used for an NFC trigger if the trigger condition is DATA.
SEARCH:SEARCH<x>:TRIGger:A:BUS:NFC:DATa:VALue	Specifies the binary data string used for NFC triggering if the trigger condition is DATA.
SEARCH:SEARCH<x>:TRIGger:A:BUS:NFC:ERRor:TYPE	Sets or queries the error type for NFC bus.
SEARCH:SEARCH<x>:TRIGger:A:BUS:NFC:PAYLOADBITS	Sets or queries the number of payload bits for the specified bus.
SEARCH:SEARCH<x>:TRIGger:A:BUS:NFC:RESPonse:CODE	Sets or queries the trigger on response code for a NFC bus.
SEARCH:SEARCH<x>:TRIGger:A:BUS:NFC:TYPE	Sets or queries the trigger command/response type for a NFC bus.
SEARCH:SEARCH<x>:TRIGger:A:BUS:NFC:UID:VALue	Specifies the binary data string used for NFC triggering if the trigger condition is UID.
SEARCH:SEARCH<x>:TRIGger:A:BUS:NRZ:CONDition	Specifies a field or condition for an NRZ bus to search on.
SEARCH:SEARCH<x>:TRIGger:A:BUS:NRZ:DATa:SIZE	Specifies the length of the data string, in bytes, to use when searching on the NRZ signal.
SEARCH:SEARCH<x>:TRIGger:A:BUS:NRZ:DATa:VALue	Sets or queries the binary data value to be used when searching on a NRZ signal.
SEARCH:SEARCH<x>:TRIGger:A:BUS:ONEWIRE:COMManD:VALue	This command specifies the binary data string used for ONEWIRE triggering if the trigger condition is COMMAND.
SEARCH:SEARCH<x>:TRIGger:A:BUS:ONEWIRE:CONDition	This command sets or queries the trigger condition for a ONEWIRE bus.
SEARCH:SEARCH<x>:TRIGger:A:BUS:ONEWIRE:DATa:SIZE	This command specifies the length of the data string in bytes to be used for ONEWIRE triggering if the trigger condition is DATA.
SEARCH:SEARCH<x>:TRIGger:A:BUS:ONEWIRE:DATa:VALue	This command specifies the binary data string used for ONEWIRE triggering if the trigger condition is DATA.

Table 2-45: Search and Mark commands (cont.)

Command	Description
SEARCH:SEARCH<x>:TRIGger:A:BUS:ONEWIRE:MATCHROM:FAMILYCODE	This command sets or queries the family code for Match ROM in ONEWIRE bus.
SEARCH:SEARCH<x>:TRIGger:A:BUS:ONEWIRE:MATCHROM:SERIALNUMBER	This command sets or queries the serial number for Match ROM in ONEWIRE bus.
SEARCH:SEARCH<x>:TRIGger:A:BUS:ONEWIRE:OVERDRIVE:FAMILYCODE	This command sets or queries the Family Code for Overdrive match ROM in ONEWIRE bus.
SEARCH:SEARCH<x>:TRIGger:A:BUS:ONEWIRE:OVERDRIVE:SERIALNUMBER	This command sets or queries the serial number for Overdrive match ROM in ONEWIRE bus.
SEARCH:SEARCH<x>:TRIGger:A:BUS:ONEWIRE:READROM:FAMILYCODE	This command sets or queries the family code for Read ROM in ONEWIRE bus.
SEARCH:SEARCH<x>:TRIGger:A:BUS:ONEWIRE:READROM:SERIALNUMBER	This command sets or queries the serial number for Read ROM in ONEWIRE bus.
SEARCH:SEARCH<x>:TRIGger:A:BUS:ONEWIRE:SEARCHROM:ROMCODE	This command sets or queries the ROM code for Search ROM in ONEWIRE bus.
SEARCH:SEARCH<x>:TRIGger:A:BUS:PARAllel:DATa:VALue	Sets or queries the data value for a parallel bus trigger search to determine where to place a mark.
SEARCH:SEARCH<x>:TRIGger:A:BUS:PSIFIVE:BLOCKDATA:VALue	Sets or queries the binary block data string used for PSI5 triggering if the trigger condition is block ID.
SEARCH:SEARCH<x>:TRIGger:A:BUS:PSIFIVE:CONDition	Sets or queries the trigger condition for an PSI5 bus.
SEARCH:SEARCH<x>:TRIGger:A:BUS:PSIFIVE:DATa:ECU:SENsOr:VALue	Sets or queries the binary data string used for PSI5 triggering if the trigger condition is Data in ECU to Sensor communication mode.
SEARCH:SEARCH<x>:TRIGger:A:BUS:PSIFIVE:DATa:REGion:A:VALue	Sets or queries the binary data string used for PSI5 triggering if the trigger condition is data region A.
SEARCH:SEARCH<x>:TRIGger:A:BUS:PSIFIVE:DATa:REGion:B:VALue	Sets or queries the length of the data string in bytes to be used for an PSI5 trigger if the trigger condition is data region B.
SEARCH:SEARCH<x>:TRIGger:A:BUS:PSIFIVE:DATABITs	Sets or queries the binary register address string used for PSI5 triggering if the trigger condition is data in ECU to Sensor communication mode.
SEARCH:SEARCH<x>:TRIGger:A:BUS:PSIFIVE:ERRORTYPE	Sets or queries the error type for an PSI5 bus.
SEARCH:SEARCH<x>:TRIGger:A:BUS:PSIFIVE:FUNCTIONCODETYPE	Sets or queries the binary data string used for PSI5 triggering if the trigger condition is a Function Code.
SEARCH:SEARCH<x>:TRIGger:A:BUS:PSIFIVE:REGister:ADDRess:VALue	Sets or queries the binary register address string used for PSI5 triggering if the trigger condition is Register Address.
SEARCH:SEARCH<x>:TRIGger:A:BUS:PSIFIVE:REGISTERADDRess	Sets or queries the register address for PSI5 bus.
SEARCH:SEARCH<x>:TRIGger:A:BUS:PSIFIVE:SENsOr:ADDRess:VALue	Sets or queries the binary sensor address string used for PSI5 triggering if the trigger condition is Sensor Address.

Table 2-45: Search and Mark commands (cont.)

Command	Description
SEARCH:SEARCH<x>:TRIGger:A:BUS:PSIFive:SENSORSTATus:TYPe	Sets or queries the sensor status for PSI5 bus.
SEARCH:SEARCH<x>:TRIGger:A:BUS:PSIFive:STATus:VALue	Sets or queries the binary status string used for PSI5 triggering if the trigger condition is status.
SEARCH:SEARCH<x>:TRIGger:A:BUS:RS232C:DATA:VALue	Sets or queries the data string value for the specified RS232c bus trigger search to determine where to place a mark.
SEARCH:SEARCH<x>:TRIGger:A:BUS:RS232C:CONDition	Sets or queries the condition for an RS232C bus search to determine where to place a mark.
SEARCH:SEARCH<x>:TRIGger:A:BUS:RS232C:DATA:SIZE	Sets or queries the length of the data string in bytes to be used for an RS232 bus search to determine where to place a mark when the search condition is Data.
SEARCH:SEARCH<x>:TRIGger:A:BUS:S8B10B:CONDition	Sets or queries the type of data search for an 8B10b bus.
SEARCH:SEARCH<x>:TRIGger:A:BUS:S8B10B:DISParity	Sets or queries the disparity to be used when searching on a 8B10b signal.
SEARCH:SEARCH<x>:TRIGger:A:BUS:S8B10B:ERRor	Sets or queries the error type to be used when searching on a 8B10b signal.
SEARCH:SEARCH<x>:TRIGger:A:BUS:S8B10B:SYMBOL:CSYMLue	Sets or queries the control symbol value to be used when searching on 8b10b signal.
SEARCH:SEARCH<x>:TRIGger:A:BUS:S8B10B:SYMBOL:EBITVALue	Specifies the 8 bit value to be used when searching on an 8b10b signal.
SEARCH:SEARCH<x>:TRIGger:A:BUS:S8B10B:SYMBOL:TBITVALue	Specifies the 10 bit value to be used when searching on an 8b10b signal.
SEARCH:SEARCH<x>:TRIGger:A:BUS:S8B10B:SYMBOL:MODE	Sets or queries the mode of data search to be used when searching on 8b10b signal.
SEARCH:SEARCH<x>:TRIGger:A:BUS:S8B10B:SYMBOL:TBITRDNeg	Specifies the 10 bit RD positive value to be used when searching on an 8b10b signal
SEARCH:SEARCH<x>:TRIGger:A:BUS:S8B10B:SYMBOL:TBITRDPos	Specifies the 10 bit RD negative value to be used when searching on an 8b10b signal
SEARCH:SEARCH<x>:TRIGger:A:BUS:S8B10B:SYMBOL:TYPe	Sets or queries the type of symbol when searching on 8b10b signal.
SEARCH:SEARCH<x>:TRIGger:A:BUS:SDLC:ADDRESS:TYPe	Sets or queries the Address in SDLC bus.
SEARCH:SEARCH<x>:TRIGger:A:BUS:SDLC:CONDition	Sets or queries the trigger condition for a SDLC bus.
SEARCH:SEARCH<x>:TRIGger:A:BUS:SDLC:DATA:SIZE	Specifies the length of the data string in bytes to be used for SDLC triggering if the trigger condition is DATA.
SEARCH:SEARCH<x>:TRIGger:A:BUS:SDLC:DATA:VALue	Specifies the binary data string used for SDLC triggering if the trigger condition is DATA.

Table 2-45: Search and Mark commands (cont.)

Command	Description
SEARCH:SEARCH<x>:TRIGger:A:BUS:SDLC:ERROR:TYPe	Sets or queries the Error Type in SDLC bus.
SEARCH:SEARCH<x>:TRIGger:A:BUS:SDLC:FRAMe:TYPe	Sets or queries the Frame Type in SDLC bus.
SEARCH:SEARCH<x>:TRIGger:A:BUS:SDLC:STADdress:VALue	Specifies the binary Station Address string used for SDLC triggering if the trigger condition is Address.
SEARCH:SEARCH<x>:TRIGger:A:BUS:SDLC:SUPervisory:FRAMETYPe	Sets or queries the Supervisory Frame Type in SDLC bus.
SEARCH:SEARCH<x>:TRIGger:A:BUS:SDLC:UNNNumbered:FRAMETYPe	Sets or queries the Unnumbered Frame Type in SDLC bus.
SEARCH:SEARCH<x>:TRIGger:A:BUS:SENT:CONDition	Sets or queries the search condition for a SENT bus.
SEARCH:SEARCH<x>:TRIGger:A:BUS:SENT:ERRType	Sets or queries the error type to be used when searching on SENT data.
SEARCH:SEARCH<x>:TRIGger:A:BUS:SENT:ERRType:CRC	Sets or queries the CRC error type to be used when searching on SENT data.
SEARCH:SEARCH<x>:TRIGger:A:BUS:SENT:FAST:CHAN1A:HIVALue	Sets or queries the high binary fast channel 1 value to use when searching on a SENT bus signal.
SEARCH:SEARCH<x>:TRIGger:A:BUS:SENT:FAST:CHAN1A:QUALifier	Sets or queries the qualifier to be used when searching on SENT fast packet bus data for device channel 1.
SEARCH:SEARCH<x>:TRIGger:A:BUS:SENT:FAST:CHAN1A:VALue	Sets or queries the binary fast channel 1 value to be used when searching on a SENT bus signal.
SEARCH:SEARCH<x>:TRIGger:A:BUS:SENT:FAST:CHAN2B:HIVALue	Sets or queries the high binary fast channel 2 value to use when searching on a SENT bus signal.
SEARCH:SEARCH<x>:TRIGger:A:BUS:SENT:FAST:CHAN2B:QUALifier	Sets or queries the qualifier to be used when searching on SENT fast packet bus data for device channel 2.
SEARCH:SEARCH<x>:TRIGger:A:BUS:SENT:FAST:CHAN2B:VALue	Sets or queries the binary fast channel 2 value to be used when searching on a SENT bus signal.
SEARCH:SEARCH<x>:TRIGger:A:BUS:SENT:FAST:COUNTer:HIVALue	Sets or queries the high binary fast message counter value to use when searching on a SENT bus signal.
SEARCH:SEARCH<x>:TRIGger:A:BUS:SENT:FAST:COUNTer:QUALifier	Sets or queries the qualifier to be used when searching on SENT fast packet bus data for the secure format counter.
SEARCH:SEARCH<x>:TRIGger:A:BUS:SENT:FAST:COUNTer:VALue	Sets or queries the binary fast message counter value to be used when searching on a SENT bus signal.
SEARCH:SEARCH<x>:TRIGger:A:BUS:SENT:FAST:INVERTNIBble:VALue	Sets or queries the binary fast message inverted nibble value to be used when searching on a SENT bus signal.
SEARCH:SEARCH<x>:TRIGger:A:BUS:SENT:FAST:STATus:VALue	Sets or queries the binary status value to be used when searching on a SENT bus signal.

Table 2-45: Search and Mark commands (cont.)

Command	Description
SEARCH:SEARCH<x>:TRIGger:A:BUS:SENT:PAUSE:QUALifier	Sets or queries the qualifier to be used when searching on SENT pause pulses.
SEARCH:SEARCH<x>:TRIGger:A:BUS:SENT:PAUSE:TICKs:HIVALue	Sets or queries the maximum number of pause clock ticks to be used when searching on a SENT bus signal.
SEARCH:SEARCH<x>:TRIGger:A:BUS:SENT:PAUSE:TICKs:VALue	Sets or queries the minimum number of pause clock ticks to be used when searching on a SENT bus signal.
SEARCH:SEARCH<x>:TRIGger:A:BUS:SENT:SLOW:DATA:HIVALue	Sets or queries the high binary Slow channel data value to use when searching on SENT Slow packet bus data.
SEARCH:SEARCH<x>:TRIGger:A:BUS:SENT:SLOW:DATA:QUALifier	Sets or queries the qualifier to be used when searching on SENT Slow packet bus data.
SEARCH:SEARCH<x>:TRIGger:A:BUS:SENT:SLOW:DATA:VALue	Sets or queries the binary slow channel data value to be used when searching on SENT Slow packet bus data.
SEARCH:SEARCH<x>:TRIGger:A:BUS:SENT:SLOW:IDentifier:VALue	Sets or queries the binary Slow identifier value to be used when searching on SENT Slow packet bus data.
SEARCH:SEARCH<x>:TRIGger:A:BUS:SMBUS:ADDRess:VALue	Sets or queries the binary physical address string used for SMBUS triggering if the trigger condition is address.
SEARCH:SEARCH<x>:TRIGger:A:BUS:SMBUS:COMMand:VALue	Sets or queries the binary command code string used for SMBUS triggering if the trigger condition is command code.
SEARCH:SEARCH<x>:TRIGger:A:BUS:SMBUS:CONDition	Sets or queries the trigger condition for a SMBUS bus.
SEARCH:SEARCH<x>:TRIGger:A:BUS:SMBUS:DATA:SIZE	Sets or queries the length of the data string in bytes to be used for an SMBus trigger if the trigger condition is DATA.
SEARCH:SEARCH<x>:TRIGger:A:BUS:SMBUS:DATA:VALue	Sets or queries the binary data string used for SMBus triggering if the trigger condition is DATA.
SEARCH:SEARCH<x>:TRIGger:A:BUS:SMBUS:DEVICEADDR:VALue	Sets or queries the binary physical address string used for SMBUS triggering if the trigger condition is Device address.
SEARCH:SEARCH<x>:TRIGger:A:BUS:SMBUS:ERROr:TYPE	Sets or queries the Error type for a SMBus.
SEARCH:SEARCH<x>:TRIGger:A:BUS:SMBUS:FIELDBYTE	Sets or queries the field byte for a SMBUS bus if trigger condition is UDID data.
SEARCH:SEARCH<x>:TRIGger:A:BUS:SMBUS:UDIDDATA:VALue	Sets or queries the binary data string used for SMBus triggering if the trigger condition is UDID DATA.
SEARCH:SEARCH<x>:TRIGger:A:BUS:SOURce	Sets or queries the bus source for the specified bus trigger search to determine where to place a mark.
SEARCH:SEARCH<x>:TRIGger:A:BUS:SPACEWIRE:CONDition	S
SEARCH:SEARCH<x>:TRIGger:A:BUS:SPACEWIRE:CONTROLCHARTYPE	Sets or queries the control character type to use when searching on a SpaceWire bus signal.

Table 2-45: Search and Mark commands (cont.)

Command	Description
SEARCH:SEARCH<x>:TRIGger:A:BUS:SPACEWIRe:CONTROLCODETYPE	Sets or queries the control code type to use when searching on a SpaceWire bus signal.
SEARCH:SEARCH<x>:TRIGger:A:BUS:SPACEWIRe:DATA:SIZE	Sets or queries the length of the data string, in bytes, to use when searching on a SpaceWire bus signal.
SEARCH:SEARCH<x>:TRIGger:A:BUS:SPACEWIRe:DATA:VALue	Sets or queries the binary data value to be used when searching on an SpaceWire bus signal.
SEARCH:SEARCH<x>:TRIGger:A:BUS:SPACEWIRe:ERRORTYPE	Sets or queries the error type for which to search on the SpaceWire bus signal.
SEARCH:SEARCH<x>:TRIGger:A:BUS:SPACEWIRe:TIMECode:VALue	Sets or queries the binary data string used for SpaceWire search if the search condition is Time Code.
SEARCH:SEARCH<x>:TRIGger:A:BUS:SPI:CONDition	Sets or queries the trigger condition for the specified SPI bus trigger search to determine where to place a mark.
SEARCH:SEARCH<x>:TRIGger:A:BUS:SPI:DATA:SIZE	Sets or queries the length of the data string in bytes used for the specified SPI bus trigger search to determine where to place a mark.
SEARCH:SEARCH<x>:TRIGger:A:BUS:SPI:DATA:VALue	Sets or queries the data value of the data token for the specified SPI bus trigger search to determine where to place a mark.
SEARCH:SEARCH<x>:TRIGger:A:BUS:SPI:SOURCEType	Sets or queries trigger Source for SPI bus.
SEARCH:SEARCH<x>:TRIGger:A:BUS:SPMI:CONDition	This command sets or queries the search condition for an SPMI bus.
SEARCH:SEARCH<x>:TRIGger:A:BUS:SPMI:DATA:VALue	This command specifies the binary data string used for SPMI when the search condition is MASTERREAd, MASTERWRItE, REGREAd, REGWRItE, EXTREGREAd, EXTREGWRItE, LONGEXTREGREAd, LONGEXTREGWRItE, or REG0WRItE.
SEARCH:SEARCH<x>:TRIGger:A:BUS:SPMI:MASTERADDRess:VALue	This command sets or queries the binary data string that identifies the master address used in SPMI search.
SEARCH:SEARCH<x>:TRIGger:A:BUS:SPMI:NORESPonse	This command sets or queries whether or not to search for No Response frames.
SEARCH:SEARCH<x>:TRIGger:A:BUS:SPMI:REGISTERADDRess:VALue	This command sets or queries the binary data string that identifies the register address used in SPMI triggering.
SEARCH:SEARCH<x>:TRIGger:A:BUS:SPMI:SLAVEADDRess:VALue	This command sets or queries the binary data string that identifies the slave address used in SPMI.
SEARCH:SEARCH<x>:TRIGger:A:BUS:SVID:COMManD:RESPonse	Sets or queries the command response of respective command type for SVID bus.
SEARCH:SEARCH<x>:TRIGger:A:BUS:SVID:COMManD:TYPE	Sets or queries the command type for SVID bus.
SEARCH:SEARCH<x>:TRIGger:A:BUS:SVID:CONDition	Sets or queries the trigger condition for SVID bus.
SEARCH:SEARCH<x>:TRIGger:A:BUS:SVID:ERRor:TYPE	Sets or queries the error type for SVID bus.

Table 2-45: Search and Mark commands (cont.)

Command	Description
SEARCH:SEARCH<x>:TRIGger:A:BUS:SVID:PAYLoad:TYPE	Sets or queries the payload type for SVID bus.
SEARCH:SEARCH<x>:TRIGger:A:BUS:SVID:PAYLoad:VALue	Sets or queries the payload value to be used when search is on SVID bus.
SEARCH:SEARCH<x>:TRIGger:A:BUS:SVID:SLAVE:ADDRESS	Sets or queries the slave address to be used when search is on SVID bus.
SEARCH:SEARCH<x>:TRIGger:A:BUS:USB:ADDRESS:HIVALue	Sets or queries the address value for normal token to be used with In Range and Out of Range qualifiers for the specified USB bus trigger search to determine where to place a mark.
SEARCH:SEARCH<x>:TRIGger:A:BUS:USB:ADDRESS:VALue	Sets or queries the address value for normal token for the specified USB bus trigger search to determine where to place a mark.
SEARCH:SEARCH<x>:TRIGger:A:BUS:USB:CHARacter	Sets or queries the trigger condition for an USB bus on specific control symbol.
SEARCH:SEARCH<x>:TRIGger:A:BUS:USB:COMpliance	Sets or queries the trigger condition for an USB bus on compliance pattern sequences.
SEARCH:SEARCH<x>:TRIGger:A:BUS:USB:CONDition	Sets or queries the search condition for the specified USB bus trigger search to determine where to place a mark.
SEARCH:SEARCH<x>:TRIGger:A:BUS:USB:CRCTYPE	Sets or queries the USB3 CRC trigger type to be valid on a CRC5, CRC16 or CRC32.
SEARCH:SEARCH<x>:TRIGger:A:BUS:USB:CUSTom:CHARacters	Sets or queries the pattern of characters in the custom pattern.
SEARCH:SEARCH<x>:TRIGger:A:BUS:USB:CUSTom:HEXVALue	Sets or queries the pattern of Hex descrambled data values in the custom pattern.
SEARCH:SEARCH<x>:TRIGger:A:BUS:USB:CUSTom:NUMSYMBOLS	Sets or queries the number of symbols in the custom pattern.
SEARCH:SEARCH<x>:TRIGger:A:BUS:USB:DATA:HIVALue	Sets or queries the data value for data token used with In Range and Out of Range qualifiers for the specified USB bus trigger search to determine where to place a mark.
SEARCH:SEARCH<x>:TRIGger:A:BUS:USB:DATA:OFFSet	Sets or queries data offset for the specified USB bus trigger search to determine where to place a mark.
SEARCH:SEARCH<x>:TRIGger:A:BUS:USB:DATA:SIZE	Sets or queries the length of the data string in bytes for the specified USB bus trigger search to determine where to place a mark.
SEARCH:SEARCH<x>:TRIGger:A:BUS:USB:DATA:TYPE	Sets or queries the data packet type for the specified USB bus trigger search to determine where to place a mark.
SEARCH:SEARCH<x>:TRIGger:A:BUS:USB:DATA:VALue	Sets or queries the data value for data token for the specified bus trigger search to determine where to place a mark.
SEARCH:SEARCH<x>:TRIGger:A:BUS:USB:ENDPoint:VALue	Sets or queries the endpoint value for normal token for the specified USB bus trigger search to determine where to place a mark.
SEARCH:SEARCH<x>:TRIGger:A:BUS:USB:ERR8B10B:TYPE	Sets or queries the USB3 8b10b encoding error trigger type to be valid on a character or disparity.

Table 2-45: Search and Mark commands (cont.)

Command	Description
SEARCH:SEARCH<x>:TRIGger:A:BUS:USB:ERRType	Sets or queries the error type for the specified USB bus trigger search to determine where to place a mark.
SEARCH:SEARCH<x>:TRIGger:A:BUS:USB:HANDSHAKType	Sets or queries the handshake type for the specified USB bus trigger search to determine where to place a mark.
SEARCH:SEARCH<x>:TRIGger:A:BUS:USB:KEYPADType	Sets or queries whether the keypad is toggled to KCode or Data.
SEARCH:SEARCH<x>:TRIGger:A:BUS:USB:ORDERed:SET	Sets or queries the USB trigger type to be valid on ordered set condition.
SEARCH:SEARCH<x>:TRIGger:A:BUS:USB:PACKet:TYPEOFLMP	Sets or queries the trigger condition for an USB bus on specific packet for LMP.
SEARCH:SEARCH<x>:TRIGger:A:BUS:USB:PACKet:TYPEOFTP	Sets or queries the trigger condition for an USB bus on specific packet for TP.
SEARCH:SEARCH<x>:TRIGger:A:BUS:USB:PACKETType	Sets or queries the trigger condition for an USB bus on specific packet.
SEARCH:SEARCH<x>:TRIGger:A:BUS:USB:SOFFRAMENUMber	Sets or queries the frame number string to use for the Start of Frame for the specified USB bus trigger search to determine where to place a mark.
SEARCH:SEARCH<x>:TRIGger:A:BUS:USB:SPECIALType	Sets or queries the PID value for the USB bus trigger search to determine where to place a mark.
SEARCH:SEARCH<x>:TRIGger:A:BUS:USB:SPLIT:ET:VALue	Sets or queries the Endpoint Type value for the specified USB bus trigger split token field search to determine where to place a mark.
SEARCH:SEARCH<x>:TRIGger:A:BUS:USB:SPLIT:HUB:VALue	Sets or queries the hub address of the specified USB bus trigger on split token field search to determine where to place a mark.
SEARCH:SEARCH<x>:TRIGger:A:BUS:USB:SPLIT:PORT:VALue	Sets or queries the port address for the specified USB bus trigger on split token field search to determine where to place a mark.
SEARCH:SEARCH<x>:TRIGger:A:BUS:USB:SPLIT:SC:VALue	Sets or queries the Start/Complete value for the specified USB bus trigger on split token field search to determine where to place a mark.
SEARCH:SEARCH<x>:TRIGger:A:BUS:USB:SPLIT:SE:VALue	Sets or queries the Start/End value for the specified USB bus trigger on split token field search to determine where to place a mark.
SEARCH:SEARCH<x>:TRIGger:A:BUS:USB:TOKENType	Sets or queries the token type when the specified USB bus trigger search to determine where to place a mark.
SEARCH:SEARCH<x>:TRIGger:A:EDGE:SLOpe	Sets or queries the slope for an edge trigger search to determine where to place a mark.
SEARCH:SEARCH<x>:TRIGger:A:DDRREAD:BURSTDETECTmethod	This command sets or queries the DDRRead search burst detection method.
SEARCH:SEARCH<x>:TRIGger:A:DDRREAD:BURSTLatency	This command sets or queries the DDR read logic state burst latency value.
SEARCH:SEARCH<x>:TRIGger:A:DDRREAD:BURSTLENGTH	This command sets or queries the DDR read logic state burst length value.

Table 2-45: Search and Mark commands (cont.)

Command	Description
SEARCH:SEARCH<x>:TRIGger:A:DDRREAD:CSActive	This command sets or queries the DDR Read chip select active state.
SEARCH:SEARCH<x>:TRIGger:A:DDRREAD:CSLevel	This command sets or queries the DDR Read chip select level value.
SEARCH:SEARCH<x>:TRIGger:A:DDRREAD:CSMode	This command sets or queries the DDR Read chip select mode.
SEARCH:SEARCH<x>:TRIGger:A:DDRREAD:CSSource	This command sets or queries the DDR Read search chip select source.
SEARCH:SEARCH<x>:TRIGger:A:DDRREAD:DATARate	Sets or queries the DDR read search data rate for DDR3 and LPDDR3 standards of the specified search.
SEARCH:SEARCH<x>:TRIGger:A:DDRREAD:DATASource	Sets or queries the DDR read data source when the search type is DDR READ.
SEARCH:SEARCH<x>:TRIGger:A:DDRREAD:HYSteresis	Sets or queries the DDR read hysteresis reference level value, when the search type is DDR READ.
SEARCH:SEARCH<x>:TRIGger:A:DDRREAD:LOGIC1SOURCE:SYMBOL	This command sets or queries the DDR read logic source 1 symbol.
SEARCH:SEARCH<x>:TRIGger:A:DDRREAD:LOGIC2SOURCE:SYMBOL	This command sets or queries the DDR read logic source 2 symbol.
SEARCH:SEARCH<x>:TRIGger:A:DDRREAD:LOGIC3SOURCE:SYMBOL	This command sets or queries the DDR read logic source 3 symbol.
SEARCH:SEARCH<x>:TRIGger:A:DDRREAD:LOGIC4SOURCE:SYMBOL	This command sets or queries the DDR read logic source 4 symbol.
SEARCH:SEARCH<x>:TRIGger:A:DDRREAD:MARGIN	Sets or queries the DDR read margin reference level value, when the search type is DDR READ.
SEARCH:SEARCH<x>:TRIGger:A:DDRREAD:MAXCAS	This command sets or queries the DDR read chip maximum Column Access Strobe (CAS) value.
SEARCH:SEARCH<x>:TRIGger:A:DDRREAD:MINCAS	This command sets or queries the DDR read chip minimum Column Access Strobe (CAS) value.
SEARCH:SEARCH<x>:TRIGger:A:DDRREAD:POSTAMBLE:LENGTH	Sets or queries the DDR read postamble length when the search type is DDR READ.
SEARCH:SEARCH<x>:TRIGger:A:DDRREAD:PREAMBLE:TYPE	Sets or queries the DDR read preamble type when the search type is DDR READ.
SEARCH:SEARCH<x>:TRIGger:A:DDRREAD:REFLevel:DATA:HIGH	Sets or queries the DDR read data high reference level value, when the search type is DDR READ.
SEARCH:SEARCH<x>:TRIGger:A:DDRREAD:REFLevel:DATA:LOW	Sets or queries the DDR read data low reference level value, when the search type is DDR READ.
SEARCH:SEARCH<x>:TRIGger:A:DDRREAD:REFLevel:DATA:MID	Sets or queries the DDR read data mid reference level value, when the search type is DDR READ.

Table 2-45: Search and Mark commands (cont.)

Command	Description
SEARCH:SEARCH<x>:TRIGger:A:DDRREAD:REFLevel:STROBE:HIGH	Sets or queries the DDR read reference level strobe high value, when the search type is DDR READ.
SEARCH:SEARCH<x>:TRIGger:A:DDRREAD:REFLevel:STROBE:LOW	Sets or queries the DDR read reference level strobe low value, when the search type is DDR READ.
SEARCH:SEARCH<x>:TRIGger:A:DDRREAD:REFLevel:STROBE:MID	Sets or queries the DDR read reference level strobe mid value, when the search type is DDR READ.
SEARCH:SEARCH<x>:TRIGger:A:DDRREAD:REFLEVELMode	Sets or queries the DDR read reference level mode to auto or manual, when the search type is DDR READ.
SEARCH:SEARCH<x>:TRIGger:A:DDRREAD:STANdard	Sets or queries the DDR read search standard as DDR3 or LPDDR3.
SEARCH:SEARCH<x>:TRIGger:A:DDRREAD:STROBESource	Sets or queries the DDR read strobe source when the search type is DDR READ.
SEARCH:SEARCH<x>:TRIGger:A:DDRREAD:TOLERance	This command sets or queries the DDR read logic state tolerance value.
SEARCH:SEARCH<x>:TRIGger:A:DDRREADWRITE:BURSTDETECTmethod	This command sets or queries the DDR Read/Write search burst detection method
SEARCH:SEARCH<x>:TRIGger:A:DDRREADWRITE:BURSTLatency	This command sets or queries the DDR read/write logic state burst latency value.
SEARCH:SEARCH<x>:TRIGger:A:DDRREADWRITE:BURSTLENGTH	This command sets or queries the DDR read/write logic state burst length value.
SEARCH:SEARCH<x>:TRIGger:A:DDRREADWRITE:CSActive	This command sets or queries the DDR Read/Write chip select active state.
SEARCH:SEARCH<x>:TRIGger:A:DDRREADWRITE:CSLevel	This command sets or queries the DDR Read/Write chip select level value.
SEARCH:SEARCH<x>:TRIGger:A:DDRREADWRITE:CSMode	This command sets or queries the DDR read/write chip select mode.
SEARCH:SEARCH<x>:TRIGger:A:DDRREADWRITE:CSSource	This command sets or queries the DDR Read/Write search chip select source.
SEARCH:SEARCH<x>:TRIGger:A:DDRREADWRITE:DATArate	Sets or queries the DDR read/write data rate for DDR3 and LPDDR3 standards of the specified search.
SEARCH:SEARCH<x>:TRIGger:A:DDRREADWRITE:DATASource	Sets or queries the DDR read/write data source when the search type is DDR READWRITE.
SEARCH:SEARCH<x>:TRIGger:A:DDRREADWRITE:HYSteresis	Sets or queries the DDR read/write hysteresis reference level value, when the search type is DDR READWRITE.
SEARCH:SEARCH<x>:TRIGger:A:DDRREADWRITE:LOGIC1SOURCE:SYMBOL	This command sets or queries the DDR read/write logic source 1 symbol.
SEARCH:SEARCH<x>:TRIGger:A:DDRREADWRITE:LOGIC2SOURCE:SYMBOL	This command sets or queries the DDR read/write logic source 2 symbol.

Table 2-45: Search and Mark commands (cont.)

Command	Description
SEARCH:SEARCH<x>:TRIGger:A:DDRREADWRITE:LOGIC3SOURCE:SYMBOL	This command sets or queries the DDR read/write logic source 3 symbol.
SEARCH:SEARCH<x>:TRIGger:A:DDRREADWRITE:LOGIC4SOURCE:SYMBOL	This command sets or queries the DDR read/write logic source 4 symbol.
SEARCH:SEARCH<x>:TRIGger:A:DDRREADWRITE:MARGIN	Sets or queries the DDR read/write margin reference level value, when the search type is DDR READWRITE.
SEARCH:SEARCH<x>:TRIGger:A:DDRREADWRITE:MAXCAS	This command sets or queries the DDR read/write chip maximum Column Access Strobe (CAS) value.
SEARCH:SEARCH<x>:TRIGger:A:DDRREADWRITE:MINCAS	This command sets or queries the DDR read/write chip minimum Column Access Strobe (CAS) value.
SEARCH:SEARCH<x>:TRIGger:A:DDRREADWRITE:POSTAMBLE:LENGTH	Sets or queries the DDR read/write postamble length when the search type is DDR READWRITE.
SEARCH:SEARCH<x>:TRIGger:A:DDRREADWRITE:PREAMBLE:TYPE	Sets or queries the DDR read/write preamble type when the search type is DDR READWRITE.
SEARCH:SEARCH<x>:TRIGger:A:DDRREADWRITE:REFLevel:DATA:HIGh	Sets or queries the DDR read/write data high reference level value, when the search type is DDR READWRITE.
SEARCH:SEARCH<x>:TRIGger:A:DDRREADWRITE:REFLevel:DATA:LOW	Sets or queries the DDR read/write data low reference level value, when the search type is DDR READWRITE.
SEARCH:SEARCH<x>:TRIGger:A:DDRREADWRITE:REFLevel:DATA:MID	Sets or queries the DDR read/write data mid reference level value, when the search type is DDR READWRITE.
SEARCH:SEARCH<x>:TRIGger:A:DDRREADWRITE:REFLevel:STROBE:HIGh	Sets or queries the DDR read/write reference level strobe high value, when the search type is DDR READWRITE.
SEARCH:SEARCH<x>:TRIGger:A:DDRREADWRITE:REFLevel:STROBE:LOW	Sets or queries the DDR read/write reference level strobe low value, when the search type is DDR READWRITE.
SEARCH:SEARCH<x>:TRIGger:A:DDRREADWRITE:REFLevel:STROBE:MID	Sets or queries the DDR read/write reference level strobe mid value, when the search type is DDR READWRITE.
SEARCH:SEARCH<x>:TRIGger:A:DDRREADWRITE:REFLEVELMode	Sets or queries the DDR read/write reference level mode to auto or manual, when the search type is DDR READWRITE.
SEARCH:SEARCH<x>:TRIGger:A:DDRREADWRITE:STANDARD	Sets or queries the DDR read/write search standard as DDR3 or LPDDR3.
SEARCH:SEARCH<x>:TRIGger:A:DDRREADWRITE:STROBESource	Sets or queries the DDR read/write strobe source when the search type is DDR READWRITE.
SEARCH:SEARCH<x>:TRIGger:A:DDRREADWRITE:TOLERance	This command sets or queries the DDR read/write logic state tolerance value.
SEARCH:SEARCH<x>:TRIGger:A:DDRWRITE:BURSTDETECTmethod	This command sets or queries the DDRWRITE search burst detection method.
SEARCH:SEARCH<x>:TRIGger:A:DDRWRITE:BURSTLatency	This command sets or queries the DDR write logic state burst latency value.

Table 2-45: Search and Mark commands (cont.)

Command	Description
SEARCH:SEARCH<x>:TRIGger:A:DDRWRITE: BURSTLENGTH	This command sets or queries the DDR write logic state burst length value.
SEARCH:SEARCH<x>:TRIGger:A:DDRWRITE: CSActive	This command sets or queries the DDR write chip select active state.
SEARCH:SEARCH<x>:TRIGger:A:DDRWRITE: CSLevel	This command sets or queries the DDR Write chip select level value.
SEARCH:SEARCH<x>:TRIGger:A:DDRWRITE: CSMode	This command sets or queries the DDR Write chip select mode.
SEARCH:SEARCH<x>:TRIGger:A:DDRWRITE: CSSource	This command sets or queries the DDR Write search chip select source.
SEARCH:SEARCH<x>:TRIGger:A:DDRWRITE: DATARate	Sets or queries the DDR write search data rate for DDR3 and LPDDR3 standards of the specified search.
SEARCH:SEARCH<x>:TRIGger:A:DDRWRITE: DATASource	Sets or queries the DDR write data source when the search type is DDR Write.
SEARCH:SEARCH<x>:TRIGger:A:DDRWRITE: HYSteresis	Sets or queries the DDR write hysteresis reference level value when the search type is DDR WRITE.
SEARCH:SEARCH<x>:TRIGger:A:DDRWRITE: LOGIC1SOURCE:SYMBOL	This command sets or queries the DDR write logic source 1 symbol.
SEARCH:SEARCH<x>:TRIGger:A:DDRWRITE: LOGIC2SOURCE:SYMBOL	This command sets or queries the DDR write logic source 2 symbol.
SEARCH:SEARCH<x>:TRIGger:A:DDRWRITE: LOGIC3SOURCE:SYMBOL	This command sets or queries the DDR write logic source 3 symbol.
SEARCH:SEARCH<x>:TRIGger:A:DDRWRITE: LOGIC4SOURCE:SYMBOL	This command sets or queries the DDR write logic source 4 symbol.
SEARCH:SEARCH<x>:TRIGger:A:DDRWRITE: MARGin	Sets or queries the DDR write margin reference level value, when the search type is DDR WRITE.
SEARCH:SEARCH<x>:TRIGger:A:DDRWRITE: MAXCAS	This command sets or queries the DDR write chip select maximum Column Access Strobe (CAS) value.
SEARCH:SEARCH<x>:TRIGger:A:DDRWRITE: MINCas	This command sets or queries the DDR write chip select minimum Column Access Strobe (CAS) value.
SEARCH:SEARCH<x>:TRIGger:A:DDRWRITE: POSTAMBLE:LENGTH	Sets or queries the DDR write postamble length when the search type is DDR WRITE.
SEARCH:SEARCH<x>:TRIGger:A:DDRWRITE: PREAMBLE:TYPE	Sets or queries the DDR write preamble type when the search type is DDR WRITE.
SEARCH:SEARCH<x>:TRIGger:A:DDRWRITE: REFLevel:DATA:HIGh	Sets or queries the DDR write data high reference level value, when the search type is DDR WRITE.
SEARCH:SEARCH<x>:TRIGger:A:DDRWRITE: REFLevel:DATA:LOW	Sets or queries the DDR write data low reference level value, when the search type is DDR WRITE.

Table 2-45: Search and Mark commands (cont.)

Command	Description
SEARCH:SEARCH<x>:TRIGger:A:DDRWRITE:REFLevel:DATA:MID	Sets or queries the DDR write data mid reference level value, when the search type is DDR WRITE.
SEARCH:SEARCH<x>:TRIGger:A:DDRWRITE:REFLevel:STROBE:HIGh	Sets or queries the DDR write reference level strobe high value, when the search type is DDR WRITE.
SEARCH:SEARCH<x>:TRIGger:A:DDRWRITE:REFLevel:STROBE:LOW	Sets or queries the DDR write reference level strobe low value, when the search type is DDR WRITE.
SEARCH:SEARCH<x>:TRIGger:A:DDRWRITE:REFLevel:STROBE:MID	Sets or queries the DDR write reference level strobe mid value, when the search type is DDR WRITE.
SEARCH:SEARCH<x>:TRIGger:A:DDRWRITE:REFLEVELMode	Sets or queries the DDR write reference level mode to auto or manual, when the search type is DDR WRITE.
SEARCH:SEARCH<x>:TRIGger:A:DDRWRITE:STANdard	Sets or queries the DDR write search standard as DDR3 or LPDDR3.
SEARCH:SEARCH<x>:TRIGger:A:DDRWRITE:STROBESource	Sets or queries the DDR write strobe source when the search type is DDR Write.
SEARCH:SEARCH<x>:TRIGger:A:DDRWRITE:TOLERance	This command sets or queries the DDR write logic state tolerance value.
SEARCH:SEARCH<x>:TRIGger:A:EDGE:SLOpe	Sets or queries the slope for an edge trigger search to determine where to place a mark.
SEARCH:SEARCH<x>:TRIGger:A:EDGE:SOUrce	Sets or queries the source waveform for an edge trigger search to determine where to place a mark.
SEARCH:SEARCH<x>:TRIGger:A:LOGIc:FUNCIon	Sets or queries the logic operator for a pattern or state trigger search to determine where to place a mark.
SEARCH:SEARCH<x>:TRIGger:A:LOGIc:USEClOCKedge	Sets whether or not Logic search uses a clock source.
SEARCH:SEARCH<x>:TRIGger:A:RUNT:WHEn	Sets or queries the condition setting for a runt trigger search to determine where to place a mark.
SEARCH:SEARCH<x>:TRIGger:A:RUNT:WIDTh	Sets or queries the width setting for a runt trigger search to determine where to place a mark.
SEARCH:SEARCH<x>:TRIGger:A:SETHold:CLOCK:EDGE	Sets or queries the clock slope setting for a setup/hold trigger search to determine where to place a mark.
SEARCH:SEARCH<x>:TRIGger:A:SETHold:CLOCK:SOUrce	Sets or queries the clock source setting for a setup/hold trigger search to determine where to place a mark.
SEARCH:SEARCH<x>:TRIGger:A:SETHold:HOLDTime	Sets or queries the hold time setting for a setup/hold trigger search to determine where to place a mark.
SEARCH:SEARCH<x>:TRIGger:A:SETHold:SETTime	Sets or queries the setup time setting for a setup/hold trigger search to determine where to place a mark.
SEARCH:SEARCH<x>:TRIGger:A:TIMEOut:TIME	Sets or queries the time setting for a timeout trigger search to determine where to place a mark.

Table 2-45: Search and Mark commands (cont.)

Command	Description
SEARCH:SEARCH<x>:TRIGger:A:TRANSition:DELTATime	Sets or queries the transition time setting for a transition trigger search to determine where to place a mark.
SEARCH:SEARCH<x>:TRIGger:A:TRANSition:WHEn	Sets or queries the condition setting for a transition trigger search to determine where to place a mark.
SEARCH:SEARCH<x>:TRIGger:A:TYPE	Sets or queries the trigger type setting for a search to determine where to place a mark.
SEARCH:SEARCH<x>:TRIGger:A:WINdow:WIDth	Sets or queries the width setting for a window search to determine where to place a mark.
SEARCH:SEARCH<x>:TRIGger:A:BUS:LIN:CONDition	Sets or queries the LIN bus search trigger condition.
SEARCH:SEARCH<x>:TRIGger:A:BUS:USB:DATa:QUALifier	Sets or queries the qualifier to be used when searching on a USB bus signal.
SEARCH:SEARCH<x>:TRIGger:A:EDGE:THReshold	Sets or queries the source threshold level for an edge trigger search to determine where to place a mark.
SEARCH:SEARCH<x>:TRIGger:A:LOGIc:CLOCK:THReshold	Sets or queries the logic clock threshold for a logic trigger search to determine where to place a mark.
SEARCH:SEARCH<x>:TRIGger:A:LOGIc:DELTAtime	Specifies the Logic search delta time value.
SEARCH:SEARCH<x>:TRIGger:A:LOGIc:INPUT:CLOCK:SOUrce	Sets or queries the channel to use as the clock source for logic trigger.
SEARCH:SEARCH<x>:TRIGger:A:LOGIc:LEVel:CH<x>	Sets or queries the voltage level to use for logic trigger search.
SEARCH:SEARCH<x>:TRIGger:A:LOGIc:LEVel:MATH<x>	Sets the voltage level to use for logic trigger search.
SEARCH:SEARCH<x>:TRIGger:A:LOGIc:LEVel:REF<x>	Sets the voltage level to use for logic trigger search.
SEARCH:SEARCH<x>:TRIGger:A:LOGIc:LOGICPattern:CH<x>	Sets or queries the conditions used for generating an A logic pattern.
SEARCH:SEARCH<x>:TRIGger:A:LOGIc:LOGICPattern:CH<x>_D<x>	Sets or queries the conditions used for generating an A logic pattern.
SEARCH:SEARCH<x>:TRIGger:A:LOGIc:LOGICPattern:MATH<x>	Sets or queries the conditions used for generating an A logic pattern.
SEARCH:SEARCH<x>:TRIGger:A:LOGIc:LOGICPattern:REF<x>	Sets or queries the conditions used for generating an A logic pattern.
SEARCH:SEARCH<x>:TRIGger:A:LOGIc:POLarity	Sets or queries the polarity for the clock channel when Use Clock Edge is set to Yes for Logic search type.
SEARCH:SEARCH<x>:TRIGger:A:LOGIc:WHEn	Sets or queries the condition for generating an A or B logic search with respect to the defined input pattern.

Table 2-45: Search and Mark commands (cont.)

Command	Description
SEARCH:SEARCH<x>:TRIGger:A:PULSEWidth:HIGHLimit	Specifies the upper limit to use, in seconds, when searching for a pulse whose duration is inside or outside a range of two values.
SEARCH:SEARCH<x>:TRIGger:A:PULSEWidth:LOGICQUALification	Specifies whether or not to use logic qualification for a pulse width search.
SEARCH:SEARCH<x>:TRIGger:A:PULSEWidth:LOWLimit	Specifies the lower limit to use, in seconds, when searching for a pulse whose duration is inside or outside a range of two values.
SEARCH:SEARCH<x>:TRIGger:A:PULSEWidth:POLarity	Specifies the polarity for a pulse width search.
SEARCH:SEARCH<x>:TRIGger:A:PULSEWidth:SOUrce	Sets and queries the source for the pulsewidth search input.
SEARCH:SEARCH<x>:TRIGger:A:PULSEWidth:THReshold	Sets or queries the source threshold level for a pulse width trigger search to determine where to place a mark.
SEARCH:SEARCH<x>:TRIGger:A:PULSEWidth:WHEn	Specifies to search for a pulse with a specified width.
SEARCH:SEARCH<x>:TRIGger:A:RUNT:LOGICQUALification	Specifies whether or not to use logic qualification for a runt search.
SEARCH:SEARCH<x>:TRIGger:A:RUNT:POLarity	Specifies the polarity for the runt search.
SEARCH:SEARCH<x>:TRIGger:A:RUNT:SOUrce	Sets and queries the source for the Runt search input.
SEARCH:SEARCH<x>:TRIGger:A:RUNT:THReshold:HIGH	Sets or queries the source threshold HIGH level for a runt trigger search to determine where to place a mark.
SEARCH:SEARCH<x>:TRIGger:A:RUNT:THReshold:LOW	Sets or queries the source threshold LOW level for a runt trigger search to determine where to place a mark.
SEARCH:SEARCH<x>:TRIGger:A:SETHold:CLOCK:THReshold	Sets or queries the clock threshold setting for a setup/hold trigger search to determine where to place a mark.
SEARCH:SEARCH<x>:TRIGger:A:SETHold:LEVel:CH<x>	Sets or queries the voltage level to use for setup & hold trigger search.
SEARCH:SEARCH<x>:TRIGger:A:SETHold:LEVel:MATH<x>	Sets or queries the voltage level to use for setup & hold trigger search.
SEARCH:SEARCH<x>:TRIGger:A:SETHold:LEVel:REF<x>	Sets or queries the voltage level to use for setup & hold trigger search.
SEARCH:SEARCH<x>:TRIGger:A:SETHold:LOGICPattern:CH<x>	Sets or queries the conditions used for generating an A logic pattern.
SEARCH:SEARCH<x>:TRIGger:A:SETHold:LOGICPattern:CH<x>_D<x>	Sets or queries the conditions used for generating an A logic pattern.
SEARCH:SEARCH<x>:TRIGger:A:SETHold:LOGICPattern:MATH<x>	Sets or queries the conditions used for generating an A logic pattern.

Table 2-45: Search and Mark commands (cont.)

Command	Description
SEARCH:SEARCH<x>:TRIGger:A:SETHold: LOGICPattern:REF<x>	Sets and returns the conditions used for generating an A logic pattern.
SEARCH:SEARCH<x>:TRIGger:A:STATE	Sets or queries the enabled state of the search.
SEARCH:SEARCH<x>:TRIGger:A:STOPAcq	Sets or queries whether acquisitions are stopped when a search hit is found.
SEARCH:SEARCH<x>:TRIGger:A:TIMEOut: LOGICQUALification	Sets whether or not to use logic qualification for a timeout search.
SEARCH:SEARCH<x>:TRIGger:A:TIMEOut: POLarity	Sets or queries the polarity to be used for a Timeout search.
SEARCH:SEARCH<x>:TRIGger:A:TIMEOut: SOUrce	Sets and queries the source for timeout search input.
SEARCH:SEARCH<x>:TRIGger:A:TIMEOut: THReshold	Sets or queries the source threshold level for a timeout trigger search to determine where to place a mark.
SEARCH:SEARCH<x>:TRIGger:A:TRANSition: LOGICQUALification	Specifies whether or not to use logic qualification for a transition search.
SEARCH:SEARCH<x>:TRIGger:A:TRANSition: POLarity	Specifies the polarity for the transition search.
SEARCH:SEARCH<x>:TRIGger:A:TRANSition: SOUrce	Sets and queries the source for the transition search input.
SEARCH:SEARCH<x>:TRIGger:A:TRANSition: THReshold:HIGH	Sets or queries the source threshold HIGH level for a transition trigger search to determine where to place a mark.
SEARCH:SEARCH<x>:TRIGger:A:TRANSition: THReshold:LOW	Sets or queries the source threshold LOW level for a transition trigger search to determine where to place a mark.
SEARCH:SEARCH<x>:TRIGger:A:WINDow: CROSSIng	Sets or queries the window trigger threshold crossing of the selected trigger Source.
SEARCH:SEARCH<x>:TRIGger:A:WINDow: LOGICQUALification	Specifies or queries whether or not to use logic qualification for a window search.
SEARCH:SEARCH<x>:TRIGger:A:WINDow: POLarity	Sets or queries the window trigger threshold crossing of the selected trigger Source.
SEARCH:SEARCH<x>:TRIGger:A:WINDow: SOUrce	Sets and queries the source for the window search input.
SEARCH:SEARCH<x>:TRIGger:A:WINDow: THReshold:HIGH	Sets or queries the source threshold HIGH level for a transition trigger search to determine where to place a mark.
SEARCH:SEARCH<x>:TRIGger:A:WINDow: THReshold:LOW	Sets or queries the source threshold LOW level for a transition trigger search to determine where to place a mark.
SEARCH:SEARCH<x>:TRIGger:A:WINDow: WHEn	Sets or queries the window search event.
SEARCH:SELEcted	Sets or queries the selected search.

Table 2-45: Search and Mark commands (cont.)

Command	Description
SEARCHTABLE:ADDNew	Adds a new search event table in an Option 5-WIN (Microsoft Windows 10 OS) TekExpress compliance testing application.
SEARCHTABLE:DELeTe	Deletes a search event table in an Option 5-WIN (Microsoft Windows 10 OS) TekExpress compliance testing application.
SEARCHTABLE:list?	Returns a list of all the search event table in an Option 5-WIN (Microsoft Windows 10 OS) TekExpress compliance testing application.

Self Test command group

The Self Test commands control the selection and execution of diagnostic tests.

Table 2-46: Self Test commands

Command	Description
DIAG:LOOP:OPTion	Sets or queries the type of looping desired.
DIAG:LOOP:OPTion:NTIMes	Sets or queries how many loops to run.
DIAG:LOOP:STOP	Stops diagnostics looping.
DIAG:MODE	Sets or queries the diagnostics mode.
DIAG:RESUlt?	Returns the diagnostics results.
DIAG:RESUlt:FLAg?	Returns the status of the diagnostics (single area).
DIAG:RESUlt:LOG?	Returns the status of the diagnostic area.
DIAG:SElect	Selects an available diagnostic area.
DIAG:STATE	Sets the instrument operating state.
TOUCHSCReen:CALibrate	Starts the touch screen calibration procedure.

Spectrum View command group

The Spectrum View commands control the selection and execution of spectrum commands.

Table 2-47: Spectrum View commands

Command	Description
CH<x>:SV:CENTERFrequency	Sets or queries the center frequency of the specified spectrum trace channel for Spectrum View.
CH<x>:SV:POSition	Sets or queries the Spectrum Time setting of the specified spectrum trace channel in the Spectrum View.
CH<x>:SV:SPANABovebw?	Queries whether the stop frequency for the specified spectrum trace channel is above the scope input bandwidth.
CH<x>:SV:SPANBELowdc?	Queries whether the start frequency for the specified spectrum trace channel is below 0 Hz.
CH<x>:SV:STARTFrequency?	Queries the start frequency for the specified spectrum trace channel in Spectrum View
CH<x>:SV:STATE	Sets or queries the on/off setting of data acquisition for the specified spectrum trace channel.
CH<x>:SV:STOPFrequency?	Queries the stop frequency of the specified spectrum trace channel for Spectrum View
PEAKSTABLE:ADDNew	Adds the specified peak markers table.
PEAKSTABLE:DELete	Deletes the specified peak markers table.
PEAKSTABLE:LIST?	Lists all currently defined peak markers tables.
PEAKSTABLE:TABLE<x>:FRESolution	Sets or queries the Frequency Resolution state for peak markers table.
SV:CH<x>:RF_AVErage:NUMAVg	Sets or queries the number of acquisitions to be used when creating the Average trace for the specified spectrum trace channel in the Spectrum View.
SV:CH<x>:RF_MAGnitude:FORMat	Sets or queries the format of the Magnitude vs. Time trace for the specified channel.
SV:CH<x>:RF_PHASe:REFerence:DEGrees	Sets or queries the channel Phase Reference value in degrees.
SV:CH<x>:RF_PHASe:REFerence:POSition	Sets or queries whether the channel Phase Reference is located at the Trigger position or at the Cursor A position.
SV:CH<x>:RF_PHASe:REFerence:TIME	Sets or queries the channel Phase Reference time in seconds.
SV:CH<x>:RF_PHASe:WRAP:DEGrees	Sets or queries the Phase Wrap limit for the Phase vs. Time trace for the specified channel.
SV:CH<x>:RF_PHASe:WRAP:STATE	Sets or queries whether Phase Wrap is applied to the Phase vs. Time trace for the specified channel.
SV:CH<x>:SELEct:RF_AVErage	Sets or queries whether the Average trace is displayed for the specified spectrum trace channel in the Spectrum View.
SV:CH<x>:SELEct:RF_FREQuency	Sets or queries whether the Frequency vs. Time trace for the specified channel is displayed in the Waveform View.
SV:CH<x>:SELEct:RF_MAGnitude	Sets or queries whether the Magnitude vs. Time trace for the specified channel is displayed in the Waveform View.
SV:CH<x>:SELEct:RF_MAXHold	Sets or queries whether the Max Hold trace is displayed for the specified spectrum trace channel in the Spectrum View.

Command	Description
SV:CH<x>:SElect:RF_MINHold	Sets or queries whether the Min Hold trace is displayed for the specified spectrum trace channel in the Spectrum View.
SV:CH<x>:SElect:RF_NORMal	Sets or queries whether the Normal trace is displayed for the specified spectrum trace channel in the Spectrum View.
SV:CH<x>:SElect:RF_PHASe	Sets or queries whether the Phase vs. Time trace for the specified channel is displayed in the Waveform View.
SV:CH<x>:SElect:SPECTrogram	Sets or queries whether the spectrogram plot for the specified channel is displayed in the Spectrum View.
SV:CH<x>:SELTrace	Sets or queries the spectrum trace type to show for the specified channel in the Spectrum View.
SV:CH<x>:SQUELCH:STATE	Sets or queries whether Squelch is enabled for the RF vs Time traces for the specified channel.
SV:CH<x>:SQUELCH:THReshold	Sets or queries the Squelch threshold value for the RF vs Time traces for the specified channel.
SV:CH<x>:UNIts	Sets or queries the vertical units to be used in the Spectrum View for the specified channel for absolute logarithmic amplitudes.
SV:LOCKCenter	Sets or queries whether the Center Frequency value is locked across all channels in the Spectrum View.
SV:LOCKSpectrum	Sets or queries whether the Spectrum Time value is locked across all spectrum trace channels in the Spectrum View.
SV:MARKER:PEAK:EXCURsion	Sets or queries the minimum peak excursion value, in dB, for the Spectrum View trace peak markers.
SV:MARKER:PEAK:MAXimum	Sets or queries the maximum number of Spectrum View trace peaks that can have automatic markers placed on them.
SV:MARKER:PEAK:STATE	Sets or queries the visibility of peak markers for Spectrum View traces.
SV:MARKER:PEAK:THReshold	Sets or queries the threshold value of the peak markers available for frequency domain traces.
SV:MARKER:PEAKS:AMPLITUDE?	Queries the peak amplitudes for the Spectrum View trace peak markers.
SV:MARKER:PEAKS:FREQuency?	Queries the peak frequencies for the Spectrum View trace peak markers.
SV:MARKER:REFERence	Sets the Center Frequency of the currently selected Spectrum View channel to the frequency indicated by the Reference Marker
SV:MARKER:REFERence:AMPLITUDE?	Queries the actual amplitude (vertical) value of the Reference Marker in user-set units.
SV:MARKER:REFERence:FREQuency?	Queries the frequency of the Reference Marker, in Hz, when the Spectrum View trace markers are on.
SV:MARKER:TYPE	Sets or queries the peak marker type (either DELTa or ABSolute).
SV:RBW	Sets or queries the resolution bandwidth (RBW) when the RBW mode has been set to Manual.
SV:RBWMode	Sets or queries the resolution bandwidth (RBW) mode, either Automatic or Manual.
SV:RF_PHASe:REFERence:MASter	Sets or queries the channel used as the Master Phase Reference.
SV:SPAN	Sets or queries the span setting for all channels in the Spectrum View.

Command	Description
SV:SPANRBWRatio	This command specifies the ratio of the span to the resolution bandwidth (RBW) that will be used when the RBW Mode is set to AUTO.
SV:SPECTrogram:CSCale:MAX	Sets or queries the maximum color scale value.
SV:SPECTrogram:CSCale:MIN	Sets or queries the minimum color scale value.
SV:SPECTrogram:CURSor:A	Sets or queries whether the spectrum trace at cursor A position is selected or not.
SV:SPECTrogram:CURSor:B	Sets or queries whether the spectrum trace at cursor B position is selected or not.
SV:WINDOW	Sets or queries the window type used by the windowing function of the Spectrum View.

Status and Error command group

Use the commands in the Status and Error command Group to determine the status of the instrument and control events.

Several commands and queries used with the instrument are common to all devices. The IEEE Std 488.2-1987 defines these commands and queries. The common commands begin with an asterisk (*) character.

Table 2-48: Status and Error commands

Command	Description
ALLEV?	Returns all events and their messages.
BUSY?	Returns instrument status.
*CLS	Clears status.
DESE	Sets or queries the bits in the Device Event Status Enable Register.
*ESE	Sets or queries the bits in the Event Status Enable Register.
*ESR?	Returns the contents of the Standard Event Status Register.
EVENT?	Returns event code from the event queue.
EVMsg?	Returns event code, message from the event queue.
EVQty?	Returns number of events that are enabled in the queue.
*OPC	Generates the operation complete message in the standard event status register when all pending operations are finished Or returns "1" when all current operations are finished.
*OPT?	Returns a comma separated list of installed options as an arbitrary ASCII string (no quotes).
*PSC	Sets or queries the power on status flag.
*PUD	Sets or queries a string of protected user data.
*RST	Resets the instrument to factory default settings.
*SRE	Sets or queries the bits in the Service Request Enable Register.
*STB?	Returns the contents of the Status Byte Register.
*WAI	Prevents the instrument from executing further commands until all pending operations finish.

Trigger command group

Use the commands in the Trigger Command Group to control all aspects of triggering for the instrument.

There are two triggers: A and B. Where appropriate, the command set has parallel constructions for each trigger.

You can set the A or B triggers to edge mode. Edge triggering lets you display a waveform at or near the point where the signal passes through a voltage level of your choosing.

You can also set A or B triggers to pulse or logic modes. With pulse triggering, the instrument triggers whenever it detects a pulse of a certain width or height. Logic triggering lets you logically combine the signals on one or more channels. The instrument then triggers when it detects a certain combination of signal levels. The trigger types of Pulse Width, Timeout, Runt, Window, and Rise/Fall Time can be further qualified by a logic pattern. This is referred to as logic qualification.

Table 2-49: Trigger commands

Command	Description
TRIGger	Forces a trigger event to occur or returns current trigger parameters for the instrument.
TRIGger:{A B};BUS:B<x>:ARINC429A:CONDition	Specifies a field or condition for an ARINC429 bus to trigger on.
TRIGger:{A B};BUS:B<x>:ARINC429A:ERRTYPe	Sets or queries the error type when triggering on an ARINC429 bus signal.
TRIGger:{A B};BUS:B<x>:ARINC429A:LABel:QUALifier	Sets or queries the qualifier to be used when triggering on label data for an ARINC429 bus signal.
TRIGger:{A B};BUS:B<x>:ARINC429A:LABel:VALue	Sets or queries the low value when triggering on an ARINC429 label field.
TRIGger:{A B};BUS:B<x>:ARINC429A:LABel:HIVALue	Sets or queries the high value when triggering on an ARINC429 label field.
TRIGger:{A B};BUS:B<x>:ARINC429A:SDI:VALue	Sets or queries the when triggering on an ARINC429 SDI field.
TRIGger:{A B};BUS:B<x>:ARINC429A:SSM:VALue	Sets or queries the when triggering on an ARINC429 SSM field.
TRIGger:{A B};BUS:B<x>:ARINC429A:DATA:QUALifier	Sets or queries the qualifier to be used when triggering on data in the DATA field for an ARINC429 bus signal.
TRIGger:{A B};BUS:B<x>:ARINC429A:DATA:VALue	Sets or queries the low value when triggering on an ARINC429 data field.
TRIGger:{A B};BUS:B<x>:ARINC429A:DATA:HIVALue	Sets or queries the high value when trigger on an ARINC429 data field.
TRIGger:{A B};BUS:B<x>:AUDIO:CONDition	Sets the condition (word select, start of frame, or matching data) to be used when triggering on an audio bus signal.
TRIGger:{A B};BUS:B<x>:AUDIO:DATA:HIVALue	Sets the upper word value to be used when triggering on an audio bus signal.

Table 2-49: Trigger commands (cont.)

Command	Description
TRIGger:{A B}:BUS:B<x>:AUDio:DATA:HITDMVALue	Sets or queries the binary data string for the high data word to be used when triggering on an TDM audio bus signal.
TRIGger:{A B}:BUS:B<x>:AUDio:DATA:OFFSet	Sets the data offset value to be used when triggering on an audio bus signal.
TRIGger:{A B}:BUS:B<x>:AUDio:DATA:QUALifier	Sets the qualifier (<, >, =, <=, >=, not =, in range, out of range) to be used when triggering on an audio bus signal.
TRIGger:{A B}:BUS:B<x>:AUDio:DATA:TDMVALue	Sets or queries the binary data string for the single or low data word to be used when triggering on an TDM audio bus signal.
TRIGger:{A B}:BUS:B<x>:AUDio:DATA:VALue	Sets the lower word value to be used when triggering on an audio bus signal.
TRIGger:{A B}:BUS:B<x>:AUDio:DATA:WORD	Sets the alignment of the data (left, right or either) to be used to trigger on an audio bus signal.
TRIGger:{A B}:BUS:B<x>:AUTOETHERnet:CONDition	Specifies a field or condition for an Auto Ethernet bus to trigger on when speed is selected as 10 Base-T1S.
TRIGger:{A B}:BUS:B<x>:AUTOETHERnet:ERRORTYPE	Specifies the error type for an Auto Ethernet bus to trigger on when speed is selected as 10 Base-T1S.
TRIGger:{A B}:BUS:B<x>:CAN:CONDition	Sets the condition (start of frame, frame type, identifier, matching data, EOF, missing ACK field, bit-stuffing error) to be used when triggering on a CAN bus signal.
TRIGger:{A B}:BUS:B<x>:CAN:DATA:DIRection	Sets the data direction (read, write or "nocare") to be used to search on a CAN bus signal.
TRIGger:{A B}:BUS:B<x>:CAN:DATA:OFFSet	Sets or queries the data offset value, in bytes, to use when triggering on the CAN data field.
TRIGger:{A B}:BUS:B<x>:CAN:DATA:QUALifier	Sets the qualifier (<, >, =, not =, <=, >=) to be used when triggering on a CAN bus signal.
TRIGger:{A B}:BUS:B<x>:CAN:DATA:SIZE	Sets the length of the data string, in bytes, to be used when triggering on a CAN bus signal.
TRIGger:{A B}:BUS:B<x>:CAN:DATA:VALue	Sets the binary data value to be used when triggering on a CAN bus signal.
TRIGger:{A B}:BUS:B<x>:CAN:ERRType	Sets or queries the type of error condition for a CAN bus to triggering on.
TRIGger:{A B}:BUS:B<x>:CAN:FD:BRSBit	Sets or queries the value of the bit rate switch bit (BRS bit) for a CAN bus to triggering on.
TRIGger:{A B}:BUS:B<x>:CAN:FD:ESIBit	Sets or queries the value of the error state indicator bit (ESI bit) for a CAN bus to triggering on.
TRIGger:{A B}:BUS:B<x>:CAN:FRAMEType	Sets the frame type (data, remote, error or overload) to be used when triggering on a CAN bus signal.
TRIGger:{A B}:BUS:B<x>:CAN:IDentifier:MODE	Sets the addressing mode (standard or extended format) to be used when triggering on a CAN bus signal.
TRIGger:{A B}:BUS:B<x>:CAN:IDentifier:VALue	Sets the binary address value to be used when triggering on a CAN bus signal.
TRIGger:{A B}:BUS:B<x>:ETHERnet:CONDition	Specifies a field or condition within an Ethernet frame to trigger on.
TRIGger:{A B}:BUS:B<x>:ETHERnet:DATA:HIVALue	When the Ethernet trigger condition is set to DATA, and the qualifier is set to either INrange orOUTrange, this command specifies the upper data value of the range.

Table 2-49: Trigger commands (cont.)

Command	Description
TRIGger:{A B}:BUS:B<x>:ETHERnet:DATA:OFFSet	When the Ethernet trigger condition is set to DATA, this command specifies where in the data field to look for the data trigger value.
TRIGger:{A B}:BUS:B<x>:ETHERnet:DATA:QUALifier	Sets or queries the qualifier to be used when triggering on an Ethernet bus signal.
TRIGger:{A B}:BUS:B<x>:ETHERnet:DATA:SIZE	When the Ethernet trigger condition is set to DATA, this command specifies the number of contiguous TCP/IPv4/MAC client data bytes to trigger on.
TRIGger:{A B}:BUS:B<x>:ETHERnet:DATA:VALue	When the Ethernet trigger condition is set to DATA, and the qualifier is set to LESSthan, MOREthan, EQUAL, UNEQUAL, LESSEQUAL or MOREEQUAL, this command specifies the value to trigger on.
TRIGger:{A B}:BUS:B<x>:ETHERnet:IPHeader:DESTinationaddr:VALue	When the Ethernet trigger condition is set to IPHeader, this command specifies the value of the 32-bit destination address that is to be used in the trigger.
TRIGger:{A B}:BUS:B<x>:ETHERnet:IPHeader:PROTOcol:VALue	When the Ethernet trigger condition is set to IPHeader, this command specifies the value of the 8-bit protocol field that is to be used in the trigger.
TRIGger:{A B}:BUS:B<x>:ETHERnet:IPHeader:SOURceaddr:VALue	When the Ethernet trigger condition is set to IPHeader, this command specifies the value of the 32-bit source address that is to be used in the trigger.
TRIGger:{A B}:BUS:B<x>:ETHERnet:MAC:ADDRess:DESTination:VALue	When the Ethernet trigger condition is set to MACADDRESS, this command specifies the 48-bit MAC destination address that is to be used in the trigger.
TRIGger:{A B}:BUS:B<x>:ETHERnet:MAC:ADDRess:SOURce:VALue	When the Ethernet trigger condition is set to MACADDRESS, this command specifies the 48-bit MAC source address value that is to be used in the trigger.
TRIGger:{A B}:BUS:B<x>:ETHERnet:MAC:LENGth:HIVALue	When the Ethernet trigger condition is set to MACLENGth, and the qualifier is set to INrange or OUTrange, this command specifies the upper data value of the range.
TRIGger:{A B}:BUS:B<x>:ETHERnet:MAC:LENGth:VALue	When the Ethernet trigger condition is set to MACLENGth, and the qualifier is set to LESSthan, MOREthan, EQUAL, UNEQUAL, LESSEQUAL or MOREEQUAL, this command specifies the 16-bit value to trigger on.
TRIGger:{A B}:BUS:B<x>:ETHERnet:QTAG:VALue	When the Ethernet trigger condition is set to QTAG, this command specifies the 32-bit Q-Tag value to trigger on.
TRIGger:{A B}:BUS:B<x>:ETHERnet:TCPHeader:ACKnum:VALue	When the Ethernet trigger condition is set to TCPHeader, this command specifies the 32-bit acknowledgement number that is to be used in the trigger.
TRIGger:{A B}:BUS:B<x>:ETHERnet:TCPHeader:DESTinationport:VALue	When the Ethernet trigger condition is set to TCPHeader, this command specifies the 16-bit destination port address value that is to be used in the trigger.
TRIGger:{A B}:BUS:B<x>:ETHERnet:TCPHeader:SEQnum:VALue	When the Ethernet trigger condition is set to TCPHeader, this command specifies the 32-bit sequence number that is to be used in the trigger.
TRIGger:{A B}:BUS:B<x>:ETHERnet:TCPHeader:SOURceport:VALue	When the Ethernet trigger condition is set to TCPHeader, this command specifies the 16-bit source port address that is to be used in the trigger.
TRIGger:{A B}:BUS:B<x>:FLEXray:CONDition	Specifies the condition to use when triggering on a FlexRay bus signal (start of frame, frame type, ID, cycle count, header, data, ID and data, EOF, error).
TRIGger:{A B}:BUS:B<x>:FLEXray:CYCLEcount:HIVALue	Specifies the high value when triggering on a FlexRay bus cycle count field.
TRIGger:{A B}:BUS:B<x>:FLEXray:CYCLEcount:QUALifier	Specifies the qualifier (<, >, =, <=, >=, ≠, in range, out of range) to use when triggering on the FlexRay bus cycle count field.
TRIGger:{A B}:BUS:B<x>:FLEXray:CYCLEcount:VALue	Specifies the low value when triggering on the FlexRay bus cycle count field.

Table 2-49: Trigger commands (cont.)

Command	Description
TRIGger:{A B}:BUS:B<x>:FLEXray:DATA:HIVALue	Specifies the high value when triggering on the FlexRay bus data field.
TRIGger:{A B}:BUS:B<x>:FLEXray:DATA:OFFSet	Specifies the offset of the data string, in bytes, when triggering on the FlexRay bus data field.
TRIGger:{A B}:BUS:B<x>:FLEXray:DATA:QUALifier	Specifies the qualifier (<, >, =, <=, >=, ≠, in range, out of range) to use when triggering on the FlexRay bus data field.
TRIGger:{A B}:BUS:B<x>:FLEXray:DATA:SIZE	Specifies the length of the data string, in bytes, when triggering on the FlexRay bus data field.
TRIGger:{A B}:BUS:B<x>:FLEXray:DATA:VALue	Specifies the low value when triggering on the FlexRay bus data field.
TRIGger:{A B}:BUS:B<x>:FLEXray:EOFTYPE	Specifies the end of file type (static, dynamic or any) when triggering on the FlexRay bus EOF field.
TRIGger:{A B}:BUS:B<x>:FLEXray:ERRTYPE	Specifies the error type when triggering on the FlexRay bus signal.
TRIGger:{A B}:BUS:B<x>:FLEXray:FRAMEID:HIVALue	Specifies the high value when triggering on the FlexRay bus frame ID field.
TRIGger:{A B}:BUS:B<x>:FLEXray:FRAMEID:QUALifier	Specifies the qualifier to use when triggering on the FlexRay bus frame ID field.
TRIGger:{A B}:BUS:B<x>:FLEXray:FRAMEID:VALue	Specifies the low value when triggering on the FlexRay bus frame ID field.
TRIGger:{A B}:BUS:B<x>:FLEXray:FRAMEType	Specifies the frame type (normal, payload, null, sync or startup) when triggering on the FlexRay bus signal.
TRIGger:{A B}:BUS:B<x>:FLEXray:HEADER:CRC	Specifies the CRC portion of the binary header string when triggering on the FlexRay bus signal.
TRIGger:{A B}:BUS:B<x>:FLEXray:HEADER:CYCLEcount	Specifies the cycle count portion of the binary header string when triggering on the FlexRay bus header.
TRIGger:{A B}:BUS:B<x>:FLEXray:HEADER:FRAMEID	Specifies the frame ID portion of the binary header string when triggering on the FlexRay bus header.
TRIGger:{A B}:BUS:B<x>:FLEXray:HEADER:INDBits	Specifies the indicator bits portion of the binary header string when triggering on the FlexRay bus header.
TRIGger:{A B}:BUS:B<x>:FLEXray:HEADER:PAYLength	Specifies the payload length portion of the binary header string when triggering on the FlexRay bus header.
TRIGger:{A B}:BUS:B<x>:I2C:ADDRess:MODE	Specifies the I ² C address mode to 7 or 10-bit.
TRIGger:{A B}:BUS:B<x>:I2C:ADDRess:VALue	Specifies the binary address string used for the I ² C trigger if the trigger condition is ADDRESS or ADDRANDDATA.
TRIGger:{A B}:BUS:B<x>:I2C:CONDition	Specifies the trigger condition for an I ² C trigger.
TRIGger:{A B}:BUS:B<x>:I2C:DATA:DIRection	Specifies the I ² C trigger type to be valid on a Read, Write, or No Care condition.
TRIGger:{A B}:BUS:B<x>:I2C:DATA:SIZE	Specifies the length of the data string in bytes to be used for an I ² C trigger if the trigger condition is DATA or ADDRANDDATA.

Table 2-49: Trigger commands (cont.)

Command	Description
TRIGger:{A B}:BUS:B<x>:I2C:DATA:VALue	Specifies the binary data string used for I2C triggering if the trigger condition is DATA or ADDRANDDATA.
TRIGger:{A B}:BUS:B<x>:I3C:ADDRess:MODE	Specifies the I3C address mode to either 7bit or 10bit when triggering on address field.
TRIGger:{A B}:BUS:B<x>:I3C:ADDRess:VALue	Specifies the binary address string used for the I3C trigger if the trigger condition is ADDRESS.
TRIGger:{A B}:BUS:B<x>:I3C:CONDition	Sets or queries the trigger condition for a I3C bus to trigger on.
TRIGger:{A B}:BUS:B<x>:I3C:DATA:DIRection	Specifies the I3C bus data direction when triggering on data field.
TRIGger:{A B}:BUS:B<x>:I3C:DATA:SIZE	Specifies the length of the data string in bytes to be used for an I3C trigger if the trigger condition is DATA.
TRIGger:{A B}:BUS:B<x>:I3C:DATA:VALue	Specifies the binary data string used for I3C triggering if the trigger condition is DATA.
TRIGger:{A B}:BUS:B<x>:I3C:ERRORTYPE	Specifies the error type when triggering on I3C errors.
TRIGger:{A B}:BUS:B<x>:I3C:SDR:BROADCASTPacket	Sets or queries the I3C trigger for SDR broadcast packets
TRIGger:{A B}:BUS:B<x>:I3C:SDR:DIRECTPacket	Sets or queries the I3C trigger for SDR direct packets.
TRIGger:{A B}:BUS:B<x>:I3C:TBIT:DIRection	Specifies the I3C trigger for T-Bit error direction when triggering on error type field.
TRIGger:{A B}:BUS:B<x>:LIN:CONDition	Specifies the trigger condition for LIN.
TRIGger:{A B}:BUS:B<x>:LIN:DATA:HIVALue	Specifies the high data value string used for a LIN bus trigger when the trigger condition is DATA or IDANDDATA and the data qualifier is INRANGE or OUTRANGE.
TRIGger:{A B}:BUS:B<x>:LIN:DATA:QUALifier	Specifies the LIN data qualifier. This only applies if the trigger condition is IDANDDATA or DATA.
TRIGger:{A B}:BUS:B<x>:LIN:DATA:SIZE	Specifies the length of the data string in bytes to be used for LIN trigger.
TRIGger:{A B}:BUS:B<x>:LIN:DATA:VALue	Specifies the binary data string to be used for LIN trigger condition if trigger condition is ID or IDANDDATA.
TRIGger:{A B}:BUS:B<x>:LIN:ERRTYPE	Specifies the error type be used for LIN trigger.
TRIGger:{A B}:BUS:B<x>:LIN:IDentifier:VALue	Specifies the binary address string used for LIN trigger if the trigger condition is ID or IDANDDATA.
TRIGger:{A B}:BUS:B<x>:MIL1553B:CONDition	Sets or queries the field or condition for a MIL-STD-1553 bus to trigger on.
TRIGger:{A B}:BUS:B<x>:MIL1553B:ERRTYPE	Sets or queries the type of error condition for a MIL-STD-1553 bus to trigger on.
TRIGger:{A B}:BUS:B<x>:MIL1553B:COMMAND:TRBit	Sets or queries the value of the command word Transmit / Receive bit for a MIL-STD-1553 bus to trigger on.
TRIGger:{A B}:BUS:B<x>:MIL1553B:COMMAND:PARity	Sets or queries the value of the command word parity bit for a MIL-STD-1553 bus to triggering on.
TRIGger:{A B}:BUS:B<x>:MIL1553B:COMMAND:COUNt	Sets or queries the value of the command word "word count" field for a MIL-STD-1553 bus to triggering on.

Table 2-49: Trigger commands (cont.)

Command	Description
TRIGger:{A B}:BUS:B<x>:MIL1553B:COMMAND:SUBADdress	Sets or queries the value of the command word "subaddress" field for a MIL-STD-1553 bus to triggering on.
TRIGger:{A B}:BUS:B<x>:MIL1553B:COMMAND:ADDRess:QUALifier	Sets or queries the qualifier to be used when triggering on command word addresses for a MIL-STD-1553 bus.
TRIGger:{A B}:BUS:B<x>:MIL1553B:COMMAND:ADDRess:VALue	Sets or queries the low value when triggering on command word addresses for a MIL-STD-1553 bus.
TRIGger:{A B}:BUS:B<x>:MIL1553B:COMMAND:ADDRess:HIVALue	Sets or queries the high value when triggering on command word addresses for a MIL-STD-1553 bus.
TRIGger:{A B}:BUS:B<x>:MIL1553B:DATA:PARity	Sets or queries the value of the command word parity bit for a MIL-STD-1553 bus to triggering on.
TRIGger:{A B}:BUS:B<x>:MIL1553B:DATA:VALue	Sets or queries the value when triggering on data words for a MIL-STD-1553 bus.
TRIGger:{A B}:BUS:B<x>:MIL1553B:STATus:PARity	Sets or queries the value of the status word parity bit for a MIL-STD-1553 bus to triggering on.
TRIGger:{A B}:BUS:B<x>:MIL1553B:STATus:ADDRess:QUALifier	Sets or queries the qualifier to be used when triggering on status word addresses for a MIL-STD-1553 bus.
TRIGger:{A B}:BUS:B<x>:MIL1553B:STATus:ADDRess:VALue	Sets or queries the low value when triggering on status word addresses for a MIL-STD-1553 bus.
TRIGger:{A B}:BUS:B<x>:MIL1553B:STATus:ADDRess:HIVALue	Sets or queries the high value when triggering on status word addresses for a MIL-STD-1553 bus.
TRIGger:{A B}:BUS:B<x>:MIL1553B:STATus:BIT:ME	Sets or queries the value of the message error bit (ME bit, bit 9) in a status word for a MIL-STD-1553 bus to triggering on.
TRIGger:{A B}:BUS:B<x>:MIL1553B:STATus:BIT:INSTR	Sets or queries the value of the instrumentation bit (INSTR bit, bit 10) in a status word for a MIL-STD-1553 bus to triggering on.
TRIGger:{A B}:BUS:B<x>:MIL1553B:STATus:BIT:SRQ	Sets or queries the value of the status word service request bit (SRQ bit, bit 11) in a status word for a MIL-STD-1553 bus to triggering on.
TRIGger:{A B}:BUS:B<x>:MIL1553B:STATus:BIT:BCR	Sets or queries the value of the broadcast command received bit (BCR bit, bit 15) in a status word for a MIL-STD-1553 bus to triggering on.
TRIGger:{A B}:BUS:B<x>:MIL1553B:STATus:BIT:BUSY	Sets or queries the value of the busy bit (BUSY bit, bit 16) in a status word for a MIL-STD-1553 bus to triggering on.
TRIGger:{A B}:BUS:B<x>:MIL1553B:STATus:BIT:SUBSF	Sets or queries the value of the subsystem flag bit (SUBSF bit, bit 17) in a status word for a MIL-STD-1553 bus to triggering on.
TRIGger:{A B}:BUS:B<x>:MIL1553B:STATus:BIT:DBCA	Sets or queries the value of the dynamic bus control acceptance bit (DBCA bit, bit 18) in a status word for a MIL-STD-1553 bus to triggering on.
TRIGger:{A B}:BUS:B<x>:MIL1553B:STATus:BIT:TF	Sets or queries the value of the terminal flag bit (TF bit, bit 19) in a status word for a MIL-STD-1553 bus to triggering on.
TRIGger:{A B}:BUS:B<x>:MIL1553B:TIME:QUALifier	Sets or queries the qualifier to be used when triggering on response time / inter message gap time for a MIL-STD-1553 bus.
TRIGger:{A B}:BUS:B<x>:MIL1553B:TIME:LESSLimit	Sets or queries the lower limit to be used when triggering on response time / inter message gap time for a MIL-STD-1553 bus.
TRIGger:{A B}:BUS:B<x>:MIL1553B:TIME:MORELimit	Sets or queries the upper limit to be used when triggering on response time / inter message gap time for a MIL-STD-1553 bus.

Table 2-49: Trigger commands (cont.)

Command	Description
TRIGger:{A B}:BUS:B<x>:PARAllel:DATA:VALue	Specifies the binary data string used for a Parallel Bus trigger.
TRIGger:{A B}:BUS:B<x>:RS232C:CONDition	Specifies the condition for an RS-232C trigger.
TRIGger:{A B}:BUS:B<x>:RS232C:DATA:SIZE	Sets or queries the length of the data string in bytes to be used for an RS232 trigger.
TRIGger:{A B}:BUS:B<x>:RS232C:DATA:VALue	Sets or queries the data value of the data token for an RS232 trigger.
TRIGger:{A B}:BUS:B<x>:SENT:CONDition	Sets or queries the trigger condition for a SENT bus.
TRIGger:{A B}:BUS:B<x>:SENT:ERRType	Sets or queries the error type to be used when triggering on SENT data.
TRIGger:{A B}:BUS:B<x>:SENT:ERRType:CRC	Sets or queries the CRC error type to be used when triggering on SENT data.
TRIGger:{A B}:BUS:B<x>:SENT:FAST:CHAN1A:HIVALue	Sets or queries the high binary Fast channel 1 value to use when triggering on a SENT bus signal.
TRIGger:{A B}:BUS:B<x>:SENT:FAST:CHAN1A:QUALifier	Sets or queries the qualifier to be used when triggering on SENT fast packet bus data for device channel 1.
TRIGger:{A B}:BUS:B<x>:SENT:FAST:CHAN1A:VALue	Sets or queries the binary fast channel 1 value to be used when triggering on a SENT bus signal.
TRIGger:{A B}:BUS:B<x>:SENT:FAST:CHAN2B:HIVALue	Sets or queries the high binary fast channel 2 value to use when triggering on a SENT Fast bus signal.
TRIGger:{A B}:BUS:B<x>:SENT:FAST:CHAN2B:QUALifier	Sets or queries the qualifier to be used when triggering on SENT Fast packet bus data for device channel 2.
TRIGger:{A B}:BUS:B<x>:SENT:FAST:CHAN2B:VALue	Sets or queries the binary Fast channel 2 value to be used when triggering on a SENT bus signal. The trigger condition must be set to FAST.
TRIGger:{A B}:BUS:B<x>:SENT:FAST:COUNTER:HIVALue	Sets or queries the high binary Fast message counter value to be used when triggering on a SENT bus signal.
TRIGger:{A B}:BUS:B<x>:SENT:FAST:COUNTER:QUALifier	Sets or queries the qualifier to be used when triggering on SENT Fast packet bus data for the secure format counter.
TRIGger:{A B}:BUS:B<x>:SENT:FAST:COUNTER:VALue	Sets or queries the binary fast message counter value to be used when triggering on a SENT bus signal.
TRIGger:{A B}:BUS:B<x>:SENT:FAST:INVERTNIBble:VALue	Sets or queries the binary fast message inverted nibble value to be used when triggering on a SENT bus signal.
TRIGger:{A B}:BUS:B<x>:SENT:FAST:STATUS:VALue	Sets or queries the binary status value to be used when triggering on a SENT bus signal.
TRIGger:{A B}:BUS:B<x>:SENT:PAUSE:QUALifier	Sets or queries the qualifier to be used when triggering on SENT pause pulses.
TRIGger:{A B}:BUS:B<x>:SENT:SLOW:DATA:HIVALue	Sets or queries the high binary Slow channel data value to use when triggering on SENT Slow packet bus data.
TRIGger:{A B}:BUS:B<x>:SENT:SLOW:DATA:QUALifier	This command sets or queries the binary identifier value to use when triggering on Slow packet bus data.
TRIGger:{A B}:BUS:B<x>:SENT:SLOW:DATA:VALue	This command sets or queries the binary slow channel value to use when triggering on Slow packet bus data.

Table 2-49: Trigger commands (cont.)

Command	Description
TRIGger:{A B}:BUS:B<x>:SENT:SLOW:Identifier:VALue	This command sets or queries the qualifier to use when triggering on SENT Slow packet bus data.
TRIGger:{A B}:BUS:B<x>:SPI:CONDition	Specifies the trigger condition for a SPI trigger.
TRIGger:{A B}:BUS:B<x>:SPI:DATa:SIZE	Specifies the length of the data string to be used for a SPI trigger if the trigger condition is DATA.
TRIGger:{A B}:BUS:B<x>:SPI:DATa:VALue	Specifies the binary data string used for SPI triggering if the trigger condition is DATA.
TRIGger:{A B}:BUS:B<x>:SPMI:CONDition	Sets or queries the trigger condition for the specified SPMI bus.
SEARCH:SEARCH<x>:TRIGger:A:BUS:SPMI:DATa:SIZE	Sets or queries the length of the data string, in bytes, to be used when triggering on an SPMI bus signal.
TRIGger:{A B}:BUS:B<x>:SPMI:DATa:VALue	Sets or queries the binary data string used for SPMI triggering.
TRIGger:{A B}:BUS:B<x>:SPMI:MASTERADDRESS:VALue	Sets or queries the binary data string that identifies the master address used in SPMI triggering if the trigger condition is MASTERREAd, MASTERWRite, or DEVIDESCMAS TERREAd.
TRIGger:{A B}:BUS:B<x>:SPMI:NORESPonse	Sets or queries whether or not to trigger on No Response frames.
TRIGger:{A B}:BUS:B<x>:SPMI:REGISTERADDRESS:VALue	Sets or queries the binary data string that identifies the register address used in SPMI triggering.
TRIGger:{A B}:BUS:B<x>:SPMI:SLAVEADDRESS:VALue	Sets or queries the binary data string that identifies the slave address used in SPMI triggering
TRIGger:{A B}:BUS:B<x>:SVID:COMMAND:RESPonse	Sets or queries the command response for SVID bus.
TRIGger:{A B}:BUS:B<x>:SVID:COMMAND:TYPE	Sets or queries the command type for SVID bus.
TRIGger:{A B}:BUS:B<x>:SVID:CONDition	Sets or queries the trigger condition for a SVID bus to trigger on.
TRIGger:{A B}:BUS:B<x>:SVID:ERROR:TYPE	Sets or queries the error type for SVID bus.
TRIGger:{A B}:BUS:B<x>:SVID:PARity:TYPE	Sets or queries the parity type for SVID bus.
TRIGger:{A B}:BUS:B<x>:SVID:PAYLoad:TYPE	Sets or queries the payload type for SVID bus.
TRIGger:{A B}:BUS:B<x>:SVID:PAYLoad:VALue	Sets the binary payload value for a SVID bus to trigger on.
TRIGger:{A B}:BUS:B<x>:SVID:SLAVE:ADDRESS	Sets the binary address of the slave for a SVID bus to trigger on.
TRIGger:{A B}:BUS:B<x>:USB:ADDRESS:HIVALue	Specifies the binary address string for the upper limit for inside-of-range and outside-of-range qualifiers for the USB trigger.
TRIGger:{A B}:BUS:B<x>:USB:ADDRESS:VALue	Specifies the binary address string to be used for USB trigger.
TRIGger:{A B}:BUS:B<x>:USB:CONDition	Specifies the trigger condition for the USB trigger.
TRIGger:{A B}:BUS:B<x>:USB:DATa:HIVALue	Specifies the binary data string for the upper limit for inside-of-range and outside-of-range qualifiers for the USB trigger when the trigger condition is DATAPacket.

Table 2-49: Trigger commands (cont.)

Command	Description
TRIGger:{A B}:BUS:B<x>:USB:DATA:OFFSet	Specifies the data offset in bytes to trigger on.
TRIGger:{A B}:BUS:B<x>:USB:DATA:QUALifier	Sets the qualifier to be used when triggering on a USB bus signal.
TRIGger:{A B}:BUS:B<x>:USB:DATA:SIZE	Specifies the number of contiguous data bytes to trigger on.
TRIGger:{A B}:BUS:B<x>:USB:DATA:TYPE	Specifies the data type for when the trigger condition is set to DATAPacket.
TRIGger:{A B}:BUS:B<x>:USB:DATA:VALue	Specifies the binary data string to be used for the USB trigger when the trigger condition is DATAPacket.
TRIGger:{A B}:BUS:B<x>:USB:ENDPoint:VALue	Specifies the binary endpoint string to be used for the USB trigger.
TRIGger:{A B}:BUS:B<x>:USB:ERRType	Specifies the error type to be used when the trigger condition is set to ERRor.
TRIGger:{A B}:BUS:B<x>:USB:HANDSHAKEType	Specifies the handshake type for the USB trigger.
TRIGger:{A B}:BUS:B<x>:USB:SOFFFRAMENUMber	Specifies the binary data string to be used for start of frame number, when the trigger condition is Token Packet and the token type is Start of Frame.
TRIGger:{A B}:BUS:B<x>:USB:SPECIALType	Specifies the packet ID (PID) for the special packet.
TRIGger:{A B}:BUS:B<x>:USB:SPLit:ET:VALue	When triggering on a high-speed USB split transaction, this command specifies the split transaction endpoint type value to trigger on.
TRIGger:{A B}:BUS:B<x>:USB:SPLit:HUB:VALue	When triggering on a high-speed USB split transaction, this command specifies the split transaction hub address value to trigger on.
TRIGger:{A B}:BUS:B<x>:USB:SPLit:PORT:VALue	When triggering on a high-speed USB split transaction, this command specifies the split transaction port address value to trigger on.
TRIGger:{A B}:BUS:B<x>:USB:SPLit:SC:VALue	When triggering on a high-speed USB split transaction, this command specifies whether to trigger on the start or complete phase of the split transaction, based on the Start/Complete bit field value.
TRIGger:{A B}:BUS:B<x>:USB:SPLit:SE:VALue	When triggering on a high-speed USB split transaction, this command specifies the split transaction start/end bit value to trigger on.
TRIGger:{A B}:BUS:B<x>:USB:TOKENType	Sets or queries the token type for the USB trigger.
TRIGger:{A B}:BUS:SOURce	Sets or queries the source for a bus trigger.
TRIGger:{A B}:EDGE:COUPLing	Sets or queries the type of coupling for the edge trigger.
TRIGger:{A B}:EDGE:SLOpe	Sets or queries the slope for the edge trigger.
TRIGger:{A B}:EDGE:SOURce	Sets or queries the source for the edge trigger.
TRIGger:{A B}:LEVel:CH<x>	Sets or queries the level for the trigger for the channel.
TRIGger:{A B}:LOGic:DELTime	Sets or queries the Logic trigger delta time value.
TRIGger:{A B}:LOGic:FUNction	Sets or queries the logical combination of the input channels for the logic trigger.
TRIGger:{A B}:LOGic:INPut:CLOCK:SOURce	Sets or queries the channel to use as the clock source.
TRIGger:{A B}:LOGic:POLarity	Sets or queries the polarity for the clock channel when Use Clock Edge is set to Yes for Logic trigger type.
TRIGger:{A B}:LOGic:USECLockedge	Sets whether or not Logic trigger type uses clock source.

Table 2-49: Trigger commands (cont.)

Command	Description
TRIGger:{A B}:LOGic:WHEn	Sets or queries the condition for generating a logic trigger with respect to the defined input pattern.
TRIGger:{A B}:LOGICPattern: {CH<x> CH<x>_D<x>}	Sets or queries the Logic Pattern that is used along with the Define Logic choice to determine when the logic trigger occurs.
TRIGger:{A B}:LOWerthreshold:CH<x>	Sets or queries CH<x> lower trigger level.
TRIGger:{A B}:PULSEWidth: LOGICQUALification	Sets whether or not to use logic qualification for a pulse width trigger.
TRIGger:{A B}:PULSEWidth:HIGHLimit	Sets or queries the upper limit to use, in seconds, when triggering on detection of a pulse whose duration is inside or outside a range of two values.
TRIGger:{A B}:PULSEWidth:LOWLimit	Sets or queries the lower limit to use, in seconds, when triggering on detection of a pulse whose duration is inside or outside a range of two values.
TRIGger:{A B}:PULSEWidth:POLarity	Sets or queries the polarity for a pulse width trigger.
TRIGger:{A B}:PULSEWidth:SOUrce	Sets or queries the source waveform for a pulse width trigger.
TRIGger:{A B}:PULSEWidth:WHEn	Sets or queries to trigger when a pulse is detected with a width (duration) that is less than, greater than, equal to, or unequal to a specified value.
TRIGger:{A B}:RUNT:LOGICQUALification	Sets or queries whether or not to use logic qualification for a runt trigger.
TRIGger:{A B}:RUNT:POLarity	Sets or queries the polarity for the runt trigger.
TRIGger:{A B}:RUNT:SOUrce	Sets or queries the source waveform for the runt trigger.
TRIGger:{A B}:RUNT:WHEn	Sets or queries the type of pulse width the trigger checks for when it detects a runt.
TRIGger:{A B}:RUNT:WIDth	Sets or queries the width, in seconds, for a runt trigger.
TRIGger:{A B}:SETHold:CLOCK:EDGE	Sets or queries the clock edge polarity for setup and hold triggering.
TRIGger:{A B}:SETHold:CLOCK:SOUrce	Sets or queries the clock source for the setup and hold triggering.
TRIGger:{A B}:SETHold:HOLDTime	Sets or queries the hold time for setup and hold violation triggering.
TRIGger:{A B}:SETHold:SETTime	Sets or queries the setup time for setup and hold violation triggering.
TRIGger:{A B}:SETHOLDLogicval: {CH<x> CH<x>_D<x>}	Sets or queries whether the specified channel is included (INCLude) or not included (DONTInclude) in the Setup & Hold trigger input configuration.
TRIGger:{A B}:TIMEOut: LOGICQUALification	Sets or queries whether or not to use logic qualification for a timeout trigger.
TRIGger:{A B}:TIMEOut:POLarity	When triggering using the TIMEOut trigger type, this commands specifies the polarity to be used.
TRIGger:{A B}:TIMEOut:SOUrce	When triggering using the TIMEOut trigger type, this command specifies the source.
TRIGger:{A B}:TIMEOut:TIME	When triggering using the TIMEOut trigger type, this command specifies the timeout time, in seconds.
TRIGger:{A B}:TRANsition:DELTatime	Sets or queries the delta time used in calculating the transition value for the transition trigger.
TRIGger:{A B}:TRANsition:POLarity	Sets or queries the polarity for the transition trigger.
TRIGger:{A B}:TRANsition:SOUrce	Sets or queries the source for a transition trigger.
TRIGger:{A B}:TRANsition:WHEn	Sets or queries whether to check for a transitioning signal that is faster or slower than the specified delta time.

Table 2-49: Trigger commands (cont.)

Command	Description
TRIGger:{A B}:TRANsition:LOGICQUALification	Sets or queries whether or not to use logic qualification for a transition trigger.
TRIGger:{A B}:TYPE	Sets or queries the type of A or B trigger.
TRIGger:{A B}:UPPerthreshold:CH<x>	Sets or queries the CH<x> upper trigger level.
TRIGger:{A B}:VIDeo:FIELD	This command specifies the trigger condition for a video trigger.
TRIGger:{A B}:VIDeo:LINE	This command specifies the line number value for a video line number trigger.
TRIGger:{A B}:VIDeo:POLarity	This command specifies the polarity for a video trigger.
TRIGger:{A B}:VIDeo:SOURce	This command specifies the source waveform for a video trigger.
TRIGger:{A B}:VIDeo:STANdard	This command specifies the standard/format for a video trigger.
TRIGger:{A B}:WINdow:CROSSIng	Sets or queries the window trigger threshold crossing of the selected trigger Source.
TRIGger:{A B}:WINdow:LOGICQUALification	Specifies whether or not to use logic qualification for a window trigger.
TRIGger:{A B}:WINdow:SOURce	Sets or queries the source for a window trigger.
TRIGger:{A B}:WINdow:WHEN	Sets or queries the window trigger event.
TRIGger:{A B}:WINdow:WIDth	Sets or queries the minimum width for a window violation.
TRIGger:{A B B}:RESET	Sets the A, B, or B Reset trigger level automatically to 50% of the range of the minimum and maximum values of the trigger input signal.
TRIGger:A:HOLDoff:BY	Sets or queries the type of holdoff for the A trigger.
TRIGger:A:HOLDoff:TIME	Sets or queries the A trigger holdoff time.
TRIGger:A:LOGICQUALification	Sets or queries the type of logic qualification to perform.
TRIGger:A:MODE	Sets or queries the A trigger mode.
TRIGger:AUXLevel	Sets or queries the Auxiliary Input voltage level to use for an edge trigger.
TRIGger:B:BY	Sets or queries B trigger time or event qualifiers.
TRIGger:B:EVENTS:COUNT	Sets or queries the number of events that must occur before the B trigger occurs.
TRIGger:B:RESET	Sets the B reset trigger level to 50%.
TRIGger:B:RESET:EDGE:COUPling	Sets or queries the trigger coupling for a sequential edge trigger reset when the Source is set to an analog channel.
TRIGger:B:RESET:EDGE:LEVel	Sets the voltage level to use for an Edge Reset trigger when triggering on an analog channel waveform.
TRIGger:B:RESET:EDGE:SLOpe	Sets or queries the trigger slope for a sequential edge trigger reset.
TRIGger:B:RESET:EDGE:SOURce	Sets or queries the trigger source for the A→B sequential edge trigger reset feature.
TRIGger:B:RESET:TIMEOut:TIME	Sets or queries the reset timer for a sequential time out trigger reset.
TRIGger:B:RESET:TYPE	Sets or queries the type of A→B sequential trigger reset.
TRIGger:B:STATE	Queries the current state of the triggering system.
TRIGger:B:Time	Sets or queries the B trigger delay time.
TRIGger:HYSTeresis:USER:STATe	Enables or disables user-defined trigger hysteresis.
TRIGger:HYSTeresis:USER:VALue	Sets or returns the height of the user-defined trigger hysteresis zone in volts.
TRIGger:STATE?	Queries the current state of the triggering system.
TRIGger:STATUs?	Queries the current status of the triggering system.

Table 2-49: Trigger commands (cont.)

Command	Description
VISual:AREA<x>:ASPEctratio	Sets or queries whether the aspect ratio of the specified Visual Trigger area is locked.
VISual:AREA<x>:FLIP:HORizontal	Flips the specified Visual Trigger area horizontally around its center point.
VISual:AREA<x>:FLIP:VERTical	Flips the specified Visual Trigger area vertically around its center point.
VISual:AREA<x>:HEIGHt	Sets or queries the height of the specified Visual Trigger area.
VISual:AREA<x>:HITType	Sets or queries the area hit logic true condition for the specified Visual Trigger area.
VISual:AREA<x>:RESET	Sets the specified Visual Trigger area shape to a default-sized triangle.
VISual:AREA<x>:ROTAion	Sets or queries the rotation angle of the specified Visual Trigger area.
VISual:AREA<x>:SHAPE	Sets or queries the current shape of the area.
VISual:AREA<x>:SOUrce	Sets or queries the signal source for the specified Visual Trigger area.
VISual:AREA<x>:VERTICES	Sets or queries the X and Y vertex coordinate values for all vertices of the specified Visual Trigger area.
VISual:AREA<x>:WIDTH	Sets or queries the width of the specified Visual Trigger area.
VISual:AREA<x>:XPOSition	Sets or queries the horizontal (X-axis) center position of the specified Visual Trigger area.
VISual:AREA<x>:YPOSition	Sets or queries the vertical (Y-axis) center position of the specified Visual Trigger area.
VISual:DELETEALL	Deletes all Visual Trigger areas.
VISual:ENABle	Sets or queries the status (on or off) of the Visual Trigger mode.
VISual:EQUation	Sets or queries the Visual Trigger area combination logic equation.
VISual:SHOWAReas	Shows or hides all Visual Trigger areas.
VISual:SHOWCRiteria	Sets or queries display of the area names and hit criteria for all visual trigger areas.
VISual:SHOWEQuation	Shows or hides the Visual Trigger area combination logic equation.

Vertical command group

Use the commands in the Vertical Command Group to control the vertical setup of all live (channel) waveforms for acquisition and to control the display of channel, reference, and math waveforms. Analog channels are available when analog probes are attached to FlexChannel inputs.

You can replace VOLts with SCAle in the vertical commands. This provides program compatibility with earlier models of Tektronix instruments.

Table 2-50: Vertical commands

Command	Description
CH<x>?	Returns vertical parameters for the specified channel.
CH<x>:BANdwidth	Sets or queries the bandwidth of the specified channel.
CH<x>:BANdwidth:FILTer:OPTIMIZAtion	Sets or queries the channel filter shape.
CH<x>:CLIPping?	Queries whether the specified channel's input signal is clipping (exceeding) the channel vertical scale setting.
CH<x>:COUPling	Sets or queries the coupling setting for the specified channel.
CH<x>:DESKew	Sets or queries the deskew time for the specified channel.
CH<x>:DITHerRange	Sets or queries the amount of dithering for the specified analog channel.
CH<x>:INVert	Sets or queries invert state of the specified channel.
CH<x>:LABel:COLor	Sets or queries the color of the specified channel label.
CH<x>:LABel:FONT:BOLD	Sets or queries the bold state of the specified channel label.
CH<x>:LABel:FONT:ITALic	Sets or queries the italic state of the specified channel label.
CH<x>:LABel:FONT:SIZE	Sets or queries the font size of the specified channel label.
CH<x>:LABel:FONT:TYPE	Sets or queries the font type of the specified channel label.
CH<x>:LABel:FONT:UNDERline	Sets or queries the underline state of the specified channel label.
CH<x>:LABel:NAME	Defines or queries the label for the channel waveform.
CH<x>:LABel:XPOS	Sets or queries the X display coordinate for the channel waveform label.
CH<x>:LABel:YPOS	Sets or queries the Y display coordinate for the channel waveform label.
CH<x>:OFFSet	Sets or queries the channel offset.
CH<x>:POSition	Sets or queries the vertical position for the specified analog channel.
CH<x>:PRObe?	Returns all information concerning the probe that is attached to the specified channel.
CH<x>:PRObe:AUTOZero	Autozeros the probe attached to the specified channel.
CH<x>:PRObe:COMPensate	Starts the compensation procedure for passive probes (TPP).
CH<x>:PRObe:DEGAUSS	Starts a degauss cycle of the probe attached to the specified channel.
CH<x>:PRObe:DEGAUSS:STATE?	Queries whether the probe attached to the specified channel requires a degauss operation.
CH<x>:PRObe:FORCEDRange	Sets the attached probe to its default range, or it queries the default range of the probe.
CH<x>:PRObe:GAIN?	Returns the gain of the probe that is attached to the specified channel.

Table 2-50: Vertical commands (cont.)

Command	Description
CH<x>:PRObe:ID?	Returns the type and serial number of the probe that is attached to the specified channel.
CH<x>:PRObe:ID:SERnumber?	Returns the serial number of the probe that is attached to the specified channel.
CH<x>:PRObe:ID:TYPe?	Returns the type of probe that is attached to the specified channel.
CH<x>:PRObe:INPUtMode	Sets or queries the input mode of the probe that is attached to the specified channel.
CH<x>:PRObe:INPUtMode:AOffSet	Sets or queries the A mode offset value of the probe that is attached to the specified channel.
CH<x>:PRObe:INPUtMode:BOFFSet	Sets or queries the B mode offset value of the probe that is attached to the specified channel.
CH<x>:PRObe:INPUtMode:COFFSet	Sets or queries the common mode offset value of the probe that is attached to the specified channel.
CH<x>:PRObe:INPUtMode:DOFFSet	Sets or queries the differential mode offset value of the probe that is attached to the specified channel.
CH<x>:PRObe:RESistance?	Queries the resistance of the probe that is attached to the specified channel.
CH<x>:PRObe:SELFCal	Initiates self-calibration on the probe.
CH<x>:PRObe:SELFCal:State?	Queries the self-calibration state.
CH<x>:PRObe:SET	Sets or queries aspects of probe accessory user interfaces, for example probe attenuation factors.
CH<x>:PRObe:STATus?	Queries the probe unsigned integer error value.
CH<x>:PRObe:UNIts?	Returns the units of the probe that is attached to the specified channel.
CH<x>:PROBECal?	Returns the probe calibration status.
CH<x>:PROBECOntrol	Sets or queries the probe range.
CH<x>:PROBEFunc:EXTAtten	Sets the attenuation value for the specified channel to the specified scale factor. Or queries the user-specified attenuation.
CH<x>:PROBEFunc:EXTDBatten	Sets the attenuation value for the specified channel to the specified value in decibels. Or queries the user-specified attenuation in decibels.
CH<x>:PROBEFunc:EXTUnits	Sets or queries the alternate unit for the external attenuator of the specified channel.
CH<x>:PROBEFunc:EXTUnits:STATE	Sets or queries the custom units enable state for the specified channel.
CH<x>:PROBETYPE?	Queries the probe type connected to a specified channel
CH<x>:SCAlE	Sets or returns the vertical scale for the specified analog channel.
CH<x>:SCALERATIo	Sets or returns the scale ratio for the specified analog channel.
CH<x>:TERmination	Sets channel input termination.
CH<x>:VTERm:BIAS	Sets or queries the termination voltage for the specified channel (if control is available).
CONFIguration:ANALOG:BANDWIdth?	Queries the maximum licensed bandwidth of the instrument.

Table 2-50: Vertical commands (cont.)

Command	Description
REF:ADDNew	Adds the specified reference. Argument is of the form "REF<NR1> ", where NR1 ≥ 1.
REF:DELeTe	Deletes the specified reference.
REF:REF<x>:DESKew	Sets or queries the deskew time for the specified reference.
REF:REF<x>:LABel:COLor	Sets or queries the color of the specified ref label.
REF:REF<x>:LABel:FONT:BOLD	Sets or queries the bold state of the specified reference label.
REF:REF<x>:LABel:FONT:ITALic	Sets or queries the italic state of the specified reference label.
REF:REF<x>:LABel:FONT:SIZE	Sets or queries the font size of the specified reference label.
REF:REF<x>:LABel:FONT:TYPE	Sets or queries the font type of the specified reference label.
REF:REF<x>:LABel:FONT:UNDERline	Sets or queries the underline state of the specified reference label.
REF:REF<x>:LABel:NAME	Sets or queries the label of the designated waveform.
REF:REF<x>:LABel:XPOS	Sets or queries the position of the reference waveform label on the X axis.
REF:REF<x>:LABel:YPOS	Sets or queries the position of the reference waveform label on the Y axis.
REF:LIST?	Lists all currently defined references.
REF:REF<x>:SOUrce	Sets or queries the filename used by the given reference.
SELEct:CH<x>	Turns on or off the specified waveform or returns whether the specified channel is on or off
VERTical:DESKew:FROM:CUSTOMPROPagation	Sets or queries a target (FROM) delay that you can specify when the propagation delay of the target (FROM) probe used for deskew cannot be detected automatically.
VERTical:DESKew:STATIC	Sets or queries the target channel for performing channel-to-channel deskew adjustment.
VERTical:DESKew:TO:CUSTOMPROPagation	Sets or queries a target (TO) delay that can be specified by the user when the propagation delay of the target (TO) probe used for deskew cannot be detected automatically.
VERTical:DESKew:FROM:SOUrce	Sets or queries the source channel for performing channel-to-channel deskew adjustment.
VERTical:DESKew:TO:SOUrce	Sets or queries the target channel for performing channel-to-channel deskew adjustment.

Waveform Transfer command group

Use the commands in the Waveform Transfer Command Group to transfer waveform data points from the instrument. Waveform data points are a collection of values that define a waveform. One data value usually represents one data point in the waveform record. When working with envelope waveforms, each data value is either the minimum or maximum of a min/max pair.

Before you transfer waveform data, you must specify the data format, record length, and waveform source.

Data formats. Acquired waveform data uses eight or more bits to represent each data point. The number of bits used depends on the acquisition mode specified when you acquired the data. Data acquired in SAMple or ENVELOpe mode uses eight bits per waveform data point. Data acquired in AVERage mode uses up to 14 bits per point.

The instrument can transfer waveform data in either ASCII or binary format. You specify the format with the DATA:ENCdg command. The instrument uses signed, 4 byte integers and floating point values; it does not support unsigned floating point values.

ASCII data is represented by signed integer or floating point values. An example ASCII waveform data string can look like this:

```
CURVE<space>-110,-109,-110,-110,-109,-107,  
-109,-107,-106,-105,-103,-100,-97,-90,-84,-80
```

Use ASCII to obtain more readable and easier to format output than binary. However, ASCII can require more bytes to send the same values than it does with binary. This can reduce transmission speeds.

Binary data can be represented by signed integer or floating point values. The range of the values depends on the byte width specified. When the byte width is one, signed integer data ranges from -128 to 127, and positive integer values range from 0 to 255. When the byte width is two, the values range from -32768 to 32767. When a MATH (or REF that came from a MATH) is used, 32-bit floating point values are used that are four bytes in width.

The defined binary formats specify the order in which the bytes are transferred. The following are the four binary formats:

- RIBinary specifies signed integer data-point representation with the most significant byte transferred first.
- SRIBinary is the same as RIBinary except that the byte order is swapped, meaning that the least significant byte is transferred first. This format is useful when transferring data to PCs.
- RFBinary specifies floating point data-point representation with the most significant byte transferred first.
- SRFBinary is the same as RFBinary except that the byte order is swapped, meaning that the least significant byte is transferred first. This format is useful when transferring data to PCs.

Waveform data and record lengths. You can transfer multiple points for each waveform record. You can transfer a portion of the waveform or you can transfer the entire record. You can use the `DATA:START` and `DATA:STOP` commands to specify the first and last data points of the waveform record.

When transferring data from the instrument, you must specify the first and last data points in the waveform record. Setting `DATA:START` to 1 and `DATA:STOP` to the record length will always return the entire waveform.

Waveform data locations and memory allocation. The `DATA:SOURce` command specifies the waveform source when transferring a waveform from the instrument.

Waveform preamble. Each waveform that you transfer has an associated waveform preamble that contains information such as the horizontal scale, the vertical scale, and other settings in effect when the waveform was created. Refer to the individual `WFMOupre?` commands for more information.

Scaling waveform data. Once you transfer the waveform data to the controller, you can convert the data points into voltage values for analysis using information from the waveform preamble.

Transferring waveform data from the instrument.

You can transfer waveforms from the instrument to an external controller using the following sequence:

1. Select the waveform source(s) using `DATA:SOURce`.
2. Specify the waveform data format using `DATA:ENCdg`.
3. Specify the number of bytes per data point using `WFMOutpre:BYT_Nr`.

NOTE. *MATH waveforms (and REF waveforms that came from a MATH) are always set to four bytes.*

4. Specify the portion of the waveform that you want to transfer using `DATA:START` and `DATA:STOP`.
5. Transfer waveform preamble information using `WFMOutpre`.
6. Transfer waveform data from the instrument using `CURVe?`.

Table 2-51: Waveform Transfer commands

Command	Description
<code>CURVe?</code>	The query format transfers waveform data from instrument specified by the <code>DATA:SOURce</code> command.
<code>CURVEStream?</code>	Continuously transfers waveform data from the instrument as it is acquired.
<code>DATA</code>	Sets the format and location of the waveform data that is transferred with the <code>CURVe</code> Command. Or queries the format and location of the waveform data that is transferred with the <code>CURVe?</code> command.
<code>DATA:ENCdg</code>	Sets or queries the format of outgoing waveform data.
<code>DATA:FRAMESTART</code>	Sets or queries the starting acquisition for waveform transfer using the <code>CURVe?</code> query.
<code>DATA:FRAMESTOP</code>	Sets or queries the last acquisition for waveform transfer using the <code>CURVe?</code> query.
<code>DATA:MODE</code>	Sets or returns the mode for waveform data.
<code>DATA:RESample</code>	Sets or queries the resampling of outgoing waveform data.
<code>DATA:SOURce</code>	Sets or queries the location of waveform data transferred from the instrument.
<code>DATA:SOURce:AVAILable?</code>	Returns a list of enumerations representing the source waveforms that are currently available for <code>:CURVe?</code> queries.
<code>DATA:START</code>	Sets or queries the starting point in waveform transfer.
<code>DATA:STOP</code>	Sets or queries the ending data point in waveform transfer.
<code>DATA:WIDTH</code>	Specifies the width, in bytes per point, for waveform data transferred from the instrument via the <code>CURVe?</code> query.
<code>HSInterface:PORT</code>	Sets or queries the port that the high speed interface listens on.
<code>HSInterface:STATe</code>	Enables or disables the high speed interface.

Table 2-51: Waveform Transfer commands (cont.)

Command	Description
HSInterface:TIMEout	Sets or queries the timeout for the high speed interface.
WAVFrm?	Returns WFMOUtpre? and CURVe? data for the waveform as specified by the DATA:SOURce command.
WFMOUtpre?	Returns the waveform formatting data for the waveform specified by the DATA:SOURce command.
WFMOUtpre:ASC_Fmt?	Returns the format for ASCII data transferred from the instrument.
WFMOUtpre:BIT_Nr	Sets or queries the number of bits per waveform point that outgoing waveforms contain.
WFMOUtpre:BN_Fmt	Sets or queries the format of binary data for the waveform.
WFMOUtpre:BYT_Nr	Sets or queries the data width for the waveform.
WFMOUtpre:BYT_Or	Sets or queries the byte order of waveform points.
WFMOUtpre:CENTERFREQuency?	Returns the center frequency of the outgoing waveform.
WFMOUtpre:DOMain?	Returns the domain of the outgoing waveform.
WFMOUtpre:ENCdg	Sets or queries the type of encoding for outgoing waveforms.
WFMOUtpre:NR_Pt?	Returns the number of points for the waveform transmitted in response to a CURVe? query.
WFMOUtpre:PT_Fmt?	Returns the point format for the waveform.
WFMOUtpre:PT_Off?	Returns the trigger point relative to DATA:START for the waveform.
WFMOUtpre:PT_ORder?	Returns whether the source waveform is Fast Acquisition.
WFMOUtpre:RESample	Sets or queries the resampling of outgoing waveform data.
WFMOUtpre:SPAN?	Returns the frequency span of the outgoing waveform.
WFMOUtpre:WFId?	Returns a string describing the acquisition parameters for the waveform.
WFMOUtpre:WFMTYPE?	Returns the type of the outgoing waveform.
WFMOUtpre:XINcr?	Returns the horizontal sampling interval.
WFMOUtpre:XUNit?	Returns the horizontal units for the waveform.
WFMOUtpre:XZEro?	Returns the (sub-sample) time between the trigger sample and the occurrence of the actual waveform trigger.
WFMOUtpre:YOFF?	Returns the vertical offset in digitizing levels for the waveform.
WFMOUtpre:YUNit?	Returns the vertical units for the waveform.
WFMOUtpre:YZEro?	Returns the vertical offset for the waveform.

Wide Band Gap Analysis command group

Table 2-52: WBG-DPT commands

Command	Description
DISplay:MEAS<x>:NAVigate:TYPE	Sets or returns the badge navigation type for WBG measurements.
MEASUrement:AUTOset	Performs a specified autose.

Table 2-52: WBG-DPT commands (cont.)

Command	Description
MEASUrement:MEAS<x>:BVOLTage	Sets or returns the bias voltage for WBG measurement.
MEASUrement:MEAS<x>:EEQUal	Turns on or off the edge qualifier settings as input waveform to measurement.
MEASUrement:MEAS<x>:EINDuctance	Sets or returns the effective inductance for WBG measurement.
MEASUrement:MEAS<x>:FORDer	Sets or returns the differential filter order for WBG measurement.
MEASUrement:MEAS<x>:LTYPe	Sets or returns the value for the level type as auto or custom.
MEASUrement:MEAS<x>:LUNITs	Sets or returns the value for the level units as percentage or absolute.
MEASUrement:MEAS<x>:MAXCUrrent	Sets or returns the maximum current.
MEASUrement:MEAS<x>:MAXG<x>Voltage	Sets or returns the maximum gate voltage 1 or 2 value for Tdt measurement.
MEASUrement:MEAS<x>:MAXGVoltage	Sets or returns the maximum gate voltage.
MEASUrement:MEAS<x>:MAXVoltage	Sets or queries the maximum input voltage.
MEASUrement:MEAS<x>:PCOUNT	Sets or returns number of pulses.
MEASUrement:MEAS<x>:PREGion	Sets or returns pulse region for a measurement.
MEASUrement:MEAS<x>:PRESistance	Sets or returns the probe resistance for WBG measurement .
MEASUrement:MEAS<x>:PWIDth	Sets or returns pulse width.
MEASUrement:MEAS<x>:REDGe	Turns on or off the Refine edge on qualifier.
MEASUrement:MEAS<x>:SLABs	Sets or returns the value for the start level in absolute.
MEASUrement:MEAS<x>:SLPct	Sets or returns the value for the start level in percentage.
MEASUrement:MEAS<x>:SLTYpe	Sets or returns the start level source type.
MEASUrement:MEAS<x>:SSDIRECTION	Sets or returns the start search direction for measurement.
MEASUrement:MEAS<x>:STLABs	Sets or returns the value for the stop level in absolute.
MEASUrement:MEAS<x>:STLPct	Sets or returns the value for the stop level in percentage.
MEASUrement:MEAS<x>:STLTYpe	Sets or returns the stop level source type.
MEASUrement:MEAS<x>:STSDIRECTION	Sets or returns the stop search direction for measurement.
MEASUrement:MEAS<x>:WBG:AFGaddress	Sets or returns the AFG address of external AFG connected for WBG measurement.
MEASUrement:MEAS<x>:WBG:AFGSetup	Executes AFG test connection or once AFG connection succeeded, Run will setup configuration on connected AFG
MEASUrement:MEAS<x>:WBG:CSTatus?	Returns the AFG test connection status.
MEASUrement:MEAS<x>:WBG:GTYPe	Sets or returns the generator type for WBG measurements.
MEASUrement:MEAS<x>:WBG:HIGH	Sets or returns the high voltage value of AFG for WBG measurements.
MEASUrement:MEAS<x>:WBG:LOAD	Sets or returns the load type of AFG for WBG measurements.
MEASUrement:MEAS<x>:WBG:LOW	Sets or returns the low voltage value of AFG for WBG measurements.
MEASUrement:MEAS<x>:WBG:NPULs	Sets or returns the number of pulse of AFG for WBG measurements.
MEASUrement:MEAS<x>:WBG:PG<x>Val	Sets or returns the pulse gap of AFG for WBG measurements.
MEASUrement:MEAS<x>:WBG:PW<x>Val	Sets or returns the pulse width of AFG for WBG measurements.
MEASUrement:MEAS<x>:WBG:TIMer	Sets or returns the trigger interval of AFG for WBG measurements.
MEASUrement:WBG:PDEVice	Sets or returns the type of the Power device.
PLOT:PLOT<x>:PREGion	Sets or returns the pulse region for recovery plot.

Zoom command group

Zoom commands let you expand and position the waveform display horizontally and vertically, without changing the time base or vertical settings.

NOTE. *Zoom commands are available once a view has been added.*

Table 2-53: Zoom commands

Command	Description
DISplay:MATHFFTView<x>:ZOOM:XAXIS:FROM	Sets or queries the start of the zoom x axis in the specified plot view.
DISplay:MATHFFTView<x>:ZOOM:XAXIS:TO	Sets or queries the end of the zoom x axis in the specified plot view.
DISplay:MATHFFTView<x>:ZOOM:YAXIS:FROM	Sets or queries the start of the zoom y axis in the specified plot view.
DISplay:MATHFFTView<x>:ZOOM:YAXIS:TO	Sets or queries the end of the zoom y axis in the specified plot view.
DISplay:PLOTView<x>:ZOOM:XAXIS:FROM	Sets or queries the start of the zoom x-axis in the specified plot view.
DISplay:PLOTView<x>:ZOOM:XAXIS:TO	Sets or queries the end of the zoom x-axis in the specified plot view.
DISplay:PLOTView<x>:ZOOM:YAXIS:FROM	Sets or queries the start of the zoom y-axis in the specified plot view.
DISplay:PLOTView<x>:ZOOM:YAXIS:TO	Sets or queries the end of the zoom y-axis in the specified plot view.
DISplay:REFFFTView<x>:ZOOM:XAXIS:FROM	Sets or returns the left edge of the zoom x-axis in the specified plot view.
DISplay:REFFFTView<x>:ZOOM:XAXIS:TO	Sets or queries the right edge of the zoom x-axis in the specified plot view.
DISplay:REFFFTView<x>:ZOOM:YAXIS:FROM	Sets or queries the bottom value of the zoom y-axis in the specified plot view.
DISplay:REFFFTView<x>:ZOOM:YAXIS:TO	Sets or queries the top value of the zoom y-axis in the specified plot view.
DISplay:WAVEView<x>:ZOOM:ZOOM<x>:HORizontal:POSition	Sets or queries the horizontal zoom position (of the specified zoom in the specified Waveform View) of the zoomed waveform or zoom waveform in the display, around which the zoom waveform displays.
DISplay:WAVEView<x>:ZOOM:ZOOM<x>:HORizontal:SCALe	Sets or queries the zoom horizontal scale factor, of the specified zoom in the specified Waveform View, in which the zoom waveform is displayed.
DISplay:WAVEView<x>:ZOOM:ZOOM<x>:HORizontal:WINSCALe	Sets or queries the zoom window horizontal scale in the specified Waveform View.
DISplay:WAVEView<x>:ZOOM:ZOOM<x>:STATe	Sets or queries the specified zoom in the specified Waveform View on or off.
DISplay:WAVEView<x>:ZOOM:ZOOM<x>:VERTical:POSition	Sets or queries the vertical position of the specified zoom in the specified Waveform View, in which the zoom waveform is displayed.
DISplay:WAVEView<x>:ZOOM:ZOOM<x>:VERTical:SCALe	Sets or queries the zoom vertical scale factor of the specified waveform for the specified zoom in the specified Waveform View.
DISplay:WAVEView<x>:ZOOM?	Queries the zoom parameters of the specified Waveform View.
DISplay:WAVEView<x>:ZOOM:ZOOM<x>?	Queries the zoom parameters of the specified zoom in the specified Waveform View.

Commands listed in alphabetical order

NOTE. Some of the following commands may not be available on your instrument model. Also, some of the following commands are only available if your instrument has the associated option installed.

ACQUIRE? (Query Only)

Queries the current acquisition state.

Group	Acquisition
Syntax	ACQUIRE?
Examples	ACQUIRE? might return :ACQUIRE:STATE 1;NUMENV INFINITE;STOPAFTER RUNSTOP;SEQUENCE:MODE NUMACQS;NUMSEQUENCE 1;:ACQUIRE:NUMAVG 16;FASTACQ:STATE 0;PALETTE TEMPERATURE;:ACQUIRE:MODE SAMPLE;SAMPLINGMODE IT.

ACQUIRE:FASTACQ:PALETTE

Sets or queries the waveform grading for fast acquisition mode.

Group	Acquisition
Syntax	ACQUIRE:FASTACQ:PALETTE {NORMAL TEMPERATURE SPECTRAL INVERTED} ACQUIRE:FASTACQ:PALETTE?
Arguments	<p>NORMAL colors traces according to their channel.</p> <p>TEMPERATURE colors all traces using a multicolored palette, where “intensity” is represented by hue; blue for least frequently hit, red for most frequently hit. All traces share this palette. This is the default color palette.</p> <p>SPECTRAL colors all traces using a multicolored palette, where “intensity” is represented by hue; red for least frequently hit, blue for most frequently hit. All traces share this palette.</p> <p>INVERTED Inverts the normal display hues and lightness levels based on sample intensity. The areas of lowest sample density appear the brightest, while the areas with the highest sample density appear the darkest.</p>

Examples ACQUIRE:FASTACQ:PALETTE TEMPERATURE sets the acquisition fast acquisition palette to Temperature.
ACQUIRE:FASTACQ:PALETTE? might return :ACQUIRE:FASTACQ:PALETTE TEMPERATURE.

ACQUIRE:FASTACQ:STATE

Sets or queries the state of fast acquisition mode.

Group Acquisition

Syntax ACQUIRE:FASTACQ:STATE {<NR1>|OFF|ON}
ACQUIRE:FASTACQ:STATE?

Arguments <NR1> = 0 disables FASTACQ; any other value turns this feature on.
OFF disables the FASTACQ feature.
ON enables the FASTACQ feature.

Examples ACQUIRE:FASTACQ:STATE ON turns on fast acquisition mode.
ACQUIRE:FASTACQ:STATE? might return :ACQUIRE:FASTACQ:STATE 0 indicating that fast acquisition mode is off.

ACQUIRE:FASTAVERAGE:LIMIT

This command limits the number of averages performed in hardware at 16-bit resolution. The max value is 10240, but due to hardware limitations, it is usually best to use a value less than 256. This setting must be a divisor of the STOPafter count.

Group Acquisition

Syntax ACQUIRE:FASTAVERAGE:LIMIT <NR1>
ACQUIRE:FASTAVERAGE:LIMIT?

Arguments <NR1> is the batch size to set. Must be between 1 and 10240.

Examples ACQUIRE:FASTAVERAGE:LIMIT 256 sets the batch size to 256 waveforms.

ACQUIRE:FASTAVERAGE:LIMIT? might return
:ACQUIRE:FASTAVERAGE:LIMIT 256, indicating the batch size is currently 256 waveforms.

ACQUIRE:FASTAVERAGE:STATE

This command sets or returns the state of HW accelerated averaging. When fast averaging is enabled, batches of waveforms are accumulated in the hardware with 16-bit integer resolution. The accumulated data is uploaded to software, where additional averaging occurs in a floating-point math waveform. Each time data is uploaded from HW to SW, a programmable amount of dithering may be added to mitigate fine scale non-linearity in the ADC converter.

Group Acquisition

Syntax ACQUIRE:FASTAVERAGE:STATE {0|1|OFF|ON}
ACQUIRE:FASTAVERAGE:STATE?

Arguments 0 disables fast average mode.
1 enables fast average mode. Any number value other than 0 turns this feature on.
OFF disables fast average mode.
ON enables fast average mode.

Examples ACQUIRE:FASTAVERAGE:STATE 256 sets the batch size to 256 waveforms.

ACQUIRE:FASTAVERAGE:STATE? might return
:ACQUIRE:FASTAVERAGE:STATE 0, indicating fast average mode is off.

ACQUIRE:FASTAVERAGE:STOPAFTER

This command limits the total number of averages that will be accumulated. When the STOPAFTER count is achieved, acquisitions will stop. This setting must be a multiple of the LIMIT count.

Group Acquisition

Syntax ACQUIRE:FASTAVERAGE:STOPAFTER <NR1>
ACQUIRE:FASTAVERAGE:STOPAFTER?

Arguments <NR1> is the number of averages to accumulate. Must be between 1 and 1000000.

Examples ACQUIRE:FASTAVERAGE:STOPAFTER 10000 sets the number of averages to accumulate to 10000.

ACQUIRE:FASTAVERAGE:STOPAFTER? might return :ACQUIRE:FASTAVERAGE:STOPAFTER 10000, which assuming a batch size of 250 HW averaged waveforms (LIMit=250) would stop acquisitions after 40 batches have been uploaded and accumulated into the floating point math waveform.

ACQUIRE:MAXSAMPLERATE? (Query Only)

This query returns the maximum real-time sample rate.

Group Acquisition

Syntax ACQUIRE:MAXSAMPLERATE?

Examples ACQUIRE:MAXSAMPLERATE? might return :ACQUIRE:MAXSAMPLERATE 6.25E9.

ACQUIRE:MODE

This command sets or queries the selected acquisition mode of the instrument.

Group Acquisition

Syntax ACQUIRE:MODE {SAMPLE|PEAKdetect|HIRES|AVERAGE|ENVELOPE}
ACQUIRE:MODE?

Related Commands [ACQUIRE:NUMAVG](#)
[CURVE?](#)

Arguments SAMPLE specifies that the displayed data point value is the first sampled value that is taken during the acquisition interval. The [CURVE?](#) query, depending on sample rate, will result in either 8 bit or 16 bit data. In case of 8 bit data, the precision is also 8 bit. However, in case of 16 bit data, 12 bit precision data is zero padded in lower 4 bits. SAMPLE is the default mode.

PEAKdetect specifies the display of high-low range of the samples taken from a single waveform acquisition. The high-low range is displayed as a vertical column that extends from the highest to the lowest value sampled during the acquisition interval. **PEAKdetect** mode can reveal the presence of aliasing or narrow spikes.

HIRES specifies Hi Res mode where the displayed data point value is the average of all the samples taken during the acquisition interval. This is a form of averaging, where the average comes from a single waveform acquisition. The number of samples taken during the acquisition interval determines the number of data values that compose the average.

AVERAGE specifies averaging mode, in which the resulting waveform shows an average of **SAMPLE** data points from several separate waveform acquisitions. The instrument processes the number of waveforms you specify into the acquired waveform, creating a running exponential average of the input signal. The number of waveform acquisitions that go into making up the average waveform is set or queried using the **ACQUIRE:NUMAVg** command.

ENVELOPE specifies envelope mode, where the resulting waveform displays the range of **PEAKdetect** from continued waveform acquisitions.

Examples **ACQUIRE:MODE ENVELOPE** sets the acquisition mode to display a waveform that is an envelope of many individual waveform acquisitions.

ACQUIRE:MODE? might return **:ACQUIRE:MODE AVERAGE**, indicating that the displayed waveform is the average of the specified number of waveform acquisitions.

ACQUIRE:NUMACq? (Query Only)

This query-only command returns the number of waveform acquisitions that have occurred since the last time acquisitions were stopped.

Group Acquisition

Syntax **ACQUIRE:NUMACq?**

Related Commands [ACQUIRE:STATE](#)

Examples **ACQUIRE:NUMACQ?** might return **:ACQUIRE:NUMACQ 350**, indicating that 350 acquisitions have occurred since executing an **ACQUIRE:STATE RUN** command.

ACQuire:NUMAVg

This command sets or queries the number of waveform acquisitions that make up an averaged waveform. Ranges from 2 to 10240.

Group Acquisition

Syntax ACQuire:NUMAVg <NR1>
ACQuire:NUMAVg?

Related Commands [ACQuire:MODE](#)

Arguments <NR1> is the number of waveform acquisitions to average.

Examples ACQUIRE:NUMAVG 10 specifies that 10 waveform averages will be performed before exponential averaging starts.

ACQUIRE:NUMAVG? might return :ACQUIRE:NUMAVG 75, indicating that there are 75 acquisitions specified for averaging.

ACQuire:NUMFRAMESACQuired? (Query Only)

This query returns the number of FastFrame frames which have been acquired.

Group Horizontal

Syntax ACQuire:NUMFRAMESACQuired?

Examples ACQUIRE:NUMFRAMESACQUIRED? might return
:ACQUIRE:NUMFRAMESACQUIRED 4 indicating 4 frames have been acquired.

ACQuire:SEQuence:CURrent? (Query Only)

In single sequence acquisition mode, this query returns the number of acquisitions or measurements in the sequence completed so far.

Group Acquisition

Syntax ACQuire:SEquence:CURrent?

Examples ACQUIRE:SEQUENCE:CURRENT? might return :ACQUIRE:SEQUENCE:CURRENT 5.

ACQuire:SEquence:MODE

In single sequence acquisition, the single sequence stop after count is based on the number of acquisitions.

Group Acquisition

Syntax ACQuire:SEquence:MODE NUMACQS

Arguments NUMACQS is the number of acquisitions.

Examples ACQUIRE:SEQUENCE:MODE? might return :ACQUIRE:SEQUENCE:MODE NUMACQS indicating the acquisition sequence mode is set to NUMACQS.

ACQuire:SEquence:NUMSEquence

In single sequence acquisition mode, specify the number of acquisitions or measurements that comprise the sequence. The default is 1.

Group Acquisition

Syntax ACQuire:SEquence:NUMSEquence <NR1>
ACQuire:SEquence:NUMSEquence?

Arguments <NR1> is the number of acquisitions or measurements that comprise the sequence.

Examples ACQUIRE:SEQUENCE:NUMSEQUENCE 2 sets the number of acquisition in a sequence is set to 2.

ACQUIRE:SEQUENCE:NUMSEQUENCE? might return
ACQUIRE:SEQUENCE:NUMSEQUENCE 1, indicating that the number of acquisition in a sequence is set to 1.

ACQUIRE:STATE

This command starts or stops acquisitions. When state is set to ON or RUN, a new acquisition will be started. If the last acquisition was a single acquisition sequence, a new single sequence acquisition will be started. If the last acquisition was continuous, a new continuous acquisition will be started.

If RUN is issued in the middle of completing a single sequence acquisition (for example, averaging or enveloping), the acquisition sequence is restarted, and any accumulated data is discarded. Also, the instrument resets the number of acquisitions. If the RUN argument is issued while in continuous mode, a reset occurs and acquired data continues to acquire.

If acquire:stopafter is SEQUENCE, this command leaves the instrument in single sequence, unlike the run/stop button which takes the instrument out of single sequence.

Group Acquisition

Syntax ACQUIRE:STATE {<NR1>|OFF|ON|RUN|STOP}
ACQUIRE:STATE?

Related Commands [ACQUIRE:STOPAfter](#)

Arguments <NR1> = 0 stops acquisitions; any other value starts acquisitions.
OFF stops acquisitions.
ON starts acquisitions.
RUN starts acquisitions.
STOP stops acquisitions.

Examples ACQUIRE:STATE RUN starts the acquisition of waveform data and resets the count of the number of acquisitions.
ACQUIRE:STATE? might return :ACQUIRE:STATE 0, indicating that the acquisition is stopped.

ACQUIRE:STOPAfter

This command sets or queries whether the instrument continually acquires acquisitions or acquires a single sequence. Pressing SINGLE on the front panel button is equivalent to sending these commands: ACQUIRE:STOPAFTER SEQUENCE and ACQUIRE:STATE 1.

Group	Acquisition
Syntax	ACQUIRE:STOPAfter {RUNSTOP SEQUENCE} ACQUIRE:STOPAfter?
Related Commands	ACQUIRE:STATE
Arguments	RUNSTOP specifies that the instrument will continually acquire data, if ACQUIRE:STATE is turned on. SEQUENCE specifies that the next acquisition will be a single-sequence acquisition.
Examples	ACQUIRE:STOPAFTER RUNSTOP sets the instrument to continually acquire data. ACQUIRE:STOPAFTER? might return :ACQUIRE:STOPAFTER SEQUENCE, indicating that the next acquisition the instrument makes will be of the single-sequence type.

ACTONEvent:ENable

This command enables or disables actions on event (AOE). If AOE saves are limited and the limit has been reached, this parameter will disable AOE.

Group	Act On Event
Syntax	ACTONEvent:ENable <NR1> ACTONEvent:ENable?
Arguments	<NR1> is a number that enables or disables actions on event. The number zero disables the feature and the number one enables the feature.
Examples	ACTONEvent:ENable 1 enables actions on event. ACTONEvent:ENable? might return :ACTONEvent:ENable 0, indicating the actions on event feature is disabled.

ACTONEvent:LIMit

This command sets whether the act on event should limit the number of saves. This prevents the saves from filling the hard drive.

Group	Act On Event
Syntax	ACTONEvent:LIMit <NR1> ACTONEvent:LIMit?
Arguments	<NR1> is a number that enables or disables whether the act on event should limit the number of saves. The number zero disables the feature and the number one enables the feature.
Examples	ACTONEvent:LIMit 1 enables the limiting of act on event saves. ACTONEvent:LIMit? might return :ACTONEvent:LIMit 0, indicating the limiting of act on event saves feature is disabled.

ACTONEvent:LIMITCount

This command sets the limit of act on even saves. The ACTONEvent:LIMit command must be enabled.

Group	Act On Event
Syntax	ACTONEvent:LIMITCount <NR1> ACTONEvent:LIMITCount?
Arguments	<NR1> sets the number of allowed saves for the act on event feature. The number must be a positive integer.
Examples	ACTONEvent:LIMITCount 2 sets the number of saves to 2. ACTONEvent:LIMITCount? might return :ACTONEvent:LIMITCount 4, indicating the limit of act on event saves is 4.

ACTONEvent:MASKFail:ACTION:SAVEIMAGE:STATE

This command saves a screen capture when a mask test fails.

Group	Act On Event
Syntax	ACTONEvent:MASKFail:ACTION:SAVEIMAGE:STATE {ON OFF <NR1>} ACTONEvent:MASKFail:ACTION:SAVEIMAGE:STATE?

Related Commands	SAVEONEVent:IMAGe:FILEFormat SAVEONEVent:FILEName SAVEONEVent:WAVEform:FILEFormat SAVEONEVent:WAVEform:SOUrce
Arguments	<p>ON enables the save screen capture when a mask test fails feature.</p> <p>OFF disables the save screen capture when a mask test fails feature.</p> <p><NR1> is a number that enables or disables the save screen capture when a mask test fails feature. The number zero disables the feature, all other numbers enable the feature.</p>
Examples	<p>ACTONEvent:MASKFail:ACTION:SAVEIMAGE:STATE ON sets the state of the save screen capture feature to on.</p> <p>ACTONEvent:MASKFail:ACTION:SAVEIMAGE:STATE? might return :ACTONEvent:MASKFail:ACTION:SAVEIMAGE:STATE OFF, indicating the state of the save screen capture feature is set to off.</p>

ACTONEvent:MASKFail:ACTION:SAVEWAVEform:STATE

This command saves the user set source waveform(s) when a mask test fails.

Group	Act On Event
Syntax	ACTONEvent:MASKFail:ACTION:SAVEWAVEform:STATE {ON OFF <NR1>} ACTONEvent:MASKFail:ACTION:SAVEWAVEform:STATE?
Related Commands	SAVEONEVent:IMAGe:FILEFormat SAVEONEVent:FILEName SAVEONEVent:WAVEform:FILEFormat SAVEONEVent:WAVEform:SOUrce
Arguments	<p>ON enables the save source waveform(s) when a mask test fails feature.</p> <p>OFF disables the save source waveform(s) when a mask test fails feature.</p> <p><NR1> is a number that enables or disables the save source waveform(s) when a mask test fails feature. The number zero disables the feature, all other numbers enable the feature.</p>

Examples `ACTONEvent:MASKFail:ACTION:SAVEWAVEform:STATE ON` sets the state of the save source waveform feature to on.

`ACTONEvent:MASKFail:ACTION:SAVEWAVEform:STATE?` might return `:ACTONEvent:MASKFail:ACTION:SAVEWAVEform:STATE OFF`, indicating the state of the save source waveform feature is set to off.

ACTONEvent:MASKFail:ACTION:SRQ:STATE

This command generates an SRQ event when a mask fails.

Group Act On Event

Syntax `ACTONEvent:MASKFail:ACTION:SRQ:STATE {ON|OFF|<NR1>}`
`ACTONEvent:MASKFail:ACTION:SRQ:STATE?`

Related Commands [ACTONEvent:ENable](#)

Arguments ON enables the generate an SRQ event when a mask fails feature.
OFF disables the generate an SRQ event when a mask fails feature.
<NR1> is a number that enables or disables the generate an SRQ event when a mask fails feature. The number zero disables the feature, all other numbers enable the feature.

Examples `ACTONEvent:MASKFail:ACTION:SRQ:STATE 1` enables the generate an SRQ event when a mask fails feature to enabled.

`ACTONEvent:MASKFail:ACTION:SRQ:STATE?` might return `:ACTONEvent:MASKFail:ACTION:SRQ:STATE 0`, indicating the state of the generate an SRQ event when a mask fails feature is disabled.

ACTONEvent:MASKFail:ACTION:STOPACQ:STATE

This command stops acquisitions when a mask test fails.

Group Act On Event

Syntax `ACTONEvent:MASKFail:ACTION:STOPACQ:STATE {ON|OFF|<NR1>}`
`ACTONEvent:MASKFail:ACTION:STOPACQ:STATE?`

Related Commands [ACTONEvent:ENable](#)

Arguments ON enables the stop acquisitions when a mask test fails feature.
 OFF disables the stop acquisitions when a mask test fails feature.
 <NR1> is a number that enables or disables the stop acquisitions when a mask test fails feature. The number zero disables the feature, all other numbers enable the feature.

Examples ACTONEvent:MASKFail:ACTION:STOPACQ:STATE ON sets the state of the stop acquisitions feature to on.
 ACTONEvent:MASKFail:ACTION:STOPACQ:STATE? might return :ACTONEvent:MASKFail:ACTION:STOPACQ:STATE OFF, indicating the state of the stop acquisitions feature is set to off.

ACTONEvent:MASKHit:ACTION:SAVEIMAGE:STATE

This command saves a screen capture when a mask hit occurs.

Group Act On Event

Syntax ACTONEvent:MASKHit:ACTION:SAVEIMAGE:STATE {ON|OFF|<NR1>}
 ACTONEvent:MASKHit:ACTION:SAVEIMAGE:STATE?

Related Commands [SAVEONEvent:IMAGe:FILEFormat](#)
[SAVEONEvent:FILEName](#)
[SAVEONEvent:WAVEform:FILEFormat](#)
[SAVEONEvent:WAVEform:SOUrce](#)

Arguments ON enables the save screen capture when a mask hit occurs feature.
 OFF disables the save screen capture when a mask hit occurs feature.
 <NR1> is a number that enables or disables the save screen capture when a mask hit occurs feature. The number zero disables the feature, all other numbers enable the feature.

Examples ACTONEvent:MASKHit:ACTION:SAVEIMAGE:STATE ON sets the state of the save screen capture feature to on.

ACTONEvent:MASKHit:ACTION:SAVEIMAGE:STATE? might return
:ACTONEvent:MASKHit:ACTION:SAVEIMAGE:STATE OFF, indicating the
state of the save screen capture feature is set to off.

ACTONEvent:MASKHit:ACTION:SAVEWAVEform:STATE

This command saves the user set source waveform(s) when a mask hit occurs.

Group Act On Event

Syntax ACTONEvent:MASKHit:ACTION:SAVEWAVEform:STATE {ON|OFF|<NR1>}
ACTONEvent:MASKHit:ACTION:SAVEWAVEform:STATE?

Related Commands [SAVEONEvent:IMAGE:FILEFormat](#)
[SAVEONEvent:FILENAME](#)
[SAVEONEvent:WAVEform:FILEFormat](#)
[SAVEONEvent:WAVEform:SOUrce](#)

Arguments ON enables the save source waveform(s) when a mask hit occurs feature.
OFF disables the save source waveform(s) when a mask hit occurs feature.
<NR1> is a number that enables or disables the save source waveform(s) when a
mask hit occurs feature. The number zero disables the feature, all other numbers
enable the feature.

Examples ACTONEvent:MASKHit:ACTION:SAVEWAVEform:STATE ON sets the state of
the save source waveform feature to on.
ACTONEvent:MASKHit:ACTION:SAVEWAVEform:STATE? might return
:ACTONEvent:MASKHit:ACTION:SAVEWAVEform:STATE OFF, indicating the
state of the save source waveform feature is set to off.

ACTONEvent:MASKHit:ACTION:SRQ:STATE

This command generates an SRQ event when a mask hit occurs.

Group Act On Event

Syntax ACTONEvent:MASKHit:ACTION:SRQ:STATE {ON|OFF|<NR1>}
 ACTONEvent:MASKHit:ACTION:SRQ:STATE?

Related Commands [ACTONEvent:ENable](#)

Arguments ON enables the generate an SRQ event when a mask hit occurs feature.
 OFF disables the generate an SRQ event when a mask hit occurs feature.
 <NR1> is a number that enables or disables the generate an SRQ event when a mask hit occurs feature. The number zero disables the feature, all other numbers enable the feature.

Examples ACTONEvent:MASKHit:ACTION:SRQ:STATE 1 enables the generate an SRQ event when a mask hit occurs feature.
 ACTONEvent:MASKHit:ACTION:SRQ:STATE? might return :ACTONEvent:MASKHit:ACTION:SRQ:STATE 0, indicating the generate an SRQ event when a mask hit occurs feature is disabled.

ACTONEvent:MASKHit:ACTION:STOPACQ:STATE

This command stops acquisitions when a mask hit occurs.

Group Act On Event

Syntax ACTONEvent:MASKHit:ACTION:STOPACQ:STATE {ON|OFF|<NR1>}
 ACTONEvent:MASKHit:ACTION:STOPACQ:STATE?

Related Commands [ACTONEvent:ENable](#)

Arguments ON enables the stop acquisitions when a mask hit occurs feature.
 OFF disables the stop acquisitions when a mask hit occurs feature.
 <NR1> is a number that enables or disables the stop acquisitions when a mask hit occurs feature. The number zero disables the feature, all other numbers enable the feature.

Examples ACTONEvent:MASKHit:ACTION:STOPACQ:STATE ON sets the state of the stop acquisitions feature to on.

ACTONEvent:MASKHit:ACTION:STOPACQ:STATE? might return
:ACTONEvent:MASKHit:ACTION:STOPACQ:STATE OFF, indicating the state
of the stop acquisitions feature is set to off.

ACTONEvent:MASKPass:ACTION:SAVEIMAGE:STATE

This command saves a screen capture when a mask test passes.

Group Act On Event

Syntax ACTONEvent:MASKPass:ACTION:SAVEIMAGE:STATE {ON|OFF|<NR1>}
ACTONEvent:MASKPass:ACTION:SAVEIMAGE:STATE?

Related Commands [SAVEONEvent:IMAGE:FILEFormat](#)
[SAVEONEvent:FILENAME](#)
[SAVEONEvent:WAVEform:FILEFormat](#)
[SAVEONEvent:WAVEform:SOUrce](#)

Arguments ON enables the save screen capture when a mask test passes feature.
OFF disables the save screen capture when a mask test passes feature.
<NR1> is a number that enables or disables the save screen capture when a mask
test passes feature. The number zero disables the feature, all other numbers
enable the feature.

Examples ACTONEvent:MASKPass:ACTION:SAVEIMAGE:STATE ON sets the state of
the save screen capture feature to on.
ACTONEvent:MASKPass:ACTION:SAVEIMAGE:STATE? might return
:ACTONEvent:MASKPass:ACTION:SAVEIMAGE:STATE OFF, indicating the
state of the save screen capture feature is set to off.

ACTONEvent:MASKPass:ACTION:SAVWAVEform:STATE

This command saves the user set source waveform(s) when a mask test passes.

Group Act On Event

Syntax ACTONEvent:MASKPass:ACTION:SAVEWAVEform:STATE {ON|OFF|<NR1>}
 ACTONEvent:MASKPass:ACTION:SAVEWAVEform:STATE?

Related Commands [SAVEONEVent:IMAGe:FILEFormat](#)
[SAVEONEVent:FILEName](#)
[SAVEONEVent:WAVEform:FILEFormat](#)
[SAVEONEVent:WAVEform:SOUrce](#)

Arguments ON enables the save source waveform(s) when a mask test passes feature.
 OFF disables the save source waveform(s) when a mask test passes feature.
 <NR1> is a number that enables or disables the save source waveform(s) when a mask test passes feature. The number zero disables the feature, all other numbers enable the feature.

Examples ACTONEvent:MASKPass:ACTION:SAVEWAVEform:STATE ON sets the state of the save source waveform feature to on.
 ACTONEvent:MASKPass:ACTION:SAVEWAVEform:STATE? might return :ACTONEvent:MASKPass:ACTION:SAVEWAVEform:STATE OFF, indicating the state of the save source waveform feature is set to off.

ACTONEvent:MASKPass:ACTION:SRQ:STATE

This command generates an SRQ event when a mask passes.

Group Act On Event

Syntax ACTONEvent:MASKPass:ACTION:SRQ:STATE {ON|OFF|<NR1>}
 ACTONEvent:MASKPass:ACTION:SRQ:STATE?

Related Commands [ACTONEVent:ENable](#)

Arguments ON enables the generate an SRQ event when a mask passes feature.
 OFF disables the generate an SRQ event when a mask passes feature.
 <NR1> is a number that enables or disables the generate an SRQ event when a mask passes feature. The number zero disables the feature, all other numbers enable the feature.

Examples `ACTONEvent:MASKPass:ACTION:SRQ:STATE 1` enables the generate an SRQ event when a mask passes feature.

`ACTONEvent:MASKPass:ACTION:SRQ:STATE?` might return
`:ACTONEvent:MASKPass:ACTION:SRQ:STATE 0`, indicating the generate an SRQ event when a mask passes feature is disabled.

ACTONEvent:MASKPass:ACTION:STOPACQ:STATE

This command stops acquisitions when a mask test passes.

Group Act On Event

Syntax `ACTONEvent:MASKPass:ACTION:STOPACQ:STATE {ON|OFF|<NR1>}`
`ACTONEvent:MASKPass:ACTION:STOPACQ:STATE?`

Related Commands [ACTONEvent:ENable](#)

Arguments ON enables the stop acquisitions when a mask test passes feature.

OFF disables the stop acquisitions when a mask test passes feature.

<NR1> is a number that enables or disables the stop acquisitions when a mask test passes feature. The number zero disables the feature, all other numbers enable the feature.

Examples `ACTONEvent:MASKPass:ACTION:STOPACQ:STATE ON` sets the state of the stop acquisitions feature to on.

`ACTONEvent:MASKPass:ACTION:STOPACQ:STATE?` might return
`:ACTONEvent:MASKPass:ACTION:STOPACQ:STATE OFF`, indicating the state of the stop acquisitions feature is set to off.

ACTONEvent:MEASUrement:ACTION:SAVEIMAGE:STATE

This command saves a screen capture when the user-set measurement limit is exceeded.

Group Act On Event

Syntax `ACTONEvent:MEASUrement:ACTION:SAVEIMAGE:STATE {ON|OFF|<NR1>}`
`ACTONEvent:MEASUrement:ACTION:SAVEIMAGE:STATE?`

Related Commands	<p>SAVEONEVent:IMAGe:FILEFormat</p> <p>SAVEONEVent:FILEName</p> <p>SAVEONEVent:WAVEform:FILEFormat</p> <p>SAVEONEVent:WAVEform:SOUrce</p>
Arguments	<p>ON enables the save screen capture when the measurement limit is exceeded feature.</p> <p>OFF disables the save screen capture when the measurement limit is exceeded feature.</p> <p><NR1> is a number that enables or disables the save screen capture when the measurement limit is exceeded feature. The number zero disables the feature, all other numbers enable the feature.</p>
Examples	<p>ACTONEvent:MEASUREMENT:ACTION:SAVEIMAGE:STATE ON sets the state of the save screen capture feature to on.</p> <p>ACTONEvent:MEASUREMENT:ACTION:SAVEIMAGE:STATE? might return :ACTONEvent:MEASUREMENT:ACTION:SAVEIMAGE:STATE OFF, indicating the state of the save screen capture feature is set to off.</p>

ACTONEvent:MEASUREMENT:ACTION:SAVEWAVEform:STATE

This command saves the user set source waveform(s) when the user-set measurement limit is exceeded.

Group	Act On Event
Syntax	<p>ACTONEvent:MEASUREMENT:ACTION:SAVEWAVEform:STATE {ON OFF <NR1>}</p> <p>ACTONEvent:MEASUREMENT:ACTION:SAVEWAVEform:STATE?</p>
Related Commands	<p>SAVEONEVent:IMAGe:FILEFormat</p> <p>SAVEONEVent:FILEName</p> <p>SAVEONEVent:WAVEform:FILEFormat</p> <p>SAVEONEVent:WAVEform:SOUrce</p>
Arguments	<p>ON enables the save source waveform(s) when the measurement limit is exceeded feature.</p>

OFF disables the save source waveform(s) when the measurement limit is exceeded feature.

<NR1> is a number that enables or disables the save source waveform(s) when the measurement limit is exceeded feature. The number zero disables the feature, all other numbers enable the feature.

Examples `ACTONEvent:MEASUREMENT:ACTION:SAVEWAVEform:STATE ON` sets the state of the save source waveform feature to on.

`ACTONEvent:MEASUREMENT:ACTION:SAVEWAVEform:STATE?` might return `:ACTONEvent:MEASUREMENT:ACTION:SAVEWAVEform:STATE OFF`, indicating the state of the save source waveform feature is set to off.

ACTONEvent:MEASUREMENT:ACTION:SRQ:STATE

This command generates an SRQ event when any measurement triggers the user-defined measurement limits.

Group Act On Event

Syntax `ACTONEvent:MEASUREMENT:ACTION:SRQ:STATE {ON|OFF|<NR1>}`
`ACTONEvent:MEASUREMENT:ACTION:SRQ:STATE?`

Related Commands [ACTONEvent:ENable](#)

Arguments ON enables the generate an SRQ event when any measurement triggers the user-defined measurement limits feature.

OFF disables the generate an SRQ event when any measurement triggers the user-defined measurement limits feature.

<NR1> is a number that enables or disables the generate an SRQ event when any measurement triggers the user-defined measurement limits feature. The number zero disables the feature, all other numbers enable the feature.

Examples `ACTONEvent:MEASUREMENT:ACTION:SRQ:STATE 1` enables the generate an SRQ event when any measurement triggers the user-defined measurement limits feature.

`ACTONEvent:MEASUREMENT:ACTION:SRQ:STATE?` might return `:ACTONEvent:MEASUREMENT:ACTION:SRQ:STATE 0`, indicating the generate an SRQ event when any measurement triggers the user-defined measurement limits feature is disabled.

ACTONEvent:MEASUREMENT:ACTION:STOPACQ:STATE

This command stops acquisitions when the user-set measurement limit is exceeded.

Group Act On Event

Syntax ACTONEvent:MEASUREMENT:ACTION:STOPACQ:STATE {ON|OFF|<NR1>}
ACTONEvent:MEASUREMENT:ACTION:STOPACQ:STATE?

Related Commands [ACTONEvent:ENable](#)

Arguments ON enables the stop acquisitions when the measurement limit is exceeded feature.
OFF disables the stop acquisitions when the measurement limit is exceeded feature.
<NR1> is a number that enables or disables the stop acquisitions when the measurement limit is exceeded feature. The number zero disables the feature, all other numbers enable the feature.

Examples ACTONEvent:MEASUREMENT:ACTION:STOPACQ:STATE ON sets the state of the stop acquisitions feature to on.
ACTONEvent:MEASUREMENT:ACTION:STOPACQ:STATE? might return :ACTONEvent:MEASUREMENT:ACTION:STOPACQ:STATE OFF, indicating the state of the stop acquisitions feature is set to off.

ACTONEvent:SEARCH:ACTION:SAVEIMAGE:STATE

This command saves a screen capture when a search event is found.

Group Act On Event

Syntax ACTONEvent:SEARCH:ACTION:SAVEIMAGE:STATE {ON|OFF|<NR1>}
ACTONEvent:SEARCH:ACTION:SAVEIMAGE:STATE?

Related Commands [SAVEONEvent:IMAGE:FILEFormat](#)
[SAVEONEvent:FILENAME](#)
[SAVEONEvent:WAVEform:FILEFormat](#)
[SAVEONEvent:WAVEform:SOURce](#)

Arguments ON enables the save screen capture when a search event is found feature.
OFF disables the save screen capture when a search event is found feature.
<NR1> is a number that enables or disables the save screen capture when a search event is found feature. The number zero disables the feature, all other numbers enable the feature.

Examples ACTONEvent:SEARCH:ACTION:SAVEIMAGE:STATE ON sets the state of the save screen capture feature to on.
ACTONEvent:SEARCH:ACTION:SAVEIMAGE:STATE? might return :ACTONEvent:SEARCH:ACTION:SAVEIMAGE:STATE OFF, indicating the state of the save screen capture feature is set to off.

ACTONEvent:SEARCH:ACTION:SAVEWAVEform:STATE

This command saves the user set source waveform(s) when a search event is found.

Group Act On Event

Syntax ACTONEvent:SEARCH:ACTION:SAVEWAVEform:STATE {ON|OFF|<NR1>}
ACTONEvent:SEARCH:ACTION:SAVEWAVEform:STATE?

Related Commands [SAVEONEvent:IMAGE:FILEFormat](#)
[SAVEONEvent:FILENAME](#)
[SAVEONEvent:WAVEform:FILEFormat](#)
[SAVEONEvent:WAVEform:SOUrce](#)

Arguments ON enables the save source waveform(s) when a search event is found feature.
OFF disables the save source waveform(s) when a search event is found feature.
<NR1> is a number that enables or disables the save source waveform(s) when a search event is found feature. The number zero disables the feature, all other numbers enable the feature.

Examples ACTONEvent:SEARCH:ACTION:SAVEWAVEform:STATE ON sets the state of the save source waveform feature to on.

ACTONEvent:SEARCH:ACTION:SAVEWAVEform:STATE? might return
:ACTONEvent:SEARCH:ACTION:SAVEWAVEform:STATE OFF, indicating the
state of the save source waveform feature is set to off.

ACTONEvent:SEARCH:ACTION:SRQ:STATE

This command generates an SRQ event when any search event is found.

Group Act On Event

Syntax ACTONEvent:SEARCH:ACTION:SRQ:STATE {ON|OFF|<NR1>}
ACTONEvent:SEARCH:ACTION:SRQ:STATE?

Related Commands [ACTONEvent:ENable](#)

Arguments ON enables the generate an SRQ event when any search event is found feature.
OFF disables the generate an SRQ event when any search event is found feature.
<NR1> is a number that enables or disables the generate an SRQ event when any
search event is found feature. The number zero disables the feature, all other
numbers enable the feature.

Examples ACTONEvent:SEARCH:ACTION:SRQ:STATE 1 enables the generate an SRQ
event when any search event is found feature.
ACTONEvent:SEARCH:ACTION:SRQ:STATE? might return
:ACTONEvent:SEARCH:ACTION:SRQ:STATE 0, indicating the
generate an SRQ event when any search event is found feature is disabled.

ACTONEvent:SEARCH:ACTION:STOPACQ:STATE

This command stops acquisitions when a search event is found.

Group Act On Event

Syntax ACTONEvent:SEARCH:ACTION:STOPACQ:STATE {ON|OFF|<NR1>}
ACTONEvent:SEARCH:ACTION:STOPACQ:STATE?

Related Commands [ACTONEvent:ENable](#)

Arguments	<p>ON enables the stop acquisitions when a search event is found feature.</p> <p>OFF disables the stop acquisitions when a search event is found feature.</p> <p><NR1> is a number that enables or disables the stop acquisitions when a search event is found feature. The number zero disables the feature, all other numbers enable the feature.</p>
Examples	<p>ACTONEvent:SEARCH:ACTION:STOPACQ:STATE ON sets the state of the stop acquisitions feature to on.</p> <p>ACTONEvent:SEARCH:ACTION:STOPACQ:STATE? might return :ACTONEvent:SEARCH:ACTION:STOPACQ:STATE OFF, indicating the state of the stop acquisitions feature is set to off.</p>

ACTONEvent:TRIGger:ACTION:SAVEIMAGe:STATE

This command saves a screen capture on a trigger event from a single sequence or sequence of N acquisition. Each acquisition in the sequence of N will perform a save operation. This command replaces [SAVE:IMAGe](#) (still valid command, but only an alias for this new command).

Group	Act On Event
Syntax	ACTONEvent:TRIGger:ACTION:SAVEIMAGe:STATE {ON OFF <NR1>} ACTONEvent:TRIGger:ACTION:SAVEIMAGe:STATE?
Arguments	<p>ON enables the save screen capture on a trigger event feature.</p> <p>OFF disables the save screen capture on a trigger event feature.</p> <p><NR1> is a number that enables or disables the save screen capture on a trigger event feature. The number zero disables the feature, all other numbers enable the feature.</p>
Examples	<p>ACTONEvent:TRIGger:ACTION:SAVEIMAGe:STATE ON sets the state of the save screen capture feature to on.</p> <p>ACTONEvent:TRIGger:ACTION:SAVEIMAGe:STATE? might return :ACTONEvent:TRIGger:ACTION:SAVEIMAGe:STATE OFF, indicating the state of the save screen capture feature is set to off.</p>

ACTONEvent:TRIGger:ACTION:SAVEWAVEform:STATE

This command saves the user set source waveform(s) on a trigger event.

Group	Act On Event
Syntax	ACTONEvent:TRIGger:ACTION:SAVEWAVEform:STATE {ON OFF 1 0} ACTONEvent:TRIGger:ACTION:SAVEWAVEform:STATE?
Arguments	<p>ON enables the save source waveform(s) on a trigger event feature.</p> <p>OFF disables the save source waveform(s) on a trigger event feature.</p> <p>1 enables the save source waveform(s) on a trigger event feature. Any number value, other than 0, will enable the feature.</p> <p>0 disables the save source waveform(s) on a trigger event feature, all other number values enable the feature.</p>
Examples	<p>ACTONEvent:TRIGger:ACTION:SAVEWAVEform:STATE ON sets the state of the save source waveform feature to on.</p> <p>ACTONEvent:TRIGger:ACTION:SAVEWAVEform:STATE? might return :ACTONEvent:TRIGger:ACTION:SAVEWAVEform:STATE OFF, indicating the state of the save source waveform feature is set to off.</p>

ACTONEvent:TRIGger:ACTION:SRQ:STATE

This command generates an SRQ event when a trigger event occurs.

Group	Act On Event
Syntax	ACTONEvent:TRIGger:ACTION:SRQ:STATE {ON OFF <NR1>} ACTONEvent:TRIGger:ACTION:SRQ:STATE?
Related Commands	ACTONEvent:ENable
Arguments	<p>ON enables the generate an SRQ event when a trigger event occurs feature.</p> <p>OFF disables the generate an SRQ event when a trigger event occurs feature.</p> <p><NR1> is a number that enables or disables the generate an SRQ event when a trigger event occurs feature. The number zero disables the feature, all other numbers enable the feature.</p>
Examples	ACTONEvent:TRIGger:ACTION:SRQ:STATE 1 enables the generate an SRQ event when a trigger event occurs feature.

ACTONEvent:TRIGger:ACTION:SRQ:STATE? might return
:ACTONEvent:TRIGger:ACTION:SRQ:STATE 0, indicating the generate an
SRQ event when a trigger event occurs feature is disabled.

ACTONEvent:TRIGger:ACTION:STOPACQ:STATE

This command stops acquisitions on a trigger event from a single sequence or sequence of N acquisition. Each acquisition in the sequence of N will perform a save operation.

Group	Act On Event
Syntax	ACTONEvent:TRIGger:ACTION:STOPACQ:STATE {ON OFF <NR1>} ACTONEvent:TRIGger:ACTION:STOPACQ:STATE?
Arguments	ON enables the stop acquisitions on a trigger event feature. OFF disables the stop acquisitions on a trigger event feature. <NR1> is a number that enables or disables the stop acquisitions on a trigger event feature. The number zero disables the feature, all other numbers enable the feature.
Examples	ACTONEvent:TRIGger:ACTION:STOPACQ:STATE ON sets the state of the stop acquisitions feature to on. ACTONEvent:TRIGger:ACTION:STOPACQ:STATE? might return :ACTONEvent:TRIGger:ACTION:STOPACQ:STATE OFF, indicating the state of the stop acquisitions feature is set to off.

AFG:AMPLitude

Sets (or queries) the AFG amplitude in volts, peak to peak.

Conditions	Requires option AFG.
Group	AFG
Syntax	AFG:AMPLitude <NR3> AFG:AMPLitude?

Arguments <NR3> is a floating point number that represents the AFG amplitude, peak to peak, in volts.

Examples AFG:AMPLITUDE 1.0 sets the AFG amplitude to 1.0 volts, peak to peak.
 AFG:AMPLITUDE? might return :AFG:AMPLITUDE 3.0000 indicating the amplitude is set to 3.0 Volts.

AFG:ARBITRARY:SOURCE

This command sets or queries the source name for the Arbitrary Waveform. Currently supported sources are either waveform file (.wfm) or text file (.csv).

Conditions Requires option AFG.

Group AFG

Syntax AFG:ARBITRARY:SOURCE <QString>
 AFG:ARBITRARY:SOURCE?

Arguments <QString> is the source name.

Examples AFG:ARBITRARY:SOURCE "E:/Waveforms/Square.wfm" sets the source waveform to E:/Waveforms/Square.wfm.
 AFG:ARBITRARY:SOURCE? might return "E:/Waveforms/Square.wfm" indicating the source is set to E:/Waveforms/Square.wfm.

AFG:BURSt:CCOUnt

This command sets or returns the cycle count for AFG burst mode.

Conditions Requires option AFG.

Group AFG

Syntax AFG:BURSt:CCOUnt <NR1>
 AFG:BURSt:CCOUnt?

Related Commands [AFG:BURSt:TRIGger](#)

Arguments <NR1> is the cycle count.

Examples `AFG:BURSt:CCOUnt 1000` sets the cycle count for AFG burst mode to 1000
`AFG:BURSt:CCOUnt?` might return `:AFG:BURSt:CCOUnt 50`, indicating that the cycle count for AFG burst mode is set to 50

AFG:BURSt:TRIGger (No Query Form)

This command triggers a burst on AFG output.

Conditions Requires option AFG.

Group AFG

Syntax `AFG:BURSt:TRIGger`

Related Commands [AFG:BURSt:CCOUnt](#)

Examples `AFG:BURSt:TRIGger` triggers a burst on AFG output.

AFG:FREQuency

Sets (or queries) the AFG frequency, in Hz.

Conditions Requires option AFG.

Group AFG

Syntax `AFG:FREQuency <NR3>`
`AFG:FREQuency?`

Arguments <NR3> is the floating point number that represents the AFG frequency, in Hz.

Examples AFG:FREQUENCY 100.0E3 sets the AFG frequency to 100 kHz.
 AFG:FREQUENCY? might return :AFG:FREQUENCY 312.5000E+3 indicating the frequency is set to 312.5 kHz.

AFG:FUNCTION

Sets (or queries) which AFG function to execute.

Conditions Requires option AFG.

Group AFG

Syntax AFG:FUNCTION
 {SINE|SQUare|PULSe|RAMP|NOISE|DC|SINC|GAUSSian|LORENTz
 |ERISe|EDECAY|HAVERSINE|CARDIac|ARBITrary}
 AFG:FUNCTION?

Arguments SINE
 SQUare
 PULSe
 RAMP
 NOISE
 DC. The DC level is controlled by [AFG:OFFSet](#).
 SINC (Sin(x)/x)
 GAUSSian
 LORENTz
 ERISe
 EDECAY
 HAVERSINE
 CARDIac
 ARBITrary

Examples AFG:FUNC LOREN specifies to generate the Lorentz function.
 AFG:FUNCTION? might return :AFG:FUNCTION SINE indicating the AFG function is set to sine.

AFG:HIGHLevel

This command sets (or queries) the high level value of the output waveform, in volts, when using the arbitrary function generator feature.

Conditions	Requires option AFG.
Group	AFG
Syntax	AFG:HIGHLevel <NR3> AFG:HIGHLevel?
Arguments	<NR3> is a floating point number that represents the AFG high level value, in volts.
Examples	AFG:HIGHLEVEL 1.0 sets the AFG high level value to 1.0 volts. AFG:HIGHLEVEL? might return :AFG:HIGHLEVEL 1.5000 indicating the high level is set to 1.5 Volts.

AFG:LOWLevel

This command sets (or queries) the low level value of the output waveform, in volts, when using the arbitrary function generator feature.

Conditions	Requires option AFG.
Group	AFG
Syntax	AFG:LOWLevel <NR3> AFG:LOWLevel?
Arguments	<NR3> is the floating point number that represents the AFG low level value, in volts.
Examples	AFG:LOWLEVEL 1.0 sets the AFG low level value to 1.00 volts. AFG:LOWLEVEL? might return :AFG:LOWLEVEL -1.5000 indicating the low level is set to —1.5 Volts.

AFG:NOISEAdd:PERCent

Sets (or queries) the AFG additive noise level as a percentage. Minimum is 0.0%, maximum is 100.0% and increment is 1.0%.

Conditions	Requires option AFG.
Group	AFG
Syntax	AFG:NOISEAdd:PERCent <NR3> AFG:NOISEAdd:PERCent?
Arguments	<NR3> is the floating point number that represents the AFG additive noise level, as a percentage.
Examples	AFG:NOISEADD:PERCENT 50 sets the AFG additive noise level to 50 percent. AFG:NOISEADD:PERCENT? might return :AFG:NOISEADD:PERCENT 0 indicating that no noise is added.

AFG:NOISEAdd:STATE

Sets (or queries) the AFG additive noise state.

Conditions	Requires option AFG.
Group	AFG
Syntax	AFG:NOISEAdd:STATE {0 1 OFF ON} AFG:NOISEAdd:STATE?
Arguments	ON turns on the AFG additive noise state. OFF turns it off. 1 turns on the AFG additive noise state. 0 turns it off.

Examples AFG:NOISEADD:STATE ON turns on the additive noise state.
AFG:NOISEADD:STATE? might return :AFG:NOISEADD:STATE 0 indicating the noise additive state is off.

AFG:OFFSet

Sets (or queries) the AFG offset value, in volts.

Conditions Requires option AFG.

Group AFG

Syntax AFG:OFFSet <NR3>
AFG:OFFSet?

Arguments <NR3> is a floating point number that represents the AFG offset, in volts.

Examples AFG:OFFSET 1.0 sets the AFG offset to 1.0 volts.
AFG:OFFSET? might return AFG:OFFSET 0.0E+0 indicating there is no offset.

AFG:OUTPut:LOAD:IMPEDance

Sets (or queries) the AFG output load impedance.

Conditions Requires option AFG.

Group AFG

Syntax AFG:OUTPut:LOAD:IMPEDance {FIFty|HIGHZ}
AFG:OUTPut:LOAD:IMPEDance?

Arguments FIFty sets the output load impedance to 50 Ohms.
HIGHZ sets the output load impedance to the high-impedance state.

Examples AFG:OUTP:LOA:IMPED FIF sets the AFG output load impedance to 50 Ohms.
 AFG:OUTPUT:LOAD:IMPEDANCE? might return AFG:OUTPUT:LOAD:IMPEDANCE HIGHZ indicating the load impedance is set to the high impedance state.

AFG:OUTPut:MODE

This command sets or returns the AFG output mode.

Conditions Requires option AFG.

Group AFG

Syntax AFG:OUTPut:MODE {OFF|CONTinuous|BURSt}
 AFG:OUTPut:MODE?

Related Commands [AFG:OUTPut:STATE](#)

Arguments OFF turns off the AFG output mode.
 CONTinuous turns the AFG output mode to continuous.
 BURSt turns the AFG output mode to burst.

Examples AFG:OUTPut:MODE BURSt sets the AFG output mode to burst.
 AFG:OUTPut:MODE? might return AFG:OUTPut:MODE CONTinuous, indicating that the AFG output mode is set to continuous.

AFG:OUTPut:STATE

Sets (or queries) the AFG output state.

Conditions Requires option AFG.

Group AFG

Syntax AFG:OUTPut:STATE {0|1|OFF|ON}
 AFG:OUTPut:STATE?

Arguments ON turns on the AFG output state.
OFF turns it off.
1 turns on the AFG output state.
0 turns it off.

Examples AFG:OUTPUT:STATE ON turns on the AFG output state.
AFG:OUTPUT:STATE? might return AFG:OUTPUT:STATE 1 indicating the AFG output is on.

AFG:PERIod

Sets (or queries) the period of the AFG waveform, in seconds.

Conditions Requires option AFG.

Group AFG

Syntax AFG:PERIod <NR3>
AFG:PERIod?

Arguments <NR3> is the floating point number that represents the AFG period value, in seconds.

Returns The query response is returned in high precision NR3 format (up to 12 digits with more than 4 trailing 0 digits after the decimal point is omitted).

Examples AFG:PERIOD 1 sets the AFG period value to 1 second.
AFG:PERIOD? might return :AFG:PERIOD 3.2000E-6 indicating the AFG period is set to 3.2 μ s.

AFG:PULse:WIDth

Sets (or queries) the AFG pulse width, in seconds.

Conditions Requires option AFG.

Group	AFG
Syntax	AFG:PULSE:WIDTH <NR3> AFG:PULSE:WIDTH?
Arguments	<NR3> is the floating point number that represents the pulse width, in seconds.
Examples	AFG:PULSE:WIDTH 100.0E-6 sets the AFG pulse width to 100 microseconds. AFG:PULSE:WIDTH? might return :AFG:PULSE:WIDTH 1.0000E-6 indicating the pulse width is set to 1 μ s.

AFG:RAMP:SYMMetry

Sets (or queries) the AFG ramp symmetry in percent. Minimum is 0.0%, maximum is 100.0% and increment is 0.10%.

Conditions	Requires option AFG.
Group	AFG
Syntax	AFG:RAMP:SYMMetry <NR3> AFG:RAMP:SYMMetry?
Arguments	<NR3> is the floating point number that represents the AFG ramp symmetry, as a percentage.
Examples	AFG:RAMP:SYMMetry 50.0 sets the AFG ramp symmetry to 50 percent. AFG:RAMP:SYMMetry? might return :AFG:RAMP:SYMMetry 50.0000 indicating the symmetry is set to 50%.

AFG:SQUare:DUty

Sets (or queries) the AFG duty cycle in percent. The minimum is 10.0%, maximum is 90.0% and increment is 0.10%.

Conditions	Requires option AFG.
-------------------	----------------------

Group	AFG
Syntax	AFG:SQUare:DUTy <NR3> AFG:SQUare:DUTy?
Arguments	<NR3> is the floating point number that represents the AFG duty cycle, as a percentage.
Examples	AFG:SQUARE:DUTY 50.0 sets the AFG duty cycle to 50 percent. AFG:SQUARE:DUTY? might return :AFG:SQUARE:DUTY 50.0000 indicating the duty cycle is set to 50%.

Alias

This command sets or queries the state of alias functionality, and it is identical to the ALIAS:STATE command.

Group	Alias
Syntax	ALIAS {OFF ON <NR1>} ALIAS?
Related Commands	ALIAS:STATE
Arguments	OFF turns Alias expansion off. ON turns Alias expansion on. When a defined alias is received, the specified command sequence is substituted for the alias and executed. <NR1> = 0 disables Alias mode; any other value enables Alias mode.
Examples	ALIAS ON turns the alias feature on. When a defined alias is received, the specified command sequence is substituted for the alias and executed. ALIAS? might return :ALIAS:STATE 1, indicating that the alias feature is on.

Alias:CATalog? (Query Only)

This query-only command returns a list of the currently defined alias labels, separated by commas. If no aliases are defined, the query returns the string "".

Group	Alias
Syntax	ALIAS:CATALOG?
Examples	ALIAS:CATALOG? might return the string :ALIAS:CATALOG "SETUP1", "TESTMENU1", "DEFAULT" showing that there are three aliases named SETUP1, TESTMENU1, and DEFAULT.

ALIAS:DEFINE

This command assigns a sequence of program messages to an alias label. These messages are then substituted for the alias whenever it is received as a command or query, provided that ALIAS:STATE is turned on. The query form of this command returns the definitions of a selected alias.

NOTE. Attempting to give two aliases the same name causes an error. To give a new alias the name of an existing alias, the existing alias must first be deleted.

Group	Alias
Syntax	ALIAS:DEFINE <QString> ALIAS:DEFINE?
Related Commands	ALIAS:STATE
Arguments	<QString> assigns a sequence of program messages to an alias label. The <QString> is argument is formatted as: <QString><,>{<QString> <Block>}. The first <QString> is the alias label. This label cannot be a command name. Labels must start with a letter and can contain only letters, numbers, and underscores; other characters are not allowed. The label must be less than or equal to 12 characters. The second <QString> or <Block> is a complete sequence of program messages. The messages can contain only valid commands that must be separated by semicolons and must follow all rules for concatenating commands. The sequence must be less than or equal to 256 characters.
Examples	<p>ALIAS:DEFINE "ST1", ":RECALL:SETUP 'C:/mySetup.set';:AUTOSSET EXECUTE" defines an alias named "ST1" that recalls a previously saved setup and performs an autoset.</p> <p>ALIAS:DEFINE? "ST1" returns :ALIAS:DEFINE "ST1",#247 :RECALL:SETUP 'C:/mySetup.set';:AUTOSSET EXECUTE.</p>

Alias:DELEte (No Query Form)

This command removes a specified alias and is identical to `ALIAS:DELEte:NAME`. An error message is generated if the named alias does not exist.

Group Alias

Syntax `ALIAS:DELEte <QString>`

Related Commands [*ESR?](#)
[Alias:DELEte:ALL](#)

Arguments `<QString>` is the name of the alias to be removed. Using `ALIAS:DELEte` without specifying an alias causes an execution error. `<QString>` must be a previously defined value.

Examples `ALIAS:DELETE "SETUP1"` deletes the alias named SETUP1.

Alias:DELEte:ALL (No Query Form)

This command deletes all existing aliases.

Group Alias

Syntax `ALIAS:DELEte:ALL`

Related Commands [Alias:DELEte](#)
[Alias:DELEte:NAME](#)

Examples `ALIAS:DELETE:ALL` deletes all existing aliases.

Alias:DELEte:NAME (No Query Form)

This command removes a specified alias. An error message is generated if the named alias does not exist. This command is identical to `ALIAS:DELEte`.

Group Alias

Syntax	<code>ALIAS:DELETE:NAME <QString></code>
Arguments	<code><QString></code> is the name of the alias to remove. Using <code>ALIAS:DELETE:NAME</code> without specifying an alias causes an exception error. <code><QString></code> must be a previously defined alias.
Examples	<code>ALIAS:DELETE:NAME "STARTUP"</code> deletes the alias named STARTUP.

ALIAS:STATE

This command turns aliases on or off and is identical to the [ALIAS](#) command. The query form of this command returns the state of the aliases.

Group	Alias
Syntax	<code>ALIAS:STATE {<NR1> OFF ON}</code> <code>ALIAS:STATE?</code>
Arguments	<code><NR1> = 0</code> turns off aliases; any other value turns on aliases. <code>OFF</code> turns alias expansion off. <code>ON</code> turns alias expansion on. When a defined alias is received, the specified command sequence is substituted for the alias and executed.
Examples	<code>ALIAS:STATE OFF</code> turns off the alias feature. <code>ALIAS:STATE?</code> might return <code>:ALIAS:STATE ON</code> , indicating that alias expansion is currently turned on.

ALLEV? (Query Only)

This query-only command prompts the instrument to return all events and their messages (delimited by commas), and removes the returned events from the Event Queue. Use the `*ESR?` query to enable the events to be returned. This command is similar to repeatedly sending `*EVMsg?` queries to the instrument.

Group	Status and Error
Syntax	<code>ALLEV?</code>

Related Commands [*ESR?](#)
[EVMsg?](#)

Examples ALLEV? might return :ALLEV 2225,"Measurement error, No waveform to measure; "420,"Query UNTERMINATED;".

APPLication:ACTivate (No Query Form)

For legacy TekExpress applications. Starts the application specified in the string. The available applications depend on the oscilloscope model and installed options.

Group Miscellaneous

Syntax APPLication:ACTivate <QString>

Arguments <QString> is the name of the application that you want to start. Enter the application name exactly as it appears in the oscilloscope Applications menu.

Examples APPLICATION:ACTIVATE "TekExpress Ethernet" starts the TekExpress Ethernet application.

AUTOSAVEPITIMEOUT

This command sets or queries the idle time from the programmable interface before auto-save occurs.

Group Miscellaneous

Syntax AUTOSAVEPITIMEOUT <NR1>
AUTOSAVEPITIMEOUT?

Arguments <NR1>

Examples AUTOSAVEPITIMEOUT 100000 sets the timeout to 100 seconds.

AUTOSAVEPITIMEOUT? might return :AUTOSAVEPITIMEOUT 180000 indicating the time out value is 180 seconds.

AUTOSAVEUITIMEOUT

This command sets or queries the idle time from the user interface before auto-save occurs.

Group Miscellaneous

Syntax AUTOSAVEUITIMEOUT <NR1>
AUTOSAVEUITIMEOUT?

Arguments <NR1>

Examples AUTOSAVEUITIMEOUT 4000 sets the timeout to 4 seconds.

AUTOSAVEUITIMEOUT? might return :AUTOSAVEUITIMEOUT 3000 indicating the time out value is 3 seconds.

AUTOSet (No Query Form)

This command (no query format) sets the vertical, horizontal, and trigger controls of the instrument to automatically acquire and display the selected waveform.

Group Miscellaneous

Syntax AUTOSet EXECute

Arguments EXECute autosets the displayed waveform; this is equivalent to pressing the front panel Autoset button.

Examples AUTOSet EXECute autosets the displayed waveform.

AUTOSet:ACQuisition:ENable

This command sets or queries the Autoset acquisition setting adjustment. Settings affected may include, but not be limited to, acquisition mode, and FastAcq mode.

Group Miscellaneous

Syntax	<code>AUTOSet:ACquisition:ENAbLe {ON 1 OFF 0}</code> <code>AUTOSet:ACquisition:ENAbLe?</code>
Related Commands	AUTOSet:HORizontal:ENAbLe AUTOSet:TRIGger:ENAbLe AUTOSet:VERTical:ENAbLe
Arguments	<p>ON enables Autoset to change acquisition settings.</p> <p>OFF disables Autoset from changing acquisition settings.</p> <p>1 enables Autoset to change acquisition settings.</p> <p>0 disables Autoset from changing acquisition settings.</p>
Examples	<p><code>AUTOSet:ACquisition:ENAbLe OFF</code> turns off Autoset's adjustment of the acquisition settings.</p> <p><code>AUTOSet:ACquisition:ENAbLe?</code> might return 0, indicating Autoset's adjustment of the acquisition settings is turned off.</p>

AUTOSet:ENAbLe

This command sets or queries the Autoset enable/disable feature. This is useful for classroom purposes where the instructor wants the students to achieve the desired instrument settings without the benefit of the Autoset feature.

Group	Miscellaneous
Syntax	<code>AUTOSet:ENAbLe {ON 1 OFF 0}</code> <code>AUTOSet:ENAbLe?</code>
Related Commands	AUTOSet:ACquisition:ENAbLe AUTOSet:HORizontal:ENAbLe AUTOSet:TRIGger:ENAbLe AUTOSet:VERTical:ENAbLe
Arguments	<p>ON enables Autoset.</p> <p>OFF disables Autoset.</p>

1 enables Autoset.

0 disables Autoset.

Examples `AUTOSet:ENABle ON` turns on the Autoset feature.
`AUTOSet:ENABle?` might return 1, indicating that Autoset is enabled.

AUTOSet:HORizontal:ENABle

This command sets or queries Autoset's adjustment of horizontal settings. Settings affected may include, but not be limited to, horizontal scale, horizontal position, and horizontal delay mode.

Group Miscellaneous

Syntax `AUTOSet:HORizontal:ENABle {ON|1|OFF|0}`
`AUTOSet:HORizontal:ENABle?`

Related Commands [AUTOSet:ACQuisition:ENABle](#)
[AUTOSet:TRIGger:ENABle](#)
[AUTOSet:VERTical:ENABle](#)

Arguments 1 enables Autoset to change horizontal settings.
0 disables Autoset from changing horizontal settings.
ON enables Autoset to change horizontal settings.
OFF disables Autoset from changing horizontal settings.

Examples `AUTOSet:HORizontal:ENABle OFF` turns off Autoset's adjustment of the horizontal settings.
`AUTOSet:HORizontal:ENABle?` might return 0, indicating Autoset's adjustment of the horizontal settings is turned off.

AUTOSet:TRIGger:ENABle

This command sets or queries Autoset's adjustment of trigger settings. Settings affected may include, but not be limited to, trigger level, trigger source, and trigger coupling.

Group	Miscellaneous
Syntax	<code>AUTOSet:TRIGger:ENAb1e {ON 1 OFF 0}</code> <code>AUTOSet:TRIGger:ENAb1e?</code>
Related Commands	AUTOSet:ACQuisition:ENAb1e AUTOSet:HORizontal:ENAb1e AUTOSet:VERTical:ENAb1e
Arguments	1 enables Autoset to change trigger settings. 0 disables Autoset from changing trigger settings. ON enables Autoset to change trigger settings. OFF disables Autoset from changing trigger settings.
Examples	<code>AUTOSet:TRIGger:ENAb1e OFF</code> turns off Autoset's adjustment of the trigger settings. <code>AUTOSet:TRIGger:ENAb1e?</code> might return 0, indicating Autoset's adjustment of the trigger settings is turned off.

AUTOSet:VERTical:ENAb1e

This command sets or queries Autoset's adjustment of vertical settings. Settings affected may include, but not be limited to, vertical scale, vertical position, and vertical offset.

Group	Miscellaneous
Syntax	<code>AUTOSet:VERTical:ENAb1e {ON 1 OFF 0}</code> <code>AUTOSet:VERTical:ENAb1e?</code>
Related Commands	AUTOSet:ACQuisition:ENAb1e AUTOSet:HORizontal:ENAb1e AUTOSet:TRIGger:ENAb1e
Arguments	1 enables Autoset to change vertical settings. 0 disables Autoset from changing vertical settings.

ON enables Autoset to change vertical settings.

OFF disables Autoset from changing vertical settings.

Examples `AUTOSet:VERTical:ENABle OFF` turns off Autoset's adjustment of the vertical settings.

`AUTOSet:VERTical:ENABle?` might return 0, indicating Autoset's adjustment of the vertical settings is turned off.

AUTOSet:VERTical:OPTIMize

This command sets or queries which vertical settings Autoset will optimize when the display mode is set to Overlay mode (all waveforms are in one common graticule in the Waveform View).

Group Miscellaneous

Syntax `AUTOSet:VERTical:OPTIMize {RESOLution|VISIBility}`
`AUTOSet:VERTical:OPTIMize?`

Related Commands [DISplay:WAVEView<x>:VIEWStyle](#)

Arguments `RESOLution` uses as much of the ADC's (Analog to Digital Converter) range as possible to provide the best vertical resolution and measurement accuracy, but waveforms will overlap each other.

`VISIBility` vertically scales and positions waveforms so they are visually separated from each other at the expense of vertical resolution and measurement accuracy.

Examples `AUTOSet:VERTical:OPTIMize VISIBility` will vertically scale and position all active waveforms so that they are visually separated from each other when autoset is executed.

`AUTOSet:VERTical:OPTIMize?` might return `AUTOSet:VERTical:OPTIMize RESOLUTION`, which indicates that, when executed, autoset will vertically scale/position the active waveforms to maximize the ADC range while in Overlay display mode.

AUXout:EDGE

This command sets or queries the direction in which the Auxiliary Output signal will transition when a trigger occurs.

Group Miscellaneous

Syntax AUXout:EDGE {RISing|FALing}
AUXout:EDGE?

Arguments RISing sets the polarity to the rising edge.
FALing sets the polarity to the falling edge.

Examples AUXOUT:EDGE RISING sets the polarity to rising edge.
AUXOUT:EDGE? might return :AUXOUT:EDGE FALLING, indicating that the polarity is set to falling edge.

AUXout:SOURce

This command sets or queries the source at the Auxiliary Output BNC connection.

Group Miscellaneous

Syntax AUXout:SOURce {ATRIGger|REFOUT|AFG}
AUXout:SOURce?

Arguments ATRIGger sets the source at the BNC connector to the main trigger.
REFOUT sets the source at the BNC connector to the reference output.
AFG sets the source at the BNC connector to the AFG output.

Examples AUXOUT:SOURCE? might return :AUXOUT:SOURCE ATRIGGER, indicating that the source at the BNC connector is set to the A trigger.

BUS:ADDNew (No Query Form)

This command adds the specified bus. This command creates/adds the bus but does not display it (turn it on). In order to enable bus decoding and see the bus

display on screen, send the `DISplay:WAVEView<x>:BUS:B<x>:STATE ON` command.

Group Bus

Syntax `BUS:ADDNew <QString>`

Related Commands [BUS:B<x>:TYPE](#)
[DISplay:WAVEView<x>:BUS:B<x>:STATE](#)

Arguments `<QString>` is a quoted string of the form "B<NR1>" where NR1 is ≥ 1 .

Examples `BUS:ADDNEW "B5"; :display:waveview1:bus:b5:state on` creates bus 3 with the default type of Parallel, and then turns it on.

BUS:B<x>:ARINC429A:BITRate

This command sets or queries the ARINC429 bit rate for the specified bus. The bus number is specified by x. If you select Custom, use `BUS:B<x>:ARINC429A:BITRate:CUSTOM` to set the bit rate.

Conditions Requires option SR-AERO.

Group Bus

Syntax `BUS:B<x>:ARINC429A:BITRate {LOW|HI|CUSTOM}`
`BUS:B<x>:ARINC429A:BITRate?`

Related Commands [BUS:B<x>:ARINC429A:BITRate:CUSTOM](#)

Arguments B<x> is the number of the bus.

LOW sets the bit rate to handle low speed signals.

HI sets the bit rate to handle high speed signals.

CUSTOM uses the custom bit rate set by `BUS:B<x>:ARINC429A:BITRate:CUSTOM`.

Examples `BUS:B1:ARINC429A:BITRATE LOW` sets the bit rate to handle low speed signals.
`BUS:B1:ARINC429A:BITRATE?` might return `:BUS:B1:ARINC429A:BITRATE HI`, indicating the bit rate is set to handle high speed signals.

BUS:B<x>:ARINC429A:BITRate:CUSTom

This command sets or queries the ARINC429 custom bit rate for the specified bus. The bus is specified by x.

Conditions Requires option SR-AERO.

Group Bus

Syntax `BUS:B<x>:ARINC429A:BITRate:CUSTom <NR1>`
`BUS:B<x>:ARINC429A:BITRate:CUSTom?`

Related Commands [BUS:B<x>:ARINC429A:BITRate](#)

Arguments `B<x>` is the number of the bus.
`<NR1>` is the ARINC429 custom bit rate for the specified bus.

Examples `BUS:B1:ARINC429A:BITRATE:CUSTOM 12500` sets the bit rate to 12,500.
`BUS:B1:ARINC429A:BITRATE:CUSTOM?` might return `:BUS:B1:ARINC429A:BITRATE:CUSTOM 100000`, indicating the bit rate is set to 100,000.

BUS:B<x>:ARINC429A:DATAFORmat

This command sets or queries the format of the DATA field for the specified ARINC429 bus. The bus is specified by x.

Conditions Requires option SR-AERO.

Group Bus

Syntax `BUS:B<x>:ARINC429A:DATAFORmat {DATA|SDIDATA|SDIDATASSM}`
`BUS:B<x>:ARINC429A:DATAFORmat?`

Arguments	<p>B<x> is the number of the bus.</p> <p>DATA specifies a DATA field width of 19 bits (covering bits 11 through 29 of the 32 bit packet)</p> <p>SDIDATA specifies a DATA field width of 21 bits (covering bits 9 through 29 of the 32 bit packet)</p> <p>SDIDATASSM specifies a DATA field width of 23 bits (covering bits 9 through 31 of the 32 bit packet)</p>
Examples	<p>BUS:B1:ARINC429A:DATAFORMAT SDIDATASSM sets Bus 1 ARINC429 DATA field width to 23 bits.</p> <p>BUS:B1:ARINC429A:DATAFORMAT? might return :BUS:B1:ARINC429A:DATAFORMAT DATA, indicating a DATA field width of 19 bits.</p>

BUS:B<x>:ARINC429A:POLARITY

This command sets or queries the source polarity for the specified ARINC429 bus. The bus is specified by x.

Conditions	Requires option SR-AERO.
Group	Bus
Syntax	<p>BUS:B<x>:ARINC429A:POLARITY {NORMAL INVERTED}</p> <p>BUS:B<x>:ARINC429A:POLARITY?</p>
Arguments	<p>B<x> is the number of the bus.</p> <p>NORMAL specifies normal polarity.</p> <p>INVERTED specifies inverted polarity.</p>
Examples	<p>BUS:B3:ARINC429A:POLARITY INVERTED sets Bus 3 ARINC429 polarity to inverted.</p> <p>BUS:B2:ARINC429A:POLARITY? might return :BUS:B2:ARINC429A:POLARITY NORMAL, indicating that the Bus 2 ARINC429 polarity is set to normal.</p>

BUS:B<x>:ARINC429A:SOURce

This command sets or queries the source for the specified ARINC429 bus. The bus is specified by x.

Conditions Requires option SR-AERO.

Group Bus

Syntax BUS:B<x>:ARINC429A:SOURce {CH<x>|MATH<x>|REF<x>}
BUS:B<x>:ARINC429A:SOURce?

Arguments B<x> is the number of the bus.

CH<x> specifies an analog channel as the source waveform for the ARINC429 bus.

MATH<x> specifies a math waveform as the source waveform for the ARINC429 bus.

REF<x> specifies a reference waveform as the source waveform for the ARINC429 bus.

Examples BUS:B1:ARINC429A:SOURce CH1 sets channel 1 as the source for the ARINC429 bus.

BUS:B1:ARINC429A:SOURce? might return :BUS:B1:ARINC429A:SOURce MATH2 indicating that the source is set to MATH2.

BUS:B<x>:ARINC429A:THRESHold

This command sets or queries the ARINC429 upper threshold for the specified bus. The bus is specified by x.

Conditions Requires option SR-AERO.

Group Bus

Syntax BUS:B<x>:ARINC429A:THRESHold <NR3>
BUS:B<x>:ARINC429A:THRESHold?

Related Commands [BUS:B<x>:ARINC429A:SOURce](#)

Arguments	B<x> is the number of the bus. <NR3> is the ARINC429 lower threshold for the specified bus.
Examples	BUS:B3:ARINC429A:THRESHOLD -200e-3 sets the Bus 3 ARINC429 upper threshold to -200 mV. BUS:B2:ARINC429A:THRESHOLD? might return :BUS:B2:ARINC429A:THRESHOLD -500.0000E-3 indicating the Bus 2 ARINC429 upper threshold is set to -500 mV.

BUS:B<x>:AUDIO:BITDelay

This command sets or queries the number of delay bits for the specified AUDIO bus. The bus is specified by x.

NOTE. *This command only applies to the TDM Audio type.*

Conditions	Requires option SR-AUDIO.
Group	Bus
Syntax	BUS:B<x>:AUDIO:BITDelay <NR1> BUS:B<x>:AUDIO:BITDelay?
Arguments	B<x> is the number of the bus. <NR1> specifies the number of delay bits.
Examples	BUS:B1:AUDIO:BITDELAY 2 sets the bit delay to 2. BUS:B1:AUDIO:BITDELAY? might return :BUS:B1:AUDIO:BITDELAY 1 indicating that the number of delay bits is 1.

BUS:B<x>:AUDIO:BITOrder

Specifies the bit order for the specified AUDIO bus. The bus is specified by x.

Conditions	Requires option SR-AUDIO.
-------------------	---------------------------

Group	Bus
Syntax	<code>BUS:B<x>:AUDIO:BITOrder {MSB LSB}</code> <code>BUS:B<x>:AUDIO:BITOrder?</code>
Arguments	<code>B<x></code> is the number of the bus. MSB specifies that the most significant bit will be expected first in the order. LSB specifies that the least significant bit will be expected first in the order.
Examples	<code>BUS:B1:AUDIO:BITORDER LSB</code> sets the bit order to LSB. <code>BUS:B1:AUDIO:BITORDER?</code> might return <code>:BUS:B1:AUDIO:BITORDER MSB</code> indicating that the MSB is first in the bit order.

BUS:B<x>:AUDIO:CLOCK:POLarity

This command sets or queries the clock source polarity for the specified AUDIO bus. The bus is specified by x.

Conditions	Requires option SR-AUDIO.
Group	Bus
Syntax	<code>BUS:B<x>:AUDIO:CLOCK:POLarity {FALL RISE}</code> <code>BUS:B<x>:AUDIO:CLOCK:POLarity?</code>
Arguments	<code>B<x></code> is the number of the bus. FALL sets falling edge as the clock polarity. RISE sets rising edge as the clock polarity.
Examples	<code>BUS:B1:AUDIO:CLOCK:POLARITY FALL</code> sets the clock polarity to Fall. <code>BUS:B1:AUDIO:CLOCK:POLARITY?</code> might return <code>:BUS:B1:AUDIO:CLOCK:POLARITY RISE</code> indicating that the clock polarity is set to Rise.

BUS:B<x>:AUDio:CLOCK:SOURce

This command sets or queries the clock source waveform for the specified AUDIO bus. The bus is specified by x.

Conditions	Requires option SR-AUDIO.
Group	Bus
Syntax	<pre>BUS:B<x>:AUDio:CLOCK:SOURce {CH<x> CH<x>_D<x> MATH<x> REF<x> REF<x>_D<x>} BUS:B<x>:AUDio:CLOCK:SOURce?</pre>
Arguments	<p>B<x> is the number of the bus.</p> <p>CH<x> specifies an analog channel as the clock source waveform for the audio bus.</p> <p>CH<x>_D<x> specifies a digital channel as the clock source waveform for the specified audio bus.</p> <p>MATH<x> specifies a math waveform as the clock source waveform for the audio bus.</p> <p>REF<x> specifies a reference waveform as the clock source waveform for the audio bus.</p> <p>REF<x>_D<x> specifies a digital reference waveform as the clock source waveform for the specified audio bus.</p>
Examples	<pre>BUS:B1:AUDIO:CLOCK:SOURCE CH1_D1 sets D1 of channel 1 as the clock source for the audio bus. BUS:B1:AUDIO:CLOCK:SOURCE? might return :BUS:B1:AUDIO:CLOCK:SOURCE CH1 indicating that the clock source is set to channel 1.</pre>

BUS:B<x>:AUDio:CLOCK:THReshold

This command sets or queries the audio clock source threshold for the specified bus. The bus is specified by x.

Conditions	Requires option SR-AUDIO.
Group	Bus

Syntax `BUS:B<x>:AUDIO:CLOCK:THRESHOLD <NR3>`
`BUS:B<x>:AUDIO:CLOCK:THRESHOLD?`

Related Commands [BUS:B<x>:AUDIO:CLOCK:SOURCE](#)

Arguments `B<x>` is the number of the bus.
`<NR3>` is the audio clock source threshold for the specified bus.

Examples `BUS:B3:AUDIO:CLOCK:THRESHOLD 500.0E-3` sets the Bus 3 audio Cclock source threshold to 500.0 mV.
`BUS:B2:AUDIO:CLOCK:THRESHOLD?` might return
`:BUS:B2:AUDIO:CLOCK:THRESHOLD 1.0` indicates the Bus 2 audio clock source threshold is set to 1.0 V.

BUS:B<x>:AUDIO:DATA:POLARITY

This command sets or queries the audio data source polarity for the specified audio bus. The bus is specified by x.

Conditions Requires option SR-AUDIO.

Group Bus

Syntax `BUS:B<x>:AUDIO:DATA:POLARITY {HIGH|LOW}`
`BUS:B<x>:AUDIO:DATA:POLARITY?`

Arguments `B<x>` is the number of the bus.
`HIGH` specifies positive data polarity for the audio bus.
`LOW` specifies negative data polarity for the audio bus.

Examples `BUS:B1:AUDIO:DATA:POLARITY LOW` sets the data polarity to LOW.
`BUS:B1:AUDIO:DATA:POLARITY?` might return
`:BUS:B1:AUDIO:DATA:POLARITY HIGH` indicating that the data polarity is set to HIGH.

BUS:B<x>:AUDio:DATA:SIZE

This command sets or queries the number of bits per channel for the specified audio bus. This command only applies to the TDM Audio type. The bus is specified by x.

Conditions Requires option SR-AUDIO.

Group Bus

Syntax BUS:B<x>:AUDio:DATA:SIZE <NR1>
BUS:B<x>:AUDio:DATA:SIZE?

Arguments B<x> is the number of the bus.
NR1 specifies the number of bits per word.

Examples BUS:B1:AUDIO:DATA:SIZE 8 sets the number of bits per word to 8.
BUS:B1:AUDIO:DATA:SIZE? might return :BUS:B1:AUDIO:DATA:SIZE 24 indicating that the number of bits per word is set to 24.

BUS:B<x>:AUDio:DATA:SOURce

This command sets or queries the audio data source for the specified audio bus. The bus is specified by x.

Conditions Requires option SR-AUDIO.

Group Bus

Syntax BUS:B<x>:AUDio:DATA:SOURce
{CH<x>|CH<x>_D<x>|MATH<x>|REF<x>|REF<x>_D<x>}
BUS:B<x>:AUDio:DATA:SOURce?

Arguments B<x> is the number of the bus.
CH<x> specifies an analog channel as the data source waveform for the audio bus.
CH<x>_D<x> specifies a digital channel as the data source waveform for the audio bus.

MATH<x> specifies an math waveform as the data source waveform for the audio bus.

REF<x> specifies an reference waveform as the data source waveform for the audio bus.

REF<x>_D<x> specifies a digital reference waveform as the data source waveform for the specified audio bus.

Examples `BUS:B1:AUDIO:DATA:SOURCE CH1_D1` sets the data source to D1 of FlexChannel 1.

`BUS:B1:AUDIO:DATA:SOURCE?` might return `:BUS:B1:AUDIO:DATA:SOURCE CH3` indicating that the data source is set to CH3.

BUS:B<x>:AUDio:DATA:THReshold

This command sets or queries the audio data source threshold for the specified bus. The bus is specified by x.

Conditions Requires option SR-AUDIO.

Group Bus

Syntax `BUS:B<x>:AUDio:DATA:THReshold <NR3>`
`BUS:B<x>:AUDio:DATA:THReshold?`

Related Commands [BUS:B<x>:AUDio:DATA:SOURce](#)

Arguments `B<x>` is the number of the bus.
`<NR3>` is the audio data source threshold for the specified bus.

Examples `BUS:B3:AUDIO:DATA:THRESHOLD 1.5` sets the Bus 3 audio clock source threshold to 500.0 mV.
`BUS:B2:AUDIO:DATA:THRESHOLD?` might return `:BUS:B2:AUDIO:DATA:THRESHOLD 500.0000E-3` indicates the Bus 2 audio data source threshold is set to 500 mV.

BUS:B<x>:AUDio:DATa:WORDSize

This command sets or queries the audio bits per word for the specified bus. The bus is specified by x.

Group	Bus
Syntax	BUS:B<x>:AUDio:DATa:WORDSize <NR1> BUS:B<x>:AUDio:DATa:WORDSize?
Arguments	B<x> is the number of the bus. <NR1> is the audio bits per word for the specified bus.
Examples	BUS:B1:AUDio:DATa:WORDSize 24 sets the audio bits per word to 24 bits. BUS:B1:AUDio:DATa:WORDSize? might return :BUS:B1:AUDIO:DATA:WORDSIZE 24 indicating the bits per word is 24.

BUS:B<x>:AUDio:FRAME:CLOCKBITSPERCHANNEL

This command sets or queries the audio bits of sync width for the specified bus. The bus is specified by x.

NOTE. *This command only applies to the TDM Audio type.*

Conditions	Requires option SR-AUDIO.
Group	Bus
Syntax	BUS:B<x>:AUDio:FRAME:CLOCKBITSPERCHANNEL <NR1> BUS:B<x>:AUDio:FRAME:CLOCKBITSPERCHANNEL?
Arguments	B<x> is the number of the bus. <NR1> is the audio bits of sync width for the specified bus.
Examples	BUS:B1:AUDio:FRAME:CLOCKBITSPERCHANNEL 32 sets the number of bits to 32.

`BUS:B1:Audio:FRAME:CLOCKBITSPERCHANNEL?` might return
`:BUS:B1:Audio:FRAME:CLOCKBITSPERCHANNEL 24` indicating there are 24 bits of sync width for the bus.

BUS:B<x>:Audio:FRAME:SIZE

This command sets or queries the number of audio channels in each frame for the specified AUDIO bus. The bus is specified by x.

NOTE. *This command only applies to the TDM Audio type.*

Conditions	Requires option SR-AUDIO.
Group	Bus
Syntax	<code>BUS:B<x>:Audio:FRAME:SIZE <NR1></code> <code>BUS:B<x>:Audio:FRAME:SIZE?</code>
Arguments	<code>B<x></code> is the number of the bus. <code><NR1></code> specifies the number of channels in each frame.
Examples	<code>BUS:B1:Audio:FRAME:SIZE 2</code> sets the frame size to 2. <code>BUS:B1:Audio:FRAME:SIZE?</code> might return <code>:BUS:B1:Audio:FRAME:SIZE 8</code> indicating that the number of channels in each frame is set to 8.

BUS:B<x>:Audio:TYPE

This command sets or queries the audio format (type) for the specified audio bus. The bus is specified by x.

Conditions	Requires option SR-AUDIO.
Group	Bus
Syntax	<code>BUS:B<x>:Audio:TYPE {I2S LJ RJ TDM}</code> <code>BUS:B<x>:Audio:TYPE?</code>

Arguments B<x> is the number of the bus.
 I2S specifies the I²S audio format.
 LJ specifies the left-justified audio format.
 RJ specifies the right-justified audio format.
 TDM specifies the time-division multiplexing audio format.

Examples BUS:B1:AUDIO:TYPE RJ sets right-justified as the audio format.
 BUS:B1:AUDIO:TYPE? might return :BUS:B1:AUDIO:TYPE I2S indicating that the audio format is set to I²S.

BUS:B<x>:AUDio:WORDSel:POLarity

This command sets or queries the word select source polarity for the specified audio bus. The bus is specified by x.

Conditions Requires option SR-AUDIO.

Group Bus

Syntax BUS:B<x>:AUDio:WORDSel:POLarity {NORMa1|INVERTed}
 BUS:B<x>:AUDio:WORDSel:POLarity?

Arguments B<x> is the number of the bus.
 NORMa1 specifies positive polarity.
 INVERTed specifies negative polarity.

Examples BUS:B1:AUDIO:WORDSEL:POLARITY NORMa1 sets normal as the word select polarity.
 BUS:B1:AUDIO:WORDSEL:POLARITY? might return :BUS:B1:AUDIO:WORDSEL:POLARITY NORMAL indicating that the word select polarity is set to normal.

BUS:B<x>:AUDio:WORDSel:SOUrce

This command sets or queries the audio word select source waveform for the specified audio bus. The bus is specified by x.

Conditions	Requires option SR-AUDIO.
Group	Bus
Syntax	BUS:B<x>:AUDIO:WORDSEL:SOURCe {CH<x> CH<x>_D<x> MATH<x> REF<x> REF<x>_D<x>} BUS:B<x>:AUDIO:WORDSEL:SOURce?
Arguments	B<x> is the number of the bus. CH<x> specifies an analog channel as the word select source waveform. CH<x>_D<x> specifies a digital channel as the word select source waveform. MATH<x> specifies an math waveform as the word select source waveform. REF<x> specifies an reference waveform as the word select source waveform. REF<x>_D<x> specifies a digital reference waveform as the word select source waveform for the specified audio bus.
Examples	BUS:B1:AUDIO:WORDSEL:SOURCe CH1 sets CH1 as the word select source. BUS:B1:AUDIO:WORDSEL:SOURCe CH2_D3 sets D3 of FlexChannel 2 as the word select source. BUS:B1:AUDIO:WORDSEL:SOURce? might return :BUS:B1:AUDIO:WORDSEL:SOURCe CH2 indicating that the word select source is set to CH2.

BUS:B<x>:AUDIO:WORDSEL:THReshold

This command sets or queries the audio word select source threshold for the specified bus. The bus is specified by x.

Conditions	Requires option SR-AUDIO.
Group	Bus
Syntax	BUS:B<x>:AUDIO:WORDSEL:THReshold <NR3> BUS:B<x>:AUDIO:WORDSEL:THReshold?

Arguments	B<x> is the number of the bus. <NR3> is the audio word select source threshold for the specified bus.
Examples	BUS:B4:AUDIO:WORDSEL:THRESHOLD 300.0E-3 sets the Bus 4 audio word select source threshold to 300 mV. BUS:B1:AUDIO:WORDSEL:THRESHOLD? might return :BUS:B1:AUDIO:WORDSEL:THRESHOLD 1.25 indicates the Bus 1 audio word select source threshold is set to 1.25 V.

BUS:B<x>:AUTOETHERnet:BITRate

This command sets or queries bitrate for Auto Ethernet Bus with speed 10 Base-T1S. The bit input for rate argument is NRF and output is NR1

Conditions	Requires option SR-AUTOEN1
Group	Bus
Syntax	BUS:B<x>:AUTOETHERnet:BITRate <NR1> BUS:B<x>:AUTOETHERnet:BITRate?
Arguments	B<x> is the Bus number. <NR1> specifies the bit rate. The maximum value is 1 Gbps and the default is 10 Mbps.
Examples	BUS:B3:AUTOETHERnet:BITRate 10000000 sets the Bus 3 bit rate to 10 Mbps. BUS:B3:AUTOETHERnet:BITRate? might return BUS:B3:AUTOETHERnet:BITRate 10000000 , indicating the Bus 3 bit rate is 10 Mbps.

BUS:B<x>:AUTOETHERnet:DATAMINUSTHRESHOLD

This command sets or queries the AutoEthernet D– source threshold level for the specified bus. This threshold only applies when the AutoEthernet signal type is single ended.

Conditions	Requires option SR-AUTOENET
-------------------	-----------------------------

The AutoEthernet signal type is single ended.

Group	Bus
Syntax	<code>BUS:B<x>:AUTOETHERnet:DATAMINUSTHRESHOLD <NR3></code> <code>BUS:B<x>:AUTOETHERnet:DATAMINUSTHRESHOLD?</code>
Arguments	<code>B<x></code> is the Bus number. <NR3> specifies the AutoEthernet D– source threshold level for the specified bus, in volts. This threshold only applies when the AutoEthernet signal type is single ended.
Examples	<code>BUS:B3:AUTOETHERnet:DATAMINUSTHRESHOLD 250.0E-3</code> sets the Bus 3 AutoEthernet D– source threshold level to 250.0000 mV. <code>BUS:B2:AUTOETHERnet:DATAMINUSTHRESHOLD?</code> might return <code>BUS:B2:AUTOETHERnet:DATAMINUSTHRESHOLD 1.0</code> , indicating the Bus 2 AutoEthernet D– source threshold level is set to 1.0 V.

BUS:B<x>:AUTOETHERnet:DATAPLUSTHRESHold

This command sets or queries the AutoEthernet D+ source threshold level for the specified bus. This threshold only applies when the AutoEthernet signal type is single ended.

Conditions	Requires option SR-AUTOENET The AutoEthernet signal type is single ended.
Group	Bus
Syntax	<code>BUS:B<x>:AUTOETHERnet:DATAPLUSTHRESHold <NR3></code> <code>BUS:B<x>:AUTOETHERnet:DATAPLUSTHRESHold?</code>
Arguments	<code>B<x></code> is the Bus number. <NR3> specifies the AutoEthernet D+ source threshold for the specified bus, in volts. This threshold only applies when the AutoEthernet signal type is single ended.

Examples `BUS:B3:AUTOETHERnet:DATAPLUSTHRESHOLD 250.0E-3` sets the Bus 3 AutoEthernet D+ source threshold level to 250.0000 mV.

`BUS:B2:AUTOETHERnet:DATAPLUSTHRESHOLD?` might return
`BUS:B2:AUTOETHERnet:DATAPLUSTHRESHOLD 1.0`, indicating the Bus 2 AutoEthernet D+ source threshold level is set to 1.0 V.

BUS:B<x>:AUTOETHERnet:LOWDATAMINus

This command sets or queries the AutoEthernet D– source low threshold level for the specified bus. This threshold only applies when the AutoEthernet signal type is single ended.

Conditions Requires option SR-AUTOENET

The AutoEthernet signal type is single ended.

Group Bus

Syntax `BUS:B<x>:AUTOETHERnet:LOWDATAMINus <NR3>`
`BUS:B<x>:AUTOETHERnet:LOWDATAMINus?`

Arguments B<x> is the Bus number.

<NR3> specifies the AutoEthernet D– source low threshold level for the specified bus, in volts. This threshold only applies when the AutoEthernet signal type is single ended.

Examples `BUS:B1:AUTOETHERnet:LOWDATAMINus 250.0E-3` sets the Bus 1 AutoEthernet D– source low threshold level to 250.0000 mV.

`BUS:B2:AUTOETHERnet:LOWDATAMINus?` might return
`BUS:B2:AUTOETHERnet:LOWDATAMINus 1.0`, indicating the Bus 2 AutoEthernet D– source threshold level is set to 1.0 V.

BUS:B<x>:AUTOETHERnet:LOWDATAPLUS

This command sets or queries the AutoEthernet D+ source low threshold level for the specified bus. This threshold only applies when the AutoEthernet signal type is single ended.

Conditions Requires option SR-AUTOENET

The AutoEthernet signal type is single ended.

Group Bus

Syntax BUS:B<x>:AUTOETHERnet:LOWDATAPLUS<NR3>
 BUS:B<x>:AUTOETHERnet:LOWDATAPLUS?

Arguments B<x> is the Bus number.
 <NR3> specifies the AutoEthernet D+ source low threshold level for the specified bus, in volts. This threshold only applies when the AutoEthernet signal type is single ended.

Examples BUS:B3:AUTOETHERnet:LOWDATAPLUS 250.0E-3 sets the Bus 3 AutoEthernet D+ source low threshold level to 250.0000 mV.
 BUS:B2:AUTOETHERnet:LOWDATAPLUS? might return
 BUS:B2:AUTOETHERnet:LOWDATAPLUS 1.0, indicating the Bus 2 AutoEthernet D+ source low threshold level is set to 1.0 V.

BUS:B<x>:AUTOETHERnet:LOWTHRESHold

This command sets or queries the AutoEthernet Data source Low threshold level for the specified bus. This threshold only applies when the AutoEthernet signal type is differential.

Conditions Requires option SR-AUTOENET
 The AutoEthernet signal type is differential.

Group Bus

Syntax BUS:B<x>:AUTOETHERnet:LOWTHRESHold <NR3>
 BUS:B<x>:AUTOETHERnet:LOWTHRESHold?

Related Commands [BUS:B<x>:AUTOETHERnet:SIGNALTYpe](#)

Arguments	B<x> is the Bus number. <NR3> specifies the AutoEthernet DATA source Low threshold level for the specified bus, in volts. This threshold only applies when the AutoEthernet signal type is differential.
Examples	BUS:B1:AUTOETHERnet:LOWTHRESHo1d -200e-3 sets the bus 1 low threshold to -200 mV. BUS:B3:AUTOETHERnet:LOWTHRESHo1d? might return BUS:B3:AUTOETHERnet:LOWTHRESHOLD -500.0000E-3, indicating the threshold is set to -500 mV for bus 3.

BUS:B<x>:AUTOETHERnet:PACKetview

This command sets or queries the Auto Ethernet bus Packet View when speed is selected as 10 Base-T1S.

Conditions	Requires option SR-AUTOEN1
Group	Bus
Syntax	BUS:B<x>:AUTOETHERnet:PACKetview {ON OFF} BUS:B<x>:AUTOETHERnet:PACKetview?
Arguments	B<x> is the Bus number. ON sets the packet view for the decode to on. OFF sets the packet view for the decode to off.
Examples	BUS:B1:AUTOETHERnet:PACKetview OFF sets the packet view to off. BUS:B1:AUTOETHERnet:PACKetview? might return BUS:B1:AUTOETHERnet:PACKetview OFF, indicating that packet view is set to off.

BUS:B<x>:AUTOETHERnet:SIGNALTYpe

This command sets or queries the AutoEthernet signal type for the specified bus.

Conditions	Requires option SR-AUTOENE1
-------------------	-----------------------------

	The AutoEthernet signal type is single ended.
Group	Bus
Syntax	<code>BUS:B<x>:AUTOETHERnet:SIGNALType {SINGLE DIFF}</code> <code>BUS:B<x>:AUTOETHERnet:SIGNALType?</code>
Arguments	<code>B<x></code> is the Bus number. SINGLE specifies single-ended signals. DIFF specifies differential signals.
Examples	<code>BUS:B4:AUTOETHERnet:SIGNALType SINGLE</code> specifies the AutoEthernet signal type as single-ended for Bus B4. <code>BUS:B3:AUTOETHERnet:SIGNALType?</code> might return <code>BUS:B3:AUTOETHERnet:SIGNALType DIFF</code> , indicating that the AutoEthernet signal type is differential for Bus 3.

BUS:B<x>:AUTOETHERnet:SOUrce

This command sets or queries the AutoEthernet data (SDATA) source for the specified bus. This command controls the source channel when the signal type is differential.

Conditions	Requires option SR-AUTOENET
Group	Bus
Syntax	<code>BUS:B<x>:AUTOETHERnet:SOUrce {CH<x> MATH<x> REF<x>}</code> <code>BUS:B<x>:AUTOETHERnet:SOUrce?</code>
Related Commands	BUS:B<x>:AUTOETHERnet:THRESHold
Arguments	<code>B<x></code> is the Bus number. <code>CH<x></code> specifies an analog channel as the AutoEthernet data source for differential input, where <code><x></code> is the channel number. <code>MATH<x></code> specifies a math channel as the AutoEthernet data source for differential input, where <code><x></code> is the math waveform number.

REF<x> specifies a reference waveform as the AutoEthernet data source for differential input, where <x> is the reference waveform number.

Examples `BUS:B5:AUTOETHERnet:SOURCE CH4` specifies to use the channel 4 waveform as the source for AutoEthernet data on bus 5.

`BUS:B1:AUTOETHERnet:SOURCE?` might return
`BUS:B1:AUTOETHERnet:SOURCE? CH2`, indicating that channel 2 is the currently specified source for AutoEthernet data on bus 1.

BUS:B<x>:AUTOETHERnet:SOURce:DMINus

This command sets or queries the AutoEthernet D– source for the specified bus. This command specifies the source channel to use when the signal type is single ended.

Conditions Requires option SR-AUTOENET

Group Bus

Syntax `BUS:B<x>:AUTOETHERnet:SOURce:DMINus {CH<x>|MATH<x>|REF<x>}`
`BUS:B<x>:AUTOETHERnet:SOURce:DMINus?`

Arguments `B<x>` is the Bus number.

`CH<x>` specifies an analog channel as the source for the D– signal, where <x> is the channel number.

`MATH<x>` specifies a math channel as the source for the D– signal, where <x> is the math waveform number.

`REF<x>` specifies a reference waveform as the source for the D– signal, where <x> is the reference waveform number.

Examples `BUS:B2:AUTOETHERnet:SOURce:DMINus CH5` sets the D– source to channel 5 for bus 2.

`BUS:B1:AUTOETHERnet:SOURce:DMINus?` might return
`BUS:B1:AUTOETHERnet:SOURce:DMINus CH6`, indicating the D– source is set to channel 6 for bus 1.

BUS:B<x>:AUTOETHERnet:SOURce:DPLUs

This command sets or queries the AutoEthernet D+ source for the specified bus. This command specifies the source channel to use when the signal type is single ended.

Conditions	Requires option SR-AUTOENET
Group	Bus
Syntax	BUS:B<x>:AUTOETHERnet:SOURce:DPLUS {CH<x> MATH<x> REF<x>} BUS:B<x>:AUTOETHERnet:SOURce:DPLUS?
Arguments	<p>B<x> is the Bus number.</p> <p>CH<x> specifies an analog channel as the source for the D+ signal, where <x> is the channel number.</p> <p>MATH<x> specifies a math channel as the source for the D+ signal, where <x> is the math waveform number.</p> <p>REF<x> specifies a reference waveform as the source for the D+ signal, where <x> is the reference waveform number.</p>
Examples	<p>BUS:B2:AUTOETHERnet:SOURce:DPLUS CH5 sets the D+ source to channel 5 for bus 2.</p> <p>BUS:B1:AUTOETHERnet:SOURce:DPLUS? might return BUS:B1:AUTOETHERnet:SOURce:DPLUS CH8, indicating the D+ source is set to channel 8 for bus 1.</p>

BUS:B<x>:AUTOETHERnet:TBT1s:MTHReshold

This command sets or queries Auto Ethernet Bus with speed 10 Base-T1S math source threshold for single-ended for the specified bus.

Conditions	Requires option SR-AUTOEN1
Group	Bus
Syntax	BUS:B<x>:AUTOETHERnet:TBT1s:MTHReshold <NR3> BUS:B<x>:AUTOETHERnet:TBT1s:MTHReshold?

Arguments	B<x> is the Bus number. <NR3> specifies the AutoEthernet D+ source threshold for the specified bus, in volts.
Examples	BUS:B3:AUTOETHERnet:TENBASET1S:MTHRESHo1d 250.0E-3 sets the Bus 3 AutoEthernet threshold level to 250.0000 mV. BUS:B2:AUTOETHERnet:TENBASET1S:MTHRESHo1d? might return BUS:B2:AUTOETHERnet:TENBASET1S:MTHRESHo1d 1.0 , indicating the Bus 2 AutoEthernet threshold level is set to 1.0 V.

BUS:B<x>:AUTOETHERnet:TENBASET1S:THRESHo1d

This command sets or queries Auto Ethernet Bus with speed 10 Base-T1S differential source threshold for the specified bus.

Conditions	Requires option SR-AUTOEN1
Group	Bus
Syntax	BUS:B<x>:AUTOETHERnet:TENBASET1S:THRESHo1d <NR3> BUS:B<x>:AUTOETHERnet:TENBASET1S:THRESHo1d?
Arguments	B<x> is the Bus number. <NR3> specifies the AutoEthernet source threshold for the specified bus, in volts.
Examples	BUS:B3:AUTOETHERnet:TENBASET1S:THRESHo1d 250.0E-3 sets the Bus 3 AutoEthernet threshold level to 250.0000 mV. BUS:B2:AUTOETHERnet:TENBASET1S:THRESHo1d? might return BUS:B2:AUTOETHERnet:TENBASET1S:THRESHo1d 1.0 , indicating the Bus 2 AutoEthernet threshold level is set to 1.0 V.

BUS:B<x>:AUTOETHERnet:THRESHo1d

This command sets or queries the AutoEthernet DATA source High threshold level for the specified bus.

Conditions	Requires option SR-AUTOENET
-------------------	-----------------------------

Group	Bus
Syntax	BUS:B<x>:AUTOETHERnet:THRESHo1d <NR3> BUS:B<x>:AUTOETHERnet:THRESHo1d?
Related Commands	BUS:B<x>:AUTOETHERnet:SOUrce
Arguments	B<x> is the Bus number. <NR3> specifies the AutoEthernet DATA source High threshold level for the specified bus, in volts.
Examples	BUS:B4:AUTOETHERnet:THRESHOLD 1.0 sets the Bus 4 AutoEthernet Data source High threshold level to 1.0 V. BUS:B3:AUTOETHERnet:THRESHOLD? might return BUS:B3:AUTOETHERnet:THRESHOLD 225.00000E-3, indicating the Bus 3 AutoEthernet Data source High threshold level is set to 225.0 mV.

BUS:B<x>:AUTOETHERnet:TYPE

This command sets or queries the AutoEthernet standard speed.

Conditions	Requires option SR-AUTOENET
Group	Bus
Syntax	BUS:B<x>:AUTOETHERnet:TYPE {HUNDREDBASET1 TENBASET1S} BUS:B<x>:AUTOETHERnet:TYPE?
Arguments	B<x> is the Bus number. HUNDREDBASET1 specifies the AutoEthernet speed as 100Base-T1. TENBASET1S specifies the Auto Ethernet speed as 10 Base-T1S.
Examples	BUS:B1:AUTOETHERnet:TYPE HUNDREDBASET1 specifies the AutoEthernet speed as 100Base-T1. BUS:B3:AUTOETHERnet:TYPE? might return BUS:B3:AUTOETHERnet:TYPE HUNDREDBASET1, indicating that the AutoEthernet speed is 100Base-T1 for Bus 3.

BUS:B<x>:CAN:BITRate

This command sets or queries the CAN bit rate. The bus number is specified by x. If you select Custom, use [BUS:B<x>:CAN:BITRate:VALue](#) to set the bit rate.

Conditions Requires option SR-AUTO.

Group Bus

Syntax `BUS:B<x>:CAN:BITRate {RATE10K| RATE100K| RATE1M| RATE125K| RATE153K| RATE20K| RATE25K| RATE250K| RATE31K| RATE33K| RATE400K| RATE50K| RATE500K| RATE62K| RATE68K| RATE800K| RATE83K| RATE92K| CUSTOM}`
`BUS:B<x>:CAN:BITRate?`

Related Commands [BUS:B<x>:CAN:BITRate:VALue](#)

Arguments B<x> is the number of the bus.

RATE10K sets the CAN bit rate to 10 k.

RATE100K sets the CAN bit rate to 100 k.

RATE1M sets the CAN bit rate to 1 Mb.

RATE125K sets the CAN bit rate to 125 k.

RATE153K sets the CAN bit rate to 153 k.

RATE20K sets the CAN bit rate to 20 k.

RATE25K sets the CAN bit rate to 25 k.

RATE250K sets the CAN bit rate to 250 k.

RATE31K sets the CAN bit rate to 31 k.

RATE33K sets the CAN bit rate to 33 k.

RATE400K sets the CAN bit rate to 400 k.

RATE50K sets the CAN bit rate to 50 k.

RATE500K sets the CAN bit rate to 500 k.

RATE62K sets the CAN bit rate to 62 k.

RATE68K sets the CAN bit rate to 68 k.

RATE800K sets the CAN bit rate to 800 k.

RATE83K sets the CAN bit rate to 83 k.

RATE92K sets the CAN bit rate to 92 k.

CUSTOM sets a custom CAN bit rate.

Examples `BUS:B1:CAN:BITRate RATE1M` sets the CAN bit rate to 1 Mb.
`BUS:B1:CAN:BITRate?` might return `:BUS:B1:CAN:BITRATE RATE500K`,
indicating the CAN bit rate is set to 500 k.

BUS:B<x>:CAN:BITRate:VALue

This command sets or queries CAN bit rate when Custom is selected by [BUS:B<x>:CAN:BITRate](#). The bus number is specified by x.

Conditions Requires option SR-AUTO.

Group Bus

Syntax `BUS:B<x>:CAN:BITRate:VALue <NR3>`
`BUS:B<x>:CAN:BITRate:VALue?`

Related Commands [BUS:B<x>:CAN:BITRate](#)

Arguments `B<x>` is the number of the bus.
`<NR3>` specifies the CAN bit rate.

Returns `<NR1>` is the bit rate.

Examples `BUS:B1:CAN:BITRate:VALue 400.0E+3` sets the bit rate to 400 k.
`BUS:B1:CAN:BITRate:VALue?` might return `:BUS:B1:CAN:BITRATE:VALUE 500000`, indicating that the bit rate is set to 500,000.

BUS:B<x>:CAN:FD:BITRate

This command sets or queries the increased data phase bit rate used by CAN FD packets on the specified CAN bus. The bus is specified by x. If you select Custom, use `BUS:B<x>:CAN:FD:BITRate:CUSTOM` to set the bit rate.

Conditions Requires option SR-AUTO.

Group Bus

Syntax BUS:B<x>:CAN:FD:BITRate {RATE1M| RATE2M| RATE3M| RATE4M| RATE5M| RATE6M| RATE7M| RATE8M| RATE9M| RATE10M| RATE11M| RATE12M| RATE13M| RATE14M| RATE15M| RATE16M| CUSTom}
BUS:B<x>:CAN:FD:BITRate?

Related Commands [BUS:B<x>:CAN:FD:BITRate:CUSTom](#)

Arguments B<x> is the number of the bus.

RATE1M sets the CAN FD bit rate to 1 Mbps.

RATE2M sets the CAN FD bit rate to 2 Mbps.

RATE3M sets the CAN FD bit rate to 3 Mbps.

RATE4M sets the CAN FD bit rate to 4 Mbps.

RATE5M sets the CAN FD bit rate to 5 Mbps.

RATE6M sets the CAN FD bit rate to 6 Mbps.

RATE7M sets the CAN FD bit rate to 7 Mbps.

RATE8M sets the CAN FD bit rate to 8 Mbps.

RATE9M sets the CAN FD bit rate to 9 Mbps.

RATE10M sets the CAN FD bit rate to 10 Mbps.

RATE11M sets the CAN FD bit rate to 11 Mbps.

RATE12M sets the CAN FD bit rate to 12 Mbps.

RATE13M sets the CAN FD bit rate to 13 Mbps.

RATE14M sets the CAN FD bit rate to 14 Mbps.

RATE15M sets the CAN FD bit rate to 15 Mbps.

RATE16M sets the CAN FD bit rate to 16 Mbps.

CUSTom sets a custom CAN FD bit rate.

Examples BUS:B1:CAN:BITRATE RATE1M sets the CAN FD bit rate to 1 Mbps.

BUS:B1:CAN:BITRATE? might return :BUS:B1:CAN:BITRATE RATE4M, indicating that the CAN FD bit rate is 4 Mbps.

BUS:B<x>:CAN:FD:BITRate:CUSTom

This command sets or queries the custom bit rate for the increased data phase of CAN FD packets on the specified CAN bus. The bus is specified by x.

Conditions	Requires option SR-AUTO.
Group	Bus
Syntax	<code>BUS:B<x>:CAN:FD:BITRate:CUSTom <NR1></code> <code>BUS:B<x>:CAN:FD:BITRate:CUSTom?</code>
Related Commands	BUS:B<x>:CAN:BITRate
Arguments	<code>B<x></code> is the number of the bus. <code><NR1></code> is the custom FD bit rate for the specified bus.
Examples	<code>BUS:B1:CAN:FD:BITRATE:CUSTOM 1000000</code> sets the bit rate to 1,000,000. <code>BUS:B1:CAN:FD:BITRATE:CUSTOM?</code> might return <code>:BUS:B1:CAN:FD:BITRATE:CUSTOM 4000000</code> , indicating the bit rate is set to 4,000,000.

BUS:B<x>:CAN:SAMPLEpoint

This command sets or queries the sample point for the specified CAN bus. The bus is specified by x.

Conditions	Requires option SR-AUTO.
Group	Bus
Syntax	<code>BUS:B<x>:CAN:SAMPLEpoint <NR1></code> <code>BUS:B<x>:CAN:SAMPLEpoint?</code>
Arguments	<code>B<x></code> is the number of the bus. <code><NR1></code> is the sample point, in percent, for the specified CAN bus.

Examples `BUS:B1:CAN:SAMPLEpoint 40` sets the sample point to 40%.
`BUS:B1:CAN:SAMPLEpoint?` might return `:BUS:B1:CAN:SAMPLEPOINT 50` indicating the sample point is at 50%.

BUS:B<x>:CAN:SIGNal

This command sets or queries the signal type for the specified CAN bus. The bus is specified by x.

Conditions Requires option SR-AUTO.

Group Bus

Syntax `BUS:B<x>:CAN:SIGNal {DIFFerential|CANH|CANL|RX|TX}`
`BUS:B<x>:CAN:SIGNal?`

Arguments B<x> is the number of the bus.
 DIFFerential sets the signal type to differential.
 CANH sets the signal type to CANH.
 CANL sets the signal type to CANL.
 RX sets the signal type to RX.
 TX sets the signal type to TX.

Examples `BUS:B1:CAN:SINal CANL` sets the signal type to CANL.
`BUS:B1:CAN:SINal?` might return `:BUS:B1:CAN:SIGNAL CANH` indicating the signal type is CANH.

BUS:B<x>:CAN:SOUrce

This command sets or queries the CAN source channel for the specified CAN bus. The bus number is specified by x.

Conditions Requires option SR-AUTO.

Group Bus

Syntax `BUS:B<x>:CAN:SOURce`
 `{CH<x>|CH<x>_D<x>|MATH<x>|REF<x>|REF<x>_D<x>}`
 `BUS:B<x>:CAN:SOURce?`

Arguments `B<x>` is the number of the bus.
 `CH<x>` specifies an analog channel to use source.
 `CH<x>_D<x>` specifies a digital channel to use as the source.
 `MATH<x>` specifies a math waveform to use as the source.
 `REF<x>` specifies a reference waveform to use as the source.
 `REF<x>_D<x>` specifies a digital reference waveform as the source.

Examples `BUS:B1:CAN:SOURce MATH6` sets the source channel to MATH6.
 `BUS:B1:CAN:SOURce?` might return `:BUS:B1:CAN:SOURCE CH1`, indicating that the CAN source channel is CH1.

BUS:B<x>:CAN:STANDARD

This command sets or queries which CAN standard specification to analyze the specified CAN bus with. The bus is specified by x.

Conditions Requires option SR-AERO.

Group Bus

Syntax `BUS:B<x>:CAN:STANDARD {CAN2X|CAN2X_FDISO_XL|CAN_XL|FDISO|`
 `FDNONISO}`
 `BUS:B<x>:CAN:STANDARD?`

Arguments `B<x>` is the number of the bus.
 `CAN2X` sets the CAN bus standard to CAN 2.0.
 `CAN2X_FDISO_XL` sets the CAN bus standard to a combination of BASE CAN, CAN FD and CAN XL.
 `CAN_XL` sets the CAN bus standard to CAN XL.
 `FDISO` sets the CAN bus standard to ISO CAN FD (11898-1:2015).
 `FDNONISO` sets the CAN bus standard to non-ISO CAN FD (Bosch:2012).

Examples `BUS:B1:CAN:STANDARD FDISO` sets the CAN standard to ISO CAN FD.
`BUS:B1:CAN:STANDARD?` might return `:BUS:B1:CAN:STANDARD CAN2X`, indicating that the CAN standard is CAN 2.0.

BUS:B<x>:CAN:THReshold

This command sets or queries the source channel threshold for the specified CAN bus. The bus is specified by x.

Conditions Requires option SR-AUTO.

Group Bus

Syntax `BUS:B<x>:CAN:THReshold <NR3>`
`BUS:B<x>:CAN:THReshold?`

Arguments B<x> is the number of the bus.
 <NR3> is the source channel threshold for the specified CAN bus.

Examples `BUS:B1:CAN:THReshold 5` sets the threshold to 5 V.
`BUS:B1:CAN:THReshold?` might return `:BUS:B1:CAN:THRESHOLD 0.0E+0` indicating the threshold is set to 0.0 V.

BUS:B<x>:CAN:XL:BITRate

This command sets or queries the bit rate for the CAN XL bus. The bus is specified by x.

Conditions Requires option SR-AUTO.

Group Bus

Syntax `BUS:B<x>:CAN:XL:BITRate <NR1>`
`BUS:B<x>:CAN:XL:BITRate?`

Arguments B<x> is the number of the bus.

<NR1> specifies the CAN XL data transfer bit rate. The valid range is from 1000000 to 20000000. The default value is 4000000.

Examples BUS:B1:CAN:XL:BITRate 1000000 sets the bit rate to 1,000,000.

BUS:B1:CAN:XL:BITRate? might return :BUS:B1:CAN:XL:BITRate 1000000, indicating the bit rate is set to 1,000,000.

BUS:B<x>:CAN:XL:BITRate:CUSTom

This command sets or queries the custom bit rate for the CAN XL bus. The bus is specified by x.

Conditions Requires option SR-AUTO.

Group Bus

Syntax BUS:B<x>:CAN:XL:BITRate:CUSTom <NR1>
BUS:B<x>:CAN:XL:BITRate:CUSTom?

Arguments B<x> is the number of the bus.

<NR1> specifies the CAN XL data transfer custom bit rate. The valid range is from 500000 to 20000000. The default value is 4000000.

Examples BUS:B1:CAN:XL:BITRate:CUSTom 1000000 sets the custom bit rate to 1,000,000.

BUS:B1:CAN:XL:BITRate:CUSTom? might return :BUS:B1:CAN:XL:BITRate:CUSTom 1000000, indicating the bit rate is set to 1,000,000.

BUS:B<x>:CPHY:A:DATA:THRESHold

This command sets or queries the CPHY Single Ended A source threshold for the specified bus. The bus is specified by x.

Conditions Requires option SR-CPHY.

Group	Bus
Syntax	<code>BUS:B<x>:CPHY:A:DATA:THRESHo1d <NR3></code> <code>BUS:B<x>:CPHY:A:DATA:THRESHo1d?</code>
Arguments	<code>B<x></code> is the number of the bus. <NR3> is the CPHY Single Ended A threshold in Volts for the specified bus. The argument range is -8 V to +8 V.
Examples	<code>BUS:B4:CPHY:A:DATA:THRESHo1d 1.0</code> sets the Bus 4 CPHY threshold to 1.0 V. <code>BUS:B3:CPHY:A:DATA:THRESHo1d?</code> might return <code>:BUS:B3:CPHY:A:DATA:THRESHo1d 100.00000E-3</code> indicating the Bus 3 CPHY threshold is set to 100.0 mV.

BUS:B<x>:CPHY:A:LP:THRESHo1d

This command sets or queries the CPHY Single Ended A LP threshold for the specified bus. The bus is specified by x.

Conditions	Requires option SR-CPHY.
Group	Bus
Syntax	<code>BUS:B<x>:CPHY:A:LP:THRESHo1d <NR3></code> <code>BUS:B<x>:CPHY:A:LP:THRESHo1d?</code>
Arguments	<code>B<x></code> is the number of the bus. <NR3> is the CPHY Single Ended A LP threshold in Volts for the specified bus. The argument range is -8 V to +8 V.
Examples	<code>BUS:B4:CPHY:A:LP:THRESHo1d 1.0</code> sets the Bus 4 CPHY threshold to 1.0 V. <code>BUS:B3:CPHY:A:LP:THRESHo1d?</code> might return <code>:BUS:B3:CPHY:A:LP:THRESHo1d 100.00000E-3</code> indicating the Bus 3 CPHY threshold is set to 100.0 mV.

BUS:B<x>:CPHY:A:SOURce

This command sets or queries the CPHY Single Ended A source for the specified bus line. The bus number is specified by x.

Conditions Requires option SR-CPHY.

Group Bus

Syntax BUS:B<x>:CPHY:A:SOURce {CH<x>|MATH<x>|REF<x>}
BUS:B<x>:CPHY:A:SOURce?

Arguments B<x> is the number of the bus.
CH<x> specifies an analog channel as the source.
MATH<x> specifies a math channel as the source.
REF<x> specifies an analog reference waveform as the source.

Examples BUS:B1:CPHY:A:SOURce Ch1 sets the source to channel 1.
BUS:B1:CPHY:A:SOURce? might return :BUS:B1:CPHY:A:SOURce CH1,
indicating the source is set to channel 1.

BUS:B<x>:CPHY:AB:SOURce

This command sets or queries the CPHY differential AB source for the specified bus line. The bus number is specified by x.

Conditions Requires option SR-CPHY.

Group Bus

Syntax BUS:B<x>:CPHY:AB:SOURce {CH<x>|MATH<x>|REF<x>}
BUS:B<x>:CPHY:AB:SOURce?

Arguments B<x> is the number of the bus.
CH<x> specifies an analog/digital channel as the source.
MATH<x> specifies a math channel as the source.

REF<x> specifies an analog/digital reference waveform as the source.

Examples `BUS:B1:CPHY:AB:SOURce Ch1` sets the source to channel 1.
`BUS:B1:CPHY:AB:SOURce?` might return `:BUS:B1:CPHY:AB:SOURce CH1`, indicating the source is set to channel 1.

BUS:B<x>:CPHY:AB:THReshold

This command sets or queries the CPHY differential AB source threshold for the specified bus. The bus is specified by x.

Conditions Requires option SR-CPHY.

Group Bus

Syntax `BUS:B<x>:CPHY:AB:THReshold <NR3>`
`BUS:B<x>:CPHY:AB:THReshold?`

Arguments B<x> is the number of the bus.
 <NR3> is the CPHY differential AB threshold for the specified bus. The argument range is -8 V to +8 V.

Examples `BUS:B4:CPHY:AB:THReshold 1.0` sets the Bus 4 CPHY threshold to 1.0 V.
`BUS:B4:CPHY:AB:THReshold?` might return `:BUS:B4:CPHY:AB:THReshold 100.00000E-3` indicating the Bus 4 CPHY clock threshold is set to 100.0 mV.

BUS:B<x>:CPHY:AGND:SOURce

This command sets or queries the CPHY differential AGND source for the specified bus line. The bus number is specified by x.

Conditions Requires option SR-CPHY.

Group Bus

Syntax `BUS:B<x>:CPHY:AGND:SOURce {CH<x>|MATH<x>|REF<x>}`
`BUS:B<x>:CPHY:AGND:SOURce?`

Arguments **B<x>** is the number of the bus.
CH<x> specifies an analog/digital channel as the source.
MATH<x> specifies a math channel as the source.
REF<x> specifies an analog/digital reference waveform as the source.

Examples **BUS:B1:CPHY:AGND:SOURce Ch1** sets the source to channel 1.
BUS:B1:CPHY:AGND:SOURce? might return **:BUS:B1:CPHY:AGND:SOURce CH1**, indicating the source is set to channel 1.

BUS:B<x>:CPHY:AGND:THReshold

This command sets or queries the CPHY differential AGND source threshold for the specified bus. The bus is specified by x.

Conditions Requires option SR-CPHY.

Group Bus

Syntax **BUS:B<x>:CPHY:AGND:THReshold <NR3>**
BUS:B<x>:CPHY:AGND:THReshold?

Arguments **B<x>** is the number of the bus.
<NR3> is the CPHY differential A GND threshold for the specified bus. The argument range is -8 V to +8 V.

Examples **BUS:B4:CPHY:AGND:THReshold 1.0** sets the Bus 4 CPHY threshold to 1.0 V.
BUS:B4:CPHY:AGND:THReshold? might return **:BUS:B4:CPHY:AGND:THReshold 100.00000E-3** indicating the Bus 4 CPHY threshold is set to 100.0 mV.

BUS:B<x>:CPHY:B:DATA:THRESHold

This command sets or queries the CPHY Single Ended B source threshold for the specified bus. The bus is specified by x.

Conditions Requires option SR-CPHY.

Group	Bus
Syntax	<code>BUS:B<x>:CPHY:B:DATA:THRESHo1d <NR3></code> <code>BUS:B<x>:CPHY:B:DATA:THRESHo1d?</code>
Arguments	<code>B<x></code> is the number of the bus. <NR3> is the CPHY Single Ended B threshold for the specified bus. The argument range is -8 V to +8 V.
Examples	<code>BUS:B4:CPHY:B:DATA:THRESHo1d 1.0</code> sets the Bus 4 CPHY threshold to 1.0 V. <code>BUS:B4:CPHY:B:DATA:THRESHo1d?</code> might return <code>:BUS:B4:CPHY:B:DATA:THRESHo1d 100.00000E-3</code> indicating the Bus 4 CPHY threshold is set to 100.0 mV.

BUS:B<x>:CPHY:B:SOURce

This command sets or queries the CPHY Single Ended B source for the specified bus line. The bus number is specified by x.

Conditions	Requires option SR-CPHY.
Group	Bus
Syntax	<code>BUS:B<x>:CPHY:B:SOURce {CH<x> MATH<x> REF<x>}</code> <code>BUS:B<x>:CPHY:B:SOURce?</code>
Arguments	<code>B<x></code> is the number of the bus. <code>CH<x></code> specifies an analog channel as the source. <code>MATH<x></code> specifies a math channel as the source. <code>REF<x></code> specifies an analog reference waveform as the source.
Examples	<code>BUS:B1:CPHY:B:SOURce Ch1</code> sets the source to channel 1. <code>BUS:B1:CPHY:B:SOURce?</code> might return <code>:BUS:B1:CPHY:B:SOURce CH1</code> , indicating the source is set to channel 1.

BUS:B<x>:CPHY:BC:SOURce

This command sets or queries the CPHY differential BC source for the specified bus line. The bus number is specified by x.

Conditions	Requires option SR-CPHY.
Group	Bus
Syntax	BUS:B<x>:CPHY:BC:SOURce {CH<x> MATH<x> REF<x>} BUS:B<x>:CPHY:BC:SOURce?
Arguments	B<x> is the number of the bus. CH<x> specifies an analog/digital channel as the source. MATH<x> specifies a math channel as the source. REF<x> specifies an analog/digital reference waveform as the source.
Examples	BUS:B1:CPHY:BC:SOURce Ch1 sets the source to channel 1. BUS:B1:CPHY:BC:SOURce? might return :BUS:B1:CPHY:BC:SOURce CH1, indicating the source is set to channel 1.

BUS:B<x>:CPHY:BC:THReshold

This command sets or queries the CPHY differential BC source threshold for the specified bus. The bus is specified by x.

Conditions	Requires option SR-CPHY.
Group	Bus
Syntax	BUS:B<x>:CPHY:BC:THReshold <NR3> BUS:B<x>:CPHY:BC:THReshold?
Arguments	B<x> is the number of the bus. <NR3> is the CPHY differential BC threshold for the specified bus. The argument range is -8 V to +8 V.

Examples `BUS:B4:CPHY:BC:THRESHold 1.0` sets the Bus 4 CPHY threshold to 1.0 V.
`BUS:B4:CPHY:BC:THRESHold?` might return `:BUS:B4:CPHY:BC:THRESHold 100.00000E-3` indicating the Bus 4 CPHY threshold is set to 100.0 mV.

BUS:B<x>:CPHY:BITRate

This command sets or queries the bit rate for the specified CPHY bus. The bus is specified by x.

Conditions Requires option SR-CPHY.

Group Bus

Syntax `BUS:B<x>:CPHY:BITRate <NR1>`
`BUS:B<x>:CPHY:BITRate?`

Arguments B<x> is the number of the bus.
<NR1> specifies the bit rate. The default bit rate is 1 Gbps and varies 4 Mbps ~ 10Gps

Examples `BUS:B1:CPHY:BITRate 8000000` sets the bit rate as 80 Mbps.
`BUS:B1:CPHY:BITRate?` might return `:BUS:B1:CPHY:BITRate 80000000`, indicating that the bit rate is 80 Mbps.

BUS:B<x>:CPHY:C:DATA:THRESHold

This command sets or queries the CPHY Single Ended C source threshold for the specified bus. The bus is specified by x.

Conditions Requires option SR-CPHY.

Group Bus

Syntax `BUS:B<x>:CPHY:C:DATA:THRESHold <NR3>`
`BUS:B<x>:CPHY:C:DATA:THRESHold?`

Arguments B<x> is the number of the bus.

<NR3> is the CPHY Single Ended C threshold for the specified bus. The argument range is -8 V to +8 V.

Examples `BUS:B4:CPHY:C:DATA:THRESHold 1.0` sets the Bus 4 CPHY threshold to 1.0 V.

`BUS:B4:CPHY:C:DATA:THRESHold?` might return
`:BUS:B4:CPHY:C:DATA:THRESHold 100.00000E-3` indicating the Bus 4 CPHY threshold is set to 100.0 mV.

BUS:B<x>:CPHY:C:LP:THRESHold

This command sets or queries the CPHY Single Ended C LP threshold for the specified bus. The bus is specified by x.

Conditions Requires option SR-CPHY.

Group Bus

Syntax `BUS:B<x>:CPHY:C:LP:THRESHold <NR3>`
`BUS:B<x>:CPHY:C:LP:THRESHold?`

Arguments B<x> is the number of the bus.

<NR3> is the CPHY Single Ended C LP threshold for the specified bus. The argument range is -8 V to +8 V.

Examples `BUS:B4:CPHY:C:LP:THRESHold 1.0` sets the Bus 4 CPHY threshold to 1.0 V.

`BUS:B4:CPHY:C:LP:THRESHold?` might return
`:BUS:B4:CPHY:C:LP:THRESHold 100.00000E-3` indicating the Bus 4 CPHY threshold is set to 100.0 mV.

BUS:B<x>:CPHY:C:SOUrce

This command sets or queries the CPHY Single Ended C source for the specified bus line. The bus number is specified by x.

Conditions Requires option SR-CPHY.

Group	Bus
Syntax	<code>BUS:B<x>:CPHY:C:SOURce {CH<x> MATH<x> REF<x>}</code> <code>BUS:B<x>:CPHY:C:SOURce?</code>
Arguments	<p><code>B<x></code> is the number of the bus.</p> <p><code>CH<x></code> specifies an analog channel as the source.</p> <p><code>MATH<x></code> specifies a math channel as the source.</p> <p><code>REF<x></code> specifies an analog reference waveform as the source.</p>
Examples	<p><code>BUS:B1:CPHY:C:SOURce Ch1</code> sets the source to channel 1.</p> <p><code>BUS:B1:CPHY:C:SOURce?</code> might return <code>:BUS:B1:CPHY:C:SOURce CH1</code>, indicating the source is set to channel 1.</p>

BUS:B<x>:CPHY:CA:SOURce

This command sets or queries the CPHY differential CA source for the specified bus line. The bus number is specified by x.

Conditions	Requires option SR-CPHY.
Group	Bus
Syntax	<code>BUS:B<x>:CPHY:CA:SOURce {CH<x> MATH<x> REF<x>}</code> <code>BUS:B<x>:CPHY:CA:SOURce?</code>
Arguments	<p><code>B<x></code> is the number of the bus.</p> <p><code>CH<x></code> specifies an analog/digital channel as the source.</p> <p><code>MATH<x></code> specifies a math channel as the source.</p> <p><code>REF<x></code> specifies an analog/digital reference waveform as the source.</p>
Examples	<p><code>BUS:B1:CPHY:CA:SOURce Ch1</code> sets the source to channel 1.</p> <p><code>BUS:B1:CPHY:CA:SOURce?</code> might return <code>:BUS:B1:CPHY:CA:SOURce CH1</code>, indicating the source is set to channel 1.</p>

BUS:B<x>:CPHY:CA:THReshold

This command sets or queries the CPHY differential CA source threshold for the specified bus. The bus is specified by x.

Conditions	Requires option SR-CPHY.
Group	Bus
Syntax	BUS:B<x>:CPHY:CA:THReshold <NR3> BUS:B<x>:CPHY:CA:THReshold?
Arguments	B<x> is the number of the bus. <NR3> is the CPHY differential CA threshold for the specified bus. The argument range is -8 V to +8 V.
Examples	BUS:B4:CPHY:CA:THReshold 1.0 sets the Bus 4 CPHY threshold to 1.0 V. BUS:B4:CPHY:CA:THReshold? might return :BUS:B4:CPHY:CA:THReshold 100.00000E-3 indicating the Bus 4 CPHY threshold is set to 100.0 mV.

BUS:B<x>:CPHY:CGND:SOUrce

This command sets or queries the CPHY differential CGND source for the specified bus line. The bus number is specified by x.

Conditions	Requires option SR-CPHY.
Group	Bus
Syntax	BUS:B<x>:CPHY:CGND:SOUrce {CH<x> MATH<x> REF<x>} BUS:B<x>:CPHY:CGND:SOUrce?
Arguments	B<x> is the number of the bus. CH<x> specifies an analog/digital channel as the source. MATH<x> specifies a math channel as the source. REF<x> specifies an analog/digital reference waveform as the source.

Examples `BUS:B1:CPHY:CGND:SOURce Ch1` sets the source to channel 1.
`BUS:B1:CPHY:CGND:SOURce?` might return `:BUS:B1:CPHY:CGND:SOURce CH1`, indicating the source is set to channel 1.

BUS:B<x>:CPHY:CGND:THReshold

This command sets or queries the CPHY differential CGND source threshold for the specified bus. The bus is specified by x.

Conditions Requires option SR-CPHY.

Group Bus

Syntax `BUS:B<x>:CPHY:CGND:THReshold <NR3>`
`BUS:B<x>:CPHY:CGND:THReshold?`

Arguments `B<x>` is the number of the bus.
`<NR3>` is the CPHY differential C GND threshold for the specified bus. The argument range is -8 V to +8 V.

Examples `BUS:B4:CPHY:CGND:THReshold 1.0` sets the Bus 4 CPHY threshold to 1.0 V.
`BUS:B4:CPHY:CGND:THReshold?` might return `:BUS:B4:CPHY:CGND:THReshold 100.00000E-3` indicating the Bus 4 CPHY clock threshold is set to 100.0 mV.

BUS:B<x>:CPHY:LP:DIRection

This command sets or queries the CPHY bus direction in low power. The bus is specified by x.

Conditions Requires option SR-CPHY.

Group Bus

Syntax `BUS:B<x>:CPHY:LP:DIRection {forward|reverse}`
`BUS:B<x>:CPHY:LP:DIRection?`

Arguments	<p>B<x> is the number of the bus.</p> <p>forward specifies the direction in low power to forward. The default direction is forward.</p> <p>reverse specifies the direction in low power to reverse.</p>
Examples	<p>BUS:B1:CPHY:LP:DIRection reverse sets the Bus 1 CPHY bus direction in low power to reverse.</p> <p>BUS:B2:CPHY:LP:DIRection? might return :BUS:B2:CPHY:LP:DIRection forward, indicating the Bus 2 CPHY direction in low power is forward.</p>

BUS:B<x>:CPHY:SIGNALTYpe

This command sets or queries the signal type for CPHY bus decode. The bus is specified by x.

Conditions	Requires option SR-CPHY.
Group	Bus
Syntax	BUS:B<x>:CPHY:SIGNALTYpe {SINGLE DIFF} BUS:B<x>:CPHY:SIGNALTYpe?
Arguments	<p>B<x> is the number of the bus.</p> <p>SINGLE specifies the signal type to single ended.</p> <p>DIFF specifies the signal type to differential. The default type is differential.</p>
Examples	<p>BUS:B1:CPHY:SIGNALTYpe DIFF sets the Bus 1 CPHY to differential.</p> <p>BUS:B2:CPHY:SIGNALTYpe? might return :BUS:B2:CPHY:SIGNALTYpe DIFF, indicating the Bus 2 CPHY signal type is set to differential.</p>

BUS:B<x>:CPHY:SUBTYpe

This command sets or queries the sub type for CPHY bus decode. The bus is specified by x.

Conditions	Requires option SR-CPHY.
-------------------	--------------------------

Group	Bus
Syntax	<code>BUS:B<x>:CPHY:SUBTYPE {CSI DSI word Symbol}</code> <code>BUS:B<x>:CPHY:SUBTYPE?</code>
Arguments	<p><code>B<x></code> is the number of the bus.</p> <p><code>CSI</code> specifies the protocol type to CSI. The default type is CSI.</p> <p><code>DSI</code> specifies the protocol type to DSI.</p> <p><code>word</code> specifies the protocol type to word.</p> <p><code>Symbol</code> specifies the protocol type to symbol.</p>
Examples	<p><code>BUS:B1:CPHY:SUBTYPE DSI</code> sets the Bus 1 CPHY protocol type to DSI.</p> <p><code>BUS:B2:CPHY:SUBTYPE?</code> might return <code>:BUS:B2:CPHY:SUBTYPE CSI</code>, indicating the Bus 2 CPHY protocol type is set to CSI.</p>

BUS:B<x>:CXPI:BITRate

This command sets or queries the bit rate for the specified CXPI bus. The bus is specified by x.

Conditions	Requires option SR-CXPI.
Group	Bus
Syntax	<code>BUS:B<x>:CXPI:BITRate <NR1></code> <code>BUS:B<x>:CXPI:BITRate?</code>
Arguments	<code><NR1></code> sets the CXPI Source bit rate for the specified bus. The default value is 19.2 kbps and the valid range is 1 bps to 20 kbps.
Examples	<p><code>BUS:B1:CXPI:BITRate 100</code> sets the Bus 1 CXPI Source bit rate to 100 bps.</p> <p><code>BUS:B1:CXPI:BITRate?</code> might return <code>:BUS:B1:CXPI:BITRate 100</code>, indicating the Bus 1 CXPI Source bit rate is set to 100 bps.</p>

BUS:B<x>:CXPI:REC:THReshold

This command sets or queries the source channel recessive threshold for the specified CXPI bus. The bus is specified by x.

Conditions	Requires option SR-CXPI.
Group	Bus
Syntax	BUS:B<x>:CXPI:REC:THReshold <NR3> BUS:B<x>:CXPI:REC:THReshold?
Arguments	<NR3> sets the CXPI Source recessive threshold for the specified bus. The default value is 0 V and the valid range is -12 V to +12 V.
Examples	BUS:B1:CXPI:REC:THReshold 1.0 sets the Bus 1 CXPI Source threshold to 1 V. BUS:B1:CXPI:REC:THReshold? might return :BUS:B1:CXPI:REC:THReshold 1.0, indicating the Bus 1 CXPI Source threshold is set to 1 V.

BUS:B<x>:CXPI:SOUrce

This command sets or queries the source channel for the specified CXPI bus. The bus is specified by x.

Conditions	Requires option SR-CXPI.
Group	Bus
Syntax	BUS:B<x>:CXPI:SOUrce {CH<x> MATH<x> REF<x>} BUS:B<x>:CXPI:SOUrce?
Arguments	CH<x> specifies an analog channel as the source, where <x> is the channel number. MATH<x> specifies a math channel as the source, where <x> is the math waveform number. REF<x> specifies a digital reference waveform as the source, where <x> is the reference waveform number.

Examples `BUS:B1:CXPI:SOURCE Ch5` sets the source to channel 5.

`BUS:B1:CXPI:SOURCE?` might return `:BUS:B1:CXPI:SOURCE Ch5`, indicating the source is set to channel 5.

BUS:B<x>:DISplay:FORMat

This command sets or queries how the data is represented in the bus form for the specified bus. The bus is specified by x.

Group Bus

Syntax `BUS:B<x>:DISplay:FORMat`
`{HEX|BINARY|MIXEDASCII|MIXEDHEX|ASCII|DECIMAL|MIXED}`
`BUS:B<x>:DISplay:FORMat?`

Arguments B<x> is the number of the bus.

NOTE. *Different bus types support only a subset of these arguments.*

HEX specifies hexadecimal format.

BINARY specifies binary format.

MIXEDASCII specifies mixed ASCII format.

MIXEDHEX specifies mixed hexadecimal format.

ASCII specifies ASCII format.

DECIMAL specifies decimal format.

MIXED specifies mixed format.

Examples `BUS:B1:DISplay:FORMat BINARY` sets the format to binary.

`BUS:B1:DISplay:FORMat?` might return `:BUS:B1:DISPLAY:FORMAT HEX` indicating the format is set to hexadecimal.

BUS:B<x>:DISplay:LAYout

This command sets or queries what to display for the specified bus. The bus is specified by x.

Group	Bus
Syntax	<code>BUS:B<x>:DISPlay:LAYout {BUS BUSANDWAVEFORM}</code> <code>BUS:B<x>:DISPlay:LAYout?</code>
Arguments	<p><code>B<x></code> is the number of the bus.</p> <p><code>BUS</code> specifies displaying the bus form only.</p> <p><code>BUSANDWAVEFORM</code> specifies displaying the bus form and the constituent source waveform(s). This argument is not available for some bus types and some bus configurations</p>
Examples	<p><code>BUS:B1:DISPlay:LAYout</code> <code>BUS</code> specifies displaying the bus form only.</p> <p><code>BUS:B1:DISPlay:LAYout?</code> might return <code>:BUS:B1:DISPLAY:LAYOUT</code> <code>BUS</code> indicating the bus will be displayed without displaying its constituent source waveform(s).</p>

BUS:B<x>:DPHY:CLOCK:SOURce

This command sets or queries the DPHY Clock source for the specified bus line. The bus is specified by `x`.

Conditions	Requires option SR-DPHY
Group	Bus
Syntax	<code>BUS:B<x>:DPHY:CLOCK:SOURce {CH<x> MATH<x> REF<x>}</code> <code>BUS:B<x>:DPHY:CLOCK:SOURce?</code>
Arguments	<p><code>B<x></code> is the Bus number.</p> <p><code>CH<x></code> specifies an analog channel as the source, where <code><x></code> is the channel number.</p> <p><code>MATH<x></code> specifies a math channel as the source, where <code><x></code> is the math waveform number.</p> <p><code>REF<x></code> specifies a reference waveform as the source, where <code><x></code> is the reference waveform number.</p>

Examples `BUS:B1:DPHY:CLOCK:SOURce Ch1` sets the source to channel 1 for bus 1.
`BUS:B1:DPHY:CLOCK:SOURce?` might return `:BUS:B1:DPHY:CLOCK:SOURce Ch1`, indicating the source is set to channel 1 for bus 1.

BUS:B<x>:DPHY:CLOCK:THRESHold

This command sets or queries the DPHY Clock source threshold for the specified bus. The bus is specified by x.

Conditions Requires option SR-DPHY.

Group Bus

Syntax `BUS:B<x>:DPHY:CLOCK:THRESHold <NR3>`
`BUS:B<x>:DPHY:CLOCK:THRESHold?`

Arguments B<x> is the number of the bus.
 <NR3> is the DPHY clock high threshold for the specified bus. The argument range is -8V to +8V.

Examples `BUS:B4:DPHY:CLOCK:THRESHold 1.0` sets the Bus 4 DPHY threshold to 1.0 V.
`BUS:B3:DPHY:CLOCK:THRESHold?` might return `:BUS:B3:DPHY:CLOCK:THRESHold 100.00000E-3`, indicating the Bus 3 DPHY clock threshold is set to 100.0 mV.

BUS:B<x>:DPHY:DMINus:DATATHRESHold

This command sets or queries the DPHY D- source data threshold for the specified bus. The bus is specified by x.

Conditions Requires option SR-DPHY.

Group Bus

Syntax `BUS:B<x>:DPHY:DMINus:DATATHRESHold <NR3>`
`BUS:B<x>:DPHY:DMINus:DATATHRESHold?`

Arguments	<p>B<x> is the number of the bus.</p> <p><NR3> is the DPHY D- source data threshold for the specified bus. The argument range is -8V to +8V.</p>
Examples	<p><code>BUS:B1:DPHY:DMINus:DATATHRESHold -160.00000E-3</code> sets the Bus 3 DPHY D- source data threshold to 160.0 mV.</p> <p><code>BUS:B3:DPHY:DMINus:DATATHRESHold?</code> might return <code>:BUS:B3:DPHY:DMINus:DATATHRESHold 150.00000E-3,</code> indicating the Bus 1 DPHY D- source data threshold is set to 150.0 mV.</p>

BUS:B<x>:DPHY:DMINus:LPTHRESHold

This command sets or queries the DPHY D- source low power threshold for the specified bus. The bus is specified by x.

Conditions	Requires option SR-DPHY.
Group	Bus
Syntax	<code>BUS:B<x>:DPHY:DMINus:LPTHRESHold <NR3></code> <code>BUS:B<x>:DPHY:DMINus:LPTHRESHold?</code>
Arguments	<p>B<x> is the number of the bus.</p> <p><NR3> is the DPHY D- source low power threshold for the specified bus. The argument range is -8V to +8V.</p>
Examples	<p><code>BUS:B3:DPHY:DMINus:LPTHRESHold -2.5</code> sets the Bus 3 DPHY D- source low power threshold to -2.5 V.</p> <p><code>BUS:B2:DPHY:DMINus:LPTHRESHold?</code> might return <code>:BUS:B2:DPHY:DMINus:LPTHRESHold -1.2,</code> indicating the Bus 1 DPHY D- source low power threshold is set to -1.2 V.</p>

BUS:B<x>:DPHY:DMINus:SOUrce

This command sets or queries the DPHY D- source for the specified bus line. The bus is specified by x.

Conditions	Requires option SR-DPHY
-------------------	-------------------------

Group	Bus
Syntax	<code>BUS:B<x>:DPHY:DMINus:SOURce {CH<x> MATH<x> REF<x>}</code> <code>BUS:B<x>:DPHY:DMINus:SOURce?</code>
Arguments	<p><code>B<x></code> is the Bus number.</p> <p><code>CH<x></code> specifies an analog channel as the source, where <code><x></code> is the channel number.</p> <p><code>MATH<x></code> specifies a math channel as the source, where <code><x></code> is the math waveform number.</p> <p><code>REF<x></code> specifies a reference waveform as the source, where <code><x></code> is the reference waveform number.</p>
Examples	<p><code>BUS:B1:DPHY:DMINus:SOURce Ch3</code> sets the source to channel 3 for bus 1.</p> <p><code>BUS:B1:DPHY:DMINus:SOURce?</code> might return <code>:BUS:B1:DPHY:DMINus:SOURce Ch3</code>, indicating the source is set to channel 3 for bus 1.</p>

BUS:B<x>:DPHY:DPPlus:DATATHRESHold

This command sets or queries the D+ source data threshold for the specified bus. The bus is specified by x.

Conditions	Requires option SR-DPHY.
Group	Bus
Syntax	<code>BUS:B<x>:DPHY:DPPlus:DATATHRESHold <NR3></code> <code>BUS:B<x>:DPHY:DPPlus:DATATHRESHold?</code>
Arguments	<p><code>B<x></code> is the number of the bus.</p> <p><code><NR3></code> is the DPHY D+ source data threshold for the specified bus. The argument range is -8V to +8V.</p>
Examples	<code>BUS:B2:DPHY:DPPlus:DATATHRESHold 100.00000E-3</code> sets the Bus 2 DPHY D+ source data threshold to 100.0 mV.

`BUS:B1:DPHY:DP1us:DATATHRESHo1d?` might return
`:BUS:B1:DPHY:DP1us:DATATHRESHo1d 150.00000E-3`, indicating the Bus 1 DPHY D+ source data threshold is set to 150.0 mV.

BUS:B<x>:DPHY:DP1us:LPTHRESHo1d

This command sets or queries the DPHY D+ source low power threshold for the specified bus. The bus is specified by x.

Conditions	Requires option SR-DPHY.
Group	Bus
Syntax	<code>BUS:B<x>:DPHY:DP1us:LPTHRESHo1d <NR3></code> <code>BUS:B<x>:DPHY:DP1us:LPTHRESHo1d?</code>
Arguments	<code>B<x></code> is the number of the bus. <code><NR3></code> is the DPHY D+ source low power threshold for the specified bus. The argument range is -8V to +8V.
Examples	<code>BUS:B3:DPHY:DP1us:LPTHRESHo1d 1.2</code> sets the Bus 3 DPHY D+ source low power threshold to 1.2 V. <code>BUS:B2:DPHY:DP1us:LPTHRESHo1d?</code> might return <code>:BUS:B2:DPHY:DP1us:LPTHRESHo1d 1.2</code> , indicating the Bus 1 DPHY D+ source low power threshold is set to 1.2 V.

BUS:B<x>:DPHY:DP1us:SOUrcE

This command sets or queries the DPHY D+ source for the specified bus line. The bus is specified by x.

Conditions	Requires option SR-DPHY
Group	Bus
Syntax	<code>BUS:B<x>:DPHY:DP1us:SOUrcE {CH<x> MATH<x> REF<x>}</code> <code>BUS:B<x>:DPHY:DP1us:SOUrcE?</code>

Arguments B<x> is the Bus number.

CH<x> specifies an analog channel as the source, where <x> is the channel number.

MATH<x> specifies a math channel as the source, where <x> is the math waveform number.

REF<x> specifies a reference waveform as the source, where <x> is the reference waveform number.

Examples `BUS:B1:DPHY:DP1us:SOURCE Ch2` sets the source to channel 2 for bus 1.

`BUS:B1:DPHY:DP1us:SOURCE?` might return `:BUS:B1:DPHY:DP1us:SOURCE CH2`, indicating the source is set to channel 2 for bus 1.

BUS:B<x>:DPHY:LP:DIRection

This command sets or queries the DPHY bus direction in low power. By default lp direction is set to forward. The bus is specified by x.

Conditions Requires option SR-DPHY

Group Bus

Syntax `BUS:B<x>:DPHY:LP:DIRection {forward|reverse}`
`BUS:B<x>:DPHY:LP:DIRection?`

Arguments B<x> is the Bus number.

forward specifies the direction as forward.

reverse specifies the direction as reverse.

Examples `BUS:B1:DPHY:LP:DIRection reverse` sets the Bus 1 DPHY bus direction in low power to reverse.

`BUS:B2:DPHY:LP:DIRection?` might return `:BUS:B2:DPHY:LP:DIRection forward`, indicating the Bus 2 DPHY direction in low power is forward.

BUS:B<x>:DPHY:PROTOcol:TYPE

This command sets or queries the protocol type for DPHY bus decode. The default type is CSI. The bus is specified by x.

Conditions	Requires option SR-DPHY
Group	Bus
Syntax	<code>BUS:B<x>:DPHY:PROToco1:TYPe {CSI DSI}</code> <code>BUS:B<x>:DPHY:PROToco1:TYPe?</code>
Arguments	<code>B<x></code> is the Bus number. CSI specifies the protocol type as CSI. DSI specifies the protocol type as DSI.
Examples	<code>BUS:B1:DPHY:PROToco1:TYPe DSI</code> sets the Bus 1 DPHY protocol type to DSI. <code>BUS:B2:DPHY:PROToco1:TYPe?</code> might return <code>:BUS:B2:DPHY:PROToco1:TYPe CSI</code> , indicating the Bus 2 DPHY protocol type is set to CSI.

BUS:B<x>:DPHY:SIGNal:ENCoding

This command sets or queries the 8b9b encoding for DPHY bus decode. By default 8b9b encoding is set to false. The bus is specified by x.

Conditions	Requires option SR-DPHY
Group	Bus
Syntax	<code>BUS:B<x>:DPHY:SIGNal:ENCoding {false true}</code> <code>BUS:B<x>:DPHY:SIGNal:ENCoding?</code>
Arguments	<code>B<x></code> is the Bus number. false specifies the 8b9b encoding disabled. true specifies 8b9b encoding disabled.
Examples	<code>BUS:B1:DPHY:SIGNal:ENCoding true</code> sets the Bus 1 DPHY 8b9b encoding to true.

```
BUS:B2:DPHY:SIGNAL:ENCODING? might return
::BUS:B2:DPHY:SIGNAL:ENCODING true, indicating the Bus 2 DPHY
8b9b encoding is set to true.
```

BUS:B<x>:ESPI:ALERT:POLARITY

This command sets or queries the ESPI alert polarity for the specified bus. The bus is specified by x.

Conditions	Requires option SR-ESPI.
Group	Bus
Syntax	BUS:B<x>:ESPI:ALERT:POLARITY {HIGH LOW} BUS:B<x>:ESPI:ALERT:POLARITY?
Arguments	B<x> is the Bus number. HIGH sets the ESPI alert polarity to active high. LOW sets the ESPI alert polarity to active low.
Examples	BUS:B1:ESPI:ALERT:POLARITY LOW sets the Bus 1 alert polarity to active low. BUS:B1:ESPI:ALERT:POLARITY? might return :BUS:B1:ESPI:ALERT:POLARITY LOW indicating the Bus 1 alert polarity is set to active low.

BUS:B<x>:ESPI:ALERT:SOURCE

This command sets or queries the alert source for the specified bus. The bus is specified by x.

Conditions	Requires option SR-ESPI.
Group	Bus
Syntax	BUS:B<x>:ESPI:ALERT:SOURCE {CH<x> MATH<x> REF<x>} BUS:B<x>:ESPI:ALERT:SOURCE?

Arguments **B<x>** is the Bus number.
 CH<x> specifies an analog channel as the source.
 MATH<x> specifies a math channel as the source.
 REF<x> specifies a reference waveform as the source.

Examples **BUS:B1:ESPI:ALERT:SOURce Ch5** sets the alert source to channel 5.
BUS:B1:ESPI:ALERT:SOURce? might return **:BUS:B1:ESPI:ALERT:SOURce CH5**, indicating the alert source is set to channel 5.

BUS:B<x>:ESPI:ALERT:THReshold

This command sets or queries the alert source threshold for the specified bus. The bus is specified by x.

Conditions Requires option SR-ESPI.

Group Bus

Syntax **BUS:B<x>:ESPI:ALERT:THReshold <NR3>**
BUS:B<x>:ESPI:ALERT:THReshold?

Arguments **B<x>** is the Bus number.
 <NR3> sets the alert threshold for the specified bus. The valid range is -8V to +8V.

Examples **BUS:B1:ESPI:ALERT:THReshold 1.0** sets the Bus 1 alert threshold to 1.0 V.
BUS:B1:ESPI:ALERT:THReshold? might return
BUS:B1:ESPI:ALERT:THReshold 225.00000E-3 indicating the Bus 1 alert threshold is set to 225.0 mV.

BUS:B<x>:ESPI:ALERTVIEW

This command sets or queries the ESPI alert view for the specified bus. The bus is specified by x.

Conditions Requires option SR-ESPI.

Group	Bus
Syntax	<code>BUS:B<x>:ESPI:ALERTVIEW {ON OFF}</code> <code>BUS:B<x>:ESPI:ALERTVIEW?</code>
Arguments	B<x> is the Bus number. ON turns the alert source on. OFF turns the alert source on.
Examples	<code>BUS:B1:ESPI:ALERTVIEW ON</code> sets the Bus 1 alert view to on. <code>BUS:B1:ESPI:ALERTVIEW?</code> might return <code>:BUS:B1:ESPI:ALERTVIEW ON</code> indicating the Bus 1 alert view is on.

BUS:B<x>:ESPI:CHIPSElect:POLarity

This command sets or queries the ESPI chip select polarity for the specified bus. The bus is specified by x.

Conditions	Requires option SR-ESPI.
Group	Bus
Syntax	<code>BUS:B<x>:ESPI:CHIPSElect:POLarity {HIGH LOW}</code> <code>BUS:B<x>:ESPI:CHIPSElect:POLarity?</code>
Arguments	B<x> is the Bus number. HIGH sets the ESPI chip select polarity to active high. LOW sets the ESPI chip select polarity to active low.
Examples	<code>BUS:B1:ESPI:CHIPSElect:POLarity LOW</code> sets the Bus 1 chip select polarity to active low. <code>BUS:B1:ESPI:CHIPSElect:POLarity?</code> might return <code>:BUS:B1:ESPI:CHIPSElect:POLarity LOW</code> , indicating the Bus 1 chip select polarity is set to active low.

BUS:B<x>:ESPI:CHIPSElect:SOURce

This command sets or queries the chip select source for the specified bus. The bus is specified by x.

Conditions Requires option SR-ESPI.

Group Bus

Syntax BUS:B<x>:ESPI:CHIPSElect:SOURce {CH<x>|MATH<x>|REF<x>}
BUS:B<x>:ESPI:CHIPSElect:SOURce?

Arguments B<x> is the Bus number.
CH<x> specifies an analog channel as the source.
MATH<x> specifies a math channel as the source.
REF<x> specifies a reference waveform as the source.

Examples BUS:B1:ESPI:CHIPSElect:SOURce Ch5 sets the chip select source to channel 5.
BUS:B1:ESPI:CHIPSElect:SOURce? might return
:BUS:B1:ESPI:CHIPSElect:SOURce Ch5, indicating the chip select source is set to channel 5.

BUS:B<x>:ESPI:CHIPSElect:THReshold

This command sets or queries the chip select source threshold for the specified bus. The bus is specified by x.

Conditions Requires option SR-ESPI.

Group Bus

Syntax BUS:B<x>:ESPI:CHIPSElect:THReshold <NR3>
BUS:B<x>:ESPI:CHIPSElect:THReshold?

Arguments	B<x> is the Bus number. <NR3> sets the chip select threshold for the specified bus. The valid range is -8V to +8V.
Examples	BUS:B1:ESPI:CHIPSElect:THResho1d 1.0 sets the Bus 1 chip select threshold to 1.0 V. BUS:B1:ESPI:CHIPSElect:THResho1d? might return BUS:B1:ESPI:CHIPSElect:THResho1d 225.00000E-3 , indicating the Bus 1 chip select threshold is set to 225.0 mV.

BUS:B<x>:ESPI:CLOCK:POLarity

This command sets or queries the ESPI Clock (SCLK) source polarity for the specified bus. The bus is specified by x.

Conditions	Requires option SR-ESPI.
Group	Bus
Syntax	BUS:B<x>:ESPI:CLOCK:POLarity {FALL RISE} BUS:B<x>:ESPI:CLOCK:POLarity?
Arguments	B<x> is the Bus number. FALL sets the ESPI clock polarity to fall. RISE sets the ESPI clock polarity to rise.
Examples	BUS:B1:ESPI:CLOCK:POLarity FALL sets the Bus 1 clock polarity to fall. BUS:B1:ESPI:CLOCK:POLarity? might return :BUS:B1:ESPI:CLOCK:POLarity FALL , indicating the Bus 1 clock polarity is set to fall.

BUS:B<x>:ESPI:CLOCK:SOUrce

This command sets or queries the Clock source for the specified bus. The bus is specified by x.

Conditions	Requires option SR-ESPI.
-------------------	--------------------------

Group	Bus
Syntax	BUS:B<x>:ESPI:CLOCK:SOURce {CH<x> MATH<x> REF<x>} BUS:B<x>:ESPI:CLOCK:SOURce?
Arguments	B<x> is the Bus number. CH<x> specifies an analog channel as the source. MATH<x> specifies a math channel as the source. REF<x> specifies a reference waveform as the source.
Examples	BUS:B1:ESPI:CLOCK:SOURce Ch5 sets the clock source to channel 5. BUS:B1:ESPI:CLOCK:SOURce? might return :BUS:B1:ESPI:CLOCK:SOURce Ch5, indicating the clock source is set to channel 5.

BUS:B<x>:ESPI:CLOCK:THReshold

This command sets or queries the Clock source threshold for the specified bus. The bus is specified by x.

Conditions	Requires option SR-ESPI.
Group	Bus
Syntax	BUS:B<x>:ESPI:CLOCK:THReshold <NR3> BUS:B<x>:ESPI:CLOCK:THReshold?
Arguments	B<x> is the Bus number. <NR3> sets the clock threshold for the specified bus. The valid range is -8V to +8V.
Examples	BUS:B1:ESPI:CLOCK:THReshold 1.0 sets the Bus 1 clock threshold to 1.0 V. BUS:B1:ESPI:CLOCK:THReshold? might return BUS:B1:ESPI:CLOCK:THReshold 225.00000E-3, indicating the Bus 1 clock threshold is set to 225.0 mV.

BUS:B<x>:ESPI:DATAONE:POLarity

This command sets or queries the ESPI command (single mode)/ IO[0] (dual mode) polarity for the specified bus. The bus is specified by x.

Conditions	Requires option SR-ESPI.
Group	Bus
Syntax	BUS:B<x>:ESPI:DATAONE:POLarity {HIGH LOW} BUS:B<x>:ESPI:DATAONE:POLarity?
Arguments	B<x> is the Bus number. HIGH sets the ESPI data polarity to active high. LOW sets the ESPI data polarity to active low.
Examples	BUS:B1:ESPI:DATAONE:POLarity LOW sets the Bus 1 data polarity to active low. BUS:B1:ESPI:DATAONE:POLarity? might return :BUS:B1:ESPI:DATAONE:POLarity LOW, indicating the Bus 1 data polarity is set to active low.

BUS:B<x>:ESPI:DATAONE:SOURce

This command sets or queries the command (single mode)/ IO[0] (dual mode) Data source for the specified bus. The bus is specified by x.

Conditions	Requires option SR-ESPI.
Group	Bus
Syntax	BUS:B<x>:ESPI:DATAONE:SOURce {CH<x> MATH<x> REF<x>} BUS:B<x>:ESPI:DATAONE:SOURce?
Arguments	B<x> is the Bus number. CH<x> specifies an analog channel as the source. MATH<x> specifies a math channel as the source.

REF<x> specifies a reference waveform as the source.

Examples `BUS:B1:ESPI:DATAONE:SOURce Ch5` sets the data source to channel 5.
`BUS:B1:ESPI:DATAONE:SOURce?` might return
`:BUS:B1:ESPI:DATAONE:SOURce Ch5`, indicating the data source is set to channel 5.

BUS:B<x>:ESPI:DATAONE:THReshold

This command sets or queries the command (single mode)/ IO[0] (dual mode) Data source threshold for the specified bus. The bus is specified by x.

Conditions Requires option SR-ESPI.

Group Bus

Syntax `BUS:B<x>:ESPI:DATAONE:THReshold <NR3>`
`BUS:B<x>:ESPI:DATAONE:THReshold?`

Arguments `B<x>` is the Bus number.

`<NR3>` sets the command/data threshold for the specified bus. The valid range is -8V to +8V.

Examples `BUS:B1:ESPI:DATAONE:THReshold 1.0` sets the Bus 1 data threshold to 1.0 V.
`BUS:B1:ESPI:DATAONE:THReshold?` might return
`BUS:B1:ESPI:DATAONE:THReshold 225.00000E-3`, indicating the Bus 1 data threshold is set to 225.0 mV.

BUS:B<x>:ESPI:DATATWO:POLarity

This command sets or queries the ESPI response (single mode)/ IO[1] (dual mode) polarity for the specified bus. The bus is specified by x.

Conditions Requires option SR-ESPI.

Group Bus

Syntax	<code>BUS:B<x>:ESPI:DATATWO:POLarity {HIGH LOW}</code> <code>BUS:B<x>:ESPI:DATATWO:POLarity?</code>
Arguments	<code>B<x></code> is the Bus number. HIGH sets the ESPI data polarity to active high. LOW sets the ESPI data polarity to active low.
Examples	<code>BUS:B1:ESPI:DATATWO:POLarity LOW</code> sets the Bus 1 data polarity to active low. <code>BUS:B1:ESPI:DATATWO:POLarity?</code> might return <code>:BUS:B1:ESPI:DATATWO:POLarity LOW</code> , indicating the Bus 1 data polarity is set to active low.

BUS:B<x>:ESPI:DATATWO:SOURce

This command sets or queries the response (single mode)/ IO[1] (dual mode) Data source for the specified bus. The bus is specified by x.

Conditions	Requires option SR-ESPI.
Group	Bus
Syntax	<code>BUS:B<x>:ESPI:DATATWO:SOURce {CH<x> MATH<x> REF<x>}</code> <code>BUS:B<x>:ESPI:DATATWO:SOURce?</code>
Arguments	<code>B<x></code> is the Bus number. <code>CH<x></code> specifies an analog channel as the source. <code>MATH<x></code> specifies a math channel as the source. <code>REF<x></code> specifies a reference waveform as the source.
Examples	<code>BUS:B1:ESPI:DATATWO:SOURce Ch5</code> sets the data source to channel 5. <code>BUS:B1:ESPI:DATATWO:SOURce?</code> might return <code>:BUS:B1:ESPI:DATATWO:SOURce Ch5</code> , indicating the data source is set to channel 5.

BUS:B<x>:ESPI:DATATWO:THReshold

This command sets or queries the response (single mode)/ IO[1] (dual mode) Data source threshold for the specified bus. The bus is specified by x.

Conditions Requires option SR-ESPI.

Group Bus

Syntax BUS:B<x>:ESPI:DATATWO:THReshold <NR3>
BUS:B<x>:ESPI:DATATWO:THReshold?

Arguments B<x> is the Bus number.

<NR3> sets the command/data threshold for the specified bus. The valid range is -8V to +8V.

Examples BUS:B1:ESPI:DATATWO:THReshold 1.0 sets the Bus 1 data threshold to 1.0 V.
BUS:B1:ESPI:DATATWO:THReshold? might return
BUS:B1:ESPI:DATATWO:THReshold 225.00000E-3, indicating the Bus 1 data threshold is set to 225.0 mV.

BUS:B<x>:ESPI:IOMODE

This command sets or queries the ESPI Input/Output mode for the specified bus. The bus is specified by x.

Conditions Requires option SR-ESPI.

Group Bus

Syntax BUS:B<x>:ESPI:IOMODE {SINGle|DUAL}
BUS:B<x>:ESPI:IOMODE?

Arguments B<x> is the Bus number.

SINGle displays the command and response decode in two lanes.

DUAL displays the decode in a single data lane.

Examples `BUS:B1:ESPI:IOMODE DUAL` sets the Bus 1 mode to dual.
`BUS:B1:ESPI:IOMODE?` might return `:BUS:B1:ESPI:IOMODE DUAL`, indicating the Bus 1 mode is set to dual.

BUS:B<x>:ETHERCAT:DATAMINUSTHRESHold

This command sets or queries the DATA Minus source threshold for the specified EtherCAT bus.

Conditions Requires option SR-ETHERCAT.

Group Bus

Syntax `BUS:B<x>:ETHERCAT:DATAMINUSTHRESHold <NR3>`
`BUS:B<x>:ETHERCAT:DATAMINUSTHRESHold?`

Arguments `B<x>` is the number of the bus.
`<NR3>` is the EtherCAT DataMinus source threshold for the specified bus. The valid range is -8V to +8V. The default value is 0 V.

Examples `BUS:B1:ETHERCAT:DATAMINUSTHRESHold 1.0` sets the EtherCAT DataMinus source threshold to 1.0 V.
`BUS:B1:ETHERCAT:DATAMINUSTHRESHold?` might return `:BUS:B1:ETHERCAT:DATAMINUSTHRESHold 1.0`, indicates the EtherCAT DataMinus source threshold is set to 1.0 V.

BUS:B<x>:ETHERCAT:DATAPLUSTHRESHold

This command sets or queries the DATA Plus source threshold for the specified EtherCAT bus.

Conditions Requires option SR-ETHERCAT.

Group Bus

Syntax `BUS:B<x>:ETHERCAT:DATAPLUSTHRESHold <NR3>`
`BUS:B<x>:ETHERCAT:DATAPLUSTHRESHold?`

Arguments	<p>B<x> is the number of the bus.</p> <p><NR3> is the EtherCAT DataPlus source threshold for the specified bus. The valid range is -8V to +8V. The default value is 0 V.</p>
Examples	<p><code>BUS:B1:ETHERCAT:DATAPLUSTHRESHOLD 1.0</code> sets the EtherCAT DataPlus source threshold to 1.0 V.</p> <p><code>BUS:B1:ETHERCAT:DATAPLUSTHRESHOLD?</code> might return <code>:BUS:B1:ETHERCAT:DATAPLUSTHRESHOLD 1.0</code>, indicates the EtherCAT DataPlus source threshold is set to 1.0 V.</p>

BUS:B<x>:ETHERCAT:SIGNALType

This command sets or queries the signal type for the specified EtherCAT bus.

Conditions	Requires option SR-ETHERCAT.
Group	Bus
Syntax	<code>BUS:B<x>:ETHERCAT:SIGNALType {SINGLE DIFF}</code> <code>BUS:B<x>:ETHERCAT:SIGNALType?</code>
Arguments	<p>B<x> is the number of the bus.</p> <p>SINGLE specifies single-ended signals.</p> <p>DIFF specifies differential signals.</p>
Examples	<p><code>BUS:B1:ETHERCAT:SIGNALType SINGLE</code> sets the Signal Type to single-ended signals.</p> <p><code>BUS:B1:ETHERCAT:SIGNALType?</code> might return <code>:BUS:B1:ETHERCAT:SIGNALType SINGLE</code>, indicates the Signal Type is set to single-ended signals.</p>

BUS:B<x>:ETHERCAT:SOUrce:DIFF

This command sets or queries the differential source for the specified EtherCAT bus.

Conditions	Requires option SR-ETHERCAT.
-------------------	------------------------------

Group	Bus
Syntax	<code>BUS:B<x>:ETHERCAT:SOURce:DIFF {CH<x> MATH<x> REF<x>}</code> <code>BUS:B<x>:ETHERCAT:SOURce:DIFF?</code>
Arguments	<p><code>B<x></code> is the number of the bus.</p> <p><code>CH<x></code> specifies to use one of the analog channels as the differential source.</p> <p><code>MATH<x></code> specifies to use a math waveform as the differential source.</p> <p><code>REF<x></code> specifies to use one of the reference waveforms as the differential source.</p>
Examples	<p><code>BUS:B1:ETHERCAT:SOURce:DIFF CH4</code> specifies to use the channel 4 waveform as the differential source.</p> <p><code>BUS:B1:ETHERCAT:SOURce:DIFF?</code> might return <code>:BUS:B1:ETHERCAT:SOURce:DIFF CH4</code>, indicating that channel 4 is the currently specified differential source.</p>

BUS:B<x>:ETHERCAT:SOURce:DMINus

This command sets or queries the DataMinus (SDATAMINUS) source for the specified EtherCAT bus.

Conditions	Requires option SR-ETHERCAT.
Group	Bus
Syntax	<code>BUS:B<x>:ETHERCAT:SOURce:DMINus {CH<x> MATH<x> REF<x>}</code> <code>BUS:B<x>:ETHERCAT:SOURce:DMINus?</code>
Arguments	<p><code>B<x></code> is the number of the bus.</p> <p><code>CH<x></code> specifies to use one of the analog channels as the DataMinus source.</p> <p><code>MATH<x></code> specifies to use a math waveform as the DataMinus source.</p> <p><code>REF<x></code> specifies to use one of the reference waveforms as the DataMinus source.</p>
Examples	<code>BUS:B1:ETHERCAT:SOURce:DMINus CH4</code> specifies to use the channel 4 waveform as the DataMinus source.

`BUS:B1:ETHERCAT:SOURce:DMINus?` might return
`:BUS:B1:ETHERCAT:SOURce:DMINus CH4`, indicating that channel 4 is the currently specified DataMinus source.

BUS:B<x>:ETHERCAT:SOURce:DPLUS

This command sets or queries the DataPlus (SDATAPLUS) source for the specified EtherCAT bus.

Conditions	Requires option SR-ETHERCAT.
Group	Bus
Syntax	<code>BUS:B<x>:ETHERCAT:SOURce:DPLUS {CH<x> MATH<x> REF<x>}</code> <code>BUS:B<x>:ETHERCAT:SOURce:DPLUS?</code>
Arguments	<p><code>B<x></code> is the number of the bus.</p> <p><code>CH<x></code> specifies to use one of the analog channels as the DataPlus source.</p> <p><code>MATH<x></code> specifies to use a math waveform as the DataPlus source.</p> <p><code>REF<x></code> specifies to use one of the reference waveforms as the DataPlus source.</p>
Examples	<p><code>BUS:B1:ETHERCAT:SOURce:DPLUS CH4</code> specifies to use the channel 4 waveform as the DataPlus source.</p> <p><code>BUS:B1:ETHERCAT:SOURce:DPLUS?</code> might return <code>:BUS:B1:ETHERCAT:SOURce:DPLUS CH4</code>, indicating that channel 4 is the currently specified DataPlus source.</p>

BUS:B<x>:ETHERCAT:THRESHold

This command sets or queries the differential source threshold for the specified EtherCAT bus.

Conditions	Requires option SR-ETHERCAT.
Group	Bus

Syntax	<code>BUS:B<x>:ETHERCAT:THRESHo1d <NR3></code> <code>BUS:B<x>:ETHERCAT:THRESHo1d?</code>
Arguments	<code>B<x></code> is the number of the bus. <code><NR3></code> specifies the EtherCAT differential Source threshold for the specified bus. The default value is 0 V. The valid range is -8 V to +8 V.
Examples	<code>BUS:B1:ETHERCAT:THRESHo1d 1.0</code> sets the EtherCAT differential source threshold to 1.0 V. <code>BUS:B1:ETHERCAT:THRESHo1d?</code> might return <code>:BUS:B1:ETHERCAT:THRESHo1d 1.0</code> , indicating the EtherCAT differential source threshold is set to 1.0 V.

BUS:B<x>:ETHERnet:DATAMINUSTHRESHo1d

This command sets or queries the Ethernet D- source threshold for the specified bus. This threshold only applies when the Ethernet signal type is single ended. The bus is specified by x.

Conditions	Requires option SR-ENET.
Group	Bus
Syntax	<code>BUS:B<x>:ETHERnet:DATAMINUSTHRESHo1d <NR3></code> <code>BUS:B<x>:ETHERnet:DATAMINUSTHRESHo1d?</code>
Related Commands	BUS:B<x>:ETHERnet:SOUrce:DMINus BUS:B<x>:ETHERnet:SOUrce:DPLUs BUS:B<x>:ETHERnet:SIGNALTYpe
Arguments	<code>B<x></code> is the number of the bus. <code><NR3></code> is the Ethernet D- source threshold for the specified bus.
Examples	<code>BUS:B3:ETHERNET:DATAMINUSTHRESHOLD 250.0E-3</code> sets the Bus 3 Ethernet DATA Minus source threshold to 250.0000 mV.

`BUS:B2:ETHERNET:DATAMINUSTHRESHOLD?` might return
`BUS:B2:ETHERNET:DATAMINUSTHRESHOLD 1.0` indicates the Bus 2
Ethernet D- source threshold is set to 1.0 V.

BUS:B<x>:ETHERnet:DATAPLUSTHRESHold

This command sets or queries the Ethernet D+ source threshold for the specified bus. This threshold only applies when the Ethernet signal type is single ended. The bus is specified by x.

Conditions	Requires option SR-ENET.
Group	Bus
Syntax	<code>BUS:B<x>:ETHERnet:DATAPLUSTHRESHold <NR3></code> <code>BUS:B<x>:ETHERnet:DATAPLUSTHRESHold?</code>
Related Commands	BUS:B<x>:ETHERnet:SOUrce:DMINus BUS:B<x>:ETHERnet:SOUrce:DPLUs BUS:B<x>:ETHERnet:SIGNALTYpe
Arguments	<code>B<x></code> is the Bus number. <code><NR3></code> is the Ethernet D+ source threshold for the specified bus.
Examples	<code>BUS:B3:ETHERNET:DATAPLUSTHRESHOLD 250.0E-3</code> sets the Bus 3 Ethernet D+ source threshold to 250.0000 mV. <code>BUS:B2:ETHERNET:DATAMINUSTHRESHOLD?</code> might return <code>:BUS:B2:ETHERNET:DATAPLUSTHRESHOLD 1.0</code> indicating the Bus 2 Ethernet D+ source threshold is set to 1.0 V.

BUS:B<x>:ETHERnet:IPVFOUR

This command sets or queries whether IPV4 packets are available for triggering on Ethernet. The bus is specified by x.

Conditions	Requires option SR-ENET.
-------------------	--------------------------

Group	Bus
Syntax	BUS:B<x>:ETHERnet:IPVFOUR {YES NO} BUS:B<x>:ETHERnet:IPVFOUR?
Arguments	B<x> is the number of the bus. YES specifies that IPV4 packets are available. NO specifies that IPV4 packets are not available.
Examples	BUS:B1:ETHERNET:IPVFOUR NO will specify that Bus 1 does not have IPV4 packets available. BUS:B3:ETHERNET:IPVFOUR? might return :BUS:B3:ETHERNET:IPVFOUR YES indicating that Bus 3 has IPV4 packets available.

BUS:B<x>:ETHERnet:LOWTHRESHold

This command sets or queries the Ethernet source Low threshold for the specified bus. This threshold only applies when the Ethernet signal type is differential. The bus is specified by x.

Conditions	Requires option SR-ENET.
Group	Bus
Syntax	BUS:B<x>:ETHERnet:LOWTHRESHold <NR3> BUS:B<x>:ETHERnet:LOWTHRESHold?
Related Commands	BUS:B<x>:ETHERnet:SIGNALTYpe
Arguments	B<x> is the number of the bus. <NR3> is the Ethernet source Low threshold for the specified bus.
Examples	BUS:B1:ETHERnet:LOWTHRESHold -200e-3 sets the threshold to -200 mV. BUS:B1:ETHERnet:LOWTHRESHold? might return :BUS:B1:ETHERNET:LOWTHRESHOLD -500.0000E-3 indicating the threshold is set to -500 mV.

BUS:B<x>:ETHERnet:QTAGGING

This command sets or queries whether Q-Tagging packets are available for triggering on Ethernet. The bus is specified by x.

Conditions Requires option SR-ENET.

Group Bus

Syntax BUS:B<x>:ETHERnet:QTAGGING {YES|NO}
BUS:B<x>:ETHERnet:QTAGGING?

Arguments B<x> is the number of the bus.
YES specifies that Q-Tagging packets are available.
NO specifies that Q-Tagging packets are not available.

Examples BUS:B1:ETHERnet:QTAGGING YES turns on Q-Tagging.
BUS:B1:ETHERnet:QTAGGING? might return :BUS:B1:ETHERnet:QTAGGING YES indicating that Q-tagging packets are available.

BUS:B<x>:ETHERnet:SIGNALTYpe

This command sets or queries the Ethernet signal type for the specified bus. The bus is specified by x.

Conditions Requires option SR-ENET.

Group Bus

Syntax BUS:B<x>:ETHERnet:SIGNALTYpe {SINGLE|DIFF}
BUS:B<x>:ETHERnet:SIGNALTYpe?

Arguments B<x> is the number of the bus.
SINGLE specifies single-ended signals.
DIFF specifies differential signals.

Examples `BUS:B1:ETHERnet:SIGNALType SINGLE` specifies single-ended signals.
`BUS:B1:ETHERnet:SIGNALType?` might return
`:BUS:B1:ETHERNET:SIGNALType DIFF` indicating differential signals are specified.

BUS:B<x>:ETHERnet:SOURce

This command sets or queries the Ethernet data (SDATA) source for the specified bus. This command controls the source channel when the signal type is differential. The bus number is specified by x.

Conditions Requires option SR-ENET.

Group Bus

Syntax `BUS:B<x>:ETHERnet:SOURce {CH<x>|MATH<x>|REF<x>}`
`BUS:B<x>:ETHERnet:SOURce?`

Related Commands [BUS:B<x>:ETHERnet:THRESHold](#)

Arguments `B<x>` is the number of the bus.
`CH<x>` specifies to use one of the analog channels as the Ethernet data source for differential input.
`MATH<x>` specifies to use a math waveform as the source for Ethernet data differential input
`REF<x>` specifies to use one of the reference waveforms as the Ethernet data source for differential input.

Examples `BUS:B1:ETHERNET:SOURCE CH4` specifies to use the channel 4 waveform as the source for Ethernet data.
`BUS:B1:ETHERNET:SOURCE?` might return CH2, indicating that channel 2 is the currently specified source for Ethernet data.

BUS:B<x>:ETHERnet:SOURce:DMINus

This command sets or queries the Ethernet D- source for the specified bus. this command specifies the source channel to use when the signal type is single ended. The bus is specified by x.

Group	Bus
Syntax	BUS:B<x>:ETHERnet:SOURce:DMINus {CH<x> MATH<x> REF<x>} BUS:B<x>:ETHERnet:SOURce:DMINus?
Arguments	B<x> is the number of the bus. CH<x> specifies an analog channel to use source. MATH<x> specifies a math waveform to use as the source. REF<x> specifies a reference waveform to use as the source.
Examples	BUS:B1:ETHERNET:SOURce:DMINus CH1 sets the D- source to channel 1. BUS:B1:ETHERNET:SOURce:DMINus? might return :BUS:B1:ETHERNET:SOURce:DMINUS CH2 indicating the D- source is set to channel 2.

BUS:B<x>:ETHERnet:SOURce:DPLUS

This command sets or queries the Ethernet D+ source for the specified bus. this command specifies the source channel to use when the signal type is single ended. The bus is specified by x.

Group	Bus
Syntax	BUS:B<x>:ETHERnet:SOURce:DPLUS {CH<x> MATH<x> REF<x>} BUS:B<x>:ETHERnet:SOURce:DPLUS?
Arguments	B<x> is the number of the bus. CH<x> specifies an analog channel to use source. MATH<x> specifies a math waveform to use as the source. REF<x> specifies a reference waveform to use as the source.

Examples `BUS:B1:ETHERNET:SOURCE:DPLUS Ch5` sets the D+ source to channel 5.
`BUS:B1:ETHERNET:SOURCE:DPLUS?` might return
`:BUS:B1:ETHERNET:SOURCE:DPLUS CH5` indicating the D+ source is set to channel 5.

BUS:B<x>:ETHERnet:THRESHold

This command sets or queries the Ethernet DATA source High threshold for the specified bus. The bus is specified by x.

Conditions Requires option SR-ENET.

Group Bus

Syntax `BUS:B<x>:ETHERnet:THRESHold <NR3>`
`BUS:B<x>:ETHERnet:THRESHold?`

Related Commands [BUS:B<x>:ETHERnet:SOURce](#)

Arguments B<x> is the number of the bus.
 <NR3> is the Ethernet DATA source High threshold for the specified bus.

Examples `BUS:B4:ETHERNET:THRESHOLD 1.0` sets the Bus 4 Ethernet DATA source High threshold to 1.0 V.
`BUS:B3:ETHERNET:THRESHOLD?` might return
`BUS:B3:ETHERNET:THRESHOLD 225.00000E-3` indicates the Bus 3 Ethernet DATA source High threshold is set to 225.0 mV.

BUS:B<x>:ETHERnet:TYPE

This command specifies the Ethernet standard speed. The bus number is specified by x.

Conditions Requires option SR-ENET.

Group Bus

Syntax `BUS:B<x>:ETHERnet:TYPE {TENBASET|HUNDREDBASETX}`
`BUS:B<x>:ETHERnet:TYPE?`

Arguments `B<x>` is the number of the bus.

TENBASET specifies the Ethernet speed as 10Base-T.

HUNDREDBASETX specifies the Ethernet speed as 100Base-T.

Examples `BUS:B1:ETHERNET:TYPE HUNDREDBASETX` specifies the Ethernet speed as 100Base-T.

`BUS:B1:ETHERNET:TYPE?` might return TENBASET, indicating that 10Base-T is the currently specified Ethernet speed.

BUS:B<x>:EUSB:BITRate

This command sets or queries the eUSB data rate for the specified bus.

Conditions Requires option SR-EUSB2.

Group Bus

Syntax `BUS:B<x>:EUSB:BITRate {HIGH|FULL|LOW}`
`BUS:B<x>:EUSB:BITRate?`

Arguments `B<x>` is the number of the bus.

HIGH sets the bit rate to Bit Rate to 480 Mbps.

FULL sets the bit rate to Bit Rate to 12 Mbps.

LOW sets the bit rate to Bit Rate to 1.5 Mbps.

Examples `BUS:B1:EUSB:BITRate HIGH` sets the bit rate to 480 Mbps.

`BUS:B1:EUSB:BITRate?` might return `:BUS:B1:EUSB:BITRate FULL`, indicating the bit rate is set to 12 Mbps.

BUS:B<x>:EUSB:DATAMINUS:DATA:THRESHold

This command sets or queries the eUSB D- Input Source Data Threshold for Data line decode for specified bus.

Conditions	Requires option SR-EUSB2.
Group	Bus
Syntax	<code>BUS:B<x>:EUSB:DATAMINUS:DATA:THRESHoId <NR3></code> <code>BUS:B<x>:EUSB:DATAMINUS:DATA:THRESHoId?</code>
Arguments	<code>B<x></code> is the number of the bus. <code><NR3></code> is the EUSB Strobe threshold for the specified bus. The argument range is -8 V to +8 V.
Examples	<code>BUS:B1:EUSB:DATAMINUS:DATA:THRESHoId 1.0</code> sets the bus 1 eUSB threshold to 1.0 V. <code>BUS:B1:EUSB:DATAMINUS:DATA:THRESHoId?</code> might return <code>:BUS:B1:EUSB:DATAMINUS:DATA:THRESHoId -8.0</code> , indicating the bus 1 eUSB threshold is set to -8.0V.

BUS:B<x>:EUSB:DATAMINUSTHRESHoId

This command sets or queries the eUSB D- Input Source Data Threshold for Data line decode for specified bus.

Conditions	Requires option SR-EUSB2.
Group	Bus
Syntax	<code>BUS:B<x>:EUSB:DATAMINUSTHRESHoId <NR3></code> <code>BUS:B<x>:EUSB:DATAMINUSTHRESHoId?</code>
Arguments	<code>B<x></code> is the number of the bus. <code><NR3></code> is the eUSB DATA Minus source threshold. The argument range is -8 V to +8 V.
Examples	<code>BUS:B1:EUSB:DATAMINUSTHRESHoId 0.0</code> sets the bus 1 eUSB threshold to 0.0 V. <code>BUS:B1:EUSB:DATAMINUSTHRESHoId?</code> might return <code>:BUS:B1:EUSB:DATAMINUSTHRESHoId -8.0</code> , indicating the bus 1 eUSB threshold is set to -8.0 V.

BUS:B<x>:EUSB:DATAPLUS:DATA:THRESHold

This command sets or queries the eUSB D+ Input Source Data Threshold for Data line decode for specified bus.

Conditions Requires option SR-EUSB2.

Group Bus

Syntax BUS:B<x>:EUSB:DATAPLUS:DATA:THRESHold <NR3>
BUS:B<x>:EUSB:DATAPLUS:DATA:THRESHold?

Arguments B<x> is the number of the bus.

<NR3> is the eUSB Strobe threshold for the specified bus. The argument range is -8 V to +8 V.

Examples BUS:B1:EUSB:DATAPLUS:DATA:THRESHold 1.0 sets the bus 1 eUSB threshold to 1.0 V.

BUS:B1:EUSB:DATAPLUS:DATA:THRESHold? might return
:BUS:B1:EUSB:DATAPLUS:DATA:THRESHold -8.0, indicating the bus 1 eUSB threshold is set to -8.0V.

BUS:B<x>:EUSB:DATAPLUSTHRESHold

This command sets or queries the eUSB DATA Plus source threshold for the specified bus.

Conditions Requires option SR-EUSB2.

Group Bus

Syntax BUS:B<x>:EUSB:DATAPLUSTHRESHold <NR3>
BUS:B<x>:EUSB:DATAPLUSTHRESHold?

Arguments B<x> is the number of the bus.

<NR3> is the eUSB DATA Plus source threshold. The argument range is -8 V to +8 V.

Examples `BUS:B1:EUSB:DATAPLUSTHRESHo1d 0.0` sets the bus 1 eUSB threshold to 0.0 V.

`BUS:B1:EUSB:DATAPLUSTHRESHo1d?` might return `:BUS:B1:EUSB:DATAPLUSTHRESHo1d -8.0V`, indicating the bus 1 eUSB threshold is set to -8.0 V.

BUS:B<x>:EUSB:LOWTHRESHo1d

This command sets or queries the eUSB source Low threshold for the specified bus when signal type is Differential.

Conditions Requires option SR-EUSB2.

Group Bus

Syntax `BUS:B<x>:EUSB:LOWTHRESHo1d <NR3>`
`BUS:B<x>:EUSB:LOWTHRESHo1d?`

Arguments `B<x>` is the number of the bus.

`<NR3>` is the eUSB Strobe threshold for the specified bus. The argument range is -8 V to +8 V.

Examples `BUS:B1:EUSB:LOWTHRESHo1d 1.0` sets the bus 1 eUSB threshold to 1.0 V.

`BUS:B1:EUSB:LOWTHRESHo1d?` might return `:BUS:B1:EUSB:LOWTHRESHo1d -8.0V`, indicating the bus 1 eUSB threshold is set to -8.0V

BUS:B<x>:EUSB:OPERating:MODE

This command sets or queries the eUSB mode for the specified bus.

Conditions Requires option SR-EUSB2.

Group Bus

Syntax `BUS:B<x>:EUSB:OPERating:MODE`
`{NATive|REPEATERHOST|REPEATERPERIPHERAL}`
`BUS:B<x>:EUSB:OPERating:MODE?`

Arguments	<p>B<x> is the number of the bus.</p> <p>NATive sets the operating mode as native.</p> <p>REPEATERHOST sets the operating mode as repeater host.</p> <p>REPEATERPERIPHERAL sets the operating mode as repeater peripheral.</p>
Examples	<p>BUS:B1:EUSB:OPERating:MODE NATive sets the operating mode as native.</p> <p>BUS:B1:EUSB:OPERating:MODE? might return :BUS:B1:EUSB:OPERating:MODE NATive, indicating that operating mode is native.</p>

BUS:B<x>:EUSB:SIGNALTYpe

This command sets or queries the eUSB signal type for the specified bus.

Conditions	Requires option SR-EUSB2.
Group	Bus
Syntax	<p>BUS:B<x>:EUSB:SIGNALTYpe {SINGLE DIFF}</p> <p>BUS:B<x>:EUSB:SIGNALTYpe?</p>
Arguments	<p>B<x> is the number of the bus.</p> <p>SINGLE sets the signal type to single.</p> <p>DIFF sets the signal type to differential.</p>
Examples	<p>BUS:B1:EUSB:SIGNALTYpe SINGLE sets the eUSB signal type to single for bus 1.</p> <p>BUS:B1:EUSB:SIGNALTYpe? might return :BUS:B1:EUSB:SIGNALTYpe SINGLE, indicating the eUSB signal type is single for bus 1.</p>

BUS:B<x>:EUSB:SOUrce:DIFF

This command sets or queries the eUSB Diff source for the specified bus when signal type is Diff.

Conditions	Requires option SR-EUSB2.
-------------------	---------------------------

Group	Bus
Syntax	<code>BUS:B<x>:EUSB:SOURce:DIFF {CH<x> MATH<x> REF<x>}</code> <code>BUS:B<x>:EUSB:SOURce:DIFF?</code>
Arguments	<p><code>B<x></code> is the number of the bus.</p> <p><code>CH<x></code> specifies an analog channel to use source.</p> <p><code>MATH<x></code> specifies a math waveform to use as the source.</p> <p><code>REF<x></code> specifies a reference waveform to use as the source.</p>
Examples	<p><code>BUS:B1:EUSB:SOURce:DIFF Ch1</code> sets the channel to 1.</p> <p><code>BUS:B1:EUSB:SOURce:DIFF?</code> might return <code>:BUS:B1:EUSB:SOURce:DIFF CH1</code>, indicating channel 1 is the source.</p>

BUS:B<x>:EUSB:SOURce:DMINus

This command sets or queries the eUSB DataMinus (SDATAMINUS) source for the specified bus.

Conditions	Requires option SR-EUSB2.
Group	Bus
Syntax	<code>BUS:B<x>:EUSB:SOURce:DMINus {CH<x> MATH<x> REF<x>}</code> <code>BUS:B<x>:EUSB:SOURce:DMINus?</code>
Arguments	<p><code>B<x></code> is the number of the bus.</p> <p><code>CH<x></code> specifies an analog channel to use source.</p> <p><code>MATH<x></code> specifies a math waveform to use as the source.</p> <p><code>REF<x></code> specifies a reference waveform to use as the source.</p>
Examples	<p><code>BUS:B1:EUSB:SOURce:DMINus CH1</code> sets the channel to 1.</p> <p><code>BUS:B1:EUSB:SOURce:DMINus?</code> might return <code>:BUS:B1:EUSB:SOURce:DMINus CH1</code>, indicating channel 1 is the source.</p>

BUS:B<x>:EUSB:SOURce:DPLUs

This command sets or queries the eUSB dataPlus (SDATAPLUS) source for the specified bus.

Conditions	Requires option SR-EUSB2.
Group	Bus
Syntax	BUS:B<x>:EUSB:SOURce:DPLUs {CH<x> MATH<x> REF<x>} BUS:B<x>:EUSB:SOURce:DPLUs?
Arguments	B<x> is the number of the bus. CH<x> specifies an analog channel to use source. MATH<x> specifies a math waveform to use as the source. REF<x> specifies a reference waveform to use as the source.
Examples	BUS:B1:EUSB:SOURce:DPLUS CH1 sets the channel to 1. BUS:B1:EUSB:SOURce:DPLUS? might return :BUS:B1:EUSB:SOURce:DPLUS CH1, indicating channel 1 is the source.

BUS:B<x>:EUSB:THRESHold

This command sets or queries the eUSB source High threshold for the specified bus when signal type is Diff.

Conditions	Requires option SR-EUSB2.
Group	Bus
Syntax	BUS:B<x>:EUSB:THRESHold <NR3> BUS:B<x>:EUSB:THRESHold ?
Arguments	B<x> is the number of the bus. <NR3> is the eUSB Strobe threshold for the specified bus. The argument range is -8 V to +8 V.

Examples `BUS:B1:EUSB:THRESHo1d 1.0` sets the bus 1 eUSB threshold to 1.0 V.
`BUS:B1:EUSB:THRESHo1d?` might return `:BUS:B1:EUSB:THRESHo1d -8.0v`, indicating the bus 1 eUSB threshold is set to -8.0V

BUS:B<x>:FLEXray:BITRate

This command sets or queries the FlexRay bus bit rate. The bus is specified by x. If you select Custom, use `BUS:B<x>:FLEXray:BITRate:CUSTom` to set the bit rate.

Conditions Requires option SR-AUTO.

Group Bus

Syntax `BUS:B<x>:FLEXray:BITRate {CUSTOM|RATE2M|RATE5M|RATE10M}`
`BUS:B<x>:FLEXray:BITRate?`

Arguments B<x> is the number of the bus.
 CUSTOM sets a custom bit rate.
 RATE2M sets the bit rate to 2 Mb.
 RATE5M sets the bit rate to 5 Mb.
 RATE10M sets the bit rate to 10 Mb.

Examples `BUS:B1:FLEXRAY:BITRate RATE2M` sets the bit rate to 2 Mb.
`BUS:B1:FLEXRAY:BITRate?` might return `:BUS:B1:FLEXRAY:BITRATE RATE10M`, indicating the bit rate is 10 Mb.

BUS:B<x>:FLEXray:BITRate:CUSTom

This command sets or queries the FlexRay custom bit rate for the specified bus. The bus is specified by x.

Conditions Requires option SR-AUTO.

Group Bus

Syntax `BUS:B<x>:FLEXray:BITRate:CUSTOM <NR1>`
`BUS:B<x>:FLEXray:BITRate:CUSTOM?`

Arguments `B<x>` is the number of the bus.

`<NR1>` is the FlexRay custom bit rate for the specified bus.

Examples `BUS:B1:FLEXray:BITRate:CUSTOM 10000000` sets the bit rate to 10,000,000.

`BUS:B1:FLEXray:BITRate:CUSTOM?` might return
`:BUS:B1:FLEXRAY:BITRATE:CUSTOM 10000000` indicating the bit rate
is set to 10,000,000.

BUS:B<x>:FLEXray:CHannel

This command sets or queries the FlexRay channel type for the specified bus. The bus number is specified by x.

Conditions Requires option SR-AUTO.

Group Bus

Syntax `BUS:B<x>:FLEXray:CHannel {A|B}`
`BUS:B<x>:FLEXray:CHannel?`

Arguments `B<x>` is the number of the bus.

`A` specifies the A channel.

`B` specifies the B channel.

Examples `BUS:B1:FLEXRAY:CHANNEL B` sets the FlexRay channel to B.

`BUS:B1:FLEXRAY:CHANNEL?` might return `:BUS:B1:FLEXRAY:CHANNEL A`,
indicating the channel is set to A.

BUS:B<x>:FLEXray:LOWTHRESHold

This command sets or queries the FlexRay data source low threshold for the specified bus. The bus is specified by x.

Conditions Requires option SR-AUTO.

Group	Bus
Syntax	<code>BUS:B<x>:FLEXray:LOWTHRESHo1d <NR3></code> <code>BUS:B<x>:FLEXray:LOWTHRESHo1d?</code>
Arguments	<code><NR3></code> is the FlexRay data source low threshold for the specified bus. <code>B<x></code> is the number of the bus.
Examples	<code>BUS:B1:FLEXray:LOWTHRESHo1d 50.0e-3</code> sets the threshold to 50 mV. <code>BUS:B1:FLEXray:LOWTHRESHo1d?</code> might : <code>BUS:B1:FLEXray:LOWTHRESHo1d 0.0E+0</code> indicating the threshold is set to 0.0 V.

BUS:B<x>:FLEXray:SIGnal

This command sets or queries the FlexRay signal type for the specified bus. The bus number is specified by x.

Conditions	Requires option SR-AUTO.
Group	Bus
Syntax	<code>BUS:B<x>:FLEXray:SIGna1 {BDIFFBP BM TXRX}</code> <code>BUS:B<x>:FLEXray:SIGna1?</code>
Arguments	<code>B<x></code> is the number of the bus. <code>BDIFFBP</code> sets the FlexRay signal type to BDIFFBP. <code>BM</code> sets the FlexRay signal type to BM. <code>TXRX</code> sets the FlexRay signal type to TXRX.
Examples	<code>BUS:B1:FLEXRAY:SIGNAL BM</code> sets the FlexRay channel type to BM. <code>BUS:B1:FLEXRAY:SIGNAL?</code> might return <code>:BUS:B1:FLEXRAY:SIGNAL BDIFFBP</code> , indicating the FlexRay channel type is set to BDIFFBP.

BUS:B<x>:FLEXray:SOURce

This command sets or queries the Flexray bus data source for the specified bus when the signal type is BDIFFBP or BM. The bus number is specified by x.

Conditions Requires option SR-AUTO.

Group Bus

Syntax BUS:B<x>:FLEXray:SOURce {CH<x>|MATH<x>|REF<x>}
 BUS:B<x>:FLEXray:SOURce?

Arguments B<x> is the number of the bus.
 CH<x> specifies an analog channel to use source.
 MATH<x> specifies a math waveform to use as the source.
 REF<x> specifies a reference waveform to use as the source.

Examples BUS:B1:FLEXRAY:SOURce MATH4 sets the FlexRay source to Math 4.
 BUS:B1:FLEXRAY:SOURce? might return :BUS:B1:FLEXRAY:SOURce CH1, indicating the source is channel 1.

BUS:B<x>:FLEXray:SOURce:TXRX

This command sets or queries the FlexRay TxRx data source for the specified bus when the signal type is TXRX. The bus is specified by x.

Conditions Requires option SR-AUTO.

Group Bus

Syntax BUS:B<x>:FLEXray:SOURce:TXRX
 {CH<x>|CH<x>_D<x>|MATH<x>|REF<x>|REF<x>_D<x>}
 BUS:B<x>:FLEXray:SOURce:TXRX?

Arguments B<x> is the number of the bus.
 CH<x> specifies an analog channel to use source.
 CH<x>_D<x> specifies a digital channel to use as the source.

MATH<x> specifies a math waveform to use as the source.

REF<x> specifies a reference waveform to use as the source.

REF<x>_D<x> specifies a digital reference waveform as the source.

Examples `BUS:B1:FLEXray:SOURce:TXRX CH1` sets the TXRX source the channel 1.
`BUS:B1:FLEXray:SOURce:TXRX?` might return
`:BUS:B1:FLEXRAY:SOURCE:TXRX CH1_D0` indicating the TXRX source is set to CH1_D0.

BUS:B<x>:FLEXray:THRESHold

This command sets or queries the FlexRay data source high threshold for the specified bus. The bus is specified by x.

Conditions Requires option SR-AUTO.

Group Bus

Syntax `BUS:B<x>:FLEXray:THRESHold <NR3>`
`BUS:B<x>:FLEXray:THRESHold?`

Arguments `B<x>` is the number of the bus.
`<NR3>` is the FlexRay data source high threshold for the specified bus.

Examples `BUS:B1:FLEXray:THRESHold 50.0-3` sets the high threshold to 50 mV.
`BUS:B1:FLEXray:THRESHold?` might return `:BUS:B1:FLEXRAY:THRESHOLD 0.0E+0` indicating the high threshold is set to 0.0 V.

BUS:B<x>:FLEXray:TXRXTHRESHold

This command sets or queries the FlexRay data source TxRx threshold for the specified bus. The bus is specified by x.

Conditions Requires option 5-SREMBD or SUP5-SREMBD.

Group Bus

Syntax `BUS:B<x>:FLEXray:TXRXTHRESHo1d <NR3>`
 `BUS:B<x>:FLEXray:TXRXTHRESHo1d?`

Arguments `B<x>` is the number of the bus.
 `<NR3>` is the TxRx threshold.

Examples `BUS:B1:FLEXray:TXRXTHRESHo1d 50.0e-3` sets the threshold to 50 mV.
 `BUS:B1:FLEXray:TXRXTHRESHo1d?` might return
 `:BUS:B1:FLEXRAY:TXRXTHRESHOLD 0.0E+0` indicating the threshold is
 set to 0.0 V.

BUS:B<x>:I2C:CLOCK:SOURce

This command sets or queries the I2C clock (SCLK) source for the specified bus. The bus is specified by x.

Conditions Requires option 5-SREMBD or SUP5-SREMBD.

Group Bus

Syntax `BUS:B<x>:I2C:CLOCK:SOURce`
 `{CH<x>|CH<x>_D<x>|MATH<x>|REF<x>|REF<x>_D<x>}`
 `BUS:B<x>:I2C:CLOCK:SOURce?`

Related Commands [BUS:B<x>:I2C:DATA:SOURce](#)
 [BUS:B<x>:I2C:RWINADDR](#)

Arguments `B<x>` is the number of the bus.
 `CH<x>` specifies an analog channel to use as the I2C SCLK source.
 `CH<x>_D<x>` specifies a digital channel to use as the I2C SCLK source.
 `MATH<x>` specifies a math waveform to use as the I2C SCLK source.
 `REF<x>` specifies a reference waveform to use as the I2C SCLK source.
 `REF<x>_D<x>` specifies a digital reference waveform as the clock source
 waveform for the specified I2C bus.

Examples `BUS:B1:I2C:CLOCK:SOURCE CH1` sets the I2C SCLK source to CH1.
`BUS:B1:I2C:CLOCK:SOURCE?` might return `:BUS:B1:I2C:CLOCK:SOURCE CH4_D5`, indicating that the I2C SCLK source is set to D5 of FlexChannel 4.

BUS:B<x>:I2C:CLOCK:THReshold

This command sets or queries the I2C Clock (SCLK) source threshold for the specified bus. The bus is specified by x.

Conditions Requires option 5-SREMBD or SUP5-SREMBD.

Group Bus

Syntax `BUS:B<x>:I2C:CLOCK:THReshold <NR3>`
`BUS:B<x>:I2C:CLOCK:THReshold?`

Arguments B<x> is the number of the bus.
<NR3> is the I2C Clock (SCLK) source threshold for the specified bus.

Examples `BUS:B1:I2C:CLOCK:THReshold 50.0e-3` sets the threshold to 50 mV.
`BUS:B1:I2C:CLOCK:THReshold?` might return `:BUS:B1:I2C:CLOCK:THRESHOLD 0.0E+0` indicating the threshold is set to 0 V.

BUS:B<x>:I2C:DATA:SOURce

This command sets or queries the I2C data (SDA) source for the specified I2C bus. The bus is specified by x.

Conditions Requires option 5-SREMBD or SUP5-SREMBD.

Group Bus

Syntax `BUS:B<x>:I2C:DATA:SOURce`
`{CH<x> | CH<x>_D<x> | MATH<x> | REF<x> | REF<x>_D<x>}`
`BUS:B<x>:I2C:DATA:SOURce?`

Related Commands [BUS:B<x>:I2C:CLOCK:SOURce](#)
[BUS:B<x>:I2C:RWINADDR](#)

Arguments B<x> is the Bus number.
 CH<x> specifies an analog channel to use as the I2C SDA source.
 CH<x>_D<x> specifies a digital channel to use as the I2C SDA source.
 MATH<x> specifies a math waveform to use as the I2C SDA source.
 REF<x> specifies a reference waveform to use as the I2C SDA source.
 REF<x>_D<x> specifies a digital reference waveform as the data source waveform for the specified I2C bus.

Examples `BUS:B1:I2C:DATA:SOURCE CH1_D5` sets the I2C SDA source to CH1_D5.
`BUS:B1:I2C:DATA:SOURCE?` might return `:BUS:B1:I2C:DATA:SOURCE MATH1`, indicating that the I2C SDA source is set to MATH1.

BUS:B<x>:I2C:DATA:THReshold

This command sets or queries the I2C Data (SDA) source threshold for the specified bus. The bus is specified by x.

Conditions Requires option 5-SREMBD or SUP5-SREMBD.

Group Bus

Syntax `BUS:B<x>:I2C:DATA:THReshold <NR3>`
`BUS:B<x>:I2C:DATA:THReshold?`

Arguments B<x> is the number of the bus.
 <NR3> is the I2C Data (SDA) source threshold for the specified bus.

Examples `BUS:B1:I2C:DATA:THReshold 50.0e-3` sets the threshold to 50 mV.
`BUS:B1:I2C:DATA:THReshold?` might return `:BUS:B1:I2C:DATA:THRESHOLD 0.0E+0` indicating the threshold is set to 0 V.

BUS:B<x>:I2C:RWINADDR

This command sets or queries the manner in which seven-bit I2C addresses are represented in the busform display of the specified bus. The bus is specified by x.

Conditions Requires option 5-SREMBD or SUP5-SREMBD.

Group Bus

Syntax BUS:B<x>:I2C:RWINADDR {0|1}
BUS:B<x>:I2C:RWINADDR?

Related Commands [BUS:B<x>:I2C:CLOCK:SOUrce](#)
[BUS:B<x>:I2C:DATA:SOUrce](#)

Arguments B<x> is the number of the bus.

0 displays seven-bit slave addresses as integers in the range of 0 to 127, with the state of the R/W* bit from the LSB of the slave address byte. For example, the slave address byte of 0b10100101 is displayed as the value 0x52 R.

1 displays the entire slave address byte as a number, with the R/W* signal as its LSB (bit 0) and the slave address in bits 7..1. For example, the slave address byte of 0b10100101 is displayed as the value 0xA5 R.

Examples BUS:B1:I2C:RWINADDR 0 displays seven-bit slave addresses as integers in the range of 0 to 127.

BUS:B1:I2C:RWINADDR? might return :BUS:B1:I2C:RWINADDR 1, indicating that the entire slave address byte is displayed as a number, with the R/W* signal as its LSB (bit 0) and the slave address in bits 7..1.

BUS:B<x>:I3C:CLOCK:SOUrce

This command sets or queries the I3C clock (SCLK) source for the specified bus.

Requires purchase and installation of option SRI3C.

Group Bus

Syntax BUS:B<x>:I3C:CLOCK:SOUrce
{CH<x>|CH<x>_D<x>|MATH<x>|REF<x>|REF<x>_D<x>}

`BUS:B<x>:I3C:CLOCK:SOURce?`

Related Commands [BUS:B<x>:I3C:CLOCK:THReshold](#)

Arguments `B<x>` specifies the bus number.

`CH<x>` specifies the analog channel to use as the I3C SCLK source.

`CH<x>_D<x>` specifies the digital channel to use as the I3C SCLK source.

`MATH<x>` specifies the math waveform to use as the I3C SCLK source.

`REF<x>` specifies the reference waveform to use as the I3C SCLK source.

`REF<x>_D<x>` specifies the digital reference waveform to use as the I3C SCLK source.

Examples `BUS:B5:I3C:CLOCK:SOURCE CH1` sets the Bus 5 I3C SCLK source to Channel 1.

`BUS:B2:I3C:CLOCK:SOURCE?` might return `BUS:B2:I3C:CLOCK:SOURCE CH4_D5`, indicating that the Bus 2 I3C SCLK source is set to Digital signal 5 of Channel 4.

BUS:B<x>:I3C:CLOCK:THReshold

This command sets or queries the I3C clock (SCLK) source threshold level for the specified bus.

Requires purchase and installation of option SRI3C.

Group Bus

Syntax `BUS:B<x>:I3C:CLOCK:THReshold <NR3>`
`BUS:B<x>:I3C:CLOCK:THReshold?`

Related Commands [BUS:B<x>:I3C:CLOCK:SOURce](#)

Arguments `B<x>` specifies the bus number.

`<NR3>` is the threshold value for I3C Clock (SCLK) source of the specified bus.

Examples `BUS:B3:I3C:CLOCK:THReshold 50.0e-3` sets the I3C clock threshold to 50 mV for Bus 3.

BUS:B3:I3C:CLOCK:THRESHOLD? might return
 BUS:B1:I3C:CLOCK:THRESHOLD 0.0E+0, indicating the threshold is set to 0 V.

BUS:B<x>:I3C:DATA:SOURce

This command sets or queries the I3C data clock (SDA) source for the specified bus.

Requires purchase and installation of option SRI3C.

Group Bus

Syntax BUS:B<x>:I3C:DATA:SOURce
 {CH<x> | CH<x>_D<x> | MATH<x> | REF<x> | REF<x>_D<x>}
 BUS:B<x>:I3C:DATA:SOURce?

Related Commands [BUS:B<x>:I3C:DATA:THReshold](#)

Arguments B<x> specifies the bus number.
 CH<x> specifies the analog channel to use as the I3C SDA source.
 CH<x>_D<x> specifies the digital channel to use as the I3C SDA source.
 MATH<x> specifies the math waveform to use as the I3C SDA source.
 REF<x> specifies the reference waveform to use as the I3C SDA source.
 REF<x>_D<x> specifies the digital reference waveform to use as the I3C SDA source.

Examples BUS:B5:I3C:DATA:SOURCE CH1 sets the Bus 5 I3C SDA clock source to Channel 1.
 BUS:B2:I3C:DATA:SOURCE? might return BUS:B2:I3C:DATA:SOURCE MATH1, indicating that the Bus 2 I3C SDA source is set to Math waveform 1.

BUS:B<x>:I3C:DATA:THReshold

This command sets or queries the I3C clock (SDA) data threshold level for the specified bus.

Requires purchase and installation of option SRI3C.

Group Bus

Syntax **BUS:B<x>:I3C:DATA:THResho1d <NR3>**
BUS:B<x>:I3C:DATA:THResho1d?

Related Commands **BUS:B<x>:I3C:DATA:SOUrce**

Arguments **B<x>** specifies the bus number.

 <NR3> is the threshold value for I3C Data Clock (SDA) source of the specified bus.

Examples **BUS:B3:I3C:DATA:THResho1d 50.0e-2** sets the I3C data threshold to 500 mV for Bus 3.

 BUS:B3:I3C:DATA:THResho1d? might return
 BUS:B1:I3C:DATA:THRESHOLD 0.0E+0, indicating the Bus 1 I3C SDA threshold is set to 0 V.

BUS:B<x>:I3C:VERSion

This command sets or queries the version for the specified bus.

Conditions Requires option SRI3C

Group Bus

Syntax **BUS:B<x>:I3C:VERSion {VR10|VR11}**
BUS:B<x>:I3C:VERSion?

Arguments **B<x>** is the number of the bus.

 VR10 sets the version to Version 1.0. This is the default version.

 VR11 sets the version to Version 1.1.

Examples **BUS:B1:I3C:VERSion VR11** sets the version to Version 1.1.

 BUS:B1:I3C:VERSion? might return **:BUS:B1:I3C:VERSion VR11** indicating that version 1.1 is selected for the decode.

BUS:B<x>:LABel:COLor

This command sets or queries the color of the specified bus label. The bus is specified by x.

Group Bus

Syntax BUS:B<x>:LABel:COLor <QString>
BUS:B<x>:LABel:COLor?

Arguments B<x> is the number of the bus.

<QString> is the bus label color. To return the color to the default color, send an empty string as in this example: :BUS:B1:LABel:COLor "".

Examples BUS:B1:LABel:COLor "#FF0000" sets the label color to red.
BUS:B1:LABel:COLor? might return :BUS:B1:LABel:COLor "#FF0000" indicating the color is red.

BUS:B<x>:LABel:FONT:BOLD

This command sets or queries the bold state of the specified bus label. The bus is specified by x.

Group Bus

Syntax BUS:B<x>:LABel:FONT:BOLD {ON|OFF|1|0}
BUS:B<x>:LABel:FONT:BOLD?

Arguments B<x> is the number of the bus.

ON displays the label in bold font.

OFF does not display the label in bold font.

1 displays the label in bold font.

0 does not display the label in bold font.

Examples `BUS:B1:LABe1:FONT:BOLD OFF` turns off bold font.
`BUS:B1:LABe1:FONT:BOLD?` might return `:BUS:B1:LABEL:FONT:BOLD 1` indicating a bold font.

BUS:B<x>:LABe1:FONT:ITALic

This command sets or queries the italic state of the specified bus label. The bus is specified by x.

Group Bus

Syntax `BUS:B<x>:LABe1:FONT:ITALic {ON|OFF|1|0}`
`BUS:B<x>:LABe1:FONT:ITALic?`

Arguments `B<x>` is the number of the bus.
`ON` displays the label in italic font.
`OFF` does not display the label in italic font.
`1` displays the label in italic font.
`0` does not display the label in italic font.

Examples `BUS:B1LABe1:FONT:ITALic OFF` turns off italic font.
`BUS:B1LABe1:FONT:ITALic?` might return `:BUS:B1:LABEL:FONT:ITALIC 1` indicating the font is italic.

BUS:B<x>:LABe1:FONT:SIZE

This command sets or queries the font size of the specified bus label. The bus is specified by x.

Group Bus

Syntax `BUS:B<x>:LABe1:FONT:SIZE <NR1>`
`BUS:B<x>:LABe1:FONT:SIZE?`

Arguments `B<x>` is the number of the bus.
`<NR1>` is the font size.

Examples `BUS:B1:LABel:FONT:SIZE 10` sets the font size to 10 points.
`BUS:B1:LABel:FONT:SIZE?` might return `:BUS:B1:LABel:FONT:SIZE 20` indicating the font size is 20 points.

BUS:B<x>:LABel:FONT:TYPE

This command sets or queries the font type of the specified bus label, such as Arial or Times New Roman. The bus is specified by x.

Group Bus

Syntax `BUS:B<x>:LABel:FONT:TYPE <QString>`
`BUS:B<x>:LABel:FONT:TYPE?`

Arguments B<x> is the number of the bus.
 <QString> is the specified font type. Available fonts include: DejaVu Sans, DejaVu Sans Mono, DejaVu Serif, Frutiger LT Std, Monospace, Sans Serif, Serif, Ubuntu, Ubuntu Condensed, and Ubuntu Mono.

Examples `BUS:B1:LABel:FONT:TYPE Monospace` selects a monospace font.
`BUS:B1:LABel:FONT:TYPE?` might return `:BUS:B1:LABel:FONT:TYPE "Frutiger LT Std 55 Roman"` indicating the font type is Frutiger LT Stdn.

BUS:B<x>:LABel:FONT:UNDERline

This command sets or queries the underline state of the specified bus label. The bus is specified by x.

Group Bus

Syntax `BUS:B<x>:LABel:FONT:UNDERline {ON|OFF|1|0}`
`BUS:B<x>:LABel:FONT:UNDERline?`

Arguments B<x> is the number of the bus.
 ON displays the label in underlined font.
 OFF does not display the label in underlined font.
 1 displays the label in underlined font.

0 does not display the label in underlined font.

Examples `BUS:B:LAbel:FONT:UNDERline ON` turns on underline font.
`BUS:B:LAbel:FONT:UNDERline?` might return
`:BUS:B1:LABEL:FONT:UNDERLINE 0` indicating underline is off.

BUS:B<x>:LABel:name

This command sets or queries the label for the specified bus. The bus is specified by x.

Group Bus

Syntax `BUS:B<x>:LABel:name <QString>`
`BUS:B<x>:LABel:name?`

Related Commands [BUS:B<x>:TYPe](#)

Arguments B<x> is the number of the bus.

<QString> is an alphanumeric string of text enclosed in quotes. The text string is limited to 30 characters. It contains the text label information for the bus.

Examples `BUS:B1:LABEL:NAME "TEST"` sets the waveform label for the bus B1 to Test.
`BUS:B1:LABEL:NAME?` might return `:BUS:B1:LABEL:NAME "BUS 1"`, indicating that the waveform label for the bus B1 is set to "Bus 1".

BUS:B<x>:LABel:XPOS

This command sets or queries the x-position of the specified bus label. The bus is specified by x.

Group Bus

Syntax `BUS:B<x>:LABel:XPOS <NR3>`
`BUS:B<x>:LABel:XPOS?`

Arguments B<x> is the number of the bus.
 <NR3> is the x-position, in pixels relative to the left edge of the screen of the specified bus label.

Examples BUS:B1:LABE1:XPOS 90 set the x position to 90.
 BUS:B1:LABE1:XPOS? might return :BUS:B1:LABEL:XPOS 45.0000 indicating the x position is 45.0 pixels to the right of the left edge of the display.

BUS:B<x>:LABE1:YPOS

This command sets or queries the y-position of the specified bus label. The bus is specified by x.

Group Bus

Syntax BUS:B<x>:LABE1:YPOS <NR3>
 BUS:B<x>:LABE1:YPOS?

Arguments B<x> is the number of the bus.
 <NR3> is the y-position, in pixels relative to the baseline of the waveform, of the specified bus label.

Examples BUS:B1:LABE1:YPOS 1.0e1 set the y position to 10.0.
 BUS:B1:LABE1:YPOS? might return :BUS:B1:LABEL:YPOS 0.0E+0 indicating the y position is 0.0 pixels from the baseline of the waveform.

BUS:B<x>:LIN:BITRate

This command sets or queries the LIN bus bit rate. The bus number is specified by x. If you select Custom, use [BUS:B<x>:LIN:BITRate:CUSTom](#) to set the bit rate.

Conditions Requires option SR-AUTO.

Group Bus

Syntax BUS:B<x>:LIN:BITRate
 {RATE10K | RATE1K | RATE19K | RATE2K | RATE4K | RATE9K | CUSTom}

`BUS:B<x>:LIN:BITRate?`

Related Commands [BUS:B<x>:LIN:BITRate:CUSTom](#)

Arguments `B<x>` is the number of the bus.
`RATE10K` sets the bit rate to 10 kb.
`RATE1K` sets the bit rate to 1 kb.
`RATE19K` sets the bit rate to 19 kb.
`RATE2K` sets the bit rate to 2 kb.
`RATE4K` sets the bit rate to 4 kb.
`RATE9K` sets the bit rate to 9 kb.
`CUSTom` sets a custom bit rate.

Examples `BUS:B1:LIN:BITRate Rate4k` sets the bit rate to 4 kb.
`BUS:B1:LIN:BITRate?` might return `:BUS:B1:LIN:BITRATE RATE19K`, indicating that the bit rate is set to 19 kb.

BUS:B<x>:LIN:BITRate:CUSTom

This command sets or queries LIN custom bit rate for the specified bus. The bus is specified by x.

Conditions Requires option SR-AUTO.

Group Bus

Syntax `BUS:B<x>:LIN:BITRate:CUSTom <NR1>`
`BUS:B<x>:LIN:BITRate:CUSTom?`

Related Commands [BUS:B<x>:LIN:BITRate](#)

Arguments `B<x>` is the number of the bus.
`<NR1>` is the LIN custom bit rate for the specified bus.

Examples `BUS:B1:LIN:BITRate:CUSTom 9000` sets the bit rate to 9,000.
`BUS:B1:LIN:BITRate:CUSTom?` might return
`:BUS:B1:LIN:BITRate:CUSTom 10000` indicating the bit rate is set to 10,000.

BUS:B<x>:LIN:IDFORmat

This command sets or queries LIN bus identifier format for the specified bus. The bus number is specified by x.

Conditions Requires option SR-AUTO.

Group Bus

Syntax `BUS:B<x>:LIN:IDFORmat {NOPARity|PARity}`
`BUS:B<x>:LIN:IDFORmat?`

Arguments B<x> is the number of the bus.
 NOPARity specifies an id format that includes parity.
 PARity specifies an id format that separates parity.

Examples `BUS:B1:LIN:IDFORmat PARITY` set the id format to parity.
`BUS:B1:LIN:IDFORmat?` might return `:BUS:B1:LIN:IDFORMAT NOPARITY`, indicating the id format is set to no parity.

BUS:B<x>:LIN:POLarity

This command sets or queries the LIN source polarity for the specified bus. The bus number is specified by x.

Conditions Requires option SR-AUTO.

Group Bus

Syntax `BUS:B<x>:LIN:POLarity {INVerted|NORMal}`
`BUS:B<x>:LIN:POLarity?`

Arguments **B<x>** is the number of the bus.
INVERTed specifies inverted polarity.
NORma1 specifies normal polarity.

Examples **BUS:B1:LIN:POLArity INVERTed** sets the polarity to inverted.
BUS:B1:LIN:POLArity? might return **:BUS:B1:LIN:POLARITY NORMAL**,
indicating the bus polarity is set to normal.

BUS:B<x>:LIN:SAMPLEpoint

Specifies the LIN sample point, for the specified LIN bus. The bus is specified by x.

Conditions Requires option SR-AUTO.

Group Bus

Syntax **BUS:B<x>:LIN:SAMPLEpoint <NR1>**
BUS:B<x>:LIN:SAMPLEpoint?

Arguments **B<x>** is the number of the bus.
<NR1> is a percentage that represents the point at which to sample during each bit period.

Examples **BUS:B1:LIN:SAMPLEPOINT 10** sets the sample point to 10% of the bit period
BUS:B1:LIN:SAMPLEPOINT? might return **BUS:B1:LIN:SAMPLEPOINT 50**
indicating that the sample point is set to 50% of the bit period

BUS:B<x>:LIN:SOURce

This command sets or queries the LIN data source for the specified bus. The bus number is specified by x.

Conditions Requires option SR-AUTO.

Group Bus

Syntax	<code>BUS:B<x>:LIN:SOURce</code> <code>{CH<x> CH<x>_D<x> MATH<x> REF<x> REF<x>_D<x>}</code> <code>BUS:B<x>:LIN:SOURce?</code>
Arguments	<code>B<x></code> is the number of the bus. <code>CH<x></code> specifies an analog channel to use source. <code>CH<x>_D<x></code> specifies a digital channel to use as the source. <code>MATH<x></code> specifies a math waveform to use as the source. <code>REF<x></code> specifies a reference waveform to use as the source. <code>REF<x>_D<x></code> specifies a digital reference waveform as the source.
Examples	<code>BUS:B1:LIN:SOURce MATH4</code> sets the source to MATH 4 <code>BUS:B1:LIN:SOURce?</code> might return <code>:BUS:B1:LIN:SOURCE CH1</code> , indicating the source is set to channel 1.

BUS:B<x>:LIN:SOURce:THReshold

This command sets or queries the LIN source threshold for the specified bus. The bus is specified by x.

Conditions	Requires option SR-AUTO.
Group	Bus
Syntax	<code>BUS:B<x>:LIN:SOURce:THReshoId <NR3></code> <code>BUS:B<x>:LIN:SOURce:THReshoId?</code>
Arguments	<code>B<x></code> is the number of the bus. <code><NR3></code> the LIN source threshold for the specified bus.
Examples	<code>BUS:B1:LIN:SOURce:THReshoId 50.0e-3</code> sets the threshold to 50 mV. <code>BUS:B1:LIN:SOURce:THReshoId?</code> might return <code>:BUS:B1:LIN:SOURCE:THRESHOLD 0.0E+0</code> indicating the threshold is 0.0 V.

BUS:B<x>:LIN:STANDARD

This command sets or queries the LIN bus standard for the specified bus. The bus number is specified by x.

Conditions Requires option SR-AUTO.

Group Bus

Syntax `BUS:B<x>:LIN:STANDARD {MIXed|V1X|V2X}`
`BUS:B<x>:LIN:STANDARD?`

Arguments B<x> is the number of the bus.
MIXed specifies both versions 1.x and 2.x of the LIN standard.
V1X specifies version 1.x of the LIN standard.
V2X specifies version 2.x of the LIN standard.

Examples `BUS:B1:LIN:STANDARD V1X` sets the standard to version 1.x.
`BUS:B1:LIN:STANDARD?` might return `:BUS:B1:LIN:STANDARD V2X`, indicating the standard is set to version 2.x for bus B1.

BUS:B<x>:MANCHESTER:BITORDER

This command sets or queries the Manchester bus Bit Order. The bus is specified by x.

Conditions Requires option SR-MANCH.

Group Bus

Syntax `BUS:B<x>:MANCHESTER:BITORDER {LSB|MSB}`
`BUS:B<x>:MANCHESTER:BITORDER?`

Related Commands [BUS:B<x>:MANCHESTER:DISPLAYMODE](#)

- Arguments** B<x> is the number of the bus.
 LSB arranges the bits in LSB format, least significant bits first.
 MSB arranges the bits in MSB format, most significant bits first.
- Examples** `BUS:B1:MANchester:BITORDER` LSB arranges the bits in LSB format for bus 1.
`BUS:B1:MANchester:BITORDER?` might return
`:BUS:B1:MANchester:BITORDER` MSB, indicating that bus 1 bits are arranged
 in MSB format.

BUS:B<x>:MANchester:BITRate

This command sets or queries the Manchester bus bit rate. The bus number is specified by x.

- Conditions** Requires option SR-MANCH.
- Group** Bus
- Syntax** `BUS:B<x>:MANchester:BITRate <NR1>`
`BUS:B<x>:MANchester:BITRate?`
- Arguments** B<x> is the number of the bus.
 <NR1> sets the bit rate up to 1 Gbps.
- Examples** `BUS:B1:MANchester:BITRate 125000` sets the bit rate to 125 kb.
`BUS:B1:MANchester:BITRate?` might return
`:BUS:B1:MANchester:BITRATE 19000`, indicating that the bit rate is set
 to 19 kb.

BUS:B<x>:MANchester:DISplaymode

This command sets or queries the Manchester bus Packet View. The bus number is specified by x.

- Conditions** Requires option SR-MANCH.
- Group** Bus

Syntax `BUS:B<x>:MANchester:DISplaymode {BITS|PACKET}`
`BUS:B<x>:MANchester:DISplaymode?`

Arguments `B<x>` is the number of the bus.

`BITS` sets the PacketView to off and the data to be seen as single bits formats.

`PACKET` sets the PacketView to on and the data to be seen in the form of fields.

Examples `BUS:B1:MANchester:DISplaymode PACKET` sets the PacketView to off and the data to be seen as single bits formats.

`BUS:B1:MANchester:DISplaymode?` might return
`:BUS:B1:MANchester:DISplaymode BITS`, indicating the PacketView is on and the data can be seen in the form of fields.

BUS:B<x>:MANchester:HEADer:LENGth

This command sets or queries the Manchester header length in bits. The bus number is specified by `x`.

Conditions Requires option SR-MANCH.

Group Bus

Syntax `BUS:B<x>:MANchester:HEADer:LENGth <NR1>`
`BUS:B<x>:MANchester:HEADer:LENGth?`

Related Commands [BUS:B<x>:MANchester:DISplaymode](#)

Arguments `B<x>` is the number of the bus.

`<NR1>` sets the header length in bits.

Examples `BUS:B1:MANchester:HEADer:LENGth 2` sets the header length to 2 bits.

`BUS:B1:MANchester:HEADer:LENGth?` might return
`:BUS:B1:MANchester:HEADer:LENGth 2`, indicating the header length is 2 bits.

BUS:B<x>:MANChester:IDLE:BITS

This command sets or queries the Manchester idle bit size in bits. The bus number is specified by x.

Conditions Requires option SR-MANCH.

Group Bus

Syntax BUS:B<x>:MANChester:IDLE:BITS <NR1>
BUS:B<x>:MANChester:IDLE:BITS?

Arguments B<x> is the number of the bus.
<NR1> sets the idle bit size.

Examples BUS:B1:MANChester:IDLE:BITS 2 sets the idle bit size to 2 bits.
BUS:B1:MANChester:IDLE:BITS? might return
:BUS:B1:MANChester:IDLE:BITS 2, indicating the idle bit size is 2 bits.

BUS:B<x>:MANChester:parity

This command sets or queries the Manchester bus Parity. The bus number is specified by x.

Conditions Requires option SR-MANCH.

Group Bus

Syntax BUS:B<x>:MANChester:parity {ODD|EVEN|NONE}
BUS:B<x>:MANChester:parity?

Related Commands [BUS:B<x>:MANChester:DISplaymode](#)

Arguments ODD sets the number of 1's to odd.
EVEN sets the number of 1's to even.
NONE specifies that Parity is not considered.

Examples `BUS:B1:MANchester:parity ODD` sets the number of 1's to odd.
`BUS:B1:MANchester:parity?` might return `:BUS:B1:MANchester:parity EVEN`, indicating the number of 1's are even.

BUS:B<x>:MANchester:SOURce

This command sets or queries the Manchester source for the specified bus. The bus is specified by x.

Conditions Requires option SR-MANCH.

Group Bus

Syntax `BUS:B<x>:MANchester:SOURce {CH<x>|MATH<x>|REF<x>}`
`BUS:B<x>:MANchester:SOURce?`

Related Commands [BUS:B<x>:MANchester:THReshold](#)

Arguments `B<x>` is the number of the bus.
`CH<x>` specifies an analog channel as the source.
`MATH<x>` specifies a math waveform as the source.
`REF<x>` specifies a reference waveform as the source.

Examples `BUS:B1:MANchester:SOURce CH1` sets the source to channel 5.
`BUS:B1:MANchester:SOURce?` might return `:BUS:B1:MANchester:SOURce CH5`, indicating the source is set to channel 5.

BUS:B<x>:MANchester:START:INDEX

This command sets or queries the Manchester start Index in bits. The bus is specified by x.

Conditions Requires option SR-MANCH.

Group Bus

Syntax `BUS:B<x>:MANChester:START:INDEX <NR1>`
 `BUS:B<x>:MANChester:START:INDEX?`

Arguments `B<x>` is the number of the bus.
 `<NR1>` sets the start Index in bits.

Examples `BUS:B1:MANChester:START:INDEX 2` sets the start Index to 2 bits.
 `BUS:B1:MANChester:START:INDEX?` might return
 `:BUS:B1:MANChester:START:INDEX 2`, indicating the start Index is 2 bits.

BUS:B<x>:MANChester:SYNC:SIZE

This command sets or queries the Manchester sync Bit Size in bits. The bus is specified by x.

Conditions Requires option SR-MANCH.

Group Bus

Syntax `BUS:B<x>:MANChester:SYNC:SIZE <NR1>`
 `BUS:B<x>:MANChester:SYNC:SIZE?`

Related Commands [BUS:B<x>:MANChester:DISplaymode](#)

Arguments `B<x>` is the number of the bus.
 `<NR1>` sets the Bit Size in bits.

Examples `BUS:B1:MANChester:SYNC:SIZE 2` sets the sync Bit Size to 2 bits.
 `BUS:B1:MANChester:SYNC:SIZE?` might return
 `:BUS:B1:MANChester:SYNC:SIZE 2`, indicating the sync Bit Size is 2 bits.

BUS:B<x>:MANChester:THReshold

This command sets or queries the Manchester threshold for the specified bus. The bus is specified by x.

Conditions Requires option SR-MANCH.

Group	Bus
Syntax	BUS:B<x>:MANChester:THResho1d <NR3> BUS:B<x>:MANChester:THResho1d?
Related Commands	BUS:B<x>:MANChester:SOUrce
Arguments	B<x> is the number of the bus. <NR3> sets the Manchester Strobe threshold for the specified bus in Volts. The argument range is -8V to +8V
Examples	BUS:B4:MANChester:THResho1d 1.0 sets the Bus 4 Manchester threshold to 1.0 V. BUS:B4:MANChester:THResho1d? might return :BUS:B4:MANChester:THResho1d 225.00000E-3, indicates the Bus 4 Manchester threshold is set to 225.0 mV.

BUS:B<x>:MANChester:TOLerance

This command sets or queries the Tolerance bus parameter. The bus is specified by x.

Conditions	Requires option SR-MANCH.
Group	Bus
Syntax	BUS:B<x>:MANChester:TOLerance <NR3> BUS:B<x>:MANChester:TOLerance?
Arguments	B<x> is the number of the bus. <NR3> sets the Tolerance bus parameter.
Examples	BUS:B1:MANChester:TOLerance 20 sets the Tolerance bus parameter to 20 for bus 1. BUS:B1:MANChester:TOLerance? might return :BUS:B1:MANChester:TOLerance 20, indicates the Tolerance bus parameter is 20 for bus 1.

BUS:B<x>:MANChester:TRAIler:LENGth

This command sets or queries the Manchester trailer length in bits. The bus is specified by x.

Conditions Requires option SR-MANCH.

Group Bus

Syntax BUS:B<x>:MANChester:TRAIler:LENGth <NR1>
BUS:B<x>:MANChester:TRAIler:LENGth?

Related Commands [BUS:B<x>:MANChester:DISplaymode](#)

Arguments B<x> is the number of the bus.
<NR1> sets the trailer length in bits.

Examples BUS:B1:MANChester:TRAIler:LENGth 2 sets the trailer length to 2 bits for bus 1.
BUS:B1:MANChester:TRAIler:LENGth? might return
:BUS:B1:MANChester:TRAIler:LENGth 2, indicates the trailer length is 2 bits for bus 1.

BUS:B<x>:MANChester:TRANstion:ZERo

This command sets or queries the Manchester bus for zero falling or rising. Manchester bit are defined by transition in the middle of the bit. Depending on the transition, conventions are defined. The bus is specified by x.

Conditions Requires option SR-MANCH.

Group Bus

Syntax BUS:B<x>:MANChester:TRANstion:ZERo {FALLing|RISing}
BUS:B<x>:MANChester:TRANstion:ZERo?

- Arguments** `B<x>` is the number of the bus.
 `FALLing` sets Falling as 0.
 `RISing` sets Rising as 0.
- Examples** `BUS:B1:MANchester:TRANstion:ZERO FALLing` sets Falling as 0 for bus 1.
 `BUS:B1:MANchester:TRANstion:ZERO?` might return
 `:BUS:B1:MANchester:TRANstion:ZERO RISing`, indicates that
 transition of 0 is Rising.

BUS:B<x>:MANchester:WORD:COUNT

This command sets or queries the Manchester word count in bits. The bus is specified by x.

- Conditions** Requires option SR-MANCH.
- Group** Bus
- Syntax** `BUS:B<x>:MANchester:WORD:COUNT <NR1>`
 `BUS:B<x>:MANchester:WORD:COUNT?`
- Related Commands** [BUS:B<x>:MANchester:DISplaymode](#)
- Arguments** `B<x>` is the number of the bus.
 `<NR1>` sets the word count in bits.
- Examples** `BUS:B1:MANchester:WORD:COUNT 2` sets the word count to 2 bits for bus 1.
 `BUS:B1:MANchester:WORD:COUNT?` might return
 `:BUS:B1:MANchester:WORD:COUNT 2`, indicates the word count is 2 bits
 for bus 1.

BUS:B<x>:MANchester:WORDSIZE

This command sets or queries the Manchester word size in bits. The bus is specified by x.

- Conditions** Requires option SR-MANCH.

Group	Bus
Syntax	BUS:B<x>:MANChester:WORDSIZE <NR1> BUS:B<x>:MANChester:WORDSIZE?
Related Commands	BUS:B<x>:MANChester:DISplaymode
Arguments	B<x> is the number of the bus. <NR1> sets the word size in bits.
Examples	BUS:B1:MANChester:WORDSIZE 12 sets the word size to 2 bits for bus 1. BUS:B1:MANChester:WORDSIZE? might return :BUS:B1:MANChester:WORDSIZE 12, indicates the word size is 2 bits for bus 1.

BUS:B<x>:MDIO:CLOCK:SOURce

This command sets or queries the MDIO Clock source for the specified bus. The bus is specified by x.

Conditions	Requires option SR-MDIO.
Group	Bus
Syntax	BUS:B<x>:MDIO:CLOCK:SOURce {CH<x> MATH<x> REF<x>} BUS:B<x>:MDIO:CLOCK:SOURce?
Arguments	B<x> is the number of the bus. CH<x> specifies an analog channel as the Clock source. MATH<x> specifies a math waveform as the Clock source. REF<x> specifies a reference waveform as the Clock source.
Examples	BUS:B1:MDIO:CLOCK:SOURce CH1 sets the channel to 1 to clock. BUS:B1:MDIO:CLOCK:SOURce? might return :BUS:B1:MDIO:CLOCK:SOURce CH1, indicating that channel 1 is set to clock.

BUS:B<x>:MDIO:CLOCK:THReshold

This command sets or queries the MDIO clock source threshold for the specified bus. The bus is specified by x.

Conditions Requires option SR-MDIO.

Group Bus

Syntax BUS:B<x>:MDIO:CLOCK:THReshold <NR3>
BUS:B<x>:MDIO:CLOCK:THReshold?

Arguments B<x> is the number of the bus.

<NR3> is the clock source threshold for the specified bus. The argument range is -8V to +8V.

Examples BUS:B1:MDIO:CLOCK:THReshold 0.0 sets the Bus 1 MDIO clock threshold to 0.0V.

BUS:B1:MDIO:CLOCK:THReshold? might return
:BUS:B2:MDIO:CLOCK:THReshold -8.0, indicating the Bus 1 MDIO clock threshold is set to -8.0V.

BUS:B<x>:MDIO:DATA:SOURce

This command sets or queries the data for the specified bus. The bus is specified by x.

Conditions Requires option SR-MDIO.

Group Bus

Syntax BUS:B<x>:MDIO:DATA:SOURce {CH<x>|MATH<x>|REF<x>}
BUS:B<x>:MDIO:DATA:SOURce?

Arguments B<x> is the number of the bus.

CH<x> specifies an analog channel as the data source.

MATH<x> specifies a math waveform as the data source.

REF<x> specifies a reference waveform as the data source.

Examples `BUS:B1:MDIO:DATA:SOURce CH2` sets the data source to channel 2.
`BUS:B1:MDIO:DATA:SOURce?` might return `:BUS:B1:MDIO:DATA:SOURce CH1`, indicating the data source is set to channel 1.

BUS:B<x>:MDIO:DATA:THReshold

This command sets or queries the MDIO Data source threshold for the specified bus. The bus is specified by x.

Conditions Requires option SR-MDIO.

Group Bus

Syntax `BUS:B<x>:MDIO:DATA:THReshold <NR3>`
`BUS:B<x>:MDIO:DATA:THReshold?`

Arguments B<x> is the number of the bus.
<NR3> is the data source threshold for the specified bus. The argument range is -8V to +8V.

Examples `BUS:B1:MDIO:DATA:THReshold 0.0` sets the Bus 1 MDIO data threshold to 0.0V.
`BUS:B1:MDIO:DATA:THReshold?` might return `:BUS:B2:MDIO:DATA:THReshold -8.0`, indicating the Bus 1 MDIO data threshold is set to -8.0V.

BUS:B<x>:MIL1553B:LOWTHRESHold

This command sets or queries the MIL-STD-1553 lower threshold for the specified bus. The bus is specified by x.

Conditions Requires option SR-AERO.

Group Bus

Syntax `BUS:B<x>:MIL1553B:LOWTHRESHo1d <NR3>`
`BUS:B<x>:MIL1553B:LOWTHRESHo1d?`

Related Commands [BUS:B<x>:MIL1553B:SOUrce](#)

Arguments `B<x>` is the number of the bus.
`<NR3>` is the MIL-STD-1553 lower threshold for the specified bus.

Examples `BUS:B3:MIL1553B:LOWTHRESHOLD -200e-3` sets the Bus 3 MIL-STD-1553 lower threshold to -200 mV.

`BUS:B2:MIL1553B:LOWTHRESHOLD?` might return
`:BUS:B2:MIL1553B:LOWTHRESHOLD -500.0000E-3` indicating the Bus 2 MIL-STD-1553 lower threshold is set to -500 mV.

BUS:B<x>:MIL1553B:POLarity

This command sets or queries the source polarity for the specified MIL-STD-1553 bus. The bus is specified by x.

Conditions Requires option SR-AERO.

Group Bus

Syntax `BUS:B<x>:MIL1553B:POLarity {NORMa1|INVERTed}`
`BUS:B<x>:MIL1553B:POLarity?`

Arguments `B<x>` is the number of the bus.
`NORMa1` specifies normal polarity.
`INVERTed` specifies inverted polarity.

Examples `BUS:B3:MIL1553B:POLARITY INVERTed` sets Bus 3 MIL-STD-1553 polarity to inverted.

`BUS:B2:MIL1553B:POLARITY?` might return `:BUS:B2:MIL1553B:POLARITY NORMAL`, indicating that the Bus 2 MIL-STD-1553 polarity is set to normal.

BUS:B<x>:MIL1553B:RESPonsetime:MAXimum

This command sets or queries the maximum response time to a valid command issued for the specified MIL-STD-1553 bus. The bus is specified by x.

Conditions Requires option SR-AERO.

Group Bus

Syntax `BUS:B<x>:MIL1553B:RESPonsetime:MAXimum <NR3>`
`BUS:B<x>:MIL1553B:RESPonsetime:MAXimum?`

Related Commands [BUS:B<x>:MIL1553B:RESPonsetime:MINimum](#)

Arguments B<x> is the number of the bus.
 <NR3> is a floating point number that specifies the maximum response time, in seconds.

Examples `BUS:B1:MIL1553B:RESPONSETIME:MAXIMUM 15.0E-6` specifies the maximum response time to a valid command received to be 15.0 microseconds.
`BUS:B1:MIL1553B:RESPONSETIME:MAXIMUM?` might return
`:BUS:B1:MIL1553B:RESPONSETIME:MAXIMUM 12.000E-6`, indicating a maximum response time of 12 microseconds.

BUS:B<x>:MIL1553B:RESPonsetime:MINimum

This command sets or queries the minimum response time to a valid command issued for the specified MIL-STD-1553 bus. The bus is specified by x.

Conditions Requires option SR-AERO.

Group Bus

Syntax `BUS:B<x>:MIL1553B:RESPonsetime:MINimum <NR3>`
`BUS:B<x>:MIL1553B:RESPonsetime:MINimum?`

Related Commands [BUS:B<x>:MIL1553B:RESPonsetime:MAXimum](#)

- Arguments** **B<x>** is the Bus number.
- <NR3>** is a floating point number that specifies the minimum response time, in seconds.
- Examples** **BUS:B1:MIL1553B:RESPONSETIME:MINIMUM 5.0E-6** specifies the minimum response time to a valid command received to be 5.0 microseconds.
- BUS:B1:MIL1553B:RESPONSETIME:MINIMUM?** might return **:BUS:B1:MIL1553B:RESPONSETIME:MINIMUM 4.000E-6**, indicating a minimum response time of 4 microseconds.

BUS:B<x>:MIL1553B:SOURce

This command sets or queries the source for the specified MIL-STD-1553 bus. The bus is specified by x.

- Conditions** Requires option SR-AERO.
- Group** Bus
- Syntax** **BUS:B<x>:MIL1553B:SOURce {CH<x>|MATH<x>|REF<x>}**
BUS:B<x>:MIL1553B:SOURce?
- Arguments** **B<x>** is the number of the bus.
- CH<x>** specifies an analog channel as the source waveform for the MIL-STD-1553 bus.
- MATH<x>** specifies a math waveform as the source waveform for the MIL-STD-1553 bus.
- REF<x>** specifies a reference waveform as the source waveform for the MIL-STD-1553 bus.
- Examples** **BUS:B1:MIL1553B:SOURce CH1** sets channel 1 as the source for the MIL-STD-1553 bus.
- BUS:B1:MIL1553B:SOURce?** might return **:BUS:B1:MIL1553B:SOURce MATH2** indicating that the source is set to MATH2.

BUS:B<x>:MIL1553B:THRESHold

This command sets or queries the MIL-STD-1553 upper threshold for the specified bus. The bus is specified by x.

Conditions Requires option SR-AERO.

Group Bus

Syntax `BUS:B<x>:MIL1553B:THRESHold <NR3>`
`BUS:B<x>:MIL1553B:THRESHold?`

Related Commands [BUS:B<x>:MIL1553B:SOUrce](#)

Arguments B<x> is the number of the bus.
 <NR3> is the MIL-STD-1553 upper threshold for the specified bus.

Examples `BUS:B3:MIL1553B:THRESHOLD 2.5` sets the Bus 3 MIL-STD-1553 upper threshold to 2.5 V.

`BUS:B2:MIL1553B:THRESHOLD?` might return
`:BUS:B2:MIL1553B:THRESHOLD 500.0000E-3` indicating the Bus 2 MIL-STD-1553 upper threshold is set to 500 mV.

BUS:B<x>:NFC:APPLYDEMod

This command sets or queries if the load modulation is applied on the response for the specified bus. The bus number is specified by <x>.

Conditions Requires option RFNFC.

Group Bus

Syntax `BUS:B<x>:NFC:APPLYDEMod {1|0}`
`BUS:B<x>:NFC:APPLYDEMod?`

Related Commands [CH<x>:SV:STATE](#)

Arguments 1 sets the demodulation application as true. This is the default value.
0 sets the demodulation application as false.

Examples `BUS:B1:NFC:APPLYDEMod 1` sets the demodulation application as true.
`BUS:B1:NFC:APPLYDEMod?` might return `:BUS:B1:NFC:APPLYDEMod 1`, indicating the demodulation is applied.

BUS:B<x>:NFC:BITRate

This command sets or queries the bit rate for the specified NFC bus on the response lane. The bus number is specified by <x>.

Conditions Requires option RFNFC.

Group Bus

Syntax `BUS:B<x>:NFC:BITRate <NR1>`
`BUS:B<x>:NFC:BITRate?`

Related Commands [CH<x>:SV:STATE](#)

Arguments `B<x>` is the number of the bus.
`<NR1>` sets the bit rate. The default bit rate value is 106000 bps. The minimum value is 1 and the maximum is 1000000000.

Examples `BUS:B1:NFC:BITRate 100` sets the bit rate to 100 bps.
`BUS:B1:NFC:BITRate?` might return `:BUS:B1:NFC:BITRATE 100`, indicating the bit rate is set to 100 bps.

BUS:B<x>:NFC:CMD:STARTINDEx

This command sets or queries the Manchester start index for NFC command signal type for the specified bus

Conditions Requires option RFNFC.

Group Bus

Syntax `BUS:B<x>:NFC:CMD:STARTINDEX <NR1>`
`BUS:B<x>:NFC:CMD:STARTINDEX?`

Related Commands [CH<x>:SV:STATE](#)

Arguments `B<x>` is the number of the bus.

`<NR1>` sets the Manchester start index. The default value is 1. The minimum value is 1 and the maximum is 8.

Examples `BUS:B1:NFC:CMD:STARTINDEX 2` sets the Manchester start index to 2.

`BUS:B1:NFC:CMD:STARTINDEX?` might return
`:BUS:B1:NFC:CMD:STARTINDEX 2`, indicating the Manchester start index is set to 2

BUS:B<x>:NFC:CMD:THReshold

This command sets or queries the command threshold for the specified NFC bus.

Conditions Requires option RFNFC.

Group Bus

Syntax `BUS:B<x>:NFC:CMD:THReshold <NR3>`
`BUS:B<x>:NFC:CMD:THReshold?`

Related Commands [CH<x>:SV:STATE](#)

Arguments `B<x>` is the number of the bus.

`<NR3>` sets the threshold. The default bit rate value is 1.0 V. The minimum value is -8.0 V and the maximum is 8.0 V.

Examples `BUS:B1:NFC:CMD:THReshold 0` sets the threshold to 0 V.

`BUS:B1:NFC:CMD:THReshold?` might return `:BUS:B1:NFC:CMD:THReshold 0`, indicating the threshold is set to 0 V.

BUS:B<x>:NFC:CMD:TRANSition:ZERo

This command sets or queries the Manchester type for NFC command signal type for the specified bus.

Conditions	Requires option RFNFC.
Group	Bus
Syntax	BUS:B<x>:NFC:CMD:TRANSition:ZERo {RISing FALLing} BUS:B<x>:NFC:CMD:TRANSition:ZERo?
Related Commands	CH<x>:SV:STATE
Arguments	B<x> is the number of the bus. RISing sets the Manchester type to G.E thomas. This is the default value. FALLing sets the Manchester type to IEEE.
Examples	BUS:B1:NFC:CMD:TRANSition:ZERo RISing sets the Manchester type to G.E thomas. BUS:B1:NFC:CMD:TRANSition:ZERo? might return :BUS:B1:NFC:CMD:TRANSition:ZERo RISing, indicating the Manchester type to G.E thomas.

BUS:B<x>:NFC:COMMAnd:POLArity

This command sets or queries the polarity for NFC Type B command signal type for the specified bus.

Conditions	Requires option RFNFC.
Group	Bus
Syntax	BUS:B<x>:NFC:COMMAnd:POLArity {NORMAl INVerted} BUS:B<x>:NFC:COMMAnd:POLArity?
Related Commands	CH<x>:SV:STATE

Arguments	B<x> is the number of the bus. NORMa1 sets the polarity of command to Normal. INVerted sets the polarity of command to Inverted.
Examples	BUS:B1:NFC:COMMANd:POLArity NORMa1 sets the polarity of command to Normal. BUS:B1:NFC:COMMANd:POLArity? might return :BUS:B1:NFC:COMMANd:POLArity NORMa1, indicating the polarity of command is normal.

BUS:B<x>:NFC:RESPonse:POLArity

This command sets or queries the polarity for NFC Type B response signal type for the specified bus.

Conditions	Requires option RFNFC.
Group	Bus
Syntax	BUS:B<x>:NFC:RESPonse:POLArity {NORMa1 INVerted} BUS:B<x>:NFC:RESPonse:POLArity?
Related Commands	CH<x>:SV:STATE

Arguments	B<x> is the number of the bus. NORMa1 sets the polarity of command to Normal. INVerted sets the polarity of command to Inverted.
Examples	BUS:B1:NFC:RESPonse:POLArity INVerted sets the polarity of response to Inverted. BUS:B1:NFC:RESPonse:POLArity? might return :BUS:B1:NFC:RESPonse:POLArity INVerted, indicating the polarity of response is inverted.

BUS:B<x>:NFC:RSP:THReshold

This command sets or queries the response threshold for the specified NFC bus.

Conditions	Requires option RFNFC.
Group	Bus
Syntax	BUS:B<x>:NFC:RSP:THResho1d <NR3> BUS:B<x>:NFC:RSP:THResho1d?
Related Commands	CH<x>:SV:STATE
Arguments	B<x> is the number of the bus. <NR3> sets the threshold. The default value is 1.0 V. The minimum value is -8.0 V and the maximum is 8.0 V.
Examples	BUS:B1:NFC:RSP:THResho1d 0 sets the threshold to 0 V. BUS:B1:NFC:RSP:THResho1d? might return :BUS:B1:NFC:RSP:THResho1d 0, indicating the threshold is set to 0 V.

BUS:B<x>:NFC:SOURce

This command sets or queries the source for the specified NFC bus.

Conditions	Requires option RFNFC.
Group	Bus
Syntax	BUS:B<x>:NFC:SOURce {CH<x>} BUS:B<x>:NFC:SOURce?
Related Commands	CH<x>:SV:STATE
Arguments	B<x> is the number of the bus. CH<x> specifies an analog channel as the source.
Examples	BUS:B1:NFC:SOURce CH5 sets the source to channel 5. BUS:B1:NFC:SOURce? might return :BUS:B1:NFC:SOURce CH5, indicating the source is set to channel 5.

BUS:B<x>:NFC:START:INDEX

This command sets or queries the start index for the specified NFC bus on the response lane.

Conditions Requires option RFNFC.

Group Bus

Syntax BUS:B<x>:NFC:START:INDEX <NR1>
BUS:B<x>:NFC:START:INDEX?

Related Commands [CH<x>:SV:STATE](#)

Arguments B<x> is the number of the bus.

<NR1> sets the index. The default value is 1. The minimum value is 1 and the maximum is 8.

Examples BUS:B1:NFC:START:INDEX 1 sets the index to 1.

BUS:B1:NFC:START:INDEX? might return :BUS:B1:NFC:START:INDEX 1, indicating the index is set to 1.

BUS:B<x>:NFC:STD

This command sets or queries the standard for the specified NFC bus.

Conditions Requires option RFNFC.

Group Bus

Syntax BUS:B<x>:NFC:STD {NFC15693| NFC14443A| NFC14443B| NFCFELiCa}
BUS:B<x>:NFC:STD?

Related Commands [CH<x>:SV:STATE](#)

Arguments B<x> is the number of the bus.

NFC15693 sets the standard to 15693.

NFC14443A sets the standard to 14443A.

NFC14443B sets the standard to 14443B.

NFCFELiCa sets the standard to Felica.

Examples `BUS:B1:NFC:STD NFC14443A` sets the standard to 14443A.
`BUS:B1:NFC:STD?` might return `:BUS:B1:NFC:STD NFC14443A`, indicating the standard is set to 14443A.

BUS:B<x>:NFC:TOLerance

This command sets or queries the tolerance for the specified NFC bus.

Conditions Requires option RFNFC.

Group Bus

Syntax `BUS:B<x>:NFC:TOLerance <NR3>`
`BUS:B<x>:NFC:TOLerance?`

Related Commands [CH<x>:SV:STATE](#)

Arguments `B<x>` is the number of the bus.
`<NR3>` sets the tolerance. The default tolerance value is 10%. The minimum value is 1% and the maximum is 50%.

Examples `BUS:B1:NFC:TOLerance 50` sets the tolerance to 50%.
`BUS:B1:NFC:TOLerance?` might return `:BUS:B1:NFC:TOLerance 50`, indicating the tolerance is set to 50%.

BUS:B<x>:NFC:TRANsition:ZERo

The command sets or queries the Manchester standard convention for the specified NFC bus on the response lane.

Conditions Requires option RFNFC.

Group	Bus
Syntax	<code>BUS:B<x>:NFC:TRANSITION:ZERO {ge ieee}</code> <code>BUS:B<x>:NFC:TRANSITION:ZERO?</code>
Related Commands	CH<x>:SV:STATE
Arguments	<code>B<x></code> is the number of the bus. <code>ge</code> sets the transition type to Manchester G.E thomas convention. <code>ieee</code> sets the transition type to Manchester IEEE convention.
Examples	<code>BUS:B1:NFC:TRANSITION:ZERO ge</code> sets the transition type to <code>ge</code> . <code>BUS:B1:NFC:TRANSITION:ZERO?</code> might return <code>:BUS:B1:NFC:TRANSITION:ZERO ge</code> , indicating the transition type is set to <code>ge</code> .

BUS:B<x>:NRZ:BITOrder

This command sets or queries the NRZ bit order for the specified bus. The bus is specified by `x`.

Conditions	Requires option SRNRZ.
Group	Bus
Syntax	<code>BUS:B<x>:NRZ:BITOrder {LSB MSB}</code> <code>BUS:B<x>:NRZ:BITOrder?</code>
Arguments	<code>B<x></code> is the number of the bus. <code>LSB</code> specifies that each bit becomes the recovered value's new LSB, after shifting previously recovered bits one place to the left. The decoding happens right to left. <code>MSB</code> specifies that each successive bit from the bus's data line becomes the new MSB of the recovered value, shifting any previously recovered bits one place to the right. The decoding happens left to right.

Examples `BUS:B1:NRZ:BITORDER LSB` sets each bit order for the NRZ bus B1 to LSB.
`BUS:B1:NRZ:BITORDER?` might return `:BUS:B1:NRZ:BITORDER MSB`, indicating that the bit order for the NRZ bus B1 is set to MSB.

BUS:B<x>:NRZ:BITRate

This command sets or queries the NRZ bus bit rate. The bus number is specified by <x>.

Conditions Requires option SRNRZ.

Group Bus

Syntax `BUS:B<x>:NRZ:BITRate <NR1>`
`BUS:B<x>:NRZ:BITRate?`

Arguments `B<x>` is the number of the bus.
`<NR1>` sets the bit rate up to 1 G.

Examples `BUS:B1:NRZ:BITRate 4000` sets the bit rate to 4 kb.
`BUS:B1:NRZ:BITRate?` might return `:BUS:B1:NRZ:BITRate 19000`, indicating that the bit rate is set to 19 kb.

BUS:B<x>:NRZ:POLarity

This command sets or queries the NRZ source polarity for the specified bus. The bus number is specified by x.

Conditions Requires option SRNRZ.

Group Bus

Syntax `BUS:B<x>:NRZ:POLarity {INVerted|NORma}`
`BUS:B<x>:NRZ:POLarity?`

Arguments	B<x> is the number of the bus. INVERTed specifies inverted polarity. NORMal specifies normal polarity.
Examples	BUS:B1:NRZ:POLarity INVERTed sets the polarity to inverted. BUS:B1:NRZ:POLarity? might return :BUS:B1:NRZ:POLARITY NORMAL, indicating the bus polarity is set to normal.

BUS:B<x>:NRZ:SOURce

This command sets or queries the NRZ source for the specified bus. This command specifies the source channel. The bus is specified by x.

Conditions	Requires option SRNRZ.
Group	Bus
Syntax	BUS:B<x>:NRZ:SOURce {CH<x> MATH<x> REF<x>} BUS:B<x>:NRZ:SOURce?

Related Commands [BUS:B<x>:NRZ:THReshold](#)

Arguments	B<x> is the number of the bus. CH<x> specifies an analog channel as the source. MATH<x> specifies a math waveform as the source. REF<x> specifies a digital reference waveform as the source.
Examples	BUS:B1:NRZ:SOURce Ch5 sets the source to channel 5. BUS:B1:NRZ:SOURce? might return :BUS:B1:NRZ:SOURce CH5, indicating the source is set to channel 5.

BUS:B<x>:NRZ:SPMI:VERsion

This command sets or queries the Version for the specified bus. The bus number is specified by x.

Conditions	Requires option SRPM.
Group	Bus
Syntax	<code>BUS:B<x>:NRZ:SPMI:VERsion v<x></code> <code>BUS:B<x>:NRZ:SPMI:VERsion?</code>
Arguments	<code>B<x></code> is the number of the bus. <code>v<x></code> specifies version the version number. Valid version are 1 or 2.
Examples	<code>BUS:B1:SPMI:VERsion v2</code> sets to version 2. <code>BUS:B1:SPMI:VERsion?</code> might return <code>:BUS:B1:SPMI:VERsion v2</code> , indicating version 2 is set.

BUS:B<x>:NRZ:THReshold

This command sets or queries the NRZ threshold for the specified bus. The bus number is specified by x.

Conditions	Requires option SRNRZ.
Group	Bus
Syntax	<code>BUS:B<x>:NRZ:THReshold <NR3></code> <code>BUS:B<x>:NRZ:THReshold?</code>
Related Commands	BUS:B<x>:NRZ:SOUrce
Arguments	<code>B<x></code> is the number of the bus. <code><NR3></code> is the NRZ Strobe threshold for the specified bus in volts. The valid range is -8 V to +8 V.
Examples	<code>BUS:B4:NRZ:THReshold 1.0</code> sets the Bus 4 NRZ threshold to 1.0 V. <code>BUS:B3:NRZ:THReshold?</code> might return <code>:BUS:B4:NRZ:THReshold 225.00000E-3</code> , indicating the Bus 3 NRZ threshold is set to 225.0 mV.

BUS:B<x>:ONEWIRE:DATA:SOUrce

This command sets or queries the ONEWIRE source for the specified bus. This command specifies the source channel. The bus is specified by x.

Conditions Requires option SR-ONEWIRE.

Group Bus

Syntax BUS:B<x>:ONEWIRE:DATA:SOUrce {CH<x>|MATH<x>|REF<x>}
BUS:B<x>:ONEWIRE:DATA:SOUrce?

Related Commands [BUS:B<x>:NRZ:THReshold](#)

Arguments B<x> is the number of the bus.
CH<x> specifies an analog channel as the source.
MATH<x> specifies a math waveform as the source.
REF<x> specifies a digital reference waveform as the source.

Examples BUS:B1:ONEWIRE:DATA:SOUrce Ch5 sets the source to channel 5.
BUS:B1:ONEWIRE:DATA:SOUrce? might return :ONEWIRE:DATA:SOUrce CH5, indicating the source is set to channel 5.

BUS:B<x>:ONEWIRE:DATA:THReshold

This command sets or queries the ONEWIRE data source threshold for the specified bus. The bus number is specified by x.

Conditions Requires option SR-ONEWIRE.

Group Bus

Syntax BUS:B<x>:ONEWIRE:DATA:THReshold <NR3>
BUS:B<x>:ONEWIRE:DATA:THReshold?

Related Commands [BUS:B<x>:NRZ:SOUrce](#)

Arguments	<p>B<x> is the number of the bus.</p> <p><NR3> is the ONEWIRE Strobe threshold for the specified bus in volts. The valid range is -8 V to +8 V. The default value is 1.25 V.</p>
Examples	<p>BUS:B4:ONEWIRE:DATA:THResho1d 1.0 sets the Bus 4 ONEWIRE threshold to 1.0 V.</p> <p>BUS:B3:ONEWIRE:DATA:THResho1d? might return :BUS:B4:ONEWIRE:DATA:THResho1d 225.00000E-3, indicating the Bus 3 ONEWIRE threshold is set to 225.0 mV.</p>

BUS:B<x>:ONEWIRE:MODE

This command sets or queries the mode for the specified ONEWIRE bus. The bus number is specified by x.

Conditions	Requires option SR-ONEWIRE.
Group	Bus
Syntax	BUS:B<x>:ONEWIRE:MODE {STANDARD OVERdrive} BUS:B<x>:ONEWIRE:MODE?
Arguments	<p>B<x> is the number of the bus.</p> <p>STANDARD specifies the mode as standard. Standard is the default mode whose value is 15.4 kbs.</p> <p>OVERdrive specifies the mode as overdrive.</p>
Examples	<p>BUS:B1:ONEWIRE:MODE OVERdrive sets the mode to 125 kbps.</p> <p>BUS:B1:ONEWIRE:MODE? might return :BUS:B1:ONEWIRE:MODE OVERdrive, indicating that the mode is 125 kbps.</p>

BUS:B<x>:PARAllel:ALLTHResholds

This command sets or queries a threshold value for sources for the parallel bus. Use the [BUS:B<x>:PARAllel:ALLTHResholds:APPLY](#) command to set the thresholds to this value. The bus is specified by x.

Group	Bus
Syntax	<code>BUS:B<x>:PARAllel:ALLTHResholds <NR3></code>
Related Commands	BUS:B<x>:PARAllel:ALLTHResholds:APPLY
Arguments	<p><code>B<x></code> is the number of the bus.</p> <p><code><NR3></code> is the source threshold.</p>
Examples	<p><code>BUS:B4:PARALLEL:ALLTHRESHOLDS 1.0</code> sets the threshold of all the sources in parallel Bus 4 to 1.0 V.</p> <p><code>BUS:B3:PARALLEL:ALLTHRESHOLDS?</code> might return <code>BUS:B3:PARALLEL:ALLTHRESHOLDS 500.00000E-3</code> indicates the threshold for all sources in parallel Bus 3 is currently set to 500.0 mV.</p>

BUS:B<x>:PARAllel:ALLTHResholds:APPLY (No Query Form)

This command sets all of the data source thresholds to the value set by [BUS:B<x>:PARAllel:ALLTHResholds](#) for the parallel bus. The bus is specified by x.

Group	Bus
Syntax	<code>BUS:B<x>:PARAllel:ALLTHResholds:APPLY</code>
Related Commands	BUS:B<x>:PARAllel:ALLTHResholds
Arguments	<code>B<x></code> is the Bus number.
Examples	<code>BUS:B1:PARAllel:ALLTHResholds:APPLY</code> sets all data source thresholds to the value set by BUS:B<x>:PARAllel:ALLTHResholds .

BUS:B<x>:PARAllel:BIT<x>SOURce

This command sets or queries the specified bit source for specified parallel bus.

Group	Bus
Syntax	<code>BUS:B<x>:PARAllel:BIT<x>SOUrce</code> {CH<x> CH<x>_D<x> MATH<x> REF<x> REF<x>_D<x> NONE}
Related Commands	BUS:B<x>:PARAllel:BIT<x>SOUrce:THReshold
Arguments	<p><code>B<x></code> is the number of the bus.</p> <p><code>BIT<x></code> is the number of the bit and is an integer in the range of 1 to 64.</p> <p><code>CH<x></code> is the specified bit source.</p> <p><code>CH<x>_D<x></code> is the specified bit source.</p> <p><code>MATH<x></code> is the specified bit source.</p> <p><code>REF<x></code> is the specified bit source.</p> <p><code>REF<x>_D<x></code> specifies a digital reference waveform as the bit<x> source waveform for the specified parallel bus.</p> <p><code>NONE</code> disables the bit source.</p>
Examples	<p><code>BUS:B1:PARAllel:BIT1SOUrce CH1</code> sets the bit 1 source to channel 1.</p> <p><code>BUS:B1:PARAllel:BIT1SOUrce?</code> might return :<code>BUS:B1:PARAllel:BIT1SOUrce CH1_D0</code> indicating the bit1 source is CH1_D0.</p>

BUS:B<x>:PARAllel:BIT<x>SOUrce:THReshold

This command sets or queries the specified bit source threshold for the specified parallel bus.

Group	Bus
Syntax	<code>BUS:B<x>:PARAllel:BIT<x>SOUrce:THReshold <NR3></code>
Related Commands	BUS:B<x>:PARAllel:BIT<x>SOUrce
Arguments	<p><code>B<x></code> is the number of the bus.</p> <p><code>BIT<x></code> is the number of the bit and is an integer in the range of 1 to 64.</p>

<NR3> is the specified bit source threshold for the specified parallel bus.

Examples `BUS:B3:PARALLEL:BIT2SOURCE:THRESHOLD 1.0` sets the threshold of bit source 2 of parallel Bus 3 to 1.0 V.

`BUS:B1:PARALLEL:BIT4SOURCE:THRESHOLD?` might return
`:BUS:B1:PARALLEL:BIT4SOURCE:THRESHOLD 250.00000E-3` indicates the threshold of bit source 4 of parallel Bus 1 is currently set to 250.0 mV.

BUS:B<x>:PARAllel:CLOCK:EDGE

This command sets or queries the clock edge for the parallel bus. The bus is specified by x.

Group Bus

Syntax `BUS:B<x>:PARAllel:CLOCK:EDGE {FALLING|RISING|EITHER}`
`BUS:B<x>:PARAllel:CLOCK:EDGE?`

Related Commands [BUS:B<x>:PARAllel:CLOCKSOURCE](#)

Arguments B<x> is the number of the bus.

FALLING decodes on the falling edge of the clocked parallel bus signal.

RISING decodes on the rising edge of the clocked parallel bus signal.

EITHER decodes on the rising or falling edge of the clocked parallel bus signal.

Examples `BUS:B1:PARALLEL:CLOCK:EDGE FALLING` sets the decoding to happen on the falling edge of its clocked parallel bus B1.

`BUS:B1:PARALLEL:CLOCK:EDGE?` might return
`:BUS:B1:PARALLEL:CLOCK:EDGE RISING`, indicating that when bus B1 operates in Clocked Parallel mode, it samples new data values on the rising edge of its clock source signal.

BUS:B<x>:PARAllel:CLOCK:ISCLOCKED

This command determines whether the bus operates in a clocked or asynchronous fashion. The bus is specified by x.

Group	Bus
Syntax	<code>BUS:B<x>:PARAllel:CLOCK:ISCLOCKED {OFF ON <NR1>}</code> <code>BUS:B<x>:PARAllel:CLOCK:ISCLOCKED?</code>
Arguments	<p>B<x> is the number of the bus.</p> <p>OFF argument specifies an asynchronous bus.</p> <p>ON argument specifies a clocked bus.</p> <p><NR1> = 0 specifies an asynchronous bus; any other value specifies a clocked bus.</p>
Examples	<p><code>BUS:B1:PARAllel:CLOCK:ISCLOCKED 0</code> sets the bus to operate asynchronously.</p> <p><code>BUS:B1:PARAllel:CLOCK:ISCLOCKED?</code> might return <code>:BUS:B1:PARALLEL:CLOCK:ISCLOCKED 1</code> indicating the bus is clocked.</p>

BUS:B<x>:PARAllel:CLOCKSource

This command sets or queries the Parallel clock bit source for the specified bus. The bus is specified by x.

Group	Bus
Syntax	<code>BUS:B<x>:PARAllel:CLOCKSource</code> <code>{CH<x> CH<x>_D<x> MATH<x> REF<x> REF<x>_D<x> NONE}</code> <code>BUS:B<x>:PARAllel:CLOCKSource?</code>
Related Commands	BUS:B<x>:PARAllel:CLOCK:ISCLOCKED
Arguments	<p>B<x> is the number of the bus.</p> <p>CH<x> specifies an analog FlexChannel to use as the bus clock source.</p> <p>CH<x>_D<x> specifies a digital channel on a specified FlexChannel to use as the bus clock source.</p> <p>MATH<x> specifies the math channel to use as the bus clock source.</p> <p>REF<x> specifies the reference channel to use as the bus clock source.</p>

REF<x>_D<x> specifies a digital reference waveform as the clock source waveform for the specified parallel bus.

NONE specifies the reference channel to use as the bus clock source.

Examples `BUS:B1:PARALLEL:CLOCKSOURCE CH3_D6` sets the Parallel clock source for the bus B1 to D6 of FlexChannel 3.

`BUS:B1:PARALLEL:CLOCKSOURCE?` might return
`:BUS:B1:PARALLEL:CLOCKSOURCE CH8_D9`, indicating that the Parallel clock source for the bus B1 is set to D9 of FlexChannel 8.

BUS:B<x>:PARALLEL:CLOCKSOURCE:THRESHOLD

This command sets or queries the clock source threshold for the parallel bus. The bus is specified by x.

Group Bus

Syntax `BUS:B<x>:PARALLEL:CLOCKSOURCE:THRESHOLD <NR3>`
`BUS:B<x>:PARALLEL:CLOCKSOURCE:THRESHOLD?`

Related Commands [BUS:B<x>:PARALLEL:CLOCK:ISCLOCKED](#)

Arguments B<x> is the Bus number.
<NR3> is the clock bit source threshold for the parallel bus.

Examples `BUS:B4:PARALLEL:CLOCKSOURCE:THRESHOLD 1.5` sets the threshold of the clock source of parallel Bus 4 to 1.5 V.

`BUS:B3:PARALLEL:CLOCKSOURCE:THRESHOLD?` might return
`:BUS:B3:PARALLEL:CLOCKSOURCE:THRESHOLD 750.00000E-3` indicates the threshold of the clock source of parallel Bus 3 is currently set to 750.0 mV.

BUS:B<x>:PSIFIVE:BITPERIOD

This command sets or queries the PSI5 Bit period bus parameter.

Conditions Requires option SR-PSI5

Group	Bus
Syntax	BUS:B<x>:PSIFIVE:BITPERiod <NR1> BUS:B<x>:PSIFIVE:BITPERiod?
Arguments	B<x> is the number of the bus. <NR1> specifies the bit period. The default bit period is 60 Micro seconds.
Examples	BUS:B1:PSIFIVE:BITPERiod 0.000060 sets the bit period to 60 µs. BUS:B1:PSIFIVE:BITPERiod? might return :BUS:B1:PSIFIVE:BITPERiod 0.000120, indicating that the bit rate is set to 120 µs.

BUS:B<x>:PSIFIVE:BITRate

This command sets or queries the PSI5 bitrate.

Conditions	Requires option SR-PSI5
Group	Bus
Syntax	BUS:B<x>:PSIFIVE:BITRate {RATE125K RATE189K RATE83K} BUS:B<x>:PSIFIVE:BITRate?
Arguments	B<x> is the number of the bus. RATE125K sets the bit rate to 125 kb. RATE189K sets the bit rate to 189 kb. RATE83K sets the bit rate to 83 kb.
Examples	BUS:B1:PSIFIVE:BITRate RATE125k sets the bit rate to 125 kb. BUS:B1:PSIFIVE:BITRate? might return :BUS:B1:PSIFIVE:BITRATE RATE189K, indicating that the bit rate is set to 189 kb.

BUS:B<x>:PSIFIVE:COMM:DIRection

This command sets or queries the PSI5 bus communication direction. Communication direction by default is set to Sensor to ECU.

Conditions	Requires option SR-PSI5
Group	Bus
Syntax	<code>BUS:B<x>:PSIFIVE:COMM:DIRection {SENSORECU ECUSENSor}</code> <code>BUS:B<x>:PSIFIVE:COMM:DIRection?</code>
Arguments	<code>B<x></code> is the number of the bus. SENSORECU specifies the communication direction to Sensor to ECU. This is the default value. ECUSENSor specifies the communication direction to ECU to Sensor.
Examples	<code>BUS:B1:PSIFIVE:COMM:DIRection SENSORECU</code> sets the communication direction to Sensor to ECU. <code>BUS:B1:PSIFIVE:COMM:DIRection?</code> might return <code>:BUS:B1:PSIFIVE:COMM:DIRection ECUSENSor</code> , indicating that the communication direction is ECU to Sensor .

BUS:B<x>:PSIFIVE:DATAA

This command sets or queries the PSI5 frame mandatory data region A.

Conditions	Requires option SR-PSI5
Group	Bus
Syntax	<code>BUS:B<x>:PSIFIVE:DATAA <NR1></code> <code>BUS:B<x>:PSIFIVE:DATAA?</code>
Arguments	<code>B<x></code> is the number of the bus. <NR1> specifies the dataA value in bits. The default dataA value is 10 bits, otherwise it ranges between 10 to 24 bits.
Examples	<code>BUS:B1:PSIFIVE:DATAA 17</code> sets the dataA as 17 bits. <code>BUS:B1:PSIFIVE:DATAA?</code> might return <code>:BUS:B1:PSIFIVE:DATAA 10</code> , indicating that the dataA is 10 bits.

BUS:B<x>:PSIFIVE:DATAB

This command sets or queries the PSI5 frame optional bits of data region B.

Conditions	Requires option SR-PSI5
Group	Bus
Syntax	BUS:B<x>:PSIFIVE:DATAB <NR1> BUS:B<x>:PSIFIVE:DATAB?
Arguments	B<x> is the number of the bus. <NR1> specifies the dataA value in bits. The default dataB value is 0 bits, otherwise it ranges between 0 to 12 bits.
Examples	BUS:B1:PSIFIVE:DATAB 7 sets the dataB as 7 bits. BUS:B1:PSIFIVE:DATAB? might return :BUS:B1:PSIFIVE:DATAB 0, indicating that the dataB is 0 bits.

BUS:B<x>:PSIFIVE:DATAFORMat

This command sets or queries the data format in PSI5 Frame2 packet.

Conditions	Requires option SR-PSI5
Group	Bus
Syntax	BUS:B<x>:PSIFIVE:DATAFORMat {NIBBLE BYTE} BUS:B<x>:PSIFIVE:DATAFORMat?
Arguments	B<x> is the number of the bus. NIBBLE specifies the data format as Nibble. BYTE specifies the data format as Byte.

Examples `BUS:B1:PSIFIVE:DATAFORMAT NIBBLE` sets the data format to Nibble.
`BUS:B1:PSIFIVE:DATAFORMAT?` might return
`:BUS:B1:PSIFIVE:DATAFORMAT BYTE`, indicating that the data format is Byte.

BUS:B<x>:PSIFIVE:ECUSOURce

This command sets or queries the ECU to sensor source channel for the specified Bus.

Conditions Requires option SR-PSI5

Group Bus

Syntax `BUS:B<x>:PSIFIVE:ECUSOURce {CH<x>|MATH<x>|REF<x>}`
`BUS:B<x>:PSIFIVE:ECUSOURce?`

Arguments `B<x>` is the number of the bus.
`CH<x>` specifies an analog channel as the source.
`MATH<x>` specifies a math waveform as the source.
`REF<x>` specifies a digital reference waveform as the source.

Examples `BUS:B1:PSIFIVE:ECUSOURce CH5` sets the source to channel 5.
`BUS:B1:PSIFIVE:ECUSOURce?` might return `:BUS:B1:PSIFIVE:ECUSOURce CH5`, indicating the source is set to channel 5.

BUS:B<x>:PSIFIVE:FRAMECONTRol

This command sets or queries the PSI5 frame optional control bits.

Conditions Requires option SR-PSI5

Group Bus

Syntax `BUS:B<x>:PSIFIVE:FRAMECONTRol <NR1>`
`BUS:B<x>:PSIFIVE:FRAMECONTRol?`

Arguments **B<x>** is the number of the bus.
<NR1> specifies the frame control value in bits. The default frame control value is 0 bits, otherwise it ranges between 0 to 4 bits.

Examples **BUS:B1:PSIFIVE:FRAMECONTROL 2** sets the frame control as 2 bits.
BUS:B1:PSIFIVE:FRAMECONTROL? might return
:BUS:B1:PSIFIVE:FRAMECONTROL 3, indicating that the frame control is 3 bits.

BUS:B<x>:PSIFIVE:MESSAGING

This command sets or queries the PSI5 optional messaging bits.

Conditions Requires option SR-PSI5

Group Bus

Syntax **BUS:B<x>:PSIFIVE:MESSAGING {OFF|ON}**
BUS:B<x>:PSIFIVE:MESSAGING?

Arguments **B<x>** is the number of the bus.
OFF specifies the messaging bits as the default value of 0.
ON specifies the messaging bits as 2.

Examples **BUS:B1:PSIFIVE:MESSAGING OFF** sets the messaging bits as 0.
BUS:B1:PSIFIVE:MESSAGING? might return **:BUS:B1:PSIFIVE:MESSAGING ON**, indicating that the messaging bits are 2.

BUS:B<x>:PSIFIVE:SOURCE

This command sets or queries serial channel on or off.

Conditions Requires option SR-PSI5

Group Bus

Syntax	<code>BUS:B<x>:PSIFIVE:SOURCE {CH<x> MATH<x> REF<x>}</code> <code>BUS:B<x>:PSIFIVE:SOURCE?</code>
Arguments	<code>B<x></code> is the number of the bus. <code>CH<x></code> specifies an analog channel as the source. <code>MATH<x></code> specifies a math waveform as the source. <code>REF<x></code> specifies a digital reference waveform as the source.
Examples	<code>BUS:B1:PSIFIVE:SOURCE CH5</code> sets the source to channel 5. <code>BUS:B1:PSIFIVE:SOURCE?</code> might return <code>:BUS:B1:PSIFIVE:SOURCE CH5</code> , indicating the source is set to channel 5.

BUS:B<x>:PSIFIVE:STATUs

This command sets or queries the optional status bits of PSI5.

Conditions	Requires option SR-PSI5
Group	Bus
Syntax	<code>BUS:B<x>:PSIFIVE:STATUs <NR1></code> <code>BUS:B<x>:PSIFIVE:STATUs?</code>
Arguments	<code>B<x></code> is the number of the bus. <code><NR1></code> specifies the status value in bits. The default status value is 0 bits, otherwise it ranges between 0 to 2 bits.
Examples	<code>BUS:B1:PSIFIVE:STATUs 2</code> sets the status as 2 bits. <code>BUS:B1:PSIFIVE:STATUs?</code> might return <code>:BUS:B1:PSIFIVE:STATUs 0</code> , indicating that the status is 0 bits.

BUS:B<x>:PSIFIVE:SYNcMODE

This command sets or queries the PSI5 Sync Mode.

Conditions	Requires option SR-PSI5
-------------------	-------------------------

Group	Bus
Syntax	<code>BUS:B<x>:PSIFIVE:SYNCMODE {PULSEWIDTH TOOTHGAP}</code> <code>BUS:B<x>:PSIFIVE:SYNCMODE?</code>
Arguments	<code>B<x></code> is the number of the bus. <code>PULSEWIDTH</code> specifies the Sync Mode as Pulse Width. <code>TOOTHGAP</code> specifies the Sync Mode as Tooth Gap.
Examples	<code>BUS:B1:PSIFIVE:SYNCMODE PULSEWIDTH</code> sets the Sync Mode to Pulse Width. <code>BUS:B1:PSIFIVE:SYNCMODE?</code> might return <code>:BUS:B1:PSIFIVE:SYNCMODE TOOTHGAP</code> , indicating that the Sync Mode is Tooth Gap.

BUS:B<x>:PSIFIVE:SYNCTHRESHold

This command sets or queries the PSI5 threshold for the ECU To Sensor specified bus.

Conditions	Requires option SR-PSI5
Group	Bus
Syntax	<code>BUS:B<x>:PSIFIVE:SYNCTHRESHold <NR3></code> <code>BUS:B<x>:PSIFIVE:SYNCTHRESHold?</code>
Arguments	<code>B<x></code> is the number of the bus. <code><NR3></code> specifies the PSI5 Strobe threshold for the specified bus. The threshold range is -8 V to +8 V.
Examples	<code>BUS:B1:PSIFIVE:SYNCTHRESHold 1.0</code> sets the bus 4 PSI5 threshold to 1.0 V. <code>BUS:B1:PSIFIVE:SYNCTHRESHold?</code> might return <code>:BUS:B1:PSIFIVE:SYNCTHRESHold 225.00000E-3</code> , indicating the bus 3 PSIFIVE threshold is set to 225.0 mV.

BUS:B<x>:PSIFIVE:THRESHold

This command sets or queries the PSI5 threshold for the Sensor To ECU specified bus.

Conditions Requires option SR-PSI5

Group Bus

Syntax BUS:B<x>:PSIFIVE:THRESHold <NR3>
BUS:B<x>:PSIFIVE:THRESHold?

Arguments B<x> is the number of the bus.

<NR3> specifies the PSI5 Strobe threshold for the specified bus. The threshold range is -8 V to +8 V.

Examples BUS:B1:PSIFIVE:THRESHold 1.0 sets the bus 4 PSI5 threshold to 1.0 V.

BUS:B1:PSIFIVE:THRESHold? might return :BUS:B1:PSIFIVE:THRESHold 225.00000E-3, indicating the bus 4 PSI5 threshold is set to 225.0 mV.

BUS:B<x>:RS232C:BITORDER

This command sets or queries the bit order for the specified RS-232 bus.

Conditions Requires option SR-COMP.

Group Bus

Syntax BUS:B<x>:RS232C:BITORDER {LSB|MSB}
BUS:B<x>:RS232C:BITORDER?

Arguments B<x> is the number of the bus.

LSB sets the bit order to LSB. This is the default value.

MSB sets the bit order to MSB.

Examples `BUS:B1:RS232C:BITORDER` LSB sets the bit order to LSB.
`BUS:B1:RS232C:BITORDER?` might return `:BUS:B1:RS232C:BITORDER`
LSB, indicating the decode is from LSB to MSB.

BUS:B<x>:RS232C:BITRate

This command sets or queries the RS-232C bit rate for bus<x>, where the bus number is specified by x. If you select Custom, use [BUS:B<x>:RS232C:BITRate:CUSTom](#) to set the bit rate.

Conditions Requires option SR-COMP.

Group Bus

Syntax `BUS:B<x>:RS232C:BITRate`
 {`CUSTOM`|`RATE300`|`RATE1K`|`RATE2K`|`RATE9K`|
 `RATE19K`|`RATE38K`|`RATE115K`|`RATE921K`}
`BUS:B<x>:RS232C:BITRate?`

Arguments `B<x>` is the number of the bus.

`CUSTOM` sets a custom bit rate.

`RATE300` sets the bit rate to 300 bits-per-second
`RATE1K` sets the bit rate to 1000 bits-per-second
`RATE2K` sets the bit rate to 2000 bits-per-second
`RATE9K` sets the bit rate to 9000 bits-per-second
`RATE19K` sets the bit rate to 19000 bits-per-second
`RATE38K` sets the bit rate to 38000 bits-per-second
`RATE115K` sets the bit rate to 115000 bits-per-second
`RATE921K` sets the bit rate to 921000 bits-per-second

Examples `BUS:B1:RS232C:BITRATE RATE9K` sets the bit rate for the RS-232C bus B1 to 9000 bits-per-second.

`BUS:B1:RS232C:BITRATE?` might return `:BUS:B1:RS232C:BITRATE 9000`, indicating that the bit rate for the RS-232C bus B1 is set to 9000 bits-per-second.

BUS:B<x>:RS232C:BITRate:CUSTom

This command sets or queries the RS-232C custom bit rate for the specified bus. The bus is specified by x.

Conditions Requires option SR-COMP.

Group Bus

Syntax BUS:B<x>:RS232C:BITRate:CUSTom <NR1>
BUS:B<x>:RS232C:BITRate:CUSTom?

Related Commands [BUS:B<x>:RS232C:BITRate](#)

Arguments B<x> is the number of the bus.

<NR1> is the custom bit rate.

Examples BUS:B1:RS232C:BITRATE:CUSTOM 9500 sets the bit rate for the RS-232C bus B1 to 9500 bits-per-second.

BUS:B1:RS232C:BITRATE:CUSTOM? might return
:BUS:B1:RS232C:BITRATE:CUSTOM 9500, indicating that the bit rate for the RS-232C bus B1 is set to 9500 bits-per-second.

BUS:B<x>:RS232C:DATABits

This command sets or queries the RS-232C data width for bus<x>, where the bus number is specified by x.

Conditions Requires option SR-COMP.

Group Bus

Syntax BUS:B<x>:RS232C:DATABits {7|8|9}
BUS:B<x>:RS232C:DATABits?

Arguments B<x> is the number of the bus.

7 specifies the number of bits as 7 in the RS-232C data frame.

8 specifies the number of bits as 8 in the RS-232C data frame.

9 specifies the number of bits as 9 in the RS-232C data frame.

Examples `BUS:B1:RS232C:DATABITS 8` sets the data bits to 8 for the RS-232C bus B1.
`BUS:B5:RS232C:DATABITS?` might return `:BUS:B1:RS232C:DATABITS 7`, indicating that the data bits is set to 7 for the RS-232C bus B5.

BUS:B<x>:RS232C:DELIMiter

This command sets or queries the RS-232C string delimiter on bus <x>, where the bus number is specified by x. This command only applies when Packet view is turned On.

Conditions Requires option SR-COMP.

Group Bus

Syntax `BUS:B<x>:RS232C:DELIMiter {NUL|CR|LF|SPace|XFF}`
`BUS:B<x>:RS232C:DELIMiter?`

Related Commands [BUS:B<x>:RS232C:DISplaymode](#)

Arguments B<x> is the number of the bus.
 NUL specifies NULL (0x00) delimiting value for a packet.
 CR specifies CR (0x0D) delimiting value for a packet.
 LF specifies LF (0x0A) delimiting value for a packet.
 XFF specifies XFF (0xFF) delimiting value for a packet.
 SPace specifies SPace delimiting value for a packet.

Examples `BUS:B1:RS232C:DELIMITER LF` sets the delimiter to 0x0A for the RS-232C bus B1.
`BUS:B1:RS232C:DELIMITER?` might return `:BUS:B1:RS232C:DELIMITER NULL`, indicating that the delimiter to 0x00 for the RS-232C bus B1.

BUS:B<x>:RS232C:DISplaymode

This command sets or queries the RS-232C display mode for the specified bus. The bus is specified by x.

Conditions Requires option SR-COMP.

Group Bus

Syntax BUS:B<x>:RS232C:DISplaymode {FRAME|PACKET}
BUS:B<x>:RS232C:DISplaymode?

Related Commands [BUS:B<x>:RS232C:DELIMiter](#)

Arguments B<x> is the number of the bus.

FRAME displays each frame as a single entity.

PACKET displays a group of frames terminated with a single frame defined by the BUS:B<x>:RS232C:DELIMiter command.

Examples BUS:B1:RS232C:DISPLAYMODE FRAME sets the display mode for the RS-232C bus B1 to Frame.

BUS:B1:RS232C:DISPLAYMODE? might return
:BUS:B1:RS232C:DISPLAYMODE PACKET, indicating that the display mode for the RS-232C bus B1 is set to Packet.

BUS:B<x>:RS232C:PARity

This command sets or queries the RS-232C parity for bus <x>, where the bus number is specified by x.

Conditions Requires option SR-COMP.

Group Bus

Syntax BUS:B<x>:RS232C:PARity {NONE|EVEN|ODD}
BUS:B<x>:RS232C:PARity?

- Arguments** B<x> is the number of the bus.
NONE specifies no parity.
EVEN specifies even parity.
ODD specifies odd parity.
- Examples** BUS:B1:RS232C:PARITY ODD sets the parity for the RS-232C bus B1 to odd.
BUS:B1:RS232C:PARITY? might return :BUS:B1:RS232C:PARITY NONE, indicating that the display mode for the RS-232C bus B1 is set to none.

BUS:B<x>:RS232C:POLarity

This command sets or queries the RS-232C source polarity for bus <x>, where the bus number is specified by x.

- Conditions** Requires option SR-COMP.
- Group** Bus
- Syntax** BUS:B<x>:RS232C:POLarity {NORma|INVERTed}
BUS:B<x>:RS232C:POLarity?
- Arguments** B<x> is the number of the bus.
NORma| sets the RS-232C bus polarity to positive.
INVERTed sets the RS-232C bus polarity to negative.
- Examples** BUS:B1:RS232C:POLARITY INVERTed sets the polarity for the RS-232C bus B1 to Inverted.
BUS:B1:RS232C:POLARITY? might return :BUS:B1:RS232C:POLARITY NORMAL, indicating that the polarity for the RS-232C bus B1 is set to Normal.

BUS:B<x>:RS232C:SOUrce

This command sets or queries the RS-232C source for bus <x>, where the bus number is specified by x.

- Conditions** Requires option SR-COMP.

Group	Bus
Syntax	<code>BUS:B<x>:RS232C:SOURce</code> <code>{CH<x> CH<x>_D<x> REF<x> MATH<x> REF<x>_D<x>}</code> <code>BUS:B<x>:RS232C:SOURce?</code>
Arguments	<code>B<x></code> is the number of the bus. <code>CH<x></code> specifies an analog channel to use as the RS-232C source. <code>CH<x>_D<x></code> specifies a digital channel of a specified FlexChannel to use for the RS-232C source. <code>MATH<x></code> specifies a math channel to use for the RS-232C source. <code>REF<x></code> specifies a reference channel to use for the RS-232C source. <code>REF<x>_D<x></code> specifies a digital reference waveform as the source waveform for the specified RS-232C bus.
Examples	<code>BUS:B1:RS232C:SOURCE CH1_D0</code> sets the source for the RS-232C bus B1 to D0 of FlexChannel 1. <code>BUS:B1:RS232C:SOURCE?</code> might return <code>:BUS:B1:RS232C:SOURCE CH1</code> , indicating that the source for the RS-232C bus B1 is CH1.

BUS:B<x>:RS232C:SOURce:THReshold

This command sets or queries the RS-232C source threshold for the specified bus. The bus is specified by `x`.

Conditions	Requires option SR-COMP.
Group	Bus
Syntax	<code>BUS:B<x>:RS232C:SOURce:THReshold <NR3></code> <code>BUS:B<x>:RS232C:SOURce:THReshold?</code>
Arguments	<code>B<x></code> is the number of the bus. <code><NR3></code> is the RS-232C source threshold for the specified bus.

Examples `BUS:B1:RS232C:SOURCE:THRESHOLD 50.0e-3` sets the threshold to 50 mV.
`BUS:B1:RS232C:SOURCE:THRESHOLD?` might return
`:BUS:B1:RS232C:SOURCE:THRESHOLD 0.0E+0` indicating the threshold
is set to 0.0 V.

BUS:B<x>:S8B10B:BITRate

This command sets or queries the 8B10b bit rate for the specified bus, where the bus is specified by x.

Conditions Requires option SR8B10b.

Group Bus

Syntax `BUS:B<x>:S8B10B:BITRate`
`BUS:B<x>:S8B10B:BITRate?`

Arguments `B<x>` is the number of the bus.
Arguments are the available bit rates up to 1 Tbps.

Examples `BUS:B1:S8B10B:BITRate 4000` sets the bit rate to 4 kb.
`BUS:B1:S8B10B:BITRate?` might return `:BUS:B1:S8B10B:BITRATE 19000`,
which indicates that the bit rate is set to 19 kb.

BUS:B<x>:S8B10B:SOUrce

This command sets or queries the 8B10b source for the specified bus, where the bus is specified by x. This command specifies the source channel.

Conditions Requires option SR8B10b.

Group Bus

Syntax `BUS:B<x>:S8B10B:SOUrce {CH<x>|MATH<x>|REF<x>}`
`BUS:B<x>:S8B10B:SOUrce?`

Related Commands [BUS:B<x>:S8B10B:THReshold](#)

Arguments B<x> is the number of the bus.
 CH<x> specifies an analog channel as the source.
 MATH<x> specifies a math waveform as the source.
 REF<x> specifies a digital reference waveform as the source.

Examples BUS:B1:S8B10B:SOURce Ch5 sets the source to channel 5.
 BUS:B1:S8B10B:SOURce? might return :BUS:B1:S8B10B:SOURce CH5,
 indicating the source is set to channel 5.

BUS:B<x>:S8B10B:THReshold

This command sets or queries the 8B10b threshold for the specified bus, where the bus is specified by x.

Conditions Requires option SR8B10b.

Group Bus

Syntax BUS:B<x>:S8B10B:THReshold <NR3>
 BUS:B<x>:S8B10B:THReshold?

Related Commands [BUS:B<x>:S8B10B:SOURce](#)

Arguments B<x> is the number of the bus.
 <NR3> is the 8B10b Strobe threshold for the specified bus in volts. The valid range is -8V to +8V.

Examples BUS:B4:S8B10B:THReshold 1.0 sets Bus 4 8B10b threshold to 1.0 V.
 BUS:B3:S8B10B:THReshold? might return :BUS:B3:S8B10B:THReshold
 225.00000E-3 indicates the Bus 3 8B10b threshold is set to 225.0 mV.

BUS:B<x>:SDLC:BITRate

This command sets or queries the bit rate for the specified SDLC bus. The bus is specified by x.

Conditions	Requires option SR-SDLC.
Group	Bus
Syntax	BUS:B<x>:SDLC:BITRate <NR1> BUS:B<x>:SDLC:BITRate?
Arguments	B<x> is the number of the bus. <NR1> specifies the bit rate. The default bit rate is 10 kbs and varies 300 ~ 1000000000.
Examples	BUS:B1:SDLC:BITRate 80000 sets the bit rate as 80 Kbps. BUS:B1:SDLC:BITRate? might return :BUS:B1:SDLC:BITRate 80000, indicating that the bit rate is 80 Kbps.

BUS:B<x>:SDLC:DATA:SOURce

This command sets or queries the source for the specified bus. The bus is specified by x.

Conditions	Requires option SR-SDLC.
Group	Bus
Syntax	BUS:B<x>:SDLC:DATA:SOURce {CH<x> MATH<x> REF<x>} BUS:B<x>:SDLC:DATA:SOURce?
Arguments	B<x> is the number of the bus. CH<x> specifies an analog channel as the source. MATH<x> specifies a math waveform as the source. REF<x> specifies a digital reference waveform as the source.
Examples	BUS:B1:SDLC:DATA:SOURce Ch5 sets the source to channel 5. BUS:B1:SDLC:DATA:SOURce? might return :BUS:B1:SDLC:DATA:SOURce CH5, indicating the source is set to channel 5.

BUS:B<x>:SDLC:DATA:THReshold

This command sets or queries the SDLC data source threshold for the specified bus. The bus is specified by x.

Conditions Requires option SR-SDLC.

Group Bus

Syntax `BUS:B<x>:SDLC:DATA:THReshold <NR3>`
`BUS:B<x>:SDLC:DATA:THReshold?`

Arguments B<x> is the number of the bus.
 <NR3> is the SDLC Strobe threshold for the specified bus. The valid range is -8V to +8V.

Examples `BUS:B1:SDLC:DATA:THReshold 1.0` sets the bus 1 SDLC threshold to 1.0 V.
`BUS:B1:SDLC:DATA:THReshold?` might return
`:BUS:B1:SDLC:DATA:THReshold 225.00000E-3` indicates the bus 1 SDLC threshold is set to 225.0 mV.

BUS:B<x>:SDLC:ENCoding

This command sets or queries the SDLC Bus Encoding. The bus is specified by x.

Conditions Requires option SR-SDLC.

Group Bus

Syntax `BUS:B<x>:SDLC:ENCoding {DISCrete|INVert}`
`BUS:B<x>:SDLC:ENCoding?`

Arguments B<x> is the number of the bus waveform.
 DISCrete specifies the encoding mechanism is Discrete Transmission (NRZ).
 INVert specifies that encoding mechanism is Invert On Zero i.e. NRZI.

Examples `BUS:B1:SDLC:ENCoding DISCrete` sets the encoding method to discrete transmission.

`BUS:B1:SDLC:ENCoding?` might return `:BUS:B1:SDLC:ENCoding DISCrete`, indicating that the encoding type is Discrete Transmission.

BUS:B<x>:SDLC:MODulo

This command sets or queries the SDLC Bus Modulo. The bus is specified by x.

Conditions Requires option SR-SDLC.

Group Bus

Syntax `BUS:B<x>:SDLC:MODulo {8|128}`
`BUS:B<x>:SDLC:MODulo?`

Arguments B<x> is the number of the bus waveform.
8 specifies the C-Field size is 8 bit in SDLC frame.
128 specifies the C-Field size is 16 bit in SDLC frame.

Examples `BUS:B1:SDLC:MODulo 128` sets the modulo to 128.
`BUS:B1:SDLC:MODulo?` might return `:BUS:B1:SDLC:MODulo 128`, indicating that the modulo is 128.

BUS:B<x>:SENT:CHANWidth

This command sets or queries SENT fast channel bit widths for the specified bus.

Conditions Requires option SRAUTOSEN.

Group Bus

Syntax `BUS:B<x>:SENT:CHANwidth`
`{TWELVEtwelve|FOURTEENTen|SIXTEENEight}`
`BUS:B<x>:SENT:CHANwidth?`

Related Commands [BUS:B<x>:SENT:NUMCHANnel](#)

Arguments	<p>B<x> is the number of the bus waveform.</p> <p>TWELVETWELVE sets both Fast Channel 1 and Fast Channel 2 to 12 bits wide.</p> <p>FOURTEENTEN sets Fast Channel 1 to 14 bits and Fast Channel 2 to 10 bits.</p> <p>SIXTEENEIGHT sets Fast Channel 1 to 16 bits and Fast Channel 2 to eight bits.</p>
Examples	<p>BUS:B1:SENT:CHANWIDTH TWELVETWELVE sets the channel width of both Fast Channel 1 and Fast Channel 2 to twelve bits.</p> <p>BUS:B1:SENT:CHANWIDTH? might return :BUS:B1:SENT:CHANWIDTH SIXTEENEIGHT, which indicates that the Fast Channel 1 width is 16 and the Fast Channel 2 width is eight.</p>

BUS:B<x>:SENT:NIBBLECount

This command sets or queries SENT data nibbles for the specified bus.

Conditions	Requires option SRAUTOSEN.
Group	Bus
Syntax	<p>BUS:B<x>:SENT:NIBBLECount {THREE FOUR SIX}</p> <p>BUS:B<x>:SENT:NIBBLECount?</p>
Arguments	<p>B<x> is the number of the bus waveform.</p> <p>THREE specifies regular data with 3 nibbles</p> <p>FOUR specifies regular data with 4 nibbles</p> <p>SIX specifies regular data with 6 nibbles</p>
Examples	<p>BUS:B1:SENT:NIBBLECOUNT THREE sets the data nibble count to three.</p> <p>BUS:B1:SENT:NIBBLECOUNT? might return :BUS:B1:SENT:NIBBLECOUNT SIX, which indicates the nibble count is set to six.</p>

BUS:B<x>:SENT:NUMCHANnel

This command sets or queries SENT fast data channels for the specified bus.

Conditions	Requires option SRAUTOSEN.
-------------------	----------------------------

Group	Bus
Syntax	<code>BUS:B<x>:SENT:NUMCHANne1 {ONE TWO}</code> <code>BUS:B<x>:SENT:NUMCHANne1?</code>
Arguments	<p><code>B<x></code> is the number of the bus waveform.</p> <p><code>ONE</code> specifies a SENT bus with one fast channel.</p> <p><code>TWO</code> specifies a SENT bus with two fast channels.</p>
Examples	<p><code>BUS:B1:SENT:NUMCHANne1 TWO</code> sets the number of SENT channels to two.</p> <p><code>BUS:B1:SENT:NUMCHANNEL?</code> might return <code>:BUS:B1:SENT:NUMCHANNEL ONE</code> to indicate that the number of channels is set to one.</p>

BUS:B<x>:SENT:PAUSEPULSe

This command sets or queries SENT pause pulse for the specified bus.

Conditions	Requires option SRAUTOSEN.
Group	Bus
Syntax	<code>BUS:B<x>:SENT:PAUSEPULSe {NO YES}</code> <code>BUS:B<x>:SENT:PAUSEPULSe?</code>
Arguments	<p><code>B<x></code> is the number of the bus waveform.</p> <p><code>NO</code> specifies no pause pulse.</p> <p><code>YES</code> specifies a pause pulse is used.</p>
Examples	<p><code>BUS:B1:SENT:PAUSEPULSE NO</code> sets the pause pulse value to indicate no pause pulse.</p> <p><code>BUS:B1:SENT:PAUSEPULSE?</code> might return <code>:BUS:B1:SENT:PAUSEPULSE YES</code>, which indicates the SENT bus is set to use pause pulses.</p>

BUS:B<x>:SENT:POLARITY

This command sets or queries SENT Idle State signal polarity for the specified bus.

Conditions	Requires option SRAUTOSEN.
Group	Bus
Syntax	<code>BUS:B<x>:SENT:POLARITY {INVERTed NORMal}</code> <code>BUS:B<x>:SENT:POLARITY?</code>
Arguments	<code>B<x></code> is the number of the bus waveform. INVERTed specifies inverted polarity. NORMal specifies normal polarity.
Examples	<code>BUS:B1:SENT:POLARITY INVERTED</code> sets the idle state of the bus to inverted polarity. <code>BUS:B1:SENT:POLARITY?</code> might return <code>:BUS:B1:SENT:POLARITY NORMAL</code> to indicate the bus idle state polarity is set to normal

BUS:B<x>:SENT:SLOW

This command sets or queries the SENT slow channel configuration for the specified bus.

Conditions	Requires option SRAUTOSEN.
Group	Bus
Syntax	<code>BUS:B<x>:SENT:SLOW {None ENHANCED4 ENHANCED8 SHORT}</code> <code>BUS:B<x>:SENT:SLOW?</code>
Arguments	<code>B<x></code> is the number of the bus waveform. None specifies no slow channel configured. ENHANCED4 specifies Enhanced 4 slow channel configuration. ENHANCED8 specifies Enhanced 8 slow channel configuration. SHORT specifies short slow channel configuration.
Examples	<code>BUS:B1:SENT:SLOW SHORT</code> sets the SENT bus to use the short slow channel configuration.

`BUS:B1:SENT:SLOW?` might return `:BUS:B1:SENT:SLOW NONE` to indicate that the SENT bus is set to have no slow channel.

BUS:B<x>:SENT:SOURce

This command sets or queries the SENT DATA source for the specified bus.

Conditions Requires option SRAUTOSEN.

Group Bus

Syntax `BUS:B<x>:SENT:SOURce`
{`CH<x>` | `CH<x>_D<x>` | `MATH<x>` | `REF<x>` | `REF<x>_D<x>`}
`BUS:B<x>:SENT:SOURce?`

Arguments `B<x>` is the number of the bus waveform.

`CH<x>` specifies an analog channel as the clock source waveform for the audio bus.

`CH<x>_D<x>` specifies a digital channel as the clock source waveform for the specified audio bus.

`MATH<x>` specifies a math waveform as the clock source waveform for the audio bus.

`REF<x>` specifies a reference waveform as the clock source waveform for the audio bus

`REF<x>_D<x>` specifies a digital reference waveform as the clock source waveform for the specified audio bus.

Examples `BUS:B1:SENT:SOURce CH1_D1` sets D1 of channel 1 as the source for the SENT bus.

`BUS:B1:SENT:SOURce?` might return `:BUS:B1:SENT:SOURce CH1` indicating that the source is set to channel 1

BUS:B<x>:SENT:THRESHold

This command sets or queries the SENT DATA source threshold for the specified bus.

Conditions Requires option SRAUTOSEN.

Group	Bus
Syntax	BUS:B<x>:SENT:THRESHOLD <NR3> BUS:B<x>:SENT:THRESHOLD?
Arguments	B<x> is the number of the bus waveform. <NR3> sets the data source threshold value in volts.
Examples	BUS:B1:SENT:THRESHOLD 500.0E-3 sets the Bus 1 source threshold to 500.0 mV. BUS:B1:SENT:THRESHOLD? might return :BUS:B1:SENT:THRESHOLD 2.5000 to indicate the Bus 1 source threshold is 2.5 V.

BUS:B<x>:SENT:TICKTIME

This command sets or queries the SENT bus Clock Tick parameter for the specified bus.

Conditions	Requires option SRAUTOSEN.
Group	Bus
Syntax	BUS:B<x>:SENT:TICKTIME <NR3> BUS:B<x>:SENT:TICKTIME?
Arguments	B<x> is the number of the bus waveform. <NR3> is the SENT clock tick time, in seconds.
Examples	BUS:B1:SENT:TICKTIME 3.0E-6 sets the SENT bus to clock tick to 3 microseconds. BUS:B1:SENT:TICKTIME? might return :BUS:B1:SENT:TICKTIME 10.0000E-6 to indicate the clock tick is set to 10 microseconds.

BUS:B<x>:SENT:TICKTOLerance

This command sets or queries the SENT bus Tick Tolerance percent parameter for the specified bus.

Conditions	Requires option SRAUTOSEN.
Group	Bus
Syntax	<code>BUS:B<x>:SENT:TICKTolerance <NR3></code> <code>BUS:B<x>:SENT:TICKTolerance?</code>
Arguments	<code>B<x></code> is the number of the bus waveform. <code><NR3></code> is the tick tolerance percentage.
Examples	<code>BUS:B1:SENT:TICKTOLERANCE 20.0</code> sets the tick tolerance to 20%. <code>US:B1:SENT:TICKTOLERANCE?</code> might return <code>:BUS:B1:SENT:TICKTOLERANCE 22.5</code> to indicate the tolerance is set to 22.5%.

BUS:B<x>:SMBUS:CLOCK:SOURce

This command sets or queries the clock source for the specified bus.

Conditions	Requires option SR-SMBUS
Group	Bus
Syntax	<code>BUS:B<x>:SMBUS:CLOCK:SOURce {CH<x> MATH<x> REF<x>}</code> <code>BUS:B<x>:SMBUS:CLOCK:SOURce?</code>
Arguments	<code>B<x></code> is the bus number. <code>CH<x></code> specifies an analog channel as the source for the data signal, where <code><x></code> is the channel number. <code>MATH<x></code> specifies a math channel as the source for the data signal, where <code><x></code> is the math waveform number. <code>REF<x></code> specifies a reference waveform as the source for the data signal, where <code><x></code> is the reference waveform number.

Examples `BUS:B1:SMBUS:CLOCK:SOURce CH5` sets the Bus 1 clock source to channel 5.
`BUS:B1:SMBUS:CLOCK:SOURce?` might return
`:BUS:B1:SMBUS:CLOCK:SOURce CH5`, indicating the Bus 1 clock source is channel 5.

BUS:B<x>:SMBUS:CLOCK:THReshold

This command sets or queries the SMBUS clock source threshold for the specified bus.

Conditions Requires option SR-SMBUS

Group Bus

Syntax `BUS:B<x>:SMBUS:CLOCK:THReshold <NR3>`
`BUS:B<x>:SMBUS:CLOCK:THReshold?`

Arguments `B<x>` is the bus number.
`<NR3>` specifies the SMBUS clock threshold for the specified bus. The valid range is -8V to +8V.

Examples `BUS:B1:SMBUS:CLOCK:THReshold 1.0` sets the Bus 1 SMBUS clock threshold to 1.0 V.
`BUS:B1:SMBUS:CLOCK:THReshold?` might return
`:BUS:B1:SMBUS:CLOCK:THReshold 1.0`, indicating the Bus 1 SMBUS clock threshold is 1.0 V.

BUS:B<x>:SMBUS:DATA:SOURce

This command sets or queries the data source for the specified bus.

Conditions Requires option SR-SMBUS

Group Bus

Syntax `BUS:B<x>:SMBUS:DATA:SOURce {CH<x>|MATH<x>|REF<x>}`
`BUS:B<x>:SMBUS:DATA:SOURce?`

Arguments **B<x>** is the bus number.

CH<x> specifies an analog channel as the source for the data signal, where <x> is the channel number.

MATH<x> specifies a math channel as the source for the data signal, where <x> is the math waveform number.

REF<x> specifies a reference waveform as the source for the data signal, where <x> is the reference waveform number.

Examples **BUS:B1:SMBUS:DATA:SOURce CH5** sets the Bus 1 data source to channel 5.

BUS:B1:SMBUS:DATA:SOURce? might return **:BUS:B1:SMBUS:DATA:SOURce CH5**, indicating the Bus 1 data source is channel 5.

BUS:B<x>:SMBUS:DATA:THReshold

This command sets or queries the SMBUS data source threshold for the specified bus.

Conditions Requires option SR-SMBUS

Group Bus

Syntax **BUS:B<x>:SMBUS:DATA:THReshold <NR3>**
BUS:B<x>:SMBUS:DATA:THReshold?

Arguments **B<x>** is the bus number.

<NR3> specifies the SMBUS data threshold for the specified bus. The valid range is -8V to +8V.

Examples **BUS:B1:SMBUS:DATA:THReshold 1.0** sets the Bus 1 SMBUS data threshold to 1.0 V.

BUS:B1:SMBUS:DATA:THReshold? might return **:BUS:B1:SMBUS:DATA:THReshold 1.0**, indicating the Bus 1 SMBUS data threshold is 1.0 V.

BUS:B<x>:SMBUS:PEC:VALUe

This command sets or queries the SMBus PEC selection for the specified bus.

Conditions	Requires option SR-SMBUS
Group	Bus
Syntax	<code>BUS:B<x>:SMBUS:PEC:VALUE {TRUE FALSE}</code> <code>BUS:B<x>:SMBUS:PEC:VALUE?</code>
Arguments	<code>B<x></code> is the bus number. <code>TRUE</code> specifies the SMBus PEC selection as true. <code>FALSE</code> specifies the SMBus PEC selection as false.
Examples	<code>BUS:B1:SMBUS:PEC:VALUE TRUE</code> sets the PEC checkbox selection to true. <code>BUS:B1:SMBUS:PEC:VALUE?</code> might return <code>:BUS:B1:SMBUS:PEC:VALUE TRUE</code> , indicating the PEC checkbox selection is true.

BUS:B<x>:SPACEWIRE:BITRate

This command sets or queries the SpaceWire bit rate.

Conditions	Requires option SR-SPACEWIRE
Group	Bus
Syntax	<code>BUS:B<x>:SPACEWIRE:BITRate <NR3></code> <code>BUS:B<x>:SPACEWIRE:BITRate?</code>
Arguments	<code>B<x></code> is the bus number. <code><NR3></code> specifies the SpaceWire bit rate for the specified bus. The valid bit rate range is 2 Mbps to 200 Mbps. The default value is 10 Mbps.
Examples	<code>BUS:B1:SPACEWIRE:BITRate 10000000</code> sets the bit rate to 10 Mbps. <code>BUS:B1:SPACEWIRE:BITRate?</code> might return <code>:BUS:B1:SPACEWIRE:BITRate RATE189K</code> , indicating that the bit rate is set to 10 Mbps.

BUS:B<x>:SPACEWIRE:DATA:SOURce

This command sets or queries the source of the SpaceWire Data signal for the specified bus.

Conditions Requires option SR-SPACEWIRE

Group Bus

Syntax BUS:B<x>:SPACEWIRE:DATA:SOURce {CH<x>|MATH<x>|REF<x>}
BUS:B<x>:SPACEWIRE:DATA:SOURce?

Related Commands [BUS:B<x>:SPACEWIRE:DATA:THReshold](#)

Arguments B<x> is the bus number.

CH<x> specifies an analog channel as the source for the data signal, where <x> is the channel number.

MATH<x> specifies a math channel as the source for the data signal, where <x> is the math waveform number.

REF<x> specifies a reference waveform as the source for the data signal, where <x> is the reference waveform number.

Examples BUS:B1:SPACEWIRE:DATA:SOURce Ch5 sets the Bus 1 DATA source to channel 5.

BUS:B3:SPACEWIRE:DATA:SOURce? might return
BUS:B3:SPACEWIRE:DATA:SOURce MATH2, indicating the DATA source for Bus 3 is set to Math waveform 2.

BUS:B<x>:SPACEWIRE:DATA:THReshold

This command sets or queries the threshold of the SpaceWire Data signal for the specified bus.

Conditions Requires option SR-SPACEWIRE

Group Bus

Syntax `BUS:B<x>:SPACEWIRE:DATA:THRESHOLD <NR3>`
`BUS:B<x>:SPACEWIRE:DATA:THRESHOLD?`

Related Commands [BUS:B<x>:SPACEWIRE:DATA:SOURCE](#)

Arguments `B<x>` is the bus number.
`<NR3>` specifies the SpaceWire Data threshold level for the specified bus, in volts.

Examples `BUS:B1:SPACEWIRE:DATA:THRESHOLD 2.0` sets the Bus 1 DATA source threshold to 2.0 V.
`BUS:B3:SPACEWIRE:DATA:THRESHOLD?` might return
`BUS:B3:SPACEWIRE:DATA:THRESHOLD 978.00000E-3`, indicating the DATA source threshold level for Bus 3 is set to 978.0 mV.

BUS:B<x>:SPACEWIRE:DECODE:TYPE

This command sets or queries the decode type for SpaceWire bus decode.

Conditions Requires option SR-SPACEWIRE

Group Bus

Syntax `BUS:B<x>:SPACEWIRE:DECODE:TYPE {STROBE|DATARATE}`
`BUS:B<x>:SPACEWIRE:DECODE:TYPE?`

Arguments `B<x>` is the bus number.
`STROBE` specifies the decode type as strobe.
`DATARATE` specifies the decode type as data rate.

Examples `BUS:B1:SPACEWIRE:DECODE:TYPE STROBE` sets the decode type as strobe.
`BUS:B1:SPACEWIRE:DECODE:TYPE?` might return
`:BUS:B1:SPACEWIRE:DECODE:TYPE Strobe`, indicating the decode type is strobe.

BUS:B<x>:SPACEWIRE:STRobe:SOURce

This command sets or queries the source of the SpaceWire Strobe signal for the specified bus.

Conditions Requires option SR-SPACEWIRE

Group Bus

Syntax `BUS:B<x>:SPACEWIRE:STRobe:SOURce {CH<x>|MATH<x>|REF<x>}`
`BUS:B<x>:SPACEWIRE:STRobe:SOURce?`

Related Commands [BUS:B<x>:SPACEWIRE:STRobe:THReshold](#)

Arguments B<x> is the bus number.

CH<x> specifies an analog channel as the source for the strobe signal, where <x> is the channel number.

MATH<x> specifies a math channel as the source for the strobe signal, where <x> is the math waveform number.

REF<x> specifies a reference waveform as the source for the strobe signal, where <x> is the reference waveform number.

Examples `BUS:B1:SPACEWIRE:STRobe:SOURce Ch5` sets the Bus 1 Strobe source to channel 5.

`BUS:B3:SPACEWIRE:STRobe:SOURce?` might return
`BUS:B3:SPACEWIRE:STRobe:SOURce MATH2`, indicating the Strobe source for Bus 3 is set to Math waveform 2.

BUS:B<x>:SPACEWIRE:STRobe:THReshold

This command sets or queries the threshold level of the SpaceWire Strobe signal for the specified bus.

Conditions Requires option SR-SPACEWIRE

Group Bus

Syntax `BUS:B<x>:SPACEWIRE:STRObe:THResho1d <NR3>`
`BUS:B<x>:SPACEWIRE:STRObe:THResho1d?`

Related Commands [BUS:B<x>:SPACEWIRE:STRObe:SOUrce](#)

Arguments `B<x>` is the bus number.

`<NR3>` specifies the SpaceWire Strobe signal threshold level for the specified bus, in volts.

Examples `BUS:B4:SPACEWIRE:STRObe:THResho1d 1.2` sets the Bus 4 Strobe source threshold to 1.2 V.

`BUS:B1:SPACEWIRE:STRObe:THResho1d?` might return
`BUS:B1:SPACEWIRE:STRObe:THResho1d 950.00000E-3`,
indicating the Strobe source threshold level for bus 1 is set to 950.0 mV.

BUS:B<x>:SPACEWIRE:SYNC

This command sets or queries sync for SpaceWire decoding.

Conditions Requires option SR-SPACEWIRE

Group Bus

Syntax `BUS:B<x>:SPACEWIRE:SYNC {DATA|NULL|AUTO|CUSTOM}`
`BUS:B<x>:SPACEWIRE:SYNC?`

Arguments `B<x>` is the bus number.

`DATA` specifies sync as data.

`NULL` specifies sync as null.

`AUTO` specifies sync as auto.

`CUSTOM` specifies sync as custom.

Examples `BUS:B1:SPACEWIRE:SYNC NULL` sets the sync to null.

`BUS:B1:SPACEWIRE:SYNC?` might return `:BUS:B1:SPACEWIRE:SYNC NULL`,
indicating the sync is set to null.

BUS:B<x>:SPACEWIRE:SYNC:COUnT

This command sets or queries the length of the data string in bytes to be used for a SpaceWire sync bytes.

Conditions Requires option SR-SPACEWIRE

Group Bus

Syntax `BUS:B<x>:SPACEWIRE:SYNC:COUnT <NR1>`
`BUS:B<x>:SPACEWIRE:SYNC:COUnT?`

Arguments `B<x>` is the bus number.

`NR1` specifies the length of the data string in bytes. The minimum is 2 and the maximum is 10. The default is 2 bytes.

Examples `BUS:B1:SPACEWIRE:SYNC:COUnT 3` sets the count to 3.

`BUS:B1:SPACEWIRE:SYNC:COUnT?` might return
`:BUS:B1:SPACEWIRE:SYNC:COUnT 3`, indicating the count is 3.

BUS:B<x>:SPACEWIRE:SYNC:PATtern

This command sets or queries sync pattern for SpaceWire decoding.

Conditions Requires option SR-SPACEWIRE

Group Bus

Syntax `BUS:B<x>:SPACEWIRE:SYNC:PATtern <NR3>`
`BUS:B<x>:SPACEWIRE:SYNC:PATtern?`

Arguments `B<x>` is the bus number.

`<NR3>` specifies the sync pattern.

Examples `BUS:B1:SPACEWIRE:SYNC:PATTERN N N` sets the sync pattern to N N.
 `BUS:B1:SPACEWIRE:SYNC:PATTERN?` might return
 `:BUS:B1:SPACEWIRE:SYNC:PATTERN N N`, indicating the Bus 1 SpaceWire
 pattern to be N N.

BUS:B<x>:SPACEWIRE:SYNC:VALUE

This command sets or queries sync value for sync option data.

Conditions Requires option SR-SPACEWIRE

Group Bus

Syntax `BUS:B<x>:SPACEWIRE:SYNC:VALUE <NR3>`
 `BUS:B<x>:SPACEWIRE:SYNC:VALUE?`

Arguments `B<x>` is the bus number.
 `<NR3>` specifies the sync value for sync option data.

Examples `BUS:B1:SPACEWIRE:SYNC:VALUE D-00 D-00` sets the sync value to D-00
 D-00.
 `BUS:B1:SPACEWIRE:SYNC:VALUE?` might return
 `:BUS:B1:SPACEWIRE:SYNC:VALUE D-00 D-00`, indicating the Bus 1
 SpaceWire sync value is D-00 D-00.

BUS:B<x>:SPI:BITOrder

This command sets or queries the SPI bit order for the specified bus. The bus is specified by x.

Conditions Requires option 5-SREMBD or SUP5-SREMBD.

Group Bus

Syntax `BUS:B<x>:SPI:BITOrder {LSB|MSB}`
 `BUS:B<x>:SPI:BITOrder?`

Related Commands [BUS:B<x>:SPI:DATA:SIZE](#)

Arguments B<x> is the number of the bus waveform.

LSB specifies that each bit becomes the recovered value's new LSB, after shifting previously recovered bits one place to the left. The decoding happens right to left.

MSB specifies that each successive bit from the bus's data line becomes the new MSB of the recovered value, shifting any previously recovered bits one place to the right. The decoding happens left to right.

Examples `BUS:B1:SPI:BITORDER LSB` sets each bit order for the SPI Bus 1 to LSB.

`BUS:B1:SPI:BITORDER?` might return `BUS:B1:SPI:BITORDER MSB`, indicating that the bit order for the SPI Bus 1 is set to MSB.

BUS:B<x>:SPI:CLOCK:POLarity

This command sets or queries the SPI clock (SCLK) source polarity for the specified bus. The bus is specified by x.

Conditions Requires option 5-SREMBD or SUP5-SREMBD.

Group Bus

Syntax `BUS:B<x>:SPI:CLOCK:POLarity {FALL|RISE}`
`BUS:B<x>:SPI:CLOCK:POLarity?`

Related Commands [BUS:B<x>:SPI:CLOCK:SOUrce](#)

Arguments B<x> is the number of the bus waveform.

FALL sets the clock to the falling edge of the signal.

RISE sets the clock to the rising edge of the signal.

Examples `BUS:B1:SPI:CLOCK:POLARITY FALL` sets the SPI clock polarity to the falling edge for the Bus 1.

`BUS:B1:SPI:CLOCK:POLARITY?` might return `BUS:B1:SPI:CLOCK:POLARITY RISE`, indicating that the SPI clock polarity for the Bus 1 is set to the rising edge.

BUS:B<x>:SPI:CLOCK:SOURce

This command sets or queries the SPI clock (SCLK) source for the specified bus. The bus is specified by x.

Conditions Requires option 5-SREMBD or SUP5-SREMBD.

Group Bus

Syntax `BUS:B<x>:SPI:CLOCK:SOURce`
`{CH<x> | CH<x>_D<x> | MATH<x> | REF<x> | REF<x>_D<x>}`
`BUS:B<x>:SPI:CLOCK:Source?`

Related Commands [BUS:B<x>:SPI:CLOCK:POLarity](#)

Arguments B<x> is the number of the bus waveform.

CH<x> designates an analog channel as the bus SPI clock source.

CH<x>_D<x> designates a digital channel as the bus SPI clock source.

MATH<x> designates a math waveform as the clock source.

REF<x> designates a reference waveform as the clock source.

REF<x>_D<x> specifies a digital reference waveform as the clock source waveform for the specified SPI bus.

Examples `BUS:B1:SPI:CLOCK:SOURCE CH5` sets the SPI clock source for the Bus 1 to CH5.

`BUS:B1:SPI:CLOCK:SOURCE?` might return `BUS:B1:SPI:CLOCK:SOURCE MATH1`, indicating that the SPI clock source for the Bus 1 is set to MATH1.

BUS:B<x>:SPI:CLOCK:THReshold

This command sets or queries the SPI Clock (SCLK) source threshold for the specified bus. The bus is specified by x.

Conditions Requires option 5-SREMBD or SUP5-SREMBD.

Group Bus

Syntax **BUS:B<x>:SPI:CLOCK:THResho1d <NR3>**
BUS:B<x>:SPI:CLOCK:THResho1d?

Arguments **B<x>** is the number of the bus waveform.
<NR3> is the SPI Clock (SCLK) source threshold for the specified bus.

Examples **BUS:B1:SPI:CLOCK:THResho1d 50.0e-3** sets the threshold to 50.0 mV.
BUS:B1:SPI:CLOCK:THResho1d? might return
BUS:B1:SPI:CLOCK:THRESHOLD 0.0E+0, indicating the threshold is set to 0.0 V.

BUS:B<x>:SPI:DATA:POLarity

This command sets or queries the SPI Data (Data) source polarity for the bus number specified by x.

Conditions Requires option 5-SREMBD or SUP5-SREMBD.

Group Bus

Syntax **BUS:B<x>:SPI:DATA:POLarity {HIGH|LOW}**
BUS:B<x>:SPI:DATA:POLarity?

Arguments **B<x>** is the number of the bus waveform.
HIGH sets the SPI data polarity to active high.
LOW sets the SPI data polarity to active low.

Examples **BUS:B4:SPI:DATA:POLARITY HIGH** sets the SPI data polarity for the Bus 4 to active high.
BUS:B1:SPI:DATA:POLARITY? might return **BUS:B1:SPI:DATA:POLARITY LOW**, indicating that the SPI SDA polarity for the Bus 1 is set to active low.

BUS:B<x>:SPI:DATA:SIZE

This command sets or queries the number of bits per word for the specified SPI bus. The bus is specified by x.

Conditions	Requires option 5-SREMBD or SUP5-SREMBD.
Group	Bus
Syntax	BUS:B<x>:SPI:DATA:SIZE <NR1> BUS:B<x>:SPI:DATA:SIZE?
Arguments	B<x> is the number of the bus waveform. <NR1> is the data size for the specified bus. The minimum value is 2 and maximum is 32.
Examples	BUS:B1:SPI:DATA:SIZE 7 sets the data size for SPI Bus 1 to seven bits per word. BUS:B1:SPI:DATA:SIZE? might return BUS:B1:SPI:DATA:SIZE 8, indicating that the data size for SPI Bus 1 is set to eight bits per word.

BUS:B<x>:SPI:DATA:SOURce

This command sets or queries the SPI Data (Data) source for the bus number specified by x.

Conditions	Requires option 5-SREMBD or SUP5-SREMBD.
Group	Bus
Syntax	BUS:B<x>:SPI:DATA:SOURce {CH<x> CH<x>_D<x> MATH<x> REF<x> REF<x>_D<x>} BUS:B<x>:SPI:DATA:SOURce?
Arguments	B<x> is the number of the bus waveform. CH<x> designates an analog channel as the data source for the specified SPI bus. CH<x>_D<x> designates an digital channel as the bus SPI clock source. MATH<x> designates a math waveform as the data source. REF<x> designates a reference waveform as the data source. REF<x>_D<x> specifies a digital reference waveform as the data source waveform for the specified SPI bus.

Examples `BUS:B1:SPI:DATA:SOURCE CH2` sets the SPI data source for the Bus 1 to CH2.
`BUS:B3:SPI:DATA:SOURCE?` might return `BUS:B3:SPI:DATA:SOURCE CH3`, indicating that the SPI data source for the Bus 3 is set to CH3.

BUS:B<x>:SPI:DATA:THReshold

This command sets or queries the SPI Data (Data) source threshold for the specified bus. The bus is specified by x.

Conditions Requires option 5-SREMBD or SUP5-SREMBD.

Group Bus

Syntax `BUS:B<x>:SPI:DATA:THReshold <NR3>`
`BUS:B<x>:SPI:DATA:THReshold?`

Arguments `B<x>` is the number of the bus waveform.
`<NR3>` is the SPI Data (SDA) source threshold for the specified bus.

Examples `BUS:B1:SPI:DATA:THReshold 50.0e-3` sets the threshold to 50.0 mV.
`BUS:B1:SPI:DATA:THReshold?` might return
`BUS:B1:SPI:DATA:THRESHOLD 0.0E+0` indicating the threshold is set to 0.0 V.

BUS:B<x>:SPI:FRAMING

This command sets or queries the SPI framing setting for the specified bus. The bus number is specified by x.

Conditions Requires option 5-SREMBD or SUP5-SREMBD.

Group Bus

Syntax `BUS:B<x>:SPI:FRAMING {IDLE|SS}`
`BUS:B<x>:SPI:FRAMING?`

Arguments B<x> is the number of the bus waveform.
 IDLE specifies IDLE SPI framing.
 SS specifies SS SPI framing.

Examples BUS:B1:SPI:FRAMING IDLE sets the SPI framing to IDLE.
 BUS:B1:SPI:FRAMING? might return BUS:B1:SPI:FRAMING SS, indicating that the SPI framing is set to SS.

BUS:B<x>:SPI:IDLETime

This command sets or queries the SPI idle time for the specified bus. The bus is specified by x.

Conditions Requires option 5-SREMBD or SUP5-SREMBD.

Group Bus

Syntax BUS:B<x>:SPI:IDLETime <NR3>
 BUS:B<x>:SPI:IDLETime?

Arguments B<x> is the number of the bus waveform.
 <NR3> specifies the SPI idle time.

Examples BUS:B1:SPI:IDLETime 0.000004 sets the idle time to 4 μ s.
 BUS:B1:SPI:IDLETime? might return BUS:B1:SPI:IDLETIME 5.0000E-6, indicating that the idle time is set to 5 μ s.

BUS:B<x>:SPI:MISo:DATA:POLarity

This command sets or queries the SPI MISo Data source polarity for the specified bus. The bus is specified by x.

Conditions Requires option SR-SPI.

Group Bus

Syntax `BUS:B<x>:SPI:MISo:DATA:POLarity {HIGH|LOW}`
`BUS:B<x>:SPI:MISo:DATA:POLarity?`

Arguments `B<x>` is the number of the bus waveform.

HIGH sets the polarity to high.

LOW sets the polarity to low.

Examples `BUS:B1:SPI:MISo:DATA:POLarity HIGH` sets the SPI MISo data polarity to high.

`BUS:B1:SPI:MISo:DATA:POLarity?` might return
`BUS:B1:SPI:MISo:DATA:POLarity HIGH`, indicating that the SPI MISo data polarity is high.

BUS:B<x>:SPI:MISo:INPut

This command sets or queries the SPI MISo source for the specified bus. The bus is specified by x.

Conditions Requires option SR-SPI.

Group Bus

Syntax `BUS:B<x>:SPI:MISo:INPut {CH<x>|MATH<x>|REF<x>}`
`BUS:B<x>:SPI:MISo:INPut?`

Arguments `B<x>` is the number of the bus waveform.

`CH<x>` designates an analog channel as the source.

`MATH<x>` designates a math waveform as the source.

`REF<x>` designates a reference waveform as the source.

Examples `BUS:B1:SPI:MISo:INPut Ch5` sets the source to channel 5.

`BUS:B1:SPI:MISo:INPut?` might return `BUS:B1:SPI:MISo:INPut HIGH`, indicating the source is set to channel 5.

BUS:B<x>:SPI:MISo:THReshold

This command sets or queries the SPI MISo Data source threshold for the specified bus. The bus is specified by x.

Conditions Requires option SR-SPI.

Group Bus

Syntax BUS:B<x>:SPI:MISo:THReshold <NR3>
BUS:B<x>:SPI:MISo:THReshold?

Arguments B<x> is the number of the bus waveform.
<NR3> is the SPI MISo Data source threshold for the specified bus.

Examples BUS:B1:SPI:MISo:THReshold 1.0 sets the Bus 1 SPI MISo threshold to 1.0 V.
BUS:B1:SPI:MISo:THReshold? might return
:BUS:B1:SPI:MISo:THReshold 225.00000E-3, indicates the Bus 1 SPI MISo threshold is set to 225.0 mV.

BUS:B<x>:SPI:MOSi:DATA:POLarity

This command sets or queries the SPI MOSI source polarity for the specified bus. The bus is specified by x.

Conditions Requires option SR-SPI.

Group Bus

Syntax BUS:B<x>:SPI:MOSi:DATA:POLarity {HIGH|LOW}
BUS:B<x>:SPI:MOSi:DATA:POLarity?

Arguments B<x> is the number of the bus waveform.
HIGH sets the polarity to high.
LOW sets the polarity to low.

Examples `BUS:B1:SPI:MOSi:DATA:POLarity HIGH` sets the SPI MOSI data polarity to high.

`BUS:B1:SPI:MOSi:DATA:POLarity?` might return `:BUS:B1:SPI:MOSi:DATA:POLarity HIGH`, indicating that the SPI MOSI data polarity is high.

BUS:B<x>:SPI:MOSi:INPut

This command sets or queries the SPI MOSI source for the specified bus. The bus is specified by x.

Conditions Requires option SR-SPI.

Group Bus

Syntax `BUS:B<x>:SPI:MOSi:INPut {CH<x>|MATH<x>|REF<x>}`
`BUS:B<x>:SPI:MOSi:INPut?`

Arguments `B<x>` is the number of the bus waveform.

`CH<x>` designates an analog channel as the source.

`MATH<x>` designates a math waveform as the source.

`REF<x>` designates a reference waveform as the source.

Examples `BUS:B1:SPI:MOSi:INPut Ch5` sets the source to channel 5.

`BUS:B1:SPI:MOSi:INPut?` might return `:BUS:B1:SPI:MOSi:INPut HIGH`, indicating the source is set to channel 5.

BUS:B<x>:SPI:MOSi:THReshold

This command sets or queries the SPI MOSI source threshold for the specified bus. The bus is specified by x.

Conditions Requires option SR-SPI.

Group Bus

Syntax	<code>BUS:B<x>:SPI:MOSi:THReshoId <NR3></code> <code>BUS:B<x>:SPI:MOSi:THReshoId?</code>
Arguments	<code>B<x></code> is the number of the bus waveform. <code><NR3></code> is the SPI MOSI Data source threshold for the specified bus.
Examples	<code>BUS:B1:SPI:MOSi:THReshoId 1.0</code> sets the Bus 1 SPI MOSI threshold to 1.0 V. <code>BUS:B1:SPI:MOSi:THReshoId?</code> might return <code>:BUS:B1:SPI:MOSi:THReshoId 225.00000E-3</code> , indicates the Bus 1 SPI MOSI threshold is set to 225.0 mV.

BUS:B<x>:SPI:NUMBer:INputs

This command sets or queries the number of inputs for the specified bus. The bus is specified by `x`.

Conditions	Requires option SR-SPI.
Group	Bus
Syntax	<code>BUS:B<x>:SPI:NUMBer:INputs {ONE TWO}</code> <code>BUS:B<x>:SPI:NUMBer:INputs?</code>
Arguments	<code>B<x></code> is the number of the bus waveform. <code>ONE</code> sets the Data Inputs as one. <code>TWO</code> sets the Data Inputs as two.
Examples	<code>BUS:B1:SPI:NUMBer:INputs TWO</code> sets the Data Inputs as two. <code>BUS:B1:SPI:NUMBer:INputs?</code> might return <code>:BUS:B1:SPI:NUMBer:INputs TWO</code> , indicating that the Data Inputs is two.

BUS:B<x>:SPI:SELEct:POLarity

This command sets or queries the SPI Slave Select (SS) polarity for the specified bus. The bus is specified by `x`.

Conditions	Requires option 5-SREMBD or SUP5-SREMBD.
Group	Bus
Syntax	BUS:B<x>:SPI:SElect:POLarity {LOW HIGH} BUS:B<x>:SPI:SElect:POLarity?
Related Commands	BUS:B<x>:SPI:SElect:SOUrce
Arguments	B<x> is the number of the bus waveform. LOW sets an active low polarity. HIGH sets an active high polarity.
Examples	BUS:B1:SPI:SELECT:POLARITY HIGH sets the SPI Slave Select polarity for the bus B1 to active high. BUS:B1:SPI:SELECT:POLARITY? might return BUS:B1:SPI:SELECT:POLARITY HIGH, indicating that the SPI Slave Select polarity for the bus B1 is set to active high.

BUS:B<x>:SPI:SElect:SOUrce

This command sets or queries the SPI Slave Select (SS) source for the specified bus. The bus is specified by x.

Conditions	Requires option 5-SREMBD or SUP5-SREMBD.
Group	Bus
Syntax	BUS:B<x>:SPI:SElect:SOUrce {CH<x> CH<x>_D<x> MATH<x> REF<x> REF<x>_D<x>} BUS:B<x>:SPI:SElect:SOUrce?
Related Commands	BUS:B<x>:SPI:SElect:POLarity
Arguments	B<x> is the number of the bus waveform. CH<x> designates an analog channel as the buses' SPI Slave Select source.

CH<x>_D<x> designates a digital channel as the buses' SPI Slave Select source.

MATH<x> designates a math waveform as the Slave Select source.

REF<x> designates a reference waveform as the Slave Select source.

REF<x>_D<x> specifies a digital reference waveform as the clock source waveform for the specified SPI bus.

Examples `BUS:B1:SPI:SELECT:SOURCE MATH3` sets the SPI Slave Select source for the bus B1 to MATH3.

`BUS:B1:SPI:SELECT:SOURCE?` might return `BUS:B1:SPI:SELECT:SOURCE CH3`, indicating that the SPI Slave Select source for the bus B1 is set to CH3.

BUS:B<x>:SPI:SElect:THReshold

This command sets or queries the SPI Select (SS) source threshold for the specified bus. The bus is specified by x.

Conditions Requires option 5-SREMBD or SUP5-SREMBD.

Group Bus

Syntax `BUS:B<x>:SPI:SElect:THReshold <NR3>`
`BUS:B<x>:SPI:SElect:THReshold?`

Arguments B<x> is the number of the bus waveform.

<NR3> is the SPI Select (SS) source threshold for the specified bus.

Examples `BUS:B1:SPI:SElect:THReshold 50.0e-3` sets the threshold to 50.0 mV.

`BUS:B1:SPI:SElect:THReshold?` might return `BUS:B1:SPI:SELECT:THRESHOLD 0.0E+0`, indicating the threshold is set to 0.0 V.

BUS:B<x>:SPMI:SCLk:SOUrce

This command sets or queries the SPMI Clock (SCLK) source for the specified bus.

Conditions Requires option SRPM

Group	Bus
Syntax	BUS:B<x>:SPMI:SCLk:SOUrcE {CH<x> CH<x>_Dx} MATH<x> REF<x> REF<x>_D<x>} BUS:B<x>:SPMI:SCLk:SOUrcE?
Related Commands	BUS:B<x>:SPMI:SDATa:SOUrcE
Arguments	<p>B<x> is the number of the bus waveform.</p> <p>CH<x> specifies an analog channel as the clock source waveform for the SPMI bus.</p> <p>CH<x>_Dx specifies a digital channel and bit as the clock source waveform for the specified SPMI bus.</p> <p>MATH<x> specifies a math waveform as the clock source waveform for the specified SPMI bus.</p> <p>REF<x> specifies a reference waveform as the clock source waveform for the specified SPMI bus.</p> <p>REF<x>_D<x> specifies a digital reference waveform and bit as the clock source waveform for the specified SPMI bus.</p>
Examples	<p>BUS:B1:SPMI:SCLk:SOUrcE CH1_D1 sets D1 of channel 1 as the clock source for the SPMI bus B1.</p> <p>BUS:B1:SPMI:SCLk:SOUrcE? might return BUS:B3:SPMI:SCLk:SOUrcE CH3, indicating that the data source for bus B3 is set to channel 3.</p>

BUS:B<x>:SPMI:SCLk:THReshold

This command sets or queries the SPMI Clock (SCLK) source threshold for the specified bus.

Conditions	Requires option SRPM
Group	Bus
Syntax	BUS:B<x>:SPMI:SCLk:THReshoId <NR3> BUS:B<x>:SPMI:SCLk:THReshoId?
Related Commands	TRIGger:{A B}:BUS:B<x>:SPMI:CONDition

Arguments	B<x> is the number of the bus waveform. <NR3> is the clock (SCLK) source threshold value for the specified SPMI bus.
Examples	BUS:B3:SPMI:SCLK:THRESHOLD 500.0E-3 sets the Bus3 clock source threshold to 500.0 mV. BUS:B1:SPMI:SCLK:THRESHOLD? might return BUS:B1:SPMI:SCLK:THRESHOLD 250.0E-3 to indicate Bus1 clock threshold is set to 250.0 mV.

BUS:B<x>:SPMI:SDATa:SOUrce

This command sets or queries the SPMI Data (SDATA) source for the specified bus.

Conditions	Requires option SRPM
Group	Bus
Syntax	BUS:B<x>:SPMI:SDATa:SOUrce {CH<x> CH<x>_Dx} MATH<x> REF<x> REF<x>_D<x>} BUS:B<x>:SPMI:SDATa:SOUrce?

Related Commands [BUS:B<x>:SPMI:SCLk:SOUrce](#)

Arguments	B<x> is the number of the bus waveform. CH<x> specifies an analog channel as the data source waveform for the SPMI bus. CH<x>_Dx specifies a digital channel and bit as the data source waveform for the specified SPMI bus. MATH<x> specifies a math waveform as the data source waveform for the specified SPMI bus. REF<x> specifies a reference waveform as the data source waveform for the specified SPMI bus. REF<x>_D<x> specifies a digital reference waveform and bit as the data source waveform for the specified SPMI bus.
Examples	BUS:B4:SPMI:SDATa:SOUrce CH1_D2 sets bit D2 of digital channel 1 as the data source for the SPMI bus B4.

`BUS:B1:SPMI:SCLk:SOURce?` might return `BUS:B3:SPMI:SCLk:SOURce CH5` indicating that the data source is set to channel 5 for bus B3.

BUS:B<x>:SPMI:SDATa:THReshold

This command sets or queries the SPMI Data (SDATA) source threshold for the specified bus.

Conditions	Requires option SRPM
Group	Bus
Syntax	<code>BUS:B<x>:SPMI:SDATa:THReshold <NR3></code> <code>BUS:B<x>:SPMI:SDATa:THReshold?</code>
Related Commands	TRIGger:{A B}:BUS:B<x>:SPMI:CONDition
Arguments	<code>B<x></code> is the number of the bus waveform. <code><NR3></code> is the data (SDATA) source threshold value for the specified SPMI bus.
Examples	<code>BUS:B2:SPMI:SDATA:THRESHOLD 400.0E-3</code> sets Bus2 data source threshold to 400.0 mV. <code>BUS:B1:SPMI:SDATA:THRESHOLD?</code> might return <code>BUS:B1:SPMI:SDATA:THRESHOLD 220.0E-3</code> to indicate that Bus1 data source threshold is set to 220.0 mV

BUS:B<x>:SVID:ALERT:SOURce

This command sets or queries alert source channel for the specified SVID bus. The bus is specified by x.

Conditions	Requires option SR-SVID
Group	Bus
Syntax	<code>BUS:B<x>:SVID:ALERT:SOURce {CH<x> MATH<x> REF<x>}</code> <code>BUS:B<x>:SVID:ALERT:SOURce?</code>

Arguments B<x> is the number of the bus waveform.
 CH<x> specifies an analog channel as the data source.
 MATH<x> specifies a math channel as the data source.
 REF<x> specifies a digital reference waveform as the data source.

Examples BUS:B1:SVID:ALERT:SOURce CH5 sets the source to channel 5.
 BUS:B1:SVID:ALERT:SOURce? might return :BUS:B1:SVID:ALERT:SOURce CH5, indicating the source is set to channel 5.

BUS:B<x>:SVID:ALERT:THReshold

This command sets or queries the alert threshold for the specified SVID bus. The bus is specified by x.

Conditions Requires option SR-SVID

Group Bus

Syntax BUS:B<x>:SVID:ALERT:THReshold <NR3>
 BUS:B<x>:SVID:ALERT:THReshold?

Arguments B<x> is the number of the bus waveform.
 <NR3> is the SVID Strobe threshold for the specified bus. The argument range is -8V to +8V

Examples BUS:B1:SVID:ALERT:THReshold 0.6 sets the Bus 1 SVID threshold to 600 mV.
 BUS:B1:SVID:ALERT:THReshold? might return :BUS:B1:SVID:ALERT:THReshold 600.00000E-3, indicates the Bus 1 SVID threshold is set to 600 mV.

BUS:B<x>:SVID:CLOCK:SOURce

This command sets or queries clock source channel for the specified SVID bus. The bus is specified by x.

Conditions Requires option SR-SVID

Group	Bus
Syntax	<code>BUS:B<x>:SVID:CLOCK:SOURce {CH<x> MATH<x> REF<x>}</code> <code>BUS:B<x>:SVID:CLOCK:SOURce?</code>
Arguments	<p><code>B<x></code> is the number of the bus waveform.</p> <p><code>CH<x></code> specifies an analog channel as the source.</p> <p><code>MATH<x></code> specifies a math channel as the source.</p> <p><code>REF<x></code> specifies a digital reference waveform as the source.</p>
Examples	<p><code>BUS:B1:SVID:CLOCK:SOURce CH3</code> sets the source to channel 3.</p> <p><code>BUS:B1:SVID:CLOCK:SOURce?</code> might return <code>:BUS:B1:SVID:CLOCK:SOURce CH3</code>, indicating the source is set to channel 3.</p>

BUS:B<x>:SVID:CLOCK:THReshold

This command sets or queries the clock threshold for the specified SVID bus. The bus is specified by x.

Conditions	Requires option SR-SVID
Group	Bus
Syntax	<code>BUS:B<x>:SVID:CLOCK:THReshold <NR3></code> <code>BUS:B<x>:SVID:CLOCK:THReshold?</code>
Arguments	<p><code>B<x></code> is the number of the bus waveform.</p> <p><code><NR3></code> is the SVID Strobe threshold for the specified bus. The argument range is -8V to +8V</p>
Examples	<p><code>BUS:B1:SVID:CLOCK:THReshold 1.0</code> sets the Bus 1 SVID threshold to 1.0 V.</p> <p><code>BUS:B1:SVID:CLOCK:THReshold?</code> might return <code>:BUS:B1:SVID:CLOCK:THReshold 1.0000</code>, indicates the Bus 1 SVID threshold is set to 1V.</p>

BUS:B<x>:SVID:DATA:SOURce

This command sets or queries data source channel for the specified SVID bus. The bus is specified by x.

Conditions	Requires option SR-SVID
Group	Bus
Syntax	BUS:B<x>:SVID:DATA:SOURce {CH<x> MATH<x> REF<x>} BUS:B<x>:SVID:DATA:SOURce?
Arguments	B<x> is the number of the bus waveform. CH<x> specifies an analog channel as the source. MATH<x> specifies a math channel as the source. REF<x> specifies a digital reference waveform as the source.
Examples	BUS:B1:SVID:DATA:SOURce CH4 sets the source to channel 4. BUS:B1:SVID:DATA:SOURce? might return :BUS:B1:SVID:DATA:SOURce CH4, indicating the source is set to channel 4.

BUS:B<x>:SVID:DATA:THReshold

This command sets or queries the data threshold for the specified SVID bus. The bus is specified by x.

Conditions	Requires option SR-SVID
Group	Bus
Syntax	BUS:B<x>:SVID:DATA:THReshold <NR3> BUS:B<x>:SVID:DATA:THReshold?
Arguments	B<x> is the number of the bus waveform. <NR3> is the SVID Strobe threshold for the specified bus. The argument range is -8V to +8V

Examples `BUS:B1:SVID:DATA:THResho1d 0.25` sets the Bus 1 SVID threshold to 250 mV.

`BUS:B1:SVID:DATA:THResho1d?` might return
`:BUS:B1:SVID:DATA:THResho1d 250.00000E-3`, indicates the Bus 1 SVID threshold is set to 250 mV.

BUS:B<x>:TYPE

This command sets or queries the bus type or standard for the specified bus. The bus is specified by x. Arguments for a bus type are only available then the required serial bus option is installed.

Group Bus

Syntax `BUS:B<x>:TYPE {ARINC429| AUDio| CAN| ETHernet| EUSB| FLEXRAY| I2C| I3C| LIN| MDIO| MIL1553B| PARAllel| RS232C| SENT| SPI| SPMI| SVID| USB}`
`BUS:B<x>:TYPE?`

Arguments B<x> is the number of the bus waveform.

ARINC429 specifies the ARINC 429 avionics serial bus.

AUDio specifies an audio bus.

CAN specifies a Controller Area Network bus.

ETHernet specifies the Ethernet bus.

EUSB specifies a eUSB bus. Requires option SR-EUSB2.

FLEXRAY specifies a FlexRay bus.

I2C specifies the Inter-IC bus.

I3C specifies the MIPI Improved Inter Integrated Circuit (I3C) bus.

LIN specifies a Local Interconnect Network bus.

MDIO specifies a MDIO bus.

MIL1553B specifies the MIL-STD-1553 avionics serial bus.

PARAllel specifies a parallel bus.

RS232C specifies the RS-232 Serial bus.

SENT specifies the Single Edge Nibble Transmission (SENT) automotive serial bus.

SPI specifies the Serial Peripheral Interface bus.

SPMI Specifies a System Power Management Interface bus

SVID Specifies a Serial VID bus

USB specifies the Universal Serial bus.

Examples `BUS:B1:TYPE I2C` sets the bus B1 type to I2C.

`BUS:B1:TYPE?` might return `BUS:B1:TYPE SPI`, indicating that the bus B1 type is set to SPI and that the bus behavior is governed by the `BUS:B1:SPI:xxxx` commands.

BUS:B<x>:USB:BITRate

This command sets or queries the USB data rate for bus <x>, where the bus number is specified by x.

Conditions Requires option SR-USB2 or SR-USB3.

Group Bus

Syntax `BUS:B<x>:USB:BITRate {FULL |HIGH |LOW |USB30 |USB31G1 |USB32G1}`
`BUS:B<x>:USB:BITRate?`

Arguments B<x> is the number of the bus waveform.

FULL indicates the bit rate is 12 Mbps.

HIGH indicates the bit rate is 480 Mbps.

LOW indicates the bit rate is 1.5 Mbps.

USB30 indicates the bit rate is USB 3.0 (5 Gbps). Requires option SR-USB3.

USB31G1 indicates the bit rate is USB 3.1 Gen 1 (5 Gbps). Requires option SR-USB3.

USB32G1 indicates the bit rate is USB 3.2 Gen 1 (5 Gbps). Requires option SR-USB3.

Examples `BUS:B1:USB:BITRATE FULL` sets the bit rate to 12 Mbps.

`BUS:B1:USB:BITRATE?` might return `BUS:B1:USB:BITRATE LOW`, indicating that the bit rate is 1.5 Mbps.

BUS:B<x>:USB:DATAMINUSTHRESHold

This command sets or queries the USB D- source threshold for the specified bus. The bus is specified by x.

Conditions Requires option SR-USB2.

Group Bus

Syntax BUS:B<x>:USB:DATAMINUSTHRESHold <NR3>
BUS:B<x>:USB:DATAMINUSTHRESHold?

Arguments B<x> is the number of the bus waveform.
<NR3> is the Minus threshold.

Examples BUS:B1:USB:DATAMINUSTHRESHold 50.0e-3 sets the threshold to 50.0 mV.
BUS:B1:USB:DATAMINUSTHRESHold? might return
BUS:B1:USB:DATAMINUSTHRESHOLD 0.0E+0 indicating the threshold is set to 0.0 V.

BUS:B<x>:USB:DATAPLUSTHRESHold

This command sets or queries the USB D+ source threshold for the specified bus. The bus is specified by x.

Conditions Requires option SR-USB2.

Group Bus

Syntax BUS:B<x>:USB:DATAPLUSTHRESHold <NR3>
BUS:B<x>:USB:DATAPLUSTHRESHold?

Arguments B<x> is the number of the bus waveform.
<NR3> is the Plus threshold.

Examples `BUS:B1:USB:DATAPLUSTHRESHo1d 50.0e-3` sets the threshold to 50.0 mV.
`BUS:B1:USB:DATAPLUSTHRESHo1d?` might return
`BUS:B1:USB:DATAPLUSTHRESHOLD 0.0E+0` indicating the threshold is set to 0.0 V.

BUS:B<x>:USB:DISplaymode

This command sets or queries the USB bus packet view. The bus is specified by x.

Conditions Requires option SR-USB3.

Group Bus

Syntax `BUS:B<x>:USB:DISplaymode {ON|OFF}`
`BUS:B<x>:USB:DISplaymode?`

Arguments B<x> is the number of the bus waveform.
 ON sets the packet view for the decode to on.
 OFF sets the packet view for the decode to off.

Examples `BUS:B1:USB:DISplaymode OFF` sets the packet view to off.
`BUS:B1:USB:DISplaymode?` might return `BUS:B1:USB:DISplaymode OFF` indicating that packet view is set to off.

BUS:B<x>:USB:LOWTHRESHo1d

This command sets or queries the USB data source threshold for the specified bus when the signal type is differential. The bus is specified by x.

Conditions Requires option SR-USB2.

Group Bus

Syntax `BUS:B<x>:USB:LOWTHRESHo1d <NR3>`
`BUS:B<x>:USB:LOWTHRESHo1d?`

Arguments **B<x>** is the number of the bus waveform.
 <NR3> is the Low threshold.

Examples **BUS:B1:USB:LOWTHRESHo1d 50.0e-3** sets the threshold to 50.0 mV.
BUS:B1:USB:LOWTHRESHo1d? might return **BUS:B1:USB:LOWTHRESHOLD 0.0E+0** indicating the threshold is set to 0.0 V.

BUS:B<x>:USB:SIGNALTYpe

This command sets or queries the USB signal type for the specified bus. The bus is specified by *x*.

Conditions Requires option SR-USB2.

Group Bus

Syntax **BUS:B<x>:USB:SIGNALTYpe {SINGLE|DIFF}**
BUS:B<x>:USB:SIGNALTYpe?

Arguments **B<x>** is the number of the bus waveform.
 SINGLE specifies single-ended signals.
 DIFF specifies differential signals.

Examples **BUS:B1:USB:SIGNALTYpe SINGLE** specifies single-ended signals.
BUS:B1:USB:SIGNALTYpe? might return **BUS:B1:USB:SIGNALTYpe DIFF** indicating the signal type is differential.

BUS:B<x>:USB:SOUrce

This command sets or queries the USB data source when the signal type is differential for bus *x*. The bus number is specified by *x*.

Conditions Requires option SR-USB2.

Group Bus

Syntax `BUS:B<x>:USB:SOURce {CH<x>|MATH<x>|REF<x>}`
`BUS:B<x>:USB:SOURce?`

Related Commands [BUS:B<x>:USB:SOURce:DMINus](#)
[BUS:B<x>:USB:SOURce:DPLUs](#)

Arguments `B<x>` is the number of the bus waveform.
`CH<x>` specifies an analog channel as the data source for the specified USB bus.
`MATH<x>` specifies a math channel as the data source for the specified USB bus.
`REF<x>` specifies a reference waveform as the data source.

Examples `BUS:B1:USB:SOURCE D2` sets the USB data source for bus B1 to D2.
`BUS:B1:USB:SOURCE?` might return `BUS:B1:USB:SOURCE D3`, indicating that the USB data source for bus B1 is D3.

BUS:B<x>:USB:SOURce:DMINus

This command sets or queries the USB D- (SDATAMINUS) source for bus <x> when the signal type is single ended. The bus number is specified by x.

Conditions Requires option SR-USB2.

Group Bus

Syntax `BUS:B<x>:USB:SOURce:DMINus`
`{CH<x>|CH<x>_D<x>|MATH<x>|REF<x>|REF<x>_D<x>}`
`BUS:B<x>:USB:SOURce:DMINus?`

Related Commands [BUS:B<x>:USB:SOURce](#)
[BUS:B<x>:USB:SOURce:DPLUs](#)
[BUS:B<x>:USB:SIGNALTYpe](#)

Arguments `B<x>` is the number of the bus waveform.
`CH<x>` specifies an analog channel as the D- source for the specified USB bus.
`CH<x>_D<x>` specifies a digital channel as the D- source for the specified USB bus.

MATH<x> specifies a math channel as the D- source for the specified USB bus.

REF<x> specifies a reference waveform as the source

REF<x>_D<x> specifies a digital reference waveform as the clock source waveform for the specified USB bus.

Examples `BUS:B1:USB:SOURCE:DMINUS CH2` sets the USB Data Source for D- input to CH2.

`BUS:B1:USB:SOURCE:DMINUS?` might return `BUS:B1:USB:SOURCE:DMINUS CH4`, indicating that CH4 is set to be the D- input for USB data.

BUS:B<x>:USB:SOURce:DPLUs

This command sets or queries the USB dataPlus (SDATAPLUS) source for the specified bus when the signal type is single ended. The bus is specified by x.

Conditions Requires option SR-USB2.

Group Bus

Syntax `BUS:B<x>:USB:SOURce:DPLUS`
 `{CH<x> | CH<x>_D<x> | MATH<x> | REF<x> | REF<x>_D<x>}`
 `BUS:B<x>:USB:SOURce:DPLUS?`

Related Commands [BUS:B<x>:USB:SOURce](#)
 [BUS:B<x>:USB:SOURce:DMINus](#)
 [BUS:B<x>:USB:SIGNALTYpe](#)

Arguments `B<x>` is the number of the bus waveform.

`CH<x>` specifies an analog channel as the D+ source for the specified USB bus

`CH<x>_D<x>` specifies a digital channel as the D+ source for the specified USB bus

`MATH<x>` specifies a math channel as the D+ source for the specified USB bus.

`REF<x>` specifies a reference waveform as the source.

`REF<x>_D<x>` specifies a digital reference waveform as the clock source waveform for the specified USB bus.

Examples `BUS:B1:USB:SOURCE:DPLUS CH2` sets the USB Data Source for D+ input to CH2.

`BUS:B1:USB:SOURCE:DPLUS?` might return `BUS:B1:USB:SOURCE:DPLUS CH3`, indicating that CH3 is set to be the D+ input for USB data.

BUS:B<x>:USB:THRESHold

This command sets or queries the USB DATA source High threshold for the specified bus when the signal source is differential. The bus is specified by x.

Conditions Requires option SR-USB2.

Group Bus

Syntax `BUS:B<x>:USB:THRESHold <NR3>`
`BUS:B<x>:USB:THRESHold?`

Arguments B<x> is the number of the bus waveform.
 <NR3> is the USB DATA source High threshold for the specified bus.

Examples `BUS:B1:USB:THRESHold 50.0e-3` sets the threshold to 50.0 mV.
`BUS:B1:USB:THRESHold?` might return `BUS:B1:USB:THRESHOLD 0.0E+0` indicating the threshold is set to 0.0 V.

BUS:DELeTe (No Query Form)

This command deletes the specified bus.

Group Bus

Syntax `BUS:DELeTe <QString>`

Arguments <QString> specifies the bus to delete and is of the form "B<NR1>", where <NR1> is ≥1.

Examples `BUS:DELETE B1` deletes bus B1.

BUS:LIST? (Query Only)

This query returns a comma separated list of all currently defined buses.

Group	Bus
Syntax	BUS:LIST?
Returns	Returns all currently defined buses.
Examples	BUS:LIST? might return BUS:LIST B1,B4 indicating the bus 1 and bus 4 are defined.

BUSTABLE:ADDNew (No Query Form)

Adds the specified bus table. Argument is of the form "TABLE<NR1>", where <NR1> is ≥ 1).

Group	Bus
Syntax	BUSTABLE:ADDNew <QString>
Arguments	<QString> is a quoted string that is the name of the new bus table.
Examples	BUSTABLE:ADDNEW "Table1" adds bus table Table1.

BUSTABLE:DELEte (No Query Form)

Deletes the specified bus table. Argument is of the form "TABLE<NR1>", where <NR1> is ≥ 1).

Group	Bus
Syntax	BUSTABLE:DELEte <QString>
Arguments	<QString> is a quoted string that is the name of the bus table to delete.

Examples `BUSTABLE:DELETE "Table1"` deletes bus table Table1.

BUSTABLE:LIST? (Query Only)

This query lists all currently defined bus tables.

Group Bus

Syntax `BUSTABLE:LIST?`

Returns Returns a list of all currently defined bus tables.

Examples `BUSTABLE:LIST?` might return `BUSTABLE:LIST TABLE1` indicating TABLE1 is currently the only defined bus table.

BUSY? (Query Only)

This query-only command returns the status of the instrument. This command allows you to synchronize the operation of the instrument with your application program.

Group Status and Error

Syntax `BUSY?`

Related Commands [*OPC](#)
[*WAI](#)

Returns `<NR1> = 0` means that the instrument is not busy processing a command whose execution time is extensive.

`<NR1> = 1` means that the instrument is busy processing Commands that Generate an OPC Message(See Table 3-3.).

Examples `BUSY?` might return `BUSY 1`, indicating that the instrument is currently busy.

*CAL? (Query Only)

This query-only command starts signal path calibration (SPC) and returns the status upon completion.

NOTE. *When running SPC through the remote interface, calibration status cannot be obtained until after the SPC completes. SPC takes approximately 15 minutes per channel which means a total of 2 hours on an 8-channel model. Any remote command that performs an action on the instrument is also disabled until the SPC is complete.*

Group	Calibration
Syntax	*CAL?
Returns	0 indicates SPC passed. -1 indicates SPC failed or did not complete.
Examples	*CAL? starts the signal path calibration and returns the status upon completion.

CALibrate? (Query Only)

This query returns the status of signal path calibration.

NOTE. *When running SPC through the remote interface, calibration status cannot be obtained until after the SPC completes, which can take several minutes.*

Group	Calibration
Syntax	CALibrate?
Examples	CALIBRATE? might return CALIBRATE:INTERNAL:STATUS PASS, indicating the calibration status.

CALibrate:INTERNAL (No Query Form)

This command (no query form) starts the signal path calibration (SPC) of the instrument. You can use the [CALibrate:INTERNAL:STATUS?](#) query to return the current status of the signal path calibration of the instrument.

NOTE. *When running SPC through the remote interface, calibration status cannot be obtained until after the SPC completes. SPC takes approximately 15 minutes per channel which means a total of 2 hours on an 8-channel model. Any remote command that performs an action on the instrument is also disabled until the SPC is complete.*

Group Calibration

Syntax CALibrate:INTERNAL

Related Commands [CALibrate:INTERNAL:STATUS?](#)

Examples CALIBRATE:INTERNAL starts the signal path calibration of the instrument.

CALibrate:INTERNAL:START (No Query Form)

This command (no query form) starts the signal path calibration (SPC) of the analog channels. This command is the same as the [CALibrate:INTERNAL](#) command. You can use the [CALibrate:INTERNAL:STATUS?](#) query to return the current status of the signal path calibration of the instrument.

NOTE. *When running SPC through the remote interface, calibration status cannot be obtained until after the SPC completes. SPC takes approximately 15 minutes per channel which means a total of 2 hours on an 8-channel model. Any remote command that performs an action on the instrument is also disabled until the SPC is complete.*

Group Calibration

Syntax CALibrate:INTERNAL:START

Related Commands [CALibrate:INTERNAL:STATUS?](#)

Examples `CALIBRATE:INTERNAL:START` starts the signal path calibration.

CALibrate:INTERNAL:STATus? (Query Only)

This query-only command returns the current status of the signal path calibration.

NOTE. *When running SPC through the remote interface, calibration status cannot be obtained until after the SPC completes. SPC takes approximately 15 minutes per channel which means a total of 2 hours on an 8-channel model. Any remote command that performs an action on the instrument is also disabled until the SPC is complete.*

Group Calibration

Syntax `CALibrate:INTERNAL:STATus?`

Related Commands [*CAL?](#)

Returns This query will return one of the following:

- `INIT` indicates the instrument has not had signal path calibration run. The instrument may need to be readjusted at the Tektronix service center.
- `PASS` indicates that the signal path calibration completed successfully.
- `FAIL` indicates that the signal path calibration did not complete successfully.
- `TEMPDRIFT` indicates that a signal path calibration is recommended due to a temperature drift since the last signal path calibration. `TEMPDRIFT` is notified if the temperature shifts more than $\pm 4\text{C}$. This return only applies to 6 Series MSO instruments.
- `WARMUP` indicates that the instrument has been powered on for less than 20 minutes and has not reached a stable temperature yet. This return only applies to 6 Series MSO instruments.

Examples `CALIBRATE:INTERNAL:STATus?` might return `PASS`, indicating that the current status of the signal path calibration is that the signal path calibration completed successfully.

CALibrate:PWRUpstatus? (Query Only)

This query-only command returns the current status of the power-up calibration.

Group	Calibration
Syntax	CALibrate:PWRUpstatus?
Returns	This query will return one of the following: <ul style="list-style-type: none"> ■ 0 Indicating the power-up calibration failed. ■ 1 Indicating the power-up calibration passed.
Examples	CALIBRATE:PWRUPSTATUS? might return 0, indicating that the power-up calibration failed.

CALLOUTS:ADDNew (No Query Form)

This command adds the specified callout. A Note is the default callout type.

Group	Callouts
Syntax	CALLOUTS:ADDNew <QString>
Arguments	<QString> specifies the callout. The argument is of the form "CALLOUT<NR1>", where <NR1> is a number value ≥ 1 .
Examples	CALLOUTS:ADDNew "CALLOUT1" creates a new callout named CALLOUT1.

CALLOUTS:CALLOUT<x>:BOOKMark:SOURCE

This command sets or queries the source of the Bookmark callout type.

Group	Callouts
Syntax	CALLOUTS:CALLOUT<x>:BOOKMark:SOURCE CH<x> CALLOUTS:CALLOUT<x>:BOOKMark:SOURCE?
Arguments	CH1 specifies the bookmark callout source as a analog channel.

- Examples** `CALLOUTS:CALLOUT1:BOOKMark:SOURCE CH2` sets the bookmark callout source as Ch2 for callout1.
- `CALLOUTS:CALLOUT1:BOOKMark:SOURCE?`, might return "CH1", indicating that the bookmark callout source is Ch1.

CALLOUTS:CALLOUT<x>:BOOKMark:XPOS

This command sets or queries the X-Position of the Bookmark callout type.

- Group** Callouts
- Syntax** `CALLOUTS:CALLOUT<x>:BOOKMark:XPOS <NR1>`
`CALLOUTS:CALLOUT<x>:BOOKMark:XPOS?`
- Arguments** <NR1> specifies the location of the bookmark linked to the source waveform in X-axis.
- Examples** `CALLOUTS:CALLOUT1:BOOKMark:XPOS 9.28µs` sets the bookmark callout X-Position to 9.28 µs for callout1.
- `CALLOUTS:CALLOUT1:BOOKMark:XPOS?`, might return "9.28 µs", indicating the bookmark callout X-Position is 9.28 µs.

CALLOUTS:CALLOUT<x>:COLOR

This command sets or queries the text color of the callout.

- Group** Callouts
- Syntax** `CALLOUTS:CALLOUT<x>:COLOR <QString>`
`CALLOUTS:CALLOUT<x>:COLOR?`
- Arguments** <QString> specifies the callout text color using hexadecimal color values.
- Examples** `CALLOUTS:CALLOUT1:COLOR "#FF0000"` sets the text color of callout 1 to red.
- `CALLOUTS:CALLOUT1:COLOR?`, might return "#FF0000", indicating the text color is red.

CALLOUTS:CALLOUT<x>:DISPLAYPOSITION:X

This command sets or queries horizontal display position of the callout text.

Group	Callouts
Syntax	CALLOUTS:CALLOUT<x>:DISPLAYPOSITION:X <NR1> CALLOUTS:CALLOUT<x>:DISPLAYPOSITION:X?
Arguments	<NR1> specifies the callout horizontal display position.
Examples	CALLOUTS:CALLOUT1:DISPLAYPOSITION:X 50 sets the callout text in the center on the horizontal axis of the display on the scopeapp. CALLOUTS:CALLOUT1:DISPLAYPOSITION:X?, might return "50", indicating the callout text is in the center on the horizontal axis of the display on the scopeapp

CALLOUTS:CALLOUT<x>:DISPLAYPOSITION:Y

This command sets or queries vertical display position of the callout text.

Group	Callouts
Syntax	CALLOUTS:CALLOUT<x>:DISPLAYPOSITION:Y <NR1> CALLOUTS:CALLOUT<x>:DISPLAYPOSITION:Y?
Arguments	<NR1> specifies the callout vertical display position.
Examples	CALLOUTS:CALLOUT1:DISPLAYPOSITION:Y 50 sets the callout text in the center on the vertical axis of the display on the scopeapp. CALLOUTS:CALLOUT1:DISPLAYPOSITION:Y?, might return "50", indicating the callout text is in the center on the vertical axis of the display on the scopeapp

CALLOUTS:CALLOUT<x>:FONT:BOLD

This command sets or queries the bold state of the callout text.

Group	Callouts
--------------	----------

Syntax `CALLOUTS:CALLOUT<x>:FONT:BOLD {1|0}`
`CALLOUTS:CALLOUT<x>:FONT:BOLD?`

Arguments 1 specifies the callout font weight as bold.
0 specifies the callout font weight as normal.

Examples `CALLOUTS:CALLOUT1:FONT:BOLD 1` sets the font weight of callout1 to bold.
`CALLOUTS:CALLOUT1:FONT:BOLD?`, might return "0", indicating the font weight is set to normal.

CALLOUTS:CALLOUT<x>:FONT:ITALIC

This command sets or queries the italic state of the callout text.

Group Callouts

Syntax `CALLOUTS:CALLOUT<x>:FONT:ITALIC {1|0}`
`CALLOUTS:CALLOUT<x>:FONT:ITALIC?`

Arguments 1 specifies the callout font style as italic.
0 does not specify the font style as italic.

Examples `CALLOUTS:CALLOUT1:FONT:ITALIC 1` sets the font style of callout1 to italic.
`CALLOUTS:CALLOUT1:FONT:ITALIC?`, might return "0", indicating the font style is not italic.

CALLOUTS:CALLOUT<x>:FONT:SIZE

This command sets or queries the font size of the callout text.

Group Callouts

Syntax `CALLOUTS:CALLOUT<x>:FONT:SIZE <NR1>`
`CALLOUTS:CALLOUT<x>:FONT:SIZE?`

Arguments <NR1> specifies the font size in points.

- Examples** `CALLOUTS:CALLOUT1:FONT:SIZE 11` sets the font size of callout1 to 11 points.
- `CALLOUTS:CALLOUT1:FONT:SIZE?`, might return "14", indicating the font size is 14 points.

CALLOUTS:CALLOUT<x>:FONT:TYPE

This command sets or queries type of the callout.

- Group** Callouts
- Syntax** `CALLOUTS:CALLOUT<x>:FONT:TYPE <QString>`
`CALLOUTS:CALLOUT<x>:FONT:TYPE?`
- Arguments** `<QString>` specifies the type of font for the callout text. The available font types include: DejaVu Sans, DejaVu Sans Mono, DejaVu Serif, Frutiger LT Std, Monospace, Sans Serif, Serif, Ubuntu, Ubuntu Condensed, and Ubuntu Mono.
- Examples** `CALLOUTS:CALLOUT1:FONT:TYPE "Serif"` sets the font type of callout1 to serif.
- `CALLOUTS:CALLOUT1:FONT:TYPE?`, might return "Monospace", indicating the font type is monospace.

CALLOUTS:CALLOUT<x>:FONT:UNDERLine

This command sets or queries the underline state of the callout text.

- Group** Callouts
- Syntax** `CALLOUTS:CALLOUT<x>:FONT:UNDERLine {1|0}`
`CALLOUTS:CALLOUT<x>:FONT:UNDERLine?`
- Arguments** 1 underlines the callout text.
- 0 does not underline the callout text.
- Examples** `CALLOUTS:CALLOUT1:FONT:UNDERLine 1` displays the text of callout 1 as underlined.

CALLOUTS:CALLOUT1:FONT:UNDERLINE?, might return "0", indicating the callout text is not underlined.

CALLOUTS:CALLOUT<x>:TEXT

This command sets or queries the callout text.

Group	Callouts
Syntax	CALLOUTS:CALLOUT<x>:TEXT <QString> CALLOUTS:CALLOUT<x>:TEXT?
Arguments	<QString> specifies the callout text.
Examples	CALLOUTS:CALLOUT1:TEXT "Review measurements" sets the text for callout 1 as "Review measurements". CALLOUTS:CALLOUT1:TEXT?, might return "Review measurements", indicating the text for callout 1 is "Review measurements".

CALLOUTS:CALLOUT<x>:TYPE

This command sets or queries type of the callout.

Group	Callouts
Syntax	CALLOUTS:CALLOUT<x>:TYPE {NOTE ARROW RECTANGLE BOOKMARK} CALLOUTS:CALLOUT<x>:TYPE?
Arguments	NOTE specifies callout type as note. ARROW specifies callout type as arrow. RECTANGLE specifies callout type as rectangle. BOOKMARK specifies callout type as bookmark.
Examples	CALLOUTS:CALLOUT1:TYPE NOTE sets the callout type of callout1 to note. CALLOUTS:CALLOUT1:TYPE?, might return "ARROW", indicating the callout type is arrow.

CALLOUTS:DELeTe (No Query Form)

This command deletes the specified callout. A Note is the default callout type.

Group	Callouts
Syntax	CALLOUTS:DELeTe <QString>
Arguments	<QString> specifies the callout. The argument is of the form "CALLOUT<NR1>", where <NR1> is a number value ≥ 1 .
Examples	CALLOUTS:DELeTe "CALLOUT1" deletes the callout named CALLOUT1.

CH<x>? (Query Only)

This query-only command returns the vertical parameters for the specified channel. The channel is specified by x.

Group	Vertical
Syntax	CH<x>?
Examples	CH1? might return the following vertical parameters for channel 1: "N/A"; "N/A"; PASSED; 600.0000; DEFAULT; "V"; 100.0000E-3; 0; 0; 10.0000E+6; D

CH<x>:BANdwidth

This command sets or queries the selectable low-pass bandwidth limit filter of the specified channel. The channel is specified by x.

The query form of this command always returns the approximate realized bandwidth of the channel.

Available arguments depend upon the instrument and the attached accessories.

Group	Vertical
Syntax	CH<x>:BANdwidth {<NR3> FUL1} CH<x>:BANdwidth?

Arguments	<p>CH<x> is the channel number.</p> <p><NR3> is the desired bandwidth. The instrument rounds this value to an available bandwidth using geometric rounding and then uses this value to set the upper bandwidth.</p> <p>FULL disables any optional bandwidth limiting. The specified channel operates at its maximum bandwidth.</p>
Examples	<p>CH1: BANDWIDTH 20 sets the bandwidth of Channel 1 to 20 MHz.</p> <p>CH2: BANDWIDTH?, might return :CH2: BANDWIDTH 500.0000E+06, indicating that there is bandwidth limiting on Channel 2.</p>

CH<x>:BANDwidth:FILTer:OPTIMIZatiOn

This command sets or queries the channel filter shape. The channel is specified by x.

Conditions	Only available on 6 Series MSO instruments.
Group	Vertical
Syntax	<pre>CH<x>:BANDwidth:FILTer:OPTIMIZatiOn {STEPRESPONSE FLATNESS} CH<x>:BANDwidth:FILTer:OPTIMIZatiOn?</pre>
Arguments	<p>CH<x> is the channel number.</p> <p>STEPRESPONSE sets a Bessel-Thompson filter that minimizes overshoot with a gradual rolloff.</p> <p>FLATNESS sets selects a brick-wall filter optimized for flatness within band with a sharp rolloff. Flatness filtering is not compatible with Peak Detect and Envelope acquisition modes..</p>
Examples	<p>CH1: BANDwidth: FILTer: OPTIMIZatiOn FLATNESS sets channel 1 filter shape to Flatness.</p> <p>CH1: BANDwidth: FILTer: OPTIMIZatiOn?, might return :CH1: BANDwidth: FILTer: OPTIMIZatiOn FLATNESS, indicating that the filter shape is Flatness for channel 2.</p>

CH<x>:CLIPping? (Query Only)

Queries whether the specified channel's input signal is clipping (exceeding) the channel A/D converter range. The channel is specified by x.

Group Vertical

Syntax CH<x>:CLIPping?

Related Commands [CH<x>:SCAlE](#)
[CH<x>:POSition](#)

Returns This query will return one of the following:
0 indicates the channel is not clipping.
1 indicates the channel is clipping.

Examples CH4:CLIPping? might return CH4:CLIPping? 1, indicating that the input signal range is exceeding (clipping) the channel 4 A/D converter range.

CH<x>:COUPLing

This command sets or queries the input coupling setting for the specified analog channel. The channel is specified by x. The available arguments depend on the attached accessories.

Group Vertical

Syntax CH<x>:COUPLing {AC|DC|DCR}
CH<x>:COUPLing?

Arguments CH<x> is the channel number.
AC sets the specified channel to AC coupling.
DC sets the specified channel to DC coupling.
DCR sets DC Reject coupling when probes are attached that support that feature.

Examples CH2:COUPLING AC sets Channel 2 coupling to AC.
CH3:COUPLING? might return :CH3:COUPLING DC, indicating that Channel 3 is set to DC coupling.

CH<x>:DESKew

This command sets or queries the horizontal deskew time for the specified channel. The channel is specified by x.

Group Vertical

Syntax CH<x>:DESKew <NR3>
CH<x>:DESKew?

Arguments CH<x> is the channel number.
<NR3> is the deskew time for this channel, ranging from -125 ns to +125 ns with a resolution of 40 ps. Out-of-range values are clipped.

Examples CH4:DESKEW 5.0E-9 sets the deskew time for Channel 4 to 5 ns.
CH2:DESKEW? might return CH2:DESKEW 2.0000E-09, indicating that the deskew time for Channel 2 is set to 2 ns.

CH<x>:DITHERrange

This command sets or returns the amount of dithering for the specified analog channel. The channel is specified by x. The amount of dithering is a percentage of full scale (10 times volts/division).

Note: Setting this value to 0.0 for any unused channels may slightly improve performance.

Group Vertical

Syntax CH<x>:DITHERrange <NR3>

Arguments <NR3> is the amount of dithering as a percentage of full scale. Must be between 0.0 and 100.0 and 0.0 disables dithering.

Examples CH1:DITHerRange 10 sets the amount of dithering as a percentage of full scale to 10.

CH1:DITHerRange? might return CH1:DITHerRange 10, which if vertical scale is 1V/div then the dithering amplitude will be 1 Vpk-pk.

CH<x>:INVert

This command sets or queries invert state of the specified channel. The channel is specified by x.

Group Vertical

Syntax CH<x>:INVert {ON|OFF|<NR1>}
CH<x>:INVert?

Arguments OFF turns off the channel invert.
ON turns on the channel invert.
<NR1> 0 turns off the channel invert; any other value turns on the channel invert.

Examples CH2:INVert OFF turns off the invert on channel 2.
CH2:INVert? might return CH2:INVert 1, indicating channel 2 is inverted.

CH<x>:LABel:COLor

This command sets or queries the color of the specified channel label. The channel is specified by x.

Group Vertical

Syntax CH<x>:LABel:COLor <QString>

Arguments CH<x> is the channel number.
<QString> is the label color. To return the color to the default color, send an empty string as in this example: CH5:LABel:COLOR "".

Examples CH2:LABe1:COLor "#FFFF00" sets the label color to yellow.
CH2:LABe1:COLor? might return CH2:LABEL:COLOR "#FF0000" indicating the color is red.

CH<x>:LABe1:FONT:BOLD

This command sets or queries the bold state of the specified channel label. The channel is specified by x.

Group Vertical

Syntax CH<x>:LABe1:FONT:BOLD {ON|OFF|<NR1>}

Arguments CH<x> is the channel number.
OFF argument turns off bold font.
ON argument turns on bold font.
<NR1> = 0 turns off bold font; any other value turns on bold font.

Examples CH2:LABe1:FONT:BOLD OFF turns off the bold font.
CH2:LABe1:FONT:BOLD? might return CH2:LABEL:FONT:BOLD 1 indicating a bold font.

CH<x>:LABe1:FONT:ITALic

This command sets or queries the italic state of the specified channel label. The channel is specified by x.

Group Vertical

Syntax CH<x>:LABe1:FONT:ITALic {ON|OFF|<NR1>}

Arguments CH<x> is the channel number.
OFF argument turns off italic font.
ON argument turns on italic font.
<NR1> = 0 turns off italic font; any other value turns on italic font.

Examples CH2:LABe1:FONT:ITALiC ON set the font to italic.
 CH2:LABe1:FONT:ITALiC? might return CH2:LABEL:FONT:ITALIC 0 indicating the font is not italic.

CH<x>:LABe1:FONT:SIZE

This command sets or queries the font size of the specified channel label. The channel is specified by x.

Group Vertical

Syntax CH<x>:LABe1:FONT:SIZE <NR1>

Arguments CH<x> is the channel number.
 <NR1> is the font size.

Examples CH2:LABe1:FONT:SIZE 16 sets the font size to 16 point size.
 CH2:LABe1:FONT:SIZE? might return CH2:LABEL:FONT:SIZE 20 indicating a 20 point font size.

CH<x>:LABe1:FONT:TYPE

This command sets or queries the font type of the specified channel label, such as Arial or Times New Roman. The channel is specified by x.

Group Vertical

Syntax CH<x>:LABe1:FONT:TYPE <QString>

Arguments CH<x> is the channel number.
 <QString> is the specified font type.

Examples CH2:LABe1:FONT:TYPE "Monospace" sets the font to a mono space font.
 CH2:LABe1:FONT:TYPE? might return CH2:LABEL:FONT:TYPE "Frutiger LT Std 55 Roman".

CH<x>:LABel:FONT:UNDERline

This command sets or queries the underline state of the specified channel label. The channel is specified by x.

Group	Vertical
Syntax	CH<x>:LABel:FONT:UNDERline {ON OFF <NR1>}
Arguments	<p>CH<x> is the channel number.</p> <p>OFF argument turns off underlined font.</p> <p>ON argument turns on underlined font.</p> <p><NR1> = 0 turns off underlined font; any other value turns on underlined font.</p>
Examples	<p>CH2:LABel:FONT:UNDERline ON sets the font to underlined.</p> <p>CH2:LABel:FONT:UNDERline? might return CH2:LABEL:FONT:UNDERLINE 0 indicating the font is not underlined.</p>

CH<x>:LABel:NAME

This command sets or queries the label attached to the displayed waveform for the specified channel. The channel is specified by x.

Group	Vertical
Syntax	<p>CH<x>:LABel:NAME <QString></p> <p>CH<x>:LABel:NAME?</p>
Arguments	<p>CH<x> is the channel number.</p> <p><QString> is an alphanumeric character string, ranging from 1 through 32 characters in length.</p>
Examples	<p>CH2:LABEL:NAME "Pressure" changes the waveform label for the Channel 2 waveform to "Pressure".</p> <p>CH3:LABEL:NAME? might return CH3:LABEL:NAME "Force", indicating that the waveform label for the Channel 3 waveform is "Force".</p>

CH<x>:LABel:XPOS

This command sets or queries the X-position of the specified channel label. The channel is specified by x.

Group	Vertical
Syntax	CH<x>:LABel:XPOS <NR3> CH<x>:LABel:XPOS?
Arguments	CH<x> is the channel number. <NR3> is the location (in pixels) where the waveform label for the selected channel is displayed, relative to the left edge of the screen.
Examples	CH3:LABEL:XPOS 5 moves the waveform label for Channel 3 so that it begins 5 pixels to the right of the left edge of the screen. CH2:LABEL:XPOS? might return CH2:LABEL:XPOS 5, indicating that the waveform label for the Channel 2 currently 5 pixels to the right of the left edge of the screen.

CH<x>:LABel:YPOS

This command sets or queries the Y-position of the specified channel label. The channel is specified by x.

Group	Vertical
Syntax	CH<x>:LABel:YPOS <NR3> CH<x>:LABel:YPOS?
Arguments	CH<x> is the channel number. <NR3> is the location (in pixels) where the waveform label for the selected channel is displayed, relative to the baseline of the waveform. Positive values are above the baseline and negative values are below.
Examples	CH3:LABel:YPOS -20 moves the waveform label for the Channel 3 20 pixels below the baseline of the waveform.

CH2:LABEL:YPOS? might return CH2:LABEL:YPOS 0, indicating that the waveform label for the Channel 2 is currently located at the baseline of the waveform.

CH<x>:OFFSet

This command sets or queries the vertical offset for the specified analog channel.

Group	Vertical
Syntax	CH<x>:OFFSet <NR3> CH<x>:OFFSet?
Arguments	CH<x> is the channel number. <NR3> is the offset value for the specified channel.
Examples	CH3:OFFSET 2.0E-3 sets the offset for Channel 3 to 2 mV. CH4:OFFSET? might return :CH4:OFFSET 1.0000E-03, indicating that the offset for Channel 4 is set to 1 mV.

CH<x>:POSition

This command sets or queries the vertical position for the specified analog channel.

Group	Vertical
Syntax	CH<x>:POSition <NR1>
Arguments	CH<x> is the channel number. <NR1> is the vertical position for the specified analog channel.
Examples	CH2:POSition -2.0 sets the position to -2 divisions. CH2:POSition? might return CH2:POSITION -2.2400 indicating the position is -2.24 divisions.

CH<x>:PRObe? (Query Only)

This query-only command returns all information concerning the probe that is attached to the specified channel. The channel is specified by x.

Group Vertical

Syntax CH<x>:PRObe?

Related Commands [CH<x>:PROBECal?](#)

Examples CH2:PROBE? might return CH2:PROBE:GAIN 1.0000E-01; RESISTANCE 1.0000E+07;UNITS "V";ID:TYPE "10X"'SERNUMBER "N/A" for a 10X probe, indicating that (among other parameters) the attenuation factor for the probe attached to Channel 2 is 100.0 mV (assuming that probe units are set to volts).

CH<x>:PRObe:AUTOZero (No Query Form)

This command executes the attached probe's Auto Zero function, for probes that support this feature. See your probe documentation for more details. The channel is specified by x.

Group Vertical

Syntax CH<x>:PRObe:AUTOZero EXECute

Arguments CH<x> is the channel number.

EXECute sets the probe attached to the specified channel to autozero.

Examples CH1:PROBE:AUTOZERO EXECUTE sets the probe attached to the Channel 1 to autozero.

CH<x>:PRObe:COMPensate (No Query Form)

This command starts the probe compensation procedure for passive probes. The channel is specified by x.

Group Vertical

Syntax CH<x>:PRObe:COMPensate

Examples CH1:PRObe:COMPensate starts probe compensation for passive probes (TPP).

CH<x>:PRObe:DEGAUSS (No Query Form)

This command starts a degauss cycle of the TekVPI probe attached to the specified channel. The channel is specified by x.

Group Vertical

Syntax CH<x>:PRObe:DEGAUSS EXECute

Arguments CH<x> is the channel number.
EXECute starts the degauss cycle.

Examples CH1:PRObe:DEGAUSS EXECUTE causes the probe attached to Channel 1 to degauss.

CH<x>:PRObe:DEGAUSS:STATE? (Query Only)

This command queries whether the probe attached to the specified channel requires a degauss operation. The channel is specified by x.

Group Vertical

Syntax CH<x>:PRObe:DEGAUSS:STATE?

Returns Required indicates the probe should be degaussed before taking measurements.
Recommended indicates the measurement accuracy might be improved by degaussing the probe.
Passed indicates the probe is degaussed.
Failed indicates the degauss operation failed.
Inprocess indicates the probe degauss operation is currently in progress.

Examples CH2:PROBE:DEGAUSS:STATE? might return CH2:PROBE:DEGAUSS:STATE PASSED, indicating that the probe attached to the Channel 2 is degaussed.

CH<x>:PRObe:FORCEDRange

This command sets the attached TekVPI probe to the specified range, or it queries the range of the probe attached to the specified channel. If the <NR3> argument does not match one of the available ranges, the closest range will be selected. The channel is specified by x.

Group Vertical

Syntax CH<x>:PRObe:FORCEDRange <NR3>
CH<x>:PRObe:FORCEDRange?

Arguments CH<x> is the channel number.
<NR3> specifies the probe dynamic range.

Examples If a TCP0030 current probe is attached to the Channel 1 input,
CH1:PROBE:FORCEDRANGE 5.0 sets the attached probe to its 5 Ampere range.
CH1:PROBE:FORCEDRANGE 15 sets the attached probe to its 5 Ampere range.
CH1:PROBE:FORCEDRANGE 20 sets the attached probe to its 30 Ampere range.

CH3:PROBE:FORCEDRANGE? might return CH1:PROBE:FORCEDRANGE 30.0000, indicating that the range of the probe attached to the Channel 3 is set to 30 Amperes.

CH<x>:PRObe:GAIN? (Query Only)

This query-only command returns the gain factor of the probe that is attached to the specified channel. The channel is specified by x. The gain of a probe is the output divided by the input transfer ratio. For example, a common 10x probe has a gain of 0.1.

Group Vertical

Syntax CH<x>:PRObe:GAIN?

Examples CH2:PROBE:GAIN? might return CH2:PROBE:GAIN 100.0000E-3, indicating that the attached 10X probe delivers 0.1 V to the Channel 2 BNC for every 1.0 V applied to the probe input.

CH<x>:PRObe:ID? (Query Only)

This query-only command returns the type and serial number of the probe that is attached to the specified channel. The channel is specified by x.

Group Vertical

Syntax CH<x>:PRObe:ID?

Examples CH2:PROBE:ID? might return CH2:PROBE:ID:TYPE "10X";SERNUMBER "N/A", indicating that a passive 10X probe of unknown serial number is attached to Channel 2.

CH<x>:PRObe:ID:SERnumber? (Query Only)

This query-only command returns the serial number of the probe that is attached to the specified channel. The channel is specified by x.

NOTE. For Level 0 and 1 probes, the serial number will be "N/A".

Group Vertical

Syntax CH<x>:PRObe:ID:SERnumber?

Examples CH1:PROBE:ID:SERNUMBER? might return CH1:PROBE:ID:SERNUMBER "B010289", indicating that the serial number of the probe attached to Channel 1 is B010289.

CH<x>:PRObe:ID:TYPE? (Query Only)

This query-only command returns the type of probe that is attached to the specified channel. The channel is specified by x.

Group Vertical

Syntax CH<x>:PRObe:ID:TYPE?

Examples CH1:PROBE:ID:TYPE? might return CH1:PROBE:ID:TYPE "TCP0030", indicating that a TCP0030 current probe is attached to Channel 1.

CH<x>:PRObe:INPUTMode

Sets or queries the input mode of the probe that is attached to the specified channel.

Conditions Requires a probe with dual inputs.

Group Vertical

Syntax CH<x>:PRObe:INPUTMode {A|B|COMMONMODE|DIFFERENTIAL}
CH<x>:PRObe:INPUTMode?

Arguments CH<x> is the channel number.

A sets the probe to send single-ended A signals to the instrument.

B sets the probe to send single-ended B signals to the instrument.

COMMONMODE sets the probe to send common-mode signals to the instrument.

DIFFERENTIAL sets the probe to send differential signals to the instrument.

Examples CH8:PROBE:INPUTMODE COMMONMODE sets the probe input type to send common mode signals to channel 8.

CH6:PROBE:INPUTMODE? might return CH6:PROBE:INPUTMODE A, indicating that the input mode of the probe that is attached to the Channel 6 is set to single ended A signals.

CH<x>:PRObe:INPUTMode:AOffset

Sets or queries the A mode offset control of the probe that is attached to the specified channel.

Conditions Requires a probe with dual inputs.

Group Vertical

Syntax CH<x>:PRObe:INPUTMode:AOFFSet <NR3>
CH<x>:PRObe:INPUTMode:AOFFSet?

Arguments CH<x> is the channel number.
<NR3> sets the A mode offset value, in vertical units (V or A).

Examples CH2:PROBE:INPUTMODE:AOFFSET 5.0 sets the A mode offset control value of the probe that is attached to the Channel 2 to 5.
CH1:PROBE:INPUTMODE:AOFFSET? might return
CH1:PROBE:INPUTMODE:AOFFSET? 0.0000, indicating that the A mode offset value of the probe that is attached to the channel 1 is set to 0.0.

CH<x>:PRObe:INPUTMode:BOFFSet

Sets or queries the B mode offset control of the probe that is attached to the specified channel.

Conditions Requires a probe with dual inputs.

Group Vertical

Syntax CH<x>:PRObe:INPUTMode:BOFFSet <NR3>
CH<x>:PRObe:INPUTMode:BOFFSet?

Arguments CH<x> is the channel number.
<NR3> sets the B mode offset value, in vertical units (V or A).

Examples CH2:PROBE:INPUTMODE:BOFFSET 5.0 sets the B mode offset value of the probe that is attached to the Channel 2 to 5.
CH5:PROBE:INPUTMODE:BOFFSET? might return
CH5:PROBE:INPUTMODE:BOFFSET? 1.2500, indicating that the B mode offset value of the probe that is attached to the channel 5 is set to 1.25.

CH<x>:PRObe:INPUTMode:COFFSet

Sets or queries the common mode offset value of the probe that is attached to the specified channel.

Conditions	Requires a probe with dual inputs.
Group	Vertical
Syntax	CH<x>:PRObe:INPUTMode:COFFSet <NR3> CH<x>:PRObe:INPUTMode:COFFSet?
Arguments	CH<x> is the channel number. <NR3> sets the C (common) mode offset value, in vertical units (V or A).
Examples	CH7:PROBE:INPUTMODE:COFFSET 3.2 sets the C mode offset value of the probe that is attached to the Channel 7 to 3.2. CH5:PROBE:INPUTMODE:COFFSET? might return CH5:PROBE:INPUTMODE:COFFSET? 1.0250, indicating that the C mode offset value of the probe that is attached to the channel 5 is set to 1.025.

CH<x>:PRObe:INPUTMode:DOFFSet

Sets or queries the differential offset value of the probe that is attached to the specified channel.

Conditions	Requires a probe with dual inputs.
Group	Vertical
Syntax	CH<x>:PRObe:INPUTMode:DOFFSet <NR3> CH<x>:PRObe:INPUTMode:DOFFSet?
Arguments	CH<x> is the channel number. <NR3> sets the D (differential) mode offset value, in vertical units (V or A).
Examples	CH7:PROBE:INPUTMODE:DOFFSET 3.2 sets the D mode offset value of the probe that is attached to the Channel 7 to 3.2. CH5:PROBE:INPUTMODE:DOFFSET? might return CH5:PROBE:INPUTMODE:DOFFSET? 1.0250, indicating that the D mode offset value of the probe that is attached to the channel 5 is set to 1.025.

CH<x>:PRObe:RESistance? (Query Only)

This query-only command returns the resistance of the probe that is attached to the specified channel. The channel is specified by x.

Group	Vertical
Syntax	CH<x>:PRObe:RESistance?
Examples	CH2:PROBE:RESISTANCE? might return :CH2:PROBE:RESISTANCE 1.0000E+06, indicating that the input resistance of the probe attached to Channel 2 is 1 M Ω .

CH<x>:PRObe:SELFCal (No Query Form)

This command initiates self-calibration on the probe. The channel is specified by x.

Group	Vertical
Syntax	CH<x>:PRObe:SELFCal EXECUTE
Examples	CH1:PRObe:SELFCal EXECUTE runs self-calibration on the Channel 1 probe.

CH<x>:PRObe:SELFCal:State? (Query Only)

This query-only command returns the self-calibration state. The channel is specified by x.

Group	Vertical
Syntax	CH<x>:PRObe:SELFCal:State? EXECUTE
Returns	This query returns the self-calibration state of RECOMMENDED, RUNNING, or PASSED.

Examples CH1:PRObe:SELFCal:State? might return :CH1:PRObe:SELFCal:State RUNNING, indicating that the Channel 1 probe is currently running a self-calibration.

CH<x>:PRObe:SET

This command sets or queries aspects of probe accessory user interfaces, for example probe attenuation factors or probe audible over range. The available arguments for this command will vary depending on the accessory you attach to the instrument. The channel is specified by x.

Group Vertical

Syntax CH<x>:PRObe:SET <QString>
CH<x>:PRObe:SET?

Arguments CH<x> is the channel number.

<QString> is a quoted string representing a settable aspect of the attached accessory.

Examples CH6:PRObe:SET "ATTENUATION 10X" sets the probe to 10X attenuation.

CH6:PRObe:SET? might return CH6:PROBE:SET "ATTENUATION 25X" indicating that the probe is set to the selection for 25X attenuation.

CH<x>:PRObe:STATUs? (Query Only)

Queries the probe unsigned integer error value.

Conditions Requires a probe that supports the relevant error messages.

Group Vertical

Syntax CH<x>:PRObe:STATUs?

Returns Returns an integer number that represents the sum total of binary error bits B0 – B15. The error bits are not displayed; they are concatenated into the integer value. The following is a list of the error for each bit.

- B0 – Probe disabled
- B1 – Jaws open
- B2 – Over range
- B3 – Probe temperature out of limits
- B4 – Degauss needed
- B5 – Probe tip missing
- B6 – Probe tip failed
- B7 – Probe tip not supported
- B8 through B15 – Reserved

Examples CH4:PROBE:STATUS? might return CH4:PROBE:STATUS 0, indicating that the probe is not reporting any errors.

CH4:PROBE:STATUS? might return CH4:PROBE:STATUS 20, indicating that the probe is reporting an over range error and a Degauss needed error.

CH4:PROBE:STATUS? might return CH4:PROBE:STATUS 2, indicating that the probe is reporting an open jaws error.

CH<x>:PRObe:UNIts? (Query Only)

This query-only command returns a string describing the units of measure for the probe attached to the specified channel. The channel is specified by x.

Group Vertical

Syntax CH<x>:PRObe:UNIts?

Related Commands [CH<x>:PROBEFunc:EXTUnits](#)

Examples CH4:PROBE:UNITS? might return :CH4:PROBE:UNITS "V", indicating that the units of measure for the probe attached to Channel 4 are volts.

CH<x>:PROBECal? (Query Only)

This query-only command returns the probe calibration state for the specified channel. The channel is specified by x.

Group	Vertical
Syntax	CH<x>:PROBECAL?
Returns	This query will return one of the following: <ul style="list-style-type: none"> ■ Failed signifies that the probe calibration has failed for the selected channel. ■ Default signifies that the probe calibration has not yet been run for the selected channel. ■ Passed signifies the probe calibration has passed for the selected channel. ■ Running signifies the probe calibration is running.
Examples	CH2:PROBECAL? might return CH2:PROBECAL PASSED indicating that the probe calibration has passed for Channel 2.

CH<x>:PROBECOntrol

This command sets or queries multirange probe range-control policy preference of the probe that is attached to CH<x>. The channel number is specified by x.

Group	Vertical
Syntax	CH<x>:PROBECOntrol {AUTO MANual} CH<x>:PROBECOntrol?
Arguments	CH<x> is the channel number. AUTO sets the values. The probe range is automatically calculated. MANual allows you to select various valid values for the probe connected to a particular channel.
Examples	CH2:PROBECONTROL AUTO sets the values and the probe range is automatically calculated. CH2:PROBECONTROL? might return CH2:PROBECONTROL MANUAL indicating that you can select various valid values for the probe connected to channel 2.

CH<x>:PROBEFunc:EXTAtten

This command is used to specify the attenuation value as a multiplier to the given scale factor on the specified channel. The channel is specified by x.

The query form of this command returns the user-specified attenuation.

Group Vertical

Syntax CH<x>:PROBEFunc:EXTAtten <NR3>
CH<x>:PROBEFunc:EXTAtten?

Related Commands [CH<x>:PROBEFunc:EXTDBatten](#)

Arguments CH<x> is the channel number.

<NR3> is the attenuation value, which is specified as a multiplier in the range from 1.00E-10 to 1.00E+10.

Examples CH1:PROBEFunc:EXTATTEN 167.00E-3 specifies an external attenuation, which is connected between the your input signal and the input of the probe attached to Channel 1.

CH2:PROBEFunc:EXTATTEN? might return CH2:PROBEFunc:EXTATTEN 1.0000E+00, indicating that the probe attached to Channel 2 is connected directly to the user's signal.

CH<x>:PROBEFunc:EXTDBatten

This command sets or queries the input-output ratio (expressed in decibel units) of external attenuation or gain between the signal and the instrument input channels. The channel is specified by x.

The query form of this command returns the user-specified attenuation in decibels.

Group Vertical

Syntax CH<x>:PROBEFunc:EXTDBatten <NR3>
CH<x>:PROBEFunc:EXTDBatten?

Related Commands [CH<x>:PROBEFunc:EXTAtten](#)

Arguments	<p>CH<x> is the channel number.</p> <p><NR3> is the attenuation value, which is specified in the range from -200.00 dB to 200.00 dB.</p>
Examples	<p>CH3:PROBEFUNC:EXTDBATTEN 2.5 specifies an external 2.5 dB attenuator on Channel 3.</p> <p>CH1:PROBEFUNC:EXTDBATTEN? might return CH1:PROBEFUNC:EXTDBATTEEN 2.5000E+00, indicating that the attenuation for Channel 1 is 2.5 dB.</p>

CH<x>:PROBEFunc:EXTUnits

This command sets the unit of measurement for the external attenuator of the specified channel. The channel is specified by x. The alternate units are used if they are enabled. Use the [CH<x>:PROBEFunc:EXTUnits:STATE](#) command to enable or disable the alternate units.

Group	Vertical
Syntax	<p>CH<x>:PROBEFunc:EXTUnits <QString> CH<x>:PROBEFunc:EXTUnits?</p>
Related Commands	CH<x>:PRObe:UNIts?
Arguments	<p>CH<x> is the channel number.</p> <p><QString> indicates the attenuation unit of measurement for the specified channel.</p>
Examples	<p>CH4:PROBEFUNC:EXTUNITS "Pascals" sets the unit of measurement for the Channel 4 external attenuator.</p> <p>CH2:PROBEFUNC:EXTUNITS? might return :CH2:PROBEFUNC:EXTUNITS "Pascals", indicating that the Channel 2 external attenuator units of measurement are Pascals.</p>

CH<x>:PROBEFunc:EXTUnits:STATE

This command sets or queries the custom units enable state for the specified channel. The channel is specified by x.

Group	Vertical
Syntax	CH<x>:PROBEFunc:EXTUnits:STATE {ON OFF <NR1>}
Arguments	CH<x> is the channel number. OFF argument turns off external units. ON argument turns on external units. <NR1> = 0 turns off external units; any other value turns on external units.
Examples	CH2:PROBEFunc:EXTUnits:STATE ON turns on external units. CH2:PROBEFunc:EXTUnits:STATE? might return CH2:PROBEFunc:EXTUnits:STATE 0 indicating that external units are off for the specified channel.

CH<x>:PROBETYPE? (Query Only)

This command returns the probe type connected to the specified channel. The channel is specified by x.

Group	Vertical
Syntax	CH<x>:PROBETYPE?
Returns	The probe type value returns analog or digital.
Examples	CH1:PROBETYPE? might return :CH1:PROBETYPE ANALOG, indicating the probe type for channel 1 is analog.

CH<x>:SCALE

This command sets or returns the vertical scale for the specified analog channel. The channel is specified by x.

Group	Vertical
Syntax	CH<x>:SCALE <NR3>

Arguments CH<x> is the channel number.
 <NR3> is the vertical scale for the specified analog channel.

Examples CH2:SCALE 200E-3 sets the scale to 200 mV per division.
 CH2:SCALE? might return CH2:SCALE 500.0000E-3 indicating the vertical scale for the specified channel is 500 mV per division.

CH<x>:SCALERATIo

This command sets or returns the scale ratio for the specified analog channel.

Group Vertical

Syntax CH<x>:SCALERATIo <NR2>
 CH<x>:SCALERATIo?

Arguments CH<x> is the channel number.
 <NR2> is the scale ratio for the specified analog channel.

Examples CH2:SCALERATIo 2.0 sets the scale ratio to 2.0.
 CH2:SCALERATIo? might return CH2:SCALERATIO 1.0000 indicating the scale ratio is 1.0.

CH<x>:SV:CENTERFrequency

This command sets or queries the center frequency of the specified spectrum trace channel for Spectrum View.

Group Spectrum View

Syntax CH<x>:SV:CENTERFrequency <NR3>
 CH<x>:SV:CENTERFrequency?

Related Commands [SV:LOCKCenter](#)

Arguments	<p>CH<x> specifies the spectrum trace channel source.</p> <p><NR3> specifies the spectrum trace center frequency for the specified channel, in hertz. The range of values is 0.0 to the maximum licensed bandwidth of the instrument.</p>
Examples	<p>CH4:SV:CENTERFrequency 3.0E+06 sets the center frequency of the channel 4 spectrum trace to 3 MHz.</p> <p>CH2:SV:CENTERFrequency? might return 1.0E+07, indicating that the center frequency of the channel 2 spectrum trace is set to 10 MHz.</p>

CH<x>:SV:POSition

This command sets or queries the Spectrum Time setting of the specified spectrum trace channel in the Spectrum View.

Group	Spectrum View
Syntax	<p>CH<x>:SV:POSition <NR3></p> <p>CH<x>:SV:POSition?</p>
Related Commands	SV:LOCKpectrum
Arguments	<p>CH<x> specifies the spectrum trace channel source.</p> <p><NR3> specifies the spectrum time location, as a percentage of the record length. The range of values is 0.0% to 100%.</p>
Examples	<p>CH6:SV:POSition 25 sets the channel 6 spectrum trace spectrum time value to 25%.</p> <p>CH1:SV:POSition? might return 74.0, indicating that the spectrum time value of the channel 1 spectrum trace is set to 74%.</p>

CH<x>:SV:SPANABovebw? (Query Only)

This command queries whether the stop frequency for the specified spectrum trace channel is above the scope input bandwidth.

Group	Spectrum View
--------------	---------------

Syntax	CH<x>:SV:SPANABovebw?
Arguments	CH<x> specifies the spectrum trace channel source.
Returns	0 specifies the stop frequency is not above the scope bandwidth. 1 specifies the stop frequency is above the scope bandwidth.
Examples	CH3:SV:SPANABovebw? might return 0, indicating the stop frequency is not above the scope bandwidth.

CH<x>:SV:SPANBELowdc? (Query Only)

This command queries whether the start frequency for the specified spectrum trace channel is below 0 Hz.

Group	Spectrum View
Syntax	CH<x>:SV:SPANBELowdc?
Arguments	CH<x> specifies the spectrum trace channel source.
Returns	0 specifies the start frequency is not below 0 Hz. 1 specifies the start frequency is below 0 Hz.
Examples	CH<x>:SV:SPANBELowdc? might return 0, indicating the start frequency is not below 0 Hz.

CH<x>:SV:STARTFrequency? (Query Only)

This command queries the start frequency of the specified spectrum trace channel in the Spectrum View window

Group	Spectrum View
Syntax	CH<x>:SV:STARTFrequency?

Arguments	CH<x> specifies the spectrum trace channel source.
Returns	<NR3> specifies the start frequency value in hertz.
Examples	CH3:SV:STARTFrequency? might return 35.7E+6, indicating the start frequency for the channel 3 spectrum trace is 35.7 MHz.

CH<x>:SV:STATE

This command sets or queries the on/off setting of data acquisition for the specified spectrum trace channel.

Group	Spectrum View
Syntax	CH<x>:SV:STATE {ON OFF} CH<x>:SV:STATE?
Arguments	CH<x> specifies the spectrum trace channel source. ON enables spectrum data acquisition for the specified spectrum trace channel source. OFF disables spectrum data acquisition for the specified spectrum trace channel source.
Examples	SV:CH1:STATE ON turns on Spectrum View data acquisition for the channel 1 spectrum trace. SV:CH3:STATE? might return OFF, indicating that Spectrum View data acquisition is turned off for the channel 3 spectrum trace.

CH<x>:SV:STOPFrequency? (Query Only)

This command queries the stop frequency of the specified spectrum trace channel in the Spectrum View window

Group	Spectrum View
Syntax	CH<x>:SV:STOPFrequency?

Arguments	CH<x> specifies the spectrum trace channel source.
Returns	<NR3> specifies the stop frequency value in hertz.
Examples	CH2:SV:STOPFrequency? might return 95.1E+6, indicating the stop frequency for the channel 2 spectrum trace is 95.1 MHz.

CH<x>:TERmination

This command sets or queries the vertical termination for the specified analog channel. The channel is specified by x.

NOTE. *The available arguments depend on the instrument model and the attached accessories.*

Group	Vertical
Syntax	CH<x>:TERmination <NR3> CH<x>:TERmination?
Arguments	CH<x> is the channel number. <NR3> specifies the channel input resistance, which can be specified as 50 Ω or 1,000,000 Ω .
Examples	CH4:TERMINATION 50.0E+0 establishes 50 Ω impedance on Channel 1. CH2:TERMINATION? might return CH2:TERMINATION 50.0E+0, indicating that Channel 2 is set to 50 Ω impedance.

CH<x>:VTERm:BIAS

Sets or queries the termination bias voltage for the specified channel (if control is available).

Conditions	Requires a probe with dual inputs.
Group	Vertical

Syntax CH<x>:VTERM:BIAS <NR3>
CH<x>:VTERM:BIAS?

Arguments CH<x> is the channel number.
<NR3> is the termination voltage.

Examples CH1:VTERM:BIAS 1.5 sets the termination bias voltage on channel 1 to 1.5 Volts
CH2:VTERM:BIAS? might return CH2:VTERM:BIAS 0.0000, indicating that the termination bias voltage for channel 2 is set to 0 volts.

CH<x>_DALL:LABEL:COLOR

This command sets or queries the color of the specified digital group label. The channel is specified by x.

Group Digital

Syntax CH<x>_DALL:LABEL:COLOR <QString>
CH<x>_DALL:LABEL:COLOR?

Arguments CH<x> is the channel number.
<QString> is the color of the digital group label. To return the color to the default color, send an empty string as in this example: :CH5_DALL:LABEL:COLOR "".

Examples CH1_DALL:LABEL:COLOR "#FF0000" sets the font color to red.
CH1_DALL:LABEL:COLOR? might return CH1_DALL:LABEL:COLOR "#FFFF00" indicating the font color is yellow.

CH<x>_DALL:LABEL:FONT:BOLD

This command sets or queries the bold state of the specified digital group. The channel is specified by x.

Group Digital

Syntax CH<x>_DALL:LABEL:FONT:BOLD {ON|OFF|<NR1>}
CH<x>_DALL:LABEL:FONT:BOLD?

Arguments CH<x> is the channel number.
 OFF argument turns off bold font.
 ON argument turns on bold font.
 <NR1> = 0 turns off bold font; any other value turns on bold font.

Examples CH1_DALL:LABE1:FONT:BOLD ON sets the font to bold.
 CH1_DALL:LABE1:FONT:BOLD? might return CH1_DALL:LABEL:FONT:BOLD
 0 indicating the font is not bold.

CH<x>_DALL:LABE1:FONT:ITALIC

This command sets or queries the italic state of the specified digital group. The channel is specified by x.

Group Digital

Syntax CH<x>_DALL:LABE1:FONT:ITALIC {ON|OFF|<NR1>}
 CH<x>_DALL:LABE1:FONT:ITALIC?

Arguments CH<x> is the channel number.
 OFF argument turns off italic font.
 ON argument turns on italic font.
 <NR1> = 0 turns off italic font; any other value turns on italic font.

Examples CH1_DALL:LABE1:FONT:ITALIC 1 turns on italic font.
 CH1_DALL:LABE1:FONT:ITALIC? might return
 CH1_DALL:LABEL:FONT:ITALIC 0 indicating the font is not italic.

CH<x>_DALL:LABE1:FONT:SIZE

This command sets or queries the font size of the specified digital group. The channel is specified by x.

Group Digital

Syntax CH<x>_DALL:LABel:FONT:SIZE <NR1>
CH<x>_DALL:LABel:FONT:SIZE?

Arguments CH<x> is the channel number.
<NR1> is the font size.

Examples CH1_DALL:LABel:FONT:SIZE 16 sets the font size to 16 points.
CH1_DALL:LABel:FONT:SIZE? might return CH1_DALL:LABEL:FONT:SIZE
20 indicating the font size is 20 points.

CH<x>_DALL:LABel:FONT:TYPE

This command sets or queries the font type of the specified digital group, such as Arial or Times New Roman. The channel is specified by x.

Group Digital

Syntax CH<x>_DALL:LABel:FONT:TYPE <QString>
CH<x>_DALL:LABel:FONT:TYPE?

Arguments CH<x> is the channel number.
<QString> is the font type.

Examples CH1_DALL:LABel:FONT:TYPE "Monospace" sets the font to a monospace font.
CH1_DALL:LABel:FONT:TYPE? might return CH1_DALL:LABEL:FONT:TYPE
"Frutiger LT Std 55 Roman".

CH<x>_DALL:LABel:FONT:UNDERline

This command sets or queries the underline state of the specified digital group. The channel is specified by x.

Group Digital

Syntax CH<x>_DALL:LABel:FONT:UNDERline {ON|OFF|<NR1>}
CH<x>_DALL:LABel:FONT:UNDERline?

Arguments CH<x> is the channel number.
 OFF argument turns off underline font.
 ON argument turns on underline font.
 <NR1> = 0 turns off underline font; any other value turns on underline font.

Examples CH1_DALL:LABel:FONT:UNDERline ON specifies an underlined font.
 CH1_DALL:LABel:FONT:UNDERline? might return
 CH1_DALL:LABEL:FONT:UNDERLINE 0 indicating underline is off.

CH<x>_DALL:LABel:NAME

This command sets or queries the label of the specified digital group. The channel is specified by x.

Group Digital

Syntax CH<x>_DALL:LABel:NAME <QString>
 CH<x>_DALL:LABel:NAME?

Arguments CH<x> is the channel number.
 <QString> is the name of the group.

Examples CH1_DALL:LABel:NAME "Clock Out" sets the label name to Clock Out.
 CH1_DALL:LABel:NAME? might return CH1_DALL:LABEL:NAME "This is the digital name".

CH<x>_D<x>:LABel:COLor

This command sets or queries the color of the label of the specified digital bit. The channel is specified by x.

Group Digital

Syntax CH<x>_D<x>:LABel:COLor <QString>
 CH<x>_D<x>:LABel:COLor?

- Arguments** CH<x> is the channel number.
- <QString> is the label color. To return the color to the default color, send an empty string as in this example: :CH5_D1:LABEL:COLOR "".
- Examples** CH1_D1:LABEL:COLOR "#FF0000" sets the color to red.
- CH1_D1:LABEL:COLOR? might return CH1_D1:LABEL:COLOR "#FFFF00" indicating the color is yellow.

CH<x>_D<x>:LABEL:FONT:BOLD

This command sets or queries the bold state of the label of the specified digital bit. The channel is specified by x.

- Group** Digital
- Syntax** CH<x>_D<x>:LABEL:FONT:BOLD {ON|OFF|<NR1>}
CH<x>_D<x>:LABEL:FONT:BOLD?
- Arguments** CH<x> is the channel number.
- OFF argument turns off bold font.
- ON argument turns on bold font.
- <NR1> = 0 turns off bold font; any other value turns on bold font.
- Examples** CH1_D1:LABEL:FONT:BOLD ON sets the font to bold.
- CH1_D1:LABEL:FONT:BOLD? might return CH1_D1:LABEL:FONT:BOLD 0 indicating the font is not bold.

CH<x>_D<x>:LABEL:FONT:ITALIC

This command sets or queries the italic state of the label of the specified digital bit. The channel is specified by x.

- Group** Digital
- Syntax** CH<x>_D<x>:LABEL:FONT:ITALIC {ON|OFF|<NR1>}
CH<x>_D<x>:LABEL:FONT:ITALIC?

Arguments CH<x> is the channel number.
 OFF argument turns off italic font.
 ON argument turns on italic font.
 <NR1> = 0 turns off italic font; any other value turns on italic font.

Examples CH1_D1:LABE`l`:FONT:ITALIC OFF turns off italic font.
 CH1_D1:LABE`l`:FONT:ITALIC? might return CH1_D1:LABEL:FONT:ITALIC 1 indicating the font is italic.

CH<x>_D<x>:LABE`l`:FONT:SIZE

This command sets or queries the font size of the label of the specified digital bit. The channel is specified by x.

Group Digital

Syntax CH<x>_D<x>:LABE`l`:FONT:SIZE <NR1>
 CH<x>_D<x>:LABE`l`:FONT:SIZE?

Arguments CH<x> is the channel number.
 <NR1> is the font size.

Examples CH1_D1:LABE`l`:FONT:SIZE 16 sets the font size to 16 points.
 CH1_D1:LABE`l`:FONT:SIZE? might return CH1_D1:LABEL:FONT:SIZE 20 indicating the font size is 20 points.

CH<x>_D<x>:LABE`l`:FONT:TYPE

This command sets or queries the font type of the label of the specified digital bit, such as Arial or Times New Roman. The channel is specified by x.

Group Digital

Syntax CH<x>_D<x>:LABE`l`:FONT:TYPE <QString>
 CH<x>_D<x>:LABE`l`:FONT:TYPE?

Arguments CH<x> is the channel number.
<QString> is the font type of the label.

Examples CH1_D1:LABe1:FONT:TYPE "Monospace" sets the font to Monospace.
CH1_D1:LABe1:FONT:TYPE? might return CH1_D1:LABEL:FONT:TYPE
"Frutiger LT Std 55 Roman".

CH<x>_D<x>:LABe1:FONT:UNDERline

This command sets or queries the underline state of the label of the specified digital bit. The channel is specified by x.

Group Digital

Syntax CH<x>_D<x>:LABe1:FONT:UNDERline {ON|OFF|<NR1>}
CH<x>_D<x>:LABe1:FONT:UNDERline?

Arguments CH<x> is the channel number.
OFF argument turns off underline font.
ON argument turns on underline font.
<NR1> = 0 turns off underline font; any other value turns on underline font.

Examples CH1_D1:LABe1:FONT:UNDERline ON turns on underline font.
CH1_D1:LABe1:FONT:UNDERline? might return
CH1_D1:LABEL:FONT:UNDERLINE 0 indicating the underline font is off.

CH<x>_D<x>:LABe1:NAME

Sets or queries the label of the specified digital bit. The channel is specified by x.

Group Digital

Syntax CH<x>_D<x>:LABe1:NAME <QString>
CH<x>_D<x>:LABe1:NAME?

Arguments CH<x> is the channel number.
<QString> is the label.

Examples CH1_D1:LABe1:NAME "Clock in" sets the name to Clock in.
CH1_D1:LABe1:NAME? might return CH1_D1:LABEL:NAME "Digital 1".

CLEAR (No Query Form)

This command clears acquisitions, measurements, and waveforms.

Group Miscellaneous

Syntax CLEAR

Examples CLEAR clears all acquisitions, measurements, and waveforms.

*CLS (No Query Form)

This command (no query form) clears the following:

- Event Queue
- Standard Event Status Register
- Status Byte Register (except the MAV bit)

If the *CLS command immediately follows an <EOI>, the Output Queue and MAV bit (Status Byte Register bit 4) are also cleared. MAV indicates that information is in the output queue. The device clear (DCL) control message will clear the output queue and thus MAV. *CLS does not clear the output queue or MAV.

*CLS can suppress a Service Request that is to be generated by an *OPC. This will happen if a single sequence acquisition operation is still being processed when the *CLS command is executed.

Group Status and Error

Syntax *CLS

Related Commands [DESE](#)
[*ESE](#)
[*ESR?](#)
[EVENT?](#)
[EVMsg?](#)
[*SRE](#)
[*STB?](#)

Examples *CLS clears the instrument status data structures.

CONFIGuration:ANALog:BANDWidth? (Query Only)

This command queries the maximum licensed bandwidth of the instrument.

Group Vertical

Syntax CONFIGuration:ANALog:BANDwidth?

Returns The maximum licensed bandwidth of the instrument is returned.

Examples CONFIGuration:ANALog:BANDwidth? might return
CONFIGURATION:ANALOG:BANDWIDTH 2.0000E+9 indicating the
bandwidth is 2.0 GHz.

CONNected:REQUested:STATus (No Query Form)

This command sets the status of the Connected Scope Preference feature. After issuing the status command, the **CONNected:SAVEPReferences** command should be set immediately to make the feature enabled. On the instrument, the feature is found in Utility > User Preferences > Other > Connected Scope Preferences.

Group Miscellaneous

Syntax CONNected:REQUested:STATus <NR1>

- Arguments** <NR1> enables or disables the Connected Scope Preference feature. The argument can be either 1 or 0. Setting 1 will enable the feature.
- Examples** `CONNECTed:REQUeSTed:STATus 1` `CONNECTed:SAVEPREferences` enables and saves Connected Scope Preference feature.

CONNected:STATus? (Query Only)

This query command returns the status of the Connected Scope Preference feature. On the instrument, the feature is found in Utility > User Preferences > Other > Connected Scope Preferences.

- Group** Miscellaneous
- Syntax** `CONNected:STATus?`
- Returns** This command returns either 1 or 0. A return value of 1 means the feature is enabled and 0 means the feature is disabled.
- Examples** `CONNected:STATus?` might return `:CONNected:STATus 1`, indicating the Connected Scope Preference feature is enabled.

CONNected:USAGe:TRack:REQUeSTed:STATus (No Query Form)

This command sets the tracking usage status of the Connected Scope Preference feature. After issuing the status command, the `CONNected:SAVEPREferences` command should be set immediately to make the feature enabled. On the instrument, the feature is found in Utility > User Preferences > Other > Connected Scope Preferences.

- Group** Miscellaneous
- Syntax** `CONNected:USAGe:TRack:REQUeSTed:STATus<NR1>`
- Arguments** <NR1> enables or disables the Connected Scope Preference feature. The argument can be either 1 or 0. Setting 1 will enable the tracking usage status of the Connected Scope Preference feature.

Examples `CONNECTed:USAGe:TRAck:REQUeSted:STATUs 1`
`CONNECTed:SAVEPReFereNces` enables and saves the tracking usage status of the Connected Scope Preference feature.

CONNected:USAGe:TRAck:STATUs? (Query Only)

This query command returns the tracking usage status of the Connected Scope Preference feature. On the instrument, the feature is found in Utility > User Preferences > Other > Connected Scope Preferences.

Group Miscellaneous

Syntax `CONNected:USAGe:TRAck:STATUs?`

Returns This command returns either 1 or 0. A return value of 1 means the feature is enabled and 0 means the feature is disabled.

Examples `CONNected:USAGe:TRAck:STATUs?` might return
`:CONNected:USAGe:TRAck:STATUs 1`, indicating the tracking usage status of the Connected Scope Preference feature is enabled.

CURVe? (Query Only)

This command transfers waveform data from the instrument. Each waveform that is transferred has an associated waveform preamble that contains information such as data format and scale.

The `CURVe?` query transfers data from the instrument. The data source is specified by the `DATA:SOURce` command. The first and last data points are specified by the `DATA:STARt` and `DATA:STOP` commands.

For digital sources, `CH<x>_D<x>` or `CH<x>_DALL`, when the `:DATA:WIDth` is 1, the returned data is state only. When the `:DATA:WIDth` is 2, the returned data is transition data with 2 bits per digital channel representing the transition information as follows:

- 0 0 low
- 0 1 high
- 1 1 multiple transitions in interval ending with high
- 1 0 multiple transitions in interval ending with low

For individual digital channels (such as CH<x>_D<x>), :DATA:WIDTH 2 provides the 2-bit transition data with the upper 14 bits zero. :DATA:WIDTH 1 provides only the state in the LSB with the upper 7 bits all zero.

For CH<x>_DAll sources, :DATA:WIDTH 2 provides the 2-bit transition data for each of the 8 constituent channels with the D7 bit represented in the 2 most significant bits, D6 in the next 2, and so on. :DATA:WIDTH 1 provides the states of each of the 8 constituent channels with D7 represented in the most significant bit and D0 in the least significant bit.

Depending on the sample rate, multi-transition data may not be available and :CURVe? queries for digital channels with :DATA:WIDTH 2 may result in a warning event "Execution warning: Multi-transition data not available". In this case, the transition data returned will be 0 0 or 0 1.

For MATH sources, only 8-byte double precision floating point data is returned in :CURVe? queries.

A Fast Acquisition waveform Pixmap data is a 500 (vertical) by 1000 (horizontal) point bitmap. Each point represents display intensity for that screen location. 500 (vertical) which is the row count in the bitmap, might vary based on how many channels enabled from same FastAcq group. To query and get the Fast Acq Pixel Map data, the following command set should be sent:

- ACQuire:FASTAcq:STATE ON
- DATA:MODE PIXmap

When the FastAcq is on, Curve? on Ch<x> will return pixmap data (if DATA:MODE is PIXmap). The number of rows in the pixmap will vary based on how many ch<x> sources are turned on and how they are grouped in acquisition HW. The grouping can vary from model to model. The number of columns in pixmap data is fixed to 1000. For example, on a MSO58 instrument, Ch1 to Ch4 is "group1" and Ch5 to Ch8 is "group2". If Ch1 is turned on (in group1) then Ch1 rows will be 500. If Ch2 and Ch3 are turned on (in group1) then Ch2 and Ch3 rows will be 250 each. When all Ch1/2/3/4 are turned on (in group1) then 125 rows per channel. If Ch1 (in group1) and Ch8 (in group2) are turned on then 500 rows will be returned for each channel. To calculate the number of rows, you can use- (number of bytes from curve header/BYT_NR)/1000.

Group Waveform Transfer

Syntax CURVe?

Related Commands [DATA:SOURce](#)
[DATA:STARt](#)
[DATA:STOP](#)

SAVe:WAVEform

SAVEON:WAVEform:FILEFormat

WFMOutpre?

Returns CH<x>_SV_NORMal, CH<x>_SV_AVErage, CH<x>_SV_MAXHOld, CH<x>_SV_MINHOld: When DATA:SOURce is set to one of these traces, the data points represent the amplitude of the Spectrum View frequency domain traces in the current units, and are floating point values. The frequency domain trace data is returned as 8-byte floating point values.

CH<x>_SV_AMPLitude, CH<x>_SV_FREQUency, CH<x>_SV_PHASE: When DATA:SOURce is set to one of these traces, the data points are the Magnitude vs. Time, Frequency vs. Time, or Phase vs. Time representations of the RF input signal (Spectrum View) time domain traces. The RF time domain traces are returned as floating point values.

CH<x>_FREQ_vs_time is the frequency in Hz.

CH<x>_PHASE_vs_time is the phase in degrees.

CH<x>_MAG_vs_time is the magnitude in Volts.

CH<x>_SV_BASEband_IQ is the Spectrum View RF baseband IQ traces. When DATA:SOURce is set to one of these traces, the data points represent the digitizing levels of the IQ data. The IQ data is formatted as pairs of integer values (i.e. <I>,<Q>,<I>,<Q>,...)

Examples CURVE? with ASCII encoding, start and stop of 1 and 10 respectively, and a width set to 1 might return :CURVE 61,62,61,60,60,-59,-59,-58,-58,-59

NOTE. Curve data is transferred from the instrument asynchronously and, depending upon the length of the curve record, such transfers can require several seconds to complete. During this time, the instrument will not respond to user controls. You can interrupt these asynchronous data transfers by sending a device clear message to the instrument or by interrupting the query with another command or query. Verify that curve data is completely transferred.

*It is recommended that you follow such queries with an *ESR? query and verify that the error bit returned and, if set, check the event queue to ascertain the reason for the error. If the error was caused by an interrupted query, then the asynchronous data transfer had not completed when the *ESR? query was sent. In this case, you might need increase your program's time-out value to ensure that all data is transferred and read.*

CURVEStream? (Query Only)

This query-only command continuously transfers waveform data from the instrument as it is acquired.

This command puts the instrument into a streaming data mode, allowing the controller to receive waveform records as fast as they are acquired. Use the [DATA:SOUrce](#) command to specify the waveform sources. The command supports all the same data formatting options as the [CURVe?](#) command.

- Control of the instrument through the user interface or other external clients is not allowed while in streaming data mode.
- The GPIB controller must take the instrument out of this streaming data mode to terminate the query and allow other input sources to resume communication with the instrument. The following options are available to transition out of streaming data mode:
 - Send a device clear over the bus
 - Send another command or query to the instrument
- Turning the waveform screen display mode off (`:DISPlay:WAVEform OFF`) may increase waveform throughput during streaming mode.
- Using a data encoding of SRBinary (`DATA:ENCdg SRBinary`) may also increase the waveform throughput since that is the raw native data format of the oscilloscope.
- While in streaming data mode, two extreme conditions can occur.
 - If the waveform records are being acquired slowly (high resolution), configure the controller for a long time-out threshold, as the data is not sent out until each complete record is acquired.
 - If the waveform records are being acquired rapidly (low resolution), and the controller is not reading the data off the bus fast enough, the trigger rate is slowed to allow each waveform to be sent sequentially.

Group Waveform Transfer

Syntax CURVEStream?

Related Commands [CURVe?](#)
[DATA:SOUrce](#)
[DATA:STARt](#)
[DATA:STOP](#)

DATA:ENCdg

DATA:WIDth

WFMOuTpre?

Returns Formatted waveform data, once per acquisition.

Examples CURVESTREAM? with ASCII encoding, start and stop of 1 and 10 respectively, and a width set to 1 might return :CURVESTREAM 61,62,61,60,60,-59,-59,-58,-58,-59

NOTE. Curve data is transferred from the instrument asynchronously and, depending upon the length of the curve record, such transfers can require several seconds to complete. During this time, the instrument will not respond to user controls. You can interrupt these asynchronous data transfers by sending a device clear message to the instrument or by interrupting the query with another command or query. Verify that curve data is completely transferred.

It is recommended that you follow such queries with an *ESR? query and verify that the error bit returned and, if set, check the event queue to ascertain the reason for the error. If the error was caused by an interrupted query, then the asynchronous data transfer had not completed when the *ESR? query was sent. In this case, you might need increase your program's time-out value to ensure that all data is transferred and read.

CUSTOMTABLE:ADDNew (No Query Form)

This command adds new custom results table.

Group Measurement, IMDA

Syntax CUSTOMTABLE:ADDNew <QString>

Arguments <QString> specifies the custom results table name.

Examples CUSTOMTABLE:ADDNEW"TABLE1" adds a new custom table named TABLE1.

CUSTOMTABLE:DELeTe (No Query Form)

This command deletes the custom result(s) table that was added.

Group	Measurement, IMDA
Syntax	CUSTOMTABLE:DELETE <QString>
Arguments	<QString> specifies the custom results table name.
Examples	CUSTOMTABLE:DELETE "TABLE1" deletes the new custom table named TABLE1.

CUSTOMTABLE:LIST? (Query Only)

This command queries the list of custom result tables has been added.

Group	Measurement, IMDA
Syntax	CUSTOMTABLE:LIST? <QString>
Arguments	<QString> specifies the custom results table name.
Examples	CUSTOMTABLE:LIST? might return :CUSTOMTABLE:LIST TABLE1, TABLE2 , indicating there are two custom result tables.

DATA

This command sets or queries the format and location of the waveform data that is transferred with the [CURVe?](#) command.

Group	Waveform Transfer
Syntax	DATA {INIT SNAP} DATA?
Related Commands	CURVe? DATA:START DATA:STOP DATA:ENCdg

[SAVEON:WAVEform:FILEFormat](#)

[WFMOutpre:NR_Pt?](#)

Arguments INIT initializes the waveform data parameters to their factory defaults except for DATA:STOP, which is set to the current acquisition record length.

SNAP Sets DATA:START and DATA:STOP to match the current waveform cursor positions of WAVEVIEW1 CURSOR1 if these waveform cursors are currently on. If these waveform cursors are not on when the DATA SNAP command is sent, it is silently ignored and DATA:START and :STOP remain unchanged.

If either of the cursors is outside the record, DATA:START and :STOP are set to nearest values within the record. This will cause DATA:START and/or :STOP to snap to the beginning or end of the record whichever is nearest, and the following event is set: 500, "Execution warning", "One or both cursors outside of waveform record".

If there is no acquired waveform for the cursor source, then DATA:START and :STOP remain unchanged and the following event is set: 500, "Execution warning", "No acquired waveform record".

If DATA:START is greater than :STOP, the values of DATA:START and STOP are swapped and the following event is set: 530, "Data start > stop, Values swapped internally".

Examples DATA INIT initializes the waveform data parameters to their factory defaults.

DATA? might return DATA:ENCDG RIBINARY;SOURCE CH1;START 1;STOP 1000;FRAMESTART 1;FRAMESTOP 1000.

DATA:ENCDg

This command sets or queries the format of outgoing waveform data. This command is equivalent to setting [WFMOutpre:ENCDg](#), [WFMOutpre:BN_Fmt](#), and [WFMOutpre:BYT_Or](#). Setting the DATA:ENCDg value causes the corresponding WFMOutpre values to be updated and vice versa.

NOTE. Values are constrained (for outbound data) to the format of the data specified by DATA:SOURce.

Group Waveform Transfer

Syntax DATA:ENCDg {ASCIi| RIBinary| RPBinary| FPBinary| SRIBinary| SRPBinary| SFPBinary}
DATA:ENCDg?

Related Commands [WFMOutpre:ENCdg](#)
 [WFMOutpre:BN_Fmt](#)
 [WFMOutpre:BYT_Or](#)

Arguments **ASCIi** specifies the ASCII representation of signed INT, FLOAT. If ASCII is the value, then :BN_Fmt and :BYT_Or are ignored. The following are the DATA and WFMOutpre parameter settings (separated by semicolons): :ENCdg = ASC ; :BN_Fmt = N/A ; :BYT_Or = N/A ; :BYT_NR = 1,2,4.

RIBinary specifies signed integer data-point representation, with the most significant byte transferred first. When :BYT_Nr is 1, the range from 0 through 255. When :BYT_Nr is 2, the range is from 0 to 65,535. When :BYT_Nr is 4, then the waveform being queried would return Fast Acquisition Pixmap data (if fast acq is turned on and data mode is set to pixmap). The following are the DATA and WFMOutpre parameter settings (separated by semicolons): :ENCdg = BIN ; :BN_Fmt = RI ; :BYT_Or = MSB ; :BYT_NR = 1,2.

RPBinary specifies the positive integer data-point representation, with the most significant byte transferred first. When :BYT_Nr is 1, the range from 0 through 255. When :BYT_Nr is 2, the range is from 0 to 65,535. The following are the DATA and WFMOutpre parameter settings (separated by semicolons): :ENCdg = BIN ; :BN_Fmt = RP ; :BYT_Or = MSB ; :BYT_NR = 1,2.

FPBinary specifies the floating point (width = 4) data. The range is from -3.4×10^{38} to 3.4×10^{38} . The center of the screen is 0. The upper limit is the top of the screen and the lower limit is the bottom of the screen. The **FPBinary** argument is only applicable to math waveforms or ref waveforms saved from math waveforms. The following are the DATA and WFMOutpre parameter settings (separated by semicolons): :ENCdg = BIN ; :BN_Fmt = FP ; :BYT_Or = MSB ; :BYT_NR = 4.

SRIBinary is the same as **RIBinary** except that the byte order is swapped, meaning that the least significant byte is transferred first. This format is useful when transferring data to IBM compatible PCs. The following are the DATA and WFMOutpre parameter settings (separated by semicolons): :ENCdg = BIN ; :BN_Fmt = RI ; :BYT_Or = LSB ; :BYT_NR = 1,2.

SRPBinary is the same as **RPBinary** except that the byte order is swapped, meaning that the least significant byte is transferred first. This format is useful when transferring data to PCs. The following are the DATA and WFMOutpre parameter settings (separated by semicolons): :ENCdg = BIN ; :BN_Fmt = RP ; :BYT_Or = LSB ; :BYT_NR = 1,2.

SFPBinary specifies floating point data in IBM PC format. The **SFPBinary** argument only works on math waveforms or ref waveforms saved from math waveforms. The following are the DATA and WFMOutpre parameter settings (separated by semicolons): :ENCdg = BIN ; :BN_Fmt = FP ; :BYT_Or = LSB ; :BYT_NR = 4.

- Examples** DATA:ENCDG RPBinary sets the data encoding format to be a positive integer data-point representation, where the most significant byte is transferred first.
- DATA:ENCDG? might return DATA:ENCDG SRPBINARY for the format of the outgoing waveform data.

DATA:FRAMESTART

This command sets or queries the starting acquisition for waveform transfer using the CURVE? query. This is only relevant when History or FastFrame acquisition modes are enabled.

Group Waveform Transfer

Syntax DATA:FRAMESTART <NR1>
DATA:FRAMESTART?

Arguments <NR1> is the first acquisition that will be transferred, which ranges from 1 to the number of History or FastFrame acquisitions. Results are transferred from acquisition <NR1> to DATA:FRAMESTOP or the total number of acquisitions, whichever is less. If <NR1> is greater than the number of acquisitions, then only the last acquisition is transferred. If DATA:FRAMESTART is greater than DATA:FRAMESTOP, then only a single acquisition at <NR1> is transferred.

- Examples** DATA:FRAMESTART 10 specifies that the waveform transfer will begin with the 10th acquisition.
- DATA:FRAMESTART? might return :DATA:FRAMESTART 25, indicating that acquisition 25 is the first one that will be transferred.

DATA:FRAMESTOP

This command sets or queries the last acquisition for waveform transfer using the CURVE? query. This is only relevant when History or FastFrame acquisition modes are enabled.

Group Waveform Transfer

Syntax DATA:FRAMESTOP {<NR1>|MAX}
DATA:FRAMESTOP?

Arguments	<p><NR1> is the last acquisition that will be transferred, which ranges from 1 to the number of History or FastFrame acquisitions. Results will be transferred from acquisitions DATA:FRAMESTART to <NR1>. If <NR1> is greater than the number of acquisitions, then data will be transferred up to the last acquisition. If DATA:FRAMESTOP is less than DATA:FRAMESTART, then only a single acquisition at DATA:FRAMESTART is transferred.</p> <p>MAX indicates that data is always transferred up to the last acquisition.</p>
Examples	<p>DATA:FRAMESTOP 100 specifies that the waveform transfer will stop with the 100th acquisition.</p> <p>DATA:FRAMESTOP? might return :DATA:FRAMESTOP 250, indicating that acquisition 250 is the last one that will be transferred.</p>

DATA:MODE

This command sets or queries the mode for waveform data sent to returned by CURVE?. When FastAcq mode is ON, and the value is PIXmap, it returns Fast Acquisition pixmap data or the vector data is returned. When the data mode is set as VECtor then you get the waveform sampled data. The Data width is reset to 1 or 2 instead of 4.

Group	Waveform Transfer
Syntax	<p>DATA:MODE {VECTor PIXmap}</p> <p>DATA:MODE ?</p>
Arguments	<p>VECTor sets the mode for waveform data to vector.</p> <p>PIXmap sets the mode for waveform data to pixmap.</p>
Examples	<p>DATA:MODE VECTor sets the mode for waveform data to vector.</p> <p>DATA:MODE ? might return :DATA:MODE VECTor, indicating that the mode for waveform data is set to vector.</p>

DATA:RESample

This command sets or queries the resampling of outgoing waveform data. This command is equivalent to setting WFMOutpre:RESample. Setting the DATA:RESample value causes the corresponding WFMOutpre value to be updated and vice versa.

Group	Waveform Transfer
Syntax	DATA:RESAmple <NR1> DATA:RESAmple?
Related Commands	WFMOUtpre:RESAmple
Arguments	<NR1> is the resampling rate. The default value is 1, which means every sample is returned. A value of 2 returns every other sample, while a value of 3 returns every third sample, and so on.
Examples	DATA:RESAMPLE 1 sets the resampling to return all waveform data samples. DATA:RESAMPLE? might return :DATA:RESAMPLE 4, indicating that every fourth sample of the waveform data is returned.

DATA:SOURce

This command sets or queries the location of waveform data that is transferred from the instrument by the [CURVe?](#) Query.

Group	Waveform Transfer
Syntax	DATA:SOURce <wfm> [<, ><wfm>] DATA:SOURce?
Related Commands	CURVe? DATA
Arguments	<wfm> is the location of the waveform data that will be transferred from the instrument to the controller. It can consist of CH<x>, MATH<x>, REF<x>, DIGITALALL. Note that digital data is transferred as 16-bit data, with the least-significant bit representing D0, and the most-significant bit representing D15. <wfm> can consist of the following: CH<x> selects the specified analog channel as the source. MATH<x> selects the specified reference waveform as the source. The reference number is specified by x, which ranges from 1 through 4.

REF<x> selects the specified reference waveform as the source. The reference number is specified by x, which ranges from 1 through 8.

CH<x>_D<x> selects the specified digital channel.

CH<x>_DA11 selects the specified channel group of digital channels.

DIGITALALL selects digital waveforms as the source. The Digital data is transferred as 16-bit data, with the least-significant bit representing D0, and the most-significant bit representing D15. The LSB always contains D0-D7 and MSB always contains D8-D15 data.

CH<x>_SV_NORMa1, CH<x>_SV_AVErAge, CH<x>_SV_MAX_Ho1d, CH<x>_SV_MIN_Ho1d selects the specified Spectrum View waveform.

CH<x>_MAG_VS_TIME, CH<x>_FREQ_VS_TIME, CH<x>_PHASE_VS_TIME selects the specified RF vs. Time waveform.

CH<x>_SV_BASEBAND_IQ selects the specified RF baseband IQ data.

Examples DATA:SOURCE CH1 specifies that the CH1 waveforms will be transferred in the next CURVe? query.

DATA:SOURCE? might return DATA:SOURCE REF3, indicating that the source for the waveform data which is transferred using a CURVe? query is reference 3.

DATA:SOURce:AVAILable? (Query Only)

This query returns a list of enumerations representing the source waveforms that are currently available for :CURVe? queries. This means that the waveforms have been acquired. If there are none, NONE is returned.

Group Waveform Transfer

Syntax DATA:SOURce:AVAILable?

Related Commands [CURVe?](#)

Returns Returns a list of source waveforms that are currently available for :CURVe? queries.

Examples DATA:SOURCE:AVAILABLE? might return DATA:SOURCE:AVAILABLE CH2,CH3,CH6,CH7,MATH1,REF1 indicating that CH2, CH3, CH6, CH7, MATH1, and REF1 are available.

DATA:START

This command sets or queries the starting data point for waveform transfer. This command allows for the transfer of partial waveforms to and from the instrument. Data will be transferred from <NR1> to DATA:STOP or the record length, whichever is less. If <NR1> is greater than the record length, the last data point in the record is transferred.

DATA:START and DATA:STOP are order independent. When DATA:STOP is greater than DATA:START, the values will be swapped internally for the CURVE? query.

Group	Waveform Transfer
Syntax	DATA:START <NR1> DATA:START?
Related Commands	CURVe? DATA DATA:STOP WFMOutpre:NR_Pt?
Arguments	<NR1> is the first data point that will be transferred, which ranges from 1 to the record length.
Examples	DATA:START 10 specifies that the waveform transfer will begin with data point 10. DATA:START? might return DATA:START 214, indicating that data point 214 is the first waveform data point that will be transferred.

DATA:STOP

This command sets or queries the last data point that will be transferred when using the CURVe?? query. When using the CURVe? command, DATA:STOP is ignored. This command allows for the transfer of partial waveforms to the controller.

If <NR1> is greater than the record length, then data will be transferred up to the record length. If both DATA:START and DATA:STOP are greater than the record length, the last data point in the record is returned.

DATA:START and DATA:STOP are order independent. When DATA:STOP is less than DATA:START, the values will be swapped internally for the CURVE? query.

If you always want to transfer complete waveforms, set `DATA:START` to 1 and `DATA:STOP` to the maximum record length, or larger.

Changes to the record length value are not automatically reflected in the `DATA:STOP` value. As record length is varied, the `DATA:STOP` value must be explicitly changed to ensure the entire record is transmitted. In other words, curve results will not automatically and correctly reflect increases in record length if the distance from `DATA:START` to `DATA:STOP` stays smaller than the increased record length.

Group Waveform Transfer

Syntax `DATA:STOP <NR1>`
`DATA:STOP?`

Related Commands [CURVe?](#)
[DATA](#)
[DATA:START](#)
[WFMOutpre:NR_Pt?](#)

Arguments `<NR1>` is the last data point that will be transferred, which ranges from 1 to the record length.

Examples `DATA:STOP 15000` specifies that the waveform transfer will stop at data point 15000.

`DATA:STOP?` might return `DATA:STOP 14900`, indicating that 14900 is the last waveform data point that will be transferred.

DATA:WIDTH

This command specifies the width, in bytes per point, for waveform data transferred from the instrument via the `CURVe?` query. (This command is synonymous with `WFMOutpre:BYT_Nr`.)

Group Waveform Transfer

Syntax `DATA:WIDTH <NR1>`
`DATA:WIDTH?`

Related Commands [WFMOutpre:BYT_Nr](#)

- Arguments** <NR1> is an integer that indicates the number of bytes per point for the outgoing waveform data when queried using the CURVe? command.
- For analog channels, NR1 can be 1 or 2.
 - For digital channels, NR1 can be 1 or 2.
 - For the digital collection, NR1 can be 4 or 8.
 - For CH<x>_SV_NORMAl, CH<x>_SV_AVErAge, CH<x>_SV_MAXHold, CH<x>_SV_MINHold, CH<x>_MAG_VS_TIME, CH<x>_FREQ_VS_TIME, and CH<x>_PHASE_VS_TIME, NR1 can only be 8.
 - For CH<x>_SV_BASEBAND_IQ, NR1 can be 1 or 2.

Examples DATA:WIDTH 1 sets the data width to 1 byte.

DATA:WIDTH? might return DATA:WIDTH 1 indicating the width, in bytes per point, for waveform data transferred by the CURVE? query is 1 byte.

DATE? (Query Only)

This command queries the date that the instrument displays.

Group Miscellaneous

Syntax DATE?

Related Commands [TIME](#)

Returns <QString> is a date in the form “yyyy-mm-dd” where yyyy refers to a four-digit year number, mm refers to a two-digit month number from 01 to 12, and dd refers to a two-digit day number in the month.

Examples DATE? might return DATE 2000-01-24, indicating the current date is set to January 24, 2000.

*DDT

This command allows you to specify a command or a list of commands that are executed when the instrument receives a ***TRG** command. Define Device Trigger (***DDT**) is a special alias that the ***TRG** command uses.

Group Miscellaneous

Syntax ***DDT** {<Block>|<QString>}
***DDT?**

Related Commands [ALias](#)
[*TRG](#)

Arguments <Block> is a complete sequence of program messages. The messages can contain only valid commands that must be separated by semicolons and must follow all rules for concatenating commands. The sequence must be less than or equal to 80 characters. The format of this argument is always returned as a query.

<QString> is a complete sequence of program messages. The messages can contain only valid commands that must be separated by semicolons and must follow all rules for concatenating commands. The sequence must be less than or equal to 80 characters.

Examples ***DDT #217ACQUIRE:STATE RUN** specifies that the acquisition system will be started each time a ***TRG** command is sent.

DESE

This command sets and queries the bits in the Device Event Status Enable Register (DESER). The DESER is the mask that determines whether events are reported to the Standard Event Status Register (SESR), and entered into the Event Queue. For a more detailed discussion of the use of these registers, see Registers.

Group Status and Error

Syntax **DESE** <NR1>
DESE?

Related Commands	<p>*CLS</p> <p>*ESE</p> <p>*ESR?</p> <p>EVENT?</p> <p>EVMsg?</p> <p>*SRE</p> <p>*STB?</p>
Arguments	<p><NR1> The binary bits of the DESER are set according to this value, which ranges from 1 through 255. For example, DESE 209 sets the DESER to the binary value 11010001 (that is, the most significant bit in the register is set to 1, the next most significant bit to 1, the next bit to 0, etc.).</p> <p>The power-on default for DESER is all bits set if *PSC is 1. If *PSC is 0, the DESER maintains the previous power cycle value through the current power cycle.</p> <hr/> <p>NOTE. <i>Setting the DESER and ESER to the same value allows only those codes to be entered into the Event Queue and summarized on the ESB bit (bit 5) of the Status Byte Register. Use the *ESE command to set the ESER.</i></p> <hr/>
Examples	<p>DESE 209 sets the DESER to binary 11010001, which enables the PON, URQ, EXE and OPC bits.</p> <p>DESE? might return DESE 186, showing that the DESER contains the binary value 10111010.</p>

DIAG:LOOP:OPTion

This command sets or queries the type of looping desired.

Group	Self Test
Syntax	<p>DIAG:LOOP:OPTion {FAIL ONCE ALWAYS ONFAIL NTIMES}</p> <p>DIAG:LOOP:OPTion?</p>
Arguments	<p>FAIL - run until a failure is found, then halt.</p> <p>ONCE - run through one loop.</p> <p>ALWAYS - run forever.</p>

ONFAIL - run until a failure is found, then loop on it.

NTIMES - run n number of loops.

Examples `DIAG:LOOP:OPTION ALWAYS` sets loop option to ALWAYS.
 `DIAG:LOOP:OPTION?` returns current looping option value.

DIAG:LOOP:OPTion:NTIMes

This command sets or queries how many loops to run, if N-times is being used.

Group Self Test

Syntax `DIAG:LOOP:OPTion:NTIMes <NR1>`
 `DIAG:LOOP:OPTion:NTIMes?`

Arguments `<NR1>` is how many loops to run.

Examples `DIAG:LOOP:OPTION:NTIMES 2` sets diagnostics to loop 2 times.
 `DIAG:LOOP:OPTION:NTIMES?` might return `DIAG:LOOP:OPTION:NTIMES 1`
 indicating diagnostics will run once.

DIAG:LOOP:STOP (No Query Form)

Request that diagnostics stop looping.

Group Self Test

Syntax `DIAG:LOOP:STOP`

Examples `DIAG:LOOP:STOP` stops diagnostics looping.

DIAG:MODe

This command sets or queries the diagnostics mode.

Group Self Test

Syntax `DIAG:MODE {POST|EXTENDED|SERVICE}`
`DIAG:MODE?`

Arguments `POST` specifies the power on self test diagnostics.
`EXTENDED` specifies the extended diagnostics.
`SERVICE` specifies the service diagnostics.

Examples `DIAG:MODE POST` specifies the power on self test diagnostics.

DIAG:RESUlt? (Query Only)

This query returns both the overall diagnostics test results and the results of each individual test area.

Group Self Test

Syntax `DIAG:RESUlt?`

Returns The diagnostics results.

Examples `DIAG:RESULT?` might return `DIAG:RESULT:FLAG "NOT RUN";LOG "PASS--IO, PASS--ANALOG, PASS--SYSTEM, PASS--ASIC, PASS--ACQ, PASS--SIGNAL, PASS--MEMORY"` indicating the diagnostics results.

DIAG:RESUlt:FLAg? (Query Only)

This query returns the status of the diagnostic test area that has been selected.

Group Self Test

Syntax `DIAG:RESUlt:FLAg?`

Related Commands [DIAG:RESUlt:FLAg?](#)

Returns The status of the diagnostics (single area).

Examples `DIAG:RESULT:FLAG?` might return `DIAG:RESULT:FLAG "NOT RUN"` indicating the diagnostics have not been run.

DIAG:RESULT:LOG? (Query Only)

This query returns the test Pass/Fail status of each diagnostic area. It does not return the overall status.

Group Self Test

Syntax `DIAG:RESULT:LOG?`

Returns The status of the diagnostic area.

Examples `DIAG:RESULT:LOG?` might return `:DIAG:RESULT:LOG "PASS--IO, PASS--ANALOG, PASS--SYSTEM, PASS--ASIC, PASS--ACQ, PASS--SIGNAL, PASS--MEMORY"` indicating the diagnostics result stored in the log.

DIAG:SElect (No Query Form)

This command selects an available diagnostic area.

Group Self Test

Syntax `DIAG:SElect {ALL | IO | ANALOG | SYSTEM | ASIC | ACQ | SIGNAL | MEMORY}`

Arguments ALL selects all diagnostic areas.
 IO selects the IO group.
 ANALOG selects the ANALOG diagnostic area.
 SYSTEM selects the SYSTEM diagnostic area.
 ASIC selects the ASIC diagnostic area.
 ACQ selects the ACQ diagnostic area.
 SIGNAL selects the SIGNAL diagnostic area.
 MEMORY selects the MEMORY diagnostic area.

Examples `DIAG:SELECT IO` will select the IO group.

DIAG:STATE (No Query Form)

This command starts or aborts Self Test. Abort happens after group under test completes.

Group Self Test

Syntax `DIAG:STATE {EXECute|ABOrt}`

Arguments `EXECute` starts execution of the diagnostics.

`ABOrt` disables diagnostics capabilities and returns the instrument to a normal operating state.

Examples `DIAG:STATE ABOrt` turns off diagnostics capabilities and returns the instrument to a normal operating state.

`DIAG:STATE?` might return `DIAG:STATE ABOrt`, indicating that diagnostics are disabled.

DIGGRP<x>:D<x>:THReshold

Sets or queries the threshold level in volts for the specified digital channel. If the source channel doesn't exist, a hardware missing error event is set.

Group Digital

Syntax `DIGGRP<x>:D<x>:THReshold <NR3>`
`DIGGRP<x>:D<x>:THReshold?`

Arguments `DIGGRP<x>` is the channel number.

`D<x>` is the digital channel bit number (0-7).

`<NR3>` is the threshold level in volts for the specified digital channel.

Examples DIGGRP1:D1:THRESHold 30.0E-3 sets the threshold to 30 mV.
 DIGGRP1:D1:THRESHold? might return DIGGRP1:D1:THRESHOLD 0.0E+0 indicating the threshold is 0.0 V.

DISplay? (Query Only)

This query-only command returns the current Display settings.

Group Display Control

Syntax DISplay?

Examples DISPLAY? might return DISPLAY:CLOCK 1;COLOR:PALETTE:IMAGEVIEW MONOGREEN; RECORDVIEW TEMPERATURE;USER:GRATICULE 165,50,15;CH1 180,50,100; CH2 300,50,100;CH3 60,50,100;CH4 240,50,100;REF1 0,90,0; REF2 0,90,100;REF3 60,90,100;REF4 240,90,100;MATH1 160,50,100; MATH2 40,60,100;MATH3 120,60,100;MATH4 195,50,100; HISTOGRAM 320,50,100;CARET 150,50,100;MASK 0,25,75;MASKHIGHLIGHT 140,50,100;:DISPLAY:COLOR:MATHCOLOR DEFAULT;REFCOLOR DEFAULT; :DISPLAY:FILTER SINX;FORMAT YT;GRATICULE IRE;INTENSITY :WAVEFORM:IMAGEVIEW 81.0000;RECORDVIEW 81.0000;:DISPLAY :INTENSITY:AUTOBRIGHT 0; :DISPLAY:PERSISTENCE OFF;STYLE DOTS;TRIGBAR OFF;TRIG 1; CURSORTICK LONG;VARPERSIST 2.6000;SCREENTEXT:STATE 1; LABEL1:NAME "";XPOS 100;YPOS 5;:DISPLAY:SCREENTEXT :LABEL2:NAME "THIS IS SCREEN TEXT";XPOS 100;YPOS 20; :DISPLAY:SCREENTEXT:LABEL3:NAME "";XPOS 100;YPOS 35; :DISPLAY:SCREENTEXT:LABEL4:NAME "";XPOS 100;YPOS 50; :DISPLAY:SCREENTEXT:LABEL5:NAME "";XPOS 100;YPOS 343; :DISPLAY:SCREENTEXT:LABEL6:NAME "";XPOS 100;YPOS 80; :DISPLAY:SCREENTEXT:LABEL7:NAME "";XPOS 100;YPOS 95; :DISPLAY:SCREENTEXT:LABEL8:NAME "";XPOS 100;YPOS 110; :DISPLAY:WAVEFORM 1.

DISplay:{CH<x>|MATH<x>|REF<x>}:INVERTColor

This command sets or queries the Inverted mode color of the specified input source to the specified color. You can assign one of 48 unique colors to any channel, math, or reference waveform. These colors replace the default Inverted colors and remain in effect until you reset the colors.

Group	Display
Syntax	<pre>DISplay:{CH<x> MATH<x> REF<x>}:INVERTColor COLOR<x> DISplay:{CH<x> MATH<x> REF<x>}:INVERTColor?</pre>
Arguments	<p>CH<x> specifies the input channel for which you want to change the waveform color, where <x> is the channel number.</p> <p>MATH<x> specifies the math waveform for which you want to change the waveform color, where <x> is the math waveform number.</p> <p>REF<x> specifies the reference waveform for which you want to change the waveform color, where <x> is the reference waveform number.</p> <p>COLOR<x> specifies the color to assign to the specified waveform, where <x> = 0 to 47.</p>
Examples	<p>DISplay:CH1:INVERTColor COLOR23 sets the channel 2 Inverted waveform color to the value 23.</p> <p>DISplay:REF3:INVERTColor? might return COLOR2, indicating that the Inverted waveform color setting for reference waveform 3 is 2.</p>

DISplay:{CH<x>|MATH<x>|REF<x>}:NORMALColor

This command sets or queries the normal mode color of the specified input source to the specified color. You can assign one of 48 unique colors to any channel, math, or reference waveform. These colors replace the default normal colors and remain in effect until you reset the colors.

Group	Display
Syntax	<pre>DISplay:{CH<x> MATH<x> REF<x>}:NORMALColor COLOR<x> DISplay:{CH<x> MATH<x> REF<x>}:NORMALColor?</pre>
Arguments	<p>CH<x> specifies the input channel for which you want to change the waveform color, where <x> is the channel number.</p> <p>MATH<x> specifies the math waveform for which you want to change the waveform color, where <x> is the math waveform number.</p> <p>REF<x> specifies the reference waveform for which you want to change the waveform color, where <x> is the reference waveform number.</p>

COLOR<x> specifies the color to assign to the specified waveform, where <x> = 0 to 47.

Examples `DISPlay:CH1:NORMALColor COLOR13` sets the channel 2 normal waveform color to the value 13.

`DISPlay:REF3:NORMALColor?` might return `COLOR12`, indicating that the normal waveform color setting for reference waveform 3 is 12.

DISPlay:COLors

Sets or queries the color mode for the graticule and waveform display.

Group Display Control

Syntax `DISPlay:COLors {NORMAL|INVERTed}`
`DISPlay:COLors?`

Arguments `NORMAL` specifies normal color mode.
`INVERTed` specifies inverted color mode.

Examples `DISPLAY:COLORS NORMAL` sets the display colors to normal.
`DISPLAY:COLORS?` might return `DISPLAY:COLORS INVERTED` indicating the display colors are inverted.

DISPlay:GLObal:B<x>:STATE

This command sets or queries the global state (display mode On or Off) of the specified bus. Setting this value true (On or `NR1 ≠ 0`) turns on the source in the waveform view. Setting this value false (Off or `NR1 = 0`) turns off the source in the waveform view. This command only works if the specified bus is added already.

Group Display Control

Syntax `DISPlay:GLObal:B<x>:STATE {<NR1>|OFF|ON}`
`DISPlay:GLObal:B<x>:STATE?`

Arguments <NR1> = 0 disables the display of the specified bus; any other value enables display of the bus.

ON enables display of the specified bus.

OFF disables display of the specified bus.

Examples `DISPlay:GLObal:B1:STATE OFF` turns off the display of bus 1.

`DISPlay:GLObal:B1:STATE?` might return `DISPLAY:GLOBAL:B1:STATE 1` indicating the bus is displayed.

DISPlay:GLObal:CH<x>:STATE

This command sets or queries the global state (display mode On or Off) of the specified channel (both analog and digital). Setting this value true (On or NR1 ≠ 0) turns on the source in the waveform view. Setting this value false (Off or NR1 = 0) turns off the source in the waveform view. This command only works if the specified channel is added already.

Group Display Control

Syntax `DISPlay:GLObal:CH<x>:STATE {<NR1>|OFF|ON}`
`DISPlay:GLObal:CH<x>:STATE?`

Arguments <NR1> = 0 disables the display of the specified channel; any other value enables display of the channel.

ON enables display of the specified channel.

OFF disables display of the specified channel.

Examples `DISPlay:GLObal:CH1:STATE OFF` turns off the display of channel 1.

`DISPlay:GLObal:CH1:STATE?` might return `:DISPLAY:GLOBAL:CH1:STATE 0` indicating that channel 1 is not displayed.

DISPlay:GLObal:MATH<x>:STATE

This command sets or queries the global state (display mode On or Off) of the specified math. Setting this value true (On or NR1 ≠ 0) turns on the source in the waveform view. Setting this value false (Off or NR1 = 0) turns off the source in the waveform view. This command only works if the specified math waveform is added already.

Group	Display Control
Syntax	<pre>DISPlay:GLObal:MATH<x>:STATE {<NR1> OFF ON} DISPlay:GLObal:MATH<x>:STATE?</pre>
Arguments	<p><NR1> = 0 disables the display of the specified math; any other value enables display of the math.</p> <p>ON enables display of the specified math.</p> <p>OFF disables display of the specified math.</p>
Examples	<pre>DISPlay:GLObal:MATH1:STATE 1 displays math 1. DISPlay:GLObal:MATH1:STATE? might return :DISPLAY:GLOBAL:MATH1:STATE 1 indicating that math1 is displayed.</pre>

DISPlay:GLObal:PLOT<x>:STATE

This command sets or queries the global state (display mode On or Off) of the specified time trend plot. Setting this value true (On or NR1 ≠ 0) turns on the source in the waveform view. Setting this value false (Off or NR1 = 0) turns off the source in the waveform view. This command only works if the specified plot is added already.

Group	Display Control
Syntax	<pre>DISPlay:GLObal:PLOT<x>:STATE {<NR1> OFF ON} DISPlay:GLObal:PLOT<x>:STATE?</pre>
Arguments	<p>PLOT<x> is the plot number.</p> <p><NR1> = 0 disables the display of the specified plot; any other value enables display of the plot.</p> <p>ON enables display of the specified plot.</p> <p>OFF disables display of the specified plot.</p>
Examples	<pre>DISPlay:GLObal:PLOT1:STATE ON displays plot 1. DISPlay:GLObal:PLOT1:STATE? might return :DISPLAY:GLOBAL:PLOT1:STATE 1 indicating plot 1 is displayed.</pre>

DISplay:GLObal:REF<x>:STATE

this command sets or queries the global state (display mode On or Off) of the specified reference waveform. Setting this value true (On or NR1 ≠ 0) turns on the source in the waveform view. Setting this value false (Off or NR1 = 0) turns off the source in the waveform view. This command only works if the specified reference waveform is added already.

Group Display Control

Syntax DISplay:GLObal:REF<x>:STATE {<NR1>|OFF|ON}
DISplay:GLObal:REF<x>:STATE?

Arguments REF<x> is the Reference waveform number.

<NR1> = 0 disables the display of the specified reference; any other value enables display of the reference.

ON enables display of the specified reference.

OFF disables display of the specified reference.

Examples DISplay:GLObal:REF1:STATE 1 displays reference 1.

DISplay:GLObal:REF1:STATE? might return
:DISPLAY:GLOBAL:REF1:STATE 1 indicating that reference 1 is displayed.

DISplay:INTENSITY? (Query Only)

This query-only command returns the waveform saturation level and screen saver settings.

Group Display Control

Syntax DISplay:INTENSITY?

Examples DISPLAY:INTENSITY? might return :DISPLAY:INTENSITY:BACKLIGHT 1, indicating the intensity is set to 1.

DISplay:INTENSITY:BACKLight

This command sets or queries the display backlight intensity setting.

Group	Display Control
Syntax	DISPlay:INTENSITY:BACKLight {LOW MEDIum HIGH} DISPlay:INTENSITY:BACKLight?
Arguments	LOW selects a low brightness level. MEDIum selects a moderate brightness level. HIGH selects a full brightness level.
Examples	DISPLAY:INTENSITY:BACKLIGHT LOW sets the display backlight to low brightness level. DISPLAY:INTENSITY:BACKLIGHT? might return DISPLAY:INTENSITY:BACKLIGHT HIGH, indicating that the display backlight is set to full brightness level.

DISPlay:INTENSITY:BACKLight:AUTODim:ENABle

Sets or queries the state of the display auto-dim feature. The default is enabled. Once the backlight has dimmed, any button push, knob turn or mouse movement returns the backlight value to the value set by :DISPlay:INTENSITY:BACKLight.

Group	Display Control
Syntax	DISPlay:INTENSITY:BACKLight:AUTODim:ENABle {ON OFF} DISPlay:INTENSITY:BACKLight:AUTODim:ENABle?
Related Commands	DISPlay:INTENSITY:BACKLight
Arguments	ON enables the display auto-dim feature. OFF disables the display auto-dim feature.
Examples	DISPLAY:INTENSITY:BACKLIGHT:AUTODIM:ENABLE ON enables auto-dimming of the backlight. DISPLAY:INTENSITY:BACKLIGHT:AUTODIM:ENABLE? might return DISPLAY:INTENSITY:BACKLIGHT:AUTODIM:ENABLE ON, indicating that auto-dimming of the backlight is enabled.

DISplay:INTENSITy:BACKLight:AUTODim:TIME

Sets or queries the amount of time, in minutes, to wait for no user interface activity before automatically dimming the display. The time can range from a minimum of 10 minutes to a maximum of 1440 minutes (24 hours). The default is 10 minutes.

Group	Display Control
Syntax	DISplay:INTENSITy:BACKLight:AUTODim:TIME <NR1> DISplay:INTENSITy:BACKLight:AUTODim:TIME?
Arguments	<NR1> is the amount of time, in minutes, to wait for no user interface activity before automatically dimming the display.
Examples	DISPLAY:INTENSITY:BACKLIGHT:AUTODIM:TIME 30 sets the backlight to autodim in 30 minutes. DISPLAY:INTENSITY:BACKLIGHT:AUTODIM:TIME? might return DISPLAY:INTENSITY:BACKLIGHT:AUTODIM:TIME 60, indicating the backlight will auto-dim in 60 minutes.

DISplay:MATHFFTView<x>:CURSor:ROLOCATION

This command sets or queries the location to display the specified Math FFT plot cursor readouts (in the plot graticule or in a badge in the Results Bar).

Group	Cursor
Syntax	DISplay:MATHFFTView<x>:CURSor:ROLOCATION {GRATICULE BADGE} DISplay:MATHFFTView<x>:CURSor:ROLOCATION?
Arguments	MATHFFTView<x> is the Math FFT plot number. GRATICULE sets the Math FFT plot cursor readouts to display as part of the cursors in the plot view. BADGE removes the Math FFT plot cursor readouts from the cursors in the graticule and displays the cursor information as a badge in the Results Bar.
Examples	DISplay:MATHFFTView4:CURSor:ROLOCATION GRATICULE sets the cursor readout information for Math FFT plot 4 to display in the plot graticule.

DISplay:MATHFFTView2:CURSor:ROLOCATION? might return
 DISplay:MATHFFTView2:CURSor:ROLOCATION BADGE, indicating that cursor
 readout information for Math FFT plot 2 is set to display as a badge in the Results
 Bar.

DISplay:MATHFFTView<x>:AUTOScale

This command sets or returns the enabled state of autoscale for Math/FFT waveforms.

Group Display Control

Syntax DISplay:MATHFFTView<x>:AUTOScale {OFF|ON|<NR1>
 DISplay:MATHFFTView<x>:AUTOScale?

Arguments MATHFFTView<x> is the Math-FFT waveform number.
 OFF disables the autoscale feature.
 ON enables the autoscale feature.
 <NR1> = 0 disables the autoscale feature; any other value enables the autoscale feature.

Examples DISplay:MATHFFTView1:AUTOScale OFF disables the autoscale feature.
 DISplay:MATHFFTView3:AUTOScale? might return
 DISPLAY:MATHFFTVIEW3:AUTOSCALE 1, indicating that autoscale
 is on for the Math3 FFT waveform.

DISplay:MATHFFTView<x>:CURSor:ASOURCE? (Query Only)

This command queries the Math-FFT waveform view source for cursor A.

Group Cursor

Syntax DISplay:MATHFFTView<x>:CURSor:ASOURCE?

Arguments MATHFFTView<x> is the Math-FFT waveform number.

Examples `DISPlay:MATHFFTView1:CURSor:ASOURce?` might return
`DISPLAY:MATHFFTVIEW1:CURSOR:ASOURCE MATH1`, indicating the source
is MATH 1.

DISPlay:MATHFFTView<x>:CURSor:BSOURce? (Query Only)

This command queries the Math-FFT waveform view source for cursor B.

Group Cursor

Syntax `DISPlay:MATHFFTView<x>:CURSor:BSOURce?`

Arguments `MATHFFTView<x>` is the Math-FFT waveform number.

Examples `DISPlay:MATHFFTView5:CURSor:BSOURce?` might return
`DISPLAY:MATHFFTVIEW5:CURSOR:BSOURCE MATH5`, indicating the source
is Math waveform MATH 5.

DISPlay:MATHFFTView<x>:CURSor:DDT? (Query Only)

This command queries the delta Y over delta X ($\Delta Y/\Delta X$) cursor readout value of the specified cursor in the specified Math-FFT view.

NOTE. *If the current cursor is set to horizontal mode, this command will time out.*

Group Cursor

Syntax `DISPlay:MATHFFTView<x>:CURSor:DDT?`

Arguments `MATHFFTView<x>` is the Math-FFT waveform number.

Examples `DISPlay:MATHFFTView<x>:CURSor:DDT?` might return
`DISPLAY:MATHFFTVIEW1:CURSOR:DDT 14.0056E-9`, indicating
the $\Delta Y/\Delta X$ cursor readout value is 14.0056E-9.

DISplay:MATHFFTView<x>:CURSor:FUNCtion

This command sets or queries the cursor type for the specified Math-FFT view.

Group	Cursor
Syntax	DISplay:MATHFFTView<x>:CURSor:FUNCtion {WAVEform VBARS HBARS SCREEN} DISplay:MATHFFTView<x>:CURSor:FUNCtion?
Arguments	<p>MATHFFTView<x> is the Math-FFT waveform number.</p> <p>WAVEform specifies to display the paired vertical cursors in YT display format for measuring waveform amplitude and time. Measurements are taken at where the cursor intersects the waveform, and tracks waveform changes.</p> <p>VBARS specifies vertical bar cursors, which measure in horizontal units.</p> <p>HBARS specifies horizontal bar cursors, which measure in vertical units.</p> <p>SCREEN specifies to display both horizontal and vertical bar cursors, which display the horizontal and vertical positions of the cursors, not waveform levels. Use these cursors to measure anywhere in the waveform display area.</p>
Examples	<p>DISplay:MATHFFTView5:CURSor:FUNCtion HBARS sets Math-FFT waveform 5 to use horizontal bar cursors.</p> <p>DISplay:MATHFFTView1:CURSor:FUNCtion? might return DISplay:MATHFFTView1:CURSor:FUNCtion? SCREEN, indicating that Math-FFT waveform 2 is set to use both horizontal and vertical cursors.</p>

DISplay:MATHFFTView<x>:CURSor:HBARS:APOSition

This command sets or returns the position of horizontal cursor A for the specified Math-FFT view.

Group	Cursor
Syntax	DISplay:MATHFFTView<x>:CURSor:HBARS:APOSition <NR3> DISplay:MATHFFTView<x>:CURSor:HBARS:APOSition?
Arguments	<p>MATHFFTView<x> is the Math-FFT waveform number.</p> <p><NR3> is the cursor position of the specified cursor in the specified view.</p>

Examples `DISPlay:MATHFFTView1:CURSor:HBArS:APOSition 50.0e-3` sets the position to 50 mV.

`DISPlay:MATHFFTView4:CURSor:HBArS:APOSition?` might return `DISPLAY:MATHFFTVIEW4:CURSOR:HBARS:APOSITION -274.2247E-3`, indicating the A cursor position is $-274.2247E-3$.

DISPlay:MATHFFTView<x>:CURSor:HBArS:AUNIts? (Query Only)

This command queries the vertical units of horizontal cursor A for the specified Math-FFT view.

Group Cursor

Syntax `DISPlay:MATHFFTView<x>:CURSor:HBArS:AUNIts?`

Arguments `MATHFFTView<x>` is the Math-FFT waveform number.

Examples `DISPlay:MATHFFTView1:CURSor:HBArS:AUNIts?` might return `DISPLAY:MATHFFTVIEW1:CURSOR:HBARS:AUNITS "dBm"`, indicating the vertical units are dBm.

DISPlay:MATHFFTView<x>:CURSor:HBArS:BPOSition

This command sets or returns the position of horizontal cursor B for the specified Math-FFT view.

Group Cursor

Syntax `DISPlay:MATHFFTView<x>:CURSor:HBArS:BPOSition <NR3>`
`DISPlay:MATHFFTView<x>:CURSor:HBArS:BPOSition?`

Arguments `MATHFFTView<x>` is the Math-FFT waveform number.

`<NR3>` is the vertical cursor B position for the specified Math-FFT view.

Examples `DISPlay:MATHFFTView1:CURSor:HBArS:BPOSition 50e-3` sets the position to 0.005 vertical units.

`DISPlay:MATHFFTView1:CURSOR:HbARS:BPOSITION?` might return
`DISPLAY:MATHFFTVIEW1:CURSOR:HbARS:BPOSITION -40.4061`, indicating
the position is -40.4061 vertical units.

`DISPlay:MATHFFTView<x>:CURSOR:HbARS:BUNIts? (Query Only)`

This command queries the vertical units of horizontal cursor B for the specified Math-FFT view.

Group	Cursor
Syntax	<code>DISPlay:MATHFFTView<x>:CURSOR:HbARS:BUNIts?</code>
Arguments	<code>MATHFFTView<x></code> is the Math-FFT waveform number.
Examples	<code>DISPlay:MATHFFTView3:CURSOR:HbARS:BUNIts?</code> might return <code>DISPLAY:MATHFFTVIEW3:CURSOR:HbARS:BUNITS "dBm"</code> , indicating the cursor units are dBm.

`DISPlay:MATHFFTView<x>:CURSOR:HbARS:DELTA? (Query Only)`

This command queries the horizontal cursor's delta value of the specified Math-FFT view.

Group	Cursor
Syntax	<code>DISPlay:MATHFFTView<x>:CURSOR:HbARS:DELTA?</code>
Arguments	<code>MATHFFTView<x></code> is the Math-FFT waveform number.
Examples	<code>DISPlay:MATHFFTView1:CURSOR:HbARS:DELTA?</code> might return <code>DISPLAY:MATHFFTVIEW1:CURSOR:HbARS:DELTA 30.61448</code> , indicating the cursor readout is 30.61448 units.

`DISPlay:MATHFFTView<x>:CURSOR:MODE`

This command sets or queries the cursor tracking mode of the specified Math-FFT view.

Group	Cursor
Syntax	<code>DISPlay:MATHFFTView<x>:CURSOR:MODE {INDEPENDENT TRACK}</code>
Arguments	<p><code>MATHFFTView<x></code> is the Math-FFT waveform number.</p> <p><code>INDEPENDENT</code> allows independent adjustment of the two cursors.</p> <p><code>TRACK</code> ties the navigational functionality of the two cursors together. For cursor 1 adjustments, this ties the movement of the two cursors together; however, cursor 2 continues to move independently of cursor 1.</p>
Examples	<p><code>DISPlay:MATHFFTView1:CURSOR:MODE INDEPENDENT</code> allows independent adjustment of the two cursors.</p> <p><code>DISPlay:MATHFFTView1:CURSOR:MODE?</code> might return <code>:DISPLAY:MATHFFTVIEW1:CURSOR:MODE INDEPENDENT</code>, indicating the mode is set to independent.</p>

DISPlay:MATHFFTView<x>:CURSOR:ONEOVERDELTAVALUE? (Query Only)

This command queries the one over delta cursor readout value of the specified Math-FFT view.

Group	Cursor
Syntax	<code>DISPlay:MATHFFTView<x>:CURSOR:ONEOVERDELTAVALUE?</code>
Arguments	<code>MATHFFTView<x></code> is the Math-FFT waveform number.
Examples	<p><code>DISPlay:MATHFFTView1:CURSOR:ONEOVERDELTAVALUE?</code> might return <code>DISPLAY:MATHFFTVIEW1:CURSOR:ONEOVERDELTAVALUE 2.6005E-9</code>, indicating the one over delta time value is 2.6005 nanoseconds.</p>

DISPlay:MATHFFTView<x>:CURSOR:SCREEN:AXPOSITION

This command sets or returns the vertical cursor A x-axis waveform measurement position of the specified Math-FFT view.

Group	Cursor
--------------	--------

Syntax	<code>DISPlay:MATHFFTView<x>:CURSOR:SCREEN:AXPOSITION <NR3></code> <code>DISPlay:MATHFFTView<x>:CURSOR:SCREEN:AXPOSITION?</code>
Arguments	<code>MATHFFTView<x></code> is the Math-FFT waveform number. <code><NR3></code> is the cursor position in MHz.
Examples	<code>DISPLAY:MATHFFTVIEW1:CURSOR:SCREEN:AXPOSITION 700.000E+6</code> sets the cursor position to 700 MHz. <code>DISPLAY:MATHFFTVIEW3:CURSOR:SCREEN:AXPOSITION?</code> might return <code>DISPLAY:MATHFFTVIEW3:CURSOR:SCREEN:AXPOSITION 125.000E+6</code> , indicating the x-axis value of cursor A is 125 MHz.

DISPlay:MATHFFTView<x>:CURSOR:SCREEN:AYPOSITION

This command sets or returns the vertical cursor A y-axis amplitude measurement value of the specified Math-FFT view.

Group	Cursor
Syntax	<code>DISPlay:MATHFFTView<x>:CURSOR:SCREEN:AYPOSITION <NR3></code> <code>DISPlay:MATHFFTView<x>:CURSOR:SCREEN:AYPOSITION?</code>
Arguments	<code>MATHFFTView<x></code> is the Math-FFT waveform number. <code><NR3></code> is the cursor A position of the specified cursor in the specified view.
Examples	<code>DISPlay:MATHFFTView2:CURSOR:SCREEN:AYPOSITION 1.0e0</code> sets the cursor position to 1.0 dBm. <code>DISPlay:MATHFFTView5:CURSOR:SCREEN:AYPOSITION?</code> might return <code>DISPLAY:MATHFFTVIEW5:CURSOR:SCREEN:AYPOSITION 1.1741714106633</code> , indicating the cursor position is 1.174 vertical units (such as dBm).

DISPlay:MATHFFTView<x>:CURSOR:SCREEN:BXPOSITION

This command sets or returns the vertical cursor Bx-axis waveform time measurement position of the specified Math-FFT view.

Group	Cursor
--------------	--------

Syntax `DISPlay:MATHFFTView<x>:CURSor:SCREEN:BXPosition <NR3>`
`DISPlay:MATHFFTView<x>:CURSor:SCREEN:BXPosition?`

Arguments `MATHFFTView<x>` is the Math-FFT waveform number.
`<NR3>` is the horizontal cursor B position of the specified cursor in the specified view.

Examples `DISPlay:MATHFFTView1:CURSor:SCREEN:BXPosition 3.5e9` sets the cursor position to 3.5 GHz.

`DISPlay:MATHFFTView1:CURSor:SCREEN:BXPosition?` might return `DISPLAY:MATHFFTVIEW1:CURSOR:SCREEN:BXPOSITION 2.50E+9`, indicating the cursor position is 2.5 GHz.

DISPlay:MATHFFTView<x>:CURSor:SCREEN:BYPosition

This command sets or returns the vertical cursor B y-axis amplitude measurement value of the specified Math-FFT view.

Group Cursor

Syntax `DISPlay:MATHFFTView<x>:CURSor:SCREEN:BYPosition <NR3>`
`DISPlay:MATHFFTView<x>:CURSor:SCREEN:BYPosition?`

Arguments `MATHFFTView<x>` is the Math-FFT waveform number.
`<NR3>` is the vertical cursor B position of the specified cursor in the specified view.

Examples `DISPlay:MATHFFTView1:CURSor:SCREEN:BYPosition -50.0e0` sets the cursor position to -50.0.

`DISPlay:MATHFFTView4:CURSor:SCREEN:BYPosition?` might return `DISPLAY:MATHFFTVIEW4:CURSOR:SCREEN:BYPOSITION -59.0460929065173`, indicating the cursor position is at -59.0 dBm.

DISPlay:MATHFFTView<x>:CURSor:STATE

This command sets or queries the visible state of cursors for the specified Math-FFT view.

Group Cursor

Syntax	<pre>DISPlay:MATHFFTView<x>:CURSOR:STATE {ON OFF 0 1} DISPlay:MATHFFTView<x>:CURSOR:STATE?</pre>
Arguments	<p>MATHFFTView<x> is the Math-FFT waveform number.</p> <p>ON enables the cursors.</p> <p>1 enables the cursors.</p> <p>OFF disables the cursors.</p> <p>0 disables the cursors.</p>
Examples	<p>DISPlay:MATHFFTView2:CURSOR:STATE OFF turns off the cursors for Math-FFT waveform 2.</p> <p>DISPlay:MATHFFTView1:CURSOR:STATE? might return DISPLAY:MATHFFTVIEW1:CURSOR:STATE 1 indicating the cursors are enabled.</p>

DISPlay:MATHFFTView<x>:CURSOR:VBARS:APOSITION

This command sets or queries the horizontal cursor A position for the specified Math-FFT view.

Group	Cursor
Syntax	<pre>DISPlay:MATHFFTView<x>:CURSOR:VBARS:APOSITION <NR3> DISPlay:MATHFFTView<x>:CURSOR:VBARS:APOSITION?</pre>
Arguments	<p>MATHFFTView<x> is the Math-FFT waveform number.</p> <p><NR3> sets the vertical cursor A position in the specified view.</p>
Examples	<p>DISPlay:MATHFFTView1:CURSOR:VBARS:APOSITION 500.0e6 sets the cursor A position to 500 MHz.</p> <p>DISPlay:MATHFFTView1:CURSOR:VBARS:APOSITION? might return DISPLAY:MATHFFTVIEW1:CURSOR:VBARS:APOSITION 585.533869115958E+6, indicating cursor position is 585.5 MHz.</p>

DISplay:MATHFFTView<x>:CURSor:VBArS:AUNIts? (Query Only)

This command queries the vertical cursor A measurement units for the specified Math-FFT view.

Group	Cursor
Syntax	DISplay:MATHFFTView<x>:CURSor:VBArS:AUNIts?
Arguments	MATHFFTView<x> is the Math-FFT waveform number.
Examples	DISplay:MATHFFTView1:CURSor:VBArS:AUNIts? might return :DISPLAY:MATHFFTVIEW1:CURSOR:VBARS:UNITS "dBm", indicating the cursor units are dBm.

DISplay:MATHFFTView<x>:CURSor:VBArS:BPOStion

This command sets or queries the vertical cursor B position for the specified Math-FFT view.

Group	Cursor
Syntax	DISplay:MATHFFTView<x>:CURSor:VBArS:BPOStion <NR3> DISplay:MATHFFTView<x>:CURSor:VBArS:BPOStion?
Arguments	MATHFFTView<x> is the Math-FFT waveform number. <NR3> sets the vertical cursor B position in the specified view.
Examples	DISplay:MATHFFTView1:CURSor:VBArS:BPOStion 2.0e9 sets the cursor B position to 2.0 GHz. DISplay:MATHFFTView1:CURSor:VBArS:BPOStion? might return DISPLAY:MATHFFTVIEW1:CURSOR:VBARS:BPOSITION 2.50E+9, indicating the cursor position is at 2.5 GHz.

DISplay:MATHFFTView<x>:CURSor:VBArS:BUNIts? (Query Only)

This command queries the vertical cursor B measurement units for the specified Math-FFT view.

Group	Cursor
Syntax	DISPlay:MATHFFTView<x>:CURSOR:VBARS:BUNITS?
Arguments	MATHFFTView<x> is the Math-FFT waveform number.
Examples	DISPlay:MATHFFTView1:CURSOR:VBARS:BUNITS? might return :DISPLAY:MATHFFTVIEW1:CURSOR:VBARS:BUNITS "Hz" indicating the cursor units are Hz.

DISPlay:MATHFFTView<x>:CURSOR:VBARS:DELTA? (Query Only)

This command queries the vertical cursor's delta T readout value for the specified Math-FFT view.

Group	Cursor
Syntax	DISPlay:MATHFFTView<x>:CURSOR:VBARS:DELTA?
Arguments	MATHFFTView<x> is the Math-FFT waveform number.
Examples	DISPlay:MATHFFTView1:CURSOR:VBARS:DELTA? might return DISPLAY:MATHFFTVIEW1:CURSOR:VBARS:DELTA 1.9144661308840E+9, indicating the delta T cursor value is 1.9 GHz.

DISPlay:MATHFFTView<x>:CURSOR:WAVEform:APOSition

This command sets or queries the waveform cursor A position for the specified Math-FFT view.

Group	Cursor
Syntax	DISPlay:MATHFFTView<x>:CURSOR:WAVEform:APOSition <NR3> DISPlay:MATHFFTView<x>:CURSOR:WAVEform:APOSition?
Arguments	MATHFFTView<x> is the Math-FFT waveform number. <NR3> is the waveform cursor A position in the specified plot view.

Examples `DISPlay:MATHFFTView1:CURSor:WAVEform:APOSition 600.0e6` sets the position to 600 MHz.

`DISPlay:MATHFFTView1:CURSor:WAVEform:APOSition?` might return `DISPLAY:MATHFFTVIEW1:CURSOR:WAVEFORM:APOSITION 25.000E+6`, indicating the cursor position is 25 MHz.

DISplay:MATHFFTView<x>:CURSor:WAVEform:BPOSition

This command sets or queries the waveform cursor B position for the specified Math-FFT view.

Group Cursor

Syntax `DISPlay:MATHFFTView<x>:CURSor:WAVEform:BPOSition <NR3>`
`DISPlay:MATHFFTView<x>:CURSor:WAVEform:BPOSition?`

Arguments `MATHFFTView<x>` is the Math-FFT waveform number.

`<NR3>` is the waveform cursor B position in the specified plot view.

Examples `DISPlay:MATHFFTView1:CURSor:WAVEform:BPOSition 2.0E+9` sets the cursor position to 2.0 GHz.

`DISPlay:MATHFFTView1:CURSor:WAVEform:BPOSition?` might return `DISPLAY:MATHFFTVIEW1:CURSOR:WAVEFORM:BPOSITION 250.0E+6`, indicating the waveform cursor B position is 250 MHz.

DISplay:MATHFFTView<x>:GRIDlines

This command sets or queries the grid lines setting for the specified Math-FFT view.

Group Display Control

Syntax `DISPlay:MATHFFTView<x>:GRIDlines {HORIZONTAL|VERTICAL|BOTH}`
`DISPlay:MATHFFTView<x>:GRIDlines?`

Arguments `MATHFFTView<x>` is the Math-FFT waveform number.

`HORIZONTAL` specifies horizontal grid lines.

VERTICAL specifies vertical grid lines.

BOTH specifies both vertical and horizontal grid lines.

Examples `DISPlay:MATHFFTView1:GRIDLines` VERTICAL specifies vertical grid lines.
`DISPlay:MATHFFTView1:GRIDLines?` might return
`:DISPLAY:MATHFFTVIEW1:GRIDLINES` BOTH indicating both
horizontal and vertical grid lines are displayed.

DISPlay:MATHFFTView<x>:MATH:MATH<x>:STATE

This command sets or queries the display state of the specified math waveform for the specified Math-FFT view.

Group Display Control

Syntax `DISPlay:MATHFFTView<x>:MATH:MATH<x>:STATE {OFF|ON|<NR1>}`

Arguments `MATHFFTView<x>` is the Math-FFT waveform number.
OFF disables displaying the specified Math-FFT view.
ON enables displaying the specified Math-FFT view.
<NR1> = 0 disables the specified Math-FFT view; any other value enables the specified Math-FFT view.

Examples `DISPlay:MATHFFTView1:MATH:MATH1:STATE` ON enables the specified Math-FFT view.
`DISPlay:MATHFFTView4:MATH:MATH4:STATE?` might return
`:DISPLAY:MATHFFTVIEW1:MATH:MATH1:STATE 1`, indicating the waveform Math-FFT 1 is displayed.

DISPlay:MATHFFTView<x>:XAXIS:SCALE

This command sets or queries the x-axis scale (Linear or Log) for the specified Math-FFT view.

Group Display Control

Syntax `DISPlay:MATHFFTView<x>:XAXIS:SCALE {LINEAR|LOG}`
`DISPlay:MATHFFTView<x>:XAXIS:SCALE?`

Arguments `MATHFFTView<x>` is the Math-FFT waveform number.

`LINEAR` specifies a linear scale.

`LOG` specifies a logarithmic scale.

Examples `DISPlay:MATHFFTView1:XAXIS:SCALE LOG` specifies a logarithmic scale.

`DISPlay:MATHFFTView1:XAXIS:SCALE?` might return
`DISPLAY:MATHFFTVIEW1:XAXIS:SCALE LINEAR`, indicating that
the scale setting is linear.

DISPlay:MATHFFTView<x>:YAXIS:SCALE

This command sets or queries the vertical scale setting (Linear or dBm) for the specified Math-FFT view.

Group Display Control

Syntax `DISPlay:MATHFFTView<x>:YAXIS:SCALE {LINEAR|DBM}`
`DISPlay:MATHFFTView<x>:YAXIS:SCALE?`

Arguments `MATHFFTView<x>` is the Math-FFT waveform number.

`LINEAR` specifies a linear scale.

`DBM` specifies a dBm scale.

Examples `DISPlay:MATHFFTView1:YAXIS:SCALE LINEAR` specifies a linear scale.

`DISPlay:MATHFFTView1:YAXIS:SCALE?` might return
`DISPLAY:MATHFFTVIEW1:YAXIS:SCALE DBM`, indicating that the
scale is dBm.

DISPlay:MATHFFTView<x>:ZOOM:XAXIS:FROM

This command sets or queries the value of the left edge of the zoom area for the specified Math-FFT view.

Group Zoom

Syntax	<code>DISPlay:MATHFFTView<x>:ZOOM:XAXIS:FROM <NR3></code> <code>DISPlay:MATHFFTView<x>:ZOOM:XAXIS:FROM?</code>
Arguments	<code>MATHFFTView<x></code> is the Math-FFT waveform number. <code><NR3></code> is the value of the left edge of the zoom x axis in the specified plot view.
Examples	<code>DISPlay:MATHFFTView1:ZOOM:XAXIS:FROM 800.e6</code> sets the x axis value of the left edge of the plot view to 800 MHz. <code>DISPlay:MATHFFTView1:ZOOM:XAXIS:FROM?</code> might return <code>DISPLAY:MATHFFTVIEW1:ZOOM:XAXIS:FROM 781.0E+6</code> , indicating the x axis value of the left edge of the plot view is at 781 MHz.

DISPlay:MATHFFTView<x>:ZOOM:XAXIS:TO

This command sets or queries the value of the right edge value of the zoom area for the specified Math-FFT view.

Group	Zoom
Syntax	<code>DISPlay:MATHFFTView<x>:ZOOM:XAXIS:TO <NR3></code>
Arguments	<code>MATHFFTView<x></code> is the Math-FFT waveform number. <code><NR3></code> is the value of the right edge of the zoom x axis in the specified plot view.
Examples	<code>DISPlay:MATHFFTView1:ZOOM:XAXIS:TO 2.3E+9</code> sets the value of the right edge of the x axis to 2.3 GHz. <code>DISPlay:MATHFFTView1:ZOOM:XAXIS:TO?</code> might return <code>:DISPLAY:MATHFFTVIEW1:ZOOM:XAXIS:TO 2.343750E+9</code> , indicating the value of the right edge of the zoom x axis is 2.34 GHz.

DISPlay:MATHFFTView<x>:ZOOM:YAXIS:FROM

This command sets or queries the bottom edge value of the zoom y-axis area for the specified Math-FFT view.

Group	Zoom
--------------	------

Syntax `DISPlay:MATHFFTView<x>:ZOOM:YAXIS:FROM <NR3>`
`DISPlay:MATHFFTView<x>:ZOOM:YAXIS:FROM?`

Arguments `MATHFFTView<x>` is the Math-FFT waveform number.
`<NR3>` is the bottom value of the zoom y axis in the specified plot view.

Examples `DISPlay:MATHFFTView1:ZOOM:YAXIS:FROM -75.0e0` sets the bottom value of the y axis to -75 dBm.

`DISPlay:MATHFFTView1:ZOOM:YAXIS:FROM?` might return
`DISPLAY:MATHFFTVIEW1:ZOOM:YAXIS:FROM -78.8258285893367`
indicating the bottom value of the y axis is -78.8 dBm.

DISPlay:MATHFFTView<x>:ZOOM:YAXIS:TO

This command sets or queries the top edge value of the zoom y-axis area for the specified Math-FFT view.

Group Zoom

Syntax `DISPlay:MATHFFTView<x>:ZOOM:YAXIS:TO <NR3>`
`DISPlay:MATHFFTView<x>:ZOOM:YAXIS:TO?`

Arguments `MATHFFTView<x>` is the Math-FFT waveform number.
`<NR3>` is the top value of the zoom y axis in the specified plot view.

Examples `DISPlay:MATHFFTView1:ZOOM:YAXIS:TO 21.0E0` sets the top value of the zoom y axis in the specified plot view to 21 dBm.

`DISPlay:MATHFFTView1:ZOOM:YAXIS:TO?` might return
`DISPLAY:MATHFFTVIEW1:ZOOM:YAXIS:TO 21.1741714106633,`
indicating the top value of the zoom y axis in the specified plot view is 21.17 dBm.

DISPlay:MEAS<x>:NAVIGate:TYPE

This command sets or returns the badge navigation type for WBG measurements. Measurements are specified by x.

Group Display Control, WBG

Syntax	DISPlay:MEAS<x>:NAVIGate:TYPE {ALLOCCURRENCES FAILURES} DISPlay:MEAS<x>:NAVIGate:TYPE?
Arguments	ALLOCCURRENCES specifies the badge navigation type for WBG measurements as all occurrences. FAILURES specifies the badge navigation type for WBG measurements as failures.
Examples	DISPlay:MEAS1:NAVIGate:TYPE ALLOCCURRENCES specifies the badge navigation type as all occurrences. DISPlay:MEAS1:NAVIGate:TYPE? might return :DISPlay:MEAS1:NAVIGate:TYPE ALLOCCURRENCES, indicating that the badge navigation type is all occurrences.

DISPlay:PERSiStence

This command sets or queries the display persistence for analog waveforms. Persistence is valid for wave views only.

Group	Display Control
Syntax	DISPlay:PERSiStence {OFF AUTO INFPersist INFINite VARpersist CLEAR} DISPlay:PERSiStence?
Related Commands	DISPlay:VARpersist
Arguments	OFF disables the persistence aspect of the display. AUTO automatically set the persistence. INFPersist sets a display mode where any pixels, once touched by samples, remain set until cleared by a mode change. INFINite sets a display mode where any pixels, once touched by samples, remain set until cleared by a mode change. VARpersist sets a display mode where set pixels are gradually dimmed. CLEAR resets the persist time count down and clears the display of acquired points.
Examples	DISPLAY: PERSISTENCE VARPERSIST sets the persistence aspect of the display to fade set pixels according to the time set in the DISPlay:VARpersist command.

DISPLAY:PERSISTENCE? might return :DISPLAY:PERSISTENCE OFF, indicating that the persistence aspect of the display is disabled.

DISplay:PERSiStence:RESEt (No Query Form)

This command controls the clearing of persistence data that has been built up over time. Persistence is valid for wave views only.

Group Display Control

Syntax DISplay:PERSiStence:RESEt

Related Commands [DISplay:PERSiStence](#)
[DISplay:VARpersist](#)

Examples DISPLAY:PERSISTENCE:RESEt clears the display of persistence data.

DISplay:PLOTView<x>:CURSor:ROLOCAtION

This command sets or queries the location to display the specified plot cursor readouts (in the plot graticule or in a badge in the Results Bar).

Group Cursor

Syntax DISplay:PLOTView<x>:CURSor:ROLOCAtION {GRATICULE|BADGE}
DISplay:PLOTView<x>:CURSor:ROLOCAtION?

Arguments PLOTView<x> is the waveform plot number.

GRATICULE sets the plot cursor readouts to display as part of the cursors in the plot view.

BADGE removes the plot cursor readouts from the cursors in the graticule and displays the cursor information as a badge in the Results Bar.

Examples DISplay:PLOTView1:CURSor:ROLOCAtION GRATICULE sets the cursor readout information for plot 1 to display in the plot graticule.

DISplay:PLOTView2:CURSor:ROLOCATION? might return
 DISplay:PLOTView2:CURSor:ROLOCATION BADGE, indicating that cursor
 readout information for plot 2 is set to display as a badge in the Results Bar.

DISplay:PLOTView<x>:AUTOScale

This command sets or queries the enabled state of autoscale for the specified plot.

Group	Display Control
Syntax	DISplay:PLOTView<x>:AUTOScale {OFF ON <NR1>} DISplay:PLOTView<x>:AUTOScale?
Arguments	PLOTView<x> is the Plot waveform number. OFF disables the autoscale feature. ON enables the autoscale feature. <NR1> = 0 disables the autoscale feature; any other value enables the autoscale feature.
Examples	DISplay:PLOTView1:AUTOScale OFF turns off plot autoscale. DISplay:PLOTView3:AUTOScale? might return :DISPLAY:PLOTVIEW3:AUTOSCALE 0, indicating the plot autoscale is off for plot 3.

DISplay:PLOTView<x>:CURSor:ASOURce? (Query Only)

This command queries the cursor source for plot cursor A.

Group	Cursor
Syntax	DISplay:PLOTView<x>:CURSor:ASOURce?
Arguments	PLOTView<x> is the Plot waveform number.
Examples	DISplay:PLOTView1:CURSor:ASOURce? might return DISPLAY:PLOTVIEW1:CURSOR:ASOURCE PLOT1 indicating the source of the cursor is plot 1.

DISplay:PLOTView<x>:CURSor:BSOURce? (Query Only)

This command queries the cursor source for plot cursor B.

Group	Cursor
Syntax	DISplay:PLOTView<x>:CURSor:BSOURce?
Arguments	PLOTView<x> is the Plot waveform number.
Examples	DISplay:PLOTView1:CURSor:BSOURce? might return :DISPLAY:PLOTVIEW1:CURSOR:BSOURCE PLOT1 indicating the B cursor source is plot 1.

DISplay:PLOTView<x>:CURSor:DDT? (Query Only)

This command returns the delta V over delta T cursor readout value for the specified Plot view.

Group	Cursor
Syntax	DISplay:PLOTView<x>:CURSor:DDT?
Arguments	PlotView<x> is the Plot waveform number.
Examples	DISplay:PLOTView1:CURSor:DDT? might return :DISPLAY:PLOTVIEW1:CURSOR:DDT 131.0470E+6 indicating the cursor readout value is 131.0470E+6.

DISplay:PLOTView<x>:CURSor:FUNCTION

This command sets or queries the cursor mode for the specified Plot view.

Group	Cursor
Syntax	DISplay:PLOTView<x>:CURSor:FUNCTION {WAVEFORM VBArS HBArS SCREEN} DISplay:PLOTView<x>:CURSor:FUNCTION?

Arguments	<p>PLOTview<x> is the Plot waveform number.</p> <p>WAVEFORM specifies to display the paired cursors in YT display format for measuring waveform amplitude and time.</p> <p>VBARS specifies vertical bar cursors, which measure in horizontal units.</p> <p>HBARS specifies horizontal bar cursors, which measure in vertical units.</p> <p>SCREEN specifies to display both horizontal and vertical bar cursors, which measure the selected waveform in horizontal and vertical units. Use these cursors to measure anywhere in the waveform display area.</p>
Examples	<p>DISplay:PLOTview1:CURSor:FUNctIon VBARS displays vertical bar cursors.</p> <p>DISplay:PLOTview1:CURSor:FUNctIon? might return :DISPLAY:PLOTVIEW1:CURSOR:FUNCTION SCREEN indicating that both horizontal and vertical bar cursors are displayed.</p>

DISplay:PLOTView<x>:CURSor:HBARS:APOSition

This command sets or queries the horizontal cursor A position for the specified Plot view.

Group	Cursor
Syntax	<p>DISplay:PLOTview<x>:CURSor:HBARS:APOSition <NR3> DISplay:PLOTView<x>:CURSor:HBARS:APOSition?</p>
Arguments	<p>PLOTview<x> is the Plot waveform number.</p> <p><NR3> is the cursor position.</p>
Examples	<p>DISplay:PLOTview<x>:CURSor:HBARS:APOSition 2.0 sets the cursor to 2 Volts.</p> <p>DISplay:PLOTview<x>:CURSor:HBARS:APOSition? might return :DISPLAY:PLOTVIEW1:CURSOR:HBARS:APOSITION 2.2186 indicating the HBARS cursors are at 2.2186 Volts.</p>

DISplay:PLOTView<x>:CURSor:HBARS:AUNIts? (Query Only)

This command queries the horizontal cursor A vertical units for the specified Plot view.

Group	Cursor
Syntax	DISplay:PLOTView<x>:CURSor:HBArS:AUNItS?
Returns	PLOTView<x> is the Plot waveform number.
Examples	DISplay:PLOTView1:CURSor:HBArS:AUNItS? might return :DISPLAY:PLOTVIEW1:CURSOR:HBARS:AUNITS "V", indicating the A units are volts.

DISplay:PLOTView<x>:CURSor:HBArS:BPOStion

This command sets or queries the horizontal cursor B position for the specified Plot view.

Group	Cursor
Syntax	DISplay:PLOTView<x>:CURSor:HBArS:BPOStion <NR3> DISplay:PLOTView<x>:CURSor:HBArS:BPOStion?
Arguments	PLOTView<x> is the Plot waveform number. <NR3> is the HBArS vertical position.
Examples	DISplay:PLOTView<x>:CURSor:HBArS:BPOStion 2.0 sets the cursor to 2 Volts. DISplay:PLOTView<x>:CURSor:HBArS:BPOStion? might return :DISPLAY:PLOTVIEW1:CURSOR:HBARS:BPOSITION 2.2186 indicating the HBArS cursors are at 2.2186 Volts.

DISplay:PLOTView<x>:CURSor:HBArS:BUNItS? (Query Only)

This command queries the cursor B vertical units for the specified Plot view.

Group	Cursor
Syntax	DISplay:PLOTView<x>:CURSor:HBArS:BUNItS?

Arguments PLOTView<x> is the Plot waveform number.

Examples DISPlay:PLOTView1:CURSOR:HBARS:BUNITS? might return
:DISPLAY:PLOTVIEW1:CURSOR:HBARS:BUNITS "V" indicating the units are
Volts.

DISPlay:PLOTView<x>:CURSOR:HBARS:DELTA? (Query Only)

This command queries the delta V cursor readout value for the specified Plot view.

Group Cursor

Syntax DISPlay:PLOTView<x>:CURSOR:HBARS:DELTA?

Arguments PLOTView<x> is the Plot waveform number.

Returns Returns an <NR3> that is the delta V cursor value.

Examples DISPlay:PLOTView1:CURSOR:HBARS:DELTA? might return
:DISPLAY:PLOTVIEW1:CURSOR:HBARS:DELTA 1.2543, indicating the delta
value is 1.2543 V.

DISPlay:PLOTView<x>:CURSOR:MODE

This command sets or queries the cursor tracking mode for the specified Plot view.

Group Cursor

Syntax DISPlay:PLOTView<x>:CURSOR:MODE {INDEPENDENT|TRACK}
DISPlay:PLOTView<x>:CURSOR:MODE?

Arguments PLOTView<x> is the Plot waveform number.

INDEPENDENT allows independent adjustment of the two cursors.

TRACK ties the navigational functionality of the two cursors together. For cursor A adjustments, this ties the movement of the two cursors together; however, cursor B continues to move independently of cursor A.

Examples `DISPlay:PLOTView1:CURSor:MODE TRACK` sets the cursor to track together.
`DISPlay:PLOTView1:CURSor:MODE?` might return
`:DISPLAY:PLOTVIEW1:CURSOR:MODE INDEPENDENT`, indicating independent adjustment of the cursors is allowed.

DISPlay:PLOTView<x>:CURSor:ONEOVERDELTAVALUE? (Query Only)

This command sets or queries the one over delta T cursor readout value for the specified Plot view.

Group Cursor

Syntax `DISPlay:PLOTView<x>:CURSor:ONEOVERDELTAVALUE?`

Arguments `PLOTView<x>` is the Plot waveform number.

Returns Returns an <NR3> that is the one over delta T cursor readout value (it may not be delta T, depending on the plot units).

Examples `DISPlay:PLOTView<x>:CURSor:ONEOVERDELTAVALUE?` might return
`:DISPLAY:PLOTVIEW1:CURSOR:ONEOVERDELTAVALUE 88.2295E+6`
indicating the 1 over delta time value is 88.2295 MHz.

DISPlay:PLOTView<x>:CURSor:SCREEN:AXPOSITION

This command sets or queries the horizontal cursor A position of the specified cursor in the specified view.

Group Cursor

Syntax `DISPlay:PLOTView<x>:CURSor:SCREEN:AXPOSITION <NR3>`
`DISPlay:PLOTView<x>:CURSor:SCREEN:AXPOSITION?`

Arguments `PLOTView<x>` is the Plot waveform number.
`<NR3>` is the horizontal cursor A position.

Examples `DISPlay:PLOTView1:CURSor:SCREEN:AXPosition -5.0` sets the A X cursor position to -5.0 ns.

`DISPlay:PLOTView1:CURSor:SCREEN:AXPosition?` might return `:DISPLAY:PLOTVIEW1:CURSOR:SCREEN:AXPOSITION -5.5460E-9` indication the cursor A X position is -5.546 ns.

DISPlay:PLOTView<x>:CURSor:SCREEN:AYPosition

This command sets or queries the vertical cursor A position of the specified cursor in the specified view.

Group Cursor

Syntax `DISPlay:PLOTView<x>:CURSor:SCREEN:AYPosition <NR3>`
`DISPlay:PLOTView<x>:CURSor:SCREEN:AYPosition?`

Arguments `PLOTView<x>` is the Plot waveform number.
`<NR3>` is the vertical cursor A position.

Examples `DISPlay:PLOTView1:CURSor:SCREEN:AYPosition 2.0` set the A cursor Y position to 2.0 Volts.

`DISPlay:PLOTView1:CURSor:SCREEN:AYPosition?` might return `:DISPLAY:PLOTVIEW1:CURSOR:SCREEN:AYPOSITION 1.9035` indicating the A cursor Y position is 1.9035 V.

DISPlay:PLOTView<x>:CURSor:SCREEN:BXPosition

This command sets or queries the horizontal cursor B position of the specified cursor in the specified view.

Group Cursor

Syntax `DISPlay:PLOTView<x>:CURSor:SCREEN:BXPosition <NR3>`
`DISPlay:PLOTView<x>:CURSor:SCREEN:BXPosition?`

Arguments `PLOTView<x>` is the Plot waveform number.
`<NR3>` is the horizontal cursor B position.

Examples `DISplay:PLOTView1:CURSor:SCREEN:BXPOSITION 59.0E-9` sets the B cursor X position to 59.0 ns.

`DISplay:PLOTView1:CURSor:SCREEN:BXPOSITION?` might return `:DISPLAY:PLOTVIEW1:CURSOR:SCREEN:BXPOSITION 59.6802E-9` indicating the B cursor X position is 59.6802 ns.

DISplay:PLOTView<x>:CURSor:SCREEN:BYPOSITION

This command sets or queries the vertical cursor B position of the specified cursor in the specified view.

Group Cursor

Syntax `DISplay:PLOTView<x>:CURSor:SCREEN:BYPOSITION <NR3>`
`DISplay:PLOTView<x>:CURSor:SCREEN:BYPOSITION?`

Arguments `PLOTView<x>` is the Plot waveform number.
`<NR3>` is the vertical cursor B position.

Examples `DISplay:PLOTView1:CURSor:SCREEN:BYPOSITION 0.589` sets the B cursor Y position to 589 mV.

`DISplay:PLOTView1:CURSor:SCREEN:BYPOSITION?` might return `:DISPLAY:PLOTVIEW1:CURSOR:SCREEN:BYPOSITION 589.0696E-3` indicating the B cursor Y position is 589.0696 mV.

DISplay:PLOTView<x>:CURSor:SPLITMODE

This command sets or queries the cursor source mode in the specified view.

Group Cursor

Syntax `DISplay:PLOTView<x>:CURSor:SPLITMODE {SAME|SPLIT}`
`DISplay:PLOTView<x>:CURSor:SPLITMODE?`

Arguments `PLOTView<x>` is the Plot waveform number.

`SAME` specifies that both cursors are on the same waveform.

`SPLIT` specifies that the cursors can be on different waveforms.

Examples `DISPlay:PLOTView1:CURSor:SPLITMODE SAME` sets the cursors to be on the same waveform.

`DISPlay:PLOTView1:CURSor:SPLITMODE?` might return
`:DISPLAY:PLOTVIEW1:CURSOR:SPLITMODE SAME` indicating both cursors are on the same waveform.

DISPlay:PLOTView<x>:CURSor:STATE

This command sets or queries the visible state of the cursor of the specified cursor in the specified view.

Group Cursor

Syntax `DISPlay:PLOTView<x>:CURSor:STATE {OFF|ON|<NR1>}`
`DISPlay:PLOTView<x>:CURSor:STATE?`

Arguments `PLOTView<x>` is the Plot waveform number.

`OFF` disables the specified cursor.

`ON` enables the specified cursor.

`<NR1> = 0` disables the specified cursor; any other value enables the specified cursor.

Examples `DISPlay:PLOTView1:CURSor:STATE OFF` disables the specified cursor.

`DISPlay:PLOTView5:CURSor:STATE?` might return
`:DISPLAY:PLOTVIEW5:CURSOR:STATE 1` indicating cursors are on.

DISPlay:PLOTView<x>:CURSor:VBArS:APOSition

This command sets or queries the vertical cursor A position of the specified cursor in the specified view.

Group Cursor

Syntax `DISPlay:PLOTView<x>:CURSor:VBArS:APOSition <NR3>`
`DISPlay:PLOTView<x>:CURSor:VBArS:APOSition?`

Arguments	PLOTView<x> is the Plot waveform number. <NR3> is the vertical cursor A position.
Examples	DISplay:PLOTView1:CURSor:VBARS:APOSition 50.0E-9 sets the VBARS APOSITION to 50 ns. DISplay:PLOTView1:CURSor:VBARS:APOSition? might return :DISPLAY:PLOTVIEW1:CURSOR:VBARS:APOSITION -60.0796E-9 indicating the VBARS APOSITION is set to -60.08 ns.

DISplay:PLOTView<x>:CURSor:VBARS:BPOSITION

This command sets or queries the vertical cursor B position of the specified cursor in the specified view.

Group	Cursor
Syntax	DISplay:PLOTView<x>:CURSor:VBARS:BPOSITION <NR3> DISplay:PLOTView<x>:CURSor:VBARS:BPOSITION?
Arguments	PLOTView<x> is the Plot waveform number. <NR3> is the vertical cursor B position.
Examples	:DISPLAY:PLOTVIEW1:CURSOR:VBARS:BPOSITION 50.0E-9 sets the VBARS BPOSITION to 50 ns. :DISPLAY:PLOTVIEW1:CURSOR:VBARS:BPOSITION? might return :DISPLAY:PLOTVIEW1:CURSOR:VBARS:BPOSITION -60.0796E-9 indicating the VBARS BPOSITION is set to 60.08 ns.

DISplay:PLOTView<x>:CURSor:VBARS:DELTA? (Query Only)

This command queries the delta T cursor readout value of the specified cursor in the specified view.

Group	Cursor
Syntax	DISplay:PLOTView<x>:CURSor:VBARS:DELTA?

Arguments	PLOTView<x> is the Plot waveform number.
Returns	The delta T cursor readout value is returned.
Examples	DISPlay:PLOTView1:CURSOR:VBARS:DELTA? might return :DISPLAY:PLOTVIEW1:CURSOR:VBARS:DELTA 119.7593E-9 indicating the VBARS DELTA is set to 119.76 ns.

DISPlay:PLOTView<x>:CURSOR:VBARS:UNIts? (Query Only)

This command queries the VBARS cursor readout units of the specified cursor in the specified view.

Group	Cursor
Syntax	DISPlay:PLOTView<x>:CURSOR:VBARS:UNIts?
Arguments	PLOTView<x> is the Plot waveform number.
Returns	The VBARS cursor readout units are returned.
Examples	DISPlay:PLOTView<x>:CURSOR:VBARS:UNIts? might return :DISPLAY:PLOTVIEW5:CURSOR:VBARS:UNITS "V" indicating the units are Volts.

DISPlay:PLOTView<x>:CURSOR:WAVEform:APOSition

This command sets or queries the waveform cursor A horizontal position of the specified cursor in the specified view.

NOTE. *In case of XY plot, this command has no effect when used to set the value. In case of bathtub plot, this command sets or returns the cursor A vertical position. For all other plots, this command sets or returns the cursor A horizontal position.*

Group	Cursor
Syntax	DISPlay:PLOTView<x>:CURSOR:WAVEform:APOSition <NR3> DISPlay:PLOTView<x>:CURSOR:WAVEform:APOSition?

Arguments	PLOTView<x> is the Plot waveform number. <NR3> is the horizontal cursor A position.
Examples	DISplay:PLOTView1:CURSor:WAVEform:APOSITION -50.0E-9 sets the waveform APOSITION to -50.0 ns. DISplay:PLOTView1:CURSor:WAVEform:APOSITION? might return :DISPLAY:PLOTVIEW1:CURSOR:WAVEFORM:APOSITION -60.0796E-9 indicating the waveform APOSITION is set to -60.08 ns.

DISplay:PLOTView<x>:CURSor:WAVEform:BPOSITION

This command sets or queries the waveform cursor B horizontal position of the specified cursor in the specified view.

NOTE. *In case of XY plot, this command has no effect when used to set the value. In case of bathtub plot, this command has no effect. Query returns invalid values. For all other plots, this command sets or returns the cursor B horizontal position.*

Group	Cursor
Syntax	DISplay:PLOTView<x>:CURSor:WAVEform:BPOSITION <NR3> DISplay:PLOTView<x>:CURSor:WAVEform:BPOSITION?
Arguments	PLOTView<x> is the Plot waveform number. <NR3> is the horizontal cursor B position.
Examples	DISplay:PLOTView1:CURSor:WAVEform:BPOSITION 3.0 sets the position to 3.0 V. DISplay:PLOTView5:CURSor:WAVEform:BPOSITION? might return :DISPLAY:PLOTVIEW5:CURSOR:WAVEFORM:BPOSITION 2.600517840 indicating the position is 2.5 V.

DISplay:PLOTView<x>:GRIDlines

This command sets or queries the Grid (graticule) lines setting of the specified plot. This command works for plots that have vertical and horizontal units associated with the graticule. For example, this command does not work for XY or XYZ plots.

Group	Display Control
Syntax	DISplay:PLOTView<x>:GRIDlines {HORIZONTAL VERTICAL BOTH} DISplay:PLOTView<x>:GRIDlines?
Arguments	PLOTView<x> is the Plot waveform number. HORIZONTAL specifies horizontal grid lines. VERTICAL specifies vertical grid lines. BOTH specifies both vertical and horizontal grid lines.
Examples	DISplay:PLOTView1:GRIDlines Vertical sets the vertical grid lines to display. DISplay:PLOTView1:GRIDlines? might return :DISPLAY:PLOTVIEW1:GRIDLINES BOTH indicating that both vertical and horizontal grid lines are displayed.

DISplay:PLOTView<x>:XAXIS:SCALE

This command sets or queries the horizontal scale setting for applicable plots (Linear or Log) for the specified plot view.

Group	Display
Syntax	DISplay:PLOTView<x>:XAXIS:SCALE {LINEAR LOG}
Arguments	PLOTView<x> is the Plot waveform number. LINEAR creates a plot with linear scales. LOG creates a plot with logarithmic scales.
Examples	DISPLAY:PLOTVIEW1:XAXIS:SCALE LOG creates a plot with a logarithmic horizontal scale. DISPLAY:PLOTVIEW1:XAXIS:SCALE? might return :DISPLAY:PLOTVIEW1:XAXIS:SCALE LINEAR indicating plots will have linear scales.

DISplay:PLOTView<x>:YAXIS:SCALE

This command sets or queries the vertical scale setting for applicable plots (Linear or Log) in the specified plot view.

Group	Display
Syntax	DISplay:PLOTView<x>:YAXIS:SCALE {LINEAR LOG}
Arguments	PLOTView<x> is the Plot waveform number. LINEAR specifies a linear vertical scale. LOG specifies a logarithmic vertical scale.
Examples	DISPLAY:PLOTVIEW1:YAXIS:SCALE LINEAR sets the plot to use a linear vertical scale. DISPLAY:PLOTVIEW1:YAXIS:SCALE? might return :DISPLAY:PLOTVIEW1:YAXIS:SCALE LOG indicating a logarithmic vertical scale is used.

DISplay:PLOTView<x>:ZOOM:XAXIS:FROM

This command sets or queries the value of the left edge of the specified plot.

Group	Zoom
Syntax	DISplay:PLOTView<x>:ZOOM:XAXIS:FROM <NR3> DISplay:PLOTView<x>:ZOOM:XAXIS:FROM?
Arguments	PLOTView<x> is the Plot waveform number. <NR3> is start of the zoom x-axis.
Examples	DISplay:PLOTView1:ZOOM:XAXIS:FROM 2.0 sets the start of the zoom x-axis to 2.0 V. DISplay:PLOTView3:ZOOM:XAXIS:FROM? might return DISPLAY:PLOTVIEW3:ZOOM:XAXIS:FROM 1.9844803459459 indicating the start of the zoom x-axis is 1.9845 V.

DISplay:PLOTView<x>:ZOOM:XAXIS:TO

This command sets or queries the value of the right edge of the specified plot.

Group	Zoom
Syntax	DISplay:PLOTView<x>:ZOOM:XAXIS:TO <NR3> DISplay:PLOTView<x>:ZOOM:XAXIS:TO?
Arguments	PLOTView<x> is the Plot waveform number. <NR3> is the end of the zoom x-axis.
Examples	DISplay:PLOTView1:ZOOM:XAXIS:TO 2.5 sets the end of the zoom x-axis to 2.5 V. DISplay:PLOTView3:ZOOM:XAXIS:TO? might return DISPLAY:PLOTVIEW3:ZOOM:XAXIS:TO 2.2144883507508 indicating the end of the zoom x-axis is 2.21 V.

DISplay:PLOTView<x>:ZOOM:YAXIS:FROM

This command sets or queries the bottom value of the zoom y-axis in the specified plot view.

Group	Zoom
Syntax	DISplay:PLOTView<x>:ZOOM:YAXIS:FROM <NR3> DISplay:PLOTView<x>:ZOOM:YAXIS:FROM?
Arguments	PLOTView<x> is the Plot waveform number. <NR3> is the bottom value of the zoom y-axis.
Examples	DISplay:PLOTView1:ZOOM:YAXIS:FROM -1.0E+20 sets the bottom value of the zoom y-axis to -1E+20. DISplay:PLOTView1:ZOOM:YAXIS:FROM? might return :DISPLAY:PLOTVIEW1:ZOOM:YAXIS:FROM -1.0E+21 indicating the bottom value of the zoom y-axis is -1E+21.

DISplay:PLOTView<x>:ZOOM:YAXIS:TO

This command sets or queries the top value of the zoom y-axis in the specified plot view.

Group	Zoom
Syntax	DISplay:PLOTView<x>:ZOOM:YAXIS:TO <NR3> DISplay:PLOTView<x>:ZOOM:YAXIS:TO?
Arguments	PLOTView<x> is the Plot waveform number. <NR3> is the top value of the zoom y-axis.
Examples	DISplay:PLOTView1:ZOOM:YAXIS:TO 100 sets the top value of the zoom y-axis to 100. DISplay:PLOTView1:ZOOM:YAXIS:TO? might return :DISPLAY:PLOTVIEW3:ZOOM:YAXIS:FROM 0.0E+0 indicating the top value of the zoom y-axis is 0.0 hits (for a histogram plot, or it could be Volts for an XY plot).

DISplay:REFFFTView<x>:CURSOR:ROLOCATION

This command sets or queries the location to display the specified Reference FFT plot cursor readouts (in the plot graticule or in a badge in the Results Bar).

Group	Cursor
Syntax	DISplay:REFFFTView<x>:CURSOR:ROLOCATION {GRATICULE BADGE} DISplay:REFFFTView<x>:CURSOR:ROLOCATION?
Arguments	REFFFTView<x> is the Reference FFT plot number. GRATICULE sets the Reference FFT plot cursor readouts to display as part of the cursors in the plot view. BADGE removes the Reference FFT plot cursor readouts from the cursors in the graticule and displays the cursor information as a badge in the Results Bar.
Examples	DISplay:REFFFTView1:CURSOR:ROLOCATION GRATICULE sets the cursor readout information for Reference FFT plot 1 to display in the plot graticule.

DISplay:REFFFTView2:CURSOR:ROLOCATION? might return
 DISplay:REFFFTView2:CURSOR:ROLOCATION BADGE, indicating that cursor
 readout information for Reference FFT plot 2 is set to display as a badge in the
 Results Bar.

DISplay:REFFFTView<x>:AUTOScale

This command sets or queries the enabled state of auto-scale for plots.

Group	Display Control
Syntax	DISplay:REFFFTView<x>:AUTOScale {OFF ON 0 1} DISplay:REFFFTView<x>:AUTOScale?
Arguments	REFFFTView<x> is the Reference FFT plot number. OFF disables auto-scale on the specified reffftview. 0 disables auto-scale on the specified reffftview. ON enables the specified channel on the specified Waveform View. 1 enables the specified channel on the specified Waveform View.
Examples	DISplay:REFFFTView1:AUTOScale 1 enables auto-scale on the specified view. DISplay:REFFFTView5:AUTOScale? might return :DISPLAY:REFFFTVIEW5:AUTOSCALE 1 indicating auto-scale is on.

DISplay:REFFFTView<x>:CURSOR:ASOURCE? (Query Only)

This command returns the cursor source for plot cursor A

Group	Cursor
Syntax	DISplay:REFFFTView<x>:CURSOR:ASOURCE?
Arguments	REFFFTView<x> is the Reference FFT plot number.
Returns	Returns the cursor source for plot cursor A.

Examples `DISPlay:REFFFTView5:CURSor:ASOURce?` might return
 `:DISPLAY:REFFFTVIEW5:CURSOR:ASOURCE REF5` indicating the A cursor
 source is reference 5.

DISPlay:REFFFTView<x>:CURSor:BSOURce? (Query Only)

This command returns the cursor source for plot cursor B.

Group Cursor

Syntax `DISPlay:REFFFTView<x>:CURSor:BSOURce?`

Arguments `REFFFTView<x>` is the Reference FFT plot number.

Returns Returns the cursor source for plot cursor B.

Examples `DISPlay:REFFFTView5:CURSor:BSOURce?` might return
 `:DISPLAY:REFFFTVIEW5:CURSOR:BSOURCE REF5` indicating the source of the
 B cursor is reference 5.

DISPlay:REFFFTView<x>:CURSor:DDT? (Query Only)

This command returns the delta V over delta T cursor readout value of the specified cursor in the specified view.

Group Cursor

Syntax `DISPlay:REFFFTView<x>:CURSor:DDT?`

Arguments `REFFFTView<x>` is the Reference FFT plot number.

Returns Returns the delta V over delta T cursor readout value

Examples `DISPlay:REFFFTView5:CURSor:DDT?` might return
 `:DISPLAY:REFFFTVIEW5:CURSOR:DDT 9.91E+37` indicating the delta V over
 delta T cursor readout value is 9.91E+37.

DISplay:REFFFTView<x>:CURSor:FUNcTion

This command sets or queries the cursor type of the specified cursor in the specified view.

Group	Cursor
Syntax	<pre>DISplay:REFFFTView<x>:CURSor:FUNcTion {WAVEform VBArs HBArs SCREEN} DISplay:REFFFTView<x>:CURSor:FUNcTion?</pre>
Arguments	<p>REFFFTView<x> is the Reference FFT plot number.</p> <p>HBArs specifies horizontal bar cursors, which measure in vertical units.</p> <p>VBArs specifies vertical bar cursors, which measure in horizontal units.</p> <p>SCREEN specifies both horizontal and vertical bar cursors, which measure in horizontal and vertical units specified by the cursor sources. Use these cursors to measure anywhere in the waveform display area.</p> <p>WAVEform specifies paired or split cursors in YT display format for measuring waveform amplitude and time. In XY and XYZ format, these cursors indicate the amplitude positions of an XY pair (Ch1 vs Ch2 voltage, where Ch1 is the X axis and Ch2 is the Y axis) relative to the trigger.</p>
Examples	<p>DISplay:REFFFTView5:CURSor:FUNcTion screen sets the cursor function to screen.</p> <p>DISplay:REFFFTView5:CURSor:FUNcTion? might return :DISPLAY:REFFFTVIEW5:CURSOR:FUNCTION WAVEFORM indicating the cursor function is set to waveform.</p>

DISplay:REFFFTView<x>:CURSor:HBArs:APOSition

This command sets or queries the vertical cursor A position of the specified cursor in the specified view.

Group	Cursor
Syntax	<pre>DISplay:REFFFTView<x>:CURSor:HBArs:APOSition <NR3> DISplay:REFFFTView<x>:CURSor:HBArs:APOSition?</pre>

- Arguments** REFFFTView<x> is the Reference FFT plot number.
<NR3> is the vertical cursor A position of the specified cursor in the specified view.
- Examples** DISPlay:REFFFTView5:CURSOR:HBArs:APOSition -20 sets the A cursor position to -20.
DISPlay:REFFFTView5:CURSOR:HBArs:APOSition? might return :DISPLAY:REFFFTVIEW5:CURSOR:HBArs:APOSITION -14.4762489421361 indicating the A cursor position is -14.48 dBm.

DISPlay:REFFFTView<x>:CURSOR:HBArs:AUNIts? (Query Only)

This command returns cursor A vertical units of the specified cursor in the specified view.

- Group** Cursor
- Syntax** DISPlay:REFFFTView<x>:CURSOR:HBArs:AUNIts?
- Arguments** REFFFTView<x> is the Reference FFT plot number.
- Returns** Returns the cursor A vertical units of the specified cursor in the specified view.
- Examples** DISPlay:REFFFTView5:CURSOR:HBArs:AUNIts? might return :DISPLAY:REFFFTVIEW5:CURSOR:HBArs:AUNITS "dBm" indicating the A cursor units are dBm.

DISPlay:REFFFTView<x>:CURSOR:HBArs:BPOSition

This command sets or queries the vertical cursor B position of the specified cursor in the specified view.

- Group** Cursor
- Syntax** DISPlay:REFFFTView<x>:CURSOR:HBArs:BPOSition <NR3>
DISPlay:REFFFTView<x>:CURSOR:HBArs:BPOSition?

Arguments REFFFTView<x> is the Reference FFT plot number.
 <NR3> is the vertical cursor B position of the specified cursor in the specified view.

Examples DISPlay:REFFFTView5:CURSOR:HbARS:BPOSITION -90 sets the B cursor position to -90.
 DISPlay:REFFFTView5:CURSOR:HbARS:BPOSITION? might return :DISPLAY:REFFFTVIEW5:CURSOR:HbARS:BPOSITION -100.6262359333038 indicating the B cursor position is -100.6.

DISPlay:REFFFTView<x>:CURSOR:HbARS:BUNIts? (Query Only)

This command returns the cursor B vertical units of the specified cursor in the specified view.

Group Cursor

Syntax DISPlay:REFFFTView<x>:CURSOR:HbARS:BUNIts?

Arguments REFFFTView<x> is the Reference FFT plot number.

Returns Returns the cursor B vertical units of the specified cursor in the specified view.

Examples DISPlay:REFFFTView5:CURSOR:HbARS:BUNIts? might return :DISPLAY:REFFFTVIEW5:CURSOR:HbARS:BUNITS "dBm" indicating the units are dBm.

DISPlay:REFFFTView<x>:CURSOR:HbARS:DELTA? (Query Only)

This command returns the delta V cursor readout value of the specified cursor in the specified view.

Group Cursor

Syntax DISPlay:REFFFTView<x>:CURSOR:HbARS:DELTA?

Arguments REFFFTView<x> is the Reference FFT plot number.

Returns Returns the delta V cursor readout value of the specified cursor in the specified view.

Examples `DISPlay:REFFFTView5:CURSOR:HBArs:DELTA?` might return
`:DISPLAY:REFFFTVIEW5:CURSOR:HBArs:DELTA 59.9867396737569`
indicating the delta V cursor readout value is 59.99.

DISPlay:REFFFTView<x>:CURSOR:MODE

This command sets or queries the cursor tracking mode of the specified cursor in the specified view.

Group Cursor

Syntax `DISPlay:REFFFTView<x>:CURSOR:MODE {INDEPENDENT|TRACK}`
`DISPlay:REFFFTView<x>:CURSOR:MODE?`

Arguments `REFFFTView<x>` is the Reference FFT plot number.

`TRACK` ties the navigational functionality of the two cursors together. For cursor A adjustments, this ties the movement of the two cursors together; however, cursor B continues to move independently of cursor A.

`INDEPENDENT` allows independent adjustment of the two cursors.

Examples `DISPlay:REFFFTView5:CURSOR:MODE TRACK` sets the cursors to track together.

`DISPlay:REFFFTView5:CURSOR:MODE?` might return
`:DISPLAY:REFFFTVIEW5:CURSOR:MODE INDEPENDENT` indicating
the cursors move independently.

DISPlay:REFFFTView<x>:CURSOR:ONEOVERDELTAVALUE? (Query Only)

This command returns the one over delta T cursor readout value of the specified cursor in the specified view.

Group Cursor

Syntax `DISPlay:REFFFTView<x>:CURSOR:ONEOVERDELTAVALUE?`

Arguments REFFFTView<x> is the Reference FFT plot number.

Examples DISPlay:REFFFTView5:CURSOR:ONEOVERDELTAVALUE? might return :DISPLAY:REFFFTVIEW5:CURSOR:ONEOVERDELTAVALUE 2.540935140340E-9 indicating the one over delta T cursor readout value is 2.54 ns.

DISPlay:REFFFTView<x>:CURSOR:SCREEN:AXPOSITION

This command sets or queries the horizontal cursor A position of the specified cursor in the specified view.

Group Cursor

Syntax DISPlay:REFFFTView<x>:CURSOR:SCREEN:AXPOSITION <NR3>
DISPlay:REFFFTView<x>:CURSOR:SCREEN:AXPOSITION?

Arguments REFFFTView<x> is the Reference FFT plot number.

<NR3> is the horizontal cursor A position of the specified cursor in the specified view.

Examples DISPlay:REFFFTView5:CURSOR:SCREEN:AXPOSITION 1.0E+6 sets the cursor position to 1.0 MHz.

DISPlay:REFFFTView5:CURSOR:SCREEN:AXPOSITION? might return :DISPLAY:REFFFTVIEW5:CURSOR:SCREEN:AXPOSITION 792.4465962305570E+3 indicating the A cursor horizontal position is 792.447 kHz.

DISPlay:REFFFTView<x>:CURSOR:SCREEN:AYPOSITION

This command sets or queries the vertical cursor A position of the specified cursor in the specified view.

Group Cursor

Syntax DISPlay:REFFFTView<x>:CURSOR:SCREEN:AYPOSITION <NR3>
DISPlay:REFFFTView<x>:CURSOR:SCREEN:AYPOSITION?

Arguments REFFFTView<x> is the Reference FFT plot number.
<NR3> is the vertical cursor A position of the specified cursor in the specified view.

Examples DISPlay:REFFFTView5:CURSOR:SCREEN:AYPOSITION -20.9 sets the position to -20 dBm.
DISPlay:REFFFTView5:CURSOR:SCREEN:AYPOSITION? might return :DISPLAY:REFFFTVIEW5:CURSOR:SCREEN:AYPOSITION -30.0132603262431 indicating the A cursor vertical position is -30.01 dBm.

DISPlay:REFFFTView<x>:CURSOR:SCREEN:BXPOSITION

This command sets or queries the horizontal cursor B position of the specified cursor in the specified view.

Group Cursor

Syntax DISPlay:REFFFTView<x>:CURSOR:SCREEN:BXPOSITION <NR3>
DISPlay:REFFFTView<x>:CURSOR:SCREEN:BXPOSITION?

Arguments REFFFTView<x> is the Reference FFT plot number.
<NR3> is the horizontal cursor B position of the specified cursor in the specified view.

Examples DISPlay:REFFFTView5:CURSOR:SCREEN:BXPOSITION 300 sets the position to 300 MHz.
DISPlay:REFFFTView5:CURSOR:SCREEN:BXPOSITION? might return :DISPLAY:REFFFTVIEW5:CURSOR:SCREEN:BXPOSITION 394.3483403001212E+6 indicating the B cursor horizontal position is 394.348 MHz.

DISPlay:REFFFTView<x>:CURSOR:SCREEN:BYPOSITION

This command sets or queries the vertical cursor B position of the specified cursor in the specified view.

Group Cursor

Syntax	<code>DISPlay:REFFFTView<x>:CURSor:SCREEN:BYPosition <NR3></code> <code>DISPlay:REFFFTView<x>:CURSor:SCREEN:BYPosition?</code>
Arguments	<code>REFFFTView<x></code> is the Reference FFT plot number. <code><NR3></code> is the vertical cursor B position of the specified cursor in the specified view.
Examples	<code>DISPlay:REFFFTView5:CURSor:SCREEN:BYPosition -80</code> sets the cursor position to -90 dBm. <code>DISPlay:REFFFTView5:CURSor:SCREEN:BYPosition?</code> might return <code>:DISPlay:REFFFTVIEW5:CURSOR:SCREEN:BYPOSITION -90.0</code> indicating the B cursor vertical position is -90 dBm.

DISPlay:REFFFTView<x>:CURSor:SPLITMODE

This command sets or queries whether both cursors have same or different source.

Group	Cursor
Syntax	<code>DISPlay:REFFFTView<x>:CURSor:SPLITMODE {SAME SPLIT}</code> <code>DISPlay:REFFFTView<x>:CURSor:SPLITMODE?</code>
Arguments	<code>REFFFTView<x></code> is the Reference FFT plot number. <code>SAME</code> specifies both cursors have the same sources. <code>SPLIT</code> specifies both cursors have different sources.
Examples	<code>DISPlay:REFFFTView5:CURSor:SPLITMODE SPLIT</code> specified that the cursors have different sources. <code>DISPlay:REFFFTView5:CURSor:SPLITMODE?</code> might return <code>:DISPlay:REFFFTVIEW5:CURSOR:SPLITMODE SAME</code> indicating both cursors have the same source.

DISPlay:REFFFTView<x>:CURSor:STATE

This command sets or queries the visible state of the cursor of the specified cursor n the specified view.

Group	Cursor
--------------	--------

Syntax `DISPlay:REFFFTView<x>:CURSor:STATE {OFF|ON|0|1}`
`DISPlay:REFFFTView<x>:CURSor:STATE?`

Arguments `REFFFTView<x>` is the Reference FFT plot number.
`OFF` specifies the cursor is not visible.
`0` specifies the cursor is not visible.
`ON` displays the cursor.
`1` displays the cursor.

Examples `DISPlay:REFFFTView5:CURSor:STATE ON` specifies the cursor is visible.
`DISPlay:REFFFTView5:CURSor:STATE?` might return
`:DISPLAY:REFFFTVIEW5:CURSOR:STATE 1` indicating the cursor is visible.

DISPlay:REFFFTView<x>:CURSor:VBArS:APOsition

This command sets or queries the horizontal cursor A position of the specified cursor in the specified view.

Group Cursor

Syntax `DISPlay:REFFFTView<x>:CURSor:VBArS:APOsition <NR3>`
`DISPlay:REFFFTView<x>:CURSor:VBArS:APOsition?`

Arguments `REFFFTView<x>` is the Reference FFT plot number.
`<NR3>` is the horizontal cursor A position of the specified cursor in the specified view.

Examples `DISPlay:REFFFTView5:CURSor:VBArS:APOsition 1.0E+6` sets the cursor to 1 MHz.
`DISPlay:REFFFTView5:CURSor:VBArS:APOsition?` might return
`:DISPLAY:REFFFTVIEW5:CURSOR:VBARS:APOSITION 792.4465962305570E+3` indicating the cursor position is 792.447 kHz.

DISPlay:REFFFTView<x>:CURSor:VBArS:BPOsition

This command sets or queries the horizontal cursor B position of the specified cursor in the specified view.

Group	Cursor
Syntax	DISplay:REFFFTView<x>:CURSor:VBARs:BPOsition <NR3> DISplay:REFFFTView<x>:CURSor:VBARs:BPOsition?
Arguments	REFFFTView<x> is the Reference FFT plot number. <NR3> is the horizontal cursor B position of the specified cursor in the specified view.
Examples	DISplay:REFFFTView5:CURSor:VBARs:BPOsition 300.0E+6 sets the cursor position to 300 MHz. DISplay:REFFFTView5:CURSor:VBARs:BPOsition? might return :DISPLAY:REFFFTVIEW5:CURSOR:VBARS:BPOSITION 394.3483403001212E+6 indicating the B cursor horizontal position is 394.348 MHz.

DISplay:REFFFTView<x>:CURSor:VBARs:DELTA? (Query Only)

This command returns the delta T cursor readout value of the specified cursor in the specified view.

Group	Cursor
Syntax	DISplay:REFFFTView<x>:CURSor:VBARs:DELTA?
Arguments	REFFFTView<x> is the Reference FFT plot number.
Returns	Returns the delta T cursor readout value of the specified cursor in the specified view.
Examples	DISplay:REFFFTView5:CURSor:VBARs:DELTA? might return :DISPLAY:REFFFTVIEW5:CURSOR:VBARS:DELTA 393.5558937038906E+6 indicating the delta T cursor readout value is 393.556 MHz.

DISplay:REFFFTView<x>:CURSor:VBARs:UNIts? (Query Only)

This command returns cursor A vertical units of the specified cursor in the specified view.

Group	Cursor
Syntax	DISplay:REFFFTView<x>:CURSor:VBArS:UNItS?
Arguments	REFFFTView<x> is the Reference FFT plot number.
Returns	Returns cursor A vertical units of the specified cursor in the specified view.
Examples	DISplay:REFFFTView5:CURSor:VBArS:UNItS? might return :DISPLAY:REFFFTVIEW5:CURSOR:VBARS:UNITS "Hz" indicating the A cursor vertical units are Hz.

DISplay:REFFFTView<x>:CURSor:WAVEform:AHPOSition? (Query Only)

This query-only command returns the value of the cursor A horizontal position.

Group	Cursor
Syntax	DISplay:REFFFTView<x>:CURSor:WAVEform:AHPOSition?
Arguments	REFFFTView<x> is the Reference FFT plot number.
Examples	DISplay:REFFFTView1:CURSor:WAVEform:AHPOSition? might return :DISPLAY:REFFFTVIEW1:CURSOR:WAVEFORM:AHPOSITION 9.91E+37.

DISplay:REFFFTView<x>:CURSor:WAVEform:APOSition

Sets or returns the waveform cursor A position in the specified plot view.

NOTE. *In case of an XY plot, this command has no effect when used to set the value. In the case of a bathtub plot, this command sets or queries the cursor A vertical position. For all other plots, this command sets or queries the cursor A horizontal position.*

Group	Cursor
--------------	--------

Syntax	<code>DISPlay:REFFFTView<x>:CURSOR:WAVEform:APOSITION <NR3></code> <code>DISPlay:REFFFTView<x>:CURSOR:WAVEform:APOSITION?</code>
Arguments	<code>REFFFTView<x></code> is the Reference FFT plot number. <code><NR3></code> is the waveform cursor A position in the specified plot view.
Examples	<code>DISPlay:REFFFTView5:CURSOR:WAVEform:APOSITION 7E+5</code> sets the position to 700 kHz. <code>DISPlay:REFFFTView5:CURSOR:WAVEform:APOSITION?</code> might return <code>:DISPlay:REFFFTVIEW5:CURSOR:WAVEFORM:APOSITION 792.4465962305570E+3</code> indicating the A cursor waveform position is 792.4 kHz.

DISPlay:REFFFTView<x>:CURSOR:WAVEform:AVPOSITION? (Query Only)

This query-only command returns the value of the cursor A vertical position.

Group	Cursor
Syntax	<code>DISPlay:REFFFTView<x>:CURSOR:WAVEform:AVPOSITION?</code>
Arguments	<code>REFFFTView<x></code> is the Reference FFT plot number.
Examples	<code>DISPlay:REFFFTView<x>:CURSOR:WAVEform:AVPOSITION?</code> might return <code>:DISPlay:REFFFTView1:CURSOR:WAVEform:AVPOSITION 1.605E+0</code> indicating the cursor vertical position is 1.6 dBm.

DISPlay:REFFFTView<x>:CURSOR:WAVEform:BHPOSITION? (Query Only)

This query-only command returns the value of the cursor B horizontal position.

Group	Cursor
Syntax	<code>DISPlay:REFFFTView<x>:CURSOR:WAVEform:BHPOSITION?</code>
Arguments	<code>REFFFTView<x></code> is the Reference FFT plot number.

Examples `DISPlay:REFFFTView<x>:CURSOR:WAVEform:BHPOSITION?` might return
 `:DISPLAY:REFFFTVIEW1:CURSOR:WAVEFORM:BHPOSITION 9.91E+37.`

DISPlay:REFFFTView<x>:CURSOR:WAVEform:BPOSITION

Sets or returns the waveform cursor B position in the specified plot view.

NOTE. *In case of an XY plot, this command has no effect when used to set the value. In the case of a bathtub plot, this command has no effect. Queries return invalid values. For all other plots, this command sets or queries the cursor B horizontal position.*

Group Cursor

Syntax `DISPlay:REFFFTView<x>:CURSOR:WAVEform:BPOSITION <NR3>`
 `DISPlay:REFFFTView<x>:CURSOR:WAVEform:BPOSITION?`

Arguments `REFFFTView<x>` is the Reference FFT plot number.
 `<NR3>` is the waveform cursor B position in the specified plot view.

Examples `DISPlay:REFFFTView5:CURSOR:WAVEform:BPOSITION 4E+8` sets the
 cursor position to 400 MHz.
 `DISPlay:REFFFTView5:CURSOR:WAVEform:BPOSITION?` might
 return `:DISPLAY:REFFFTVIEW5:CURSOR:WAVEFORM:BPOSITION`
 `394.3483403001212E+6` indicating the B waveform cursor position is
 394.35 MHz.

DISPlay:REFFFTView<x>:CURSOR:WAVEform:BVPOSITION? (Query Only)

This query-only command returns the value of the cursor B vertical position.

Group Cursor

Syntax `DISPlay:REFFFTView<x>:CURSOR:WAVEform:BVPOSITION?`

Arguments `REFFFTView<x>` is the Reference FFT plot number.

Examples `DISPlay:REFFFTView1:CURSor:WAVEform:BVPOSITION?` might return `:DISPlay:REFFFTView<x>:CURSor:WAVEform:BVPOSITION -119.866E+0` indicating the cursor vertical position is -119.9 dBm.

DISPlay:REFFFTView<x>:GRIDlines

This command sets or returns the grid lines setting of the plot.

Group Display Control

Syntax `DISPlay:REFFFTView<x>:GRIDlines {HORIZONTAL|VERTICAL|BOTH}`
`DISPlay:REFFFTView<x>:GRIDlines?`

Arguments `REFFFTView<x>` is the Reference FFT plot number.

`HORIZONTAL` specifies horizontal grid lines.

`VERTICAL` specifies vertical grid lines.

`BOTH` specifies both horizontal and vertical grid lines.

Examples `DISPlay:REFFFTView5:GRIDlines horizontal` specifies horizontal grid lines.

`DISPlay:REFFFTView5:GRIDlines?` might return `:DISPLAY:REFFFTVIEW5:GRIDLINES BOTH` indicating that both vertical and horizontal grid lines are displayed

DISPlay:REFFFTView<x>:REF:REF<x>:STATE

This command sets or queries the state of the specified reference waveform in the specified Waveform View.

Group Display Control

Syntax `DISPlay:REFFFTView<x>:REF:REF<x>:STATE {OFF|ON|0|1}`
`DISPlay:REFFFTView<x>:REF:REF<x>:STATE?`

Arguments `REFFFTView<x>` is the Reference FFT plot number.

`OFF` disables the display the specified reference.

`0` disables the display the specified reference.

ON enables the specified reference.

1 enables the specified reference.

Examples `DISPlay:REFFFTView5:REF:REF5:STATE 0` turns display of the reference off.
`DISPlay:REFFFTView5:REF:REF5:STATE?` might return
`:DISPLAY:REFFFTVIEW5:REF:REF5:STATE 1` indicating the reference is displayed.

DISPlay:REFFFTView<x>:XAXIS:SCALE

This command sets or queries the x-axis scale setting for Ref FFT.

Group Display Control

Syntax `DISPlay:REFFFTView<x>:XAXIS:SCALE {LINEAR|LOG}`
`DISPlay:REFFFTView<x>:XAXIS:SCALE?`

Arguments LINEAR specifies a linear scale.
LOG specifies a logarithmic scale.

Examples `DISPlay:REFFFTView5:XAXIS:SCALE 1` linear sets the x-axis scale to linear.
`DISPlay:REFFFTView5:XAXIS:SCALE?` might return
`:DISPLAY:REFFFTVIEW5:XAXIS:SCALE LOG` indicating x-axis scale for the specified reference view is logarithmic.

DISPlay:REFFFTView<x>:ZOOM:XAXIS:FROM

This command sets or returns the left edge of the zoom x-axis in the specified plot view.

Group Zoom

Syntax `DISPlay:REFFFTView<x>:ZOOM:XAXIS:FROM <NR3>`
`DISPlay:REFFFTView<x>:ZOOM:XAXIS:FROM?`

Arguments <NR3> is the left edge of the zoom x-axis in the specified plot view.

Examples `DISPlay:REFFFTView5:ZOOM:XAXIS:FROM 2.0E+6` sets the left edge of the specified view to 2.0 MHz.

`DISPlay:REFFFTView5:ZOOM:XAXIS:FROM?` might return
`:DISPlay:REFFFTVIEW5:ZOOM:XAXIS:FROM 1.3295739742362E+6`
 indicating the left edge of the specified view is 1.33 MHz.

DISPlay:REFFFTView<x>:ZOOM:XAXIS:TO

This command sets or queries the right edge of the zoom x-axis in the specified plot view.

Group Zoom

Syntax `DISPlay:REFFFTView<x>:ZOOM:XAXIS:TO <NR3>`
`DISPlay:REFFFTView<x>:ZOOM:XAXIS:TO?`

Arguments <NR3> is the right edge of the zoom x-axis in the specified plot view.

Examples `DISPlay:REFFFTView5:ZOOM:XAXIS:TO 2.0E+8` sets the right edge of the zoom x-axis to 200 MHz.

`DISPlay:REFFFTView5:ZOOM:XAXIS:TO?` might return
`:DISPlay:REFFFTVIEW5:ZOOM:XAXIS:TO 235.0376933178995E+6`
 indicating the right edge of the zoom x-axis is 235.0 MHz.

DISPlay:REFFFTView<x>:ZOOM:YAXIS:FROM

This command sets or queries the bottom value of the zoom y-axis in the specified plot view.

Group Zoom

Syntax `DISPlay:REFFFTView<x>:ZOOM:YAXIS:FROM <NR3>`
`DISPlay:REFFFTView<x>:ZOOM:YAXIS:FROM?`

Arguments <NR3> is the bottom value of the zoom y-axis in the specified plot view.

Examples `DISPlay:REFFFTView5:ZOOM:YAXIS:FROM -120.0` sets the bottom value of the zoom y-axis to -120.0 dBm.

DISPlay:REFFFTView5:ZOOM:YAXIS:FROM? might return
:DISPLAY:REFFFTVIEW5:ZOOM:YAXIS:FROM -129.7533120632172
indicating the bottom value of the zoom y-axis is -129.8 dBm.

DISPlay:REFFFTView<x>:ZOOM:YAXIS:TO

This command sets or queries the top value of the zoom y-axis in the specified plot view.

Group	Zoom
Syntax	DISPlay:REFFFTView<x>:ZOOM:YAXIS:TO <NR3> DISPlay:REFFFTView<x>:ZOOM:YAXIS:TO?
Arguments	<NR3> is the top value of the zoom y-axis in the specified plot view.
Examples	DISPlay:REFFFTView5:ZOOM:YAXIS:TO 0.0 sets the top value of the zoom y-axis to 0.0 dBm. DISPlay:REFFFTView5:ZOOM:YAXIS:TO? might return :DISPLAY:REFFFTVIEW5:ZOOM:YAXIS:TO 15.8820685863495 indicating the top value of the zoom y-axis is 15.9 dBm.

DISPlay:SElect:BUS

This command sets or queries the overall selected bus. Sets are applied to all views that contain the source and the selected view is changed. When multiple buses are open, querying the command gives the correct result, but the bus cannot set.

Group	Display Control
Syntax	DISPlay:SElect:BUS BUS<x> DISPlay:SElect:BUS?
Arguments	BUS<x> is the selected bus.
Examples	DISPlay:SElect:BUS BUS2 sets Bus 2 as the selected bus. DISPlay:SElect:BUS? might return :DISPLAY:SELECT:BUS BUS1 indicating Bus 1 is the selected bus.

DISplay:SElect:MATH

This command sets or queries the overall selected math. Sets are applied to all views that contain the source and the selected view is changed. When multiple Math are open, querying the command gives the correct result, but the required Math cannot be set.

Group	Display Control
Syntax	DISplay:SElect:MATH MATH<x> DISplay:SElect:MATH?
Arguments	MATH<x> is the selected math.
Examples	DISplay:SElect:MATH MATH1 selects Math 1. DISplay:SElect:MATH? might display :DISPLAY:SELECT:MATH MATH2 indicating that Math 2 is selected.

DISplay:SElect:REference

This command sets or queries the overall selected reference waveform. Sets are applied to all views that contain the source and the selected view is changed.

Group	Display Control
Syntax	DISplay:SElect:REference {NONE REF<x>}
Arguments	NONE specifies no reference waveforms. REF<x> specifies the reference waveform.
Examples	DISplay:SElect:REference REF2 selects reference 2. DISplay:SElect:REFERENCE? might return DISPLAY:SELECT:REFERENCE NONE indicating no reference is selected.

DISplay:SElect:SOUrce

This command sets or queries the overall selected source. Sets are applied to all views that contain the source and the selected view is changed.

Group	Display Control
Syntax	DISPlay:SElect:SOURce {NONE CH<x> BUS<x> MATH<x> PLOT<x> REF<x>}
Arguments	NONE specifies no source. CH<x> specifies an analog channel as source. BUS<x> specifies a bus as source. MATH<x> specifies a math channel as source. PLOT<x> specifies a plot as the source. REF<x> specifies a reference waveform as the source.
Examples	DISPlay:SElect:SOURce Bus1 selects Bus1 as the selected source. DISPlay:SElect:SOURce? might return :DISPLAY:SELECT:SOURCE MATH1 indicating Math 1 is the selected source.

DISPlay:SElect:SPECView<x>:SOURce

This command sets or queries the spectrum trace (source channel) to select in the Spectrum View window.

Group	Display
Syntax	DISPlay:SElect:SPECView<x>:SOURce {CH<x>} DISPlay:SElect:SPECView<x>:SOURce?
Arguments	SPECView<x> specifies the Spectrum View number. <x> is always 1. CH<x> specifies the spectrum trace (source channel) to select (make active) in the Spectrum View.
Examples	DISPlay:SElect:SPECView1:SOURce CH1 sets the spectrum trace associated with channel 1 as the selected trace. DISPlay:SElect:SPECView1:SOURce? might return CH3, indicating that the spectrum trace associated with channel 3 is selected in the Spectrum View.

DISplay:SElect:VIEW

This command sets or queries the selected view.

Group	Display Control
Syntax	DISplay:SElect:VIEW {WAVEVIEW1 MATHFFT<x> PLOTVIEW<x> REFFFT<x>}
Arguments	WAVEVIEW1 sets WAVEVIEW as the selected view. MATHFFT<x> sets MATHFFT as the selected view. PLOTVIEW<x> sets PLOTVIEW as the selected view. REFFFT<x> sets REFFFT as the selected view.
Examples	DISplay:SElect:VIEW PLOTVIEW1 selects PLOTVIEW1 as the selected view. DISplay:SElect:VIEW? might return :DISPLAY:SELECT:VIEW MATHFFT1 indicating MATHFFT1 is the selected view.

DISplay:SElect:WAVEView<x>:SOURce

This command sets or queries the selected source in the given waveview.

Group	Display Control
Syntax	DISplay:SElect:WAVEView<x>:SOURce {CH<x> MATH<x> BUS<x> REF<x> PLOT<x>}
Arguments	CH<x> specifies an analog channel as source. MATH<x> specifies a math channel as source. BUS<x> specifies a bus as source. REF<x> specifies a reference waveform as the source. PLOT<x> specifies a plot as the source.
Examples	DISplay:SElect:WAVEView1:SOURce MATH1 sets MATH1 as the selected source.

DISplay:SElect:WAVEView1:SOURCE? might return
:DISPLAY:SELECT:WAVEVIEW1:SOURCE CH2 indicating CH2 is the
selected source.

DISplay:SPECView<x>:CH<x>:VERTical:POStion

Sets or queries the vertical position of the specified channel in the specified
Spectrum View in divisions.

Group Display Control

Syntax DISplay:SPECview<x>:CH<x>:VERTical:POStion <NR3>
DISplay:SPECview<x>:CH<x>:VERTical:POStion?

Arguments <NR3> is the vertical position in divisions.

Examples DISplay:SPECview1:CH1:VERTical:POStion 1.0e0 sets the position
to 1 division.
DISplay:SPECview1:CH1:VERTical:POStion? might return
:DISPLAY:SPECVIEW1:CH1:VERTICAL:POSITION -3.4400 indicating the
channel 1 vertical position is -3.44 divisions.

DISplay:SPECView<x>:CH<x>:VERTical:SCAlE

Sets or queries the vertical scale of the specified channel in the specified Spectrum
View.

Group Display Control

Syntax DISplay:SPECview<x>:CH<x>:VERTical:SCAlE <NR3>
DISplay:SPECview<x>:CH<x>:VERTical:SCAlE?

Arguments <NR3> is the vertical scale of the specified channel.

Examples DISplay:WAVEview1:CH1:VERTical:SCAlE 2.0e2 sets the vertical scale to
200 dB.

DISPlay:WAVEView1:CH1:VERTical:SCALE? might return
:DISPLAY:WAVEVIEW1:CH1:VERTICAL:SCALE 200.0000E-3 indicating
the scale is 200 dB.

DISPlay:SPECView<x>:CURSOR:CURSOR:ANOISEDensity? (Query Only)

Returns the noise density of the selected RF trace at the Cursor A position

Group Cursor

Syntax DISPlay:SPECView<x>:CURSOR:CURSOR:ANOISEDensity?

Related Commands [DISPlay:SPECView<x>:CURSOR:CURSOR:BNOISE?](#)

Arguments SPECView<x> is the specified Spectrum View and must be SPECView1.

Returns The noise density of the selected RF trace at the horizontal position of Cursor A in <RF Units>/Hz units, where <RF Units> are the vertical units of the RF trace.

Examples DISPlay:SPECView1:CURSOR:CURSOR:ANOISEDensity? might return
-133.2350, indicating a noise density of -133.2350 dBm/Hz at the Cursor A
position.

DISPlay:SPECView<x>:CURSOR:CURSOR:ASOURCE

This command sets or queries the Cursor A source in the Spectrum View.

Group Cursor

Syntax DISPlay:SPECView<x>:CURSOR:CURSOR:ASOURCE {AUTO|CH<x>}
DISPlay:SPECView<x>:CURSOR:CURSOR:ASOURCE?

Arguments SPECView<x> specifies the Spectrum View number. <x> is always 1.
AUTO specifies to use the selected analog channel as the Spectrum View source.
CH<x> specifies the analog channel to use as the Spectrum View source.

Examples `DISPlay:SPECView2:CUSor:CURSOR:ASOURce CH1` sets the Cursor A source of Spectrum View 2 to Channel 1.

`DISPlay:SPECView1:CUSor:CURSOR:ASOURce?` might return `DISPlay:SPECView1:CUSor:CURSOR:ASOURce AUTO`, indicating the Cursor A source of Spectrum View 1 is the selected source.

DISPlay:SPECView<x>:CURSor:CURSOR:BNOISE? (Query Only)

Returns the noise density of the selected RF trace at the Cursor B position when in Absolute mode, or the phase noise when in Delta mode.

Group Cursor

Syntax `DISPlay:SPECView<x>:CURSor:CURSOR:BNOISE?`

Related Commands [DISPlay:SPECView<x>:CURSor:CURSOR:ANOISEDensity?](#)
[DISPlay:SPECView<x>:CURSor:CURSOR:READout](#)

Arguments `SPECView<x>` is the specified Spectrum View and must be `SPECView1`.

Returns In Absolute mode: The noise density of the selected RF trace at the horizontal position of Cursor B in `<RF Units>/Hz` units, where `<RF Units>` are the vertical units of the RF trace.

In Delta mode: The phase noise of the selected RF trace at the horizontal position of Cursor B in `dBc/Hz` units.

Examples `DISPlay:SPECView1:CUSor:CURSOR:BNOISE?` might return `-60.1289`, indicating a phase noise of `-60.1289 dBc/Hz` at the Cursor B position in Delta mode.

`DISPlay:SPECView1:CUSor:CURSOR:BNOISE?` might return `-47.922`, indicating a phase noise of `-47.922 dBm/Hz` at the Cursor B position in Absolute mode.

DISPlay:SPECView<x>:CURSor:CURSOR:BSOURce

This command sets or queries the Cursor B source in the Spectrum View.

Group Cursor

Syntax	<code>DISPlay:SPECView<x>:CURSor:CURSOR:BSOURCE {AUTO CH<x>}</code> <code>DISPlay:SPECView<x>:CURSor:CURSOR:BSOURCE?</code>
Arguments	<code>SPECView<x></code> specifies the Spectrum View number. <code><x></code> is always 1. <code>AUTO</code> specifies to use the selected analog channel as the Spectrum View source. <code>CH<x></code> specifies the analog channel to use as the Spectrum View source.
Examples	<code>DISPlay:SPECView1:CURSor:CURSOR:ASOURCE CH1</code> sets the Cursor A source of Spectrum View 1 to Channel 1. <code>DISPlay:SPECView1:CURSor:CURSOR:ASOURCE?</code> might return <code>DISPlay:SPECView1:CURSor:CURSOR:ASOURCE AUTO</code> , indicating the Cursor A source of Spectrum View 1 is the selected source.

DISPlay:SPECView<x>:CURSor:CURSOR:HBArs:APOSition

This command queries the Cursor A horizontal bar's vertical position (where it crosses the spectrum signal) in the Spectrum View.

Group	Cursor
Syntax	<code>DISPlay:SPECView<x>:CURSor:CURSOR:HBArs:APOSition?</code>
Related Commands	DISPlay:SPECView<x>:CURSor:CURSOR:HBArs:AUNIts?
Arguments	<code>SPECView<x></code> specifies the Spectrum View number. <code><x></code> is always 1.
Returns	The vertical position of Cursor A in the vertical units of the cursor source.
Examples	<code>DISPlay:SPECView1:CURSor:CURSOR:HBArs:APOSition?</code> might return <code>DISPlay:SPECView1:CURSor:CURSOR:HBArs:APOSition -40.0</code> indicating the Cursor A vertical position is -40.0 units (such as dBm).

DISPlay:SPECView<x>:CURSor:CURSOR:HBArs:AUNIts? (Query Only)

This command queries the horizontal bar Cursor A horizontal bar's amplitude units in the Spectrum View.

Group	Cursor
Syntax	DISplay:SPECView<x>:CURSor:CURSOR:HBArs:AUNIts?
Related Commands	DISplay:SPECView<x>:CURSor:CURSOR:HBArs:APOSition
Arguments	SPECView<x> specifies the Spectrum View number. <x> is always 1.
Returns	The vertical units of the Spectrum View Cursor A as a QString.
Examples	DISplay:SPECView1:CURSor:CURSOR:HBArs:AUNIts? might return DISplay:SPECView1:CURSor:CURSOR:HBArs:AUNIts "dBmV", indicating the Cursor A vertical units are decibel millivolts.

DISplay:SPECView<x>:CURSor:CURSOR:HBArs:BPOSition

This command queries the horizontal bar Cursor B horizontal bar's vertical position (where it crosses the spectrum signal) in the Spectrum View.

Group	Cursor
Syntax	DISplay:SPECView<x>:CURSor:CURSOR:HBArs:BPOSition?
Related Commands	DISplay:SPECView<x>:CURSor:CURSOR:HBArs:BUNIts?
Arguments	SPECView<x> specifies the Spectrum View number. <x> is always 1.
Returns	The vertical position of Cursor B in the vertical units of the cursor source.
Examples	DISplay:SPECView1:CURSor:CURSOR:HBArs:BPOSition? might return DISplay:SPECView1:CURSor:CURSOR:HBArs:BPOSition -67.8 indicating the Cursor A vertical position is -67.8 units (such as dBm).

DISplay:SPECView<x>:CURSor:CURSOR:HBArs:BUNIts? (Query Only)

This command queries the Cursor B horizontal bar's amplitude units in the Spectrum View.

Group	Cursor
Syntax	DISplay:SPECView<x>:CURSOR:CURSOR:HBArs:BUNIts?
Related Commands	DISplay:SPECView<x>:CURSOR:CURSOR:HBArs:BPOsition
Arguments	SPECView<x> specifies the Spectrum View number. <x> is always 1.
Returns	The vertical units of the Spectrum View Cursor B as a QString.
Examples	DISplay:SPECView1:CURSOR:CURSOR:HBArs:BUNIts? might return DISplay:SPECView1:CURSOR:CURSOR:HBArs:BUNIts "dBmV", indicating the Cursor A vertical units are decibel millivolts.

DISplay:SPECView<x>:CURSOR:CURSOR:READout

This command sets or queries the Cursor B readout type in the Spectrum View.

Group	Cursor
Syntax	DISplay:SPECView<x>:CURSOR:CURSOR:READout {ABSOLUTE DELTA} DISplay:SPECView<x>:CURSOR:CURSOR:READout?
Arguments	SPECView<x> specifies the Spectrum View number. <x> is always 1. ABSOLUTE specifies the Cursor B readout displays absolute frequency and amplitude. DELTA specifies the Cursor B readout displays delta frequency and amplitude from Cursor A.
Examples	DISplay:SPECView1:CURSOR:CURSOR:READout ABSOLUTE sets the readout type to Absolute for Cursor B. DISplay:SPECView1:CURSOR:CURSOR:READout? might return DISplay:SPECView1:CURSOR:CURSOR:READout DELTA, indicating the readout type is Delta between Cursor A and B.

DISplay:SPECView<x>:CURSor:CURSOR:SPLITMODE

This command sets or queries whether both Spectrum View cursors have the same or different sources.

Group	Cursor
Syntax	DISplay:SPECView<x>:CURSor:CURSOR:SPLITMODE {SAME SPLIT} DISplay:SPECView<x>:CURSor:CURSOR:SPLITMODE?
Arguments	SPECView<x> specifies the Spectrum View number. <x> is always 1. SAME specifies that both Spectrum View cursors have the same source SPLIT specifies that both Spectrum View cursors have independent sources.
Examples	DISplay:SPECView1:CURSor:CURSOR:SPLITMODE SPLIT sets the Spectrum View cursors have independent sources. DISplay:SPECView1:CURSor:CURSOR:SPLITMODE? might return DISplay:SPECView1:CURSor:CURSOR:SPLITMODE SAME, indicating the Spectrum View cursors have the same source.

DISplay:SPECView<x>:CURSor:CURSOR:STATE

This command sets or queries the visibility state of the cursors in the Spectrum View.

Group	Cursor
Syntax	DISplay:SPECView<x>:CURSor:CURSOR:STATE {ON OFF} DISplay:SPECView<x>:CURSor:CURSOR:STATE?
Arguments	SPECView<x> specifies the Spectrum View number. <x> is always 1. ON enables viewing cursors in the Spectrum View. OFF disables viewing cursors in the Spectrum View.
Examples	DISplay:SPECView1:CURSor:CURSOR:STATE OFF enables (displays) cursors in the Spectrum View.

DISPlay:SPECView1:CURSor:CURSOR:STATE? might return
 DISPlay:SPECView1:CURSor:CURSOR:STATE ON, indicating the Spectrum
 View cursors are enabled (being displayed).

DISPlay:SPECView<x>:CURSor:CURSOR:VBArS:APOsition

This command sets or queries the Cursor A vertical bar's horizontal position in the Spectrum View.

Group	Cursor
Syntax	DISPlay:SPECView<x>:CURSor:CURSOR:VBArS:APOsition <NR3> DISPlay:SPECView<x>:CURSor:CURSOR:VBArS:APOsition?
Arguments	SPECView<x> specifies the Spectrum View number. <x> is always 1. <NR3> specifies the horizontal position of Cursor A in Hz. The available frequency range is set by the frequencies at the left and right edges of the Spectrum View for the cursor source.
Examples	DISPlay:SPECView1:CURSor:CURSOR:VBArS:APOsition 50E+6 sets the Spectrum View Cursor B position to 50 MHz. DISPlay:SPECView1:CURSor:CURSOR:VBArS:APOsition? might return DISPlay:SPECView1:CURSor:CURSOR:VBArS:APOsition 48.5E+6, indicating the Spectrum View Cursor B position is 48.5 MHz.

DISPlay:SPECView<x>:CURSor:CURSOR:VBArS:BPOsition

This command sets or queries the Cursor B vertical bar's horizontal position in the Spectrum View.

Group	Cursor
Syntax	DISPlay:SPECView<x>:CURSor:CURSOR:VBArS:BPOsition <NR3> DISPlay:SPECView<x>:CURSor:CURSOR:VBArS:BPOsition?
Arguments	SPECView<x> specifies the Spectrum View number. <x> is always 1. <NR3> specifies the horizontal position of Cursor B in Hz. The available frequency range is set by the frequencies at the left and right edges of the Spectrum View for the cursor source.

Examples `DISPlay:SPECView1:CURSor:CURSOR:VBArS:BPOsition 55E+6` sets the Spectrum View Cursor B position to 55 MHz.

`DISPlay:SPECView1:CURSor:CURSOR:VBArS:APOsition?` might return `DISPlay:SPECView1:CURSor:CURSOR:VBArS:APOsition 482.5E+6`, indicating the Spectrum View Cursor B position is 42.5 MHz.

DISPlay:SPECView<x>:CURSor:CURSOR:VBArS:UNIts? (Query Only)

This command queries the cursor horizontal units in the Spectrum View.

Group Cursor

Syntax `DISPlay:SPECView<x>:CURSor:CURSOR:VBArS:UNIts?`

Arguments `SPECView<x>` specifies the Spectrum View number. `<x>` is always 1.

Returns The horizontal units of the Spectrum View as a QString.

Examples `DISPlay:SPECView1:CURSor:CURSOR:VBArS:UNIts?` might return `DISPlay:SPECView1:CURSor:CURSOR:VBArS:UNIts "Hz"`, indicating the cursor horizontal units are Hertz.

DISPlay:SPECView<x>:CURSor:CURSOR:WAVEform:APOsition

This command sets or queries the Cursor A horizontal position in the Spectrum View.

Group Cursor

Syntax `DISPlay:SPECView<x>:CURSor:CURSOR:WAVEform:APOsition <NR3>`
`DISPlay:SPECView<x>:CURSor:CURSOR:WAVEform:APOsition?`

Arguments `SPECView<x>` specifies the Spectrum View number. `<x>` is always 1.

`<NR3>` specifies the horizontal position of Spectrum View Cursor A in Hz. The range of values is the frequencies at the left and right edges of the Spectrum View for the cursor source

Examples `DISPlay:SPECView1:CURSor:CURSOR:WAVEform:APOSition 22E+6` sets the Spectrum View Cursor B position to 22 MHz.

`DISPlay:SPECView1:CURSor:CURSOR:WAVEform:APOSition?` might return `DISPlay:SPECView1:CURSor:CURSOR:WAVEform:APOSition 48.5E+6`, indicating the Spectrum View Cursor A position is 48.5 MHz.

DISPlay:SPECView<x>:CURSor:CURSOR:WAVEform:BPOSition

This command sets or queries the Cursor B horizontal position in the Spectrum View.

Group Cursor

Syntax `DISPlay:SPECView<x>:CURSor:CURSOR:WAVEform:BPOSition <NR3>`
`DISPlay:SPECView<x>:CURSor:CURSOR:WAVEform:BPOSition?`

Arguments `SPECView<x>` specifies the Spectrum View number. `<x>` is always 1.

`<NR3>` specifies the horizontal position of Spectrum View Cursor B in Hz. The range of values is the frequencies at the left and right edges of the Spectrum View for the cursor source

Examples `DISPlay:SPECView1:CURSor:CURSOR:WAVEform:BPOSition 22E+6` sets the Spectrum View Cursor B position to 22 MHz.

`DISPlay:SPECView1:CURSor:CURSOR:WAVEform:BPOSition?` might return `DISPlay:SPECView1:CURSor:CURSOR:WAVEform:BPOSition 48.5E+6`, indicating the Spectrum View Cursor B position is 48.5 MHz.

DISPlay:SPECView<x>:HORZ

This command sets or queries the horizontal display scaling of the Spectrum View window.

Group Display

Syntax `DISPlay:SPECView<x>:HORZ {LOG|LINEAR}`
`DISPlay:SPECView<x>:HORZ?`

- Arguments** `SPECview<x>` specifies the Spectrum View number. <x> is always 1.
`LINEAR` sets the Spectrum View horizontal scaling to linear.
`LOG` sets the Spectrum View horizontal scaling to log.
- Examples** `DISplay:SPECview1:HORIZ LOG` sets the horizontal display scaling in the Spectrum View window to log.
`DISplay:SPECview1:HORIZ?` might return `:DISplay:SPECview1:HORIZ LOG`, indicating that the horizontal display scaling in the Spectrum View window is set to log.

DISplay:SPECView<x>:GRATICule

This command sets or queries the type of graticule shown in the Spectrum View window. The same grid is used for all spectrum traces.

- Group** Display
- Syntax** `DISplay:SPECview<x>:GRATICule {GRID|TIME|FULL|NONE}`
`DISplay:SPECview<x>:GRATICule?`
- Arguments** `SPECview<x>` specifies the Spectrum View number. <x> is always 1.
`GRID` specifies to show the Grid graticule (frame and grid) in the Spectrum View window.
`TIME` specifies to show the Time graticule in the Spectrum View window.
`FULL` specifies to show the Full graticule (frame, a grid and cross hairs) in the Spectrum View window.
`NONE` specifies to show no graticule in the Spectrum View window.
- Examples** `DISplay:SPECview1:GRATICule TIME` sets the Spectrum View window to show a Time graticule.
`DISplay:SPECview1:GRATICule?` might return `GRID`, indicating that the Spectrum View is showing a Grid graticule.

DISplay:SPECView<x>:INTENSITY:GRATICule

This command sets or queries the graticule saturation (brightness) level in the Spectrum View window.

NOTE. *This command also changes the intensity of the vertical scale values on the graticule.*

Group	Display
Syntax	DISplay:SPECview<x>:INTENSITY:GRATICule <NR2> DISplay:SPECview<x>:INTENSITY:GRATICule?
Arguments	SPECview<x> specifies the Spectrum View number. <x> is always 1. <NR2> specifies the Spectrum View graticule intensity lever as a percent between 0% and 100%.
Examples	DISplay:SPECview1:INTENSITY:GRATICule 75 sets the Spectrum View graticule saturation level to 75%. DISplay:SPECview1:INTENSITY:GRATICule? might return 66.0, indicating the Spectrum View graticule saturation level is at 66%.

DISplay:SPECView<x>:INTENSITY:WAVEform

This command sets or queries the spectrum trace saturation (brightness) level in the Spectrum View window.

Group	Display
Syntax	DISplay:SPECview<x>:INTENSITY:WAVEform <NR2> DISplay:SPECview<x>:INTENSITY:WAVEform?
Arguments	SPECview<x> specifies the Spectrum View number. <x> is always 1. <NR2> specifies the spectrum trace intensity lever as a percent between 1% and 100%.
Examples	DISplay:SPECview1:INTENSITY:WAVEform 75 sets the spectrum trace saturation level to 75%. DISplay:SPECview1:INTENSITY:WAVEform? might return 80.0, indicating the spectrum trace saturation level is at 80%.

DISplay:SPECView<x>:VIEWStyle

This command sets or queries the spectrum trace layout style used by the Spectrum View window.

Group Display

Syntax DISplay:SPECview<x>:VIEWstyle {OVERlay|STACKed}
DISplay:SPECview<x>:VIEWstyle?

Arguments SPECview<x> specifies the Spectrum View number. <x> is always 1.
OVERlay specifies the Spectrum View window to show all spectrum traces drawn on top of each other.
STACKed specifies the Spectrum View window to show each spectrum trace in a separate horizontal slice.

Examples DISplay:SPECview1:VIEWstyle OVERlay sets the view style to overlay.
DISplay:SPECview1:VIEWstyle? might return STACKED, indicating the Spectrum View window is showing spectrum traces in stacked mode.

DISplay:VARpersist

This command sets or queries display persistence decay time, which is the approximate decay time for a freshly struck persistence sample.

Group Display Control

Syntax DISplay:VARpersist <NR3>
DISplay:VARpersist?

Related Commands [DISplay:PERsistence](#)

Arguments <NR3> indicates the persistence decay time and ranges from 0.5 to 100.

Examples DISPLAY:VARPERSIST 5 sets the persistence decay time to 5.
DISPLAY:VARPERSIST? might return :DISPLAY:VARPERSIST 3.0000E-01, indicating that persistence decay time is currently set to 0.300.

DISplay:WAVEform

This command globally enables or disables the waveform display. When disabled, the waveform is still acquired and held in memory, but it is not drawn to the screen. Disabling the waveform display may improve processing speed.

Group	Cursor
Syntax	DISplay:WAVEform {<NR1> OFF ON} DISplay:WAVEform?
Arguments	<NR1> enables or disables the waveform display. 0 disables the waveform display; any other value enables the waveform display. ON enables the waveform display. OFF disables the waveform display.
Examples	DISplay:WAVEform OFF disables the waveform display. DISplay:WAVEform? might return DISplay:WAVEform 1, indicating that the waveform display is enabled.

DISplay:WAVEView:CURSOr:CURSOR1:ROLOCATION

This command sets or queries the location to display the Waveform View cursor readouts (in the Waveform View graticule or in a badge in the Results Bar).

Group	Cursor
Syntax	DISplay:WAVEView:CURSOr:CURSOR1:ROLOCATION {GRATICULE BADGE} DISplay:WAVEView:CURSOr:CURSOR1:ROLOCATION?
Arguments	GRATICULE sets the Waveform View cursor readouts to display as part of the cursors in the plot view. BADGE removes the Waveform View cursor readouts from the cursors in the graticule and displays the cursor information as a badge in the Results Bar.
Examples	DISplay:WAVEView:CURSOr:CURSOR1:ROLOCATION GRATICULE sets the cursor readout information for the Waveform View to display in the Waveform View graticule.

DISPlay:WAVEView:CURSOR:CURSOR1:ROLOCATION? might return DISPlay:WAVEView:CURSOR:CURSOR1:ROLOCATION BADGE, indicating that cursor readout information for the Waveform View is set to display as a badge in the Results Bar.

DISPlay:WAVEView:GRIDTYPE

This command sets or queries the Waveform View Graticule type.

Group	Display
Syntax	DISPlay:WAVEView:GRIDTYPE {MOVEABLE FIXED} DISPlay:WAVEView:GRIDTYPE?
Arguments	MOVEABLE sets the Waveform View so that both the waveform and the grid (graticule) move together when moving the waveform horizontally FIXED sets the Waveform View so that the grid does not move when moving the waveform horizontally.
Examples	DISPlay:WAVEView:GRIDTYPE MOVEABLE sets the Waveform View to enable both the graticule and the waveform to move together. DISPlay:WAVEView:GRIDTYPE? might return FIXED, indicating that the graticule will not change positions if the waveform moves horizontally.

DISPlay:WAVEView<x>:BUS:B<x>:STATE

Sets or queries the state of the specified bus in the specified Waveform View.

NOTE. *WAVEView<x>* is the specified Waveform View and must be *WAVEView1*.

Group	Display Control
Syntax	DISPlay:WAVEView<x>:BUS:B<x>:STATE {OFF ON 0 1} DISPlay:WAVEView<x>:BUS:B<x>:STATE?
Arguments	0 turns specified bus off. 1 turns the specified bus on.

ON turns the specified bus on.

OFF turns specified bus off.

Examples `DISPlay:WAVEview1:BUS:B1:STATE OFF` turns specified bus off.
`DISPlay:WAVEview1:BUS:B1:STATE?` might return
`:DISPLAY:WAVEVIEW1:BUS:B1:STATE 1` indicating the specified bus is on.

DISPlay:WAVEView<x>:BUS:B<x>:VERTical:POSition

Sets or queries the vertical position of the specified bus in the specified Waveform View.

NOTE. *WAVEView<x> is the specified Waveform View and must be WAVEView1.*

Group Display Control

Syntax `DISPlay:WAVEview<x>:BUS:B<x>:VERTical:POSition <NR3>`
`DISPlay:WAVEview<x>:BUS:B<x>:VERTical:POSition?`

Arguments <NR3> is the vertical position of the specified bus.

Examples `DISPlay:WAVEview1:BUS:B1:VERTical:POSition 1.0e0` sets the position to 1 division.
`DISPlay:WAVEview1:BUS:B1:VERTical:POSition?` might return
`:DISPLAY:WAVEVIEW1:BUS:B1:VERTICAL:POSITION 0.0E+0` indicating the position is 0.0 divisions.

DISPlay:WAVEView<x>:CH<x>:STATE

Sets or queries the state of the specified channel in the specified Waveform View.

NOTE. *WAVEView<x> is the specified Waveform View and must be WAVEView1.*

Group Display Control

Syntax `DISPlay:WAVEview<x>:CH<x>:STATE {<NR1>|OFF|ON}`
`DISPlay:WAVEview<x>:CH<x>:STATE?`

Arguments <NR1> = 0 disables the specified channel on the specified Waveform View; any other value turns this feature on.

OFF disables the display the specified channel on the specified Waveform View.

ON enables the specified channel on the specified Waveform View.

Examples DISPlay:WAVEView1:CH1:STATE ON turns on channel 1.

DISPlay:WAVEView1:CH1:STATE? might return
:DISPLAY:WAVEVIEW1:CH1:STATE 0 indicating channel 1 is off.

DISPlay:WAVEView<x>:CH<x>:VERTical:POSition

Sets or queries the vertical position of the specified channel in the specified Waveform View in divisions. 0.0 divisions is center, 5.0 top of the window, and -5.0 the bottom of the window.

NOTE. *WAVEView<x> is the specified Waveform View and must be WAVEView1.*

Group Display Control

Syntax DISPlay:WAVEView<x>:CH<x>:VERTical:POSition <NR3>
DISPlay:WAVEView<x>:CH<x>:VERTical:POSition?

Arguments <NR3> is the vertical position in divisions. 0.0 divisions is center, 5.0 top of the window, and -5.0 the bottom of the window.

Examples DISPlay:WAVEView1:CH1:VERTical:POSition 1.0e0 sets the position to 1 division.

DISPlay:WAVEView1:CH1:VERTical:POSition? might return
:DISPLAY:WAVEVIEW1:CH1:VERTICAL:POSITION -3.4400 indicating the channel 1 vertical position is -3.44 divisions.

DISPlay:WAVEView<x>:CH<x>:VERTical:SCALE

Sets or queries the vertical scale of the specified channel in volts per division within the specified Waveform View.

NOTE. *WAVEView<x> is the specified Waveform View and must be WAVEView1.*

Group	Display Control
Syntax	<pre>DISplay:WAVEview<x>:CH<x>:VERTical:SCALE <NR3> DISplay:WAVEview<x>:CH<x>:VERTical:SCALE?</pre>
Arguments	<NR3> is the vertical scale of the specified channel.
Examples	<p>DISplay:WAVEview1:CH1:VERTical:SCALE 2.0e2 sets the vertical scale to 200 mV per division.</p> <p>DISplay:WAVEview1:CH1:VERTical:SCALE? might return :DISPLAY:WAVEVIEW1:CH1:VERTICAL:SCALE 200.0000E-3 indicating the scale is 200 mV per division.</p>

DISplay:WAVEView<x>:CH<x>_DALL:STATE

This command sets or queries the display state of the specified digital channel in the specified Waveform View.

Group	Display Control
Syntax	<pre>DISplay:WAVEview<x>:CH<x>_DALL:STATE {<NR1> OFF ON} DISplay:WAVEview<x>:CH<x>_DALL:STATE?</pre>
Arguments	<p><NR1> = 0 disables the display of the specified channels on the specified Waveform View; any other value turns this feature on.</p> <p>OFF disables the display of the specified channels on the specified Waveform View.</p> <p>ON enables the display of the specified channels on the specified Waveform View.</p>
Examples	<p>DISplay:WAVEview1:CH1_DALL:STATE ON enables the display of the specified channels on the specified Waveform View.</p> <p>DISplay:WAVEview1:CH1_DALL:STATE? might return :DISPLAY:WAVEVIEW1:CH1_DALL:STATE 0 indicating specified digital channels in the specified Waveform View are off.</p>

DISplay:WAVEView<x>:CH<x>_DALL:VERTical:POSition

This command sets or queries the vertical position of the specified digital channel in the specified Waveform View in divisions. The position ranges from 5.0 to -5.0 divisions.

Group	Display Control
Syntax	DISplay:WAVEview<x>:CH<x>_DALL:VERTical:POSition <NR3> DISplay:WAVEview<x>:CH<x>_DALL:VERTical:POSition?
Arguments	<NR3> is the vertical position of the specified digital channel in the specified Waveform View in divisions.
Examples	DISplay:WAVEview1:CH1_DALL:VERTical:POSition 1.0e0 sets the vertical position to 1.0 divisions. DISplay:WAVEview1:CH1_DALL:VERTical:POSition? might return :DISPLAY:WAVEVIEW1:CH1_DALL:VERTICAL:POSITION 0.0E+0 indicating the vertical position is 0.0 divisions.

DISplay:WAVEView<x>:CH<x>_D<x>:STATE

This command sets or queries the display state of the specified digital channel in the specified Waveform View.

Group	Display Control
Syntax	DISplay:WAVEview<x>:CH<x>_D<x>:STATE {<NR1> OFF ON} DISplay:WAVEview<x>:CH<x>_D<x>:STATE?
Arguments	<NR1> = 0 disables the display of the specified channel on the specified Waveform View; any other value turns this feature on. OFF disables the display of the specified channel on the specified Waveform View. ON enables the display of the specified channel on the specified Waveform View.
Examples	DISplay:WAVEview1:CH1_D1:STATE OFF turns off the specified digital channel.

DISPlay:WAVEView1:CH1_D1:STATE? might return
:DISPLAY:WAVEVIEW1:CH1_D1:STATE 1 indicating the specified digital
channel is on.

DISPlay:WAVEView<x>:CURSOR? (Query Only)

This query returns the cursor parameters for the specified Waveform View.

NOTE. *WAVEView<x>* is the specified Waveform View and must be *WAVEView1*.

Group	Cursor
Syntax	DISPlay:WAVEView<x>:CURSOR?
Returns	Returns the cursor parameters for the specified Waveform View.
Examples	DISPlay:WAVEView1:CURSOR? might return WAVEFORM;AUTO;2.4993299784074;2.4958885115371; -3.4414668702805E-3;"A";"A";300.0E-6;2.2369669999970; 256.967000E-3;-300.0E-6;-300.0E-6;300.0E-6; "???? ????";"s";"???? ????";600.0E-6;1.6666666666667E+3; 1;300.0E-6;-300.0E-6;SAME;4.1655499640123E+3;INDEPENDENT;AUTO

DISPlay:WAVEView<x>:CURSOR:CURSOR<x>? (Query Only)

This query returns the cursor parameters for the specified cursor in the specified Waveform View.

NOTE. *WAVEView<x>* is the specified Waveform View and must be *WAVEView1*.
Cursor<x> is the specified cursor and must be *CURSOR1*.

Group	Cursor
Syntax	DISPlay:WAVEView<x>:CURSOR:CURSOR<x>?
Returns	Returns the cursor parameters for the specified cursor in the specified Waveform View.

Examples DISplay:WAVEView1:CURSor:CURSOR1? might return
:DISPLAY:WAVEVIEW1:CURSOR:CURSOR:WAVEFORM:BPOSITION
5.0E-6;APOSITION
-5.0E-6;;DISPLAY:WAVEVIEW1:CURSOR:CURSOR:BSOURCE
AUTO;HBARS:BPOSITION 9.91E+37;BUNITS
"V";AUNITS "V";APOSITION 9.91E+37;DELTA
9.91E+37;;DISPLAY:WAVEVIEW1:CURSOR:CURSOR:VBARS:
BPOSITION 5.0E-6;APOSITION -5.0E-6;UNITS "s";DELTA
10.0E-6;ALTERNATEB "???? ????";ALTERNATEA
"???? ????";DISPLAY:WAVEVIEW1:CURSOR:CURSOR:STATE
1;FUNCTION WAVEFORM;SCREEN:AYPOSITION
-2.0E-3;BXPOSITION -5.0E-6;BYPOSITION -2.0E-3;AXPOSITIO N
-5.0E-6;;DISPLAY:WAVEVIEW1:CURSOR:CURSOR:MODE
INDEPENDENT;ASOURCE AUTO;DDT
9.91E+37;ONEOVERDELTAVALUE 100.0E+3;SPLITM ODE
SAME;LINESTYLE SOLID.

DISplay:WAVEView<x>:CURSor:CURSOR<x>:ASOURce

This command sets or queries the cursor A source of the specified cursor in the specified Waveform View.

NOTE. *WAVEView<x>* is the specified Waveform View and must be *WAVEView1*.
Cursor<x> is the specified cursor and must be *CURSOR1*.

Group Cursor

Syntax DISplay:WAVEview<x>:CURSor:CURSOR<x>:ASOURce
{AUTO|CH<x>|BUS<x>|MATH<x>|REF<x>|PLOT<x>}
DISplay:WAVEview<x>:CURSor:CURSOR<x>:ASOURce?

Arguments AUTO specifies to use the selected source.
CH<x> specifies an analog channel as source.
MATH<x> specifies a math channel as source.
BUS<x> specifies a bus as source.
REF<x> specifies a reference waveform as the source.
PLOT<x> specifies a plot as the source.

Examples DISplay:WAVEview1:CURSor:CURSOR1:ASOURce CH1 sets the cursor
1 source to channel 1.

DISPlay:WAVEView1:CURSOR:CURSOR1:ASource? might return
:DISPLAY:WAVEVIEW1:CURSOR:CURSOR1:ASOURCE REF1 indicating the
cursor A source is reference 1.

DISPlay:WAVEView<x>:CURSOR:CURSOR<x>:BSOURCE

This command sets or queries the cursor B source of the specified cursor in the specified Waveform View.

NOTE. *WAVEView<x>* is the specified Waveform View and must be *WAVEView1*.
Cursor<x> is the specified cursor and must be *CURSOR1*.

Group	Cursor
Syntax	DISPlay:WAVEView<x>:CURSOR:CURSOR<x>:BSOURCE {CH<x> BUS<x> MATH<x> REF<x> PLOT<x>} DISPlay:WAVEView<x>:CURSOR:CURSOR<x>:BSOURCE?
Arguments	CH<x> specifies an analog channel as source. MATH<x> specifies a math channel as source. BUS<x> specifies a bus as source. REF<x> specifies a reference waveform as the source. PLOT<x> specifies a plot as the source.
Examples	DISPlay:WAVEView1:CURSOR:CURSOR1:BSOURCE CH1 sets the cursor B source to channel 1. DISPlay:WAVEView1:CURSOR:CURSOR1:BSOURCE? might return :DISPLAY:WAVEVIEW1:CURSOR:CURSOR1:BSOURCE REF1 indicating the cursor b source is reference 1.

DISPlay:WAVEView<x>:CURSOR:CURSOR<x>:DDT? (Query Only)

This query returns the delta V over delta T cursor readout value of the specified cursor in the specified Waveform View.

NOTE. *WAVEView<x>* is the specified Waveform View and must be *WAVEView1*.
Cursor<x> is the specified cursor and must be *CURSOR1*.

Group	Cursor
Syntax	DISPlay:WAVEView<x>:CURSOR:CURSOR<x>:DDT?
Returns	The delta V over delta T cursor readout value of the specified cursor in the specified Waveform View.
Examples	DISPlay:WAVEView1:CURSOR:CURSOR1:DDT? might return :DISPLAY:WAVEVIEW1:CURSOR:CURSOR1:DDT 9.91E+37 indicating the delta V over delta T cursor readout value of the specified cursor is 9.91E+37.

DISPlay:WAVEView<x>:CURSOR:CURSOR<x>:FUNCTION

This command sets or queries the cursor type of the specified cursor in the specified Waveform View.

NOTE. *WAVEView<x>* is the specified Waveform View and must be *WAVEView1*.
Cursor<x> is the specified cursor and must be *CURSOR1*.

Group	Cursor
Syntax	DISPlay:WAVEView<x>:CURSOR:CURSOR<x>:FUNCTION {SCREEN WAVEFORM VBARS HBARS} DISPlay:WAVEView<x>:CURSOR:CURSOR<x>:FUNCTION?
Arguments	<p>HBARS specifies horizontal bar cursors, which measure in vertical units.</p> <p>VBARS specifies vertical bar cursors, which measure in horizontal units.</p> <p>SCREEN specifies both horizontal and vertical bar cursors, which measure in horizontal and vertical units specified by the Cursor 1 and Cursor 2 Sources. Use these cursors to measure anywhere in the waveform display area.</p> <p>WAVEFORM specifies paired or split cursors in YT display format for measuring waveform amplitude and time. In XY and XYZ format, these cursors indicate the amplitude positions of an XY pair (Ch1 vs Ch2 voltage, where Ch1 is the X axis and Ch2 is the Y axis) relative to the trigger.</p>
Examples	DISPLAY:WAVEVIEW1:CURSOR:CURSOR1:FUNCTION VBARS selects the vertical bar cursor type for the specified Waveform View and cursor.

DISPLAY:WAVEVIEW1:CURSOR:CURSOR1:FUNCTION? might return
:DISPLAY:WAVEVIEW1:CURSOR:CURSOR1:FUNCTION HBARS indicating that
the specified cursor is set to HBARS.

DISplay:WAVEView<x>:CURSor:CURSOR<x>:HBARs:APOSition

Sets or queries the HBARS vertical A position of the specified cursor in the specified Waveform View.

NOTE. *WAVEView<x>* is the specified Waveform View and must be *WAVEView1*.
Cursor<x> is the specified cursor and must be *CURSOR1*.

Group	Cursor
Syntax	DISplay:WAVEview<x>:CURSor:CURSOR<x>:HBARs:APOSition <NR3> DISplay:WAVEview<x>:CURSor:CURSOR<x>:HBARs:APOSition?
Arguments	<NR3> is the vertical cursor A position of the specified cursor in the specified Waveform View. 0.0 divisions is center, 5.0 top of the waveview, and -5.0 the bottom of the waveview.
Examples	DISplay:WAVEview1:CURSor:CURSOR1:HBARs:APOSition 3.0e0 sets the cursor position to 3 V. DISplay:WAVEview1:CURSor:CURSOR1:HBARs:APOSition? might return :DISPLAY:WAVEVIEW1:CURSOR:CURSOR1:HBARS:APOSITION 2.9303448275862 indicating the cursor position is 2.93 V.

DISplay:WAVEView<x>:CURSor:CURSOR<x>:HBARs:AUNIts? (Query Only)

This command queries the cursor A vertical units of the specified cursor in the specified Waveform View.

NOTE. *WAVEView<x>* is the specified Waveform View and must be *WAVEView1*.
Cursor<x> is the specified cursor and must be *CURSOR1*.

Group	Cursor
Syntax	DISplay:WAVEview<x>:CURSor:CURSOR<x>:HBARs:AUNIts?

Arguments <QString> is the cursor A vertical units of the specified cursor in the specified Waveform View.

Examples DISPlay:WAVEView1:CURSor:CURSOR1:HBArs:AUNIts? might return :DISPLAY:WAVEVIEW1:CURSOR:CURSOR1:HARS:AUNITS "V" indicating the AUNITS are set to Volts.

DISplay:WAVEView<x>:CURSor:CURSOR<x>:HBArs:BPOsition

Sets or queries the HBARs vertical B position of the specified cursor in the specified Waveform View.

NOTE. *WAVEView<x> is the specified Waveform View and must be WAVEView1. CURSor<x> is the specified cursor and must be CURSOR1.*

Group Cursor

Syntax DISPlay:WAVEView<x>:CURSor:CURSOR<x>:HBArs:BPOsition <NR3>
DISPlay:WAVEView<x>:CURSor:CURSOR<x>:HBArs:BPOsition?

Arguments <NR3> is the vertical cursor B position of the specified cursor in the specified Waveform View.

Examples DISPlay:WAVEView1:CURSor:CURSOR1:HBArs:BPOsition 4.0e-1 sets the position to 400 mV.

DISPlay:WAVEView1:CURSor:CURSOR1:HBArs:BPOsition? might return :DISPLAY:WAVEVIEW1:CURSOR:CURSOR1:HARS:BPOSITION 387.9148706896567E-3 indicating the B cursor position is 387.9 mV.

DISplay:WAVEView<x>:CURSor:CURSOR<x>:HBArs:BUNIts? (Query Only)

This command queries the cursor B vertical units of the specified cursor in the specified Waveform View.

NOTE. *WAVEView<x> is the specified Waveform View and must be WAVEView1. CURSor<x> is the specified cursor and must be CURSOR1.*

Group Cursor

Syntax	DISPlay:WAVEView<x>:CURSOR:CURSOR<x>:HBARS:BUNITS?
Returns	<QString> is the cursor B vertical units of the specified cursor in the specified Waveform View.
Examples	DISPlay:WAVEView1:CURSOR:CURSOR1:HBARS:BUNITS? might return :DISPLAY:WAVEVIEW1:CURSOR:CURSOR1:HBARS:BUNITS "V" indicating the BUNITS are set to Volts.

DISPlay:WAVEView<x>:CURSOR:CURSOR<x>:HBARS:DELTA? (Query Only)

This command queries the delta V cursor readout value of the specified cursor in the specified Waveform View.

NOTE. *WAVEView<x> is the specified Waveform View and must be WAVEView1. CURSOR<x> is the specified cursor and must be CURSOR1.*

Group	Cursor
Syntax	DISPlay:WAVEView<x>:CURSOR:CURSOR<x>:HBARS:DELTA?
Returns	The delta V cursor readout value of the specified cursor in the specified Waveform View.
Examples	DISPlay:WAVEView1:CURSOR:CURSOR1:HBARS:DELTA? might return :DISPLAY:WAVEVIEW1:CURSOR:CURSOR1:HBARS:DELTA 2.612085129310 indicating the delta between the cursors is 2.61 V.

DISPlay:WAVEView<x>:CURSOR:CURSOR<x>:MODE

Sets or queries the cursor tracking mode of the specified cursor in the specified Waveform View.

NOTE. *WAVEView<x> is the specified Waveform View and must be WAVEView1. CURSOR<x> is the specified cursor and must be CURSOR1.*

Group	Cursor
--------------	--------

Syntax	<code>DISPlay:WAVEView<x>:CURSor:CURSOR<x>:MODE {INDEPENDENT TRACK}</code>
Arguments	<p>TRACK ties the navigational functionality of the two cursors together. For cursor 1 adjustments, this ties the movement of the two cursors together; however, cursor 2 continues to move independently of cursor 1.</p> <p>INDEPENDENT allows independent adjustment of the two cursors.</p>
Examples	<p><code>DISPLAY:WAVEVIEW1:CURSOR:CURSOR1:MODE TRACK</code> specifies that the cursor positions move in unison.</p> <p><code>DISPLAY:WAVEVIEW1:CURSOR:CURSOR1:MODE?</code> might return <code>:DISPLAY:WAVEVIEW1:CURSOR:CURSOR1:MODE TRACK</code>, indicating that the two cursors move in unison.</p>

DISPlay:WAVEView<x>:CURSor:CURSOR<x>:ONEOVERDELTAVALUE? (Query Only)

This query returns the one over delta T cursor readout value of the specified cursor in the specified Waveform View.

NOTE. WAVEView<x> is the specified Waveform View and must be WAVEView1. CURSor<x> is the specified cursor and must be CURSOR1.

Group	Cursor
Syntax	<code>DISPlay:WAVEView<x>:CURSor:CURSOR<x>:ONEOVERDELTAVALUE?</code>
Returns	The one over delta T cursor readout value of the specified cursor in the specified Waveform View.
Examples	<code>DISPlay:WAVEView1:CURSor:CURSOR1:ONEOVERDELTAVALUE?</code> might return <code>:DISPLAY:WAVEVIEW1:CURSOR:CURSOR1:ONEOVERDELTAVALUE 179.3188E+3</code> indicating the one over delta time value is 179.3 kHz.

DISPlay:WAVEView<x>:CURSor:CURSOR<x>:SCREEN:AXPOSITION

Sets or queries the horizontal cursor A position of the specified cursor in the specified Waveform View.

NOTE. *WAVEView<x>* is the specified Waveform View and must be *WAVEView1*.
Cursor<x> is the specified cursor and must be *CURSOR1*.

Group	Cursor
Syntax	DISPlay:WAVEView<x>:CURSOR:CURSOR<x>:SCREEN:AXPOSITION <NR3> DISPlay:WAVEView<x>:CURSOR:CURSOR<x>:SCREEN:AXPOSITION?
Arguments	<NR3> is the horizontal cursor A position of the specified cursor in the specified Waveform View.
Examples	DISPLAY:WAVEVIEW1:CURSOR:CURSOR1:SCREEN:AXPOSITION 15.0E-3 sets the x position of screen cursor1 in waveview1 to 15 mV. DISPLAY:WAVEVIEW1:CURSOR:CURSOR1:SCREEN:AXPOSITION? might return :DISPLAY:WAVEVIEW1:CURSOR:CURSOR1:SCREEN:AXPOSITION -64.0000E-03 indicating that x position of the specified screen cursor in the specified Waveform View is set to -64 mV.

DISPlay:WAVEView<x>:CURSOR:CURSOR<x>:SCREEN:AYPOSITION

This command sets or queries the vertical cursor A position of the specified cursor in the specified Waveform View.

NOTE. *WAVEView<x>* is the specified Waveform View and must be *WAVEView1*.
Cursor<x> is the specified cursor and must be *CURSOR1*.

Group	Cursor
Syntax	DISPlay:WAVEView<x>:CURSOR:CURSOR<x>:SCREEN:AYPOSITION <NR3> DISPlay:WAVEView<x>:CURSOR:CURSOR<x>:SCREEN:AYPOSITION?
Arguments	<NR3> the vertical cursor A position of the specified cursor in the specified Waveform View.
Examples	DISPLAY:WAVEVIEW1:CURSOR:CURSOR1:SCREEN:AYPOSITION 25.0E-3 sets the y position of the specified screen cursor of the specified Waveform View to 25 mV.

DISPLAY:WAVEVIEW1:CURSOR:CURSOR1:SCREEN:AYPOSITION? might return :DISPLAY:WAVEVIEW1:CURSOR:CURSOR1:SCREEN:AYPOSITION -53.0000E-03 indicating that y position of the specified screen cursor of the specified Waveform View is set to -53 mV.

DISplay:WAVEView<x>:CURSor:CURSOR<x>:SCREEN:BXPOStion

Sets or queries the horizontal cursor B position of the specified cursor in the specified Waveform View.

NOTE. *WAVEView<x>* is the specified Waveform View and must be *WAVEView1*. *Cursor<x>* is the specified cursor and must be *CURSOR1*.

Group	Cursor
Syntax	DISplay:WAVEView<x>:CURSor:CURSOR<x>:SCREEN:BXPOStion <NR3> DISplay:WAVEView<x>:CURSor:CURSOR<x>:SCREEN:BXPOStion?
Arguments	<NR3> is the horizontal cursor B position of the specified cursor in the specified Waveform View.
Examples	<p>DISPLAY:WAVEVIEW1:CURSOR:CURSOR1:SCREEN:AXPOSITION 15.0E-3 sets the x position of the specified screen cursor in the specified Waveform View to 15 mV.</p> <p>DISPLAY:WAVEVIEW1:CURSOR:CURSOR1:SCREEN:AXPOSITION? might return :DISPLAY:WAVEVIEW1:CURSOR:CURSOR1:SCREEN:AXPOSITION -64.0000E-03 indicating that x position of the specified screen cursor in the specified Waveform View is set to -64 mV.</p>

DISplay:WAVEView<x>:CURSor:CURSOR<x>:SCREEN:BYPOStion

This command sets or queries the vertical cursor B position of the specified cursor in the specified Waveform View.

NOTE. *WAVEView<x>* is the specified Waveform View and must be *WAVEView1*. *Cursor<x>* is the specified cursor and must be *CURSOR1*.

Group	Cursor
--------------	--------

Syntax	DISPlay:WAVEView<x>:CURSOR:CURSOR<x>:SCREEN:BYPOSITION <NR3> DISPlay:WAVEView<x>:CURSOR:CURSOR<x>:SCREEN:BYPOSITION?
Arguments	<NR3> the vertical cursor B position of the specified cursor in the specified Waveform View.
Examples	DISPLAY:WAVEVIEW1:CURSOR:CURSOR1:SCREEN:BYPOSITION 25.0E-3 sets the y position of the screen cursor of waveview1 to 25 mV. DISPLAY:WAVEVIEW1:CURSOR:CURSOR1:SCREEN:BYPOSITION? might return :DISPLAY:WAVEVIEW1:CURSOR:CURSOR1:SCREEN:BYPOSITION -53.0000E-03 indicating that y position of the specified screen cursor of the specified Waveform View is set to -53 mV.

DISPlay:WAVEView<x>:CURSOR:CURSOR<x>:SPLITMODE

This command sets or queries whether both cursors have the same or different sources.

NOTE. *WAVEView<x> is the specified Waveform View and must be WAVEView1. CURSOR<x> is the specified cursor and must be CURSOR1.*

Group	Cursor
Syntax	DISPlay:WAVEView<x>:CURSOR:CURSOR<x>:SPLITMODE {SAME SPLIT} DISPlay:WAVEView<x>:CURSOR:CURSOR<x>:SPLITMODE?
Arguments	SAME specifies both cursors have the same source. SPLIT specifies the cursors have different sources.
Examples	DISPlay:WAVEView1:CURSOR:CURSOR1:SPLITMODE SPLIT specifies the cursors have different sources. DISPlay:WAVEView1:CURSOR:CURSOR1:SPLITMODE? might return :DISPLAY:WAVEVIEW1:CURSOR:CURSOR1:SPLITMODE SAME indicating the cursors have the same source.

DISPlay:WAVEView<x>:CURSOR:CURSOR<x>:STATE

This command sets or queries the visible state of the specified cursor in the specified Waveform View.

NOTE. *WAVEView<x>* is the specified Waveform View and must be *WAVEView1*.
Cursor<x> is the specified cursor and must be *CURSOR1*.

Group	Cursor
Syntax	DISplay:WAVEView<x>:CURSor:CURSOR<x>:STATE {<NR1> OFF ON} DISplay:WAVEView<x>:CURSor:CURSOR<x>:STATE?
Arguments	<NR1> = 0 disables the specified cursor in the specified Waveform View; any other value turns this feature on. OFF disables the specified cursor in the specified Waveform View. ON enables the specified cursor in the specified Waveform View.
Examples	DISplay:WAVEView1:CURSor:CURSOR1:STATE OFF turns the specified cursor off. DISplay:WAVEView1:CURSor:CURSOR1:STATE? might return :DISPLAY:WAVEVIEW1:CURSOR:CURSOR1:STATE 1 indicating the specified cursor in the specified Waveform View is on.

DISplay:WAVEView<x>:CURSor:CURSOR<x>:VBArS:APOSition

This command sets or queries the cursor A horizontal position of the specified cursor in the specified Waveform View.

NOTE. *WAVEView<x>* is the specified Waveform View and must be *WAVEView1*.
Cursor<x> is the specified cursor and must be *CURSOR1*.

Group	Cursor
Syntax	DISplay:WAVEView<x>:CURSor:CURSOR<x>:VBArS:APOSition <NR3> DISplay:WAVEView<x>:CURSor:CURSOR<x>:VBArS:APOSition?
Arguments	<NR3> is the horizontal cursor A position of the specified cursor in the specified Waveform View.
Examples	DISplay:WAVEView1:CURSor:CURSOR1:VBArS:APOSition -4.0e-6 set the cursor position to 4.0 μ s.

DISPlay:WAVEView1:CURSor:CURSOR1:VBARS:APOSITION? might return :DISPLAY:WAVEVIEW1:CURSOR:CURSOR1:VBARS:APOSITION -5.0E-6 indicating the cursor A position is -5.0 μ s.

DISPlay:WAVEView<x>:CURSor:CURSOR<x>:VBARS:BPOSITION

This command sets or queries the cursor B horizontal position of the specified cursor in the specified Waveform View.

NOTE. *WAVEView<x>* is the specified Waveform View and must be *WAVEView1*. *Cursor<x>* is the specified cursor and must be *CURSOR1*.

Group	Cursor
Syntax	DISPlay:WAVEView<x>:CURSor:CURSOR<x>:VBARS:BPOSITION <NR3> DISPlay:WAVEView<x>:CURSor:CURSOR<x>:VBARS:BPOSITION?
Arguments	<NR3> is the horizontal cursor B position of the specified cursor in the specified Waveform View.
Examples	DISPlay:WAVEView1:CURSor:CURSOR1:VBARS:BPOSITION 4.0e-6 sets the cursor position to 4.0 μ s. DISPlay:WAVEView1:CURSor:CURSOR1:VBARS:BPOSITION? might return :DISPLAY:WAVEVIEW1:CURSOR:CURSOR1:VBARS:BPOSITION 3.2736951319481E-6 indicating the B cursor position is 3.27 μ s.

DISPlay:WAVEView<x>:CURSor:CURSOR<x>:VBARS:DELTA? (Query Only)

This query sets or returns the delta T cursor readout value of the specified cursor in the specified Waveform View.

NOTE. *WAVEView<x>* is the specified Waveform View and must be *WAVEView1*. *Cursor<x>* is the specified cursor and must be *CURSOR1*.

Group	Cursor
Syntax	DISPlay:WAVEView<x>:CURSor:CURSOR<x>:VBARS:DELTA?

Returns The delta T cursor readout value of the specified cursor in the specified Waveform View.

Examples `DISPlay:WAVEView1:CURSOR:CURSOR1:VBARS:DELTA?` might return `:DISPLAY:WAVEVIEW1:CURSOR:CURSOR1:VBARS:DELTA 6.7926388747725E-6` indicating the delta T cursor readout value is 6.79 μ s.

DISPlay:WAVEView<x>:CURSOR:CURSOR<x>:VBARS:UNIts? (Query Only)

This query returns cursor A vertical units of the specified cursor in the specified Waveform View.

***NOTE.** `WAVEView<x>` is the specified Waveform View and must be `WAVEView1`. `Cursor<x>` is the specified cursor and must be `CURSOR1`.*

Group Cursor

Syntax `DISPlay:WAVEView<x>:CURSOR:CURSOR<x>:VBARS:UNIts?`

Returns The cursor A vertical units of the specified cursor in the specified Waveform View.

Examples `DISPlay:WAVEView1:CURSOR:CURSOR1:VBARS:UNIts?` might return `:DISPLAY:WAVEVIEW1:CURSOR:CURSOR1:VBARS:UNITS "s"` indicating the cursor units are seconds.

DISPlay:WAVEView<x>:CURSOR:CURSOR<x>:WAVEform:APOSition

This command sets or queries the horizontal cursor A position of the specified cursor in the specified Waveform View.

***NOTE.** `WAVEView<x>` is the specified Waveform View and must be `WAVEView1`. `Cursor<x>` is the specified cursor and must be `CURSOR1`.*

Group Cursor

Syntax `DISPlay:WAVEView<x>:CURSOR:CURSOR<x>:WAVEform:APOSition <NR3>`
`DISPlay:WAVEView<x>:CURSOR:CURSOR<x>:WAVEform:APOSition?`

Arguments <NR3> is the horizontal cursor A position of the specified cursor in the specified Waveform View.

Examples `DISPlay:WAVEView1:CURSor:CURSOR1:WAVEform:APOSITION 1.5e-6` sets the position to 1.5 μ s.

`DISPlay:WAVEView1:CURSor:CURSOR1:WAVEform:APOSITION?` might return `:DISPlay:WAVEVIEW1:CURSOR:CURSOR1:WAVEFORM:APOSITION -1.2667480236557E-6` indicating the position is 1.27 μ s.

DISPlay:WAVEView<x>:CURSor:CURSOR:WAVEform:AVPOSITION? (Query Only)

This command queries the vertical waveform value at the cursor A position in the specified Waveform View.

NOTE. *WAVEView<x> is the specified Waveform View and must be WAVEView1.*

Group Cursor

Syntax `DISPlay:WAVEView<x>:CURSor:CURSOR:WAVEform:AVPOSITION?`

Arguments <NR3> is the horizontal cursor A position of the specified cursor in the specified Waveform View.

Examples `DISPlay:WAVEView1:CURSor:CURSOR:WAVEform:AVPOSITION?` might return `:DISPlay:WAVEView1:CURSor:CURSOR:WAVEform:AVPOSITION 1.35`, indicating that the vertical waveform value at the Cursor A position is 1.35 V.

DISPlay:WAVEView<x>:CURSor:CURSOR<x>:WAVEform:BPOSITION

This command sets or queries the horizontal cursor B position of the specified cursor in the specified Waveform View.

NOTE. *WAVEView<x> is the specified Waveform View and must be WAVEView1. Cursor<x> is the specified cursor and must be CURSOR1.*

Group Cursor

Syntax `DISplay:WAVEview<x>:CURSor:CURSOR<x>:WAVEform:BPOsition <NR3>`
`DISplay:WAVEview<x>:CURSor:CURSOR<x>:WAVEform:BPOsition?`

Arguments <NR3> is the horizontal cursor B position of the specified cursor in the specified Waveform View.

Examples `DISplay:WAVEview1:CURSor:CURSOR1:WAVEform:BPOsition 8.0e-9`
sets the position to 8.0 ns.

`DISplay:WAVEview1:CURSor:CURSOR1:WAVEform:BPOsition?` might
return `:DISplay:WAVEview1:CURSor:CURSOR1:WAVEform:BPOsition`
`711.6310718892624E-9` indicating the cursor position is 711.6 ns.

DISplay:WAVEView<x>:CURSor:CURSOR:WAVEform:BVPOsition? (Query Only)

This command queries the vertical waveform value at the cursor B position in the specified Waveform View.

NOTE. *WAVEview<x> is the specified Waveform View and must be WAVEview1.*

Group Cursor

Syntax `DISplay:WAVEview<x>:CURSor:CURSOR:WAVEform:BVPOsition?`

Arguments <NR3> is the horizontal cursor A position of the specified cursor in the specified Waveform View.

Examples `DISplay:WAVEview1:CURSor:CURSOR:WAVEform:BVPOsition?` might
return `:DISplay:WAVEview1:CURSor:CURSOR:WAVEform:BVPOsition`
`-0.72`, indicating that the vertical waveform value at the Cursor B position is
-0.72 V.

DISplay:WAVEView<x>:CURSor:CURSOR:WAVEform:ALL:Values? (Query Only)

This query returns all values (Time, Voltage, Delta) associated with all the active sources in the Waveform View.

Group Cursor

Syntax	<code>DISPlay:WAVEView<x>:CURSOR:CURSOR:WAVEform:ALL:Values?</code>
Returns	All values (Time, Voltage, Delta) associated with all the active sources of the specified cursor in the specified Waveform View. Returned query response should be in the following format: t(<AH>,<BH>,<dt>,<1/dt>),<src1_name>(<AV>,<BV>,<dv>,<dv/dt>),<src2_name> (<AV>,<BV>,<dv>,<dv/dt>),<src3_name> (<AV>,<BV>,<dv>,<dv/dt>),<src4_name> (<AV>,<BV>,<dv>,<dv/dt>),<src5_name> (<AV>,<BV>,<dv>,<dv/dt>) etc..
Examples	<code>:DISPLAY:WAVEVIEW1:CURSOR:CURSOR:waveform:ALL:Values?</code> might return t(1.2e-06,1.2e-06,2.4e-06,416667),ch1(0.9958,0.9074,1.9032,793000),r ref2(1,0.9,1.9,791667),math1(1.9916,1.8148,3.8064,1.586e+06).

DISPlay:WAVEView<x>:FILTer

This command sets or queries the type of interpolation filter for the display.

NOTE. *WAVEView<x> is the specified Waveform View and must be WAVEView1.*

Group	Display Control
Syntax	<code>DISPlay:WAVEView<x>:FILTer {SINX LINEar}</code>
Arguments	LINEar specifies linear interpolation, where acquired points are connected with straight lines. SINX specifies sin(x)/x interpolation, where acquired points are fit to a curve.
Examples	<code>DISPlay:WAVEView1:FILTer SINX</code> specifies sine-curve interpolation, when magnifying waveforms. <code>DISPlay:WAVEView1:FILTer?</code> might return <code>:DISPlay:WAVEView1:FILTer LINEar</code> , indicating that straight-line interpolation is specified for magnifying waveforms.

DISPlay:WAVEView<x>:GRAticule

This command selects or queries the type of graticule that is displayed.

NOTE. *WAVEView<x>* is the specified Waveform View and must be *WAVEView1*.

Group	Display Control
Syntax	DISplay:WAVEView<x>:GRATICule {GRID TIME FULL NONE} DISplay:WAVEView<x>:GRATICule?
Arguments	GRID specifies a frame and grid only. TIME specifies a time graticule only. FULL specifies a frame, a grid and cross hairs. NONE specified no graticule.
Examples	DISplay:WAVEView1:GRATICule TIME specifies a time graticule. DISplay:WAVEView1:GRATICule? might return :DISPLAY:WAVEVIEW1:GRATICULE GRID indicating the graticule is a grid.

DISplay:WAVEView<x>:INTENSITY:GRATICule

This command sets or queries the graticule saturation level.

NOTE. *WAVEView<x>* is the specified Waveform View and must be *WAVEView1*.

Group	Display Control
Syntax	DISplay:WAVEView<x>:INTENSITY:GRATICule <NR2> DISplay:WAVEView<x>:INTENSITY:GRATICule?
Arguments	<NR2> is the graticule saturation level.
Examples	DISplay:WAVEView1:INTENSITY:GRATICule 75 sets the saturation level to 75%. DISplay:WAVEView1:INTENSITY:GRATICule? might return :DISPLAY:WAVEVIEW1:INTENSITY:GRATICULE 66.0000 indicating the saturation level is at 66%.

DISplay:WAVEView<x>:INTENSITY:WAVEform

This command sets or queries the waveform saturation level.

NOTE. *WAVEView<x> is the specified Waveform View and must be WAVEView1.*

Group	Display Control
Syntax	DISplay:WAVEview<x>:INTENSITY:WAVEform <NR2> DISplay:WAVEview<x>:INTENSITY:WAVEform?
Arguments	<NR2> is the waveform saturation level.
Examples	DISplay:WAVEview1:INTENSITY:WAVEform 75 sets the saturation level to 75%. DISplay:WAVEview1:INTENSITY:WAVEform? might return :DISPLAY:WAVEVIEW1:INTENSITY:WAVEFORM 62.0000 indicating the saturation level is 62%.

DISplay:WAVEView<x>:MATH:MATH<x>:AUTOScale

This command sets or queries whether the specified math gets auto-scaled when the math equation changes within the specified Waveform View.

Group	Display Control
Syntax	DISplay:WAVEview<x>:MATH:MATH<x>:AUTOScale {<NR1> OFF ON} DISplay:WAVEview<x>:MATH:MATH<x>:AUTOScale?
Arguments	<NR1> = 0 disables the autoscaling the math in the specified Waveform View; any other value turns this feature on. OFF disables the autoscaling the math in the specified Waveform View. ON enables the autoscaling the math in the specified Waveform View.
Examples	DISplay:WAVEview1:MATH:MATH3:AUTOScale 1 enables the autoscaling the math in the specified Waveform View.

DISplay:WAVEview1:MATH:MATH3:AUTOScale? might return
:DISPLAY:WAVEVIEW1:MATH:MATH3:AUTOSCALE 0 indicating that Math
3 will not auto-scale.

DISplay:WAVEView<x>:MATH:MATH<x>:STATE

This command sets or queries the state of the specified math waveform in the specified Waveform View.

NOTE. *WAVEView<x> is the specified Waveform View and must be WAVEView1.*

Group	Display Control
Syntax	DISplay:WAVEview<x>:MATH:MATH<x>:STATE {<NR1> OFF ON} DISplay:WAVEview<x>:MATH:MATH<x>:STATE?
Arguments	<NR1> = 0 disables the specified math in the specified Waveform View; any other value turns this feature on. OFF disables the specified math in the specified Waveform View. ON enables the specified math in the specified Waveform View.
Examples	DISplay:WAVEview1:MATH:MATH1:STATE OFF disables the specified math in the specified Waveform View. DISplay:WAVEview1:MATH:MATH2:STATE? might return :DISPLAY:WAVEVIEW1:MATH:MATH2:STATE 1 indicating the math is displayed.

DISplay:WAVEView<x>:MATH:MATH<x>:VERTical:POSition

This command sets or queries the vertical position in divisions of the specified math waveform in the specified Waveform View.

NOTE. *WAVEView<x> is the specified Waveform View and must be WAVEView1.*

Group	Display Control
Syntax	DISplay:WAVEview<x>:MATH:MATH<x>:VERTical:POSition <NR3> DISplay:WAVEview<x>:MATH:MATH<x>:VERTical:POSition?

- Arguments** <NR3> is the vertical position in divisions of the specified math waveform.
- Examples** `DISPlay:WAVEView1:MATH:MATH1:VERTical:POSition 0` sets the position to 0 divisions.
- `DISPlay:WAVEView1:MATH:MATH1:VERTical:POSition?` might return `:DISPlay:WAVEView1:MATH:MATH1:VERTical:POSition -2.2800` indicating the position is at -2.28 divisions.

DISPlay:WAVEView<x>:MATH:MATH<x>:VERTical:SCALE

Sets or queries the vertical scale of the specified math in volts per division within the specified Waveform View.

NOTE. *WAVEView<x> is the specified Waveform View and must be WAVEView1.*

- Group** Display Control
- Syntax** `DISPlay:WAVEView<x>:MATH:MATH<x>:VERTical:SCALE <NR3>`
`DISPlay:WAVEView<x>:MATH:MATH<x>:VERTical:SCALE?`
- Arguments** <NR3> is the vertical scale of the specified math waveform.
- Examples** `DISPlay:WAVEView1:MATH:MATH1:VERTical:SCALE 400e-3` sets the scale to 400 mV per division.
- `DISPlay:WAVEView1:MATH:MATH1:VERTical:SCALE?` might return `:DISPlay:WAVEView1:MATH:MATH1:VERTical:SCALE 395.0000E-3` indicating the scale is 395 mV.

DISPlay:WAVEView<x>:PLOT:PLOT<x>:AUTOScale

This command sets or queries whether the specified trend gets auto-scaled when the new data is available within the specified Waveform View.

- Group** Display Control
- Syntax** `DISPlay:WAVEView<x>:PLOT:PLOT<x>:AUTOScale {<NR1>|OFF|ON}`
`DISPlay:WAVEView<x>:PLOT:PLOT<x>:AUTOScale?`

Arguments	<p><NR1> = 0 disables auto-scaling the specified plot in the specified Waveform View; any other value turns this feature on.</p> <p>OFF disables auto-scaling the specified plot in the specified Waveform View.</p> <p>ON enables auto-scaling the specified plot in the specified Waveform View.</p>
Examples	<p>DISplay:WAVEview1:PLOT:PLOT1:AUTOScale 1 enables auto-scaling the specified plot in the specified Waveform View.</p> <p>DISplay:WAVEview1:PLOT:PLOT1:AUTOScale? might return :DISPLAY:WAVEVIEW1:PLOT:PLOT1:AUTOSCALE 0 indicating that auto-scaling for plot 1 is off.</p>

DISplay:WAVEView<x>:PLOT:PLOT<x>:STATE

This command sets or queries the state of the specified time trend plot waveform in the specified Waveform View.

Group	Display Control
Syntax	DISplay:WAVEview<x>:PLOT:PLOT<x>:STATE {<NR1> OFF ON} DISplay:WAVEview<x>:PLOT:PLOT<x>:STATE?
Arguments	<p><NR1> = 0 disables the specified plot in the specified Waveform View; any other value turns this feature on.</p> <p>OFF disables the specified plot in the specified Waveform View.</p> <p>ON enables the specified plot in the specified Waveform View.</p>
Examples	<p>DISplay:WAVEview1:PLOT:PLOT1:STATE OFF disables the specified plot in the specified Waveform View.</p> <p>DISplay:WAVEview1:PLOT:PLOT1:STATE? might return :DISPLAY:WAVEVIEW1:PLOT:PLOT1:STATE 1 indicating the specified plot in the specified Waveform View is on.</p>

DISplay:WAVEView<x>:PLOT:PLOT<x>:VERTical:POSition

This command sets or queries the vertical position of the specified time trend in the specified Waveform View in absolute units.

Group	Display Control
--------------	-----------------

Syntax	DISplay:WAVEview<x>:PLOT:PLOT<x>:VERTical:POSition <NR3> DISplay:WAVEview<x>:PLOT:PLOT<x>:VERTical:POSition?
Arguments	<NR3> is the vertical position.
Examples	DISplay:WAVEview1:PLOT:PLOT1:VERTical:POSition 2.0e0 sets the position to 2.0 units. DISplay:WAVEview1:PLOT:PLOT1:VERTical:POSition? might return :DISPLAY:WAVEVIEW1:PLOT:PLOT1:VERTICAL:POSITION 1.9918 indicating the position is 1.99 units.

DISplay:WAVEView<x>:PLOT:PLOT<x>:VERTical:SCALE

This command sets or queries the vertical scale of the specified time trend in units per division in the specified Waveform View.

Group	Display Control
Syntax	DISplay:WAVEview<x>:PLOT:PLOT<x>:VERTical:SCALE <NR3> DISplay:WAVEview<x>:PLOT:PLOT<x>:VERTical:SCALE?
Arguments	<NR3> is the vertical scale.
Examples	DISplay:WAVEview1:PLOT:PLOT1:VERTical:SCALE 725.0e-3 sets the scale to 725 mUnits. DISplay:WAVEview1:PLOT:PLOT1:VERTical:SCALE? might return :DISPLAY:WAVEVIEW1:PLOT:PLOT1:VERTICAL:SCALE 730.0000E-3 indicating the scale is 730.0 mUnits.

DISplay:WAVEView<x>:REF:REF<x>:STATE

This command sets or queries the state of the specified reference waveform in the specified Waveform View.

NOTE. *WAVEView<x> is the specified Waveform View and must be WAVEView1.*

Group	Display Control
--------------	-----------------

Syntax	<code>DISPlay:WAVEView<x>:REF:REF<x>:STATE {<NR1> OFF ON}</code> <code>DISPlay:WAVEView<x>:REF:REF<x>:STATE?</code>
Arguments	<p><NR1> = 0 disables the specified reference in the specified Waveform View; any other value turns this feature on.</p> <p>OFF disables the specified reference in the specified Waveform View.</p> <p>ON enables the specified reference in the specified Waveform View.</p>
Examples	<p><code>DISPlay:WAVEView1:REF:REF1:STATE OFF</code> disables the specified reference in the specified Waveform View.</p> <p><code>DISPlay:WAVEView1:REF:REF1:STATE?</code> might return <code>:DISPLAY:WAVEVIEW1:REF:REF1:STATE 1</code> indicating the specified reference in the specified Waveform View is on.</p>

DISPlay:WAVEView<x>:REF:REF<x>:VERTical:POSITION

This command sets or queries the vertical position in divisions of the specified reference in the specified Waveform View.

NOTE. *WAVEView<x> is the specified Waveform View and must be WAVEView1.*

Group	Display Control
Syntax	<code>DISPlay:WAVEView<x>:REF:REF<x>:VERTical:POSITION <NR3></code> <code>DISPlay:WAVEView<x>:REF:REF<x>:VERTical:POSITION?</code>
Arguments	<NR3> is the vertical position in divisions.
Examples	<p><code>DISPlay:WAVEView1:REF:REF1:VERTical:POSITION -2.5e0</code> sets the position to -2.5 divisions.</p> <p><code>DISPlay:WAVEView1:REF:REF1:VERTical:POSITION?</code> might return <code>:DISPLAY:WAVEVIEW1:REF:REF1:VERTICAL:POSITION -2.6400</code> indicating the position is set to -2.64 divisions.</p>

DISPlay:WAVEView<x>:REF:REF<x>:VERTical:SCALE

This command sets or queries the vertical scale of the specified reference in volts per div within the specified Waveform View.

NOTE. *WAVEView<x> is the specified Waveform View and must be WAVEView1.*

Group	Display Control
Syntax	DISplay:WAVEView<x>:REF:REF<x>:VERTical:SCALE <NR3> DISplay:WAVEView<x>:REF:REF<x>:VERTical:SCALE?
Arguments	<NR3> is the vertical scale of the specified reference waveform.
Examples	DISplay:WAVEView1:REF:REF1:VERTical:SCALE 400e-3 sets the scale to 400 mV per division. DISplay:WAVEView1:REF:REF1:VERTical:SCALE? might return :DISPLAY:WAVEVIEW1:REF:REF1:VERTICAL:SCALE 378.0000E-3 indicating the scale is 378 mV per division.

DISplay:WAVEView<x>:RF_FREQUENCY<x>:VERTical:POSITION

This command sets or queries the vertical position of the specified Frequency vs. Time trace in the Waveform View, in divisions.

Conditions	Requires option SV-RFVT
Group	Display
Syntax	DISplay:WAVEView<x>:RF_FREQUENCY<x>:VERTical:POSITION <NR3> DISplay:WAVEView<x>:RF_FREQUENCY<x>:VERTical:POSITION?
Arguments	WAVEView<x> is always WAVEView1. RF_FREQUENCY<x> specifies the number of the Frequency vs. Time waveform. <NR3> sets the vertical position in divisions. 0.0 divisions is center, 5.0 is the top of the Waveform View, and -5.0 is the top of the Waveform View.
Examples	DISplay:WAVEView1:RF_FREQUENCY2:VERTical:POSITION 1.2 sets the vertical position of the Channel 2 Frequency vs. Time trace to 1.2 divisions. DISplay:WAVEView1:RF_FREQUENCY1:VERTical:POSITION? might return DISplay:WAVEView1:RF_FREQUENCY1:VERTical:POSITION -4.79, indicating the Channel 1 Frequency vs. Time vertical position is -4.79 divisions.

DISplay:WAVEView<x>:RF_FREQUENCY<x>:VERTical:SCALE

This command sets or queries the vertical scale of the specified Frequency vs. Time trace in the Waveform View, in divisions.

Conditions	Requires option SV-RFVT
Group	Display
Syntax	DISplay:WAVEview<x>:RF_FREQUENCY<x>:VERTical:SCALE <NR3> DISplay:WAVEview<x>:RF_FREQUENCY<x>:VERTical:SCALE?
Arguments	WAVEview<x> is always WAVEView1. RF_FREQUENCY<x> specifies the number of the Frequency vs. Time waveform. <NR3> sets the vertical scale, in Hertz per division.
Examples	DISplay:WAVEview1:RF_FREQUENCY3:VERTical:SCALE 5.0e6 sets the vertical scale of the Channel 3 Frequency vs. Time trace to 5.0 MHz per division. DISplay:WAVEview1:RF_FREQUENCY2:VERTical:SCALE? might return DISplay:WAVEview1:RF_FREQUENCY2:VERTical:SCALE 2.0E3, indicating the vertical scale of the Channel 2 Frequency vs. Time trace is 2 KHz per division.

DISplay:WAVEView<x>:RF_MAGNitude<x>:VERTical:POSition

This command sets or queries the vertical position of the specified Magnitude vs. Time trace in the Waveform View, in divisions.

Conditions	Requires option SV-RFVT
Group	Display
Syntax	DISplay:WAVEview<x>:RF_MAGNitude<x>:VERTical:POSITION <NR3> DISplay:WAVEview<x>:RF_MAGNitude<x>:VERTical:POSITION?
Arguments	WAVEview<x> is always WAVEView1. RF_MAGNitude<x> specifies the number of the Magnitude vs. Time Frequency waveform.

<NR3> sets the vertical position in divisions. 0.0 divisions is center, 5.0 is the top of the Waveform View, and -5.0 is the top of the Waveform View.

Examples `DISplay:WAVEview1:RF_MAGnitude2:VERTical:POSition 1.2` sets the vertical position of the Channel 2 Magnitude vs. Time trace to 1.2 divisions.

`DISplay:WAVEview1:RF_MAGnitude1:VERTical:POSition?` might return `DISplay:WAVEview1:RF_MAGnitude1:VERTical:POSition -4.0`, indicating the Channel 1 Magnitude vs. Time vertical position is -4.0 divisions.

DISplay:WAVEView<x>:RF_MAGnitude<x>:VERTical:SCALE

This command sets or queries the vertical scale of the specified Magnitude vs. Time trace in the specified Waveform View in Volts, Watts, or dB per division.

Conditions Requires option SV-RFVT

Group Display

Syntax `DISplay:WAVEview<x>:RF_MAGnitude<x>:VERTical:SCALE <NR3>`
`DISplay:WAVEview<x>:RF_MAGnitude<x>:VERTical:SCALE?`

Arguments `WAVEview<x>` is always `WAVEView1`.

`RF_MAGnitude<x>` specifies the number of the Magnitude vs. Time Frequency waveform.

<NR3> sets the vertical scale. The units for the vertical scale depend on the Magnitude Format setting. If the format is "Amplitude (linear)", then the units are Volts/div. If the format is "Power (linear)", then the units are Watts/div. If the format is "Power (log)", then the units are dB/div.

Examples `DISplay:WAVEview1:RF_MAGnitude3:VERTical:SCALE 5.0` sets the vertical scale of the Channel 3 Magnitude vs. Time trace to 5.0 Volts per division.

`DISplay:WAVEview1:RF_MAGnitude2:VERTical:SCALE?` might return `DISplay:WAVEview1:RF_MAGnitude2:VERTical:SCALE 20.0E-3`, indicating the vertical scale of the Channel 2 Magnitude vs. Time trace is 20 mV per division.

DISplay:WAVEView<x>:RF_PHASE<x>:VERTical:POSition

This command sets or queries the vertical position of the specified Phase vs. Time trace in the Waveform View, in divisions.

Conditions	Requires option SV-RFVT
Group	Display
Syntax	DISplay:WAVEview<x>:RF_PHASE<x>:VERTical:POSition <NR3> DISplay:WAVEview<x>:RF_PHASE<x>:VERTical:POSition?
Arguments	WAVEview<x> is always WAVEView1. RF_PHASE<x> specifies the number of the Phase vs. Time Frequency waveform. <NR3> sets the vertical position in divisions. 0.0 divisions is center, 5.0 is the top of the Waveform View, and -5.0 is the top of the Waveform View.
Examples	DISplay:WAVEview1:RF_PHASE2:VERTical:POSition 2.1 sets the vertical position of the Channel 2 Phase vs. Time trace to 2.1 divisions. DISplay:WAVEview1:RF_PHASE1:VERTical:POSition? might return DISplay:WAVEview1:RF_PHASE1:VERTical:POSition -1.7, indicating the Channel 1 Phase vs. Time vertical position is -1.7 divisions.

DISplay:WAVEView<x>:RF_PHASE<x>:VERTical:SCALE

This command sets or queries the vertical scale of the specified Phase vs. Time trace in the specified Waveform View in degrees per division.

Conditions	Requires option SV-RFVT
Group	Display
Syntax	DISplay:WAVEview<x>:RF_PHASE<x>:VERTical:SCALE <NR3> DISplay:WAVEview<x>:RF_PHASE<x>:VERTical:SCALE?
Arguments	WAVEview<x> is always WAVEView1. RF_PHASE<x> specifies the number of the Phase vs. Time Frequency waveform.

<NR3> sets the vertical scale, in degrees per division.

Examples `DISPlay:WAVEView1:RF_PHASE3:VERTical:SCALE 10.0` sets the vertical scale of the Channel 3 Phase vs. Time trace to 10 degrees per division.

`DISPlay:WAVEView1:RF_PHASE2:VERTical:SCALE?` might return `DISPlay:WAVEView1:RF_PHASE2:VERTical:SCALE 50.0`, indicating the vertical scale of the Channel 2 Phase vs. Time trace is set to 50 degrees per division.

DISPlay:WAVEView<x>:STYLE

This command sets or queries how the waveforms are displayed for analysis mode.

NOTE. *WAVEView<x> is the specified Waveform View and must be WAVEView1.*

Group Display Control

Syntax `DISPlay:WAVEView<x>:STYLE {VECTors|DOTsonly}`
`DISPlay:WAVEView<x>:STYLE?`

Arguments `DOTsonly` displays individual data points. New points immediately replace old ones.

`VECTors` connects adjacent data points. New points immediately replace old ones.

Examples `DISPlay:WAVEView1:STYLE VECTORS` sets the display to connect adjacent data points.

`DISPlay:WAVEView1:STYLE?` might return `:DISPlay:WAVEView1:STYLE DOTsonly`, indicating that data points are not connected.

DISPlay:WAVEView<x>:VIEWStyle

The command sets or queries the waveform layout style used by the display.

NOTE. *WAVEView<x> is the specified Waveform View and must be WAVEView1.*

Group Display Control

Syntax `DISPlay:WAVEView<x>:VIEWStyle {OVERlay|STACKed}`
`DISPlay:WAVEView<x>:VIEWStyle?`

Arguments `OVERlay` specifies that the display view style used by the specified Waveform View is overlay.

`STACKed` specifies that the display view style used by the specified Waveform View is stacked.

Examples `DISPlay:WAVEView1:VIEWStyle OVERLAY` sets the view style to overlay.

`DISPlay:WAVEView1:VIEWStyle?` might return
`:DISPLAY:WAVEVIEW1:VIEWSTYLE STACKED` indicating the view style is stacked.

DISPlay:WAVEView<x>:ZOOM? (Query Only)

This query returns the zoom parameters of the specified Waveform View.

NOTE. *WAVEView<x> is the specified Waveform View and must be WAVEView1.*

Group Zoom

Syntax `DISPlay:WAVEView<x>:ZOOM?`

Returns Returns the zoom parameters of the specified Waveform View.

Examples `DISPlay:WAVEView1:Zoom?` might return
`:DISPLAY:WAVEVIEW1:ZOOM:ZOOM1:HORIZONTAL:SCALE`
`2.5000;POSITION 70.0000;WINSCALE`
`400.0000E-9;:DISPLAY:WAVEVIEW1:ZOOM:ZOOM 1:VERTICAL:SCALE`
`3.8000;POSITION 2.5951;:DISPLAY:WAVEVIEW1:ZOOM:ZOOM1:STATE 0.`

DISPlay:WAVEView<x>:ZOOM:ZOOM<x>? (Query Only)

This query returns the zoom parameters of the specified zoom in the specified Waveform View. `<x>` must be 1.

NOTE. *WAVEView<x> is the specified Waveform View and must be WAVEView1. ZOOM<x> is the specified zoom and must be ZOOM1.*

Group	Zoom
Syntax	DISplay:WAVEView<x>:ZOOM:ZOOM<x>?
Returns	Returns the zoom parameters of the specified zoom in the specified Waveform View.
Examples	DISplay:WAVEView1:ZOOM:ZOOM1? might return :DISPLAY:WAVEVIEW1:ZOOM:ZOOM1:HORIZONTAL:SCALE 2.5000;POSITION 70.0000;WINSCALE 400.0000E-9;:DISPLAY:WAVEVIEW1:ZOOM:ZOOM 1:VERTICAL:SCALE 3.8000;POSITION 2.5951;:DISPLAY:WAVEVIEW1:ZOOM:ZOOM1:STATE 0.

DISplay:WAVEView<x>:ZOOM:ZOOM<x>:HORIZontal:POSition

Sets or queries the horizontal zoom position (of the specified zoom in the specified Waveform View) of the zoomed waveform or zoom waveform in the display, around which the zoom waveform displays. It is freely movable around the acquisition settings (horizontal span). An acquired waveform or reference could extend off screen. The valid zoom area does not care about the waveform itself, only the user setting for acquisition.

For example, if horizontal scale is set to 1 second, position to 50, then the acquisition area will go from -5 s to +5 s. Zoom window 0 will focus on -5 s and zoom area 100 will focus on +5 s. If the instrument is stopped and the scale changed to 0.5 s, there will be data off the ends of the display. However, 0% zoom will put the user focus on -2.5 s, the lower bound of the acquisition span.

NOTE. *WAVEView<x> is the specified Waveform View and must be WAVEView1. ZOOM<x> is the specified zoom and must be ZOOM1.*

Group	Zoom
Syntax	DISplay:WAVEView<x>:ZOOM:ZOOM<x>:HORIZontal:POSition <NR3> DISplay:WAVEView<x>:ZOOM:ZOOM<x>:HORIZontal:POSition?
Arguments	<NR3> is a value from 0 to 100.00 and is the percent of the waveform that is to the left of screen center, when the zoom factor is 2× or greater.

- Examples** `DISPLAY:WAVEVIEW1:ZOOM:ZOOM1:HORIZONTAL:POSITION 50` sets the horizontal position of the zoom box of waveview1 to 50 so that it is centered horizontally on the screen.
- `DISPLAY:WAVEVIEW1:ZOOM:ZOOM1:HORIZONTAL:POSITION?` might return `:DISPLAY:WAVEVIEW1:ZOOM:ZOOM1:HORIZONTAL:POSITION 10.0000`, indicating that the horizontal position of the zoom box of waveview 1 is centered over the first major graticule division.

DISplay:WAVEView<x>:ZOOM:ZOOM<x>:HORizontal:SCALE

This command sets or queries the horizontal zoom factor of the specified zoom in the specified Waveform View.

NOTE. *WAVEView<x>* is the specified Waveform View and must be *WAVEView1*. *ZOOM<x>* is the specified zoom and must be *ZOOM1*.

- Group** Zoom
- Syntax** `DISplay:WAVEview<x>:ZOOM:ZOOM<x>:HORizontal:SCALE <NR3>`
`DISplay:WAVEview<x>:ZOOM:ZOOM<x>:HORizontal:SCALE?`
- Arguments** <NR3> is the amount of expansion in the horizontal direction in 1-2-4 increments of the specified zoom in the specified Waveform View.
- Examples** `DISplay:WAVEview1:ZOOM:ZOOM1:HORizontal:SCALE 5` sets the horizontal zoom factor of zoom1 in waveview1 to 5x.
- `DISplay:WAVEview1:ZOOM:ZOOM1:HORizontal:SCALE?` might return `:DISplay:WAVEview1:ZOOM:ZOOM1:HORizontal:SCALE 10`, indicating that the zoom factor of waveview1 is set to 10x.

DISplay:WAVEView<x>:ZOOM:ZOOM<x>:HORizontal:WINSCALE

This command sets or queries the overview window horizontal scale in the specified Waveform View.

NOTE. *WAVEView<x>* is the specified Waveform View and must be *WAVEView1*. *ZOOM<x>* is the specified zoom and must be *ZOOM1*.

- Group** Zoom

Syntax	<code>DISPlay:WAVEView<x>:ZOOM:ZOOM<x>:HORizontal:WINSCALE <NR3></code> <code>DISPlay:WAVEView<x>:ZOOM:ZOOM<x>:HORizontal:WINSCALE?</code>
Arguments	<NR3> is the horizontal scale of the zoom window.
Examples	<code>DISPlay:WAVEView1:ZOOM:ZOOM1HORizontal:WINSCALE?</code> might return <code>:DISPLAY:WAVEVIEW1:ZOOM:ZOOM1:HORIZONTAL:WINSCALE 80.0000E-9</code> indicating that the horizontal scale of the overview window is 80 ns per division.

DISPlay:WAVEView<x>:ZOOM:ZOOM<x>:STATe

This command sets or queries the zoom display state of the specified zoom in the specified Waveform View. This command is equivalent to pushing the zoom button on the front panel.

NOTE. WAVEView<x> is the specified Waveform View and must be WAVEView1. ZOOM<x> is the specified zoom and must be ZOOM1.

Group	Zoom
Syntax	<code>DISPlay:WAVEView<x>:ZOOM:ZOOM<x>:STATe {ON OFF <NR1>}</code> <code>DISPlay:WAVEView<x>:ZOOM:ZOOM<x>:STATe?</code>
Arguments	ON turns the specified zoom on. OFF turns specified zoom off. <NR1> = 0 disables the specified zoom; any other value enables the specified zoom.
Examples	<code>DISPlay:WAVEView1:ZOOM:ZOOM1:STATe ON</code> turns the specified zoom on. <code>DISPlay:WAVEView1:ZOOM:ZOOM1:STATe?</code> might return <code>:DISPlay:WAVEView1:ZOOM:ZOOM1:STATe 1</code> , indicating that specified zoom is on.

DISPlay:WAVEView<x>:ZOOM:ZOOM<x>:VERTical:POSition

This command sets or queries the vertical position of the specified zoom in the specified Waveform View. It is freely movable within the confines of the acquired waveform. It is measured from the top to bottom of the acquisition window. The top of the zoom window is $-5 * \text{vertical zoom factor}$. The bottom of the

zoom window is $+5 * \text{the vertical zoom factor}$. For a zoom of 5x, the position ranges from -25 to 25.

NOTE. *WAVEView<x> is the specified Waveform View and must be WAVEView1. ZOOM<x> is the specified zoom and must be ZOOM1.*

Group Zoom

Syntax DISPlay:WAVEView<x>:ZOOM:ZOOM<x>:VERTical:POSITION <NR3>
DISPlay:WAVEView<x>:ZOOM:ZOOM<x>:VERTical:POSITION?

Arguments <NR3> is the vertical position of the specified zoom in the specified Waveform View. It is freely movable within the confines of the acquired waveform. The top of the zoom window is $-5 * \text{vertical zoom factor}$. The bottom of the zoom window is $+5 * \text{the vertical zoom factor}$. For a vertical zoom of 5x, the position ranges from -25 to 25.

Examples DISPlay:WAVEView1:ZOOM:ZOOM1:VERTical:POSITION 50 sets the vertical position of the specified zoom in the specified Waveform View to 50, where the vertical zoom factor is 10x, top of screen is -50 and bottom if +50, and 0 is the vertical center.

DISPlay:WAVEView1:ZOOM:ZOOM1:VERTical:POSITION? might return :DISPlay:WAVEView1:ZOOM:ZOOM1:VERTical:POSITION 23.90000, indicating that the vertical position of the specified zoom in the specified Waveform View is set to 23.9, where the vertical zoom factor is 10x, top of screen is -50 and bottom if +50, and 0 is the vertical center.

DISPlay:WAVEView<x>:ZOOM:ZOOM<x>:VERTical:SCALE

This command sets or queries the vertical zoom factor of the specified zoom in the specified Waveform View.

NOTE. *WAVEView<x> is the specified Waveform View and must be WAVEView1. ZOOM<x> is the specified zoom and must be ZOOM1.*

Group Zoom

Syntax DISPlay:WAVEView<x>:ZOOM:ZOOM<x>:VERTical:SCALE <NR3>
DISPlay:WAVEView<x>:ZOOM:ZOOM<x>:VERTical:SCALE?

Arguments <NR3> is the amount of vertical expansion or compression. Based on the value that you entered, this command uses the nearest scale factor. Setting the vertical scale to 1 indicates unity (no zoom).

Examples `DISPlay:WAVEView1:ZOOM:ZOOM2:VERTical:SCALE 5` sets the vertical scale of zoom1 of waveview1 to 5×.

`DISPlay:WAVEView1:ZOOM:ZOOM2:VERTical:SCALE?` might return `:DISPlay:WAVEView1:ZOOM:ZOOM2:VERTical:SCALE 2.0000`, indicating that the vertical scale of zoom1 of waveview1 is 2×.

DISPlay:WAVEView<y>:REF:REF<x>:FRAMe

This command sets or returns the selected frame of the specified analog ref. Each ref has a unique selected frame.

Group Display Control

Syntax `DISPlay:WAVEView<y>:REF:REF<x>:FRAMe <NR1>`
`DISPlay:WAVEView<y>:REF:REF<x>:FRAMe?`

Arguments <NR1> is the selected frame of the specified analog ref.

Examples `DISPlay:WAVEView1:REF:REF2:FRAMe?` might return `:DISPlay:WAVEView1:REF:REF2:FRAMe 1`, indicating the selected frame is 1.

DISPlay:WAVEView<x>:REF<x>_DALL:FRAMe

This command sets or returns the selected frame of the specified digital ref. Each ref has a unique selected frame.

Group Display Control

Syntax `DISPlay:WAVEView<x>:REF<x>_DALL:FRAMe <NR1>`
`DISPlay:WAVEView<x>:REF<x>_DALL:FRAMe?`

Arguments <NR1> is the selected frame of the specified digital ref.

Examples DISPlay:WAVEView<x>:REF<x>_DALL:FRAMe? might return
:DISPLAY:WAVEVIEW1:REF1_DALL:FRAME 1, indicating the selected frame
is 1.

DVM (No Query Form)

Resets the Digital Voltmeter measurements and history.

Conditions Requires DVM option (free with product registration).

Group DVM

Syntax DVM RESET

Arguments RESET specifies resetting DVM measurements and history.

Examples DVM RESET resets the DVM measurement and history.

DVM:AUTORange

Sets (or queries) the autorange state for the Digital Voltmeter.

NOTE. *the DVM will not autorange as long as the DVM source is the same channel as the trigger source.*

Conditions Requires DVM option (free with product registration).

Group DVM

Syntax DVM:AUTORange {0|1|OFF|ON}
DVM:AUTORange?

Arguments ON turns on autorange for the Digital Voltmeter.
OFF turns autorange off.
1 turns on autorange for the Digital Voltmeter.
0 turns autorange off.

Examples DVM:AUTOR ON turns on autorange for the Digital Voltmeter.

DVM:MEASUREMENT:FREQUENCY? (Query Only)

This command returns the current frequency value for the DVM.

Conditions Requires DVM option (free with product registration).

Group DVM

Syntax DVM:MEASUREMENT:FREQUENCY?

Related Commands [DVM:TRIGGER:FREQUENCY:COUNTER](#)

Examples DVM:MEASUREMENT:FREQ? might return 100.0000E+3, which represents 100 kHz as the current frequency value for the DVM.

DVM:MEASUREMENT:HISTORY:AVERAGE? (Query Only)

Returns the average DVM readout value over the history period. The history period is a constant period of 5 seconds.

Conditions Requires DVM option (free with product registration).

Group DVM

Syntax DVM:MEASUREMENT:HISTORY:AVERAGE?

Examples DVM:MEASUREMENT:HISTORY:AVE? might return :DVM:MEASUREMENT:HISTORY:AVERAGE 429.3000E-3 which represents the average DVM readout value over the history period in volts.

DVM:MEASUREMENT:HISTORY:MAXIMUM? (Query Only)

Returns the maximum readout value for the DVM function over the history period. The history period is a constant period of 5 seconds.

Conditions	Requires DVM option (free with product registration).
Group	DVM
Syntax	DVM:MEASUREMENT:HISTORY:MAXIMUM?
Examples	DVM:MEASU:HIS:MAX? might return :DVM:MEASUREMENT:HISTORY:MAXIMUM 431.9000E-3, which represents the maximum readout value for the DVM function over the history period in volts.

DVM:MEASUREMENT:HISTORY:MINIMUM? (Query Only)

Returns the minimum readout value for the DVM over the history period. The history period is a constant period of 5 seconds.

Conditions	Requires DVM option (free with product registration).
Group	DVM
Syntax	DVM:MEASUREMENT:HISTORY:MINIMUM?
Examples	DVM:MEASU:HIS:MINI? might return :DVM:MEASUREMENT:HISTORY:MINIMUM 430.9000E-3, which represents the minimum readout value for the DVM function over the history period in volts.

DVM:MEASUREMENT:INFMAXIMUM? (Query Only)

Returns the maximum DVM readout value over the entire time that the DVM has been on since the last change using the [DVM:MODE](#) or [DVM:SOURCE](#) commands or [DVM RESET](#).

Conditions	Requires DVM option (free with product registration).
Group	DVM
Syntax	DVM:MEASUREMENT:INFMAXIMUM?

Examples DVM:MEASU:INFMAX? might return :DVM:MEASUREMENT:INFMAXIMUM 432.9000E-3, which represents the maximum readout value (in volts) of the DVM function over the entire time that the DVM has been on since the last change using the [DVM:MODE](#) or [DVM:SOURce](#) commands or DVM RESET.

DVM:MEASUREMENT:INFMINIMUM? (Query Only)

Returns the minimum readout value of the DVM over the entire time that the DVM has been on since the last change using the [DVM:MODE](#) or [DVM:SOURce](#) commands or DVM RESET.

Conditions Requires DVM option (free with product registration).

Group DVM

Syntax DVM:MEASUREMENT:INFMINIMUM?

Examples DVM:MEASU:INMIN? might return :DVM:MEASUREMENT:INFMINIMUM 427.3000E-3, which represents the minimum readout value of the DVM function (in volts) over the entire time that the DVM has been on since the last change using the [DVM:MODE](#) or [DVM:SOURce](#) commands or DVM RESET.

DVM:MEASUREMENT:VALUE? (Query Only)

Returns the DVM readout value (the largest displayed value at the top of the DVM screen).

Conditions Requires DVM option (free with product registration).

Group DVM

Syntax DVM:MEASUREMENT:VALUE?

Examples DVM:MEASU:VAL? might return :DVM:MEASUREMENT:VALUE 430.7000E-3, which represents the DVM value.

DVM:MODE

This command specifies (or queries) the mode to use for the Digital Voltmeter.

Conditions	Requires DVM option (free with product registration).
Group	DVM
Syntax	DVM:MODE {ACRMS ACDCRMS DC OFF} DVM:MODE?
Arguments	ACRMS – displays the root-mean-square value of the acquired data, with the DC component removed. ACDCRMS – displays the RMS value of the acquired data. DC – displays the DC value of the acquired data. OFF
Examples	DVM:MODE DC sets the mode for the DVM to DC, which displays the DC value of the acquired data. DVM:MOD? might return ACRMS, which indicates the mode is currently set to ACRMS.

DVM:SOURce

This command sets (or queries) the source for the DVM.

Conditions	Requires DVM option (free with product registration).
Group	DVM
Syntax	DVM:SOURce {CH<x>} DVM:SOURce?
Arguments	CH<x> specify which channel to use as the source for the DVM.
Examples	DVM:SOURCE CH4 sets the DVM source to Channel 4.

DVM:TRIGger:FREQuency:COUNTer

This command sets or queries the state of the trigger frequency counter readout in the trigger badge.

Conditions	Requires DVM option (free with product registration).
Group	DVM
Syntax	DVM:TRIGger:FREQuency:COUNTer {0 1 OFF ON} DVM:TRIGger:FREQuency:COUNTer?
Arguments	ON turns on the trigger frequency counter for the Digital Voltmeter. OFF turns it off. 1 turns on the trigger frequency counter for the Digital Voltmeter. 0 turns it off.
Examples	DVM:TRIGGER:FREQUENCY:COUNTER 0 turns off the counter. DVM:TRIGGER:FREQUENCY:COUNTER? might return :DVM:TRIGGER:FREQUENCY:COUNTER 1 indicating the counter is on.

*ESE

This command sets and queries the bits in the Event Status Enable Register (ESER). The ESER prevents events from being reported to the Status Byte Register (STB). For a more detailed discussion of the use of these registers, see Registers.

Group	Status and Error
Syntax	*ESE <NR1> *ESE?
Related Commands	*CLS DESE *ESR? EVENT?

[EVMsg?](#)

[*SRE](#)

[*STB?](#)

Arguments <NR1> specifies the binary bits of the ESER according to this value, which ranges from 0 through 255.

The power-on default for the ESER is 0 if *PSC is 1. If *PSC is 0, the ESER maintains the previous power cycle value through the current power cycle.

NOTE. *Setting the DESER and the ESER to the same values allows only those codes to be entered into the Event Queue and summarized on the ESB bit (bit 5) of the Status Byte Register. Use the [DESE](#) command to set the DESER.*

Examples *ESE 209 sets the ESER to binary 11010001, which enables the PON, URQ, EXE, and OPC bits.

*ESE? might return 186, showing that the ESER contains [DESE](#) the binary value 10111010.

*ESR? (Query Only)

This query-only command returns the contents of the Standard Event Status Register (SESR). *ESR? also clears the SESR (since reading the SESR clears it). For a more detailed discussion of the use of these registers, see Registers.

Group Status and Error

Syntax *ESR?

Related Commands [ALLEv?](#)

[*CLS](#)

[DESE](#)

[*ESE](#)

[EVENT?](#)

[EVMsg?](#)

[*SRE](#)

[*STB?](#)

Examples *ESR? might return *ESR 213, showing that the SESR contains the binary value 11010101.

ETHERnet:DHCPbootp

This command sets the network configuration method to DHCP (that is ON) or static IP address (that is OFF).

Group Ethernet

Syntax ETHERnet:DHCPbootp {ON|OFF}
ETHERnet:DHCPbootp?

Arguments ON enables the instrument to search the network for a DHCP server in order to automatically assign a dynamic IP address to the instrument.

***NOTE.** Do not use DHCP searching if your instrument has been assigned a static address on a network. If you set this command to ON, the DHCP search will delete or change your static IP address information.*

OFF disables the instrument to search the network for a DHCP server.

Examples ETHERNET:DHCPBOOTP ON sets the instrument to search for a DHCP server and assign a dynamic IP address to the instrument.

ETHERnet:DNS:IPADDRESS

This command specifies the network Domain Name Server (DNS) IP address.

Group Ethernet

Syntax ETHERnet:DNS:IPADDRESS <QString>
ETHERnet:DNS:IPADDRESS?

Arguments <QString> is a standard IP address value, enclosed in quotes.

Examples ETHERNET:DNS:IPADDRESS "128.196.13.252" sets the DNS IP address that the instrument uses to communicate with the network.

ETHERnet:DOMAINname

This command specifies the network domain name.

Group Ethernet

Syntax ETHERnet:DOMAINname <QString>
ETHERnet:DOMAINname?

Arguments <QString> is the network domain name, enclosed in quotes.

Examples ETHERNET:DOMAINNAME "Alpha1.Mycorp.com" sets the domain name that the instrument uses to communicate with the network.

ETHERnet:ENET:ADDRESS? (Query Only)

Returns the Ethernet address (MAC address) value assigned to the instrument. This is assigned at the factory and can not be changed.

Group Ethernet

Syntax ETHERnet:ENET:ADDRESS?

Examples ETHERNET:ENET:ADDRESS? returns an Ethernet address such as 08:00:11:01:02:03

ETHERnet:GATEWay:IPADDRESS

This command specifies the network gateway IP address.

Group Ethernet

Syntax ETHERnet:GATEWay:IPADDRESS <QString>
ETHERnet:GATEWay:IPADDRESS?

Related Commands [ETHERnet:NETWORKCONFig](#)
[ETHERnet:IPADDRESS](#)

[ETHERnet:SUBNETMask](#)

Arguments <QString> is a standard IP address value, enclosed in quotes.

Examples ETHERNET:GATEWAY:IPADDRESS "128.143.16.1" sets the gateway IP address.

ETHERnet:IPADDRESS

This command sets the IP address assigned to the instrument.

Group Ethernet

Syntax ETHERnet:IPADDRESS <QString>
ETHERnet:IPADDRESS?

Related Commands [ETHERnet:NETWORKCONFig](#)
[ETHERnet:SUBNETMask](#)
[ETHERnet:GATEWay:IPADDRESS](#)

Arguments <QString> is a standard IP address value, enclosed in quotes.

Examples ETHERNET:IPADDRESS "123.121.13.214" sets the instrument's IP address.

ETHERnet:LXI:LAN:RESET (No Query Form)

This command resets the LXI local area network.

Group Ethernet

Syntax ETHERnet:LXI:LAN:RESET

Examples ETHERnet:LXI:LAN:RESET resets the LXI local area network.

ETHERnet:LXI:LAN:SERVICENAME

This command sets or queries the service name used for the LXI interface.

Group	Ethernet
Syntax	ETHERnet:LXI:LAN:SERVICENAME <QString> ETHERnet:LXI:LAN:SERVICENAME?
Arguments	<QString> is a quoted string of up to 64 characters that specifies the mDNS service name used for the LXI interface.
Examples	ETHERnet:LXI:LAN:SERVICENAME? might return "Tektronix Oscilloscope MSO5 053CVV"

ETHERnet:LXI:LAN:STATus? (Query Only)

This query returns the LXI network status: one of OK, FAULT, or IDENTIFY. IDENTIFY indicates that the device identify mode is enabled.

Group	Ethernet
Syntax	ETHERnet:LXI:LAN:STATus?
Related Commands	ETHERnet:PING ETHERnet:PING:STATus?
Returns	OK — indicates the network is running and the instrument can “see” the network. FAULT — indicates the network is not visible, or the network settings are incorrect. IDENTIFY indicates that a message is being displayed on the instrument’s front panel indicating which scope the user is currently accessing.
Examples	ETHER:LXI:LAN:STAT? might return FAULT, indicating the network is not visible, or the network settings are incorrect.

ETHERnet:NAME

This command sets or queries the instrument Ethernet hostname assigned to the instrument.

Group	Ethernet
Syntax	ETHERnet:NAME <QString> ETHERnet:NAME?
Arguments	<QString> is the network name assigned to the instrument, enclosed in quotes.
Examples	ETHERNET:NAME "labcopel" sets the instrument's network name.

ETHERnet:NETWORKCONFig

This command specifies the Ethernet network configuration setting.

Group	Ethernet
Syntax	ETHERnet:NETWORKCONFig {AUTOMATIC MANUAL} ETHERnet:NETWORKCONFig?
Related Commands	ETHERnet:NAME ETHERnet:IPADDRESS ETHERnet:SUBNETMASK ETHERnet:GATEWAY:IPADDRESS ETHERnet:DHCPBOOTP
Arguments	AUTOMATIC specifies that the instrument's IP address, subnet mask and gateway settings will be received from a DHCP server on the local network. MANUAL specifies that the Ethernet settings will be configured manually. When setting to manual mode, the following commands must also be specified; ETHERnet:IPADDRESS , ETHERnet:GATEWAY:IPADDRESS , and ETHERnet:SUBNETMASK . All the settings must be sent in a single string in order for the oscilloscope to save the setting. If sending only ETHERnet:NETWORKCONFig MANUAL, the user interface will reset back to auto mode. Since the Apply Changes button in the user interface does not have an

associated command, sending the whole string will be required in order to update the static IP address when using manual network configuration mode.

Examples `ETHERnet:NETWORKCONFig MANUal;:ETHERnet:IPADDRESS "192.168.5.112";:ETHERnet:GATWay:IPADDRESS "192.168.5.1";:ETHERnet:SUBNETMask "255.255.255.0"`
specifies the Ethernet network configuration to manual mode with static assigned IP address, gateway IP address and subnet mask.

`ETHERnet:NETWORKCONFig?` might return `AUTOMATIC`, indicating the settings are being configured automatically.

ETHERnet:PING (No Query Form)

Sends a ping packet to the instrument gateway and sets the status accordingly.

Group Ethernet

Syntax `ETHERnet:PING EXECute`

Examples `ETHERnet:PING EXECute` causes the instrument to ping the gateway IP address.

ETHERnet:PING:STATUS? (Query Only)

Returns the results of sending the [ETHERnet:PING](#) command to ping the gateway IP address.

Group Ethernet

Syntax `ETHERnet:PING:STATUS?`

Returns `OK` is returned if the computer at the gateway IP address answers.

`NORESPONSE` is returned if the computer at the gateway IP address does not answer.

`TRYING` is returned if the ping operation is still executing.

`NEVER` is returned if `ETHERnet:PING EXECute` has not been previously sent, indicating that no ping response has ever been received in response to an `ETHERnet:PING EXECute` command since the instrument was powered on.

ETHERnet:SUBNETMask

This command sets or queries the instrument subnet mask value.

Group Ethernet

Syntax ETHERnet:SUBNETMask <QString>
ETHERnet:SUBNETMask?

Related Commands [ETHERnet:NETWORKCONFig](#)
[ETHERnet:IPADDDress](#)
[ETHERnet:GATEWay:IPADDDress](#)

Arguments <QString> is the subnet mask value, enclosed in quotes.

Examples ETHERNET:SUBNETMASK "255.255.255.0" sets the subnet mask value using standard IP address notation format.

EVENT? (Query Only)

This query-only command returns an event code from the Event Queue that provides information about the results of the last [*ESR?](#) read. EVENT? also removes the returned value from the Event Queue.

Group Status and Error

Syntax EVENT?

Related Commands [ALLEv?](#)
[*CLS](#)
[DESE](#)
[*ESE](#)
[*ESR?](#)
[EVMsg?](#)
[*SRE](#)
[*STB?](#)

Examples EVENT? might return :EVENT 110, showing that there was an error in a command header.

EVMsg? (Query Only)

This query-only command removes a single event code from the Event Queue that is associated with the results of the last *ESR? read and returns the event code with an explanatory message. For more information, see Event Handling.

Group Status and Error

Syntax EVMsg?

Related Commands ALLEv?
*CLS
DESE
*ESE
*ESR?
EVENT?
*SRE
*STB?

Returns The event code and message in the following format:

```
<Event Code><Comma><QString>[<Event Code><Comma><QString>...]<QString>::= <Message>;[<Command>]
```

where <Command> is the command that caused the error and may be returned when a command error is detected by the instrument. As much of the command will be returned as possible without exceeding the 60 character limit of the <Message> and <Command> string combined. The command string is right-justified.

Examples EVMSG? might return :EVMSG 110,"Command header error".

EVQty? (Query Only)

This query-only command returns the number of events that are enabled in the queue. This is useful when using the [ALLEv?](#) query, since it lets you know exactly how many events will be returned.

Group Status and Error

Syntax EVQty?

Related Commands [ALLEv?](#)
[EVENT?](#)
[EVMsg?](#)

Examples EVQTY? might return :EVQTY 3, indicating the number of event codes in the Event Queue.

EYEMASK:MASK<x>:COUNT:HITS? (Query Only)

This command returns the total number of hit violations for all segments in the specified mask test.

Conditions Requires option 5-DJA or 6-DJA (Advanced Jitter Analysis).

Group Mask

Syntax EYEMASK:MASK<x>:COUNT:HITS?

Related Commands [PLOT:PLOT<x>:MASK?](#)

Arguments MASK<x> is the number of the specified mask test in an eye diagram plot.

Examples EYEMASK:MASK2:COUNT:HITS? might return 211, indicating that mask 2 has a total of 211 violations for all segments in the mask.

EYEMASK:MASK<x>:COUNT:SEG<y>:HITS? (Query Only)

This command returns the number of hit violations for the specified segment (area).

Conditions Requires option 5-DJA or 6-DJA (Advanced Jitter Analysis).

Group Mask

Syntax EYEMASK:MASK<x>:COUNT:SEG<y>:HITS?

Related Commands [PLOT:PLOT<x>:MASK?](#)

Arguments MASK<x> is the number of the specified mask test (or mask test plot?).
SEG<y> is the number of the mask segment for which to return hit violations data.

Returns Returns an integer number representing the number of mask test violations for the specified mask test and mask segment.

Examples EYEMASK:MASK1:COUNT:SEG3:HITS? might return 435, indicating that segment 3 of mask test 1 has 435 hit violations.

EYEMASK:MASK<x>:CREATOR? (Query Only)

This query-only command returns the name of the eye diagram plot that created the mask.

Conditions Requires option 5-DJA or 6-DJA (Advanced Jitter Analysis).

Group Mask

Syntax EYEMASK:MASK<x>:CREATOR?

Related Commands [PLOT:PLOT<x>:MASK?](#)

Arguments MASK<x> is the number of the specified mask test (or mask test plot?).

Returns <QString> is a quoted string that contains the name of the eye diagram plot associated with the specified mask.

Examples EYEMASK:MASK4:CREATOR? might return "plot2".

EYEMASK:MASK<x>:ENAbled

This command enables or disables eye mask testing in the specified plot.

Conditions Requires option 5-DJA or 6-DJA (Advanced Jitter Analysis).

Group Mask

Syntax EYEMASK:MASK<x>:ENAbled {ON|OFF}
EYEMASK:MASK<x>:ENAbled?

Related Commands [PLOT:PLOT<x>:MASK?](#)

Arguments MASK<x> is the number of the specified mask plot.
ON enables the eye mask test.
OFF disables the eye mask test.

Returns Returns an integer number representing enabled (1) or disabled (0).

Examples EYEMASK:MASK4:ENAbled ON enables the eye mask test in the specified mask plot.
EYEMASK:MASK2:ENAbled? might return 0, indicating that mask testing is disabled in the specified mask plot.

EYEMASK:MASK<x>:MASKfile

This command sets or queries the current mask definition file name for the specified mask test.

Conditions Requires option 5-DJA or 6-DJA (Advanced Jitter Analysis).

Group	Mask
Syntax	EYEMASK:MASK<x>:MASKfile <QString> EYEMASK:MASK<x>:MASKfile?
Related Commands	PLOT:PLOT<x>:MASK?
Arguments	<p><x> is the number of the specified mask test (or mask test plot?).</p> <p><QString> is a quoted string that defines the file path that specifies the location of the mask file to use, in the format '[<path>]<filename.ext>'. Specifying a path is optional. If no path is entered, the instrument will search in the current working directory as set in FILESystem:CWD.</p> <ul style="list-style-type: none"> ■ If the file argument begins with a file path separator (forward slash character) or a drive designator such as C:, then the file name is interpreted as a full path. ■ If the file argument begins with "." or ".." or has a file path separator appearing anywhere other than the first character position, then the file name is treated as a path that is relative to the current working directory.
Examples	<p>EYEMASK:MASK1:MASKfile "/C:/Applications/Masks/SerialRapidIO/RIO Serial 2_5G.msk" sets mask1 to use the RIO serial 2.5G mask file at the specified location</p> <p>EYEMASK:MASK4:MASKfile? might return "/media/C:/Applications/Masks/1394b/S400b T1.msk"</p>

EYEMASK:MASK<x>:MASKOffset:HORizontal:AUTOfit? (Query Only)

This command returns the mask offset value in the specified mask in seconds. The mask test number is specified by <x>

Conditions	Requires option 5-DJA or 6-DJA (Advanced Jitter Analysis).
Group	Mask
Syntax	EYEMASK:MASK<x>:MASKOffset:HORizontal:AUTOfit?
Related Commands	PLOT:PLOT<x>:MASK?

Examples EYEMASK:MASK2:MASKoffset:HORizontal:AUTOfit? might return
:EYEMASK:MASK2:MASKoffset:HORizontal:AUTOfit 12e-12, indicating
that mask autofit moved mask 2 by 12 ps

EYEMASK:MASK<x>:TEST:SAMple:THReshold

This command sets or queries the total number of hit violations that will cause a mask test failure.

Conditions Requires option 5-DJA or 6-DJA (Advanced Jitter Analysis).

Group Mask

Syntax EYEMASK:MASK<x>:TEST:SAMple:THReshold <NR1>
EYEMASK:MASK<x>:TEST:SAMple:THReshold?

Related Commands [PLOT:PLOT<x>:MASK?](#)

Arguments MASK<x> is the number of the specified mask test (or mask test plot?).
<NR1> is a positive integer indicating the number of mask hits required to cause a fail condition for that mask test.

Examples EYEMASK:MASK1:TEST:SAMple:THReshold 15 sets the specified mask test to fail if 15 or more mask violations occur.

EYEMASK:MASK3:TEST:SAMple:THReshold? might return 20, indicating that the specified mask test is set to fail if 20 or more mask violations occur.

EYEMASK:MASK<x>:TEST:STATUS? (Query Only)

This query-only command returns the mask hit test status.

Conditions Requires option 5-DJA or 6-DJA (Advanced Jitter Analysis).

Group Mask

Syntax EYEMASK:MASK<x>:TEST:STATUS?

Related Commands [PLOT:PLOT<x>:MASK?](#)

Arguments MASK<x> is the number of the specified mask test (or mask test plot?).

Returns This command returns a string with the mask test status. Valid status strings are:

- PASS. The number of mask hits is less than the target fail threshold.
- FAIL. The number of mask hits is greater than or equal to the target fail threshold.
- OFF. Mask testing disabled on the specified mask plot.

Examples EYEMASK:MASK2:TEST:STATUS? might return Fail, indicating that mask testing has failed in the specified mask plot.

FACTory (No Query Form)

This command (no query form) resets the instrument to its factory default settings. This command is equivalent to pressing the DEFAULT SETUP button located on the instrument front panel or selecting Default Setup from the File menu.

This command Performs the following in addition to what is done for the *RST command:

- Clears any pending OPC operations.
- Resets the following IEEE488.2 registers:
 - *ESE0 (Event Status Enable Register)
 - *SRE 0 (Service Request Enable Register)
 - DESE255 (Device Event Status Enable Register)
 - *PSC1 (Power-on Status Clear Flag)
- Deletes all defined aliases.
- Enables command headers (:HEADer 1).

Group Save and Recall

Syntax FACTory

Related Commands	*PSC RECALL:SETUp *RST
Arguments	None
Examples	FACTORY resets the instrument to its factory default settings.

FILESystem? (Query Only)

This query-only command returns the directory listing of the current working directory. This query is the same as the FILESystem:DIR? query.

Group	File System
Syntax	FILESystem?
Related Commands	FILESystem:COPy FILESystem:CWD FILESystem:DELEte FILESystem:DIR? FILESystem:READFile FILESystem:REName FILESystem:WRITEFile
Arguments	None.
Examples	FILESYSTEM? might return :FILESYSTEM:DIR "myFile.txt", "mywaveform.wfm".

FILESystem:COPy (No Query Form)

This command (no query form) copies a named file to a new file. The new file might be in a totally separate directory than the old file. You can only copy one file at a time using this command. Wild card characters are not allowed.

Group	File System
Syntax	FILESystem:COpy {<source_file_path>, <destination_file_path>}
Related Commands	FILESystem:CWD FILESystem:DELEte
Arguments	<p><source_file_path> is a quoted string that defines the file name and path or directory. If the file path is within the current working directory, you need only specify the file name.</p> <p><destination_file_path> is a quoted string that defines the file name and path. If the file path is within the current working directory, you need only specify the file name.</p>
Examples	<pre>FILESYSTEM:COpy "E:/setup1.set", "E:/SETUPS/setup1.set" copies the file named setup1.set, on the E drive to a file named setup1.set in the SETUPS directory on the E drive.</pre> <pre>:FILESystem:CWD "E:/SETUPS"</pre> <pre>:FILESystem:COpy ".", "I:/Archive/SETUPS"</pre> <pre>:FILESystem:COpy "../ch1.isf", "I:/SavedWfms/ch1_new.isf"</pre>

FILESystem:CWD

This command sets or queries the current working directory. CWD is short for Current Working Directory. It changes the directory (folder) that the other FILESystem commands operate on.

NOTE. *There are three host ports on the front panel (E:, F:, and G:), and two on the back panel (H: and I:).*

Group	File System
Syntax	FILESystem:CWD <QString> FILESystem:CWD?
Arguments	<QString> is a quoted string that defines the current working; a directory name can be up to 128 characters.

- Examples** `FILESYSTEM:CWD "E:/waveforms/"` changes the current working directory to a folder named "waveforms" on the USB flash drive installed in the "E:" USB Host port.
- `FILESYSTEM:CWD?` might return `:FILESYSTEM:CWD "E:/"` Indicates the current working directory is the root folder of the E: USB flash drive port.

FILESystem:DELEte (No Query Form)

This command (no query form) deletes a named file or directory from a mass storage device. Once removed, the data in that file or directory can no longer be accessed. If the specified file is a directory, it must be empty before it can be deleted.

Group File System

Syntax `FILESystem:DELEte <file_path>`

Related Commands [FILESystem:COpy](#)
[FILESystem:CWD](#)
[FILESystem:RMDir](#)

Arguments `<file_path>` is a quoted string that defines the file name and path. If the file path is within the current working directory, you need only specify the file name.

Examples `FILESYSTEM:DELETE "NOT_MINE.SET"` deletes the file named NOT_MINE.SET from the folder referred to by the `FILESYSTEM:CWD`[FILESystem:CWD](#) command.

FILESystem:DIR? (Query Only)

This query-only command returns a comma separated list of quoted strings. Each string contains the name of a file or directory in the folder referred to by the `FILESYSTEM:CWD`[FILESystem:CWD](#) command.

Group File System

Syntax `FILESystem:DIR?`

Related Commands [FILESystem:CWD](#)
[FILESystem:MKDir](#)

Arguments None

Examples FILESYSTEM:DIR? might return :FILESYSTEM:DIR
 "161012_132039_000.wfm","161012_132039_001.wfm","161220_191452.png",
 "161220_191554.csv","170320_132925_000.wfm","170320_132929_000.set",
 "Ch2-Ch3_000.set","E:","F:","G:","H:","I:","J:","Rgjtest_000.set",
 "RgjSetupRuntTrig4chnl
 s_000.set","RgjSetup_000.set","ScrnShot1jeh2_000.wfm","ScrnShot1jeh_000.wfm",
 "ScrnShot_000.png","ScrnShot_000.wfm","Scrn
 _000.set","Scrn_001.set","Scrn_002.set","Scrn_003.set","Scrn_004.set",
 "Wfm_000.wfm","Wfm_001.wfm","Wfm_002.wfm","Wfm_003
 .wfm","Wfm_004.wfm","Wfm_005.wfm","Wfm_006.wfm","digChans_000.wfm".

FILESystem:HOMEDir? (Query Only)

This query returns the current user's home directory.

Group File System

Syntax FILESystem:HOMEDir?

Returns The current user's home directory as a quoted string.

Examples FILESYSTEM:HOMEDIR? might return: "C:".

FILESystem:LDIR? (Query Only)

Returns a comma separated list of every file, file size, type, modification date and time, and directory in the folder referred to by the FILESYSTEM:CWD[FILESystem:CWD](#) command. This is different than the :DIR query in that it provides a long output format with the file size, type, and modification date/time. Each entry is a semicolon separated list: < file name>;<type>;<size in bytes>;<date>;<time>

Group File System

Syntax	FILESystem:LDIR?
Returns	A comma separated list of every file, file size, type, modification date and time, and directory in the folder referred to by the FILESystem:CWD command.
Examples	FILESYSTEM:LDIR? might return "tek0000CH1.isf;FILE;20342;2009-05-21;13:58:24", "TEMP;DIR;4096;2009-09-15;06:20:44".

FILESystem:MKDir (No Query Form)

This command (no query form) creates a new directory.

Group	File System
Syntax	FILESystem:MKDir <directory_path>
Related Commands	FILESystem:CWD FILESystem:DIR?
Arguments	<directory_path> is a quoted string that specifies the directory to create.
Examples	<p>FILESYSTEM:MKDIR "E:\NewDirectory" creates the directory named <i>NewDirectory</i> at the root of the E drive.</p> <p>These two commands create the directory MyNewSubDirectory within the existing directory MyDirectory at the root of the E drive:</p> <pre>FILESYSTEM:CWD "E:/MyDirectory"; FILESYSTEM:MKDIR "MyNewSubDirectory"</pre>

FILESystem:MOUNT:DRIVE

The command form mounts a network drive specified by the quoted string argument. The quoted string argument is a semicolon separated list of the following fields:

- Drive name - The drive name to be mounted. It is a case insensitive single letter followed by a colon. The drive name must be a letter between 'L:' and 'Z:', inclusive.
- Server identity - The server identity is the DNS name of the server or the IP address of the server.
- Path - The path to be mounted (e.g. /level1/level2/mydirectory).
- User name - The user name for the drive.
- User password - The password for the drive.
- Domain name - The domain/workgroup of the target mount.
- Verbose - The verbose option to capture mount failure messages.

Domain name, user name, user password, and verbose are optional and are only used for mounts requiring SMB/CIFS interworking (MS Windows and MacOS).

The query form returns a 0 or 1 to indicate that the drive name (quoted string) is currently mounted or not. A return of 1 indicates the drive is mounted. A return of 0 indicated the drive is not mounted.

Group	File System
Syntax	<code>FILESystem:MOUNT:DRIVE <QString></code> <code>FILESystem:MOUNT:DRIVE? <QString></code>
Examples	<code>FILESYSTEM:MOUNT:DRIVE "L:;000.000.0.0;/level1/level2/mydir"</code> specifies to mount the L: drive using the drive name, server identity, and path. <code>FILESYSTEM:MOUNT:DRIVE? "L:"</code> might return 0, indicating the L: drive is not mounted.

FILESystem:MOUNT:TEKDrive

This command mounts the TekDrive specified by the quoted string arguments. The argument must contain the drive name, AutoDisconnectMode, RestrictToCurrentIP, and AutoDisconnectTime.

The drive name is the TekDrive name to be mounted. It is case insensitive.

There are three options available for AutoDisconnectMode:

- Select Power Cycle to unmount the TekDrive after power cycling the oscilloscope. There is no time restriction when this option is selected
- Select Never to mount the TekDrive connection permanently.
- Select Custom to disconnect the TekDrive after a chosen duration. The default selection is Power Cycle.

RestrictToCurrentIP restricts the connection to current network IP only. This may be used for additional network security.

AutoDisconnectTime is the required time for the Auto Disconnect. The TekDrive gets disconnected automatically from the instrument after the specified time. The duration is in hours. The minimum is 0.25 hours and the maximum is 744 hours.

The query form of this command returns whether or not the specified TekDrive is mounted.

Group	File System
Syntax	FILESystem:MOUNT:TEKDrive <QString> FILESystem:MOUNT:TEKDrive?
Arguments	<QString> provides the information needed to mount the TekDrive and must have the drive name, AutoDisconnectMode, RestrictToCurrentIP, and AutoDisconnectTime.
Returns	This command returns a 1 or 0. 1 indicates that the specified drive is mounted. 0 indicates the specified drive is not mounted.
Examples	FILESystem:MOUNT:TEKDrive "TekDrive1;Custom>true;8" specifies to mount TekDrive1, auto disconnect it after 8 hours, and restrict the connection to current network IP only. FILESYSyTEM:MOUNT:DRIVE? "TekDrive1" might return 1, indicating TekDrive1 is mounted.

FILESystem:READFile (No Query Form)

This command writes the contents of the specified file to the current interface. If the specified file does not exist or is not readable, an appropriate error event is posted.

Group File System

Syntax `FILESystem:READFile <QString>`

Related Commands [FILESystem:CWD](#)

Arguments `<QString>` is a quoted string that defines the file name and path. If the file path is within the current working directory, you need only specify the file name.

Examples `FILESYSTEM:READFILE "E:/test_data/tek00016CH1.csv"` reads the content of the specified file, if the file exists and is readable, and sends the content of the file to the current interface.

FILESystem:REName (No Query Form)

This command (no query form) assigns a new name to an existing file or folder.

Group File System

Syntax `FILESystem:REName <old_file_path>,<new_file_path>`

Related Commands [FILESystem:CWD](#)

Arguments `<old_file_path>,<new_file_path>` is a quoted string that defines the file or folder name and path. If the path is within the current working directory, you need only specify the file or folder name.

Examples `FILESYSTEM:RENAME "E:/TEK00000.SET", "E:/MYSETTING.SET"` gives the file named TEK00000.SET the new name of MYSETTING.SET. The file remains in the root directory on the E drive.

`FILESYSTEM:RENAME "e:/mySettings/tek00000.set", "e:/setup1.set"`. This example illustrates how to move a file from one folder to another.

FILESystem:RMDir (No Query Form)

This command (no query form) deletes a named directory. The directory must be empty.

Group File System

Syntax FILESystem:RMDir <directory_path>

Related Commands [FILESystem:CWD](#)

Arguments <directory_path> is a quoted string that defines the folder name and path. If the folder path is within the current working directory, you need only specify the folder name.

Examples FILESYSTEM:RMDIR "E:/OldDirectory" removes the directory named OldDirectory from the root of the E drive.

FILESystem:TEKDrive:CODE? (Query Only)

This command returns short code in string format. This code must be entered (or pasted) at <http://drive.tekcloud.com/activate>. After the code is entered click the **Activate** button to complete the mounting of the TekDrive.

Group File System

Syntax FILESystem:TEKDrive:CODE?

Examples FILESYSTEM:TEKDRIVE:CODE? might return "xYxrr", indicating the code string xYxrr needs to be entered at <http://drive.tekcloud.com/activate> and activated.

FILESystem:TEKDrive:CODE:EXPIRYTIME? (Query Only)

This command returns expiry time of short code. It is the absolute time that the expiry command returns. For example, if 2:11 pm is the time the user initiated the TekDrive mounting, then the expiry query returns + 5 minutes (2:16 pm).

Group File System

Syntax FILESystem:TEKDrive:CODE:EXPIRYTIME?

Examples FILESYSTEM:TEKDRIVE:CODE:EXPIRYTIME? might return "Wed Nov 11 17:29:44 2020".

FILESystem:TEKDrive:CODE:STATUS? (Query Only)

This command returns status of short code.

Group	File System
Syntax	FILESystem:TEKDrive:CODE:STATUS?
Returns	<p>Success indicates the operation was successful.</p> <p>AccessDenied indicates it is unable to process the request as permission was denied.</p> <p>Invalid indicates the operation was invalid.</p> <p>Unknown indicates it is unable to process the request due to an unknown error.</p> <p>Pending indicates it is able to generate the code.</p> <p>NetworkNotFound indicates it is unable to connect to internet.</p> <p>UserCancelled indicates the operation was cancelled by user.</p>
Examples	FILESYSTEM:TEKDRIVE:CODE:STATUS? might return Pending, indicating it is able to generate the code.

FILESystem:UNMOUNT:DRIVE (No Query Form)

This command unmounts the USB drive specified by the quoted string argument.

Group	File System
Syntax	FILESystem:UNMOUNT:DRIVE <QString>
Related Commands	
Arguments	<QString> is a quoted string that specifies which USB drive to unmount. String is a case insensitive single letter followed by a colon.
Examples	FILESYSTEM:UNMOUNT:DRIVE "G:" specifies to unmount the flash drive installed in the right-most USB slot on the front of the instrument.

FILESystem:UNMOUNT:TEKDrive (No Query Form)

This command unmounts the TekDrive specified by the quoted string argument and the drive name is case insensitive.

Group File System

Syntax FILESystem:UNMOUNT:TEKDrive <QString>

Related Commands

Arguments <QString> specifies the TekDrive to unmount.

Examples FILESystem:UNMOUNT:TEKDrive "TekDrive1" specifies to unmount the TekDrive named "TekDrive1".

FILESystem:WRITEFile (No Query Form)

This command (no query form) writes the specified block data to the specified file on the instruments file system. If the destination file cannot be written, an error event is posted.

Group File System

Syntax FILESystem:WRITEFile <file_path>,<data>

Related Commands [FILESystem:CWD](#)

Arguments <file_path>,<data> is a quoted string that defines the file name and path and the block data to be written. If the file path is within the current working directory, you need only specify the file name.

FPAnel:PRESS (No Query Form)

This command is used to emulate a button press. When used with knob enumerations, this command pushes the knob. Use the [FPAnel:TURN](#) command to emulate knob turns.

Group Miscellaneous

Syntax `FPAnel:PRESS {AUTOset| BUS| CH<x>| CLEAR| CURSor| DEFauLtsetup| FASTAcq| FORCetrig| GPKNOB1| GPKNOB2| HIGHRES| HORZPOS| HORZScale| MATH| NEXt| PREV| REF| RUNSTop| SETTO50| SINGlEseq| TOUCHSCREEN| TRIGMode| TRIGSlOpe| USER| VERTPOS| VERTSCALE| ZOOM}`

Arguments

AUTOset emulates a Autoset button press.

BUS emulates a Bus button press.

CH<x> emulates a Channel button press. The channel number is specified by x.

CLEAR emulates a Clear button press.

CURSor emulates a Cursor button press.

DEFauLtsetup emulates a Default Setup button press.

FASTAcq emulates a Fast Acq button press.

FORCetrig emulates a Force trigger button press.

GPKNOB1 emulates a Multipurpose A knob press.

GPKNOB2 emulates a Multipurpose B knob press.

HIGHRES emulates a High Res button press.

HORZPOS emulates a Horizontal knob press.

HORZScale emulates a Horizontal Scale knob press.

MATH emulates a Math button press.

NEXt emulates a Next button press.

PREV emulates a Previous button press.

REF emulates a Ref button press.

RUNSTop emulates a Run/Stop button press.

SETTO50 emulates a Set to 50% threshold button press.

SINGlEseq emulates a Single/Seq button press.

TOUCHSCREEN emulates a Touch Screen button press.

TRIGMode emulates a Trigger Mode button press.

TRIGSlOpe emulates a Trigger Slope button press.

USER emulates a User button press.

VERTPOS emulates a Vertical Position knob press.

VERTSCALE emulates a Vertical Scale knob press.

ZOOM emulates a Zoom button press.

Examples `FPANEL:PRESS FORCETRIG` emulates pressing the Force trigger button.

FPAnel:TURN

This command is used to emulate a knob turn. The optional NR1 specifies the number of clicks where negative values indicate counter clockwise. If not specified, the default of 1 click is used indicating the knob is turned clockwise 1 click.

Group Miscellaneous

Syntax `FPAnel:TURN {GPKNOB1|GPKNOB2|HORZPOS|HORZScale|PANKNOB|TRIGLevel|VERTPOS|VERTSCALE|ZOOM} [, <NR1>]`

Arguments

- GPKNOB1 emulates a Multipurpose A knob turn.
- GPKNOB2 emulates a Multipurpose B knob turn.
- HORZPOS emulates a Horizontal knob turn.
- HORZScale emulates a Horizontal Scale knob turn.
- PANKNOB emulates a Pan knob turn.
- TRIGLevel emulates a Trigger Level knob turn.
- VERTPOS emulates a Vertical Position knob turn.
- VERTSCALE emulates a Vertical Scale knob turn.
- ZOOM emulates a Zoom knob turn.
- <NR1> is the number of clicks to turn the knob.

Examples `FPANEL:TURN TRIGLEVEL ,3` emulates turning the trigger Level knob 3 clicks in the clockwise direction.

HEADer

This command sets or queries the Response Header Enable State that causes the instrument to either include or omit headers on query responses.

NOTE. *This command does not affect IEEE Std 488.2-1987 Common Commands (those starting with an asterisk); these commands never return headers.*

Whether the long or short form of header keywords and enumerations are returned is dependent upon the state of :VERBose.

Group Miscellaneous

Syntax HEADER {<NR1>|OFF|ON}
HEADer?

Related Commands [VERBose](#)

Arguments <NR1> = 0 sets the Response Header Enable State to false; any other value sets this state to true.

OFF sets the Response Header Enable State to false. This causes the instrument to omit headers on query responses, so that only the argument is returned.

ON sets the Response Header Enable State to true. This causes the instrument to include headers on applicable query responses. You can then use the query response as a command.

Examples HEADER OFF specifies that the instrument omits headers on query responses, so that only the argument is returned.

HEADer? might return :HEADER 1, indicating that the instrument is including headers on applicable query responses.

With :VERBose ON and :HEADer ON, the :ACQuire:MODE? query might return: :ACQUIRE:MODE SAMPLE.

With :VERBose OFF and :HEADer ON, the :ACQuire:MODE? query might return: :ACQ:MOD SAM

With :VERBose ON and :HEADer OFF, the :ACQuire:MODE? query might return: SAMPLE

With :VERBose OFF and :HEADer OFF, the :ACQuire:MODE? query might return: SAM

HISTogram:ADDNew (No Query Form)

This command adds the specified waveform histogram.

Group Histogram

Syntax	HISTogram:ADDNew <QString>
Arguments	<QString> specifies the waveform histogram to add. The argument is of the form "HIST<NR1>", where NR1 is a number value ≥ 1 .
Examples	HISTogram:ADDNew "HIST7" adds waveform histogram 7.

HISTogram:DELeTe (No Query Form)

This command deletes the specified histogram.

Group	Histogram
Syntax	HISTogram:DELeTe <QString>
Arguments	<QString> specifies the waveform histogram to delete. The argument is of the form "HIST<NR1>", where NR1 is a number value ≥ 1 .
Examples	HISTogram:DELETE "HIST4" deletes histogram 4.

HISTogram:DELETEALL (No Query Form)

This command deletes all the active instances of histograms defined in the scope application.

Group	Histogram
Syntax	HISTogram:DELETEALL
Examples	HISTogram:DELETEALL deletes all the active instances of histograms.

HISTogram:HISTogram<x>:BOX

This command sets or queries the top, left, bottom and right positions of the histogram box in source waveform coordinates. The argument is of the form <top>,<left>,<bottom>,<right>.

Group	Histogram
Syntax	HISTogram:HISTogram<x>:BOX <NR3>, <NR3>, <NR3>, <NR3> HISTogram:HISTogram<x>:BOX?
Arguments	HISTogram<x> specifies the histogram number. <NR3> specifies four position values, separated by commas. The values are the top, left, bottom, and right coordinates in that order.
Examples	HISTogram:HISTogram2:BOX 250.00E-3, -50.0E-9, -250.00E-3, 50.0E-9 sets the box coordinates of histogram 2 to 250 mV on the top, -50 ns on the left, -250 mV on the bottom, and 50 ns on the right. HISTogram:HISTogram2:BOX? might return :HISTogram:HISTogram2:BOX 250.00E-3, -50.0E-9, -250.00E-3, 50.0E-9, indicating the box coordinates are 250 mV on the top, -50 ns on the left, -250 mV on the bottom, and 50 ns on the right.

HISTogram:HISTogram<x>:BState

This command sets or queries whether the histogram badge is displayed.

Group	Histogram
Syntax	HISTogram:HISTogram<x>:BState {ON OFF} HISTogram:HISTogram<x>:BState?
Arguments	HISTogram<x> specifies the histogram number. ON enables the histogram badge display. OFF disables the histogram badge display.
Examples	HISTogram:HISTogram2:BState ON enables the badge display for histogram 2. HISTogram:HISTogram2:BState? might return :HISTogram:HISTogram2:BState OFF, indicating the badge display for histogram 2 is disabled.

HISTogram:HISTogram<x>:DATA? (Query Only)

This query only command returns a comma separated list of numbers representing the histogram bin data.

Group	Histogram
Syntax	HISTogram:HISTogram<x>:DATA?
Returns	Returns a comma separated list of the histogram bin data. HISTogram<x> specifies the histogram number.
Examples	HISTogram:HISTogram2:DATA? might return :HISTogram2:DATA 332.224000E+3, 337.415000E+3, 337.415000E+3, 337.415000E+3,166.112000E+3, listing the histogram bin data.

HISTogram:HISTogram<x>:DISPlay

This command sets or queries the histogram scaling display setting.

Group	Histogram
Syntax	HISTogram:HISTogram<x>:DISPlay {LINEAR LOG} HISTogram:HISTogram<x>:DISPlay?
Arguments	HISTogram<x> specifies the histogram number. LINEAR sets the histogram scaling to linear mode. LOG sets the histogram scaling to logarithmic mode.
Examples	HISTogram:HISTogram2:DISPlay LOG sets the scaling display mode for histogram 2 to logarithmic mode. HISTogram:HISTogram2:DISPlay? might return :HISTogram:HISTogram2:DISPlay LINEAR, indicating the display mode for histogram 2 is linear mode.

HISTogram:HISTogram<x>:FUNction

This command sets or queries the histogram mode.

Group	Histogram
Syntax	HISTogram:HISTogram<x>:FUNction {HORizontal VERTical} HISTogram:HISTogram<x>:FUNction?
Arguments	HISTogram<x> specifies the histogram number. HORizontal sets the histogram mode to horizontal. VERTical sets the histogram mode to vertical.
Examples	HISTogram:HISTogram2:FUNction VERTical sets the histogram mode for histogram 2 to Vertical. HISTogram:HISTogram2:FUNction? might return :HISTogram:HISTogram2:FUNction HORIZONTAL, indicating the function for histogram 2 is Horizontal.

HISTogram:HISTogram<x>:MEASurement:COUNT

This command sets or queries whether the waveform count measurement is enabled on the histogram.

Group	Histogram
Syntax	HISTogram:HISTogram<x>:MEASurement:COUNT {ON OFF} HISTogram:HISTogram<x>:MEASurement:COUNT?
Arguments	HISTogram<x> specifies the histogram number. ON enables the waveform count measurement. OFF disables the waveform count measurement.
Examples	HISTogram:HISTogram2:MEASurement:COUNT ON enables the waveform count measurement for histogram 2. HISTogram:HISTogram2:MEASurement:COUNT? might return :HISTogram:HISTogram2:MEASurement:COUNT OFF, indicating the waveform count measurement for histogram 2 is disabled.

HISTogram:HISTogram<x>:MEASurement:HITS

This command sets or queries whether the Hits in Box measurement is enabled on the histogram.

Group	Histogram
Syntax	HISTogram:HISTogram<x>:MEASurement:HITS {ON OFF} HISTogram:HISTogram<x>:MEASurement:HITS?
Arguments	HISTogram<x> specifies the histogram number. ON enables the Hits in Box measurement. OFF disables the Hits in Box measurement.
Examples	HISTogram:HISTogram2:MEASurement:HITS ON enables the Hits in Box measurement for histogram 2. HISTogram:HISTogram2:MEASurement:HITS? might return :HISTogram:HISTogram2:MEASurement:HITS OFF, indicating the Hits in Box measurement for histogram 2 is disabled.

HISTogram:HISTogram<x>:MEASurement:MAX

This command sets or queries whether the Max measurement is enabled on the histogram.

Group	Histogram
Syntax	HISTogram:HISTogram<x>:MEASurement:MAX {ON OFF} HISTogram:HISTogram<x>:MEASurement:MAX?
Arguments	HISTogram<x> specifies the histogram number. ON enables the Max measurement. OFF disables the Max measurement.
Examples	HISTogram:HISTogram2:MEASurement:MAX ON enables the Max measurement for histogram 2.

HISTogram:HISTogram2:MEASurement:MAX? might return
:HISTogram:HISTogram2:MEASurement:MAX OFF, indicating the Max
measurement for histogram 2 is disabled.

HISTogram:HISTogram<x>:MEASurement:MEAN

This command sets or queries whether the Mean measurement is enabled on
the histogram.

Group Histogram

Syntax HISTogram:HISTogram<x>:MEASurement:MEAN {ON|OFF}
HISTogram:HISTogram<x>:MEASurement:MEAN?

Arguments HISTogram<x> specifies the histogram number.
ON enables the Mean measurement.
OFF disables the Mean measurement.

Examples HISTogram:HISTogram2:MEASurement:MEAN ON enables the Mean
measurement for histogram 2.
HISTogram:HISTogram2:MEASurement:MEAN? might return
:HISTogram:HISTogram2:MEASurement:MEAN OFF, indicating the Mean
measurement for histogram 2 is disabled.

HISTogram:HISTogram<x>:MEASurement:MEDian

This command sets or queries whether the Median measurement is enabled on
the histogram.

Group Histogram

Syntax HISTogram:HISTogram<x>:MEASurement:MEDian {ON|OFF}
HISTogram:HISTogram<x>:MEASurement:MEDian?

Arguments HISTogram<x> specifies the histogram number.
ON enables the Median measurement.
OFF disables the Median measurement.

Examples HISTogram:HISTogram2:MEASurement:MEdian ON enables the Median measurement for histogram 2.

HISTogram:HISTogram2:MEASurement:MEdian? might return :HISTogram:HISTogram2:MEASurement:MEdian OFF, indicating the Median measurement for histogram 2 is disabled.

HISTogram:HISTogram<x>:MEASurement:MIN

This command sets or queries whether the Min measurement is enabled on the histogram.

Group Histogram

Syntax HISTogram:HISTogram<x>:MEASurement:MIN {ON|OFF}
HISTogram:HISTogram<x>:MEASurement:MIN?

Arguments HISTogram<x> specifies the histogram number.

ON enables the Min measurement.

OFF disables the Min measurement.

Examples HISTogram:HISTogram2:MEASurement:MIN ON enables the Min measurement for histogram 2.

HISTogram:HISTogram2:MEASurement:MIN? might return :HISTogram:HISTogram2:MEASurement:MIN OFF, indicating the Min measurement for histogram 2 is disabled.

HISTogram:HISTogram<x>:MEASurement:MODE

This command sets or queries whether the Mode measurement is enabled on the histogram.

Group Histogram

Syntax HISTogram:HISTogram<x>:MEASurement:MODE {ON|OFF}
HISTogram:HISTogram<x>:MEASurement:MODE?

Arguments HISTogram<x> specifies the histogram number.

ON enables the Mode measurement.

OFF disables the Mode measurement.

Examples HISTogram:HISTogram2:MEASurement:MODE ON enables the Mode measurement for histogram 2.

HISTogram:HISTogram2:MEASurement:MODE? might return :HISTogram:HISTogram2:MEASurement:MODE OFF, indicating the Mode measurement for histogram 2 is disabled.

HISTogram:HISTogram<x>:MEASurement:ONESigma

This command sets or queries whether the $\mu \pm 1\sigma$ measurement is enabled on the histogram.

Group Histogram

Syntax HISTogram:HISTogram<x>:MEASurement:ONESigma {ON|OFF}
HISTogram:HISTogram<x>:MEASurement:ONESigma?

Arguments HISTogram<x> specifies the histogram number.

ON enables the $\mu \pm 1\sigma$ measurement.

OFF disables the $\mu \pm 1\sigma$ measurement.

Examples HISTogram:HISTogram2:MEASurement:ONESigma ON enables the $\mu \pm 1\sigma$ measurement for histogram 2.

HISTogram:HISTogram2:MEASurement:ONESigma? might return :HISTogram:HISTogram2:MEASurement:ONESigma OFF, indicating the $\mu \pm 1\sigma$ measurement for histogram 2 is disabled.

HISTogram:HISTogram<x>:MEASurement:PHITS

This command sets or queries whether the Peak Hits measurement is enabled on the histogram.

Group Histogram

Syntax HISTogram:HISTogram<x>:MEASurement:PHITS {ON|OFF}
HISTogram:HISTogram<x>:MEASurement:PHITS?

Arguments	<p>HISTogram<x> specifies the histogram number.</p> <p>ON enables the Peak Hits measurement.</p> <p>OFF disables the Peak Hits measurement.</p>
Examples	<p>HISTogram:HISTogram2:MEASurement:PHITS ON enables the Peak Hits measurement for histogram 2.</p> <p>HISTogram:HISTogram2:MEASurement:PHITS? might return :HISTogram:HISTogram2:MEASurement:PHITS OFF, indicating the Peak Hits measurement for histogram 2 is disabled.</p>

HISTogram:HISTogram<x>:MEASurement:PK2PK

This command sets or queries whether the Peak-to-peak measurement is enabled on the histogram.

Group	Histogram
Syntax	<p>HISTogram:HISTogram<x>:MEASurement:PK2PK {ON OFF}</p> <p>HISTogram:HISTogram<x>:MEASurement:PK2PK?</p>
Arguments	<p>HISTogram<x> specifies the histogram number.</p> <p>ON enables the Peak-to-peak measurement.</p> <p>OFF disables the Peak-to-peak measurement.</p>
Examples	<p>HISTogram:HISTogram2:MEASurement:PK2PK ON enables the Peak-to-peak measurement for histogram 2.</p> <p>HISTogram:HISTogram2:MEASurement:PK2PK? might return :HISTogram:HISTogram2:MEASurement:PK2PK OFF, indicating the Peak-to-peak measurement for histogram 2 is disabled.</p>

HISTogram:HISTogram<x>:MEASurement:RESULTS? (Query Only)

This query only command returns the measurement results from the specified histogram. The argument must be in the form of {argument 1},{argument 2},{argument 3}. Argument 1 specifies which histogram measurement to return results for. Argument 2 specifies which acquisitions to return measurement results for. Argument 3 specifies which statistic to return measurement results for.

Group	Histogram
Syntax	HISTogram:HISTogram<x>:MEASurement:RESUlts? {COUNT HITS MAX MIN PK2PK MODE MEAN MEDi an PHITS STDDev ONESigma TWOSigma THRSigma},{ALLAcqs CURRentacq HISTory},{MAXimum MEAN MINimum PK2PK POPUlation STDDev}
Arguments	<p>HISTogram<x> specifies the histogram number.</p> <p>COUNT specifies the Count as the histogram measurement to return results for.</p> <p>HITS specifies the Hits as the histogram measurement to return results for.</p> <p>MAX specifies the Max as the histogram measurement to return results for.</p> <p>MIN specifies the Min as the histogram measurement to return results for.</p> <p>PK2PK specifies the Peak-to-peak as the histogram measurement or statistic to return results for.</p> <p>MODE specifies the Mode as the histogram measurement to return results for.</p> <p>MEAN specifies the Mean as the histogram measurement or statistic to return results for.</p> <p>MEDi an specifies the Median as the histogram measurement to return results for.</p> <p>PHITS specifies the Peak Hits as the histogram measurement to return results for.</p> <p>STDDev specifies the Standard Deviation as the histogram measurement or statistic to return results for.</p> <p>ONESigma specifies the $\mu \pm 1\sigma$ as the histogram measurement to return results for.</p> <p>TWOSigma specifies the $\mu \pm 2\sigma$ as the histogram measurement to return results for.</p> <p>THRSigma specifies the $\mu \pm 3\sigma$ as the histogram measurement to return results for.</p> <p>ALLAcqs specifies the All Acquisitions as the acquisitions to return results for.</p> <p>CURRentacq specifies the Current Acquisitions as the acquisitions to return results for.</p> <p>HISTory specifies the History as the acquisitions to return results for.</p> <p>MAXimum specifies the Maximum as the statistic to return results for.</p> <p>MINimum specifies the Minimum as the statistic to return results for.</p> <p>POPUlation specifies the Population as the statistic to return results for.</p>
Returns	Returns results in the form of {histogram measurement results},{acquisition results},{statistic results}.

Examples HISTogram:HISTogram2:MEASurement:RESUlts?
 COUNT,ALLAcqs,MEAN might return
 :HISTogram:HISTogram2:MEASurement:RESUlts COUN,ALLA,MEAN,1.0.

HISTogram:HISTogram<x>:MEASurement:STDDev

This command sets or queries whether the Standard Deviation measurement is enabled on the histogram.

Group Histogram

Syntax HISTogram:HISTogram<x>:MEASurement:STDDev {ON|OFF}
 HISTogram:HISTogram<x>:MEASurement:STDDev?

Arguments HISTogram<x> specifies the histogram number.
 ON enables the Standard Deviation measurement.
 OFF disables the Standard Deviation measurement.

Examples HISTogram:HISTogram2:MEASurement:STDDev ON enables the Standard Deviation measurement for histogram 2.
 HISTogram:HISTogram2:MEASurement:STDDev? might return
 :HISTogram:HISTogram2:MEASurement:STDDev OFF, indicating the Standard Deviation measurement for histogram 2 is disabled.

HISTogram:HISTogram<x>:MEASurement:THRSigma

This command sets or queries whether the $\mu \pm 3\sigma$ measurement is enabled on the histogram.

Group Histogram

Syntax HISTogram:HISTogram<x>:MEASurement:THRSigma {ON|OFF}
 HISTogram:HISTogram<x>:MEASurement:THRSigma?

Arguments HISTogram<x> specifies the histogram number.
 ON enables the $\mu \pm 3\sigma$ measurement.
 OFF disables the $\mu \pm 3\sigma$ measurement.

- Examples** HISTogram:HISTogram2:MEASurement:THRSigma ON enables the $\mu\pm 3\sigma$ measurement for histogram 2.
- HISTogram:HISTogram2:MEASurement:THRSigma? might return :HISTogram:HISTogram2:MEASurement:THRSigma OFF, indicating the $\mu\pm 3\sigma$ measurement for histogram 2 is disabled.

HISTogram:HISTogram<x>:MEASurement:TWOSigma

This command sets or queries whether the $\mu\pm 2\sigma$ measurement is enabled on the histogram.

- Group** Histogram
- Syntax** HISTogram:HISTogram<x>:MEASurement:TWOSigma {ON|OFF}
HISTogram:HISTogram<x>:MEASurement:TWOSigma?
- Arguments** HISTogram<x> specifies the histogram number.
- ON enables the $\mu\pm 2\sigma$ measurement.
- OFF disables the $\mu\pm 2\sigma$ measurement.
- Examples** HISTogram:HISTogram2:MEASurement:TWOSigma ON enables the $\mu\pm 2\sigma$ measurement for histogram 2.
- HISTogram:HISTogram2:MEASurement:TWOSigma? might return :HISTogram:HISTogram2:MEASurement:TWOSigma OFF, indicating the $\mu\pm 2\sigma$ measurement for histogram 2 is disabled.

HISTogram:HISTogram<x>:SAVe (No Query Form)

This command saves the specified histograms data as a comma separated list of values.

- Group** Histogram
- Syntax** HISTogram:HISTogram<x>:SAVe <QString>
- Arguments** HISTogram<x> specifies the histogram number.
- <QString> is the file path to save the .csv file to.

Examples HISTogram:HISTogram2:SAVe
 "C:/Users/Tek_Local_Admin/Documents/hist2.csv" saves the histogram 2 data to the specified location.

HISTogram:HISTogram<x>:SIZE

This command sets or queries the height or width of the specified histogram bins in divisions. This size can be larger than the box, which allows you to view the histogram bins easily.

Group Histogram

Syntax HISTogram:HISTogram<x>:SIZE <NR3>
 HISTogram:HISTogram<x>:SIZE?

Arguments HISTogram<x> specifies the histogram number.
 <NR3> specifies the number of divisions to set the height or width of the histogram bins to.

Examples HISTogram:HISTogram2:SIZE 2.5 sets the height or width for the bins of histogram 2 to 2.5 divisions.
 HISTogram:HISTogram2:SIZE? might return
 :HISTogram:HISTogram2:SIZE 7.0, indicating the height or width for the bins of histogram 2 is 7 divisions.

HISTogram:HISTogram<x>:SOURCE

This command sets or queries which source waveform will be compared against the histogram box when the histogram testing is enabled.

Group Histogram

Syntax HISTogram:HISTogram<x>:SOURCE {CH<x>|MATH<x>|REF<x>}
 HISTogram:HISTogram<x>:SOURCE?

Arguments HISTogram<x> specifies the histogram number.
 CH<x> specifies an analog channel as source.
 MATH<x> specifies a math channel as source.

REF<x> specifies a reference waveform as the source.

Examples HISTogram:HISTogram2:SOURce CH3 sets the histogram source to channel 3.
HISTogram:HISTogram2:SOURce? might return
:HISTogram:HISTogram2:SOURce CH2, indicating the histogram source is channel 2.

HISTogram:HISTogram<x>:STATE

This command sets or queries whether histogram calculations are enabled for the specified histogram.

Group Histogram

Syntax HISTogram:HISTogram<x>:STATE {ON|OFF}
HISTogram:HISTogram<x>:STATE?

Arguments HISTogram<x> specifies the histogram number.
ON enables the histogram calculations.
OFF disables the histogram calculations.

Examples HISTogram:HISTogram2:STATE ON enables calculations for histogram 2.
HISTogram:HISTogram2:STATE? might return
:HISTogram:HISTogram2:STATE OFF, indicating the calculations for histogram 2 are disabled.

HISTogram:HISTogram<x>:TRANsparency

This command sets or queries the transparency of the histogram bins.

Group Histogram

Syntax HISTogram:HISTogram<x>:TRANsparency <NR3>
HISTogram:HISTogram<x>:TRANsparency?

Arguments HISTogram<x> specifies the histogram number.
 <NR3> specifies the transparency as a percentage, with a minimum of 0 and a maximum of 100.

Examples HISTogram:HISTogram2:TRANsparency 50 sets the transparency for histogram 2 to 50%.

HISTogram:HISTogram2:TRANsparency? might return :HISTogram:HISTogram2:TRANsparency 70, indicating the transparency of histogram 2 is 70%.

HISTogram:LIST? (Query Only)

This query returns a comma separated list of all currently defined histograms.

Group Histogram

Syntax HISTogram:LIST?

Returns Returns a comma separated list of all currently defined histograms.

Examples HISTogram:LIST? might return :HISTogram:LIST HIST1,HIST2 ,HIST3 ,HIST4, indicating 4 histograms are defined.

HORizontal? (Query Only)

Queries the current horizontal settings.

Group Horizontal

Syntax HORizontal?

Examples HORIZONTAL? might return :HORIZONTAL:SAMPLERATE 6.2500E+9;SAMPLERATE:ANALYZEMODE:MINIMUM:VALUE AUTOMATIC;OVERRIDE 1;;HORIZONTAL:MODE AUTO;MODE:AUTOMATIC:FASTACQ:RECORDLENGTH:MAXIMUM:ZOOMOVERRIDE 1;VALUE 1250;;HORIZONTAL:MODE:MANUAL:CONFIGURE HORIZONTALSCALE;;HORIZONTAL:MAIN:UNITS S;;HORIZONTAL:DIVISIONS 10;RECORDLENGTH 62500;DELAY:TIME

```
0.0E+0;MODE 1;:HORIZONTAL:POSITION 50.0000;SCALE
1.0000E-6;ACQDURATION 10.0000E-6.
```

HORizontal:ACQDURATION? (Query Only)

This query returns the timebase duration.

Group	Horizontal
Syntax	HORizontal:ACQDURATION?
Returns	<NR3> returns the duration of the acquisition.
Examples	HORIZONTAL:ACQDURATION? might return :HORIZONTAL:ACQDURATION 5.0E-9, indicating the acquisition duration is 5.0 us.

HORizontal:DELay:MODE

This command sets or queries the horizontal delay mode.

Group	Horizontal
Syntax	HORizontal:DELay:MODE {OFF ON <NR1>} HORizontal:DELay:MODE?
Related Commands	HORizontal:POSition
Arguments	<p>OFF sets the Horizontal Delay Mode to off. This causes the HORizontal:POSition command to operate like the HORIZONTAL POSITION knob on the front panel.</p> <p>ON sets the Horizontal Delay Mode to on. This causes the HORizontal:DELay:TIME command to operate like the HORIZONTAL POSITION knob on the front panel.</p> <p><NR1> = 0 sets the Horizontal Delay Mode to off; any other value sets this mode to on.</p>
Examples	HORIZONTAL:DELAY:MODE OFF sets the Horizontal Delay Mode to off, allowing the horizontal position command to operate like the HORIZONTAL POSITION knob on the front panel.

`HORIZONTAL:DELAY:MODE?` might return `HORIZONTAL:DELAY:MODE OFF` indicating that the Horizontal Delay Mode is off and that the horizontal position command operates like the `HORIZONTAL POSITION` knob on the front panel.

HORizontal:DELay:TIME

This command sets or queries the horizontal delay time that is used when delay mode is on.

Group Horizontal

Syntax `HORizontal:DELay:TIME <NR3>`
`HORizontal:DELay:TIME?`

Related Commands `HORizontal:POSition`

Arguments `<NR3>` is the delay in seconds.

Examples `HORizontal:DELay:TIME 0.3` sets the delay of acquisition data so that the resulting waveform is centered 300 ms after the trigger occurs.

HORizontal:DIVisions? (Query Only)

This query-only command returns the number of graticule divisions.

Group Horizontal

Syntax `HORizontal:DIVisions?`

Examples `HORIZONTAL:DIVISIONS?` might return `:HORIZONTAL:DIVISIONS 10.0000`, indicating that the waveform is displayed across ten divisions.

HORizontal:FASTframe? (Query Only)

This query returns all information under `horizontal:fastframe`.

Group Horizontal

Syntax `HORizontal:FASTframe?`

Examples `HORIZONTAL:FASTFRAME?` might return
:`HORIZONTAL:FASTFRAME:SELECTED 1;SUMFRAME:STATE`
`0;:HORIZONTAL:FASTFRAME:COUNT 2;MULTIPLEFRAMES:MODE`
`OFF;:HORIZONTAL:FASTFRAME:STATE 0;REF:INCLUDE 0;FRAME 1`, the
current FastFrame settings.

HORizontal:FASTframe:COUNT

This command sets or returns the number of frames.

Group Horizontal

Syntax `HORizontal:FASTframe:COUNT <NR1>`
`HORizontal:FASTframe:COUNT?`

Arguments `<NR1>` is the number of frames.

Examples `:HORizontal:FASTframe:COUNT 10` sets the number of frames to be acquired to 10. If this is beyond the maximum number of frames, the value will be constrained. For example, if 8 is the current maximum (based on record length) 8 will be set instead of 10.

HORizontal:FASTframe:MAXFRames? (Query Only)

This query returns the maximum number of frames.

Group Horizontal

Syntax `HORizontal:FASTframe:MAXFRames?`

Examples `HORIZONTAL:FASTFRAME:MAXFRAMES?` might return
:`HORIZONTAL:FASTFRAME:MAXFRAMES 2`, indicating the maximum number
of frames is 2.

HORizontal:FASTframe:MULtipleframes:MODE

This command sets or returns the overlay display type.

Group	Horizontal
Syntax	HORizontal:FASTframe:MULtipleframes:MODE {OFF OVERlay} HORizontal:FASTframe:MULtipleframes:MODE?
Arguments	OFF specifies only displaying the selected frame. OVERlay specifies overlaying all frames with the temperature palette. The summary frame is not included in the overlay. The selected frame is drawn in blue on top of all other frames.
Examples	:HORizontal:FASTframe:MULtipleframes:MODE OVERlay will cause the entire acquired set of frames to be rendered in a single image, similar to how FastAcq appears. The currently selected frame is drawn on top in blue.

HORizontal:FASTframe:REF:FRAMe

This command sets or returns the reference frame number.

Group	Horizontal
Syntax	HORizontal:FASTframe:REF:FRAMe <NR1> HORizontal:FASTframe:REF:FRAMe?
Arguments	<NR1> is the reference frame number.
Examples	HORIZONTAL:FASTFRAME:REF:FRAME? might return :HORIZONTAL:FASTFRAME:REF:FRAME 1, indicating the reference frame number is 1.

HORizontal:FASTframe:REF:INCLUde

This command sets or returns whether the reference frame delta information is shown in the display.

Group	Horizontal
Syntax	<code>HORizontal:FASTframe:REF:INCLUDE {<NR1> OFF ON}</code> <code>HORizontal:FASTframe:REF:INCLUDE?</code>
Arguments	ON displays the delta information. OFF does not display the delta information. <NR1> a 0 indicates the delta information is off; any other value displays the delta information.

HORizontal:FASTframe:SELECTED

This command sets or returns the selected frame number for acquired frames. Refs have their own selected frames.

Group	Horizontal
Syntax	<code>HORizontal:FASTframe:SELECTED <NR1></code> <code>HORizontal:FASTframe:SELECTED?</code>
Arguments	<NR1> is the selected frame number for acquired frames.
Examples	<code>HORIZONTAL:FASTFRAME:SELECTED?</code> might return <code>:HORIZONTAL:FASTFRAME:SELECTED 1</code> , indicating the selected frame number is 1.

HORizontal:FASTframe:STATE

This command sets or returns the state of FastFrame. Acquisition modes Envelope and Average are not compatible with FastFrame. If FastFrame is on, an attempted set to those acquisition modes will fail and revert to Sample mode. If FastFrame is turned on while in one of those acquisition modes, the acquisition mode is changed to Sample.

Group	Horizontal
Syntax	<code>HORizontal:FASTframe:STATE {<NR1> OFF ON}</code> <code>HORizontal:FASTframe:STATE?</code>

Arguments ON indicates FastFrame is active.
 OFF indicates that FastFrame is off.
 <NR1> A 0 turns off FastFrame; any other value activates FastFrame.

Examples HORIZONTAL:FASTFRAME:STATE? might return
 :HORIZONTAL:FASTFRAME:STATE 0, indicating FastFrame is off.

HORizontal:FASTframe:SUMFrame

This command sets or returns the summary frame type. Turning on Summary Frame does not adjust the numberFrames value as long as there is room for an additional frame. If there is not enough room then numberFrames will be reduced by 1. The numberFrames value is always the number of frames to acquire.

Group Horizontal

Syntax HORIZONTAL:FASTframe:SUMFrame {NONE|AVERAGE|ENVELOPE}
 HORIZONTAL:FASTframe:SUMFrame

Arguments NONE sets the Summary frame to off.
 AVERAGE sets the Summary frame to average of all acquired frames.
 ENVELOPE sets the Summary frame to envelope of all acquired frames.

Examples HORIZONTAL:FASTFRAME:SUMFRAME might return
 :HORIZONTAL:FASTFRAME:SUMFRAME NONE, indicating the summary frame is off.

HORizontal:FASTframe:SUMFrame:STATE

This command sets or returns the state of FastFrame summary frame. Summary frame mode is set automatically based on the acquisition mode. When in Sample mode, the summary frame type is set to Average. When in Peak Detect mode, the summary frame type is set to Envelope. When in High Res mode, the summary frame type is set to Average.

Group Horizontal

Syntax `HORizontal:FASTframe:SUMFrame:STATE {<NR1>|OFF|ON}`
`HORizontal:FASTframe:SUMFrame:STATE?`

Arguments `ON` indicates summary frame is active.
`OFF` indicates that summary frame is off.
`<NR1>` a 0 turns off summary frame; any other value activates the summary frame.

Examples `HORIZONTAL:FASTFRAME:SUMFRAME:STATE?` might return
`:HORIZONTAL:FASTFRAME:SUMFRAME:STATE 0`, indicating the summary
frame is off.

HORizontal:FASTframe:TIMESTAMP:ALL? (Query Only)

This query-only command returns the time stamp of all frames. The format is (Frame #: TimeStamp, Frame #: TimeStamp, and so on). Each time-stamp string is of the form `DD.MM.YYYY.HH:MM::SS.xxxxxxxxxxxxxx`.

Group Horizontal

Syntax `HORizontal:FASTframe:TIMESTAMP:ALL?`

Returns Returns all of the timestamps.

Examples `HORIZONTAL:FASTFRAME:TIMESTAMP:ALL?` might
return `:HORIZONTAL:FASTFRAME:TIMESTAMP:ALL "1:`
`31.12.1969.16:00:00.000000000000"`, indicating the only time

HORizontal:FASTframe:TIMESTAMP:DELTA? (Query Only)

This query returns the time difference between the Selected and Reference time-stamps.

Group Horizontal

Syntax `HORizontal:FASTframe:TIMESTAMP:DELTA?`

Returns Return value is in seconds and fraction of a second.

Examples `HORIZONTAL:FASTFRAME:TIMESTAMP:DELTA?` might return
`:HORIZONTAL:FASTFRAME:TIMESTAMP:DELTA "0.000000000000"`
 indicating the time difference is 0.0 seconds.

HORizontal:FASTframe:TIMEStamp:REFerence? (Query Only)

This query returns the time-stamp of the FastFrame Reference frame.

Group Horizontal

Syntax `HORizontal:FASTframe:TIMEStamp:REFerence?`

Examples `HORIZONTAL:FASTFRAME:TIMESTAMP:REFERENCE?` might
 return `:HORIZONTAL:FASTFRAME:TIMESTAMP:REFERENCE`
`"31.12.1969.17:00:00.000000000000"` indicating the reference timestamp
 is 31.12.1969.17:00:00.000000000000.

HORizontal:FASTframe:TIMEStamp:SELECTED? (Query Only)

This query returns the time-stamp of the FastFrame Selected acquired frame.

Group Horizontal

Syntax `HORizontal:FASTframe:TIMEStamp:SELECTED?`

Examples `HORIZONTAL:FASTFRAME:TIMESTAMP:SELECTED?` might
 return `:HORIZONTAL:FASTFRAME:TIMESTAMP:SELECTED`
`"31.12.1969.17:00:00.000000000000"` indicating the timestamp of the
 selected frame is 31.12.1969.17:00:00.000000000000.

HORizontal:FASTframe:XZErO:ALL? (Query Only)

This query-only command returns the sub-sample time between the trigger sample (designated by `PT_OFF`) and the occurrence of the actual trigger for the waveform specified by the `DATa:SOUrce` command for all frames. This value is in units of `WFMOutpre:XUNit`. The format is a string of the form (frame #:zxero, frame #:zxero, and so on).

Group Horizontal

- Syntax** `HORizontal:FASTframe:XZero:ALL?`
- Returns** This returns the XZERO values for all of the frames.
- Examples** `HORIZONTAL:FASTFRAME:XZERO:ALL?` might return
 `:HORIZONTAL:FASTFRAME:XZERO:ALL "1: 1.6000E-10"`, indicating the
 time between the trigger sample and the actual trigger.

HORizontal:FASTframe:XZero:REF? (Query Only)

This query-only command returns the sub-sample time between the trigger sample (designated by PT_OFF) and the occurrence of the actual trigger for the waveform specified by the DATA:SOURCE command for the reference frame. This value is in units of WFMOutpre:XUNit.

- Group** Horizontal
- Syntax** `HORizontal:FASTframe:XZero:REF?`
- Examples** `HORIZONTAL:FASTFRAME:XZERO:REF?` might return
 `:HORIZONTAL:FASTFRAME:XZERO:REF 1.0` indicating the sub-sample time
 is 1.0.

HORizontal:FASTframe:XZero:SELECTED? (Query Only)

This query-only command returns the sub-sample time between the trigger sample (designated by PT_OFF) and the occurrence of the actual trigger for the waveform specified by the DATA:SOURCE command for the selected frame. This value is in units of WFMOutpre:XUNit.

- Group** Horizontal
- Syntax** `HORizontal:FASTframe:XZero:SELECTED?`
- Examples** `HORIZONTAL:FASTFRAME:XZERO:SELECTED?` might return
 `:HORIZONTAL:FASTFRAME:XZERO:SELECTED 1.0` indicating the sub-sample
 time is 1.0.

HORizontal:HISTory:CSTats

This command sets or returns the history cumulative statistics type. When in All Acquisitions mode, statistics and plots reflect all acquisitions since the scope began acquiring. This may include results from acquisitions that go further back in time than those captured in history. When in History Only mode, statistics and plots only include acquisitions in history. The cumulative statistics type is set to All Acquisitions by default.

Group	Horizontal
Syntax	<code>HORizontal:HISTory:CSTats {AACQS HONLy}</code> <code>HORizontal:HISTory:CSTats?</code>
Arguments	AACQS sets the history cumulative statistics type to all acquisitions. HONLy sets the history cumulative statistics type to history only.
Examples	<code>HORIZONTAL:HISTORY:CSTATS HONLy</code> sets the history cumulative statistics type to history only. <code>HORIZONTAL:HISTORY:CSTATS?</code> might return <code>:HORIZONTAL:HISTORY:CSTATS AACQS</code> , indicating the history cumulative statistics type is set to all acquisitions.

HORizontal:HISTory:OVERlay

This command sets or returns whether all acquisitions in history are overlaid in the waveform view.

Group	Horizontal
Syntax	<code>HORizontal:HISTory:OVERlay {ON OFF}</code> <code>HORizontal:HISTory:OVERlay?</code>
Arguments	ON overlays all acquisitions in history in the waveform view. OFF only shows the current acquisition in the waveform view.
Examples	<code>HORIZONTAL:HISTORY:OVERLAY ON</code> sets all acquisitions in history to be overlaid in the waveform view.

`HORIZONTAL:HISTORY:OVERLAY?` might return
`:HORIZONTAL:HISTORY:OVERLAY OFF`, indicating that only the current acquisition is shown in the waveform view.

HORizontal:HISTory:REF:ACQ

This command sets or queries the reference acquisition in History. By default this is the first acquisition in History.

Group Horizontal

Syntax `HORizontal:HISTory:REF:ACQ <NR1>`
`HORizontal:HISTory:REF:ACQ?`

Arguments `<NR1>` is the acquisition number to set. Must be between 1 and the total number of acquisitions in History.

Examples `HORIZONTAL:HISTORY:REF:ACQ 1` selects the first acquisition in History.
`HORIZONTAL:HISTORY:REF:ACQ?` might return
`:HORIZONTAL:HISTORY:REF:ACQ 1`, indicating the first acquisition in History is selected.

HORizontal:HISTory:REF:INCLude

This command sets or returns whether the history reference acquisition is included in the user interface history badge or not.

Group Horizontal

Syntax `HORizontal:HISTory:REF:INCLude {ON|OFF}`
`HORizontal:HISTory:REF:INCLude?`

Arguments `ON` includes the reference acquisition.
`OFF` does not include the reference acquisition.

Examples `HORIZONTAL:HISTORY:REF:INCLUDE OFF` does not include the reference acquisition.

`HORIZONTAL:HISTORY:REF:INCLUDE?` might return
`:HORIZONTAL:HISTORY:REF:INCLUDE OFF`, indicating the reference
acquisition is not included in the badge.

HORizontal:HISTory:SElected

This command sets or queries the selected acquisition in History. By default this is the most recent acquisition in History.

Group	Horizontal
Syntax	<code>HORizontal:HISTory:SElected <NR1></code> <code>HORizontal:HISTory:SElected?</code>
Arguments	<NR1> is the acquisition number to set. Must be between 1 and the total number of acquisitions in History.
Examples	<code>HORIZONTAL:HISTORY:SELECTED 1</code> selects the first acquisition in History <code>HORIZONTAL:HISTORY:SELECTED?</code> might return <code>:HORIZONTAL:HISTORY:SELECTED 1</code> , indicating the first acquisition in History is selected.

HORizontal:HISTory:STATe

This command sets or returns the state of History. Acquisition modes Peak Detect, Envelope and Average are not compatible with History. If History is on, an attempted set to those acquisition modes will fail and revert to Sample mode. If History is turned on while in one of those acquisition modes, the acquisition mode is changed to Sample.

Group	Horizontal
Syntax	<code>HORizontal:HISTory:STATe {OFF ON 1 0}</code> <code>HORizontal:HISTory:STATe?</code>
Arguments	ON enables History. OFF disables History. 1 enables History.

0 disables History; any other number value turns this feature on.

Examples `HORIZONTAL:HISTORY:STATE 1` enables History.
`HORIZONTAL:HISTORY:STATE?` might return `:HORIZONTAL:HISTORY:STATE 0`, indicating History is off.

HORizontal:HISTory:TIMEStamp:DELTA? (Query Only)

This query-only command returns the difference between the timestamps of the history reference acquisition and the history selected acquisition.

Group Horizontal

Syntax `HORizontal:HISTory:TIMEStamp:DELTA?`

Returns Return value is in seconds and fraction of a second.

Examples `HORIZONTAL:HISTORY:TIMESTAMP:DELTA?` might return `:HORIZONTAL:HISTORY:TIMESTAMP:DELTA "0.326483333120"`, indicating the timestamp delta is 0.326483333120.

HORizontal:HISTory:TIMEStamp:REFerence? (Query Only)

This query-only command returns the timestamp of the history reference acquisition.

Group Horizontal

Syntax `HORizontal:HISTory:TIMEStamp:REFerence?`

Examples `HORIZONTAL:HISTORY:TIMESTAMP:REFERENCE?` might return `:HORIZONTAL:HISTORY:TIMESTAMP:REFERENCE "08.09.2021.05:56:00.250715955200"`, indicating the timestamp of the reference acquisition is 08.09.2021.05:56:00.250715955200.

HORizontal:HISTory:TIMEStamp:SELECTED? (Query Only)

This query-only command returns the timestamp of the history selected acquisition.

Group Horizontal

Syntax HORizontal:HISTory:TIMEStamp:SELECTED?

Examples HORIZONTAL:HISTORY:TIMESTAMP:SELECTED? might return :HORIZONTAL:HISTORY:TIMESTAMP:SELECTED "08.09.2021.05:56:00.250715955200", indicating the timestamp of the history selected acquisition is 08.09.2021.05:56:00.250715955200.

HORizontal:MAIn:INTERPRatio? (Query Only)

This query-only command returns the Horizontal interpolation ratio.

Group Horizontal

Syntax HORizontal:MAIn:INTERPRatio?

Examples HORIZONTAL:MAIN:INTERPRATIO? might return :HORIZONTAL:MAIN:INTERPRATIO 10.0.

HORizontal:MODE

This command set or queries the horizontal operating mode.

Group Horizontal

Syntax HORizontal:MODE {AUTO|MANua1}
HORizontal:MODE?

Related Commands [HORizontal:MODE:RECOrdlength](#)
[HORizontal:MODE:SAMPLERate](#)
[HORizontal:MODE:SCALE](#)

- Arguments** AUTO selects the automatic horizontal model. Auto mode automatically adjusts the sample rate and record length to provide a high acquisition rate in Fast Acq or signal fidelity in analysis. Record length is read only.
- MANUAL selects the manual horizontal model. Manual mode lets you change the sample rate, horizontal scale, and record length. These values interact. For example, when you change record length then the horizontal scale also changes.
- Examples** HORIZONTAL:MODE AUTO sets the horizontal mode to auto.
- HORIZONTAL:MODE? might return :HORIZONTAL:MODE MANUAL, indicating that the horizontal mode is manual.

HORIZONTAL:MODE:AUTOMATIC:FASTACQ:RECORDLENGTH:MAXIMUM:VALUE

Sets or queries the horizontal FastAcq maximum record length.

- Group** Horizontal
- Syntax** HORIZONTAL:MODE:AUTOMATIC:FASTACQ:RECORDLENGTH:MAXIMUM:VALUE
<NR1>
HORIZONTAL:MODE:AUTOMATIC:FASTACQ:RECORDLENGTH:MAXIMUM:
VALUE?
- Arguments** <NR1> is the horizontal FastAcq maximum record length.
- Examples** HORIZONTAL:MODE:AUTOMATIC:FASTACQ:RECORDLENGTH:MAXIMUM:VALUE
6250 sets the maximum value to 6.25 k.

HORIZONTAL:MODE:AUTOMATIC:FASTACQ:RECORDLENGTH:MAXIMUM:ZOOMOVERRIDE

Sets or queries the flag which allows override of the horizontal FastAcq maximum record length.

- Group** Horizontal
- Syntax** HORIZONTAL:MODE:AUTOMATIC:FASTACQ:RECORDLENGTH:MAXIMUM:
ZOOMOVERRIDE {OFF|ON|0|1}
HORIZONTAL:MODE:AUTOMATIC:FASTACQ:RECORDLENGTH:MAXIMUM:
ZOOMOVERRIDE?

Arguments	<p>OFF does not allow override of the horizontal FastAcq maximum record length.</p> <p>ON allows override of the horizontal FastAcq maximum record length.</p> <p>0 does not allow override of the horizontal FastAcq maximum record length.</p> <p>1 allows override of the horizontal FastAcq maximum record length.</p>
Examples	<p>HORIZONTAL:MODE:AUTOMATIC:FASTACQ:RECORDLENGTH:MAXIMUM:ZOOMOVERRIDE 0 does not allow override of the horizontal FastAcq maximum record length.</p> <p>HORIZONTAL:MODE:AUTOMATIC:FASTACQ:RECORDLENGTH:MAXIMUM:ZOOMOVERRIDE? might return :HORIZONTAL:MODE:AUTOMATIC:FASTACQ:RECORDLENGTH:MAXIMUM:ZOOMOVERRIDE 1 indicating that override of the horizontal FastAcq maximum record length is allowed.</p>

HORizontal:MODE:MANual:CONFIGure

Sets or queries which horizontal control (scale or record length) will primarily change when the sample rate is changed in Manual mode. If the selected control (scale or record length) reaches a limit then the unselected control (record length or scale) may also change.

Group	Horizontal
Syntax	<p>HORizontal:MODE:MANual:CONFIGure {HORizontal:scale RECORDLength} HORizontal:MODE:MANual:CONFIGure?</p>
Arguments	<p>HORizontal:scale will change when sample rate is adjusted.</p> <p>RECORDLength will change when sample rate is adjusted.</p>
Examples	<p>HORIZONTAL:MODE:MANUAL:CONFIGURE RECORDLength allows the record length be adjusted when sample rate is changed in Manual mode.</p>

HORizontal:MODE:RECOrdlength

This command sets or queries the record length.

Group	Horizontal
--------------	------------

Syntax `HORizontal:MODE:RECOrdLength <NR1>`
`HORizontal:MODE:RECOrdLength?`

Arguments `<NR1>` is the record length in samples. Manual mode lets you change the record length, while the record length is read only for Automatic mode.

Examples `HORIZONTAL:MODE:RECORDLENGTH 1000` sets the record length to 1000 samples.

`HORIZONTAL:MODE:RECORDLENGTH?` might return
`:HORIZONTAL:MODE:RECORDLENGTH 1000000`, indicating that the record length is set to 1,000,000 samples

HORizontal:MODE:SAMPLERate

This command sets or queries the sample rate.

Group Horizontal

Syntax `HORizontal:MODE:SAMPLERate <NR1>`
`HORizontal:MODE:SAMPLERate?`

Arguments `<NR1>` is the sample rate in samples per second.

Examples `HORIZONTAL:MODE:SAMPLERATE 1e6` sets the sample rate to 1 million samples per second.

`HORIZONTAL:MODE:SAMPLERATE?` might return
`:HORIZONTAL:MODE:SAMPLERATE 5.0000E+6`, indicating that the sample rate is set to 5 million samples per second.

HORizontal:MODE:SCALE

This command sets or queries the horizontal scale.

Group Horizontal

Syntax `HORizontal:MODE:SCALE <NR1>`
`HORizontal:MODE:SCALE?`

Arguments <NR1> is the horizontal scale in seconds per division.

Examples HORIZONTAL:MODE:SCALE 2e-9 sets the horizontal scale to 2 ns per division.
 HORIZONTAL:MODE:SCALE? might return :HORIZONTAL:MODE:SCALE 20.0000E-6, indicating that the horizontal scale is set to 10 μ s per division.

HORizontal:POSition

This command sets or queries the horizontal position as a percent of screen width. When Horizontal Delay Mode is turned off, this command is equivalent to adjusting the HORIZONTAL POSITION knob on the front panel. When Horizontal Delay Mode is turned on, the horizontal position is forced to 50%.

Group Horizontal

Syntax HORIZONTAL:POSITION <NR3>
 HORIZONTAL:POSITION?

Arguments <NR3> is from 0 to \approx 100 and is the position of the trigger point on the screen (0 = left edge, 100 = right edge).

Examples HORIZONTAL:POSITION 10 sets the trigger position of the waveform such that 10% of the display is to the left of the trigger position.
 HORIZONTAL:POSITION? might return :HORIZONTAL:POSITION 5.0000E+01 indicates the trigger point displayed on the screen.

HORizontal:PREViewstate? (Query Only)

This query returns the display system preview state.

Group Horizontal

Syntax HORIZONTAL:PREViewstate?

Returns <NR1> = 1 if the system is in the preview state.
 <NR1> = 0 if the system is not in the preview state.

Examples `HORIZONTAL:PREVIEWSTATE?` might return `:HORIZONTAL:PREVIEWSTATE 0` indicating the system is not in the preview state.

HORizontal:RECOrdlength

This command sets or queries the horizontal record length. To change the record length the Horizontal Mode must be set to Manual.

Group Horizontal

Syntax `HORizontal:RECOrdlength <NR1>`
`HORizontal:RECOrdlength?`

Arguments `<NR1>` is the horizontal record length.

Examples `HORIZONTAL:RECORDLENGTH 1000` sets the record length to 1000 samples.
`HORIZONTAL:RECORDLENGTH?` might return `:HORIZONTAL:RECORDLENGTH 1000000`, indicating that the record length is set to 1,000,000 samples

HORizontal:ROLL? (Query Only)

Queries the horizontal roll mode status.

Group Horizontal

Syntax `HORizontal:ROLL?`

Returns `ON` indicates roll mode is active.
`OFF` indicates that summary frame is off.
`<NR1>` a 0 indicates roll mode is off; any other value activates roll mode.

Examples `HORIZONTAL:ROLL?` might return `:HORIZONTAL:ROLL 0` indicating roll mode is off.

HORizontal:SAMPLERate

This command sets or queries the horizontal sample rate.

Group	Horizontal
Syntax	<code>HORizontal:SAMPLERate <NR3></code> <code>HORizontal:SAMPLERate?</code>
Arguments	<NR3> is the horizontal sample rate in samples per second.
Examples	<code>HORIZONTAL:SAMPLERATE 1e6</code> sets the sample rate to 1 million samples per second. <code>HORIZONTAL:SAMPLERATE?</code> might return <code>:HORIZONTAL:SAMPLERATE 5.0000E+6</code> , indicating that the sample rate is set to 5 million samples per second.

HORizontal:SAMPLERate:ANALYZemode:MINimum:OVERRide

Sets or queries the flag which allows override of the horizontal analyze minimum sample rate.

Group	Horizontal
Syntax	<code>HORizontal:SAMPLERate:ANALYZemode:MINimum:OVERRide</code> <code>{OFF ON 0 1}</code> <code>HORizontal:SAMPLERate:ANALYZemode:MINimum:OVERRide?</code>
Arguments	0 does not allow override of the horizontal analyze minimum sample rate. 1 allows override of the horizontal analyze minimum sample rate. OFF does not allow override of the horizontal analyze minimum sample rate. ON allows override of the horizontal analyze minimum sample rate.
Examples	<code>HORIZONTAL:SAMPLERATE:ANALYZEMODE:MINIMUM:OVERRIDE OFF</code> does not allow override of the horizontal analyze minimum sample rate. <code>HORIZONTAL:SAMPLERATE:ANALYZEMODE:MINIMUM:OVERRIDE?</code> might return <code>:HORIZONTAL:SAMPLERATE:ANALYZEMODE:MINIMUM:OVERRIDE 1</code> indicating that override of the horizontal analyze minimum sample rate is allowed.

HORizontal:SAMPLERate:ANALYZemode:MINimum:VALue

Sets or queries the minimum sample rate used by Analysis Automatic horizontal mode.

Group Horizontal

Syntax `HORizontal:SAMPLERate:ANALYZemode:MINimum:VALue`
`{AUTOMATIC|<NR3>}`
`HORizontal:SAMPLERate:ANALYZemode:MINimum:VALue?`

Related Commands

Arguments `AUTOMATIC` allows the instrument to set the minimum value.
`<NR3>` is the minimum sample rate.

Examples `HORizontal:SAMPLERate:ANALYZemode:MINimum:VALue AUTOMATIC`
allows the instrument to set the minimum value.

`HORizontal:SAMPLERate:ANALYZemode:MINimum:VALue?` might return
`HORIZONTAL:SAMPLERATE:ANALYZEMODE:MINIMUM:VALUE AUTOMATIC`
indicating the instrument automatically sets the minimum value.

HORizontal:SCALE

This command sets or queries the horizontal scale.

Group Horizontal

Syntax `HORizontal:SCALE <NR3>`
`HORizontal:SCALE?`

Arguments `<NR3>` is the horizontal scale in time per division.

Returns The current horizontal scale is returned.

Examples `HORIZONTAL:SCALE 20e-9` sets the horizontal scale to 20 ns/division.
`HORIZONTAL:SCALE?` might return `HORIZONTAL:SCALE 20e-9` indicating the
horizontal scale is set to 20 ns/division.

HSInterface:PORT

This command sets or queries the port that the high speed interface listens on.

Group	Waveform Transfer
Syntax	<code>HSInterface:PORT <NR1></code> <code>HSInterface:PORT?</code>
Arguments	<NR1> is the port number that the high speed interface listens. The default value is 5000.
Examples	<code>HSInterface:PORT 5000</code> sets the high speed interface port number to 5000. <code>HSInterface:PORT?</code> might return <code>:HSInterface:PORT 5000</code> , indicating the high speed interface port number is 5000.

HSInterface:STAtE

This command enables or disables the high speed interface.

Group	Waveform Transfer
Syntax	<code>HSInterface:STAtE {0 1}</code> <code>HSInterface:STAtE?</code>
Arguments	0 disables high speed interface. This is the default value. 1 enables high speed interface.
Examples	<code>HSInterface:STAtE 1</code> enables the high speed interface. <code>HSInterface:STAtE?</code> might return <code>:HSInterface:STAtE 0</code> , indicating the high speed interface is disabled.

HSInterface:TIMEout

This command sets or queries the timeout for the high speed interface. If a client is waiting for data and no new data is acquired within the specified timeout, the high speed interface will disconnect the client.

Group	Waveform Transfer
--------------	-------------------

Syntax `HSInterface:TIMEout <NR1>`
`HSInterface:TIMEout?`

Arguments `<NR1>` is the amount of time in seconds. The default value is 20 seconds.

Examples `HSInterface:TIMEout 10` sets the timer interval to 10 seconds.
`HSInterface:TIMEout?` might return `:HSInterface:TIMEout 60`, indicating the timer interval is 60 seconds (1 minute).

ID? (Query Only)

This query-only command returns identifying information about the instrument and related firmware similar to that returned by the `*IDN?` IEEE488.2 common query but does not include the instrument serial number.

Group Miscellaneous

Syntax `ID?`

Related Commands [*IDN?](#)

Examples `ID?` might return `ID TEK/MS054,CF:91.1CT,FV:1.2.0.2886`, indicating that the instrument model number is set to MS054, codes and formats is CF:91.1CT, and firmware version is FV:1.2.0.

*IDN? (Query Only)

This query-only command returns the instrument identification code.

Group Miscellaneous

Syntax `*IDN?`

Related Commands [ID?](#)

Examples *IDN? might return TEKTRONIX,MSO54,C100123,CF:91.1CT
FV:1.2.0.2886, indicating the instrument model number, serial number, codes
and formats number, and firmware version number.

LICense? (Query Only)

This query-only command returns all license parameters.

Group Miscellaneous

Syntax LICense?

Examples LICENSE? might return :LICENSE:GMT
"2016-05-23T17:05:10-07:00";HID "TMS-AAA9CS4US5SGJN6X";LIST
"5-BW-1000";COUNT 1.

LICense:APPID? (Query Only)

This query returns a comma-separated list of the active application IDs. If a string argument is provided, a “0” or “1” is returned, according to whether the string matches an active application ID.

Group Miscellaneous

Syntax LICense:APPID? {<QString>}

Returns This query returns a comma-separated list of the active application IDs. If a string argument is provided, a “0” or “1” is returned, according to whether the string matches an active application ID.

Examples LIC:APPID? might return “BW5-2000, AFG, DVM, DJA”, which is a complete list of the active applications.

LIC:APPID? “AFG” would return “1” because the app is active.

LICense:COUNT? (Query Only)

This query returns a count of the number of active licenses installed.

Group	Miscellaneous
Syntax	LICense:COUNT?
Returns	A count of the number of active licenses installed.
Examples	LICENSE:COUNT? might return :LICENSE:COUNT 2 indicating that 2 active licenses are installed

LICense:ERRor? (Query Only)

This query-only command prompts the instrument to return all events and their messages (delimited by commas), and removes the returned events from the Event Queue. This command is an alias for ALLEv?.

Group	Miscellaneous
Syntax	LICense:ERRor?
Related Commands	ALLEv? *ESR? EVMsg?
Examples	LICense:ERRor? might return 0, "No events to report- queue empty".

LICense:GMT? (Query Only)

This query returns the GMT time in ISO 8601 format, the local date, 24 hour time and time-zone offset.

Group	Miscellaneous
Syntax	LICense:GMT?
Returns	The GMT time in ISO 8601 format, the local date, 24 hour time and time-zone offset.

Examples `LICENSE:GMT?` might return `:LICENSE:GMT`
`"2016-05-23T17:05:10-07:00"` indicating the local GMT time.

LICense:HID? (Query Only)

This query returns the instrument HostID unique identifier.

Group Miscellaneous

Syntax `LICense:HID?`

Returns The instrument HostID unique identifier.

Examples `LICENSE:HID?` might return `:LICENSE:HID "TMS-9CS4US5SGJN6X"`

LICense:INSTall (No Query Form)

This command accepts a block data license and installs it on the instrument. Restarting the instrument may be necessary to fully activate the additional capabilities. The format of the block data in the argument must have the following:

- `#<File size (Number of characters in LIC file)>`
- `<LIC file content>`

Group Miscellaneous

Syntax `LICense:INSTall <Block>`

Arguments `<Block>` is the license in block data format.

Examples `LICENSE:INSTALL #42312[Header] Version=1 Type="Enter"...`

LICense:ITEM? (Query Only)

This query returns the details pertaining to a specific license. The NR1 argument is zero-indexed. If no argument is provided, zero is assumed.

Group	Miscellaneous
Syntax	<code>LICENSE:ITEM? <NR1></code>
Arguments	<NR1> is the zero-indexed argument specifying a specific license.
Returns	The details pertaining to a specific license.
Examples	<code>LICENSE:ITEM? 0</code> might return "5-BW-1000,Fixed,2116-06-15T14:55:54-07:00,11870047,BW5-1000,1 GHz bandwidth on 5 series oscilloscopes"

LICENSE:LIST? (Query Only)

This query returns the active license nomenclatures as a comma-separated list of strings. Duplicate nomenclatures, that is, the same license but with different expiration dates, are included.

Group	Miscellaneous
Syntax	<code>LICENSE:LIST?</code>
Returns	The active license nomenclatures as a comma-separated list of strings.
Examples	<code>LICENSE:LIST?</code> might return <code>:LICENSE:LIST</code> "5-BW-1000", "SUP5-RL125M".

LICENSE:UNINSTALL? (Query Only)

Returns the exit license indicated for the user to return to their TekAMS account. Active licenses can be specified by their nomenclature. TransactionIDs can be used to specify an active license or a previously uninstalled license. In either case, the exit-license is returned as block data.

Group	Miscellaneous
Syntax	<code>LICENSE:UNINSTALL? <QString></code>

Arguments	<QString> is the nomenclature of an active license or a TransactionIDs to specify an active license or a previously uninstalled license.
Returns	The exit-license is returned as block data.
Examples	<p>LICense:UNINSTALL? "LIC5-SRAERO" uninstalls the given license and returns the license block data.</p> <p>LICense:UNINSTALL? "569765772" uninstalls the license with the given transaction ID and returns the license block data.</p>

LICense:VALidate? (Query Only)

This query accepts a license nomenclature as an argument and returns True (1) if that nomenclature is active and any required hardware is installed, or False (0) if either the nomenclature is not active or required hardware is not installed.

Group	Miscellaneous
Syntax	LICense:VALidate? <QString>
Arguments	<QString> is the license nomenclature.
Returns	<p>True (1) if that nomenclature is active and any required hardware is installed.</p> <p>False (0) if either the nomenclature is not active or required hardware is not installed.</p>
Examples	LICENSE:VALIDATE? "AFG" might return :LICENSE:VALIDATE "AFG",0 indicating the license is not active.

LOCK

This command enables or disables the touch screen and all front panel buttons and knobs. There is no front panel equivalent.

When the front panel is locked, the front panel commands will not work and will not generate error events. You can work around a locked front panel, by using the appropriate programmatic interface commands, instead of the front-panel commands. For example, to set the trigger level to 50%, you could use TRIGGER:A SETLevel. To force a trigger, you could use TRIGGER FORCE.

Group	Miscellaneous
Syntax	LOCK {ALL NONE} LOCK?
Related Commands	UNLock TOUCHSCREEN:STATE
Arguments	<p>ALL disables all front panel controls and the touch screen.</p> <p>NONE enables all front panel controls and the touch screen. The UNLOCK ALL command only unlocks the front panel controls.</p> <p>If the instrument is in the Remote With Lockout State (RWLS), the LOCK NONE command has no effect. For more information, see the ANSI/IEEE Std 488.1-1987 Standard Digital Interface for Programmable Instrumentation, section 2.8.3 on RL State Descriptions.</p>
Examples	<p>LOCK ALL locks the front panel controls and touch screen.</p> <p>LOCK? might return :LOCK NONE, indicating that the front panel controls are enabled.</p>

*LRN? (Query Only)

This query-only command returns the commands that list the instrument settings, allowing you to record or “learn” the current instrument settings. You can use these commands to return the instrument to the state it was in when you made the *LRN? query. This command is identical to the [SET?](#) command.

Group	Miscellaneous
Syntax	*LRN?
Related Commands	SET?
Examples	<p>*LRN? might return the following response: *RST;:PARAMBATCHING 0;:HEADER 1;:VERBOSE 1;:ALIAS:STATE 0;:ACQUIRE:STATE 1;:ACQUIRE:NUMENV INFINITE;:FASTACQ:STATE 0;:FASTACQ:PALETTE TEMPERATURE;:HORIZONTAL:SAMPLERATE:ANALYZEMODE:MINIMUM:VALUE AUTOMATIC;:SELECT:CH1 1;:SELECT:CH2 0;:SELECT:CH3</p>

```

0;:SELECT:CH4 0;:SELECT:CH5 0;:SELECT:CH6 0;:SELECT:CH7
0;:SELECT:CH8 0;:CH1:BANDWIDTH 250.0000E+6;:CH2:BANDWIDTH
500.0000E+6;:CH3:BANDWIDTH 500.0000E+6;:CH4:BANDWIDTH
500.0000E+6;:CH5:BANDWIDTH 500.0000E+6;:CH6:BANDWIDTH
500.0000E+6;:CH7:BANDWIDTH 120.0000E+6;:CH8:BANDWIDTH
500.0000E+6;:CH1:BANDWIDTH:ENHANCED
0;:CH2:BANDWIDTH:ENHANCED 0;:CH3:BANDWIDTH:ENHANCED
0;:CH4:BANDWIDTH:ENHANCED 0;:CH5:BANDWIDTH:ENHANCED
0;:CH6:BANDWIDTH:ENHANCED 0;:CH7:BANDWIDTH:ENHANCED
0;:CH8:BANDWIDTH:ENHANCED 0;:DATA:DESTINATION
REF1;:DATA:ENCDG ASCII;:DATA:SOURCE CH1;:DATA:START
1;:DATA:STOP 100000;:CH1:PROBETYPE
ANALOG;:CH2:PROBETYPE ANALOG;:CH3:PROBETYPE
ANALOG;:CH4:PROBETYPE ANALOG;:CH5:PROBETYPE
DIGITAL;:CH6:PROBETYPE ANALOG;:CH7:PROBETYPE
ANALOG;:CH8:PROBETYPE ANALOG;:HORIZONTAL:MODE
AUTO;:HORIZONTAL:SAMPLERATE:ANALYZEMODE:MINIMUM:OVERRIDE
1;:HORIZONTAL:MODE:AUTOMATIC:FASTACQ:RECORDLENGTH:MAXIMUM:
ZOOMOVERRIDE
1;:HORIZONTAL:MODE:AUTOMATIC:FASTACQ:RECORDLENGTH:
MAXIMUM:VALUE 1250;:HORIZONTAL:MODE:MANUAL:CONFIGURE
HORIZONTALSCALE;:HORIZONTAL:SAMPLERATE
6.2500E+9;:DISPLAY:WAVEVIEW1:ZOOM:ZOOM1:VERTICAL:SCALE
1.0000;:TRIGGER:B:TYPE EDGE;:TRIGGER:A:TYPE
EDGE;:ACQUIRE:SEQUENCE:NUMSEQUENCE
1;:ACQUIRE:SEQUENCE:MODE NUMACQS;:ACQUIRE:MODE
SAMPLE;:ACQUIRE:STOPAFTER RUNSTOP;:ACQUIRE:FASTACQ:PALETTE
TEMPERATURE;:ACQUIRE:FASTACQ:STATE 0;:ACQUIRE:NUMAVG 16T.

```

MAINWindow:BADGe:BRINGtovieW (No Query Form)

This command is used to automatically scroll the specified badge to make it visible. The input to the command is the badge title name.

Group	Miscellaneous
Syntax	MAINWindow:BADGe:BRINGtovieW <QString>
Arguments	<QString> specifies a badge title name to make the badge visible.
Examples	MAINWindow:BADGe:BRINGtovieW "Meas 1" makes sure the Meas1 badge is shown in the RRB.

MAINWindow:FONTSize (No Query Form)

Sets the font size for UI text elements. Font size range is 12 to 20 points.

Group Miscellaneous

Syntax MAINwindow:FONTsize <NR1>

Arguments <NR1> specifies the font size.

Examples MAINwindow:FONTsize 18 sets the UI text size to 18 points.

MAINWindow:RRBDisplaystate (No Query Form)

Sets the display state of the Results readout bar to ON (displayed) or OFF (not displayed).

Group Miscellaneous

Syntax MAINwindow:RRBdisplaystate {1|ON|0|OFF}

Arguments ON enables Autoset to change vertical settings.

OFF disables Autoset from changing vertical settings.

1 enables Autoset to change vertical settings.

0 disables Autoset from changing vertical settings.

Examples MAINwindow:RRBdisplaystate 1 expands (displays) the Results readout bar.

MASK:DELeTe (No Query Form)

This command deletes all mask segments of the specified mask test.

Conditions Requires option MTM.

Group Mask

Syntax	<code>MASK:DELEte <QString></code>
Arguments	<code><QString></code> specifies the mask test. This argument is enclosed in quotes and must be formatted as “mask<x>”.
Examples	<code>MASK:DELETE “mask2”</code> will delete all mask segments of mask test 2.

MASK:MASK<x>:COUNT? (Query Only)

This command returns the total number of mask hits in all segments and the number of mask hits in each individual mask segment for the specified mask test.

Conditions	Requires option MTM.
Group	Mask
Syntax	<code>MASK:MASK<x>:COUNT?</code>
Arguments	<code>MASK<x></code> specifies the mask test.
Returns	<code><NR1></code> is the total number of mask hits in all segments and the number of mask hits in each individual mask segment.
Examples	<code>MASK:MASK1:COUNT?</code> might return <code>:MASK:MASK1:COUNT:HITS 211;SEG1:HITS;;:MASK:MASK1:COUNT:SEG2:HITS 199;MASK:MASK1:COUNT:SEG3:HITS 12</code> , indicating the number of mask hits on segment 1, 2, and 3 for mask test 1.

MASK:MASK<x>:COUNT:HITS? (Query Only)

This command returns the total number of mask hits in all mask segments for the specified mask test.

Conditions	Requires option MTM.
Group	Mask

Syntax MASK:MASK<x>:COUNT:HITS?

Arguments MASK<x> specifies the mask test.

Returns <NR1> is the total number of mask hits in all mask segments.

Examples MASK:MASK1:COUNT:HITS? might return :MASK:MASK1:COUNT:HITS
211, indicating 211 mask hits for mask test 1.

MASK:MASK<x>:DEFinedby

This command sets or queries whether the specified mask is defined by segments or tolerances. Segment masks are defined by one or more polygons. Tolerance masks are defined by specified horizontal and vertical tolerances around the mask source.

Conditions Requires option MTM.

Group Mask

Syntax MASK:MASK<x>:DEFinedby {SEGments|TOLerances}
MASK:MASK<x>:DEFinedby?

Related Commands [MASK:MASK<x>:TOLerance:HORizontal](#)
[MASK:MASK<x>:TOLerance:VERTical](#)
[MASK:MASK<x>:TOLerance:UPDatenow](#)

Arguments MASK<x> specifies the mask number.
SEGments defines the mask by segments.
TOLerances defines the mask by horizontal and vertical tolerances around mask source.

Examples MASK:MASK1:Definedby SEGments sets mask 1 to be defined by segments.
MASK:MASK1:Definedby? might return :MASK:MASK1:Definedby
TOLerances, indicating mask 1 is defined by the horizontal and vertical tolerances.

MASK:MASK<x>:DISplay

This command sets or queries the display state of the mask used for the specified mask test.

Conditions Requires option MTM.

Group Mask

Syntax MASK:MASK<x>:DISplay {ON|OFF}
MASK:MASK<x>:DISplay?

Arguments MASK<x> specifies the mask test.
ON sets the display state of the specified mask to on.
OFF sets the display state of the specified mask to off.

Examples MASK:MASK1:DISPLAY OFF disables the display of the mask used by mask test 1.
MASK:MASK1:DISPLAY? might return :MASK:MASK1:DISPLAY OFF, indicating the display state for mask test 1 is off.

MASK:MASK<x>:LIST? (Query Only)

This command queries the list of segments in the mask used by the specified mask test.

Conditions Requires option MTM.

Group Mask

Syntax MASK:MASK<x>:LIST?

Arguments MASK<x> specifies the mask test.

Returns A comma separated list of segment names.

Examples MASK:MASK1:LIST? might return :MASK:MASK1:LIST
SEG1, SEG2, SEG3, indicating that segment 1, 2, and 3 are used by
mask test 1.

MASK:MASK<x>:COUNT:SEG<x>:HITS? (Query Only)

The command returns the total number of mask hits in the specified mask segment of the specified mask test.

Conditions Requires option MTM.

Group Mask

Syntax MASK:MASK<x>:COUNT:SEG<x>:HITS?

Arguments MASK<x> specifies the mask test.
SEG<x> specifies the mask segment.

Returns <NR1> is the total number of mask hits in the specified segment.

Examples MASK:MASK1:COUNT:SEG2:HITS? might return
:MASK:MASK1:COUNT:SEG2:HITS 211, indicating 211 mask 1 hits in segment
2.

MASK:MASK<x>:SEG<x>:POINTS

This command sets or queries the X/Y coordinates of all points in the designated mask segment. Mask vertices are in time/volts (currently limited to 1024 characters). The set form defines new points in the mask, replacing any existing points.

Conditions Requires option MTM.

Group Mask

Syntax MASK:MASK<x>:SEG<x>:POINTS
MASK:MASK<x>:SEG<x>:POINTS?

Arguments	MASK<x> specifies the mask test. SEG<x> specifies the mask segment.
Examples	MASK:MASK1:SEG1:POINTS “-40E-9,-200E-3,0,0,-40E-9,0” sets the X/Y coordinates of all the points in segment 1 of mask test 1. MASK:MASK1:SEG1:POINTS? might return :MASK:MASK1:SEG1:POINTS “-40E-9,-200E-3,0,0,-40E-9,0”, indicating the X/Y coordinates of all the points in segment 1 of mask test 1.

MASK:MASK<x>:SOURce

This command sets or queries analog source for the specified mask test.

Conditions	Requires option MTM.
Group	Mask
Syntax	MASK:MASK<x>:SOURce {CH<x> REF<x> MATH<x> RFVSTime} MASK:MASK<x>:SOURce?
Arguments	MASK<x> specifies the mask test. CH<x> specifies an analog channel as source. MATH<x> specifies a math channel as source. REF<x> specifies a reference waveform as the source. RFVSTime specifies a RF vs Time as the source.
Examples	MASK:MASK1:SOURce CH2 sets the analog source for mask test 1 to Channel 2. MASK:MASK1:SOURce? might return :MASK:MASK1:SOURce CH2, indicating the analog source for mask test 1 is Channel 2.

MASK:MASK<x>:TEST:CTHReshold

This command sets or queries the number of consecutive waveform violations needed for the specified mask test to change from PASS to FAIL.

Conditions	Requires option MTM.
-------------------	----------------------

Group	Mask
Syntax	MASK:MASK<x>:TEST:CTHResho1d <NR1> MASK:MASK<x>:TEST:CTHResho1d?
Arguments	MASK<x> specifies the mask test. <NR1> specifies the threshold value.
Examples	MASK:MASK1:TEST:CTHRESHOLD 5 sets the number of consecutive waveform violations to 5 for mask test 1 to fail. MASK:MASK1:TEST:CTHRESHOLD? might return :MASK:MASK1:TEST:CTHRESHOLD 5, indicating 5 consecutive waveform violations must occur on mask test 1 for mask test 1 to fail.

MASK:MASK<x>:TEST:STATE

This command sets or queries the state of the specified mask test.

Conditions	Requires option MTM.
Group	Mask
Syntax	MASK:MASK<x>:TEST:STATE {ON OFF} MASK:MASK<x>:TEST:STATE?
Arguments	MASK<x> specifies the mask test. ON sets the mask test state to ON. When the state is ON the Pass/Fail status and hit count information are reset and the mask test is started. OFF sets the mask test state to OFF. When the mask test completes the state is set to OFF.
Examples	MASK:MASK1:TEST:STATE ON sets the state of mask test 1 to ON. MASK:MASK1:TEST:STATE? might return :MASK:MASK1:TEST:STATE OFF, indicating mask test 1 is OFF.

MASK:MASK<x>:TEST:STATUS? (Query Only)

This command returns the status of the specified mask test.

Conditions	Requires option MTM.
Group	Mask
Syntax	MASK:MASK<x>:TEST:STATUS?
Arguments	MASK<x> specifies the mask test.
Returns	Return values are PASSING, FAILING, PASSED, or FAILED. When the total hit count equals or exceeds the minimum threshold the status changes from PASSING to FAILING. When the test completes the status changes to PASSED or FAILED. Default value when test state is first set ON or after CLEAR is PASSING.
Examples	MASK:MASK1:TEST:STATUS? might return :MASK:MASK1:TEST:STATUS PASSED, indicating mask test 1 passed.

MASK:MASK<x>:TEST:THReshold

This command sets or queries the number of waveform violations needed for the specified mask test to change from PASS to FAIL.

Conditions	Requires option MTM.
Group	Mask
Syntax	MASK:MASK<x>:TEST:THReshold <NR1> MASK:MASK<x>:TEST:THReshold?
Arguments	MASK<x> specifies the mask test. <NR1> specifies the threshold value.
Examples	MASK:MASK1:TEST:THRESHOLD 10 sets the number of waveform violations to 10 for mask test 1 to fail.

`MASK:MASK1:TEST:THRESHOLD?` might return
`:MASK:MASK1:TEST:THRESHOLD 10`, indicating 10 waveform violations
on mask test 1.

MASK:MASK<x>:TOLerance:HABSolute

This command sets or queries the mask horizontal tolerance in absolute units of seconds. This value is used when the mask TTYPe is set to ABSolute and the UPDatenow command is sent.

Conditions	Requires option MTM.
Group	Mask
Syntax	<code>MASK:MASK<x>:TOLerance:HABSolute <NR3></code> <code>MASK:MASK<x>:TOLerance:HABSolute?</code>
Related Commands	MASK:MASK<x>:TOLerance:UPDatenow MASK:MASK<x>:TTYPe
Arguments	<code>MASK<x></code> specifies the mask number. <NR3> is the tolerance in units of seconds. The maximum time is the equivalent of one horizontal graticule division.
Examples	<code>MASK:MASK1:TOLerance:HABSolute 1.5e-9</code> sets the horizontal tolerance of Mask1 to 1.5 ns. The mask is not recalculated until an UPDatenow command is sent. <code>MASK:MASK2:TOLerance:HABSolute?</code> might return <code>:MASK:MASK2:TOLerance:HABSolute 3.75e-7</code> , indicating that the horizontal tolerance of Mask2 is 375 ns.

MASK:MASK<x>:TOLerance:HORizontal

This command sets or queries the mask horizontal tolerance.

Conditions	Requires option MTM.
Group	Mask

Syntax MASK:MASK<x>:TOLerance:HORizontal <NR3>
MASK:MASK<x>:TOLerance:HORizontal?

Related Commands [MASK:MASK<x>:TOLerance:UPDatenow](#)

Arguments MASK<x> specifies the mask number.
<NR3> is the tolerance in units of graticule divisions. The maximum is 1 division.

Examples MASK:MASK1:TOLerance:HORizontal .200 sets the tolerance of mask 1 to 200 mdiv or 20% of a division. The mask is not recalculated until an UPDatenow command is sent.

MASK:MASK1:TOLerance:HORizontal? might return
:MASK:MASK1:TOLerance:HORizontal .200, indicating the tolerance of mask 1 is 200 mdiv.

MASK:MASK<x>:TOLerance:UPDatenow (No Query Form)

This command causes the tolerance mask to be recalculated with the current horizontal and vertical tolerances.

Conditions Requires option MTM.

Group Mask

Syntax MASK:MASK<x>:TOLerance:UPDatenow

Related Commands [MASK:MASK<x>:TOLerance:HORizontal](#)
[MASK:MASK<x>:TOLerance:VERTical](#)

Arguments MASK<x> specifies the mask number.

Examples MASK:MASK1:TOLerance:UPDatenow recalculates the tolerance of mask 1 with the current horizontal and vertical tolerance settings.

MASK:MASK<x>:TOLerance:VABSolute

This command sets or queries the mask vertical tolerance in absolute units of the mask source (generally volts). This value is used when the mask TTYPe is set to ABSolute and the UPDateNow command is sent.

Conditions	Requires option MTM.
Group	Mask
Syntax	MASK:MASK<x>:TOLerance:VABSolute <NR3> MASK:MASK<x>:TOLerance:VABSolute?
Related Commands	MASK:MASK<x>:TOLerance:UPDateNow MASK:MASK<x>:TTYPe
Arguments	MASK<x> specifies the mask number. <NR3> is the tolerance in units of the mask source. Most traces in the waveform window have vertical units of volts, but other units such as amps or degrees are possible. The maximum value is the equivalent of one vertical graticule division.
Examples	MASK:MASK1:TOLerance:VABSolute 1.75 sets the vertical tolerance of Mask1 to 1.75 V. The mask is not recalculated until an UPDateNow command is sent. MASK:MASK2:TOLerance:VABSolute? might return :MASK:MASK2:TOLerance:VABSolute 2.5e-2, indicating that the vertical tolerance of Mask2 is 25 mV.

MASK:MASK<x>:TOLerance:VERTical

This command sets or queries the mask vertical tolerance.

Conditions	Requires option MTM.
Group	Mask
Syntax	MASK:MASK<x>:TOLerance:VERTical <NR3> MASK:MASK<x>:TOLerance:VERTical?

Related Commands	MASK:MASK<x>:TOLerance:UPDatenow
Arguments	MASK<x> specifies the mask number. <NR3> is the tolerance in units of graticule divisions. The maximum is 1 division.
Examples	MASK:MASK1:TOLerance:VERTical .100 sets the tolerance of mask 1 to 100 mdiv or 10% of a division. The mask is not recalculated until an UPDatenow command is sent. MASK:MASK1:TOLerance:VERTical? might return :MASK:MASK1:TOLerance:VERTical .100, indicating the tolerance of mask 1 is 100 mdiv.

MASK:MASK<x>:TTYPe

This command sets or queries the type of tolerance values used when defining a tolerance mask.

Conditions	Requires option MTM.
Group	Mask
Syntax	MASK:MASK<x>:TTYPe {SCREen ABSolute} MASK:MASK<x>:TTYPe?

Related Commands	MASK:MASK<x>:TOLerance:HORizontal MASK:MASK<x>:TOLerance:VERTical MASK:MASK<x>:TOLerance:HABSolute MASK:MASK<x>:TOLerance:VABSolute
-------------------------	--------------------------------------------------------------------------------------------------------------------------------------------------------------------------------------------------------------------------------------

Arguments	MASK<x> specifies the mask number. SCREen indicates that the horizontal and vertical mask tolerances are defined in relative units of graticule divisions. There are always 10 horizontal divisions and 10 vertical divisions on the scope waveform display. When the tolerance type is SCREen, the tolerance values set by the HORizontal and VERTical commands are used to define the tolerance mask when an UPDatenow command is sent. ABSolute indicates that the horizontal and vertical mask tolerances are defined in the absolute units of the mask source waveform. These units are normally seconds and volts respectively. When the tolerance type is ABSolute, the tolerance values
------------------	---------------------------------------------------------------------------------------------------------------------------------------------------------------------------------------------------------------------------------------------------------------------------------------------------------------------------------------------------------------------------------------------------------------------------------------------------------------------------------------------------------------------------------------------------------------------------------------------------------------------------------------------------------------------------------------------------------------

set by the HABSolute and VABSolute commands are used to define the tolerance mask when an UPDateNow command is sent.

- Examples** MASK:MASK1:TTYPE ABSOLUTE specifies that the horizontal and vertical tolerances for Mask1 are specified in absolute s and V units.
- MASK:MASK2:TTYPE? might return :MASK:MASK2:TTYPE SCREen, indicating that the horizontal and vertical tolerances for Mask2 are defined in screen-relative graticule division units

MASK:TEST:WAVEforms

This command sets or queries the number of waveform acquisitions to test during mask testing. The number of waveforms applies to all mask tests.

- Conditions** Requires option MTM.
- Group** Mask
- Syntax** MASK:TEST:WAVEforms <NR1>
MASK:TEST:WAVEforms?
- Arguments** <NR1> specifies the number of waveform acquisitions.
- Examples** MASK:TEST:WAVEFORMS 1k sets the number of waveform acquisitions to test to 1000.
- MASK:TEST:WAVEFORMS? might return :MASK:TEST:WAVEFORMS 1k, indicating the number of waveform acquisitions to test is 1000.

MATH:ADDNew (No Query Form)

This command adds the specified math.

- Group** Math
- Syntax** MATH:ADDNew <QString>

Related Commands [MATH:LIST?](#)
[MATH:DELeTe](#)

Arguments <QString> is the quoted string specifying the math waveform to add. The argument is of the form "MATH<NR1>", where <NR1> is ≥ 1 .

Examples MATH:ADDNEW "MATH2" adds MATH2.

MATH:DELeTe (No Query Form)

This command deletes the specified math.

Group Math

Syntax MATH:DELeTe <QString>

Related Commands [MATH:ADDNew](#)
[MATH:LIST?](#)

Arguments <QString> is a quoted string specifying the math waveform to delete. The quoted string is of the form "MATH<NR1>", where <NR1> is ≥ 1 .

Examples MATH:DELETE "MATH1", which deletes the MATH1 waveform.

MATH:LIST? (Query Only)

This query returns a comma separated list of all currently defined math waveforms.

Group Math

Syntax MATH:LIST?

Related Commands [MATH:ADDNew](#)
[MATH:DELeTe](#)

Returns All currently defined math waveforms.

Examples `MATH:LIST?` Might return `:MATH:LIST MATH1,MATH4`, indicating MATH1 and MATH4 are the currently defined math waveforms.

MATH:MATH<x>:ARINC429A:SUPPortedfields

This command sets or queries the field type for the math for the bus source for ARINC429A bus. The math waveform is specified by x.

Group Math

Syntax `MATH:MATH<x>:ARINC429A:SUPPortedfields {DATA}`
`MATH:MATH<x>:ARINC429A:SUPPortedfields?`

Arguments `DATA` sets the field type to `DATA`.

Examples `MATH:MATH2:ARINC429A:SUPPortedfields DATA` sets the field type to `DATA`.

`MATH:MATH2:ARINC429A:SUPPortedfields?` might return `:MATH:MATH2:ARINC429A:SUPPortedfields DATA`, indicating the field type for MATH2 for the bus source for ARINC429A bus is `DATA`.

MATH:MATH<x>:AUDIO:SUPPortedfields

This command sets or queries the field type for the math for the bus source for Audio bus. The math waveform is specified by x.

Group Math

Syntax `MATH:MATH<x>:AUDIO:SUPPortedfields {LChannel|RChannel|TDMChannel}`
`MATH:MATH<x>:AUDIO:SUPPortedfields?`

Arguments `LChannel` sets the field type to `LChannel`.

`RChannel` sets the field type to `RChannel`.

`TDMChannel` sets the field type to `TDMChannel`.

Examples `MATH:MATH2:AUDIO:SUPPortedfields LCHannel` sets the field type to LCHannel.

`MATH:MATH2:AUDIO:SUPPortedfields?` might return
`:MATH:MATH2:AUDIO:SUPPortedfields LCHannel`, indicating
the field type for MATH2 for the bus source for Audio bus is LCHannel.

MATH:MATH<x>:AUTOETHERnet:SUPPortedfields

This command sets or queries the field type for the math for the bus source for AUTOETHERnet bus. The math waveform is specified by x.

Group Math

Syntax `MATH:MATH<x>:AUTOETHERnet:SUPPortedfields`
`{DATA|IPData|TDATA}`
`MATH:MATH<x>:AUTOETHERnet:SUPPortedfields?`

Arguments `DATA` sets the field type to `DATA`.

`IPData` sets the field type to `IPData`.

`TDATA` sets the field type to `TDATA`.

Examples `MATH:MATH2:AUTOETHERnet:SUPPortedfields DATA` sets the field type to `DATA`.

`MATH:MATH2:AUTOETHERnet:SUPPortedfields?` might return
`:MATH:MATH2:AUTOETHERnet:SUPPortedfields DATA`, indicating the field
type for MATH2 for the bus source for AUTOETHERnet bus is `DATA`.

MATH:MATH<x>:AVG:MODE

This command sets or queries the math average mode flag. If the flag is set to 1, math averaging is turned on. The math waveform is specified by x.

Group Math

Syntax `MATH:MATH<x>:AVG:MODE` {<NR1>|OFF|ON}

Related Commands [MATH:MATH<x>:AVG:WEIGHT](#)

Arguments <NR1> = 0 turns off average mode, and any other integer turns on average mode.
OFF turns off average mode.
ON turns on average mode.

Examples MATH:MATH2:AVG:MODE ON sets the average mode on.
MATH:MATH1:AVG:MODE? might return :MATH:MATH1:AVG:MODE 0,
indicating average mode is off.

MATH:MATH<x>:AVG:WEIGHT

This command sets or queries the number of acquisitions at which the averaging algorithm will begin exponential averaging. The math waveform is specified by x.

Group Math

Syntax MATH:MATH<x>:AVG:WEIGHT <NR1>

Related Commands [MATH:MATH<x>:AVG:MODE](#)

Arguments <NR1> is the number of acquisitions at which the averaging algorithm will begin exponential averaging.

Examples MATH:MATH2:AVG:WEIGHT 143 sets the number of acquisitions needed to begin averaging to 20
MATH:MATH3:AVG:WEIGHT? might return :MATH:MATH3:AVG:WEIGHT 20 indicating the number of acquisitions needed to begin averaging is 8.

MATH:MATH<x>:CAN:SUPPORTEDfields

This command sets or queries the field type for the math for the bus source for CAN bus. The math waveform is specified by x.

Group Math

Syntax MATH:MATH<x>:CAN:SUPPORTEDfields {DATA}
MATH:MATH<x>:CAN:SUPPORTEDfields?

Arguments DATA sets the field type to DATA.

Examples MATH:MATH2:CAN:SUPPortedfields DATA sets the field type to DATA.
 MATH:MATH2:CAN:SUPPortedfields? might return
 :MATH:MATH2:CAN:SUPPortedfields DATA, indicating the field
 type for MATH2 for the bus source for CAN bus is DATA.

MATH:MATH<x>:CXPI:SUPPortedfields

This command sets or queries the field type for the math for the bus source for CXPI bus. The math waveform is specified by x.

Group Math

Syntax MATH:MATH<x>:CXPI:SUPPortedfields {DATA}
 MATH:MATH<x>:CXPI:SUPPortedfields?

Arguments DATA sets the field type to DATA.

Examples MATH:MATH2:CXPI:SUPPortedfields DATA sets the field type to DATA.
 MATH:MATH2:CXPI:SUPPortedfields? might return
 :MATH:MATH2:CXPI:SUPPortedfields DATA, indicating the field
 type for MATH2 for the bus source for CXPI bus is DATA.

MATH:MATH<x>:DEFine

This command allows you to define new waveforms using mathematical expressions. The query form of this command returns the math definition for the specified math waveform. The math waveform is specified by x.

You can specify a math expression from waveforms, measurements and scalar sources, functions, operands, and numerical constants.

Math expressions can be simple, such as Ch1, which specifies that a waveform should show the signal source of Channel 1 with no mathematical computation. Math expressions can also be complex, consisting of 100 plus characters and comprising many sources (including other math waveforms), functions, and operands. As an example, you can enter the expression Log(Ch1+Ch2), which specifies that the signals from channels 1 and 2 are to be algebraically added, and the base 10 log of the sum is to be shown as the final math waveform.

Group	Math
Syntax	MATH:MATH<x>:DEFine <QString> MATH:MATH<x>:DEFine?
Arguments	<QString> quoted string argument is the mathematical expression that defines the waveform. MATH:MATH<x>:DEFINE? is for use when the MATH:MATH<x>:TYPE is ADVANCED.
Examples	MATH:MATH2:DEFine "CH1+CH2" adds the Channel 1 and Channel 2, defines the Math2 waveform to be Channel1 and Channel2 added together. MATH:MATH1:DEFine? might return :MATH:MATH1:DEFine "CH2*REF2" as the expression that defines Math 1 waveform.

MATH:MATH<x>:ESPI:SUPPortedfields

This command sets or queries the field type for the math for the bus source for ESPI bus. The math waveform is specified by x.

Group	Math
Syntax	MATH:MATH<x>:ESPI:SUPPortedfields {DATA CDATA RDATA} MATH:MATH<x>:ESPI:SUPPortedfields?
Arguments	DATA sets the field type to DATA. CDATA sets the field type to CDATA. RDATA sets the field type to RDATA.
Examples	MATH:MATH2:ESPI:SUPPortedfields DATA sets the field type to DATA. MATH:MATH2:ESPI:SUPPortedfields? might return :MATH:MATH2:ESPI:SUPPortedfields DATA, indicating the field type for MATH2 for the bus source for ESPI bus is DATA.

MATH:MATH<x>:ETHERCAT:SUPPortedfields

This command sets or queries the field type for the math for the bus source for ETHERCAT bus. The math waveform is specified by x.

Group	Math
Syntax	MATH:MATH<x>:ETHERCAT:SUPPortedfields {DATA SDATA NWVariabledata} MATH:MATH<x>:ETHERCAT:SUPPortedfields?
Arguments	DATA sets the field type to DATA. SDATA sets the field type to SDATA. NWVariabledata sets the field type to NWVariabledata.
Examples	MATH:MATH2:ETHERCAT:SUPPortedfields DATA sets the field type to DATA. MATH:MATH2:ETHERCAT:SUPPortedfields? might return :MATH:MATH2:ETHERCAT:SUPPortedfields DATA, indicating the field type for MATH2 for the bus source for ETHERCAT bus is DATA.

MATH:MATH<x>:ETHERnet:SUPPortedfields

This command sets or queries the field type for the math for the bus source for ETHERnet bus. The math waveform is specified by x.

Group	Math
Syntax	MATH:MATH<x>:ETHERnet:SUPPortedfields {DATA IPData TDATA} MATH:MATH<x>:ETHERnet:SUPPortedfields?
Arguments	DATA sets the field type to DATA. IPData sets the field type to IPData. TDATA sets the field type to TDATA.
Examples	MATH:MATH2:ETHERnet:SUPPortedfields DATA sets the field type to DATA. MATH:MATH2:ETHERnet:SUPPortedfields? might return :MATH:MATH2:ETHERnet:SUPPortedfields DATA, indicating the field type for MATH2 for the bus source for ETHERnet bus is DATA.

MATH:MATH<x>:EUSB:SUPPortedfields

This command sets or queries the field type for the math for the bus source for EUSB bus. The math waveform is specified by x.

Group	Math
Syntax	MATH:MATH<x>:EUSB:SUPPortedfields {DATA DDATA} MATH:MATH<x>:EUSB:SUPPortedfields?
Arguments	DATA sets the field type to DATA. DATA field can be set when eUSB Bus configuration for Speed is set to High and Signal type is Diff. DDATA sets the field type to DDATA.
Examples	MATH:MATH2:EUSB:SUPPortedfields DATA sets the field type to DATA. MATH:MATH2:EUSB:SUPPortedfields? might return :MATH:MATH2:EUSB:SUPPortedfields DATA, indicating the field type for MATH2 for the bus source for EUSB bus is DATA.

MATH:MATH<x>:FILTer:CFReq

This command sets or queries the filter cutoff frequency. The math waveform is specified by x.

Conditions	Requires UDFLT licenses on 5, 6 series MSO instruments and Tekscope (Offline).
Group	Math
Syntax	MATH:MATH<x>:FILTer:CFReq <NR3> MATH:MATH<x>:FILTer:CFReq?
Arguments	<NR3> sets the filter cutoff frequency.
Examples	MATH:MATH1:FILTer:CFReq 312.5E+9 sets the filter cutoff frequency to 312.5E+9. MATH:MATH1:FILTer:CFReq? might return :MATH:MATH1:FILTer:CFReq 312.5E+9, indicating the filter cutoff frequency is 312.5E+9.

MATH:MATH<x>:FILTer:DELAy

This command sets or queries the delay for all pass filter. The math waveform is specified by x.

Conditions Requires UDFLT licenses on 5, 6 series MSO instruments and Tekscope (Offline).

Group Math

Syntax MATH:MATH<x>:FILTer:DELAy <NR3>
MATH:MATH<x>:FILTer:DELAy?

Arguments <NR3> sets the delay for all pass filter.

Examples MATH:MATH1:FILTer:DELAy 200E-6 sets the delay for all pass filter to 200E-6.
MATH:MATH1:FILTer:DELAy? might return :MATH:MATH1:FILTer:DELAy 200E-6, indicating the delay for all pass filter is 200E-6.

MATH:MATH<x>:FILTer:DESIgn (No Query Form)

This command performs filter specific Apply, Abort, and Generate operations. The math waveform is specified by x.

Conditions Requires UDFLT licenses on 5, 6 series MSO instruments and Tekscope (Offline).

Group Math

Syntax MATH:MATH<x>:FILTer:DESIgn {EXECUTE|ABORT|APPLY}

Arguments EXECUTE executes filter file creation.
APPLY applies the filter definition on the Math waveform.
ABORT aborts the filter execution.

Examples MATH:MATH1:FILTer:DESIgn EXECUTE executes filter file creation.

MATH:MATH<x>:FILTer:HCFReq

This command sets or queries the high cutoff frequency for bandpass or band stop filter. The math waveform is specified by x.

Conditions Requires UDFLT licenses on 5, 6 series MSO instruments and Tekscope (Offline).

Group Math

Syntax MATH:MATH<x>:FILTer:HCFReq <NR3>
MATH:MATH<x>:FILTer:HCFReq?

Arguments <NR3> sets the high cutoff frequency for bandpass or band stop filter.

Examples MATH:MATH1:FILTer:HCFReq 1.25E+9 sets the high cutoff frequency for bandpass or band stop filter to 1.25E+9.

MATH:MATH1:FILTer:HCFReq? might return :MATH:MATH1:FILTer:HCFReq 1.25E+9, indicating the high cutoff frequency for bandpass or band stop filter is 1.25E+9.

MATH:MATH<x>:FILTer:INFo? (Query Only)

This command returns filter information output when the user creates a filter. The math waveform is specified by x.

Conditions Requires UDFLT licenses on 5, 6 series MSO instruments and Tekscope (Offline).

Group Math

Syntax MATH:MATH<x>:FILTer:INFo?

Returns Returns a filter information message.

Examples MATH:MATH1:FILTer:INFo? might return :MATH:MATH1:FILTer:INFo "Info:Filter is valid for these sample rates 2.5 kS/s - 12.5 kS/s", indicating the filter information message is "Filter is valid for these sample rates 2.5 kS/s - 12.5 kS/s".

MATH:MATH<x>:FILTER:LCFReq

This command sets or queries the low cutoff frequency for bandpass or band stop filter. The math waveform is specified by x.

Conditions Requires UDFLT licenses on 5, 6 series MSO instruments and Tekscope (Offline).

Group Math

Syntax MATH:MATH<x>:FILTER:LCFReq <NR3>
MATH:MATH<x>:FILTER:LCFReq?

Arguments <NR3> sets the low cutoff frequency for bandpass or band stop filter.

Examples MATH:MATH1:FILTER:LCFReq 500E+6 sets the low cutoff frequency for bandpass or band stop filter to 500E+6.

MATH:MATH1:FILTER:LCFReq? might return :MATH:MATH1:FILTER:LCFReq 500E+6, indicating the low cutoff frequency for bandpass or band stop filter is 500E+6.

MATH:MATH<x>:FILTER:LOAD (No Query Form)

This command loads the filter file. The math waveform is specified by x.

Conditions Requires UDFLT licenses on 5, 6 series MSO instruments and Tekscope (Offline).

Group Math

Syntax MATH:MATH<x>:FILTER:LOAD <QString>

Arguments <QString> sets the path to the filter file to load. Linux default location is C:\. Windows default location is C:\Users\Public\Tektronix\TekScope\Filters.

Examples MATH:MATH1:FILTER:LOAD "C:/Users/filterCoeff.flr" loads filter file filterCoeff.flr from the specified location.

MATH:MATH<x>:FILTer:LOAD:RESPonse

This command will load the filter responses and automatically apply filter option. The math waveform is specified by x.

Conditions Requires UDFLT licenses on 5, 6 series MSO instruments and Tekscope (Offline).

Group Math

Syntax MATH:MATH<x>:FILTer:LOAD:RESPonse {1|0}
MATH:MATH<x>:FILTer:LOAD:RESPonse?

Arguments 1 enables recall of filter response image.
0 disables recall of filter response image.

Examples MATH:MATH1:FILTer:LOAD:RESPonse 1 enables recall of filter response image.
MATH:MATH1:FILTer:LOAD:RESPonse? might return
:MATH:MATH1:FILTer:LOAD:RESPonse 1, indicating the recall of filter response image is enabled.

MATH:MATH<x>:FILTer:ORDER

This command sets or queries the filter order. The math waveform is specified by x.

Conditions Requires UDFLT licenses on 5, 6 series MSO instruments and Tekscope (Offline).

Group Math

Syntax MATH:MATH<x>:FILTer:ORDER <NR1>
MATH:MATH<x>:FILTer:ORDER?

Arguments <NR1> sets the filter order.

Examples `MATH:MATH1:FILTer:ORDer 2` sets the filter order to 2.

`MATH:MATH1:FILTer:ORDer?` might return `:MATH:MATH1:FILTer:ORDer 2`, indicating the filter order is 2.

MATH:MATH<x>:FILTer:PRIPple

This command sets or queries the pass band ripple in the filter response. The math waveform is specified by x.

Conditions Requires UDFLT licenses on 5, 6 series MSO instruments and Tekscope (Offline).

Group Math

Syntax `MATH:MATH<x>:FILTer:PRIPple <NR3>`
`MATH:MATH<x>:FILTer:PRIPple?`

Arguments `<NR3>` sets the pass band ripple in the filter response.

Examples `MATH:MATH1:FILTer:PRIPple 5.0000` sets the pass band ripple in the filter response to 5.0000.

`MATH:MATH1:FILTer:PRIPple?` might return `:MATH:MATH1:FILTer:PRIPple 5.0000`, indicating the pass band ripple in the filter response is 5.0000.

MATH:MATH<x>:FILTer:RESPonse

This command will load the filter responses and automatically apply filter option. The math waveform is specified by x.

Conditions Requires UDFLT licenses on 5, 6, 6B series MSO instruments and Tekscope (Offline).

Group Math

Syntax `MATH:MATH<x>:FILTer:RESPonse {BUTTerworth| CHEBYOne| CHEBYTwo| ELLiptical| GAUSSian| BESSElCUSTOM}`
`MATH:MATH<x>:FILTer:RESPonse?`

Arguments	<p>BUTTerworth specifies the filter response as BUTTernworth.</p> <p>CHEBYONE specifies the filter response as CHEBYONE.</p> <p>CHEBYTWO specifies the filter response as CHEBYTWO.</p> <p>ELLiptical specifies the filter response as ELLiptical.</p> <p>GAUSSian specifies the filter response as GAUSSian.</p> <p>BESSElCUSTOm specifies the filter response as BESSelCUSTOm.</p>
Examples	<p>MATH:MATH1:FILTer:RESPonse ELLiptical sets the filter response to ELLiptical.</p> <p>MATH:MATH1:FILTer:RESPonse? might return :MATH:MATH1:FILTer:RESPonse ELLiptical, indicating the filter response is ELLiptical.</p>

MATH:MATH<x>:FILTer:ROFactor

This command sets or queries roll off factor for raised cosine or root raised cosine filter. The math waveform is specified by x.

Conditions	Requires UDFLT licenses on 5, 6 series MSO instruments and Tekscope (Offline).
Group	Math
Syntax	<p>MATH:MATH<x>:FILTer:ROFactor <NR1></p> <p>MATH:MATH<x>:FILTer:ROFactor?</p>
Arguments	<NR1> specifies the Roll-off Factor value for Rasied-Cosine(RC) filter type.
Examples	<p>MATH:MATH1:FILTer:ROFactor 1 sets the Roll-off Factor value as 1.</p> <p>MATH:MATH1:FILTer:ROFactor? might return :MATH:MATH1:FILTer:ROFactor 1, indicating the Roll-off Factor value is 1.</p>

MATH:MATH<x>:FILTer:SATTenuation

This command sets or queries the stop band attenuation in the filter response. The math waveform is specified by x.

Conditions	Requires UDFLT licenses on 5, 6 series MSO instruments and Tekscope (Offline).
Group	Math
Syntax	MATH:MATH<x>:FILTer:SATTenuation <NR3> MATH:MATH<x>:FILTer:SATTenuation?
Arguments	<NR3> sets the stop band attenuation in the filter response.
Examples	MATH:MATH1:FILTer:SATTenuation 10.0000 sets the stop band attenuation in the filter response to 10.0000. MATH:MATH1:FILTer:SATTenuation? might return :MATH:MATH1:FILTer:SATTenuation 10.0000, indicating the stop band attenuation in the filter response is 10.0000.

MATH:MATH<x>:FILTer:SAVe

This command saves the filter file. The math waveform is specified by x.

Conditions	Requires UDFLT licenses on 5, 6 series MSO instruments and Tekscope (Offline).
Group	Math
Syntax	MATH:MATH<x>:FILTer:SAVe <QString>
Arguments	<QString> saves the created filter in .flt format to the specified save location.
Examples	MATH:MATH1:FILTer:SAVe "LowPassButterworth" saves the LowPassButterworth.flt filter to the specified save location.

MATH:MATH<x>:FILTer:SAVe:RESPonse

This command set the filter response images to be saved while saving the filter file. The math waveform is specified by x.

Conditions	Requires UDFLT licenses on 5, 6 series MSO instruments and Tekscope (Offline).
-------------------	--------------------------------------------------------------------------------

Group	Math
Syntax	MATH:MATH<x>:FILTer:SAVe:RESPOne {1 0} MATH:MATH<x>:FILTer:SAVe:RESPOne?
Arguments	1 enables the save of the filter response image. 0 disables the save of the filter response image. This is the default value.
Examples	MATH:MATH1:FILTer:SAVe:RESPOne 1 enables the save of the filter response image. MATH:MATH1:FILTer:SAVe:RESPOne? might return :MATH:MATH1:FILTer:SAVe:RESPOne 1, indicating the save of the filter response image is enabled.

MATH:MATH<x>:FILTer:SDEviation

This command sets or queries the standard deviation in Gaussian filter. The math waveform is specified by x.

Conditions	Requires UDFLT licenses on 5, 6 series MSO instruments and Tekscope (Offline).
Group	Math
Syntax	MATH:MATH<x>:FILTer:SDEviation <NR3> MATH:MATH<x>:FILTer:SDEviation?
Arguments	<NR3> sets the standard deviation in gaussian filter.
Examples	:MATH:MATH1:FILTer:SDEviation 15 sets the standard deviation in gaussian filter to 15. MATH:MATH1:FILTer:SDEviation? might return :MATH:MATH1:FILTer:SDEviation 15, indicating the standard deviation in gaussian filter is 15.

MATH:MATH<x>:FILTer:SDURation

This command sets or queries the symbol duration for raised cosine or root raised cosine filter. The math waveform is specified by x.

Conditions	Requires UDFLT licenses on 5, 6 series MSO instruments and Tekscope (Offline).
Group	Math
Syntax	MATH:MATH<x>:FILTer:SDURation <NR3> MATH:MATH<x>:FILTer:SDURation?
Arguments	<NR3> specifies the number of symbol duration for Root-Raised-Cosine (RRC) filter type.
Examples	:MATH:MATH1:FILTer:SDURation 10.0000E-9 sets the number of symbol duration for Root-Raised-Cosine (RRC) filter type to 10.0000E-9. MATH:MATH1:FILTer:SDURation? might return ::MATH:MATH1:FILTer:SDURation 10.0000E-9, indicating the number of symbol duration for Root-Raised-Cosine (RRC) filter type is 10.0000E-9. .

MATH:MATH<x>:FILTer:SOURce

This command sets or queries the math waveform filter source. The math waveform and source are specified by x.

Conditions	Requires UDFLT licenses on 5, 6 series MSO instruments and Tekscope (Offline).
Group	Math
Syntax	MATH:MATH<x>:FILTer:SOURce {CH<x> MATH<x> REF<x>} MATH:MATH<x>:FILTer:SOURce?
Arguments	CH<x> specifies an analog channel as source. MATH<x> specifies a math channel as source. REF<x> specifies a reference waveform as the source.
Examples	MATH:MATH2:FILTer:SOURce CH1 sets the filter source of Math 2 to Channel 1. MATH:MATH3:FILTer:SOURce? might return :MATH:MATH3:FILTer:SOURce REF3 indicating the filter source of Math 3 is Ref 3.

MATH:MATH<x>:FILTer:SYMBols

This command sets or queries the symbol for raised cosine or root raised cosine filter. The math waveform is specified by x.

Conditions	Requires UDFLT licenses on 5, 6 series MSO instruments and Tekscope (Offline).
Group	Math
Syntax	MATH:MATH<x>:FILTer:SYMBols <NR1> MATH:MATH<x>:FILTer:SYMBols?
Arguments	<NR1> specifies the number of symbols for Raised-Cosine (RC) filter type.
Examples	MATH:MATH1:FILTer:SYMBols 2 sets the number of symbols for Raised-Cosine (RC) filter type to 2. MATH:MATH1:FILTer:SYMBols? might return :MATH:MATH1:FILTer:SYMBols 2, indicating the number of symbols for Raised-Cosine (RC) filter type is 2.

MATH:MATH<x>:FILTer:TWIDth

This command sets or queries the filter Transition Width for Custom filter response. The math waveform is specified by x.

Conditions	Requires UDFLT licenses on 5, 6 series MSO instruments and Tekscope (Offline).
Group	Math
Syntax	MATH:MATH<x>:FILTer:TWIDth <NR3> MATH:MATH<x>:FILTer:TWIDth?
Arguments	<NR3> specifies the Transition Width for Custom filter response.
Examples	MATH:MATH1:FILTer:TWIDth 1 sets the Transition Width for Custom filter response to 2. MATH:MATH1:FILTer:TWIDth? might return :MATH:MATH1:FILTer:TWIDth 2, indicating the Transition Width for Custom filter response is 1.

MATH:MATH<x>:FILTER:TYPE

This command specifies or queries the filter type. The math waveform is specified by *x*.

Conditions	Requires UDFLT licenses on 5, 6, 6B series MSO instruments and Tekscope (Offline).
Group	Math
Syntax	MATH:MATH<x>:FILTER:TYPE {LPASS HPASS BPASS BSTop APASS HILbert DIFFerentiator RC RRC} MATH:MATH<x>:FILTER:TYPE?
Arguments	<p>LPASS specifies the filter type as LPASSs.</p> <p>HPASS specifies the filter type as HPASSs.</p> <p>BPASS specifies the filter type as BPASSs.</p> <p>BSTop specifies the filter type as BSTop.</p> <p>APASS specifies the filter type as APASSs.</p> <p>HILbert specifies the filter type as HILbert.</p> <p>DIFFerentiator specifies the filter type as DIFFerentiator.</p> <p>RC specifies the filter type as RC.</p> <p>RRC specifies the filter type as RRC.</p>
Examples	<p>MATH:MATH1:FILTER:TYPE LPASS sets the filter type to LPASSs.</p> <p>MATH:MATH1:FILTER:TYPE? might return :MATH:MATH1:FILTER:TYPE LPASS, indicating the filter type is LPASSs.</p>

MATH:MATH<x>:FLEXray:SUPPortedfields

This command sets or queries the field type for the math for the bus source for FLEXray bus. The math waveform is specified by *x*.

Group	Math
Syntax	MATH:MATH<x>:FLEXray:SUPPortedfields {DATA} MATH:MATH<x>:FLEXray:SUPPortedfields?

- Arguments** `DATA` sets the field type to `DATA`.
- Examples** `MATH:MATH2:FLEXray:SUPPortedfields DATA` sets the field type to `DATA`.
`MATH:MATH2:FLEXray:SUPPortedfields?` might return
`:MATH:MATH2:FLEXray:SUPPortedfields DATA`, indicating the field type
for `MATH2` for the bus source for `FLEXray` bus is `DATA`.

MATH:MATH<x>:FUNctIon

This command sets or queries the basic math arithmetic function. The math waveform is specified by `x`.

NOTE. *This command does not affect the same Math equation in Advanced math (also accessed via the command `MATH:MATH<x>:DEFINE`).*

- Group** Math
- Syntax** `MATH:MATH<x>:FUNctIon {ADD|SUBtract|MULtIply|DIVide}`
- Arguments** `ADD` sets the basic math function to add.
`SUBtract` sets the basic math function to subtract.
`MULtIply` sets the basic math function to multiply.
`DIVide` sets the basic math function to divide.
- Examples** `MATH:MATH2:FUNCTION MULTIPLY` sets the basic math function to multiply.
`MATH:MATH1:FUNCTION?` might return `:MATH:MATH1:FUNCTION ADD`
indicating the current basic math function is addition.

MATH:MATH<x>:I2C:SUPPortedfields

This command sets or queries the field type for the math for the bus source for I2C bus. The math waveform is specified by `x`.

- Group** Math
- Syntax** `MATH:MATH<x>:I2C:SUPPortedfields {DATA}`
`MATH:MATH<x>:I2C:SUPPortedfields?`

Arguments DATA sets the field type to DATA.

Examples MATH:MATH2:I2C:SUPPortedfields DATA sets the field type to DATA.
 MATH:MATH2:I2C:SUPPortedfields? might return
 :MATH:MATH2:I2C:SUPPortedfields DATA, indicating the field
 type for MATH2 for the bus source for I2C bus is DATA.

MATH:MATH<x>:I3C:SUPPortedfields

This command sets or queries the field type for the math for the bus source for I3Cbus. The math waveform is specified by x.

Group Math

Syntax MATH:MATH<x>:I3C:SUPPortedfields {DATA}
 MATH:MATH<x>:I3C:SUPPortedfields?

Arguments DATA sets the field type to DATA.

Examples MATH:MATH2:I3C:SUPPortedfields DATA sets the field type to DATA.
 MATH:MATH2:I3C:SUPPortedfields? might return
 :MATH:MATH2:I3C:SUPPortedfields DATA, indicating the field
 type for MATH2 for the bus source for I3Cbus is DATA.

MATH:MATH<x>:INTERpolation

This command sets or queries whether sinc interpolation is enabled for math on bus source. The math waveform is specified by x.

Group Math

Syntax MATH:MATH<x>:INTERpolation {ON|OFF}

Arguments ON indicates that the sinc interpolation is used for math waveform.
 OFF indicates no interpolation is used for math waveform. Waveform will appear “stair-steppy” in this case.

Examples `MATH:MATH2:INTERpolation ON` enables sinc interpolation.
`MATH:MATH1:INTERpolation?` might return `:MATH:MATH1:INTERpolation ON` indicating that the sinc interpolation is used for math waveform.

MATH:MATH<x>:GATing

This command specifies or returns the gating setting. It only applies to Math FFT plots. The math waveform is specified by x.

Group Math

Syntax `MATH:MATH<x>:GATing {NONE|SCREEN|CURSOR}`
`MATH:MATH<x>:GATing?`

Related Commands [MATH:MATH<x>:TYPE](#)

Arguments NONE turns off math gating.
SCREEN turns on gating, using the left and right edges of the screen.
CURSOR limits math to the portion of the waveform between the vertical bar cursors, even if they are off screen.

Examples `MATH:MATH3:GATING CURSOR` sets the spectral math plot to be gated by the cursors.
`MATH:MATH2:GATING?` might return `:MATH:MATH:2:GATING SCREEN` which indicates the spectral math plot is gated by the screen.

MATH:MATH<x>:LABel:COLor

This command sets or queries color of the specified math's label. The math waveform is specified by x.

Group Math

Syntax `MATH:MATH<x>:LABel:COLor <QString>`

Arguments <QString> is the color of the label. To return the color to the default color, send an empty string as in this example: `:MATH:MATH1:LABel:COLOR ""`.

Examples `MATH:MATH3:LABEL:COLOR "GREEN"` sets the Math 3 label color to green.
`MATH:MATH1:LABEL:COLOR?` might return `:MATH:MATH1:LABEL:COLOR "BLUE"` indicating the color of the Math1 label is blue.

MATH:MATH<x>:LABel:FONT:BOLD

This command sets or queries the bold state of the specified math label. The math waveform is specified by x.

Group Math

Syntax `MATH:MATH<x>:LABel:FONT:BOLD {<NR1>|OFF|ON}`

Arguments `<NR1> = 0` turns off bold, and any other integer turns on bold.
`OFF` turns off bold.
`ON` turns on bold.

Examples `MATH:MATH3:FONT:BOLD ON` set the math 3 label to bold.
`MATH:MATH2:FONT:BOLD?` might return `:MATH:MATH2:FONT:BOLD 0` indicating the math 2 label is not currently bold.

MATH:MATH<x>:LABel:FONT:ITALic

This command sets or queries italic state of the specified math label. The math waveform is specified by x.

Group Math

Syntax `MATH:MATH<x>:LABel:FONT:ITALic {<NR1>|OFF|ON}`

Arguments `<NR1> = 0` turns off italic, and any other integer turns on italic.
`OFF` turns off italic.
`ON` turns on italic.

Examples `MATH:MATH4:FONT:ITALIC ON` set the math 4 label to be italic.
`MATH:MATH1:FONT:ITALIC?` might return `:MATH:MATH1:FONT:ITALIC 0` indicating the math 1 label is not currently italic.
`<NR1>` is the font size of the label.

MATH:MATH<x>:LABel:FONT:SIZE

This command sets or queries font size of the specified math label. The math waveform is specified by x.

Group Math

Syntax `MATH:MATH<x>:LABel:FONT:SIZE <NR1>`

Arguments `<NR1>` sets the label size in points.

Examples `MATH:MATH4:LABEL:FONT:SIZE 32` sets the math 4 label size to 32.
`MATH:MATH2:LABEL:FONT:SIZE?` might return
`:MATH:MATH2:LABEL:FONT:SIZE 14` indicating the math 2 label size is currently 14.

MATH:MATH<x>:LABel:FONT:TYPE

This command sets or queries font type of the specified math label, such as Arial or Times New Roman. The math waveform is specified by x.

Group Math

Syntax `MATH:MATH<x>:LABel:FONT:TYPE <QString>`

Arguments `<QString>` is the name of the font type.

Examples `MATH:MATH2:LABEL:FONT:TYPE "Serif"` sets the math 2 label font type to Serif.
`MATH:MATH3:LABEL:FONT:TYPE?` might return
`:MATH:MATH3:LABEL:FONT:TYPE "Monospace"` indicating the math 3 font type is currently Monospace.

MATH:MATH<x>:LABel:FONT:UNDERline

This command sets or queries the underline state of the specified math label. The math waveform is specified by x.

Group	Math
Syntax	MATH:MATH<x>:LABel:FONT:UNDERline {<NR1> OFF ON}
Arguments	<NR1> = 0 turns off underline, and any other integer turns on underline. OFF turns off underline. ON turns on underline.
Examples	MATH:MATH3:FONT:UNDERLINE ON sets the math 3 label to be underlined. MATH:MATH2:FONT:UNDERLINE? might return :MATH:MATH2:FONT:UNDERLINE 0 indicating the math 2 label is currently not underlined.

MATH:MATH<x>:LABel:NAME

This command sets or queries the label string, which is used for annotating the math waveform on the screen. The math waveform to which the label is attached is specified by x.

Group	Math
Syntax	MATH:MATH<x>:LABel:NAME <QString> MATH:MATH<x>:LABel:NAME?
Arguments	<QString> specifies the label to annotate the math waveform.
Examples	MATH:MATH2:LABel:NAME "PROBE POINT7" assigns "Probe point7" Math 2 waveform. MATH:MATH2:LABel:NAME? might return :MATH:MATH2:LABel:NAME "Probe point7", indicating that Probe point 7 is the label for the Math 2 waveform.

MATH:MATH<x>:LABel:XPOS

This command sets or queries the X position of the specified math label. Maths are specified by x.

Group Math

Syntax MATH:MATH<x>:LABel:XPOS <NR1>
MATH:MATH<x>:LABel:XPOS?

Related Commands [MATH:MATH<x>:LABel:YPOS](#)

Arguments <NR1> is the location (in pixels) where the label for the selected math waveform is displayed, relative to the left edge of the display.

Examples MATH:MATH2:LABel:XPOS 5 moves the waveform label for the Math 2 waveform so that it begins 5 pixels to the right of the left edge of the screen.

MATH:MATH2:LABel:XPOS? might return :MATH:MATH2:LABel:XPOS 2.5, indicating that the waveform label for the Math 2 waveform is currently 2.5 pixels to the right of the left edge of the display.

MATH:MATH<x>:LABel:YPOS

This command sets or queries the y-position of the specified math label. The Math waveform is specified by x.

Group Math

Syntax MATH:MATH<x>:LABel:YPOS <NR1>
MATH:MATH<x>:LABel:YPOS?

Related Commands [MATH:MATH<x>:LABel:XPOS](#)

Arguments <NR1> is the location (in pixels) where the label for the selected math waveform is displayed, relative to the baseline of the waveform.

Examples MATH:MATH2:LABel:YPOS -2.5 moves the waveform label for the Math 2 waveform to 2.5 pixels below the baseline of the waveform.

MATH:MATH2:LABEL:YPOS? might return :MATH:MATH2:LABEL:YPOS 0, indicating that the waveform label for the Math 2 waveform is currently located at the baseline of the waveform.

MATH:MATH<x>:LIN:SUPPortedfields

This command sets or queries the field type for the math for the bus source for LIN bus. The math waveform is specified by x.

Group	Math
Syntax	MATH:MATH<x>:LIN:SUPPortedfields {DATA} MATH:MATH<x>:LIN:SUPPortedfields?
Arguments	DATA sets the field type to DATA.
Examples	MATH:MATH2:LIN:SUPPortedfields DATA sets the field type to DATA. MATH:MATH2:LIN:SUPPortedfields? might return :MATH:MATH2:LIN:SUPPortedfields DATA, indicating the field type for MATH2 for the bus source for LIN bus is DATA.

MATH:MATH<x>:MDIO:SUPPortedfields

This command sets or queries the field type for the math for the bus source for MDIO bus. The math waveform is specified by x.

Group	Math
Syntax	MATH:MATH<x>:MDIO:SUPPortedfields {DATA} MATH:MATH<x>:MDIO:SUPPortedfields?
Arguments	DATA sets the field type to DATA.
Examples	MATH:MATH2:MDIO:SUPPortedfields DATA sets the field type to DATA. MATH:MATH2:MDIO:SUPPortedfields? might return :MATH:MATH2:MDIO:SUPPortedfields DATA, indicating the field type for MATH2 for the bus source for MDIO bus is DATA.

MATH:MATH<x>:MIL1553B:SUPPortedfields

This command sets or queries the field type for the math for the bus source for MIL1553B bus. The math waveform is specified by x.

Group Math

Syntax MATH:MATH<x>:MIL1553B:SUPPortedfields {DATA|PAYLoad}
MATH:MATH<x>:MIL1553B:SUPPortedfields?

Arguments DATA sets the field type to DATA.
PAYLoad sets the field type to PAYLoad.

Examples MATH:MATH2:MIL1553B:SUPPortedfields DATA sets the field type to DATA.
MATH:MATH2:MIL1553B:SUPPortedfields? might return
:MATH:MATH2:MIL1553B:SUPPortedfields DATA, indicating the field type
for MATH2 for the bus source for MIL1553B bus is DATA.

MATH:MATH<x>:ONEWIRE:SUPPortedfields

This command sets or queries the field type for the math for the bus source for ONEWIRE bus. The math waveform is specified by x.

Group Math

Syntax MATH:MATH<x>:ONEWIRE:SUPPortedfields {DATA}
MATH:MATH<x>:ONEWIRE:SUPPortedfields?

Arguments DATA sets the field type to DATA.

Examples MATH:MATH2:ONEWIRE:SUPPortedfields DATA sets the field type to DATA.
MATH:MATH2:ONEWIRE:SUPPortedfields? might return
:MATH:MATH2:ONEWIRE:SUPPortedfields DATA, indicating the field type
for MATH2 for the bus source for ONEWIRE bus is DATA.

MATH:MATH<x>:PARAllel:SUPPortedfields

This command sets or queries the field type for the math for the bus source for PARAllel bus. The math waveform is specified by x.

Group	Math
Syntax	MATH:MATH<x>:PARAllel:SUPPortedfields {DATA} MATH:MATH<x>:PARAllel:SUPPortedfields?
Arguments	DATA sets the field type to DATA.
Examples	MATH:MATH2:PARAllel:SUPPortedfields DATA sets the field type to DATA. MATH:MATH2:PARAllel:SUPPortedfields? might return :MATH:MATH2:PARAllel:SUPPortedfields DATA, indicating the field type for MATH2 for the bus source for PARAllel bus is DATA.

MATH:MATH<x>:PSIFIVE:SUPPortedfields

This command sets or queries the field type for the math for the bus source for PSIFIVE bus. The math waveform is specified by x.

Group	Math
Syntax	MATH:MATH<x>:PSIFIVE:SUPPortedfields {DATA DRA DRB SDATA} MATH:MATH<x>:PSIFIVE:SUPPortedfields?
Arguments	DATA sets the field type to DATA. DRA sets the field type to DRA. DRB sets the field type to DRB. SDATA sets the field type to SDATA.
Examples	MATH:MATH2:PSIFIVE:SUPPortedfields DATA sets the field type to DATA. MATH:MATH2:PSIFIVE:SUPPortedfields? might return :MATH:MATH2:PSIFIVE:SUPPortedfields DATA, indicating the field type for MATH2 for the bus source for PSIFIVE bus is DATA.

MATH:MATH<x>:RS232C:SUPPortedfields

This command sets or queries the field type for the math for the bus source for RS232C bus. The math waveform is specified by x.

Group	Math
Syntax	MATH:MATH<x>:RS232C:SUPPortedfields {DATA TXData RXData} MATH:MATH<x>:RS232C:SUPPortedfields?
Arguments	<p>DATA sets the field type to DATA.</p> <p>TXData sets the field type to TXData. TXData field can be set when RS232 Bus configuration for Data Inputs is set to Two.</p> <p>RXData sets the field type to RXData. RXData field can be set when RS232 Bus configuration for Data Inputs is set to Two.</p>
Examples	<p>MATH:MATH2:RS232C:SUPPortedfields DATA sets the field type to DATA.</p> <p>MATH:MATH2:RS232C:SUPPortedfields? might return :MATH:MATH2:RS232C:SUPPortedfields DATA, indicating the field type for MATH2 for the bus source for RS232C bus is DATA.</p>

MATH:MATH<x>:SDLC:SUPPortedfields

This command sets or queries the field type for the math for the bus source for SDLC bus. The math waveform is specified by x.

Group	Math
Syntax	MATH:MATH<x>:SDLC:SUPPortedfields {DATA} MATH:MATH<x>:SDLC:SUPPortedfields?
Arguments	DATA sets the field type to DATA.
Examples	<p>MATH:MATH2:SDLC:SUPPortedfields DATA sets the field type to DATA.</p> <p>MATH:MATH2:SDLC:SUPPortedfields? might return :MATH:MATH2:SDLC:SUPPortedfields DATA, indicating the field type for MATH2 for the bus source for SDLC bus is DATA.</p>

MATH:MATH<x>:SENT:SUPPortedfields

This command sets or queries the field type for the math for the bus source for SENT bus. The math waveform is specified by x.

Group	Math
Syntax	MATH:MATH<x>:SENT:SUPPortedfields {FCData FCDFirst FCDTwo SDATa} MATH:MATH<x>:SENT:SUPPortedfields?
Arguments	<p>FCData sets the field type to FCData. FCData field is available to select when SENT Bus configuration for Fast Data Channels is set to 2.</p> <p>FCDFirst sets the field type to FCDFirst.</p> <p>FCDTwo sets the field type to FCDTwo.</p> <p>SDATa sets the field type to SDATa. SDATa is available when SENT Bus configuration for Slow Channel is not None.</p>
Examples	<p>MATH:MATH2:SENT:SUPPortedfields FCData sets the field type to FCData.</p> <p>MATH:MATH2:SENT:SUPPortedfields? might return :MATH:MATH2:SENT:SUPPortedfields FCData, indicating the field type for MATH2 for the bus source for SENT bus is FCData.</p>

MATH:MATH<x>:SIGNeddata

This command sets or queries value to denote that bus field is decoded as signed/unsigned data for math on bus source. The math waveform is specified by x.

Group	Math
Syntax	MATH:MATH<x>:SIGNeddata {ON OFF} MATH:MATH<x>:SIGNeddata?
Arguments	<p>ON indicates that the bus field is decoded as signed data for drawing the math waveform.</p> <p>OFF indicates that the bus field is decoded as unsigned data for drawing the math waveform.</p>

Examples `MATH:MATH2:SIGNEDdata ON` turns on signed data for MATH2 waveform.
`MATH:MATH2:SIGNEDdata?` might return `:MATH:MATH2:SIGNEDdata ON`, indicating that the bus field is decoded as signed data for drawing the math waveform.

MATH:MATH<x>:SMBUS:SUPPortedfields

This command sets or queries the field type for the math for the bus source for SMBUS bus. The math waveform is specified by x.

Group Math

Syntax `MATH:MATH<x>:SMBUS:SUPPortedfields {DATA}`
`MATH:MATH<x>:SMBUS:SUPPortedfields?`

Arguments `DATA` sets the field type to `DATA`.

Examples `MATH:MATH2:SMBUS:SUPPortedfields DATA` sets the field type to `DATA`.
`MATH:MATH2:SMBUS:SUPPortedfields?` might return `:MATH:MATH2:SMBUS:SUPPortedfields DATA`, indicating the field type for MATH2 for the bus source for SMBUS bus is `DATA`.

MATH:MATH<x>:SOURce<x>

This command sets or queries the specified math source. The source in the command can be either 1 or 2. This command sets the Basic Math components in the user interface, with two sources and a function. You would also need to set the math type to Basic to see the change in the user interface but this will not effect the programmable interface. The math waveform and source are specified by x.

Group Math

Syntax `MATH:MATH<x>:SOURce<x> {CH<x>|MATH<x>|REF<x>}`

Related Commands [MATH:MATH<x>:TYPE](#)
[MATH:MATH<x>:FUNCtion](#)

Arguments CH<x> specifies an analog channel as source.
 MATH<x> specifies a math channel as source.
 REF<x> specifies a reference waveform as the source.
 SOURCE<x> specifies the source number. SOURCE1 and SOURCE2 are for use when the MATH:MATH<x>:TYPE is BASIC.

Examples MATH:MATH2:SOURCE1 CH1 sets the first source of math 2 to Channel 1.
 MATH:MATH3:SOURCE2? might return :MATH:MATH3:SOURCE2 REF3 indicating the second source of Math 3 is Ref 3.

MATH:MATH<x>:SPACEWIRE:SUPPortedfields

This command sets or queries the field type for the math for the bus source for SPACEWIRE bus. The math waveform is specified by x.

Group Math

Syntax MATH:MATH<x>:SPACEWIRE:SUPPortedfields {DATA}
 MATH:MATH<x>:SPACEWIRE:SUPPortedfields?

Arguments DATA sets the field type to DATA.

Examples MATH:MATH2:SPACEWIRE:SUPPortedfields DATA sets the field type to DATA.
 MATH:MATH2:SPACEWIRE:SUPPortedfields? might return :MATH:MATH2:SPACEWIRE:SUPPortedfields DATA, indicating the field type for MATH2 for the bus source for SPACEWIRE bus is DATA.

MATH:MATH<x>:SPECTral:HORZ

This command sets or queries the horizontal display scale of the spectral math waveform. The math waveform is specified by x.

Group Math

Syntax MATH:MATH<x>:SPECTral:HORZ {LOG|LINEAR}
 MATH:MATH<x>:SPECTral:HORZ?

Arguments	<p>LINEAR sets the SpectralMag units to linear.</p> <p>LOG sets the SpectralMag units to log.</p>
Examples	<p>MATH:MATH2:SPECTRAL:HORIZ LOG sets the horizontal display scale of the spectral math waveform to log.</p> <p>MATH:MATH3:SPECTRAL:HORIZ? might return :MATH:MATH3:SPECTRAL:HORIZ LINEAR indicating the horizontal display scale of the Math 3 spectral math waveform is currently set to linear.</p>

MATH:MATH<x>:SPECTral:MAG

This command sets or queries the units of the SpectralMag function in the specified math definition string. The Math waveform is specified by x.

Group	Math
Syntax	<p>MATH:MATH<x>:SPECTral:MAG {LINEAR DBM}</p> <p>MATH:MATH<x>:SPECTral:MAG?</p>
Arguments	<p>LINEAR sets the SpectralMag units to linear.</p> <p>DBM sets the SpectralMag units to decibels. It also sets the Ref Level Offset to a value that is the equivalent of 1 mW into 50 Ω.</p>
Examples	<p>MATH:MATH2:SPECTral:MAG DBM sets the SpectralMag units for Math 2 waveform to decibels.</p> <p>MATH:MATH2:SPECTral:MAG? might return :MATH:MATH2:SPECTral:MAG DBM, indicating that the SpectralMag units for Math 2 waveform are set to decibels.</p>

MATH:MATH<x>:SPECTral:PHASE

This command sets or queries the units of a SpectralPhase function in the specified math definition string. The Math waveform is specified by x.

Group	Math
Syntax	<p>MATH:MATH<x>:SPECTral:PHASE {DEGrees RADians GROUPDeLay}</p> <p>MATH:MATH<x>:SPECTral:PHASE?</p>

Arguments `DEGREES` sets the `SpectralPhase` units to degrees.
 `RADIANS` sets the `SpectralPhase` units to radians.
 `GROUPDELAY` sets the `SpectralPhase` units to groupdelay, which computes the derivative of unwrapped phase spectrum. Units are expressed in seconds.

Examples `MATH:MATH2:SPECTRAL:PHASE DEGREES` sets the `SpectralPhase` units for Math 2 waveform to degrees.
 `MATH:MATH2:SPECTRAL:PHASE?` might return
 `:MATH:MATH2:SPECTRAL:PHASE RADIANS`, indicating that the `SpectralPhase` units for Math 2 waveform are set to radians.

MATH:MATH<x>:SPECTRAL:SOURCE

This command sets or queries the specified spectral math source. This only works with a math of type FFT. The math waveform is specified by x. This command is for use when the `MATH:MATH<x>:TYPE` is `FFT`.

Group Math

Syntax `MATH:MATH<x>:SPECTRAL:SOURCE {CH<x>|MATH<x>|REF<x>}`
 `MATH:MATH<x>:SPECTRAL:SOURCE?`

Related Commands [MATH:MATH<x>:TYPE](#)

Arguments `CH<x>` specifies an analog channel as source.
 `MATH<x>` specifies a math channel as source.
 `REF<x>` specifies a reference waveform as the source.

Examples `MATH:MATH3:SPECTRAL:SOURCE REF3` sets the source of the Spectral Math waveform to Ref 3.
 `MATH:MATH2:SPECTRAL:SOURCE?` might return
 `:MATH:MATH2:SPECTRAL:SOURCE CH4` indicating the Math 2 spectral source is Channel 4.

MATH:MATH<x>:SPECTral:SUPPress

This command sets or queries whether suppression threshold for the specified math waveform is enabled. This is only applied when Spectral Plot type is Phase. The math waveform is specified by x.

Group Math

Syntax MATH:MATH<x>:SPECTral:SUPPress {OFF|ON|0|1}
MATH:MATH<x>:SPECTral:SUPPress?

Related Commands [MATH:MATH<x>:SPECTral:TYPE](#)

Arguments 0 disables suppression threshold for the specified math waveform.
1 enables suppression threshold for the specified math waveform.
ON enables suppression threshold for the specified math waveform.
OFF disables suppression threshold for the specified math waveform.

Examples MATH:MATH3:SPECTRAL:SUPPRESS ON enables the suppression threshold on the Math 3 spectral waveform.
MATH:MATH2:SPECTRAL:SUPPRESS? might return
:MATH:MATH2:SPECTRAL:SUPPRESS 0 indicating the suppression threshold is disabled on the Math 2 spectral waveform.

MATH:MATH<x>:SPECTral:SUPPress:VALue

This command sets or queries in volts the value of suppression threshold of the specified math waveform. This requires the Spectral type to be Phase and the Suppression to be enabled for this PI command to have any affect. The math waveform is specified by x.

Group Math

Syntax MATH:MATH<x>:SPECTral:SUPPress:VALue <NR3>
MATH:MATH<x>:SPECTral:SUPPress:VALue?

Related Commands [MATH:MATH<x>:SPECTral:TYPE](#)
[MATH:MATH<x>:SPECTral:SUPPress](#)

Arguments	<NR3> is the value of suppression threshold of the specified math waveform in volts.
Examples	MATH:MATH3:SPECTRAL:SUPPRESS:VALUE 100.0E-3 sets the suppression threshold of Math 3 to 100 mV. MATH:MATH1:SPECTRAL:SUPPRESS:VALUE? might return MATH:MATH1:SPECTRAL:SUPPRESS:VALUE 10.0000E+3 indicating the suppression threshold of Math 1 is currently set to 10 kV.

MATH:MATH<x>:SPECTral:TYPE

This command sets or queries the FFT type selected for spectral analysis. The math waveform is specified by x.

Group	Math
Syntax	MATH:MATH<x>:SPECTral:TYPE {MAGNitude PHASE REAL IMAGinary} MATH:MATH<x>:SPECTral:TYPE?
Arguments	MAGNitude specifies the magnitude spectral function. PHASE specifies the phase spectral function. REAL specifies the real spectral function. IMAGinary specifies the imaginary spectral function.
Examples	MATH:MATH1:SPECTral:TYPE REAL specifies the real spectral function. MATH:MATH1:SPECTral:TYPE? might return :MATH:MATH1:SPECTRAL:TYPE MAGNITUDE indicating the math is the magnitude spectral function.

MATH:MATH<x>:SPECTral:UNWRap

This command sets or queries whether phase unwrap of the spectral analyzer output data is enabled. The Math waveform is specified by x.

Group	Math
Syntax	MATH:MATH<x>:SPECTral:UNWRap {OFF ON 0 1} MATH:MATH<x>:SPECTral:UNWRap?

Arguments	<p>0 disables phase unwrap for the specified math waveform.</p> <p>1 enables phase unwrap for the specified math waveform.</p> <p>ON enables phase unwrap for the specified math waveform.</p> <p>OFF disables phase unwrap for the specified math waveform.</p>
Examples	<p>MATH1:SPECTRAL:UNWRAP ON enables phase unwrap of the spectral analyzer output data.</p> <p>MATH1:SPECTRAL:UNWRAP? might return :MATH1:SPECTRAL:UNWRAP 0, indicating that the phase unwrap of the spectral analyzer output data is disabled.</p>

MATH:MATH<x>:SPECTral:UNWRap:DEGrees

This command sets or queries how many degrees adjacent phase values can jump before being unwrapped. This requires the Spectral type to be Phase and the UNWRAP to be enabled for this PI command to have any affect. The math waveform is specified by x.

Group	Math
Syntax	<p>MATH:MATH<x>:SPECTral:UNWRap:DEGrees <NR3></p> <p>MATH:MATH<x>:SPECTral:UNWRap:DEGrees?</p>
Related Commands	<p>MATH:MATH<x>:SPECTral:TYPE</p> <p>MATH:MATH<x>:SPECTral:UNWRap</p>
Arguments	<NR3> is the value of unwrap phase in degrees.
Examples	<p>MATH:MATH2:SPECTRAL:UNWRAP:DEGREES 90 sets the unwrap phase of the spectral Math 2 to 90 degrees.</p> <p>MATH:MATH2:SPECTRAL:UNWRAP:DEGREES? might return :MATH:MATH2:SPECTRAL:UNWRAP:DEGREES 180 indicating unwrap phase of the spectral math 3 waveform is 180 degrees.</p>

MATH:MATH<x>:SPECTral:WINDow

This command sets or queries the window function used to apply the specified FFT window to the input data for the specified math waveform. The Math waveform is specified by x. A spectral window determines what the filter shape

of the spectral analyzer will be in the frequency domain. It can be described by a mathematical function that is multiplied point-by-point times the input data to the spectral analyzer.

Following is a list of arguments that specify the window function used to multiply the input data. The windows are listed in the order of their ability to resolve frequencies (resolution bandwidth).

Group Math

Syntax MATH:MATH<x>:SPECTRAL:WINDOW {RECTANGULAR|HAMMING|HANNING|BLACKMANHARRIS|KAISERBESSEL|GAUSSIAN|FLATTOP2|TEKEXPONENTIAL}
MATH:MATH<x>:SPECTRAL:WINDOW?

Related Commands [MATH:MATH<x>:TYPE](#)

Arguments RECTANGULAR window function is equivalent to multiplying all gate data by one.
HAMMING window function is based on a cosine series.
HANNING window function is based on a cosine series.
BLACKMANHARRIS window function is based on a cosine series.
KAISERBESSEL window function is based on a cosine series.
GAUSSIAN window function has the best localization characteristics in the joint time/frequency plane
FLATTOP2 window function is a cosine series window with a flattened frequency response lobe.
TEKEXPONENTIAL window has an exponential nonsymmetrical shape in the time domain and a triangular shape in the frequency domain.

Examples MATH2:SPECTRAL:WINDOW GAUSSIAN applies a Gaussian window to the spectral analyzer input data.
MATH2:SPECTRAL:WINDOW? might return :MATH2:SPECTRAL:WINDOW BLACKMANHARRIS, indicating that the window function used to multiply the spectral analyzer input data is the BLACKMANHARRIS function.

MATH:MATH<x>:SPI:SUPPORTEDFIELDS

This command sets or queries the field type for the math for the bus source for SPI bus. The math waveform is specified by x.

Group	Math
Syntax	MATH:MATH<x>:SPI:SUPPortedfields {DATA MOSIdata MISOData} MATH:MATH<x>:SPI:SUPPortedfields?
Arguments	<p>DATA sets the field type to DATA.</p> <p>MOSIdata sets the field type to MOSIdata. MOSIdata field is available to select when SPI Bus configuration for Data Inputs is set to Two.</p> <p>MISOData sets the field type to MISOData. MISOData field is available to select when SPI Bus configuration for Data Inputs is set to Two.</p>
Examples	<p>MATH:MATH2:SPI:SUPPortedfields DATA sets the field type to DATA.</p> <p>MATH:MATH2:SPI:SUPPortedfields? might return :MATH:MATH2:SPI:SUPPortedfields DATA, indicating the field type for MATH2 for the bus source for SPI bus is DATA.</p>

MATH:MATH<x>:SPMI:SUPPortedfields

This command sets or queries the field type for the math for the bus source for SPMI bus. The math waveform is specified by x.

Group	Math
Syntax	MATH:MATH<x>:SPMI:SUPPortedfields {DATA CDATA RDATA} MATH:MATH<x>:SPMI:SUPPortedfields?
Arguments	<p>DATA sets the field type to DATA.</p> <p>CDATA sets the field type to CDATA.</p> <p>RDATA sets the field type to RDATA.</p>
Examples	<p>MATH:MATH2:SPMI:SUPPortedfields DATA sets the field type to DATA.</p> <p>MATH:MATH2:SPMI:SUPPortedfields? might return :MATH:MATH2:SPMI:SUPPortedfields DATA, indicating the field type for MATH2 for the bus source for SPMI bus is DATA.</p>

MATH:MATH<x>:SVID:SUPPortedfields

This command sets or queries the field type for the math for the bus source for SVID bus. The math waveform is specified by x.

Group	Math
Syntax	MATH:MATH<x>:SVID:SUPPortedfields {MPAYload SPAYload} MATH:MATH<x>:SVID:SUPPortedfields?
Arguments	MPAYload sets the field type to MPAYload. SPAYload sets the field type to SPAYload.
Examples	MATH:MATH2:SVID:SUPPortedfields MPAYload sets the field type to MPAYload. MATH:MATH2:SVID:SUPPortedfields? might return :MATH:MATH2:SVID:SUPPortedfields MPAYload, indicating the field type for MATH2 for the bus source for SVID bus is MPAYload.

MATH:MATH<x>:TYPE

This command sets or queries the math type. The math waveform is specified by x.

Group	Math
Syntax	MATH:MATH<x>:TYPE {BASiC FILTER FFT ADVanced}
Arguments	BASiC set the type to basic math. FILTER sets the math type to filter. Requires UDFLT licenses on 5, 6 series MSO instruments and Tekscope (Offline). FFT sets the type to FFT math, which can use any live analog or reference waveform in the time domain. NOTE. You can also use FFT as part of a math expression by declaring the type ADVanced. See examples for the command MATH:MATH<x>:DEFine . ADVanced sets the type to advanced math.

Examples `MATH:MATH2:TYPE BASIC` sets the type of Math 2 to basic.
`MATH:MATH2:TYPE?` might return `:MATH:MATH2:TYPE FFT` indicating the type of Math 4 is currently FFT.

MATH:MATH<x>:USB:SUPPortedfields

This command sets or queries the field type for the math for the bus source for USB bus. The math waveform is specified by x.

Group Math

Syntax `MATH:MATH<x>:USB:SUPPortedfields {DATA}`
`MATH:MATH<x>:USB:SUPPortedfields?`

Arguments `DATA` sets the field type to `DATA`.

Examples `MATH:MATH2:USB:SUPPortedfields DATA` sets the field type to `DATA`.
`MATH:MATH2:USB:SUPPortedfields?` might return `:MATH:MATH2:USB:SUPPortedfields DATA`, indicating the field type for MATH2 for the bus source for USB bus is `DATA`.

MATH:MATH<x>:VUNIT

This command specifies or returns the math custom vertical units. The math waveform is specified by x.

Group Math

Syntax `MATH:MATH<x>:VUNIT <QString>`

Arguments `<QString>` is the custom vertical units.

Examples `MATH:MATH2:VUNIT "Small"`
`MATH:MATH2:VUNIT?` might return `:MATH:MATH2:VUNIT "Large"` indicating the Math 2 vertical unit is set to "Large".

MATHArbflt<x>:FILEpath

This command or query sets the file path for a file of filter coefficients for the specified arbitrary filter. Setting a path will read that file and load the filter for ARBFLT<x>. Access these filters using a Math with an expression of the form "ARBFLT<x>()".

Group	Math
Syntax	MATHArbflt<x>:FILEpath <QString> MATHArbflt<x>:FILEpath?
Arguments	<QString> specifies the path to the file of filter coefficients.
Examples	<p>MATHARBFLT8:FILEPATH "c:/myfilters/20mhz.flr" reads filter coefficients from the file and loads the filter for ARBFLT8.</p> <p>MATHARBFLT1:FILEPATH? might return :MATHARBFLT1:FILEPATH "C:\Users\Public\Tektronix\TekScope\Math Arbitrary Filters\LowPass-Norm\lowpass_0.bw.flr", indicating that the path to the file of filter coefficients is set to "C:\Users\Public\Tektronix\TekScope\Math Arbitrary Filters\LowPass-Norm\lowpass_0.bw.flr".</p>

MEASTABLE:ADDNew (No Query Form)

This command adds a new measurement results view table to the scope application. The results view table can be named through the argument sent to the command.

Group	Measurement
Syntax	MEASTABLE:ADDNew <QString>
Arguments	<QString> specifies a new measurement results view table to the scope application.
Examples	MEASTABLE:ADDNew "TABLE1" adds a new table view by name TABLE1.

MEASTABLE:DELETE (No Query Form)

This command removes the requested measurement results view table from the scope application.

Group	Measurement
Syntax	MEASTABLE:DELETE <QString>
Arguments	<QString> specifies a measurement results view table to remove.
Examples	MEASTABLE:DELETE "TABLE1" removes TABLE1 from the view.

MEASUREMENT? (Query Only)

This query-only command returns all measurement parameters.

Group	Measurement
Syntax	MEASUREMENT?
Examples	<pre>MEASUREMENT? might return :MEASUREMENT:GATING OFF;IMMED:TYPE UNDEFINED;UNITS "V";SOURCE1 CH1;SOURCE2 CH1;SOURCE1:SIGTYPE PULSE;:MEASUREMENT:IMMED:SOURCE2:SIGTYPE PULSE;:MEASUREMENT:IMMED:DELAY:EDGE1 RISE;EDGE2 RISE;DIRECTION FORWARDS;:MEASUREMENT:IMMED:REFLEVEL:METHOD PERCENT;ABSOLUTE:HIGH 0.0000;LOW 0.0000;MID1 0.0000;MID2 0.0000;:MEASUREMENT:IMMED:REFLEVEL:PERCENT:HIGH 90.0000;LOW 10.0000;MID1 50.0000;MID2 50.0000;:MEASUREMENT:IMMED:METHOD HISTOGRAM;NOISE HIGH;:MEASUREMENT:MEAS1:STATE 0;TYPE UNDEFINED;UNITS "V";SOURCE1 CH1;SOURCE2 CH1;SOURCE1:SIGTYPE PULSE;:MEASUREMENT:MEAS1:SOURCE2:SIGTYPE PULSE;:MEASUREMENT:MEAS1:DELAY:EDGE1 RISE;EDGE2 RISE;DIRECTION FORWARDS;:MEASUREMENT:MEAS1:REFLEVEL:METHOD PERCENT;ABSOLUTE:HIGH 0.0000;LOW 0.0000;MID1 0.0000;MID2 0.0000;:MEASUREMENT:MEAS1:REFLEVEL:PERCENT:HIGH 90.0000;LOW 10.0000;MID1 50.0000;MID2 50.0000;:MEASUREMENT:MEAS1:METHOD HISTOGRAM;NOISE HIGH;:MEASUREMENT:MEAS2:STATE 0;TYPE UNDEFINED;UNITS "V";SOURCE1 CH1;SOURCE2 CH1;SOURCE1:SIGTYPE PULSE;:MEASUREMENT:MEAS2:SOURCE2:SIGTYPE</pre>

PULSE;:MEASUREMENT:MEAS2:DELAY:EDGE1 RISE;EDGE2
RISE;DIRECTION.

MEASUREMENT:ADDMEAS (No Query Form)

This command adds a measurement.

- Conditions** Refer to the Arguments list for measurements that require the DJA option or are not available on 4 Series MSO instruments.
- Group** Measurement, IMDA, WBG
- Syntax** MEASUREMENT:ADDMEAS {ACCOMMONMODE |ACPR |ACRMS |AMPLITUDE
|AREA |BASE |BITAMPLITUDE |BITHIGH |BITLOW |BURSTWIDTH
|CCJITTER |COMMONMODE |CPOWER |DATARATE |DCD |DDJ
|DDRAOS |DDRAOSPRTCK |DDRAOSPERUI |DDRAUS |DDRAUSPERTCK
|DDRAUSPERUI |DDRHOLDDIFF |DDRSETUPDIFF |DDRTCHABS
|DDRTCHAVERAGE |DDRTCKAVERAGE |DDRTCLABS |DDRTCLAVERAGE
|DDRTERRMN |DDRTERRN |DDRTJITCC |DDRTJITDUTY |DDRTJITPER
|DDRTJPST |DDRTJPRE |DDRTWPRE |DDRVIXAC |DDRTDQSK |DELAY |DJ
|DJDIRAC |DPMSIJ |EYEHIGH |EYELOW |FALLSLEWRATE |FALLTIME
|FREQUENCY |F2 |F4 |F8 |HEIGHT |HEIGHTBER |HIGH |HIGHTIME
|HOLD |IMDAANGLE |IMDADIRECTION |IMDADQ0 |IMDAEFFICIENCY
|IMDAHARMONICS |IMDAMECHPWR |IMDAPOWERQUALITY |IMDASPEED
|IMDASYSEFF |IMDATORQUE |JITTERSUMMARY |J2 |J9 |LOW |LOWTIME
|MAXIMUM |MEAN |MINIMUM |NDUTY |NOVERSHOOT |NPERIOD |NPJ
|NWIDTH |OBW |PDUTY |PERIOD |PHASE |PHASENOISE |PJ |PK2PK
|POVERSHOOT |PWIDTH |QFACTOR |RISESLEWRATE |RISETIME |RJ
|RJDIRAC |RMS |SETUP |SKEW |SRJ |SSCFREQDEV |SSCMODRATE |TIE
|TIMEOUTSIDELEVEL |TIMETOMAX |TIMETOMIN |TJBER |TNRATIO
|TOP |UNITINTERVAL |VDIFFXOVR |WBGDDT |WBGDIODEDDT |WBGEOFF
|WBGEON |WBGERR |WBGPEAK |WBGIRRM |WBGQOSS |WBGQRR
|WBGTDIFF |WBGTDON |WBGTF |WBGTON |WBGTOFF |WBGTR |WBGTRR
|WBGTD |WBGVPEAK |WIDTH |WIDTHBER}
- Arguments** ACCOMMONMODE AC Common Mode (Pk-Pk) is the peak-to-peak of the common mode voltage of two sources. This measurement is made across the entire record. This measurement requires the DJA option and is not available on a 4 Series MSO instrument.
- ACPR (Adjacent Channel Power Ratio) is the amount of power that leaks into adjacent channels. This can be specified in terms of absolute power or a ratio of adjacent channel power to the main channel power, called adjacent channel power ratio (ACPR) or adjacent channel leakage ratio (ACLR).

ACRMS (AC RMS) is the true Root Mean Square of the data points, about the Mean. This measurement can be made across the entire record, or on each cycle in the record.

AMPLITUDE is the difference between the Top value and the Base value. This measurement can be made across the entire record, or on each cycle in the record.

$$\text{Amplitude} = \text{High} - \text{Low}$$

AREA is the area under the curve, calculated by integrating the data points. The area measured above ground is positive. The area measured below ground is negative. This measurement can be made across the entire record, or on each cycle in the record.

BASE is the most common data value below the midpoint of the waveform. This measurement can be made across the entire record, or on each cycle in the record.

BITAMPLITUDE (Bit Amplitude) is the difference between the amplitudes of the 1 bit and the 0 bit surrounding a transition. The amplitude is measured over a user specified portion at the center of the recovered unit interval. This measurement is made on each transition bit in the record (Mean) or across the entire record (Mode). This measurement requires the DJA option and is not available on a 4 Series MSO instrument.

BITHIGH (Bit High) is the amplitude of a 1 bit. The amplitude is measured over a user specified portion at the center of the recovered unit interval. This measurement is made on each high bit in the record (Mean) or across the entire record (Mode). This measurement requires the DJA option and is not available on a 4 Series MSO instrument.

BITLOW (Bit Low) is the amplitude of a 0 bit. The amplitude is measured over a user specified portion at the center of the recovered unit interval. This measurement is made on each high bit in the record (Mean) or across the entire record (Mode). This measurement requires the DJA option and is not available on a 4 Series MSO instrument.

BURSTWIDTH (Burst Width) is the duration of a series of adjacent crossings of the Mid reference level (R_M). Bursts are separated by a user-defined idle time (t_i). This measurement is made on each burst in the record.

CCJITTER (Cycle-to-Cycle jitter) measures how much the clock period changes between any two adjacent cycles. Cycle-to-Cycle jitter is measured by applying a first order difference operation to the period jitter.

COMMONMODE (DC Common Mode) is the arithmetic mean of the common mode voltage of two sources. This measurement is made across the entire record. This measurement requires the DJA option and is not available on a 4 Series MSO instrument.

CPOWER (Channel Power) is the measurement of integrated power within a specified channel bandwidth for a RF signal. The resulting channel power is an absolute power measurement.

DATARATE (Data Rate) is the reciprocal of Unit Interval. This measurement is made on each bit in the record.

DCD (duty cycle distortion) is the peak-to-peak amplitude of the component of the deterministic jitter correlated with the signal polarity. This measurement is made across the entire record. This measurement requires the DJA option and is not available on a 4 Series MSO instrument.

DDJ (data dependent jitter) is the peak-to-peak amplitude of the component of the deterministic jitter correlated with the data pattern in the waveform. This measurement is made across the entire record. This measurement requires the DJA option and is not available on a 4 Series MSO instrument.

DDRAOS (area above signal) is the total area of the signal above a specified reference level. This measurement is made across the entire record.

DDRAOSPERTCK (area over signal for tCK events) is the total area of the signal above a specified reference level calculated over consecutive tCK intervals. It is applicable to clock and address/command waveforms.

DDRAOSPERUI (area over signal for UI events) is the total area of the signal above a specified reference level calculated over consecutive unit intervals. It is applicable to data and data strobe waveforms.

DDRAUS (area under signal) is the total area of the signal below a specified reference level. This measurement is made across the entire record.

DDRAUSPERTCK (area under signal for tCK events) is the total area of the signal below a specified reference level calculated over consecutive tCK intervals. It is applicable to clock and address/command waveforms.

DDRAUSPERUI (area under signal for UI events) is the total area of the signal below a specified reference level calculated over consecutive unit intervals. It is applicable to data and data strobe waveforms.

DDRHOLDDIFF (hold difference) is the elapsed time between the specified edge of a single-ended clock waveform and the specified edge of a differential data waveform. The measurement uses the closest respective waveform edges that fall within the range limits. This measurement is made across the entire record.

DDRSETUPDIFF (setup difference) is the elapsed time between the specified edge of a single-ended clock waveform and when the specified edge of a differential data waveform crosses a specified level. The measurement uses the closest respective waveform edges that fall within the range limits. This measurement is made across the entire record.

DDRTCHABS (absolute high pulse width) is the absolute value of the high pulse width as measured from one rising edge to the next falling edge.

DDRTCHAVERAGE (average high pulse width) is the average value of the high pulse width as measured from one rising edge to the next falling edge, across 200 consecutive cycles. This measurement is made across the entire record.

DDRTCKAVERAGE (average clock period) is the average clock period calculated from rising edge to rising edge, across 200 consecutive cycles. This measurement is made across the entire record.

DDRTCLABS (absolute low pulse width) is the absolute value of the low pulse width as measured from a falling edge to the next rising edge. This measurement is made across the entire record.

DDRTCLAVERAGE (average low pulse width) is the average value of the low pulse width as measured from one falling edge to the next rising edge, across 200 consecutive cycles.

DDRTERRMN (cumulative error) is the cumulative error across multiple consecutive defined cycles from $t_{CK}(avg)$.

DDRTERRN (cumulative error) is the cumulative error across specified consecutive cycles from $t_{CK}(avg)$. In other words, this measures the time difference between the sum of the clock period from a 200 cycle window and n times $t_{CK}(avg)$.

DDRTJITCC (cycle to cycle jitter period) is the absolute difference in clock period between two consecutive clock cycles. This measurement is made across the entire record.

DDRTJITDUTY (half period jitter) is the largest elapsed time between t_{CH} and $t_{CH}(avg)$, and t_{CL} and $t_{CL}(avg)$, over 200 consecutive cycles.

DDRTJITPER (clock period jitter) is the largest deviation of any t_{CK} signal from $t_{CK}(avg)$. This measurement is made across the entire record.

DDRTPST (read/write burst postamble) is the width of the Read or Write burst postamble, measured from the last falling edge of the mid reference level to the start of an undriven state. This measurement is made across the entire record.

DDRTRPRE (read burst preamble) is the width of the Read burst preamble, measured from exiting tristate levels to the first driving edge of the differential strobe. This measurement is made across the entire record.

DDRTWPRE is the width of the Write burst preamble, measured from exiting tristate levels to the first driving edge of the differential strobe. This measurement is made across the entire record.

DDRVIXAC is the differential input cross-point voltage measured from the true state transition (and its compliment) to a specified reference level, measured on a single-ended signal.

DDRTDQSCK is the strobe output access time, measured between the rising edge of the clock and before or after the differential strobe Read preamble time. Signal edges are determined by the mid-ref threshold level settings.

DELAY is the time between the specified Mid reference level (R_M) crossing on one source to a specified Mid reference level (R_M) crossing on a second source. This measurement is made on the first occurrence in the record.

DJ (deterministic jitter) is the peak-to-peak amplitude of all timing errors that exhibit deterministic behavior. This measurement is made across the entire record. This measurement requires the DJA option and is not available on a 4 Series MSO instrument.

DJDIRAC (dual-dirac deterministic jitter) is deterministic jitter based on a simplifying assumption that the histogram of all deterministic jitter can be modeled as a pair of equal-magnitude Dirac functions. This measurement is made across the entire record. This measurement requires the DJA option and is not available on a 4 Series MSO instrument.

DPMPSTIJ is the Power Supply Induced Jitter. This measurement helps in suppressing the jitter in high speed signals (victim) induced from power rail signals (aggressor).

EYEHIGH (Eye High) is the amplitude of a high (1) bit measured at a user specified location within the recovered unit interval. This measurement is made on each high bit in the record. This measurement requires the DJA option and is not available on a 4 Series MSO instrument.

EYELOW (Eye Low) is the amplitude of a low (0) bit measured at a user specified location within the recovered unit interval. This measurement is made on each low bit in the record. This measurement requires the DJA option and is not available on a 4 Series MSO instrument.

FALLSLEWRATE (Falling Slew Rate) is the rate of change in voltage as an edge transitions from the Top reference level (R_T) to the Bottom reference level (R_B). This measurement is made on each cycle in the record.

FALLTIME (Fall Time) is the time required for an edge to fall from the Top reference level (R_T) to the Base reference level (R_B). This measurement is made on each cycle in the record.

FREQUENCY is the reciprocal of Period. This measurement is made on each cycle in the record.

F2 is the peak-to-peak amplitude of the periodic jitter occurring at a rate of Fb (data rate) divided by 2. This measurement is made across the entire record. This measurement requires the DJA option and is not available on a 4 Series MSO instrument.

F4 is the peak-to-peak amplitude of the periodic jitter occurring at a rate of Fb (data rate) divided by 4. This measurement is made across the entire record. This measurement requires the DJA option and is not available on a 4 Series MSO instrument.

F8 is the peak-to-peak amplitude of the periodic jitter occurring at a rate of Fb (data rate) divided by 8. This measurement is made across the entire record. This measurement requires the DJA option and is not available on a 4 Series MSO instrument.

HIGH (Eye High) is the amplitude of a high (1) bit measured at a user specified location within the recovered unit interval. This measurement is made on each high bit in the record.

HEIGHT (Eye Height) is the minimum vertical eye opening at the center of the recovered unit interval. This measurement is made across the entire record. This measurement requires the DJA option and is not available on a 4 Series MSO instrument.

HEIGHTBER (Eye Height@BER) is the predicted vertical eye opening that will be violated with a probability equal to the bit error rate. This measurement is made across the entire record. This measurement requires the DJA option and is not available on a 4 Series MSO instrument.

HIGH

HIGHTIME (High Time) is the time the signal remains above the Top reference level (R_T). This measurement is made on each cycle in the record.

HOLD (Hold Time) is the time between the specified Mid reference level crossing (R_M) on the Clock source to the closest specified Mid reference level (R_M) crossing on the Data source. This measurement is made on each specified Clock edge in the record.

IMDAANGLE (Angle) measures the phase angle. Configure QEI or Hall sensor to compute the angle measurement. Requires a IMDA-MECH License.

IMDADIRECTION (Direction) defines the direction of rotation of the motor. Set the direction A-B-C or A-C-B for Hall sensors and CW or CCW for QEI based on the motor configuration. Requires a IMDA-MECH License.

IMDADQ0 measures the DQ0 values of the phasor plot. This measurement requires options IMDA and IMDA-DQ0. Requires a IMDA-MECH License.

IMDAEFFICIENCY (Efficiency) measures the ratio of sum of output power(s) to input power for respective input and output Voltage and Current pairs. Note: the current release cannot support 3V and 3I pairs, since this requires 12 channels. We restrict to 2V and 2I which needs 8 scope channels. Requires a IMDA-MECH License.

IMDAHARMONICS (Harmonics) plots the signal amplitude at the fundamental line frequency and its harmonics and measures the RMS amplitude and Total Harmonic Distortion of the signal. Requires a IMDA-MECH License.

IMDAMECHPWR (Mechanical Power) measures the mechanical power of the motor drive system. It is determined by the Speed and Torque. It is measured in watts. Requires a IMDA-MECH License.

IMDAPOWERQUALITY (Power Quality) measures the Frequency and RMS values of the voltage and current, Crest Factors of the voltage and current, True Power (PTRUE), Reactive Power (PRE), Apparent Power (PAPP), Power Factor, and Phase Angle (θ) of the AC signal. Requires a IMDA-MECH License.

IMDASPEED (Speed) measures the speed and acceleration. Requires a IMDA-MECH License.

IMDASYSEFF (System Efficiency) measures the total efficiency of the motor drive system. Requires a IMDA-MECH License.

IMDATORQUE (Torque) measures the torque of the motor. Configure Sensor (analog) or Current method to measure the torque. Requires a IMDA-MECH License.

JITTERSUMMARY (Jitter Summary) is a group consisting of the following measurements: TIE, TJ@BER, Eye Width@BER, Eye Height@BER, RJ- $\delta\delta$, DJ- $\delta\delta$, PJ, DDJ, DcD, F/2, F/4, F/8. This measurement requires the DJA option and is not available on a 4 Series MSO instrument.

J2 is the total jitter at a bit error rate of $2.5e-3$ (TJ@ $2.5e-3$). This measurement is made across the entire record. This measurement requires the DJA option and is not available on a 4 Series MSO instrument.

J9 is the total jitter at a bit error rate of $2.5e-10$ (TJ@ $2.5e-10$). This measurement is made across the entire record. This measurement requires the DJA option and is not available on a 4 Series MSO instrument.

LOW (Eye Low) is the amplitude of a low (0) bit measured at a user specified location within the recovered unit interval. This measurement is made on each low bit in the record.

LOWTIME (Low Time) is the time the signal remains below the Base reference level (R_B). This measurement is made on each cycle in the record.

MAXimum is the maximum data point. This measurement can be made across the entire record, or on each cycle in the record.

MEAN is the arithmetic mean of the data points. This measurement can be made across the entire record, or on each cycle in the record.

MINimum is the minimum data point. This measurement can be made across the entire record, or on each cycle in the record.

NDuty (Negative Duty Cycle) is the ratio of the Negative Pulse Width to the Period. This measurement is made on each cycle in the record.

$$\text{Negative Duty Cycle} = (\text{Negative Width}) / \text{Period} \times 100\%$$

NPERIOD (Duration N-Periods) is the time required to complete N cycles. A cycle is the time between two adjacent (same direction) crossings of the Mid reference level (R_M). This measurement is made on each cycle in the record.

NPJ (non-periodic jitter) is the portion of the BUJ (bounded uncorrelated jitter) that is random. BUJ excludes DDJ, DCD and RJ. This measurement is made across the entire record. This measurement requires the DJA option and is not available on a 4 Series MSO instrument.

NOvershoot (Negative Overshoot) is the difference between Minimum and Base, divided by the Amplitude. This measurement can be made across the entire record, or on each cycle in the record.

$$\text{Negative Overshoot} = (\text{Base} - \text{Minimum}) / \text{Amplitude} \times 100\%$$

NWIDTH (Negative Pulse Width) is the time the signal remains below the Mid reference level (R_M). This measurement is made on each cycle in the record.

OBW (Occupied Bandwidth) refers to the bandwidth, including energy of a certain proportion of the total transmitted power, with the center frequency of the specified channel as the center.

PDUTY (Positive Duty Cycle) is the ratio of the Positive Pulse Width to the Period. This measurement is made on each cycle in the record.

$$\text{Positive Duty Cycle} = (\text{Positive Width}) / \text{Period} \times 100\%$$

PERIOD is the time required to complete a cycle. A cycle is the time between two adjacent (same direction) crossings of the Mid reference level (R_M). This measurement is made on each cycle in the record.

PHASE is the ratio of the Skew between two sources to the Period of the first source. This measurement is made on each cycle in the record.

PHASENOISE (Phase Noise) is the RMS magnitude of all integrated jitter falling within a user specified offset range of the fundamental clock frequency. This measurement is made across the entire record. This measurement is not available on a 4 Series MSO instrument.

PJ (periodic jitter) is the peak-to-peak amplitude of the uncorrelated sinusoidal components of the deterministic jitter. This measurement is made across the entire record. This measurement requires the DJA option and is not available on a 4 Series MSO instrument.

PK2Pk (Peak-to-peak) is the difference between Maximum and Minimum. This measurement can be made across the entire record, or on each cycle in the record.

POVERSHOOT (Positive Overshoot) is the difference between Maximum and Top, divided by the Amplitude. This measurement can be made across the entire record, or on each cycle in the record.

$$\text{Positive Overshoot} = (\text{Maximum} - \text{Top}) / \text{Amplitude} \times 100\%$$

PWIDTH (Positive Pulse Width) is the time the signal remains above the Mid reference level (R_M). This measurement is made on each cycle in the record.

QFACTOR (Q-Factor) is the ratio of the vertical eye opening to RMS vertical noise measured at a user specified location within the recovered unit interval. This measurement is made across the entire record. This measurement requires the DJA option and is not available on a 4 Series MSO instrument.

RISESLEWRATE (Rising Slew Rate) is the rate of change in voltage as an edge transitions from the Base reference level (R_B) to the Top reference level (R_T). This measurement is made on each cycle in the record.

RISETIME Rise Time is the time required for an edge to rise from the Base reference level (R_B) to the Top reference level (R_T). This measurement is made on each cycle in the record.

RJ (random jitter) is the RMS magnitude of all random timing errors following a Gaussian distribution. This measurement is made across the entire record. This measurement requires the DJA option and is not available on a 4 Series MSO instrument.

RJDIRAC (dual-dirac random jitter) is random jitter based on a simplifying assumption that the histogram of all deterministic jitter can be modeled as a pair of equal-magnitude Dirac functions. This measurement is made across the entire record. This measurement requires the DJA option and is not available on a 4 Series MSO instrument.

RMS is the true Root Mean Square of the data points. This measurement can be made across the entire record, or on each cycle in the record.

SRJ (sub-rate jitter) is the composite jitter due to periodic components at 1/2, 1/4 and 1/8 of the data rate. This measurement is made across the entire record. This measurement requires the DJA option and is not available on a 4 Series MSO instrument.

SSCFREQDEV (SSC Frequency Deviation) is the spread spectrum clock frequency deviation. This measurement enables a time trend plot of the spread spectrum clock modulation profile. This measurement is made on each cycle in the record. This measurement requires the DJA option and is not available on a 4 Series MSO instrument.

SSCMODRATE (SSC Modulation Rate) is the modulating frequency of a spread spectrum clock. This measurement is made on each cycle in the record. This measurement requires the DJA option and is not available on a 4 Series MSO instrument.

SETUP (Setup Time) is the time between the specified Mid reference level (R_M) crossing on the Data source to the closest specified Mid reference level (R_M) crossing on the Clock source. This measurement is made on each specified Clock edge in the record.

SKEW Skew is the time between the specified Mid reference level (R_M) crossing on one source to the following specified Mid reference level (R_M) crossing on a second source. This measurement is made on each cycle in the record.

TIE (time interval error) is the difference, in time, between an edge in the source waveform and the corresponding edge in a recovered reference clock. This measurement is made on each edge in the waveform. This measurement is not available on a 4 Series MSO instrument.

TIMEOUTSIDELEVEL Time Outside Level is the time the signal remains above the Top reference level (R_T) and/or below the Base reference level (R_B). This measurement is made on each occurrence in the record.

TIMETOMAX Time to Max is the amount of time from the trigger point to the maximum data point. This measurement can be made across the entire record or on each cycle in the record.

TIMETOMIN Time to Min is the amount of time from the trigger point to the minimum data point. This measurement can be made across the entire record or on each cycle in the record.

TJBER (total jitter at a specified bit error rate) is the predicted peak-to-peak amplitude of jitter that will only be exceeded with a probability equal to the bit error rate. This measurement is made across the entire record. This measurement requires the DJA option and is not available on a 4 Series MSO instrument.

TNTRATIO T/nT Ratio is the ratio of a non-transition bit voltage (2nd and subsequent bit voltage after a transition) to its nearest preceding transition bit voltage (1st bit voltage after the transition). Bit voltages are measured at the interpolated midpoint of the recovered unit interval. This measurement is made on each non-transition bit in the record. This measurement requires the DJA option and is not available on a 4 Series MSO instrument.

TOP is the most common data value above the midpoint of the waveform. This measurement can be made across the entire record, or on each cycle in the record.

UNITINTERVAL (Unit Interval) is the time difference between two successive bits. This measurement is made on each bit in the record.

VDIFFXOVR (Differential Crossover) is the voltage level of a differential signal pair at the crossover points. This measurement is made at each crossover point in the record. This measurement requires the DJA option and is not available on a 4 Series MSO instrument.

WBGDDT (d/dt) measures the rate of change of voltage or current (slew rate) from the configured start level to the stop level. Requires a WBG-DPT License.

WBGDIODEDDT (Diode d/dt) measures the rate of change of voltage or current (slew rate) during the specified start and stop integration levels. Diode d/dt can be measured during rising or falling edge. Requires a WBG-DPT License.

WBGEOFF (Eoff) measures the energy dissipated in the Power Device during off region using the configured levels. Requires a WBG-DPT License.

WBGEON (Eon) measures the energy dissipated in the Power Device during on region using the configured levels. Requires a WBG-DPT License.

WBGERR (Err) measures the reverse recovery energy dissipated in the Power Device using the configured levels. Requires a WBG-DPT License.

WBGPEAK (Ipeak) measures the peak current of the Power Device in the on region. Requires a WBG-DPT License.

WBGIRRM (Irrm) measures the maximum current dissipated in the Power Device in the reverse recovery region. Requires a WBG-DPT License.

WBGQOSS (Qoss) is the charge that must be supplied to the output capacitance of the power device during a specified time interval. Requires a WBG-DPT License.

WBGQRR (Qrr) measures the reverse recovery charge in the Power Device using the configured levels. Requires a WBG-DPT License.

WBGDOFF (Td(off)) measures the turn off delay time of the Power Device in the off region using the configured levels. Requires a WBG-DPT License.

WBGDON (Td(on)) measures the turn on delay time of the Power Device in the on region using the configured levels. Requires a WBG-DPT License.

WBGTF (T_f) measures the fall time of the Power Device in the off region using the configured levels.

WBGTOFF (Toff) measures the turn off time of the Power Device. It is the sum of the turn off delay time and the fall time. Requires a WBG-DPT License.

WBGTON (Ton) measures the turn on time of the Power Device. It is the sum of the turn on delay time and the rise time. Requires a WBG-DPT License.

WBGTR (Tr) measures the rise time of the Power Device in the on region using the configured levels. Requires a WBG-DPT License.

WBGTRR (Trr) measures the reverse recovery time of the Power Device using the configured levels. Requires a WBG-DPT License.

WBGTD (Tdt) the time delay between turn on time of the high side MOSFET and turn on time of the low side MOSFET during the simultaneous switching. Requires a WBG-DPT License.

WBGVPEAK (V_{peak}) measures the peak voltage of the Power Device in the off region. Requires a WBG-DPT License.

WIDTH (Eye Width) is the minimum horizontal eye opening at the user specified reference level. This measurement is made across the entire record. This measurement requires the DJA option and is not available on a 4 Series MSO instrument.

WIDTHBER (Eye Width@BER) is the predicted horizontal eye opening that will be violated with a probability equal to the bit error rate. This measurement is made across the entire record. This measurement requires the DJA option and is not available on a 4 Series MSO instrument.

Examples MEASUREMENT:ADDMEAS FREQUENCY adds a frequency measurement.

MEASUREMENT:ADDNew (No Query Form)

This command adds the specified measurement.

Group Measurement

Syntax MEASUREMENT:ADDNew "QString"

Arguments "QString" is the measurement to add. The argument is of the form "MEAS<NR1>" where $NR1 \geq 1$.

Examples MEASUREMENT:ADDNew "MEAS11" adds measurement 11.

MEASUREMENT:ANNOtate

This command sets or queries the annotation state for measurements.

Group Measurement

Syntax MEASUREMENT:ANNOtate {OFF|AUTO}
MEASUREMENT:ANNOtate?

Arguments OFF turns off measurement annotations.
AUTO turns on visible measurement annotations.

Examples MEASUREMENT:ANNOtate OFF turns off measurement annotations.
MEASUREMENT:ANNOtate? might return :MEASUREMENT:ANNOtation:STATE
OFF, indicating that no measurement annotations are active.

MEASUREMENT:AUTOset (No Query Form)

This command performs a specified autoset.

Group Measurement, IMDA, DPM, WBG

Syntax MEASUREMENT:AUTOset {DPMAutoset | DPMPReset | EXECute
| THREEPHASEAUTOset | WBGDeskewexec | WBGPREset | WBGSTIM}

Arguments	<p>DPMAutoset performs a power rail autoset operation. Requires a DPM license.</p> <p>DPMPReset performs a power rail preset operation. Requires a DPM license.</p> <p>EXECute performs an analysis jitter autoset.</p> <p>THREEPHASEAUToset performs an IMDA 3 phase autoset.</p> <p>WBGDeskeWexec performs WBG deskew on specific measurements. Requires a WBG-DPT license.</p> <p>WBGPREset performs a measurement specific preset. Requires a WBG-DPT license.</p> <p>WBGGSTIM performs gate stimulus for WBG measurement. Requires a WBG-DPT license.</p>
Examples	<p>MEASUREMENT:AUTOSET EXECute performs an analysis jitter autoset.</p> <p>MEASUREMENT:AUTOSET THREEPHASEAUToset performs an IMDA 3 phase autoset.</p>

MEASUREMENT:CH<x>:REFLEVELS:ABSOLUTE:FALLHIGH

This command sets or queries the value used as the high reference level of the falling edge when the source ref level method is set to absolute. The channel number is specified by x.

Group	Measurement
Syntax	<pre>MEASUREMENT:CH<x>:REFLEVELS:ABSOLUTE:FALLHIGH <NR3> MEASUREMENT:CH<x>:REFLEVELS:ABSOLUTE:FALLHIGH?</pre>
Arguments	<NR3> is the high reference level, and is the zero percent level when MEASUREMENT:IMMED:REFLEVEL:METHOD is set to Absolute.
Examples	<p>MEASUREMENT:CH2:REFLEVELS:ABSOLUTE:FALLHIGH 1.5 sets the high reference level of the falling edge to 1.5 V.</p> <p>MEASUREMENT:CH2:REFLEVELS:ABSOLUTE:FALLHIGH? might return :MEASUREMENT:CH2:REFLEVELS:ABSOLUTE:FALLHIGH 1.0000 indicating that the high reference level of the falling edge is 1.0 V.</p>

MEASUREMENT:CH<x>:REFLEVELS:ABSOLUTE:FALLLOW

This command sets or queries the value used as the low reference level of the falling edge when the source ref level method is set to absolute. The channel number is specified by x.

Group	Measurement
Syntax	MEASUREMENT:CH<x>:REFLEVELS:ABSOLUTE:FALLLOW <NR3> MEASUREMENT:CH<x>:REFLEVELS:ABSOLUTE:FALLLOW?
Arguments	<NR3> is the high reference level, and is the zero percent level when MEASUREMENT:IMMED:REFLEVEL:METHOD is set to Absolute.
Examples	MEASUREMENT:CH2:REFLEVELS:ABSOLUTE:FALLLOW 1.5 sets the low reference level of the falling edge to 1.5 V. MEASUREMENT:CH2:REFLEVELS:ABSOLUTE:FALLLOW? might return :MEASUREMENT:CH2:REFLEVELS:ABSOLUTE:FALLLOW 1.5000 indicating that the low reference level of the falling edge is 1.5 V.

MEASUREMENT:CH<x>:REFLEVELS:ABSOLUTE:FALLMID

This command sets or queries the value used as the mid reference level of the falling edge when the source ref level method is set to absolute. The channel number is specified by x.

Group	Measurement
Syntax	MEASUREMENT:CH<x>:REFLEVELS:ABSOLUTE:FALLMID <NR3> MEASUREMENT:CH<x>:REFLEVELS:ABSOLUTE:FALLMID?
Arguments	<NR3> is the mid reference level used to calculate the mid reference level when the measurement's Ref level method is set to Absolute.
Examples	MEASUREMENT:CH2:REFLEVELS:ABSOLUTE:FALLMID 0 sets the mid reference level of the falling edge to 0.0 V. MEASUREMENT:CH2:REFLEVELS:ABSOLUTE:FALLMID? might return :MEASUREMENT:CH2:REFLEVELS:ABSOLUTE:FALLMID 0.0E+0 indicating that the mid reference level of the falling edge is 0.0 V.

MEASUREMENT:CH<x>:REFLEVELS:ABSOLUTE:HYSTERESIS

This command sets or queries the value of the hysteresis of the reference level when the source ref level method is set to absolute. The channel number is specified by x.

Group	Measurement
Syntax	MEASUREMENT:CH<x>:REFLEVELS:ABSOLUTE:HYSTERESIS <NR3> MEASUREMENT:CH<x>:REFLEVELS:ABSOLUTE:HYSTERESIS?
Arguments	<NR3> is the hysteresis value used for autoset.
Examples	MEASUREMENT:CH2:REFLEVELS:ABSOLUTE:HYSTERESIS 30.0000E-3 sets the reference hysteresis level to 30 mV. :MEASUREMENT:CH2:REFLEVELS:ABSOLUTE:HYSTERESIS? might return :MEASUREMENT:CH2:REFLEVELS:ABSOLUTE:HYSTERESIS 30.0000E-3 indicating that reference hysteresis level is set to 30 mV.

MEASUREMENT:CH<x>:REFLEVELS:ABSOLUTE:RISEHIGH

This command sets or queries the value used as the high reference level of the rising edge when the source ref level method is set to absolute. The channel number is specified by x.

Group	Measurement
Syntax	MEASUREMENT:CH<x>:REFLEVELS:ABSOLUTE:RISEHIGH <NR3> MEASUREMENT:CH<x>:REFLEVELS:ABSOLUTE:RISEHIGH?
Arguments	<NR3> is the high reference level of the rising edge when the source ref level method is set to absolute.
Examples	MEASUREMENT:CH2:REFLEVELS:ABSOLUTE:RISEHIGH 1.5 sets the high reference level of the rising edge to 1.5 V. MEASUREMENT:CH2:REFLEVELS:ABSOLUTE:RISEHIGH? might return :MEASUREMENT:CH2:REFLEVELS:ABSOLUTE:RISEHIGH 1.0000 indicating that the high reference level of the rising edge is 1.0 V.

MEASUREMENT:CH<x>:REFLEVELS:ABSOLUTE:RISELOW

This command sets or queries the value used as the low reference level of the rising edge when the source ref level method is set to absolute. The channel number is specified by x.

Group	Measurement
Syntax	MEASUREMENT:CH<x>:REFLEVELS:ABSOLUTE:RISELOW <NR3> MEASUREMENT:CH<x>:REFLEVELS:ABSOLUTE:RISELOW?
Arguments	<NR3> is the low reference level of the rising edge when the source ref level method is set to absolute.
Examples	MEASUREMENT:CH2:REFLEVELS:ABSOLUTE:RISELOW 1.5 sets the low reference level of the rising edge to 1.5 V. MEASUREMENT:CH2:REFLEVELS:ABSOLUTE:RISELOW? might return :MEASUREMENT:CH2:REFLEVELS:ABSOLUTE:RISELOW 1.0000 indicating that the low reference level of the rising edge is 1.0 V.

MEASUREMENT:CH<x>:REFLEVELS:ABSOLUTE:RISEMID

This command sets or queries the value used as the mid reference level of the rising edge when the source ref level method is set to absolute. The channel number is specified by x.

Group	Measurement
Syntax	MEASUREMENT:CH<x>:REFLEVELS:ABSOLUTE:RISEMID <NR3> MEASUREMENT:CH<x>:REFLEVELS:ABSOLUTE:RISEMID?
Arguments	<NR3> is the mid reference level of the rising edge when the source ref level method is set to absolute.
Examples	MEASUREMENT:CH2:REFLEVELS:ABSOLUTE:RISEMID 0 sets the mid reference level of the rising edge to 0.0 V. MEASUREMENT:CH2:REFLEVELS:ABSOLUTE:RISEMID? might return :MEASUREMENT:CH2:REFLEVELS:ABSOLUTE:RISEMID 0.0E+0 indicating that the mid reference level of the rising edge is 0.0 V.

MEASUREMENT:CH<x>:REFLEVELS:ABSOLUTE:TYPE

This command sets or queries the reference level type for the source. The channel number is specified by x.

Group	Measurement
Syntax	MEASUREMENT:CH<x>:REFLEVELS:ABSOLUTE:TYPE {SAME UNIQUE} MEASUREMENT:CH<x>:REFLEVELS:ABSOLUTE:TYPE?
Arguments	SAME specifies that the absolute reference levels for the specified measurement channel are the same. UNIQUE specifies that the absolute reference levels for the specified measurement channel are not the same.
Examples	MEASUREMENT:CH2:REFLEVELS:ABSOLUTE:TYPE SAME set the reference levels to be the same. MEASUREMENT:CH2:REFLEVELS:ABSOLUTE:TYPE? might return :MEASUREMENT:CH2:REFLEVELS:ABSOLUTE:TYPE SAME indicating that the reference levels for absolute measurements are the same.

MEASUREMENT:CH<x>:REFLEVELS:BASETOP

This command sets or queries the method used to calculate the TOP and BASE, used to calculate reference levels for the measurement. The channel number is specified by x.

Group	Measurement
Syntax	MEASUREMENT:CH<x>:REFLEVELS:BASETOP {AUTO MINMAX MEANHISTOGRAM MODEHISTOGRAM EYEHISTOGRAM} MEASUREMENT:CH<x>:REFLEVELS:BASETOP?
Arguments	AUTO automatically chooses a reference level method. MINMAX specifies that reference levels are relative to the measurement MIN and MAX. MEANHISTOGRAM specifies that reference levels are relative to the histogram mean BASE and TOP.

MODEHistogram specifies that reference levels are relative to the histogram mode BASE and TOP.

EYEHistogram specifies that reference levels are relative to the eye histogram BASE and TOP.

Examples `MEASUREMENT:CH2:REFLEVELS:BASETOP MINMAX` specifies that reference levels are relative to the measurement MIN and MAX.

`MEASUREMENT:CH2:REFLEVELS:BASETOP?` might return `:MEASUREMENT:CH2:REFLEVELS:BASETOP AUTO` indicating the reference levels are chosen automatically.

MEASUREMENT:CH<x>:REFLEVELS:METHOd

This command sets or queries the method used to calculate reference levels for the measurement. The channel number is specified by x.

Group Measurement

Syntax `MEASUREMENT:CH<x>:REFLEVELS:METHOd {PERCENT|ABSOLUTE}`
`MEASUREMENT:CH<x>:REFLEVELS:METHOd?`

Arguments `PERCENT` specifies percent reference level units.
`ABSOLUTE` specifies absolute reference level units.

Examples `MEASUREMENT:CH2:REFLEVELS:METHOd PERCENT` sets reference levels to be calculated in percent.

`MEASUREMENT:CH2:REFLEVELS:METHOd?` might return `:MEASUREMENT:CH2:REFLEVELS:METHOd PERCENT` indicating the reference levels are calculated in percent.

MEASUREMENT:CH<x>:REFLEVELS:PERCENT:FALLHigh

This command sets or queries the percentage (where 99% is equal to TOP and 1% is equal to BASE) used to calculate the high reference level of the falling edge when the source ref level method is set to percent. The channel number is specified by x.

Group Measurement

Syntax	<pre>MEASUREMENT:CH<x>:REFLEVELS:PERCENT:FALLHIGH <NR3> MEASUREMENT:CH<x>:REFLEVELS:PERCENT:FALLHIGH?</pre>
Arguments	<NR3> is the percentage (where 100% is equal to TOP) used to calculate the high reference level when the measurement's Ref level method is set to Percent.
Examples	<pre>MEASUREMENT:CH2:REFLEVELS:PERCENT:FALLHIGH 90.0000</pre> sets the high reference level for the falling edge to 90%. <pre>MEASUREMENT:CH2:REFLEVELS:PERCENT:FALLHIGH?</pre> might return <pre>:MEASUREMENT:CH2:REFLEVELS:PERCENT:FALLHIGH 90.0000</pre> indicating the high reference level for the falling edge is set to 90%.

MEASUREMENT:CH<x>:REFLEVELS:PERCENT:FALLLOW

This command sets or queries the percentage (where 99% is equal to TOP and 1% is equal to BASE) used to calculate the low reference level of the falling edge when the source ref level method is set to percent. The channel number is specified by x.

Group	Measurement
Syntax	<pre>MEASUREMENT:CH<x>:REFLEVELS:PERCENT:FALLLOW <NR3> MEASUREMENT:CH<x>:REFLEVELS:PERCENT:FALLLOW?</pre>
Arguments	<NR3> is the percentage (where 100% is equal to TOP) used to calculate the low reference level when the measurement Ref level method is set to Percent.
Examples	<pre>MEASUREMENT:CH2:REFLEVELS:PERCENT:FALLLOW 10.0000</pre> sets the reference levels for the falling edge to 10%. <pre>MEASUREMENT:CH2:REFLEVELS:PERCENT:FALLLOW?</pre> might return <pre>:MEASUREMENT:CH2:REFLEVELS:PERCENT:FALLLOW 10.0000</pre> indicating the reference levels for the falling edge is set to 10%.

MEASUREMENT:CH<x>:REFLEVELS:PERCENT:FALLMID

This command sets or queries the percentage (where 99% is equal to TOP and 1% is equal to BASE) used to calculate the mid reference level of the falling edge when the source ref level method is set to percent. The channel number is specified by x.

Group	Measurement
Syntax	MEASUREMENT:CH<x>:REFLEVELS:PERCENT:FALLMID <NR3> MEASUREMENT:CH<x>:REFLEVELS:PERCENT:FALLMID?
Arguments	<NR3> is the percentage (where 50% is equal to MID) used to calculate the mid reference level when the measurement's Ref level method is set to Percent.
Examples	MEASUREMENT:CH2:REFLEVELS:PERCENT:FALLMID 50.0000 sets the MID reference level for the falling edge to 50%. MEASUREMENT:CH2:REFLEVELS:PERCENT:FALLMID? might return :MEASUREMENT:CH2:REFLEVELS:PERCENT:FALLMID 50.0000 indicating the MID reference level for the falling edge is set to 50%.

MEASUREMENT:CH<x>:REFLEVELS:PERCENT:HYSTERESIS

This command sets or queries the percentage (where 100% is equal to MAX and 0% is equal to MIN) used to calculate the hysteresis of the reference level when the measurement ref level method is set to percent. The channel number is specified by x.

Group	Measurement
Syntax	MEASUREMENT:CH<x>:REFLEVELS:PERCENT:HYSTERESIS <NR3> MEASUREMENT:CH<x>:REFLEVELS:PERCENT:HYSTERESIS?
Arguments	<NR3> is the hysteresis value used for the autoset.
Examples	MEASUREMENT:CH2:REFLEVELS:PERCENT:HYSTERESIS 5.0000 sets the reference level hysteresis to 5.0 mV. MEASUREMENT:CH2:REFLEVELS:PERCENT:HYSTERESIS? might return :MEASUREMENT:CH2:REFLEVELS:PERCENT:HYSTERESIS 5.0000 indicating the reference level hysteresis is set to 5.0 mV.

MEASUREMENT:CH<x>:REFLEVELS:PERCENT:RISEHIGH

This command sets or queries the percentage (where 99% is equal to TOP and 1% is equal to BASE) used to calculate the high reference level of the rising edge

when the measurement ref level method is set to percent. The channel number is specified by x.

Group	Measurement
Syntax	MEASUREMENT:CH<x>:REFLEVELS:PERCENT:RISEHIGH <NR3> MEASUREMENT:CH<x>:REFLEVELS:PERCENT:RISEHIGH?
Arguments	<NR3> is the percentage (where 100% is equal to TOP) used to calculate the high reference level when the measurement's Ref level method is set to Percent.
Examples	MEASUREMENT:CH2:REFLEVELS:PERCENT:RISEHIGH 90.0000 sets the high reference level for the rising edge to 90%. MEASUREMENT:CH2:REFLEVELS:PERCENT:RISEHIGH? might return :MEASUREMENT:CH2:REFLEVELS:PERCENT:RISEHIGH 90.0000 indicating the high reference level for the rising edge is set to 90%.

MEASUREMENT:CH<x>:REFLEVELS:PERCENT:RISELOW

This command sets or queries the percentage (where 99% is equal to TOP and 1% is equal to BASE) used to calculate the low reference level of the rising edge when the measurement ref level method is set to percent. The channel number is specified by x.

Group	Measurement
Syntax	MEASUREMENT:CH<x>:REFLEVELS:PERCENT:RISELOW <NR3> MEASUREMENT:CH<x>:REFLEVELS:PERCENT:RISELOW?
Arguments	<NR3> is the percentage (where 100% is equal to TOP) used to calculate the mid reference level when the measurement's Ref level method is set to Percent.
Examples	MEASUREMENT:CH2:REFLEVELS:PERCENT:RISELOW 10.0000 sets the reference levels for the rising edge to 10%. MEASUREMENT:CH2:REFLEVELS:PERCENT:RISELOW? might return :MEASUREMENT:CH2:REFLEVELS:PERCENT:RISELOW 10.0000 indicating the reference levels for the rising edge is set to 10%.

MEASUREMENT:CH<x>:REFLEVELS:PERCENT:RISEMID

This command sets or queries the percentage (where 99% is equal to TOP and 1% is equal to BASE) used to calculate the mid reference level of the rising edge when the measurement ref level method is set to percent. The channel number is specified by x.

Group	Measurement
Syntax	MEASUREMENT:CH<x>:REFLEVELS:PERCENT:RISEMID <NR3> MEASUREMENT:CH<x>:REFLEVELS:PERCENT:RISEMID?
Arguments	<NR3> is the percentage (where 50% is equal to MID) used to calculate the mid reference level when the measurement's Ref level method is set to Percent.
Examples	MEASUREMENT:CH2:REFLEVELS:PERCENT:RISEMID 50.0000 sets the MID reference level for the rising edge to 50%. MEASUREMENT:CH2:REFLEVELS:PERCENT:RISEMID? might return :MEASUREMENT:CH2:REFLEVELS:PERCENT:RISEMID 50.0000 indicating the MID reference level for the rising edge is set to 50%.

MEASUREMENT:CH<x>:REFLEVELS:PERCENT:TYPE

This command specifies or queries the reference level percent type for the measurement. The channel number is specified by x.

Group	Measurement
Syntax	MEASUREMENT:CH<x>:REFLEVELS:PERCENT:TYPE {TENNINETY TWENTYEIGHTY CUSTOM} MEASUREMENT:CH<x>:REFLEVELS:PERCENT:TYPE?
Arguments	TENNINETY specifies reference levels at the 10 and 90% levels. TWENTYEIGHTY specifies reference levels at the 20 and 80% levels. CUSTOM specifies custom reference levels.
Examples	MEASUREMENT:CH2:REFLEVELS:PERCENT:TYPE TENNINETY sets the reference levels to the 10 and 90% levels.

MEASUREMENT:CH2:REFLEVELS:PERCENT:TYPE? might return
:MEASUREMENT:CH2:REFLEVELS:PERCENT:TYPE TWENTYEIGHTY indicating
the reference levels are set to the 20 and 80% levels.

MEASUREMENT:CLOCKRECOVERY:ADVANCED:METHOd

This command sets or queries the global advanced clock recovery method. This will affect measurements whose :MEASUREMENT:MEAS<x>:CLOCKRECOVERY:GLOBAL flag is set to 1.

Group	Measurement
Syntax	MEASUREMENT:CLOCKRECOVERY:ADVANCED:METHOd {NONE NOMiNa1 PATTern} MEASUREMENT:CLOCKRECOVERY:ADVANCED:METHOd?
Arguments	NONE sets to use no advanced CRD method. NOMiNa1 sets the advanced CRD method to Nominal Data Rate. PATTern sets the advanced CDR method to use a Known Data Pattern.
Examples	MEASUREMENT:CLOCKRECOVERY:ADVANCED:METHOd NOMINAL sets the CDR method to use a Known Data Pattern. MEASUREMENT:CLOCKRECOVERY:ADVANCED:METHOd? might return :MEASUREMENT:CLOCKRECOVERY:ADVANCED:METHOd NONE indicating that no advanced CRD method will be used.

MEASUREMENT:CLOCKRECOVERY:CLOCKFREQUENCY

This command sets or queries the global clock frequency used when fixed constant clock recovery is used for the measurement. This will affect measurements whose :MEASUREMENT:MEAS<x>:CLOCKRECOVERY:GLOBAL flag is set to 1.

Group	Measurement
Syntax	MEASUREMENT:CLOCKRECOVERY:CLOCKFREQUENCY <NR3> MEASUREMENT:CLOCKRECOVERY:CLOCKFREQUENCY?

Arguments	<NR3> is the global clock frequency used with Constant Clock - Fixed clock recovery method.
Examples	MEASUREMENT:CLOCKRECOVERY:CLOCKFREQUENCY 2.0E+9 sets the clock frequency to 2.0 GHz. :MEASUREMENT:CLOCKRECOVERY:CLOCKFREQUENCY? might return :MEASUREMENT:CLOCKRECOVERY:CLOCKFREQUENCY 2.5000E+9 indicating the clock frequency is set to 2.5 GHz.

MEASUREMENT:CLOCKRECOVERY:CLOCKMULTIPLIER

This command sets or queries the global clock multiplier used when explicit clock recovery is used for the measurement. This will affect measurements whose :MEASUREMENT:MEAS<x>:CLOCKRECOVERY:GLOBAL flag is set to 1.

Group	Measurement
Syntax	MEASUREMENT:CLOCKRECOVERY:CLOCKMULTIPLIER <NR3> MEASUREMENT:CLOCKRECOVERY:CLOCKMULTIPLIER?
Arguments	<NR3> is the global clock multiplier.
Examples	MEASUREMENT:CLOCKRECOVERY:CLOCKMULTIPLIER 1.000 sets the clock multiplier to 1.000. MEASUREMENT:CLOCKRECOVERY:CLOCKMULTIPLIER? might return :MEASUREMENT:CLOCKRECOVERY:CLOCKMULTIPLIER 1.0000 indicating the clock multiplier is set to 1.0000.

MEASUREMENT:CLOCKRECOVERY:CONSTCLOCKMODE

This command sets or queries the global constant clock mode used when constant clock recovery is used for the measurement. This will affect measurements whose :MEASUREMENT:MEAS<x>:CLOCKRECOVERY:GLOBAL flag is set to 1.

Group	Measurement
Syntax	MEASUREMENT:CLOCKRECOVERY:CONSTCLOCKMODE {MEAN MEDIAN FIXED} MEASUREMENT:CLOCKRECOVERY:CONSTCLOCKMODE?

Arguments	<p>MEAN sets the constant clock mode to MEAN.</p> <p>MEDian sets the constant clock mode to MEDian.</p> <p>FIXed sets the constant clock mode to FIXed.</p>
Examples	<p>MEASUREMENT:CLOCKRECOVERY:CONSTCLOCKMODE MEAN sets the constant clock mode to MEAN.</p> <p>MEASUREMENT:CLOCKRECOVERY:CONSTCLOCKMODE? might return :MEASUREMENT:CLOCKRECOVERY:CONSTCLOCKMODE MEAN indicating the constant clock mode is set to MEAN.</p>

MEASUREMENT:CLOCKRECOVERY:DAMPING

This command sets or queries the global damping value used when PLL clock recovery is used for the measurement. This will affect measurements whose :MEASUREMENT:MEAS<x>:CLOCKRECOVERY:GLOBAL flag is set to 1.

Group	Measurement
Syntax	<p>MEASUREMENT:CLOCKRECOVERY:DAMPING <NR3></p> <p>MEASUREMENT:CLOCKRECOVERY:DAMPING?</p>
Arguments	<NR3> is the global clock recovery damping value.
Examples	<p>MEASUREMENT:CLOCKRECOVERY:DAMPING</p> <p>:MEASUREMENT:CLOCKRECOVERY:DAMPING? might return :MEASUREMENT:CLOCKRECOVERY:DAMPING 700.0000E-3 indicating the damping value is set to</p>

MEASUREMENT:CLOCKRECOVERY:DATAPATH

This command sets or queries the global file containing the data pattern used when known data pattern clock recovery is used for the measurement. This will affect measurements whose :MEASUREMENT:MEAS<x>:CLOCKRECOVERY:GLOBAL flag is set to 1.

Group	Measurement
--------------	-------------

Syntax MEASUREMENT:CLOCKRECOVERY:DATAPATH <QString>
MEASUREMENT:CLOCKRECOVERY:DATAPATH?

Arguments <QString> is the path and filename, in quotes, of the file containing the data pattern.

Examples MEASUREMENT:CLOCKRECOVERY:DATAPATH "C:/E:" sets the data path to C:/E:.
MEASUREMENT:CLOCKRECOVERY:DATAPATH? might return
:MEASUREMENT:CLOCKRECOVERY:DATAPATH "C:/E".

MEASUREMENT:CLOCKRECOVERY:DATARATE

This command sets or queries the global nominal data bit rate used when nominal data rate clock recovery is used for the measurement. This will affect measurements whose :MEASUREMENT:MEAS<x>:CLOCKRECOVERY:GLOBAL flag is set to 1.

Group Measurement

Syntax MEASUREMENT:CLOCKRECOVERY:DATARATE <NR3>
MEASUREMENT:CLOCKRECOVERY:DATARATE?

Arguments <NR3> is the global value for the Nominal data rate.

Examples MEASUREMENT:CLOCKRECOVERY:DATARATE 2.0e+9 sets the data rate for clock recovery to 2.0 GHz.
MEASUREMENT:CLOCKRECOVERY:DATARATE? might return
:MEASUREMENT:CLOCKRECOVERY:DATARATE 2.5000E+9 indicating
the data rate is 2.5 GHz.

MEASUREMENT:CLOCKRECOVERY:EXPLICITCLOCKMODE

This command sets or queries the global explicit clock mode used when explicit clock recovery is used for the measurement. This will affect measurements whose :MEASUREMENT:MEAS<x>:CLOCKRECOVERY:GLOBAL flag is set to 1.

Group Measurement

Syntax	<pre>MEASUREMENT:CLOCKRECOVERY:EXPLICITCLOCKMODE {EDGE PLL} MEASUREMENT:CLOCKRECOVERY:EXPLICITCLOCKMODE?</pre>
Arguments	<p>EDGE sets the clock mode to clock edge.</p> <p>PLL sets the clock mode to phase locked loop.</p>
Examples	<p>MEASUREMENT:CLOCKRECOVERY:EXPLICITCLOCKMODE EDGE sets the clock mode to edge.</p> <p>MEASUREMENT:CLOCKRECOVERY:EXPLICITCLOCKMODE? might return :MEASUREMENT:CLOCKRECOVERY:EXPLICITCLOCKMODE EDGE indicating the clock mode is edge.</p>

MEASUREMENT:CLOCKRECOVERY:JTFBANDWIDTH

This command sets or queries the global JTF bandwidth used when PLL clock recovery is used for the measurement. This will affect measurements whose :MEASUREMENT:MEAS<x>:CLOCKRECOVERY:GLOBAL flag is set to 1.

Group	Measurement
Syntax	<pre>MEASUREMENT:CLOCKRECOVERY:JTFBANDWIDTH <NR3> MEASUREMENT:CLOCKRECOVERY:JTFBANDWIDTH?</pre>
Arguments	<NR3> is the global clock recovery JTF bandwidth.
Examples	<p>MEASUREMENT:CLOCKRECOVERY:JTFBANDWIDTH 2.0e6 sets the bandwidth to 2.0 MHz.</p> <p>MEASUREMENT:CLOCKRECOVERY:JTFBANDWIDTH? might return :MEASUREMENT:CLOCKRECOVERY:JTFBANDWIDTH 1.0000E+6 indicating the bandwidth is 1.0 MHz.</p>

MEASUREMENT:CLOCKRECOVERY:LOOPBANDWIDTH

This command sets or queries the global loop bandwidth used when PLL clock recovery is used for the measurement. This will affect measurements whose :MEASUREMENT:MEAS<x>:CLOCKRECOVERY:GLOBAL flag is set to 1.

Group	Measurement
--------------	-------------

Syntax MEASUREMENT:CLOCKRECOVERY:LOOPBANDWIDTH <NR3>
MEASUREMENT:CLOCKRECOVERY:LOOPBANDWIDTH?

Arguments <NR3> is the global loop bandwidth.

Examples MEASUREMENT:CLOCKRECOVERY:LOOPBANDWIDTH 2.0e6 sets the loop bandwidth to 2.0 MHz.

MEASUREMENT:CLOCKRECOVERY:LOOPBANDWIDTH? might return
:MEASUREMENT:CLOCKRECOVERY:LOOPBANDWIDTH 1.0000E+6 indicating the loop bandwidth is 1.0 MHz.

MEASUREMENT:CLOCKRECOVERY:MEANAUTOCALCULATE

This command sets or queries how often the clock is calculated when constant clock recovery is used for the measurement. This will affect measurements whose :MEASUREMENT:MEAS<x>:CLOCKRECOVERY:GLOBAL flag is set to 1.

Group Measurement

Syntax MEASUREMENT:CLOCKRECOVERY:MEANAUTOCALCULATE {FIRST|EVERY}
MEASUREMENT:CLOCKRECOVERY:MEANAUTOCALCULATE?

Arguments FIRST calculates the clock on the first acquisition.
EVERY calculates the clock on every acquisition.

Examples MEASUREMENT:CLOCKRECOVERY:MEANAUTOCALCULATE EVERY calculates the clock on every acquisition.

MEASUREMENT:CLOCKRECOVERY:MEANAUTOCALCULATE? might return
:MEASUREMENT:CLOCKRECOVERY:MEANAUTOCALCULATE FIRST indicating the clock is calculated on the first acquisition.

MEASUREMENT:CLOCKRECOVERY:METHOD

This command sets or queries the global clock recovery method for the measurement. This will affect measurements whose :MEASUREMENT:MEAS<x>:CLOCKRECOVERY:GLOBAL flag is set to 1.

Group Measurement

Syntax	<pre>MEASUREMENT:CLOCKRECOVERY:METHOD {PLL CONSTANTCLOCK EXPLICITCLOCK} MEASUREMENT:CLOCKRECOVERY:METHOD?</pre>
Arguments	<p>PLL specifies using the phase locked loop.</p> <p>CONSTANTCLOCK specifies using a constant clock.</p> <p>EXPLICITCLOCK specifies using an explicit clock.</p>
Examples	<p>MEASUREMENT:CLOCKRECOVERY:METHOD EXPLICITCLOCK specifies using an explicit clock.</p> <p>MEASUREMENT:CLOCKRECOVERY:METHOD? might return :MEASUREMENT:CLOCKRECOVERY:METHOD PLL indicating the method is set to PLL.</p>

MEASUREMENT:CLOCKRECOVERY:MODEL

This command sets or queries the global phase locked loop (PLL) clock recovery model used when PLL clock recovery is used for the measurement. This will affect measurements whose :MEASUREMENT:MEAS<x>:CLOCKRECOVERY:GLOBAL flag is set to 1.

Group	Measurement
Syntax	<pre>MEASUREMENT:CLOCKRECOVERY:MODEL TYPE<x> MEASUREMENT:CLOCKRECOVERY:MODEL?</pre>
Arguments	TYPE<x> sets PLL clock recovery to a PLL model type. Valid values are 1 or 2.
Examples	<p>MEASUREMENT:CLOCKRECOVERY:MODEL TYPE2 sets the model to type 2.</p> <p>MEASUREMENT:CLOCKRECOVERY:MODEL? might return :MEASUREMENT:CLOCKRECOVERY:MODEL TYPE1 indicating the recovery model is type 1.</p>

MEASUREMENT:CLOCKRECOVERY:NOMINALOFFSET

This command sets or queries the global offset value used when explicit clock recovery is used for the measurement. This will affect measurements whose :MEASUREMENT:MEAS<x>:CLOCKRECOVERY:GLOBAL flag is set to 1.

Group	Measurement
Syntax	MEASUREMENT:CLOCKRECOVERY:NOMINALOFFSET <NR3> MEASUREMENT:CLOCKRECOVERY:NOMINALOFFSET?
Arguments	<NR3> is the global clock offset.
Examples	MEASUREMENT:CLOCKRECOVERY:NOMINALOFFSET 1.0 sets the offset to 1.0. MEASUREMENT:CLOCKRECOVERY:NOMINALOFFSET? might return :MEASUREMENT:CLOCKRECOVERY:NOMINALOFFSET 0.0E+0 indicating the offset is set to 0.0.

MEASUREMENT:CLOCKRECOVERY:NOMINALOFFSET:SELECTIONTYPE

This command sets or queries the global offset type used when explicit clock recovery is used for the measurement. This will affect measurements whose :MEASUREMENT:MEAS<x>:CLOCKRECOVERY:GLOBAL flag is set to 1.

Group	Measurement
Syntax	MEASUREMENT:CLOCKRECOVERY:NOMINALOFFSET:SELECTIONTYPE {AUTO MANUAL} MEASUREMENT:CLOCKRECOVERY:NOMINALOFFSET:SELECTIONTYPE?
Arguments	AUTO sets the selection type to AUTO. MANUAL sets the selection type to MANUAL.
Examples	MEASUREMENT:CLOCKRECOVERY:NOMINALOFFSET:SELECTIONTYPE AUTO sets the selection type to auto. MEASUREMENT:CLOCKRECOVERY:NOMINALOFFSET:SELECTIONTYPE? might return :MEASUREMENT:CLOCKRECOVERY:NOMINALOFFSET:SELECTIONTYPE MANUAL indicating the selection type is manual.

MEASUREMENT:CLOCKRECOVERY:STANDARD

This command sets or queries the global communications standard used when PLL clock recovery is used for the measurement. This will affect measurements whose :MEASUREMENT:MEAS<x>:CLOCKRECOVERY:GLOBAL flag is set to 1.

Group	Measurement
Syntax	<pre>MEASUREMENT:CLOCKRECOVERY:STANDARD {CUSTOM ENET100 FW1394BS400B FW1394BS800B FW1394BS1600B FBD1 FBD2 FBD3 FC133 FC266 FC531 FC1063 FC2125 FC4250 FC8500 ENET1000 IBA2500 IBA_GEN2 OC1 OC3 OC12 OC48 PCIE_GEN1 PCIE_GEN2 PCIE_GEN3 RIO125 RIO250 RIO3125 SAS15_NOSSC SAS3_NOSSC SAS6_NOSSC SAS12_NOSSC SAS15_SSC SAS3_SSC SAS6_SSC SAS12_SSC SATA_GEN1 SATA_GEN2 SATA_GEN3 USB3 XAUI XAUI_GEN2} MEASUREMENT:CLOCKRECOVERY:STANDARD?</pre>
Arguments	<p>CUSTOM sets a custom standard.</p> <p>ENET100 sets the standard to ENET100.</p> <p>FW1394BS400B sets the standard to FW1394BS400B.</p> <p>FW1394BS800B sets the standard to FW1394BS800B.</p> <p>FW1394BS1600B sets the standard to FW1394BS1600B.</p> <p>FBD1 sets the standard to FBD1.</p> <p>FBD2 sets the standard to FBD2.</p> <p>FBD3 sets the standard to FBD3.</p> <p>FC133 sets the standard to FC133.</p> <p>FC266 sets the standard to FC266.</p> <p>FC531 sets the standard to FC531.</p> <p>FC1063 sets the standard to FC1063.</p> <p>FC2125 sets the standard to FC2125.</p> <p>FC4250 sets the standard to FC4250.</p> <p>FC8500 sets the standard to FC8500.</p> <p>ENET1000 sets the standard to ENET1000.</p> <p>IBA2500 sets the standard to IBA2500.</p> <p>IBA_GEN2 sets the standard to IBA_GEN2.</p> <p>OC1 sets the standard to OC1.</p> <p>OC3 sets the standard to OC3.</p> <p>OC12 sets the standard to OC12.</p> <p>OC48 sets the standard to OC48.</p>

PCIE_GEN1 sets the standard to PCIE_GEN1.
PCIE_GEN2 sets the standard to PCIE_GEN2.
PCIE_GEN3 sets the standard to PCIE_GEN3.
RIO125 sets the standard to RIO125.
RIO250 sets the standard to RIO250.
RIO3125 sets the standard to RIO3125.
SAS15_NOSSC sets the standard to SAS15_NOSSC.
SAS3_NOSSC sets the standard to SAS3_NOSSC.
SAS6_NOSSC sets the standard to SAS6_NOSSC.
SAS12_NOSSC sets the standard to SAS12_NOSSC.
SAS15_SSC sets the standard to SAS15_SSC.
SAS3_SSC sets the standard to SAS3_SSC.
SAS6_SSC sets the standard to SAS6_SSC.
SAS12_SSC sets the standard to SAS12_SSC.
SATA_GEN1 sets the standard to SATA_GEN1.
SATA_GEN2 sets the standard to SATA_GEN2.
SATA_GEN3 sets the standard to SATA_GEN3.
USB3 sets the standard to USB3.
XAUI sets the standard to XAUI.
XAUI_GEN2 sets the standard to XAUI_GEN2.

Examples MEASUREMENT:CLOCKRECOVERY:STANDARD PCIE_GEN3 sets the standard to PCIE_GEN3.
MEASUREMENT:CLOCKRECOVERY:STANDARD? might return :MEASUREMENT:CLOCKRECOVERY:STANDARD PCIE_GEN1 indicating the standard is set to PCIE_GEN1.

MEASUREMENT:CLOCKRECOVERY:TDCOMPENSATION

This command sets the PLL clock recovery loop feedback time-constants such that the actual transfer function matches closely to a mathematical filter polynomial. This will affect measurements whose :MEASUREMENT:MEAS<x>:CLOCKRECOVERY:GLOBAL flag is set to 1.

Group	Measurement
Syntax	MEASUREMENT:CLOCKRECOVERY:TDCOMPENSATION {1 0} MEASUREMENT:CLOCKRECOVERY:TDCOMPENSATION?
Arguments	1 specifies automatic transition density compensation is on. 0 specifies automatic transition density compensation is off.
Examples	MEASUREMENT:CLOCKRECOVERY:TDCOMPENSATION 1 sets automatic transition density compensation to on for PLL. MEASUREMENT:CLOCKRECOVERY:TDCOMPENSATION? might return :MEASUREMENT:CLOCKRECOVERY:TDCOMPENSATION 0, indicating automatic transition density compensation is off.

MEASUREMENT:DELETE (No Query Form)

The command deletes the specified measurement.

Group	Measurement
Syntax	MEASUREMENT:DELETE <QString>
Arguments	<QString> is the measurement to delete. Argument is of the form "MEAS<NR1>" where <NR1> is ≥ 1 .
Examples	MEASUREMENT:DELETE "MEAS4" deletes measurement 4.

MEASUREMENT:DELETEALL (No Query Form)

This command deletes all the active instances of measurements defined in the scope application.

Group	Measurement
Syntax	MEASUREMENT:DELETEALL

Examples `MEASUREMENT:DELETEALL` deletes all the active instances of measurements.

MEASUREMENT:DIRACMODEL

This command sets or queries the dirac model used to separate random from deterministic jitter for jitter measurements.

Group Measurement

Syntax `MEASUREMENT:DIRACMODEL {PCIExpress|FIBREchannel}`
`MEASUREMENT:DIRACMODEL?`

Arguments `PCIExpress` specifies the PCIExpress dirac model.
`FIBREchannel` specifies the FIBREchannel dirac model.

Examples `MEASUREMENT:DIRACMODEL FIBRECHANNEL` sets the dirac model to FIBRECHANNEL.

`MEASUREMENT:DIRACMODEL?` might return `:MEASUREMENT:DIRACMODEL PCIEXPRESS` indicating the dirac model is set to PCIECPRESS.

MEASUREMENT:DISPLAYUNITS

This command sets or queries the display units used for jitter summary measurements.

Group Measurement

Syntax `MEASUREMENT:DISPLAYUNITS {SECONDS|UNITINTERVALS}`
`MEASUREMENT:DISPLAYUNITS?`

Arguments `SECONDS` set the display units to seconds.
`UNITINTERVALS` set the display units to unit intervals.

Examples `MEASUREMENT:DISPLAYUNITS UNITINTERVALS` sets the display units to unit intervals.

`MEASUREMENT:DISPLAYUNITS?` might return `:MEASUREMENT:DISPLAYUNITS SECONDS` indicating the display units are seconds.

MEASUREMENT:EDGE<x>

This command sets or queries the type of the edge for the measurement.

Group	Measurement
Syntax	MEASUREMENT:EDGE<x> {RISE FALL BOTH}
Arguments	FALL specifies the falling edge of the waveform. RISE specifies the rising edge of the waveform. BOTH specifies both a rising and falling edge of the waveform.
Examples	MEASUREMENT:EDGE2 MEASUREMENT:EDGE2? might return :MEASUREMENT:EDGE2 BOTH indicating

MEASUREMENT:EYERENDER

This command sets or queries the state of high-performance eye rendering for an eye diagram.

Group	Measurement
Syntax	MEASUREMENT:EYERENDER {<NR1> OFF ON} MEASUREMENT:EYERENDER?
Arguments	<NR1> = 0 disables high-performance eye rendering for an eye diagram; any other value turns this feature on. OFF disables high-performance eye rendering for an eye diagram. ON enables high-performance eye rendering for an eye diagram.
Examples	MEASUREMENT:EYERENDER MEASUREMENT:EYERENDER? might return :MEASUREMENT:EYERENDER 1 indicating high-performance eye rendering is on.

MEASUREMENT:FILTERS:BLANKINGTIME

This command sets or queries the global filter blanking time.

Group	Measurement
Syntax	MEASUREMENT:FILTERS:BLANKINGTIME <NR3> MEASUREMENT:FILTERS:BLANKINGTIME?
Arguments	<NR3> is the current filter blanking time.
Examples	MEASUREMENT:FILTERS:BLANKINGTIME 3.0 sets the blanking time to 3.0. MEASUREMENT:FILTERS:BLANKINGTIME? might return :MEASUREMENT:FILTERS:BLANKINGTIME 4.0000 indicating the blanking time is 4.0.

MEASUREMENT:FILTERS:HIGHPASS:FREQ

This command sets or queries the global high pass filter frequency for the measurement.

Group	Measurement
Syntax	MEASUREMENT:FILTERS:HIGHPASS:FREQ <NR3> MEASUREMENT:FILTERS:HIGHPASS:FREQ?
Arguments	<NR3> is the current high pass filter frequency.
Examples	MEASUREMENT:FILTERS:HIGHPASS:FREQ 20.0e6 sets the frequency to 20 MHz. MEASUREMENT:FILTERS:HIGHPASS:FREQ? might return :MEASUREMENT:FILTERS:HIGHPASS:FREQ 10.0000E+6 indicating the filter frequency is set to 10.0 MHz.

MEASUREMENT:FILTERS:HIGHPASS:SPEC

This command sets or queries the global high pass filter order for the measurement.

Group	Measurement
Syntax	MEASUREMENT:FILTERS:HIGHPASS:SPEC {NONE FIRST SECOND THIRD} MEASUREMENT:FILTERS:HIGHPASS:SPEC?
Arguments	NONE specifies no high pass filter. FIRST specifies a first order high pass filter. SECOND specifies a second order high pass filter. THIRD specifies a third order high pass filter.
Examples	MEASUREMENT:FILTERS:HIGHPASS:SPEC NONE specifies no high pass filter. MEASUREMENT:FILTERS:HIGHPASS:SPEC? might return :MEASUREMENT:FILTERS:HIGHPASS:SPEC SECOND indicating a second order high pass filter.

MEASUREMENT:FILTERS:LOWPASS:FREQ

This command sets or queries the global low pass filter cutoff frequency for the measurement.

Group	Measurement
Syntax	MEASUREMENT:FILTERS:LOWPASS:FREQ <NR3> MEASUREMENT:FILTERS:LOWPASS:FREQ?
Arguments	<NR3> is the current low pass filter frequency.
Examples	MEASUREMENT:FILTERS:LOWPASS:FREQ 20.0e6 sets the low pass frequency to 20 MHz. MEASUREMENT:FILTERS:LOWPASS:FREQ? might return :MEASUREMENT:FILTERS:LOWPASS:FREQ 10.0000E+6 indicating the low pass frequency is 10.0 MHz.

MEASUREMENT:FILTERS:LOWPASS:SPEC

This command sets or queries the global low pass filter order for the measurement.

Group	Measurement
Syntax	MEASUREMENT:FILTERS:LOWPASS:SPEC {NONE FIRST SECOND THIRD} MEASUREMENT:FILTERS:LOWPASS:SPEC?
Arguments	NONE specifies no low pass filter. FIRST specifies a first order low pass filter. SECOND specifies a second order low pass filter. THIRD specifies a third order low pass filter.
Examples	MEASUREMENT:FILTERS:LOWPASS:SPEC SECOND specifies a second order low pass filter. MEASUREMENT:FILTERS:LOWPASS:SPEC? might return :MEASUREMENT:FILTERS:LOWPASS:SPEC NONE indicating no low pass filter.

MEASUREMENT:FILTERS:RAMPTIME

This command sets or queries the global filter ramp time for the measurement.

Group	Measurement
Syntax	MEASUREMENT:FILTERS:RAMPTIME <NR3> MEASUREMENT:FILTERS:RAMPTIME?
Arguments	<NR3> is the current filter ramp time.
Examples	MEASUREMENT:FILTERS:RAMPTIME 3.0 sets the ramp time to 3.0. MEASUREMENT:FILTERS:RAMPTIME? might return :MEASUREMENT:FILTERS:RAMPTIME 2.0000 indicating the ramp time is 2.0.

MEASUREMENT:GATING

This command sets or queries the global gating type for the measurement.

Group	Measurement
--------------	-------------

Syntax MEASUREMENT:GATING {NONE|SCREEN|CURSOR|LOGIC|SEARCH|TIME}
MEASUREMENT:GATING?

Related Commands [MEASUREMENT:GATING:ENDTIME](#)
[MEASUREMENT:GATING:STARTTIME](#)

Arguments NONE turns off measurement gating.
SCREEN turns on gating, using the left and right edges of the screen.
CURSOR limits measurements to the portion of the waveform between the vertical bar cursors, even if they are off screen.
LOGIC specifies that measurements are taken only on the portion of the waveform where the logic source is in the active state.
SEARCH specifies that measurements are taken based on search criteria.
TIME limits measurements to the portion of the waveform between the Start and End gate times

Examples MEASUREMENT:GATING SCREEN turns on measurement gating, using the left and right edges of the screen.
MEASUREMENT:GATING? might return :MEASUREMENT:GATING CURSOR, indicating that measurements are limited to the portion of the waveform between the vertical bar cursors.

MEASUREMENT:GATING:ACTIVE

This command sets or queries the global gating active level used for logic gating.

Group Measurement

Syntax MEASUREMENT:GATING:ACTIVE {HIGH|LOW}
MEASUREMENT:GATING:ACTIVE?

Arguments HIGH specifies the gate is HIGH.
LOW specifies the gate is LOW.

Examples `MEASUREMENT:GATING:ACTIVE LOW` specifies a low gate.
`MEASUREMENT:GATING:ACTIVE?` might return
`:MEASUREMENT:GATING:ACTIVE HIGH` indicating the gate is high.

MEASUREMENT:GATING:ENDtime

Sets or queries the end gate time for all measurements that use Global gating.

Group Measurement

Syntax `MEASUREMENT:GATING:ENDtime <NR3>`
`MEASUREMENT:GATING:ENDtime?`

Related Commands [MEASUREMENT:GATING](#)

Arguments `<NR3>` is the time gating end gate time in seconds. The valid range is -10000 s to 10000 s.

Examples `MEASUREMENT:GATING:ENDtime 5.31e-2` sets the global end gate time to 53.1 ms.
`MEASUREMENT:GATING:ENDtime?` might return 1.05 indicating that the global end gate time is 1.05 s

MEASUREMENT:GATING:HYSteresis

This command sets or queries the global gating hysteresis value used for logic gating.

Group Measurement

Syntax `MEASUREMENT:GATING:HYSteresis <NR3>`
`MEASUREMENT:GATING:HYSteresis?`

Arguments `<NR3>` is the gating hysteresis.

Examples `MEASUREMENT:GATING:HYSTERESIS 40.0e-3` sets the hysteresis to 40 mV.
`MEASUREMENT:GATING:HYSTERESIS?` might return
`:MEASUREMENT:GATING:HYSTERESIS 30.0000E-3` indicating the hysteresis is 30 mV.

MEASUREMENT:GATING:LOGICSource

This command sets or queries the gating data source used for logic gating.

Group Measurement

Syntax `MEASUREMENT:GATING:LOGICSource {CH<x>|MATH<x>|REF<x>}`
`MEASUREMENT:GATING:LOGICSource?`

Arguments `CH<x>` specifies an analog channel as source.
`MATH<x>` specifies a math channel as source.
`REF<x>` specifies a reference waveform as the source.

Examples `MEASUREMENT:GATING:LOGICSOURCE MATH1` sets the logic source to MATH 1.
`MEASUREMENT:GATING:LOGICSOURCE?` might return
`:MEASUREMENT:GATING:LOGICSOURCE CH6` indicating the logic source is channel 6.

MEASUREMENT:GATING:MIDRef

This command sets or queries the global gating mid ref value used for logic gating.

Group Measurement

Syntax `MEASUREMENT:GATING:MIDRef <NR3>`
`MEASUREMENT:GATING:MIDRef?`

Arguments `<NR3>` is the mid ref value for gating.

Examples `MEASUREMENT:GATING:MIDREF 2.0` set the gating mid ref to 2.0 V.
`MEASUREMENT:GATING:MIDREF?` might return
`:MEASUREMENT:GATING:MIDREF 1.5000` indicating the gating mid ref is 1.5 V.

MEASUREMENT:GATING:SEARCHSOURCE

This command sets or queries the global gating search source when the gating type is search.

Group Measurement

Syntax MEASUREMENT:GATING:SEARCHSOURCE SEARCH<x>
MEASUREMENT:GATING:SEARCHSOURCE?

Arguments SEARCH<x> specifies the search source.

Examples MEASUREMENT:GATING:SEARCHSOURCE SEARCH1 set the search source to search 1.

MEASUREMENT:GATING:SEARCHSOURCE? might return
:MEASUREMENT:GATING:SEARCHSOURCE UNDEFINED indicating the search source is not defined.

MEASUREMENT:GATING:STARTTIME

Sets or queries the start gate time for all measurements that use Global gating.

Group Measurement

Syntax MEASUREMENT:GATING:STARTTIME <NR3>
MEASUREMENT:GATING:STARTTIME?

Related Commands [MEASUREMENT:GATING](#)

Arguments <NR3> is the time gating start gate time in seconds. The valid range is -10000 s to 10000 s.

Examples MEASUREMENT:GATING:STARTTIME -1.5e-3 sets the global start gate time to -1.5 ms.

MEASUREMENT:GATING:STARTTIME? might return 3.0e-9, indicating that the global start gate time is 3 ns.

MEASUREMENT:HIGHELEVEL:CONFIGURATION

This command sets or queries the global input and output configuration.

Group	Measurement, IMDA
Syntax	MEASUREMENT:HIGHELEVEL:CONFIGURATION {INPUT OUTPUT} MEASUREMENT:HIGHELEVEL:CONFIGURATION?
Arguments	INPUT specifies the source settings configuration as input. OUTPUT specifies the source settings configuration as output.
Examples	MEASUREMENT:HIGHELEVEL:CONFIGURATION INPUT sets the source settings configuration as input. MEASUREMENT:HIGHELEVEL:CONFIGURATION? might return :MEASUREMENT:HIGHELEVEL:CONFIGURATION INPUT, indicating the source settings configuration is input.

MEASUREMENT:HIGHELEVEL:EDGEQUALIFIER

This command sets or queries global input edge qualifier source.

Group	Measurement, IMDA
Syntax	MEASUREMENT:HIGHELEVEL:EDGEQUALIFIER {CH<x> MATH<x> REF<x>} MEASUREMENT:HIGHELEVEL:EDGEQUALIFIER?
Arguments	CH<x> specifies an analog channel as source. MATH<x> specifies a math channel as source. REF<x> specifies a reference waveform as the source.
Examples	MEASUREMENT:HIGHELEVEL:EDGEQUALIFIER CH1 sets the global input edge qualifier source as channel 1. MEASUREMENT:HIGHELEVEL:EDGEQUALIFIER? might return :MEASUREMENT:HIGHELEVEL:EDGEQUALIFIER CH1, indicating the global input edge qualifier source is channel 1.

MEASUREMENT:HIGHPASS:INLOWPASS:FREQ

This command sets or queries global input low pass filter frequency.

Group	Measurement, IMDA
Syntax	MEASUREMENT:HIGHPASS:INLOWPASS:FREQ <NR3> MEASUREMENT:HIGHPASS:INLOWPASS:FREQ?
Arguments	<NR3> specifies the global input low pass filter frequency. The argument range is 20 Hz to 10e6 Hz.
Examples	MEASUREMENT:HIGHPASS:INLOWPASS:FREQ 1e3 sets the global input low pass filter frequency as 1e3 Hz. MEASUREMENT:HIGHPASS:INLOWPASS:FREQ? might return :MEASUREMENT:HIGHPASS:INLOWPASS:FREQ 1e3, indicating the global input low pass filter frequency is 1e3 Hz.

MEASUREMENT:HIGHPASS:INLOWPASS:SPEC

This command sets or queries global input low pass filter order.

Group	Measurement, IMDA
Syntax	MEASUREMENT:HIGHPASS:INLOWPASS:SPEC {NONE FIRST SECOND THIRD} MEASUREMENT:HIGHPASS:INLOWPASS:SPEC?
Arguments	NONE specifies the global input low pass filter order as none. FIRST specifies the global input low pass filter order as first. SECOND specifies the global input low pass filter order as second. THIRD specifies the global input low pass filter order as third.
Examples	MEASUREMENT:HIGHPASS:INLOWPASS:SPEC FIRST sets the global input low pass filter order as first. MEASUREMENT:HIGHPASS:INLOWPASS:SPEC? might return :MEASUREMENT:HIGHPASS:INLOWPASS:SPEC FIRST, indicating the global input low pass filter order is first.

MEASUREMENT:HIGHEVEL:L2LTOL2N

This command enables the Line-to-Line to Line-to-Neutral Conversion.

Group	Measurement, IMDA
Syntax	MEASUREMENT:HIGHEVEL:L2LTOL2N {0 1} MEASUREMENT:HIGHEVEL:L2LTOL2N?
Examples	MEASUREMENT:HIGHEVEL:L2LTOL2N 1 enables Line-to-Line to Line-to-Neutral Conversion. MEASUREMENT:HIGHEVEL:L2LTOL2N? might return :MEASUREMENT:HIGHEVEL:L2LTOL2N 0, indicating Line-to-Line to Line-to-Neutral Conversion is disabled.

MEASUREMENT:HIGHEVEL:LINESELECTED

This command sets or queries global input select lines.

Group	Measurement, IMDA
Syntax	MEASUREMENT:HIGHEVEL:LINESELECTED {ABCB ACBC BACA AN BN CN} MEASUREMENT:HIGHEVEL:LINESELECTED?
Arguments	ABCB specifies the global input select lines as ABCB. ACBC specifies the global input select lines as ACBC. BACA specifies the global input select lines as BACA. AN specifies the global input select lines as AN. BN specifies the global input select lines as BN. CN specifies the global input select lines as CN.
Examples	MEASUREMENT:HIGHEVEL:LINESELECTED ABCB sets the global input select lines as ABCB. MEASUREMENT:HIGHEVEL:LINESELECTED? might return :MEASUREMENT:HIGHEVEL:LINESELECTED ABCB, indicating the global input select lines is ABCB.

MEASUREMENT:HIGHPASS:OUTEDGEQUALIFIER

This command sets or queries global output edge qualifier source.

Group	Measurement, IMDA
Syntax	MEASUREMENT:HIGHPASS:OUTEDGEQUALIFIER {CH<x> MATH<x> REF<x>} MEASUREMENT:HIGHPASS:OUTEDGEQUALIFIER?
Arguments	CH<x> specifies an analog channel as source. MATH<x> specifies a math channel as source. REF<x> specifies a reference waveform as the source.
Examples	MEASUREMENT:HIGHPASS:OUTEDGEQUALIFIER CH1 sets the global output edge qualifier source as channel 1. MEASUREMENT:HIGHPASS:OUTEDGEQUALIFIER? might return :MEASUREMENT:HIGHPASS:OUTEDGEQUALIFIER CH1, indicating the global output edge qualifier source is channel 1.

MEASUREMENT:HIGHPASS:OUTLOWPASS:FREQ

This command sets or queries global output low pass filter frequency.

Group	Measurement, IMDA
Syntax	MEASUREMENT:HIGHPASS:OUTLOWPASS:FREQ <NR3> MEASUREMENT:HIGHPASS:OUTLOWPASS:FREQ?
Arguments	<NR3> specifies the global output low pass filter frequency. The argument range is 20 Hz to 10e6 Hz.
Examples	MEASUREMENT:HIGHPASS:OUTLOWPASS:FREQ 1e3 sets the global output low pass filter frequency as 1e3 Hz. MEASUREMENT:HIGHPASS:OUTLOWPASS:FREQ? might return :MEASUREMENT:HIGHPASS:OUTLOWPASS:FREQ 1e3, indicating the global output low pass filter frequency is 1e3 Hz.

MEASUREMENT:HIGHEVEL:OUTLOWPASS:SPEC

This command sets or queries global output low pass filter order.

Group	Measurement, IMDA
Syntax	MEASUREMENT:HIGHEVEL:OUTLOWPASS:SPEC {NONE FIRST SECOND THIRD} MEASUREMENT:HIGHEVEL:OUTLOWPASS:SPEC?
Arguments	NONE specifies the global output low pass filter order as none. FIRST specifies the global output low pass filter order as first. SECOND specifies the global output low pass filter order as second. THIRD specifies the global output low pass filter order as third.
Examples	MEASUREMENT:HIGHEVEL:OUTLOWPASS:SPEC FIRST sets the global output low pass filter order as first. MEASUREMENT:HIGHEVEL:OUTLOWPASS:SPEC? might return :MEASUREMENT:HIGHEVEL:OUTLOWPASS:SPEC FIRST, indicating the global output low pass filter order is first.

MEASUREMENT:HIGHEVEL:OUTL2LTOL2N

This command sets or queries global output Line-to-Line to Line-to-Neutral Conversion.

Group	Measurement, IMDA
Syntax	MEASUREMENT:HIGHEVEL:OUTL2LTOL2N {0 1} MEASUREMENT:HIGHEVEL:OUTL2LTOL2N?
Examples	MEASUREMENT:HIGHEVEL:OUTL2LTOL2N 1 enables global output Line-to-Line to Line-to-Neutral Conversion. MEASUREMENT:HIGHEVEL:OUTL2LTOL2N? might return :MEASUREMENT:HIGHEVEL:OUTL2LTOL2N 0, indicating global output Line-to-Line to Line-to-Neutral Conversion is disabled.

MEASUREMENT:HIGHEVEL:OUTLINESELECTED

This command sets or queries global output select lines.

Group	Measurement, IMDA
Syntax	MEASUREMENT:HIGHEVEL:OUTLINESELECTED {XYZY XZYX YXZX XN YN ZN} MEASUREMENT:HIGHEVEL:OUTLINESELECTED?
Arguments	XYZY specifies the global output select lines as XYZY. XZYX specifies the global output select lines as XZYX. YXZX specifies the global output select lines as YXZX. XN specifies the global output select lines as XN. YN specifies the global output select lines as YN. ZN specifies the global output select lines as ZN.
Examples	MEASUREMENT:HIGHEVEL:OUTLINESELECTED XYZY sets the global output select lines as XYZY. MEASUREMENT:HIGHEVEL:OUTLINESELECTED? might return :MEASUREMENT:HIGHEVEL:OUTLINESELECTED XYZY, indicating the global output select lines is XYZY.

MEASUREMENT:HIGHEVEL:OUTSOURCE

This command sets or queries global output source.

Group	Measurement, IMDA
Syntax	MEASUREMENT:HIGHEVEL:OUTSOURCE {CH<x> MATH<x> REF<x>} MEASUREMENT:HIGHEVEL:OUTSOURCE?
Arguments	CH<x> specifies an analog channel as source. MATH<x> specifies a math channel as source. REF<x> specifies a reference waveform as the source.

Examples MEASUREMENT:HIGHLEVEL:OUTSOURCE CH1 sets the global output source as channel 1.

MEASUREMENT:HIGHLEVEL:OUTSOURCE? might return
:MEASUREMENT:HIGHLEVEL:OUTSOURCE CH1, indicating the global output source is channel 1.

MEASUREMENT:HIGHLEVEL:OUTWIRING

This command sets or queries the global output wiring.

Group Measurement, IMDA

Syntax MEASUREMENT:HIGHLEVEL:OUTWIRING
{P1W2V1I1|P3W3V2I2|P3W3V3I3|P3W3|DCP1W2}
MEASUREMENT:HIGHLEVEL:OUTWIRING?

Arguments P1W2V1I1 specifies 1 phase- 2 wire (with 1 voltage and 1 current sources) wiring configuration.

P3W3V2I2 specifies 3 phase- 3 wire (with 2 voltage and 2 current sources) wiring configuration.

P3W3V3I3 specifies 3 phase- 3 wire (with 3 voltage and 3 current sources) wiring configuration.

P3W3 specifies 3 phase and 3 wire, the 3rd wire being Neutral.

DCP1W2 specifies DC 1 phase and 2 wire, the 2nd wire being Neutral.

Examples MEASUREMENT:HIGHLEVEL:OUTWIRING P3W3 sets the global output wiring configuration to P3W3.

MEASUREMENT:HIGHLEVEL:OUTWIRING? might return
:MEASUREMENT:HIGHLEVEL:OUTWIRING P3W3V3I3, indicating the global output wiring configuration is P3W3V3I3.

MEASUREMENT:HIGHLEVEL:SOURCE

This command sets or queries global input source.

Group Measurement, IMDA

Syntax	MEASUREMENT:HIGHPLEVEL:SOURCE {CH<x> MATH<x> REF<x>} MEASUREMENT:HIGHPLEVEL:SOURCE?
Arguments	CH<x> specifies an analog channel as source. MATH<x> specifies a math channel as source. REF<x> specifies a reference waveform as the source.
Examples	MEASUREMENT:HIGHPLEVEL:SOURCE CH1 sets the global input source as channel 1. MEASUREMENT:HIGHPLEVEL:SOURCE? might return :MEASUREMENT:HIGHPLEVEL:SOURCE CH1, indicating the global input source is channel 1.

MEASUREMENT:HIGHPLEVEL:WIRING

This command sets or queries the wiring configuration for the measurement.

Group	Measurement, IMDA
Syntax	MEASUREMENT:HIGHPLEVEL:WIRING {P1W2V1I1 P1W3V2I2 P3W3V2I2 P3W3V3I3 P3W3 DCP1W2} MEASUREMENT:HIGHPLEVEL:WIRING?
Arguments	P1W2V1I1 specifies 1 phase- 2 wire (with 1 voltage and 1 current sources) wiring configuration. P1W3V2I2 specifies 1 phase- 3 wire (with 2 voltage and 2 current sources) wiring configuration. P3W3V2I2 specifies 3 phase- 3 wire (with 2 voltage and 2 current sources) wiring configuration. P3W3V3I3 specifies 3 phase- 3 wire (with 3 voltage and 3 current sources) wiring configuration. P3W3 specifies 3 phase and 3 wire, the 3rd wire being Neutral. DCP1W2 specifies DC 1 phase and 2 wire, the 2nd wire being Neutral.
Examples	MEASUREMENT:HIGHPLEVEL:WIRING P3W4 sets the wiring configuration to P3W3.

MEASUREMENT:HIGLEVEL:WIRING? might return
:MEASUREMENT:HIGLEVEL:WIRING P3W3V3I3, indicating the wiring
configuration is P3W3V3I3.

MEASUREMENT:INTERP

This command sets or queries the interpolation mode used to locate edge crossings.

Group	Measurement
Syntax	MEASUREMENT:INTERP {AUTO SINX LINEAR} MEASUREMENT:INTERP?
Arguments	AUTO automatically selects the interpolation mode. SINX specifies $\sin(x)/x$ interpolation, where acquired points are fit to a curve. LINEAR specifies linear interpolation, where acquired points are connected with straight lines.
Examples	MEASUREMENT:INTERP SINX set the interpolation mode to $\sin(x)/x$. MEASUREMENT:INTERP? might return :MEASUREMENT:INTERP AUTO indicating the interpolation mode is auto.

MEASUREMENT:JITTERMODEL

This command sets or queries the model used to separate random from deterministic jitter for jitter measurements.

Group	Measurement
Syntax	MEASUREMENT:JITTERMODEL {SPECTRAL SPECTRALBUJ} MEASUREMENT:JITTERMODEL?
Arguments	SPECTRAL sets the jitter separation model to spectral only. SPECTRALBUJ sets the jitter separation model to spectral plus BUJ.

Examples `MEASUREMENT: JITTERMODEL SPECTRAL` set the jitter model to spectral.
`MEASUREMENT: JITTERMODEL?` might return `:MEASUREMENT: JITTERMODEL SPECTRAL` indicating the jitter model is set to spectral.

MEASUREMENT:LIST? (Query Only)

This query returns a comma separated list of all currently defined measurements.

Group Measurement

Syntax `MEASUREMENT:LIST?`

Returns Returns a list of all currently defined measurements. When no measurements are defined, the command returns NONE.

Examples `MEASUREMENT:LIST?` might return `:MEASUREMENT:LIST MEAS1,MEAS2,MEAS3,MEAS4,MEAS5,MEAS6` indicating 6 measurements are defined.

MEASUREMENT:LOCKRJ

This command sets or queries the state of RJ locking.

Group Measurement

Syntax `MEASUREMENT:LOCKRJ {OFF|ON|1|0}`
`MEASUREMENT:LOCKRJ?`

Arguments ON indicates that RJ locking is active.
OFF indicates that RJ locking is off.
1 turns on RJ locking. Any number value other than 0 will turn RJ locking on.
0 turns off RJ locking.

Examples `MEASUREMENT:LOCKRJ ON` activates RJ locking

MEASUREMENT:LOCKRJValue

This command sets or queries the RJ lock value.

Group	Measurement
Syntax	MEASUREMENT:LOCKRJValue <NR3> MEASUREMENT:LOCKRJValue?
Arguments	<NR3> default value = 1e-12; minimum value = 1e-15; maximum value = 1.
Examples	MEASUREMENT:LOCKRJVALUE 1 sets the lock value to the maximum value of 1. MEASUREMENT:LOCKRJVALUE? might return :MEASUREMENT:LOCKRJVALUE 1.0000E-12, indicating the lock value is set to the default value of 1e-12.

MEASUREMENT:MATH<x>:REFLEVELS:ABSOLUTE:FALLHIGH

This command sets or queries the value used as the high reference level of the falling edge when the measurement ref level method is set to absolute. The math number is specified by x.

Group	Measurement
Syntax	MEASUREMENT:MATH<x>:REFLEVELS:ABSOLUTE:FALLHIGH <NR3> MEASUREMENT:MATH<x>:REFLEVELS:ABSOLUTE:FALLHIGH?
Arguments	MATH<x> specifies the math number. <NR3> is the high reference level, and is the zero percent level when MEASUREMENT:IMMED:REFLEVEL:METHOD is set to Absolute.
Examples	MEASUREMENT:MATH1:REFLEVELS:ABSOLUTE:FALLHIGH 1.5 sets the reference level to 1.5 V. MEASUREMENT:MATH2:REFLEVELS:ABSOLUTE:FALLHIGH? might return :MEASUREMENT:MATH2:REFLEVELS:ABSOLUTE:FALLHIGH 1.0000 indicating the reference level is 1.0 V.

MEASUREMENT:MATH<x>:REFLEVELS:ABSOLUTE:FALLLOW

This command sets or queries the value used as the low reference level of the falling edge when the measurement ref level method is set to absolute. The math number is specified by x.

Group	Measurement
Syntax	MEASUREMENT:MATH<x>:REFLEVELS:ABSOLUTE:FALLLOW <NR3> MEASUREMENT:MATH<x>:REFLEVELS:ABSOLUTE:FALLLOW?
Arguments	MATH<x> specifies the math number. <NR3> is the high reference level, and is the zero percent level when MEASUREMENT:IMMED:REFLEVEL:METHOD is set to Absolute.
Examples	MEASUREMENT:MATH2:REFLEVELS:ABSOLUTE:FALLLOW -1.5 sets the reference level to -1.5 V. MEASUREMENT:MATH2:REFLEVELS:ABSOLUTE:FALLLOW? might return :MEASUREMENT:MATH2:REFLEVELS:ABSOLUTE:FALLLOW -1.0000 indicating the reference level is -1.0 V.

MEASUREMENT:MATH<x>:REFLEVELS:ABSOLUTE:FALLMID

This command sets or queries the value used as the mid reference level of the falling edge when the measurement ref level method is set to absolute. The math number is specified by x.

Group	Measurement
Syntax	MEASUREMENT:MATH<x>:REFLEVELS:ABSOLUTE:FALLMID <NR3> MEASUREMENT:MATH<x>:REFLEVELS:ABSOLUTE:FALLMID?
Arguments	MATH<x> specifies the math number. <NR3> is the mid reference level (where 50% is equal to MID) used to calculate the mid reference level when the measurement's Ref level method is set to Absolute.
Examples	MEASUREMENT:MATH2:REFLEVELS:ABSOLUTE:FALLMID 0.0 sets the reference level to 0.0 V.

MEASUREMENT:MATH2:REFLEVELS:ABSOLUTE:FALLMID? might return
:MEASUREMENT:MATH2:REFLEVELS:ABSOLUTE:FALLMID 0.0E+0 indicating
the reference level is 0.0 V.

MEASUREMENT:MATH<x>:REFLEVELS:ABSOLUTE:HYS TERESIS

This command sets or queries the value of the hysteresis of the reference level when the measurement ref level method is set to absolute. The math number is specified by x.

Group	Measurement
Syntax	MEASUREMENT:MATH<x>:REFLEVELS:ABSOLUTE:HYS TERESIS <NR3> MEASUREMENT:MATH<x>:REFLEVELS:ABSOLUTE:HYS TERESIS?
Arguments	MATH<x> specifies the math number. <NR3> is the hysteresis value used for the autoset.
Examples	MEASUREMENT:MATH2:REFLEVELS:ABSOLUTE:HYS TERESIS 20.0E-3 sets the hysteresis to 20.0 mV. MEASUREMENT:MATH2:REFLEVELS:ABSOLUTE:HYS TERESIS? might return :MEASUREMENT:MATH2:REFLEVELS:ABSOLUTE:HYS TERESIS 30.0000E-3 indicating the hysteresis value is 30.0 mV.

MEASUREMENT:MATH<x>:REFLEVELS:ABSOLUTE:RISEHIGH

This command sets or queries the value used as the high reference level of the rising edge when the measurement ref level method is set to absolute. The math number is specified by x.

Group	Measurement
Syntax	MEASUREMENT:MATH<x>:REFLEVELS:ABSOLUTE:RISEHIGH <NR3> MEASUREMENT:MATH<x>:REFLEVELS:ABSOLUTE:RISEHIGH?
Arguments	MATH<x> specifies the math number. <NR3> is the high reference level, and is the zero percent level when MEASUREMENT:IMMED:REFLEVEL:METHOD is set to Absolute.

Examples `MEASUREMENT:MATH2:REFLEVELS:ABSOLUTE:RISEHIGH 1.5` sets the reference level to 1.5 V.

`MEASUREMENT:MATH2:REFLEVELS:ABSOLUTE:RISEHIGH?` might return `:MEASUREMENT:MATH2:REFLEVELS:ABSOLUTE:RISEHIGH 1.0000` indicating the reference level is 1.0 V.

MEASUREMENT:MATH<x>:REFLEVELS:ABSOLUTE:RISELOW

This command sets or queries the value used as the low reference level of the rising edge when the measurement ref level method is set to absolute. The math number is specified by x.

Group Measurement

Syntax `MEASUREMENT:MATH<x>:REFLEVELS:ABSOLUTE:RISELOW <NR3>`
`MEASUREMENT:MATH<x>:REFLEVELS:ABSOLUTE:RISELOW?`

Arguments `MATH<x>` specifies the math number.

`<NR3>` is the high reference level, and is the zero percent level when `MEASUREMENT:IMMED:REFLEVEL:METHOD` is set to Absolute.

Examples `MEASUREMENT:MATH2:REFLEVELS:ABSOLUTE:RISELOW -1.5` sets the reference level to -1.5 V.

`MEASUREMENT:MATH2:REFLEVELS:ABSOLUTE:RISELOW?` might return `:MEASUREMENT:MATH2:REFLEVELS:ABSOLUTE:RISELOW -1.0000` indicating the reference level is -1.0 V.

MEASUREMENT:MATH<x>:REFLEVELS:ABSOLUTE:RISEMID

This command sets or queries the value used as the mid reference level of the rising edge when the measurement ref level method is set to absolute. The math number is specified by x.

Group Measurement

Syntax `MEASUREMENT:MATH<x>:REFLEVELS:ABSOLUTE:RISEMID <NR3>`
`MEASUREMENT:MATH<x>:REFLEVELS:ABSOLUTE:RISEMID?`

Arguments	<p>MATH<x> specifies the math number.</p> <p><NR3> is the mid reference level (where 50% is equal to MID) used to calculate the mid reference level when the measurement Ref level method is set to Absolute.</p>
Examples	<p>MEASUREMENT:MATH2:REFLEVELS:ABSOLUTE:RISEMID 30.0E-3 sets the reference level to 30 mV.</p> <p>MEASUREMENT:MATH2:REFLEVELS:ABSOLUTE:RISEMID? might return :MEASUREMENT:MATH2:REFLEVELS:ABSOLUTE:RISEMID 0.0E+0 indicating the reference level is 0.0 V.</p>

MEASUREMENT:MATH<x>:REFLEVELS:ABSOLUTE:TYPE

This command sets or queries the reference level type for the measurement. The math number is specified by x.

Group	Measurement
Syntax	<p>MEASUREMENT:MATH<x>:REFLEVELS:ABSOLUTE:TYPE {SAME UNIQUE}</p> <p>MEASUREMENT:MATH<x>:REFLEVELS:ABSOLUTE:TYPE?</p>
Arguments	<p>MATH<x> specifies the math number.</p> <p>SAME specifies that the absolute levels are set the same.</p> <p>UNIQUE specifies that the absolute levels can be set independently.</p>
Examples	<p>MEASUREMENT:MATH2:REFLEVELS:ABSOLUTE:TYPE UNIQUE specifies that the absolute levels can be set independently.</p> <p>MEASUREMENT:MATH2:REFLEVELS:ABSOLUTE:TYPE? might return :MEASUREMENT:MATH2:REFLEVELS:ABSOLUTE:TYPE SAME indicating that the absolute levels are set the same.</p>

MEASUREMENT:MATH<x>:REFLEVELS:BASETOP

This command sets or queries the method used to calculate the TOP and BASE used to calculate reference levels for the measurement. The math number is specified by x.

Group	Measurement
--------------	-------------

Syntax `MEASUREMENT:MATH<x>:REFLEVELS:BASETOP`
 `{AUTO|MINMAX|MEANHISTOGRAM|MODEHISTOGRAM|EYEHISTOGRAM}`
 `MEASUREMENT:MATH<x>:REFLEVELS:BASETOP?`

Arguments `MATH<x>` specifies the math number.

`AUTO` automatically chooses a reference level method.

`MINMAX` specifies that reference levels are relative to the measurement MIN and MAX.

`MEANHISTOGRAM` specifies that reference levels are relative to the histogram mean BASE and TOP.

`MODEHISTOGRAM` specifies that reference levels are relative to the histogram mode BASE and TOP.

`EYEHISTOGRAM` specifies that reference levels are relative to the eye histogram BASE and TOP.

Examples `MEASUREMENT:MATH1:REFLEVELS:BASETOP MINMAX` specifies that reference levels are relative to the measurement MIN and MAX.

`MEASUREMENT:MATH1:REFLEVELS:BASETOP?` might return
 `:MEASUREMENT:MATH2:REFLEVELS:BASETOP AUTO` indicating the instrument automatically chooses a reference level method.

MEASUREMENT:MATH<x>:REFLEVELS:METHoD

This command sets or queries the method used to calculate reference levels for the measurement. The math number is specified by x.

Group Measurement

Syntax `MEASUREMENT:MATH<x>:REFLEVELS:METHoD {PERCENT|ABSOLUTE}`
 `MEASUREMENT:MATH<x>:REFLEVELS:METHoD?`

Arguments `MATH<x>` specifies the math number.

`PERCENT` specifies that the reference levels are calculated as a percent relative to HIGH and LOW. The percentages are defined using the `MEASUREMENT:MATH<x>:REFLEVEL:PERCENT` commands.

`ABSOLUTE` specifies that the reference levels are set explicitly using the `MEASUREMENT:MATH<x>:REFLEVEL:ABSOLUTE` commands. This method is useful when precise values are required.

Examples `MEASUREMENT:MATH2:REFLEVELS:METHOD ABSOLUTE` specifies that the reference levels are set explicitly

`MEASUREMENT:MATH2:REFLEVELS:METHOD?` might return
`:MEASUREMENT:MATH2:REFLEVELS:METHOD PERCENT` indicating reference levels are in percent relative to HIGH and LOW.

MEASUREMENT:MATH<x>:REFLEVELS:PERCENT:FALLHIGH

This command sets or queries the percentage (where 99% is equal to TOP and 1% is equal to BASE) used to calculate the high reference level of the falling edge when the measurement ref level method is set to percent. The math number is specified by x.

Group Measurement

Syntax `MEASUREMENT:MATH<x>:REFLEVELS:PERCENT:FALLHIGH <NR3>`
`MEASUREMENT:MATH<x>:REFLEVELS:PERCENT:FALLHIGH?`

Arguments `MATH<x>` specifies the math number.

`<NR3>` is the percentage (where 100% is equal to HIGH) used to calculate the high reference level when the measurement Ref level method is set to Percent.

Examples `MEASUREMENT:MATH2:REFLEVELS:PERCENT:FALLHIGH 95` sets the reference level to 95% of TOP.

`MEASUREMENT:MATH2:REFLEVELS:PERCENT:FALLHIGH?` might return
`:MEASUREMENT:MATH2:REFLEVELS:PERCENT:FALLHIGH 90.0000`
 indicating the reference level is set to 90% of TOP.

MEASUREMENT:MATH<x>:REFLEVELS:PERCENT:FALLLOW

This command sets or queries the percentage (where 99% is equal to TOP and 1% is equal to BASE) used to calculate the low reference level of the falling edge when the measurement ref level method is set to percent. The math number is specified by x.

Group Measurement

Syntax `MEASUREMENT:MATH<x>:REFLEVELS:PERCENT:FALLLOW <NR3>`
`MEASUREMENT:MATH<x>:REFLEVELS:PERCENT:FALLLOW?`

Arguments	MATH<x> specifies the math number. <NR3> is the percentage (where 100% is equal to HIGH) used to calculate the mid reference level when the measurement's Ref level method is set to Percent.
Examples	MEASUREMENT:MATH2:REFLEVELS:PERCENT:FALLLOW 5 sets the reference level to 5% of TOP. MEASUREMENT:MATH2:REFLEVELS:PERCENT:FALLLOW? might return :MEASUREMENT:MATH2:REFLEVELS:PERCENT:FALLLOW 10.0000 indicating the reference level is set to 10% of TOP.

MEASUREMENT:MATH<x>:REFLEVELS:PERCENT:FALLMID

This command sets or queries the percentage (where 99% is equal to TOP and 1% is equal to BASE) used to calculate the mid reference level of the falling edge when the measurement ref level method is set to percent. The math number is specified by x.

Group	Measurement
Syntax	MEASUREMENT:MATH<x>:REFLEVELS:PERCENT:FALLMID <NR3> MEASUREMENT:MATH<x>:REFLEVELS:PERCENT:FALLMID?
Arguments	MATH<x> specifies the math number. <NR3> is the percentage (where 50% is equal to MID) used to calculate the mid reference level when the measurement Ref level method is set to Percent.
Examples	MEASUREMENT:MATH2:REFLEVELS:PERCENT:FALLMID 50 sets the reference level to 50% of TOP. MEASUREMENT:MATH2:REFLEVELS:PERCENT:FALLMID? might return :MEASUREMENT:MATH2:REFLEVELS:PERCENT:FALLMID 50.0000 indicating the reference level is set to 50% of TOP.

MEASUREMENT:MATH<x>:REFLEVELS:PERCENT:HYS TERESIS

This command sets or queries the percentage (where 100% is equal to MAX and 0% is equal to MIN) used to calculate the hysteresis of the reference level when the measurement ref level method is set to percent. The math number is specified by x.

Group	Measurement
Syntax	MEASUREMENT:MATH<x>:REFLEVELS:PERCENT:HYSTERESIS <NR3> MEASUREMENT:MATH<x>:REFLEVELS:PERCENT:HYSTERESIS?
Arguments	MATH<x> specifies the math number. <NR3> is the hysteresis value used for the autoset.
Examples	MEASUREMENT:MATH2:REFLEVELS:PERCENT:HYSTERESIS 2.5 sets the hysteresis to 2.5% of MAX MEASUREMENT:MATH2:REFLEVELS:PERCENT:HYSTERESIS? might return :MEASUREMENT:MATH2:REFLEVELS:PERCENT:HYSTERESIS 5.0000 indicating the hysteresis is set to 5% of MAX.

MEASUREMENT:MATH<x>:REFLEVELS:PERCENT:RISEHIGH

This command sets or queries the percentage (where 99% is equal to TOP and 1% is equal to BASE) used to calculate the high reference level of the rising edge when the measurement ref level method is set to percent. The math number is specified by x. The measurement number is specified by x.

Group	Measurement
Syntax	MEASUREMENT:MATH<x>:REFLEVELS:PERCENT:RISEHIGH <NR3> MEASUREMENT:MATH<x>:REFLEVELS:PERCENT:RISEHIGH?
Arguments	MATH<x> specifies the math number. <NR3> is the percentage (where 100% is equal to TOP) used to calculate the high reference level when the measurement's Ref level method is set to Percent.
Examples	MEASUREMENT:MATH2:REFLEVELS:PERCENT:RISEHIGH 95 sets the reference level to 95% of TOP. MEASUREMENT:MATH2:REFLEVELS:PERCENT:RISEHIGH? might return :MEASUREMENT:MATH2:REFLEVELS:PERCENT:RISEHIGH 90.0000 indicating the reference level is set to 90% of TOP.

MEASUREMENT:MATH<x>:REFLEVELS:PERCENT:RISELOW

This command sets or queries the percentage (where 99% is equal to TOP and 1% is equal to BASE) used to calculate the low reference level of the rising edge when the measurement ref level method is set to percent. The math number is specified by x.

Group Measurement

Syntax MEASUREMENT:MATH<x>:REFLEVELS:PERCENT:RISELOW <NR3>
MEASUREMENT:MATH<x>:REFLEVELS:PERCENT:RISELOW?

Arguments MATH<x> specifies the math number.

<NR3> is the percentage (where 100% is equal to TOP) used to calculate the mid reference level when the measurement Ref level method is set to Percent.

Examples MEASUREMENT:MATH2REFLEVELS:PERCENT:RISELOW 5 sets the reference level to 5% of TOP.

MEASUREMENT:MATH2REFLEVELS:PERCENT:RISELOW? might return :MEASUREMENT:MATH2:REFLEVELS:PERCENT:RISELOW 10.0000 indicating the reference level is set to 10% of TOP.

MEASUREMENT:MATH<x>:REFLEVELS:PERCENT:RISEMID

This command sets or queries the percentage (where 99% is equal to TOP and 1% is equal to BASE) used to calculate the mid reference level of the rising edge when the measurement ref level method is set to percent. The math number is specified by x.

Group Measurement

Syntax MEASUREMENT:MATH<x>:REFLEVELS:PERCENT:RISEMID <NR3>
MEASUREMENT:MATH<x>:REFLEVELS:PERCENT:RISEMID?

Arguments MATH<x> specifies the math number.

<NR3> is the percentage (where 50% is equal to MID) used to calculate the mid reference level when the measurement Ref level method is set to Percent.

Examples `MEASUREMENT:MATH2:REFLEVELS:PERCENT:RISEMID 50` sets the reference level to 50% of TOP.

`MEASUREMENT:MATH2:REFLEVELS:PERCENT:RISEMID?` might return `:MEASUREMENT:MATH2:REFLEVELS:PERCENT:RISEMID 50.0000` indicating the reference level is set to 50% of TOP.

MEASUREMENT:MATH<x>:REFLEVELS:PERCENT:TYPE

This command specifies or queries the reference level percent type for the measurement. The math number is specified by x.

Group Measurement

Syntax `MEASUREMENT:MATH<x>:REFLEVELS:PERCENT:TYPE`
 `{TENNINETY|TWENTYEIGHTY|CUSTOM}`
 `MEASUREMENT:MATH<x>:REFLEVELS:PERCENT:TYPE?`

Arguments `MATH<x>` specifies the math number.

`TENNINETY` sets the values for Low, Mid and High Ref to 10%, 50% and 90% respectively.

`TWENTYEIGHTY` sets the values for Low, Mid and High Ref are set to 20%, 50% and 80% respectively.

`CUSTOM` allows setting other reference level percents.

Examples `MEASUREMENT:MATH2:REFLEVELS:PERCENT:TYPE TWENTYEIGHTY` sets the values for Low, Mid and High Ref are set to 20%, 50% and 80% respectively.

`MEASUREMENT:MATH2:REFLEVELS:PERCENT:TYPE?` might return `:MEASUREMENT:MATH2:REFLEVELS:PERCENT:TYPE TENNINETY` indicating the reference levels are set to 10%, 50% and 90%.

MEASUREMENT:MEASRANGE:MAX

This command sets or queries the global range maximum value.

Group Measurement

Syntax `MEASUREMENT:MEASRANGE:MAX <NR3>`
 `MEASUREMENT:MEASRANGE:MAX?`

Arguments <NR3> is the maximum measurement range limit value.

Examples MEASUREMENT:MEASRANGE:MAX 1.5 sets the maximum range limit to 1.5 V.
MEASUREMENT:MEASRANGE:MAX? might return
:MEASUREMENT:MEASRANGE:MAX 1.0000 indicating the maximum range
limit is 1.0 V.

MEASUREMENT:MEASRANGE:MIN

This command sets or queries the global range minimum value.

Group Measurement

Syntax MEASUREMENT:MEASRANGE:MIN <NR3>
MEASUREMENT:MEASRANGE:MIN?

Arguments <NR3> is the minimum measurement range limit value.

Examples MEASUREMENT:MEASRANGE:MIN 30.0E-3 sets the minimum measurement range
limit to 30.0 mV.
MEASUREMENT:MEASRANGE:MIN? might return
:MEASUREMENT:MEASRANGE:MIN 0.0E+0 indicating minimum range limit is
0.0 V.

MEASUREMENT:MEASRANGE:STATE

This command sets or queries the global range state.

Group Measurement

Syntax MEASUREMENT:MEASRANGE:STATE {OFF|ON|0|1}
MEASUREMENT:MEASRANGE:STATE?

Arguments OFF specifies that the measurement results are not limited.
ON specifies that the measurement results are limited to results with values
between the range minimum and maximum.
0 specifies that the measurement results are not limited.

1 specifies that the measurement results are limited to results with values between the range minimum and maximum.

Examples MEASUREMENT:MEASRANGE:STATE 1 specifies that the measurement results are limited to results with values between the range minimum and maximum.

MEASUREMENT:MEASRANGE:STATE? might return
:MEASUREMENT:MEASRANGE:STATE 0 indicating that the measurement results are not limited.

MEASUREMENT:MEAS<x>:ABANDwidth

This command sets or queries the analysis bandwidth for the measurement. Measurements are specified by x.

Group Measurement

Syntax MEASUREMENT:MEAS<x>:ABANDwidth <NR3>
MEASUREMENT:MEAS<x>:ABANDwidth?

Arguments MEAS<x> specifies the measurement number.

<NR3> sets the analysis bandwidth. The default value is 10.0e6 and the valid range is 1.0e3 to 8.0e9.

Examples MEASUREMENT:MEAS2:ABANDwidth 1E+6 sets the analysis bandwidth to 1E+6.

MEASUREMENT:MEAS2:ABANDwidth? might return
:MEASUREMENT:MEAS2:ABANDwidth 1E+6 indicating the analysis bandwidth is 1E+6.

MEASUREMENT:MEAS<x>:ACHANnels

This command sets or queries the number of adjacent channels for the measurement. Measurements are specified by x.

Group Measurement

Syntax MEASUREMENT:MEAS<x>:ACHANnels <NR3>
MEASUREMENT:MEAS<x>:ACHANnels?

Arguments MEAS<x> specifies the measurement number.

<NR3> sets the number of adjacent channels. The default value is 1 and the valid range is 1 to 5.

Examples MEASUREMENT:MEAS2:ACHANNELS 1 turns on 1 adjacent channel.

MEASUREMENT:MEAS2:ACHANNELS? might return
:MEASUREMENT:MEAS2:ACHANNELS 1 indicating 1 adjacent channel is on.

MEASUREMENT:MEAS<x>:AMETHOD

This command sets or queries the analysis method used to compute eye width or eye height.

Group Measurement

Syntax MEASUREMENT:MEAS<x>:AMETHOD {PARAMETRIC|HISTOGRAM}
MEASUREMENT:MEAS<x>:AMETHOD?

Arguments MEAS<x> specifies the measurement number.

PARAMETRIC sets the analysis method to parametric.

HISTOGRAM sets the analysis method to histogram.

Examples MEASUREMENT:MEAS1:AMETHOD HISTOGRAM selects histogram analysis method for measurement 1.

MEASUREMENT:MEAS2:AMETHOD? might return
:MEASUREMENT:MEAS2:AMETHOD HISTOGRAM, indicating that histogram analysis method is selected for measurement 2.

MEASUREMENT:MEAS<x>:BER

This command sets or queries BER value for the measurement. Measurements are specified by x.

Group Measurement

Syntax MEASUREMENT:MEAS<x>:BER <NR3>
MEASUREMENT:MEAS<x>:BER?

Arguments MEAS<x> specifies the measurement number.
<NR3> is BER value for the measurement.

Examples MEASUREMENT:MEAS2:BER 10.0 sets the BER for the measurement to 10.0.
MEASUREMENT:MEAS2:BER? might return :MEASUREMENT:MEAS2:BER 12.0000 indicating the measurement BER is 12.0.

MEASUREMENT:MEAS<x>:BER:TARGETBER

This command sets or queries the target BER value for the measurement. Measurements are specified by x.

Group Measurement

Syntax MEASUREMENT:MEAS<x>:BER:TARGETBER <NR3>
MEASUREMENT:MEAS<x>:BER:TARGETBER?

Arguments MEAS<x> specifies the measurement number.
<NR3> is the target BER value.

Examples MEASUREMENT:MEAS1:BER:TARGETBER 14.0 sets the target BER to 14.0.
MEASUREMENT:MEAS1:BER:TARGETBER? might return :MEASUREMENT:MEAS1:BER:TARGETBER 12.0000 indicating the target BER is 12.0.

MEASUREMENT:MEAS<x>:BIN

This command sets or queries the bin count for the measurement. Measurements are specified by x.

Group Measurement

Syntax MEASUREMENT:MEAS<x>:BIN <NR3>
MEASUREMENT:MEAS<x>:BIN?

Arguments MEAS<x> specifies the measurement number.
<NR3> is the bin count.

Examples `MEASUREMENT:MEAS1:BIN 2` sets the bin count to 2.
`MEASUREMENT:MEAS1:BIN?` might return `:MEASUREMENT:MEAS1:BIN 1` indicating the bin count is 1.

MEASUREMENT:MEAS<x>:BITAbsolute

This command sets or queries the bit center as an absolute value.

Group Measurement

Syntax `MEASUREMENT:MEAS<x>:BITAbsolute <NR3>`
`MEASUREMENT:MEAS<x>:BITAbsolute?`

Arguments `MEAS<x>` specifies the measurement number.
`<NR3>` is the value for the bit center.

Examples `MEASUREMENT:MEAS1:BITAbsolute 50E-12` sets the bit absolute to 50E-12 for measurement 1.
`MEASUREMENT:MEAS1:BITAbsolute?` might return `:MEASUREMENT:MEAS1:BITAbsolute 50E-12`, indicating the bit absolute is 50E-12 for measurement 1.

MEASUREMENT:MEAS<x>:BITCfgmode

This command sets or queries whether the measurement returns the mean or mode statistic result when the measurement type is bit amplitude/high/low. Measurements are specified by x.

Group Measurement

Syntax `MEASUREMENT:MEAS<x>:BITCfgmode {MEAN|MODE}`
`MEASUREMENT:MEAS<x>:BITCfgmode?`

Arguments `MEAS<x>` specifies the measurement number.
`MEAN` specifies that the measurement returns results for each bit.
`MODE` specifies that the measurement returns the mode of its results.

Examples `MEASUREMENT:MEAS1:BITCFGmode MODE` specifies that the measurement returns the mode of its results.

`MEASUREMENT:MEAS1:BITCFGmode?` might return
`:MEASUREMENT:MEAS1:BITCFGMODE MEAN` indicating the configuration mode is set to MEAN.

MEASUREMENT:MEAS<x>:BITEnd

This command sets or queries the bit end as a percentage of the unit interval. Measurements are specified by x.

Group Measurement

Syntax `MEASUREMENT:MEAS<x>:BITEnd <NR3>`
`MEASUREMENT:MEAS<x>:BITEnd?`

Arguments `MEAS<x>` specifies the measurement number.
`<NR3>` is the bit end.

Examples `MEASUREMENT:MEAS2:BITEnd 60` sets the bit end to 60% of the unit interval.
`MEASUREMENT:MEAS2:BITEnd?` might return `:MEASUREMENT:MEAS2:BITEND 50.0000` indicating the bit end is 50%.

MEASUREMENT:MEAS<x>:BITPcnt

This command sets or queries the bit center as a percentage of the unit interval. Measurements are specified by x.

Group Measurement

Syntax `MEASUREMENT:MEAS<x>:BITPcnt <NR3>`
`MEASUREMENT:MEAS<x>:BITPcnt?`

Arguments `MEAS<x>` specifies the measurement number.
`<NR3>` is the bit center percentage value to be measured for the bit type selected.

Examples `MEASUREMENT:MEAS2:BITPcnt 55` sets the bit center to 55% of the unit interval.

`MEASUREMENT:MEAS2:BITPcnt?` might return
`:MEASUREMENT:MEAS2:BITPCNT 50.0000` indicating bit center is 50% of the unit interval.

MEASUREMENT:MEAS<x>:BITStart

This command sets or queries the bit start as a percentage of the unit interval. Measurements are specified by x.

Group Measurement

Syntax `MEASUREMENT:MEAS<x>:BITStart <NR3>`
`MEASUREMENT:MEAS<x>:BITStart?`

Arguments `MEAS<x>` specifies the measurement number.
`<NR3>` is the bit start.

Examples `MEASUREMENT:MEAS2:BITStart 45` sets the bit start to 45% of the unit interval.

`MEASUREMENT:MEAS2:BITStart?` might return
`:MEASUREMENT:MEAS2:BITSTART 50.0000` indicating the bit start is 50% of the unit interval.

MEASUREMENT:MEAS<x>:BITType

This command sets or queries the bit type for the measurement. Measurements are specified by x.

Group Measurement

Syntax `MEASUREMENT:MEAS<x>:BITType`
`{ALLbits|TRANSITION|NONTRANSITION}`
`MEASUREMENT:MEAS<x>:BITType?`

Arguments `MEAS<x>` specifies the measurement number.

`ALLbits` specifies that the measurement returns results for all bits.

`TRANSITION` specifies that the measurement returns results for transitions bit only.

NONTRANSITION specifies that the measurement returns results for non-transition bits only.

Examples MEASUREMENT:MEAS1:BITType TRANSITION specifies that the measurement returns results for transition bits only.

MEASUREMENT:MEAS1:BITType? might return
:MEASUREMENT:MEAS1:BITType ALLBITS indicating that measurements return results for all bits.

MEASUREMENT:MEAS<x>:BURSTEDGTYPE

This command sets or queries the burst edge type for the measurement. Measurements are specified by x.

Group Measurement

Syntax MEASUREMENT:MEAS<x>:BURSTEDGTYPE {RISE|FALL}
MEASUREMENT:MEAS<x>:BURSTEDGTYPE?

Arguments MEAS<x> specifies the measurement number.
RISE specifies a burst with a rising edge.
FALL specifies a burst with a falling edge.

Examples MEASUREMENT:MEAS2:BURSTEDGTYPE FALL specifies a burst with a falling edge.

MEASUREMENT:MEAS2:BURSTEDGTYPE? might return
:MEASUREMENT:MEAS2:BURSTEDGTYPE RISE indicating a burst with a rising edge.

MEASUREMENT:MEAS<x>:BVOLTage

This command sets or returns the bias voltage for WBG measurement.

Conditions Requires a WBG-DPT License.

Group Measurement, WBG

Syntax `MEASUREMENT:MEAS<x>:BVOLTage <NR3>`
`MEASUREMENT:MEAS<x>:BVOLTage?`

Arguments `MEAS<x>` specifies the measurement number.
`<NR3>` specifies the value for bias voltage of the WBG measurement.

Examples `MEASUREMENT:MEAS2:BVOLTage 5.9000E+3` specifies the value for bias voltage as 5.9000E+3 for measurement 2.
`MEASUREMENT:MEAS2:BVOLTage?` might return
`:MEASUREMENT:MEAS2:BVOLTage 5.9000E+3` indicating the value for bias voltage is 5.9000E+3 for measurement 2.

MEASUREMENT:MEAS<x>:CCRESULTS:ALLAcqs:MAXimum? (Query Only)

This query-only command returns the maximum cycle-cycle value for the specified measurement for all acquisitions. Measurements are specified by x.

Group Measurement

Syntax `MEASUREMENT:MEAS<x>:CCRESULTS:ALLAcqs:MAXimum?`

Returns The maximum cycle-cycle statistic value for the specified measurement for all acquisitions.

Examples `MEASUREMENT:MEAS2:CCRESULTS:ALLAcqs:MAXimum?` might return
`:MEASUREMENT:MEAS2:CCRESULTS:ALLAcqs:MAXIMUM 9.91E+37.`

MEASUREMENT:MEAS<x>:CCRESULTS:ALLAcqs:MEAN? (Query Only)

This query-only command returns the mean cycle-cycle value for the specified measurement for all acquisitions. Measurements are specified by x.

Group Measurement

Syntax `MEASUREMENT:MEAS<x>:CCRESULTS:ALLAcqs:MEAN?`

Returns The mean cycle-cycle statistic value for the specified measurement for all acquisitions.

Examples `MEASUREMENT:MEAS2:CCRESULTS:ALLACQS:MEAN?` might return
`:MEASUREMENT:MEAS2:CCRESULTS:ALLACQS:MEAN 9.91E+37.`

MEASUREMENT:MEAS<x>:CCRESULTS:ALLACQS:MINIMUM? (Query Only)

This query-only command returns the minimum cycle-cycle value for the specified measurement for all acquisitions. Measurements are specified by x.

Group Measurement

Syntax `MEASUREMENT:MEAS<x>:CCRESULTS:ALLACQS:MINIMUM?`

Returns The minimum cycle-cycle statistic value for the specified measurement for all acquisitions.

Examples `MEASUREMENT:MEAS2:CCRESULTS:ALLACQS:MINIMUM?` might return
`:MEASUREMENT:MEAS2:CCRESULTS:ALLACQS:MINIMUM 9.91E+37.`

MEASUREMENT:MEAS<x>:CCRESULTS:ALLACQS:PK2PK? (Query Only)

This query-only command returns the peak to peak cycle-cycle statistic for the specified measurement for all acquisitions. Measurements are specified by x.

Group Measurement

Syntax `MEASUREMENT:MEAS<x>:CCRESULTS:ALLACQS:PK2PK?`

Returns The peak to peak cycle-cycle statistic value for the specified measurement all acquisitions.

Examples `MEASUREMENT:MEAS2:CCRESULTS:ALLACQS:PK2PK?` might return
`:MEASUREMENT:MEAS2:CCRESULTS:ALLACQS:PK2PK 9.91E+37.`

MEASUREMENT:MEAS<x>:CCRESULTS:ALLACQS:POPULATION? (Query Only)

This query-only command returns the population of all cycle-cycle statistics for the specified measurement for all acquisitions accumulated since statistics were last reset. Measurements are specified by x.

Group	Measurement
Syntax	MEASUREMENT:MEAS<x>:CCRESULTS:ALLACQS:POPULATION?
Returns	The population of all cycle-cycle statistics for the specified measurement accumulated over all acquisitions since statistics were last reset.
Examples	MEASUREMENT:MEAS2:CCRESULTS:ALLACQS:POPULATION? might return :MEASUREMENT:MEAS2:CCRESULTS:ALLACQS:POPULATION 0 indicating no statistics for the measurement.

MEASUREMENT:MEAS<x>:CCRESULTS:ALLACQS:STDDEV? (Query Only)

This query-only command returns the standard deviation cycle-cycle for the specified measurement for all acquisitions. Measurements are specified by x.

Group	Measurement
Syntax	MEASUREMENT:MEAS<x>:CCRESULTS:ALLACQS:STDDEV?
Returns	The standard deviation cycle-cycle statistic value for the specified measurement all acquisitions.
Examples	MEASUREMENT:MEAS2:CCRESULTS:ALLACQS:STDDEV? might return :MEASUREMENT:MEAS2:CCRESULTS:ALLACQS:STDDEV 9.91E+37.

MEASUREMENT:MEAS<x>:CCRESULTS:CURRENTACQ:MAXIMUM? (Query Only)

This query-only command returns the maximum cycle-cycle value for the specified measurement for the current acquisition. Measurements are specified by x.

Group	Measurement
--------------	-------------

Syntax	<code>MEASUREMENT:MEAS<x>:CCRESULTS:CURRENTACQ:MAXIMUM?</code>
Returns	The maximum cycle-cycle statistic value for the specified measurement for the current acquisition.
Examples	<code>MEASUREMENT:MEAS2:CCRESULTS:CURRENTACQ:MAXIMUM?</code> might return <code>:MEASUREMENT:MEAS1:CCRESULTS:CURRENTACQ:MAXIMUM 9.91E+37.</code>

MEASUREMENT:MEAS<x>:CCRESULTS:CURRENTACQ:MEAN? (Query Only)

This query-only command returns the mean cycle-cycle value for the specified measurement for the current acquisition. Measurements are specified by x.

Group	Measurement
Syntax	<code>MEASUREMENT:MEAS<x>:CCRESULTS:CURRENTACQ:MEAN?</code>
Returns	The mean cycle-cycle statistic value for the specified measurement for the current acquisition.
Examples	<code>MEASUREMENT:MEAS1:CCRESULTS:CURRENTACQ:MEAN?</code> might return <code>:MEASUREMENT:MEAS1:CCRESULTS:CURRENTACQ:MEAN 9.91E+37.</code>

MEASUREMENT:MEAS<x>:CCRESULTS:CURRENTACQ:MINIMUM? (Query Only)

This query-only command returns the minimum cycle-cycle value for the specified measurement for the current acquisition. Measurements are specified by x.

Group	Measurement
Syntax	<code>MEASUREMENT:MEAS<x>:CCRESULTS:CURRENTACQ:MINIMUM?</code>
Returns	The minimum cycle-cycle statistic value for the specified measurement for the current acquisition.
Examples	<code>MEASUREMENT:MEAS2:CCRESULTS:CURRENTACQ:MINIMUM?</code> might return <code>:MEASUREMENT:MEAS1:CCRESULTS:CURRENTACQ:MINIMUM 9.91E+37.</code>

MEASUREMENT:MEAS<x>:CCRESULTS:CURRENTACQ:PK2PK? (Query Only)

This query-only command returns the peak to peak cycle-cycle statistic for the specified measurement for the current acquisition. Measurements are specified by x.

Group	Measurement
Syntax	MEASUREMENT:MEAS<x>:CCRESULTS:CURRENTACQ:PK2PK?
Returns	The peak to peak cycle-cycle statistic value for the specified measurement for the current acquisition.
Examples	MEASUREMENT:MEAS1:CCRESULTS:CURRENTACQ:PK2PK? might return :MEASUREMENT:MEAS1:CCRESULTS:CURRENTACQ:PK2PK 9.91E+37.

MEASUREMENT:MEAS<x>:CCRESULTS:CURRENTACQ:POPULATION? (Query Only)

This query-only command returns the population of the cycle-cycle statistics for the specified measurement for the current acquisition. Measurements are specified by x.

Group	Measurement
Syntax	MEASUREMENT:MEAS<x>:CCRESULTS:CURRENTACQ:POPULATION?
Returns	The population of the cycle-cycle statistics for the specified measurement for the current acquisition.
Examples	MEASUREMENT:MEAS1:CCRESULTS:CURRENTACQ:POPULATION? might return :MEASUREMENT:MEAS1:CCRESULTS:CURRENTACQ:POPULATION 0 indicating the population is 0.

MEASUREMENT:MEAS<x>:CCRESULTS:CURRENTACQ:STDDEV? (Query Only)

This query-only command returns the standard deviation cycle-cycle for the specified measurement for the current acquisition. Measurements are specified by x.

Group	Measurement
Syntax	MEASUREMENT:MEAS<x>:CCRESULTS:CURRENTACQ:STDDEV?
Returns	The standard deviation cycle-cycle statistic value for the specified measurement for the current acquisition.
Examples	MEASUREMENT:MEAS1:CCRESULTS:CURRENTACQ:STDDEV? might return :MEASUREMENT:MEAS1:CCRESULTS:CURRENTACQ:STDDEV 9.91E+37.

MEASUREMENT:MEAS<x>:CF<x>VAL

This command sets or returns the filter count for PSIJ measurement.

Conditions Requires option 5-DPM (5 Series MSO instruments) or 6-DPM (6 Series MSO instrument)

Group DPM

Syntax MEASUREMENT:MEAS<x>:CF<x>VAL <NR3>
MEASUREMENT:MEAS<x>:CF<x>VAL?

Arguments MEAS<x> specifies the measurement number.
CF<x> specifies the center frequency number.
<NR3> specifies the center frequency.

Examples MEASUREMENT:MEAS1:CF1VAL 2.5000E+9 sets the center frequency to 2.5 GHz.
MEASUREMENT:MEAS1:CF1VAL? might return :MEASUREMENT:MEAS1:CF1VAL 2.5000E+9 indicating the center frequency is 2.5 GHz.

MEASUREMENT:MEAS<x>:CLOCKRECOVERY:ADVANCED:METHOD

This command sets or queries the advanced clock recovery method when advanced clock recovery is used for the measurement. Measurements are specified by x.

Group Measurement

Syntax `MEASUREMENT:MEAS<x>:CLOCKRECOVERY:ADVANCED:METHOd`
 `{NONE|NOMiNa1|PATTErn}`
 `MEASUREMENT:MEAS<x>:CLOCKRECOVERY:ADVANCED:METHOd?`

Arguments `MEAS<x>` specifies the measurement number.

 `NOMiNa1` sets the advanced CRD method to Nominal Data Rate.

 `PATTErn` sets the advanced CDR method to use a Known Data Pattern.

 `NONE` sets no advanced CRD method.

Examples `MEASUREMENT:MEAS1:CLOCKRECOVERY:ADVANCED:METHOd PATTErn` sets the advanced CDR method to use a Known Data Pattern.

 `MEASUREMENT:MEAS1:CLOCKRECOVERY:ADVANCED:METHOd?` might return `:MEASUREMENT:MEAS1:CLOCKRECOVERY:ADVANCED:METHOd NONE` indicating no advanced CRD method.

MEASUREMENT:MEAS<x>:CLOCKRECOVERY:CLOCKFREQUENCY

This command sets or queries the clock frequency used when fixed constant clock recovery is used for the measurement. Measurements are specified by x.

Group Measurement

Syntax `MEASUREMENT:MEAS<x>:CLOCKRECOVERY:CLOCKFREQUENCY <NR3>`
 `MEASUREMENT:MEAS<x>:CLOCKRECOVERY:CLOCKFREQUENCY?`

Arguments `MEAS<x>` specifies the measurement number.

 `<NR3>` is the clock frequency.

Examples `MEASUREMENT:MEAS1:CLOCKRECOVERY:CLOCKFREQUENCY 2.0E+9` sets the frequency to 2.0 GHz.

 `MEASUREMENT:MEAS1:CLOCKRECOVERY:CLOCKFREQUENCY?` might return `:MEASUREMENT:MEAS1:CLOCKRECOVERY:CLOCKFREQUENCY 2.5000E+9` indicating the frequency is 2.5 GHz.

MEASUREMENT:MEAS<x>:CLOCKRECOVERY:CLOCKMULTIPLIER

This command sets or queries the clock multiplier used when explicit clock recovery is used for the measurement. Measurements are specified by x.

Group	Measurement
Syntax	MEASUREMENT:MEAS<x>:CLOCKRECOVERY:CLOCKMULTIPLIER <NR3> MEASUREMENT:MEAS<x>:CLOCKRECOVERY:CLOCKMULTIPLIER?
Arguments	MEAS<x> specifies the measurement number. <NR3> is the clock multiplier.
Examples	MEASUREMENT:MEAS1:CLOCKRECOVERY:CLOCKMULTIPLIER 1.5 sets the clock multiplier to 1.5. MEASUREMENT:MEAS1:CLOCKRECOVERY:CLOCKMULTIPLIER? might return :MEASUREMENT:MEAS1:CLOCKRECOVERY:CLOCKMULTIPLIER 1.0000 indicating the clock multiplier is 1.0.

MEASUREMENT:MEAS<x>:CLOCKRECOVERY:CONSTCLOCKMODE

This command sets or queries the constant clock mode used when constant clock recovery is used for the measurement. The measurement number is specified by x.

Group	Measurement
Syntax	MEASUREMENT:MEAS<x>:CLOCKRECOVERY:CONSTCLOCKMODE {MEAN MEDIan FIXed}
Arguments	MEAS<x> specifies the measurement number. MEAN specifies that clock recovery uses the mean of the clock signal as the clock frequency. MEDIan specifies that clock recovery uses the mode of the clock signal as the clock frequency. FIXed specifies that clock recovery uses the value set by the user as the clock frequency.
Examples	MEASUREMENT:MEAS1:CLOCKRECOVERY:CONSTCLOCKMODE FIXED specifies that clock recovery uses the value set by the user as the clock frequency. MEASUREMENT:MEAS1:CLOCKRECOVERY:CONSTCLOCKMODE? might return :MEASUREMENT:MEAS1:CLOCKRECOVERY:CONSTCLOCKMODE MEAN indicating that clock recovery uses the mean of the clock signal as the clock frequency.

MEASUREMENT:MEAS<x>:CLOCKRECOVERY:DAMPING

This command sets or queries the damping value used when PLL clock recovery is used for the measurement. Measurements are specified by x.

Group	Measurement
Syntax	MEASUREMENT:MEAS<x>:CLOCKRECOVERY:DAMPING <NR3> MEASUREMENT:MEAS<x>:CLOCKRECOVERY:DAMPING?
Arguments	MEAS<x> specifies the measurement number. <NR3> is the clock recovery damping value.
Examples	MEASUREMENT:MEAS1:CLOCKRECOVERY:DAMPING 700.0E-3 sets the damping value to 0.70. MEASUREMENT:MEAS1:CLOCKRECOVERY:DAMPING? might return :MEASUREMENT:MEAS1:CLOCKRECOVERY:DAMPING 700.0000E-3 indicating the damping value is 0.70.

MEASUREMENT:MEAS<x>:CLOCKRECOVERY:DATAPATH

This command sets or queries the file containing the data pattern used when known data pattern clock recovery is used for the measurement. Measurements are specified by x.

Group	Measurement
Syntax	MEASUREMENT:MEAS<x>:CLOCKRECOVERY:DATAPATH <QString> MEASUREMENT:MEAS<x>:CLOCKRECOVERY:DATAPATH?
Arguments	MEAS<x> specifies the measurement number. <QString> is the file containing the data pattern to be used for known data pattern clock recovery.
Examples	MEASUREMENT:MEAS1:CLOCKRECOVERY:DATAPATH "TEST125.txt" specifies the file containing the data pattern is TEST125.txt. MEASUREMENT:MEAS1:CLOCKRECOVERY:DATAPATH? might return :MEASUREMENT:MEAS1:CLOCKRECOVERY:DATAPATH "PRBS127.txt" indicating the file containing the data pattern is PRBS127.txt.

MEASUREMENT:MEAS<x>:CLOCKRECOVERY:DATARATE

This command sets or queries the nominal data bit rate when nominal data rate clock recovery is used for the measurement. Measurements are specified by x.

Group	Measurement
Syntax	MEASUREMENT:MEAS<x>:CLOCKRECOVERY:DATARATE <NR3> MEASUREMENT:MEAS<x>:CLOCKRECOVERY:DATARATE?
Arguments	MEAS<x> specifies the measurement number. <NR3> is the value for the Nominal data rate.
Examples	MEASUREMENT:MEAS1:CLOCKRECOVERY:DATARATE 2.0000E+9 sets the data rate to 2.0 Gb/s. MEASUREMENT:MEAS1:CLOCKRECOVERY:DATARATE? might return :MEASUREMENT:MEAS1:CLOCKRECOVERY:DATARATE 2.5000E+9 indicating the data rate is 2.5 Gb/s.

MEASUREMENT:MEAS<x>:CLOCKRECOVERY:EXPLICITCLOCKMODE

This command sets or queries the explicit clock mode used when explicit clock recovery is used for the measurement. The measurement number is specified by x.

Group	Measurement
Syntax	MEASUREMENT:MEAS<x>:CLOCKRECOVERY:EXPLICITCLOCKMODE {EDGE PLL} MEASUREMENT:MEAS<x>:CLOCKRECOVERY:EXPLICITCLOCKMODE?
Arguments	MEAS<x> specifies the measurement number. EDGE specifies the clock edge. PLL specifies the phase locked loop.
Examples	MEASUREMENT:MEAS1:CLOCKRECOVERY:EXPLICITCLOCKMODE EDGE sets the clock mode to edge.

MEASUREMENT:MEAS1:CLOCKRECOVERY:EXPLICITCLOCKMODE? might return
:MEASUREMENT:MEAS1:CLOCKRECOVERY:EXPLICITCLOCKMODE EDGE
indicating the explicit clock mode is edge.

MEASUREMENT:MEAS<x>:CLOCKRECOVERY:GLOBAL

This command sets or queries the clock recovery settings global flag for the measurement. Measurements are specified by x.

Group	Measurement
Syntax	MEASUREMENT:MEAS<x>:CLOCKRECOVERY:GLOBAL {OFF ON 0 1} MEASUREMENT:MEAS<x>:CLOCKRECOVERY:GLOBAL?
Arguments	MEAS<x> specifies the measurement number. OFF clock recovery settings are changed independently for each individual measurement. ON applies global clock recovery settings to all the measurements' clock recovery settings. 0 clock recovery settings are changed independently for each individual measurement. 1 applies global clock recovery settings to all the measurements' clock recovery settings.
Examples	MEASUREMENT:MEAS1:CLOCKRECOVERY:GLOBAL 1 applies global clock recovery settings to all the measurements' clock recovery settings. MEASUREMENT:MEAS1:CLOCKRECOVERY:GLOBAL? might return :MEASUREMENT:MEAS1:CLOCKRECOVERY:GLOBAL 0 indicating clock recovery settings are changed independently for each individual measurement.

MEASUREMENT:MEAS<x>:CLOCKRECOVERY:JTFBANDWIDTH

This command sets or queries the JTF bandwidth used when PLL clock recovery is used for the measurement. Measurements are specified by x.

Group Measurement

Syntax	<code>MEASUREMENT:MEAS<x>:CLOCKRECOVERY:JTFBANDWIDTH <NR3></code> <code>MEASUREMENT:MEAS<x>:CLOCKRECOVERY:JTFBANDWIDTH?</code>
Arguments	<code>MEAS<x></code> specifies the measurement number. <code><NR3></code> is the clock recovery JTF bandwidth.
Examples	<code>MEASUREMENT:MEAS1:CLOCKRECOVERY:JTFBANDWIDTH 1.10E+6</code> sets the bandwidth to 1.1 MHz. <code>MEASUREMENT:MEAS1:CLOCKRECOVERY:JTFBANDWIDTH?</code> might return <code>:MEASUREMENT:MEAS1:CLOCKRECOVERY:JTFBANDWIDTH 1.0000E+6</code> indicating the bandwidth is 1.0 MHz.

MEASUREMENT:MEAS<x>:CLOCKRECOVERY:LOOPBANDWIDTH

This command sets or queries the loop bandwidth used when PLL clock recovery is used for the measurement. Measurements are specified by x.

Group	Measurement
Syntax	<code>MEASUREMENT:MEAS<x>:CLOCKRECOVERY:LOOPBANDWIDTH <NR3></code> <code>MEASUREMENT:MEAS<x>:CLOCKRECOVERY:LOOPBANDWIDTH?</code>
Arguments	<code>MEAS<x></code> specifies the measurement number. <code><NR3></code> is the clock recovery loop bandwidth.
Examples	<code>MEASUREMENT:MEAS1:CLOCKRECOVERY:LOOPBANDWIDTH 1.10E+6</code> sets the bandwidth to 1.1 Mhz. <code>MEASUREMENT:MEAS1:CLOCKRECOVERY:LOOPBANDWIDTH?</code> might return <code>:MEASUREMENT:MEAS1:CLOCKRECOVERY:LOOPBANDWIDTH 1.0000E+6</code> indicating the bandwidth is 1.0 MHz.

MEASUREMENT:MEAS<x>:CLOCKRECOVERY:MEANAUTOCALCULATE

This command sets or queries how often the clock is calculated when constant clock recovery is used for the measurement. The measurement number is specified by x.

Group	Measurement
--------------	-------------

Syntax `MEASUREMENT:MEAS<x>:CLOCKRECOVERY:MEANAUTOCALCULATE
{FIRST|EVERY}
MEASUREMENT:MEAS<x>:CLOCKRECOVERY:MEANAUTOCALCULATE?`

Arguments `MEAS<x>` specifies the measurement number.
`FIRST` calculates the clock on the first acquisition.
`EVERY` calculates the clock on every acquisition.

Examples `MEASUREMENT:MEAS1:CLOCKRECOVERY:MEANAUTOCALCULATE EVERY` causes the clock to be calculated on every acquisition.
`MEASUREMENT:MEAS1:CLOCKRECOVERY:MEANAUTOCALCULATE?` might return `:MEASUREMENT:MEAS1:CLOCKRECOVERY:MEANAUTOCALCULATE FIRST` indicating the clock is calculated on the first acquisition.

MEASUREMENT:MEAS<x>:CLOCKRECOVERY:METHOD

This command sets or queries the clock recovery method for the measurement. Measurements are specified by x.

Group Measurement

Syntax `MEASUREMENT:MEAS<x>:CLOCKRECOVERY:METHOD
{PLL|CONSTANTCLOCK|EXPLICITCLOCK}
MEASUREMENT:MEAS<x>:CLOCKRECOVERY:METHOD?`

Arguments `MEAS<x>` specifies the measurement number.
`PLL` specifies a phase locked loop clock recovery method.
`CONSTANTCLOCK` specifies using a constant clock.
`EXPLICITCLOCK` specifies using an explicit clock.

Examples `MEASUREMENT:MEAS1:CLOCKRECOVERY:METHOD PLL` specifies a phase locked loop clock recovery method.
`MEASUREMENT:MEAS1:CLOCKRECOVERY:METHOD?` might return `:MEASUREMENT:MEAS1:CLOCKRECOVERY:METHOD CONSTANTCLOCK` indicating a constant clock is in use.

MEASUREMENT:MEAS<x>:CLOCKRECOVERY:MODEL

This command sets or queries the PLL clock recovery model used when PLL clock recovery is used for the measurement. Measurements are specified by x.

Group	Measurement
Syntax	MEASUREMENT:MEAS<x>:CLOCKRECOVERY:MODEL TYPE<x> MEASUREMENT:MEAS<x>:CLOCKRECOVERY:MODEL?
Arguments	MEAS<x> specifies the measurement number. TYPE<x> set the clock recovery model type. Valid values are 1 or 2.
Examples	MEASUREMENT:MEAS1:CLOCKRECOVERY:MODEL TYPE1 set the clock recovery model to type 1. MEASUREMENT:MEAS1:CLOCKRECOVERY:MODEL? might return :MEASUREMENT:MEAS1:CLOCKRECOVERY:MODEL TYPE1 indicating the clock recovery model is type 1.

MEASUREMENT:MEAS<x>:CLOCKRECOVERY:NOMINALOFFSET

This command sets or queries the offset value used when explicit clock recovery is used for the measurement. Measurements are specified by x.

Group	Measurement
Syntax	MEASUREMENT:MEAS<x>:CLOCKRECOVERY:NOMINALOFFSET <NR3> MEASUREMENT:MEAS<x>:CLOCKRECOVERY:NOMINALOFFSET?
Arguments	MEAS<x> specifies the measurement number. <NR3> is the clock offset.
Examples	MEASUREMENT:MEAS1:CLOCKRECOVERY:NOMINALOFFSET 1.0e-9 sets the clock offset to 1 ns. MEASUREMENT:MEAS1:CLOCKRECOVERY:NOMINALOFFSET? might return :MEASUREMENT:MEAS1:CLOCKRECOVERY:NOMINALOFFSET 0.0E+0 indicating the offset is 0.0 ns.

MEASUREMENT:MEAS<x>:CLOCKRECOVERY:NOMINALOFFSET:SELECTIONTYPE

This command sets or queries the offset type used when explicit clock recovery is used for the measurement. The measurement number is specified by x.

Group	Measurement
Syntax	MEASUREMENT:MEAS<x>:CLOCKRECOVERY:NOMINALOFFSET: SELECTIONTYPE {AUTO MANUAL} MEASUREMENT:MEAS<x>:CLOCKRECOVERY:NOMINALOFFSET: SELECTIONTYPE?
Arguments	MEAS<x> specifies the measurement number. AUTO automatically calculates the offset. MANUAL allows the user to set the offset.
Examples	MEASUREMENT:MEAS1:CLOCKRECOVERY:NOMINALOFFSET:SELECTIONTYPE AUTO sets the offset selection type to auto. MEASUREMENT:MEAS1:CLOCKRECOVERY:NOMINALOFFSET:SELECTIONTYPE? might return :MEASUREMENT:MEAS1:CLOCKRECOVERY:NOMINALOFFSET:SELECTIONTYPE MANUAL indicating the selection type is manual.

MEASUREMENT:MEAS<x>:CLOCKRECOVERY:STANDARD

This command sets or queries the communications standard when PLL clock recovery is used for the measurement. The measurement number is specified by x.

Group	Measurement
Syntax	MEASUREMENT:MEAS<x>:CLOCKRECOVERY:STANDARD {CUSTOM ENET100 FW1394BS400B FW1394BS800B FW1394BS1600B FBD1 FBD2 FBD3 FC133 FC266 FC531 FC1063 FC2125 FC4250 FC8500 ENET1000 IBA2500 IBA_GEN2 OC1 OC3 OC12 OC48 PCIE_GEN1 PCIE_GEN2 PCIE_GEN3 RIO125 RIO250 RIO3125 SAS15_NOSSC SAS3_NOSSC SAS6_NOSSC SAS12_NOSSC SAS15_SSC SAS3_SSC SAS6_SSC SAS12_SSC SATA_GEN1 SATA_GEN2 SATA_GEN3 USB3 XAUI XAUI_GEN2}

Arguments MEAS<x> specifies the measurement number.

CUSTOM sets the standard to custom.

ENET100 sets the standard to ENET100.

FW1394BS400B sets the standard to FW1394BS400B.

FW1394BS800B sets the standard to FW1394BS800B.

FW1394BS1600B sets the standard to FW1394BS1600B.

FBD1 sets the standard to FBD1.

FBD2 sets the standard to FBD2.

FBD3 sets the standard to FBD3.

FC133 sets the standard to FC133.

FC266 sets the standard to FC266.

FC531 sets the standard to FC531.

FC1063 sets the standard to FC1063.

FC2125 sets the standard to FC2125.

FC4250 sets the standard to FC4250.

FC8500 sets the standard to FC8500.

ENET1000 sets the standard to ENET1000.

IBA2500 sets the standard to IBA2500.

IBA_GEN2 sets the standard to IBA_GEN2.

OC1 sets the standard to OC1.

OC3 sets the standard to OC3.

OC12 sets the standard to OC12.

OC48 sets the standard to OC48.

PCIE_GEN1 sets the standard to PCIE_GEN1.

PCIE_GEN2 sets the standard to PCIE_GEN2.

PCIE_GEN3 sets the standard to PCIE_GEN3.

RIO125 sets the standard to RIO125.

RIO250 sets the standard to RIO250.

RIO3125 sets the standard to RIO3125.

SAS15_NOSSC sets the standard to SAS15_NOSSC.

SAS3_NOSSC sets the standard to SAS3_NOSSC.

SAS6_NOSSC sets the standard to SAS6_NOSSC.

SAS12_NOSSC sets the standard to SAS12_NOSSC.

SAS15_SSC sets the standard to SAS15_SSC.

SAS3_SSC sets the standard to SAS3_SSC.

SAS6_SSC sets the standard to SAS6_SSC.

SAS12_SSC sets the standard to SAS12_SSC.

SATA_GEN1 sets the standard to SATA_GEN1.

SATA_GEN2 sets the standard to SATA_GEN2.

SATA_GEN3 sets the standard to SATA_GEN3.

USB3 sets the standard to USB3.

XAUI sets the standard to XAUI.

XAUI_GEN2 sets the standard to XAUI_GEN2.

Examples MEASUREMENT:MEAS1:CLOCKRECOVERY:STANDARD PCIE_GEN2 sets the standard to PCIE_GEN2.

MEASUREMENT:MEAS1:CLOCKRECOVERY:STANDARD? might return
:MEASUREMENT:MEAS1:CLOCKRECOVERY:STANDARD PCIE_GEN1 indicating the standard is PCIE_GEN1.

MEASUREMENT:MEAS<x>:CLOCKRECOVERY:TDCOMPENSATION

This command sets the PLL clock recovery loop feedback time-constants such that the actual transfer function matches closely to a mathematical filter polynomial. This will affect measurements whose :MEASUREMENT:MEAS<x>:CLOCKRECOVERY:GLOBAL flag is set to 0.

Group Measurement

Syntax MEASUREMENT:MEAS<x>:CLOCKRECOVERY:TDCOMPENSATION {0|1}
MEASUREMENT:MEAS<x>:CLOCKRECOVERY:TDCOMPENSATION?

Arguments MEAS<x> specifies the measurement number.

0 specifies automatic transition density compensation is off.

1 specifies automatic transition density compensation is on.

Examples `MEASUREMENT:MEAS1:CLOCKRECOVERY:TDCOMPENSATION ON` specifies turning on automatic transition density compensation for PLL.

`MEASUREMENT:MEAS1:CLOCKRECOVERY:TDCOMPENSATION?` might return `:MEASUREMENT:MEAS1:CLOCKRECOVERY:TDCOMPENSATION 0`, indicating automatic transition density compensation is off for PLL.

MEASUREMENT:MEAS<x>:COMMONMODE:FILTERS:STATE

This command sets or queries whether a filter is used for the measurement when the measurement type is AC common mode. Measurements are specified by x.

Group Measurement

Syntax `MEASUREMENT:MEAS<x>:COMMONMODE:FILTERS:STATE {OFF|ON|0|1}`
`MEASUREMENT:MEAS<x>:COMMONMODE:FILTERS:STATE?`

Arguments `MEAS<x>` specifies the measurement number.

`OFF` turns the filter off.

`ON` turns the filter on.

`0` turns the filter off.

`1` turns the filter on.

Examples `MEASUREMENT:MEAS1:COMMONMODE:FILTERS:STATE ON` sets the filter to on.

`MEASUREMENT:MEAS1:COMMONMODE:FILTERS:STATE?` might return `:MEASUREMENT:MEAS1:COMMONMODE:FILTERS:STATE 0` indicating the filter is off.

MEASUREMENT:MEAS<x>:COMMONMODE:SOURCES

This command sets or queries the number of sources for the measurement when the measurement type is AC common mode. Measurements are specified by x.

Group Measurement

Syntax `MEASUREMENT:MEAS<x>:COMMONMODE:SOURCES {SINGLE|DOUBLE}`
`MEASUREMENT:MEAS<x>:COMMONMODE:SOURCES?`

Arguments	MEAS<x> specifies the measurement number. SINGLE specifies a single source. DOUBLE specifies double sources.
Examples	MEASUREMENT:MEAS1:COMMONMODE:SOURCES SINGLE specifies a single source. MEASUREMENT:MEAS1:COMMONMODE:SOURCES? might return :MEASUREMENT:MEAS1:COMMONMODE:SOURCES DOUBLE indicating sources are set to double.

MEASUREMENT:MEAS<x>:COVER

This command sets or queries the Calculate Over for the Power Quality measurement. Measurements are specified by x.

Conditions	IMDA license on MSO 5 and 6 Series MSO instruments and 3-Phase license on 4 Series MSO instruments.
Group	Measurement, IMDA
Syntax	MEASUREMENT:MEAS<x>:COVER {FFREQUENCY AFREQUENCIES} MEASUREMENT:MEAS<x>:COVER?
Arguments	FFREQUENCY sets Calculate Power Quality measurement. AFREQUENCIES sets Calculate Power Quality measurement for all frequencies.
Examples	MEASUREMENT:MEAS1:COVER AFREQUENCIES sets Calculate Power Quality measurement for all frequencies. MEASUREMENT:MEAS1:COVER? might return :MEASUREMENT:MEAS1:COVER AFREQUENCIES, indicating the Calculate Power Quality measurement is set for all frequencies.

MEASUREMENT:MEAS<x>:CPWIDTH

This command sets or queries the channel power width for the measurement. Measurements are specified by x.

Group	Measurement
Syntax	MEASUREMENT:MEAS<x>:CPWIDTH <NR3> MEASUREMENT:MEAS<x>:CPWIDTH?
Arguments	<NR3> is the channel power width. The default value is 10.0e6 and the valid range is 1.0e3 to 8.0e9.
Examples	MEASUREMENT:MEAS2:CPWIDTH 1E+6 sets the channel power width to 1E+6. MEASUREMENT:MEAS2:CPWIDTH? might return :MEASUREMENT:MEAS2:CPWIDTH 1E+6, indicating the channel power width is set to 1E+6 for Measurement 2.

MEASUREMENT:MEAS<x>:CSPACING

This command sets or queries the channel spacing for the measurement. Measurements are specified by x.

Group	Measurement
Syntax	MEASUREMENT:MEAS<x>:CSPACING <NR3> MEASUREMENT:MEAS<x>:CSPACING?
Arguments	<NR3> is the channel spacing. The default value is 5.0e6 and the valid range is 1.0e3 to 8.0e9.
Examples	MEASUREMENT:MEAS2:CSPACING 5.0e6 sets the channel power width to 1E+6. MEASUREMENT:MEAS2:CSPACING? might return :MEASUREMENT:MEAS2:CSPACING 5.0e6, indicating the channel spacing is set to 5.0e6 for Measurement 2.

MEASUREMENT:MEAS<x>:CUSTOMLIMITSFile

This command sets or queries the custom limits file path for custom harmonics standard. Measurements are specified by x.

Group	Measurement, IMDA
--------------	-------------------

Syntax `MEASUREMENT:MEAS<x>:CUSTOMLIMITSfile <QString>`
`MEASUREMENT:MEAS<x>:CUSTOMLIMITSfile?`

Arguments `MEAS<x>` specifies the measurement number.
`<QString>` specifies the location of limits file.

Examples `MEASUREMENT:MEAS1:CUSTOMLIMITSfile <C:\MyDir\Limits.csv>` sets the location of the limits file as `C:\MyDir\`.
`MEASUREMENT:MEAS1:CUSTOMLIMITSfile?` might return
`:MEASUREMENT:MEAS1:CUSTOMLIMITSfile <C:\MyDir\Limits.csv>`, indicating the location of the `Limits.csv` file.

MEASUREMENT:MEAS<x>:CYCLEmode

This command sets or queries the cycle mode for the measurement. Measurements are specified by `x`.

Group Measurement, IMDA

Syntax `MEASUREMENT:MEAS<x>:CYCLEmode {RECORD|CYCLE|ROTATION}`
`MEASUREMENT:MEAS<x>:CYCLEmode?`

Arguments `MEAS<x>` specifies the measurement number.
`RECORD` specifies that the measurement is taken over the whole record.
`CYCLE` specifies that measurements are taken on each cycle of the source.
`ROTATION` specifies that measurements are taken on a rotation of the source.

Examples `MEASUREMENT:MEAS1:CYCLEmode CYCLE` sets the measurement to be taken over each cycle of the source.
`MEASUREMENT:MEAS1:CYCLEmode?` might return
`:MEASUREMENT:MEAS1:CYCLEMODE RECORD` indicating the measurement is taken over the whole record.

MEASUREMENT:MEAS<x>:DBDown

This command sets or queries the dB down value for the measurement. Measurements are specified by `x`.

Group	Measurement
Syntax	MEASUREMENT:MEAS<x>:DBDown <NR3> MEASUREMENT:MEAS<x>:DBDown?
Related Commands	MEASUREMENT:MEAS<x>:OBWMethod
Arguments	<NR3> sets the dB down value. The default value is -26 and the valid range is -80 to -1.
Examples	MEASUREMENT:MEAS3:DBDown -25 sets the dB down to -25 for measurement 3. :MEASUREMENT:MEAS2:DBDown? might return :MEASUREMENT:MEAS2:DBDown -25 indicating the dB down value is to -25.

MEASUREMENT:MEAS<x>:DELAY:EDGE<x>

This command sets or queries the 'to edge' type when EDGE<x> is EDGE1 and the 'from edge' type when EDGE<x> is EDG2, for the measurement when the measurement type is DELAY. Measurements are specified by x.

Group	Measurement
Syntax	MEASUREMENT:MEAS<x>:DELAY:EDGE<x> {FALL RISe BOTH SAMEas OPPosi teas} MEASUREMENT:MEAS<x>:DELAY:EDGE<x>?
Related Commands	MEASUREMENT:MEAS<x>:TOEdge
Arguments	MEAS<x> specifies the measurement number. FALL specifies the falling edge of the waveform. RISe specifies the rising edge of the waveform. BOTH specifies both a rising and falling edge of the waveform. SAMEas specifies that both edges of the waveform are the same. OPPosi teas specifies that the edges of the waveform are not the same.

Examples `MEASUREMENT:MEAS3:DELAY:EDGE2 RISE` specifies that the rising edge of the waveform be used for measurement 3.

`MEASUREMENT:MEAS1:DELAY:EDGE2?` might return
`:MEASUREMENT:MEAS1:DELAY:EDGE2 FALL`, indicating that the falling edge of the waveform is being used for measurement 1.

MEASUREMENT:MEAS<x>:DISPLAYSTAT:ENABLE

This command turns on and off display of statistics in measurement badges in the user interface. This command affects only the display of statistics, basic-statistics are computed regardless of the state of this command. Measurements are specified by x.

Group Measurement

Syntax `MEASUREMENT:MEAS<x>:DISPLAYSTAT:ENABLE {OFF|ON|<NR1>}`
`MEASUREMENT:MEAS<x>:DISPLAYSTAT:ENABLE?`

Arguments `MEAS<x>` specifies the measurement number.

`OFF` turns off the display of statistics in measurement badges.

`ON` turns on the display of statistics in measurement badges.

`<NR1> = 0` turns off the display of statistics in the measurement badge, any other value turns on the display of statistics.

Examples `MEASUREMENT:MEAS<x>:DISPLAYSTAT:ENABLE 0` turns off the display of statistics in the measurement badge.

`MEASUREMENT:MEAS<x>:DISPLAYSTAT:ENABLE?` might return
`:MEASUREMENT:MEAS1:DISPLAYSTAT:ENABLE 1` indicating that the display of statistics in the measurement badge is on.

MEASUREMENT:MEAS<x>:EDGEINCR

This command sets or queries the edge increment value for the measurement. Measurements are specified by x.

Group Measurement

Syntax	MEASUREMENT:MEAS<x>:EDGEINCre <NR3> MEASUREMENT:MEAS<x>:EDGEINCre?
Arguments	MEAS<x> specifies the measurement number. <NR3> is the measurements edge increment value.
Examples	:MEASUREMENT:MEAS2:EDGEINCRE? might return :MEASUREMENT:MEAS2:EDGEINCRE 1.0000 indicating the edge increment value is set to 1.0000.

MEASUREMENT:MEAS<x>:EDGEQUALifier

This command sets or queries the edge qualifier source.

Conditions	Requires option 5-DPM (5 Series MSO instruments) or 6-DPM (6 Series MSO instrument)
Group	DPM, IMDA
Syntax	MEASUREMENT:MEAS<x>:EDGEQUALifier {CH<x> MATH<x> REF<x>} MEASUREMENT:MEAS<x>:EDGEQUALifier?
Arguments	MEAS<x> is the measurement number. CH<x> is the edge qualifier source channel. MATH<x> is the edge qualifier source math waveform; <x> is ≥ 1 . REF<x> is the edge qualifier source reference waveform; <x> is ≥ 1 .
Examples	MEASUREMENT:MEAS1:EDGEQUALifier CH4 sets the edge qualifier source for measurement 1 to Channel 4. MEASUREMENT:MEAS3:EDGEQUALifier? might return UNDEFINED, indicating that there is no edge qualifier source set for measurement 3.

MEASUREMENT:MEAS<x>:EDGES:FROMLevel

This command sets or queries the 'from level' edge for the measurement. Measurements are specified by x.

Group	Measurement
Syntax	MEASUREMENT:MEAS<x>:EDGES:FROMLevel {MID LOW HIGH} MEASUREMENT:MEAS<x>:EDGES:FROMLevel?
Arguments	MEAS<x> specifies the measurement number. MID specifies the MID level. HIGH specifies the HIGH level. LOW specifies the LOW level.
Examples	MEASUREMENT:MEAS1:EDGES:FROMLevel HIGH set the from level to the high level MEASUREMENT:MEAS1:EDGES:FROMLevel? might return :MEASUREMENT:MEAS1:EDGES:FROMLEVEL LOW indicating the from level is the low level.

MEASUREMENT:MEAS<x>:EDGES:LEVEL

This sets or queries the level type for the 'time outside level' measurement. Measurements are specified by x.

Group	Measurement
Syntax	MEASUREMENT:MEAS<x>:EDGES:LEVEL {HIGH LOW BOTH} MEASUREMENT:MEAS<x>:EDGES:LEVEL?
Arguments	MEAS<x> specifies the measurement number. HIGH specifies the HIGH level. LOW specifies the LOW level. BOTH specifies both the HIGH and LOW level.
Examples	MEASUREMENT:MEAS1:EDGES:LEVEL LOW sets the level to the low level. MEASUREMENT:MEAS1:EDGES:LEVEL? might return :MEASUREMENT:MEAS1:EDGES:LEVEL HIGH indicating the level is set to the high level.

MEASUREMENT:MEAS<x>:EDGES:LOWERFREQUENCY

This command sets or queries the lower frequency for the measurement when the measurement type is phase noise. Lower frequencies are ignored. Measurements are specified by x.

Group	Measurement
Syntax	MEASUREMENT:MEAS<x>:EDGES:LOWERFREQUENCY <NR3> MEASUREMENT:MEAS<x>:EDGES:LOWERFREQUENCY?
Arguments	MEAS<x> specifies the measurement number. <NR3> is the lower frequency of the edge.
Examples	MEASUREMENT:MEAS1:EDGES:LOWERFREQUENCY 1.0e3 sets the lower frequency to 1 kHz. MEASUREMENT:MEAS1:EDGES:LOWERFREQUENCY? might return :MEASUREMENT:MEAS1:EDGES:LOWERFREQUENCY 0.0E+0 indicating the lower frequency is set to 0.0 Hertz.

MEASUREMENT:MEAS<x>:EDGES:N

The command sets or queries the number of accumulation cycles for the measurement when the measurement type is nperiod. Measurements are specified by x.

Group	Measurement
Syntax	MEASUREMENT:MEAS<x>:EDGES:N <NR3> MEASUREMENT:MEAS<x>:EDGES:N?
Arguments	MEAS<x> specifies the measurement number. <NR3> is the maximum number of edges used by the measurement.
Examples	measurement:meas1:edges:n 2 sets the number of edges to 2. measurement:meas1:edges:n? might return :MEASUREMENT:MEAS1:EDGES:N 6.0000.

MEASUREMENT:MEAS<x>:EDGES:SLEWRATEMethod

This command sets or queries the slew rate method for the measurement. Measurements are specified by x.

Group	Measurement
Syntax	MEASUREMENT:MEAS<x>:EDGES:SLEWRATEMethod {NOMINAL DDR} MEASUREMENT:MEAS<x>:EDGES:SLEWRATEMethod?
Arguments	MEAS<x> specifies the measurement number. NOMINAL specifies the nominal slew rate method. DDR specifies the DDR slew rate method.
Examples	measurement:meas1:edges:slewratemethod NOMINAL specifies the nominal slew rate method. measurement:meas1:edges:slewratemethod? might return :MEASUREMENT:MEAS1:EDGES:SLEWRATEMETHOD NOMINAL indicating the slew rate method is set to NOMINAL.

MEASUREMENT:MEAS<x>:EDGES:TOLevel

This command sets or queries the 'to level' edge for the measurement. Measurements are specified by x.

Group	Measurement
Syntax	MEASUREMENT:MEAS<x>:EDGES:TOLevel {HIGH MID LOW} MEASUREMENT:MEAS<x>:EDGES:TOLevel?
Arguments	MEAS<x> specifies the measurement number. HIGH specifies the HIGH level. MID specifies the MID level. LOW specifies the LOW level.

Examples `MEASUREMENT:MEAS1:EDGES:TOLevel HIGH` specifies the High to level.
`MEASUREMENT:MEAS1:EDGES:TOLevel?` might return
`:MEASUREMENT:MEAS1:EDGES:TOLEVEL LOW` indicating the to level
edge is set to the Low level.

MEASUREMENT:MEAS<x>:EDGES:UPPERFREQUENCY

This command sets or queries the upper frequency for the measurement when the measurement type is phase noise. Higher frequencies are ignored. Measurements are specified by x.

Group Measurement

Syntax `MEASUREMENT:MEAS<x>:EDGES:UPPERFREQUENCY <NR3>`
`MEASUREMENT:MEAS<x>:EDGES:UPPERFREQUENCY?`

Arguments `MEAS<x>` specifies the measurement number.
<NR3> is the upper frequency of the edge.

Examples `MEASUREMENT:MEAS1:EDGES:UPPERFREQUENCY 1.5` sets the upper frequency
to 1.5 MHz.
`MEASUREMENT:MEAS1:EDGES:UPPERFREQUENCY?` might return
`:MEASUREMENT:MEAS1:EDGES:UPPERFREQUENCY 1.0000E+6` indicating the
upper frequency is 1.0 MHz.

MEASUREMENT:MEAS<x>:EDGE<x>

This command sets or queries the type of the specified edge, rise or fall, for the measurement. The measurement number is specified by x.

Group Measurement

Syntax `MEASUREMENT:MEAS<x>:EDGE<x> {RISE|FALL|BOTH}`

Arguments `MEAS<x>` specifies the measurement number.
RISE specifies the rising edge.
FALL specifies the falling edge.

BOTH specifies either the rising or falling edge.

Examples MEASUREMENT:MEAS2:EDGE1? might return :MEASUREMENT:MEAS2:EDGE1 RISE indicating that edge 1 of measurement 2 is the rising edge.

MEASUREMENT:MEAS<x>:EEQUAL

This command turns on or off the edge qualifier settings as input waveform to measurement. The measurement number is specified by x.

Conditions Requires a WBG-DPT license.

Group Measurement, WBG

Syntax MEASUREMENT:MEAS<x>:EEQUAL {ON|OFF}
MEASUREMENT:MEAS<x>:EEQUAL?

Arguments MEAS<x> specifies the measurement number.
ON specifies the edge qualifier settings has been turned on.
OFF specifies the edge qualifier settings has been turned off.

Examples MEASUREMENT:MEAS1:EEQUAL ON the edge qualifier settings to on.
MEASUREMENT:MEAS1:EEQUAL? might return :MEASUREMENT:MEAS1:EEQUAL OFF, indicating the edge qualifier settings is off.

MEASUREMENT:MEAS<x>:EINDUCTANCE

This command sets or returns the effective inductance for WBG measurement.

Conditions Requires a WBG-DPT License.

Group Measurement, WBG

Syntax MEASUREMENT:MEAS<x>:EINDUCTANCE <NR3>
MEASUREMENT:MEAS<x>:EINDUCTANCE?

Arguments	MEAS<x> specifies the measurement number. <NR3> specifies the value for effective inductance of the WBG measurement.
Examples	MEASUREMENT:MEAS2:EINDUCTANCE 1.0000 specifies the value for effective inductance as 1 for measurement 2. MEASUREMENT:MEAS2:EINDUCTANCE? might return :MEASUREMENT:MEAS2:EINDUCTANCE 1.0000 indicating the value for effective inductance is 1 for measurement 2.

MEASUREMENT:MEAS<x>:EINTERPOLATION

This command sets or queries whether dot mode eye diagram is enabled.

Group	Measurement
Syntax	MEASUREMENT:MEAS<x>:EINTERPOLATION {ON OFF} MEASUREMENT:MEAS<x>:EINTERPOLATION?
Arguments	MEAS<x> specifies the measurement number. ON enables interpolation between samples. OFF disables interpolation between samples.
Examples	MEASUREMENT:MEAS1:EINTERPOLATION ON enables interpolation between samples for measurement 1. MEASUREMENT:MEAS1:EINTERPOLATION? might return :MEASUREMENT:MEAS1:EINTERPOLATION OFF, indicating that interpolation between samples is disabled for measurement 1.

MEASUREMENT:MEAS<x>:EXTENDUIS

This command sets or returns number of UIs considered for analysis of eye width or eye height measurement.

Group	Measurement
Syntax	MEASUREMENT:MEAS<x>:EXTENDUIS <NR1> MEASUREMENT:MEAS<x>:EXTENDUIS?

Arguments	MEAS<x> specifies the measurement number. <NR1> is the number of UIs considered for analysis.
Examples	MEASUREMENT:MEAS1:EXTENDUIs 250 sets the number of UIs considered for analysis as 250 for measurement 1. MEASUREMENT:MEAS1:EXTENDUIs? might return :MEASUREMENT:MEAS1:EXTENDUIs 250, indicating that number of UIs considered for analysis is 250 for measurement 1.

MEASUREMENT:MEAS<x>:EYERENDER

This command sets or queries the eye rendering method.

Group	Measurement
Syntax	MEASUREMENT:MEAS<x>:EYERENDER {FAST COMPLETE} MEASUREMENT:MEAS<x>:EYERENDER?
Arguments	MEAS<x> specifies the measurement number. FAST sets the eye rendering method to fast. COMPLETE sets the eye rendering method to complete.
Examples	MEASUREMENT:MEAS1:EYERENDER COMPLETE enables complete eye rendering for measurement 1. MEASUREMENT:MEAS1:EYERENDER? might return :MEASUREMENT:MEAS1:EYERENDER COMPLETE, indicating that complete eye rendering is selected for measurement 1.

MEASUREMENT:MEAS<x>:FAILCOUNT? (Query Only)

This command returns the number of measurement failures, if applicable, for the selected measurement. The measurement number is specified by x.

Group	Measurement
Syntax	MEASUREMENT:MEAS<x>:FAILCOUNT?

Related Commands	ACTONEVent:ENable ACTONEVent:MEASUrement:ACTION:SAVEIMAGe:STATE ACTONEVent:MEASUrement:ACTION:SAVEWAVEform:STATE ACTONEVent:MEASUrement:ACTION:SRQ:STATE ACTONEVent:MEASUrement:ACTION:STOPACQ:STATE
Returns	A running sum of the number of violations of the user specified measurement limit.
Examples	<pre>MEASUREMENT:MEAS2:FAILCOUNT? might return :MEASUREMENT:MEAS2:FAILCOUNT 2</pre> indicating that measurement 2 has two measurement failures.

MEASUREMENT:MEAS<x>:FCOUNT

This command sets or returns the filter count for PSIJ measurement.

Conditions	Requires option 5-DPM (5 Series MSO instruments) or 6-DPM (6 Series MSO instrument)
Group	DPM
Syntax	<pre>MEASUREMENT:MEAS<x>:FCOUNT <NR3> MEASUREMENT:MEAS<x>:FCOUNT?</pre>
Arguments	MEAS<x> specifies the measurement number. <NR3> specifies the number of filters applied for PSIJ measurement.
Examples	<pre>MEASUREMENT:MEAS1:FCOUNT 10</pre> sets the number of filters to 10. <pre>MEASUREMENT:MEAS1:FCOUNT?</pre> might return <pre>:MEASUREMENT:MEAS1:FCOUNT 10</pre> , indicating the filter count is 10.

MEASUREMENT:MEAS<x>:FILTERRANGEFROM

This command sets or queries harmonics filter from order. Measurements are specified by x.

Group	Measurement, IMDA
Syntax	MEASUREMENT:MEAS<x>:FILTERRANGEFROM <NR3> MEASUREMENT:MEAS<x>:FILTERRANGEFROM?
Arguments	MEAS<x> specifies the measurement number. <NR3> specifies the filter range from value. The default value is 1.
Examples	MEASUREMENT:MEAS1:FILTERRANGEFROM 4 sets filter range from value for measurement 1 to 4. MEASUREMENT:MEAS1:FILTERRANGEFROM? might return :MEASUREMENT:MEAS1:FILTERRANGEFROM 3, indicating the filter range from value is 3.

MEASUREMENT:MEAS<x>:FILTERRANGETO

This command sets or queries harmonics filter to order. Measurements are specified by x.

Group	Measurement, IMDA
Syntax	MEASUREMENT:MEAS<x>:FILTERRANGETO <NR3> MEASUREMENT:MEAS<x>:FILTERRANGETO?
Arguments	MEAS<x> specifies the measurement number. <NR3> specifies the filter range to value. The default value is 50.
Examples	MEASUREMENT:MEAS1:FILTERRANGETO 50 sets filter range to value for measurement 1 to 50. MEASUREMENT:MEAS1:FILTERRANGETO? might return :MEASUREMENT:MEAS1:FILTERRANGETO 50, indicating the filter range to value is 50.

MEASUREMENT:MEAS<x>:FILTERs:BLANKingtime

This command sets or queries the filter blanking time for the measurement. Measurements are specified by x.

Group	Measurement
Syntax	<pre>MEASUREMENT:MEAS<x>:FILTERS:BLANKingtime <NR3> MEASUREMENT:MEAS<x>:FILTERS:BLANKingtime?</pre>
Arguments	<p>MEAS<x> specifies the measurement number.</p> <p><NR3> is the current filter blanking time.</p>
Examples	<p>MEASUREMENT:MEAS1:FILTERS:BLANKingtime 3.5 sets the blanking time to 3.5.</p> <p>MEASUREMENT:MEAS1:FILTERS:BLANKingtime? might return :MEASUREMENT:MEAS1:FILTERS:BLANKINGTIME 4.0000 indicating the filter blanking time is 4.0.</p>

MEASUREMENT:MEAS<x>:FILTERS:GLOBAL

This command sets or queries the global flag for filter settings for the measurement. Measurements are specified by x.

Group	Measurement
Syntax	<pre>MEASUREMENT:MEAS<x>:FILTERS:GLOBAL {OFF ON 0 1} MEASUREMENT:MEAS<x>:FILTERS:GLOBAL?</pre>
Arguments	<p>MEAS<x> specifies the measurement number.</p> <p>OFF causes filter settings to be changed independently for each individual measurement.</p> <p>ON applies global filter settings to all the measurements' filter settings.</p> <p>0 causes filter settings to be changed independently for each individual measurement.</p> <p>1 applies global filter settings to all the measurements' filter settings.</p>
Examples	<p>MEASUREMENT:MEAS<x>:FILTERS:GLOBAL OFF causes filter settings to be changed independently for each individual measurement.</p> <p>MEASUREMENT:MEAS<x>:FILTERS:GLOBAL? might return :MEASUREMENT:MEAS1:FILTERS:GLOBAL 1 indicating filter settings are for all measurements.</p>

MEASUREMENT:MEAS<x>:FILTERS:HIGHPASS:FREQ

This command sets or queries the high pass filter frequency for the measurement. Measurements are specified by x.

Group	Measurement
Syntax	MEASUREMENT:MEAS<x>:FILTERS:HIGHPASS:FREQ <NR3> MEASUREMENT:MEAS<x>:FILTERS:HIGHPASS:FREQ?
Arguments	MEAS<x> specifies the measurement number. <NR3> is the current high pass filter frequency.
Examples	MEASUREMENT:MEAS1:FILTERS:HIGHPASS:FREQ 15.0E+6 sets the high pass frequency to 15.0 MHz. MEASUREMENT:MEAS1:FILTERS:HIGHPASS:FREQ? might return :MEASUREMENT:MEAS1:FILTERS:HIGHPASS:FREQ 10.0000E+6 indicating the high pass frequency is set to 10.0 MHz.

MEASUREMENT:MEAS<x>:FILTERS:HIGHPASS:SPEC

This command sets or queries the high pass filter order for the measurement. Measurements are specified by x.

Group	Measurement
Syntax	MEASUREMENT:MEAS<x>:FILTERS:HIGHPASS:SPEC {NONE FIRST SECOND THIRD} MEASUREMENT:MEAS<x>:FILTERS:HIGHPASS:SPEC?
Arguments	MEAS<x> specifies the measurement number. NONE specifies no filter. FIRST specifies a first-order filter. SECOND specifies a second-order filter. THIRD specifies a third-order filter.
Examples	MEASUREMENT:MEAS1:FILTERS:HIGHPASS:SPEC FIRST specifies a first-order filter.

MEASUREMENT:MEAS1:FILTERS:HIGHPASS:SPEC? might return
:MEASUREMENT:MEAS1:FILTERS:HIGHPASS:SPEC NONE indicating no high
pass filter is used.

MEASUREMENT:MEAS<x>:FILTERS:LOWPASS:FREQ

This command sets or queries the low pass filter cutoff frequency for the measurement. Measurements are specified by x.

Group	Measurement
Syntax	MEASUREMENT:MEAS<x>:FILTERS:LOWPASS:FREQ <NR3> MEASUREMENT:MEAS<x>:FILTERS:LOWPASS:FREQ?
Arguments	MEAS<x> specifies the measurement number. <NR3> is the current low pass filter frequency. The argument range is 20 Hz to 10e6 Hz.
Examples	MEASUREMENT:MEAS1:FILTERS:LOWPASS:FREQ 5.0E+6 sets the low pass frequency to 5.0 MHz. MEASUREMENT:MEAS1:FILTERS:LOWPASS:FREQ? might return :MEASUREMENT:MEAS1:FILTERS:LOWPASS:FREQ 10.0000E+6 indicating the low pass frequency is 10.0 MHz.

MEASUREMENT:MEAS<x>:FILTERS:LOWPASS:SPEC

This command sets or queries the low pass filter order for the measurement. Measurements are specified by x.

Group	Measurement
Syntax	MEASUREMENT:MEAS<x>:FILTERS:LOWPASS:SPEC {NONE FIRST SECOND THIRD} MEASUREMENT:MEAS<x>:FILTERS:LOWPASS:SPEC?
Arguments	MEAS<x> specifies the measurement number. NONE specifies no filter. FIRST specifies a first-order filter.

SECOND specifies a second-order filter.

THIRD specifies a third-order filter.

Examples `MEASUREMENT:MEAS1:FILTERS:LOWPASS:SPEC FIRST` specifies a first-order filter.

`MEASUREMENT:MEAS1:FILTERS:LOWPASS:SPEC?` might return
`:MEASUREMENT:MEAS1:FILTERS:LOWPASS:SPEC NONE` indicating no low pass filter is used.

MEASUREMENT:MEAS<x>:FILTERS:RAMPTIME

This command sets or queries the filter ramp time for the measurement. Measurements are specified by x.

Group Measurement

Syntax `MEASUREMENT:MEAS<x>:FILTERS:RAMPTIME <NR3>`
`MEASUREMENT:MEAS<x>:FILTERS:RAMPTIME?`

Arguments `MEAS<x>` specifies the measurement number.
`<NR3>` is the current filter ramp time.

Examples `MEASUREMENT:MEAS1:FILTERS:RAMPTIME 1.5` sets the ramp time to 1.5.

`MEASUREMENT:MEAS1:FILTERS:RAMPTIME?` might return
`:MEASUREMENT:MEAS1:FILTERS:RAMPTIME 2.0000` indicating the ramp time is 2.0.

MEASUREMENT:MEAS<x>:FORDER

This command sets or returns the differential filter order for WBG measurement.

Conditions Requires a WBG-DPT License.

Group Measurement, WBG

Syntax `MEASUREMENT:MEAS<x>:FORDER <NR3>`
`MEASUREMENT:MEAS<x>:FORDER?`

Arguments	MEAS<x> specifies the measurement number. <NR3> specifies the differential filter order of the WBG measurement.
Examples	MEASUREMENT:MEAS2:FORDER 1.0000 specifies the differential filter order as 1 for measurement 2. MEASUREMENT:MEAS2:FORDER? might return :MEASUREMENT:MEAS2:FORDER 1.0000 indicating the differential filter order is 1 for measurement 2.

MEASUREMENT:MEAS<x>:FPARAMETER

This command sets or queries the roll off factor for the RRC filter in the measurement. Measurements are specified by x.

Group	Measurement
Syntax	MEASUREMENT:MEAS<x>:FPARAMETER <NR3> MEASUREMENT:MEAS<x>:FPARAMETER?
Related Commands	MEASUREMENT:MEAS<x>:FTYPE
Arguments	<NR3> sets the roll off factor. The default is 0.22. The valid range is from 0.001 to 1.0.
Examples	MEASUREMENT:MEAS1:FPARAMETER 0.22 sets the roll off factor to 0.22. MEASUREMENT:MEAS1:FPARAMETER? might return :MEASUREMENT:MEAS1:FPARAMETER 0.22, indicating the roll off factor is 0.22.

MEASUREMENT:MEAS<x>:FREQ

This command sets or queries switching frequency for Switching Ripple measurement. Measurements are specified by x.

Group	Measurement, IMDA
Syntax	MEASUREMENT:MEAS<x>:FREQ <NR3> MEASUREMENT:MEAS<x>:FREQ?

- Arguments** MEAS<x> specifies the measurement number.
- <NR3> specifies the switching frequency. The default is 100k Hz, The minimum is 50 Hz, and the maximum is 1 GHz
- Examples** MEASUREMENT:MEAS1:FREQ 50k sets the switching frequency of measurement 1 to 50k Hz.
- MEASUREMENT:MEAS1:FREQ? might return :MEASUREMENT:MEAS1:FREQ 100k, indicating the switching frequency is 100k Hz.

MEASUREMENT:MEAS<x>:FROMedge

This command sets or queries the from edge type for the measurement. Measurements are specified by x.

- Group** Measurement
- Syntax** MEASUREMENT:MEAS<x>:FROMedge {RISE|FALL|BOTH}
MEASUREMENT:MEAS<x>:FROMedge?
- Arguments** MEAS<x> specifies the measurement number.
- FALL specifies the falling edge of the waveform.
- RISE specifies the rising edge of the waveform.
- BOTH specifies both the rising and falling edges of the waveform.
- Examples** MEASUREMENT:MEAS1:FROMedge RISE specifies the rising edge of the waveform.
- MEASUREMENT:MEAS1:FROMedge? might return
:MEASUREMENT:MEAS1:FROMEDGE BOTH indicating both the rising and falling edges of the waveform.

MEASUREMENT:MEAS<x>:FROMEDGESEARCHDIRect

This command sets or queries the from edge search direction for the measurement. Measurements are specified by x.

- Group** Measurement

Syntax	<pre>MEASurement:MEAS<x>:FROMEDGESEARCHDIRECT {FORWARD BACKWARD} MEASurement:MEAS<x>:FROMEDGESEARCHDIRECT?</pre>
Arguments	<p>MEAS<x> specifies the measurement number.</p> <p>FORWARD specifies a forward search from the edge.</p> <p>BACKWARD specifies a backward search from the edge.</p>
Examples	<p>MEASurement:MEAS1:FROMEDGESEARCHDIRECT BACKWARD specifies a backward search from the edge.</p> <p>MEASurement:MEAS1:FROMEDGESEARCHDIRECT? might return MEASUREMENT:MEAS1:FROMEDGESEARCHDIRECT FORWARD indicating a forward search from the edge.</p>

MEASurement:MEAS<x>:FROMSymbol:LOGIC2SOURCE

This command sets or queries the DDR digital measurement logic 1 source From symbol.

Conditions	<p>Requires option 6-DBDDR3.</p> <p>Requires a 6 Series MSO instrument.</p>
Group	Measurement
Syntax	<pre>MEASurement:MEAS<x>:FROMSymbol:LOGIC2SOURCE {H L X} MEASurement:MEAS<x>:FROMSymbol:LOGIC2SOURCE?</pre>
Related Commands	MEASurement:ADDMEAS
Arguments	<p>MEAS<x> specifies the measurement number.</p> <p>H sets the logic source 1 From Symbol to H (High).</p> <p>L sets the logic source 1 From Symbol to L (Low).</p> <p>X sets the logic source 1 From Symbol to X (Don't care).</p>
Examples	<p>MEASurement:MEAS1:FROMSymbol:LOGIC2SOURCE H sets the DDR digital measurement (DDRTRPMRS/DDRTRPACT) logic 1 source From Symbol to High.</p>

MEASUREMENT:MEAS1:FROMSYMBOL:LOGIC2SOURCE? might return
MEASUREMENT:MEAS1:FROMSYMBOL:LOGIC2SOURCE H, indicating that the
DDR digital measurement (DDRTRPMRS/DDRTRPACT) From symbol is set
to H.

MEASUREMENT:MEAS<x>:FROMSYMBOL:LOGIC3SOURCE

This command sets or queries the DDR digital measurement logic 2 source From
symbol.

Conditions Requires option 6-DBDDR3.
Requires a 6 Series MSO instrument.

Group Measurement

Syntax MEASUREMENT:MEAS<x>:FROMSYMBOL:LOGIC3SOURCE {H|L|X}
MEASUREMENT:MEAS<x>:FROMSYMBOL:LOGIC3SOURCE?

Related Commands [MEASUREMENT:ADDMEAS](#)

Arguments MEAS<x> specifies the measurement number.
H sets the logic source 2 From Symbol to H (High).
L sets the logic source 2 From Symbol to L (Low).
X sets the logic source 2 From Symbol to X (Don't care).

Examples MEASUREMENT:MEAS1:FROMSYMBOL:LOGIC3SOURCE H sets the DDR digital
measurement (DDRTRPMRS/DDRTRPACT) logic 1 source From Symbol to
High.
MEASUREMENT:MEAS1:FROMSYMBOL:LOGIC3SOURCE? might return
MEASUREMENT:MEAS1:FROMSYMBOL:LOGIC3SOURCE H, indicating that the
DDR digital measurement (DDRTRPMRS/DDRTRPACT) From symbol is set
to H.

MEASUREMENT:MEAS<x>:FROMSYMBOL:LOGIC4SOURCE

This command sets or queries the DDR digital measurement logic 3 source From
symbol.

Conditions	Requires option 6-DBDDR3. Requires a 6 Series MSO instrument.
Group	Measurement
Syntax	MEASUREMENT:MEAS<x>:FROMSYMBOL:LOGIC4SOURCE {H L X} MEASUREMENT:MEAS<x>:FROMSYMBOL:LOGIC4SOURCE?

Related Commands [MEASUREMENT:ADDMEAS](#)

Arguments	MEAS<x> specifies the measurement number. H sets the logic source 3 From Symbol to H (High). L sets the logic source 3 From Symbol to L (Low). X sets the logic source 3 From Symbol to X (Don't care).
------------------	------------------------------------------------------------------------------------------------------------------------------------------------------------------------------------------------------------------

Examples	MEASUREMENT:MEAS1:FROMSYMBOL:LOGIC4SOURCE H sets the DDR digital measurement (DDRTRPMRS/DDRTRPACT) logic 1 source From Symbol to High. MEASUREMENT:MEAS1:FROMSYMBOL:LOGIC4SOURCE? might return MEASUREMENT:MEAS1:FROMSYMBOL:LOGIC4SOURCE H, indicating that the DDR digital measurement (DDRTRPMRS/DDRTRPACT) From symbol is set to H.
-----------------	-----------------------------------------------------------------------------------------------------------------------------------------------------------------------------------------------------------------------------------------------------------------------------------------------------------------------------------------------

MEASUREMENT:MEAS<x>:FROMSYMBOL:LOGIC5SOURCE

This command sets or queries the DDR digital measurement logic 4 source From symbol.

Conditions	Requires option 6-DBDDR3. Requires a 6 Series MSO instrument.
Group	Measurement
Syntax	MEASUREMENT:MEAS<x>:FROMSYMBOL:LOGIC5SOURCE {H L X} MEASUREMENT:MEAS<x>:FROMSYMBOL:LOGIC5SOURCE?

Related Commands [MEASUREMENT:ADDMEAS](#)

Arguments MEAS<x> specifies the measurement number.
H sets the logic source 4 From Symbol to H (High).
L sets the logic source 4 From Symbol to L (Low).
X sets the logic source 4 From Symbol to X (Don't care).

Examples MEASUREMENT:MEAS1:FROMSYMBOL:LOGIC5SOURCE H sets the DDR digital measurement (DDRTRPMRS/DDRTRPACT) logic 1 source From Symbol to High.

MEASUREMENT:MEAS1:FROMSYMBOL:LOGIC5SOURCE? might return
MEASUREMENT:MEAS1:FROMSYMBOL:LOGIC5SOURCE H, indicating that the DDR digital measurement (DDRTRPMRS/DDRTRPACT) From symbol is set to H.

MEASUREMENT:MEAS<x>:FROMSYMBOL:MEASUREAT

This command sets or queries the DDR digital measurement From Symbol MeasureAT value.

Conditions Requires option 6-DBDDR3.
Requires a 6 Series MSO instrument.

Group Measurement

Syntax MEASUREMENT:MEAS<x>:FROMSYMBOL:MEASUREAT
{Start|Stop|ClockEdge}
MEASUREMENT:MEAS<x>:FROMSYMBOL:MEASUREAT?

Related Commands [MEASUREMENT:ADDMEAS](#)

Arguments MEAS<x> specifies the measurement number.
Start sets the FromSymbol MeasureAT to Start.
Stop sets the FromSymbol MeasureAT to Stop.
ClockEdge sets the FromSymbol MeasureAT to ClockEdge.

Examples `MEASUREMENT:MEAS1:FROMSYMBOL:MEASUREAT Start` sets the DDR digital measurement (DDRTRPMRS/DDRTRPACT/DDRTCKSRE/DDRTCKSRX) FromSymbol MeasureAT value to Start.

`MEASUREMENT:MEAS1:FROMSYMBOL:MEASUREAT?` might return the `MEASUREMENT:MEAS1:FROMSYMBOL:MEASUREAT Stop`, indicating that the DDR digital measurement (DDRTRPMRS/DDRTRPACT/DDRTCKSRE/DDRTCKSRX) FromSymbol MeasureAT value is set to Stop.

MEASUREMENT:MEAS<x>:FTYPE

This command sets or returns whether the RRC filter is enabled or not. Measurements are specified by x.

Group Measurement

Syntax `MEASUREMENT:MEAS<x>:FTYPE {True|False}`
`MEASUREMENT:MEAS<x>:FTYPE?`

Arguments True enables the RRC filter.
 False disables the RRC filter.

Examples `MEASUREMENT:MEAS2:FTYPE True` enables the RRC filter.

`MEASUREMENT:MEAS2:FTYPE?` might return the `:MEASUREMENT:MEAS2:FTYPE False`, indicating the RRC filter is disabled for Measurement 2.

MEASUREMENT:MEAS<x>:FUNDCURRENT

This command sets or queries the fundamental current value for IEC-Class C type harmonics standard. Measurements are specified by x.

Group Measurement, IMDA

Syntax `MEASUREMENT:MEAS<x>:FUNDCURRENT <NR3>`
`MEASUREMENT:MEAS<x>:FUNDCURRENT?`

Arguments	<p>MEAS<x> specifies the measurement number.</p> <p><NR3> specifies the value for the fundamental current for class C harmonics standard.</p> <p>\</p>
Examples	<p>MEASUREMENT:MEAS1:FUNDCURRENT 16.0000 specifies the fundamental current as 16.</p> <p>MEASUREMENT:MEAS1:FUNDCURRENT? might return :MEASUREMENT:MEAS1:FUNDCURRENT 16.0000 indicating the fundamental current is 16.</p>

MEASUREMENT:MEAS<x>:GATING

This command sets or queries the gating type for the measurement. Measurements are specified by x.

Group	Measurement
Syntax	<p>MEASUREMENT:MEAS<x>:GATING {NONE SCREEN CURSOR LOGIC SEARCH TIME} MEASUREMENT:MEAS<x>:GATING?</p>
Related Commands	<p>MEASUREMENT:MEAS<x>:GATING:ENDTIME</p> <p>MEASUREMENT:MEAS<x>:GATING:STARTTIME</p>
Arguments	<p>MEAS<x> is the measurement number for which to return a value.</p> <p>NONE specifies measurements are taken across the entire record.</p> <p>SCREEN turns on gating, using the left and right edges of the screen.</p> <p>CURSOR limits measurements to the portion of the waveform between the vertical bar cursors, even if they are off screen.</p> <p>LOGIC specifies that measurements are taken only when the logical state of other waveforms is true.</p> <p>SEARCH specifies that measurements are taken only where the results of a user specified search are found.</p> <p>TIME limits measurements to the portion of the waveform between the Start and End gate times.</p>

Examples `MEASUREMENT:MEAS1:GATING CURSOR` limits measurements to the portion of the waveform between the vertical bar cursor.

`MEASUREMENT:MEAS1:GATING?` might return `:MEASUREMENT:MEAS1:GATING NONE` indicating measurements are taken across the entire record.

MEASUREMENT:MEAS<x>:GATING:ACTIVE

This command sets or queries the gating active level when the gating type is logic. Measurements are specified by x.

Group Measurement

Syntax `MEASUREMENT:MEAS<x>:GATING:ACTIVE {HIGH|LOW}`
`MEASUREMENT:MEAS<x>:GATING:ACTIVE?`

Arguments `MEAS<x>` specifies the measurement number.

`HIGH` takes a measurement when logic gating is High.

`LOW` takes a measurement when logic gating Low.

Examples `MEASUREMENT:MEAS1:GATING:ACTIVE LOW` specifies taking measurements when logic gating is Low.

`MEASUREMENT:MEAS1:GATING:ACTIVE?` might return `:MEASUREMENT:MEAS1:GATING:ACTIVE HIGH` indicating measurements are taken when logic gating is High.

MEASUREMENT:MEAS<x>:GATING:ENDtime

Sets or queries the end gate time for the measurement when using Local gating.

Group Measurement

Syntax `MEASUREMENT:MEAS<x>:GATING:ENDtime <NR3>`
`MEASUREMENT:MEAS<x>:GATING:ENDtime?`

Related Commands [MEASUREMENT:MEAS<x>:GATING](#)

Arguments	MEAS<x> specifies the measurement number. <NR3> is the time gating end gate time in seconds. The valid range is -10000 s to 10000 s.
Examples	MEASUREMENT:MEAS4:GATING:ENDTIME 5.31e-2 sets the local end gate time for Meas 4 to 53.1 ms. MEASUREMENT:MEAS6:GATING:ENDTIME? might return 1.05, indicating that the local end gate time for Meas 6 is 1.05 s.

MEASUREMENT:MEAS<x>:GATING:GLOBAL

This command sets or queries the gating settings global flag. Measurements are specified by x.

Group	Measurement
Syntax	MEASUREMENT:MEAS<x>:GATING:GLOBAL {OFF ON 0 1} MEASUREMENT:MEAS<x>:GATING:GLOBAL?
Arguments	MEAS<x> specifies the measurement number. OFF specifies gate settings can be changed independently for each individual measurement. ON applies global gate settings to all the measurements' gate settings. 0 specifies gate settings can be changed independently for each individual measurement. 1 applies global gate settings to all the measurements' gate settings.
Examples	MEASUREMENT:MEAS1:GATING:GLOBAL OFF specifies gate settings can be changed independently for each individual measurement. MEASUREMENT:MEAS1:GATING:GLOBAL? might return :MEASUREMENT:MEAS1:GATING:GLOBAL 1 indicating that gating settings apply to all measurements.

MEASUREMENT:MEAS<x>:GATING:HYS TERESIS

This command sets or queries the gating hysteresis value when the gating type is logic. Measurements are specified by x.

Group	Measurement
Syntax	MEASUREMENT:MEAS<x>:GATING:HYSTERESIS <NR3> MEASUREMENT:MEAS<x>:GATING:HYSTERESIS?
Arguments	MEAS<x> specifies the measurement number. <NR3> is the gating hysteresis.
Examples	MEASUREMENT:MEAS1:GATING:HYSTERESIS 25.0E-3 sets the hysteresis to 25 mV. MEASUREMENT:MEAS1:GATING:HYSTERESIS? might return :MEASUREMENT:MEAS1:GATING:HYSTERESIS 30.0000E-3 indicating the hysteresis is set to 30.0 mV.

MEASUREMENT:MEAS<x>:GATING:LOGICSOURCE

This command sets or queries the gating data source when the gating type is logic. The measurement number is specified by x.

Group	Measurement
Syntax	MEASUREMENT:MEAS<x>:GATING:LOGICSOURCE {CH<x> MATH<x> REF<x>}
Arguments	MEAS<x> specifies the measurement number. CH<x> specifies an analog channel as source. MATH<x> specifies a math channel as source. REF<x> specifies a reference waveform as the source.
Examples	MEASUREMENT:MEAS1:GATING:LOGICSOURCE CH3 sets the gating logic source to channel 3. MEASUREMENT:MEAS1:GATING:LOGICSOURCE? might return :MEASUREMENT:MEAS1:GATING:LOGICSOURCE CH2 indicating the gating logic source is channel 2.

MEASUREMENT:MEAS<x>:GATING:MIDREF

This command sets or queries the gating mid ref value when the gating type is logic. Measurements are specified by x.

Group Measurement

Syntax MEASUREMENT:MEAS<x>:GATING:MIDREF <NR3>
MEASUREMENT:MEAS<x>:GATING:MIDREF?

Arguments MEAS<x> specifies the measurement number.
<NR3> is the mid ref value for gating.

Examples MEASUREMENT:MEAS1:GATING:MIDREF 1.0E+0 sets the gating midref to 1.0.
MEASUREMENT:MEAS1:GATING:MIDREF? might return
:MEASUREMENT:MEAS1:GATING:MIDREF 0.0E+0 indicating the
midref value is set to 0.0.

MEASUREMENT:MEAS<x>:GATING:SEARCHSOURCE

This command sets or queries the gating search source when the gating type is search. The measurement number is specified by x.

Group Measurement

Syntax MEASUREMENT:MEAS<x>:GATING:SEARCHSOURCE SEARCH1

Arguments MEAS<x> specifies the measurement number.
SEARCH1 is the gating source for search gating.

Examples MEASUREMENT:MEAS1:GATING:SEARCHSOURCE SEARCH1 sets the gating
search source to SEARCH1.
MEASUREMENT:MEAS1:GATING:SEARCHSOURCE? might return
:MEASUREMENT:MEAS1:GATING:SEARCHSOURCE SEARCH1 indicating the
gating search source is SEARCH1.

MEASUREMENT:MEAS<x>:GATING:STARTtime

Sets or queries the start gate time for the measurement when using Local gating.

Group Measurement

Syntax MEASUREMENT:MEAS<x>:GATING:STARTtime <NR3>
MEASUREMENT:MEAS<x>:GATING:STARTtime?

Related Commands [MEASUREMENT:MEAS<x>:GATING](#)

Arguments MEAS<x> specifies the measurement number.

<NR3> is the time gating start gate time in seconds. The valid range is -10000 s to 10000 s.

Examples MEASUREMENT:MEAS1:GATING:STARTtime -1.5e-3 sets the local start gate time for Meas 1 to -1.5 ms.

MEASUREMENT:MEAS1:GATING:STARTtime? might return 3.0e-9, indicating that the local start gate time for Meas 1 is 3 ns.

MEASUREMENT:MEAS<x>:GLOBALref

This command sets or queries the reference levels global flag for the measurement. Measurements are specified by x.

Group Measurement

Syntax MEASUREMENT:MEAS<x>:GLOBALref {OFF|ON|0|1}
MEASUREMENT:MEAS<x>:GLOBALref?

Arguments MEAS<x> specifies the measurement number.

OFF allows ref levels to be set separately for each measurement.

ON applies the same ref levels to all measurements.

0 allows ref levels to be set separately for each measurement.

1 applies the same ref levels to all measurements.

Examples `MEASUREMENT:MEAS1:GLOBALREF 0` allows ref levels to be set separately for each measurement.

`MEASUREMENT:MEAS1:GLOBALREF?` might return
`:MEASUREMENT:MEAS1:GLOBALREF 1` indicating the same ref levels apply to all measurements.

MEASUREMENT:MEAS<x>:HARMONICSClass

This command sets or queries the class type for the harmonics measurement. Measurements are specified by x.

Group Measurement, IMDA

Syntax `MEASUREMENT:MEAS<x>:HARMONICSClass`
 `{CLASSA|CLASSB|CLASSC|CLASSD}`
`MEASUREMENT:MEAS<x>:HARMONICSClass?`

Arguments `MEAS<x>` specifies the measurement number.

`CLASSA` specifies the class type to A.

`CLASSB` specifies the class type to B.

`CLASSC` specifies the class type to C.

`CLASSD` specifies the class type to D.

Examples `MEASUREMENT:MEAS1:HARMONICSClass CLASSC` sets the class type for measurement 1 as class C.

`MEASUREMENT:MEAS1:HARMONICSClass?` might return
`:MEASUREMENT:MEAS1:HARMONICSClass A`, indicating the class type is set to class A.

MEASUREMENT:MEAS<x>:HARMONICSSOURCE

This command sets or queries harmonics source. Measurements are specified by x.

Group Measurement, IMDA

Syntax `MEASUREMENT:MEAS<x>:HARMONICSSOURCE` `{CURRENT|VOLTAGE}`
`MEASUREMENT:MEAS<x>:HARMONICSSOURCE?`

Arguments	<p>MEAS<x> specifies the measurement number.</p> <p>CURRENT specifies current as the harmonics source.</p> <p>VOLTAGE specifies voltage as the harmonics source.</p>
Examples	<p>MEASUREMENT:MEAS1:HARMONICSSOURCE CURRENT sets the harmonics source for measurement 1 as current.</p> <p>MEASUREMENT:MEAS1:HARMONICSSOURCE? might return :MEASUREMENT:MEAS1:HARMONICSSOURCE VOLTAGE, indicating the harmonics source as voltage.</p>

MEASUREMENT:MEAS<x>:HARMONICSStd

This command sets or queries harmonics standard. Measurements are specified by x.

Group	Measurement, IMDA
Syntax	<p>MEASUREMENT:MEAS<x>:HARMONICSStd {NONE IEC IEEE519 CUSTOM REVIEEE5192022}</p> <p>MEASUREMENT:MEAS<x>:HARMONICSStd?</p>
Arguments	<p>MEAS<x> specifies the measurement number.</p> <p>NONE specifies none as the harmonics test standard.</p> <p>IEC specifies IEC as the harmonics test standard.</p> <p>IEEE519 specifies IEEE519 as the harmonics test standard.</p> <p>REVIEEE5192022 specifies REVIEEE5192022 as the harmonics test standard.</p> <p>CUSTOM specifies that there is a custom harmonics test standard.</p>
Examples	<p>MEASUREMENT:MEAS1:HARMONICSStd IEC sets the harmonics test standard for measurement 1 as IEC.</p> <p>MEASUREMENT:MEAS1:HARMONICSStd? might return :MEASUREMENT:MEAS1:HARMONICSStd NONE, indicating no harmonics test standard has been set.</p>

MEASUREMENT:MEAS<x>:HARMONICSUNits

This command sets or queries harmonics units. Measurements are specified by x.

Group	Measurement, IMDA
Syntax	MEASUREMENT:MEAS<x>:HARMONICSUNITS {LOGARITHM LINEAR} MEASUREMENT:MEAS<x>:HARMONICSUNITS?
Arguments	MEAS<x> specifies the measurement number. LOGARITHM specifies logarithmic as the harmonics units. LINEAR specifies linear as the harmonics units.
Examples	MEASUREMENT:MEAS1:HARMONICSUNITS LINEAR sets the harmonics units standard for measurement 1 as linear. MEASUREMENT:MEAS1:HARMONICSUNITS? might return :MEASUREMENT:MEAS1:HARMONICSUNITS LINEAR, indicating the harmonics units are linear.

MEASUREMENT:MEAS<x>:HIGHLEVEL:CONFIGURATION

This command sets or queries the local input and output configuration.

Group	Measurement, IMDA
Syntax	MEASUREMENT:MEAS<x>:HIGHLEVEL:CONFIGURATION {INPUT OUTPUT} MEASUREMENT:MEAS<x>:HIGHLEVEL:CONFIGURATION?
Arguments	MEAS<x> specifies the measurement number. INPUT specifies the local Input or Output source settings as input. OUTPUT specifies the local Input or Output source settings as output.
Examples	MEASUREMENT:MEAS1:HIGHLEVEL:CONFIGURATION INPUT sets the local Input or Output source settings for measurement 1 as input. MEASUREMENT:MEAS1:HIGHLEVEL:CONFIGURATION? might return :MEASUREMENT:MEAS1:HIGHLEVEL:CONFIGURATION INPUT, indicating the local Input or Output source settings for measurement 1 is input.

MEASUREMENT:MEAS<x>:HIGHLEVEL:L2LTOL2N

This command sets or queries local input Line-to-Line to Line-to-Neutral Conversion.

Group	Measurement, IMDA
Syntax	MEASUREMENT:MEAS<x>:HIGHLEVEL:L2LTOL2N {0 1} MEASUREMENT:MEAS<x>:HIGHLEVEL:L2LTOL2N?
Examples	MEASUREMENT:MEAS1:HIGHLEVEL:L2LTOL2N 1 enables local input Line-to-Line to Line-to-Neutral Conversion. MEASUREMENT:MEAS1:HIGHLEVEL:L2LTOL2N? might return :MEASUREMENT:HIGHLEVEL:L2LTOL2N 0, indicating local input Line-to-Line to Line-to-Neutral Conversion is disabled.

MEASUREMENT:MEAS<x>:HIGHLEVEL:LINESELECTED

This command sets or queries local input select lines.

Group	Measurement, IMDA
Syntax	MEASUREMENT:MEAS<x>:HIGHLEVEL:LINESELECTED {ACBC ACBC BACA AN BN CN} MEASUREMENT:MEAS<x>:HIGHLEVEL:LINESELECTED ?
Arguments	ACBC specifies the local input select lines as ACBC. ACBC specifies the local input select lines as ACBC. BACA specifies the local input select lines as BACA. AN specifies the local input select lines as AN. BN specifies the local input select lines as BN. CN specifies the local input select lines as CN.
Examples	MEASUREMENT:MEAS1:HIGHLEVEL:LINESELECTED ACBC sets the local input select lines as ACBC. MEASUREMENT:MEAS1:HIGHLEVEL:LINESELECTED? might return :MEASUREMENT:MEAS1:HIGHLEVEL:LINESELECTED ACBC, indicating the local input select lines is ACBC.

MEASUREMENT:MEAS<x>:HIGHLEVEL:OUTL2LTOL2N

This command sets or queries local output Line-to-Line to Line-to-Neutral Conversion .

Group	Measurement, IMDA
Syntax	MEASUREMENT:MEAS<x>:HIGHLEVEL:OUTL2LTOL2N {0 1} MEASUREMENT:MEAS<x>:HIGHLEVEL:OUTL2LTOL2N?
Examples	MEASUREMENT:MEAS?:HIGHLEVEL:OUTL2LTOL2N 1 enables local output Line-to-Line to Line-to-Neutral Conversion. MEASUREMENT:MEAS?:HIGHLEVEL:OUTL2LTOL2N? might return :MEASUREMENT:MEAS?:HIGHLEVEL:OUTL2LTOL2N 0, indicating local output Line-to-Line to Line-to-Neutral Conversion is disabled.

MEASUREMENT:MEAS<x>:HIGHLEVEL:OUTLINESELECTED

This command sets or queries local output select lines.

Group	Measurement, IMDA
Syntax	MEASUREMENT:MEAS<x>:HIGHLEVEL:OUTLINESELECTED {XYZY XZYX YXZX XN YN ZN} MEASUREMENT:MEAS<x>:HIGHLEVEL:OUTLINESELECTED?
Arguments	XYZY specifies the local output select lines as XYZY. XZYX specifies the local output select lines as XZYX. YXZX specifies the local output select lines as YXZX. XN specifies the local output select lines as XN. YN specifies the local output select lines as YN. ZN specifies the local output select lines as ZN.
Examples	MEASUREMENT:MEAS1:HIGHLEVEL:OUTLINESELECTED XYZY sets the local output select lines as XYZY. MEASUREMENT:MEAS1:HIGHLEVEL:OUTLINESELECTED? might return :MEASUREMENT:MEAS1:HIGHLEVEL:OUTLINESELECTED XYZY, indicating the local output select lines is XYZY.

MEASUREMENT:MEAS<x>:HIGHLEVEL:OUTWIRING

This command sets or queries the local output wiring.

Group	Measurement, IMDA
Syntax	MEASUREMENT:MEAS<x>:HIGHLEVEL:OUTWIRING {P1W2V1I1 P1W3V2I2 P3W3V3I3 P3W4 DCP1W2} MEASUREMENT:MEAS<x>:HIGHLEVEL:OUTWIRING?
Arguments	MEAS<x> specifies the measurement number. P1W2V1I1 specifies P1W2V1I1 as the local output wiring. P3W3V2I2 specifies P3W3V2I2 as the local output wiring. P3W3V3I3 specifies P3W3V3I3 as the local output wiring. P3W4 specifies P3W4 as the local output wiring. DCP1W2 specifies DCP1W2 as the local output wiring.
Examples	MEASUREMENT:MEAS1:HIGHLEVEL:OUTWIRING P1W2V1I1 sets the local output wiring for measurement 1 as P1W2V1I1. MEASUREMENT:MEAS1:HIGHLEVEL:OUTWIRING? might return :MEASUREMENT:MEAS1:HIGHLEVEL:OUTWIRING P1W2V1I1, indicating the local output wiring is configured as P1W2V1I1.

MEASUREMENT:MEAS<x>:HIGHLEVEL:USEGLOBAL

This command sets or queries the IMDA source settings as global or local.

Group	Measurement, IMDA
Syntax	MEASUREMENT:MEAS<x>:HIGHLEVEL:USEGLOBAL {1 0 ON OFF} MEASUREMENT:MEAS<x>:HIGHLEVEL:USEGLOBAL?
Arguments	MEAS<x> specifies the measurement number. 1 specifies the source settings as global. 0 specifies the source settings as local. ON specifies the source settings as global.

OFF specifies the source settings as local.

Examples `MEASUREMENT:MEAS1:HIGLEVEL:USEGLOBAL 1` sets the IMDA source settings for measurement 1 as global.

`MEASUREMENT:MEAS1:HIGLEVEL:USEGLOBAL?` might return `:MEASUREMENT:MEAS1:HIGLEVEL:USEGLOBAL 1`, indicating the IMDA source settings are global.

MEASUREMENT:MEAS<x>:HIGHLEVEL:WIRING

This command sets or queries the local Input wiring.

Group Measurement, IMDA

Syntax `MEASUREMENT:MEAS<x>:HIGHLEVEL:WIRING`
 `{P1W2V1I1|P1W3V2I2|P3W3V2I2|P3W3V3I3|P3W3|DCP1W2}`
 `MEASUREMENT:MEAS<x>:HIGHLEVEL:WIRING?`

Arguments `MEAS<x>` specifies the measurement number.

`P1W2V1I1` specifies P1W2V1I1 as the local input wiring.

`P1W3V2I2` specifies P1W3V2I2 as the local input wiring.

`P3W3V2I2` specifies P3W3V2I2 as the local input wiring.

`P3W3V3I3` specifies P3W3V3I3 as the local input wiring.

`P3W3` specifies P3W3 as the local input wiring.

`DCP1W2` specifies DCP1W2 as the local input wiring.

Examples `MEASUREMENT:MEAS1:HIGLEVEL:WIRING P1W2V1I1` sets the local input wiring for measurement 1 as P1W2V1I1.

`MEASUREMENT:MEAS1:HIGLEVEL:WIRING?` might return `:MEASUREMENT:MEAS1:HIGLEVEL:WIRING P1W2V1I1`, indicating the local input wiring is configured as P1W2V1I1.

MEASUREMENT:MEAS<x>:HIGHREFVOLTAGE

This command sets or queries the high reference voltage value for the 'time outside level' measurement. Measurements are specified by x.

Group	Measurement
Syntax	MEASUREMENT:MEAS<x>:HIGHREFVOLTAGE <NR3> MEASUREMENT:MEAS<x>:HIGHREFVOLTAGE?
Arguments	MEAS<x> specifies the measurement number. <NR3> is the high reference voltage value for the selected configuration.
Examples	MEASUREMENT:MEAS1:HIGHREFVOLTAGE 1.5 sets the high reference voltage to 1.5 V. MEASUREMENT:MEAS1:HIGHREFVOLTAGE? might return :MEASUREMENT:MEAS1:HIGHREFVOLTAGE 1.0000 indicating the high reference voltage is set to 1.0 V.

MEASUREMENT:MEAS<x>:HLEVEL:OUTPUT:UGLOBAL

This command turns on or off output global settings for measurement. Measurements are specified by x.

Conditions	Requires IMDA-MECH license on MSO 5, 6, 6B series instruments.
Group	Measurement, IMDA
Syntax	MEASUREMENT:MEAS<x>:HLEVEL:OUTPUT:UGLOBAL {ON OFF} MEASUREMENT:MEAS<x>:HLEVEL:OUTPUT:UGLOBAL?
Arguments	ON sets the output global settings for measurement to on. OFF sets the output global settings for measurement to off.
Examples	MEASUREMENT:MEAS1:HLEVEL:OUTPUT:UGLOBAL ON sets the output global settings for measurement to on. MEASUREMENT:MEAS1:HLEVEL:OUTPUT:UGLOBAL? might return :MEASUREMENT:MEAS1:HLEVEL:OUTPUT:UGLOBAL OFF indicating the output global settings for measurement is off.

MEASUREMENT:MEAS<x>:HTORQUE

This command sets or queries the measurement High Torque value.

Conditions	Requires IMDA-MECH license on MSO 5, 6, 6B series instruments.
Group	IMDA
Syntax	MEASUREMENT:MEAS<x>:HTORQUE <NR1> MEASUREMENT:MEAS<x>:HTORQUE?
Arguments	MEAS<x> specifies the measurement number. <NR1> specifies the High Torque value of the measurement in the range of 11 to 10000000.
Examples	MEASUREMENT:MEAS1:HTORQUE 15.2 sets the High Torque value for measurement 1 to 15.2. MEASUREMENT:MEAS1:HTORQUE? might return :MEASUREMENT:MEAS1:HTORQUE 15.2, indicating the High Torque value for measurement 1 is 15.2.

MEASUREMENT:MEAS<x>:HVOLTAGE

This command sets or queries the measurement Torque High Voltage value.

Conditions	Requires IMDA-MECH license on MSO 5, 6, 6B series instruments.
Group	IMDA
Syntax	MEASUREMENT:MEAS<x>:HVOLTAGE <NR1> MEASUREMENT:MEAS<x>:HVOLTAGE?
Arguments	MEAS<x> specifies the measurement number. <NR1> specifies the High Voltage value of the measurement in the range of 1 to 100.
Examples	MEASUREMENT:MEAS1:HVOLTAGE 15.2 sets the High Voltage value for measurement 1 to 15.2.

MEASUREMENT:MEAS1:HVLtAge? might return
 :MEASUREMENT:MEAS1:HVLtAge 15.2, indicating the High Voltage value
 for measurement 1 is 15.2.

MEASUREMENT:MEAS<x>:IDLETime

This command sets or queries the idle time for the measurement when the measurement type is burst width. Measurements are specified by x.

Group	Measurement
Syntax	MEASUREMENT:MEAS<x>:IDLETime <NR3> MEASUREMENT:MEAS<x>:IDLETime?
Arguments	MEAS<x> specifies the measurement number. <NR3> is the idle time.
Examples	MEASUREMENT:MEAS1:IDLETime 40.0E-6 sets the idle time to 40.0 μ s. MEASUREMENT:MEAS1:IDLETime? might return :MEASUREMENT:MEAS1:IDLETIME 50.0000E-6 indicating the idle time is 50.0 μ s.

MEASUREMENT:MEAS<x>:INPUTLeVe1

Sets or queries the input trigger voltage level.

Conditions	Requires option 5-DPM (5 Series MSO instruments) or 6-DPM (6 Series MSO instrument)
Group	DPM
Syntax	MEASUREMENT:MEAS<x>:INPUTLeVe1 <NR2> MEASUREMENT:MEAS<x>:INPUTLeVe1?
Arguments	MEAS<x> is the measurement number. <NR2> is the trigger voltage, in the range of -500 V to +500 V.

- Examples** `MEASUREMENT:MEAS1:INPUTLEVEL 60` sets the input trigger level of measurement 1 to +60 volts.
- `MEASUREMENT:MEAS3:INPUTLEVEL?` might return `1.2500`, indicating that the input trigger level of measurement 3 is +1.25 volts.

MEASUREMENT:MEAS<x>:INPUTPOWER

This command sets or queries the input power value for IEC-Class C and Class D harmonics standard .

- Group** Measurement, IMDA
- Syntax** `MEASUREMENT:MEAS<x>:INPUTPOWER <NR3>`
`MEASUREMENT:MEAS<x>:INPUTPOWER?`
- Arguments** `MEAS<x>` is the measurement number.

`<NR3>` specifies the input power value for class C harmonics standard.
- Examples** `MEASUREMENT:MEAS1:INPUTPOWER 100W` sets the input power value for class C harmonics standard to 100W.
- `MEASUREMENT:MEAS1:INPUTPOWER?` might return
`:MEASUREMENT:MEAS1:INPUTPOWER 100W`, indicating that the input power value for class C harmonics standard is 100W.

MEASUREMENT:MEAS<x>:JITTERSUMMARY:DCD

This command sets or queries whether DCD is included in the jitter summary for the measurement. Measurements are specified by x.

- Group** Measurement
- Syntax** `MEASUREMENT:MEAS<x>:JITTERSUMMARY:DCD {0|1}`
`MEASUREMENT:MEAS<x>:JITTERSUMMARY:DCD?`
- Arguments** `MEAS<x>` specifies the measurement number.

`1` adds the DCD measurement as part of jitter summary.

`0` do not add the DCD measurement as part of jitter summary.

Examples `MEASUREMENT:MEAS1:JITTERSummary:DCD 0` specifies that the DCD measurement is not part of the jitter summary.

`MEASUREMENT:MEAS1:JITTERSummary:DCD?` might return
`:MEASUREMENT:MEAS4:JITTERSUMMARY:DCD 1` indicating the DCD measurement is part of the jitter summary.

MEASUREMENT:MEAS<x>:JITTERSummary:DDJ

This command sets or queries whether DDJ is included in the jitter summary for the measurement. Measurements are specified by x.

Group Measurement

Syntax `MEASUREMENT:MEAS<x>:JITTERSummary:DDJ {0|1}`
`MEASUREMENT:MEAS<x>:JITTERSummary:DDJ?`

Arguments `MEAS<x>` specifies the measurement number.

1 adds the DDJ measurement as part of jitter summary.

0 do not add the DDJ measurement as part of jitter summary.

Examples `MEASUREMENT:MEAS4:JITTERSummary:DDJ 0` specifies that the DDJ measurement is not part of the jitter summary.

`MEASUREMENT:MEAS4:JITTERSummary:DDJ?` might return
`:MEASUREMENT:MEAS4:JITTERSUMMARY:DDJ 1` indicating the DDJ measurement is part of the jitter summary.

MEASUREMENT:MEAS<x>:JITTERSummary:DJDD

This command sets or queries whether DJ-dd is included in the jitter summary for the measurement. Measurements are specified by x.

Group Measurement

Syntax `MEASUREMENT:MEAS<x>:JITTERSummary:DJDD {0|1}`
`MEASUREMENT:MEAS<x>:JITTERSummary:DJDD?`

Arguments `MEAS<x>` specifies the measurement number.

1 add the DJDD measurement as part of jitter summary.

0 do not add the DJDD measurement as part of jitter summary.

Examples `MEASUREMENT:MEAS4:JITTERSummary:DJDD 0` specifies the DJDD measurement is not part of the jitter summary.

`MEASUREMENT:MEAS4:JITTERSummary:DJDD?` might return `:MEASUREMENT:MEAS4:JITTERSUMMARY:DJDD 1` indicating the DJDD measurement is part of the jitter summary.

MEASUREMENT:MEAS<x>:JITTERSummary:EYEWIDTHBER

This command sets or queries whether EyeWidth@BER is included in the jitter summary for the measurement. Measurements are specified by x.

Group Measurement

Syntax `MEASUREMENT:MEAS<x>:JITTERSummary:EYEWIDTHBER {0|1}`
`MEASUREMENT:MEAS<x>:JITTERSummary:EYEWIDTHBER?`

Arguments `MEAS<x>` specifies the measurement number.

1 add the EyeWidth@BER measurement as part of jitter summary.

0 do not add the EyeWidth@BER measurement as part of jitter summary.

Examples `MEASUREMENT:MEAS4:JITTERSummary:EYEWIDTHBER 0` specifies that the EyeWidth@BER measurement is not part of the jitter summary.

`MEASUREMENT:MEAS4:JITTERSummary:EYEWIDTHBER?` might return `:MEASUREMENT:MEAS4:JITTERSUMMARY:EYEWIDTHBER 1` indicating EyeWidth@BER is part of the jitter summary

MEASUREMENT:MEAS<x>:JITTERSummary:NPJ

This command sets or queries whether NPJ is included in the jitter summary for the measurement. Measurements are specified by x.

Group Measurement

Syntax `MEASUREMENT:MEAS<x>:JITTERSummary:NPJ {0|1}`
`MEASUREMENT:MEAS<x>:JITTERSummary:NPJ?`

- Arguments** MEAS<x> specifies the measurement number.
- 1 add the NPJ measurement as part of jitter summary.
- 0 do not add the NPJ measurement as part of jitter summary.
- Examples** MEASUREMENT:MEAS4:JITTERSummary:NPJ 0 specifies that the NPJ measurement is not part of jitter summary.
- MEASUREMENT:MEAS4:JITTERSummary:NPJ? might return
:MEASUREMENT:MEAS4:JITTERSUMMARY:NPJ 1 indicating the NPJ measurement is part of the jitter summary.

MEASUREMENT:MEAS<x>:JITTERSummary:PJ

This command sets or queries whether PJ is included in the jitter summary for the measurement. Measurements are specified by x.

- Group** Measurement
- Syntax** MEASUREMENT:MEAS<x>:JITTERSummary:PJ {0|1}
MEASUREMENT:MEAS<x>:JITTERSummary:PJ?
- Arguments** MEAS<x> specifies the measurement number.
- 1 add the PJ measurement as part of jitter summary.
- 0 do not add the PJ measurement as part of jitter summary.
- Examples** MEASUREMENT:MEAS4:JITTERSummary:PJ 0 specifies the PJ measurement is not part of jitter summary.
- MEASUREMENT:MEAS4:JITTERSummary:PJ? might return
:MEASUREMENT:MEAS4:JITTERSUMMARY:PJ 1 indicating the PJ measurement is part of jitter summary.

MEASUREMENT:MEAS<x>:JITTERSummary:RJDD

This command sets or queries whether RJ-dd is included in the jitter summary for the measurement. Measurements are specified by x.

- Group** Measurement

Syntax MEASUREMENT:MEAS<x>:JITTERSummary:RJDD {0|1}
MEASUREMENT:MEAS<x>:JITTERSummary:RJDD?

Arguments MEAS<x> specifies the measurement number.
1 add the RJ-dd measurement as part of jitter summary.
0 do not add the RJ-dd measurement as part of jitter summary.

Examples MEASUREMENT:MEAS4:JITTERSummary:RJDD 0 specifies the RJ-dd measurement is not part of the jitter summary.
MEASUREMENT:MEAS4:JITTERSummary:RJDD? might return
:MEASUREMENT:MEAS4:JITTERSUMMARY:RJDD 1 indicating the RJ-dd measurement is part of the jitter summary.

MEASUREMENT:MEAS<x>:JITTERSummary:TIE

This command sets or queries whether TIE is included in the jitter summary for the measurement. Measurements are specified by x.

Group Measurement

Syntax MEASUREMENT:MEAS<x>:JITTERSummary:TIE {0|1}
MEASUREMENT:MEAS<x>:JITTERSummary:TIE?

Arguments MEAS<x> specifies the measurement number.
1 add the TIE measurement as part of jitter summary.
0 do not add the TIE measurement as part of jitter summary.

Examples MEASUREMENT:MEAS4:JITTERSummary:TIE 0 specifies the TIE measurement is not part of jitter summary.
MEASUREMENT:MEAS4:JITTERSummary:TIE? might return
:MEASUREMENT:MEAS4:JITTERSUMMARY:TIE 1 indicating the TIE measurement is part of jitter summary.

MEASUREMENT:MEAS<x>:JITTERSummary:TJBER

This command sets or queries whether TJ@BER is included in the jitter summary for the measurement. Measurements are specified by x.

Group	Measurement
Syntax	MEASUREMENT:MEAS<x>:JITTERSummary:TJBER {0 1} MEASUREMENT:MEAS<x>:JITTERSummary:TJBER?
Arguments	MEAS<x> specifies the measurement number. 1 add the TJ@BER measurement as part of jitter summary. 0 do not add the TJ@BER measurement as part of jitter summary.
Examples	MEASUREMENT:MEAS4:JITTERSummary:TJBER 0 specifies that the TJ@BER measurement is not part of jitter summary. MEASUREMENT:MEAS4:JITTERSummary:TJBER? might return :MEASUREMENT:MEAS4:JITTERSUMMARY:TJBER 1 indicating the TJ@BER measurement is part of jitter summary.

MEASUREMENT:MEAS<x>:LABEL

This command sets or queries the label for the measurement. As the label can contain non 7-bit ASCII text, it is stored in Percent Encoding format. The measurement number is specified by x.

Group	Measurement
Syntax	MEASUREMENT:MEAS<x>:LABEL <QString>
Arguments	MEAS<x> specifies the measurement number. <QString> is the measurement label.
Examples	MEASUREMENT:MEAS1:LABEL "Delay" sets the label to Delay. MEASUREMENT:MEAS1:LABEL? might return :MEASUREMENT:MEAS1:LABEL "Peak-to-Peak" indicating that the measurement 1 label is Peak-to-peak.

MEASUREMENT:MEAS<x>:LINESelected

This command sets or queries selected lines for the measurement. The measurement number is specified by x.

Group	Measurement, IMDA
Syntax	MEASUREMENT:MEAS<x>:LINESELECTED {ABCB ACBC BACA XYZY XZYX YXZX}
Arguments	MEAS<x> specifies the measurement number. ABCB specifies the selected lines as ABCB. ACBC specifies the selected lines as ACBC. BACA specifies the selected lines as BACA. XYZY specifies the selected lines as XYZY. XZYX specifies the selected lines as XZYX. YXZX specifies the selected lines as YXZX.
Examples	MEASUREMENT:MEAS1:LINESELECTED ABCB sets the selected lines for measurement 1. MEASUREMENT:MEAS1:LINESELECTED? might return :MEASUREMENT:MEAS1:LINESELECTED ABCB, indicating that selected lines for measurement 1 are ABCB.

MEASUREMENT:MEAS<x>:LOWREFVOLTAGE

This command sets or queries the low reference voltage value for the 'time outside level' measurement. Measurements are specified by x.

Group	Measurement
Syntax	MEASUREMENT:MEAS<x>:LOWREFVOLTAGE <NR3> MEASUREMENT:MEAS<x>:LOWREFVOLTAGE?
Arguments	MEAS<x> specifies the measurement number. <NR3> is the low reference voltage value for the selected configuration.
Examples	MEASUREMENT:MEAS1:LOWREFVOLTAGE -1.30 sets the low reference voltage to -1.3 V.

MEASUREMENT:MEAS1:LOWREFVOLTAGE? might return
:MEASUREMENT:MEAS1:LOWREFVOLTAGE -1.0000 indicating the
low ref voltage is -1.0 V.

MEASUREMENT:MEAS<x>:LTORQUE

This command sets or queries the measurement Low Torque value.

Conditions	Requires IMDA-MECH license on MSO 5, 6, 6B series instruments.
Group	IMDA
Syntax	MEASUREMENT:MEAS<x>:LTORQUE <NR1> MEASUREMENT:MEAS<x>:LTORQUE?
Arguments	MEAS<x> specifies the measurement number. <NR1> specifies the Low Torque value of the measurement in the range of 0 to 10000000.
Examples	MEASUREMENT:MEAS1:LTORQUE 10.5 sets the Low Torque value for measurement 1 to 10.5. MEASUREMENT:MEAS1:LTORQUE? might return :MEASUREMENT:MEAS1:LTORQUE 10.5, indicating the Low Torque value for measurement 1 is 10.5.

MEASUREMENT:MEAS<x>:LTYPE

This command sets or returns the value for the level type as auto or custom. Measurements are specified by x.

Conditions	Requires a WBG-DPT license.
Group	Measurement, WBG
Syntax	MEASUREMENT:MEAS<x>:LTYPE {AUTO CUSTOM} MEASUREMENT:MEAS<x>:LTYPE?

Arguments AUTO specifies the value for the level type as auto.
CUSTOM specifies the value for the level type as custom.

Examples MEASUREMENT:MEAS1:LTYPE AUTO sets the value for the level type to auto.
MEASUREMENT:MEAS1:LTYPE? might return :MEASUREMENT:MEAS1:LTYPE
AUTO, indicating the value for the level type is auto.

MEASUREMENT:MEAS<x>:LUNITS

This command sets or returns the value for the level units as percentage or absolute. Measurements are specified by x.

Conditions Requires a WBG-DPT license.

Group Measurement, WBG

Syntax MEASUREMENT:MEAS<x>:LUNITS {PERCENT|ABSOLUTE}
MEASUREMENT:MEAS<x>:LUNITS?

Arguments PERCENT specifies the value for the level units as percent.
ABSOLUTE specifies the value for the level units as absolute.

Examples MEASUREMENT:MEAS1:LUNITS PERCENT sets the value for the level units as percent.
MEASUREMENT:MEAS1:LUNITS? might return :MEASUREMENT:MEAS1:LUNITS
PERCENT, indicating the value for the level units is percent.

MEASUREMENT:MEAS<x>:LVOLTAGE

This command sets or queries the measurement Torque Low Voltage value.

Conditions Requires IMDA-MECH license on MSO 5, 6, 6B series instruments.

Group IMDA

Syntax MEASUREMENT:MEAS<x>:LVOLTAGE <NR1>
MEASUREMENT:MEAS<x>:LVOLTAGE?

Arguments	MEAS<x> specifies the measurement number. <NR1> specifies the Low Voltage value of the measurement in the range of -100 to 100.
Examples	MEASUREMENT:MEAS1:LVOLTAGE 10.5 sets the Low Voltage value for measurement 1 to 10.5. MEASUREMENT:MEAS1:LVOLTAGE? might return :MEASUREMENT:MEAS1:LVOLTAGE 10.5, indicating the Low Voltage value for measurement 1 is 10.5.

MEASUREMENT:MEAS<x>:MAXCURRENT

This command sets or returns the maximum current. Measurements are specified by x.

Conditions	Requires a WBG-DPT license.
Group	Measurement, WBG
Syntax	MEASUREMENT:MEAS<x>:MAXCURRENT <NR3> MEASUREMENT:MEAS<x>:MAXCURRENT?
Arguments	<NR3> specifies the maximum current.
Examples	MEASUREMENT:MEAS1:MAXCURRENT 5.0000 sets the maximum current as 5.0000. MEASUREMENT:MEAS1:MAXCURRENT? might return :MEASUREMENT:MEAS1:MAXCURRENT 5.0000, indicating the maximum current is 5.0000.

MEASUREMENT:MEAS<x>:MAXCYCLE

This command sets or queries the maximum cycle value for the DDRTERRN and DDRTERRMN measurements.

Conditions	Requires option 6-DBDDR3 Requires 6 Series MSO instrument
-------------------	------------------------------------------------------------------

Group	Measurement
Syntax	MEASUREMENT:MEAS<x>:MAXCYCLE <NR1> MEASUREMENT:MEAS<x>:MAXCYCLE?
Arguments	MEAS<x> specifies the measurement number. <NR1> is the maximum cycle range limit value in the range of 2 to 50.
Examples	MEASUREMENT:MEAS2:MAXCYCLE 45 sets the maximum cycle value for measurement 2 to 45. MEASUREMENT:MEAS1:MAXCYCLE? might return MEASUREMENT:MEAS1:MAXCYCLE 17, indicating the maximum cycle value is set to 17 for measurement 1.

MEASUREMENT:MEAS<x>:MAXG<x>VOLTAGE

This command sets or returns the maximum gate voltage 1 or 2 value for Tdt measurement. Measurements are specified by x.

Conditions	Requires a WBG-DPT license.
Group	Measurement, WBG
Syntax	MEASUREMENT:MEAS<x>:MAXG<x>VOLTAGE <NR3> MEASUREMENT:MEAS<x>:MAXG<x>VOLTAGE?
Arguments	MAXG<x>VOLTAGE specifies the maximum gate voltage number. The valid values for x are 1 or 2. <NR3> specifies the maximum gate voltage.
Examples	MEASUREMENT:MEAS1:MAXG1VOLTAGE 10.0000 sets the maximum gate voltage 1 value as 10.0000. MEASUREMENT:MEAS1:MAXG1VOLTAGE? might return :MEASUREMENT:MEAS1:MAXG1VOLTAGE 10.0000, indicating the maximum gate voltage 1 value is 10.0000.

MEASUREMENT:MEAS<x>:MAXGVoltage

This command sets or returns the maximum gate voltage. Measurements are specified by x.

Conditions	Requires a WBG-DPT license.
Group	Measurement, WBG
Syntax	MEASUREMENT:MEAS<x>:MAXGVoltage <NR3> MEASUREMENT:MEAS<x>:MAXGVoltage?
Arguments	<NR3> specifies the maximum gate voltage.
Examples	MEASUREMENT:MEAS1:MAXGVoltage 10.0000 sets the maximum gate voltage as 10.0000. MEASUREMENT:MEAS1:MAXGVoltage? might return :MEASUREMENT:MEAS1:MAXGVoltage 10.0000, indicating the maximum gate voltage is 10.0000.

MEASUREMENT:MEAS<x>:MAXVoltage

Sets or queries the maximum input voltage. Measurements are specified by x.

Conditions	Requires option 5-DPM (5 Series MSO instruments) or 6-DPM (6 Series MSO instrument) or a WBG-DPT license.
Group	DPM, WBG
Syntax	MEASUREMENT:MEAS<x>:MAXVoltage <NR2> MEASUREMENT:MEAS<x>:MAXVoltage?
Arguments	<NR2> is the maximum input voltage, in the range of -61 V to +61 V.
Examples	MEASUREMENT:MEAS2:MAXVoltage 40 sets the maximum input voltage of measurement 2 to +40 volts. MEASUREMENT:MEAS4:MAXVoltage? might return 2.5000, indicating that the maximum input voltage of measurement 4 is +2.5 volts.

MEASUREMENT:MEAS<x>:MEASRange:GLOBAL

This command sets or queries the range settings global flag for the measurement. Measurements are specified by x.

Group	Measurement
Syntax	MEASUREMENT:MEAS<x>:MEASRange:GLOBAL {OFF ON 0 1} MEASUREMENT:MEAS<x>:MEASRange:GLOBAL?
Arguments	MEAS<x> specifies the measurement number. OFF specifies that range settings can be set independently for each individual measurement. ON applies global measurement range settings to all the measurements' range settings. 0 specifies that range settings can be set independently for each individual measurement. 1 applies global measurement range settings to all the measurements' range settings.
Examples	MEASUREMENT:MEAS1:MEASRange:GLOBAL 1 applies global measurement range settings to all the measurements' range settings. MEASUREMENT:MEAS1:MEASRange:GLOBAL? might return :MEASUREMENT:MEAS1:MEASRange:GLOBAL 0 indicating that range settings can be set independently for each individual measurement.

MEASUREMENT:MEAS<x>:MEASRange:MAX

This command sets or queries the range maximum value for the measurement. Measurements are specified by x.

Group	Measurement
Syntax	MEASUREMENT:MEAS<x>:MEASRange:MAX <NR3> MEASUREMENT:MEAS<x>:MEASRange:MAX?
Arguments	MEAS<x> specifies the measurement number. <NR3> is the maximum measurement range limit value.

Examples `MEASUREMENT:MEAS1:MEASRange:MAX 2.50` sets the maximum range to 2.5 V.
`MEASUREMENT:MEAS1:MEASRange:MAX?` might return
`:MEASUREMENT:MEAS1:MEASRANGE:MAX 1.0000` indicating the
maximum range is 1.0 V.

MEASUREMENT:MEAS<x>:MEASRange:MIN

This command sets or queries the range minimum value for the measurement. Measurements are specified by x.

Group Measurement

Syntax `MEASUREMENT:MEAS<x>:MEASRange:MIN <NR3>`
`MEASUREMENT:MEAS<x>:MEASRange:MIN?`

Arguments `MEAS<x>` specifies the measurement number.
`<NR3>` is the minimum measurement range limit value.

Examples `MEASUREMENT:MEAS1:MEASRange:MIN -1.0` sets the minimum measurement
range to -1.0 V.
`MEASUREMENT:MEAS1:MEASRange:MIN?` might return
`:MEASUREMENT:MEAS1:MEASRANGE:MIN 0.0E+0` indicating the
minimum range is 0.0 V.

MEASUREMENT:MEAS<x>:MEASRange:STATE

This command sets or queries the range state for the measurement. Measurements are specified by x.

Group Measurement

Syntax `MEASUREMENT:MEAS<x>:MEASRange:STATE {OFF|ON|0|1}`
`MEASUREMENT:MEAS<x>:MEASRange:STATE?`

Arguments `MEAS<x>` specifies the measurement number.
OFF turns off the measurement range limits.
ON turns on the measurement range limits.

0 turns off the measurement range limits.

1 turns on the measurement range limits.

Examples `MEASUREMENT:MEAS1:MEASRange:STATE 0` turns off the measurement range limits.

`MEASUREMENT:MEAS1:MEASRange:STATE?` might return
`:MEASUREMENT:MEAS1:MEASRange:STATE 1` indicating the measurement range limits are on.

MEASUREMENT:MEAS<x>:MECH:EINDEXz

This command sets or queries the specified mechanical Index Z source. Measurements are specified by x.

Conditions Requires IMDA-MECH license on MSO 5, 6, 6B series instruments.

Group IMDA

Syntax `MEASUREMENT:MEAS<x>:MECH:EINDEXz {ON|OFF|1|0}`
`MEASUREMENT:MEAS<x>:MECH:EINDEXz?`

Arguments `ON` specifies the Index Z check box state as enabled.
`OFF` specifies the Index Z check box state as disabled.
`1` specifies the Index Z check box state as enabled.
`0` specifies the Index Z check box state as disabled.

Examples `MEASUREMENT:MEAS1:MECH:EINDEXz ON` sets the Index Z check box state as enabled.

`MEASUREMENT:MEAS1:MECH:EINDEXz?` might return
`:MEASUREMENT:MEAS1:MECH:EINDEXz ON`, indicating the Index Z check box state is enabled.

MEASUREMENT:MEAS<x>:MECH:GRATIO

This command sets or queries the gear ratio for the specific measurement. Measurements are specified by x.

Conditions	IMDA-MECH license on 5 and 6 Series MSO instruments.
Group	Measurement, IMDA
Syntax	MEASUREMENT:MEAS<x>:MECH:GRATIO <NR3> MEASUREMENT:MEAS<x>:MECH:GRATIO?
Arguments	<NR3> defines the gear ratio value for specified measurement. The minimum to maximum range is 0.001-1000.
Examples	MEASUREMENT:MEAS1:MECH:GRATIO 1.000E-3 defines the gear ratio value for specified measurement as 1.000E-3. MEASUREMENT:MEAS1:MECH:GRATIO? might return :MEASUREMENT:MEAS1:MECH:GRATIO 1.000E-3 indicating the gear ratio value for specified measurement is 1.000E-3.

MEASUREMENT:MEAS<x>:MECH:MUNITS

This command sets or queries the specified mechanical measurement results units. Measurements are specified by x.

Conditions	Requires IMDA-MECH license on MSO 5, 6, 6B series instruments.
Group	IMDA
Syntax	MEASUREMENT:MEAS<x>:MECH:MUNITS {NM OZINCH FTLB INCHLB DEGREES RADIANS} MEASUREMENT:MEAS<x>:MECH:MUNITS?
Arguments	NM defines the results units of the measurement as NM. OZINCH defines the results units of the measurement as OZINCH. FTLB defines the results units of the measurement as FTLB. INCHLB defines the results units of the measurement as INCHLB. DEGREES defines the results units of the measurement as DEGREES. RADIANS defines the results units of the measurement as RADIANS.

- Examples** `MEASUREMENT:MEAS1:MECH:MUNITS DEGREES` defines the results units of the measurement as DEGREES.
- `MEASUREMENT:MEAS1:MECH:MUNITS?` might return
 `:MEASUREMENT:MEAS1:MECH:MUNITS DEGREES`, indicating the results units of the measurement is DEGREES.

MEASUREMENT:MEAS<x>:MECH:PPAIRS

This command sets or queries the number of pole pairs for the specific measurement. Measurements are specified by x.

- Conditions** IMDA-MECH license on 5 and 6 Series MSO instruments.
- Group** Measurement, IMDA
- Syntax** `MEASUREMENT:MEAS<x>:MECH:PPAIRS <NR1>`
 `MEASUREMENT:MEAS<x>:MECH:PPAIRS?`
- Arguments** <NR1> defines the number of pole pairs for the specified measurement. The minimum to maximum range is 1 to 20.
- Examples** `MEASUREMENT:MEAS1:MECH:PPAIRS 4` defines the number of pole pairs for the specified measurement as 4.
- `MEASUREMENT:MEAS1:MECH:PPAIRS?` might return
 `:MEASUREMENT:MEAS1:MECH:PPAIRS 4` indicating the number of pole pairs for the specified measurement is 4.

MEASUREMENT:MEAS<x>:MECH:PPROTATION

This command sets or queries the specified pulses per rotation of the measurement.

- Conditions** Requires IMDA license on MSO 5, 6, 6B series instrments, 3-Phase license on MSO 4 series.
- Group** IMDA
- Syntax** `MEASUREMENT:MEAS<x>:MECH:PPROTATION <NR1>`
 `MEASUREMENT:MEAS<x>:MECH:PPROTATION?`

- Arguments** MEAS<x> specifies the measurement number.
 <NR1> defines the pulses per rotation of the measurement in the range of 1 to 10000.
- Examples** MEASUREMENT:MEAS1:PPROTATION 25 defines the pulses per rotation for measurement 1 as 25.
 MEASUREMENT:MEAS1:PPROTATION? might return
 :MEASUREMENT:MEAS1:PPROTATION 25, indicating the pulses per rotation for measurement 1 is 25.

MEASUREMENT:MEAS<x>:MECH:SType

This command sets or queries the local measurement sensor type.

- Conditions** IMDA-MECH license on 5 and 6 Series MSO instruments.
- Group** Measurement, IMDA
- Syntax** MEASUREMENT:MEAS<x>:MECH:SType {HSENSOR|QEI|RESOLVER}
 MEASUREMENT:MEAS<x>:MECH:SType?
- Arguments** MEAS<x> specifies the measurement number.
 HSENSOR specifies the sensor type as HSENSOR.
 QEI specifies the sensor type as QEI.
 RESOLVER specifies the sensor type as RESOLVER.
- Examples** MEASUREMENT:MEAS1:MECH:SType HSENSOR specifies the sensor type as HSENSOR.
 MEASUREMENT:MEAS1:MECH:SType? might return
 :MEASUREMENT:MEAS1:MECH:SType HSENSOR, indicating the sensor type is HSENSOR.

MEASUREMENT:MEAS<x>:MINCycle

This command sets or queries the minimum cycle value for the DDRTERRN and DDRTERRMN measurements.

Conditions	Requires option 6-DBDDR3 Requires 6 Series MSO instrument
Group	Measurement
Syntax	MEASUREMENT:MEAS<x>:MINCYCLE <NR1> MEASUREMENT:MEAS<x>:MINCYCLE?
Arguments	MEAS<x> specifies the measurement number. <NR1> is the minimum cycle range limit value in the range of 2 to 50.
Examples	MEASUREMENT:MEAS2:MINCYCLE 20 sets the minimum cycle value for measurement 2 to 20. MEASUREMENT:MEAS1:MINCYCLE? might return MEASUREMENT:MEAS1:MINCYCLE 17, indicating the minimum cycle value is set to 17 for measurement 1.

MEASUREMENT:MEAS<x>:OBWMethod

This command sets or queries the RF measurement Occupied Bandwidth method type. Measurements are specified by x.

Group	Measurement
Syntax	MEASUREMENT:MEAS<x>:OBWMethod {percofPwr dBDown} MEASUREMENT:MEAS<x>:OBWMethod?
Arguments	percofPwr specifies the method type as percentage of power. This is the default value. dBDown specifies the method type as dB down.
Examples	MEASUREMENT:MEAS1:OBWMethod percofPwr specifies the method type to percentage of power. MEASUREMENT:MEAS1:OBWMethod? might return :MEASUREMENT:MEAS1:OBWMethod percofPwr, indicating the method type is percentage of power.

MEASUREMENT:MEAS<x>:ODDEVEN

This command sets or queries harmonics oddeven.

Group	Measurement, IMDA
Syntax	MEASUREMENT:MEAS<x>:ODDEVEN {ALL EVEN ODD} MEASUREMENT:MEAS<x>:ODDEVEN?
Arguments	MEAS<x> specifies the measurement number. ALL displays all the results. EVEN displays the even results. ODD displays the odd results.
Examples	MEASUREMENT:MEAS1:ODDEVEN ALL displays all the harmonics results for measurement 1. MEASUREMENT:MEAS1:ODDEVEN? might return :MEASUREMENT:MEAS1:ODDEVEN EVEN, indicating the even results are displayed.

MEASUREMENT:MEAS<x>:OFILTERS:LOWPASS:FREQ

This command sets or returns the cut-off frequency value for a measurement.

Conditions	Requires IMDA-MECH license on MSO 5, 6, 6B series instruments.
Group	Measurement, IMDA
Syntax	MEASUREMENT:MEAS<x>:OFILTERS:LOWPASS:FREQ <NR3> MEASUREMENT:MEAS<x>:OFILTERS:LOWPASS:FREQ?
Arguments	MEAS<x> specifies the measurement number. <NR3> specifies the cut-off frequency value for a measurement.
Examples	MEASUREMENT:MEAS1:OFILTERS:LOWPASS:FREQ 500E+6 specifies the cut-off frequency value of the measurement as 500E+6 for measurement 1.

MEASurement:MEAS1:OFILters:LOWPass:FREQ? might return
:MEASurement:MEAS1:OFILters:LOWPass:FREQ 500E+6, indicating the
cut-off frequency value of the measurement is 500E+6.

MEASUREMENT:MEAS<x>:OFILTERS:LOWPASS:SPEC

This command sets or returns low pass filter specification for a measurement.

Conditions	Requires IMDA-MECH license on MSO 5, 6, 6B series instruments.
Group	Measurement, IMDA
Syntax	MEASUREMENT:MEAS<x>:OFILTERS:LOWPASS:SPEC {NONE FIRST SECOND THIRD} MEASUREMENT:MEAS<x>:OFILTERS:LOWPASS:SPEC?
Arguments	MEAS<x> specifies the measurement number. NONE specifies the low pass filter specification as none. FIRST specifies the low pass filter specification set to 1st Order for the measurement. SECOND specifies the low pass filter specification set to 2nd Order for the measurement. THIRD specifies the low pass filter specification set to 3rd Order for the measurement.
Examples	MEASUREMENT:MEAS1:OFILTERS:LOWPASS:SPEC FIRST specifies the low pass filter specification set to 1st Order for the measurement. MEASUREMENT:MEAS1:OFILTERS:LOWPASS:SPEC? might return :MEASUREMENT:MEAS1:OFILTERS:LOWPASS:SPEC FIRST, indicating the low pass filter specification is set to 1st Order for the measurement.

MEASUREMENT:MEAS<x>:OSANGLE

This command sets or queries the specified measurement Offset angle.

Conditions	Requires IMDA-MECH license on MSO 5, 6, 6B series instruments.
Group	IMDA

Syntax	MEASUREMENT:MEAS<x>:OSANGLE <NR1> MEASUREMENT:MEAS<x>:OSANGLE?
Arguments	MEAS<x> specifies the measurement number. <NR1> specifies the offset angle of the measurement in the range or -360 to 360.
Examples	MEASUREMENT:MEAS1:OSANGLE 10 specifies the offset angle of the measurement as 10 for measurement 1. MEASUREMENT:MEAS1:OSANGLE? might return :MEASUREMENT:MEAS1:OSANGLE 10, indicating the offset angle of the measurement is 10.

MEASUREMENT:MEAS<x>:OUTEDGEQUALIFIER

This command sets or queries local output edge qualifier source.

Group	Measurement, IMDA
Syntax	MEASUREMENT:MEAS<x>:OUTEDGEQUALIFIER {CH<x> MATH<x> REF<x>}
Arguments	MEAS<x> specifies the measurement number. CH<x> specifies an analog channel as source. MATH<x> specifies a math channel as source. REF<x> specifies a reference waveform as the source.
Examples	MEASUREMENT:MEAS1:OUTEDGEQUALIFIER CH3 sets the local output edge qualifier source to channel 3. MEASUREMENT:MEAS1:OUTEDGEQUALIFIER? might return :MEASUREMENT:MEAS1:OUTEDGEQUALIFIER CH2 indicating the local output edge qualifier source is channel 2.

MEASUREMENT:MEAS<x>:OUTFILTERS:LOWPASS:FREQ

This command sets or queries the measurement output low pass filter frequency cutoff frequency on the scope.

Group	Measurement, IMDA
--------------	-------------------

Syntax MEASUREMENT:MEAS<x>:OUTFILTERS:LOWPASS:FREQ <NR2>
MEASUREMENT:MEAS<x>:OUTFILTERS:LOWPASS:FREQ?

Arguments MEAS<x> specifies the measurement number.

<NR2> specifies the values for the output filter cutoff frequency. The argument range is 20 Hz to 10e6 Hz.

Examples MEASUREMENT:MEAS1:OUTFILTERS:LOWPASS:FREQ 2.000E+6 sets the value for the output filter cutoff frequency for measurement 1 as 2.000E+6.

MEASUREMENT:MEAS1:OUTFILTERS:LOWPASS:FREQ? might return
:MEASUREMENT:MEAS1:OUTFILTERS:LOWPASS:FREQ 2.000E+6, indicating the value for the output filter cutoff frequency for is 2.000E+6.

MEASUREMENT:MEAS<x>:OUTFILTERS:LOWPASS:SPEC

This command sets or queries the measurement output low pass filter specification filter order on the scope. Measurements are specified by x.

Group Measurement, IMDA

Syntax MEASUREMENT:MEAS<x>:OUTFILTERS:LOWPASS:SPEC
{NONE|FIRST|SECOND|THIRD}
MEASUREMENT:MEAS<x>:OUTFILTERS:LOWPASS:SPEC?

Arguments MEAS<x> specifies the measurement number.

NONE specifies the filter order none.

FIRST specifies the filter order first.

SECOND specifies the filter order second.

THIRD specifies the filter order third.

Examples MEASUREMENT:MEAS1:OUTFILTERS:LOWPASS:SPEC SECOND sets the filter order of measurement 1 to second.

MEASUREMENT:MEAS1:OUTFILTERS:LOWPASS:SPEC? might return
:MEASUREMENT:MEAS1:OUTFILTERS:LOWPASS:SPEC SECOND, indicating the filter order is set to second.

MEASUREMENT:MEAS<x>:OUTPUT<x>VOLTage

Sets or queries the voltage level for the specified output voltage source n.

Conditions Requires option 5-DPM (5 Series MSO instruments) or 6-DPM (6 Series MSO instrument)

Group DPM

Syntax MEASUREMENT:MEAS<x>:OUTPUT<x>VOLTage <NR2>
MEASUREMENT:MEAS<x>:OUTPUT<x>VOLTage?

Arguments MEAS<x> specifies the measurement number.
<NR2> is the output voltage for source n, in the range of -61 V to +61 V.

Examples MEASUREMENT:MEAS1:OUTPUT3VOLTage -24 sets the output voltage for source 3 of measurement 1 to -24 volts.
MEASUREMENT:MEAS1:OUTPUT3VOLTage? might return 2.500, indicating that the output voltage for source 3 of measurement 1 is 2.5 volts.

MEASUREMENT:MEAS<x>:PASSFAILENabled

This command returns or sets the pass/fail test enable status. If enabled, this will turn on pass fail testing for the specified measurement. Measurements are specified by x.

Group Measurement

Syntax MEASUREMENT:MEAS<x>:PASSFAILENabled <NR1>
MEASUREMENT:MEAS<x>:PASSFAILENabled?

Related Commands [ACTONEvent:ENable](#)
[ACTONEvent:MEASUREMENT:ACTION:SAVEIMAGE:STATE](#)
[ACTONEvent:MEASUREMENT:ACTION:SAVEWAVEform:STATE](#)
[ACTONEvent:MEASUREMENT:ACTION:SRQ:STATE](#)
[ACTONEvent:MEASUREMENT:ACTION:STOPACQ:STATE](#)

Arguments <NR1> enables or disables pass fail testing for the specified measurement. A value of 1 enables and a value of 0 disables.

Examples MEASUREMENT:MEAS1:PASSFAILENabled 1 enables pass fail testing for the specified measurement.

MEASUREMENT:MEAS1:PASSFAILENabled? might return
:MEASUREMENT:MEAS1:PASSFAILENabled 0 indicating that pass fail testing for the specified measurement is disabled.

MEASUREMENT:MEAS<x>:PASSFAILHIGHlimit

This command returns or sets the high limit for a measurement test. Used as the test value when the "fail when" criteria is set to "less than" or "greater than". Measurements are specified by x.

Group Measurement

Syntax MEASUREMENT:MEAS<x>:PASSFAILHIGHlimit <NR2>
MEASUREMENT:MEAS<x>:PASSFAILHIGHlimit?

Related Commands [ACTONEVENT:ENABLE](#)
[ACTONEVENT:MEASUREMENT:ACTION:SAVEIMAGE:STATE](#)
[ACTONEVENT:MEASUREMENT:ACTION:SAVEWAVEFORM:STATE](#)
[ACTONEVENT:MEASUREMENT:ACTION:SRQ:STATE](#)
[ACTONEVENT:MEASUREMENT:ACTION:STOPACQ:STATE](#)

Arguments <NR2> sets the high limit for a measurement test. The high limit is a number which a measurement result will be tested against.

Examples MEASUREMENT:MEAS1:PASSFAILHIGHlimit 710 specifies 710 as the high limit for measurement 1.

MEASUREMENT:MEAS1:PASSFAILHIGHlimit? might return
:MEASUREMENT:MEAS1:PASSFAILHIGHlimit 710 indicating that 710 is the high limit for measurement 1.

MEASUREMENT:MEAS<x>:PASSFAILLIMIT

This command returns or sets the limit for a measurement test. Used as the test value when the "fail when" criteria is set to "less than" or "greater than". Measurements are specified by x.

Group Measurement

Syntax MEASUREMENT:MEAS<x>:PASSFAILLIMIT <NR2>
MEASUREMENT:MEAS<x>:PASSFAILLIMIT?

Related Commands [ACTONEVENT:ENABLE](#)
[ACTONEVENT:MEASUREMENT:ACTION:SAVEIMAGE:STATE](#)
[ACTONEVENT:MEASUREMENT:ACTION:SAVEMODE:STATE](#)
[ACTONEVENT:MEASUREMENT:ACTION:SRQ:STATE](#)
[ACTONEVENT:MEASUREMENT:ACTION:STOPACQ:STATE](#)

Arguments <NR2> sets the limit for a measurement test. The limit is a number which a measurement result will be tested against.

Examples MEASUREMENT:MEAS1:PASSFAILLIMIT 710 specifies 710 as the limit for measurement 1.

MEASUREMENT:MEAS1:PASSFAILLIMIT? might return
:MEASUREMENT:MEAS1:PASSFAILLIMIT 710 indicating that 710 is the limit for measurement 1.

MEASUREMENT:MEAS<x>:PASSFAILLIMIT

This command returns or sets the low limit for a measurement test. Used as the test value when the "fail when" criteria is set to "less than" or "greater than". Measurements are specified by x.

Group Measurement

Syntax MEASUREMENT:MEAS<x>:PASSFAILLIMIT <NR2>
MEASUREMENT:MEAS<x>:PASSFAILLIMIT?

Related Commands	<p>ACTONEVent:ENable</p> <p>ACTONEVent:MEASUrement:ACTION:SAVEIMAGe:STATE</p> <p>ACTONEVent:MEASUrement:ACTION:SAVEWAVEform:STATE</p> <p>ACTONEVent:MEASUrement:ACTION:SRQ:STATE</p> <p>ACTONEVent:MEASUrement:ACTION:STOPACQ:STATE</p>
Arguments	<p><NR2> sets the low limit for a measurement test. The limit is a number which a measurement result will be tested against.</p>
Examples	<p>MEASUrement:MEAS1:PASSFALLOWlimit 690 specifies 690 as the limit for measurement 1.</p> <p>MEASUrement:MEAS1:PASSFALLOWlimit? might return :MEASUrement:MEAS1:PASSFALLOWlimit 690 indicating that 690 is the low limit for measurement 1.</p>

MEASUrement:MEAS<x>:PASSFAILMARGin

This command returns or sets the allowed margin for limit comparisons for all pass/fail checks. This is given as a percentage with a default value of 0.05 representing 5%. Measurements are specified by x.

Group	Measurement
Syntax	<p>MEASUrement:MEAS<x>:PASSFAILMARGin <NR2></p> <p>MEASUrement:MEAS<x>:PASSFAILMARGin?</p>
Related Commands	<p>ACTONEVent:ENable</p> <p>ACTONEVent:MEASUrement:ACTION:SAVEIMAGe:STATE</p> <p>ACTONEVent:MEASUrement:ACTION:SAVEWAVEform:STATE</p> <p>ACTONEVent:MEASUrement:ACTION:SRQ:STATE</p> <p>ACTONEVent:MEASUrement:ACTION:STOPACQ:STATE</p>
Arguments	<p><NR2> sets the allowed margin for limit comparisons for all pass/fail checks. The margin as a percentage of the limit.</p>

Examples `MEASUREMENT:MEAS1:PASSFAILMARGIN 0.10` specifies 10% as the allowed margin for limit comparisons for all pass/fail checks.

`MEASUREMENT:MEAS1:PASSFAILMARGIN?` might return `:MEASUREMENT:MEAS1:PASSFAILMARGIN 0.10` indicating that 10% is the allowed margin for limit comparisons for all pass/fail checks on measurement 1.

MEASUREMENT:MEAS<x>:PASSFAILWHEN

This command sets or returns the condition on which a measurement test fails. Measurements are specified by x.

Group Measurement

Syntax `MEASUREMENT:MEAS<x>:PASSFAILWHEN {LESSthan| GREATERthan| EQUALs| NOTEQUALs| INSIDERange| OUTSIDERange}`
`MEASUREMENT:MEAS<x>:PASSFAILWHEN?`

Related Commands [ACTONEVENT:ENABLE](#)
[ACTONEVENT:MEASUREMENT:ACTION:SAVEIMAGE:STATE](#)
[ACTONEVENT:MEASUREMENT:ACTION:SAVEMODEFORM:STATE](#)
[ACTONEVENT:MEASUREMENT:ACTION:SRQ:STATE](#)
[ACTONEVENT:MEASUREMENT:ACTION:STOPACQ:STATE](#)

Arguments `LESSthan` sets the condition for measurement test failure as less than the given limit. This is the default value.

`GREATERthan` sets the condition for measurement test failure as greater than the given limit.

`EQUALs` sets the condition for measurement test failure as equals the given limit.

`NOTEQUALs` sets the condition for measurement test failure as not equal to the given limit.

`INSIDERange` sets the condition for measurement test failure as inside the limit range.

`OUTSIDERange` sets the condition for measurement test failure as outside the limit range.

Examples `MEASUREMENT:MEAS1:PASSFAILWHEN LESSthan` specifies the condition for measurement 1 test failure as less than the given limit.

`MEASUREMENT:MEAS1:PASSFAILWHEN?` might return
`:MEASUREMENT:MEAS1:PASSFAILWHEN LESSthan` indicating that the condition for measurement 1 test failure is less than the given limit.

MEASUREMENT:MEAS<x>:PATTERNDETECTION

This command sets or queries the pattern detection type for the measurement. Measurements are specified by x.

Group Measurement

Syntax `MEASUREMENT:MEAS<x>:PATTERNDETECTION {AUTO|MANUAL}`
`MEASUREMENT:MEAS<x>:PATTERNDETECTION?`

Arguments `MEAS<x>` specifies the measurement number.

`AUTO` automatically detects the pattern.

`MANUAL` requires manually detecting the pattern.

Examples `MEASUREMENT:MEAS1:PATTERNDETECTION MANUAL` specifies manually detecting the pattern.

`MEASUREMENT:MEAS1:PATTERNDETECTION?` might return
`:MEASUREMENT:MEAS1:PATTERNDETECTION AUTO` indicating patterns are automatically detected.

MEASUREMENT:MEAS<x>:PATTERNLENGTH

This command sets or queries the pattern length for the measurement. Measurements are specified by x.

Group Measurement

Syntax `MEASUREMENT:MEAS<x>:PATTERNLENGTH <NR3>`
`MEASUREMENT:MEAS<x>:PATTERNLENGTH?`

Arguments `MEAS<x>` specifies the measurement number.

`<NR3>` is the pattern length.

Examples `MEASUREMENT:MEAS1:PATTERNLENGTH 3.0` sets the pattern length to 3.0.
`MEASUREMENT:MEAS1:PATTERNLENGTH?` might return
`:MEASUREMENT:MEAS1:PATTERNLENGTH 2.0000` indicating the
patternlength is 2.0.

MEASUREMENT:MEAS<x>:PATTERNType

This command sets or queries the pattern type for the measurement. Measurements are specified by x.

Group Measurement

Syntax `MEASUREMENT:MEAS<x>:PATTERNType {REpeating|ARbitrary}`
`MEASUREMENT:MEAS<x>:PATTERNType?`

Arguments `MEAS<x>` specifies the measurement number.
`REpeating` specifies a repeating pattern.
`ARbitrary` specifies an arbitrary pattern.

Examples `MEASUREMENT:MEAS1:PATTERNType ARBITRARY` specifies an arbitrary pattern.
`MEASUREMENT:MEAS1:PATTERNType?` might return
`:MEASUREMENT:MEAS1:PATTERNType REPEATING` indicating a repeating
pattern.

MEASUREMENT:MEAS<x>:PCOUNT

This command sets or returns number of pulses. Measurements are specified by x.

Conditions Requires a WBG-DPT license.

Group Measurement, WBG

Syntax `MEASUREMENT:MEAS<x>:PCOUNT <NR3>`
`MEASUREMENT:MEAS<x>:PCOUNT?`

Arguments `MEAS<x>` specifies the measurement number.
`<NR3>` is the number of pulses.

Examples `MEASUREMENT:MEAS1:PCOUNT 10` sets the number of pulses to 10.
`MEASUREMENT:MEAS1:PCOUNT?` might return `:MEASUREMENT:MEAS1:PCOUNT 10`, indicating the number of pulses is 10.

MEASUREMENT:MEAS<x>:PERFREQ:EDGE

This command sets or queries the edge type of a Period/Frequency measurement. The measurement number is specified by x.

Group Measurement

Syntax `MEASUREMENT:MEAS<x>:PERFREQ:EDGE {FIRST|RISE|FALL}`

Arguments `MEAS<x>` specifies the measurement number.
`FIRST` computes the measurement between Rising edges if the first edge is Rising. Computes the measurement between Falling edges if the first edge is Falling.
`RISE` computes the measurement between Rising edges.
`FALL` computes the measurement between Falling edges.

Examples `MEASUREMENT:MEAS1:PERFREQ:EDGE RISE` specifies computing the measurement between Rising edges.
`measurement:meas1:perfreq:edge?` might return `:MEASUREMENT:MEAS1:PERFREQ:EDGE FIRST` if the measurement is computed between edges of the first type edge found.

MEASUREMENT:MEAS<x>:POLARITY

This command sets or queries the polarity for the measurement when the measurement type is burst width. Measurements are specified by x.

Group Measurement

Syntax `MEASUREMENT:MEAS<x>:POLARITY {NORMAL|INVERTED}`
`MEASUREMENT:MEAS<x>:POLARITY?`

Arguments `MEAS<x>` specifies the measurement number.
`NORMAL` specifies normal polarity.

INVERTed specifies inverted polarity.

Examples MEASUREMENT:MEAS1:POLARity INVERTED specifies inverted polarity.
 MEASUREMENT:MEAS1:POLARity? might return
 :MEASUREMENT:MEAS1:POLARITY NORMAL indicating normal polarity.

MEASUREMENT:MEAS<x>:POPpower

This command sets or queries the Percentage Power to be measured for the Occupied Bandwidth measurement. The measurement number is specified by x.

Group Measurement

Syntax MEASUREMENT:MEAS<x>:POPpower <NR3>
 MEASUREMENT:MEAS<x>:POPpower?

Related Commands [MEASUREMENT:MEAS<x>:OBWMethod](#)

Arguments <NR3> sets the Percentage Power value. The default value is 99.9 and the valid range is 60.0 to 99.9.

Examples MEASUREMENT:MEAS1:POPpower 99 sets power to 99%.
 MEASUREMENT:MEAS1:POPpower? might return
 :MEASUREMENT:MEAS1:POPpower 99 indicating the power is set to 99%.

MEASUREMENT:MEAS<x>:POPulation:GLOBal

This command sets or queries the population settings global flag. The measurement number is specified by x.

Group Measurement

Syntax MEASUREMENT:MEAS<x>:POPulation:GLOBal {OFF|ON|0|1}
 MEASUREMENT:MEAS<x>:POPulation:GLOBal?

Arguments	<p>MEAS<x> specifies the measurement number.</p> <p>OFF specifies that population settings can be changed independently for each individual measurement.</p> <p>ON applies the global population settings to all the measurements' population settings.</p> <p>0 specifies that population settings can be changed independently for each individual measurement.</p> <p>1 applies the global population settings to all the measurements' population settings.</p>
Examples	<p>MEASUREMENT:MEAS1:POPULATION:GLOBAL 1 applies the global population settings to all the measurements' population settings.</p> <p>MEASUREMENT:MEAS1:POPULATION:GLOBAL? might return :MEASUREMENT:MEAS1:POPULATION:GLOBAL 0 indicating that population settings can be changed independently for each individual measurement.</p>

MEASUREMENT:MEAS<x>:POPULATION:LIMIT:STATE

This command sets or queries the population limit state for the measurement. The measurement number is specified by x.

Group	Measurement
Syntax	MEASUREMENT:MEAS<x>:POPULATION:LIMIT:STATE {OFF ON 0 1} MEASUREMENT:MEAS<x>:POPULATION:LIMIT:STATE?
Arguments	<p>MEAS<x> specifies the measurement number.</p> <p>OFF turns off the population limit.</p> <p>ON turns on the population limit.</p> <p>0 turns off the population limit.</p> <p>1 turns on the population limit.</p>
Examples	<p>MEASUREMENT:MEAS1:POPULATION:LIMIT:STATE 0 turns off the population limit.</p> <p>MEASUREMENT:MEAS1:POPULATION:LIMIT:STATE? might return :MEASUREMENT:MEAS1:POPULATION:LIMIT:STATE 1 indicating the population limit is on.</p>

MEASUREMENT:MEAS<x>:POPULATION:LIMIT:VALUE

This command sets or queries the population limit value for the measurement. The measurement number is specified by x.

Group	Measurement
Syntax	MEASUREMENT:MEAS<x>:POPULATION:LIMIT:VALUE <NR3> MEASUREMENT:MEAS<x>:POPULATION:LIMIT:VALUE?
Arguments	MEAS<x> specifies the measurement number. <NR3> the current limit value.
Examples	MEASUREMENT:MEAS1:POPULATION:LIMIT:VALUE 2000 sets the population limit to 2000. MEASUREMENT:MEAS1:POPULATION:LIMIT:VALUE? might return :MEASUREMENT:MEAS1:POPULATION:LIMIT:VALUE 1000 indicating the limit is set to 1000.

MEASUREMENT:MEAS<x>:POWERFACTOR

This command sets or queries the power factor value for IEC-Class C type harmonics standard. The measurement number is specified by x.

Group	Measurement, IMDA
Syntax	MEASUREMENT:MEAS<x>:POWERFACTOR <NR2> MEASUREMENT:MEAS<x>:POWERFACTOR?
Arguments	MEAS<x> specifies the measurement number. <NR2> specifies the power factor value for class C harmonics standard.
Examples	MEASUREMENT:MEAS1:POWERFACTOR sets the . MEASUREMENT:MEAS1:POWERFACTOR? might return :MEASUREMENT:MEAS1:POWERFACTOR indicating the .

MEASUREMENT:MEAS<x>:PREGion

This command sets or returns pulse region for a measurement. Measurements are specified by x.

Conditions	Requires a WBG-DPT license.
Group	Measurement, WBG
Syntax	MEASUREMENT:MEAS<x>:PREGion {FPULSE SPULSE MPULSE} MEASUREMENT:MEAS<x>:PREGion?
Arguments	FPULSE is the pulse region as Fpulse. SPULSE is the pulse region as Spulse. MPULSE is the pulse region as Mpulse.
Examples	MEASUREMENT:MEAS1:PREGion Fpulse sets the pulse region to Fpulse. MEASUREMENT:MEAS1:PREGion? might return :MEASUREMENT:MEAS1:PREGion Fpulse, indicating the pulse region is set to Fpulse.

MEASUREMENT:MEAS<x>:PRESistance

This command sets or returns the probe resistance for WBG measurement.

Conditions	Requires a WBG-DPT License.
Group	Measurement, WBG
Syntax	MEASUREMENT:MEAS<x>:PRESistance <NR3> MEASUREMENT:MEAS<x>:PRESistance?
Arguments	MEAS<x> specifies the measurement number. <NR3> specifies the value for probe resistance of the WBG measurement.
Examples	MEASUREMENT:MEAS2:PRESistance 1.0000E+3 specifies the value for probe resistance as 1.0000E+3 for measurement 2.

MEASUREMENT:MEAS2:RESISTANCE? might return
:MEASUREMENT:MEAS2:RESISTANCE 1.0000E+3 indicating the value for
probe resistance is 1.0000E+3 for measurement 2.

MEASUREMENT:MEAS<x>:PWIDTh

This command sets or returns pulse width. Measurements are specified by x.

Conditions	Requires a WBG-DPT license.
Group	Measurement, WBG
Syntax	MEASUREMENT:MEAS<x>:PWIDTh <NR3> MEASUREMENT:MEAS<x>:PWIDTh?
Arguments	<NR3> specifies the pulse width.
Examples	MEASUREMENT:MEAS1:PWIDTh 15.0000 sets the pulse width to 15. MEASUREMENT:MEAS1:PWIDTh? might return :MEASUREMENT:MEAS1:PWIDTh 15.0000, indicating the pulse width is 15.

MEASUREMENT:MEAS<x>:REDGe

This command turns on or off the Refine edge on qualifier. Measurements are specified by x.

Conditions	Requires a WBG-DPT license.
Group	Measurement, WBG
Syntax	MEASUREMENT:MEAS<x>:REDGe {ON OFF} MEASUREMENT:MEAS<x>:REDGe?
Arguments	ON specifies the Refine edge settings has been turned on. OFF specifies the Refine edge settings has been turned off.

Examples `MEASUREMENT:MEAS1:REDGE ON` turns on the Refine edge on qualifier.
`MEASUREMENT:MEAS1:REDGE?` might return `:MEASUREMENT:MEAS1:REDGE ON`, indicating the Refine edge settings has been turned on.

MEASUREMENT:MEAS<x>:REFLEVELS:ABSOLUTE:FALLHIGH

This command sets or queries the value used as the high reference level of the falling edge when the measurement's ref level method is set to absolute. Measurements are specified by x.

NOTE. *This command affects the results of rise and fall measurements*

Group Measurement

Syntax `MEASUREMENT:MEAS<x>:REFLEVELS:ABSOLUTE:FALLHIGH <NR3>`
`MEASUREMENT:MEAS<x>:REFLEVELS:ABSOLUTE:FALLHIGH?`

Arguments `MEAS<x>` specifies the measurement number.
`<NR3>` is the high reference level in volts. The default is 0.0 V.

Examples `MEASUREMENT:MEAS1:REFLEVELS:ABSOLUTE:FALLHIGH 1.71` sets the high reference level to 1.71 V.
`MEASUREMENT:MEAS1:REFLEVELS:ABSOLUTE:FALLHIGH?` might return `:MEASUREMENT:MEAS1:REFLEVELS:ABSOLUTE:FALLHIGH 1.7100E+00`, indicating that the absolute high reference level is set to 1.71 V.

MEASUREMENT:MEAS<x>:REFLEVELS<x>:ABSOLUTE:FALLLOW

This command sets or queries the value used as the low reference level of the falling edge when the measurement's ref level method is set to absolute. Measurements are specified by x.

NOTE. *This command affects the results of rise and fall measurements.*

Group Measurement

Syntax `MEASUREMENT:MEAS<x>:REFLEVELS<x>:ABSOLUTE:FALLLOW <NR3>`
`MEASUREMENT:MEAS<x>:REFLEVELS<x>:ABSOLUTE:FALLLOW?`

Arguments	MEAS<x> specifies the measurement number. <NR3> is the low reference level in volts. The default is 0.0 V.
Examples	MEASUREMENT:MEAS1:REFLEVELS1:ABSOLUTE:FALLLOW 0.0 V sets the low reference level to 0.0 V. MEASUREMENT:MEAS1:REFLEVELS1:ABSOLUTE:FALLLOW? might return :MEASUREMENT:MEAS1:REFLEVELS1:ABSOLUTE:FALLLOW 0.0000E+00, indicating that the absolute low reference level is set to 0.0 V.

MEASUREMENT:MEAS<x>:REFLEVELS<x>:ABSOLUTE:FALLMID

This command sets or queries the value used as the mid reference level of the falling edge when the measurement's ref level method is set to absolute. Measurements are specified by x.

NOTE. This command affects the results of period, frequency, delay, and all cyclic measurements.

Group	Measurement
Syntax	MEASUREMENT:MEAS<x>:REFLEVELS<x>:ABSOLUTE:FALLMID <NR3> MEASUREMENT:MEAS<x>:REFLEVELS<x>:ABSOLUTE:FALLMID?
Arguments	MEAS<x> specifies the measurement number. <NR3> is the mid reference level in volts. The default is 0.0 V.
Examples	MEASUREMENT:MEAS1:REFLEVELS1:ABSOLUTE:FALLMID 0.5 sets the mid reference level for the delay waveform to 0.5 V. MEASUREMENT:MEAS1:REFLEVELS1:ABSOLUTE:FALLMID? might return :MEASUREMENT:MEAS1:REFLEVELS1:ABSOLUTE:FALLMID 0.5000E+00, indicating that the absolute mid reference level is set to 0.5 V.

MEASUREMENT:MEAS<x>:REFLEVELS<x>:ABSOLUTE:HYS TERESIS

This command sets or queries the value of the hysteresis of the reference level when the measurement's ref level method is set to absolute. The measurement number is specified by x.

Group	Measurement
Syntax	MEASUREMENT:MEAS<x>:REFLEVELS<x>:ABSOLUTE:HYSTERESIS <NR3> MEASUREMENT:MEAS<x>:REFLEVELS<x>:ABSOLUTE:HYSTERESIS?
Arguments	MEAS<x> specifies the measurement number. <NR3> is the hysteresis value used for autoset.
Examples	MEASUREMENT:MEAS1:REFLEVELS1:ABSOLUTE:HYSTERESIS 25.0E-3 sets the hysteresis to 25 mV. MEASUREMENT:MEAS1:REFLEVELS1:ABSOLUTE:HYSTERESIS? might return :MEASUREMENT:MEAS1:REFLEVELS1:ABSOLUTE:HYSTERESIS 30.0000E-3 indicating the hysteresis is set to 30 mV.

MEASUREMENT:MEAS<x>:REFLEVELS<x>:ABSOLUTE:RISEHIGH

This command sets or queries the value used as the high reference level of the rising edge when the measurement's ref level method is set to absolute. The measurement number is specified by x.

Group	Measurement
Syntax	MEASUREMENT:MEAS<x>:REFLEVELS<x>:ABSOLUTE:RISEHIGH <NR3> MEASUREMENT:MEAS<x>:REFLEVELS<x>:ABSOLUTE:RISEHIGH?
Arguments	MEAS<x> specifies the measurement number. <NR3> is the high reference level, and is the zero percent level when the measurement's Ref level method is set to Absolute.
Examples	MEASUREMENT:MEAS1:REFLEVELS1:ABSOLUTE:RISEHIGH 1.50 sets the high reference level to 1.5 V. MEASUREMENT:MEAS1:REFLEVELS1:ABSOLUTE:RISEHIGH? might return :MEASUREMENT:MEAS1:REFLEVELS1:ABSOLUTE:RISEHIGH 1.0000 indicating the high reference level is set to 1.0 V.

MEASUREMENT:MEAS<x>:REFLEVELS<x>:ABSOLUTE:RISELOW

This command sets or queries the value used as the low reference level of the rising edge when the measurement's ref level method is set to absolute. The measurement number is specified by x.

Group	Measurement
Syntax	MEASUREMENT:MEAS<x>:REFLEVELS<x>:ABSOLUTE:RISELOW <NR3> MEASUREMENT:MEAS<x>:REFLEVELS<x>:ABSOLUTE:RISELOW?
Arguments	MEAS<x> specifies the measurement number. <NR3> is the low reference level, and is the zero percent level when the measurement's Ref level method is set to Absolute.
Examples	MEASUREMENT:MEAS1:REFLEVELS1:ABSOLUTE:RISELOW -1.50 sets the low reference level to -1.5 V. MEASUREMENT:MEAS1:REFLEVELS1:ABSOLUTE:RISELOW? might return :MEASUREMENT:MEAS1:REFLEVELS1:ABSOLUTE:RISELOW -1.0000 indicating the low reference level is -1.0 V.

MEASUREMENT:MEAS<x>:REFLEVELS<x>:ABSOLUTE:RISEMID

This command sets or queries the value used as the mid reference level of the rising edge when the measurement's ref level method is set to absolute. The measurement number is specified by x.

Group	Measurement
Syntax	MEASUREMENT:MEAS<x>:REFLEVELS<x>:ABSOLUTE:RISEMID <NR3> MEASUREMENT:MEAS<x>:REFLEVELS<x>:ABSOLUTE:RISEMID?
Arguments	MEAS<x> specifies the measurement number. <NR3> is the mid reference level (where 50% is equal to MID) used to calculate the mid reference level when the measurement's Ref level method is set to Absolute.
Examples	MEASUREMENT:MEAS1:REFLEVELS1:ABSOLUTE:RISEMID 30.0E-3 sets the mid reference level to 30 mV.

MEASUREMENT:MEAS1:REFLEVELS1:ABSOLUTE:RISEMID? might return
:MEASUREMENT:MEAS1:REFLEVELS1:ABSOLUTE:RISEMID 0.0E+0
indicating the mid reference level is 0.0 V.

MEASUREMENT:MEAS<x>:REFLEVELS<x>:ABSOLUTE:TYPE

This command sets or queries the reference level type for the measurement. The measurement number is specified by x.

Group	Measurement
Syntax	MEASUREMENT:MEAS<x>:REFLEVELS<x>:ABSOLUTE:TYPE {SAME UNIQUE} MEASUREMENT:MEAS<x>:REFLEVELS<x>:ABSOLUTE:TYPE?
Arguments	MEAS<x> specifies the measurement number. SAME specifies that the absolute levels are set the same. UNIQUE specifies that the absolute levels can be set independently.
Examples	MEASUREMENT:MEAS1:REFLEVELS1:ABSOLUTE:TYPE UNIQUE specifies that the absolute levels can be set independently. MEASUREMENT:MEAS1:REFLEVELS1:ABSOLUTE:TYPE? might return :MEASUREMENT:MEAS1:REFLEVELS1:ABSOLUTE:TYPE SAME indicating the absolute levels are set the same.

MEASUREMENT:MEAS<x>:REFLEVELS<x>:BASSETOP

This command sets or queries the method used to calculate the TOP and BASE used to calculate reference levels for the measurement. The measurement number is specified by x.

Group	Measurement
Syntax	MEASUREMENT:MEAS<x>:REFLEVELS<x>:BASSETOP {AUTO MINMAX MEANHISTOGRAM MODEHISTOGRAM EYEHISTOGRAM} MEASUREMENT:MEAS<x>:REFLEVELS<x>:BASSETOP?
Arguments	MEAS<x> specifies the measurement number. AUTO automatically chooses a reference level method.

MINMax specifies that reference levels are relative to the measurement MIN and MAX.

MEANHistogram specifies that reference levels are relative to the histogram mean BASE and TOP.

MODEHistogram specifies that reference levels are relative to the histogram mode BASE and TOP.

EYEHistogram specifies that reference levels are relative to the eye histogram BASE and TOP.

Examples `MEASUREMENT:MEAS1:REFLEVELS1:BASETOP` MINMAX specifies that reference levels are relative to the measurement MIN and MAX.

`MEASUREMENT:MEAS1:REFLEVELS1:BASETOP?` might return `:MEASUREMENT:MEAS1:REFLEVELS1:BASETOP` AUTO indicating the instrument automatically chooses a reference level method.

MEASUREMENT:MEAS<x>:REFLEVELS<x>:METHOD

This command sets or queries the method used to calculate reference levels for the measurement. The measurement number is specified by x.

Group Measurement

Syntax `MEASUREMENT:MEAS<x>:REFLEVELS<x>:METHOD {PERCENT|ABSOLUTE}`
`MEASUREMENT:MEAS<x>:REFLEVELS<x>:METHOD?`

Arguments `MEAS<x>` specifies the measurement number.

PERCENT specifies that the reference levels are calculated as a percent relative to HIGH and LOW. The percentages are defined using the `MEASUREMENT:MEAS<x>:REFLEVEL:PERCENT` commands.

ABSOLUTE specifies that the reference levels are set explicitly using the `MEASUREMENT:MEAS<x>:REFLEVEL:ABSOLUTE` commands. This method is useful when precise values are required.

Examples `MEASUREMENT:MEAS1:REFLEVELS1:METHOD ABSOLUTE` specifies that explicit user-defined values are used for the reference levels.

`MEASUREMENT:MEAS1:REFLEVELS1:METHOD?` might return `:MEASUREMENT:MEAS1:REFLEVELS1:METHOD PERCENT`, indicating that the reference level units used are calculated as a percent relative to HIGH and LOW.

MEASUREMENT:MEAS<x>:REFLEVELS<x>:PERCENT:FALLHIGH

This command sets or queries the percentage (where 99% is equal to TOP and 1% is equal to BASE) used to calculate the high reference level of the falling edge when the measurement's ref level method is set to percent. The measurement number is specified by x.

Group Measurement

Syntax MEASUREMENT:MEAS<x>:REFLEVELS<x>:PERCENT:FALLHIGH <NR3>
MEASUREMENT:MEAS<x>:REFLEVELS<x>:PERCENT:FALLHIGH?

Arguments MEAS<x> specifies the measurement number.

<NR3> is the percentage (where 100% is equal to HIGH) used to calculate the high reference level.

Examples MEASUREMENT:MEAS1:REFLEVELS1:PERCENT:FALLHIGH 95.0 sets the high reference level of the falling edge to 95%.

MEASUREMENT:MEAS1:REFLEVELS1:PERCENT:FALLHIGH? might return
:MEASUREMENT:MEAS1:REFLEVELS1:PERCENT:FALLHIGH 90.0000
indicating the high reference level is set to 90%.

MEASUREMENT:MEAS<x>:REFLEVELS<x>:PERCENT:FALLLOW

This command sets or queries the percentage (where 99% is equal to TOP and 1% is equal to BASE) used to calculate the low reference level of the falling edge when the measurement's ref level method is set to percent. The measurement number is specified by x.

Group Measurement

Syntax MEASUREMENT:MEAS<x>:REFLEVELS<x>:PERCENT:FALLLOW <NR3>
MEASUREMENT:MEAS<x>:REFLEVELS<x>:PERCENT:FALLLOW?

Arguments MEAS<x> specifies the measurement number.

<NR3> is the percentage (where 100% is equal to HIGH) used to calculate the mid reference level.

Examples `MEASUREMENT:MEAS1:REFLEVELS1:PERCENT:FALLLOW 5.0` sets the low reference level of the falling edge is 5%.

`MEASUREMENT:MEAS1:REFLEVELS1:PERCENT:FALLLOW?` might return `:MEASUREMENT:MEAS1:REFLEVELS1:PERCENT:FALLLOW 10.0000` indicating the low reference level of the falling edge is 10%.

MEASUREMENT:MEAS<x>:REFLEVELS<x>:PERCENT:FALLMID

This command sets or queries the percentage (where 99% is equal to TOP and 1% is equal to BASE) used to calculate the mid reference level of the falling edge when the measurement's ref level method is set to percent. The measurement number is specified by x.

Group Measurement

Syntax `MEASUREMENT:MEAS<x>:REFLEVELS<x>:PERCENT:FALLMID <NR3>`
`MEASUREMENT:MEAS<x>:REFLEVELS<x>:PERCENT:FALLMID?`

Arguments `MEAS<x>` specifies the measurement number.

`<NR3>` is the percentage (where 50% is equal to MID) used to calculate the mid reference level.

Examples `MEASUREMENT:MEAS1:REFLEVELS1:PERCENT:FALLMID 50.0` sets the mid reference level of the falling edge to 50%.

`MEASUREMENT:MEAS1:REFLEVELS1:PERCENT:FALLMID?` might return `:MEASUREMENT:MEAS1:REFLEVELS1:PERCENT:FALLMID 50.0000` indicating the mid reference level of the falling edge is set to 50%.

MEASUREMENT:MEAS<x>:REFLEVELS<x>:PERCENT:HYSTeresis

This command sets or queries the percentage (where 99% is equal to MAX and 1% is equal to MIN) used to calculate the hysteresis of the reference level when the measurement's ref level method is set to percent. The measurement number is specified by x.

Group Measurement

Syntax `MEASUREMENT:MEAS<x>:REFLEVELS<x>:PERCENT:HYSTeresis <NR3>`
`MEASUREMENT:MEAS<x>:REFLEVELS<x>:PERCENT:HYSTeresis?`

Arguments	<p>MEAS<x> specifies the measurement number.</p> <p><NR3> is the hysteresis value used for the autoset.</p>
Examples	<p>MEASUREMENT:MEAS1:REFLEVELS1:PERCENT:HYSTERESIS 5.0 sets the hysteresis level to 5%.</p> <p>MEASUREMENT:MEAS1:REFLEVELS1:PERCENT:HYSTERESIS? might return :MEASUREMENT:MEAS1:REFLEVELS1:PERCENT:HYSTERESIS 5.0000 indicating the hysteresis is 5.0%.</p>

MEASUREMENT:MEAS<x>:REFLEVELS<x>:PERCENT:RISEHigh

This command sets or queries the percentage (where 99% is equal to TOP and 1% is equal to BASE) used to calculate the high reference level of the rising edge when the measurement's ref level method is set to percent. The measurement number is specified by x.

Group	Measurement
Syntax	<p>MEASUREMENT:MEAS<x>:REFLEVELS<x>:PERCENT:RISEHigh <NR3> MEASUREMENT:MEAS<x>:REFLEVELS<x>:PERCENT:RISEHigh?</p>
Arguments	<p>MEAS<x> specifies the measurement number.</p> <p><NR3> is the percentage (where 99% is equal to TOP) used to calculate the high reference level when the measurement's Ref level method is set to Percent.</p>
Examples	<p>MEASUREMENT:MEAS1:REFLEVELS1:PERCENT:RISEHigh 95.0 sets the high reference level of the rising edge is set to 95%.</p> <p>MEASUREMENT:MEAS1:REFLEVELS1:PERCENT:RISEHigh? might return :MEASUREMENT:MEAS1:REFLEVELS1:PERCENT:RISEHIGH 90.0000 indicating the high reference level of the rising edge is set to 90%.</p>

MEASUREMENT:MEAS<x>:REFLEVELS<x>:PERCENT:RISELow

This command sets or queries the percentage (where 99% is equal to TOP and 1% is equal to BASE) used to calculate the low reference level of the rising edge when the measurement's ref level method is set to percent. The measurement number is specified by x.

Group	Measurement
--------------	-------------

Syntax	<pre>MEASurement:MEAS<x>:REFLevels<x>:PERCent:RISELow <NR3> MEASurement:MEAS<x>:REFLevels<x>:PERCent:RISELow?</pre>
Arguments	<p>MEAS<x> specifies the measurement number.</p> <p><NR3> is the percentage (where 99% is equal to TOP) used to calculate the mid reference level when the measurement's Ref level method is set to Percent.</p>
Examples	<p>MEASurement:MEAS1:REFLevels1:PERCent:RISELow 5.0 sets the low reference level is set to 5.0%.</p> <p>MEASurement:MEAS1:REFLevels1:PERCent:RISELow? might return :MEASUREMENT:MEAS1:REFLEVELS1:PERCENT:RISELOW 10.0000 indicating the low reference level is set to 10.0%.</p>

MEASUREMENT:MEAS<x>:REFLEVELS<x>:PERCENT:RISEMID

This command sets or queries the percentage (where 99% is equal to TOP and 1% is equal to BASE) used to calculate the mid reference level of the rising edge when the measurement's ref level method is set to percent. The measurement number is specified by x.

Group	Measurement
Syntax	<pre>MEASurement:MEAS<x>:REFLevels<x>:PERCent:RISEMID <NR3> MEASurement:MEAS<x>:REFLevels<x>:PERCent:RISEMID?</pre>
Arguments	<p>MEAS<x> specifies the measurement number.</p> <p><NR3> the percentage (where 50% is equal to MID) used to calculate the mid reference level when the measurement Ref level method is set to Percent.</p>
Examples	<p>MEASurement:MEAS1:REFLevels1:PERCent:RISEMID 50.0000 sets the mid reference level of the rising edge is set to 50.0%.</p> <p>MEASurement:MEAS1:REFLevels1:PERCent:RISEMID? might return :MEASUREMENT:MEAS1:REFLEVELS1:PERCENT:RISEMID 50.0000 indicating the mid reference level of the rising edge is set to 50.0%.</p>

MEASUREMENT:MEAS<x>:REFLEVELS<x>:PERCENT:TYPE

This command specifies or queries the reference level percent type for the measurement. The measurement number is specified by x.

Group	Measurement
Syntax	<pre>MEASUREMENT:MEAS<x>:REFLEVELS<x>:PERCENT:TYPE {TENNINETY TWENTYEIGHTY CUSTOM} MEASUREMENT:MEAS<x>:REFLEVELS<x>:PERCENT:TYPE?</pre>
Arguments	<p>MEAS<x> specifies the measurement number.</p> <p>TENNINETY sets the values for Low, Mid and High Ref to 10%, 50% and 90% respectively.</p> <p>TWENTYEIGHTY sets the values for Low, Mid and High Ref are set to 20%, 50% and 80% respectively.</p> <p>CUSTOM allows setting other reference level percents.</p>
Examples	<p>MEASUREMENT:MEAS1:REFLEVELS1:PERCENT:TYPE TWENTYEIGHTY sets the reference levels percent to 20%, 50% and 80%.</p> <p>MEASUREMENT:MEAS1:REFLEVELS1:PERCENT:TYPE? might return :MEASUREMENT:MEAS1:REFLEVELS1:PERCENT:TYPE TENNINETY indicating the reference levels percent type is 10%, 50% and 90% respectively</p>

MEASUREMENT:MEAS<x>:REFMODE

This command sets or queries the reference level mode for the measurement. The measurement number is specified by x.

Group	Measurement
Syntax	<pre>MEASUREMENT:MEAS<x>:REFMODE {AUTO MANUAL} MEASUREMENT:MEAS<x>:REFMODE?</pre>
Arguments	<p>MEAS<x> specifies the measurement number.</p> <p>AUTO sets the reference level for the measurement automatically.</p> <p>MANUAL allows the user to set the reference level for the measurement.</p>
Examples	<p>MEASUREMENT:MEAS1:REFMODE MANUAL allows the user to set the reference level for the measurement.</p> <p>MEASUREMENT:MEAS1:REFMODE? might return :MEASUREMENT:MEAS1:REFMODE AUTO indicating the reference levels for the measurement are set automatically.</p>

MEASUREMENT:MEAS<x>:REFVOLTAGE

This command sets or queries the reference voltage value for the measurement. The measurement number is specified by x.

Group	Measurement
Syntax	MEASUREMENT:MEAS<x>:REFVOLTAGE <NR3> MEASUREMENT:MEAS<x>:REFVOLTAGE?
Arguments	MEAS<x> is the measurement number. <NR3> is the reference voltage value for the selected configuration.
Examples	MEASUREMENT:MEAS1:REFVOLTAGE 30.E-3 sets the reference voltage value for the measurement to 30 mV. MEASUREMENT:MEAS1:REFVOLTAGE? might return :MEASUREMENT:MEAS1:REFVOLTAGE 0.0E+0 indicating the reference voltage value for the measurement is 0.0 V.

MEASUREMENT:MEAS<x>:REFVOLTAGE<x>VAL

Sets or queries the reference voltage per rail of Overshoot and Undershoot measurements.

Conditions	Requires option 5-DPM (5 Series MSO instruments) or 6-DPM (6 Series MSO instrument)
Group	DPM
Syntax	MEASUREMENT:MEAS<x>:REFVOLTAGE<x>VAL <NR2> MEASUREMENT:MEAS<x>:REFVOLTAGE<x>VAL?
Arguments	MEAS<x> is the measurement number. REFVOLTAGE<x> is the rail number. <NR2> is the reference voltage, in the range of -500 V to +500 V.
Examples	MEASUREMENT:MEAS1:REFVOLTAGE3VAL -125 sets the reference voltage for rail 3 of measurement 1 to -125 volts.

MEASUREMENT:MEAS3:REFVOLTAGE1V1? might return 55.200, indicating that the reference voltage of rail 1 on measurement 3 is set to +55.2 volts.

MEASUREMENT:MEAS<x>:RESULTS:ALLACQS:MAXIMUM? (Query Only)

This query-only command returns the maximum value for all accumulated measurement acquisitions of the specified measurement. The measurement number is specified by x.

Group	Measurement
Syntax	MEASUREMENT:MEAS<x>:RESULTS:ALLACQS:MAXIMUM?
Returns	The maximum value for all accumulated measurement acquisitions of the specified measurement.
Examples	MEASUREMENT:MEAS1:RESULTS:ALLACQS:MAXIMUM? might return :MEASUREMENT:MEAS1:RESULTS:ALLACQS:MAXIMUM 2.420 indicating the maximum measurement value is 2.420 V.

MEASUREMENT:MEAS<x>:RESULTS:ALLACQS:MEAN? (Query Only)

This query-only command returns the mean value for all accumulated measurement acquisitions for measurement <x>.

Group	Measurement
Syntax	MEASUREMENT:MEAS<x>:RESULTS:ALLACQS:MEAN?
Returns	The mean value for all accumulated measurement acquisitions for measurement <x>.
Examples	MEASUREMENT:MEAS1:RESULTS:ALLACQS:MEAN? might return :MEASUREMENT:MEAS1:RESULTS:ALLACQS:MEAN 2.2807617754647 indicating the measurement mean is 2.28 V.

MEASUREMENT:MEAS<x>:RESULTS:ALLACQS:MINIMUM? (Query Only)

This query-only command returns the minimum value for all accumulated measurement acquisitions for measurement <x>.

Group	Measurement
Syntax	MEASUREMENT:MEAS<x>:RESULTS:ALLACQS:MINIMUM?
Returns	The minimum value for all accumulated measurement acquisitions for measurement <x>.
Examples	MEASUREMENT:MEAS1:RESULTS:ALLACQS:MINIMUM? might return :MEASUREMENT:MEAS1:RESULTS:ALLACQS:MINIMUM 2.220 indicating the measurement minimum value is 2.220 V.

MEASUREMENT:MEAS<x>:RESULTS:ALLACQS:PK2PK? (Query Only)

This query-only command returns the peak-to-peak value for all accumulated measurement acquisitions for measurement <x>.

Group	Measurement
Syntax	MEASUREMENT:MEAS<x>:RESULTS:ALLACQS:PK2PK?
Returns	The peak-to-peak value for all accumulated measurement acquisitions for measurement <x>.
Examples	MEASUREMENT:MEAS1:RESULTS:ALLACQS:PK2PK? might return :MEASUREMENT:MEAS1:RESULTS:ALLACQS:PK2PK 200.0E-3 indicating the measurement peak-to-peak value is 200 mV.

MEASUREMENT:MEAS<x>:RESULTS:ALLACQS:POPULATION? (Query Only)

This query-only command returns the population measurement value for measurement <x>.

Group	Measurement
--------------	-------------

- Syntax** `MEASUREMENT:MEAS<x>:RESULTS:ALLACQS:POPULATION?`
- Returns** The population measurement value for measurement <x>.
- Examples** `MEASUREMENT:MEAS1:RESULTS:ALLACQS:POPULATION?` might return
 `:MEASUREMENT:MEAS1:RESULTS:ALLACQS:POPULATION 29825` indicating
 the measurement population is 29825 measurements.

MEASUREMENT:MEAS<x>:RESULTS:ALLACQS:STDDEV? (Query Only)

This query-only command returns the standard deviation for all accumulated measurement acquisitions for measurement <x>.

- Group** Measurement
- Syntax** `MEASUREMENT:MEAS<x>:RESULTS:ALLACQS:STDDEV?`
- Returns** The standard deviation for all accumulated measurement acquisitions for measurement <x>.
- Examples** `MEASUREMENT:MEAS1:RESULTS:ALLACQS:STDDEV?` might
 return `:MEASUREMENT:MEAS1:RESULTS:ALLACQS:STDDEV`
 `23.5741246494459E-3` indicating the measurement standard deviation is
 23.57 mV.

MEASUREMENT:MEAS<x>:RESULTS:CURRENACQ:MAXIMUM? (Query Only)

This query-only command returns the maximum value found for the specified measurement since the last statistical reset. The measurement number is specified by x.

- Group** Measurement
- Syntax** `MEASUREMENT:MEAS<x>:RESULTS:CURRENACQ:MAXIMUM?`
- Returns** The maximum value found for the specified measurement since the last statistical reset.

Examples `MEASUREMENT:MEAS1:RESULTS:CURRENTACQ:MAXIMUM?` might return `:MEASUREMENT:MEAS1:RESULTS:CURRENTACQ:MAXIMUM 2.280` indicating the current measurement maximum value is 2.28 V.

MEASUREMENT:MEAS<x>:RESULTS:CURRENTACQ:MEAN? (Query Only)

This query-only command returns the mean value for the measurement for the current acquisition.

Group Measurement

Syntax `MEASUREMENT:MEAS<x>:RESULTS:CURRENTACQ:MEAN?`

Arguments `MEAS<x>` is the measurement number for which to return a value. This is the equivalent of the number shown in the measurement badge on the UI.

Returns The mean value accumulated for the specified measurement since the last statistical reset.

Examples `MEASUREMENT:MEAS3:RESULTS:CURRENTACQ:MEAN?` might return `:MEASUREMENT:MEAS3:RESULTS:CURRENTACQ:MEAN 2.30` indicating the mean of measurement 3 in the current acquisition is 2.3 V.

MEASUREMENT:MEAS<x>:RESULTS:CURRENTACQ:MINIMUM? (Query Only)

This query-only command returns the minimum value found for the specified measurement since the last statistical reset. The measurement number is specified by `x`.

Group Measurement

Syntax `MEASUREMENT:MEAS<x>:RESULTS:CURRENTACQ:MINIMUM?`

Returns The minimum value found for the specified measurement since the last statistical reset.

Examples `MEASUREMENT:MEAS1:RESULTS:CURRENTACQ:MINIMUM?` might return
:MEASUREMENT:MEAS1:RESULTS:CURRENTACQ:MINIMUM 2.260 indicating
the minimum value of the measurement in the current acquisition is 2.26 V.

MEASUREMENT:MEAS<x>:RESULTS:CURRENTACQ:PK2PK? (Query Only)

This query-only command returns the peak-to-peak value for the specified measurement for the current acquisition. The measurement number is specified by x.

Group Measurement

Syntax `MEASUREMENT:MEAS<x>:RESULTS:CURRENTACQ:PK2PK?`

Returns The peak-to-peak value for the specified measurement.

Examples `MEASUREMENT:MEAS1:RESULTS:CURRENTACQ:PK2PK?` might return
:MEASUREMENT:MEAS1:RESULTS:CURRENTACQ:PK2PK 0.0E+0 indicating
the peak-to-peak value for the specified measurement for the current acquisition
is 0.0 V.

MEASUREMENT:MEAS<x>:RESULTS:CURRENTACQ:POPULATION? (Query Only)

This query-only command returns the population for the specified measurement for the current acquisition. The measurement number is specified by x.

Group Measurement

Syntax `MEASUREMENT:MEAS<x>:RESULTS:CURRENTACQ:POPULATION?`

Returns The population measurement value for the specified measurement.

Examples `MEASUREMENT:MEAS<x>:RESULTS:CURRENTACQ:POPULATION?` might return
:MEASUREMENT:MEAS1:RESULTS:CURRENTACQ:POPULATION 1 indicating the
population for the current measurement is 1 measurement.

MEASUREMENT:MEAS<x>:RESULTS:CURRENTACQ:STDDEV? (Query Only)

This query-only command returns the standard deviation for the specified measurement for all acquisitions accumulated since statistics were last reset. The measurement number is specified by x.

Group	Measurement
Syntax	MEASUREMENT:MEAS<x>:RESULTS:CURRENTACQ:STDDEV?
Returns	The standard deviation of values accumulated for the specified measurement since the last statistical reset.
Examples	MEASUREMENT:MEAS<x>:RESULTS:CURRENTACQ:STDDEV? might return :MEASUREMENT:MEAS1:RESULTS:CURRENTACQ:STDDEV 0.0E+0 indicating the standard deviation for the measurement is 0.0 V.

MEASUREMENT:MEAS<x>:RESULTS:HISTORY:MAXIMUM? (Query Only)

This query-only command returns the maximum value for the specified measurement for each acquisition in the history. The measurement number is specified by x.

Group	Measurement
Syntax	MEASUREMENT:MEAS<x>:RESULTS:HISTORY:MAXIMUM?
Returns	A comma-separated list of the maximum values for each acquisition in the history.
Examples	MEASUREMENT:MEAS1:RESULTS:HISTORY:MAXIMUM? might return :MEASUREMENT:MEAS1:RESULTS:HISTORY:MAXIMUM 2.28,2.31,2.27 indicating there are three acquisitions in the history and the maximum value for measurement 1 is 2.28 V for the first acquisition, 2.31 V for the second acquisition and 2.27 V for the third acquisition.

MEASUREMENT:MEAS<x>:RESULTS:HISTORY:MEAN? (Query Only)

This query-only command returns the mean value for the specified measurement for each acquisition in the history. The measurement number is specified by x.

Group	Measurement
Syntax	MEASUREMENT:MEAS<x>:RESULTS:HISTORY:MEAN?
Returns	A comma-separated list of the mean values for each acquisition in the history.
Examples	MEASUREMENT:MEAS1:RESULTS:HISTORY:MEAN? might return :MEASUREMENT:MEAS1:RESULTS:HISTORY:MEAN 2.30,2.25,2.32 indicating there are three acquisitions in the history and the mean value for measurement 1 is 2.3 V for the first acquisition, 2.25 V for the second acquisition, and 2.32 V for the third acquisition.

MEASUREMENT:MEAS<x>:RESULTS:HISTORY:MINIMUM? (Query Only)

This query-only command returns the minimum value for the specified measurement for each acquisition in the history. The measurement number is specified by x.

Group	Measurement
Syntax	MEASUREMENT:MEAS<x>:RESULTS:HISTORY:MINIMUM?
Returns	A comma-separated list of the minimum values for each acquisition in the history.
Examples	MEASUREMENT:MEAS1:RESULTS:HISTORY:MINIMUM? might return :MEASUREMENT:MEAS1:RESULTS:HISTORY:MINIMUM 2.26,2.14,2.29 indicating there are three acquisitions in the history and the minimum value for measurement 1 is 2.26 V for the first acquisition, 2.14 V for the second acquisition, and 2.29 V for the third acquisition.

MEASUREMENT:MEAS<x>:RESULTS:HISTORY:PK2PK? (Query Only)

This query-only command returns the peak-to-peak value for the specified measurement for each acquisition in the history. The measurement number is specified by x.

Group	Measurement
--------------	-------------

Syntax	<code>MEASurement:MEAS<x>:RESUlts:HISTory:PK2PK?</code>
Returns	A comma-separated list of the peak-to-peak values for each acquisition in the history.
Examples	<code>MEASurement:MEAS1:RESUlts:HISTory:PK2PK?</code> might return <code>:MEASUREMENT:MEAS1:RESULTS:HISTORY:PK2PK 0.0E+0,0.0E+0,0.0E+0</code> indicating there are three acquisitions in the history and the peak-to-peak value for measurement 1 for each acquisition is 0.0 V.

MEASUREMENT:MEAS<x>:RESULTS:HISTORY:POPULATION? (Query Only)

This query-only command returns the population value for the specified measurement for each acquisition in the history. The measurement number is specified by *x*.

Group	Measurement
Syntax	<code>MEASurement:MEAS<x>:RESUlts:HISTory:POPulation?</code>
Returns	A comma-separated list of the population values for each acquisition in the history.
Examples	<code>MEASurement:MEAS<x>:RESUlts:HISTory:POPulation?</code> might return <code>:MEASUREMENT:MEAS1:RESULTS:HISTORY:POPULATION 1,1,1</code> indicating there are three acquisitions in the history and the population for measurement 1 for each acquisition is 1.

MEASUREMENT:MEAS<x>:RESULTS:HISTORY:STDDev? (Query Only)

This query-only command returns the standard deviation value for the specified measurement for each acquisition in the history. The measurement number is specified by *x*.

Group	Measurement
Syntax	<code>MEASurement:MEAS<x>:RESUlts:HISTory:STDDev?</code>

Returns A comma-separated list of the standard deviation values for each acquisition in the history.

Examples `MEASUREMENT:MEAS<x>:RESULTS:HISTORY:STDDEV?` might return `:MEASUREMENT:MEAS1:RESULTS:HISTORY:STDDEV 0.0E+0,0.0E+0,0.0E+0` indicating there are three acquisitions in the history and the standard deviation value for measurement 1 for each acquisition is 0.0 V.

MEASUREMENT:MEAS<x>:RIPPLEFREQ<x>Val

Sets or queries the ripple frequency per specified rail for Ripple measurement.

Conditions Requires option 5-DPM (5 Series MSO instruments) or 6-DPM (6 Series MSO instrument)

Group DPM

Syntax `MEASUREMENT:MEAS<x>:RIPPLEFREQ<x>Val <NR3>`
`MEASUREMENT:MEAS<x>:RIPPLEFREQ<x>Val?`

Arguments `MEAS<x>` is the measurement number.
`RIPPLEFREQ<x>` is the rail number.
`<NR3>` is the frequency, in the range of 1 Hz to 4 GHz.

Examples `MEASUREMENT:MEAS1:RIPPLEFREQ3Val 5.2e6` sets the ripple frequency for rail 3 of measurement 1 to 5.2 MHz.
`MEASUREMENT:MEAS3:RIPPLEFREQ1Val?` might return `1.0000E+6`, indicating that the ripple frequency of rail 1 on measurement 3 is set to 1 MHz.

MEASUREMENT:MEAS<x>:SEQUENCE

This command sets or queries the sequence of hall edges. The measurement number is specified by x.

Conditions IMDA-MECH license on 5 and 6 Series MSO instruments.

Group Measurement, IMDA

Syntax	MEASUREMENT:MEAS<x>:SEQUENCE {ABC ACB} MEASUREMENT:MEAS<x>:SEQUENCE?
Arguments	MEAS<x> specifies the measurement number. ABC specifies the motor Hall edges sequence as ABC. ACB specifies the motor Hall edges sequence as ACB.
Examples	MEASUREMENT:MEAS1:SEQUENCE ACB specifies the motor Hall edges sequence as ACB. MEASUREMENT:MEAS1:SEQUENCE? might return :MEASUREMENT:MEAS1:SEQUENCE ACB, indicating the motor Hall edges sequence is ACB.

MEASUREMENT:MEAS<x>:SIGNALFREQUENCY

This command sets or queries line frequency for Harmonics and Ripple line frequency. The measurement number is specified by x.

Group	Measurement, IMDA
Syntax	MEASUREMENT:MEAS<x>:SIGNALFREQUENCY {AUTO FIFTYHZ SIXTYHZ FOURHUNDREDHZ CUSTOM} MEASUREMENT:MEAS<x>:SIGNALFREQUENCY?
Arguments	MEAS<x> specifies the measurement number. AUTO specifies the line frequency as auto. Only available for Harmonics line frequency. FIFTYHZ specifies the line frequency as 50 Hz. SIXTYHZ specifies the line frequency as 60 Hz. FOURHUNDREDHZ specifies the line frequency as 400 Hz. . CUSTOM specifies the line frequency as custom.
Examples	MEASUREMENT:MEAS1:SIGNALFREQUENCY FIFTYHZ specifies the line frequency as 50 Hz for measurement 1. MEASUREMENT:MEAS1:SIGNALFREQUENCY? might return :MEASUREMENT:MEAS1:SIGNALFREQUENCY FIFTYHZ, indicating the line frequency is 50 Hz.

MEASUREMENT:MEAS<x>:SIGNALType

This command sets or queries the signal type of source 1 for the measurement. The measurement number is specified by x.

Group	Measurement
Syntax	MEASUREMENT:MEAS<x>:SIGNALType {CLOCK DATA AUTO} MEASUREMENT:MEAS<x>:SIGNALType?
Arguments	MEAS<x> specifies the measurement number. CLOCK specifies a clock signal type. DATA specifies a data signal type. AUTO automatically selects the signal type.
Examples	MEASUREMENT:MEAS1:SIGNALType CLOCK specifies a clock signal type. MEASUREMENT:MEAS1:SIGNALType? might return :MEASUREMENT:MEAS1:SIGNALTYPE AUTO indicating the instrument automatically selects the signal type.

MEASUREMENT:MEAS<x>:SLABS

This command sets or returns the value for the start level in absolute.

Conditions	Requires a WBG-DPT license.
Group	Measurement, WBG
Syntax	MEASUREMENT:MEAS<x>:SLABS <NR3> MEASUREMENT:MEAS<x>:SLABS?
Arguments	MEAS<x> specifies the measurement number. <NR3> specifies the value for the start level in absolute.
Examples	MEASUREMENT:MEAS1:SLABS -100.0000 sets the value for the start level to -100.

MEASUREMENT:MEAS1:SLABS? might return :MEASUREMENT:MEAS1:SLABS
-100.0000, indicating the value for the start level is -100.

MEASUREMENT:MEAS<x>:SLPct

This command sets or returns the value for the start level in percentage.

Conditions	Requires a WBG-DPT license.
Group	Measurement, WBG
Syntax	MEASUREMENT:MEAS<x>:SLPct <NR3> MEASUREMENT:MEAS<x>:SLPct?
Arguments	MEAS<x> specifies the measurement number. <NR3> specifies the value for the start level in percentage
Examples	MEASUREMENT:MEAS1:SLPct 10.0000E-3 sets the value for the start level in percentage to 10.0000E-3. MEASUREMENT:MEAS1:SLPct? might return :MEASUREMENT:MEAS1:SLPct 10.0000E-3, indicating the value for the start level in percentage is 10.0000E-3.

MEASUREMENT:MEAS<x>:SLType

This command sets or returns the start level source type.

Conditions	Requires a WBG-DPT license.
Group	Measurement, WBG
Syntax	MEASUREMENT:MEAS<x>:SLType {VDS ID VGE VCE IC} MEASUREMENT:MEAS<x>:SLType?
Arguments	MEAS<x> specifies the measurement number. VDS specifies the start level source type as VDS. ID specifies the start level source type as ID.

VGE specifies the start level source type as VGE.

VCE specifies the start level source type as VCE.

IC specifies the start level source type as IC.

Examples `MEASUREMENT:MEAS1:SLTYPE ID` sets the start level source type to ID.
`MEASUREMENT:MEAS1:SLTYPE?` might return `:MEASUREMENT:MEAS1:SLTYPE ID`, indicating the start level source type is ID.

MEASUREMENT:MEAS<x>:SMOOTHINGFILTER

This command sets or queries the status of smoothing filter.

Group Measurement

Syntax `MEASUREMENT:MEAS<x>:SMOOTHINGFILTER <NR1>`

Arguments `MEAS<x>` specifies the measurement number.
`<NR1>` sets the value to 1 or 0. 1 enables smoothing filter and 0 disables it.

Examples `MEASUREMENT:MEAS1:SMOOTHINGFILTER 1` sets smoothing filter to ON.
`MEASUREMENT:MEAS1:SMOOTHINGFILTER?` might return `:MEASUREMENT:MEAS1:SMOOTHINGFILTER 1`, indicating the smoothing filter is ON.

MEASUREMENT:MEAS<x>:SOURCE

This command sets or queries local input source.

Group Measurement, IMDA

Syntax `MEASUREMENT:MEAS<x>:SOURCE {CH<x>|MATH<x>|REF<x>}`

Arguments `MEAS<x>` specifies the measurement number.
`CH<x>` specifies an analog channel as source.
`MATH<x>` specifies a math channel as source.

REF<x> specifies a reference waveform as the source.

Examples MEASUREMENT:MEAS1:SOURCE CH3 sets the local input source to channel 3.
 MEASUREMENT:MEAS1:SOURCE? might return :MEASUREMENT:MEAS1:SOURCE CH2 indicating the local input source is channel 2.

MEASUREMENT:MEAS<x>:SOURCE<x>

This command sets or queries the measurement source. The measurement number and source are specified by x.

Group Measurement

Syntax MEASUREMENT:MEAS<x>:SOURCE<x>
 MEASUREMENT:MEAS<x>:SOURCE<x>?

Arguments MEAS<x> specifies the measurement number.
 SOURCE<x> specifies the source number.

Examples MEASUREMENT:MEAS1:SOURCE CH1 sets the source for measurement 1 to channel 1.
 MEASUREMENT:MEAS1:SOURCE? might return :MEASUREMENT:MEAS1:SOURCE CH1 indicating the measurement source is channel 1.

MEASUREMENT:MEAS<x>:SPAN<x>VAL

This command sets or returns the span value for PSIJ measurement.

Conditions Requires option 5-DPM (5 Series MSO instruments) or 6-DPM (6 Series MSO instrument)

Group DPM

Syntax MEASUREMENT:MEAS<x>:SPAN<x>VAL <NR3>
 MEASUREMENT:MEAS<x>:SPAN<x>VAL?

Arguments	MEAS<x> specifies the measurement number. SPAN<x> specifies the span number. <NR3> specifies the span value.
Examples	MEASUREMENT:MEAS1:SPAN1VAL 100.00E+6 sets the span value to 100.00E+6. MEASUREMENT:MEAS1:SPAN1VAL? might return :MEASUREMENT:MEAS1:SPAN1VAL 100.00E+6, indicating the span value is 100.00E+6.

MEASUREMENT:MEAS<x>:SRATE

This command sets or queries the symbol rate for the RRC filter in the measurement. The measurement number is specified by x.

Group	Measurement
Syntax	MEASUREMENT:MEAS<x>:SRATE <NR3> MEASUREMENT:MEAS<x>:SRATE?
Related Commands	MEASUREMENT:MEAS<x>:FTYPE
Arguments	<NR3> sets the symbol rate. The default is 3.84e6 and the valid range is 1.0 to 5.0e9.
Examples	MEASUREMENT:MEAS1:SRATE 3.84e6 sets the symbol rate to 3.84e6. MEASUREMENT:MEAS1:SRATE? might return :MEASUREMENT:MEAS1:SRATE 3.84e6 indicating the symbol rate is 3.84e6.

MEASUREMENT:MEAS<x>:SRHO

This command enables or disables the rho waveform for TDR measurement. The measurement number is specified by x.

Group	Measurement
--------------	-------------

Syntax	MEASUREMENT:MEAS<x>:SRHO {ON OFF} MEASUREMENT:MEAS<x>:SRHO?
Arguments	ON specifies that rho waveform is enabled for TDR measurement. OFF specifies that rho waveform is disabled for TDR measurement.
Examples	MEASUREMENT:MEAS1:SRHO ON enables rho waveform. MEASUREMENT:MEAS1:SRHO? might return :MEASUREMENT:MEAS1:SRHO OFF indicating rho waveform is disabled.

MEASUREMENT:MEAS<x>:SSC:NOMINALFREQ

This command sets or queries the user-defined frequency for the measurement when the measurement type is SSC. The measurement number is specified by x.

Group	Measurement
Syntax	MEASUREMENT:MEAS<x>:SSC:NOMINALFREQ <NR3> MEASUREMENT:MEAS<x>:SSC:NOMINALFREQ?
Arguments	MEAS<x> specifies the measurement number. <NR3> is the user-defined nominal frequency type for SSC configurations.
Examples	MEASUREMENT:MEAS1:SSC:NOMINALFREQ 2.0E+9 sets the frequency to 2.0 GHz. MEASUREMENT:MEAS1:SSC:NOMINALFREQ? might return :MEASUREMENT:MEAS1:SSC:NOMINALFREQ 2.5000E+9 indicating the frequency is 2.5 GHz.

MEASUREMENT:MEAS<x>:SSC:NOMINALFREQ:SELECTIONTYPE

This command sets or queries the frequency detection type for the measurement when the measurement type is SSC. The measurement number is specified by x.

Group	Measurement
--------------	-------------

Syntax `MEASUREMENT:MEAS<x>:SSC:NOMINALFREQ:SELECTIONTYPE`
 `{AUTO|MANUAL}`
 `MEASUREMENT:MEAS<x>:SSC:NOMINALFREQ:SELECTIONTYPE?`

Arguments `MEAS<x>` specifies the measurement number.
 `AUTO` automatically sets the detection type.
 `MANUAL` specifies the manual detection type.

Examples `MEASUREMENT:MEAS1:SSC:NOMINALFREQ:SELECTIONTYPE AUTO` specifies
 the auto-detection type.

 `MEASUREMENT:MEAS1:SSC:NOMINALFREQ:SELECTIONTYPE?` might
 return `:MEASUREMENT:MEAS1:SSC:NOMINALFREQ:SELECTIONTYPE AUTO`
 indicating the auto-detection type is selected.

MEASUREMENT:MEAS<x>:SSDIRECTION

This command sets or returns the start search direction for measurement. The measurement number is specified by `x`.

Conditions Requires WBG-DPT License.

Group Wide Bandgap Analysis

Syntax `MEASUREMENT:MEAS<x>:SSDIRECTION {FORWARD|BACKWARD}`
 `MEASUREMENT:MEAS<x>:SSDIRECTION?`

Arguments `FORWARD` specifies the start search direction for measurement as forward.
 `BACKWARD` specifies the start search direction for measurement as backward.

Examples `MEASUREMENT:MEAS1:SSDIRECTION FORWARD` specifies the start search
 direction for measurement as forward.

 `MEASUREMENT:MEAS1:SSDIRECTION?` might return
 `:MEASUREMENT:MEAS1:SSDIRECTION FORWARD` indicating the start search
 direction for measurement is forward.

MEASUREMENT:MEAS<x>:STATUS? (Query Only)

This command returns the pass fail status, if applicable, for the selected measurement. Measurements are specified by x.

Group Measurement

Syntax MEASUREMENT:MEAS<x>:STATUS?

Related Commands

- [ACTONEVENT:ENABLE](#)
- [ACTONEVENT:MEASUREMENT:ACTION:SAVEIMAGE:STATE](#)
- [ACTONEVENT:MEASUREMENT:ACTION:SAVEWAVEFORM:STATE](#)
- [ACTONEVENT:MEASUREMENT:ACTION:SRQ:STATE](#)
- [ACTONEVENT:MEASUREMENT:ACTION:STOPACQ:STATE](#)

Arguments

- PASS specifies that the user specified measurement limit has not been violated.
- FAIL specifies that the user specified measurement limit has been violated.

Examples MEASUREMENT:MEAS1:STATUS? might return :MEASUREMENT:MEAS1:STATUS
PASS indicating that the user specified measurement limit has not been violated.

MEASUREMENT:MEAS<x>:STLABs

This command sets or returns the value for the stop level in absolute.

Conditions Requires a WBG-DPT license.

Group Measurement, WBG

Syntax MEASUREMENT:MEAS<x>:STLABs <NR3>
MEASUREMENT:MEAS<x>:STLABs?

Arguments

- MEAS<x> specifies the measurement number.
- <NR3> specifies the value for the stop level in absolute.

Examples `MEASUREMENT:MEAS1:STLABS 5.0000` sets the value for the stop level in absolute to 5.

`MEASUREMENT:MEAS1:STLABS 5.0000?` might return
`:MEASUREMENT:MEAS1:STLABS 5.0000`, indicating the value for the stop level in absolute is 5.

MEASUREMENT:MEAS<x>:STLPct

This command sets or returns the value for the stop level in percentage.

Conditions Requires a WBG-DPT license.

Group Measurement, WBG

Syntax `MEASUREMENT:MEAS<x>:STLPct <NR3>`
`MEASUREMENT:MEAS<x>:STLPct?`

Arguments `MEAS<x>` specifies the measurement number.
`<NR3>` specifies the value for the stop level in percentage

Examples `MEASUREMENT:MEAS1:STLPct 10.0000E-3` sets the value for the stop level in percentage to 10.0000E-3.

`MEASUREMENT:MEAS1:STLPct?` might return `:MEASUREMENT:MEAS1:STLPct 10.0000E-3`, indicating the value for the stop level in percentage is 10.0000E-3.

MEASUREMENT:MEAS<x>:STLTYpe

This command sets or returns the stop level source type.

Conditions Requires a WBG-DPT license.

Group Measurement, WBG

Syntax `MEASUREMENT:MEAS<x>:STLTYpe {VDS|ID|VGE|VCE|IC}`
`MEASUREMENT:MEAS<x>:STLTYpe?`

Arguments	<p>MEAS<x> specifies the measurement number.</p> <p>VDS specifies the stop level source type as VDS.</p> <p>ID specifies the stop level source type as ID.</p> <p>VGE specifies the stop level source type as VGE.</p> <p>VCE specifies the stop level source type as VCE.</p> <p>IC specifies the stop level source type as IC.</p>
Examples	<p>MEASUREMENT:MEAS1:SLTYPE ID sets the stop level source type to ID.</p> <p>MEASUREMENT:MEAS1:SLTYPE? might return :MEASUREMENT:MEAS1:SLTYPE ID, indicating the stop level source type is ID.</p>

MEASUREMENT:MEAS<x>:STSDIRECTION

This command sets or returns the stop search direction for measurement. The measurement number is specified by x.

Conditions	Requires WBG-DPT License.
Group	Wide Bandgap Analysis
Syntax	<pre>MEASUREMENT:MEAS<x>:STSDIRECTION {FORWARD BACKWARD} MEASUREMENT:MEAS<x>:STSDIRECTION?</pre>
Arguments	<p>FORWARD specifies the stop search direction for measurement as forward.</p> <p>BACKWARD specifies the stop search direction for measurement as backward.</p>
Examples	<p>MEASUREMENT:MEAS1:STSDIRECTION FORWARD specifies the stop search direction for measurement as forward.</p> <p>MEASUREMENT:MEAS1:STSDIRECTION? might return :MEASUREMENT:MEAS1:STSDIRECTION FORWARD indicating the stop search direction for measurement is forward.</p>

MEASUREMENT:MEAS<x>:STYPE

This command sets or queries the source type.

Group	Measurement, IMDA
Syntax	MEASUREMENT:MEAS<x>:SType {VOLTage CURRENT DIFFERENTIAL SINGLE} MEASUREMENT:MEAS<x>:SType?
Arguments	MEAS<x> specifies the measurement number. VOLTage sets source type as Voltage. CURRENT sets source type as Current. DIFFERENTIAL sets source type as Differential. SINGLE sets source type as Single.
Examples	MEASUREMENT:MEAS1:SType VOLTage sets source type as Voltage. MEASUREMENT:MEAS1:SType? might return MEASUREMENT:MEAS1:SType VOLTage, indicating that the sets source type is Voltage.

MEASUREMENT:MEAS<x>:SUBGROUP:RESULTS:ALLAcqs:MAXimum? (Query Only)

This query returns the maximum value of the measurement specified by the string, for all acquisitions.

Conditions	Requires option 5-DPM (5 Series MSO instruments) or 6-DPM (6 Series MSO instrument)
Group	DPM, Measurement
Syntax	MEASUREMENT:MEAS<x>:SUBGROUP:RESULTS:ALLAcqs:MAXimum? <Qstring>
Arguments	<Qstring> = INPUT OUTPUT1 OUTPUT2 OUTPUT3 OUTPUT4 OUTPUT5 OUTPUT6 OUTPUT7 RAIL1DPMOVERSHOOT RAIL1DPMUNDERSHOOT RAIL1FREQUENCY RAIL1PK2PK RAIL1RMS RAIL1RMSFULL RAIL2FREQUENCY RAIL2PK2PK RAIL2RMS RAIL2RMSFULL RAIL3FREQUENCY RAIL3PK2PK RAIL3RMS RAIL3RMSFULL RAIL4FREQUENCY RAIL4PK2PK RAIL4RMS RAIL4RMSFULL RAIL5FREQUENCY RAIL5PK2PK RAIL5RMS RAIL5RMSFULL RAIL6FREQUENCY

|RAIL6PK2PK |RAIL6RMS |RAIL6RMSFULL |RAIL7DPMOVERSHOOT
 |RAIL7DPMUNDERSHOOT |RAIL7FREQUENCY |RAIL7PK2PK
 |RAIL7RMS |RAIL7RMSFULL| TIE | TJBER | RJdd | DJdd | PJ | DDJ | DCD
 | WIDTHBER

Examples MEASUREMENT:MEAS1:SUBGROUP:RESULTS:ALLAcqs:MAXimum? "INPUT"
 returns the maximum value of measurement INPUT, for all acquisitions.

MEASUREMENT:MEAS<x>:SUBGROUP:RESULTS:ALLAcqs:MEAN? (Query Only)

This query returns the mean value of the measurement specified by the string, for all acquisitions.

Conditions Requires option 5-DPM (5 Series MSO instruments) or 6-DPM (6 Series MSO instrument)

Group DPM, Measurement

Syntax MEASUREMENT:MEAS<x>:SUBGROUP:RESULTS:ALLAcqs:MEAN? <QString>

Arguments <QString> = INPUT|OUTPUT1|OUTPUT2|OUTPUT3|OUTPUT4|OUTPUT5|
 OUTPUT6|OUTPUT7| RAIL1DPMOVERSHOOT|RAIL1DPMUNDERSHOOT
 |RAIL1FREQUENCY |RAIL1PK2PK |RAIL1RMS
 |RAIL1RMSFULL|RAIL2FREQUENCY |RAIL2PK2PK |RAIL2RMS
 |RAIL2RMSFULL |RAIL3FREQUENCY |RAIL3PK2PK
 |RAIL3RMS|RAIL3RMSFULL |RAIL4FREQUENCY |RAIL4PK2PK
 |RAIL4RMS |RAIL4RMSFULL |RAIL5FREQUENCY
 |RAIL5PK2PK|RAIL5RMS |RAIL5RMSFULL |RAIL6FREQUENCY
 |RAIL6PK2PK |RAIL6RMS |RAIL6RMSFULL |RAIL7DPMOVERSHOOT
 |RAIL7DPMUNDERSHOOT |RAIL7FREQUENCY |RAIL7PK2PK
 |RAIL7RMS |RAIL7RMSFULL |TIE |TJBER |RJdd |DJdd |PJ |DDJ |DCD
 |WIDTHBER

Examples MEASUREMENT:MEAS1:SUBGROUP:RESULTS:ALLAcqs:MEAN? "RAIL1DPMOVERSHOOT"
 returns the mean value of measurement RAIL1DPMOVERSHOOT, for all acquisitions.

MEASUREMENT:MEAS<x>:SUBGROUP:RESULTS:ALLAcqs:MINimum? (Query Only)

This query returns the minimum value of the measurement specified by the string, for all acquisitions.

Conditions	Requires option 5-DPM (5 Series MSO instruments) or 6-DPM (6 Series MSO instrument)
Group	DPM, Measurement
Syntax	MEASUREMENT:MEAS<x>:SUBGROUP:RESULTS:ALLAcqs:MINimum? <QString>
Arguments	<QString> = INPUT OUTPUT1 OUTPUT2 OUTPUT3 OUTPUT4 OUTPUT5 OUTPUT6 OUTPUT7 RAIL1DPMOVERSHOOT RAIL1DPMUNDERSHOOT RAIL1FREQUENCY RAIL1PK2PK RAIL1RMS RAIL1RMSFULL RAIL2FREQUENCY RAIL2PK2PK RAIL2RMS RAIL2RMSFULL RAIL3FREQUENCY RAIL3PK2PK RAIL3RMS RAIL3RMSFULL RAIL4FREQUENCY RAIL4PK2PK RAIL4RMS RAIL4RMSFULL RAIL5FREQUENCY RAIL5PK2PK RAIL5RMS RAIL5RMSFULL RAIL6FREQUENCY RAIL6PK2PK RAIL6RMS RAIL6RMSFULL RAIL7DPMOVERSHOOT RAIL7DPMUNDERSHOOT RAIL7FREQUENCY RAIL7PK2PK RAIL7RMS RAIL7RMSFULL TIE TJBER RJdd DJdd PJ DDJ DCD WIDTHBER
Examples	MEASUREMENT:MEAS1:SUBGROUP:RESULTS:ALLAcqs:MINimum? "OUTPUT7" returns the minimum value of measurement OUTPUT7, for all acquisitions.

MEASUREMENT:MEAS<x>:SUBGROUP:RESULTS:ALLAcqs:PK2PK? (Query Only)

This query returns the peak-to-peak value of the measurement specified by the string, for all acquisitions.

Conditions	Requires option 5-DPM (5 Series MSO instruments) or 6-DPM (6 Series MSO instrument)
Group	DPM, Measurement

Syntax	<code>MEASurement:MEAS<x>:SUBGROUP:RESUlts:ALLAcqs:PK2PK?<QString></code>
Arguments	<code><QString> = INPUT OUTPUT1 OUTPUT2 OUTPUT3 OUTPUT4 OUTPUT5 OUTPUT6 OUTPUT7 RAIL1DPMOVERSHOOT RAIL1DPMUNDERSHOOT RAIL1FREQUENCY RAIL1PK2PK RAIL1RMS RAIL1RMSFULL RAIL2FREQUENCY RAIL2PK2PK RAIL2RMS RAIL2RMSFULL RAIL3FREQUENCY RAIL3PK2PK RAIL3RMS RAIL3RMSFULL RAIL4FREQUENCY RAIL4PK2PK RAIL4RMS RAIL4RMSFULL RAIL5FREQUENCY RAIL5PK2PK RAIL5RMS RAIL5RMSFULL RAIL6FREQUENCY RAIL6PK2PK RAIL6RMS RAIL6RMSFULL RAIL7DPMOVERSHOOT RAIL7DPMUNDERSHOOT RAIL7FREQUENCY RAIL7PK2PK RAIL7RMS RAIL7RMSFULL TIE TJBER RJdd DJdd PJ DDJ DCD WIDTHBER</code>
Examples	<code>MEASurement:MEAS1:SUBGROUP:RESUlts:ALLAcqs:PK2PK? "OUTPUT4"</code> returns the peak-to-peak value of measurement OUTPUT4, for all acquisitions.

MEASurement:MEAS<x>:SUBGROUP:RESUlts:ALLAcqs:POPulation? (Query Only)

This query returns the population value of the measurement specified by the string, for all acquisitions.

Conditions	Requires option 5-DPM (5 Series MSO instruments) or 6-DPM (6 Series MSO instrument)
Group	DPM, Measurement
Syntax	<code>MEASurement:MEAS<x>:SUBGROUP:RESUlts:ALLAcqs:POPulation?<QString></code>
Arguments	<code><QString> = INPUT OUTPUT1 OUTPUT2 OUTPUT3 OUTPUT4 OUTPUT5 OUTPUT6 OUTPUT7 RAIL1DPMOVERSHOOT RAIL1DPMUNDERSHOOT RAIL1FREQUENCY RAIL1PK2PK RAIL1RMS RAIL1RMSFULL RAIL2FREQUENCY RAIL2PK2PK RAIL2RMS RAIL2RMSFULL RAIL3FREQUENCY RAIL3PK2PK RAIL3RMS RAIL3RMSFULL RAIL4FREQUENCY RAIL4PK2PK RAIL4RMS RAIL4RMSFULL RAIL5FREQUENCY RAIL5PK2PK RAIL5RMS RAIL5RMSFULL RAIL6FREQUENCY RAIL6PK2PK RAIL6RMS RAIL6RMSFULL RAIL7DPMOVERSHOOT</code>

|RAIL7DPMUNDERSHOOT |RAIL7FREQUENCY |RAIL7PK2PK
 |RAIL7RMS |RAIL7RMSFULL |TIE |TJBER |RJdd |DJdd |PJ |DDJ |DCD
 |WIDTHBER

Examples `MEASUREMENT:MEAS1:SUBGROUP:RESULTS:ALLAcqs:POPulation? "RAIL1DPMUNDERSHOOT"`
 returns the population value of measurement RAIL1DPMUNDERSHOOT, for all acquisitions.

MEASUREMENT:MEAS<x>:SUBGROUP:RESULTS:ALLAcqs:STDDev? (Query Only)

This query returns the standard deviation value of the measurement specified by the string, for all acquisitions.

Conditions Requires option 5-DPM (5 Series MSO instruments) or 6-DPM (6 Series MSO instrument)

Group DPM, Measurement

Syntax `MEASUREMENT:MEAS<x>:SUBGROUP:RESULTS:ALLAcqs:STDDev? <Qstring>`

Arguments `<Qstring> = INPUT|OUTPUT1|OUTPUT2|OUTPUT3|OUTPUT4|OUTPUT5|OUTPUT6|OUTPUT7|RAIL1DPMOVERSHOOT|RAIL1DPMUNDERSHOOT|RAIL1FREQUENCY |RAIL1PK2PK |RAIL1RMS|RAIL1RMSFULL|RAIL2FREQUENCY |RAIL2PK2PK |RAIL2RMS|RAIL2RMSFULL |RAIL3FREQUENCY |RAIL3PK2PK |RAIL3RMS|RAIL3RMSFULL |RAIL4FREQUENCY |RAIL4PK2PK |RAIL4RMS |RAIL4RMSFULL |RAIL5FREQUENCY |RAIL5PK2PK|RAIL5RMS |RAIL5RMSFULL |RAIL6FREQUENCY |RAIL6PK2PK |RAIL6RMS |RAIL6RMSFULL |RAIL7DPMOVERSHOOT |RAIL7DPMUNDERSHOOT |RAIL7FREQUENCY |RAIL7PK2PK |RAIL7RMS |RAIL7RMSFULL |TIE |TJBER |RJdd |DJdd |PJ |DDJ |DCD |WIDTHBER`

Examples `MEASUREMENT:MEAS1:SUBGROUP:RESULTS:ALLAcqs:STDDev? "RAIL7PK2PK"`
 returns the standard deviation value of measurement RAIL7PK2PK, for all acquisitions.

MEASUREMENT:MEAS<x>:SUBGROUP:RESULTS:CURRENTACQ:MAXIMUM? (Query Only)

This query returns the maximum value of the measurement specified by the string, for the current acquisition.

Conditions Requires option 5-DPM (5 Series MSO instruments) or 6-DPM (6 Series MSO instrument)

Group DPM, Measurement

Syntax MEASUREMENT:MEAS<x>:SUBGROUP:RESULTS:CURRENTACQ:MAXIMUM? <QString>

Arguments <QString> = INPUT|OUTPUT1|OUTPUT2|OUTPUT3|OUTPUT4|OUTPUT5|OUTPUT6|OUTPUT7|RAIL1DPMOVERSHOOT|RAIL1DPMUNDERSHOOT|RAIL1FREQUENCY|RAIL1PK2PK|RAIL1RMS|RAIL1RMSFULL|RAIL2FREQUENCY|RAIL2PK2PK|RAIL2RMS|RAIL2RMSFULL|RAIL3FREQUENCY|RAIL3PK2PK|RAIL3RMS|RAIL3RMSFULL|RAIL4FREQUENCY|RAIL4PK2PK|RAIL4RMS|RAIL4RMSFULL|RAIL5FREQUENCY|RAIL5PK2PK|RAIL5RMS|RAIL5RMSFULL|RAIL6FREQUENCY|RAIL6PK2PK|RAIL6RMS|RAIL6RMSFULL|RAIL7DPMOVERSHOOT|RAIL7DPMUNDERSHOOT|RAIL7FREQUENCY|RAIL7PK2PK|RAIL7RMS|RAIL7RMSFULL|TIE|TJBER|RJdd|DJdd|PJ|DDJ|DCD|WIDTHBER

Examples MEASUREMENT:MEAS1:SUBGROUP:RESULTS:CURRENTACQ:MAXIMUM? "INPUT" returns the maximum value of measurement INPUT, for the current acquisition.

MEASUREMENT:MEAS<x>:SUBGROUP:RESULTS:CURRENTACQ:MEAN? (Query Only)

This query returns the mean value of the measurement specified by the string, for the current acquisition.

Conditions Requires option 5-DPM (5 Series MSO instruments) or option 5-IMDA (MSO58 and MSO56 instruments) or 6-DPM (6 Series MSO instrument)

Group DPM, Measurement, IMDA, WBG

Syntax MEASurement:MEAS<x>:SUBGROUP:RESUlts:CURRentacq:MEAN?
 <QString>

Arguments <QString> = INPUT |OUTPUT1 |OUTPUT2 |OUTPUT3 |OUTPUT4
 |OUTPUT5 |OUTPUT6 |OUTPUT7 |RAIL1DPMOVERSHOOT
 |RAIL1DPMUNDERSHOOT |RAIL1FREQUENCY |RAIL1PK2PK
 |RAIL1RMS |RAIL1RMSFULL |RAIL2FREQUENCY |RAIL2PK2PK
 |RAIL2RMS |RAIL2RMSFULL |RAIL3FREQUENCY |RAIL3PK2PK
 |RAIL3RMS |RAIL3RMSFULL |RAIL4FREQUENCY |RAIL4PK2PK
 |RAIL4RMS |RAIL4RMSFULL |RAIL5FREQUENCY |RAIL5PK2PK
 |RAIL5RMS |RAIL5RMSFULL |RAIL6FREQUENCY |RAIL6PK2PK
 |RAIL6RMS |RAIL6RMSFULL |RAIL7DPMOVERSHOOT
 |RAIL7DPMUNDERSHOOT |RAIL7FREQUENCY |RAIL7PK2PK
 |RAIL7RMS |RAIL7RMSFULL |L2LPH1VRMS |L2LPH1VCFactor
 |L2LPH1TruePwr |L2LPH1RePwr |L2LPH1AppPwr |L2LPH1PwrFactor
 |L2LPH1PhaseDiff |L2LPH1VPhase |L2LPH2VRMS |L2LPH2VCFactor
 |L2LPH2TruePwr |L2LPH2RePwr |L2LPH2AppPwr |L2LPH2PwrFactor
 |L2LPH2PhaseDiff |L2LPH2VPhase |L2LPH3VRMS |L2LPH3VCFactor
 |L2LPH3TruePwr |L2LPH3RePwr |L2LPH3AppPwr |L2LPH3PwrFactor
 |L2LPH3PhaseDiff |L2LPH3VPhase |L2NPH1VRMS |L2NPH1VCFactor
 |L2NPH1TruePwr |L2NPH1RePwr |L2NPH1AppPwr |L2NPH1PwrFactor
 |L2NPH1PhaseDiff |L2NPH1VPhase |L2NPH2VRMS |L2NPH2VCFactor
 |L2NPH2TruePwr |L2NPH2RePwr |L2NPH2AppPwr |L2NPH2PwrFactor
 |L2NPH2PhaseDiff |L2NPH2VPhase |L2NPH3VRMS |L2NPH3VCFactor
 |L2NPH3TruePwr |L2NPH3RePwr |L2NPH3AppPwr |L2NPH3PwrFactor
 |L2NPH3PhaseDiff |L2NPH3VPhase |PH1IRMS |PH1IPhase |PH1ICFactor
 |PH2IRMS |PH2IPhase |PH2ICFactor |PH3IRMS |PH3IPhase |PH3ICFactor
 |Frequency |L2LPH1F1Mag |L2LPH1F3Mag |L2LPH1THDF |L2LPH1THDR
 |L2LPH1RMS |L2LPH1IRMS |L2LPH1Status |L2LPH1HarmonicsNumber
 |L2LPH1Frequency |L2LPH1MagnitudeAbs |L2LPH1MagnitudePct
 |L2LPH1Phase |L2LPH1Limits |L2LPH1PassFail |L2LPH1Margin
 |L2LPH2F1Mag |L2LPH2F3Mag |L2LPH2THDF |L2LPH2THDR
 |L2LPH2RMS |L2LPH2IRMS |L2LPH2Status |L2LPH2HarmonicsNumber
 |L2LPH2Frequency |L2LPH2MagnitudeAbs |L2LPH2MagnitudePct
 |L2LPH2Phase |L2LPH2Limits |L2LPH2PassFail |L2LPH2Margin
 |L2LPH3F1Mag |L2LPH3F3Mag |L2LPH3THDF |L2LPH3THDR |L2LPH3RMS
 |L2LPH3IRMS |L2LPH3Status |L2LPH3HarmonicsNumber |L2LPH3Frequency
 |L2LPH3MagnitudeAbs |L2LPH3MagnitudePct |L2LPH3Phase |L2LPH3Limits
 |L2LPH3PassFail |L2LPH3Margin |L2NPH1F1Mag |L2NPH1F3Mag
 |L2NPH1THDF |L2NPH1THDR |L2NPH1RMS |L2NPH1IRMS
 |L2NPH1Status |L2NPH1HarmonicsNumber |L2NPH1Frequency
 |L2NPH1MagnitudeAbs |L2NPH1MagnitudePct |L2NPH1Phase|L2NPH1Limits
 |L2NPH1PassFail|L2NPH1Margin |L2NPH2F1Mag|L2NPH2F3Mag
 |L2NPH2THDF|L2NPH2THDR |L2NPH2RMS|L2NPH2IRMS
 |L2NPH2Status |L2NPH2HarmonicsNumber |L2NPH2Frequency
 |L2NPH2MagnitudeAbs |L2NPH2MagnitudePct |L2NPH2Phase|L2NPH2Limits
 |L2NPH2PassFail|L2NPH2Margin |L2NPH3F1Mag |L2NPH3F3Mag

|L2NPH3THDF |L2NPH3THDR |L2NPH3RMS |L2NPH3IRMS |L2NPH3Status
 |L2NPH3HarmonicsNumber |L2NPH3Frequency |L2NPH3MagnitudeAbs
 |L2NPH3MagnitudePct |L2NPH3Phase |L2NPH3Limits |L2NPH3PassFail
 |L2NPH3Margin |ORDER|PH1INPwr |PH1OUTPwr |PH1Efficiency |PH2INPwr
 |PH2OUTPwr |PH2Efficiency |TotalEfficiency |PH1LRIPRMS |PH1LRIPPK2PK
 |PH2LRIPRMS |PH2LRIPPK2PK |PH3LRIPRMS |PH3LRIPPK2PK
 |PH1SWRIPRMS |PH1SWRIPPK2PK |PH2SWRIPRMS |PH2SWRIPPK2PK
 |PH3SWRIPRMS |PH3SWRIPPK2PK |TruePwrSum |RePwrSum |AppPwrSum
 |InPwrSum |OutPwrSum |SPEED |ACCELERATION |DIRECTION |ANGLE
 |TORQUE |POWER |ELECPWR |MECHPWR |SYSTEMEFFICIENCY |EON
 |EOFF |TDON |TDOFF |startlevel |stoplevel |TRR |QRR |TA |TB |RSF |VPEAK
 |IPEAK |TR |ERR |TF |TON |TOFF |IRRM |DBYDT |fft |tiespectra |subspectra
 |beforetie |beforepj |beforeeyeheight |beforeeyewidth |reconst |aftertie |afterpj
 |aftereyeheight |aftereyewidth |freq |qoss |PH1TDD |PH2TDD |PH3TDD |TDT
 |zmean |cmean |lmean |TIE |TJBER |RJdd |DJdd |PJ |DDJ |DCD |WIDTHBER

Examples `MEASUREMENT:MEAS1:SUBGROUP:RESULTS:CURRENTACQ:MEAN? "RAIL1DPMOVERSHOOT"`
 returns the mean value of measurement RAIL1DPMOVERSHOOT, for the current acquisition.

MEASUREMENT:MEAS<x>:SUBGROUP:RESULTS:CURRENTACQ:MINIMUM? (Query Only)

This query returns the minimum value of the measurement specified by the string, for the current acquisition.

Conditions Requires option 5-DPM (5 Series MSO instruments) or 6-DPM (6 Series MSO instrument)

Group DPM, Measurement, WBG

Syntax `MEASUREMENT:MEAS<x>:SUBGROUP:RESULTS:CURRENTACQ:MINIMUM? <QString>`

Arguments `<QString> = INPUT|OUTPUT1|OUTPUT2|OUTPUT3|OUTPUT4|OUTPUT5|OUTPUT6|OUTPUT7|RAIL1DPMOVERSHOOT|RAIL1DPMUNDERSHOOT|RAIL1FREQUENCY |RAIL1PK2PK |RAIL1RMS|RAIL1RMSFULL|RAIL2FREQUENCY |RAIL2PK2PK |RAIL2RMS|RAIL2RMSFULL |RAIL3FREQUENCY |RAIL3PK2PK |RAIL3RMS|RAIL3RMSFULL |RAIL4FREQUENCY |RAIL4PK2PK |RAIL4RMS |RAIL4RMSFULL |RAIL5FREQUENCY |RAIL5PK2PK|RAIL5RMS |RAIL5RMSFULL |RAIL6FREQUENCY`

|RAIL6PK2PK |RAIL6RMS |RAIL6RMSFULL |RAIL7DPMOVERSHOOT
|RAIL7DPMUNDERSHOOT |RAIL7FREQUENCY |RAIL7PK2PK
|RAIL7RMS |RAIL7RMSFULL |SPEED |ACCELERATION |DIRECTION
|ANGLE |TORQUE |POWER |ELECPWR |MECHPWR |SYSTEMEFFICIENCY
|EON |EOFF |TDON |TDOFF |startlevel |stoplevel |TRR |QRR |TA |TB |RSF
|VPEAK |IPEAK |TR |ERR |TF |TON |TOFF |IRRM |DBYDT |fft |tiespectra
|subspectra |beforetie |beforepj |beforeeyeheight |beforeeyewidth |reconst
|aftertie |afterpj |aftereyeheight |aftereyewidth |freq |qoss |PH1TDD |PH2TDD
|PH3TDD |TDT |zmean |cmean |lmean |TIE |TJBER |RJdd |DJdd |PJ |DDJ |DCD
|WIDTHBER

Examples `MEASUREMENT:MEAS1:SUBGROUP:RESULTS:CURRENTACQ:MINIMUM? "OUTPUT7"`
returns the minimum value of measurement OUTPUT7, for the current acquisition.

MEASUREMENT:MEAS<x>:SUBGROUP:RESULTS:CURRENTACQ:PK2PK? (Query Only)

This query returns the peak-to-peak value of the measurement specified by the string, for the current acquisition.

Conditions Requires option 5-DPM (5 Series MSO instruments) or 6-DPM (6 Series MSO instrument)

Group DPM, Measurement

Syntax `MEASUREMENT:MEAS<x>:SUBGROUP:RESULTS:CURRENTACQ:PK2PK?`
<Qstring>

Arguments <Qstring> = INPUT|OUTPUT1|OUTPUT2|OUTPUT3|OUTPUT4|OUTPUT5|
OUTPUT6|OUTPUT7| RAIL1DPMOVERSHOOT|RAIL1DPMUNDERSHOOT
|RAIL1FREQUENCY |RAIL1PK2PK |RAIL1RMS
|RAIL1RMSFULL|RAIL2FREQUENCY |RAIL2PK2PK |RAIL2RMS
|RAIL2RMSFULL |RAIL3FREQUENCY |RAIL3PK2PK
|RAIL3RMS|RAIL3RMSFULL |RAIL4FREQUENCY |RAIL4PK2PK
|RAIL4RMS |RAIL4RMSFULL |RAIL5FREQUENCY
|RAIL5PK2PK|RAIL5RMS |RAIL5RMSFULL |RAIL6FREQUENCY
|RAIL6PK2PK |RAIL6RMS |RAIL6RMSFULL |RAIL7DPMOVERSHOOT
|RAIL7DPMUNDERSHOOT |RAIL7FREQUENCY |RAIL7PK2PK
|RAIL7RMS |RAIL7RMSFULL |TIE |TJBER |RJdd |DJdd |PJ |DDJ |DCD
|WIDTHBER

Examples `MEASUREMENT:MEAS1:SUBGROUP:RESULTS:CURRENTACQ:PK2PK? "OUTPUT4"`
 returns the peak-to-peak value of measurement OUTPUT4, for the current acquisition.

MEASUREMENT:MEAS<x>:SUBGROUP:RESULTS:CURRENTACQ:POPULATION? (Query Only)

This query returns the population value of the measurement specified by the string, for the current acquisition.

Conditions Requires option 5-DPM (5 Series MSO instruments) or 6-DPM (6 Series MSO instrument)

Group DPM, Measurement

Syntax `MEASUREMENT:MEAS<x>:SUBGROUP:RESULTS:CURRENTACQ:POPULATION?
 <QString>`

Arguments `<QString> = INPUT|OUTPUT1|OUTPUT2|OUTPUT3|OUTPUT4|OUTPUT5|
 OUTPUT6|OUTPUT7|RAIL1DPMOVERSHOOT|RAIL1DPMUNDERSHOOT
 |RAIL1FREQUENCY |RAIL1PK2PK |RAIL1RMS
 |RAIL1RMSFULL|RAIL2FREQUENCY |RAIL2PK2PK |RAIL2RMS
 |RAIL2RMSFULL |RAIL3FREQUENCY |RAIL3PK2PK
 |RAIL3RMS|RAIL3RMSFULL |RAIL4FREQUENCY |RAIL4PK2PK
 |RAIL4RMS |RAIL4RMSFULL |RAIL5FREQUENCY
 |RAIL5PK2PK|RAIL5RMS |RAIL5RMSFULL |RAIL6FREQUENCY
 |RAIL6PK2PK |RAIL6RMS |RAIL6RMSFULL |RAIL7DPMOVERSHOOT
 |RAIL7DPMUNDERSHOOT |RAIL7FREQUENCY |RAIL7PK2PK
 |RAIL7RMS |RAIL7RMSFULL |TIE |TJBER |RJdd |DJdd |PJ |DDJ |DCD
 |WIDTHBER`

Examples `MEASUREMENT:MEAS1:SUBGROUP:RESULTS:CURRENTACQ:POPULATION? "RAIL1DPMU`
 returns the population value of measurement RAIL1DPMUNDERSHOOT, for the current acquisition.

MEASUREMENT:MEAS<x>:SUBGROUP:RESULTS:CURRENTACQ:STDDDEV? (Query Only)

This query returns the standard deviation value of the measurement specified by the string, for the current acquisition.

Conditions	Requires option 5-DPM (5 Series MSO instruments) or 6-DPM (6 Series MSO instrument)
Group	DPM, Measurement
Syntax	MEASUREMENT:MEAS<x>:SUBGROUP:RESULTS:CURRENTACQ:STDDDev? <QString>
Arguments	<QString> = INPUT OUTPUT1 OUTPUT2 OUTPUT3 OUTPUT4 OUTPUT5 OUTPUT6 OUTPUT7 RAIL1DPMOVERSHOOT RAIL1DPMUNDERSHOOT RAIL1FREQUENCY RAIL1PK2PK RAIL1RMS RAIL1RMSFULL RAIL2FREQUENCY RAIL2PK2PK RAIL2RMS RAIL2RMSFULL RAIL3FREQUENCY RAIL3PK2PK RAIL3RMS RAIL3RMSFULL RAIL4FREQUENCY RAIL4PK2PK RAIL4RMS RAIL4RMSFULL RAIL5FREQUENCY RAIL5PK2PK RAIL5RMS RAIL5RMSFULL RAIL6FREQUENCY RAIL6PK2PK RAIL6RMS RAIL6RMSFULL RAIL7DPMOVERSHOOT RAIL7DPMUNDERSHOOT RAIL7FREQUENCY RAIL7PK2PK RAIL7RMS RAIL7RMSFULL TIE TJBER RJdd DJdd PJ DDJ DCD WIDTHBER
Examples	MEASUREMENT:MEAS1:SUBGROUP:RESULTS:CURRENTACQ:STDDDev? "RAIL7PK2PK" returns the standard deviation value of measurement RAIL7PK2PK, for the current acquisition.

MEASUREMENT:MEAS<x>:SUNITS

This command sets or queries the speed units for the specific measurement.

Conditions	IMDA-MECH license on 5 and 6 Series MSO instrument.
Group	Measurement, IMDA
Syntax	MEASUREMENT:MEAS<x>:SUNITS {RPM HZ} MEASUREMENT:MEAS<x>:SUNITS?
Arguments	MEAS<x> specifies the measurement number. RPM defines the speed measurement units as RPM. HZ defines the speed measurement units as HZ.

Examples `MEASUREMENT:MEAS1:SUNITS HZ` sets the speed measurement units as HZ.
`MEASUREMENT:MEAS1:SUNITS?` might return `MEASUREMENT:MEAS1:SUNITS HZ`, indicating that the speed measurement units is HZ.

MEASUREMENT:MEAS<x>:TCKAVG

This command sets or queries the average clock period value used in DDR measurements.

Group Measurement

Syntax `MEASUREMENT:MEAS<x>:TCKAVG <NR3>`
`MEASUREMENT:MEAS<x>:TCKAVG?`

Related Commands [MEASUREMENT:MEAS<x>:TIMINGMODE](#)

Arguments `MEAS<x>` specifies the measurement number.
`<NR3>` is a floating point number that represents the DDR average clock period in seconds.

Examples `MEASUREMENT:MEAS7:TCKAVG 2.5E-9` sets the average clock period value as 3.2 ns for measurement 7.
`MEASUREMENT:MEAS2:TCKAVG?` might return `MEASUREMENT:MEAS2:TCKAVG 2.0E-9` indicating that average clock period is set to 2.0 ns for measurement 2.

MEASUREMENT:MEAS<x>:TCONSTANT

This command sets or queries the measurement Torque Constant.

Conditions Requires IMDA-MECH license on MSO 5, 6, 6B series instruments.

Group IMDA

Syntax `MEASUREMENT:MEAS<x>:TCONSTANT <NR1>`
`MEASUREMENT:MEAS<x>:TCONSTANT?`

- Arguments** MEAS<x> specifies the measurement number.
NR1 specifies the current multiplier value of the measurement in the range of 0 to 100.
- Examples** MEASurement:MEAS7:TConstant 15.2 specifies the current multiplier value for measurement 7 as 15.2.
MEASurement:MEAS2:TConstant? might return
MEASurement:MEAS2:TConstant 15.2 , indicating the current multiplier value for measurement 2 is 15.2.

MEASUREMENT:MEAS<x>:TDRPreset (No Query Form)

This command executes the preset for TDR measurement.

- Group** Measurement
- Syntax** MEASurement:MEAS<x>:TDRPreset {EXECUTE}
- Arguments** MEAS<x> specifies the measurement number.
EXECUTE executes the preset for TDR measurement.
- Examples** :MEASurement:MEAS1:TDRPreset EXECUTE executes the preset for TDR measurement.

MEASUREMENT:MEAS<x>:TMETHOD

This command sets or queries the measurement torque method.

- Conditions** Requires IMDA-MECH license on MSO 5, 6, 6B series instruments.
- Group** IMDA
- Syntax** MEASurement:MEAS<x>:TMETHOD {SENSOR|CURRENT}
MEASurement:MEAS<x>:TMETHOD?
- Arguments** MEAS<x> specifies the measurement number.
SENSOR specifies the Torque Method as SENSOR.

CURRENT specifies the Torque Method as CURRENT.

- Examples** MEASurement:MEAS7:TMETHOD SENSOR specifies the Torque Method for measurement 7 as SENSOR.
- MEASurement:MEAS2:TMETHOD? might return
MEASurement:MEAS2:TMETHOD SENSOR, indicating the Torque Method for measurement 2 is SENSOR.

MEASUREMENT:MEAS<x>:TIMINGMODE

This command sets or queries the Timing mode for the specified DDR measurement.

Group Measurement

Syntax MEASUREMENT:MEAS<x>:TIMINGMODE
{EACHCLOCKCYCLE|TWOLOCKCYCLES}
MEASUREMENT:MEAS<x>:TIMINGMODE?

Related Commands [MEASUREMENT:MEAS<x>:TCKAVG](#)

Arguments MEAS<x> specifies the measurement number.

EACHCLOCKCYCLE sets the DDR Timing Mode to use each clock cycle at a time.

TWOLOCKCYCLES sets the DDR Timing Mode to use two cycles at a time.

Examples MEASUREMENT:MEAS1:TIMINGMODE EACHCLOCKCYCLE sets the Timing Mode to consider each clock cycle.

MEASUREMENT:MEAS1:TIMINGMODE? might return
MEASUREMENT:MEAS1:TIMINGMODE EACHCLOCKCYCLE, indicating that Timing Mode is set to EACHCLOCKCYCLE.

MEASUREMENT:MEAS<x>:TLEVEL

This command sets or queries whether histogram center is percentage relative to unit amplitude or an absolute value, for eye height measurement.

Group Measurement

Syntax `MEASUREMENT:MEAS<x>:TLEVEL {PERCENT|ABSOLUTE}`
`MEASUREMENT:MEAS<x>:TLEVEL?`

Arguments `MEAS<x>` specifies the measurement number.
`PERCENT` sets the histogram center as a percentage relative to unit amplitude.
`ABSOLUTE` sets the histogram center as an absolute value.

Examples `MEASUREMENT:MEAS1:TLEVEL PERCENT` sets the histogram center as a percentage relative to unit amplitude for measurement 1.
`MEASUREMENT:MEAS1:TLEVEL?` might return `:MEASUREMENT:MEAS1:TLEVEL PERCENT` indicating histogram center is set as a percentage relative to unit amplitude for measurement 1.

MEASUREMENT:MEAS<x>:TOEDGE

This command sets or queries the 'to edge' type for the measurement. The measurement number is specified by x.

Group Measurement

Syntax `MEASUREMENT:MEAS<x>:TOEDGE`
`{SAMEAS|OPPOSITEAS|RISE|FALL|BOTH}`
`MEASUREMENT:MEAS<x>:TOEDGE?`

Arguments `MEAS<x>` specifies the measurement number.
`FALL` specifies the falling edge of the waveform.
`RISE` specifies the rising edge of the waveform.
`BOTH` specifies both a rising and falling edge of the waveform.
`SAMEAS` specifies that both edges of the waveform are the same.
`OPPOSITEAS` specifies that the edges of the waveform are not the same.

Examples `MEASUREMENT:MEAS1:TOEDGE FALL` specifies the to edge is the falling edge of the waveform.
`MEASUREMENT:MEAS1:TOEDGE?` might return `:MEASUREMENT:MEAS1:TOEDGE SAMEAS` indicating that both edges of the waveform are the same.

MEASUREMENT:MEAS<x>:TOEDGESEARCHDIRect

This command sets or queries the to edge search direction for the measurement. The measurement number is specified by x.

Group	Measurement
Syntax	MEASUREMENT:MEAS<x>:TOEDGESEARCHDIRect {FORWARD BACKWARD} MEASUREMENT:MEAS<x>:TOEDGESEARCHDIRect?
Arguments	MEAS<x> specifies the measurement number. FORWARD specifies a forward search to the edge. BACKWARD specifies a backward search to the edge.
Examples	MEASUREMENT:MEAS1:TOEDGESEARCHDIRect FORWARD specifies a forward search to the edge. MEASUREMENT:MEAS1:TOEDGESEARCHDIRect? might return :MEASUREMENT:MEAS1:TOEDGESEARCHDIRECT FORWARD indicating the instrument will search in the forward direction for the to edge.

MEASUREMENT:MEAS<x>:TOSYMBOL:LOGIC2SOURCE

This command sets or queries the DDR digital measurement logic 1 source To Symbol.

Conditions	Requires option 6-DBDDR3. Requires a 6 Series MSO instrument.
Group	Measurement
Syntax	MEASUREMENT:MEAS<x>:TOSYMBOL:LOGIC2SOURCE {H L X} MEASUREMENT:MEAS<x>:TOSYMBOL:LOGIC2SOURCE?
Related Commands	MEASUREMENT:ADDMEAS
Arguments	MEAS<x> specifies the measurement number. H sets the logic source 1 To Symbol to H (High).

L sets the logic source 1 To Symbol to L (Low).

X sets the logic source 1 To Symbol to X (Don't care).

Examples `MEASUREMENT:MEAS1:TOSYMBOL:LOGIC2SOURCE H` sets the DDR digital measurement (DDRTRPMRS/DDRTRPACT/DDRTCKSRE/DDRTCKSRX) logic 1 source To Symbol to High.

`MEASUREMENT:MEAS1:TOSYMBOL:LOGIC2SOURCE?` might return `MEASUREMENT:MEAS1::TOSYMBOL:LOGIC2SOURCE H`, indicating that the DDR digital measurement (DDRTRPMRS/DDRTRPACT/DDRTCKSRE/DDRTCKSRX) To Symbol is set to High.

MEASUREMENT:MEAS<x>:TOSYMBOL:LOGIC3SOURCE

This command sets or queries the DDR digital measurement logic 2 source To Symbol.

Conditions Requires option 6-DBDDR3.

Requires a 6 Series MSO instrument.

Group Measurement

Syntax `MEASUREMENT:MEAS<x>:TOSYMBOL:LOGIC3SOURCE {H|L|X}`
`MEASUREMENT:MEAS<x>:TOSYMBOL:LOGIC3SOURCE?`

Related Commands [MEASUREMENT:ADDMEAS](#)

Arguments `MEAS<x>` specifies the measurement number.

H sets the logic source 2 To Symbol to H (High).

L sets the logic source 2 To Symbol to L (Low).

X sets the logic source 2 To Symbol to X (Don't care).

Examples `MEASUREMENT:MEAS1:TOSYMBOL:LOGIC3SOURCE H` sets the DDR digital measurement (DDRTRPMRS/DDRTRPACT/DDRTCKSRE/DDRTCKSRX) logic 1 source To Symbol to High.

`MEASUREMENT:MEAS1:TOSYMBOL:LOGIC3SOURCE?` might return `MEASUREMENT:MEAS1::TOSYMBOL:LOGIC3SOURCE`

H, indicating that the DDR digital measurement (DDRTRPMRS/DDRTRPACT/DDRTCKSRE/DDRTCKSRX) To Symbol is set to High.

MEASUREMENT:MEAS<x>:TOSYMBOL:LOGIC4SOURCE

This command sets or queries the DDR digital measurement logic 3 source To Symbol.

Conditions	Requires option 6-DBDDR3. Requires a 6 Series MSO instrument.
Group	Measurement
Syntax	MEASUREMENT:MEAS<x>:TOSYMBOL:LOGIC4SOURCE {H L X} MEASUREMENT:MEAS<x>:TOSYMBOL:LOGIC4SOURCE?

Related Commands [MEASUREMENT:ADDMEAS](#)

Arguments	MEAS<x> specifies the measurement number. H sets the logic source 3 To Symbol to H (High). L sets the logic source 3 To Symbol to L (Low). X sets the logic source 3 To Symbol to X (Don't care).
Examples	MEASUREMENT:MEAS1:TOSYMBOL:LOGIC4SOURCE H sets the DDR digital measurement (DDRTRPMRS/DDRTRPACT/DDRTCKSRE/DDRTCKSRX) logic 1 source To Symbol to High. MEASUREMENT:MEAS1:TOSYMBOL:LOGIC4SOURCE? might return MEASUREMENT:MEAS1::TOSYMBOL:LOGIC4SOURCE H, indicating that the DDR digital measurement (DDRTRPMRS/DDRTRPACT/DDRTCKSRE/DDRTCKSRX) To Symbol is set to High.

MEASUREMENT:MEAS<x>:TOSYMBOL:LOGIC5SOURCE

This command sets or queries the DDR digital measurement logic 4 source To Symbol.

Conditions	Requires option 6-DBDDR3. Requires a 6 Series MSO instrument.
Group	Measurement
Syntax	MEASUREMENT:MEAS<x>:TOSYMBOL:LOGIC5SOURCE {H L X} MEASUREMENT:MEAS<x>:TOSYMBOL:LOGIC5SOURCE?
Related Commands	MEASUREMENT:ADDMEAS
Arguments	MEAS<x> specifies the measurement number. H sets the logic source 4 To Symbol to H (High). L sets the logic source 4 To Symbol to L (Low). X sets the logic source 4 To Symbol to X (Don't care).
Examples	MEASUREMENT:MEAS1:TOSYMBOL:LOGIC5SOURCE H sets the DDR digital measurement (DDRTRPMRS/DDRTRPACT/DDRTCKSRE/DDRTCKSRX) logic 1 source To Symbol to High. MEASUREMENT:MEAS1:TOSYMBOL:LOGIC5SOURCE? might return MEASUREMENT:MEAS1::TOSYMBOL:LOGIC5SOURCE H, indicating that the DDR digital measurement (DDRTRPMRS/DDRTRPACT/DDRTCKSRE/DDRTCKSRX) To Symbol is set to High.

MEASUREMENT:MEAS<x>:TOSYMBOL:MEASUREAT

This command sets or queries the DDR digital measurement ToSymbol MeasureAT value.

Conditions	Requires option 6-DBDDR3. Requires a 6 Series MSO instrument.
Group	Measurement
Syntax	MEASUREMENT:MEAS<x>:TOSYMBOL:MEASUREAT {Start Stop ClockEdge} MEASUREMENT:MEAS<x>:TOSYMBOL:MEASUREAT?

Related Commands [MEASUrement:ADDMEAS](#)

Arguments MEAS<x> specifies the measurement number.
 Start sets the ToSymbol MeasureAT to Start.
 Stop sets the ToSymbol MeasureAT to Stop.
 ClockEdge sets the sets the ToSymbol MeasureAT to ClockEdge.

Examples MEASUrement:MEAS1:ToSYmbol:MEASUREAT Start sets the DDR digital measurement (DDRTRPMRS/DDRTRPACT/DDRTCKSRE/DDRTCKSRX) ToSymbol MeasureAT value to Start.
 MEASUrement:MEAS1:ToSYmbol:MEASUREAT? might return the MEASUrement:MEAS1:ToSYmbol:MEASUREAT Stop, indicating that the DDR digital measurement (DDRTRPMRS/DDRTRPACT/DDRTCKSRE/DDRTCKSRX) ToSymbol MeasureAT value is set to Stop.

MEASUrement:MEAS<x>:TRANSition

This command sets or queries the transition edges flag for the measurement. The measurement number is specified by x.

Group Measurement

Syntax MEASUrement:MEAS<x>:TRANSition {<NR1>|OFF|ON}

Arguments <NR1> = 1, the measurement is computed on rising (if measurement type is rise time) or falling edges (if measurement type is fall time) following a double transition only. If it is set to 0, the measurement is computed on all rising (if measurement type is rise time) or falling (if measurement type is fall time) edges.
 OFF computes the measurement on all rising (if measurement type is rise time) or falling (if measurement type is fall time) edges.
 ON computes the measurement on rising (if measurement type is rise time) or falling edges (if measurement type is fall time) following a double transition only.

Examples MEASUrement:MEAS1:TRANSition 1 specifying the measurement is computed on rising (if measurement type is rise time) or falling edges (if measurement type is fall time) following a double transition only.

MEASUREMENT:MEAS1:TRANSITION? might return
:MEASUREMENT:MEAS1:TRANSITION 0 indicating the measurement is
computed on all rising (if measurement type is rise time) or falling (if
measurement type is fall time) edges.

MEASUREMENT:MEAS<x>:TYPE

This command sets or queries the measurement type for the measurement specified by x.

Group Measurement, IMDA, WBG

Syntax MEASUREMENT:MEAS<x>:TYPE {ACCOMMONMODE |ACPR |ACRMS
|AMPLITUDE |AREA |BASE |BITAMPLITUDE |BITHIGH |BITLOW
|BURSTWIDTH |COMMONMODE |CPOWER |DATARATE |DCD |DDJ
|DDRAOS |DDRAOSPRTCK |DDRAOSPERUI |DDRAUS |DDRAUSPRTCK
|DDRAUSPERUI |DDRHOIDDIFF |DDRSETUPDIFF |DDRTCHABS
|DDRTCHAVERAGE |DDRTCKAVERAGE |DDRTCLABS |DDRTCLAVERAGE
|DDRTERRMN |DDRTERRN |DDRTJITCC |DDRTJITDUTY |DDRTJITPER
|DDRTPST |DDRTRPRE |DDRTWPRE |DDRVIXAC |DDRTDQSK |DELAY
|DJ |DJDIRAC |DPMOVERSHOOT |DPMPST |DPMUNDERSHOOT
|DPMRIPPLE |DPMTURNOFFTIME |DPMTURNONTIME |EYEHIGH |EYELOW
|FALLSLEWRATE |FALLTIME |FREQUENCY |F2 |F4 |F8 |HIGH
|HEIGHT |HEIGHTBER |HIGHTIME |HOLD |IMDAANGLE |IMDADIRECTION
|IMDADQ0 |IMDAEFFICIENCY |IMDAHARMONICS |IMDAMECHPWR
|IMDAPOWERQUALITY |IMDASPEED |IMDASYSEFF |IMDATORQUE
|JITTERSUMMARY |J2 |J9 |LOW |LOWTIME |MAXIMUM |MEAN
|MINIMUM |NDUTY |NPERIOD |NPJ |NOVERSHOOT |NWIDTH |OBW
|PDUTTY |PERIOD |PHASE |PHASENOISE |PJ |PK2Pk |POVERSHOOT
|PWIDTH |QFACTOR |RISESLEWRATE |RISETIME |RJ |RJDIRAC
|RMS |SRJ |SSCFREQDEV |SSCMODRATE |SETUP |SKEW |TDR |TIE
|TIMEOUTSIDELEVEL |TJBER |TNRATIO |TOP |UNITINTERVAL
|VDIFFXOVR |WBGDDT |WBGDIODEDDT |WBGEOFF |WBGTON |WBGERR
|WBGPEAK |WBGIRRM |WBGQOSS |WBGQRR |WBGTDIFF |WBGTDON
|WBGTF |WBGTON |WBGTOFF |WBGTR |WBGTRR |WBGTD |WBGVPEAK
|WIDTH |WIDTHBER}
MEASUREMENT:MEAS<x>:TYPE?

Arguments ACCOMMONMODE AC Common Mode (Pk-Pk) is the peak-to-peak of the common mode voltage of two sources. This measurement is made across the entire record. This measurement requires the DJA option and is not available on a 4 Series MSO instrument.

ACPR (Adjacent Channel Power Ratio) is the amount of power that leaks into adjacent channels. This can be specified in terms of absolute power or a ratio of adjacent channel power to the main channel power, called adjacent channel power ratio (ACPR) or adjacent channel leakage ratio (ACLR).

ACRMS (AC RMS) is the true Root Mean Square of the data points, about the Mean. This measurement can be made across the entire record, or on each cycle in the record.

AMPLITUDE is the difference between the Top value and the Base value. This measurement can be made across the entire record, or on each cycle in the record.

$$\text{Amplitude} = \text{High} - \text{Low}$$

AREA is the area under the curve, calculated by integrating the data points. The area measured above ground is positive. The area measured below ground is negative. This measurement can be made across the entire record, or on each cycle in the record.

BASE is the most common data value below the midpoint of the waveform. This measurement can be made across the entire record, or on each cycle in the record.

BITAMPLITUDE (Bit Amplitude) is the difference between the amplitudes of the 1 bit and the 0 bit surrounding a transition. The amplitude is measured over a user specified portion at the center of the recovered unit interval. This measurement is made on each transition bit in the record (Mean) or across the entire record (Mode). This measurement requires the DJA option and is not available on a 4 Series MSO instrument.

BITHIGH (Bit High) is the amplitude of a 1 bit. The amplitude is measured over a user specified portion at the center of the recovered unit interval. This measurement is made on each high bit in the record (Mean) or across the entire record (Mode). This measurement requires the DJA option and is not available on a 4 Series MSO instrument.

BITLOW (Bit Low) is the amplitude of a 0 bit. The amplitude is measured over a user specified portion at the center of the recovered unit interval. This measurement is made on each high bit in the record (Mean) or across the entire record (Mode). This measurement requires the DJA option and is not available on a 4 Series MSO instrument.

BURSTWIDTH (Burst Width) is the duration of a series of adjacent crossings of the Mid reference level (R_M). Bursts are separated by a user-defined idle time (t_i). This measurement is made on each burst in the record.

COMMONMODE (DC Common Mode) is the arithmetic mean of the common mode voltage of two sources. This measurement is made across the entire record. This measurement requires the DJA option and is not available on a 4 Series MSO instrument.

CPOWER (Channel Power) is the measurement of integrated power within a specified channel bandwidth for a RF signal. The resulting channel power is an absolute power measurement.

DATARATE (Data Rate) is the reciprocal of Unit Interval. This measurement is made on each bit in the record.

DCD (duty cycle distortion) is the peak-to-peak amplitude of the component of the deterministic jitter correlated with the signal polarity. This measurement is made across the entire record. This measurement requires the DJA option and is not available on a 4 Series MSO instrument.

DDJ (data dependent jitter) is the peak-to-peak amplitude of the component of the deterministic jitter correlated with the data pattern in the waveform. This measurement is made across the entire record. This measurement requires the DJA option and is not available on a 4 Series MSO instrument.

DDRAOS (area above signal) is the total area of the signal above a specified reference level. This measurement is made across the entire record.

DDRAOSPERTCK (area over signal for tCK events) is the total area of the signal above a specified reference level calculated over consecutive tCK intervals. It is applicable to clock and address/command waveforms.

DDRAOSPERUI (area over signal for UI events) is the total area of the signal above a specified reference level calculated over consecutive unit intervals. It is applicable to data and data strobe waveforms.

DDRAUS (area under signal) is the total area of the signal below a specified reference level. This measurement is made across the entire record.

DDRAUSPERTCK (area under signal for tCK events) is the total area of the signal below a specified reference level calculated over consecutive tCK intervals. It is applicable to clock and address/command waveforms.

DDRAUSPERUI (area under signal for UI events) is the total area of the signal below a specified reference level calculated over consecutive unit intervals. It is applicable to data and data strobe waveforms.

DDRHOLDDIFF (hold difference) is the elapsed time between the specified edge of a single-ended clock waveform and the specified edge of a differential data waveform. The measurement uses the closest respective waveform edges that fall within the range limits. This measurement is made across the entire record.

DDRSETUPDIFF (setup difference) is the elapsed time between the specified edge of a single-ended clock waveform and when the specified edge of a differential data waveform crosses a specified level. The measurement uses the closest respective waveform edges that fall within the range limits. This measurement is made across the entire record.

DDRTCHABS (absolute high pulse width) is the absolute value of the high pulse width as measured from one rising edge to the next falling edge.

DDRTCHAVERAGE (average high pulse width) is the average value of the high pulse width as measured from one rising edge to the next falling edge, across 200 consecutive cycles. This measurement is made across the entire record.

DDRTCKAVERAGE (average clock period) is the average clock period calculated from rising edge to rising edge, across 200 consecutive cycles. This measurement is made across the entire record.

DDRTCLABS (absolute low pulse width) is the absolute value of the low pulse width as measured from a falling edge to the next rising edge. This measurement is made across the entire record.

DDRTCLAVERAGE (average low pulse width) is the average value of the low pulse width as measured from one falling edge to the next rising edge, across 200 consecutive cycles.

DDRTERRMN (cumulative error) is the cumulative error across multiple consecutive defined cycles from $t_{CK}(avg)$.

DDRTERRN (cumulative error) is the cumulative error across specified consecutive cycles from $t_{CK}(avg)$. In other words, this measures the time difference between the sum of the clock period from a 200 cycle window and n times $t_{CK}(avg)$.

DDRTJITCC (cycle to cycle jitter period) is the absolute difference in clock period between two consecutive clock cycles. This measurement is made across the entire record.

DDRTJITDUTY (half period jitter) is the largest elapsed time between t_{CH} and $t_{CH}(avg)$, and t_{CL} and $t_{CL}(avg)$, over 200 consecutive cycles.

DDRTJITPER (clock period jitter) is the largest deviation of any t_{CK} signal from $t_{CK}(avg)$. This measurement is made across the entire record.

DDRTPST (read/write burst postamble) is the width of the Read or Write burst postamble, measured from the last falling edge of the mid reference level to the start of an undriven state. This measurement is made across the entire record.

DDRTRPRE (read burst preamble) is the width of the Read burst preamble, measured from exiting tristate levels to the first driving edge of the differential strobe. This measurement is made across the entire record.

DDRTWPRE is the width of the Write burst preamble, measured from exiting tristate levels to the first driving edge of the differential strobe. This measurement is made across the entire record.

DDRVIXAC is the differential input cross-point voltage measured from the true state transition (and its complement) to a specified reference level, measured on a single-ended signal.

DDRTDQSCK is the strobe output access time, measured between the rising edge of the clock and before or after the differential strobe Read preamble time. Signal edges are determined by the mid-ref threshold level settings.

DELaY is the time between the specified Mid reference level (R_M) crossing on one source to a specified Mid reference level (R_M) crossing on a second source. This measurement is made on the first occurrence in the record.

DJ (deterministic jitter) is the peak-to-peak amplitude of all timing errors that exhibit deterministic behavior. This measurement is made across the entire record. This measurement requires the DJA option and is not available on a 4 Series MSO instrument.

DJDIRAC (dual-dirac deterministic jitter) is deterministic jitter based on a simplifying assumption that the histogram of all deterministic jitter can be modeled as a pair of equal-magnitude Dirac functions. This measurement is made across the entire record. This measurement requires the DJA option and is not available on a 4 Series MSO instrument.

DPMOVERSHOOT is the difference between Maximum and Top, divided by the amplitude. This measurement can be made across the entire record or on each cycle in the record at the specified reference voltage.

DPMPSTIJ is the Power Supply Induced Jitter. This measurement helps in suppressing the jitter in high speed signals (victim) induced from power rail signals (aggressor).

DPMUNDERSHOOT is the difference between Minimum and Base, divided by the amplitude. This measurement can be made across the entire record or on each cycle in the record at the specified reference voltage.

DPMRIPPLE is the RMS and peak-to-peak values of the output signal on the DC Rail.

DPMTURNOFFTIME is the time delay between load current going low to other rail outputs going low during power down.

DPMTURNONTIME is the time delay between load current going high to other rail outputs going high during power on

EYEHIGH (Eye High) is the amplitude of a high (1) bit measured at a user specified location within the recovered unit interval. This measurement is made on each high bit in the record. This measurement requires the DJA option and is not available on a 4 Series MSO instrument.

EYELOW (Eye Low) is the amplitude of a low (0) bit measured at a user specified location within the recovered unit interval. This measurement is made on each low bit in the record. This measurement requires the DJA option and is not available on a 4 Series MSO instrument.

FALLSLEWRATE (Falling Slew Rate) is the rate of change in voltage as an edge transitions from the Top reference level (R_T) to the Bottom reference level (R_B). This measurement is made on each cycle in the record.

FALLTIME (Fall Time) is the time required for an edge to fall from the Top reference level (R_T) to the Base reference level (R_B). This measurement is made on each cycle in the record.

FREQUENCY is the reciprocal of Period. This measurement is made on each cycle in the record.

F2 is the peak-to-peak amplitude of the periodic jitter occurring at a rate of Fb (data rate) divided by 2. This measurement is made across the entire record. This measurement requires the DJA option and is not available on a 4 Series MSO instrument.

F4 is the peak-to-peak amplitude of the periodic jitter occurring at a rate of Fb (data rate) divided by 4. This measurement is made across the entire record. This measurement requires the DJA option and is not available on a 4 Series MSO instrument.

F8 is the peak-to-peak amplitude of the periodic jitter occurring at a rate of Fb (data rate) divided by 8. This measurement is made across the entire record. This measurement requires the DJA option and is not available on a 4 Series MSO instrument.

HIGH (Eye High) is the amplitude of a high (1) bit measured at a user specified location within the recovered unit interval. This measurement is made on each high bit in the record.

HEIGHT (Eye Height) is the minimum vertical eye opening at the center of the recovered unit interval. This measurement is made across the entire record. This measurement requires the DJA option and is not available on a 4 Series MSO instrument.

HEIGHTBER (Eye Height@BER) is the predicted vertical eye opening that will be violated with a probability equal to the bit error rate. This measurement is made across the entire record. This measurement requires the DJA option and is not available on a 4 Series MSO instrument.

HIGH

HIGHTIME (High Time) is the time the signal remains above the Top reference level (R_T). This measurement is made on each cycle in the record.

HOLD (Hold Time) is the time between the specified Mid reference level crossing (R_M) on the Clock source to the closest specified Mid reference level (R_M) crossing on the Data source. This measurement is made on each specified Clock edge in the record.

IMDAANGLE (Angle) measures the phase angle. Configure QEI or Hall sensor to compute the angle measurement. Requires a IMDA-MECH License.

IMDADIRECTION (Direction) defines the direction of rotation of the motor. Set the direction A-B-C or A-C-B for Hall sensors and CW or CCW for QEI based on the motor configuration. Requires a IMDA-MECH License.

IMDADQ0 measures the DQ0 values of the phasor plot. This measurement requires options IMDA and IMDA-DQ0. Requires a IMDA-MECH License.

IMDAEFFICIENCY (Efficiency) measures the ratio of sum of output power(s) to input power for respective input and output Voltage and Current pairs. Note: the current release cannot support 3V and 3I pairs, since this requires 12 channels. We restrict to 2V and 2I which needs 8 scope channels. Requires a IMDA-MECH License.

IMDAHARMONICS (Harmonics) plots the signal amplitude at the fundamental line frequency and its harmonics and measures the RMS amplitude and Total Harmonic Distortion of the signal. Requires a IMDA-MECH License.

IMDAMECHPWR (Mechanical Power) measures the mechanical power of the motor drive system. It is determined by the Speed and Torque. It is measured in watts. Requires a IMDA-MECH License.

IMDAPOWERQUALITY (Power Quality) measures the Frequency and RMS values of the voltage and current, Crest Factors of the voltage and current, True Power (PTRUE), Reactive Power (PRE), Apparent Power (PAPP), Power Factor, and Phase Angle (θ) of the AC signal. Requires a IMDA-MECH License.

IMDASPEED (Speed) measures the speed and acceleration. Requires a IMDA-MECH License.

IMDASYSEFF (System Efficiency) measures the total efficiency of the motor drive system. Requires a IMDA-MECH License.

IMDATORQUE (Torque) measures the torque of the motor. Configure Sensor (analog) or Current method to measure the torque. Requires a IMDA-MECH License.

JITTERSUMMARY (Jitter Summary) is a group consisting of the following measurements: TIE, TJ@BER, Eye Width@BER, Eye Height@BER, RJ- $\delta\delta$, DJ- $\delta\delta$, PJ, DDJ, DcD, F/2, F/4, F/8. This measurement requires the DJA option and is not available on a 4 Series MSO instrument.

J2 is the total jitter at a bit error rate of $2.5e-3$ (TJ@ $2.5e-3$). This measurement is made across the entire record. This measurement requires the DJA option and is not available on a 4 Series MSO instrument.

J9 is the total jitter at a bit error rate of $2.5e-10$ (TJ@ $2.5e-10$). This measurement is made across the entire record. This measurement requires the DJA option and is not available on a 4 Series MSO instrument.

LOW (Eye Low) is the amplitude of a low (0) bit measured at a user specified location within the recovered unit interval. This measurement is made on each low bit in the record.

LOWTIME (Low Time) is the time the signal remains below the Base reference level (R_B). This measurement is made on each cycle in the record.

MAXimum is the maximum data point. This measurement can be made across the entire record, or on each cycle in the record.

MEAN is the arithmetic mean of the data points. This measurement can be made across the entire record, or on each cycle in the record.

MINimum is the minimum data point. This measurement can be made across the entire record, or on each cycle in the record.

NDuty (Negative Duty Cycle) is the ratio of the Negative Pulse Width to the Period. This measurement is made on each cycle in the record.

$$\text{Negative Duty Cycle} = (\text{Negative Width}) / \text{Period} \times 100\%$$

NPERIOD (Duration N-Periods) is the time required to complete N cycles. A cycle is the time between two adjacent (same direction) crossings of the Mid reference level (R_M). This measurement is made on each cycle in the record.

NPJ (non-periodic jitter) is the portion of the BUJ (bounded uncorrelated jitter) that is random. BUJ excludes DDJ, DCD and RJ. This measurement is made across the entire record. This measurement requires the DJA option and is not available on a 4 Series MSO instrument.

NOvershoot (Negative Overshoot) is the difference between Minimum and Base, divided by the Amplitude. This measurement can be made across the entire record, or on each cycle in the record.

$$\text{Negative Overshoot} = (\text{Base} - \text{Minimum}) / \text{Amplitude} \times 100\%$$

NWIdth (Negative Pulse Width) is the time the signal remains below the Mid reference level (R_M). This measurement is made on each cycle in the record.

OBW (Occupied Bandwidth) refers to the bandwidth, including energy of a certain proportion of the total transmitted power, with the center frequency of the specified channel as the center.

PDUTY (Positive Duty Cycle) is the ratio of the Positive Pulse Width to the Period. This measurement is made on each cycle in the record.

$$\text{Positive Duty Cycle} = (\text{Positive Width}) / \text{Period} \times 100\%$$

PERIOD is the time required to complete a cycle. A cycle is the time between two adjacent (same direction) crossings of the Mid reference level (R_M). This measurement is made on each cycle in the record.

PHASE is the ratio of the Skew between two sources to the Period of the first source. This measurement is made on each cycle in the record.

PHASENOISE (Phase Noise) is the RMS magnitude of all integrated jitter falling within a user specified offset range of the fundamental clock frequency. This measurement is made across the entire record. This measurement is not available on a 4 Series MSO instrument.

PJ (periodic jitter) is the peak-to-peak amplitude of the uncorrelated sinusoidal components of the deterministic jitter. This measurement is made across the entire record. This measurement requires the DJA option and is not available on a 4 Series MSO instrument.

PK2Pk (Peak-to-peak) is the difference between Maximum and Minimum. This measurement can be made across the entire record, or on each cycle in the record.

POVERSHOOT (Positive Overshoot) is the difference between Maximum and Top, divided by the Amplitude. This measurement can be made across the entire record, or on each cycle in the record.

$$\text{Positive Overshoot} = (\text{Maximum} - \text{Top}) / \text{Amplitude} \times 100\%$$

PWIDTH (Positive Pulse Width) is the time the signal remains above the Mid reference level (R_M). This measurement is made on each cycle in the record.

QFACTOR (Q-Factor) is the ratio of the vertical eye opening to RMS vertical noise measured at a user specified location within the recovered unit interval. This measurement is made across the entire record. This measurement requires the DJA option and is not available on a 4 Series MSO instrument.

RISESLEWRATE (Rising Slew Rate) is the rate of change in voltage as an edge transitions from the Base reference level (R_B) to the Top reference level (R_T). This measurement is made on each cycle in the record.

RISETIME Rise Time is the time required for an edge to rise from the Base reference level (R_B) to the Top reference level (R_T). This measurement is made on each cycle in the record.

RJ (random jitter) is the RMS magnitude of all random timing errors following a Gaussian distribution. This measurement is made across the entire record. This measurement requires the DJA option and is not available on a 4 Series MSO instrument.

RJDIRAC (dual-dirac random jitter) is random jitter based on a simplifying assumption that the histogram of all deterministic jitter can be modeled as a pair of equal-magnitude Dirac functions. This measurement is made across the entire record. This measurement requires the DJA option and is not available on a 4 Series MSO instrument.

RMS is the true Root Mean Square of the data points. This measurement can be made across the entire record, or on each cycle in the record.

SRJ (sub-rate jitter) is the composite jitter due to periodic components at 1/2, 1/4 and 1/8 of the data rate. This measurement is made across the entire record. This measurement requires the DJA option and is not available on a 4 Series MSO instrument.

SSCFREQDEV (SSC Frequency Deviation) is the spread spectrum clock frequency deviation. This measurement enables a time trend plot of the spread spectrum clock modulation profile. This measurement is made on each cycle in the record. This measurement requires the DJA option and is not available on a 4 Series MSO instrument.

SSCMODRATE (SSC Modulation Rate) is the modulating frequency of a spread spectrum clock. This measurement is made on each cycle in the record. This measurement requires the DJA option and is not available on a 4 Series MSO instrument.

SETUP (Setup Time) is the time between the specified Mid reference level (R_M) crossing on the Data source to the closest specified Mid reference level (R_M) crossing on the Clock source. This measurement is made on each specified Clock edge in the record.

SKEW Skew is the time between the specified Mid reference level (R_M) crossing on one source to the following specified Mid reference level (R_M) crossing on a second source. This measurement is made on each cycle in the record.

TDR (time domain reflectometry) is the arithmetic mean of all the data points in the impedance waveform which is computed from the voltage waveform over the measurement region. The measurement also determines the capacitance and inductance over the same measurement region.

TIE (time interval error) is the difference, in time, between an edge in the source waveform and the corresponding edge in a recovered reference clock. This measurement is made on each edge in the waveform. This measurement is not available on a 4 Series MSO instrument.

TIMEOUTSIDELEVEL Time Outside Level is the time the signal remains above the Top reference level (R_T) and/or below the Base reference level (R_B). This measurement is made on each occurrence in the record.

TJBER (total jitter at a specified bit error rate) is the predicted peak-to-peak amplitude of jitter that will only be exceeded with a probability equal to the bit error rate. This measurement is made across the entire record. This measurement requires the DJA option and is not available on a 4 Series MSO instrument.

TNTRATIO T/nT Ratio is the ratio of a non-transition bit voltage (2nd and subsequent bit voltage after a transition) to its nearest preceding transition bit voltage (1st bit voltage after the transition). Bit voltages are measured at the interpolated midpoint of the recovered unit interval. This measurement is made on each non-transition bit in the record. This measurement requires the DJA option and is not available on a 4 Series MSO instrument.

TOP is the most common data value above the midpoint of the waveform. This measurement can be made across the entire record, or on each cycle in the record.

UNITINTERVAL (Unit Interval) is the time difference between two successive bits. This measurement is made on each bit in the record.

VDIFFXOVR (Differential Crossover) is the voltage level of a differential signal pair at the crossover points. This measurement is made at each crossover point in the record. This measurement requires the DJA option and is not available on a 4 Series MSO instrument.

WBGDDT (d/dt) measures the rate of change of voltage or current (slew rate) from the configured start level to the stop level. Requires a WBG-DPT License.

WBGDIODEDDT (Diode d/dt) measures the rate of change of voltage or current (slew rate) during the specified start and stop integration levels. Diode d/dt can be measured during rising or falling edge. Requires a WBG-DPT License.

WBGEOFF (Eoff) measures the energy dissipated in the Power Device during off region using the configured levels. Requires a WBG-DPT License.

WBGEOON (Eon) measures the energy dissipated in the Power Device during on region using the configured levels. Requires a WBG-DPT License.

WBGERR (Err) measures the reverse recovery energy dissipated in the Power Device using the configured levels. Requires a WBG-DPT License.

WBGIPEAK (Ipeak) measures the peak current of the Power Device in the on region. Requires a WBG-DPT License.

WBGIRRM (Irrm) measures the maximum current dissipated in the Power Device in the reverse recovery region. Requires a WBG-DPT License.

WBGQOSS (Qoss) is the charge that must be supplied to the output capacitance of the power device during a specified time interval. Requires a WBG-DPT License.

WBGQRR (Qrr) measures the reverse recovery charge in the Power Device using the configured levels. Requires a WBG-DPT License.

WBGTDOFF (Td(off)) measures the turn off delay time of the Power Device in the off region using the configured levels. Requires a WBG-DPT License.

WBGTDON (Td(on)) measures the turn on delay time of the Power Device in the on region using the configured levels. Requires a WBG-DPT License.

WBGTF (T_f) measures the fall time of the Power Device in the off region using the configured levels. Requires a WBG-DPT License.

WBGTOFF (Toff) measures the turn off time of the Power Device. It is the sum of the turn off delay time and the fall time. Requires a WBG-DPT License.

WBGTON (Ton) measures the turn on time of the Power Device. It is the sum of the turn on delay time and the rise time. Requires a WBG-DPT License.

WBGTR (Tr) measures the rise time of the Power Device in the on region using the configured levels. Requires a WBG-DPT License.

WBGTRR (Trr) measures the reverse recovery time of the Power Device using the configured levels. Requires a WBG-DPT License.

WBGTD (Tdt) the time delay between turn on time of the high side MOSFET and turn on time of the low side MOSFET during the simultaneous switching. Requires a WBG-DPT License.

WBGVPEAK (Vpeak) measures the peak voltage of the Power Device in the off region. Requires a WBG-DPT License.

WIDTH (Eye Width) is the minimum horizontal eye opening at the user specified reference level. This measurement is made across the entire record. This measurement requires the DJA option and is not available on a 4 Series MSO instrument.

WIDTHBER (Eye Width@BER) is the predicted horizontal eye opening that will be violated with a probability equal to the bit error rate. This measurement is made across the entire record. This measurement requires the DJA option and is not available on a 4 Series MSO instrument.

Examples `MEASUREMENT:MEAS2:TYPE FREQUENCY` defines measurement 2 as a measurement of the frequency of a waveform.

`MEASUREMENT:MEAS1:TYPE?` might return `:MEASUREMENT:MEAS1:TYPE RMS`, indicating that measurement 1 is defined to measure the RMS value of a waveform.

MEASUREMENT:MEAS<x>:VLEVEL

This command sets or queries whether histogram center is percentage relative to unit interval or an absolute value for eye width measurement.

Group Measurement

Syntax `MEASUREMENT:MEAS<x>:VLEVEL {PERCENT|ABSOLUTE}`
`MEASUREMENT:MEAS<x>:VLEVEL?`

Arguments `MEAS<x>` is the measurement number.

`PERCENT` sets the histogram center as a percentage relative to unit interval.

`ABSOLUTE` sets the histogram center as an absolute value.

Examples `MEASUREMENT:MEAS1:VLEVEL PERCENT` sets the histogram center as a percentage relative to unit interval for measurement 1.

`MEASUREMENT:MEAS1:VLEVEL?` might return `:MEASUREMENT:MEAS1:VLEVEL PERCENT`, indicating histogram center is set as a percentage relative to unit interval for measurement 1.

MEASUREMENT:MEAS<x>:WAITTIME

Sets or queries the wait time.

Conditions Requires option 5-DPM (5 Series MSO instruments) or 6-DPM (6 Series MSO instrument)

Group DPM

Syntax `MEASUREMENT:MEAS<x>:WAITTIME <NR2>`
`MEASUREMENT:MEAS<x>:WAITTIME?`

Arguments	MEAS<x> is the measurement number. <NR2> is the wait time, in the range of 1 s to 500 s.
Examples	MEASUREMENT:MEAS1:WAITTime 60 sets the input trigger level of measurement 1 to +60 volts. MEASUREMENT:MEAS3:WAITTime? might return 2.500, indicating that the wait time of measurement 3 is 2.5 seconds.

MEASUREMENT:MEAS<x>:WBG:AFGAddress

This command sets or returns the AFG address of external AFG connected for WBG measurement.

Conditions	WBG-DPT License.
Group	Measurement, WBG
Syntax	MEASUREMENT:MEAS<x>:WBG:AFGAddress <QString> MEASUREMENT:MEAS<x>:WBG:AFGAddress?
Arguments	MEAS<x> specifies the measurement number. <QString> specifies the AFG IP address to connect external AFG for WBG measurements.
Examples	MEASUREMENT:MEAS2:WBG:AFGAddress "134.64.246.214" specifies the AFG IP address as 134.64.246.214 for measurement 2. MEASUREMENT:MEAS2:WBG:AFGAddress? might return :MEASUREMENT:MEAS2:WBG:AFGAddress "134.64.246.214" indicating the AFG IP address is 134.64.246.214 for measurement 2.

MEASUREMENT:MEAS<x>:WBG:AFGSetup (No Query Form)

This command executes AFG test connection or once AFG connection succeeded, Run will setup configuration on connected AFG.

Conditions	WBG-DPT License.
-------------------	------------------

Group	Measurement, WBG
Syntax	MEASUREMENT:MEAS<x>:WBG:AFGSetup {CONNECT RUN}
Arguments	MEAS<x> specifies the measurement number. CONNECT executes AFG test connection. RUN will setup AFG configuration.
Examples	MEASUREMENT:MEAS2:WBG:AFGSetup CONNECT executes AFG test connection for measurement 2.

MEASUREMENT:MEAS<x>:WBG:CSTATUS? (Query Only)

This command queries the AFG test connection status.

Conditions	WBG-DPT License.
Group	Measurement, WBG
Syntax	MEASUREMENT:MEAS<x>:WBG:CSTATUS?
Arguments	MEAS<x> specifies the measurement number.
Returns	SUCCESS indicates that AFG connected successfully. FAILURE indicates that the AFG connection failed. UNSUPPORTED indicates that the AFG connection is unsupported.
Examples	MEASUREMENT:MEAS1:WBG:CSTATUS? might return :MEASUREMENT:MEAS1:WBG:CSTATUS SUCCESS, indicating that AFG connected successfully for measurement 1.

MEASUREMENT:MEAS<x>:WBG:GTYPE

This command sets or returns the generator type for WBG measurements.

Conditions	WBG-DPT License.
Group	Measurement, WBG
Syntax	MEASurement:MEAS<x>:WBG:GTYpe {AFG31000 OTHER} MEASurement:MEAS<x>:WBG:GTYpe?
Arguments	MEAS<x> specifies the measurement number. AFG31000 specifies the generator type for WBG measurement as AFG31000. OTHER specifies the generator type for WBG measurement as OTHER.
Examples	MEASurement:MEAS1:WBG:GTYpe AFG31000 specifies the generator type for WBG measurement as AFG31000. MEASurement:MEAS1:WBG:GTYpe? might return :MEASUREMENT:MEAS1:WBG:GTYpe OTHER, indicating the generator type for WBG measurement is OTHER for measurement 1.

MEASUREMENT:MEAS<x>:WBG:HIGH

This command sets or returns the high voltage value of AFG for WBG measurements.

Conditions	WBG-DPT License.
Group	Measurement, WBG
Syntax	MEASurement:MEAS<x>:WBG:HIGH <NR3> MEASurement:MEAS<x>:WBG:HIGH?
Arguments	MEAS<x> specifies the measurement number. <NR3> specifies the high voltage of AFG for WBG measurements.
Examples	MEASurement:MEAS2:WBG:HIGH 2.5000 specifies the high voltage of AFG as 2.5 for measurement 2. MEASurement:MEAS2:WBG:HIGH? might return :MEASUREMENT:MEAS2:WBG:HIGH 2.5000 indicating the high voltage of AFG is 2.5 for measurement 2.

MEASUREMENT:MEAS<x>:WBG:LOAD

This command sets or returns the load type of AFG for WBG measurements.

Conditions WBG-DPT License.

Group Measurement, WBG

Syntax MEASUREMENT:MEAS<x>:WBG:LOAD {FIFTY|HIGHZ}
MEASUREMENT:MEAS<x>:WBG:LOAD?

Arguments MEAS<x> specifies the measurement number.
FIFTY specifies the load type of AFG as Fifty for WBG measurements.
HIGHZ specifies the load type of AFG as High Z for WBG measurements.

Examples MEASUREMENT:MEAS2:WBG:LOAD FIFTY specifies the load type of AFG as Fifty for measurement 2.
MEASUREMENT:MEAS2:WBG:LOAD? might return
:MEASUREMENT:MEAS2:WBG:LOAD FIFTY indicating the load type of AFG is Fifty for measurement 2.

MEASUREMENT:MEAS<x>:WBG:LOW

This command sets or returns the low voltage value of AFG for WBG measurements.

Conditions WBG-DPT License.

Group Measurement, WBG

Syntax MEASUREMENT:MEAS<x>:WBG:LOW <NR3>
MEASUREMENT:MEAS<x>:WBG:LOW?

Arguments MEAS<x> specifies the measurement number.
<NR3> specifies the low voltage of AFG for WBG measurements.

Examples `MEASUREMENT:MEAS2:WBG:LOW 0.0E+0` specifies the low voltage of AFG as 0.0E+0 for measurement 2.

`MEASUREMENT:MEAS2:WBG:LOW?` might return
`:MEASUREMENT:MEAS2:WBG:LOW 0.0E+0` indicating the low voltage of AFG is 0.0E+0 for measurement 2.

MEASUREMENT:MEAS<x>:WBG:NPULs

This command sets or returns the number of pulse of AFG for WBG measurements.

Conditions WBG-DPT License.

Group Measurement, WBG

Syntax `MEASUREMENT:MEAS<x>:WBG:NPULs <NR1>`
`MEASUREMENT:MEAS<x>:WBG:NPULs?`

Arguments `MEAS<x>` specifies the measurement number.

`<NR1>` specifies the number of pulse of AFG to generate pulse signal for WBG measurements.

Examples `MEASUREMENT:MEAS2:WBG:NPULs 8` specifies the number of pulse of AFG as 8 for measurement 2.

`MEASUREMENT:MEAS2:WBG:NPULs?` might return
`:MEASUREMENT:MEAS2:WBG:NPULs 8` indicating the number of pulse of AFG is 8 for measurement 2.

MEASUREMENT:MEAS<x>:WBG:PG<x>Val

This command sets or returns the pulse gap of AFG for WBG measurements.

Conditions WBG-DPT License.

Group Measurement, WBG

Syntax `MEASUREMENT:MEAS<x>:WBG:PG<x>Val <NR3>`
`MEASUREMENT:MEAS<x>:WBG:PG<x>Val?`

Arguments	<p>MEAS<x> specifies the measurement number.</p> <p>PG<x> specifies the number of pulse. The valid values are 1 to 8.</p> <p><NR3> specifies the pulse gap of AFG for WBG measurements.</p>
Examples	<p>MEASUREMENT:MEAS2:WBG:PG8Val 150.0000E-6 specifies the 8 pulse gap as 150.0000E-6 for measurement 2.</p> <p>MEASUREMENT:MEAS2:WBG:PG8Val? might return :MEASUREMENT:MEAS2:WBG:PG8Val 150.0000E-6 indicating the 8 pulse gap is 150.0000E-6 for measurement 2.</p>

MEASUREMENT:MEAS<x>:WBG:PW<x>Val

This command sets or returns the pulse width of AFG for WBG measurements.

Conditions	WBG-DPT License.
Group	Measurement, WBG
Syntax	<p>MEASUREMENT:MEAS<x>:WBG:PW<x>Val <NR3></p> <p>MEASUREMENT:MEAS<x>:WBG:PW<x>Val?</p>
Arguments	<p>MEAS<x> specifies the measurement number.</p> <p>PW<x> specifies the pulse width number. The valid values are 1 to 8.</p> <p><NR3> specifies the pulse width of AFG for WBG measurements.</p>
Examples	<p>MEASUREMENT:MEAS2:WBG:PW1Val 60.0000E-9 specifies the value of pulse width 1 as 60.0000E-9 for measurement 2.</p> <p>MEASUREMENT:MEAS2:WBG:PW1Val? might return :MEASUREMENT:MEAS2:WBG:PW1Val 60.0000E-9 indicating the value of pulse width 1 is 60.0000E-9 for measurement 2.</p>

MEASUREMENT:MEAS<x>:WBG:TIMER

This command sets or returns the trigger interval of AFG for WBG measurements.

Conditions	WBG-DPT License.
-------------------	------------------

Group	Measurement, WBG
Syntax	MEASUREMENT:MEAS<x>:WBG:TIMER <NR3> MEASUREMENT:MEAS<x>:WBG:TIMER?
Arguments	MEAS<x> specifies the measurement number. <NR3> specifies the trigger interval of AFG for WBG measurements.
Examples	MEASUREMENT:MEAS2:WBG:TIMER 500.0000 specifies the trigger interval as 500 for measurement 2. MEASUREMENT:MEAS2:WBG:TIMER? might return :MEASUREMENT:MEAS2:WBG:TIMER 500.0000 indicating the trigger interval is 500 for measurement 2.

MEASUREMENT:MEAS<x>:WIDTH

This command sets or queries the histogram width in terms of percentage.

Group	Measurement
Syntax	MEASUREMENT:MEAS<x>:WIDTH <NR1> MEASUREMENT:MEAS<x>:WIDTH?
Arguments	MEAS<x> is the measurement number. <NR1> is the value for the width.
Examples	MEASUREMENT:MEAS1:WIDTH 10 sets the width as 10% for measurement 1. MEASUREMENT:MEAS1:WIDTH? might return :MEASUREMENT:MEAS1:WIDTH 10, indicating width is set to 10% for measurement 1.

MEASUREMENT:MEAS<x>:WINDOWLENGTH

This command sets or queries the window length for the measurement. The measurement number is specified by x.

Group	Measurement
--------------	-------------

Syntax	<code>MEASUREMENT:MEAS<x>:WINDOWLENGTH <NR3></code> <code>MEASUREMENT:MEAS<x>:WINDOWLENGTH?</code>
Arguments	<NR3> is the value for the window length.
Examples	<code>MEASUREMENT:MEAS1:WINDOWLENGTH 10</code> sets the window length to 10. <code>MEASUREMENT:MEAS1:WINDOWLENGTH?</code> might return <code>:MEASUREMENT:MEAS1:WINDOWLENGTH 10.0000</code> indicating the window length is 10.

MEASUREMENT:MEAS<x>:XUNIT? (Query Only)

Returns the horizontal scale units of the specified measurement.

Group	Measurement
Syntax	<code>MEASUREMENT:MEAS<x>:XUNIT?</code>
Arguments	MEAS<x> specifies the measurement number.
Examples	<code>MEASUREMENT:MEAS2:XUNIT?</code> might return "V", indicating that the horizontal unit for measurement 2 is seconds.

MEASUREMENT:MEAS<x>:YUNIT? (Query Only)

Returns the vertical scale units of the specified measurement.

Group	Measurement
Syntax	<code>MEASUREMENT:MEAS<x>:YUNIT?</code>
Arguments	MEAS<x> specifies the measurement number.
Examples	<code>MEASUREMENT:MEAS12:YUNIT?</code> might return "V", indicating that the vertical unit for measurement 12 is volts.

MEASUREMENT:MECH:EINDEXZ

This command sets or queries the global mechanical Index Z source.

Conditions	IMDA-MECH license on 5, 6, 6B series MSO instruments.
Group	IMDA
Syntax	MEASUREMENT:MECH:EINDEXZ {ON OFF 1 0} MEASUREMENT:MECH:EINDEXZ?
Arguments	ON specifies the Index Z check box state as enabled. OFF specifies the Index Z check box state as disabled. 1 specifies the Index Z check box state as enabled. 0 specifies the Index Z check box state as disabled.
Examples	MEASUREMENT:MECH:EINDEXZ ON specifies the global mechanical Index Z source as enabled. MEASUREMENT:MECH:EINDEXZ? might return :MEASUREMENT:MECH:EINDEXZ ON, indicating the global mechanical Index Z source is enabled.

MEASUREMENT:MECH:GRATIO

This command sets or queries the measurement gear ratio.

Conditions	IMDA-MECH license on 5 and 6 Series MSO instruments.
Group	Measurement, IMDA
Syntax	MEASUREMENT:MECH:GRATIO <NR3> MEASUREMENT:MECH:GRATIO?
Arguments	<NR3> specifies the gear ratio value for a specified measurement. The minimum and maximum values are 0.001 to 1000.

Examples `MEASUREMENT:MECH:GRATIO 1.000E-3` sets the gear ratio value to 1.000E-3.
`MEASUREMENT:MECH:GRATIO?` might return `:MEASUREMENT:MECH:GRATIO 1.000E-3`, indicating the gear ratio value is 1.000E-3.

MEASUREMENT:MECH:MUNITS

This command sets or queries the global mechanical measurement results units.

Conditions IMDA-MECH license on 5, 6, 6B series MSO instruments.

Group IMDA

Syntax `MEASUREMENT:MECH:MUNITS`
`{NM|OZINCH|FTLB|INCHLB|DEGREES|RADIANS}`
`MEASUREMENT:MECH:MUNITS?`

Arguments `NM` specifies the results units of mechanical Torque measurement as `NM`.
`OZINCH` specifies the results units of mechanical Torque measurement as `OZINCH`.
`FTLB` specifies the results units of mechanical Torque measurement as `FTLB`.
`INCHLB` specifies the results units of mechanical Torque measurement as `INCHLB`.
`DEGREES` specifies the results units of mechanical Torque measurement as `DEGREES`.
`RADIANS` specifies the results units of mechanical Torque measurement as `RADIANS`.

Examples `MEASUREMENT:MECH:MUNITS NM` specifies the results units of mechanical Torque measurement as `NM`.
`MEASUREMENT:MECH:MUNITS?` might return `:MEASUREMENT:MECH:MUNITS NM`, indicating the results units of mechanical Torque measurement is `NM`.

MEASUREMENT:MECH:PPAIRS

This command sets or queries the measurement number of pole pairs.

Conditions IMDA-MECH license on 5 and 6 Series MSO instruments.

Group	Measurement, IMDA
Syntax	MEASUREMENT:MECH:PPAIRS <NR1> MEASUREMENT:MECH:PPAIRS?
Arguments	<NR1> defines the number of pole pairs for the specified measurement. The minimum to maximum range is 1 to 20.
Examples	MEASUREMENT:MECH:PPAIRS 4 defines the number of pole pairs as 4. MEASUREMENT:MECH:PPAIRS? might return :MEASUREMENT:MECH:PPAIRS 4 indicating the number of pole pairs is 4.

MEASUREMENT:MECH:PPROTATION

This command sets or queries the global pulses per rotation of the measurement.

Conditions	IMDA-MECH license on 5, 6, 6B series MSO instruments.
Group	IMDA
Syntax	MEASUREMENT:MECH:PPROTATION <NR1> MEASUREMENT:MECH:PPROTATION?
Arguments	<NR1> defines the pulses per rotation of the measurement. The minimum to maximum range is 1 to 100000.
Examples	MEASUREMENT:MECH:PPROTATION 25 defines the pulses per rotation of the measurement as 25. MEASUREMENT:MECH:PPROTATION? might return :MEASUREMENT:MECH:PPROTATION 25, indicating the pulses per rotation of the measurement is 25.

MEASUREMENT:MECH:SOURCE<x>

This command sets or queries the global mechanical source of the specified source number.

Conditions	IMDA-MECH license on 5 and 6 Series MSO instruments.
-------------------	------------------------------------------------------

Group	Measurement, IMDA
Syntax	MEASUREMENT:MECH:SOURCE<x> {CH<x> MATH<x> REF<x> CH<x>_D<x>} MEASUREMENT:MECH:SOURCE<x>?
Arguments	CH<x> specifies an analog channel as the source waveform. MATH<x> specifies a math waveform as the source waveform. REF<x> specifies an reference waveform as the source waveform . CH<x>_D<x> specifies a digital channel as the source waveform.
Examples	MEASUREMENT:MECH:SOURCE2 CH2 defines the global mechanical source as channel 2. MEASUREMENT:MECH:SOURCE2? might return :MEASUREMENT:MECH:SOURCE2 CH2, indicating the global mechanical source is channel 2.

MEASUREMENT:MECH:SType

This command sets or queries the measurement sensor type.

Conditions	IMDA-MECH license on 5 and 6 Series MSO instruments.
Group	Measurement, IMDA
Syntax	MEASUREMENT:MECH:SType {HSENSOR QEI RESOLVER} MEASUREMENT:MECH:SType?
Arguments	HSENSOR specifies the sensor type as HSENSOR. QEI specifies the sensor type as QEI. RESOLVER specifies the sensor type as RESOLVER.
Examples	MEASUREMENT:MECH:SType HSENSOR specifies the sensor type as HSENSOR. MEASUREMENT:MECH:SType? might return :MEASUREMENT:MECH:SType HSENSOR, indicating the sensor type is HSENSOR.

MEASUREMENT:MINUI

This command sets or queries the minimum number of unit intervals required for BUJ analysis.

Group	Measurement
Syntax	MEASUREMENT:MINUI <NR3> MEASUREMENT:MINUI?
Arguments	<NR3> is the minimum number of unit intervals required for BUJ analysis.
Examples	MEASUREMENT:MINUI 1.0000E+6 sets the minimum number of unit intervals required for BUJ analysis to 1,000,000. MEASUREMENT:MINUI? might return :MEASUREMENT:MINUI 1.0000E+6 indicating the minimum number of unit intervals required for BUJ analysis is 1,000,000.

MEASUREMENT:POPULATION:LIMIT:STATE

This command sets or queries the global population limit state for the measurement.

Group	Measurement
Syntax	MEASUREMENT:POPULATION:LIMIT:STATE {OFF ON 0 1 } MEASUREMENT:POPULATION:LIMIT:STATE?
Arguments	OFF turns off the population limit. ON turns on the population limit. 0 turns off the population limit. 1 turns on the population limit.
Examples	MEASUREMENT:POPULATION:LIMIT:STATE 1 turns on the population limit. MEASUREMENT:POPULATION:LIMIT:STATE? might return :MEASUREMENT:POPULATION:LIMIT:STATE 0 indicating the population limit is off.

MEASUREMENT:POPULATION:LIMIT:VALUE

This command sets or queries the global population limit value for the measurement.

Group	Measurement
Syntax	MEASUREMENT:POPULATION:LIMIT:VALUE <NR1> MEASUREMENT:POPULATION:LIMIT:VALUE?
Arguments	<NR1> is the current limit value.
Examples	MEASUREMENT:POPULATION:LIMIT:VALUE 2000 sets the population limit to 2000. MEASUREMENT:POPULATION:LIMIT:VALUE? might return :MEASUREMENT:POPULATION:LIMIT:VALUE 1000 indicating the population limit value is 1000.

MEASUREMENT:REFLEVELS:ABSOLUTE:FALLHIGH

This command sets or queries the value used as the high reference level of the falling edge when the measurement's ref level method is set to absolute.

Group	Measurement
Syntax	MEASUREMENT:REFLEVELS:ABSOLUTE:FALLHIGH <NR3> MEASUREMENT:REFLEVELS:ABSOLUTE:FALLHIGH?
Arguments	<NR3> is the value used as the high reference level of the falling edge when the measurement's ref level method is set to absolute.
Examples	MEASUREMENT:REFLEVELS:ABSOLUTE:FALLHIGH 1.5 sets the high reference level to 1.5 V. MEASUREMENT:REFLEVELS:ABSOLUTE:FALLHIGH? might return :MEASUREMENT:REFLEVELS:ABSOLUTE:FALLHIGH 1.0000 indicating the high reference level is 1.0 V.

MEASUREMENT:REFLEVELS:ABSOLUTE:FALLLOW

This command sets or queries the value used as the low reference level of the falling edge when the measurement's ref level method is set to absolute.

Group	Measurement
Syntax	MEASUREMENT:REFLEVELS:ABSOLUTE:FALLLOW <NR3> MEASUREMENT:REFLEVELS:ABSOLUTE:FALLLOW?
Arguments	<NR3> is the value used as the low reference level of the falling edge.
Examples	MEASUREMENT:REFLEVELS:ABSOLUTE:FALLLOW -1.5 sets the low reference level to -1.5 V. MEASUREMENT:REFLEVELS:ABSOLUTE:FALLLOW? might return :MEASUREMENT:REFLEVELS:ABSOLUTE:FALLLOW -1.0000 indicating the low reference level is -1.0 V.

MEASUREMENT:REFLEVELS:ABSOLUTE:FALLMID

This command sets or queries the value used as the mid reference level of the falling edge when the measurement's ref level method is set to absolute.

Group	Measurement
Syntax	MEASUREMENT:REFLEVELS:ABSOLUTE:FALLMID <NR3> MEASUREMENT:REFLEVELS:ABSOLUTE:FALLMID?
Arguments	<NR3> is the value used as the mid reference level of the falling edge.
Examples	MEASUREMENT:REFLEVELS:ABSOLUTE:FALLMID 10.0E-3 sets the mid reference level to 10.0 mV. MEASUREMENT:REFLEVELS:ABSOLUTE:FALLMID? might return :MEASUREMENT:REFLEVELS:ABSOLUTE:FALLMID 0.0E+0 indicating the mid reference level is 0.0 V.

MEASUREMENT:REFLEVELS:ABSOLUTE:HYS TERESIS

This command sets or queries the value of the hysteresis of the reference level when the measurement's ref level method is set to absolute.

Group	Measurement
Syntax	MEASUREMENT:REFLEVELS:ABSOLUTE:HYS TERESIS <NR3> MEASUREMENT:REFLEVELS:ABSOLUTE:HYS TERESIS?
Arguments	<NR3> is the value of the hysteresis of the reference level.
Examples	MEASUREMENT:REFLEVELS:ABSOLUTE:HYS TERESIS 20.0E-3 sets the hysteresis to 20.0 mV. MEASUREMENT:REFLEVELS:ABSOLUTE:HYS TERESIS? might return :MEASUREMENT:REFLEVELS:ABSOLUTE:HYS TERESIS 30.0000E-3 indicating the hysteresis is set to 30.0 mV.

MEASUREMENT:REFLEVELS:ABSOLUTE:RISEHIGH

This command sets or queries the value used as the high reference level of the rising edge when the measurement's ref level method is set to absolute.

Group	Measurement
Syntax	MEASUREMENT:REFLEVELS:ABSOLUTE:RISEHIGH <NR3> MEASUREMENT:REFLEVELS:ABSOLUTE:RISEHIGH?
Arguments	<NR3> is the value used as the high reference level of the rising edge.
Examples	MEASUREMENT:REFLEVELS:ABSOLUTE:RISEHIGH 1.5 sets the high reference to 1.5 V. MEASUREMENT:REFLEVELS:ABSOLUTE:RISEHIGH? might return :MEASUREMENT:REFLEVELS:ABSOLUTE:RISEHIGH 1.0000 indicating the high reference is 1.0 V.

MEASUREMENT:REFLEVELS:ABSOLUTE:RISELOW

This command sets or queries the value used as the low reference level of the rising edge when the measurement's ref level method is set to absolute.

Group	Measurement
Syntax	MEASUREMENT:REFLEVELS:ABSOLUTE:RISELOW <NR3> MEASUREMENT:REFLEVELS:ABSOLUTE:RISELOW?
Arguments	<NR3> is the value used as the the low reference level of the rising edge
Examples	MEASUREMENT:REFLEVELS:ABSOLUTE:RISELOW -1.5 sets the low reference level to -1.5 V. MEASUREMENT:REFLEVELS:ABSOLUTE:RISELOW? might return :MEASUREMENT:REFLEVELS:ABSOLUTE:RISELOW -1.0000 indicating the low reference level is -1.0 V.

MEASUREMENT:REFLEVELS:ABSOLUTE:RISEMID

This command sets or queries the value used as the mid reference level of the rising edge when the measurement's ref level method is set to absolute.

Group	Measurement
Syntax	MEASUREMENT:REFLEVELS:ABSOLUTE:RISEMID <NR3> MEASUREMENT:REFLEVELS:ABSOLUTE:RISEMID?
Arguments	<NR3> is the mid reference level of the rising edge.
Examples	MEASUREMENT:REFLEVELS:ABSOLUTE:RISEMID 10.0E-3 sets the mid reference to 10.0 mV. MEASUREMENT:REFLEVELS:ABSOLUTE:RISEMID? might return :MEASUREMENT:REFLEVELS:ABSOLUTE:RISEMID 0.0E+0 indicating the mid reference is 0.0 V.

MEASUREMENT:REFLEVELS:ABSOLUTE:TYPE

This command sets or queries the reference level type for the measurement.

Group	Measurement
Syntax	MEASUREMENT:REFLEVELS:ABSOLUTE:TYPE {SAME UNIQUE} MEASUREMENT:REFLEVELS:ABSOLUTE:TYPE?
Arguments	SAME specifies that the absolute levels are set the same. UNIQUE specifies that the absolute levels can be set independently.
Examples	MEASUREMENT:REFLEVELS:ABSOLUTE:TYPE UNIQUE specifies that the absolute levels can be set independently. MEASUREMENT:REFLEVELS:ABSOLUTE:TYPE? might return :MEASUREMENT:REFLEVELS:ABSOLUTE:TYPE SAME indicating the absolute levels are set the same.

MEASUREMENT:REFLEVELS:BASETOP

This command sets or queries the method used to calculate the TOP and BASE, used to calculate reference levels for the measurement.

Group	Measurement
Syntax	MEASUREMENT:REFLEVELS:BASETOP {AUTO MINMAX MEANHISTOGRAM MODEHISTOGRAM EYEHISTOGRAM} MEASUREMENT:REFLEVELS:BASETOP?
Arguments	AUTO sets the base top method to AUTO. MINMAX sets the base top method to MINMAX. MEANHISTOGRAM sets the base top method to MEANHISTOGRAM. MODEHISTOGRAM sets the base top method to MODEHISTOGRAM. EYEHISTOGRAM sets the base top method to EYEHISTOGRAM.
Examples	MEASUREMENT:REFLEVELS:BASETOP MINMAX selects the MINMAX base top method. MEASUREMENT:REFLEVELS:BASETOP? might return :MEASUREMENT:REFLEVELS:BASETOP MINMAX indicating the base top method is MINMAX.

MEASUREMENT:REFLEVELS:JITTERMODE

This command sets or queries how often reference levels are calculated on Jitter measurements. If the mode is set to Latch, ref levels are calculated only on the first acquisition after a statistics reset. If it is set to Continuous, reference levels are calculated on every acquisition.

Group Measurement

Syntax MEASUREMENT:REFLEVELS:JITTERMODE {CONTINUOUS|LATCH}
MEASUREMENT:REFLEVELS:JITTERMODE?

Arguments CONTINUOUS specifies that reference levels are calculated on every acquisition.
LATCH specifies that reference levels are calculated only on the first acquisition after a statistics reset.

Examples MEASUREMENT:REFLEVELS:JITTERMODE CONTINUOUS specifies that reference levels are calculated on every acquisition.
MEASUREMENT:REFLEVELS:JITTERMODE? might return LATCH indicating that reference levels are calculated only on the first acquisition after a statistics reset.

MEASUREMENT:REFLEVELS:METHOd

This command sets or queries the method used to calculate reference levels for the measurement.

Group Measurement

Syntax MEASUREMENT:REFLEVELS:METHOd {PERCENT|ABSOLUTE}
MEASUREMENT:REFLEVELS:METHOd?

Arguments PERCENT specifies that the reference levels are calculated as a percent relative to HIGH and LOW. The percentages are defined using the MEASUREMENT:REFLEVELS:REFLEVEL:PERCENT commands.
ABSOLUTE specifies that the reference levels are set explicitly using the MEASUREMENT:REFLEVELS:REFLEVEL:ABSOLUTE commands. This method is useful when precise values are required.

Examples `MEASUREMENT:REFLEVELS:METHOd ABSOLUTE` specifies that the reference levels are set explicitly.

`MEASUREMENT:REFLEVELS:METHOd?` might return `:MEASUREMENT:REFLEVELS:METHOd PERCENT` indicating the reference levels are calculated as a percent relative to HIGH and LOW.

MEASUREMENT:REFLEVELS:MODE

This command sets or queries how often reference levels are calculated.

Group Measurement

Syntax `MEASUREMENT:REFLEVELS:MODE {LATCH|CONTINUOUS}`
`MEASUREMENT:REFLEVELS:MODE?`

Arguments `LATCH` calculates reference levels only on the first acquisition after a statistics reset.

`CONTINUOUS` calculates reference levels on every acquisition.

Examples `MEASUREMENT:REFLEVELS:MODE CONTINUOUS` calculates reference levels on every acquisition.

`MEASUREMENT:REFLEVELS:MODE?` might return `:MEASUREMENT:REFLEVELS:MODE LATCH` indicating reference levels are calculated only on the first acquisition after a statistics reset.

MEASUREMENT:REFLEVELS:PERCENT:FALLHIGH

This command sets or queries the percentage (where 99% is equal to TOP and 1% is equal to BASE) used to calculate the high reference level of the falling edge when the measurement's ref level method is set to percent.

Group Measurement

Syntax `MEASUREMENT:REFLEVELS:PERCENT:FALLHIGH <NR3>`
`MEASUREMENT:REFLEVELS:PERCENT:FALLHIGH?`

Arguments `<NR3>` is the percentage used to calculate the high reference level of the falling edge

Examples `MEASUREMENT:REFLEVELS:PERCENT:FALLHIGH 90` sets the high reference level to 90%.

`MEASUREMENT:REFLEVELS:PERCENT:FALLHIGH?` might return
`:MEASUREMENT:REFLEVELS:PERCENT:FALLHIGH 80.0000` indicating the high reference level is 80%.

MEASUREMENT:REFLEVELS:PERCENT:FALLLOW

This command sets or queries the percentage (where 99% is equal to TOP and 1% is equal to BASE) used to calculate the mid reference level of the falling edge when the measurement's ref level method is set to percent.

Group Measurement

Syntax `MEASUREMENT:REFLEVELS:PERCENT:FALLLOW <NR3>`
`MEASUREMENT:REFLEVELS:PERCENT:FALLLOW?`

Arguments `<NR3>` is the percentage used to calculate the mid reference level of the falling edge.

Examples `MEASUREMENT:REFLEVELS:PERCENT:FALLLOW 10` sets the low reference level to 10%.

`MEASUREMENT:REFLEVELS:PERCENT:FALLLOW?` might return
`:MEASUREMENT:REFLEVELS:PERCENT:FALLLOW 20.0000` indicating the low reference level is 20%.

MEASUREMENT:REFLEVELS:PERCENT:FALLMID

This command sets or queries the percentage (where 99% is equal to TOP and 1% is equal to BASE) used to calculate the mid reference level of the falling edge when the measurement's ref level method is set to percent.

Group Measurement

Syntax `MEASUREMENT:REFLEVELS:PERCENT:FALLMID <NR3>`
`MEASUREMENT:REFLEVELS:PERCENT:FALLMID?`

Arguments `<NR3>` is the percentage used to calculate the mid reference level of the falling edge

Examples `MEASUREMENT:REFLEVELS:PERCENT:FALLMID 55` sets the mid reference level to 55%.

`MEASUREMENT:REFLEVELS:PERCENT:FALLMID?` might return
`:MEASUREMENT:REFLEVELS:PERCENT:FALLMID 50.0000` indicating the mid reference level is 50%.

MEASUREMENT:REFLEVELS:PERCENT:HYS TERESIS

This command sets or queries the percentage (where 100% is equal to MAX and 1% is equal to MIN) used to calculate the hysteresis of the reference level when the measurement's ref level method is set to percent.

Group Measurement

Syntax `MEASUREMENT:REFLEVELS:PERCENT:HYS TERESIS <NR3>`
`MEASUREMENT:REFLEVELS:PERCENT:HYS TERESIS?`

Arguments `<NR3>` is the percentage used to calculate the hysteresis of the reference level.

Examples `MEASUREMENT:REFLEVELS:PERCENT:HYS TERESIS 3` sets the hysteresis to 3%.

`MEASUREMENT:REFLEVELS:PERCENT:HYS TERESIS?` might return
`:MEASUREMENT:REFLEVELS:PERCENT:HYS TERESIS 5.0000` indicating the hysteresis is set to 5%.

MEASUREMENT:REFLEVELS:PERCENT:RISEHIGH

This command sets or queries the percentage (where 99% is equal to TOP and 1% is equal to BASE) used to calculate the high reference level of the rising edge when the measurement's ref level method is set to percent.

Group Measurement

Syntax `MEASUREMENT:REFLEVELS:PERCENT:RISEHIGH <NR3>`
`MEASUREMENT:REFLEVELS:PERCENT:RISEHIGH?`

Arguments `<NR3>` is the percentage used to calculate the high reference level of the rising edge.

Examples `MEASUREMENT:REFLEVELS:PERCENT:RISEHigh 90` sets the high reference level to 90%.

`MEASUREMENT:REFLEVELS:PERCENT:RISEHigh?` might return
`:MEASUREMENT:REFLEVELS:PERCENT:RISEHIGH 80.0000` indicating the high ref level is 80%.

MEASUREMENT:REFLEVELS:PERCENT:RISELow

This command sets or queries the percentage (where 99% is equal to TOP and 1% is equal to BASE) used to calculate the low reference level of the rising edge when the measurement's ref level method is set to percent.

Group Measurement

Syntax `MEASUREMENT:REFLEVELS:PERCENT:RISELow <NR3>`
`MEASUREMENT:REFLEVELS:PERCENT:RISELow?`

Arguments <NR3> is the percentage used to calculate the low reference level of the rising edge.

Examples `MEASUREMENT:REFLEVELS:PERCENT:RISELow 10` sets the low reference level to 10%.

`MEASUREMENT:REFLEVELS:PERCENT:RISELow?` might return
`:MEASUREMENT:REFLEVELS:PERCENT:RISELOW 20.0000` indicating the low reference level is 20%.

MEASUREMENT:REFLEVELS:PERCENT:RISEMid

This command sets or queries the percentage (where 99% is equal to TOP and 1% is equal to BASE) used to calculate the mid reference level of the rising edge when the measurement's ref level method is set to percent.

Group Measurement

Syntax `MEASUREMENT:REFLEVELS:PERCENT:RISEMid <NR3>`
`MEASUREMENT:REFLEVELS:PERCENT:RISEMid?`

Arguments <NR3> is the percentage used to calculate the mid reference level of the rising edge.

Examples `MEASUREMENT:REFLEVELS:PERCENT:RISEMID 55` sets the mid reference level to 55%.

`MEASUREMENT:REFLEVELS:PERCENT:RISEMID?` might return `:MEASUREMENT:REFLEVELS:PERCENT:RISEMID 50.0000` indicating the mid reference level is 50%.

MEASUREMENT:REFLEVELS:PERCENT:TYPE

This command sets or queries the reference level percent type for the measurement.

Group Measurement

Syntax `MEASUREMENT:REFLEVELS:PERCENT:TYPE`
 `{TENNINETY|TWENTYEIGHTY|CUSTOM}`
 `MEASUREMENT:REFLEVELS:PERCENT:TYPE?`

Arguments `TENNINETY` sets the values for Low, Mid and High Ref to 10%, 50% and 90% respectively.

`TWENTYEIGHTY` sets the values for Low, Mid and High Ref are set to 20%, 50% and 80% respectively.

`CUSTOM` allows setting other reference level percents.

Examples `MEASUREMENT:REFLEVELS:PERCENT:TYPE TENNINETY` sets the values for Low, Mid and High Ref to 10%, 50% and 90% respectively.

`MEASUREMENT:REFLEVELS:PERCENT:TYPE?` might return `:MEASUREMENT:REFLEVELS:PERCENT:TYPE CUSTOM` indicating that custom reference levels can be set.

MEASUREMENT:REFLEVELS:TYPE

This command sets or queries the shared reference level method used for sources of measurement calculations.

Group Measurement

Syntax `MEASUREMENT:REFLEVELS:TYPE {GLOBAL|PERSOURCE}`
 `MEASUREMENT:REFLEVELS:TYPE?`

Arguments	<code>GLOBAL</code> shares reference levels across measurements. <code>PERSOURCE</code> causes reference levels to be used on individual measurements.
Examples	<code>MEASUREMENT:REFLEVELS:TYPE PERSOURCE</code> causes reference levels to be used on individual measurements. <code>MEASUREMENT:REFLEVELS:TYPE?</code> might return <code>:MEASUREMENT:REFLEVELS:TYPE GLOBAL</code> indicating reference levels are shared across measurements.

MEASUREMENT:REF<x>:REFLEVELS:ABSOLUTE:FALLHIGH

This command sets or queries the value used as the high reference level of the falling edge when the measurement's ref level method is set to absolute.

Group	Measurement
Syntax	<code>MEASUREMENT:REF<x>:REFLEVELS:ABSOLUTE:FALLHIGH <NR3></code> <code>MEASUREMENT:REF<x>:REFLEVELS:ABSOLUTE:FALLHIGH?</code>
Arguments	<code><NR3></code> is the value used as the high reference level of the falling edge when the measurement's ref level method is set to absolute.
Examples	<code>MEASUREMENT:REF1:REFLEVELS:ABSOLUTE:FALLHIGH 1.5</code> sets the reference level to 1.5 V. <code>MEASUREMENT:REF1:REFLEVELS:ABSOLUTE:FALLHIGH?</code> might return <code>:MEASUREMENT:REF1:REFLEVELS:ABSOLUTE:FALLHIGH 1.0000</code> indicating the reference level is 1.0 V.

MEASUREMENT:REF<x>:REFLEVELS:ABSOLUTE:FALLLOW

This command sets or queries the value used as the low reference level of the falling edge when the measurement's ref level method is set to absolute.

Group	Measurement
Syntax	<code>MEASUREMENT:REF<x>:REFLEVELS:ABSOLUTE:FALLLOW <NR3></code> <code>MEASUREMENT:REF<x>:REFLEVELS:ABSOLUTE:FALLLOW?</code>

Arguments	<NR3> is the value used as the low reference level of the falling edge when the measurement's ref level method is set to absolute.
Examples	<p>MEASUREMENT:REF1:REFLEVELS:ABSOLUTE:FALLLOW -1.5 sets the low reference level to -1.5 V.</p> <p>MEASUREMENT:REF1:REFLEVELS:ABSOLUTE:FALLLOW? might return :MEASUREMENT:REF1:REFLEVELS:ABSOLUTE:FALLLOW -1.0000 indicating the low reference level is -1.0 V.</p>

MEASUREMENT:REF<x>:REFLEVELS:ABSOLUTE:FALLMID

This command sets or queries the value used as the mid reference level of the falling edge when the measurement's ref level method is set to absolute.

Group	Measurement
Syntax	<p>MEASUREMENT:REF<x>:REFLEVELS:ABSOLUTE:FALLMID <NR3></p> <p>MEASUREMENT:REF<x>:REFLEVELS:ABSOLUTE:FALLMID?</p>
Arguments	<NR3> is the value used as the mid reference level of the falling edge when the measurement's ref level method is set to absolute.
Examples	<p>MEASUREMENT:REF1:REFLEVELS:ABSOLUTE:FALLMID 50.0E-3 sets the mid reference level to 50.0 mV.</p> <p>MEASUREMENT:REF1:REFLEVELS:ABSOLUTE:FALLMID? might return :MEASUREMENT:REF1:REFLEVELS:ABSOLUTE:FALLMID 0.0E+0 indicating the reference level is 0.0 V.</p>

MEASUREMENT:REF<x>:REFLEVELS:ABSOLUTE:HYS TERESIS

This command sets or queries the value of the hysteresis of the reference level when the measurement's ref level method is set to absolute.

Group	Measurement
Syntax	<p>MEASUREMENT:REF<x>:REFLEVELS:ABSOLUTE:HYS TERESIS <NR3></p> <p>MEASUREMENT:REF<x>:REFLEVELS:ABSOLUTE:HYS TERESIS?</p>

Arguments <NR3> is the value of the hysteresis of the reference level when the measurement's ref level method is set to absolute.

Examples MEASUREMENT:REF1:REFLEVELS:ABSOLUTE:HYSTERESIS 20.0E-3 sets the hysteresis to 20.0 mV.

MEASUREMENT:REF1:REFLEVELS:ABSOLUTE:HYSTERESIS? might return
:MEASUREMENT:REF1:REFLEVELS:ABSOLUTE:HYSTERESIS 30.0000E-3
indicating the hysteresis is 30.0 mV.

MEASUREMENT:REF<x>:REFLEVELS:ABSOLUTE:RISEHIGH

This command sets or queries the value used as the high reference level of the rising edge when the measurement's ref level method is set to absolute.

Group Measurement

Syntax MEASUREMENT:REF<x>:REFLEVELS:ABSOLUTE:RISEHIGH <NR3>
MEASUREMENT:REF<x>:REFLEVELS:ABSOLUTE:RISEHIGH?

Arguments <NR3> is the value used as the high reference level of the rising edge when the measurement's ref level method is set to absolute.

Examples MEASUREMENT:REF1:REFLEVELS:ABSOLUTE:RISEHIGH 1.5 sets the reference level to 1.5 V.

MEASUREMENT:REF1:REFLEVELS:ABSOLUTE:RISEHIGH? might return
:MEASUREMENT:REF1:REFLEVELS:ABSOLUTE:RISEHIGH 1.0000 indicating
the reference level is 1.0 V.

MEASUREMENT:REF<x>:REFLEVELS:ABSOLUTE:RISELOW

This command sets or queries the value used as the low reference level of the rising edge when the measurement's ref level method is set to absolute.

Group Measurement

Syntax MEASUREMENT:REF<x>:REFLEVELS:ABSOLUTE:RISELOW <NR3>
MEASUREMENT:REF<x>:REFLEVELS:ABSOLUTE:RISELOW?

Arguments	<NR3> is the value used as the low reference level of the rising edge when the measurement's ref level method is set to absolute.
Examples	<p>MEASUREMENT:REF1:REFLEVELS:ABSOLUTE:RISELOW -1.5 sets the reference level to -1.5 V.</p> <p>MEASUREMENT:REF1:REFLEVELS:ABSOLUTE:RISELOW? might return :MEASUREMENT:REF1:REFLEVELS:ABSOLUTE:RISELOW -1.0000 indicating the reference level is -1.0 V.</p>

MEASUREMENT:REF<x>:REFLEVELS:ABSOLUTE:RISEMID

This command sets or queries the value used as the mid reference level of the rising edge when the measurement's ref level method is set to absolute.

Group	Measurement
Syntax	<p>MEASUREMENT:REF<x>:REFLEVELS:ABSOLUTE:RISEMID <NR3></p> <p>MEASUREMENT:REF<x>:REFLEVELS:ABSOLUTE:RISEMID?</p>
Arguments	<NR3> is the value used as the mid reference level of the rising edge when the measurement's ref level method is set to absolute.
Examples	<p>MEASUREMENT:REF1:REFLEVELS:ABSOLUTE:RISEMID 10.0E-3 sets the reference level to 10.0 mV.</p> <p>MEASUREMENT:REF1:REFLEVELS:ABSOLUTE:RISEMID? might return :MEASUREMENT:REF1:REFLEVELS:ABSOLUTE:RISEMID 0.0E+0 indicating the mid reference level is 0.0 V.</p>

MEASUREMENT:REF<x>:REFLEVELS:ABSOLUTE:TYPE

This command sets or queries the reference level type for the measurement.

Group	Measurement
Syntax	<p>MEASUREMENT:REF<x>:REFLEVELS:ABSOLUTE:TYPE {SAME UNIQUE}</p> <p>MEASUREMENT:REF<x>:REFLEVELS:ABSOLUTE:TYPE?</p>

Arguments	<p>SAME specifies that the absolute levels are set the same.</p> <p>UNIQUE specifies that the absolute levels can be set independently.</p>
Examples	<p>MEASUREMENT:REF1:REFLEVELS:ABSOLUTE:TYPE UNIQUE specifies that the absolute levels can be set independently.</p> <p>MEASUREMENT:REF1:REFLEVELS:ABSOLUTE:TYPE? might return :MEASUREMENT:REF1:REFLEVELS:ABSOLUTE:TYPE SAME indicating that the absolute levels are set the same.</p>

MEASUREMENT:REF<x>:REFLEVELS:BASETOP

This command sets or queries the method used to calculate the TOP and BASE, used to calculate reference levels for the measurement.

Group	Measurement
Syntax	MEASUREMENT:REF<x>:REFLEVELS:BASETOP
Arguments	<p>AUTO automatically chooses a reference level method.</p> <p>MINMAX specifies that reference levels are relative to the measurement MIN and MAX.</p> <p>MEANHISTOGRAM specifies that reference levels are relative to the histogram mean BASE and TOP.</p> <p>MODEHISTOGRAM specifies that reference levels are relative to the histogram mode BASE and TOP.</p> <p>EYEHISTOGRAM specifies that reference levels are relative to the eye histogram BASE and TOP.</p>
Examples	<p>MEASUREMENT:REF1:REFLEVELS:BASETOP MINMAX specifies that reference levels are relative to the measurement MIN and MAX.</p> <p>MEASUREMENT:REF1:REFLEVELS:BASETOP? might return :MEASUREMENT:REF1:REFLEVELS:BASETOP AUTO indicating the instrument automatically chooses a reference level method.</p>

MEASUREMENT:REF<x>:REFLEVELS:METHOD

This command sets or queries the method used to calculate reference levels for the measurement.

Group	Measurement
Syntax	MEASUREMENT:REF<x>:REFLEVELS:METHOD {PERCENT ABSOLUTE} MEASUREMENT:REF<x>:REFLEVELS:METHOD?
Arguments	<p>PERCENT specifies that the reference levels are calculated as a percent relative to HIGH and LOW. The percentages are defined using the MEASUREMENT:REF<x>:REFLEVEL:PERCENT commands.</p> <p>ABSOLUTE specifies that the reference levels are set explicitly using the MEASUREMENT:REF<x>:REFLEVEL:ABSOLUTE commands. This method is useful when precise values are required.</p>
Examples	<p>MEASUREMENT:REF1:REFLEVELS:METHOD ABSOLUTE specifies that the reference levels are set explicitly.</p> <p>MEASUREMENT:REF1:REFLEVELS:METHOD? might return :MEASUREMENT:REF1:REFLEVELS:METHOD PERCENT indicating the reference levels are calculated as a percent relative to HIGH and LOW.</p>

MEASUREMENT:REF<x>:REFLEVELS:PERCENT:FALLHIGH

This command sets or queries the percentage (where 99% is equal to TOP and 1% is equal to BASE) used to calculate the high reference level of the falling edge when the measurement's ref level method is set to percent.

Group	Measurement
Syntax	MEASUREMENT:REF<x>:REFLEVELS:PERCENT:FALLHIGH <NR3> MEASUREMENT:REF<x>:REFLEVELS:PERCENT:FALLHIGH?
Arguments	<NR3> is the percentage used to calculate the high reference level of the falling edge
Examples	<p>MEASUREMENT:REF1:REFLEVELS:PERCENT:FALLHIGH 95 sets the reference level to 95%.</p> <p>MEASUREMENT:REF1:REFLEVELS:PERCENT:FALLHIGH? might return :MEASUREMENT:REF1:REFLEVELS:PERCENT:FALLHIGH 90.0000 indicating the reference level is 90%.</p>

MEASUREMENT:REF<x>:REFLEVELS:PERCENT:FALLLOW

This command sets or queries the percentage (where 99% is equal to TOP and 1% is equal to BASE) used to calculate the low reference level of the falling edge when the measurement's ref level method is set to percent.

Group Measurement

Syntax MEASUREMENT:REF<x>:REFLEVELS:PERCENT:FALLLOW <NR3>
MEASUREMENT:REF<x>:REFLEVELS:PERCENT:FALLLOW?

Arguments <NR3> is the percentage used to calculate the low reference level

Examples MEASUREMENT:REF1:REFLEVELS:PERCENT:FALLLOW 5 sets the low reference level to 5%.

MEASUREMENT:REF1:REFLEVELS:PERCENT:FALLLOW? might return
:MEASUREMENT:REF1:REFLEVELS:PERCENT:FALLLOW 10.0000 indicating
the low reference level is 10%.

MEASUREMENT:REF<x>:REFLEVELS:PERCENT:FALLMID

This command sets or queries the percentage (where 99% is equal to TOP and 1% is equal to BASE) used to calculate the mid reference level of the falling edge when the measurement's ref level method is set to percent.

Group Measurement

Syntax MEASUREMENT:REF<x>:REFLEVELS:PERCENT:FALLMID <NR3>
MEASUREMENT:REF<x>:REFLEVELS:PERCENT:FALLMID?

Arguments <NR3> is the percentage used to calculate the mid reference level of the falling edge.

Examples MEASUREMENT:REF1:REFLEVELS:PERCENT:FALLMID 55 sets the reference level to 50%.

MEASUREMENT:REF1:REFLEVELS:PERCENT:FALLMID? might return
:MEASUREMENT:REF1:REFLEVELS:PERCENT:FALLMID 50.0000 indicating
the mid reference level is 50%.

MEASUREMENT:REF<x>:REFLEVELS:PERCENT:HYS TERESIS

This command sets or queries the percentage (where 99% is equal to MAX and 1% is equal to MIN) used to calculate the hysteresis of the reference level when the measurement's ref level method is set to percent.

Group	Measurement
Syntax	MEASUREMENT:REF<x>:REFLEVELS:PERCENT:HYS TERESIS <NR3> MEASUREMENT:REF<x>:REFLEVELS:PERCENT:HYS TERESIS?
Arguments	<NR3> is the percentage used to calculate the hysteresis of the reference level.
Examples	MEASUREMENT:REF1:REFLEVELS:PERCENT:HYS TERESIS 2 sets the hysteresis to 2%. MEASUREMENT:REF1:REFLEVELS:PERCENT:HYS TERESIS? might return :MEASUREMENT:REF1:REFLEVELS:PERCENT:HYS TERESIS 5.0000 indicating the hysteresis is 5%.

MEASUREMENT:REF<x>:REFLEVELS:PERCENT:RISEHIGH

This command sets or queries the percentage (where 99% is equal to TOP and 1% is equal to BASE) used to calculate the high reference level of the rising edge when the measurement's ref level method is set to percent.

Group	Measurement
Syntax	MEASUREMENT:REF<x>:REFLEVELS:PERCENT:RISEHIGH <NR3> MEASUREMENT:REF<x>:REFLEVELS:PERCENT:RISEHIGH?
Arguments	<NR3> is the percentage used to calculate the high reference level of the rising edge
Examples	MEASUREMENT:REF1:REFLEVELS:PERCENT:RISEHIGH 95 sets the reference level to 95%. MEASUREMENT:REF1:REFLEVELS:PERCENT:RISEHIGH? might return :MEASUREMENT:REF1:REFLEVELS:PERCENT:RISEHIGH 90.0000 indicating the reference level is 90%.

MEASUREMENT:REF<x>:REFLEVELS:PERCENT:RISELOW

This command sets or queries the percentage (where 99% is equal to TOP and 1% is equal to BASE) used to calculate the low reference level of the rising edge when the measurement's ref level method is set to percent.

Group	Measurement
Syntax	MEASUREMENT:REF<x>:REFLEVELS:PERCENT:RISELOW <NR3> MEASUREMENT:REF<x>:REFLEVELS:PERCENT:RISELOW?
Arguments	<NR3> is the percentage used to calculate the low reference level of the rising edge.
Examples	MEASUREMENT:REF1:REFLEVELS:PERCENT:RISELOW 5 sets the low reference level to 5%. MEASUREMENT:REF1:REFLEVELS:PERCENT:RISELOW? might return :MEASUREMENT:REF1:REFLEVELS:PERCENT:RISELOW 10.0000 indicating the reference level is 10%.

MEASUREMENT:REF<x>:REFLEVELS:PERCENT:RISEMID

This command sets or queries the percentage (where 99% is equal to TOP and 1% is equal to BASE) used to calculate the mid reference level of the rising edge when the measurement's ref level method is set to percent.

Group	Measurement
Syntax	MEASUREMENT:REF<x>:REFLEVELS:PERCENT:RISEMID <NR3> MEASUREMENT:REF<x>:REFLEVELS:PERCENT:RISEMID?
Arguments	<NR3> is the percentage used to calculate the mid reference level of the rising edge.
Examples	MEASUREMENT:REF1:REFLEVELS:PERCENT:RISEMID 55 sets the mid reference level to 55%. MEASUREMENT:REF1:REFLEVELS:PERCENT:RISEMID? might return :MEASUREMENT:REF1:REFLEVELS:PERCENT:RISEMID 50.0000 indicating the mid reference level is 50%.

MEASUREMENT:REF<x>:REFLEVELS:PERCENT:TYPE

This command sets or queries the reference level percent type for the measurement.

Group	Measurement
Syntax	MEASUREMENT:REF<x>:REFLEVELS:PERCENT:TYPE {TENNINETY TWENTYEIGHTY CUSTOM} MEASUREMENT:REF<x>:REFLEVELS:PERCENT:TYPE?
Arguments	TENNINETY sets the values for Low, Mid and High Ref to 10%, 50% and 90% respectively. TWENTYEIGHTY sets the values for Low, Mid and High Ref are set to 20%, 50% and 80% respectively. CUSTOM allows setting other reference level percents.
Examples	MEASUREMENT:REF1:REFLEVELS:PERCENT:TYPE TWENTYEIGHTY sets the values for Low, Mid and High Ref are set to 20%, 50% and 80% respectively. MEASUREMENT:REF1:REFLEVELS:PERCENT:TYPE? might return :MEASUREMENT:REF1:REFLEVELS:PERCENT:TYPE TENNINETY indicating the values for Low, Mid and High Ref to 10%, 50% and 90% respectively.

MEASUREMENT:RESULTS:HISTORY:START

This command sets or queries the starting acquisition number for transferring measurement history results.

Group	Measurement
Syntax	MEASUREMENT:RESULTS:HISTORY:START <NR1> MEASUREMENT:RESULTS:HISTORY:START?
Related Commands	MEASUREMENT:RESULTS:HISTORY:STOP , MEASUREMENT:MEAS<x>:RESULTS:HISTORY:MAXIMUM? , MEASUREMENT:MEAS<x>:RESULTS:HISTORY:MEAN? , MEASUREMENT:MEAS<x>:RESULTS:HISTORY:MINIMUM? , MEASUREMENT:MEAS<x>:RESULTS:HISTORY:PK2PK? ,

[MEASUREMENT:MEAS<x>:RESULTS:HISTORY:POPULATION?](#),

[MEASUREMENT:MEAS<x>:RESULTS:HISTORY:STDDDEV?](#)

Arguments <NR1> is the first acquisition that will be transferred, which ranges from 1 to the number of history acquisitions. Results will be transferred from acquisitions <NR1> to `MEASUREMENT:RESULTS:HISTORY:STOP`.

Examples `MEASUREMENT:RESULTS:HISTORY:START 25` specifies that measurement history results transfer will begin with acquisition 25.

`MEASUREMENT:RESULTS:HISTORY:START?` might return `:MEASUREMENT:RESULTS:HISTORY:START 10` indicating that measurement history results transfer will begin at acquisition 10.

MEASUREMENT:RESULTS:HISTORY:STOP

This command sets or queries the last acquisition number that will be transferred for measurement history results.

Group Measurement

Syntax `MEASUREMENT:RESULTS:HISTORY:STOP <NR1>`
`MEASUREMENT:RESULTS:HISTORY:STOP?`

Related Commands [MEASUREMENT:RESULTS:HISTORY:START](#),
[MEASUREMENT:MEAS<x>:RESULTS:HISTORY:MAXIMUM?](#),
[MEASUREMENT:MEAS<x>:RESULTS:HISTORY:MEAN?](#),
[MEASUREMENT:MEAS<x>:RESULTS:HISTORY:MINIMUM?](#),
[MEASUREMENT:MEAS<x>:RESULTS:HISTORY:PK2PK?](#),
[MEASUREMENT:MEAS<x>:RESULTS:HISTORY:POPULATION?](#),
[MEASUREMENT:MEAS<x>:RESULTS:HISTORY:STDDDEV?](#)

Arguments <NR1> is the last acquisition that will be transferred, which ranges from 1 to the number of history acquisitions. Results will be transferred from `MEASUREMENT:RESULTS:HISTORY:START` to <NR1>. A special value of 0 for <NR1> indicates that the stop position is always the last history acquisition.

Examples `MEASUREMENT:RESULTS:HISTORY:STOP 50` specifies that measurement history results transfer will end with acquisition 50.

`MEASUREMENT:RESULTS:HISTORY:STOP?` might return `:MEASUREMENT:RESULTS:HISTORY:STOP 0` indicating that measurement history results transfer will end with the last history acquisition.

MEASUREMENT:STATISTICS:CYCLEMODE

This command turns on and off cycle to cycle measurement statistics tracking and affects computation and display of cycle-cycle statistics in the Measurement Result table. It affects measurement statistics after being enabled and after new data is acquired and measured.

Group Measurement

Syntax `MEASUREMENT:STATISTICS:CYCLEMODE {OFF|ON|0|1}`
`MEASUREMENT:STATISTICS:CYCLEMODE?`

Arguments `OFF` turns off statistics for all measurements. This is the default value.

`ON` turns on statistics and displays all statistics for each measurement.

`0` turns off statistics for all measurements.

`1` turns on statistics and displays all statistics for each measurement.

Examples `MEASUREMENT:STATISTICS:CYCLEMODE OFF` turns off statistics for all measurements.

`MEASUREMENT:STATISTICS:CYCLEMODE?` might return `:MEASUREMENT:STATISTICS:CYCLEMODE 1` indicating that statistics are displayed for each measurement.

MEASUREMENT:WBG:PDEVICE

This command sets or returns the type of the Power device.

Conditions Requires a WBG-DPT license.

Group Measurement, WBG

Syntax	<code>MEASUREMENT:WBG:PDEVICE {IGBT MOSFET}</code> <code>MEASUREMENT:WBG:PDEVICE?</code>
Arguments	IGBT specifies the type of the Power device as IGBT. MOSFET specifies the type of the Power device as MOSFET.
Examples	<code>MEASUREMENT:WBG:PDEVICE MOSFET</code> sets the type of the Power device to MOSFET. <code>MEASUREMENT:WBG:PDEVICE?</code> might return <code>:MEASUREMENT:WBG:PDEVICE MOSFET</code> indicating that the type of the Power device is MOSFET.

NEWpass (No Query Form)

This command (no query form) changes the password that enables access to password protected data. The `PASSWord` command must be successfully executed before using this command or an execution error will be generated.

Group	Miscellaneous
Syntax	<code>NEWpass <QString></code>
Related Commands	PASSWord *PUD
Arguments	<code><QString></code> is the new password, which can contain up to 10 characters.
Examples	<code>NEWPASS"mypassword"</code> creates a new password (mypassword) for accessing your protected data.

*OPC

This command generates the operation complete message in the Standard Event Status Register (SESR) when all pending commands that generate an OPC message are complete. The `*OPC?` query places the ASCII character "1" into the output queue when all such OPC commands are complete. The `*OPC?` response is not available to read until all pending operations finish. For a complete discussion of the use of these registers and the output queue, see [Registers and Queues](#).

The *OPC command allows you to synchronize the operation of the instrument with your application program. For more information, see Synchronization Methods. Refer to the *Oscilloscope operations that can generate OPC* table for a list of commands that generate an OPC message. (See Table 3-3.)

Group Status and Error

Syntax *OPC
*OPC?

Related Commands [BUSY?](#)
[*WAI](#)

Examples *OPC generates the operation complete message in the SESR at the completion of all pending OPC operations.
*OPC? might return 1 to indicate that all pending OPC operations are finished.

*OPT? (Query Only)

This query-only command returns a comma separated list of installed options as an arbitrary ASCII string (no quotes) of the form:

<optionCode>:<optionDescription>,<optionCode>:<optionDescription>...

The last section of each entry (the text following the last hyphen) indicates the license type.

If no options are found, NONE is returned.

Group Status and Error

Syntax *OPT?

Examples *OPT? response (with each option listed on a separate line for clarity):
5-BW-1000 – 1 GHz ,
5-DJA – Advanced Jitter and Eye Analysis– NODE.

PASSWord (No Query Form)

This command (no query form) enables the *PUD and NEWpass set commands. Sending PASSWord without any arguments disables these same commands. Once the password is successfully entered, the *PUD and NEWpass commands are enabled until the instrument is powered off, or until the FACtory command, the PASSWord command with no arguments, or the *RST command is issued.

To change the password, you must first enter the valid password with the PASSWord command and then change to your new password with the NEWpass command. Remember that the password is case sensitive.

Group	Miscellaneous
Syntax	PASSword <QString>
Related Commands	NEWpass *PUD
Arguments	<QString> is the password, which can contain up to 10 characters. The factory default password is “XYZZY” and is always valid.
Examples	PASSWORD "XYZZY" enables the *PUD and NEWPass set commands. PASSWORD disables the *PUD and NEWPass set commands. You can still use the query version of *PUD.

PAUSE (No Query Form)

This command causes the interface to pause the specified number of seconds before processing any other commands.

Group	Miscellaneous
Syntax	PAUSE <NR3>
Arguments	<NR3> is the specified number of seconds the interface is to pause before processing any other commands. The pause time is specified as a floating point value in seconds and must be > 0.0 and ≥ 1800.0 .

Examples PAUSE 10.0e0; :ACQUIRE:NUMACQ causes the interface to pause 10 seconds before returning the number of acquisitions.

PEAKSTABLE:ADDNew (No Query Form)

This command adds the specified peak markers table.

Group Spectrum View

Syntax PEAKSTABLE:ADDNew <QString>

Arguments <QString> is a quoted string that is the name of the new peak markers table. The argument is of the form "TABLE<NR1>", where <NR1> \geq 1.

Examples PEAKSTABLE:ADDNEW "Table1" adds peak markers table, Table1.

PEAKSTABLE:DELEte (No Query Form)

This command deletes the specified peak markers table.

Group Spectrum View

Syntax PEAKSTABLE:DELEte <QString>

Arguments <QString> is a quoted string that is the name of the peak markers table to delete. The argument is of the form "TABLE<NR1>", where <NR1> \geq 1.

Examples PEAKSTABLE:DELETE "Table1" deletes peak markers table, Table1.

PEAKSTABLE:LIST? (Query Only)

This command deletes the specified peak markers table.

Group Spectrum View

Syntax PEAKSTABLE:LIST?

Returns Returns a list of all currently defined peak markers tables.

Examples PEAKSTABLE:LIST? might return :PEAKSTABLE:LIST TABLE1 , indicating TABLE1 is currently the only defined peak markers table.

PEAKSTABLE:TABLE<x>:FRESolution

This command sets or queries the Frequency Resolution state for peak markers table.

Group Plot

Syntax PEAKSTABLE:TABLE<x>:FRESolution {AUTO|PRECISE}
PEAKSTABLE:TABLE<x>:FRESolution?

Arguments AUTO shows the frequency with the same precision as shown in the Spectrum View display.

PRECISE shows the frequency down to single Hz resolution.

Examples PEAKSTABLE:TABLE1:FRESolution AUTO sets Frequency Resolution to Auto.
PEAKSTABLE:TABLE1:FRESolution? might return :PEAKSTABLE:TABLE1:FRESolution AUTO, indicating Frequency Resolution is Auto.

PILOGger:FILENAME

This command sets or queries the location where the programmatic interface command log will be saved.

Group Miscellaneous

Syntax PILOGger:FILENAME <QString>
PILOGger:FILENAME?

Related Commands [PILOGger:STATE](#)

Arguments <QString> is a quoted string that defines the file path that specifies the location to save the command log, in the format '[<path>]<filename.ext>'. Specifying a

path is optional. If no path is entered, the instrument will search in the current working directory as set in [FILESystem:CWD](#).

Examples `PILOGger:FILENAME`
`"C:/Users/Tek_Local_Admin/Tektronix/TekScope/piCmdLog.txt"`
 sets this as the location to save the PI command log.

`PILOGger:FILENAME?` might return `:PILOGger:FILENAME`
`"command_log.txt"`, indicating the PI command log will be saved in the current working directory with the file name `command_log.txt`.

PILOGger:STATE

This command sets or queries the state of the programmatic interface command log. If the location specified by [PILOGger:FILENAME](#) does not exist or is not writable, attempts to turn the PI command logger ON will fail, and the state will be set to 0 (OFF).

Group Miscellaneous

Syntax `PILOGger:STATE {<NR1>|OFF|ON}`
`PILOGger:STATE?`

Related Commands [PILOGger:FILENAME](#)

Arguments `<NR1> = 0` disables the PI command logger; any other value turns the PI command logger on.

OFF disables the PI command logger.

ON enables the PI command logger.

Examples `PILOGger:STATE ON` enables the PI command logger.

`PILOGger:STATE?` might return `:PILOGger:STATE 0`, indicating the PI command logger is disabled.

PLOT:ADDNew (No Query Form)

This command adds the specified plot.

Group Plot

Syntax PLOT:ADDNew <QString>

Arguments <QString> is the specified plot. The argument is of the form "PLOT<NR1>", where <NR1> \geq 1.

Examples PLOT:ADDNEW "PLOT1" adds PLOT1.

PLOT:DELeTe (No Query Form)

This command deletes the specified plot.

Group Plot

Syntax PLOT:DELeTe <QString>

Arguments <QString> is the specified plot. Argument is of the form "PLOT<NR1>, where <NR1> is \geq 1).

Examples PLOT:DELETE "PLOT1" deletes PLOT1.

PLOT:LIST? (Query Only)

This command lists all currently defined plots.

Group Plot

Syntax PLOT:LIST?

Returns A list of all currently defined plots is returned.

Examples PLOT:LIST? might return :PLOT:LIST
PLOT1, PLOT3, PLOT4, PLOT5, PLOT6, PLOT7 listing all currently defined plots.

PLOT:PLOT<x>:BATHtub:BER

This command sets or queries the bathtub BER value.

Group	Plot
Syntax	PLOT:PLOT<x>:BAThtub:BER <NR1> PLOT:PLOT<x>:BAThtub:BER?
Arguments	<NR1> is the bathtub BER value.
Examples	PLOT:PLOT1:BAThtub:BER 16 sets the BER value to 16. PLOT:PLOT1:BAThtub:BER? might return :PLOT:PLOT1:BATHTUB:BER 14 indicating the BER value is 14.

PLOT:PLOT<x>:BAThtub:XAXISUnits

This command sets or queries the X-Axis unit, either unit intervals or seconds.

Group	Plot
Syntax	PLOT:PLOT<x>:BAThtub:XAXISUnits {UNITIntervals SECONDS} PLOT:PLOT<x>:BAThtub:XAXISUnits?
Arguments	UNITIntervals specifies units as unit intervals. SECONDS specifies units as seconds.
Examples	PLOT:PLOT1:BAThtub:XAXISUnits SECONDS sets the units to seconds. PLOT:PLOT1:BAThtub:XAXISUnits? might return SECONDS.

PLOT:PLOT<x>:BITType

This command sets or queries the bit type to display for the specified eye diagram plot.

Group	Plot
Syntax	PLOT:PLOT<x>:BITType {ALLBits TRANSition NONTRANSition} PLOT:PLOT<x>:BITType?

Arguments PLOT<x> is the plot number.

ALLBITS sets the eye diagram plot to show both transition and nontransition bits.

TRANSITION sets the eye diagram plot to show only bits where a logic level transition occurs.

NONTRANSITION sets the eye diagram plot to show only bits where no logic level transition occurs.

Examples PLOT:PLOT1:BITType TRANSITION sets the eye diagram in Plot 1 to only show transition bits.

PLOT:PLOT3:BITType? might return ALLBITS, indicating that the eye diagram in Plot 3 is set to show both transition and nontransition bits in the plot.

PLOT:PLOT<x>:EINTERpolation

This command sets or queries whether dot mode eye diagram is enabled.

Group Plot

Syntax PLOT:PLOT<x>:EINTERpolation {ON|OFF}
PLOT:PLOT<x>:EINTERpolation?

Arguments PLOT<x> is the plot number.

ON enables interpolation between samples .

OFF disables interpolation between samples .

Examples PLOT:PLOT2:EINTERpolation ON enables interpolation for plot 2.

PLOT:PLOT2:EINTERpolation? might return
:PLOT:PLOT2:EINTERpolation ON, indicating that eye interpolation is enabled for plot 2.

PLOT:PLOT<x>:EXPORTRaw? (Query Only)

This command returns a binary stream of double values containing the x,y and hits value. Use this command along with MEASUREMENT:ADDMEAS TIE, PLOT:PLOT1:TYPE EYEDIAGRAM, DISPLAY:SELECT:VIEW plotview1 to export the eye diagram plot data.

Group	Plot
Syntax	PLOT:PLOT<x>:EXPORTRaw?
Related Commands	MEASUrement:ADDMEAS DISplay:SElect:VIEW PLOT:PLOT<x>:TYPE
Returns	A binary stream of double values containing the x,y and hits value. The data that is returned is of binary format.
Examples	PLOT:PLOT1:EXPORTRaw? might return :#73000000{øø\$y%,,`Æ B @, indicating the x,y and hits value.

PLOT:PLOT<x>:EXTENDuis

This command sets or queries number of UIs surrounding the eye boundary UIs that are used for fast eye rendering.

Conditions	Requires option DJA.
Group	Plot
Syntax	PLOT:PLOT<x>:EXTENDuis <NR1> PLOT:PLOT<x>:EXTENDuis?
Arguments	PLOT<x> is the plot number. <NR1> is the number of surrounding UIs.
Examples	PLOT:PLOT2:EXTENDUIS 250 sets fast eye rendering to use 250 UIs in plot 2. PLOT:PLOT2:EXTENDUIS? might return :PLOT:PLOT2:EXTENDUIS 250, indicating that 250 UIs are used for fast eye rendering in plot 2.

PLOT:PLOT<x>:EYERender

This command sets or queries the eye rendering method for the specified plot.

Conditions	Requires option DJA.
Group	Plot
Syntax	PLOT:PLOT<x>:EYERender {FASt COMPlete} PLOT:PLOT<x>:EYERender?
Arguments	PLOT<x> is the plot number. FASt sets the eye rendering method to fast. COMPlete sets the eye rendering method to complete.
Examples	PLOT:PLOT2:EYERENDER FASt enables fast eye rendering for plot 2. PLOT:PLOT2:EYERENDER? might return :PLOT:PLOT2:EYERENDER FASt, indicating that fast eye rendering is enabled in plot 2.

PLOT:PLOT<x>:INTerpolate

This command turns on or off the interpolation state for SOA plot.

Conditions	Requires option 5-PWR.
Group	Power
Syntax	PLOT:PLOT<x>:INTerpolate {ON OFF} PLOT:PLOT<x>:INTerpolate?
Arguments	PLOT<x> is the plot number. ON specifies the interpolation state has been turned on for SOA plot. OFF specifies the interpolation state has been turned off for SOA plot.
Examples	PLOT:PLOT2:INTerpolate ON specifies the interpolation state has been turned on for SOA plot. PLOT:PLOT2:INTerpolate? might return :PLOT:PLOT2:INTerpolate ON, indicating the interpolation state is on for SOA plot.

PLOT:PLOT<x>:IMDA:MEAS

This command sets or returns the measurement selection of trend plot and acq trend plot.

Conditions Requires option IMDA.

Group Plot

Syntax PLOT:PLOT<x>:IMDA:MEAS {VRMS |IRMS |PHASE |FREQuency |TRPWR |REPWR |APPPWR |TRPWRSUM |REPWRSUM |APPPWRSUM |DCPWR |INPWR |OUTPWR |EFFiciency |TOTALEFFiciency |INPWRSUM |OUTPWRSUM}
PLOT:PLOT<x>:IMDA:MEAS?

Arguments PLOT<x> is the plot number.

VRMS sets the IMDA measurement selection to VRMS.

IRMS sets the IMDA measurement selection to IRMS.

PHASE sets the IMDA measurement selection to PHASE.

FREQuency sets the IMDA measurement selection to FREQuency.

TRPWR sets the IMDA measurement selection to TRPWR.

REPWR sets the IMDA measurement selection to REPWR.

APPPWR sets the IMDA measurement selection to APPPW.

TRPWRSUM sets the IMDA measurement selection to TRPWRSUM.

REPWRSUM sets the IMDA measurement selection to REPWRSUM.

APPPWRSUM sets the IMDA measurement selection to APPPWRSUM.

DCPWR sets the IMDA measurement selection to DCPWR. This selection is applicable only for acq trend plots.

INPWR sets the IMDA measurement selection to INPWR. This selection is applicable only for acq trend plots.

OUTPWR sets the IMDA measurement selection to OUTPWR. This selection is applicable only for acq trend plots.

EFFiciency sets the IMDA measurement selection to EFFiciency.

TOTALEFFiciency sets the IMDA measurement selection to TOTALEFFiciency. This selection is applicable only for acq trend plots.

INPWRSUM sets the IMDA measurement selection to INPWRSUM. This selection is applicable only for acq trend plots.

OUTPWRSUM sets the IMDA measurement selection to OUTPWRSUM. This selection is applicable only for acq trend plots.

Examples PLOT:PLOT1:IMDA:MEAS VRMS sets the measurement selection to VRMS.
PLOT:PLOT1:IMDA:MEAS? might return :PLOT:PLOT1:IMDA:MEAS VRMS indicating the measurement selection is set to VRMS.

PLOT:PLOT<x>:IMDAPLOTDisplay

This command sets or returns the IMDA time trend and acq trend plot display configuration.

Conditions Requires option IMDA.

Group Plot

Syntax PLOT:PLOT<x>:IMDAPLOTDisplay {ALL |ONEPAIRVI |ONEPAIRV
|ONEPAIRI |PHASEONE |PHASETWO |PHASETHREE |ABC |DQ0}
PLOT:PLOT<x>:IMDAPLOTDisplay?

Arguments PLOT<x> is the plot number.

ALL sets the IMDA time trend and acq trend plot display configuration to ALL.

ONEPAIRVI sets the IMDA time trend and acq trend plot display configuration to ONEPAIRVI.

ONEPAIRV sets the IMDA time trend and acq trend plot display configuration to ONEPAIRV.

ONEPAIRI sets the IMDA time trend and acq trend plot display configuration to ONEPAIRI.

PHASEONE sets the IMDA time trend and acq trend plot display configuration to PHASEONE.

PHASETWO sets the IMDA time trend and acq trend plot display configuration to PHASETWO.

PHASETHREE sets the IMDA time trend and acq trend plot display configuration to PHASETHREE.

ABC sets the IMDA time trend plot display to ABC.

DQ0 sets the IMDA time trend plot display to DQ0.

Examples PLOT:PLOT1:IMDAPLOTDisplay ALL sets the plot display configuration to all.
 PLOT:PLOT1:IMDAPLOTDisplay? might return
 :PLOT:PLOT1:IMDAPLOTDisplay ALL indicating the plot display configuration is set to all.

PLOT:PLOT<x>:LABel:COLor

This command sets or queries the color of the specified trend label. This command/query only applies to Time Trend plots.

Group Plot

Syntax PLOT:PLOT<x>:LABel:COLor <QString>
 PLOT:PLOT<x>:LABel:COLor?

Arguments <QString> is the label color. The default color is specified by a quoted empty string, and is the only available color.

Examples PLOT:PLOT2:LABel:COLor " " sets the plot color to the default color.
 PLOT:PLOT2:LABel:COLor? might return :PLOT:PLOT2:LABel:COLor "" indicating the plot color is the default color.

PLOT:PLOT<x>:LABel:FONT:BOLD

This command sets or queries the bold state of the specified trend label. This command/query only applies to Time Trend plots.

Group Plot

Syntax PLOT:PLOT<x>:LABel:FONT:BOLD {<NR1>|OFF|ON}
 PLOT:PLOT<x>:LABel:FONT:BOLD?

Arguments <NR1> = 0 disables bold font; any other value turns this feature on.
 OFF disables bold font.
 ON enables bold font.

Examples `PLOT:PLOT1:LABEL:FONT:BOLD 1` sets the label to a bold font.
`PLOT:PLOT1:LABEL:FONT:BOLD?` might return
`:PLOT:PLOT1:LABEL:FONT:BOLD 1` indicating the label is bold.

PLOT:PLOT<x>:LABEl:FONT:ITALic

This command sets or queries the italic state of the specified trend label. This command/query only applies to Time Trend plots.

Group Plot

Syntax `PLOT:PLOT<x>:LABEl:FONT:ITALic {<NR1>|OFF|ON}`
`PLOT:PLOT<x>:LABEl:FONT:ITALic?`

Arguments `<NR1> = 0` disables italic font; any other value turns this feature on.
`OFF` disables italic font.
`ON` enables italic font.

Examples `PLOT:PLOT1:LABEl:FONT:ITALic 1` sets the font to italic.
`PLOT:PLOT1:LABEl:FONT:ITALic?` might return
`:PLOT:PLOT1:LABEL:FONT:ITALIC 0` indicating the font in not italic.

PLOT:PLOT<x>:LABEl:FONT:SIZE

This command sets or queries the font size of the specified trend label. This command/query only applies to Time Trend plots.

Group Plot

Syntax `PLOT:PLOT<x>:LABEl:FONT:SIZE <NR1>`
`PLOT:PLOT<x>:LABEl:FONT:SIZE?`

Arguments `<NR1>` is the font size.

Examples `PLOT:PLOT1:LABEl:FONT:SIZE 12` sets the font size to 12 points.
`PLOT:PLOT1:LABEl:FONT:SIZE?` might return
`:PLOT:PLOT1:LABEL:FONT:SIZE 72` indicating the font size is 72 points.

PLOT:PLOT<x>:LABel:FONT:TYPE

This command sets or queries the font type of the specified trend label, such as Arial or Times New Roman. This command/query only applies to Time Trend plots.

Group	Plot
Syntax	PLOT:PLOT<x>:LABel:FONT:TYPE <QString> PLOT:PLOT<x>:LABel:FONT:TYPE?
Arguments	<QString> is the font type: Times New Roman, Arial, Frutiger LT Std 55 Roman, DejaVu Sans, DejaVu Sans Mono, Frutiger LT Std, Monospace, Sans Serif, Serif, Ubuntu, Ubuntu Condensed, and Ubuntu Mono.
Examples	PLOT:PLOT1:LABel:FONT:TYPE Arial sets the font type to Arial. PLOT:PLOT1:LABel:FONT:TYPE? might return :PLOT:PLOT1:LABel:FONT:TYPE "Frutiger LT Std 55 Roman" indicating the font type is Frutiger LT Std 55 Roman.

PLOT:PLOT<x>:LABel:FONT:UNDERline

This command sets or queries the underline state of the specified trend label. This command/query only applies to Time Trend plots.

Group	Plot
Syntax	PLOT:PLOT<x>:LABel:FONT:UNDERline {<NR1> OFF ON} PLOT:PLOT<x>:LABel:FONT:UNDERline?
Arguments	<NR1> = 0 disables underline font; any other value turns this feature on. OFF disables underline font. ON enables underline font.
Examples	PLOT:PLOT1:LABel:FONT:UNDERline 1 set the font to underlined. PLOT:PLOT1:LABel:FONT:UNDERline? :PLOT:PLOT1:LABel:FONT:UNDERLINE 0 indicating the font is underlined.

PLOT:PLOT<x>:LABel:NAME

This command sets or queries the specified trend's label. This command/query only applies to Time Trend plots.

Group Plot

Syntax PLOT:PLOT<x>:LABel:NAME <QString>
PLOT:PLOT<x>:LABel:NAME?

Arguments <QString> is the label.

Examples PLOT:PLOT1:LABel:NAME "Time Trend number 1" sets the plot name to Time Trend number 1.
PLOT:PLOT1:LABel:NAME? might return :PLOT:PLOT1:LABEL:NAME "This is a label test plot" indicating the label name is This is a label test plot.

PLOT:PLOT<x>:LABel:XPOS

This command sets or queries the x-position of the specified trend label. This command/query only applies to Time Trend plots.

Group Plot

Syntax PLOT:PLOT<x>:LABel:XPOS <NR3>
PLOT:PLOT<x>:LABel:XPOS?

Arguments <NR3> is the y-position, in pixels relative to the left edge of the display, of the label.

Examples PLOT:PLOT1:LABel:XPOS 200 sets the X position to 200.
PLOT:PLOT1:LABel:XPOS? might return :PLOT:PLOT1:LABEL:XPOS 45.0000 indicating the X position is 45.0 pixels to the right of the left edge of the display.

PLOT:PLOT<x>:LABel:YPOS

This command sets or queries the y-position of the specified trend label. This command/query only applies to Time Trend plots.

Group	Plot
Syntax	PLOT:PLOT<x>:LABE1:YPOS <NR3> PLOT:PLOT<x>:LABE1:YPOS?
Arguments	<NR3> is the x-position, in pixels relative to the baseline of the waveform, of the label.
Examples	PLOT:PLOT1:LABE1:YPOS 100 sets the Y position to 100. PLOT:PLOT1:LABE1:YPOS? might return :PLOT:PLOT1:LABEL:YPOS 0.0E+0 indicating the Y position of the label is at the baseline of the waveform.

PLOT:PLOT<x>:MASK? (Query Only)

This command returns the name of the mask test associated with the specified eye diagram plot.

Group	Plot
Syntax	PLOT:PLOT<x>:MASK?
Arguments	PLOT<x> is the plot number.
Returns	<String> is a quoted string that contains the name of the eye diagram mask test associated with the specified plot. If a plot does not have an eye diagram mask test, the command returns an empty string "".
Examples	PLOT:PLOT1:MASK? might return "mask2", indicating that the eye diagram mask test mask2 is associated with plot 1.

PLOT:PLOT<x>:MASKOffset:HORizontal:AUTOfit

This command enables or disables eye mask autofit in the specified plot.

Conditions Requires option 5-DJA or 6-DJA (Advanced Jitter Analysis).

Group Plot

Syntax PLOT:PLOT<x>:MASKOffset:HORizontal:AUTOfit {ON|OFF}
PLOT:PLOT<x>:MASKOffset:HORizontal:AUTOfit?

Arguments PLOT<x> is the plot number.
ON enables eye mask autofit.
OFF disables eye mask autofit.

Examples PLOT:PLOT1:MASKOffset:HORizontal:AUTOfit ON enables the eye mask autofit in mask plot 1.
PLOT:PLOT2:MASKOffset:HORizontal:AUTOfit? might return :PLOT:PLOT2:MASKOffset:HORizontal:AUTOfit 0, indicating that mask autofit is disabled in mask plot 2.

PLOT:PLOT<x>:NUMBins

This command sets or queries the current histogram resolution.

Group Plot

Syntax PLOT:PLOT<x>:NUMBins {TWENTYfive| FIFTY| HUNDred| TWOFifty| FIVEHundred| TWOTHousand| MAXimum}
PLOT:PLOT<x>:NUMBins?

Arguments TWENTYfive sets the number of bins to 25.
FIFTY sets the number of bins to 50.
HUNDred sets the number of bins to 100.
TWOFifty sets the number of bins to 250.
FIVEHundred sets the number of bins to 500.
TWOTHousand sets the number of bins to 2000.
MAXimum sets the number of bins to the maximum value.

Examples PLOT:PLOT4:NUMBins TWENTYFIVE sets the number of bins to 25.
PLOT:PLOT4:NUMBins? might return :PLOT:PLOT4:NUMBINS TWOFIFTY indicating the histogram resolution is 250 bins.

PLOT:PLOT<x>:MASKOffset:PERCENTui:FROM

This command sets or queries the allowed range for the mask to move in the left direction. Only applies to eye diagram plots.

Group	Plot
Syntax	PLOT:PLOT<x>:MASKOffset:PERCENTui:FROM <NR3> PLOT:PLOT<x>:MASKOffset:PERCENTui:FROM?
Arguments	PLOT<x> is the plot number. <NR3> is the allowed range in percentage for the mask to move in the left direction.
Examples	PLOT:PLOT1:MASKOffset:PERCENTui:FROM 10 sets the mask movement range (From) to 10%. PLOT:PLOT1:MASKOffset:PERCENTui:FROM? might return :PLOT:PLOT1:MASKOffset:PERCENTui:FROM 10.0, indicating the mask movement range (From) is 10%.

PLOT:PLOT<x>:MASKOffset:PERCENTui:TO

This command sets or queries the allowed range for the mask to move in the right direction. Only applies to eye diagram plots.

Group	Plot
Syntax	PLOT:PLOT<x>:MASKOffset:PERCENTui:TO <NR3> PLOT:PLOT<x>:MASKOffset:PERCENTui:TO?
Arguments	PLOT<x> is the plot number. <NR3> is the allowed range in percentage for the mask to move in the right direction.
Examples	PLOT:PLOT1:MASKOffset:PERCENTui:TO 10 sets the mask movement range (To) to 10%. PLOT:PLOT1:MASKOffset:PERCENTui:TO? might return :PLOT:PLOT1:MASKOffset:PERCENTui:TO 10.0, indicating the mask movement range (To) is 10%.

PLOT:PLOT<x>:PREGion

This command sets or returns the pulse region for recovery plot.

Conditions Requires WBG-DPT License.

Group Plot

Syntax PLOT:PLOT<x>:PREGion {SELECTED|ALL}
PLOT:PLOT<x>:PREGion?

Arguments PLOT<x> is the plot number.
SELECTED specifies the pulse region for recovery plot as selected.
ALL specifies the pulse region for recovery plot as all.

Examples PLOT:PLOT2:PREGion SELECTED sets the pulse region for recovery plot as selected.
PLOT:PLOT1:PREGion? might return :PLOT:PLOT1:PREGion? SELECTED indicating the pulse region for recovery plot is selected.

PLOT:PLOT<x>:PSIJ

This command sets or returns the plot data type for respective PSIJ plot.

Group DPM

Syntax PLOT:PLOT<x>:PSIJ {ORIGINAL|EMULATED}
PLOT:PLOT<x>:PSIJ?

Arguments PLOT<x> is the plot number.
ORIGINAL sets the plot data type to original.
EMULATED sets the plot data type to emulated.

Examples PLOT:PLOT1:PSIJ EMULATED sets the plot data type to original.
PLOT:PLOT1:PSIJ? might return EMULATED, indicating the plot data type is original.

PLOT:PLOT<x>:PTYPE

This command sets or returns the phasor type of the phasor diagram plot.

Group	Plot
Syntax	PLOT:PLOT<x>:PTYPE {RMS MAGNITUDE} PLOT:PLOT<x>:PTYPE?
Arguments	PLOT<x> is the plot number. RMS sets the phasor type to RMS. MAGNITUDE sets the phasor type to MAGNITUDE.
Examples	PLOT:PLOT1:PTYPE? Returns RMS sets the phasor type to RMS. PLOT:PLOT1:PTYPE? might return :PLOT:PLOT1:PTYPE? RMS indicating the phasor type is RMS.

PLOT:PLOT<x>:RAILNUM

Sets the DPM histogram source.

Conditions	Requires option 5-DPM (5 Series MSO instruments) or 6-DPM (6 Series MSO instrument)
Group	DPM
Syntax	PLOT:PLOT<x>:RAILNUM RAIL<x> PLOT:PLOT<x>:RAILNUM?
Arguments	PLOT<x> is the plot number. RAIL<x> is the rail number. Valid values are 1 to 7.
Examples	PLOT:PLOT2:RAILNUM RAIL6 sets the DPM histogram source to Rail 6 of plot 2. PLOT:PLOT5:RAILNUM? might return RAIL1, indicating that the DPM histogram source is Rail 1 of plot 5.

PLOT:PLOT<x>:SOURce<x>

This command sets or queries the plot source.

Group Plot

Syntax PLOT:PLOT<x>:SOURce<x> MEAS<x>
PLOT:PLOT<x>:SOURce<x>?

Arguments MEAS<x> is the specified measurement source for the specified plot.

Examples PLOT:PLOT1:SOURce1 MEAS2 sets source 1 of plot 1 to measurement 2.
PLOT:PLOT1:SOURce1? might return :PLOT:PLOT1:SOURCE1 MEAS1
indicating the specified source of the specified plot is measurement 1.

PLOT:PLOT<x>:SPECTrum:BASE

This command sets or queries the spectrum base. Undefined for non-spectrum plots.

Group Plot

Syntax PLOT:PLOT<x>:SPECTrum:BASE <NR1>
PLOT:PLOT<x>:SPECTrum:BASE?

Arguments <NR1> is the spectrum base.

Examples PLOT:PLOT3:SPECTrum:BASE -10 sets the base to -10.
PLOT:PLOT3:SPECTrum:BASE? might return :PLOT:PLOT3:SPECTRUM:BASE
-15 indicating the base is -15.

PLOT:PLOT<x>:SPECTrum:DYNRange

This command sets or queries the dynamic range value.

Group Plot

Syntax	<code>PLOT:PLOT<x>:SPECTrum:DYNRange <NR3></code> <code>PLOT:PLOT<x>:SPECTrum:DYNRange?</code>
Arguments	<NR3> is the dynamic range value.
Examples	<code>PLOT:PLOT3:SPECTrum:DYNRange 150</code> sets the dynamic range to 150 dB. <code>PLOT:PLOT3:SPECTrum:DYNRange?</code> might return <code>:PLOT:PLOT3:SPECTRUM:DYNRANGE 100</code> indicating the dynamic range is 100 dB.

PLOT:PLOT<x>:TRESponse:RTYPE

This command sets the plot response type.

Conditions	Requires option 5-PWR.
Group	Power
Syntax	<code>PLOT:PLOT<x>:TRESponse:RTYPE {PHASE GRPDELAY GDELAY}</code> <code>PLOT:PLOT<x>:TRESponse:RTYPE?</code>
Arguments	<code>PLOT<x></code> sets the plot measurement number. This is the equivalent of the number shown on a plot heading in the UI. <code>PHASE</code> sets the plot response type to phase. <code>GRPDELAY</code> sets the plot response type to GRPDELAY. <code>GDELAY</code> sets the plot response type to GDELAY.
Examples	<code>PLOT:PLOT1:TRESponse:RTYPE PHASE</code> sets the plot response type to phase for plot 1. <code>PLOT:PLOT1:TRESponse:RTYPE?</code> might return <code>:PLOT:PLOT1:TRESponse:RTYPE PHASE</code> , indicating that the plot response type is phase for plot 1.

PLOT:PLOT<x>:TYPE

This command sets or returns the current plot type of the specified plot.

Group	Plot
Syntax	PLOT:PLOT<x>:TYPE {NONE BATHTUB EYEDIAGRAM HARMONICS HISTOGRAM IMDATIMETREND IMDAACQTREND INDUCTANCE IVSINTEGRALV MAGPROPERTY PHASENOISE PHASOR RECOVERY SOA SPECTRUM SSCPROFILE SWL TIEHISTOGRAM TIETIMETREND TIESPECTRUM TIMETREND TRESPONSE XY XYZ}
Arguments	<p><x> is the plot number. This is the equivalent of the number shown on a plot heading in the UI.</p> <p>NONE does not create a plot.</p> <p>BATHTUB creates a bathtub plot.</p> <p>EYEDIAGRAM creates an eye diagram. This plot type is not available on a 4 Series MSO instrument.</p> <p>HARMONICS creates a harmonics bar graph.</p> <p>HISTOGRAM creates a histogram plot.</p> <p>IMDATIMETREND creates a IMDA time trend plot. This plot type requires option IMDA.</p> <p>IMDAACQTREND creates a IMDA acq trend plot. This plot type requires option IMDA.</p> <p>INDUCTANCE creates a inductance plot.</p> <p>IVSINTEGRALV creates a I vs. $\int V$ plot.</p> <p>MAGPROPERTY creates a BH curve.</p> <p>PHASENOISE creates a phase noise plot.</p> <p>PHASOR creates the Phasor Diagram. This plot type requires option 5-DPM on MSO58/56 series instruments.</p> <p>RECOVERY creates a recovery plot. This plot type requires a WBG-DPT License.</p> <p>SOA creates an SOA plot.</p> <p>SPECTRUM creates a spectrum plot.</p> <p>SSCPROFILE creates a SSC profile plot.</p> <p>SWL creates a Switching Loss plot</p> <p>TIEHISTOGRAM creates a TIE histogram plot.</p> <p>TIESPECTRUM creates a TIE spectrum plot.</p> <p>TIETIMETREND creates a TIE time trend plot.</p> <p>TIMETREND creates a time trend plot.</p>

TRESPONSE creates a response plot.

XY creates a XY plot.

XYZ creates a XYZ plot.

Examples PLOT:PLOT2:TYPE BATHTUB creates a bathtub plot.

PLOT:PLOT2:TYPE? might return :PLOT:PLOT2:TYPE EYEDIAGRAM indicating the plot is an eye diagram.

POWER:ADDNew (No Query Form)

This command adds the specified power measurement number. The power measurement number is specified by x.

Conditions Requires option PWR or PS2.

Group Power

Syntax POWER:ADDNew "POWER<x>"

Examples POWER:ADDNEW "POWER1" adds POWER1 measurement badge and selects Switching Loss measurement by default.

POWER:DELEte (No Query Form)

This command deletes the specified power measurement number. The power measurement number is specified by x.

Conditions Requires option PWR or PS2.

Group Power

Syntax POWER:DELEte "POWER<x>"

Examples POWER:DELETE "POWER1" deletes the POWER1 measurement badge.

POWer:POWer<x>:AUTOSet (No Query Form)

This command executes power autosest for the specified power measurement number.

Conditions	Requires option PWR or PS2.
Group	Power
Syntax	POWer:POWer<x>:AUTOSet EXECute
Arguments	POWer<x> is the power measurement number. This is the equivalent of the number shown on a power measurement badge in the UI.
Examples	POWer:POWer1:AUTOSet EXECute executes the power autosest for the power measurement Power 1.

POWer:POWer<x>:CLRESPONSE:AMP<x>Val

This command sets or queries the generator amplitude value of the specified configuration step for the Control Loop Response power measurement.

Conditions	Requires option 5-PWR or 6-PWR
Group	Power
Syntax	POWer:POWer<x>:CLRESPONSE:AMP<x>Val <NR3> POWer:POWer<x>:CLRESPONSE:AMP<x>Val?
Arguments	<p>POWer<x> sets the power measurement number. This is the equivalent of the number shown in the UI for a power measurement badge.</p> <p>AMP<x> sets the configuration step number, in the range of 1 to 10. Values outside this range will report an error.</p> <p><NR3> sets the generator amplitude for the specified configuration step, in the range of -100 V to 100 V.</p>
Examples	POWer:POWer1:CLRESPONSE:AMP3Val 20 sets the generator output amplitude for configuration step 3 to 20 volts, for power measurement 1.

`Power:Power2:CLRESPONSE:AMP8Va1?` might return 60, indicating that the generator output amplitude setting of configuration step 8 is 60 volts, for power measurement 2.

Power:Power<x>:CLRESPONSE:AMPMode

This command sets or queries the amplitude mode for the Control Loop Response power measurement.

Conditions	Requires option 5-PWR or 6-PWR
Group	Power
Syntax	<code>Power:Power<x>:CLRESPONSE:AMPMode {CONSTant PROFile}</code> <code>Power:Power<x>:CLRESPONSE:AMPMode?</code>
Arguments	<p><code>Power<x></code> is the power measurement number. This is the equivalent of the number shown in the UI for a power measurement badge.</p> <p><code>CONSTant</code> sets the amplitude mode to output a constant amplitude signal from the DUT stimulus generator for all frequency bands.</p> <p><code>PROFile</code> enables configuring the generator to set amplitude values for each frequency band.</p>
Examples	<p><code>Power:Power1:CLRESPONSE:AMPMode Constant</code> sets the amplitude mode to Constant for power measurement 1.</p> <p><code>Power:Power2:CLRESPONSE:AMPMode?</code> might return <code>PROFile</code>, indicating that the amplitude mode power measurement 2 is set to Profile.</p>

Power:Power<x>:CLRESPONSE:ANALYSISMethod

This command sets or queries the Analysis Method for Control Loop Response measurement.

Group	Power
Syntax	<code>Power:Power<x>:CLRESPONSE:ANALYSISMethod {SV FFT}</code> <code>Power:Power<x>:CLRESPONSE:ANALYSISMethod?</code>

Arguments	<p>POWER<x> is the power measurement number. This is the equivalent of the number shown in the UI for a power measurement badge.</p> <p>SV sets the Analysis Method as Spectrum View.</p> <p>FFT sets the Analysis Method as FFT.</p>
Examples	<p>POWER:POWER1:CLRESPONSE:ANALYSISMETHOD SV sets the Analysis Method as Spectrum View for power measurement 1.</p> <p>POWER:POWER1:CLRESPONSE:ANALYSISMETHOD? might return :POWER:POWER1:CLRESPONSE:ANALYSISMETHOD SV, indicating that the Analysis Method is Spectrum View.</p>

POWER:POWER<x>:CLRESPONSE:AUTORBW

This command enables Auto RBW computation.

Group	Power
Syntax	<pre>POWER:POWER<x>:CLRESPONSE:AUTORBW {True False} POWER:POWER<x>:CLRESPONSE:AUTORBW?</pre>
Arguments	<p>POWER<x> is the power measurement number. This is the equivalent of the number shown in the UI for a power measurement badge.</p> <p>True enables Auto RBW computation.</p> <p>False disables Auto RBW computation.</p>
Examples	<p>POWER:POWER1:CLRESPONSE:AUTORBW true enables Auto RBW computation.</p> <p>POWER:POWER1:CLRESPONSE:AUTORBW? might return :POWER:POWER1:CLRESPONSE:AUTORBW true, indicating that Auto RBW computation is enabled.</p>

POWER:POWER<x>:CLRESPONSE:CONNECTSTATUS? (Query Only)

Queries connection status to the external generator used with the specified Control Loop Response power measurement.

Conditions	Requires option 5-PWR (5 Series MSO instruments) or 6-PWR (6 Series MSO instrument)
-------------------	-------------------------------------------------------------------------------------

Group	Power
Syntax	POWER:POWER<x>:CLRESPONSE:CONNECTSTATUS?
Related Commands	POWER:POWER<x>:CLRESPONSE:GENIPADDRESS POWER:POWER<x>:CLRESPONSE:GENERATOR
Arguments	POWER<x> is the number of the power measurement.
Returns	<p>SUCCESS indicates the instrument recognizes the connection to the external generator.</p> <p>FAILURE indicates the instrument could not make the connection to the external generator.</p> <p>UNSUPPORTED indicates that the connected generator is not recognized.</p>
Examples	POWER:POWER<x>:CLRESPONSE:CONNECTSTATUS? might return FAILURE, indicating that the instrument could not connect to the external generator at the specified IP address.

POWER:POWER<x>:CLRESPONSE:CONSTAMPLITUDE

This command sets or queries the constant amplitude voltage for the Control Loop Response power measurement.

Conditions	Requires option 5-PWR or 6-PWR
Group	Power
Syntax	POWER:POWER<x>:CLRESPONSE:CONSTAMPLITUDE <NR3> POWER:POWER<x>:CLRESPONSE:CONSTAMPLITUDE?
Arguments	<p>POWER<x> is the power measurement number. This is the equivalent of the number shown in the UI for a power measurement badge.</p> <p><NR3> is the constant amplitude voltage value for the measurement, in the range of -100 V to 100 V.</p>

- Examples** `Power:Power3:CLRESPONSE:CONSTAmplitude 120` sets the constant amplitude voltage for Power measurement 3 to be 120 volts.
- `Power:Power5:CLRESPONSE:CONSTAmplitude?` might return `-15`, indicating that the constant amplitude voltage for power measurement 5 is `-15` volts.

POWER:POWER<x>:CLRESPONSE:FREQ<x>Val

This command sets or queries the generator frequency value of the specified configuration step for the Control Loop Response power measurement.

- Conditions** Requires option 5-PWR or 6-PWR
- Group** Power
- Syntax** `Power:Power<x>:CLRESPONSE:FREQ<x>Val <NR3>`
`Power:Power<x>:CLRESPONSE:FREQ<x>Val?`
- Arguments** `Power<x>` sets the power measurement number. This is the equivalent of the number shown in the UI for a power measurement badge.
- `FREQ<x>` sets the configuration step number, in the range of 1 to 11. Values outside this range will report an error.
- `<NR3>` sets the frequency of the specified configuration step number, in the range of 10 Hz to 50 MHz.
- Examples** `Power:Power5:CLRESPONSE:FREQ1Val 200` sets the generator frequency value for frequency band 1 to 200 Hz, for power measurement 5.
- `Power:Power2:CLRESPONSE:FREQ3Val?` might return `2.000E+6`, indicating that the generator frequency output for frequency band 3 is 2.0 MHz, for power measurement 2.

POWER:POWER<x>:CLRESPONSE:GENerator

Sets or queries the generator source for the specified Control Loop Response power measurement.

- Conditions** Requires option 5-PWR (5 Series MSO instruments) or 6-PWR (6 Series MSO instrument)

Group	Power
Syntax	<pre>Power:Power<x>:CLRESPONSE:GENERATOR {INTERNAL EXTERNAL} Power:Power<x>:CLRESPONSE:GENERATOR?</pre>
Arguments	<p>Power<x> is the number of the power measurement.</p> <p>INTERNAL sets the internal generator as the source for the Control Loop Response power measurement.</p> <p>EXTERNAL sets the external generator as the source for the Control Loop Response power measurement.</p>
Examples	<p>Power:Power1:CLRESPONSE:GENERATOR INTERNAL sets the internal generator as the source for the Control Loop Response measurement.</p> <p>Power:Power1:CLRESPONSE:GENERATOR? might return EXTERNAL, indicating that the Control Loop Response measurement is set to use an external generator.</p>

Power:Power<x>:CLRESPONSE:GENIPADDRESS

Sets or queries the IP address of the external generator to be used with the specified Control Loop Response measurement.

Conditions	Requires option 5-PWR (5 Series MSO instruments) or 6-PWR (6 Series MSO instrument)
Group	Power
Syntax	<pre>Power:Power<x>:CLRESPONSE:GENIPADDRESS <NR2> Power:Power<x>:CLRESPONSE:GENIPADDRESS?</pre>
Arguments	<p>Power<x> is the number of the power measurement.</p> <p><NR2> is the IP address of the generator.</p>
Examples	<p>Power:Power4:CLRESPONSE:GENIPADDRESS 127.1.1.1 sets the IP address of the external generator to 127.1.1.1.</p> <p>Power:Power1:CLRESPONSE:GENIPADDRESS? might return "", indicating that there is no address set for the external generator associated with Control Loop Response power measurement 4.</p>

POWER:POWER<x>:CLRESPONSE:IMPEDance

This command sets or queries the vertical termination impedance for the Control Loop Response power measurement.

Conditions	Requires option 5-PWR or 6-PWR
Group	Power
Syntax	POWER:POWER<x>:CLRESPONSE:IMPEDance {FIFTY HIGHZ} POWER:POWER<x>:CLRESPONSE:IMPEDance?
Arguments	POWER<x> is the power measurement number. This is the equivalent of the number shown in the UI for a power measurement badge. FIFTY sets the impedance to be 50 Ω . HIGHZ sets the impedance to be 1 M Ω .
Examples	POWER:POWER3:CLRESPONSE:IMPEDance FIFTY sets the vertical termination impedance for power measurement 3 to be 50 Ω . POWER:POWER2:CLRESPONSE:IMPEDance? might return HIGHZ, indicating that the vertical termination impedance for power measurement 2 is 1 M Ω .

POWER:POWER<x>:CLRESPONSE:INPUTSource

This command sets or queries the input source for the Control Loop Response power measurement.

Conditions	Requires option 5-PWR or 6-PWR
Group	Power
Syntax	POWER:POWER<x>:CLRESPONSE:INPUTSource CH<x> POWER:POWER<x>:CLRESPONSE:INPUTSource?
Arguments	POWER<x> is the power measurement number. This is the equivalent of the number shown in the UI for a power measurement badge. CH<x> sets the channel to use for the output signal source.

- Examples** `Power:Power2:CLRESPONSE:INPUTSource CH8` sets the input for power measurement 2 to be the channel 8 waveform.
- `Power:Power2:CLRESPONSE:INPUTSource?` might return CH1, indicating that the input source for power measurement 1 is channel 1.

Power:Power<x>:CLRESPONSE:MON

This command sets or returns the measure on for the control loop response, PSRR or impedance measurement.

- Conditions** Requires option 5-PWR or 6-PWR
- Group** Power
- Syntax** `Power:Power<x>:CLRESPONSE:MON {SAVG|SSEQ}`
`Power:Power<x>:CLRESPONSE:MON?`
- Arguments** `Power<x>` is the power measurement number. This is the equivalent of the number shown in the UI for a power measurement badge.
- `SAVG` specifies the measure analysis method for the Control Loop Response/PSRR or Impedance measurement to SAVG.
- `SSEQ` specifies the measure analysis method for the Control Loop Response/PSRR or Impedance measurement to SSEQ.
- Examples** `Power:Power2:CLRESPONSE:INPUTSource SSEQ` sets the measure analysis method for the Control Loop Response/PSRR or Impedance measurement to SSEQ.
- `Power:Power2:CLRESPONSE:INPUTSource?` might return `:Power:Power2:CLRESPONSE:INPUTSource SSEQ`, indicating that the measure analysis method for the Control Loop Response/PSRR or Impedance measurement is SSEQ.

Power:Power<x>:CLRESPONSE:OUTPUTSource

This command sets or queries the output source for the Control Loop Response power measurement.

- Conditions** Requires option 5-PWR or 6-PWR

Group	Power
Syntax	POWER:POWER<x>:CLRESPONSE:OUTPUTSource CH<x> POWER:POWER<x>:CLRESPONSE:OUTPUTSource?
Arguments	POWER<x> is the power measurement number. This is the equivalent of the number shown in the UI for a power measurement badge. CH<x> sets the channel to use for the output signal source.
Examples	POWER:POWER1:CLRESPONSE:OUTPUTSource CH5 sets the output source for power measurement 1 to be the channel 5 waveform. POWER:POWER3:CLRESPONSE:OUTPUTSource? might return CH6, indicating that the output source for power measurement 3 is channel 6.

POWER:POWER<x>:CLRESPONSE:PPD

This command sets or queries the points per decade (PPD) value for the Control Loop Response power measurement.

Conditions	Requires option 5-PWR or 6-PWR
Group	Power
Syntax	POWER:POWER<x>:CLRESPONSE:PPD <NR3> POWER:POWER<x>:CLRESPONSE:PPD?
Arguments	POWER<x> is the power measurement number. This is the equivalent of the number shown in the UI for a power measurement badge. <NR3> is the PPD value for the measurement, in the range of 10 to 100 points.
Examples	POWER:POWER3:CLRESPONSE:PPD 30 sets the PPD for Power measurement 3 to be 30 points. POWER:POWER5:CLRESPONSE:PPD? might return 20, indicating that the PPD value for power measurement 5 is 20 points.

POWer:POWer<x>:CLRESPONSE:STARTFREQuency

This command sets or queries the start frequency value for the Control Loop Response power measurement.

Conditions	Requires option 5-PWR or 6-PWR
Group	Power
Syntax	POWer:POWer<x>:CLRESPONSE:STARTFREQuency <NR3> POWer:POWer<x>:CLRESPONSE:STARTFREQuency?
Arguments	POWer<x> is the power measurement number. This is the equivalent of the number shown in the UI for a power measurement badge. <NR3> is the starting frequency for the measurement, in the range of 10 Hz to 50 MHz.
Examples	POWer:POWer8:CLRESPONSE:STARTFREQuency 12 sets the starting frequency for power measurement 8 to be 12 Hz. POWer:POWer3:CLRESPONSE:STARTFREQuency? might return 2400, indicating that the starting frequency for power measurement 3 is 2400 Hz.

POWer:POWer<x>:CLRESPONSE:STOPFREQuency

This command sets or queries the stop frequency value for the Control Loop Response power measurement.

Conditions	Requires option 5-PWR or 6-PWR
Group	Power
Syntax	POWer:POWer<x>:CLRESPONSE:STOPFREQuency <NR3> POWer:POWer<x>:CLRESPONSE:STOPFREQuency?
Arguments	POWer<x> is the power measurement number. This is the equivalent of the number shown in the UI for a power measurement badge. <NR3> is the stop frequency for the measurement, in the range of 10 Hz to 50 MHz.

- Examples** `Power:Power3:CLRESPONSE:STOPFREQUENCY 120` sets the stop frequency for the control loop response power measurement 8 to be 120 Hz.
- `Power:Power5:CLRESPONSE:STOPFREQUENCY?` might return 2000, indicating that the stop frequency for the control loop response power measurement 5 is 2000 Hz.

Power:Power<x>:CLRESPONSE:TESTCONNECTION (No Query Form)

This command tests the connection to the external generator used with the specified Control Loop Response power measurement.

- Conditions** Requires option 5-PWR (5 Series MSO instruments) or 6-PWR (6 Series MSO instrument)
- Group** Power
- Syntax** `Power:Power<x>:CLRESPONSE:TESTCONNECTION EXECUTE`
- Related Commands** [Power:Power<x>:CLRESPONSE:CONNECTSTATUS?](#)
[Power:Power<x>:CLRESPONSE:GENIPADDRESS](#)
- Arguments** `Power<x>` is the number of the PSRR power measurement.
`EXECUTE` runs the test connection function.
- Examples** `Power:Power5:CLRESPONSE:TESTCONNECTION EXECUTE` runs the test connection function for Control Loop Response power measurement 5.

Power:Power<x>:CYCLEAMP:INPUTSOURCE

This command sets or queries the input source for cycle amplitude measurement of the specified power measurement number.

- Conditions** Requires option PWR or PS2.
- Group** Power

Syntax	<code>POWer:POWer<x>:CYCLEAmp:INPUTSource {CH<x> MATH<x> REF<x>}</code> <code>POWer:POWer<x>:CYCLEAmp:INPUTSource?</code>
Arguments	<p><code>POWer<x></code> is the power measurement number. This is the equivalent of the number shown on a power measurement badge in the UI.</p> <p><code>CH<x></code> = A channel specifier; <code><x></code> is 1 through 8 and is limited by the number of FlexChannels in your instrument.</p> <p><code>MATH<x></code> = A math waveform specifier; <code><x></code> is ≥ 1.</p> <p><code>REF<x></code> = A reference waveform specifier; <code><x></code> is ≥ 1.</p>
Examples	<code>POWer:POWer1:CYCAmp:INPUTSource CH1</code> sets the input source for cycle amplitude measurement as CH1 for the power measurement badge Power 1.

POWer:POWer<x>:CYCLEBase:INPUTSource

This command sets or queries the input source for cycle base measurement of the specified power measurement number.

Conditions	Requires option PWR or PS2.
Group	Power
Syntax	<code>POWer:POWer<x>:CYCLEBase:INPUTSource {CH<x> MATH<x> REF<x>}</code> <code>POWer:POWer<x>:CYCLEBase:INPUTSource?</code>
Arguments	<p><code>POWer<x></code> is the power measurement number. This is the equivalent of the number shown on a power measurement badge in the UI.</p> <p><code>CH<x></code> = A channel specifier; <code><x></code> is 1 through 8 and is limited by the number of FlexChannels in your instrument.</p> <p><code>MATH<x></code> = A math waveform specifier; <code><x></code> is ≥ 1.</p> <p><code>REF<x></code> = A reference waveform specifier; <code><x></code> is ≥ 1.</p>
Examples	<code>POWer:POWer1:CYCLEBase:INPUTSource CH2</code> sets the input source for cycle base measurement as CH2 for the power measurement badge Power 1.

POWER:POWER<x>:CYCLEMAX:INPUTSource

This command sets or queries the input source for cycle maximum measurement in the specified power measurement number.

Conditions	Requires option PWR or PS2.
Group	Power
Syntax	POWER:POWER<x>:CYCLEMAX:INPUTSource {CH<x> MATH<x> REF<x>} POWER:POWER<x>:CYCLEMAX:INPUTSource?
Arguments	<p>POWER<x> is the power measurement number. This is the equivalent of the number shown on a power measurement badge in the UI.</p> <p>CH<x> = A channel specifier; <x> is 1 through 8 and is limited by the number of FlexChannels in your instrument.</p> <p>MATH<x> = A math waveform specifier; <x> is ≥ 1.</p> <p>REF<x> = A reference waveform specifier; <x> is ≥ 1.</p>
Examples	POWER:POWER1:CYCMAx:INPUTSource CH2 sets the input source for cycle maximum measurement as CH2 for the power measurement badge Power 1.

POWER:POWER<x>:CYCLEMin:INPUTSource

This command sets or queries the input source for cycle minimum measurement in the specified power measurement number.

Conditions	Requires option PWR or PS2.
Group	Power
Syntax	POWER:POWER<x>:CYCLEMin:INPUTSource {CH<x> MATH<x> REF<x>} POWER:POWER<x>:CYCLEMin:INPUTSource?
Arguments	<p>POWER<x> is the power measurement number. This is the equivalent of the number shown on a power measurement badge in the UI.</p> <p>CH<x> = A channel specifier; <x> is 1 through 8 and is limited by the number of FlexChannels in your instrument.</p>

MATH<x> = A math waveform specifier; <x> is ≥ 1 .

REF<x> = A reference waveform specifier; <x> is ≥ 1 .

Examples `Power:Power1:CYCMin:INPUTSource CH2` sets the input source for cycle minimum measurement as CH2 for the power measurement badge Power 1.

Power:Power<x>:CYCLEPKPK:INPUTSource

This command sets or queries the input source for cycle peak-to-peak measurement in the specified power measurement number.

Conditions Requires option PWR or PS2.

Group Power

Syntax `Power:Power<x>:CYCLEPKPK:INPUTSource {CH<x>|MATH<x>|REF<x>}`
`Power:Power<x>:CYCLEPKPK:INPUTSource?`

Arguments `Power<x>` is the power measurement number. This is the equivalent of the number shown on a power measurement badge in the UI.

`CH<x>` = A channel specifier; <x> is 1 through 8 and is limited by the number of FlexChannels in your instrument.

`MATH<x>` = A math waveform specifier; <x> is ≥ 1 .

`REF<x>` = A reference waveform specifier; <x> is ≥ 1 .

Examples `Power:Power1:CYCPKPK:INPUTSource REF1` sets the input source for cycle peak-to-peak measurement as REF1 for the power measurement badge Power 1.

Power:Power<x>:CYCLETop:INPUTSource

This command sets or queries the input source for cycle top measurement in the specified power measurement number.

Conditions Requires option PWR or PS2.

Group Power

Syntax `Power:Power<x>:CYCLETop:INPUTSource {CH<x>|MATH<x>|REF<x>}`
`Power:Power<x>:CYCLETop:INPUTSource?`

Arguments `Power<x>` is the power measurement number. This is the equivalent of the number shown on a power measurement badge in the UI.

`CH<x>` = A channel specifier; `<x>` is 1 through 8 and is limited by the number of FlexChannels in your instrument.

`MATH<x>` = A math waveform specifier; `<x>` is ≥ 1 .

`REF<x>` = A reference waveform specifier; `<x>` is ≥ 1 .

Examples `Power:Power1:CYCTop:INPUTSource REF3` sets the input source for cycle top measurement as REF3 for the power measurement badge Power 1.

POWER:POWER<x>:DIDT:INPUTSource

This command sets or queries the input source for di/dt measurement in the specified power measurement number.

Conditions Requires option PWR or PS2.

Group Power

Syntax `Power:Power<x>:DIDT:INPUTSource {CH<x>|MATH<x>|REF<x>}`
`Power:Power<x>:DIDT:INPUTSource?`

Arguments `Power<x>` is the power measurement number. This is the equivalent of the number shown on a power measurement badge in the UI.

`CH<x>` = A channel specifier; `<x>` is 1 through 8 and is limited by the number of FlexChannels in your instrument.

`MATH<x>` = A math waveform specifier; `<x>` is ≥ 1 .

`REF<x>` = A reference waveform specifier; `<x>` is ≥ 1 .

Examples `Power:Power1:DIDT:INPUTSource CH6` sets the input source for di/dt measurement as channel 2.

POWer:POWer<x>:DIDT:SOURCEEDGEType

This command sets or queries the edge type for di/dt measurement of the specified power measurement number. <x> specifies the number of the power measurement badge.

Conditions	Requires option PWR or PS2.
Group	Power
Syntax	POWer:POWer<x>:DIDT:SOURCEEDGEType {RISE FALL} POWer:POWer<x>:DIDT:SOURCEEDGEType?
Examples	POWer:POWer1:DIDT:SOURCEEDGEType RISE sets the edge type as rise for the di/dt measurement.

POWer:POWer<x>:DVDT:INPUTSource

This command sets or queries the input source for dv/dt measurement of the specified power measurement number.

Conditions	Requires option PWR or PS2.
Group	Power
Syntax	POWer:POWer<x>:DVDT:INPUTSource {CH<x> MATH<x> REF<x>} POWer:POWer<x>:DVDT:INPUTSource?
Arguments	<p>POWer<x> is the power measurement number. This is the equivalent of the number shown on a power measurement badge in the UI.</p> <p>CH<x> = A channel specifier; <x> is 1 through 8 and is limited by the number of FlexChannels in your instrument.</p> <p>MATH<x> = A math waveform specifier; <x> is ≥ 1.</p> <p>REF<x> = A reference waveform specifier; <x> is ≥ 1.</p>
Examples	POWer:POWer1:DVDT:INPUTSource CH1 sets the input source for dv/dt measurement as channel 1.

POWer:POWer<x>:DVDT:SOURCEEDGEType

This command sets or queries the edge type for dv/dt measurement in the specified power measurement number. The power measurement number is specified by x.

Conditions Requires option PWR or PS2.

Group Power

Syntax POWer:POWer<x>:DVDT:SOURCEEDGEType {RISE|FALL}
POWer:POWer<x>:DVDT:SOURCEEDGEType?

Examples POWer:POWer1:DVDT:SOURCEEDGEType RISE sets the edge type as rise for the dv/dt measurement.

POWer:POWer<x>:EFFICIENCY:INPUTType

This command sets or queries the input type (AC or DC) for power Efficiency measurement of the specified power measurement number.

Conditions Requires option PWR or PS2.

Group Power

Syntax POWer:POWer<x>:EFFICIENCY:INPUTType {AC|DC}
POWer:POWer<x>:EFFICIENCY:INPUTType?

Related Commands [POWer:POWer<x>:EFFICIENCY:OUTPUT1Type](#)

Arguments POWer<x> is the number of a power efficiency measurement. This is the equivalent of the number shown on the power measurement badge of the UI.

AC sets the input voltage type to AC.

DC sets the input voltage type to DC.

Examples POWer:POWer1:EFFICIENCY:INPUTType DC sets the input voltage type to DC for power Efficiency measurement 1

POWer:POWer2:EFFICIENCY:INPUTType? might return AC, indicating that the input voltage type for power Efficiency measurement 2 is AC.

POWer:POWer<x>:EFFICIENCY:IOUT1SOUrce

This command sets or queries the output 1 current source for the power Efficiency measurement of the specified power measurement number.

Conditions Requires option PWR or PS2.

Group Power

Syntax Power:POWer<x>:EFFICIENCY:IOUT1SOUrce {CH<x>|MATH<x>|REF<x>}
Power:POWer<x>:EFFICIENCY:IOUT1SOUrce?

Related Commands [POWer:POWer<x>:EFFICIENCY:IOUT2SOUrce](#)
[POWer:POWer<x>:EFFICIENCY:IOUT3SOUrce](#)

Arguments Power<x> is the number of a power efficiency measurement. This is the equivalent of the number shown in the power measurement badge on the UI.

CH<x> = A channel specifier; <x> is 1 through 8 and is limited by the number of FlexChannels in your instrument.

MATH<x> = A math waveform specifier; <x> is ≥ 1 .

REF<x> = A reference waveform specifier; <x> is ≥ 1 .

Examples Power:POWer1:EFFICIENCY:IOUT1SOUrce CH4 sets the source for the output 1 current efficiency measurement of power measurement 1 to Channel 4.

Power:POWer1:EFFICIENCY:IOUT1SOUrce? might return CH6, indicating that the source for the output 1 current efficiency measurement of power measurement 1 is Channel 6.

POWer:POWer<x>:EFFICIENCY:IOUT2SOUrce

This command sets or queries the output 2 current source for the power Efficiency measurement of the specified power measurement number.

Conditions Requires option PWR or PS2.

Group Power

Syntax	<code>Power:Power<x>:EFFICIENCY:IOUT2SOURCE {CH<x> MATH<x> REF<x>}</code> <code>Power:Power<x>:EFFICIENCY:IOUT2SOURCE?</code>
Related Commands	POWer:POWer<x>:EFFICIENCY:IOUT1SOURCE POWer:POWer<x>:EFFICIENCY:IOUT3SOURCE
Arguments	<code>Power<x></code> is the number of a power efficiency measurement. This is the equivalent of the number shown in the power measurement badge on the UI. <code>CH<x></code> = A channel specifier; <x> is 1 through 8 and is limited by the number of FlexChannels in your instrument. <code>MATH<x></code> = A math waveform specifier; <x> is ≥ 1 . <code>REF<x></code> = A reference waveform specifier; <x> is ≥ 1 .
Examples	<code>Power:Power3:EFFICIENCY:IOUT2SOURCE REF2</code> sets the source for the output 2 current efficiency measurement of power measurement 3 to Reference waveform 2. <code>Power:Power1:EFFICIENCY:IOUT2SOURCE?</code> might return <code>MATH1</code> , indicating that the source for the output 2 current efficiency measurement of power measurement 1 is Math waveform 1.

POWer:POWer<x>:EFFICIENCY:IOUT3SOURCE

This command sets or queries the output 3 current source for the power Efficiency measurement of the specified power measurement number.

Conditions	Requires option PWR or PS2.
Group	Power
Syntax	<code>Power:Power<x>:EFFICIENCY:IOUT3SOURCE {CH<x> MATH<x> REF<x>}</code> <code>Power:Power<x>:EFFICIENCY:IOUT3SOURCE?</code>
Related Commands	POWer:POWer<x>:EFFICIENCY:IOUT1SOURCE POWer:POWer<x>:EFFICIENCY:IOUT2SOURCE
Arguments	<code>Power<x></code> is the number of a power efficiency measurement. This is the equivalent of the number shown on the power measurement badge in the UI.

CH<x> = A channel specifier; <x> is 1 through 8 and is limited by the number of FlexChannels in your instrument.

MATH<x> = A math waveform specifier; <x> is ≥ 1 .

REF<x> = A reference waveform specifier; <x> is ≥ 1 .

Examples `Power:Power1:EFFICIENCY:IOUT3SOURCE REF2` sets the source for the output 3 current efficiency measurement of power measurement 1 to Reference waveform 2.

`Power:Power4:EFFICIENCY:IOUT3SOURCE?` might return CH8, indicating that the source for the output 3 current efficiency measurement of power measurement 4 is Channel 8.

POWER:POWER<x>:EFFICIENCY:ISOURCE

This command sets or queries the current source for the power Efficiency measurement of the specified power measurement number.

Conditions Requires option PWR or PS2.

Group Power

Syntax `Power:Power<x>:EFFICIENCY:ISOURCE`
`Power:Power<x>:EFFICIENCY:ISOURCE?`

Related Commands [POWER:POWER<x>:EFFICIENCY:VSOURCE](#)

Arguments `Power<x>` is the number of a power efficiency measurement. This is the equivalent of the number shown in the power measurement badge on the UI.

CH<x> = A channel specifier; <x> is 1 through 8 and is limited by the number of FlexChannels in your instrument.

MATH<x> = A math waveform specifier; <x> is ≥ 1 .

REF<x> = A reference waveform specifier; <x> is ≥ 1 .

Examples `Power:Power1:EFFICIENCY:ISOURCE CH2` sets the input current source for power Efficiency measurement 1 to Channel 2.

`Power:Power6:EFFICIENCY:ISOURCE?` might return CH2, indicating that the input current source for power Efficiency measurement 6 is Channel 2.

POWer:POWer<x>:EFFICIENCY:NUMOFOutputs

This command sets or queries the number of outputs for the power Efficiency measurement of the specified power measurement number.

Conditions	Requires option PWR or PS2.
Group	Power
Syntax	<code>POWer:POWer<x>:EFFICIENCY:NUMOFOutputs {ONE TWO THREE}</code> <code>POWer:POWer<x>:EFFICIENCY:NUMOFOutputs?</code>
Related Commands	POWer:POWer<x>:EFFICIENCY:IOUT1SOUrce POWer:POWer<x>:EFFICIENCY:IOUT2SOUrce POWer:POWer<x>:EFFICIENCY:IOUT3SOUrce POWer:POWer<x>:EFFICIENCY:VOUT1SOUrce POWer:POWer<x>:EFFICIENCY:VOUT2SOUrce POWer:POWer<x>:EFFICIENCY:VOUT3SOUrce
Arguments	<code>POWer<x></code> is the number of a power efficiency measurement. This is the equivalent of the number shown in the power measurement badge on the UI. <code>ONE, TWO, THREE</code> sets the number of outputs to test in the power efficiency measurement.
Examples	<code>POWer:POWer4:EFFICIENCY:NUMOFOutputs TWO</code> sets the number of outputs to measure in power measurement 4 to two. <code>POWer:POWer3:EFFICIENCY:NUMOFOutputs?</code> might return <code>ONE</code> , indicating that the number of outputs being measured in power measurement 3 is one.

POWer:POWer<x>:EFFICIENCY:OUTPUT1Type

This command sets or queries the Output1 type (AC or DC) for the power Efficiency measurement of the specified power measurement number.

Conditions Requires option PWR or PS2.

Group Power

Syntax `POWer:POWer<x>:EFFICIENCY:OUTPUT1Type {AC|DC}`
`POWer:POWer<x>:EFFICIENCY:OUTPUT1Type?`

Related Commands [POWer:POWer<x>:EFFICIENCY:INPUTType](#)

Arguments `POWer<x>` is the number of a power efficiency measurement. This is the equivalent of the number shown on the power measurement badge of the UI.

AC sets the output1 voltage type to AC.

DC sets the output1 voltage type to DC.

Examples `POWer:POWer1:EFFICIENCY:OUTPUT1Type DC` sets the output type to DC for power Efficiency measurement 1.

`POWer:POWer3:EFFICIENCY:OUTPUT1Type?` might return AC, indicating that the power output type for power Efficiency measurement 3 is AC.

POWer:POWer<x>:EFFICIENCY:OUTPUT2Type

This command sets or queries the Output2 type (AC or DC) for the power Efficiency measurement of the specified power measurement number.

Conditions Requires option PWR or PS2.

Group Power

Syntax `POWer:POWer<x>:EFFICIENCY:OUTPUT2Type {AC|DC}`
`POWer:POWer<x>:EFFICIENCY:OUTPUT2Type?`

Related Commands [POWer:POWer<x>:EFFICIENCY:INPUTType](#)

Arguments `POWer<x>` is the number of a power efficiency measurement. This is the equivalent of the number shown on the power measurement badge of the UI.

AC sets the Output2 voltage type to AC.

DC sets the Output2 voltage type to DC.

Examples `POWer:POWer1:EFFICIENCY:OUTPUT2Type DC` sets the Output2 type to DC for power Efficiency measurement 1.

`Power:Power3:EFFICIENCY:OUTPUT2Type?` might return AC, indicating that the power Output2 type for power Efficiency measurement 3 is AC.

POWer:POWer<x>:EFFICIENCY:OUTPUT3Type

This command sets or queries the Output3 type (AC or DC) for the power Efficiency measurement of the specified power measurement number.

Conditions Requires option PWR or PS2.

Group Power

Syntax `Power:Power<x>:EFFICIENCY:OUTPUT3Type {AC|DC}`
`Power:Power<x>:EFFICIENCY:OUTPUT3Type?`

Related Commands [POWer:POWer<x>:EFFICIENCY:INPUTType](#)

Arguments `Power<x>` is the number of a power efficiency measurement. This is the equivalent of the number shown on the power measurement badge of the UI.

AC sets the Output3 voltage type to AC.

DC sets the Output3 voltage type to DC.

Examples `Power:Power1:EFFICIENCY:OUTPUT3Type DC` sets the Output3 type to DC for power Efficiency measurement 1.

`Power:Power3:EFFICIENCY:OUTPUT3Type?` might return AC, indicating that the power Output3 type for power Efficiency measurement 3 is AC.

POWer:POWer<x>:EFFICIENCY:OUTPUTType

This command sets or queries the output type (AC or DC) for power Efficiency measurement of the specified power measurement number.

Conditions Requires option PWR or PS2.

Group Power

Syntax `Power:Power<x>:EFFICIENCY:OUTPUTType {AC|DC}`
`Power:Power<x>:EFFICIENCY:OUTPUTType?`

Related Commands [POWER:Power<x>:EFFICIENCY:INPUTType](#)

Arguments `Power<x>` is the number of a power efficiency measurement. This is the equivalent of the number shown on the power measurement badge of the UI.

AC sets the output voltage type to AC.

DC sets the output voltage type to DC.

Examples `Power:Power1:EFFICIENCY:OUTPUTType DC` sets the output type to DC for power Efficiency measurement 1

`Power:Power3:EFFICIENCY:OUTPUTType?` might return AC, indicating that the power output type for power Efficiency measurement 3 is AC.

POWER:Power<x>:EFFICIENCY:VOUT1SOURCE

This command sets or queries the output 1 voltage source for the power Efficiency measurement of the specified power measurement number.

Conditions Requires option PWR or PS2.

Group Power

Syntax `Power:Power<x>:EFFICIENCY:VOUT1SOURCE {CH<x>|MATH<x>|REF<x>}`
`Power:Power<x>:EFFICIENCY:VOUT1SOURCE?`

Related Commands [POWER:Power<x>:EFFICIENCY:VOUT2SOURCE](#)
[POWER:Power<x>:EFFICIENCY:VOUT3SOURCE](#)

Arguments `Power<x>` is the number of a power efficiency measurement. This is the equivalent of the number shown in the power measurement badge on the UI.

CH<x> = A channel specifier; <x> is 1 through 8 and is limited by the number of FlexChannels in your instrument.

MATH<x> = A math waveform specifier; <x> is ≥ 1 .

REF<x> = A reference waveform specifier; <x> is ≥ 1 .

- Examples** `POWER:POWER4:EFFICIENCY:VOUT1SOURCE CH4` sets the source for the output 1 voltage efficiency measurement of power measurement 4 to Channel 4.
- `POWER:POWER1:EFFICIENCY:VOUT1SOURCE?` might return CH3, indicating that the source for the output 1 voltage efficiency measurement of power measurement 1 is Channel 3.

POWER:POWER<x>:EFFICIENCY:VOUT2SOURCE

This command sets or queries the output 2 voltage source for the power Efficiency measurement of the specified power measurement number.

- Conditions** Requires option PWR or PS2.
- Group** Power
- Syntax** `POWER:POWER<x>:EFFICIENCY:VOUT2SOURCE {CH<x>|MATH<x>|REF<x>}`
`POWER:POWER<x>:EFFICIENCY:VOUT2SOURCE?`
- Related Commands** [POWER:POWER<x>:EFFICIENCY:VOUT1SOURCE](#)
[POWER:POWER<x>:EFFICIENCY:VOUT3SOURCE](#)
- Arguments** `POWER<x>` is the number of a power efficiency measurement. This is the equivalent of the number shown in the power measurement badge on the UI.
- `CH<x>` = A channel specifier; <x> is 1 through 8 and is limited by the number of FlexChannels in your instrument.
- `MATH<x>` = A math waveform specifier; <x> is ≥ 1 .
- `REF<x>` = A reference waveform specifier; <x> is ≥ 1 .
- Examples** `POWER:POWER4:EFFICIENCY:VOUT2SOURCE CH5` sets the source for the output 2 voltage efficiency measurement of power measurement 4 to Channel 5.
- `POWER:POWER1:EFFICIENCY:VOUT2SOURCE?` might return CH3, indicating that the source for the output 2 voltage efficiency measurement of power measurement 1 is Channel 3.

POWER:POWER<x>:EFFICIENCY:VOUT3SOURCE

This command sets or queries the output 3 voltage source for the power Efficiency measurement of the specified power measurement number.

Conditions	Requires option PWR or PS2.
Group	Power
Syntax	<pre>Power:Power<x>:EFFICIENCY:VOUT3SOURCE {CH<x> MATH<x> REF<x>} Power:Power<x>:EFFICIENCY:VOUT3SOURCE?</pre>
Related Commands	<p>POWER:Power<x>:EFFICIENCY:VOUT1SOURCE</p> <p>POWER:Power<x>:EFFICIENCY:VOUT2SOURCE</p>
Arguments	<p>Power<x> is the number of a power efficiency measurement. This is the equivalent of the number shown on the power measurement badge in the UI.</p> <p>CH<x> = A channel specifier; <x> is 1 through 8 and is limited by the number of FlexChannels in your instrument.</p> <p>MATH<x> = A math waveform specifier; <x> is ≥ 1.</p> <p>REF<x> = A reference waveform specifier; <x> is ≥ 1.</p>
Examples	<p>Power:Power4:EFFICIENCY:VOUT3SOURCE REF7 sets the source for the output 3 voltage efficiency measurement of power measurement 4 to Reference waveform 7.</p> <p>Power:Power1:EFFICIENCY:VOUT3SOURCE? might return CH5, indicating that the source for the output 3 voltage efficiency measurement of power measurement 1 is Channel 5.</p>

POWER:Power<x>:EFFICIENCY:VSOURCE

This command sets or queries the voltage source for the power Efficiency measurement of the specified power measurement number.

Conditions	Requires option PWR or PS2.
Group	Power
Syntax	<pre>Power:Power<x>:EFFICIENCY:VSOURCE Power:Power<x>:EFFICIENCY:VSOURCE?</pre>
Related Commands	POWER:Power<x>:EFFICIENCY:ISOURCE

Arguments `POWER<x>` is the number of a power efficiency measurement. This is the equivalent of the number shown in the power measurement badge on the UI.

`CH<x>` = A channel specifier; `<x>` is 1 through 8 and is limited by the number of FlexChannels in your instrument.

`MATH<x>` = A math waveform specifier; `<x>` is ≥ 1 .

`REF<x>` = A reference waveform specifier; `<x>` is ≥ 1 .

Examples `POWER:POWER2:EFFICIENCY:VSOURCE CH4` sets the input voltage source for power Efficiency measurement 2 to Channel 4.

`POWER:POWER1:EFFICIENCY:VSOURCE?` might return CH3, indicating that the input voltage source for power Efficiency measurement 1 is Channel 3.

POWER:POWER<x>:FREQUENCY:EDGE

This command sets or queries the edge type for frequency measurement of the specified power measurement number.

Conditions Requires option PWR or PS2.

Group Power

Syntax `POWER:POWER<x>:FREQUENCY:EDGE {RISE|FALL}`
`POWER:POWER<x>:FREQUENCY:EDGE?`

Related Commands [POWER:POWER<x>:FREQUENCY:INPUTSOURCE](#)

Arguments `POWER<x>` is the power measurement number. This is the equivalent of the number shown in the power measurement badge on the UI.

Examples `POWER:POWER1:FREQUENCY:EDGE FALL` sets the edge type as fall for the frequency measurement.

POWER:POWER<x>:FREQUENCY:INPUTSOURCE

This command sets or queries the input source for frequency measurement of the specified power measurement number.

Conditions	Requires option PWR or PS2.
Group	Power
Syntax	Power:Power<x>:FREQUENCY:INPUTSource {CH<x> MATH<x> REF<x>} Power:Power<x>:FREQUENCY:INPUTSource?
Related Commands	POWER:Power<x>:FREQUENCY:EDGE
Arguments	<p>Power<x> is the power measurement number. This is the equivalent of the number shown on a power measurement badge in the UI.</p> <p>CH<x> = A channel specifier; <x> is 1 through 8 and is limited by the number of FlexChannels in your instrument.</p> <p>MATH<x> = A math waveform specifier; <x> is ≥ 1.</p> <p>REF<x> = A reference waveform specifier; <x> is ≥ 1.</p>
Examples	Power:Power1:FREQUENCY:INPUTSource REF1 sets the input source for frequency measurement as REF1.

POWER:Power<x>:GATing

This command sets or queries the gating type for the specified power measurement number.

Conditions	Requires option PWR or PS2.
Group	Power
Syntax	Power:Power<x>:GATing {NONE CURSOR SCREEN LOGIC} Power:Power<x>:GATing?
Arguments	<p>Power<x> is the power measurement number. This is the equivalent of the number shown on a power measurement badge in the UI.</p> <p>NONE makes measurement across the entire waveform record.</p> <p>CURSOR makes measurements on that portion of the waveform between the cursors. Selecting Cursors opens cursors on the measurement source. Set the cursors so that the waveform area of interest is in between the cursors.</p>

SCREEN takes measurements on that portion of the waveform shown in the display. When Zoom is on, the display is the zoom window.

LOGIC takes measurements only when the logical state of a specified waveform is true.

Examples `Power:Power1:GATing CURSOR` sets the gating type for the power measurement badge 1 as Cursor.

`Power:Power2:GATing?` might return SCREEN indicating the configured gating type for the power measurement badge 2.

POWER:POWER<x>:GATing:GLOBal

This command sets or queries the gating settings for the specified power measurement number.

Conditions Requires option PWR or PS2.

Group Power

Syntax `Power:Power<x>:GATing:GLOBal {ON|OFF|1|0}`
`Power:Power<x>:GATing:GLOBal?`

Arguments `Power<x>` is the power measurement number. This is the equivalent of the number shown on a power measurement badge in the UI.

1 selects the gating settings as Global.

ON selects the gating settings as Global.

0 selects the gating settings as Local.

OFF selects the gating settings as Local.

Examples `Power:Power1:GATing:GLOBal 1` selects the gating settings as Global for the power measurement badge 1.

POWER:POWER<x>:HARMONICS:CLASs

This command sets or queries the class type for the harmonics measurement in the specified power measurement number. The power measurement number is specified by x.

Conditions	Requires option PWR or PS2.
Group	Power
Syntax	Power:Power<x>:HARMONICS:CLASS {CLASSA CLASSB CLASSC CLASSD} Power:Power<x>:HARMONICS:CLASS?
Related Commands	POWER:POWER<x>:HARMONICS:STANDARD
Examples	Power:Power1:HARMONICS:CLASS CLASSB sets the class type for harmonics measurement as CLASSB.

POWER:POWER<x>:HARMONICS:CLFile

This command sets or queries the custom limits file path for the harmonics measurement. The power measurement number is specified by x.

Conditions	Requires option PWR or PS2.
Group	Power
Syntax	Power:Power<x>:HARMONICS:CLFile <QString> Power:Power<x>:HARMONICS:CLFile?
Arguments	<QString> specifies the custom limits file path that can be loaded when the harmonics standard type selected is CUSTom.
Examples	Power:Power1:HARMONICS:CLFile "C:/Applications/Power/Harmonics Limits/userdefineslimits.csv" specifies the custom limits file path. Power:Power1:HARMONICS:CLFile? might return :Power:Power1:HARMONICS:CLFile "C:/Applications/Power/Harmonics Limits/userdefineslimits.csv", indicating the custom limits file path.

POWer:POWer<x>:HARMONICS:CMETHod

This command sets or queries the fundamental current method for the harmonics measurement of the specified power measurement number.

Conditions Requires option PWR or PS2.

Group Power

Syntax POWer:POWer<x>:HARMONICS:CMETHod {RATed | MEASured}
POWer:POWer<x>:HARMONICS:CMETHod?

Related Commands [POWer:POWer<x>:HARMONICS:STANDard](#)

Arguments POWer<x> is the power measurement number. This is the equivalent of the number shown on a power measurement badge in the UI.

RATed: select to use the standard input current values in the measurement.

MEASured: select to use the measured the input current values in the measurement.

Examples POWer:POWer1:HARMONICS:CMETHod RATed sets the current method for harmonics measurement as rated.

POWer:POWer<x>:HARMONICS:FUNDCURRent

This command sets or queries the fundamental current value for the harmonics measurement of the specified power measurement number.

Conditions Requires option PWR or PS2.

Group Power

Syntax POWer:POWer<x>:HARMONICS:FUNDCURRent <NR1>
POWer:POWer<x>:HARMONICS:FUNDCURRent?

Related Commands [POWer:POWer<x>:HARMONICS:CLASs](#)

Arguments `POWer<x>` is the power measurement number. This is the equivalent of the number shown on a power measurement badge in the UI.
`<NR1>` ranges from 0 to 16.

Examples `POWer:POWer<x>:HARMONICS:FUNDCURRENT 1.5` sets the fundamental current for the harmonics measurement as 1.5.

POWer:POWer<x>:HARMONICS:HORDER

This command sets or queries the order value for the harmonics measurement of the specified power measurement number.

Conditions Requires option PWR or PS2.

Group Power

Syntax `POWer:POWer<x>:HARMONICS:HORDER <NR1>`
`POWer:POWer<x>:HARMONICS:HORDER?`

Arguments `POWer<x>` is the power measurement number. This is the equivalent of the number shown on a power measurement badge in the UI.
`<NR1>` ranges from 40 to 100.

Examples `POWer:POWer1:HARMONICS:HORDER 70` sets the order value for the harmonics measurement as 70.

POWer:POWer<x>:HARMONICS:HSOURCe

This command sets or queries the source type for the harmonics measurement of the specified power measurement number. The power measurement number is specified by x.

Conditions Requires option PWR or PS2.

Group Power

Syntax `POWer:POWer<x>:HARMONICS:HSOURCe {CURRENT | VOLTage}`
`POWer:POWer<x>:HARMONICS:HSOURCe?`

Related Commands [POWer:POWer<x>:HARMONICS:STANDard](#)

Examples `POWer:POWer1:HARMONICS:HSOURce CURRENT` sets the source as current for the harmonics measurement.

POWer:POWer<x>:HARMONICS:IPOWer

This command sets or queries the input power value for the harmonics measurement of the specified power measurement number.

Conditions Requires option PWR or PS2.

Group Power

Syntax `POWer:POWer<x>:HARMONICS:IPOWer <NR1>`
`POWer:POWer<x>:HARMONICS:IPOWer?`

Related Commands [POWer:POWer<x>:HARMONICS:CLASs](#)

Arguments `POWer<x>` is the power measurement number. This is the equivalent of the number shown on a power measurement badge in the UI.

`<NR1>` ranges from 0 to 600.

Examples `POWer:POWer<x>:HARMONICS:IPOWer 150` sets the input power for the harmonics measurement as 150.

POWer:POWer<x>:HARMONICS:ISOURce

This command sets or queries the current source for SOA measurement of the specified power measurement number.

Conditions Requires option PWR or PS2.

Group Power

Syntax `POWer:POWer<x>:HARMONICS:ISOURce {CH<x>|MATH<x>|REF<x>}`
`POWer:POWer<x>:HARMONICS:ISOURce?`

Arguments **Power**<x> is the power measurement number. This is the equivalent of the number shown on a power measurement badge in the UI.

CH<x> = A channel specifier; <x> is 1 through 8 and is limited by the number of FlexChannels in your instrument.

MATH<x> = A math waveform specifier; <x> is ≥1.

REF<x> = A reference waveform specifier; <x> is ≥1.

Examples **Power:Power1:HARMONICS:ISOURCE CH2** sets the current source for harmonics measurement as channel 2.

Power:Power<x>:HARMONICS:LINEFREQUENCY

This command sets or queries the value for the line frequency for the Harmonics measurement.

Conditions Requires option PWR or PS2.

Group Power

Syntax **Power:Power<x>:HARMONICS:LINEFREQUENCY** {Auto|FIFTYhz|SIXTYhz|THREESIXTYhz|FOURHUNDREdHz|SIXFIFTYhz|EIGHTHUNDREdHz|CUSTOM
Power:Power<x>:HARMONICS:LINEFREQUENCY?

Related Commands [Power:Power<x>:HARMONICS:LINEFREQUENCY](#)

Arguments **Power**<x> is the Power measurement identifier number.

Auto automatically detects and sets the line frequency value.

FIFTYhz sets the line frequency value to 50 Hz.

SIXTYhz sets the line frequency value to 60 Hz.

THREESIXTYhz sets the line frequency value to 360 Hz.

FOURHUNDREdHz sets the line frequency value to 400 Hz.

SIXFIFTYhz sets the line frequency value to 650 Hz.

EIGHTHUNDREdHz sets the line frequency value to 800 Hz.

CUSTOM sets the line frequency value to Custom. The default value for custom is 100 Hz. Use the [Power:Power<x>:HARMONICS:LINEFREQUENCY](#) command to set a custom line frequency value.

- Examples** `POWER:POWER3:HARMONICS:LINEFREQUENCY FIFTYHz` sets the line frequency value for the Harmonics power measurement 3 to 50 Hz.
- `POWER:POWER1:HARMONICS:LINEFREQUENCY?` might return
`POWER:POWER1:HARMONICS:LINEFREQUENCY CUSTOM`, indicating that the line frequency setting for Harmonics power measurement 1 is a custom value.

POWER:POWER<x>:HARMONICS:ODDEVEN

This command sets or queries the harmonics value analysis format of the specified power measurement number.

- Conditions** Requires option PWR or PS2.
- Group** Power
- Syntax** `POWER:POWER<x>:HARMONICS:ODDEVEN {ALL | ODD | EVEN}`
`POWER:POWER<x>:HARMONICS:ODDEVEN?`
- Arguments** `POWER<x>` is the power measurement number. This is the equivalent of the number shown on a power measurement badge in the UI.
- ALL to display all harmonics values
- ODD to display only the odd values of harmonics
- EVEN to display only the even values of harmonics
- Examples** `POWER:POWER3:HARMONICS:ODDEVEN ALL` sets the harmonics value analysis format to display all result values for harmonics measurement 3.

POWER:POWER<x>:HARMONICS:PFACTOR

This command sets or queries the value of power factor for the harmonics measurement of the specified power measurement number.

- Conditions** Requires option PWR or PS2.
- Group** Power

Syntax `Power:Power<x>:HARMONICS:PFACTOR <NR1>`
`Power:Power<x>:HARMONICS:PFACTOR?`

Related Commands [Power:Power<x>:HARMONICS:CLASS](#)

Arguments `Power<x>` is the power measurement number. This is the equivalent of the number shown on a power measurement badge in the UI.
`<NR1>` ranges from 0 to 1.

Examples `Power:Power2:HARMONICS:PFACTOR 0.7` sets the power factor as 0.7 for harmonics measurement 2.

Power:Power<x>:HARMONICS:POWERRating

This command sets or queries the power level for the harmonics measurement of the specified power measurement number. The power measurement number is specified by x.

Conditions Requires option PWR or PS2.

Group Power

Syntax `Power:Power<x>:HARMONICS:POWERRating {HIGH | LOW}`
`Power:Power<x>:HARMONICS:POWERRating?`

Related Commands [Power:Power<x>:HARMONICS:STANDARD](#)

Examples `Power:Power1:HARMONICS:POWERRating HIGH` sets the power level as high for harmonics measurement 1.

Power:Power<x>:HARMONICS:RCURRENT

This command sets or queries the rated current for the harmonics measurement of the specified power measurement number.

Conditions Requires option PWR or PS2.

Group	Power
Syntax	<code>POWER:POWER<x>:HARMONICS:RCURRENT <NR1></code> <code>POWER:POWER<x>:HARMONICS:RCURRENT?</code>
Related Commands	POWER:POWER<x>:HARMONICS:CMETHOD
Arguments	<code>POWER<x></code> is the power measurement number. This is the equivalent of the number shown on a power measurement badge in the UI. <NR1> ranges from 0 to 100
Examples	<code>POWER:POWER2:HARMONICS:RCURRENT 1.5</code> sets the rated current as 1.5 for harmonics measurement 2.

POWER:POWER<x>:HARMONICS:STANDARD

This command sets or queries the test mode for harmonics measurement of the specified power measurement number.

Conditions	Requires option PWR or PS2.
Group	Power
Syntax	<code>POWER:POWER<x>:HARMONICS:STANDARD {NONE IEC MIL AM14 DO160 CUSTOM}</code> <code>POWER:POWER<x>:HARMONICS:STANDARD?</code>
Arguments	<code>POWER<x></code> is the power measurement number. This is the equivalent of the number shown on a power measurement badge in the UI. NONE = No standard IEC = IEC 61000-3-2 standard MIL = MIL-STD-1399 standard AM14 = AM14 standard DO160 = DO160 standard CUSTOM = CUSTOM standard

Examples `Power:Power3:HARMONICS:STANDARD AM14` sets the test mode for harmonics measurement as AM14 for harmonics measurement 3.

POWER:POWER<x>:HARMONICS:STARTFREQUENCY

This command sets or queries the value for the start frequency for the Harmonics measurement. in the range of 1 Hz to 1 GHz.

Conditions Requires option PWR or PS2.

Group Power

Syntax `Power:Power<x>:HARMONICS:STARTFREQUENCY <NR2>`
`Power:Power<x>:HARMONICS:STARTFREQUENCY?`

Arguments `Power<x>` is the Power measurement.
`<NR2>` sets the starting frequency, in hertz.

Examples `Power:Power1:HARMONICS:STARTFREQUENCY 1000` sets the Harmonics measurement start frequency to 1 kHz for power measurement 1.
`Power:Power4:HARMONICS:STARTFREQUENCY?` might return
`Power:Power4:HARMONICS:STARTFREQUENCY 60.` indicating that the start frequency for Harmonics power measurement 4 is 60 Hz.

POWER:POWER<x>:HARMONICS:UNITS

This command sets or queries the harmonics results units of the specified power measurement number. The power measurement number is specified by x.

Conditions Requires option PWR or PS2.

Group Power

Syntax `Power:Power<x>:HARMONICS:UNITS {LOG | LINEAR}`
`Power:Power<x>:HARMONICS:UNITS?`

Examples `Power:Power1:HARMONICS:UNITS LOG` sets the harmonics results units as logarithmic for harmonics measurement 1.

POWER:POWER<x>:HARMONICS:VSOURCE

This command sets or queries the voltage source for SOA measurement of the specified power measurement number.

Conditions	Requires option PWR or PS2.
Group	Power
Syntax	POWER:POWER<x>:HARMONICS:VSOURCE {CH<x> MATH<x> REF<x>} POWER:POWER<x>:HARMONICS:VSOURCE?
Arguments	<p>POWER<x> is the power measurement number. This is the equivalent of the number shown on a power measurement badge in the UI.</p> <p>CH<x> = A channel specifier; <x> is 1 through 8 and is limited by the number of FlexChannels in your instrument.</p> <p>MATH<x> = A math waveform specifier; <x> is ≥ 1.</p> <p>REF<x> = A reference waveform specifier; <x> is ≥ 1.</p>
Examples	POWER:POWER4:HARMONICS:VSOURCE CH1 sets the voltage source for harmonics measurement 4 as channel 1.

POWER:POWER<x>:IMPEDANCE:AMP<x>Val

Sets or queries the signal generator amplitude setting of the specified profile step, for the specified Impedance measurement.

Conditions	Requires option 5-PWR (5 Series MSO instruments) or 6-PWR (6 Series MSO instrument).
Group	Power
Syntax	POWER:POWER<x>:IMPEDANCE:AMP<x>Val <NR3> POWER:POWER<x>:IMPEDANCE:AMP<x>Val?
Arguments	<p>POWER<x> is the number of the Impedance power measurement.</p> <p>AMP<x> specifies the number of the profile step. The valid range is 1 to 10.</p>

<NR3> sets the generator output amplitude for the specified profile step, in the range -100 V to 100 V.

Examples `Power:Power2:IMPEDANCE:AMP1Val 35` sets the generator output amplitude of profile step 1 to 35 volts, for impedance measurement 2.

`Power:Power3:IMPEDANCE:AMP2Val?` might return `200.0000E-3`, indicating that the signal generator output amplitude is set to 200 mV for profile step 2, for impedance measurement 3.

POWer:POWer<x>:IMPEDANCE:AMPMode

Sets or queries the power amplitude mode for the Impedance measurement.

Conditions Requires option 5-PWR (5 Series MSO instruments) or 6-PWR (6 Series MSO instrument).

Group Power

Syntax `Power:Power<x>:IMPEDANCE:AMPMode {CONSTant|PROFile}`
`Power:Power<x>:IMPEDANCE:AMPMode?`

Related Commands [Power:Power<x>:IMPEDANCE:AMP<x>Val](#)
[Power:Power<x>:IMPEDANCE:FREQ<x>Val](#)

Arguments `Power<x>` is the number of the Impedance power measurement.

`CONSTant` sets the generator to output a constant level signal.

`PROFile` uses related commands to set the generator output signal profile (Start frequency, Stop frequency, and Amplitude for each profile step).

Examples `Power:Power3:Impedance:AMPMode PROFile` sets the Impedance measurement 3 amplitude mode to Profile.

`Power:Power1:Impedance:AMPMode?` might return `CONSTANT`, indicating that the Impedance measurement 1 amplitude mode is set to Constant.

POWer:POWer<x>:IMPEDANCE:ANALYSISMethod

This command sets or queries the Analysis Method for Impedance measurements.

Group	Power
Syntax	<code>Power:POWER<x>:IMPEDANCE:ANALYSISMethod {SV FFT}</code> <code>Power:POWER<x>:IMPEDANCE:ANALYSISMethod?</code>
Arguments	<p><code>Power<x></code> is the power measurement number. This is the equivalent of the number shown in the UI for a power measurement badge.</p> <p><code>SV</code> sets the Analysis Method as Spectrum View.</p> <p><code>FFT</code> sets the Analysis Method as FFT.</p>
Examples	<p><code>Power:POWER1:IMPEDANCE:ANALYSISMethod SV</code> sets the Analysis Method as Spectrum View for power measurement 1.</p> <p><code>Power:POWER1:IMPEDANCE:ANALYSISMethod?</code> might return <code>:Power:POWER1:IMPEDANCE:ANALYSISMethod SV</code>, indicating that the Analysis Method is Spectrum View.</p>

POWER:POWER<x>:IMPEDANCE:AUTORbw

This command enables Auto RBW computation.

Group	Power
Syntax	<code>Power:POWER<x>:IMPEDANCE:AUTORbw {True False}</code> <code>Power:POWER<x>:IMPEDANCE:AUTORbw?</code>
Arguments	<p><code>Power<x></code> is the power measurement number. This is the equivalent of the number shown in the UI for a power measurement badge.</p> <p><code>True</code> enables Auto RBW computation.</p> <p><code>False</code> disables Auto RBW computation.</p>
Examples	<p><code>Power:POWER1:IMPEDANCE:AUTORbw true</code> enables Auto RBW computation.</p> <p><code>Power:POWER1:IMPEDANCE:AUTORbw?</code> might return <code>:Power:POWER1:IMPEDANCE:AUTORbw true</code>, indicating that Auto RBW computation is enabled.</p>

POWER:POWER<x>:IMPEDANCE:CONNECTSTATUS? (Query Only)

Queries the instrument's connection status to the external generator, for the specified Impedance measurement. The Impedance measurement generator IP address (for external generators) is set with [POWER:POWER<x>:IMPEDANCE:GENIPADDRESS](#).

Conditions	Requires option 5-PWR (5 Series MSO instruments) or 6-PWR (6 Series MSO instrument).
Group	Power
Syntax	POWER:POWER<x>:IMPEDANCE:CONNECTSTATUS?
Arguments	POWER<x> is the number of the Impedance power measurement.
Returns	<p>SUCCESS indicates the instrument recognizes the connection to the external generator.</p> <p>FAILURE indicates the instrument could not make the connection to the external generator.</p> <p>UNSUPPORTED indicates that the connected generator is not recognized.</p>
Examples	POWER:POWER1:IMPEDANCE:CONNECTSTATUS? might return FAILURE, indicating that the instrument could not connect to the external generator at the specified IP address.

POWER:POWER<x>:IMPEDANCE:CONSTAMPLITUDE

Sets or queries the constant amplitude value for the specified Impedance measurement.

Conditions	Requires option 5-PWR (5 Series MSO instruments) or 6-PWR (6 Series MSO instrument).
Group	Power
Syntax	<p>POWER:POWER<x>:IMPEDANCE:CONSTAMPLITUDE <NR3></p> <p>POWER:POWER<x>:IMPEDANCE:CONSTAMPLITUDE?</p>

Arguments	<p><code>Power<x></code> is the number of the Impedance power measurement.</p> <p><code><NR3></code> specifies the constant amplitude value, in the range of -100 V to 100 V.</p>
Examples	<p><code>Power:Power3:IMPEDANCE:CONSTAmplitude 20</code> sets the constant amplitude value for Impedance power measurement 3 to 20 volts.</p> <p><code>Power:Power2:IMPEDANCE:CONSTAmplitude?</code> might return <code>100.0000</code>, indicating the constant amplitude setting for Impedance power measurement 2 is 100 V.</p>

POWER:POWER<x>:IMPEDANCE:FREQ<x>Val

Sets or queries the signal generator start frequency of the specified profile step, for the specified Impedance measurement.

Conditions	Requires option 5-PWR (5 Series MSO instruments) or 6-PWR (6 Series MSO instrument).
Group	Power
Syntax	<p><code>Power:Power<x>:IMPEDANCE:FREQ<x>Val <NR3></code></p> <p><code>Power:Power<x>:IMPEDANCE:FREQ<x>Val?</code></p>
Arguments	<p><code>Power<x></code> is the number of the Impedance power measurement.</p> <p><code>FREQ<x></code> specifies the number of the profile step. The valid range is 1 to 10.</p> <p><code><NR3></code> sets the start frequency, in the range of 10 Hz to 50 MHz, for the specified profile step. You can only set the starting frequency for each profile step; the stop frequency is automatically set to same value as the start frequency of the next profile step. For example, if Step one is set to 1 MHz, and Step two is set to 2 MHz, then the Step one stop frequency is 2 MHz.</p>
Examples	<p><code>Power:Power5:IMPEDANCE:FREQ3Val 1e3</code> sets the start frequency of profile step 3 to 1 kHz, for impedance measurement 5.</p> <p><code>Power:Power8:IMPEDANCE:FREQ2Val?</code> might return <code>2.0000E+6</code>, indicating that the start frequency of profile step 2 is 2 MHz, for impedance measurement 8.</p>

POWER:POWER<x>:IMPEDANCE:GENerator

Sets or queries the generator source for the Impedance power measurement.

Conditions	Requires option 5-PWR (5 Series MSO instruments) or 6-PWR (6 Series MSO instrument).
Group	Power
Syntax	<pre>Power:Power<x>:IMPEDANCE:GENERator {INTERNAL EXTERNAL} Power:Power<x>:IMPEDANCE:GENERator?</pre>
Arguments	<p>Power<x> is the number of the Impedance power measurement.</p> <p>INTERNAL sets the internal generator as the source for the Impedance power measurement.</p> <p>EXTERNAL sets the external generator as the source for the Impedance power measurement. Supported external generators are the Tektronix AFG31000 and AFG3000 series.</p>
Examples	<p>Power:Power1:Impedance:GENERator Internal sets the internal generator as the source for the Impedance measurement.</p> <p>Power:Power7:Impedance:GENERator? might return EXTERNAL, indicating that the Impedance measurement 7 is set to use an external generator.</p>

POWer:POWer<x>:IMPEDANCE:GENIPADDRESS

Sets or queries the external generator IP Address associated with the specified Impedance measurement.

Conditions	Requires option 5-PWR (5 Series MSO instruments) or 6-PWR (6 Series MSO instrument).
Group	Power
Syntax	<pre>Power:Power<x>:IMPEDANCE:GENIPADDRESS <QString> Power:Power<x>:IMPEDANCE:GENIPADDRESS?</pre>
Arguments	<p>Power<x> is the number of the Impedance power measurement.</p> <p><QString> is the IP address of the generator.</p>
Examples	<p>Power:Power4:IMPEDANCE:GENIPADDRESS 164.32.1.5 sets the IP address of the external generator to 164.32.1.5 for the Impedance power measurement 4.</p>

`Power:Power2:IMPEDANCE:GENIPADDRESS?` might return "", indicating that there is no address set for the external generator associated with Impedance power measurement 2.

POWER:POWER<x>:IMPEDANCE:IMPEDANCE

Sets or queries the output impedance of the generator for the specified Impedance power measurement.

Conditions	Requires option 5-PWR (5 Series MSO instruments) or 6-PWR (6 Series MSO instrument).
Group	Power
Syntax	<code>Power:Power<x>:IMPEDANCE:IMPEDANCE {FIFTY HIGHZ}</code> <code>Power:Power<x>:IMPEDANCE:IMPEDANCE?</code>
Arguments	<code>Power<x></code> is the number of the Impedance power measurement. <code>FIFTY</code> sets the measurement impedance to 50 Ω . <code>HIGHZ</code> sets the measurement impedance to 1 $M\Omega$.
Examples	<code>Power:Power1:IMPEDANCE:IMPEDANCE FIFTY</code> sets the impedance value for Impedance power measurement 1 to 50 Ω . <code>Power:Power2:IMPEDANCE:IMPEDANCE?</code> might return <code>HIGHZ</code> , indicating that the impedance value for Impedance power measurement 2 is 1 $M\Omega$.

POWER:POWER<x>:IMPEDANCE:INPUTSource

Sets or queries the source for the Impedance input measurement.

Conditions	Requires option 5-PWR (5 Series MSO instruments) or 6-PWR (6 Series MSO instrument)
Group	Power
Syntax	<code>Power:Power<x>:IMPEDANCE:INPUTSource {CH<x> MATH<x> REF<x>}</code> <code>Power:Power<x>:IMPEDANCE:INPUTSource?</code>

Arguments	<p><code>POWer<x></code> is the number of the Impedance power measurement.</p> <p><code>CH<x></code> specifies the instrument input channel number.</p> <p><code>MATH<x></code> specifies the instrument math waveform number.</p> <p><code>REF<x></code> specifies the instrument reference waveform number.</p>
Examples	<p><code>POWer:POWer1:IMPEDANCE:INPUTSource MATH5</code> sets the signal source for the input Impedance power measurement 2 to Math waveform 5.</p> <p><code>POWer:POWer2:IMPEDANCE:INPUTSource?</code> might return <code>CH3</code>, indicating that the signal source for the input Impedance power measurement 2 is channel 3.</p>

POWer:POWer<x>:IMPEDANCE:OUTPUTSource

Sets or queries the source for the Impedance output measurement.

Conditions	Requires option 5-PWR (5 Series MSO instruments) or 6-PWR (6 Series MSO instrument)
Group	Power
Syntax	<p><code>POWer:POWer<x>:IMPEDANCE:OUTPUTSource {CH<x> MATH<x> REF<x>}</code></p> <p><code>POWer:POWer<x>:IMPEDANCE:OUTPUTSource?</code></p>
Arguments	<p><code>POWer<x></code> is the number of the Impedance power measurement.</p> <p><code>CH<x></code> specifies the instrument input channel number.</p> <p><code>MATH<x></code> specifies the instrument math waveform number.</p> <p><code>REF<x></code> specifies the instrument reference waveform number.</p>
Examples	<p><code>POWer:POWer1:IMPEDANCE:OUTPUTSource REF3</code> sets the signal source for the output Impedance power measurement 1 to Reference waveform 3.</p> <p><code>POWer:POWer2:IMPEDANCE:OUTPUTSource?</code> might return <code>CH3</code>, indicating that the signal source for the output Impedance power measurement 2 is channel 3.</p>

POWer:POWer<x>:IMPEDANCE:PPD

Sets or queries the value for points per decade for the specified Impedance measurement.

Conditions	Requires option 5-PWR (5 Series MSO instruments) or 6-PWR (6 Series MSO instrument).
Group	Power
Syntax	POWER:POWER<x>:IMPEDANCE:PPD <NR1> POWER:POWER<x>:IMPEDANCE:PPD?
Arguments	POWER<x> is the number of the Impedance power measurement. <NR1> specifies the number of frequency points between the start and stop frequency in terms of log scale, in the range of 10 to 100 points.
Examples	POWER:POWER1:IMPEDANCE:PPD 20 sets the constant amplitude value for Impedance power measurement 1 to 20 points per decade. POWER:POWER2:IMPEDANCE:PPD? might return 30, indicating that the points per decade setting for Impedance power measurement 2 is 30 points per decade.

POWER:POWER<x>:IMPEDANCE:STARTFREQUENCY

Sets or queries the value for the start frequency of the specified Impedance measurement.

Conditions	Requires option 5-PWR (5 Series MSO instruments) or 6-PWR (6 Series MSO instrument).
Group	Power
Syntax	POWER:POWER<x>:IMPEDANCE:STARTFREQUENCY <NR3> POWER:POWER<x>:IMPEDANCE:STARTFREQUENCY?
Related Commands	POWER:POWER<x>:IMPEDANCE:STOPFREQUENCY
Arguments	POWER<x> is the number of the Impedance power measurement. <NR3> is a floating point number representing the start frequency, in the range of 10 Hz to 50 MHz.
Examples	POWER:POWER1:IMPEDANCE:STARTFREQUENCY 1.500e3 sets the start frequency for Impedance power measurement 1 to 1.5 kHz.

`Power:Power2:IMPEDANCE:STARTFREQUENCY?` might return 100.0000, indicating the start frequency for Impedance power measurement 2 is 100 Hz.

POWER:POWER<x>:IMPEDANCE:STOPFREQUENCY

Sets or queries the value of the specified Impedance measurement.

Conditions Requires option 5-PWR (5 Series MSO instruments) or 6-PWR (6 Series MSO instrument).

Group Power

Syntax `Power:Power<x>:IMPEDANCE:STOPFREQUENCY <NR3>`
`Power:Power<x>:IMPEDANCE:STOPFREQUENCY?`

Related Commands [POWER:POWER<x>:IMPEDANCE:STARTFREQUENCY](#)

Arguments `Power<x>` is the number of the Impedance power measurement.
`<NR3>` specifies the start frequency, in the range of 10 Hz to 50 MHz.

Examples `Power:Power1:IMPEDANCE:STOPFREQUENCY 180` sets the stop frequency for Impedance power measurement 1 to 180 Hz.

`Power:Power2:IMPEDANCE:STARTFREQUENCY?` might return 100.0000, indicating the stop frequency for Impedance power measurement 2 is 100 Hz.

POWER:POWER<x>:IMPEDANCE:TESTCONNECTION (No Query Form)

This command tests the connection with the external instrument for the specified Impedance measurement.

Conditions Requires option 5-PWR (5 Series MSO instruments) or 6-PWR (6 Series MSO instrument).

Group Power

Syntax `Power:Power<x>:IMPEDANCE:TESTCONNECTION {EXECUTE}`

Related Commands [POWER:POWER<x>:IMPEDANCE:CONNECTSTATus?](#)
[POWER:POWER<x>:IMPEDANCE:GENIPADDress](#)

Arguments POWER<x> is the number of the Impedance power measurement.
EXECute runs the test connection function.

Examples POWER:POWER3:PSRR:TESTCONNECTION EXECute runs the test connection function for the Impedance power measurement 3.

POWER:POWER<x>:INDUCTANCE:EDGESource

This command sets or queries the edge source for the power inductance measurement of the specified power measurement number.

Conditions Requires option PWR or PS2.

Group Power

Syntax POWER:POWER<x>:INDUCTANCE:EDGESource {CH<x>|MATH<x>|REF<x>}
POWER:POWER<x>:INDUCTANCE:EDGESource?

Related Commands [POWER:POWER<x>:INDUCTANCE:ISOURce](#)
[POWER:POWER<x>:INDUCTANCE:VSOURce](#)

Arguments POWER<x> is the power measurement number. This is the equivalent of the number shown on a power measurement badge in the UI.

CH<x> = A channel specifier; <x> is 1 through 8 and is limited by the number of FlexChannels in your instrument.

MATH<x> = A math waveform specifier; <x> is ≥ 1 .

REF<x> = A reference waveform specifier; <x> is ≥ 1 .

Examples POWER:POWER1:HARMONICS:INDUCTANCE:EDGESource CH2 sets the signal edge source for inductance measurement 1 as Channel 2.

POWER:POWER3:HARMONICS:INDUCTANCE:EDGESource? might return CH4, indicating that the signal edge source for inductance measurement 3 is Channel 4.

POWer:POWer<x>:INDUCTANCE:ISOURce

This command sets or queries the current signal source for the inductance measurement of the specified power measurement number.

Conditions Requires option PWR or PS2.

Group Power

Syntax POWer:POWer<x>:INDUCTANCE:ISOURce
POWer:POWer<x>:INDUCTANCE:ISOURce?

Related Commands [POWer:POWer<x>:INDUCTANCE:EDGESource](#)
[POWer:POWer<x>:INDUCTANCE:VSOURce](#)

Arguments POWer<x> is the power measurement number. This is the equivalent of the number shown on a power measurement badge in the UI.

CH<x> = A channel specifier; <x> is 1 through 8 and is limited by the number of FlexChannels in your instrument.

MATH<x> = A math waveform specifier; <x> is ≥ 1 .

REF<x> = A reference waveform specifier; <x> is ≥ 1 .

Examples POWer:POWer7:HARMONICS:INDUCTANCE:ISource CH3 sets the current signal source for inductance measurement 7 as Channel 3.

POWer:POWer3:HARMONICS:INDUCTANCE:ISource? might return CH4, indicating that the current signal source for inductance measurement 3 is Channel 4.

POWer:POWer<x>:INDUCTANCE:VSOURce

This command sets or queries the voltage source for inductance measurement of the specified power measurement number.

Conditions Requires option PWR or PS2.

Group Power

Syntax	<p>Power:Power<x>:INDUCTANCE:VSOURCE</p> <p>Power:Power<x>:INDUCTANCE:VSOURCE?</p>
Related Commands	<p>POWER:POWER<x>:INDUCTANCE:EDGESource</p> <p>POWER:POWER<x>:INDUCTANCE:ISOURce</p>
Arguments	<p>Power<x> is the power measurement number. This is the equivalent of the number shown on a power measurement badge in the UI.</p> <p>CH<x> = A channel specifier; <x> is 1 through 8 and is limited by the number of FlexChannels in your instrument.</p> <p>MATH<x> = A math waveform specifier; <x> is ≥ 1.</p> <p>REF<x> = A reference waveform specifier; <x> is ≥ 1.</p>
Examples	<p>Power:Power7:HARMONICS:INDUCTANCE:VSource CH3 sets the voltage signal source for inductance measurement 7 as Channel 3.</p> <p>Power:Power1:HARMONICS:INDUCTANCE:VSource? might return MATH2, indicating that the voltage signal source for inductance measurement 1 is Math waveform 2.</p>

POWER:POWER<x>:INPUTCAP:ISOURce

This command sets or queries the inrush current input source of the specified Input Capacitance measurement.

Conditions	Requires option PWR or PS2.
Group	Power
Syntax	<p>Power:Power<x>:INPUTCAP:ISOURce {CH<x> REF<x> MATH<x>}</p> <p>Power:Power<x>:INPUTCAP:ISOURce?</p>
Arguments	<p>Power<x> is the power measurement number. This is the equivalent of the number shown on a power measurement badge in the UI.</p> <p>CH<x> is the channel specifier in the range of 1 through 8 and is limited by the number of instrument input channels.</p> <p>REF<x> is the Reference waveform specifier ≥ 1. This is the equivalent of the number shown on a Reference waveform badge in the UI.</p>

MATH<x> is the Math waveform specifier ≥ 1 . This is the equivalent of the number shown on a Math waveform badge in the UI.

Examples `POWER:POWER1:INRUSHcurrent:ISOURCE REF3` sets the current source of Input Capacitance 1 to Reference waveform 3.

`POWER:POWER2:INRUSHcurrent:ISOURCE?` might return `POWER:POWER2:INRUSHcurrent:ISOURCE CH6`, indicating that the current source of the Input Capacitance measurement 2 is Channel 6.

POWER:POWER<x>:INPUTCAP:PEAKCURRENT

This command sets or queries the peak current value of the specified Input Capacitance measurement.

Conditions Requires option PWR or PS2.

Group Power

Syntax `POWER:POWER<x>:INPUTCAP:PEAKCURRENT <NR3>`
`POWER:POWER<x>:INPUTCAP:PEAKCURRENT?`

Arguments `POWER<x>` is the power measurement number. This is the equivalent of the number shown on a power measurement badge in the UI.

`<NR3>` is a floating point number that represents the peak current value, in amps, in the range -100 A to 100 A.

Examples `POWER:POWER4:INPUTCAP:PEAKCURRENT 12.5` sets the peak current value of Input Capacitance measurement 4 to 12.5 amps.

`POWER:POWER2:INPUTCAP:PEAKCURRENT?` might return `POWER:POWER2:INPUTCAP:PEAKCURRENT -85`, indicating that the peak current setting of Input Capacitance measurement 2 is -85 amps.

POWER:POWER<x>:INPUTCAP:PEAKVOLTage

This command sets or queries the peak voltage value of the specified Input Capacitance measurement.

Conditions Requires option PWR or PS2.

Group	Power
Syntax	<pre>Power:Power<x>:INPUTCAP:PEAKVOLTage <NR3> Power:Power<x>:INPUTCAP:PEAKVOLTage?</pre>
Arguments	<p>Power<x> is the power measurement number. This is the equivalent of the number shown on a power measurement badge in the UI.</p> <p><NR3> is a floating point number that represents the peak voltage value in the range -100 V to 100 V.</p>
Examples	<pre>Power:Power4:INPUTCAP:PEAKVOLTage 122.5</pre> sets the peak voltage value of Input Capacitance measurement 4 to 122.5 volts. <p> <pre>Power:Power2:INPUTCAP:PEAKVOLTage?</pre> might return <pre>Power:Power2:INPUTCAP:PEAKVOLTage 955</pre>, indicating that the peak voltage setting of Input Capacitance measurement 2 to 955 volts. </p>

POWER:POWER<x>:INPUTCAP:VSOURCE

This command sets or queries the input voltage source of the specified Input Capacitance measurement.

Conditions	Requires option PWR or PS2.
Group	Power
Syntax	<pre>Power:Power<x>:INPUTCAP:VSOURCE {CH<x> REF<x> MATH<x>} Power:Power<x>:INPUTCAP:VSOURCE?</pre>
Arguments	<p>Power<x> is the power measurement number. This is the equivalent of the number shown on a power measurement badge in the UI.</p> <p>CH<x> is the channel specifier in the range of 1 through 8 and is limited by the number of instrument input channels.</p> <p>REF<x> is the Reference waveform specifier ≥ 1. This is the equivalent of the number shown on a Reference waveform badge in the UI.</p> <p>MATH<x> is the Math waveform specifier ≥ 1. This is the equivalent of the number shown on a Math waveform badge in the UI.</p>

Examples `Power:Power1:INPUTCAP:VSOURCE CH2` sets the voltage source of the input capacitance measurement 1 to Reference Channel 2.

`Power:Power1:INPUTCAP:VSOURCE?` might return `Power:Power2:INPUTCAP:VSOURCE MATH6`, indicating that the voltage source of Input Capacitance measurement 2 is Math waveform 6.

Power:Power<x>:INRUSHcurrent:INPUTSource

This command sets or returns the input source of the specified Inrush Current measurement.

Conditions Requires option PWR or PS2.

Group Power

Syntax `Power:Power<x>:INRUSHcurrent:INPUTSource`
`Power:Power<x>:INRUSHcurrent:INPUTSource?`

Arguments `Power<x>` is the power measurement number. This is the equivalent of the number shown on a power measurement badge in the UI.

`CH<x>` is the channel specifier in the range of 1 through 8 and is limited by the number of instrument input channels.

`REF<x>` is the Reference waveform specifier ≥ 1 . This is the equivalent of the number shown on a Reference waveform badge in the UI.

`MATH<x>` is the Math waveform specifier ≥ 1 . This is the equivalent of the number shown on a Math waveform badge in the UI.

Examples `Power:Power3:INRUSHcurrent:INPUTSource MATH1` sets the input source of Inrush Current measurement 3 to Math waveform 1.

`Power:Power2:INRUSHcurrent:INPUTSource?` might return `Power:Power2:INRUSHcurrent:INPUTSource CH7`, indicating that the input source of Inrush Current measurement 2 is Channel 7.

Power:Power<x>:INRUSHcurrent:PEAKCURRENT

This command sets or returns the peak current value of the specified Inrush Current measurement.

Conditions	Requires option PWR or PS2.
Group	Power
Syntax	POWER:POWER<x>:INRUSHcurrent:PEAKCURRENT <NR3> POWER:POWER<x>:INRUSHcurrent:PEAKCURRENT?
Arguments	POWER<x> is the power measurement number. This is the equivalent of the number shown on a power measurement badge in the UI. <NR3> is a floating point number that represents the peak current value, in amps, in the range -100 A to 100 A.
Examples	POWER:POWER4:INRUSHcurrent:PEAKCURRENT 12.5 sets the peak current value of Inrush Current measurement 4 to 12.5 amps. POWER:POWER2:INRUSHcurrent:PEAKCURRENT? might return POWER:POWER2:INRUSHcurrent:PEAKCURRENT 75, indicating that the peak current setting of Inrush Current measurement 2 is 75 amps.

POWER:POWER<x>:IVSINTEGRALV:ISOURCE

This command sets or queries the current source for I vs Integral V measurement of the specified power measurement number.

Conditions	Requires option PWR or PS2.
Group	Power
Syntax	POWER:POWER<x>:IVSINTEGRALV:ISOURCE {CH<x> MATH<x> REF<x>} POWER:POWER<x>:IVSINTEGRALV:ISOURCE?
Related Commands	POWER:POWER<x>:IVSINTEGRALV:VSOURCE
Arguments	POWER<x> is the power measurement number. This is the equivalent of the number shown in the power measurement badge on the UI. CH<x> sets the channel specifier; <x> is 1 through 8 and is limited by the number of FlexChannels in your instrument. MATH<x> = A math waveform specifier; <x> is ≥ 1 .

REF<x> = A reference waveform specifier; <x> is ≥ 1 .

- Examples** `Power:Power1:IVSINTEGRALV:ISOURCE CH7` sets power measurement 1 to use Channel 7 as the current signal source for the measurement.
- `Power:Power2:IVSINTEGRALV:ISOURCE?` might return CH1, indicating that channel 1 is the current signal source for power measurement number 2.

POWER:POWER<x>:IVSINTEGRALV:VSOURCE

This command sets or queries the voltage source for I vs Integral V measurement of the specified power measurement number.

- Conditions** Requires option PWR or PS2.

- Group** Power

- Syntax** `Power:Power<x>:IVSINTEGRALV:VSOURCE {CH<x>|MATH<x>|REF<x>}`
`Power:Power<x>:IVSINTEGRALV:VSOURCE?`

- Related Commands** [POWER:POWER<x>:IVSINTEGRALV:ISOURCE](#)

- Arguments** `Power<x>` is the power measurement number. This is the equivalent of the number shown in the power measurement badge on the UI.
- `CH<x>` sets the channel specifier; <x> is 1 through 8 and is limited by the number of FlexChannels in your instrument.
- `MATH<x>` = A math waveform specifier; <x> is ≥ 1 .
- `REF<x>` = A reference waveform specifier; <x> is ≥ 1 .

- Examples** `Power:Power2:IVSINTEGRALV:VSOURCE CH1` sets I vs Integral V power measurement 2 to use Channel 1 as the voltage signal source for the measurement.
- `Power:Power4:IVSINTEGRALV:VSOURCE?` might return CH1, indicating that channel 1 is the voltage source for I vs Integral V power measurement number 4.

POWER:POWER<x>:LABEL

This command sets or queries the label for the specified power measurement. As the label can contain non 7-bit ASCII text, it is stored in Percent Encoding format. The power measurement badge is specified by x.

Conditions	Requires option PWR or PS2.
Group	Power
Syntax	POWER:POWER<x>:LABEL <QString> POWER:POWER<x>:LABEL?
Examples	POWER:POWER1:LABEL "NewMeasurement" sets the custom measurement name for the measurement in Power 1 badge as New Measurement.

POWER:POWER<x>:LINERIPPLE:INPUTSource

This command sets or queries the input source for line ripple measurement of the specified power measurement number.

Conditions	Requires option PWR or PS2.
Group	Power
Syntax	POWER:POWER<x>:LINERIPPLE:INPUTSource {CH<x> MATH<x> REF<x>} POWER:POWER<x>:LINERIPPLE:INPUTSource?
Arguments	<p>POWER<x> is the power measurement number. This is the equivalent of the number shown on a power measurement badge in the UI.</p> <p>CH<x> = A channel specifier; <x> is 1 through 8 and is limited by the number of FlexChannels in your instrument.</p> <p>MATH<x> = A math waveform specifier; <x> is ≥ 1.</p> <p>REF<x> = A reference waveform specifier; <x> is ≥ 1.</p>
Examples	POWER:POWER1:LINERIPPLE:INPUTSource CH1 sets channel 1 as the input source for line ripple measurement of power measurement badge Power 1.

POWER:POWER<x>:LINERIPPLE:LFREQUENCY

This command sets or queries the frequency present for line ripple measurement of the specified power measurement number. The power measurement number is specified by x.

Conditions	Requires option PWR or PS2.
Group	Power
Syntax	POWER:POWER<x>:LINERIPPLE:LFREQUENCY {FIFTY SIXTY FOURHUNDRED} POWER:POWER<x>:LINERIPPLE:LFREQUENCY?
Examples	POWER:POWER2:LINERIPPLE:LFREQUENCY FIFTY sets the frequency present for line ripple measurement as 50 Hz for power measurement 2.

POWER:POWER<x>:MAGNETICLOSS:ISOURCE

This command sets or queries the current source for the magnetic loss measurement of the specified power measurement number.

Conditions	Requires option PWR or PS2.
Group	Power
Syntax	POWER:POWER<x>:MAGNETICLOSS:ISOURCE {CH<x> MATH<x> REF<x>} POWER:POWER<x>:MAGNETICLOSS:ISOURCE?
Related Commands	POWER:POWER<x>:MAGNETICLOSS:VSOURCE
Arguments	<p>POWER<x> is the power measurement number. This is the equivalent of the number shown in the power measurement badge on the UI.</p> <p>CH<x> sets the channel specifier; <x> is 1 through 8 and is limited by the number of FlexChannels in your instrument.</p> <p>MATH<x> = A math waveform specifier; <x> is ≥ 1.</p> <p>REF<x> = A reference waveform specifier; <x> is ≥ 1.</p>
Examples	<p>POWER:POWER1:MAGNETICLOSS:ISOURCE CH7 sets power measurement 1 to use Channel 7 as the current signal source for the magnetic loss measurement.</p> <p>POWER:POWER2:MAGNETICLOSS:ISOURCE? might return CH1, indicating that channel 1 is the current signal source for the magnetic loss measurement number 2.</p>

POWer:POWer<x>:MAGNETICLOSS:VSOURce

This command sets or queries the voltage source for magnetic measurement of the specified power measurement number.

Conditions	Requires option PWR or PS2.
Group	Power
Syntax	POWer:POWer<x>:MAGNETICLOSS:VSOURce {CH<x> MATH<x> REF<x>} POWer:POWer<x>:MAGNETICLOSS:VSOURce?
Related Commands	POWer:POWer<x>:MAGNETICLOSS:ISOURce
Arguments	<p>POWer<x> is the power measurement number. This is the equivalent of the number shown in the power measurement badge on the UI.</p> <p>CH<x> sets the channel specifier; <x> is 1 through 8 and is limited by the number of FlexChannels in your instrument.</p> <p>MATH<x> = A math waveform specifier; <x> is ≥ 1.</p> <p>REF<x> = A reference waveform specifier; <x> is ≥ 1.</p>
Examples	<p>POWer:POWer2:MAGNETICLOSS:VSOURce CH4 sets power measurement 2 to use Channel 4 as the voltage signal source for the magnetic loss measurement.</p> <p>POWer:POWer1:MAGNETICLOSS:VSOURce? might return CH1, indicating that channel 1 is the voltage source for the magnetic loss measurement number 1.</p>

POWer:POWer<x>:MAGPROPERTY:AREAofcrossection

This command sets or queries the coil cross section area for magnetic measurement of the specified power measurement number.

Conditions	Requires option PWR or PS2.
Group	Power
Syntax	POWer:POWer<x>:MAGPROPERTY:AREAofcrossection <NR2> POWer:POWer<x>:MAGPROPERTY:AREAofcrossection?

Related Commands [POWER:POWER<x>:MAGPROPERTY:UNITS](#)

Arguments POWER<x> is the magnetic property power measurement number. This is the equivalent of the number shown in the power measurement badge on the UI.

<NR2> is the cross section area in square meters, in the range of 1 nanometer² to 1 M².

Examples POWER:POWER2:MAGPROPERTY:AREAofcrosssection .005 sets the primary winding cross section area to 5 for power measurement 2.

POWER:POWER4:MAGPROPERTY:AREAofcrosssection? might return 10.54E-3, indicating that the coil cross section area for power measurement 4 is 0.01054.

NOTE. The coil Cross Section Area unit depends on the setting of the Units value (see [POWER:POWER<x>:MAGPROPERTY:UNITS](#)). The command returns the same numeric value regardless of the units setting.

POWER:POWER<x>:MAGPROPERTY:EDGESOURCE

This command sets or queries the edge source type for the magnetic property measurement of the specified power measurement number.

Conditions Requires option PWR or PS2.

Group Power

Syntax POWER:POWER<x>:MAGPROPERTY:EDGESOURCE {Current | VOLTAGE}
POWER:POWER<x>:MAGPROPERTY:EDGESOURCE?

Arguments POWER<x> is the magnetic property power measurement number. This is the equivalent of the number shown on a power measurement badge in the UI.

Current sets the measurement to use the primary voltage source as the signal edge for the magnetic property measurement.

VOLTAGE sets the measurement to use the primary current source as the signal edge for the magnetic property measurement.

Examples POWER:POWER1:MAGPROPERTY:EDGESOURCE VOLTAGE sets the signal edge source for power measurement 1 to use the primary voltage source.

`Power:Power3:MAGPROPERTY:EDGESource?` might return `CURRENT`, indicating that the signal edge source for power measurement 3 is the primary current source.

POWer:POWer<x>:MAGPROPERTY:ISOURce

This command sets or queries the current source for the magnetic property measurement of the specified power measurement number.

Conditions Requires option PWR or PS2.

Group Power

Syntax `Power:Power<x>:MAGPROPERTY:ISOURce {CH<x>|MATH<x>|REF<x>}`
`Power:Power<x>:MAGPROPERTY:ISOURce?`

Related Commands [POWer:POWer<x>:MAGPROPERTY:VSOURce](#)

Arguments `Power<x>` is the magnetic property power measurement number. This is the equivalent of the number shown in the power measurement badge on the UI.

`CH<x>` sets the channel specifier; `<x>` is 1 through 8 and is limited by the number of FlexChannels in your instrument.

`MATH<x>` = A math waveform specifier; `<x>` is ≥ 1 .

`REF<x>` = A reference waveform specifier; `<x>` is ≥ 1 .

Examples `Power:Power1:MAGPROPERTY:ISOURce CH4` sets power measurement 1 to use channel 4 as the primary winding current source for the magnetic power measurement.

`Power:Power2:MAGPROPERTY:ISOURce?` might return `CH1`, indicating that channel 1 is the primary winding current source for the magnetic power measurement number 2.

POWer:POWer<x>:MAGPROPERTY:LENgth

This command sets or queries the conductor length of the primary winding for magnetic measurement of the specified power measurement number.

Conditions Requires option PWR or PS2.

Group	Power
Syntax	<pre>Power:Power<x>:MAGPROPERTY:LENgth <NR2> Power:Power<x>:MAGPROPERTY:LENgth?</pre>
Related Commands	POWER:Power<x>:MAGPROPERTY:UNITs
Arguments	<p>Power<x> is the magnetic property power measurement number. This is the equivalent of the number shown in the power measurement badge on the UI.</p> <p><NR2> is the magnetic length, in the range of 1.00E-09 through 1,000,000.</p>
Examples	<p>Power:Power2:MAGPROPERTY:LENgth 2.5 sets the primary winding length to 2.5 for power measurement 2.</p> <p>Power:Power5:MAGPROPERTY:LENgth? might return 10.54E-3, indicating that the primary winding length for power measurement 5 is 0.01054.</p>
<hr/> <p>NOTE. <i>The Magnetic Length unit depends on the setting of the Units value (see POWER:Power<x>:MAGPROPERTY:UNITs). The command returns the same numeric value regardless of the units setting.</i></p> <hr/>	

POWER:Power<x>:MAGPROPERTY:PRIMARYTURNS

This command sets or queries the number of primary turns for magnetic measurement of the specified power measurement number.

Conditions	Requires option PWR or PS2.
Group	Power
Syntax	<pre>Power:Power<x>:MAGPROPERTY:PRIMARYTURNS <NR1> Power:Power<x>:MAGPROPERTY:PRIMARYTURNS?</pre>
Related Commands	<p>POWER:Power<x>:MAGPROPERTY:LENgth</p> <p>POWER:Power<x>:MAGPROPERTY:AREAofcrosssection</p>
Arguments	<p>Power<x> is the magnetic property power measurement number. This is the equivalent of the number shown in the power measurement badge on the UI.</p>

<NR1> is the integer number of turns in the primary winding, in the range of 1 to 1 M.

Examples `Power:Power2:MAGPROPERTY:PRIMARYTURNS 150` sets the primary winding turn count to 150 for power measurement 2.

`Power:Power5:MAGPROPERTY:PRIMARYTURNS?` might return 50, indicating that the primary winding has 50 turns for power measurement 5.

POWER:POWER<x>:MAGPROPERTY:SEC1SOURCE

This command sets or queries the current source channel for secondary winding 1 for magnetic measurement of the specified power measurement number.

Conditions Requires option PWR or PS2.

Group Power

Syntax `Power:Power<x>:MAGPROPERTY:SEC1SOURCE {CH<x>|MATH<x>|REF<x>}`
`Power:Power<x>:MAGPROPERTY:SEC1SOURCE?`

Related Commands [POWER:POWER<x>:MAGPROPERTY:SEC2SOURCE](#)
[POWER:POWER<x>:MAGPROPERTY:SEC3SOURCE](#)
[POWER:POWER<x>:MAGPROPERTY:SEC4SOURCE](#)
[POWER:POWER<x>:MAGPROPERTY:SEC5SOURCE](#)
[POWER:POWER<x>:MAGPROPERTY:SEC6SOURCE](#)

Arguments `Power<x>` is the power measurement number. This is the equivalent of the number shown in the power measurement badge on the UI.

`CH<x>` sets the channel specifier; <x> is 1 through 8 and is limited by the number of FlexChannels in your instrument.

`MATH<x>` = A math waveform specifier; <x> is ≥ 1 .

`REF<x>` = A reference waveform specifier; <x> is ≥ 1 .

Examples `Power:Power3:MAGPROPERTY:SEC1SOURCE CH7` sets power measurement number 3 to use channel 7 as the current source for measuring secondary winding 1.

`Power:Power1:MAGPROPERTY:SEC1SOURCE?` might return CH3, indicating that channel 3 is the source for measuring secondary winding 1 of magnetic power measurement number 1.

Power:Power<x>:MAGPROPERTY:SEC1TURNS

This command sets or queries the number of turns of secondary winding 1 for magnetic measurement of the specified power measurement number.

Conditions Requires option PWR or PS2.

Group Power

Syntax `Power:Power<x>:MAGPROPERTY:SEC1TURNS <NR1>`
`Power:Power<x>:MAGPROPERTY:SEC1TURNS?`

Related Commands [Power:Power<x>:MAGPROPERTY:SEC2TURNS](#)
[Power:Power<x>:MAGPROPERTY:SEC3TURNS](#)
[Power:Power<x>:MAGPROPERTY:SEC4TURNS](#)
[Power:Power<x>:MAGPROPERTY:SEC5TURNS](#)
[Power:Power<x>:MAGPROPERTY:SEC6TURNS](#)

Arguments `Power<x>` is the power measurement number. This is the equivalent of the number shown in the power measurement badge on the UI.
`<NR1>` is the number of turns on the secondary winding, and ranges from 0 to 1,000,000.

Examples `Power:Power3:MAGPROPERTY:SEC1TURNS 500` sets the number of turns on secondary winding 1 to 500 for magnetic power measurement number 3.
`Power:Power3:MAGPROPERTY:SEC1TURNS?` might return 2500, indicating that there are 2,500 turns on secondary winding 4 for magnetic power measurement number 3.

Power:Power<x>:MAGPROPERTY:SEC2SOURCE

This command sets or queries the current source for secondary winding2 for magnetic measurement of the specified power measurement number.

Conditions	Requires option PWR or PS2.
Group	Power
Syntax	<code>POWER:POWER<x>:MAGPROPERTY:SEC2SOURCE {CH<x> MATH<x> REF<x>}</code> <code>POWER:POWER<x>:MAGPROPERTY:SEC2SOURCE?</code>
Related Commands	POWER:POWER<x>:MAGPROPERTY:SEC1SOURCE POWER:POWER<x>:MAGPROPERTY:SEC3SOURCE POWER:POWER<x>:MAGPROPERTY:SEC4SOURCE POWER:POWER<x>:MAGPROPERTY:SEC5SOURCE POWER:POWER<x>:MAGPROPERTY:SEC6SOURCE
Arguments	<p><code>POWER<x></code> is the power measurement number. This is the equivalent of the number shown in the power measurement badge on the UI.</p> <p><code>CH<x></code> sets the channel specifier; <code><x></code> is 1 through 8 and is limited by the number of FlexChannels in your instrument.</p> <p><code>MATH<x></code> = A math waveform specifier; <code><x></code> is ≥ 1.</p> <p><code>REF<x></code> = A reference waveform specifier; <code><x></code> is ≥ 1.</p>
Examples	<p><code>POWER:POWER1:MAGPROPERTY:SEC2SOURCE CH2</code> sets power measurement number 1 to use channel 2 as the current source for measuring secondary winding 2.</p> <p><code>POWER:POWER3:MAGPROPERTY:SEC2SOURCE?</code> might return <code>MATH2</code>, indicating that math waveform 2 is the source for measuring secondary winding 2 of magnetic power measurement number 3.</p>

POWER:POWER<x>:MAGPROPERTY:SEC2TURNS

This command sets or queries the number of turns of secondary winding 2 for magnetic measurement of the specified power measurement number.

Conditions Requires option PWR or PS2.

Group Power

Syntax `Power:Power<x>:MAGPROPERTY:SEC2TURNS <NR1>`
`Power:Power<x>:MAGPROPERTY:SEC2TURNS?`

Related Commands [Power:Power<x>:MAGPROPERTY:SEC1TURNS](#)
[Power:Power<x>:MAGPROPERTY:SEC3TURNS](#)
[Power:Power<x>:MAGPROPERTY:SEC4TURNS](#)
[Power:Power<x>:MAGPROPERTY:SEC5TURNS](#)
[Power:Power<x>:MAGPROPERTY:SEC6TURNS](#)

Arguments `Power<x>` is the power measurement number. This is the equivalent of the number shown in the power measurement badge on the UI.

`<NR1>` is the number of turns on the secondary winding, and ranges from 0 to 1,000,000.

Examples `Power:Power1:MAGPROPERTY:SEC2TURNS 50` sets the number of turns on secondary winding 2 to 50 for magnetic power measurement number 3.

`Power:Power7:MAGPROPERTY:SEC2TURNS?` might return 250, indicating that their are 250 turns on secondary winding 2for magnetic power measurement number 7.

Power:Power<x>:MAGPROPERTY:SEC3SOURCE

This command sets or queries the current source channel for secondary winding 3 for magnetic measurement of the specified power measurement number.

Conditions Requires option PWR or PS2.

Group Power

Syntax `Power:Power<x>:MAGPROPERTY:SEC3SOURCE {CH<x>|MATH<x>|REF<x>}`
`Power:Power<x>:MAGPROPERTY:SEC3SOURCE?`

Related Commands [Power:Power<x>:MAGPROPERTY:SEC1SOURCE](#)
[Power:Power<x>:MAGPROPERTY:SEC2SOURCE](#)
[Power:Power<x>:MAGPROPERTY:SEC4SOURCE](#)
[Power:Power<x>:MAGPROPERTY:SEC5SOURCE](#)

[POWer:POWer<x>:MAGPROPERTY:SEC6SOURce](#)

- Arguments** **POWer<x>** is the power measurement number. This is the equivalent of the number shown in the power measurement badge on the UI.
- CH<x>** sets the channel specifier; <x> is 1 through 8 and is limited by the number of FlexChannels in your instrument.
- MATH<x>** = A math waveform specifier; <x> is ≥ 1 .
- REF<x>** = A reference waveform specifier; <x> is ≥ 1 .
- Examples** **POWer:POWer1:MAGPROPERTY:SEC3SOURce CH1** sets power measurement number 1 to use channel 1 as the current source for measuring secondary winding 3.
- POWer:POWer1:MAGPROPERTY:SEC3SOURce?** might return CH1, indicating that channel 1 is the source for measuring secondary winding 3 of magnetic power measurement number 1.

POWer:POWer<x>:MAGPROPERTY:SEC3TURNs

This command sets or queries the number of turns of secondary winding 3 for magnetic measurement of the specified power measurement number.

- Conditions** Requires option PWR or PS2.
- Group** Power
- Syntax** **POWer:POWer<x>:MAGPROPERTY:SEC3TURNs <NR1>**
POWer:POWer<x>:MAGPROPERTY:SEC3TURNs?
- Related Commands** [POWer:POWer<x>:MAGPROPERTY:SEC1TURNs](#)
[POWer:POWer<x>:MAGPROPERTY:SEC2TURNs](#)
[POWer:POWer<x>:MAGPROPERTY:SEC4TURNs](#)
[POWer:POWer<x>:MAGPROPERTY:SEC5TURNs](#)
[POWer:POWer<x>:MAGPROPERTY:SEC6TURNs](#)

- Arguments** **POWer<x>** is the power measurement number. This is the equivalent of the number shown in the power measurement badge on the UI.

<NR1> is the number of turns on the secondary winding, and ranges from 0 to 1,000,000.

Examples `Power:Power1:MAGPROPERTY:SEC3TURNS 15` sets the number of turns on secondary winding 3 to 15 for magnetic power measurement number 1.

`Power:Power3:MAGPROPERTY:SEC3TURNS?` might return 2500, indicating that their are 2,500 turns on secondary winding 3 for magnetic power measurement number 3.

POWer:POWer<x>:MAGPROPERTY:SEC4SOURce

This command sets or queries the current source for secondary winding 4 for magnetic measurement of the specified power measurement number.

Conditions Requires option PWR or PS2.

Group Power

Syntax `Power:Power<x>:MAGPROPERTY:SEC4SOURce {CH<x>|MATH<x>|REF<x>}`
`Power:Power<x>:MAGPROPERTY:SEC4SOURce?`

Related Commands [POWer:POWer<x>:MAGPROPERTY:SEC1SOURce](#)
[POWer:POWer<x>:MAGPROPERTY:SEC2SOURce](#)
[POWer:POWer<x>:MAGPROPERTY:SEC3SOURce](#)
[POWer:POWer<x>:MAGPROPERTY:SEC5SOURce](#)
[POWer:POWer<x>:MAGPROPERTY:SEC6SOURce](#)

Arguments `Power<x>` is the power measurement number. This is the equivalent of the number shown in the power measurement badge on the UI.

`CH<x>` sets the channel specifier; <x> is 1 through 8 and is limited by the number of FlexChannels in your instrument.

`MATH<x>` = A math waveform specifier; <x> is ≥ 1 .

`REF<x>` = A reference waveform specifier; <x> is ≥ 1 .

Examples `Power:Power3:MAGPROPERTY:SEC4SOURce CH7` sets power measurement number 3 to use channel 7 as the current source for measuring secondary winding 4.

`Power:Power12:MAGPROPERTY:SEC4SOURCE?` might return CH1, indicating that Channel 1 is the source for measuring secondary winding 4 of magnetic power measurement number 12.

POWER:POWER<x>:MAGPROPERTY:SEC4TURNS

This command sets or queries the number of turns of secondary winding 4 for magnetic measurement of the specified power measurement number.

Conditions	Requires option PWR or PS2.
Group	Power
Syntax	<code>Power:Power<x>:MAGPROPERTY:SEC4TURNS <NR1></code> <code>Power:Power<x>:MAGPROPERTY:SEC4TURNS?</code>
Related Commands	POWER:POWER<x>:MAGPROPERTY:SEC1TURNS POWER:POWER<x>:MAGPROPERTY:SEC2TURNS POWER:POWER<x>:MAGPROPERTY:SEC3TURNS POWER:POWER<x>:MAGPROPERTY:SEC5TURNS POWER:POWER<x>:MAGPROPERTY:SEC6TURNS
Arguments	<p><code>Power<x></code> is the power measurement number. This is the equivalent of the number shown in the power measurement badge on the UI.</p> <p><code><NR1></code> is the number of turns on the secondary winding, and ranges from 0 to 1,000,000.</p>
Examples	<p><code>Power:Power4:MAGPROPERTY:SEC4TURNS 500</code> sets the number of turns on secondary winding 4 to 500 for magnetic power measurement number 4.</p> <p><code>Power:Power1:MAGPROPERTY:SEC4TURNS?</code> might return 90, indicating that there are 90 turns on secondary winding 4 for magnetic power measurement number 3.</p>

POWER:POWER<x>:MAGPROPERTY:SEC5SOURCE

This command sets or queries the current source for secondary winding 5 for magnetic measurement of the specified power measurement number.

Conditions Requires option PWR or PS2.

Group Power

Syntax `POWer:POWer<x>:MAGPROPERTY:SEC5SOURCE {CH<x>|MATH<x>|REF<x>}`
`POWer:POWer<x>:MAGPROPERTY:SEC5SOURCE?`

Related Commands [POWer:POWer<x>:MAGPROPERTY:SEC1SOURCE](#)
[POWer:POWer<x>:MAGPROPERTY:SEC2SOURCE](#)
[POWer:POWer<x>:MAGPROPERTY:SEC3SOURCE](#)
[POWer:POWer<x>:MAGPROPERTY:SEC4SOURCE](#)
[POWer:POWer<x>:MAGPROPERTY:SEC6SOURCE](#)

Arguments `POWer<x>` is the power measurement number. This is the equivalent of the number shown in the power measurement badge on the UI.

`CH<x>` sets the channel specifier; `<x>` is 1 through 8 and is limited by the number of FlexChannels in your instrument.

`MATH<x>` = A math waveform specifier; `<x>` is ≥ 1 .

`REF<x>` = A reference waveform specifier; `<x>` is ≥ 1 .

Examples `POWer:POWer3:MAGPROPERTY:SEC5SOURCE MATH1` sets power measurement number 3 to use math waveform 1 as the current source for measuring secondary winding 5.

`POWer:POWer4:MAGPROPERTY:SEC5SOURCE?` might return CH2, indicating that channel 2 is the source for measuring secondary winding 5 of magnetic power measurement number 4.

POWer:POWer<x>:MAGPROPERTY:SEC5TURNS

This command sets or queries the number of turns of secondary winding 5 for magnetic measurement of the specified power measurement badge.

Conditions Requires option PWR or PS2.

Group Power

Syntax	<code>Power:Power<x>:MAGPROPERTY:SEC5TURNS <NR1></code> <code>Power:Power<x>:MAGPROPERTY:SEC5TURNS?</code>
Related Commands	POWer:POWer<x>:MAGPROPERTY:SEC1TURNs POWer:POWer<x>:MAGPROPERTY:SEC2TURNs POWer:POWer<x>:MAGPROPERTY:SEC3TURNs POWer:POWer<x>:MAGPROPERTY:SEC4TURNs POWer:POWer<x>:MAGPROPERTY:SEC6TURNs
Arguments	<code>Power<x></code> is the power measurement number. This is the equivalent of the number shown in the power measurement badge on the UI. <NR1> is the number of turns on the secondary winding, and ranges from 0 to 1,000,000.
Examples	<code>Power:Power3:MAGPROPERTY:SEC5TURNS 250</code> sets the number of turns on secondary winding 5 to 250 for magnetic power measurement number 3. <code>Power:Power1:MAGPROPERTY:SEC5TURNS?</code> might return 150, indicating that their are 150 turns on secondary winding 5for magnetic power measurement number 1.

POWer:POWer<x>:MAGPROPERTY:SEC6SOURce

This command sets or queries the current source for secondary winding 6 for magnetic measurement of the specified power measurement number.

Conditions	Requires option PWR or PS2.
Group	Power
Syntax	<code>Power:Power<x>:MAGPROPERTY:SEC6SOURce {CH<x> MATH<x> REF<x>}</code> <code>Power:Power<x>:MAGPROPERTY:SEC6SOURce?</code>
Related Commands	POWer:POWer<x>:MAGPROPERTY:SEC1SOURce POWer:POWer<x>:MAGPROPERTY:SEC2SOURce POWer:POWer<x>:MAGPROPERTY:SEC3SOURce POWer:POWer<x>:MAGPROPERTY:SEC4SOURce

[POWER:POWER<x>:MAGPROPERTY:SEC5SOURCE](#)

- Arguments** POWER<x> is the power measurement number. This is the equivalent of the number shown in the power measurement badge on the UI.
- CH<x> sets the channel specifier; <x> is 1 through 8 and is limited by the number of FlexChannels in your instrument.
- MATH<x> = A math waveform specifier; <x> is ≥1.
- REF<x> = A reference waveform specifier; <x> is ≥1.
- Examples** POWER:POWER3:MAGPROPERTY:SEC6SOURCE CH4 sets power measurement number 3 to use channel 4 as the current source for measuring secondary winding 6.
- POWER:POWER2:MAGPROPERTY:SEC6SOURCE? might return CH4, indicating that channel 4 is the source for measuring secondary winding 3 of magnetic power measurement number 2.

POWER:POWER<x>:MAGPROPERTY:SEC6TURNS

This command sets or queries the number of turns of secondary winding 6 for magnetic measurement of the specified power measurement number.

- Conditions** Requires option PWR or PS2.
- Group** Power
- Syntax** POWER:POWER<x>:MAGPROPERTY:SEC6TURNS <NR1>
POWER:POWER<x>:MAGPROPERTY:SEC6TURNS?

- Related Commands** [POWER:POWER<x>:MAGPROPERTY:SEC1TURNS](#)
[POWER:POWER<x>:MAGPROPERTY:SEC2TURNS](#)
[POWER:POWER<x>:MAGPROPERTY:SEC3TURNS](#)
[POWER:POWER<x>:MAGPROPERTY:SEC4TURNS](#)
[POWER:POWER<x>:MAGPROPERTY:SEC5TURNS](#)

- Arguments** POWER<x> is the power measurement number. This is the equivalent of the number shown in the power measurement badge on the UI.

<NR1> is the number of turns on the secondary winding, and ranges from 0 to 1,000,000.

- Examples** `Power:Power8:MAGPROPERTY:SEC6TURNS 22` sets the number of turns on secondary winding 6 to 22 for magnetic power measurement number 8.
- `Power:Power9:MAGPROPERTY:SEC6TURNS?` might return 7000, indicating that there are 7,000 turns on secondary winding 6 for magnetic power measurement number 9.

POWER:POWER<x>:MAGPROPERTY:SECPhase

This command sets or returns the value for the phase difference between secondary and primary voltage.

- Group** Power
- Syntax** `Power:Power<x>:MAGPROPERTY:SECPhase <NR3>`
`Power:Power<x>:MAGPROPERTY:SECPhase?`
- Arguments** `Power<x>` is the power measurement number. This is the equivalent of the number shown in the UI for a power measurement badge.
- `<NR3>` sets the value for the phase difference between secondary and primary voltage, in the range of -180 to 180 degrees.
- Examples** `Power:Power1:MAGPROPERTY:SECPhase 180` sets the value for the phase difference between secondary and primary voltage to 180 degrees.
- `Power:Power1:MAGPROPERTY:SECPhase?` might return
 `:Power:Power1:MAGPROPERTY:SECPhase 180`, indicating that the value for the phase difference between secondary and primary voltage is 180 degrees.

POWER:POWER<x>:MAGPROPERTY:SECVolt

This command enables or disables secondary voltage input for measurement.

- Group** Power
- Syntax** `Power:Power<x>:MAGPROPERTY:SECVolt {True|False}`
`Power:Power<x>:MAGPROPERTY:SECVolt?`

Arguments `Power<x>` is the power measurement number. This is the equivalent of the number shown in the power measurement badge on the UI.

`True` enables secondary voltage source.

`False` disables secondary voltage source.

Examples `Power:Power1:MAGPROPERTY:SECVolt true` enables secondary voltage source.

`Power:Power1:MAGPROPERTY:SECVolt?` might return
`:Power:Power1:MAGPROPERTY:SECVolt true`, indicating that the secondary voltage source is enabled.

POWER:POWER<x>:MAGPROPERTY:SECWINDings

This command sets or queries the number of secondary windings for the magnetic property measurement of the specified power measurement number.

Conditions Requires option PWR or PS2.

Group Power

Syntax `Power:Power<x>:MAGPROPERTY:SECWINDings`
`{None | ONE | TWO | THREE | FOUR | FIVE | SIX}`
`Power:Power<x>:MAGPROPERTY:SECWINDings?`

Related Commands [POWER:POWER<x>:MAGPROPERTY:SEC1SOURCE](#)
[POWER:POWER<x>:MAGPROPERTY:SEC1TURNs](#)
[POWER:POWER<x>:MAGPROPERTY:SEC2SOURCE](#)
[POWER:POWER<x>:MAGPROPERTY:SEC2TURNs](#)
[POWER:POWER<x>:MAGPROPERTY:SEC3SOURCE](#)
[POWER:POWER<x>:MAGPROPERTY:SEC3TURNs](#)
[POWER:POWER<x>:MAGPROPERTY:SEC4SOURCE](#)
[POWER:POWER<x>:MAGPROPERTY:SEC4TURNs](#)
[POWER:POWER<x>:MAGPROPERTY:SEC5SOURCE](#)
[POWER:POWER<x>:MAGPROPERTY:SEC5TURNs](#)
[POWER:POWER<x>:MAGPROPERTY:SEC6SOURCE](#)

[POWER:POWER<x>:MAGPROPERTY:SEC6TURNS](#)

- Arguments** POWER<x> is the magnetic property power measurement number. This is the equivalent of the number shown in the power measurement badge on the UI.
- None, ONE, TWO, THREE, FOUR, FIVE, SIX sets the number of secondary windings to the specified value.
- Examples** POWER:POWER2:MAGPROPERTY:SECWINDINGS 4 sets power measurement 2 to use 4 secondary transformer windings.
- POWER:POWER11:MAGPROPERTY:SECWINDINGS? might return FOUR, indicating that there are four secondary transformer windings for power measurement 11.

POWER:POWER<x>:MAGPROPERTY:UNITS

This command sets or queries the units for magnetic measurements of the specified power measurement number.

- Conditions** Requires option PWR or PS2.
- Group** Power
- Syntax** POWER:POWER<x>:MAGPROPERTY:UNITS {SI|CGS}
POWER:POWER<x>:MAGPROPERTY:UNITS?
- Related Commands** [POWER:POWER<x>:MAGPROPERTY:AREAofcrosssection](#)
[POWER:POWER<x>:MAGPROPERTY:LENGth](#)
- Arguments** POWER<x> is the power measurement number. This is the equivalent of the number shown in the power measurement badge on the UI.
- SI sets the measurement to International System of Units.
- CGS sets the measurement to Gaussian units.
- Examples** POWER:POWER5:MAGPROPERTY:UNITS SI sets magnetic property measurement 5 to use SI units.
- POWER:POWER1:MAGPROPERTY:UNITS? might return CGS, indicating that the measurement unit for power measurement 1 is set to CGS.

POWer:POWer<x>:MAGPROPERTY:VSOURce

This command sets or queries the primary winding voltage source for the magnetic measurement of the specified power measurement number.

Conditions Requires option PWR or PS2.

Group Power

Syntax `POWer:POWer<x>:MAGPROPERTY:VSOURce {CH<x>|MATH<x>|REF<x>}`
`POWer:POWer<x>:MAGPROPERTY:VSOURce?`

Related Commands [POWer:POWer<x>:MAGPROPERTY:ISOURce](#)

Arguments `POWer<x>` is the power measurement number. This is the equivalent of the number shown in the power measurement badge on the UI.

`CH<x>` sets the channel specifier; `<x>` is 1 through 8 and is limited by the number of FlexChannels in your instrument.

`MATH<x>` = A math waveform specifier; `<x>` is ≥ 1 .

`REF<x>` = A reference waveform specifier; `<x>` is ≥ 1 .

Examples `POWer:POWer1:MAGPROPERTY:VSOURce CH4` sets power measurement 1 to use channel 4 as the primary winding voltage source for the magnetic power measurement.

`POWer:POWer2:MAGPROPERTY:VSOURce?` might return `CH1`, indicating that channel 1 is the primary winding voltage source for the magnetic power measurement number 2.

POWer:POWer<x>:NDUTYCYCLE:EDGEType

This command sets or queries the clock edge type for negative duty cycle measurement in the specified power measurement number. The power measurement number is specified by `x`.

Conditions Requires option PWR or PS2.

Group Power

Syntax `Power:Power<x>:NDUTYCYCLE:EDGEType {RISE | FALL | BOTH}`
`Power:Power<x>:NDUTYCYCLE:EDGEType?`

Examples `Power:Power1:NDUTYCYCLE:EDGEType RISE` sets the clock edge type as rise for the negative duty cycle measurement.

POWER:POWER<x>:NDUTYCYCLE:INPUTSource

This command sets or queries the input source for negative duty cycle measurement in the specified power measurement number.

Conditions Requires option PWR or PS2.

Group Power

Syntax `Power:Power<x>:NDUTYCYCLE:INPUTSource {CH<x>|MATH<x>|REF<x>}`
`Power:Power<x>:NDUTYCYCLE:INPUTSource?`

Arguments `Power<x>` is the power measurement number. This is the equivalent of the number shown on a power measurement badge in the UI.

`CH<x>` = A channel specifier; `<x>` is 1 through 8 and is limited by the number of FlexChannels in your instrument.

`MATH<x>` = A math waveform specifier; `<x>` is ≥ 1 .

`REF<x>` = A reference waveform specifier; `<x>` is ≥ 1 .

Examples `Power:Power1:NDUTYCYCLE:INPUTSource CH3` sets the input source for negative duty cycle measurement as CH3 for the power measurement badge Power 1.

POWER:POWER<x>:NPULSEWIDTH:INPUTSource

This command sets or queries the input source for negative pulse width measurement in the specified power measurement number.

Conditions Requires option PWR or PS2.

Group Power

Syntax	<code>Power:Power<x>:NPULSEWIDTH:INPUTSource {CH<x> MATH<x> REF<x>}</code> <code>Power:Power<x>:NPULSEWIDTH:INPUTSource?</code>
Arguments	<code>Power<x></code> is the power measurement number. This is the equivalent of the number shown on a power measurement badge in the UI. <code>CH<x></code> = A channel specifier; <code><x></code> is 1 through 8 and is limited by the number of FlexChannels in your instrument. <code>MATH<x></code> = A math waveform specifier; <code><x></code> is ≥ 1 . <code>REF<x></code> = A reference waveform specifier; <code><x></code> is ≥ 1 .
Examples	<code>Power:Power1:NPULSEWIDTH:INPUTSource CH1</code> sets the input source for negative pulse width measurement as channel 1.

POWER:POWER<x>:PDUTYCYCLE:EDGEType

This command sets or queries the clock edge type for positive duty cycle measurement in the specified power measurement number. The power measurement number is specified by `x`.

Conditions	Requires option PWR or PS2.
Group	Power
Syntax	<code>Power:Power<x>:PDUTYCYCLE:EDGEType {CH<x> MATH<x> REF<x>}</code> <code>Power:Power<x>:PDUTYCYCLE:EDGEType?</code>
Arguments	<code>CH<x></code> specifies an analog channel to use source. <code>MATH<x></code> specifies a math waveform to use as the source. <code>REF<x></code> specifies a reference waveform to use as the source.
Examples	<code>Power:Power1:PDUTYCYCLE:EDGEType BOTH</code> sets the clock edge type as both (rise and fall) for the positive duty cycle measurement.

POWER:POWER<x>:PDUTYCYCLE:INPUTSource

This command sets or queries the input source for positive duty cycle measurement in the specified power measurement number.

Conditions	Requires option PWR or PS2.
Group	Power
Syntax	<code>POWER:POWER<x>:PDUTYCYCLE:INPUTSource {CH<x> MATH<x> REF<x>}</code> <code>POWER:POWER<x>:PDUTYCYCLE:INPUTSource?</code>
Arguments	<p><code>POWER<x></code> is the power measurement number. This is the equivalent of the number shown on a power measurement badge in the UI.</p> <p><code>CH<x></code> = A channel specifier; <code><x></code> is 1 through 8 and is limited by the number of FlexChannels in your instrument.</p> <p><code>MATH<x></code> = A math waveform specifier; <code><x></code> is ≥ 1.</p> <p><code>REF<x></code> = A reference waveform specifier; <code><x></code> is ≥ 1.</p>
Examples	<code>POWER:POWER1:PDUTYCYCLE:INPUTSource CH4</code> sets the input source for positive duty cycle measurement as channel 4.

POWER:POWER<x>:PERIOD:EDGE

This command sets or queries the edge type for period measurement in the specified power measurement number. The power measurement number is specified by x.

Conditions	Requires option PWR or PS2.
Group	Power
Syntax	<code>POWER:POWER<x>:PERIOD:EDGE {RISE FALL}</code> <code>POWER:POWER<x>:PERIOD:EDGE?</code>
Examples	<code>POWER:POWER1:PERIOD:EDGE RISE</code> sets the edge type as rise for the period measurement.

POWER:POWER<x>:PERIOD:INPUTSource

This command sets or queries the input source for period measurement in the specified power measurement number.

Conditions	Requires option PWR or PS2.
Group	Power
Syntax	POWER:POWer<x>:PERIOD:INPUTSource {CH<x> MATH<x> REF<x>} POWER:POWer<x>:PERIOD:INPUTSource?
Arguments	<p>POWer<x> is the power measurement number. This is the equivalent of the number shown in the UI for a power measurement badge.</p> <p>CH<x> = A channel specifier; <x> is 1 through 8 and is limited by the number of FlexChannels in your instrument.</p> <p>MATH<x> = A math waveform specifier; <x> is ≥ 1.</p> <p>REF<x> = A reference waveform specifier; <x> is ≥ 1.</p>
Examples	POWER:POWer1:PERIOD:INPUTSource CH6 sets the input source for period measurement as channel 6.

POWER:POWer<x>:POWERQUALITY:CCYCLes

This command sets or queries the calculate cycles over full cycles settings for the specified power quality measurement number.

Conditions	Requires option PWR or PS2.
Group	Power
Syntax	POWER:POWer<x>:POWERQUALITY:CCYCLes {ON OFF 1 0} POWER:POWer<x>:POWERQUALITY:CCYCLes?
Arguments	<p>POWer<x> is the power measurement number. This is the equivalent of the number shown in the UI for a power measurement badge.</p> <p>1 selects the calculate cycles over full cycles.</p> <p>ON selects the calculate cycles over full cycles.</p> <p>0 deselects the calculate cycles over full cycles.</p> <p>OFF deselects the calculate cycles over full cycles.</p>

Examples `Power:Power1:POWERQUALITY:CCYCles 1` selects the calculate cycles over full cycles for the power measurement badge 1.

POWer:POWer<x>:POWERQUALITY:FREFerence

This command sets or queries the frequency reference type for power quality measurement in the specified power measurement number. The power measurement number is specified by x.

Conditions Requires option PWR or PS2.

Group Power

Syntax `Power:Power<x>:POWERQUALITY:FREFerence {VOLTage | CURRENT}`
`Power:Power<x>:POWERQUALITY:FREFerence?`

Examples `Power:Power1:POWERQUALITY:FREFerence CURRENT` sets the frequency reference type for power quality measurement as current.

POWer:POWer<x>:POWERQUALITY:ISOURce

This command sets or queries the current source for power quality measurement in the specified power measurement number.

Conditions Requires option PWR or PS2.

Group Power

Syntax `Power:Power<x>:POWERQUALITY:ISOURce {CH<x> | MATH<x> | REF<x>}`
`Power:Power<x>:POWERQUALITY:ISOURce?`

Arguments `Power<x>` is the power measurement number. This is the equivalent of the number shown in the UI for a power measurement badge.

`CH<x>` = A channel specifier; <x> is 1 through 8 and is limited by the number of FlexChannels in your instrument.

`MATH<x>` = A math waveform specifier; <x> is ≥ 1 .

`REF<x>` = A reference waveform specifier; <x> is ≥ 1 .

Examples `Power:Power1:POWERQUALITY:VSOURCE CH2` sets the current source for power quality measurement as channel 2.

POWer:POWer<x>:POWERQUALITY:STYPe

This command sets or queries the source type.

Group Power

Syntax `Power:Power<x>:POWERQUALITY:STYPe {AC|DC}`
`Power:Power<x>:POWERQUALITY:STYPe?`

Arguments `Power<x>` is the power measurement number. This is the equivalent of the number shown in the UI for a power measurement badge.

AC sets the signal type as AC.

DC sets the signal type as DC.

Examples `Power:Power1:POWERQUALITY:STYPe AC` sets the signal type as AC for power measurement 1.

`Power:Power1:POWERQUALITY:STYPe?` might return
`:Power:Power1:POWERQUALITY:STYPe AC`, indicating that the signal type is AC.

POWer:POWer<x>:POWERQUALITY:VSOURce

This command sets or queries the voltage source for power quality measurement in the specified power measurement number.

Conditions Requires option PWR or PS2.

Group Power

Syntax `Power:Power<x>:POWERQUALITY:VSOURCE {CH<x>|MATH<x>|REF<x>}`
`Power:Power<x>:POWERQUALITY:VSOURCE?`

Arguments `Power<x>` is the power measurement number. This is the equivalent of the number shown in the UI for a power measurement badge.

CH<x> = A channel specifier; <x> is 1 through 8 and is limited by the number of FlexChannels in your instrument.

MATH<x> = A math waveform specifier; <x> is ≥ 1 .

REF<x> = A reference waveform specifier; <x> is ≥ 1 .

Examples `POWER:POWER1:POWERQUALITY:VSOURCE CH1` sets the voltage source for power quality measurement as channel 1.

POWER:POWER<x>:PPULSEWIDTH:INPUTSOURCE

This command sets or queries the input source for positive pulse width measurement in the specified power measurement number.

Conditions Requires option PWR or PS2.

Group Power

Syntax `POWER:POWER<x>:PPULSEWIDTH:INPUTSOURCE`
 `{CH<x>|MATH<x>|REF<x>}`
 `POWER:POWER<x>:PPULSEWIDTH:INPUTSOURCE?`

Arguments `POWER<x>` is the power measurement number. This is the equivalent of the number shown in the UI for a power measurement badge.

CH<x> = A channel specifier; <x> is 1 through 8 and is limited by the number of FlexChannels in your instrument.

MATH<x> = A math waveform specifier; <x> is ≥ 1 .

REF<x> = A reference waveform specifier; <x> is ≥ 1 .

Examples `POWER:POWER1:PPULSEWIDTH:INPUTSOURCE CH5` sets channel 5 as the input source for the positive pulse width measurement 1.

POWER:POWER<x>:PRESET (No Query Form)

This command runs a power preset action for the specified power measurement number.

Conditions Requires option 5-PWR, 6-PWR, or PS2.

Group	Power
Syntax	<code>Power:Power<x>:PRESET {EXECute}</code>
Arguments	<p><code>Power<x></code> is the power measurement number. This is the equivalent of the number shown in the UI for a power measurement badge.</p> <p><code>EXECute</code> runs the power preset action.</p>
Examples	<code>Power:Power5:PRESET Execute</code> runs the power preset action for power measurement 5.

POWer:POWer<x>:PSRR:AMP<x>Val

This command sets or queries the generator amplitude value of the specified configuration step for the Power Supply Rejection Ratio (PSRR) power measurement.

Conditions	Requires option 5-PWR or 6-PWR
Group	Power
Syntax	<code>Power:Power<x>:PSRR:AMP<x>Val <NR3></code> <code>Power:Power<x>:PSRR:AMP<x>Val?</code>
Arguments	<p><code>Power<x></code> sets the power measurement number. This is the equivalent of the number shown in the UI for a power measurement badge.</p> <p><code>AMP<x></code> sets the configuration step number, in the range of 1 to 10. Values outside this range will report an error.</p> <p><code><NR3></code> sets the generator amplitude for the specified configuration step, in the range of -100 V to 100 V.</p>
Examples	<p><code>Power:Power1:PSRR:AMP3Val 20</code> sets the generator output amplitude for configuration step 3 to 20 volts, for power measurement 1.</p> <p><code>Power:Power2:PSRR:AMP8Val?</code> might return 60, indicating that the generator output amplitude setting of configuration step 8 is 60 volts, for power measurement 2.</p>

POWer:POWer<x>:PSRR:AMPMode

This command sets or queries the amplitude mode for the Power Supply Rejection Ratio (PSRR) power measurement.

Conditions	Requires option 5-PWR or 6-PWR
Group	Power
Syntax	<code>POWer:POWer<x>:PSRR:AMPMode {CONSTant PROFile}</code> <code>POWer:POWer<x>:PSRR:AMPMode?</code>
Arguments	<p><code>POWer<x></code> is the power measurement number. This is the equivalent of the number shown in the UI for a power measurement badge.</p> <p><code>CONSTant</code> sets the amplitude mode to output a constant amplitude signal from the DUT stimulus generator for all frequency bands.</p> <p><code>PROFile</code> enables configuring the generator to set amplitude values for each frequency band.</p>
Examples	<p><code>POWer:POWer1:PSRR:AMPMode Constant</code> sets the amplitude mode to Constant for power measurement 1.</p> <p><code>POWer:POWer2:PSRR:AMPMode?</code> might return <code>PROFile</code>, indicating that the amplitude mode power measurement 2 is set to Profile.</p>

POWer:POWer<x>:PSRR:ANALYSISMethod

This command sets or queries the Analysis Method for PSRR measurements.

Group	Power
Syntax	<code>POWer:POWer<x>:PSRR:ANALYSISMethod {SV FFT}</code> <code>POWer:POWer<x>:PSRR:ANALYSISMethod?</code>
Arguments	<p><code>POWer<x></code> is the power measurement number. This is the equivalent of the number shown in the UI for a power measurement badge.</p> <p><code>SV</code> sets the Analysis Method as Spectrum View.</p> <p><code>FFT</code> sets the Analysis Method as FFT.</p>

Examples `Power:Power1:PSRR:ANALYSISMethod SV` sets the Analysis Method as Spectrum View for power measurement 1.

`Power:Power1:PSRR:ANALYSISMethod?` might return `:Power:Power1:PSRR:ANALYSISMethod SV`, indicating that the Analysis Method is Spectrum View.

POWER:POWER<x>:PSRR:AUTORbw

This command enables Auto RBW computation.

Group Power

Syntax `Power:POWER<x>:PSRR:AUTORbw {True|False}`
`Power:POWER<x>:PSRR:AUTORbw?`

Arguments `Power<x>` is the power measurement number. This is the equivalent of the number shown in the UI for a power measurement badge.

`True` enables Auto RBW computation.

`False` disables Auto RBW computation.

Examples `Power:Power1:PSRR:AUTORbw true` enables Auto RBW computation.

`Power:Power1:PSRR:AUTORbw?` might return `:Power:Power1:PSRR:AUTORbw true`, indicating that Auto RBW computation is enabled.

POWER:POWER<x>:PSRR:CONNECTSTATus? (Query Only)

Queries the external instrument's connection status for the specified Power Supply Rejection Ratio (PSRR) measurement.

Conditions Requires option 5-PWR (5 Series MSO instruments) or 6-PWR (6 Series MSO instrument)

Group Power

Syntax `Power:POWER<x>:PSRR:CONNECTSTATus?`

Arguments	<code>POWER<x></code> is the number of the PSRR power measurement.
Returns	<code>SUCCESS</code> indicates the instrument recognizes the connection to the external generator. <code>FAILURE</code> indicates the instrument could not make the connection to the external generator. <code>UNSUPPORTED</code> indicates that the connected generator is not recognized.
Examples	<code>POWER:POWER<x>:PSRR:CONNECTSTATUS?</code> might return <code>FAILURE</code> , indicating that the instrument could not connect to the external generator at the specified IP address.

POWER:POWER<x>:PSRR:CONSTAMPLITUDE

This command sets or queries the constant amplitude voltage for the Power Supply Rejection Ratio (PSRR) power measurement.

Conditions	Requires option 5-PWR or 6-PWR
Group	Power
Syntax	<code>POWER:POWER<x>:PSRR:CONSTAMPLITUDE <NR3></code> <code>POWER:POWER<x>:PSRR:CONSTAMPLITUDE?</code>
Arguments	<code>POWER<x></code> is the power measurement number. This is the equivalent of the number shown in the UI for a power measurement badge. <code><NR3></code> is the constant amplitude voltage value for the measurement, in the range of -100 V to 100 V .
Examples	<code>POWER:POWER3:PSRR:CONSTAMPLITUDE 120</code> sets the constant amplitude voltage for Power measurement 3 to be 120 volts. <code>POWER:POWER5:PSRR:CONSTAMPLITUDE?</code> might return <code>-15</code> , indicating that the constant amplitude voltage for power measurement 5 is -15 volts .

POWER:POWER<x>:PSRR:FREQ<x>Val

This command sets or queries the generator frequency value of the specified configuration step for the Power Supply Rejection Ratio (PSRR) power measurement.

Conditions Requires option 5-PWR or 6-PWR

Group Power

Syntax `POWER:POWER<x>:PSRR:FREQ<x>Val <NR3>`
`POWER:POWER<x>:PSRR:FREQ<x>Val?`

Arguments `POWER<x>` sets the power measurement number. This is the equivalent of the number shown in the UI for a power measurement badge.

`FREQ<x>` sets the configuration step number, in the range of 1 to 11. Values outside this range will report an error.

`<NR3>` sets the frequency of the specified configuration step number, in the range of 10 Hz to 50 MHz.

Examples `POWER:POWER5:PSRR:FREQ1Val 200` sets the generator frequency value for frequency band 1 to 200 Hz, for power measurement 5.

`POWER:POWER2:PSRR:FREQ3Val?` might return `2.000E+6`, indicating that the generator frequency output for frequency band 3 is 2.0 MHz, for power measurement 2.

POWER:POWER<x>:PSRR:GENerator

This command sets or queries the generator source used to send stimulus signals to the DUT, for the Power Supply Rejection Ratio (PSRR) power measurement.

Conditions Requires option 5-PWR or 6-PWR

Group Power

Syntax `POWER:POWER<x>:PSRR:GENerator {INTernaL}`
`POWER:POWER<x>:PSRR:GENerator?`

Arguments	<p><code>POWER<x></code> is the power measurement number. This is the equivalent of the number shown in the UI for a power measurement badge.</p> <p><code>INTERNAL</code> sets the generator to the instrument AFG signal source. This is the only valid argument.</p>
Examples	<p><code>Power:POWER3:PSRR:GENERATOR INTERNAL</code> sets the generator to the instrument AFG for power measurement 3.</p> <p><code>Power:POWER2:PSRR:GENERATOR?</code> might return <code>INTERNAL</code>, indicating that the generator source for power measurement 2 is the instrument AFG.</p>

POWER:POWER<x>:PSRR:GENERATOR

Sets or queries the generator source for the Power Supply Rejection Ratio (PSRR) power measurement.

Conditions	Requires option 5-PWR (5 Series MSO instruments) or 6-PWR (6 Series MSO instrument)
Group	Power
Syntax	<code>Power:POWER<x>:PSRR:GENERATOR {INTERNAL EXTERNAL}</code> <code>Power:POWER<x>:PSRR:GENERATOR?</code>
Arguments	<p><code>POWER<x></code> is the number of the PSRR power measurement.</p> <p><code>INTERNAL</code> sets the internal generator as the source for the Power Supply Rejection Ratio (PSRR) power measurement.</p> <p><code>EXTERNAL</code> sets the external generator as the source for the Power Supply Rejection Ratio (PSRR) power measurement.</p>
Examples	<p><code>Power:POWER1:PSRR:GENERATOR INTERNAL</code> sets the internal generator as the source for the Power Supply Rejection Ratio (PSRR) measurement.</p> <p><code>Power:POWER7:PSRR:GENERATOR?</code> might return <code>EXTERNAL</code>, indicating that the Power Supply Rejection Ratio (PSRR) measurement 7 is set to use an external generator.</p>

POWer:POWer<x>:PSRR:GENIPADdress

Sets or queries the instrument's IP Address associated with the specified Power Supply Rejection Ratio (PSRR) measurement.

Conditions Requires option 5-PWR (5 Series MSO instruments) or 6-PWR (6 Series MSO instrument)

Group Power

Syntax POWer:POWer<x>:PSRR:GENIPADdress <QString>
POWer:POWer<x>:PSRR:GENIPADdress?

Arguments POWer<x> is the number of the PSRR power measurement.
<QString> is the IP address of the generator.

Examples POWer:POWer4:PSRR:GENIPADdress 127.1.1.1 sets the IP address of the external generator to 127.1.1.1 for Power Supply Rejection Ratio (PSRR) power measurement 4.

POWer:POWer2:PSRR:GENIPADdress? might return "", indicating that there is no address set for the external generator associated with Power Supply Rejection Ratio (PSRR) power measurement 2.

POWer:POWer<x>:PSRR:IMPEDance

This command sets or queries the vertical termination impedance for the Power Supply Rejection Ratio (PSRR) power measurement.

Conditions Requires option 5-PWR or 6-PWR

Group Power

Syntax POWer:POWer<x>:PSRR:IMPEDance {FIFTy|HIGHZ}
POWer:POWer<x>:PSRR:IMPEDance?

Arguments POWer<x> is the power measurement number. This is the equivalent of the number shown in the UI for a power measurement badge.

FIFTy sets the impedance to be 50 Ω.

HIGHZ sets the impedance to be 1 M Ω .

- Examples** `POWER:POWER3:PSRR:IMPEDANCE FIFTY` sets the vertical termination impedance for power measurement 3 to be 50 Ω .
- `POWER:POWER2:PSRR:IMPEDANCE?` might return HIGHZ, indicating that the vertical termination impedance for power measurement 2 is 1 M Ω .

POWER:POWER<x>:PSRR:INPUTSource

This command sets or queries the input source for the Power Supply Rejection Ratio (PSRR) power measurement.

- Conditions** Requires option 5-PWR or 6-PWR
- Group** Power
- Syntax** `POWER:POWER<x>:PSRR:INPUTSource CH<x>`
`POWER:POWER<x>:PSRR:INPUTSource?`
- Arguments** `POWER<x>` is the power measurement number. This is the equivalent of the number shown in the UI for a power measurement badge.
- `CH<x>` sets the channel to use for the input source.
- Examples** `POWER:POWER2:PSRR:INPUTSource CH3` sets the input for power measurement 2 to be the channel 3 waveform.
- `POWER:POWER2:PSRR:INPUTSource?` might return CH1, indicating that the input source for power measurement 1 is channel 1.

POWER:POWER<x>:PSRR:OUTPUTSource

This command sets or queries the output source for the Power Supply Rejection Ratio (PSRR) power measurement.

- Conditions** Requires option 5-PWR or 6-PWR
- Group** Power

Syntax	<code>POWER:POWER<x>:PSRR:OUTPUTSource CH<x></code> <code>POWER:POWER<x>:PSRR:OUTPUTSource?</code>
Arguments	<code>POWER<x></code> is the power measurement number. This is the equivalent of the number shown in the UI for a power measurement badge. <code>CH<x></code> sets the channel to use for the output source.
Examples	<code>POWER:POWER1:PSRR:OUTPUTSource CH3</code> sets the output source for power measurement 1 to be the channel 3 waveform. <code>POWER:POWER3:PSRR:OUTPUTSource?</code> might return <code>CH6</code> , indicating that the output source for power measurement 3 is channel 6.

POWER:POWER<x>:PSRR:PPD

This command sets or queries the points per decade (PPD) value for the Power Supply Rejection Ratio (PSRR) power measurement.

Conditions	Requires option 5-PWR or 6-PWR
Group	Power
Syntax	<code>POWER:POWER<x>:PSRR:PPD <NR3></code> <code>POWER:POWER<x>:PSRR:PPD?</code>
Arguments	<code>POWER<x></code> is the power measurement number. This is the equivalent of the number shown in the UI for a power measurement badge. <NR3> is the PPD value for the measurement, in the range of 10 to 100 points.
Examples	<code>POWER:POWER3:PSRR:PPD 30</code> sets the PPD for Power measurement 3 to be 30 points. <code>POWER:POWER5:PSRR:PPD?</code> might return 20, indicating that the PPD value for power measurement 5 is 20 points.

POWER:POWER<x>:PSRR:STARTFREQUENCY

This command sets or queries the start frequency value for the Power Supply Rejection Ratio (PSRR) power measurement.

Conditions	Requires option 5-PWR or 6-PWR
Group	Power
Syntax	<code>POWER:POWER<x>:PSRR:STARTFREQUENCY <NR3></code> <code>POWER:POWER<x>:PSRR:STARTFREQUENCY?</code>
Arguments	<p><code>POWER<x></code> is the power measurement number. This is the equivalent of the number shown in the UI for a power measurement badge.</p> <p><code><NR3></code> is the starting frequency for the measurement, in the range of 10 Hz to 50 MHz.</p>
Examples	<p><code>POWER:POWER8:PSRR:STARTFREQUENCY 12</code> sets the starting frequency for power measurement 8 to be 12 Hz.</p> <p><code>POWER:POWER3:PSRR:STARTFREQUENCY?</code> might return 2400, indicating that the starting frequency for power measurement 3 is 2400 Hz.</p>

POWER:POWER<x>:PSRR:STOPFREQUENCY

This command sets or queries the stop frequency value for the Power Supply Rejection Ratio (PSRR) power measurement.

Conditions	Requires option 5-PWR or 6-PWR
Group	Power
Syntax	<code>POWER:POWER<x>:PSRR:STOPFREQUENCY <NR3></code> <code>POWER:POWER<x>:PSRR:STOPFREQUENCY?</code>
Arguments	<p><code>POWER<x></code> is the power measurement number. This is the equivalent of the number shown in the UI for a power measurement badge.</p> <p><code><NR3></code> is the stop frequency for the measurement, in the range of 10 Hz to 50 MHz.</p>
Examples	<p><code>POWER:POWER3:PSRR:STOPFREQUENCY 120</code> sets the stop frequency for Power measurement 8 to be 120 Hz.</p> <p><code>POWER:POWER5:PSRR:STOPFREQUENCY?</code> might return 2000, indicating that the stop frequency for power measurement 5 is 2000 Hz.</p>

POWer:POWer<x>:PSRR:TESTCONNection (No Query Form)

This command tests the connection with the external instrument for the specified Power Supply Rejection Ratio (PSRR) measurement.

Conditions	Requires option 5-PWR (5 Series MSO instruments) or 6-PWR (6 Series MSO instrument)
Group	Power
Syntax	<code>POWer:POWer<x>:PSRR:TESTCONNection {EXECute}</code>
Related Commands	POWer:POWer<x>:PSRR:CONNECTSTATus? POWer:POWer<x>:PSRR:GENIPADDress
Arguments	<code>POWer<x></code> is the number of the PSRR power measurement. <code>EXECute</code> runs the test connection function.
Examples	<code>POWer:POWer3:PSRR:TESTCONNection EXECute</code> runs the test connection function for the Power Supply Rejection Ratio (PSRR) power measurement 3.

POWer:POWer<x>:RDSON:DEVICEType

This command sets or queries the device type for the power drain source on resistance measurement for RDSon measurement of the specified power measurement number.

Conditions	Requires option PWR or PS2.
Group	Power
Syntax	<code>POWer:POWer<x>:RDSON:DEVICEType {SWITCHING PNJUNCTION}</code> <code>POWer:POWer<x>:RDSON:DEVICEType?</code>
Arguments	<code>POWer<x></code> is the power measurement number. This is the equivalent of the number shown in the power measurement badge on the UI. <code>SWITCHING</code> sets the Device Type to a switching device (v/i).

PNJUNCTION sets the Device Type to a PN Junction device (dv/di).

- Examples** `Power:Power3:RDSOn:DEVICEType PNJUNCTION` sets the RDSon power measurement number 3 to measure a PN junction device.
- `Power:Power1:RDSOn:DEVICEType?` might return `SWITCHING`, indicating that RDSon power measurement number 1 is set to measure a switching device.

POWER:POWER<x>:RDSOn:ISOURce

This command sets or queries the current source for RDSon measurement of the specified power measurement number.

- Conditions** Requires option PWR or PS2.
- Group** Power
- Syntax** `Power:Power<x>:RDSOn:ISOURce {CH<x>|MATH<x>|REF<x>}`
`Power:Power<x>:RDSOn:ISOURce?`
- Related Commands** [POWER:POWER<x>:RDSOn:VSOURce](#)
- Arguments** `Power<x>` is the power measurement number. This is the equivalent of the number shown in the power measurement badge on the UI.
- `CH<x>` sets the channel specifier; `<x>` is 1 through 8 and is limited by the number of FlexChannels in your instrument.
- `MATH<x>` = A math waveform specifier; `<x>` is ≥ 1 .
- `REF<x>` = A reference waveform specifier; `<x>` is ≥ 1 .
- Examples** `Power:Power1:RDSOn:ISOURce REF2` sets RDSon power measurement number 1 to use Reference waveform 2 as the current signal source.
- `Power:Power1:RDSOn:ISOURce?` might return `CH1`, indicating that channel 1 is the current signal source for the RDSon power measurement number 1.

POWER:POWER<x>:RDSOn:VSOURce

This command sets or queries the voltage source for RDSon measurement of the specified power measurement number.

Conditions	Requires option PWR or PS2.
Group	Power
Syntax	<pre>POWER:POWER<x>:RDSOn:VSOURce {CH<x> MATH<x> REF<x>} POWER:POWER<x>:RDSOn:VSOURce?</pre>
Related Commands	POWER:POWER<x>:RDSOn:ISOURce
Arguments	<p>POWER<x> is the power measurement number. This is the equivalent of the number shown in the power measurement badge on the UI.</p> <p>CH<x> sets the channel specifier; <x> is 1 through 8 and is limited by the number of FlexChannels in your instrument.</p> <p>MATH<x> = A math waveform specifier; <x> is ≥ 1.</p> <p>REF<x> = A reference waveform specifier; <x> is ≥ 1.</p>
Examples	<pre>POWER:POWER2:RDSOn:VSOURce CH7</pre> <p>sets RDSOn power measurement number 2 to use channel 7 as the voltage source.</p> <pre>POWER:POWER1:RDSOn:VSOURce?</pre> <p>might return CH7, indicating that channel 1 is the voltage signal source for RDSOn power measurement number 1.</p>

POWER:POWER<x>:REFLevels:ABSolute:FALLHigh

This command sets or queries the falling edge for high reference level in absolute units for the specified power measurement number.

Conditions	Requires option PWR or PS2.
Group	Power
Syntax	<pre>POWER:POWER<x>:REFLevels:ABSolute:FALLHigh <NR1> POWER:POWER<x>:REFLevels:ABSolute:FALLHigh?</pre>
Related Commands	POWER:POWER<x>:REFLevels:METHod POWER:POWER<x>:REFLevels:ABSolute:TYPE

Arguments	<code>Power<x></code> is the power measurement number. This is the equivalent of the number shown in the UI for a power measurement badge. <code><NR1></code> ranges from -40000 to 40000
Examples	<code>Power:Power1:REFLevels:ABSolute:FALLHigh 1</code> sets the high reference level for falling edge as 1 volt.

POWER:POWER<x>:REFLevels:ABSolute:FALLLow

This command sets or queries the falling edge for low reference level in absolute units for the specified power measurement number.

Conditions	Requires option PWR or PS2.
Group	Power
Syntax	<code>Power:Power<x>:REFLevels:ABSolute:FALLLow <NR1></code> <code>Power:Power<x>:REFLevels:ABSolute:FALLLow?</code>
Related Commands	POWER:POWER<x>:REFLevels:METHOD POWER:POWER<x>:REFLevels:ABSolute:TYPE
Arguments	<code>Power<x></code> is the power measurement number. This is the equivalent of the number shown in the UI for a power measurement badge. <code><NR1></code> ranges from -40000 to 40000
Examples	<code>Power:Power1:REFLevels:ABSolute:FALLLow -1</code> sets the low reference level for falling edge as -1 volt.

POWER:POWER<x>:REFLevels:ABSolute:FALLMid

This command sets or queries the falling edge for mid reference level in absolute units for the specified power measurement number.

Conditions	Requires option PWR or PS2.
Group	Power

Syntax `POWer:POWer<x>:REFLevels:ABSolute:FALLMid <NR1>`
`POWer:POWer<x>:REFLevels:ABSolute:FALLMid?`

Related Commands [POWer:POWer<x>:REFLevels:METHod](#)
[POWer:POWer<x>:REFLevels:ABSolute:TYPE](#)

Arguments `POWer<x>` is the power measurement number. This is the equivalent of the number shown in the UI for a power measurement badge.
`<NR1>` ranges from -40000 to 40000

Examples `POWer:POWer1:REFLevels:ABSolute:FALLMid 0` sets the mid reference level for falling edge as 0 volt.

POWer:POWer<x>:REFLevels:ABSolute:HYSteresis

This command sets or queries the absolute hysteresis value for the specified power measurement number.

Conditions Requires option PWR or PS2.

Group Power

Syntax `POWer:POWer<x>:REFLevels:ABSolute:HYSteresis <NR1>`
`POWer:POWer<x>:REFLevels:ABSolute:HYSteresis?`

Related Commands [POWer:POWer<x>:REFLevels:METHod](#)

Arguments `POWer<x>` is the power measurement number. This is the equivalent of the number shown in the UI for a power measurement badge.
`<NR1>` ranges from 0.0000005 to 10

Examples `POWer:POWer1:REFLevels:ABSolute:HYSteresis 10` sets the reference level hysteresis value in absolute to 10.

POWer:POWer<x>:REFLevels:ABSolute:RISEHigh

This command sets or queries the rising edge for high reference level in absolute units for the specified power measurement number.

Conditions	Requires option PWR or PS2.
Group	Power
Syntax	POWer:POWer<x>:REFLevels:ABSolute:RISEHigh <NR1> POWer:POWer<x>:REFLevels:ABSolute:RISEHigh?
Related Commands	POWer:POWer<x>:REFLevels:METHOD POWer:POWer<x>:REFLevels:ABSolute:TYPE
Arguments	POWer<x> is the power measurement number. This is the equivalent of the number shown in the UI for a power measurement badge. <NR1> ranges from -40000 to 40000
Examples	POWer:POWer1:REFLevels:ABSolute:RISEHigh 1 sets the high reference level for rising edge as 1 volt.

POWer:POWer<x>:REFLevels:ABSolute:RISELow

This command sets or queries the rising edge for low reference level in absolute units for the specified power measurement number.

Conditions	Requires option PWR or PS2.
Group	Power
Syntax	POWer:POWer<x>:REFLevels:ABSolute:RISELow <NR1> POWer:POWer<x>:REFLevels:ABSolute:RISELow?
Related Commands	POWer:POWer<x>:REFLevels:METHOD POWer:POWer<x>:REFLevels:ABSolute:TYPE

Arguments `POWER<x>` is the power measurement number. This is the equivalent of the number shown in the UI for a power measurement badge.
`<NR1>` ranges from -40000 to 40000.

Examples `POWER:POWER1:REFLevels:ABSolute:RISELow -1` sets the low reference level for rising edge as -1 volt.

POWER:POWER<x>:REFLevels:ABSolute:RISEMid

This command sets or queries the rising edge for mid reference level in absolute units for the specified power measurement number.

Conditions Requires option PWR or PS2.

Group Power

Syntax `POWER:POWER<x>:REFLevels:ABSolute:RISEMid <NR1>`
`POWER:POWER<x>:REFLevels:ABSolute:RISEMid?`

Related Commands [POWER:POWER<x>:REFLevels:METHod](#)
[POWER:POWER<x>:REFLevels:ABSolute:TYPE](#)

Arguments `POWER<x>` is the power measurement number. This is the equivalent of the number shown in the UI for a power measurement badge.
`<NR1>` ranges from -40000 to 40000.

Examples `POWER:POWER1:REFLevels:ABSolute:RISEMid 0` sets the mid reference level for rising edge as 0 volt.

POWER:POWER<x>:REFLevels:ABSolute:TYPE

This command sets or queries the type of measurement levels when reference level is set to absolute for the specified power measurement number.

Conditions Requires option PWR or PS2.

Group Power

Syntax `POWER:POWER<x>:REFLevels:ABSolute:TYPE {SAME | UNIQUE}`
`POWER:POWER<x>:REFLevels:ABSolute:TYPE?`

Related Commands [POWER:POWER<x>:REFLevels:METHOD](#)

Arguments `POWER<x>` is the power measurement number. This is the equivalent of the number shown in the UI for a power measurement badge.

`SAME`: select when the rising edge and falling edge reference levels are same.

`UNIQUE`: select when the rising edge and falling edge reference levels are different.

Examples `POWER:POWER1:REFLevels:ABSolute:TYPE UNIQUE` sets the type of measurement levels as unique for the specified power measurement badge.

POWER:POWER<x>:REFLevels:BASETop

This command sets or queries the reference level base top method for the specified power measurement number. The power measurement number is specified by x.

Conditions Requires option PWR or PS2.

Group Power

Syntax `POWER:POWER<x>:REFLevels:BASETop {AUTO | MINMax | MEANhistogram | MODEhistogram | EYEhistogram}`
`POWER:POWER<x>:REFLevels:BASETop?`

Related Commands [POWER:POWER<x>:REFLevels:METHOD](#)

Examples `POWER:POWER1:REFLevels:BASETop AUTO` sets the reference level base top method as auto for the power measurement badge 1.

POWER:POWER<x>:REFLevels:METHOD

This command sets or queries the method to configure reference level values for the specified power measurement number.

Conditions Requires option PWR or PS2.

Group	Power
Syntax	<pre>POWER:POWER<x>:REFLevels:METHOD {PERCent ABSolute} POWER:POWER<x>:REFLevels:METHOD?</pre>
Arguments	<p>POWER<x> is the power measurement number. This is the equivalent of the number shown in the UI for a power measurement badge.</p> <p>PERCent sets the power measurement to use absolute values to configure reference level values.</p> <p>ABSolute sets the power measurement to use percentage to configure reference level values.</p>
Examples	<pre>POWER:POWER3:REFLevels:METHOD PERCent</pre> <p>sets power measurement 3 to use percentage to configure reference level values.</p>

POWER:POWER<x>:REFLevels:PERCent:FALLHigh

This command sets or queries the falling edge for high reference level in percentage for the specified power measurement number.

Conditions	Requires option PWR or PS2.
Group	Power
Syntax	<pre>POWER:POWER<x>:REFLevels:PERCent:FALLHigh <NR1> POWER:POWER<x>:REFLevels:PERCent:FALLHigh?</pre>
Related Commands	<p>POWER:POWER<x>:REFLevels:METHOD</p> <p>POWER:POWER<x>:REFLevels:PERCent:TYPE</p>
Arguments	<p>POWER<x> is the power measurement number. This is the equivalent of the number shown in the UI for a power measurement badge.</p> <p><NR1> ranges from 1 to 99.</p>
Examples	<pre>POWER:POWER1:REFLevels:PERCent:FALLHigh 1</pre> <p>sets the high reference level for falling edge as 1 percentage.</p>

POWer:POWer<x>:REFLevels:PERCent:FALLLow

This command sets or queries the falling edge for low reference level in percentage for the specified power measurement number.

Conditions	Requires option PWR or PS2.
Group	Power
Syntax	POWer:POWer<x>:REFLeve1s:PERCent:FALLLow <NR1> POWer:POWer<x>:REFLeve1s:PERCent:FALLLow?
Related Commands	POWer:POWer<x>:REFLevels:METhod POWer:POWer<x>:REFLevels:PERCent:TYPE
Arguments	POWer<x> is the power measurement number. This is the equivalent of the number shown in the UI for a power measurement badge. <NR1> ranges from 1 to 99.
Examples	POWer:POWer1:REFLeve1s:PERCent:FALLLow 0 sets the low reference level for falling edge as 0 percentage.

POWer:POWer<x>:REFLevels:PERCent:FALLMid

This command sets or queries the falling edge for mid reference level in percentage for the specified power measurement number.

Conditions	Requires option PWR or PS2.
Group	Power
Syntax	POWer:POWer<x>:REFLeve1s:PERCent:FALLMid <NR1> POWer:POWer<x>:REFLeve1s:PERCent:FALLMid?
Related Commands	POWer:POWer<x>:REFLevels:METhod POWer:POWer<x>:REFLevels:PERCent:TYPE

Arguments `POWER<x>` is the power measurement number. This is the equivalent of the number shown in the UI for a power measurement badge.
`<NR1>` ranges from 1 to 99.

Examples `POWER:POWER1:REFLevels:PERCent:FALLMid 50` sets the mid reference level for falling edge as 50 percentage.

POWER:POWER<x>:REFLevels:PERCent:HYSteresis

This command sets or queries the hysteresis in percentage for the specified power measurement number.

Conditions Requires option PWR or PS2.

Group Power

Syntax `POWER:POWER<x>:REFLevels:PERCent:HYSteresis <NR1>`
`POWER:POWER<x>:REFLevels:PERCent:HYSteresis?`

Related Commands [POWER:POWER<x>:REFLevels:MEthod](#)

Arguments `POWER<x>` is the power measurement number. This is the equivalent of the number shown in the UI for a power measurement badge.
`<NR1>` ranges from 1 to 99.

Examples `POWER:POWER1:REFLevels:PERCent:HYSteresis 25` sets the hysteresis as 25 percentage.

POWER:POWER<x>:REFLevels:PERCent:RISEHigh

This command sets or queries the rising edge for high reference level in percentage for the specified power measurement number.

Conditions Requires option PWR or PS2.

Group Power

Syntax `POWER:POWER<x>:REFLevels:PERCent:RISEHigh <NR1>`
`POWER:POWER<x>:REFLevels:PERCent:RISEHigh?`

Related Commands [POWER:POWER<x>:REFLevels:METHod](#)
[POWER:POWER<x>:REFLevels:PERCent:TYPE](#)

Arguments `POWER<x>` is the power measurement number. This is the equivalent of the number shown in the UI for a power measurement badge.

`<NR1>` ranges from 1 to 99.

Examples `POWER:POWER1:REFLevels:PERCent:RISEHigh 85` sets the high reference level for rising edge as 85 percentage.

POWER:POWER<x>:REFLevels:PERCent:RISELow

This command sets or queries the rising edge for low reference level in percentage for the specified power measurement number.

Conditions Requires option PWR or PS2.

Group Power

Syntax `POWER:POWER<x>:REFLevels:PERCent:RISELow <NR1>`
`POWER:POWER<x>:REFLevels:PERCent:RISELow?`

Related Commands [POWER:POWER<x>:REFLevels:METHod](#)
[POWER:POWER<x>:REFLevels:PERCent:TYPE](#)

Arguments `POWER<x>` is the power measurement number. This is the equivalent of the number shown in the UI for a power measurement badge.

`<NR1>` ranges from 1 to 99.

Examples `POWER:POWER1:REFLevels:PERCent:RISELow 10` sets the low reference level for rising edge as 10 percentage.

POWer:POWer<x>:REFLevels:PERCent:RISEMid

This command sets or queries the rising edge for mid reference level in percentage for the specified power measurement number. The power measurement number is specified by x.

Conditions Requires option PWR or PS2.

Group Power

Syntax `POWer:POWer<x>:REFLevels:PERCent:RISEMid <NR1>`
`POWer:POWer<x>:REFLevels:PERCent:RISEMid?`

Related Commands [POWer:POWer<x>:REFLevels:METhod](#)
[POWer:POWer<x>:REFLevels:PERCent:TYPE](#)

Arguments `POWer<x>` is the power measurement number. This is the equivalent of the number shown in the UI for a power measurement badge.
`<NR1>` ranges from 1 to 99.

Examples `POWer:POWer1:REFLevels:PERCent:RISEMid 55` sets the mid reference level for rising edge as 55 percentage.

POWer:POWer<x>:REFLevels:PERCent:TYPE

This command sets or queries the reference levels for the specified power measurement number.

Conditions Requires option PWR or PS2.

Group Power

Syntax `POWer:POWer<x>:REFLevels:PERCent:TYPE {TENnInety | TWENTyeighty | CUSTom}`
`POWer:POWer<x>:REFLevels:PERCent:TYPE?`

Related Commands [POWer:POWer<x>:REFLevels:METhod](#)
[POWer:POWer<x>:REFLevels:PERCent:FALLHigh](#)

POWer:POWer<x>:REFLevels:PERCent:FALLLow

POWer:POWer<x>:REFLevels:PERCent:FALLMid

POWer:POWer<x>:REFLevels:PERCent:RISEHigh

POWer:POWer<x>:REFLevels:PERCent:RISELow

POWer:POWer<x>:REFLevels:PERCent:RISEMid

Arguments Power<x> is the power measurement number. This is the equivalent of the number shown in the UI for a power measurement badge.

TENNinety to set the low reference levels as 10% and high reference levels as 90%

TWENTyeighty to set the low reference levels as 20% and high reference levels as 80%

CUSTOM to set the custom low, high, and mid reference levels for rising and falling edges

Examples Power:Power1:REFLevels:PERCent:TYPE TENNinety sets the low reference levels as 10% and high reference levels as 90% for the power measurement badge 1.

POWer:POWer<x>:RESUlts:ALLAcqs:MAXimum? (Query Only)

This command queries the maximum value of all acquisitions for the measurement parameter in the specified power measurement number. The power measurement number is specified by x.

Conditions Requires option PWR or PS2.

Group Power

Syntax Power:Power<x>:RESUlts:ALLAcqs:MAXimum? {InputPwr|Output1Pwr|Output2Pwr|Output3Pwr|Efficiency1|Efficiency2|Efficiency3|TotalEfficiency|INDUCT|IVSINTV|MAGLOSS|Bpeak|Br|Hc|Hmax|IRipple|DeltaB|DeltaH|Permeability|RDS|TRUEPWR|APPPWR|REPWR|PWRFACTOR|PHASE|PWRFREQ|ICFACTOR|VCFACOR|IRMS|VRMS|TONENRG|TONLOSS|TOFFENRG|TOFFLOSS|CONDENRG|CONDLOSS|TTLLOSS|TTLENRG|DVBYDT|DIBYDT|SOAHITSCNT|LRIPRMS|LRIPPKPK|SWRIPRMS|SWRIPPKPK|PRIOD|FREQ|PDUTY|NDUTY|PPULSE|NPULSE|AMPL|

PKPK | HIGH | LOW | MAX | MIN | INRUSH | CAPACITANCE | OUTPUT1 |
 OUTPUT2 | OUTPUT3 | OUTPUT4 | OUTPUT5 | OUTPUT6 | OUTPUT7 |
 GAINCROSSOVERFREQ | PHASECROSSOVERFREQ | GM | PM |
 MAXPSRR | MAXPSRRFREQ | MINPSRR | MINPSRRFREQ }

NOTE. Above entries are <QString> entries, and must be entered in enclosing quotes.

Arguments

POWER<x> is the power measurement number. This is the equivalent of the number shown in the UI for a power measurement badge.

<QString> = the measurement result that you want to return from the specified power measurement number. Available results depend on the power measurement being taken in the specified measurement number. The valid <QString> arguments are:

For the Efficiency measurement, the parameters are "InputPwr", "Output1Pwr", "Output2Pwr", "Output3Pwr", "Efficiency1", "Efficiency2", "Efficiency3", "TotalEfficiency".

For Inductance measurement, the parameter is "INDUCT".

For IVSIntegralV measurement, the parameter is "IVSINTV".

For Magnetic Loss measurement, the parameter is "MAGLOSS".

For Magnetic Property measurement, the parameters are "Bpeak", "Br", "Hc", "Hmax", "IRipple", "DeltaB", "DeltaH", "Permeability".

For RDSon measurement, the parameter is "RDS".

For Power Quality measurement, the parameters are "TRUEPWR", "APPPWR", "REPWR", "PWRFACTOR", "PHASE", "PWRFREQ", "ICFACTOR", "VCFACOR", "IRMS", "VRMS".

For Switching Loss measurement, the parameters are "TONENRG", "TONLOSS", "TOFFENRG", "TOFFLOSS", "CONDENRG", "CONDLOSS", "TTLOSS", "TTLENRG".

"DVBYDT" is the parameter for the dV by dt measurement.

"DIBYDT" is the parameter for the dI by dt measurement.

"SOAHITSCNT" is the parameter for the SOA measurement.

"LRIPRMS" and "LRIPPKPK" are the parameters for the Line Ripple measurement.

"SWRIPRMS" and "SWRIPPKPK" are the parameters for the Switching Ripple measurement.

"PRIOD" is the parameter for the Cycle Period measurement.

"FREQ" is the parameter for the Cycle Frequency measurement.
"PDUTY" is the parameter for the Positive Duty Cycle measurement.
"NDUTY" is the parameter for the Negative Duty Cycle measurement.
"PPULSE" is the parameter for the Positive Pulse Width measurement.
"NPULSE" is the parameter for the Negative Pulse Width measurement.
"AMPL" is the parameter for the Cycle Amplitude measurement.
"PKPK" is the parameter for the Cycle Peak–Peak measurement.
"HIGH" is the parameter for the Cycle Top measurement.
"LOW" is the parameter for the Cycle Base measurement.
"Max" is the parameter for the Cycle Max measurement.
"MIN" is the parameter for the Cycle Min measurement.
"INRUSH" is the parameter for the Inrush Current measurement.
"CAPACITANCE" is the parameter for the Input Capacitance measurement.
"OUTPUT1" - "OUTPUT7" are the parameters for the Turn On Time and Turn Off Time measurements.
"GAINCROSSOVERFREQ", "PHASECROSSOVERFREQ", "GM", "PM" are the parameters for the Control Loop Response measurement.
"MAXPSRR", "MAXPSRRFREQ", "MINPSRR", "MINPSRRFREQ" are the parameters for the PSRR measurement

Examples `Power:Power4:RESULTS:ALLAcqs:MAXimum?` "PKPK" might return 28.56, indicating the maximum value of the Peak-to-Peak measurement for power measurement 4.

POWER:POWER<x>:RESULTS:ALLAcqs:MEAN? (Query Only)

This command queries the mean value of all acquisitions for the measurement parameter in the specified power measurement number <x>.

Conditions Requires option PWR or PS2.

Group Power

Syntax `Power:Power<x>:RESULTS:ALLAcqs:MEAN?`
`{InputPwr|Output1Pwr|Output2Pwr|}`

Output3Pwr|Efficiency1|Efficiency2|
 Efficiency3|TotalEfficiency|
 INDUCT|IVSINTV|MAGLOSS|Bpeak|Br|Hc|Hmax|
 IRipple|DeltaB|DeltaH|Permeability|RDS|TRUEPWR|
 APPPWR|REPWR|PWRFACTOR|PHASE|PWRFREQ|
 ICFACTOR|VCFACTOR|IRMS|VRMS|TONENRG|
 TONLOSS|TOFFENRG|TOFFLOSS|CONDENRG|CONDLOSS|
 TTLLOSS|TTLENRG|DVBYDT|DIBYDT|SOAHITSCNT|
 LRIPRMS|LRIPPKPK|SWRIPRMS|SWRIPPKPK|PRIOD|
 FREQ|PDUTY|NDUTY|PPULSE|NPULSE|AMPL|
 PKPK|HIGH|LOW|MAX|MIN| INRUSH|CAPACITANCE|OUTPUT1|
 OUTPUT2|OUTPUT3|OUTPUT4|OUTPUT5|OUTPUT6|OUTPUT7|
 GAINCROSSOVERFREQ|PHASECROSSOVERFREQ|GM|PM|
 MAXPSRR|MAXPSRRFREQ|MINPSRR|MINPSRRFREQ}

NOTE. Above entries are <QString> entries, and must be entered in enclosing quotes.

Arguments

POWER<x> is the power measurement number. This is the equivalent of the number shown in the UI for a power measurement badge.

<QString> = the measurement result that you want to return from the specified power measurement number. Available results depend on the power measurement being taken in the specified measurement number. The valid <QString> arguments are:

For Efficiency measurement, the parameters are "InputPwr", "Output1Pwr", "Output2Pwr", "Output3Pwr", "Efficiency1", "Efficiency2", "Efficiency3", "TotalEfficiency".

For Inductance measurement, the parameter is "INDUCT".

For IVSIntegralV measurement, the parameter is "IVSINTV".

For Magnetic Loss measurement, the parameter is "MAGLOSS".

For Magnetic Property measurement, the parameters are "Bpeak", "Br", "Hc", "Hmax", "IRipple", "DeltaB", "DeltaH", "Permeability".

For RDSon measurement, the parameter is "RDS".

For Power Quality measurement, the parameters are "TRUEPWR", "APPPWR", "REPWR", "PWRFACTOR", "PHASE", "PWRFREQ", "ICFACTOR", "VCFACTOR", "IRMS", "VRMS".

For Switching Loss measurement, the parameters are "TONENRG", "TONLOSS", "TOFFENRG", "TOFFLOSS", "CONDENRG", "CONDLOSS", "TTLLOSS", "TTLENRG".

"DVBYDT" is the parameter for the dV by dt measurement.

"DIBYDT" is the parameter for the dI by dt measurement.

"SOAHITSCNT" is the parameter for the SOA measurement.

"LRIPRMS" and "LRIPPKPK" are the parameters for the Line Ripple measurement.

"SWRIPRMS" and "SWRIPPKPK" are the parameters for the Switching Ripple measurement.

"PRIOD" is the parameter for the Cycle Period measurement.

"FREQ" is the parameter for the Cycle Frequency measurement.

"PDUTY" is the parameter for the Positive Duty Cycle measurement.

"NDUTY" is the parameter for the Negative Duty Cycle measurement.

"PPULSE" is the parameter for the Positive Pulse Width measurement.

"NPULSE" is the parameter for the Negative Pulse Width measurement.

"AMPL" is the parameter for the Cycle Amplitude measurement.

"PKPK" is the parameter for the Cycle Peak–Peak measurement.

"HIGH" is the parameter for the Cycle Top measurement.

"LOW" is the parameter for the Cycle Base measurement.

"Max" is the parameter for the Cycle Max measurement.

"MIN" is the parameter for the Cycle Min measurement.

"INRUSH" is the parameter for the Inrush Current measurement.

"CAPACITANCE" is the parameter for the Input Capacitance measurement.

"OUTPUT1" - "OUTPUT7" are the parameters for the Turn On Time and Turn Off Time measurements.

"GAINCROSSOVERFREQ", "PHASECROSSOVERFREQ", "GM", "PM" are the parameters for the Control Loop Response measurement.

"MAXPSRR", "MAXPSRRFREQ", "MINPSRR", "MINPSRRFREQ" are the parameters for the PSRR measurement

Examples `Power:POWER2:RESULTS:ALLAcqs:MEAN?` "AMPL" might return 57.45, indicating the mean value of the Amplitude measurement for all acquisitions of power measurement 2.

POWER:POWER<x>:RESULTS:ALLAcqs:MINimum? (Query Only)

This command queries the minimum value of all acquisitions for the measurement parameter of the specified power measurement <x>.

Conditions Requires option PWR or PS2.

Group Power

Syntax `Power:Power<x>:RESULTS:ALLAcqs:MINimum? {InputPwr|Output1Pwr|Output2Pwr|Output3Pwr|Efficiency1|Efficiency2|Efficiency3|TotalEfficiency|INDUCT|IVSINTV|MAGLOSS|Bpeak|Br|Hc|Hmax|IRipple|DeltaB|DeltaH|Permeability|RDS|TRUEPWR|APPPWR|REPWR|PWRFACTOR|PHASE|PWRFREQ|ICFACTOR|VCFACtor|IRMS|VRMS|TONENRG|TONLOSS|TOFFENRG|TOFFLOSS|CONDENRG|CONDLOSS|TTLLOSS|TTLENRG|DVBYDT|DIBYDT|SOAHITSCNT|LRIPRMS|LRIPPKPK|SWRIPRMS|SWRIPPKPK|PRIOD|FREQ|PDUTY|NDUTY|PPULSE|NPULSE|AMPL|PKPK|HIGH|LOW|MAX|MIN|INRUSH|CAPACITANCE|OUTPUT1|OUTPUT2|OUTPUT3|OUTPUT4|OUTPUT5|OUTPUT6|OUTPUT7|GAINCROSSOVERFREQ|PHASECROSSOVERFREQ|GM|PM|MAXPSRR|MAXPSRRFREQ|MINPSRR|MINPSRRFREQ}`

NOTE. Above entries are <QString> entries, and must be entered in enclosing quotes.

Arguments `Power<x>` is the power measurement number. This is the equivalent of the number shown in the UI for a power measurement badge.

<QString> = the measurement result that you want to return from the specified power measurement number. Available results depend on the power measurement being taken in the specified measurement number. The valid <QString> arguments are:

For Efficiency measurement, the parameters are "InputPwr", "Output1Pwr", "Output2Pwr", "Output3Pwr", "Efficiency1", "Efficiency2", "Efficiency3", "TotalEfficiency".

For Inductance measurement, the parameter is "INDUCT".

For IVSIntegralV measurement, the parameter is "IVSINTV".

For Magnetic Loss measurement, the parameter is "MAGLOSS".

For Magnetic Property measurement, the parameters are "Bpeak", "Br", "Hc", "Hmax", "IRipple", "DeltaB", "DeltaH", "Permeability".

For RDSon measurement, the parameter is "RDS".

For Power Quality measurement, the parameters are "TRUEPWR", "APPPWR", "REPWR", "PWRFACTOR", "PHASE", "PWRFREQ", "ICFACTOR", "VCFACOR", "IRMS", "VRMS".

For Switching Loss measurement, the parameters are "TONENRG", "TONLOSS", "TOFFENRG", "TOFFLOSS", "CONDENRG", "CONDLOSS", "TTLLOSS", "TTLENRG".

"DVBYDT" is the parameter for the dV by dt measurement.

"DIBYDT" is the parameter for the dI by dt measurement.

"SOAHITSCNT" is the parameter for the SOA measurement.

"LRIPRMS" and "LRIPPCK" are the parameters for the Line Ripple measurement.

"SWRIPRMS" and "SWRIPPCK" are the parameters for the Switching Ripple measurement.

"PRIOD" is the parameter for the Cycle Period measurement.

"FREQ" is the parameter for the Cycle Frequency measurement.

"PDUTY" is the parameter for the Positive Duty Cycle measurement.

"NDUTY" is the parameter for the Negative Duty Cycle measurement.

"PPULSE" is the parameter for the Positive Pulse Width measurement.

"NPULSE" is the parameter for the Negative Pulse Width measurement.

"AMPL" is the parameter for the Cycle Amplitude measurement.

"PKPK" is the parameter for the Cycle Peak–Peak measurement.

"HIGH" is the parameter for the Cycle Top measurement.

"LOW" is the parameter for the Cycle Base measurement.

"Max" is the parameter for the Cycle Max measurement.

"MIN" is the parameter for the Cycle Min measurement.

"INRUSH" is the parameter for the Inrush Current measurement.

"CAPACITANCE" is the parameter for the Input Capacitance measurement.

"OUTPUT1" - "OUTPUT7" are the parameters for the Turn On Time and Turn Off Time measurements.

"GAINCROSSOVERFREQ", "PHASECROSSOVERFREQ", "GM", "PM" are the parameters for the Control Loop Response measurement.

"MAXPSRR", "MAXPSRRFREQ", "MINPSRR", "MINPSRRFREQ" are the parameters for the PSRR measurement

Examples `Power:Power5:RESULTS:ALLAcqs:MINimum? "FREQ"` might return 5.1307829019093E6, indicating the minimum frequency measurement for all acquisitions of power measurement 5.

POWER:POWER<x>:RESULTS:ALLAcqs:PK2PK? (Query Only)

This command queries the peak-to-peak value of all acquisitions for the measurement parameter in the specified power measurement number.

Conditions Requires option PWR or PS2.

Group Power

Syntax `Power:Power<x>:RESULTS:ALLAcqs:PK2PK? {InputPwr|Output1Pwr|Output2Pwr|Output3Pwr|Efficiency1|Efficiency2|Efficiency3|TotalEfficiency|INDUCT|IVSINTV|MAGLOSS|Bpeak|Br|Hc|Hmax|IRipple|DeltaB|DeltaH|Permeability|RDS|TRUEPWR|APPPWR|REPWR|PWRFACTOR|PHASE|PWRFREQ|ICFACTOR|VCFACOR|IRMS|VRMS|TONENRG|TONLOSS|TOFFENRG|TOFFLOSS|CONDENRG|CONDLOSS|TTLLLOSS|TTLENRG|DVBYDT|DIBYDT|SOAHITSCNT|LRIPRMS|LRIPPKPK|SWRIPRMS|SWRIPPKPK|PRIOD|FREQ|PDUTY|NDUTY|PPULSE|NPULSE|AMPL|PKPK|HIGH|LOW|MAX|MIN|INRUSH|CAPACITANCE|OUTPUT1|OUTPUT2|OUTPUT3|OUTPUT4|OUTPUT5|OUTPUT6|OUTPUT7|GAINCROSSOVERFREQ|PHASECROSSOVERFREQ|GM|PM|MAXPSRR|MAXPSRRFREQ|MINPSRR|MINPSRRFREQ}`

NOTE. Above entries are <QString> entries, and must be entered in enclosing quotes.

Arguments `Power<x>` is the power measurement number. This is the equivalent of the number shown in the UI for a power measurement badge.

<QString> = the measurement result that you want to return from the specified power measurement number. Available results depend on the power measurement being taken in the specified measurement number. The valid <QString> arguments are:

For Efficiency measurement, the parameters are "InputPwr", "Output1Pwr", "Output2Pwr", "Output3Pwr", "Efficiency1", "Efficiency2", "Efficiency3", "TotalEfficiency".

For Inductance measurement, the parameter is "INDUCT".

For IVSIntegralV measurement, the parameter is "IVSINTV".

For Magnetic Loss measurement, the parameter is "MAGLOSS".

For Magnetic Property measurement, the parameters are "Bpeak", "Br", "Hc", "Hmax", "IRipple", "DeltaB", "DeltaH", "Permeability".

For RDSon measurement, the parameter is "RDS".

For Power Quality measurement, the parameters are "TRUEPWR", "APPPWR", "REPWR", "PWRFACTOR", "PHASE", "PWRFREQ", "ICFACTOR", "VCFACOR", "IRMS", "VRMS".

For Switching Loss measurement, the parameters are "TONENRG", "TONLOSS", "TOFFENRG", "TOFFLOSS", "CONDENRG", "CONDLOSS", "TTLLOSS", "TTLENRG".

"DVBYDT" is the parameter for the dV by dt measurement.

"DIBYDT" is the parameter for the dI by dt measurement.

"SOAHITSCNT" is the parameter for the SOA measurement.

"LRIPRMS" and "LRIPPCK" are the parameters for the Line Ripple measurement.

"SWRIPRMS" and "SWRIPPCK" are the parameters for the Switching Ripple measurement.

"PRIOD" is the parameter for the Cycle Period measurement.

"FREQ" is the parameter for the Cycle Frequency measurement.

"PDUTY" is the parameter for the Positive Duty Cycle measurement.

"NDUTY" is the parameter for the Negative Duty Cycle measurement.

"PPULSE" is the parameter for the Positive Pulse Width measurement.

"NPULSE" is the parameter for the Negative Pulse Width measurement.

"AMPL" is the parameter for the Cycle Amplitude measurement.

"PKPK" is the parameter for the Cycle Peak–Peak measurement.

"HIGH" is the parameter for the Cycle Top measurement.

"LOW" is the parameter for the Cycle Base measurement.

"Max" is the parameter for the Cycle Max measurement.

"MIN" is the parameter for the Cycle Min measurement.

"INRUSH" is the parameter for the Inrush Current measurement.

"CAPACITANCE" is the parameter for the Input Capacitance measurement.

"OUTPUT1" - "OUTPUT7" are the parameters for the Turn On Time and Turn Off Time measurements.

"GAINCROSSOVERFREQ", "PHASECROSSOVERFREQ", "GM", "PM" are the parameters for the Control Loop Response measurement.

"MAXPSRR", "MAXPSRRFREQ", "MINPSRR", "MINPSRRFREQ" are the parameters for the PSRR measurement

Examples `Power:Power1:RESULTS:ALLAcqs:PK2PK?` "TONLoss" might return 9.91, indicating the peak-to-peak value of T-On Energy for all acquisitions.

POWER:POWER<x>:RESULTS:ALLAcqs:POPULATION? (Query Only)

This command queries the population (number of complete cycles) of all acquisitions for the measurement parameter in the specified power measurement number.

Conditions Requires option PWR or PS2.

Group Power

Syntax `Power:Power<x>:RESULTS:ALLAcqs:POPULATION? {InputPwr|Output1Pwr|Output2Pwr|Output3Pwr|Efficiency1|Efficiency2|Efficiency3|TotalEfficiency|INDUCT|IVSINTV|MAGLOSS|Bpeak|Br|Hc|Hmax|IRipple|DeltaB|DeltaH|Permeability|RDS|TRUEPWR|APPPWR|REPWR|PWRFACTOR|PHASE|PWRFREQ|ICFACTOR|VCFACOR|IRMS|VRMS|TONENRG|TONLOSS|TOFFENRG|TOFFLOSS|CONDENRG|CONDLOSS|TTLLLOSS|TTLENRG|DVBYDT|DIBYDT|SOAHITSCNT|LRIPRMS|LRIPPKPK|SWRIPRMS|SWRIPPKPK|PRIOD|FREQ|PDUTY|NDUTY|PPULSE|NPULSE|AMPL|PKPK|HIGH|LOW|MAX|MIN|INRUSH|CAPACITANCE|OUTPUT1|OUTPUT2|OUTPUT3|OUTPUT4|OUTPUT5|OUTPUT6|OUTPUT7|GAINCROSSOVERFREQ|PHASECROSSOVERFREQ|GM|PM|MAXPSRR|MAXPSRRFREQ|MINPSRR|MINPSRRFREQ}`

NOTE. Above entries are <QString> entries, and must be entered in enclosing quotes.

Arguments `Power<x>` is the power measurement number. This is the equivalent of the number shown in the UI for a power measurement badge.

<QString> = the measurement result that you want to return from the specified power measurement number. Available results depend on the power measurement

being taken in the specified measurement number. The valid <QString> arguments are:

For Efficiency measurement, the parameters are "InputPwr", "Output1Pwr", "Output2Pwr", "Output3Pwr", "Efficiency1", "Efficiency2", "Efficiency3", "TotalEfficiency".

For Inductance measurement, the parameter is "INDUCT".

For IVSIntegralV measurement, the parameter is "IVSINTV".

For Magnetic Loss measurement, the parameter is "MAGLOSS".

For Magnetic Property measurement, the parameters are "Bpeak", "Br", "Hc", "Hmax", "IRipple", "DeltaB", "DeltaH", "Permeability".

For RDSon measurement, the parameter is "RDS".

For Power Quality measurement, the parameters are "TRUEPWR", "APPPWR", "REPWR", "PWRFACTOR", "PHASE", "PWRFREQ", "ICFACTOR", "VCFACOR", "IRMS", "VRMS".

For Switching Loss measurement, the parameters are "TONENRG", "TONLOSS", "TOFFENRG", "TOFFLOSS", "CONDENRG", "CONDLOSS", "TTLLOSS", "TTLENRG".

"DVBYDT" is the parameter for the dV by dt measurement.

"DIBYDT" is the parameter for the dI by dt measurement.

"SOAHITSCNT" is the parameter for the SOA measurement.

"LRIPRMS" and "LRIPPCK" are the parameters for the Line Ripple measurement.

"SWRIPRMS" and "SWRIPPCK" are the parameters for the Switching Ripple measurement.

"PRIOD" is the parameter for the Cycle Period measurement.

"FREQ" is the parameter for the Cycle Frequency measurement.

"PDUTY" is the parameter for the Positive Duty Cycle measurement.

"NDUTY" is the parameter for the Negative Duty Cycle measurement.

"PPULSE" is the parameter for the Positive Pulse Width measurement.

"NPULSE" is the parameter for the Negative Pulse Width measurement.

"AMPL" is the parameter for the Cycle Amplitude measurement.

"PKPK" is the parameter for the Cycle Peak–Peak measurement.

"HIGH" is the parameter for the Cycle Top measurement.

"LOW" is the parameter for the Cycle Base measurement.

"Max" is the parameter for the Cycle Max measurement.

"MIN" is the parameter for the Cycle Min measurement.

"INRUSH" is the parameter for the Inrush Current measurement.

"CAPACITANCE" is the parameter for the Input Capacitance measurement.

"OUTPUT1" - "OUTPUT7" are the parameters for the Turn On Time and Turn Off Time measurements.

"GAINCROSSOVERFREQ", "PHASECROSSOVERFREQ", "GM", "PM" are the parameters for the Control Loop Response measurement.

"MAXPSRR", "MAXPSRRFREQ", "MINPSRR", "MINPSRRFREQ" are the parameters for the PSRR measurement

Examples `Power:Power1:RESULTS:ALLAcqs:POPulation?` "CondEnrg" might return 4.91E-3, indicating the population (number of complete cycles) of conduction energy for all acquisitions.

POWER:POWER<x>:RESULTS:ALLAcqs:STDDev? (Query Only)

This command queries the standard deviation value of all acquisitions for the measurement parameter in the specified power measurement number.

Conditions Requires option PWR or PS2.

Group Power

Syntax `Power:Power<x>:RESULTS:ALLAcqs:
STDDev? {InputPwr|Output1Pwr|
Output2Pwr|Output3Pwr|Efficiency1|Efficiency2|Efficiency3|
TotalEfficiency|INDUCT|IVSINTV|MAGLOSS|Bpeak|Br|Hc|
Hmax|IRipple|DeltaB|DeltaH|Permeability|RDS|
TRUEPWR|APPPWR|REPWR|PWRFACTOR|PHASE|PWRFREQ|
ICFACTOR|VCFACOR|IRMS|VRMS|TONENRG|TONLOSS|
TOFFENRG|TOFFLOSS|CONDENRG|CONDLOSS|TTLLOSS|
TTLENRG|DVBYDT|DIBYDT|SOAHITSCNT|LRIPRMS|
LRIPPKPK|SWRIPRMS|SWRIPPKPK|PRIOD|FREQ|PDUTY|
NDUTY|PPULSE|NPULSE|AMPL|PKPK|HIGH|LOW|MAX|MIN|
INRUSH|CAPACITANCE|OUTPUT1|
OUTPUT2|OUTPUT3|OUTPUT4|OUTPUT5|OUTPUT6|OUTPUT7|
GAINCROSSOVERFREQ|PHASECROSSOVERFREQ|GM|PM|
MAXPSRR|MAXPSRRFREQ|MINPSRR|MINPSRRFREQ}`

NOTE. Above entries are <QString> entries, and must be entered in enclosing quotes.

Arguments

POWER<x> is the power measurement number. This is the equivalent of the number shown in the UI for a power measurement badge.

<Qstring> = the measurement result that you want to return from the specified power measurement number. Available results depend on the power measurement being taken in the specified measurement number. The valid <QString> arguments are:

For Efficiency measurement, the parameters are "InputPwr", "Output1Pwr", "Output2Pwr", "Output3Pwr", "Efficiency1", "Efficiency2", "Efficiency3", "TotalEfficiency".

For Inductance measurement, the parameter is "INDUCT".

For IVSIntegralV measurement, the parameter is "IVSINTV".

For Magnetic Loss measurement, the parameter is "MAGLOSS".

For Magnetic Property measurement, the parameters are "Bpeak", "Br", "Hc", "Hmax", "IRipple", "DeltaB", "DeltaH", "Permeability".

For RDSon measurement, the parameter is "RDS".

For Power Quality measurement, the parameters are "TRUEPWR", "APPPWR", "REPWR", "PWRFACTOR", "PHASE", "PWRFREQ", "ICFACTOR", "VCFACOR", "IRMS", "VRMS".

For Switching Loss measurement, the parameters are "TONENRG", "TONLOSS", "TOFFENRG", "TOFFLOSS", "CONDENRG", "CONDLOSS", "TTLLOSS", "TTLENRG".

"DVBYDT" is the parameter for the dV by dt measurement.

"DIBYDT" is the parameter for the dI by dt measurement.

"SOAHITSCNT" is the parameter for the SOA measurement.

"LRIPRMS" and "LRIPPCK" are the parameters for the Line Ripple measurement.

"SWRIPRMS" and "SWRIPPCK" are the parameters for the Switching Ripple measurement.

"PRIOD" is the parameter for the Cycle Period measurement.

"FREQ" is the parameter for the Cycle Frequency measurement.

"PDUTY" is the parameter for the Positive Duty Cycle measurement.

"NDUTY" is the parameter for the Negative Duty Cycle measurement.

"PPULSE" is the parameter for the Positive Pulse Width measurement.

"NPULSE" is the parameter for the Negative Pulse Width measurement.

"AMPL" is the parameter for the Cycle Amplitude measurement.

"PKPK" is the parameter for the Cycle Peak–Peak measurement.

"HIGH" is the parameter for the Cycle Top measurement.

"LOW" is the parameter for the Cycle Base measurement.

"Max" is the parameter for the Cycle Max measurement.

"MIN" is the parameter for the Cycle Min measurement.

"INRUSH" is the parameter for the Inrush Current measurement.

"CAPACITANCE" is the parameter for the Input Capacitance measurement.

"OUTPUT1" - "OUTPUT7" are the parameters for the Turn On Time and Turn Off Time measurements.

"GAINCROSSOVERFREQ", "PHASECROSSOVERFREQ", "GM", "PM" are the parameters for the Control Loop Response measurement.

"MAXPSRR", "MAXPSRRFREQ", "MINPSRR", "MINPSRRFREQ" are the parameters for the PSRR measurement

Examples `Power:Power1:RESULTS:ALLAcqs:STDDev? "TONLoss"` might return 4.25, indicating the standard deviation value of T-On Energy loss for all acquisitions.

POWER:POWER<x>:RESULTS:CURREntacq:F1MAG? (Query Only)

This command queries the first harmonics magnitude value for the specified power measurement number.

Conditions Requires option PWR or PS2.

Group Power

Syntax `Power:Power<x>:RESULTS:CURREntacq:F1MAG? "harmonics"`

Arguments `Power<x>` is the power measurement number. This is the equivalent of the number shown in the UI for a power measurement badge.

Examples `POWER:POWER1:RESULTS:CURRENTacq:F1MAG?` "harmonics" might return 1.4151834770090, indicating the value of the first harmonics magnitude for the power measurement badge 1.

POWER:POWER<x>:RESULTS:CURRENTacq:F3MAG? (Query Only)

This command queries the third harmonics magnitude value for the specified power measurement number.

Conditions Requires option PWR or PS2.

Group Power

Syntax `POWER:POWER<x>:RESULTS:CURRENTacq:F3MAG?` "harmonics"

Arguments `POWER<x>` is the power measurement number. This is the equivalent of the number shown in the UI for a power measurement badge.

Examples `POWER:POWER1:RESULTS:CURRENTacq:f3MAG?` "harmonics" might return 234.0187140104806E-6, indicating the value of third harmonics magnitude for the power measurement badge 1.

POWER:POWER<x>:RESULTS:CURRENTacq:FREQUENCY? (Query Only)

This command queries the fundamental frequency for the specified power measurement number.

Conditions Requires option PWR or PS2.

Group Power

Syntax `POWER:POWER<x>:RESULTS:CURRENTacq:FREQUENCY?` "harmonics"

Arguments `POWER<x>` is the power measurement number. This is the equivalent of the number shown in the UI for a power measurement badge.

Examples `Power:Power1:RESULTS:CURRENTacq:FREQUENCY?` "harmonics" might return 100.0067656931537E+3, indicating the fundamental frequency for the power measurement badge 1.

POWER:POWER<x>:RESULTS:CURRENTacq:IRMS? (Query Only)

This command queries the RMS current value for the specified power measurement number.

Conditions Requires option PWR or PS2.

Group Power

Syntax `Power:POWER<x>:RESULTS:CURRENTacq:IRMS?` "harmonics"

Arguments `Power<x>` is the power measurement number. This is the equivalent of the number shown in the UI for a power measurement badge.

Examples `Power:Power1:RESULTS:CURRENTacq:IRMS?` "harmonics" might return 1.4149980733491, indicating the RMS current value for the power measurement badge 1.

POWER:POWER<x>:RESULTS:CURRENTacq:MAXimum? (Query Only)

This command queries the maximum value of the current acquisition for the measurement parameter in the specified power measurement number.

Conditions Requires option PWR or PS2.

Group Power

Syntax `Power:POWER<x>:RESULTS:CURRENTacq:MAXimum?` {InputPwr|Output1Pwr|Output2Pwr|Output3Pwr|Efficiency1|Efficiency2|Efficiency3|TotalEfficiency|INDUCT|IVSINTV|MAGLOSS|Bpeak|Br|Hc|Hmax|IRipple|DeltaB|DeltaH|Permeability|RDS|TRUEPWR|APPPWR|REPWR|PWRFACTOR|PHASE|PWRFREQ|ICFACTOR|VCFACOR|IRMS|VRMS|TONENRG|TONLOSS|TOFFENRG|TOFFLOSS|CONDENRG|CONDLOSS|TTLLLOSS|TTLENRG|DVBYDT|DIBYDT|SOAHITSCNT|LRIPRMS|LRIPPKPK|SWRIPRMS|SWRIPPKPK|PRIOD|

FREQ | PDUTY | NDUTY | PPULSE | NPULSE | AMPL | PKPK |
 HIGH | LOW | MAX | MIN | INRUSH | CAPACITANCE | OUTPUT1 |
 OUTPUT2 | OUTPUT3 | OUTPUT4 | OUTPUT5 | OUTPUT6 | OUTPUT7 |
 GAINCROSSOVERFREQ | PHASECROSSOVERFREQ | GM | PM |
 MAXPSRR | MAXPSRRFREQ | MINPSRR | MINPSRRFREQ }

NOTE. Above entries are <QString> entries, and must be entered in enclosing quotes.

Arguments

Power<x> is the power measurement number. This is the equivalent of the number shown in the UI for a power measurement badge.

<QString> = the measurement result that you want to return from the specified power measurement number. Available results depend on the power measurement being taken in the specified measurement number. The valid <QString> arguments are:

For Efficiency measurement, the parameters are "InputPwr", "Output1Pwr", "Output2Pwr", "Output3Pwr", "Efficiency1", "Efficiency2", "Efficiency3", "TotalEfficiency".

For Inductance measurement, the parameter is "INDUCT".

For IVSIntegralV measurement, the parameter is "IVSINTV".

For Magnetic Loss measurement, the parameter is "MAGLOSS".

For Magnetic Property measurement, the parameters are "Bpeak", "Br", "Hc", "Hmax", "IRipple", "DeltaB", "DeltaH", "Permeability".

For RDSon measurement, the parameter is "RDS".

For Power Quality measurement, the parameters are "TRUEPWR", "APPPWR", "REPWR", "PWRFACTOR", "PHASE", "PWRFREQ", "ICFACTOR", "VCFACOR", "IRMS", "VRMS".

For Switching Loss measurement, the parameters are "TONENRG", "TONLOSS", "TOFFENRG", "TOFFLOSS", "CONDENRG", "CONDLOSS", "TTLLOSS", "TTLENRG".

"DVBYDT" is the parameter for the dV by dt measurement.

"DIBYDT" is the parameter for the dI by dt measurement.

"SOAHITSCNT" is the parameter for the SOA measurement.

"LRIPRMS" and "LRIPPCKPK" are the parameters for the Line Ripple measurement.

"SWRIPRMS" and "SWRIPPCKPK" are the parameters for the Switching Ripple measurement.

"PRIOD" is the parameter for the Cycle Period measurement.

"FREQ" is the parameter for the Cycle Frequency measurement.
 "PDUTY" is the parameter for the Positive Duty Cycle measurement.
 "NDUTY" is the parameter for the Negative Duty Cycle measurement.
 "PPULSE" is the parameter for the Positive Pulse Width measurement.
 "NPULSE" is the parameter for the Negative Pulse Width measurement.
 "AMPL" is the parameter for the Cycle Amplitude measurement.
 "PKPK" is the parameter for the Cycle Peak–Peak measurement.
 "HIGH" is the parameter for the Cycle Top measurement.
 "LOW" is the parameter for the Cycle Base measurement.
 "Max" is the parameter for the Cycle Max measurement.
 "MIN" is the parameter for the Cycle Min measurement.
 "INRUSH" is the parameter for the Inrush Current measurement.
 "CAPACITANCE" is the parameter for the Input Capacitance measurement.
 "OUTPUT1" - "OUTPUT7" are the parameters for the Turn On Time and Turn Off Time measurements.
 "GAINCROSSOVERFREQ", "PHASECROSSOVERFREQ", "GM", "PM" are the parameters for the Control Loop Response measurement.
 "MAXPSRR", "MAXPSRRFREQ", "MINPSRR", "MINPSRRFREQ" are the parameters for the PSRR measurement

Examples `Power:Power1:RESULTS:CURRENTacq:MAXimum?` "TONEnrg" might return 32.8, indicating the maximum value of Ton Energy for the current acquisition.

POWER:POWER<x>:RESULTS:CURRENTacq:MEAN? (Query Only)

This command queries the mean value of the current acquisition for the measurement parameter of the specified power measurement <x>.

Conditions Requires option PWR or PS2.

Group Power

Syntax `Power:POWER<x>:RESULTS:CURRENTacq:MEAN? {InputPwr|Output1Pwr|Output2Pwr|Output3Pwr|Efficiency1|Efficiency2|Efficiency3|TotalEfficiency|INDUCT|IVSINTV|MAGLOSS|Bpeak|`

Br|Hc|Hmax|IRipple|DeltaB|DeltaH|Permeability|RDS|TRUEPWR|
 APPPWR|REPWR|PWRFACTOR|PHASE|PWRFREQ|ICFACTOR|VCFACOR|IRMS|
 VRMS|TONENRG|TONLOSS|TOFFENRG|TOFFLOSS|CONDENRG|CONDLOSS|
 TTLLOSS|TTLENRG|DVBYDT|DIBYDT|SOAHITSCNT|LRIPRMS|LRIPPKPK|
 SWRIPRMS|SWRIPPKPK|PRIOD|FREQ|PDUTY|NDUTY|PPULSE|NPULSE|
 AMPL|PKPK|HIGH|LOW|MAX|MIN|INRUSH|CAPACITANCE|OUTPUT1|
 OUTPUT2|OUTPUT3|OUTPUT4|OUTPUT5|OUTPUT6|OUTPUT7|
 GAINCROSSOVERFREQ|PHASECROSSOVERFREQ|GM|PM|
 MAXPSRR|MAXPSRRFREQ|MINPSRR|MINPSRRFREQ}

NOTE. Above entries are <QString> entries, and must be entered in enclosing quotes.

Arguments

POWER<x> is the power measurement number. This is the equivalent of the number shown in the UI for a power measurement badge.

<QString> = the measurement result that you want to return from the specified power measurement number. Available results depend on the power measurement being taken in the specified measurement number. The valid <QString> arguments are:

For Efficiency measurement, the parameters are "InputPwr", "Output1Pwr", "Output2Pwr", "Output3Pwr", "Efficiency1", "Efficiency2", "Efficiency3", "TotalEfficiency".

For Inductance measurement, the parameter is "INDUCT".

For IVSIntegralV measurement, the parameter is "IVSINTV".

For Magnetic Loss measurement, the parameter is "MAGLOSS".

For Magnetic Property measurement, the parameters are "Bpeak", "Br", "Hc", "Hmax", "IRipple", "DeltaB", "DeltaH", "Permeability".

For RDSon measurement, the parameter is "RDS".

For Power Quality measurement, the parameters are "TRUEPWR", "APPPWR", "REPWR", "PWRFACTOR", "PHASE", "PWRFREQ", "ICFACTOR", "VCFACOR", "IRMS", "VRMS".

For Switching Loss measurement, the parameters are "TONENRG", "TONLOSS", "TOFFENRG", "TOFFLOSS", "CONDENRG", "CONDLOSS", "TTLLOSS", "TTLENRG".

"DVBYDT" is the parameter for the dV by dt measurement.

"DIBYDT" is the parameter for the dI by dt measurement.

"SOAHITSCNT" is the parameter for the SOA measurement.

"LRIPRMS" and "LRIPPKPK" are the parameters for the Line Ripple measurement.

"SWRIPRMS" and "SWRIPPCKPK" are the parameters for the Switching Ripple measurement.

"PRIOD" is the parameter for the Cycle Period measurement.

"FREQ" is the parameter for the Cycle Frequency measurement.

"PDUTY" is the parameter for the Positive Duty Cycle measurement.

"NDUTY" is the parameter for the Negative Duty Cycle measurement.

"PPULSE" is the parameter for the Positive Pulse Width measurement.

"NPULSE" is the parameter for the Negative Pulse Width measurement.

"AMPL" is the parameter for the Cycle Amplitude measurement.

"PKPK" is the parameter for the Cycle Peak–Peak measurement.

"HIGH" is the parameter for the Cycle Top measurement.

"LOW" is the parameter for the Cycle Base measurement.

"Max" is the parameter for the Cycle Max measurement.

"MIN" is the parameter for the Cycle Min measurement.

"INRUSH" is the parameter for the Inrush Current measurement.

"CAPACITANCE" is the parameter for the Input Capacitance measurement.

"OUTPUT1" - "OUTPUT7" are the parameters for the Turn On Time and Turn Off Time measurements.

"GAINCROSSOVERFREQ", "PHASECROSSOVERFREQ", "GM", "PM" are the parameters for the Control Loop Response measurement.

"MAXPSRR", "MAXPSRRFREQ", "MINPSRR", "MINPSRRFREQ" are the parameters for the PSRR measurement

Examples `POWER:POWER2:RESULTS:CURRENTacq:MEAN? "TruePwr"` might return `42.6097255943E-2`, indicating the mean value of true power for the current acquisition of power measurement 2.

POWER:POWER<x>:RESULTS:CURRENTacq:MINimum? (Query Only)

This command queries the minimum value of the current acquisition for the measurement parameter in the specified power measurement number.

Conditions Requires option PWR or PS2.

Group Power

Syntax `Power:Power<x>:RESULTS:CURRENTacq:MINimum? {InputPwr|Output1Pwr|Output2Pwr|Output3Pwr|Efficiency1|Efficiency2|Efficiency3|TotalEfficiency|INDUCT|IVSINTV|MAGLOSS|Bpeak|Br|Hc|Hmax|IRipple|DeltaB|DeltaH|Permeability|RDS|TRUEPWR|APPPWR|REPWR|PWRFACTOR|PHASE|PWRFREQ|ICFACTOR|VCFACOR|IRMS|VRMS|TONENRG|TONLOSS|TOFFENRG|TOFFLOSS|CONDENRG|CONDLOSS|TTLLOSS|TTLENRG|DVBYDT|DIBYDT|SOAHITSCNT|LRIPRMS|LRIPPKPK|SWRIPRMS|SWRIPPKPK|PRIOD|FREQ|PDUTY|NDUTY|PPULSE|NPULSE|AMPL|PKPK|HIGH|LOW|MAX|MIN|INRUSH|CAPACITANCE|OUTPUT1|OUTPUT2|OUTPUT3|OUTPUT4|OUTPUT5|OUTPUT6|OUTPUT7|GAINCROSSOVERFREQ|PHASECROSSOVERFREQ|GM|PM|MAXPSRR|MAXPSRRFREQ|MINPSRR|MINPSRRFREQ}`

NOTE. *Above entries are <QString> entries, and must be entered in enclosing quotes.*

Arguments `Power<x>` is the power measurement number. This is the equivalent of the number shown in the UI for a power measurement badge.

`<Qstring>` = the measurement result that you want to return from the specified power measurement number. Available results depend on the power measurement being taken in the specified measurement number. The valid `<Qstring>` arguments are:

For Efficiency measurement, the parameters are "InputPwr", "Output1Pwr", "Output2Pwr", "Output3Pwr", "Efficiency1", "Efficiency2", "Efficiency3", "TotalEfficiency".

For Inductance measurement, the parameter is "INDUCT".

For IVSIntegralV measurement, the parameter is "IVSINTV".

For Magnetic Loss measurement, the parameter is "MAGLOSS".

For Magnetic Property measurement, the parameters are "Bpeak", "Br", "Hc", "Hmax", "IRipple", "DeltaB", "DeltaH", "Permeability".

For RDSon measurement, the parameter is "RDS".

For Power Quality measurement, the parameters are "TRUEPWR", "APPPWR", "REPWR", "PWRFACTOR", "PHASE", "PWRFREQ", "ICFACTOR", "VCFACOR", "IRMS", "VRMS".

For Switching Loss measurement, the parameters are "TONENRG", "TONLOSS", "TOFFENRG", "TOFFLOSS", "CONDENRG", "CONDLOSS", "TTLLOSS", "TTLENRG".

"DVBYDT" is the parameter for the dV by dt measurement.

"DIBYDT" is the parameter for the dI by dt measurement.

"SOAHITSCNT" is the parameter for the SOA measurement.

"LRIPRMS" and "LRIPPKPK" are the parameters for the Line Ripple measurement.

"SWRIPRMS" and "SWRIPPKPK" are the parameters for the Switching Ripple measurement.

"PRIOD" is the parameter for the Cycle Period measurement.

"FREQ" is the parameter for the Cycle Frequency measurement.

"PDUTY" is the parameter for the Positive Duty Cycle measurement.

"NDUTY" is the parameter for the Negative Duty Cycle measurement.

"PPULSE" is the parameter for the Positive Pulse Width measurement.

"NPULSE" is the parameter for the Negative Pulse Width measurement.

"AMPL" is the parameter for the Cycle Amplitude measurement.

"PKPK" is the parameter for the Cycle Peak–Peak measurement.

"HIGH" is the parameter for the Cycle Top measurement.

"LOW" is the parameter for the Cycle Base measurement.

"Max" is the parameter for the Cycle Max measurement.

"MIN" is the parameter for the Cycle Min measurement.

"INRUSH" is the parameter for the Inrush Current measurement.

"CAPACITANCE" is the parameter for the Input Capacitance measurement.

"OUTPUT1" - "OUTPUT7" are the parameters for the Turn On Time and Turn Off Time measurements.

"GAINCROSSOVERFREQ", "PHASECROSSOVERFREQ", "GM", "PM" are the parameters for the Control Loop Response measurement.

"MAXPSRR", "MAXPSRRFREQ", "MINPSRR", "MINPSRRFREQ" are the parameters for the PSRR measurement

Examples `POWER:POWER1:RESULTS:CURRENTacq:MINimum? "TruePwr"` might return `4.17829019093E-9`, indicating the minimum value of true power for the current acquisition.

POWER:POWER<x>:RESULTS:CURRENTacq:PK2PK? (Query Only)

This command queries the peak-to-peak value of the current acquisition for the measurement parameter in the specified power measurement number.

Conditions Requires option PWR or PS2.

Group Power

Syntax `Power:Power<x>:RESULTS:CURRENTacq:PK2PK? {InputPwr|Output1Pwr|Output2Pwr|Output3Pwr|Efficiency1|Efficiency2|Efficiency3|TotalEfficiency|INDUCT|IVSINTV|MAGLOSS|Bpeak|Br|Hc|Hmax|IRipple|DeltaB|DeltaH|Permeability|RDS|TRUEPWR|APPPWR|REPWR|PWRFACTOR|PHASE|PWRFREQ|ICFACTOR|VCFACOR|IRMS|VRMS|TONENRG|TONLOSS|TOFFENRG|TOFFLOSS|CONDENRG|CONDLOSS|TTLLOSS|TTLENRG|DVBYDT|DIBYDT|SOAHITSCNT|LRIPRMS|LRIPPKPK|SWRIPRMS|SWRIPPKPK|PRIOD|FREQ|PDUTY|NDUTY|PPULSE|NPULSE|AMPL|PKPK|HIGH|LOW|MAX|MIN|INRUSH|CAPACITANCE|OUTPUT1|OUTPUT2|OUTPUT3|OUTPUT4|OUTPUT5|OUTPUT6|OUTPUT7|GAINCROSSOVERFREQ|PHASECROSSOVERFREQ|GM|PM|MAXPSRR|MAXPSRRFREQ|MINPSRR|MINPSRRFREQ}`

NOTE. Above entries are <QString> entries, and must be entered in enclosing quotes.

Arguments Power<x> is the power measurement number. This is the equivalent of the number shown in the UI for a power measurement badge.

<Qstring> = the measurement result that you want to return from the specified power measurement number. Available results depend on the power measurement being taken in the specified measurement number. The valid <QString> arguments are:

For Efficiency measurement, the parameters are "InputPwr", "Output1Pwr", "Output2Pwr", "Output3Pwr", "Efficiency1", "Efficiency2", "Efficiency3", "TotalEfficiency".

For Inductance measurement, the parameter is "INDUCT".

For IVSIntegralV measurement, the parameter is "IVSINTV".

For Magnetic Loss measurement, the parameter is "MAGLOSS".

For Magnetic Property measurement, the parameters are "Bpeak", "Br", "Hc", "Hmax", "IRipple", "DeltaB", "DeltaH", "Permeability".

For RDSon measurement, the parameter is "RDS".

For Power Quality measurement, the parameters are "TRUEPWR", "APPPWR", "REPWR", "PWRFACTOR", "PHASE", "PWRFREQ", "ICFACTOR", "VCFACOR", "IRMS", "VRMS".

For Switching Loss measurement, the parameters are "TONENRG", "TONLOSS", "TOFFENRG", "TOFFLOSS", "CONDENRG", "CONDLOSS", "TTLLOSS", "TTLENRG".

"DVBYDT" is the parameter for the dV by dt measurement.

"DIBYDT" is the parameter for the dI by dt measurement.

"SOAHITSCNT" is the parameter for the SOA measurement.

"LRIPRMS" and "LRIPPKPK" are the parameters for the Line Ripple measurement.

"SWRIPRMS" and "SWRIPPKPK" are the parameters for the Switching Ripple measurement.

"PRIOD" is the parameter for the Cycle Period measurement.

"FREQ" is the parameter for the Cycle Frequency measurement.

"PDUTY" is the parameter for the Positive Duty Cycle measurement.

"NDUTY" is the parameter for the Negative Duty Cycle measurement.

"PPULSE" is the parameter for the Positive Pulse Width measurement.

"NPULSE" is the parameter for the Negative Pulse Width measurement.

"AMPL" is the parameter for the Cycle Amplitude measurement.

"PKPK" is the parameter for the Cycle Peak–Peak measurement.

"HIGH" is the parameter for the Cycle Top measurement.

"LOW" is the parameter for the Cycle Base measurement.

"Max" is the parameter for the Cycle Max measurement.

"MIN" is the parameter for the Cycle Min measurement.

"INRUSH" is the parameter for the Inrush Current measurement.

"CAPACITANCE" is the parameter for the Input Capacitance measurement.

"OUTPUT1" - "OUTPUT7" are the parameters for the Turn On Time and Turn Off Time measurements.

"GAINCROSSOVERFREQ", "PHASECROSSOVERFREQ", "GM", "PM" are the parameters for the Control Loop Response measurement.

"MAXPSRR", "MAXPSRRFREQ", "MINPSRR", "MINPSRRFREQ" are the parameters for the PSRR measurement

Examples `Power:Power1:RESULTS:CURRENTacq:PK2PK?` "TONLoss" might return 9.91, indicating the peak-to-peak value of Ton Energy for the current acquisition.

Power:Power<x>:RESULTS:CURRENTacq:POHCL? (Query Only)

This command queries the limit of partial odd harmonic current for the specified power measurement number. The power measurement number is specified by x.

Conditions	Requires option PWR or PS2.
Group	Power
Syntax	<code>POWER:POWER<x>:RESULTS:CURRENTacq:POHCL? "harmonics"</code>
Arguments	<code>POWER<x></code> is the power measurement number. This is the equivalent of the number shown in the UI for a power measurement badge.
Examples	<code>POWER:POWER1:RESULTS:CURRENTacq:POHCL? "harmonics"</code> might return <code>251.3529788962128E-3</code> , indicating the limit of partial odd harmonic current for the power measurement badge 1.

POWER:POWER<x>:RESULTS:CURRENTacq:POHCM? (Query Only)

This command queries the measured value of partial odd harmonic current for the specified power measurement number. The power measurement number is specified by x.

Conditions	Requires option PWR or PS2.
Group	Power
Syntax	<code>POWER:POWER<x>:RESULTS:CURRENTacq:POHCM? "harmonics"</code>
Examples	<code>POWER:POWER1:RESULTS:CURRENTacq:POHCM? "harmonics"</code> might return <code>515.422617782020E-6</code> , indicating the measured value of partial odd harmonic current for the power measurement badge 1.

POWER:POWER<x>:RESULTS:CURRENTacq:POHCS? (Query Only)

This command queries the status of partial odd harmonic current for the specified power measurement number. The power measurement number is specified by x.

Conditions	Requires option PWR or PS2.
Group	Power

Syntax	<code>Power:Power<x>:RESULTS:CURRENTacq:POHCS? "harmonics"</code>
Arguments	<code>Power<x></code> is the power measurement number. This is the equivalent of the number shown in the UI for a power measurement badge.
Examples	<code>Power:Power1:RESULTS:CURRENTacq:POHCS? "harmonics"</code> might return <code>Pass</code> , indicating the status of partial odd harmonic current for power measurement 1.

POWER:POWER<x>:RESULTS:CURRENTacq:POPULATION? (Query Only)

This command queries the population (number of complete cycles) of the current acquisition for the measurement parameter in the specified power measurement number. The power measurement number is specified by `x`.

Conditions Requires option PWR or PS2.

Group Power

Syntax `Power:Power<x>:RESULTS:CURRENTacq:POPULATION? {InputPwr|Output1Pwr|Output2Pwr|Output3Pwr|Efficiency1|Efficiency2|Efficiency3|TotalEfficiency|INDUCT|IVSINTV|MAGLOSS|Bpeak|Br|Hc|Hmax|IRipple|DeltaB|DeltaH|Permeability|RDS|TRUEPWR|APPPWR|REPWR|PWRFACTOR|PHASE|PWRFREQ|ICFACTOR|VCFACOR|IRMS|VRMS|TONENRG|TONLOSS|TOFFENRG|TOFFLOSS|CONDENRG|CONDLOSS|TTLLLOSS|TTLENRG|DVBYDT|DIBYDT|SOAHITSCNT|LRIPRMS|LRIPPKPK|SWRIPRMS|SWRIPPKPK|PRIOD|FREQ|PDUTY|NDUTY|PPULSE|NPULSE|AMPL|PKPK|HIGH|LOW|MAX|MIN|INRUSH|CAPACITANCE|OUTPUT1|OUTPUT2|OUTPUT3|OUTPUT4|OUTPUT5|OUTPUT6|OUTPUT7|GAINCROSSOVERFREQ|PHASECROSSOVERFREQ|GM|PM|MAXPSRR|MAXPSRRFREQ|MINPSRR|MINPSRRFREQ}`

NOTE. Above entries are `<QString>` entries, and must be entered in enclosing quotes.

Arguments `Power<x>` is the power measurement number. This is the equivalent of the number shown in the UI for a power measurement badge.

`<QString>` = the measurement result that you want to return from the specified power measurement number. Available results depend on the power measurement being taken in the specified measurement number. The valid `<QString>` arguments are:

For Efficiency measurement, the parameters are "InputPwr", "Output1Pwr", "Output2Pwr", "Output3Pwr", "Efficiency1", "Efficiency2", "Efficiency3", "TotalEfficiency".

For Inductance measurement, the parameter is "INDUCT".

For IVSIntegralV measurement, the parameter is "IVSINTV".

For Magnetic Loss measurement, the parameter is "MAGLOSS".

For Magnetic Property measurement, the parameters are "Bpeak", "Br", "Hc", "Hmax", "IRipple", "DeltaB", "DeltaH", "Permeability".

For RDSon measurement, the parameter is "RDS".

For Power Quality measurement, the parameters are "TRUEPWR", "APPPWR", "REPWR", "PWRFACTOR", "PHASE", "PWRFREQ", "ICFACTOR", "VCFACOR", "IRMS", "VRMS".

For Switching Loss measurement, the parameters are "TONENRG", "TONLOSS", "TOFFENRG", "TOFFLOSS", "CONDENRG", "CONDLOSS", "TTLLOSS", "TTLENRG".

"DVBYDT" is the parameter for the dV by dt measurement.

"DIBYDT" is the parameter for the dI by dt measurement.

"SOAHITSCNT" is the parameter for the SOA measurement.

"LRIPRMS" and "LRIPPCK" are the parameters for the Line Ripple measurement.

"SWRIPRMS" and "SWRIPPCK" are the parameters for the Switching Ripple measurement.

"PRIOD" is the parameter for the Cycle Period measurement.

"FREQ" is the parameter for the Cycle Frequency measurement.

"PDUTY" is the parameter for the Positive Duty Cycle measurement.

"NDUTY" is the parameter for the Negative Duty Cycle measurement.

"PPULSE" is the parameter for the Positive Pulse Width measurement.

"NPULSE" is the parameter for the Negative Pulse Width measurement.

"AMPL" is the parameter for the Cycle Amplitude measurement.

"PKPK" is the parameter for the Cycle Peak–Peak measurement.

"HIGH" is the parameter for the Cycle Top measurement.

"LOW" is the parameter for the Cycle Base measurement.

"Max" is the parameter for the Cycle Max measurement.

"MIN" is the parameter for the Cycle Min measurement.

"INRUSH" is the parameter for the Inrush Current measurement.

"CAPACITANCE" is the parameter for the Input Capacitance measurement.

"OUTPUT1" - "OUTPUT7" are the parameters for the Turn On Time and Turn Off Time measurements.

"GAINCROSSOVERFREQ", "PHASECROSSOVERFREQ", "GM", "PM" are the parameters for the Control Loop Response measurement.

"MAXPSRR", "MAXPSRRFREQ", "MINPSRR", "MINPSRRFREQ" are the parameters for the PSRR measurement

Examples `Power:Power1:RESULTS:CURRENTacq:POPulation?` "CondEng" might return `9.24E+4`, indicating the population (number of complete cycles) of conduction energy for the current acquisition.

Power:Power<x>:RESULTS:CURRENTacq:RMS? (Query Only)

This command queries the RMS value of the source selected for the specified power measurement number. The power measurement number is specified by x.

Conditions Requires option PWR or PS2.

Group Power

Syntax `Power:Power<x>:RESULTS:CURRENTacq:RMS?` "harmonics"

Arguments `Power<x>` is the power measurement number. This is the equivalent of the number shown in the UI for a power measurement badge.

Examples `Power:Power1:RESULTS:CURRENTacq:RMS?` "harmonics" might return `1.4143420437461`, indicating the RMS value of the source selected for power measurement 1.

Power:Power<x>:RESULTS:CURRENTacq:STATUS? (Query Only)

This command queries the status of the measurement for the specified power measurement number. The power measurement number is specified by x.

Conditions Requires option PWR or PS2.

Group	Power
Syntax	POWER:POWER<x>:RESULTS:CURRENTacq:STATUS? "harmonics"
Arguments	POWER<x> is the power measurement number. This is the equivalent of the number shown in the UI for a power measurement badge.
Examples	POWER:POWER1:RESULTS:CURRENTacq:STATUS? "harmonics" might return Pass, indicating that the measurement has passed according to the standard for power measurement 1.

POWER:POWER<x>:RESULTS:CURRENTacq:STDDev? (Query Only)

This command queries the standard deviation value of the current acquisition for the measurement parameter in the specified power measurement number. The power measurement number is specified by x.

Conditions	Requires option PWR or PS2.
Group	Power
Syntax	POWER:POWER<x>:RESULTS:CURRENTacq:STDDev? {InputPwr Output1Pwr Output2Pwr Output3Pwr Efficiency1 Efficiency2 Efficiency3 TotalEfficiency INDUCT IVSINTV MAGLOSS Bpeak Br Hc Hmax IRipple DeltaB DeltaH Permeability RDS TRUEPWR APPPWR REPWR PWRFACTOR PHASE PWRFREQ ICFACTOR VCFACOR IRMS VRMS TONENRG TONLOSS TOFFENRG TOFFLOSS CONDENRG CONDLOSS TTLLOSS TTLENRG DVBYDT DIBYDT SOAHITSCNT LRIPRMS LRIPPKPK SWRIPRMS SWRIPPKPK PRIOD FREQ PDUTY NDUTY PPULSE NPULSE AMPL PKPK HIGH LOW MAX MIN INRUSH CAPACITANCE OUTPUT1 OUTPUT2 OUTPUT3 OUTPUT4 OUTPUT5 OUTPUT6 OUTPUT7 GAINCROSSOVERFREQ PHASECROSSOVERFREQ GM PM MAXPSRR MAXPSRRFREQ MINPSRR MINPSRRFREQ}
	<hr/> <p>NOTE. Above entries are <QString> entries, and must be entered in enclosing quotes.</p> <hr/>
Arguments	POWER<x> is the power measurement number. This is the equivalent of the number shown in the UI for a power measurement badge.

<QString> = the measurement result that you want to return from the specified power measurement number. Available results depend on the power measurement being taken in the specified measurement number. The valid <QString> arguments are:

For Efficiency measurement, the parameters are "InputPwr", "Output1Pwr", "Output2Pwr", "Output3Pwr", "Efficiency1", "Efficiency2", "Efficiency3", "TotalEfficiency".

For Inductance measurement, the parameter is "INDUCT".

For IVSIntegralV measurement, the parameter is "IVSINTV".

For Magnetic Loss measurement, the parameter is "MAGLOSS".

For Magnetic Property measurement, the parameters are "Bpeak", "Br", "Hc", "Hmax", "IRipple", "DeltaB", "DeltaH", "Permeability".

For RDSon measurement, the parameter is "RDS".

For Power Quality measurement, the parameters are "TRUEPWR", "APPPWR", "REPWR", "PWRFACTOR", "PHASE", "PWRFREQ", "ICFACTOR", "VCFACOR", "IRMS", "VRMS".

For Switching Loss measurement, the parameters are "TONENRG", "TONLOSS", "TOFFENRG", "TOFFLOSS", "CONDENRG", "CONDLOSS", "TTLLOSS", "TTLENRG".

"DVBYDT" is the parameter for the dV by dt measurement.

"DIBYDT" is the parameter for the dI by dt measurement.

"SOAHITSCNT" is the parameter for the SOA measurement.

"LRIPRMS" and "LRIPPKPK" are the parameters for the Line Ripple measurement.

"SWRIPRMS" and "SWRIPPKPK" are the parameters for the Switching Ripple measurement.

"PRIOD" is the parameter for the Cycle Period measurement.

"FREQ" is the parameter for the Cycle Frequency measurement.

"PDUTY" is the parameter for the Positive Duty Cycle measurement.

"NDUTY" is the parameter for the Negative Duty Cycle measurement.

"PPULSE" is the parameter for the Positive Pulse Width measurement.

"NPULSE" is the parameter for the Negative Pulse Width measurement.

"AMPL" is the parameter for the Cycle Amplitude measurement.

"PKPK" is the parameter for the Cycle Peak–Peak measurement.

"HIGH" is the parameter for the Cycle Top measurement.

"LOW" is the parameter for the Cycle Base measurement.

"Max" is the parameter for the Cycle Max measurement.

"MIN" is the parameter for the Cycle Min measurement.

"INRUSH" is the parameter for the Inrush Current measurement.

"CAPACITANCE" is the parameter for the Input Capacitance measurement.

"OUTPUT1" - "OUTPUT7" are the parameters for the Turn On Time and Turn Off Time measurements.

"GAINCROSSOVERFREQ", "PHASECROSSOVERFREQ", "GM", "PM" are the parameters for the Control Loop Response measurement.

"MAXPSRR", "MAXPSRRFREQ", "MINPSRR", "MINPSRRFREQ" are the parameters for the PSRR measurement

Examples `Power:Power2:RESULTS:CURRENTacq:STDDev?` "TONLoss" might return 1.31E+2, indicating the standard deviation value of Ton Energy for current acquisition of power measurement 2.

POWER:POWER<x>:RESULTS:CURRENTacq:THDF? (Query Only)

This command queries the total harmonic distortion (fundamental) value for the specified power measurement number. The power measurement number is specified by x.

Conditions Requires option PWR or PS2.

Group Power

Syntax `Power:Power<x>:RESULTS:CURRENTacq:THDF?` "harmonics"

Arguments `Power<x>` is the power measurement number. This is the equivalent of the number shown in the UI for a power measurement badge.

Examples `Power:Power1:RESULTS:CURRENTacq:THDF?` "harmonics" might return 96.9846996670887E-3, indicating the value of total harmonic distortion (fundamental) for power measurement 1.

POWER:POWER<x>:RESULTS:CURRENTacq:THDR? (Query Only)

This command queries the total harmonic distortion (RMS) value for the specified power measurement number. The power measurement number is specified by x.

Conditions Requires option PWR or PS2.

Group Power

Syntax POWER:POWER<x>:RESULTS:CURRENTacq:THDR? "harmonics"

Arguments POWER<x> is the power measurement number. This is the equivalent of the number shown in the UI for a power measurement badge.

Examples POWER:POWER1:RESULTS:CURRENTacq:THDR? "harmonics" might return 107.1384597967292E-3, indicating the value of total harmonic distortion (fundamental) for power measurement 1.

POWER:POWER<x>:RESULTS:CURRENTacq:TRPWR? (Query Only)

This command queries the true power value for the specified power measurement number. The power measurement number is specified by x.

Conditions Requires option PWR or PS2.

Group Power

Syntax POWER:POWER<x>:RESULTS:CURRENTacq:TRPWR? "harmonics"

Arguments POWER<x> is the power measurement number. This is the equivalent of the number shown in the UI for a power measurement badge.

Examples POWER:POWER1:RESULTS:CURRENTacq:TRPWR? "harmonics" might return 2.0002612633993, indicating the true power value for power measurement 1.

POWER:POWER<x>:RESULTS:CURRENTacq:VRMS? (Query Only)

This command queries the RMS voltage value for the specified power measurement number. The power measurement number is specified by x.

Conditions	Requires option PWR or PS2.
Group	Power
Syntax	POWER:POWER<x>:RESULTS:CURRENTacq:VRMS? "harmonics"
Arguments	POWER<x> is the power measurement number. This is the equivalent of the number shown in the UI for a power measurement badge.
Examples	POWER:POWER3:RESULTS:CURRENTacq:VRMS? "harmonics" might return 1.4117680233354, indicating the RMS voltage value for the power measurement 3.

POWER:POWER<x>:SEQSETup (No Query Form)

This command sets up the instrument's horizontal, vertical, and trigger parameters to optimize for taking the specified power measurement.

Conditions	Requires option PWR or PS2.
Group	Power
Syntax	POWER:POWER<x>:SEQSETup Execute
Arguments	<p>POWER<x> is the Power measurement identifier number. The number must be for a power measurement that requires a single sequence acquisition.</p> <p>Execute sets the measurement to run an acquisition and acquire data for the specified single sequence power measurement.</p>
Examples	POWER:POWER3:SEQUENCE Execute runs the power measurement 3 sequence setup.

POWer:POWer<x>:SEQUence

This command sets or queries the run state of a single sequence power measurement.

Conditions Requires option PWR or PS2.

Group Power

Syntax `POWer:POWer<x>:SEQUence {RUN|RERUN}`
`POWer:POWer<x>:SEQUence?`

Arguments `POWer<x>` is the Power measurement identifier number. The number must be for a power measurement that requires a single sequence acquisition.

`RUN` sets the measurement to run an acquisition and acquire data for the specified single sequence power measurement.

`RERUN` sets the measurement to rerun an acquisition and acquire data for the specified single sequence power measurement.

Examples `POWer:POWer3:SEQUence RUN` sets power measurement 3 to run the measurement.

`POWer:POWer1:SEQUence?` might return `POWer:POWer1:SEQUence RERUN`, indicating that the current state of the power measurement is rerun.

POWer:POWer<x>:SOA:ISOURce

This command sets or queries the current source for SOA measurement in the specified power measurement number. The power measurement number is specified by `x`.

Conditions Requires option PWR or PS2.

Group Power

Syntax `POWer:POWer<x>:SOA:ISOURce {CH<x>|MATH<x>|REF<x>}`
`POWer:POWer<x>:SOA:ISOURce?`

- Arguments** **Power**<x> is the power measurement number. This is the equivalent of the number shown in the UI for a power measurement badge.
- CH**<x> = A channel specifier; <x> is 1 through 8 and is limited by the number of FlexChannels on your instrument.
- MATH**<x> = A math waveform specifier; <x> is ≥ 1 .
- REF**<x> = A reference waveform specifier; <x> is ≥ 1 .
- Examples** **Power:Power1:SOA:ISOURCE CH2** sets the current source for the SOA measurement 1 as channel 2.

POWER:POWER<x>:SOA:POINT<x>

This command sets or queries the X or Y coordinate value for an SOA mask of a specified power measurement.

- Conditions** Requires option PWR or PS2.
- Group** Power
- Syntax** **Power:Power<x>:SOA:POINT<x> <NR1>**
Power:Power<x>:SOA:POINT<x>?
- Arguments** **Power**<x> is the power measurement number. This is the equivalent of the number shown in the UI for a power measurement badge.
- POINT**<x> = 1X | 2X | 3X | 4X | 5X | 6X | 7X | 8X | 9X | 10X | 11X | 12X | 13X | 14X | 15X | 16X | 17X | 18X | 19X | 20X | 21X | 22X | 23X | 24X | 25X | 26X | 27X | 28X | 29X | 30X | 31X | 32X | 1Y | 2Y | 3Y | 4Y | 5Y | 6Y | 7Y | 8Y | 9Y | 10Y | 11Y | 12Y | 13Y | 14Y | 15Y | 16Y | 17Y | 18Y | 19Y | 20Y | 21Y | 22Y | 23Y | 24Y | 25Y | 26Y | 27Y | 28Y | 29Y | 30Y | 31Y | 32Y
- <NR1> sets the specified SOA mask X or Y point value, as a floating number, in the range from -5000 to 5000.
- Examples** **Power:Power1:SOA:POINT6Y 0.125** sets the #6Y coordinate value of the SOA mask of power measurement 1 to 0.125.
- Power:Power3:SOA:POINT12X?** might return
Power:Power3:SOA:POINT12X 1.435, indicating that the #12X coordinate value of the SOA mask of power measurement 3 is 1.435.

POWer:POWer<x>:SOA:RECAllmask

This command recalls or queries the recall mask file name in the specified power measurement number. The power measurement number is specified by x.

Conditions	Requires option PWR or PS2.
Group	Power
Syntax	POWer:POWer<x>:SOA:RECAllmask POWer:POWer<x>:SOA:RECAllmask?
Examples	POWer:POWer1:SOA:RECAllmask? might return Tek000.msk, indicating the file name of the mask that will be recalled.

POWer:POWer<x>:SOA:RECAllmask:FILENAME

This command sets or queries the file name for saving SOA mask file name in the specified power measurement number. The power measurement number is specified by x.

Conditions	Requires option PWR or PS2.
Group	Power
Syntax	POWer:POWer<x>:SOA:RECAllmask:FILENAME POWer:POWer<x>:SOA:RECAllmask:FILENAME?
Examples	POWer:POWer1:SOA:RECAllmask:FILENAME

POWer:POWer<x>:SOA:SAVemask

This command saves the mask file as per the name configured and at the configured path or queries the mask file name, path, and file type for the SOA measurement in the specified power measurement number. The power measurement number is specified by x.

Conditions	Requires option PWR or PS2.
-------------------	-----------------------------

Group	Power
Syntax	Power:POWER<x>:SOA:SAVemask Power:POWER<x>:SOA:SAVemask?
Related Commands	POWer:POWer<x>:SOA:SAVemask:FILEName
Examples	Power:POWER1:SOA:SAVemask saves the mask file of SOA measurement as the configured file name at the configured path.

POWer:POWer<x>:SOA:SAVemask:AUTOINCrement

This command sets or queries the state of auto-increment for saved SOA mask file names in the specified power measurement number. The power measurement number is specified by x.

Conditions	Requires option PWR or PS2.
Group	Power
Syntax	Power:POWER<x>:SOA:SAVemask:AUTOINCrement Power:POWER<x>:SOA:SAVemask:AUTOINCrement?

POWer:POWer<x>:SOA:SAVemask:FILEName

This command sets or queries the mask file name for SOA measurement in the specified power measurement number. The power measurement number is specified by x.

Conditions	Requires option PWR or PS2.
Group	Power
Syntax	Power:POWER<x>:SOA:SAVemask:FILEName Power:POWER<x>:SOA:SAVemask:FILEName?
Examples	Power:POWER1:SOA:SAVemask:FILEName "Tek001.msk" sets the mask file name for SOA measurement as Tek001.msk.

POWER:POWER<x>:SOA:SAVemask:FOLDer

This command sets or queries the mask file folder path for SOA measurement in the specified power measurement number. The power measurement number is specified by x.

Conditions	Requires option PWR or PS2.
Group	Power
Syntax	POWER:POWER<x>:SOA:SAVemask:FOLDer POWER:POWER<x>:SOA:SAVemask:FOLDer?
Examples	POWER:POWER1:SOA:SAVemask:FOLDer "C:" sets the mask file folder path for SOA measurement as C drive.

POWER:POWER<x>:SOA:VSOURce

This command sets or queries the voltage source for SOA measurement in the specified power measurement number. The power measurement number is specified by x.

Conditions	Requires option PWR or PS2.
Group	Power
Syntax	POWER:POWER<x>:SOA:VSOURce {CH<x> MATH<x> REF<x>} POWER:POWER<x>:SOA:VSOURce?
Arguments	<p>POWER<x> is the power measurement number. This is the equivalent of the number shown in the UI for a power measurement badge.</p> <p>CH<x> = A channel specifier; <x> is 1 through 8 and is limited by the number of FlexChannels in your instrument.</p> <p>MATH<x> = A math waveform specifier; <x> is ≥ 1.</p> <p>REF<x> = A reference waveform specifier; <x> is ≥ 1.</p>
Examples	POWER:POWER1:SOA:VSOURce CH1 sets the voltage source for SOA measurement as channel 1.

POWer:POWer<x>:SWITCHINGLOSS:DEVICEType

This command sets or queries the conduction calculation method for switching loss measurement in the specified power measurement number. The power measurement number is specified by x.

Conditions	Requires option PWR or PS2.
Group	Power
Syntax	POWer:POWer<x>:SWITCHINGLOSS:DEVICEType {MOSFET BJT} POWer:POWer<x>:SWITCHINGLOSS:DEVICEType?
Examples	POWer:POWer1:SWITCHINGLOSS:DEVICEType MOSFET sets the conduction calculation method as mosfet for switching loss measurement of the power measurement badge Power 1.

POWer:POWer<x>:SWITCHINGLOSS:GATESource

This command sets or queries the gate voltage (V_g) for the switching loss measurement in the specified power measurement number. The power measurement number is specified by x.

Conditions	Requires option PWR or PS2.
Group	Power
Syntax	POWer:POWer<x>:SWITCHINGLOSS:GATESource {CH<x> MATH<x> REF<x>} POWer:POWer<x>:SWITCHINGLOSS:GATESource?
Arguments	<p>POWer<x> is the power measurement number. This is the equivalent of the number shown in the UI for a power measurement badge.</p> <p>CH<x> = A channel specifier; <x> is 1 through 8 and is limited by the number of FlexChannels in your instrument.</p> <p>MATH<x> = A math waveform specifier; <x> is ≥ 1.</p> <p>REF<x> = A reference waveform specifier; <x> is ≥ 1.</p>

Examples `Power:Power1:SWITCHINGLOSS:GATESource MATH1` sets the gate voltage (Vg) source for switching loss measurement of power measurement 1 as MATH1.

`Power:Power2:SWITCHINGLOSS:VSOURCE?` might return MATH3 indicating the gate voltage (Vg) for switching loss measurement of power measurement 2.

Power:Power<x>:SWITCHINGLOSS:ILEVELAbs

This command sets or queries the current level (Ton-Start & Stop) in absolute units for switching loss measurement in the specified power measurement number. The power measurement number is specified by x.

Conditions Requires option PWR or PS2.

Group Power

Syntax `Power:Power<x>:SWITCHINGLOSS:ILEVELAbs <NR1>`
`Power:Power<x>:SWITCHINGLOSS:ILEVELAbs?`

Related Commands [Power:Power<x>:SWITCHINGLOSS:LEVELUNIts](#)

Arguments `Power<x>` is the power measurement number. This is the equivalent of the number shown in the UI for a power measurement badge.

`<NR1>` ranges from -100 to 100

Examples `Power:Power1:SWITCHINGLOSS:ILEVELAbs 1.2` sets the current level (Ton-Start & Stop) value as 1.2 for the switching loss measurement in the power measurement badge 1.

Power:Power<x>:SWITCHINGLOSS:ILEVELPct

This command sets or queries the current level (Ton-Start & Stop) in percentage for switching loss measurement in the specified power measurement number. The power measurement number is specified by x.

Conditions Requires option PWR or PS2.

Group Power

Syntax `Power:POWER<x>:SWITCHINGLOSS:ILEVELPct <NR1>`
`Power:POWER<x>:SWITCHINGLOSS:ILEVELPct?`

Related Commands [POWER:POWER<x>:SWITCHINGLOSS:LEVELUNIts](#)

Arguments `POWER<x>` is the power measurement number. This is the equivalent of the number shown in the UI for a power measurement badge.

`<NR1>` ranges from 0.0001 to 90

Examples `Power:POWER1:SWITCHINGLOSS:ILEVELPct 6` sets the current level (Ton-Start & Stop) value as 6 percentage for the switching loss measurement in the power measurement badge 1.

POWER:POWER<x>:SWITCHINGLOSS:ISOURce

This command sets or queries the current source for the switching loss measurement in the specified power measurement number. The power measurement number is specified by x.

Conditions Requires option PWR or PS2.

Group Power

Syntax `Power:POWER<x>:SWITCHINGLOSS:ISOURce {CH<x> | MATH<x> | REF<x>}`
`Power:POWER<x>:SWITCHINGLOSS:ISOURce?`

Arguments `POWER<x>` is the power measurement number. This is the equivalent of the number shown in the UI for a power measurement badge.

`CH<x>` = A channel specifier; `<x>` is 1 through 8 and is limited by the number of FlexChannels in your instrument.

`MATH<x>` = A math waveform specifier; `<x>` is ≥ 1 .

`REF<x>` = A reference waveform specifier; `<x>` is ≥ 1 .

Examples `Power:POWER1:SWITCHINGLOSS:ISOURce CH2` sets the current source for the switching loss measurement in the specified power measurement badge as CH2.

`Power:Power2:SWITCHINGLOSS:ISOURCE?` might return CH1 indicating the current source for switching loss measurement of Power 2 power measurement badge.

POWER:POWER<x>:SWITCHINGLOSS:LEVELUNITS

This command sets or queries the level units for switching loss measurement in the specified power measurement number. The power measurement number is specified by x.

Conditions	Requires option PWR or PS2.
Group	Power
Syntax	<code>Power:Power<x>:SWITCHINGLOSS:LEVELUNITS {PERCENT ABSOLUTE}</code> <code>Power:Power<x>:SWITCHINGLOSS:LEVELUNITS?</code>
Arguments	<p><code>Power<x></code> is the power measurement number. This is the equivalent of the number shown in the UI for a power measurement badge.</p> <p><code>PERCENT</code> to set the High, Mid, and Low reference levels in percentage.</p> <p><code>ABSOLUTE</code> to set the High, Mid, and Low reference levels to specific signal levels.</p>
Examples	<code>Power:Power1:SWITCHINGLOSS:LEVELUNITS ABSOLUTE</code> sets the level units as Absolute for switching loss measurement of the power measurement badge Power 1.

POWER:POWER<x>:SWITCHINGLOSS:RDSON

This command sets or queries the RDS(on) value for switching loss measurement in the specified power measurement number. The power measurement number is specified by x.

Conditions	Requires option PWR or PS2.
Group	Power
Syntax	<code>Power:Power<x>:SWITCHINGLOSS:RDSON <NR1></code> <code>Power:Power<x>:SWITCHINGLOSS:RDSON?</code>

Related Commands `POWer:POWer<x>:SWITCHINGLOSS:DEVICEType`

Arguments `POWer<x>` is the power measurement number. This is the equivalent of the number shown in the UI for a power measurement badge.

`<NR1>` ranges from 0 to 100

Examples `POWer:POWer1:SWITCHINGLOSS:RDSON 2` sets the switching loss RDSON value as 2 for switching loss measurement of the power measurement badge Power 1.

POWer:POWer<x>:SWITCHINGLOSS:SWLCONFIGType

This command sets or queries the configuration type for the switching loss measurement in the specified power measurement number. The power measurement number is specified by x.

Conditions Requires option PWR or PS2.

Group Power

Syntax `POWer:POWer<x>:SWITCHINGLOSS:SWLCONFIGType {SMPS | PFC | FLYBACK}`
`POWer:POWer<x>:SWITCHINGLOSS:SWLCONFIGType?`

Arguments `POWer<x>` is the power measurement number. This is the equivalent of the number shown in the UI for a power measurement badge.

SMPS: Select this option in case of signals without noise and ringing. The V_g source is not required. Select V_g source (Source 3), in case of noisy signal.

PFC: Select this option when input DUT signals are from Power Factor Correction Circuit. For this case, V_g source is mandatory.

FLYBACK: Select this option when input signals are ringing. This option does not require a V_g source.

Examples `POWer:POWer1:SWITCHINGLOSS:SWLCONFIGType PFC` sets the configuration type as PFC for the switching loss measurement of the power measurement badge Power 1.

POWer:POWer<x>:SWITCHINGLOSS:VCESat

This command sets or queries the value for the VCE(sat) value for switching loss measurement in the specified power measurement number. The power measurement number is specified by x.

Conditions Requires option PWR or PS2.

Group Power

Syntax `POWer:POWer<x>:SWITCHINGLOSS:VCESat <NR1>`
`POWer:POWer<x>:SWITCHINGLOSS:VCESat?`

Related Commands [POWer:POWer<x>:SWITCHINGLOSS:DEVICeType](#)

Arguments `POWer<x>` is the power measurement number. This is the equivalent of the number shown in the UI for a power measurement badge.

`<NR1>` ranges from 0.001 to 100

Examples `POWer:POWer1:SWITCHINGLOSS:VCESat 6` sets VCE(sat) value as 6 for switching loss measurement of the power measurement badge Power 1.

POWer:POWer<x>:SWITCHINGLOSS:VGLevel

This command sets or queries the gate voltage value (V_g Level Ton-Start) for the switching loss measurement in the specified power measurement number. The power measurement number is specified by x.

Conditions Requires option PWR or PS2.

Group Power

Syntax `POWer:POWer<x>:SWITCHINGLOSS:VGLevel <NR1>`
`POWer:POWer<x>:SWITCHINGLOSS:VGLevel?`

Arguments `POWer<x>` is the power measurement number. This is the equivalent of the number shown in the UI for a power measurement badge.

`<NR1>` ranges from -100 to 100

Examples `Power:Power1:SWITCHINGLOSS:VGLLevel 1.2` sets the gate voltage value (V_{g} Level Ton-Start) for the switching loss measurement of the power measurement badge Power 1.

POWER:POWER<x>:SWITCHINGLOSS:VLEVELAbs

This command sets or queries the voltage level (Ton-Start & Stop) in absolute units for switching loss measurement in the specified power measurement number. The power measurement number is specified by x.

Conditions Requires option PWR or PS2.

Group Power

Syntax `Power:Power<x>:SWITCHINGLOSS:VLEVELAbs <NR1>`
`Power:Power<x>:SWITCHINGLOSS:VLEVELAbs?`

Arguments `Power<x>` is the power measurement number. This is the equivalent of the number shown in the UI for a power measurement badge.

`<NR1>` ranges from -100 to 100

Examples `Power:Power1:SWITCHINGLOSS:VLEVELAbs 2` sets the voltage level (Ton-Start & Stop) value as 2 for the switching loss measurement in the power measurement badge 1.

POWER:POWER<x>:SWITCHINGLOSS:VLEVELPct

This command sets or queries the voltage level (Ton-Start & Stop) in percentage for switching loss measurement in the specified power measurement number. The power measurement number is specified by x.

Conditions Requires option PWR or PS2.

Group Power

Syntax `Power:Power<x>:SWITCHINGLOSS:VLEVELPct <NR1>`
`Power:Power<x>:SWITCHINGLOSS:VLEVELPct?`

Related Commands [POWER:POWER<x>:SWITCHINGLOSS:LEVELUNIts](#)

Arguments POWER<x> is the power measurement number. This is the equivalent of the number shown in the UI for a power measurement badge.

<NR1> ranges from 0.0001 to 90

Examples POWER:POWER1:SWITCHINGLOSS:VLEVELPct 7 sets the voltage level (Ton-Start & Stop) value as 7 percentage for the switching loss measurement in the power measurement badge 1.

POWER:POWER<x>:SWITCHINGLOSS:VSOURce

This command sets or queries the voltage source for the switching loss measurement in the specified power measurement number. The power measurement number is specified by x.

Conditions Requires option PWR or PS2.

Group Power

Syntax POWER:POWER<x>:SWITCHINGLOSS:VSOURce {CH<x> | MATH<x> | REF<x>}
POWER:POWER<x>:SWITCHINGLOSS:VSOURce?

Arguments POWER<x> is the power measurement number. This is the equivalent of the number shown in the UI for a power measurement badge.

CH<x> = A channel specifier; <x> is 1 through 8 and is limited by the number of FlexChannels in your instrument.

MATH<x> = A math waveform specifier; <x> is ≥ 1 .

REF<x> = A reference waveform specifier; <x> is ≥ 1 .

Examples POWER:POWER1:SWITCHINGLOSS:VSOURce REF1 sets the voltage source for the switching loss measurement in the specified power measurement badge as REF1.

POWER:POWER2:SWITCHINGLOSS:VSOURce? might return REF3 indicating the voltage source for switching loss measurement of Power 2 power measurement badge.

POWer:POWer<x>:SWITCHINGRIPPLE:INPUTSource

This command sets or queries the input source for switching ripple measurement in the specified power measurement number. The power measurement number is specified by x.

Conditions	Requires option PWR or PS2.
Group	Power
Syntax	<code>POWer:POWer<x>:SWITCHINGRIPPLE:INPUTSource {CH<x> MATH<x> REF<x>}</code> <code>POWer:POWer<x>:SWITCHINGRIPPLE:INPUTSource?</code>
Arguments	<p><code>POWer<x></code> is the power measurement number. This is the equivalent of the number shown in the UI for a power measurement badge.</p> <p><code>CH<x></code> = A channel specifier; <code><x></code> is 1 through 8 and is limited by the number of FlexChannels in your instrument.</p> <p><code>MATH<x></code> = A math waveform specifier; <code><x></code> is ≥ 1.</p> <p><code>REF<x></code> = A reference waveform specifier; <code><x></code> is ≥ 1.</p>
Examples	<code>POWer:POWer1:SWITCHINGRIPPLE:INPUTSource CH5</code> sets the input source for switching ripple measurement as CH5 for the power measurement badge Power 1.

POWer:POWer<x>:SWITCHINGRIPPLE:LFREQuency

This command sets or queries the switching frequency for switching ripple measurement in the specified power measurement number. The power measurement number is specified by x.

Conditions	Requires option PWR or PS2.
Group	Power
Syntax	<code>POWer:POWer<x>:SWITCHINGRIPPLE:LFREQuency <NR1></code> <code>POWer:POWer<x>:SWITCHINGRIPPLE:LFREQuency?</code>

- Arguments** `POWer<x>` is the power measurement number. This is the equivalent of the number shown in the UI for a power measurement badge.
`<NR1>` ranges from 50 to 1000000
- Examples** `POWer:POWer1:SWITCHINGRIPPLE:SFREQUENCY 60000` sets the frequency present for line ripple measurement as 60000 Hz.

POWer:POWer<x>:TURNOFFtime:FREQUENCY

This command sets or queries the input frequency used by the AC or DC converter of the specified Turn Off Time measurement.

- Conditions** Requires option PWR or PS2.
- Group** Power
- Syntax** `POWer:POWer<x>:TURNOFFtime:FREQUENCY <NR3>`
`POWer:POWer<x>:TURNOFFtime:FREQUENCY?`
- Arguments** `POWer<x>` is the power measurement number. This is the equivalent of the number shown on a power measurement badge in the UI.
`<NR3>` is a floating point number that represents the frequency, in Hertz, from 1 Hz to 500 Hz.
- Examples** `POWer:POWer1:TURNOFFtime:FREQUENCY 50` sets the frequency value of Turn Off Time measurement 1 to 50 Hz.
`POWer:POWer4:TURNOFFtime:FREQUENCY?` might return
`POWer:POWer4:TURNOFFtime:FREQUENCY 350`, indicating that the frequency value of Turn Off Time measurement 4 is set to 350 Hz.

POWer:POWer<x>:TURNOFFtime:INPUTLEVEL

This command sets or queries the input voltage level of the specified Turn Off Time measurement.

- Conditions** Requires option PWR or PS2.
- Group** Power

Syntax	<pre>Power:Power<x>:TURNOFFtime:INPUTLEVEL <NR3> Power:Power<x>:TURNOFFtime:INPUTLEVEL?</pre>
Arguments	<p>Power<x> is the power measurement number. This is the equivalent of the number shown on a power measurement badge in the UI.</p> <p><NR3> is a floating point number that represents the voltage level, in volts, from -500 V to 500 V.</p>
Examples	<pre>Power:Power1:TURNOFFtime:INPUTLEVEL -350</pre> sets the input voltage level of Turn Off Time measurement 1 to -350 V. <p> <pre>Power:Power4:TURNOFFtime:INPUTLEVEL?</pre> might return <pre>Power:Power4:TURNOFFtime:INPUTLEVEL 200</pre>, indicating that the input voltage level value of Turn Off Time measurement 4 is set to 200 V. </p>

POWER:POWER<x>:TURNOFFtime:INPUTSource

This command sets or queries the input source of the specified Turn Off Time measurement.

Conditions	Requires option PWR or PS2.
Group	Power
Syntax	<pre>Power:Power<x>:TURNOFFtime:INPUTSource {CH<x> REF<x> MATH<x>} Power:Power<x>:TURNOFFtime:INPUTSource?</pre>
Arguments	<p>Power<x> is the power measurement number. This is the equivalent of the number shown on a power measurement badge in the UI.</p> <p>CH<x> is the channel specifier in the range of 1 through 8 and is limited by the number of instrument input channels.</p> <p>REF<x> is the Reference waveform specifier ≥ 1. This is the equivalent of the number shown on a Reference waveform badge in the UI.</p> <p>MATH<x> is the Math waveform specifier ≥ 1. This is the equivalent of the number shown on a Math waveform badge in the UI.</p>
Examples	<pre>Power:Power1:TURNOFFtime:INPUTSource CH4</pre> sets the input source of Turn Off Time measurement 1 to Channel 4.

POWER:POWER6:TURNOFFtime:INPUTSource? might return
 POWER:POWER6:TURNOFFtime:INPUTSource MATH2, indicating that the input
 source of Turn Off Time measurement 6 is set to Math waveform 2.

POWER:POWER<x>:TURNOFFtime:MAXTIME

This command sets or queries the maximum turn off time of the specified Turn Off Time measurement.

Conditions Requires option PWR or PS2.

Group Power

Syntax POWER:POWER<x>:TURNOFFtime:MAXTIME <NR3>
 POWER:POWER<x>:TURNOFFtime:MAXTIME?

Arguments POWER<x> is the power measurement number. This is the equivalent of the number shown on a power measurement badge in the UI.
 <NR3> is a floating point number that represents the maximum time value, in seconds, in the range 1 second to 500 seconds.

Examples POWER:POWER1:TURNOFFtime:MAXTIME 70 sets the maximum time value of Turn Off Time measurement 1 to 70 seconds.
 POWER:POWER5:TURNOFFtime:MAXTIME? might return
 POWER:POWER5:TURNOFFtime:MAXTIME 120, indicating that the maximum time value of Turn Off Time measurement 5 is 120 seconds.

POWER:POWER<x>:TURNOFFtime:MAXVoltage

This command sets or queries the maximum voltage of the specified Turn OffTime measurement.

Conditions Requires option PWR or PS2.

Group Power

Syntax POWER:POWER<x>:TURNOFFtime:MAXVoltage <NR3>
 POWER:POWER<x>:TURNOFFtime:MAXVoltage?

Arguments	<p>POWER<x> is the power measurement number. This is the equivalent of the number shown on a power measurement badge in the UI.</p> <p><NR3> is a floating point number that represents the maximum voltage in the range 1 V to 500 V.</p>
Examples	<p>POWER:POWER1:TURNOFFtime:MAXVoltage 50 sets the maximum voltage value of Turn Off Time measurement 1 to 50 volts.</p> <p>POWER:POWER4:TURNOFFtime:MAXVoltage? might return POWER:POWER4:TURNOFFtime:MAXVoltage 12, indicating that the maximum voltage value of Turn Off Time measurement 4 is 12 volts.</p>

POWER:POWER<x>:TURNOFFtime:NUMOUTputs

This command sets or queries the number of outputs of the specified Turn Off Time power measurement.

Conditions	Requires option PWR or PS2.
Group	Power
Syntax	<pre>POWER:POWER<x>:TURNOFFtime:NUMOUTputs {ONE TWO THREE FOUR FIVE SIX SEVEN} POWER:POWER<x>:TURNOFFtime:NUMOUTputs?</pre>
Related Commands	<p>POWER:POWER<x>:TURNOFFtime:OUTPUT1SOURCE</p> <p>POWER:POWER<x>:TURNOFFtime:OUTPUT1VOLTage</p> <p>POWER:POWER<x>:TURNOFFtime:OUTPUT2SOURCE</p> <p>POWER:POWER<x>:TURNOFFtime:OUTPUT2VOLTage</p> <p>POWER:POWER<x>:TURNOFFtime:OUTPUT3SOURCE</p> <p>POWER:POWER<x>:TURNOFFtime:OUTPUT3VOLTage</p> <p>POWER:POWER<x>:TURNOFFtime:OUTPUT4SOURCE</p> <p>POWER:POWER<x>:TURNOFFtime:OUTPUT4VOLTage</p> <p>POWER:POWER<x>:TURNOFFtime:OUTPUT5SOURCE</p> <p>POWER:POWER<x>:TURNOFFtime:OUTPUT5VOLTage</p> <p>POWER:POWER<x>:TURNOFFtime:OUTPUT6SOURCE</p> <p>POWER:POWER<x>:TURNOFFtime:OUTPUT6VOLTage</p>

`POWer:POWer<x>:TURNOFFtime:OUTPUT7SOURce`

`POWer:POWer<x>:TURNOFFtime:OUTPUT7VOLTage`

Arguments `POWer<x>` is the power measurement number. This is the equivalent of the number shown on a power measurement badge in the UI.

ONE through SEVEN sets the number of outputs for the Turn Off Time measurement.

Examples `POWer:Power1:TURNOFFtime:NUMOUTputs TWO` sets the number of outputs of Turn Off Time measurement 1 to two.

`POWer:Power3:TURNOFFtime:NUMOUTputs?` might return `POWer:Power3:TURNOFFtime:NUMOUTputs FOUR`, indicating that the number of outputs of Turn Off Time measurement 3 is set to four inputs.

`POWer:POWer<x>:TURNOFFtime:OUTPUT1SOURce`

This command sets or queries the output 1 source of the specified Turn Off Time measurement.

Conditions Requires option PWR or PS2.

Group Power

Syntax `POWer:Power<x>:TURNOFFtime:OUTPUT1SOURce`
`{CH<x>|REF<x>|MATH<x>}`
`POWer:POWer<x>:TURNOFFtime:OUTPUT1SOURce?`

Arguments `POWer<x>` is the power measurement number. This is the equivalent of the number shown on a power measurement badge in the UI.

`CH<x>` A channel specifier in the range of 1 through 8 and is limited by the number of instrument input channels.

`REF<x>` A Reference waveform specifier ≥ 1 . This is the equivalent of the number shown on a Reference waveform badge in the UI.

`MATH<x>` A Math waveform specifier ≥ 1 . This is the equivalent of the number shown on a Math waveform badge in the UI.

Examples `POWer:Power2:TURNOFFtime:OUTPUT1SOURce CH2` sets the output 1 source of Turn Off Time measurement 2 to Channel 2.

Power:Power1:TURNOfftime:OUTPUT1SOURCE? might return
Power:Power1:TURNOfftime:OUTPUT1SOURCE CH4, indicating that the
output 1 source of Turn Off Time measurement 1 is Channel 4.

Power:Power<x>:TURNOfftime:OUTPUT1VOLTage

This command sets or queries the output 1 voltage level of the of the specified
Turn Off Time power measurement.

Conditions	Requires option PWR or PS2.
Group	Power
Syntax	Power:Power<x>:TURNOfftime:OUTPUT1VOLTage <NR2> Power:Power<x>:TURNOfftime:OUTPUT1VOLTage?
Related Commands	Power:Power<x>:TURNOfftime:NUMOUTputs Power:Power<x>:TURNOfftime:OUTPUT1SOURCE
Arguments	Power<x> is the power measurement number. This is the equivalent of the number shown on a power measurement badge in the UI. <NR2> sets the output voltage value, in the range of –6,000 volts to +6,000 volts.
Examples	Power:Power7:TURNOfftime:OUTPUT1VOLTage -2550 sets the output 1 voltage value of Turn Off Time power measurement 7 to –2,550 volts. Power:Power3:TURNOfftime:OUTPUT1VOLTage? might return Power:Power3:TURNOfftime:OUTPUT1VOLTage 1000, indicating that the output 1 voltage value of Turn Off Time power measurement 3 is set to 1,000 volts.

Power:Power<x>:TURNOfftime:OUTPUT2SOURCE

This command sets or queries the output 2 source of the specified Turn Off Time
measurement.

Conditions	Requires option PWR or PS2.
Group	Power

Syntax	<p>Power:Power<x>:TURNOFFtime:OUTPUT2SOURCE {CH<x> REF<x> MATH<x>} Power:Power<x>:TURNOFFtime:OUTPUT2SOURCE?</p>
Arguments	<p>Power<x> is the power measurement number. This is the equivalent of the number shown on a power measurement badge in the UI.</p> <p>CH<x> A channel specifier in the range of 1 through 8 and is limited by the number of instrument input channels.</p> <p>REF<x> A Reference waveform specifier ≥ 1. This is the equivalent of the number shown on a Reference waveform badge in the UI.</p> <p>MATH<x> A Math waveform specifier ≥ 1. This is the equivalent of the number shown on a Math waveform badge in the UI.</p>
Examples	<p>Power:Power3:TURNOFFtime:OUTPUT2SOURCE CH2 sets the output 2 source of Turn Off Time measurement 3 to Channel 2.</p> <p>Power:Power5:TURNOFFtime:OUTPUT2SOURCE? might return Power:Power5:TURNOFFtime:OUTPUT2SOURCE CH8, indicating that the output 2 source of Turn Off Time measurement 5 is Channel 8.</p>

POWER:POWER<x>:TURNOFFtime:OUTPUT2VOLTage

This command sets or queries the output 2 voltage level of the specified Turn Off Time power measurement.

Conditions	Requires option PWR or PS2.
Group	Power
Syntax	<p>Power:Power<x>:TURNOFFtime:OUTPUT2VOLTage <NR2> Power:Power<x>:TURNOFFtime:OUTPUT2VOLTage?</p>
Related Commands	<p>POWER:POWER<x>:TURNOFFtime:NUMOUTputs</p> <p>POWER:POWER<x>:TURNOFFtime:OUTPUT2SOURCE</p>
Arguments	<p>Power<x> is the power measurement number. This is the equivalent of the number shown on a power measurement badge in the UI.</p> <p><NR2> sets the output voltage value, in the range of -6,000 volts to +6,000 volts.</p>

Examples `Power:Power3:TURNOfftime:OUTPUT2VOLTage -550` sets the output 2 voltage value of Turn Off Time power measurement 3 to -550 volts.

`Power:Power1:TURNOfftime:OUTPUT2VOLTage?` might return `Power:Power1:TURNOfftime:OUTPUT2VOLTage 100`, indicating that the output 2 voltage value of Turn Off Time power measurement 1 is set to 100 volts.

Power:Power<x>:TURNOfftime:OUTPUT3SOURCE

This command sets or queries the output 3 source of the specified Turn Off Time measurement.

Conditions Requires option PWR or PS2.

Group Power

Syntax `Power:Power<x>:TURNOfftime:OUTPUT3SOURCE`
`{CH<x>|REF<x>|MATH<x>}`
`Power:Power<x>:TURNOfftime:OUTPUT3SOURCE?`

Arguments `Power<x>` is the power measurement number. This is the equivalent of the number shown on a power measurement badge in the UI.

`CH<x>` A channel specifier in the range of 1 through 8 and is limited by the number of instrument input channels.

`REF<x>` A Reference waveform specifier ≥ 1 . This is the equivalent of the number shown on a Reference waveform badge in the UI.

`MATH<x>` A Math waveform specifier ≥ 1 . This is the equivalent of the number shown on a Math waveform badge in the UI.

Examples `Power:Power3:TURNOfftime:OUTPUT3SOURCE CH8` sets the output 3 source of Turn Off Time measurement 3 to Channel 8.

`Power:Power1:TURNOfftime:OUTPUT3SOURCE?` might return `Power:Power1:TURNOfftime:OUTPUT3SOURCE CH4`, indicating that the output 3 source of Turn Off Time measurement 1 is Channel 4.

Power:Power<x>:TURNOfftime:OUTPUT3VOLTage

This command sets or queries the output 3 voltage level of the specified Turn Off Time power measurement.

Conditions	Requires option PWR or PS2.
Group	Power
Syntax	<pre>POWER:POWER<x>:TURNOFFtime:OUTPUT3VOLTage <NR2> POWER:POWER<x>:TURNOFFtime:OUTPUT3VOLTage?</pre>
Related Commands	<p>POWER:POWER<x>:TURNOFFtime:NUMOUTputs</p> <p>POWER:POWER<x>:TURNOFFtime:OUTPUT3SOURce</p>
Arguments	<p>POWER<x> is the power measurement number. This is the equivalent of the number shown on a power measurement badge in the UI.</p> <p><NR2> sets the output voltage value, in the range of –6,000 volts to +6,000 volts.</p>
Examples	<pre>POWER:POWER4:TURNOFFtime:OUTPUT3VOLTage -50</pre> <p>sets the output 3 voltage value of Turn Off Time power measurement 4 to –50 volts.</p> <pre>POWER:POWER8:TURNOFFtime:OUTPUT3VOLTage?</pre> <p>might return</p> <pre>POWER:POWER8:TURNOFFtime:OUTPUT3VOLTage -200</pre> <p>indicating that the output 3 voltage value of Turn Off Time power measurement 8 is set to –200 volts.</p>

POWER:POWER<x>:TURNOFFtime:OUTPUT4SOURce

This command sets or queries the output 4 source of the specified Turn Off Time measurement.

Conditions	Requires option PWR or PS2.
Group	Power
Syntax	<pre>POWER:POWER<x>:TURNOFFtime:OUTPUT4SOURCE {CH<x> REF<x> MATH<x>} POWER:POWER<x>:TURNOFFtime:OUTPUT4SOURCE?</pre>
Arguments	<p>POWER<x> is the power measurement number. This is the equivalent of the number shown on a power measurement badge in the UI.</p> <p>CH<x> A channel specifier in the range of 1 through 8 and is limited by the number of instrument input channels.</p>

REF<x> A Reference waveform specifier ≥ 1 . This is the equivalent of the number shown on a Reference waveform badge in the UI.

MATH<x> A Math waveform specifier ≥ 1 . This is the equivalent of the number shown on a Math waveform badge in the UI.

Examples `POWER:POWER3:TURNOFFtime:OUTPUT4SOURCE CH2` sets the output 4 source of Turn Off Time measurement 3 is Channel 2.

`POWER:POWER10:TURNOFFtime:OUTPUT4SOURCE?` might return
`POWER:POWER10:TURNOFFtime:OUTPUT4SOURCE REF4`, indicating that the output 4 source of Turn Off Time measurement 10 is Reference waveform 4.

POWER:POWER<x>:TURNOFFtime:OUTPUT4VOLTage

This command sets or queries the output 4 voltage level of the specified Turn Off Time power measurement.

Conditions Requires option PWR or PS2.

Group Power

Syntax `POWER:POWER<x>:TURNOFFtime:OUTPUT4VOLTage <NR2>`
`POWER:POWER<x>:TURNOFFtime:OUTPUT4VOLTage?`

Related Commands [POWER:POWER<x>:TURNOFFtime:NUMOUTputs](#)
[POWER:POWER<x>:TURNOFFtime:OUTPUT4SOURCE](#)

Arguments `POWER<x>` is the power measurement number. This is the equivalent of the number shown on a power measurement badge in the UI.
`<NR2>` sets the output voltage value, in the range of $-6,000$ volts to $+6,000$ volts.

Examples `POWER:POWER8:TURNOFFtime:OUTPUT4VOLTage 50` sets the output 4 voltage value of Turn Off Time power measurement 8 to 50 volts.

`POWER:POWER4:TURNOFFtime:OUTPUT4VOLTage?` might return
`POWER:POWER4:TURNOFFtime:OUTPUT4VOLTage 1000`, indicating that the output 4 voltage value of Turn Off Time power measurement 4 is set to 1,000 volts.

POWER:POWER<x>:TURNOFFtime:OUTPUT5SOURCE

This command sets or queries the output 5 source of the specified Turn Off Time measurement.

Conditions Requires option PWR or PS2.

Group Power

Syntax POWER:POWER<x>:TURNOFFtime:OUTPUT5SOURCE
{CH<x>|REF<x>|MATH<x>}
POWER:POWER<x>:TURNOFFtime:OUTPUT5SOURCE?

Arguments POWER<x> is the power measurement number. This is the equivalent of the number shown on a power measurement badge in the UI.

CH<x> A channel specifier in the range of 1 through 8 and is limited by the number of instrument input channels.

REF<x> A Reference waveform specifier ≥ 1 . This is the equivalent of the number shown on a Reference waveform badge in the UI.

MATH<x> A Math waveform specifier ≥ 1 . This is the equivalent of the number shown on a Math waveform badge in the UI.

Examples POWER:POWER3:TURNOFFtime:OUTPUT5SOURCE CH2 sets the output 5 source of Turn Off Time measurement 3 to Channel 2.

POWER:POWER11:TURNOFFtime:OUTPUT5SOURCE? might return
POWER:POWER11:TURNOFFtime:OUTPUT5SOURCE CH4, indicating that the output 5 source of Turn Off Time measurement 11 is Channel 4.

POWER:POWER<x>:TURNOFFtime:OUTPUT5VOLTage

This command sets or queries the output 5 voltage level of the specified Turn Off Time power measurement.

Conditions Requires option PWR or PS2.

Group Power

Syntax POWER:POWER<x>:TURNOFFtime:OUTPUT5VOLTage <NR2>
POWER:POWER<x>:TURNOFFtime:OUTPUT5VOLTage?

Related Commands	<p>POWER:POWER<x>:TURNOFFtime:NUMOUTputs</p> <p>POWER:POWER<x>:TURNOFFtime:OUTPUT5SOURCE</p>
Arguments	<p>POWER<x> is the power measurement number. This is the equivalent of the number shown on a power measurement badge in the UI.</p> <p><NR2> sets the output voltage value, in the range of –6,000 volts to +6,000 volts.</p>
Examples	<p>POWER:POWER2:TURNOFFtime:OUTPUT5VOLTage -255 sets the output 5 voltage value of Turn Off Time power measurement 2 to –250 volts.</p> <p>POWER:POWER3:TURNOFFtime:OUTPUT5VOLTage? might return POWER:POWER3:TURNOFFtime:OUTPUT5VOLTage 100, indicating that the output 5 voltage value of Turn Off Time power measurement 3 is set to 100 volts.</p>

POWER:POWER<x>:TURNOFFtime:OUTPUT6SOURCE

This command sets or queries the output 6 source of the specified Turn Off Time measurement.

Conditions	Requires option PWR or PS2.
Group	Power
Syntax	<p>POWER:POWER<x>:TURNOFFtime:OUTPUT6SOURCE {CH<x> REF<x> MATH<x>}</p> <p>POWER:POWER<x>:TURNOFFtime:OUTPUT6SOURCE?</p>
Arguments	<p>POWER<x> is the power measurement number. This is the equivalent of the number shown on a power measurement badge in the UI.</p> <p>CH<x> A channel specifier in the range of 1 through 8 and is limited by the number of instrument input channels.</p> <p>REF<x> A Reference waveform specifier ≥ 1. This is the equivalent of the number shown on a Reference waveform badge in the UI.</p> <p>MATH<x> A Math waveform specifier ≥ 1. This is the equivalent of the number shown on a Math waveform badge in the UI.</p>
Examples	POWER:POWER3:TURNOFFtime:OUTPUT6SOURCE CH2 sets the output 6 source of Turn Off Time measurement 3 to Channel 2.

Power:Power1:TURNOfftime:OUTPUT6SOURCE? might return
 Power:Power1:TURNOfftime:OUTPUT6SOURCE CH4, indicating that the
 output 6 source of Turn Off Time measurement 1 is Channel 4.

Power:Power<x>:TURNOfftime:OUTPUT6VOLTage

This command sets or queries the output 6 voltage level of the specified Turn Off Time power measurement.

Conditions Requires option PWR or PS2.

Group Power

Syntax Power:Power<x>:TURNOfftime:OUTPUT6VOLTage <NR2>
 Power:Power<x>:TURNOfftime:OUTPUT6VOLTage?

Related Commands [Power:Power<x>:TURNOfftime:NUMOUTputs](#)
[Power:Power<x>:TURNOfftime:OUTPUT6SOURCE](#)

Arguments Power<x> is the power measurement number. This is the equivalent of the number shown on a power measurement badge in the UI.
 <NR2> sets the output voltage value, in the range of –6,000 volts to +6,000 volts.

Examples Power:Power5:TURNOfftime:OUTPUT6VOLTage 1550 sets the output 6 voltage value of Turn Off Time power measurement 5 to 1,550 volts.
 Power:Power2:TURNOfftime:OUTPUT6VOLTage? might return
 Power:Power2:TURNOfftime:OUTPUT6VOLTage –100, indicating that the output 6 voltage value of Turn Off Time power measurement 2 is set to –100 volts.

Power:Power<x>:TURNOfftime:OUTPUT7SOURCE

This command sets or queries the output 7 source of the specified Turn Off Time measurement.

Conditions Requires option PWR or PS2.

Group Power

Syntax `Power:Power<x>:TURNOFFtime:OUTPUT7SOURCE`
 `{CH<x>|REF<x>|MATH<x>}`
 `Power:Power<x>:TURNOFFtime:OUTPUT7SOURCE?`

Arguments `Power<x>` is the power measurement number. This is the equivalent of the number shown on a power measurement badge in the UI.

`CH<x>` A channel specifier in the range of 1 through 8 and is limited by the number of instrument input channels.

`REF<x>` A Reference waveform specifier ≥ 1 . This is the equivalent of the number shown on a Reference waveform badge in the UI.

`MATH<x>` A Math waveform specifier ≥ 1 . This is the equivalent of the number shown on a Math waveform badge in the UI.

Examples `Power:Power3:TURNOFFtime:OUTPUT7SOURCE CH2` sets the output 7 source of Turn Off Time measurement 3 is Channel 2.

`Power:Power1:TURNOFFtime:OUTPUT7SOURCE?` might return
`Power:Power1:TURNOFFtime:OUTPUT7SOURCE CH4`, indicating that the output 7 source of Turn Off Time measurement 1 is channel 4.

POWER:POWER<x>:TURNOFFtime:OUTPUT7VOLTage

This command sets or queries the output 7 voltage level of the specified Turn Off Time power measurement.

Conditions Requires option PWR or PS2.

Group Power

Syntax `Power:Power<x>:TURNOFFtime:OUTPUT7VOLTage <NR2>`
 `Power:Power<x>:TURNOFFtime:OUTPUT7VOLTage?`

Related Commands [POWER:POWER<x>:TURNOFFtime:NUMOUTputs](#)
 [POWER:POWER<x>:TURNOFFtime:OUTPUT7SOURCE](#)

Arguments `Power<x>` is the power measurement number. This is the equivalent of the number shown on a power measurement badge in the UI.

`<NR2>` sets the output voltage value, in the range of -6,000 volts to +6,000 volts.

- Examples** `Power:Power2:TURNOfftime:OUTPUT7VOLTage -2100` sets the output 7 voltage value of Turn Off Time power measurement 2 to -2,100 volts.
- `Power:Power3:TURNOfftime:OUTPUT7VOLTage?` might return `Power:Power3:TURNOfftime:OUTPUT7VOLTage 450`, indicating that the output 7 voltage value of Turn Off Time power measurement 3 is set to 450 volts.

POWer:POWer<x>:TURNOfftime:TYPE

This command sets or queries the type of AC/DC converter used in the specified Turn Off Time power measurement.

- Conditions** Requires option PWR or PS2.
- Group** Power
- Syntax** `Power:Power<x>:TURNOfftime:TYPE {DCDC|ACDC}`
`Power:Power<x>:TURNOfftime:TYPE?`
- Arguments** `Power<x>` is the power measurement number. This is the equivalent of the number shown on a power measurement badge in the UI.
- DCDC sets the measurement to use a DC to DC converter.
- ACDC sets the measurement to use an AC to DC converter.
- Examples** `Power:Power1:TURNOfftime:TYPE ACDC` sets Turn Off time measurement 1 to use an AC to DC converter.
- `Power:Power5:TURNOfftime:TYPE?` might return `Power:Power5:TURNOfftime:TYPE DCDC`, indicating that the converter type for Turn Off Time measurement 5 is set to use a DC to DC converter.

POWer:POWer<x>:TURNOnTime:FREQuency

This command sets or queries the input frequency used by the AC or DC converter of the specified Turn On Time measurement.

- Conditions** Requires option PWR or PS2.
- Group** Power

Syntax `POWER:POWER<x>:TURNONtime:FREQUENCY <NR3>`
`POWER:POWER<x>:TURNONtime:FREQUENCY?`

Arguments `POWER<x>` is the power measurement number. This is the equivalent of the number shown on a power measurement badge in the UI.

`<NR3>` is a floating point number that represents the frequency, in Hertz, from 1 Hz to 500 Hz.

Examples `POWER:POWER1:TURNONtime:FREQUENCY 50` sets the frequency value of the AC/DC converter in Turn On Time measurement 1 to 50 Hz.

`POWER:POWER4:TURNONtime:FREQUENCY?` might return
`POWER:POWER4:TURNONtime:FREQUENCY 200`, indicating that the frequency value of the AC/DC converter in Turn On Time measurement 4 is set to 200 Hz.

POWER:POWER<x>:TURNONtime:INPUTLEVEL

This command sets or returns the input voltage level of the specified Turn On Time measurement.

Conditions Requires option PWR or PS2.

Group Power

Syntax `POWER:POWER<x>:TURNONtime:INPUTLEVEL <NR3>`
`POWER:POWER<x>:TURNONtime:INPUTLEVEL?`

Arguments `POWER<x>` is the power measurement number. This is the equivalent of the number shown on a power measurement badge in the UI.

`<NR3>` is a floating point number that represents the voltage level, in volts, from -500 V to 500 V.

Examples `POWER:POWER12:TURNONtime:INPUTLEVEL -350` sets the input voltage level of Turn On Time measurement 12 to -350 V.

`POWER:POWER4:TURNONtime:INPUTLEVEL?` might return
`POWER:POWER4:TURNONtime:INPUTLEVEL 230`, indicating that the input voltage level value of Turn ON Time measurement 4 is set to 230 V.

POWer:POWer<x>:TURNONtime:INPUTSource

This command sets or queries the input source of the specified Turn On Time measurement.

Group	Power
Syntax	POWer:POWer<x>:TURNONtime:INPUTSource POWer:POWer<x>:TURNONtime:INPUTSource?
Arguments	<p>POWer<x> is the power measurement number. This is the equivalent of the number shown on a power measurement badge in the UI.</p> <p>CH<x> is the channel specifier in the range of 1 through 8 and is limited by the number of instrument input channels.</p> <p>REF<x> is the Reference waveform specifier ≥ 1. This is the equivalent of the number shown on a Reference waveform badge in the UI.</p> <p>MATH<x> is the Math waveform specifier ≥ 1. This is the equivalent of the number shown on a Math waveform badge in the UI.</p>
Examples	<p>POWer:POWer1:TURNONtime:INPUTSource CH2 sets the input source of Turn On Time measurement 1 to Channel 2.</p> <p>POWer:POWer2:TURNONtime:INPUTSource? might return POWer:POWer2:TURNONtime:INPUTSource MATH6, indicating that the input source of Turn On Time measurement 2 is Math waveform 6.</p>

POWer:POWer<x>:TURNONtime:MAXTIME

This command sets or returns the maximum turn on time of the specified Turn On Time measurement.

Conditions	Requires option PWR or PS2.
Group	Power
Syntax	POWer:POWer<x>:TURNONtime:MAXTIME <NR3> POWer:POWer<x>:TURNONtime:MAXTIME?
Arguments	POWer<x> is the power measurement number. This is the equivalent of the number shown on a power measurement badge in the UI.

<NR3> is a floating point number that represents the maximum time value, in seconds, in the range 1 second to 500 seconds.

Examples `POWER:POWER3:TURNONtime:MAXTIME 30` sets the maximum time value of Turn On Time measurement 3 to 30 seconds.

`POWER:POWER5:TURNONtime:MAXTIME?` might return
`POWER:POWER5:TURNONtime:MAXTIME 120`, indicating that the maximum time value of Turn On Time measurement 5 is set to 120 seconds.

POWER:POWER<x>:TURNONtime:MAXVoltage

This command sets or returns the maximum voltage setting of the specified Turn On Time measurement.

Conditions Requires option PWR or PS2.

Group Power

Syntax `POWER:POWER<x>:TURNONtime:MAXVoltage <NR3>`
`POWER:POWER<x>:TURNONtime:MAXVoltage?`

Arguments `POWER<x>` is the power measurement number. This is the equivalent of the number shown on a power measurement badge in the UI.

<NR3> is a floating point number that represents the maximum voltage in the range 1 V to 500 V.

Examples `POWER:POWER1:TURNONtime:MAXVoltage 50` sets the maximum voltage value of Turn On Time measurement 1 to 50 volts.

`POWER:POWER4:TURNONtime:MAXVoltage?` might return
`POWER:POWER4:TURNONtime:MAXVoltage 12`, indicating that the maximum voltage value of Turn On Time measurement 4 is set to 12 volts.

POWER:POWER<x>:TURNONtime:NUMOUTputs

This command sets or queries the number of outputs for the specified Turn On Time power measurement.

Conditions Requires option PWR or PS2.

Group	Power
Syntax	<pre> Power:Power<x>:TURNONtime:NUMOUTputs {ONE TWO THREE FOUR FIVE SIX SEVEN} Power:Power<x>:TURNONtime:NUMOUTputs? </pre>
Related Commands	<pre> Power:Power<x>:TURNONtime:INPUTSource Power:Power<x>:TURNONtime:OUTPUT1SOURCE Power:Power<x>:TURNONtime:OUTPUT1VOLTage Power:Power<x>:TURNONtime:OUTPUT2SOURCE Power:Power<x>:TURNONtime:OUTPUT2VOLTage Power:Power<x>:TURNONtime:OUTPUT3SOURCE Power:Power<x>:TURNONtime:OUTPUT3VOLTage Power:Power<x>:TURNONtime:OUTPUT4SOURCE Power:Power<x>:TURNONtime:OUTPUT4VOLTage Power:Power<x>:TURNONtime:OUTPUT5SOURCE Power:Power<x>:TURNONtime:OUTPUT5VOLTage Power:Power<x>:TURNONtime:OUTPUT6SOURCE Power:Power<x>:TURNONtime:OUTPUT6VOLTage Power:Power<x>:TURNONtime:OUTPUT7SOURCE Power:Power<x>:TURNONtime:OUTPUT7VOLTage </pre>
Arguments	<p>Power<x> is the power measurement number. This is the equivalent of the number shown on a power measurement badge in the UI.</p> <p>ONE through SEVEN sets the number of outputs for the specified Turn On Time power measurement.</p>
Examples	<pre> Power:Power1:TURNONtime:NUMOUTputs TWO sets the number of outputs of Turn On Time measurement 1 to two. Power:Power3:TURNONtime:NUMOUTputs? might return Power:Power3:TURNONtime:NUMOUTputs FOUR, indicating that the number of outputs of Turn On Time measurement 3 is set to four inputs. </pre>

POWER:POWER<x>:TURNONtime:OUTPUT1SOURCE

This command sets or queries the output 1 source of the specified Turn On Time measurement.

Conditions Requires option PWR or PS2.

Group Power

Syntax POWER:POWER<x>:TURNONtime:OUTPUT1SOURCE
{CH<x>|REF<x>|MATH<x>}
POWER:POWER<x>:TURNONtime:OUTPUT1SOURCE?

Arguments POWER<x> is the power measurement number. This is the equivalent of the number shown on a power measurement badge in the UI.

CH<x> A channel specifier in the range of 1 through 8 and is limited by the number of instrument input channels.

REF<x> A Reference waveform specifier ≥ 1 . This is the equivalent of the number shown on a Reference waveform badge in the UI.

MATH<x> A Math waveform specifier ≥ 1 . This is the equivalent of the number shown on a Math waveform badge in the UI.

Examples POWER:POWER5:TURNONtime:OUTPUT1SOURCE CH2 sets the output 1 source of Turn On Time measurement 5 to Channel 2.

POWER:POWER1:TURNONTIME:OUTPUT1SOURCE? might return
POWER:POWER1:TURNONTIME:OUTPUT1SOURCE CH4, indicating that the output 1 source of Turn On Time measurement 1 is Channel 4.

POWER:POWER<x>:TURNONtime:OUTPUT1VOLTage

This command sets or queries the output 1 voltage level of the specified Turn On Time power measurement.

Conditions Requires option PWR or PS2.

Group Power

Syntax POWER:POWER<x>:TURNONtime:OUTPUT1VOLTage <NR2>
POWER:POWER<x>:TURNONtime:OUTPUT1VOLTage?

Related Commands	<p>POWER:POWER<x>:TURNONtime:NUMOUTputs</p> <p>POWER:POWER<x>:TURNONtime:OUTPUT1SOURce</p>
Arguments	<p>POWER<x> is the power measurement number. This is the equivalent of the number shown on a power measurement badge in the UI.</p> <p><NR2> sets the output voltage value, in the range of –6,000 volts to +6,000 volts.</p>
Examples	<p>Power:POWER1:TURNONtime:OUTPUT1VOLTage -2550 sets the output 1 voltage value of Turn On Time power measurement 1 to –2,550 volts.</p> <p>Power:POWER3:TURNONtime:OUTPUT1VOLTage? might return Power:POWER3:TURNONtime:OUTPUT1VOLTage 1000, indicating that the output 1 voltage value of Turn On Time power measurement 3 is set to 1,000 volts.</p>

POWER:POWER<x>:TURNONtime:OUTPUT2SOURce

This command sets or queries the output 2 source of the specified Turn On Time measurement.

Conditions	Requires option PWR or PS2.
Group	Power
Syntax	<p>Power:POWER<x>:TURNONtime:OUTPUT2SOURce {CH<x> REF<x> MATH<x>}</p> <p>Power:POWER<x>:TURNONtime:OUTPUT2SOURce?</p>
Arguments	<p>POWER<x> is the power measurement number. This is the equivalent of the number shown on a power measurement badge in the UI.</p> <p>CH<x> A channel specifier in the range of 1 through 8 and is limited by the number of instrument input channels.</p> <p>REF<x> A Reference waveform specifier ≥ 1. This is the equivalent of the number shown on a Reference waveform badge in the UI.</p> <p>MATH<x> A Math waveform specifier ≥ 1. This is the equivalent of the number shown on a Math waveform badge in the UI.</p>
Examples	<p>Power:POWER2:TURNONtime:OUTPUT2SOURce CH2 sets the output 2 source of Turn On Time measurement 2 to Channel 2.</p>

Power:Power1:TURNONtime:OUTPUT2SOURCE? might return
Power:Power1:TURNONtime:OUTPUT2SOURCE CH4, indicating that the output
2 source of Turn On Time measurement 1 is Channel 4.

POWER:POWER<x>:TURNONtime:OUTPUT2VOLTage

This command sets or queries the output 2 voltage level of the specified Turn
On Time power measurement.

Conditions	Requires option PWR or PS2.
Group	Power
Syntax	Power:Power<x>:TURNONtime:OUTPUT2VOLTage <NR2> Power:Power<x>:TURNONtime:OUTPUT2VOLTage?
Related Commands	POWER:POWER<x>:TURNONtime:NUMOUTputs POWER:POWER<x>:TURNONtime:OUTPUT2SOURCE
Arguments	Power<x> is the power measurement number. This is the equivalent of the number shown on a power measurement badge in the UI. <NR2> sets the output voltage value, in the range of –6,000 volts to +6,000 volts.
Examples	Power:Power7:TURNONtime:OUTPUT2VOLTage –2550 sets the output 2 voltage value of Turn On Time power measurement 7 to –2,550 volts. Power:Power1:TURNONtime:OUTPUT2VOLTage? might return Power:Power1:TURNONtime:OUTPUT2VOLTage 120, indicating that the output 2 voltage value of Turn On Time power measurement 1 is set to 120 volts.

POWER:POWER<x>:TURNONtime:OUTPUT3SOURCE

This command sets or queries the output 3 source of the specified Turn On Time
measurement.

Conditions Requires option PWR or PS2.

Group Power

Syntax	<pre>Power:Power<x>:TURNONtime:OUTPUT3SOURCE {CH<x> REF<x> MATH<x>} Power:Power<x>:TURNONtime:OUTPUT3SOURCE?</pre>
Arguments	<p>Power<x> is the power measurement number. This is the equivalent of the number shown on a power measurement badge in the UI.</p> <p>CH<x> A channel specifier in the range of 1 through 8 and is limited by the number of instrument input channels.</p> <p>REF<x> A Reference waveform specifier ≥ 1. This is the equivalent of the number shown on a Reference waveform badge in the UI.</p> <p>MATH<x> A Math waveform specifier ≥ 1. This is the equivalent of the number shown on a Math waveform badge in the UI.</p>
Examples	<p>Power:Power3:TURNONtime:OUTPUT3SOURCE CH2 sets the output 3 source of Turn On Time measurement 3 to Channel 2.</p> <p>Power:Power13:TURNONTIME:OUTPUT3SOURCE? might return Power:Power13:TURNONTIME:OUTPUT3SOURCE REF3, indicating that the output 3 source of Turn On Time measurement 13 is Reference waveform 3.</p>

POWER:POWER<x>:TURNONtime:OUTPUT3VOLTage

This command sets or queries the output 3 voltage level of the specified Turn On Time power measurement.

Conditions	Requires option PWR or PS2.
Group	Power
Syntax	<pre>Power:Power<x>:TURNONtime:OUTPUT3VOLTage <NR2> Power:Power<x>:TURNONtime:OUTPUT3VOLTage?</pre>
Related Commands	<p>POWER:POWER<x>:TURNONtime:NUMOUTputs</p> <p>POWER:POWER<x>:TURNONtime:OUTPUT3SOURCE</p>
Arguments	<p>Power<x> is the power measurement number. This is the equivalent of the number shown on a power measurement badge in the UI.</p> <p><NR2> sets the output voltage value, in the range of -6,000 volts to +6,000 volts.</p>

Examples `Power:Power7:TURNOnTime:OUTPUT3VOLTage -550` sets the output 3 voltage value of Turn On Time power measurement 7 to -550 volts.

`Power:Power3:TURNOnTime:OUTPUT3VOLTage?` might return `Power:Power3:TURNOnTime:OUTPUT3VOLTage -200`, indicating that the output 3 voltage value of Turn On Time power measurement 3 is set to -200 volts.

Power:Power<x>:TURNOnTime:OUTPUT4SOURCE

This command sets or queries the output 4 source of the specified Turn On Time measurement.

Conditions Requires option PWR or PS2.

Group Power

Syntax `Power:Power<x>:TURNOnTime:OUTPUT4SOURCE`
`{CH<x>|REF<x>|MATH<x>}`
`Power:Power<x>:TURNOnTime:OUTPUT4SOURCE?`

Arguments `Power<x>` is the power measurement number. This is the equivalent of the number shown on a power measurement badge in the UI.

`CH<x>` A channel specifier in the range of 1 through 8 and is limited by the number of instrument input channels.

`REF<x>` A Reference waveform specifier ≥ 1 . This is the equivalent of the number shown on a Reference waveform badge in the UI.

`MATH<x>` A Math waveform specifier ≥ 1 . This is the equivalent of the number shown on a Math waveform badge in the UI.

Examples `Power:Power3:TURNOnTime:OUTPUT4SOURCE CH2` sets the output 4 source of Turn On Time measurement 3 to Channel 2.

`Power:Power1:TURNOnTime:OUTPUT4SOURCE?` might return `Power:Power1:TURNOnTime:OUTPUT4SOURCE MATH3`, indicating that the output 4 source of Turn On Time measurement 1 is Math waveform 3.

Power:Power<x>:TURNOnTime:OUTPUT4VOLTage

This command sets or queries the output 4 voltage level of the specified Turn On Time power measurement.

Conditions	Requires option PWR or PS2.
Group	Power
Syntax	<pre>POWER:POWER<x>:TURNONtime:OUTPUT4VOLTage <NR2> POWER:POWER<x>:TURNONtime:OUTPUT4VOLTage?</pre>
Related Commands	<pre>POWER:POWER<x>:TURNONtime:NUMOUTputs POWER:POWER<x>:TURNONtime:OUTPUT4SOURce</pre>
Arguments	<p>POWER<x> is the power measurement number. This is the equivalent of the number shown on a power measurement badge in the UI.</p> <p><NR2> sets the output voltage value, in the range of –6,000 volts to +6,000 volts.</p>
Examples	<pre>POWER:POWER8:TURNONtime:OUTPUT4VOLTage 50</pre> <p>sets the output 4 voltage value of Turn On Time power measurement 8 to 50 volts.</p> <pre>POWER:POWER2:TURNONtime:OUTPUT4VOLTage?</pre> <p>might return</p> <pre>POWER:POWER2:TURNONtime:OUTPUT4VOLTage 1000</pre> <p>indicating that the output 4 voltage value of Turn On Time power measurement 2 is set to 1,000 volts.</p>

POWER:POWER<x>:TURNONtime:OUTPUT5SOURce

This command sets or queries the output 5 source of the specified Turn On Time measurement.

Conditions	Requires option PWR or PS2.
Group	Power
Syntax	<pre>POWER:POWER<x>:TURNONtime:OUTPUT5SOURce {CH<x> REF<x> MATH<x>} POWER:POWER<x>:TURNONtime:OUTPUT5SOURce?</pre>
Arguments	<p>POWER<x> is the power measurement number. This is the equivalent of the number shown on a power measurement badge in the UI.</p> <p>CH<x> A channel specifier in the range of 1 through 8 and is limited by the number of instrument input channels.</p>

REF<x> A Reference waveform specifier ≥ 1 . This is the equivalent of the number shown on a Reference waveform badge in the UI.

MATH<x> A Math waveform specifier ≥ 1 . This is the equivalent of the number shown on a Math waveform badge in the UI.

Examples POWER:Power3:TURNONtime:OUTPUT5SOURCE CH2 sets the output 5 source of Turn On Time measurement 3 to Channel 2.

POWER:Power1:TURNONtime:OUTPUT5SOURCE? might return
POWER:Power1:TURNONtime:OUTPUT5SOURCE CH4, indicating that the output 5 source of Turn On Time measurement 1 is Channel 4.

POWER:POWER<x>:TURNONtime:OUTPUT5VOLTage

This command sets or queries the output 5 voltage level of the specified Turn On Time power measurement.

Conditions Requires option PWR or PS2.

Group Power

Syntax POWER:POWER<x>:TURNONtime:OUTPUT5VOLTage <NR2>
POWER:POWER<x>:TURNONtime:OUTPUT5VOLTage?

Related Commands [POWER:POWER<x>:TURNONtime:NUMOUTputs](#)
[POWER:POWER<x>:TURNONtime:OUTPUT5SOURCE](#)

Arguments POWER<x> is the power measurement number. This is the equivalent of the number shown on a power measurement badge in the UI.

<NR2> sets the output voltage value, in the range of -6,000 volts to +6,000 volts.

Examples POWER:Power2:TURNONtime:OUTPUT5VOLTage -255 sets the output 5 voltage value of Turn On Time power measurement 2 to -250 volts.

POWER:Power3:TURNONtime:OUTPUT5VOLTage? might return
POWER:Power3:TURNONtime:OUTPUT5VOLTage 100, indicating that the output 5 voltage value of Turn On Time power measurement 3 is set to 100 volts.

POWER:POWER<x>:TURNONtime:OUTPUT6SOURce

This command sets or queries the output 6 source of the specified Turn On Time measurement.

Conditions Requires option PWR or PS2.

Group Power

Syntax POWER:POWER<x>:TURNONtime:OUTPUT6SOURce
{CH<x>|REF<x>|MATH<x>}
POWER:POWER<x>:TURNONtime:OUTPUT6SOURce?

Arguments POWER<x> is the power measurement number. This is the equivalent of the number shown on a power measurement badge in the UI.

CH<x> A channel specifier in the range of 1 through 8 and is limited by the number of instrument input channels.

REF<x> A Reference waveform specifier ≥ 1 . This is the equivalent of the number shown on a Reference waveform badge in the UI.

MATH<x> A Math waveform specifier ≥ 1 . This is the equivalent of the number shown on a Math waveform badge in the UI.

Examples POWER:POWER3:TURNONtime:OUTPUT6SOURce CH2 sets the output 6 source of Turn On Time measurement 3 to Channel 2.

POWER:Power8:TURNONTIME:OUTPUT6SOURce? might return
POWER:POWER8:TURNONTIME:OUTPUT6SOURce CH4, indicating that the output 6 source of Turn On Time measurement 8 is set to Channel 4.

POWER:POWER<x>:TURNONtime:OUTPUT6VOLTage

This command sets or queries the output 6 voltage level of the specified Turn On Time power measurement.

Conditions Requires option PWR or PS2.

Group Power

Syntax POWER:POWER<x>:TURNONtime:OUTPUT6VOLTage <NR2>
POWER:POWER<x>:TURNONtime:OUTPUT6VOLTage?

Related Commands [POWER:POWER<x>:TURNONtime:NUMOUTputs](#)
[POWER:POWER<x>:TURNONtime:OUTPUT6SOURCce](#)

Arguments POWER<x> is the power measurement number. This is the equivalent of the number shown on a power measurement badge in the UI.
 <NR2> sets the output voltage value, in the range of –6,000 volts to +6,000 volts.

Examples `POWER:POWER5:TURNONtime:OUTPUT6VOLTage 1550` sets the output 6 voltage value of Turn On Time power measurement 5 to 1,550 volts.
`POWER:POWER2:TURNONtime:OUTPUT6VOLTage?` might return
`POWER:POWER2:TURNONtime:OUTPUT6VOLTage -100`, indicating that the output 6 voltage value of Turn On Time power measurement 2 is set to –100 volts.

POWER:POWER<x>:TURNONtime:OUTPUT7SOURCce

This command sets or queries the output 7 source of the specified Turn On Time measurement.

Conditions Requires option PWR or PS2.

Group Power

Syntax `POWER:POWER<x>:TURNONtime:OUTPUT7SOURCce`
`{CH<x>|REF<x>|MATH<x>}`
`POWER:POWER<x>:TURNONtime:OUTPUT7SOURCce?`

Arguments POWER<x> is the power measurement number. This is the equivalent of the number shown on a power measurement badge in the UI.
 CH<x> A channel specifier in the range of 1 through 8 and is limited by the number of instrument input channels.
 REF<x> A Reference waveform specifier ≥ 1 . This is the equivalent of the number shown on a Reference waveform badge in the UI.
 MATH<x> A Math waveform specifier ≥ 1 . This is the equivalent of the number shown on a Math waveform badge in the UI.

Examples `POWER:POWER3:TURNONtime:OUTPUT6SOURCce CH1` sets the output 7 source of Turn On Time measurement 3 to Channel 1.

Power:Power7:TURNONtime:OUTPUT6SOURCE? might return
 Power:Power7:TURNONtime:OUTPUT6SOURCE REF4, indicating that the
 output 7 source of Turn On Time measurement 7 is set to Reference waveform 4.

POWer:POWer<x>:TURNONtime:OUTPUT7VOLTage

This command sets or queries the output 7 voltage level of the specified Turn On Time power measurement.

Conditions Requires option PWR or PS2.

Group Power

Syntax Power:Power<x>:TURNONtime:OUTPUT7VOLTage <NR2>
 Power:Power<x>:TURNONtime:OUTPUT7VOLTage?

Related Commands [Power:Power<x>:TURNONtime:NUMOUTputs](#)
[Power:Power<x>:TURNONtime:OUTPUT7SOURCE](#)

Arguments Power<x> is the power measurement number. This is the equivalent of the number shown on a power measurement badge in the UI.
 <NR2> sets the output voltage value, in the range of –6,000 volts to +6,000 volts.

Examples Power:Power12:TURNONtime:OUTPUT7VOLTage -2100 sets the output 7 voltage value of Turn On Time power measurement 12 to –2,100 volts.
 Power:Power3:TURNONtime:OUTPUT7VOLTage? might return
 Power:Power3:TURNONtime:OUTPUT7VOLTage 450, indicating that the output 7 voltage value of Turn On Time power measurement 3 is set to 450 volts.

POWer:POWer<x>:TURNONtime:TYPE

This command sets or queries the type of AC/DC converter used in the specified Turn On Time power measurement.

Conditions Requires option PWR or PS2.

Group Power

Syntax	<code>Power:Power<x>:TURNONtime:TYPE {DCDC ACDC}</code> <code>Power:Power<x>:TURNONtime:TYPE?</code>
Arguments	<p><code>Power<x></code> is the power measurement number. This is the equivalent of the number shown on a power measurement badge in the UI.</p> <p>DCDC sets the measurement to use a DC to DC converter.</p> <p>ACDC sets the measurement to use an AC to DC converter.</p>
Examples	<p><code>Power:Power3:TURNONtime:TYPE ACDC</code> sets Turn On time measurement 3 to use an AC to DC converter.</p> <p><code>Power:Power12:TURNONtime:TYPE?</code> might return <code>Power:Power12:TURNONtime:TYPE DCDC</code>, indicating that the converter type for Turn On Time power measurement 12 is set to use a DC-DC converter.</p>

POWER:POWER<x>:TYPE

This command sets or queries the measurement type of the specified power measurement number. If the measurement number does not exist, this command creates a new power measurement, assigns the specified measurement number to the new measurement, and then assigns the measurement type to the new measurement.

Conditions	Requires option PWR or PS2.
Group	Power
Syntax	<code>Power:Power<x>:TYPE <Measurement Type></code> <code>Power:Power<x>:TYPE?</code>
Arguments	<p><code>Power<x></code> is the power measurement number. This is the equivalent of the number shown in the UI for a power measurement badge.</p> <p><code><Measurement Type></code> = CYCLEAmp CYCLEBase CYCLEMAx CYCLEMIn CYCLEPKpk CYCLETop DIDT DVDT EFFICIENCY FREQUENCY HARMONics IMPEDANCE INDUCTANCE INPUTCAP INRUSHcurrent IVSINTEGRALV LINERipple MAGNETICLOSS MAGPROPERTY NDUTYCycle NPULSEWidth PDUTYCycle PERIOD POWERQUALity PPULSEWidth RDSON SOA SWITCHINGLOSS SWITCHINGRipple TURNOFFtime TURNONtime CLRESPONSE PSRR</p>

Examples `Power:Power6:TYPE INDUCTANCE` sets power measurement 6 to be an Inductance measurement.

`Power:Power1:TYPE?` might return `INPUTCAP`, indicating that power measurement 1 is an Input Capacitance measurement.

Power:Power<x>:WRAP:DEGrees

This command sets or returns the phase wrap value for FRA measurements.

Conditions Requires 5-PWR License.

Group Power

Syntax `Power:Power<x>:WRAP:DEGrees NR3`
`Power:Power<x>:WRAP:DEGrees?`

Arguments `Power<x>` is the power measurement number. This is the equivalent of the number shown in the UI for a power measurement badge.

`<NR3>` specifies the phase wrap value for FRA measurements.

Examples `Power:Power1:WRAP:DEGrees 220` sets the phase wrap value for FRA measurements to 220.

`Power:Power1:WRAP:DEGrees?` might return `:Power:Power1:WRAP:DEGrees 220`, indicating that the phase wrap value for FRA measurements is 220 for power measurement 1.

Power:Power<x>:WRAP:STATE

This command sets or returns the phase wrap status for FRA measurements.

Conditions Requires 5-PWR License.

Group Power

Syntax `Power:Power<x>:WRAP:STATE {ON|OFF}`
`Power:Power<x>:WRAP:STATE?`

Arguments	<p>POWER<x> is the power measurement number. This is the equivalent of the number shown in the UI for a power measurement badge.</p> <p>ON specifies that phase wrap has been turned on for FRA measurements.</p> <p>OFF specifies that phase wrap has been turned off for FRA measurements.</p>
Examples	<p>POWER:POWER1:WRAP:STATE ON turns on phase wrap for FRA measurements.</p> <p>POWER:POWER1:WRAP:STATE? might return :POWER:POWER1:WRAP:STATE OFF, indicating that phase wrap has been turned off for FRA measurements for power measurement 1.</p>

*PSC

This command sets and queries the power-on status flag that controls the automatic power-on handling of the DESER, SRER, and ESER registers. When *PSC is true, the DESER register is set to 255 and the SRER and ESER registers are set to 0 at power-on. When *PSC is false, the current values in the DESER, SRER, and ESER registers are preserved in nonvolatile memory when power is shut off and are restored at power-on.

Group	Status and Error
Syntax	<pre>*PSC {<NR1> OFF ON} *PSC?</pre>
Related Commands	<p>DESE</p> <p>*ESE</p> <p>FACTory</p> <p>*RST</p> <p>*SRE</p>
Arguments	<p><NR1> = 0 sets the power-on status clear flag to false, disables the power-on clear and allows the instrument to possibly assert SRQ after power-on; any other value sets the power-on status clear flag to true, enabling the power-on status clear and prevents any SRQ assertion after power on.</p> <p>OFF sets the power-on status clear flag to false, disables the power-on clear and allows the instrument to possibly assert SRQ after power-on.</p> <p>ON sets the power-on status clear flag to true, enabling the power-on status clear and prevents any SRQ assertion after power on.</p>

Examples *PSC 0 sets the power-on status clear flag to false.
 *PSC? might return 1 to indicate that the power-on status clear flag is set to true.

*PUD

This command sets or queries a string of Protected User Data. This data is protected by the PASSWord command. You can modify it only by first entering the correct password. This password is not necessary to query the data.

Group Status and Error

Syntax *PUD {<Block>|<QString>}
 *PUD?

Related Commands [PASSWord](#)

Arguments <Block> is a block containing up to 100 characters.
 <QString> is a string containing up to 100 characters.

Examples *PUD #229This instrument belongs to me stores the string "This instrument belongs to me" in the user protected data area.
 *PUD? might return #221PROPERTY OF COMPANY X.

RECALL:MASK (No Query Form)

This command recalls a saved mask definition from a Mask File. File suffixes can be xml or msk. If the specified mask test already exists the mask associated with that mask test will be replaced, otherwise a new mask test is created.

Conditions Requires option MTM.

Group Mask

Syntax RECALL:MASK <source file>,MASK<x>

- Arguments** MASK<x> is the destination mask.
- <source file> is the source file. The file is expected to be located in a directory relative to the current working directory (specified by [FILESystem:CWD](#)) unless a complete path is specified:
- Complete path specification. If the file argument begins with a drive designator (such as C:), then the file name is interpreted as a full path.
 - Relative path specification. If the file argument begins with "." or "" or has a file path separator appearing anywhere other than the first character position, then the file name is treated as a path that is relative to the current working directory.
- Examples** RECALL:MASK "MaskWD17",MASK1 recalls the mask stored in the file named MASKWD17 and stores it in mask 1. If mask 1 already exists then its mask will be replaced.

RECALL:SESSion (No Query Form)

Restores the state of the instrument, including reference waveforms, from a saved session file.

- Group** Save and Recall
- Syntax** RECALL:SESSion <file_path>
- Arguments** <file_path> is the file path that specifies the location of the specified instrument session file.
- If a file name or path is specified, the file is expected to be located in a directory relative to the current working directory (specified by [FILESystem:CWD](#)) unless a complete path is specified:
- Complete path specification. If the file argument begins with a drive designator (such as C), then the file name is interpreted as a full path.
 - Relative path specification. If the file argument begins with "." or ".." or has a file path separator appearing anywhere other than the first character position, then the file name is treated as a path that is relative to the current working directory.
- Returns** Recalls the instrument session from the specified session file.

Examples `RECALL:SESSION "TEK00000.TSS"` recalls the setup from the file `TEK00000.TSS` in the current working directory.

RECALL:SETUp (No Query Form)

This command (no query form) returns stored or factory settings to the instrument from a copy of the settings stored in memory. This command performs the same function as selecting Recall from the File menu, and then choosing the Setup button.

Group Save and Recall

Syntax `RECALL:SETUp {FACTory|<file_path>}`

Related Commands [FACTory](#)
 [*RST](#)

Arguments `FACTory` restores the factory setup. Performs the same operation as the `:FACTory` command.

`<file_path>` specifies a location for an instrument setup file. `<file path>` is a quoted string that defines the file name and path. If a file name or path is specified, the file is expected to be located in a directory relative to the current working directory (specified by [FILESystem:CWD](#)) unless a complete path is specified:

- Complete path specification. If the file argument begins with drive designator (such as `C:`), then the file name is interpreted as a full path.
- Relative path specification. If the file argument begins with `."` or `.."` or has a file path separator appearing anywhere other than the first character position, then the file name is treated as a path that is relative to the current working directory.

Examples `RECALL:SETUP FACTORY` recalls (and makes current) the instrument setup to its factory defaults.

`RECALL:SETUP "TEK00000.SET"` recalls the setup from the file `TEK00000.SET` in the default directory for setups.

RECALL:WAVEform (No Query Form)

This command recalls a stored waveform to a reference memory location.

Group	Save and Recall
Syntax	RECALL:WAVEform <source file>,<destination>
Arguments	<p><source file> is the source file. The file is expected to be located in a directory relative to the current working directory (specified by FILESystem:CWD) unless a complete path is specified:</p> <ul style="list-style-type: none">■ Complete path specification. If the file argument begins with drive designator (such as C:), then the file name is interpreted as a full path.■ Relative path specification. If the file argument begins with "." or ".." or has a file path separator appearing anywhere other than the first character position, then the file name is treated as a path that is relative to the current working directory. <p><destination> is REF<x> which specifies a reference to create from the recalled waveform data file.</p>
Examples	RECALL:WAVEFORM "TEK00000.ISF", REF1 recalls the waveform stored in the file named TEK00000.ISF from the current directory to reference 1.

REF:ADDNew (No Query Form)

This command adds the specified reference. Argument is of the form "REF<NR1>", where $NR1 \geq 1$.

Group	Vertical
Syntax	REF:ADDNew <QString>
Arguments	<QString> is the specified reference. Argument is of the form "REF<NR1>", where $NR1 \geq 1$.
Examples	REF:ADDNEW "REF2" adds reference 2 to the display.

REF:DELeTe (No Query Form)

Deletes the specified reference. Argument is of the form "REF<NR1>", where $NR1 \geq 1$.

Conditions	Vertical
Group	Vertical
Syntax	REF:DELEte <QString>
Arguments	<QString> is the specified reference. Argument is of the form "REF<NR1>", where $NR1 \geq 1$.
Examples	REF:DELETE "REF2" deletes reference 2 from the display.

REF:LIST? (Query Only)

This command returns a comma separated list of all currently defined references.

Group	Vertical
Syntax	REF:LIST?
Returns	All currently defined references.
Examples	REF:LIST? might return :REF:LIST REF1,REF2 indicating references 1 and 2 are defined.

REF:REF<x>:DESKew

This command sets or queries the deskew value used for the specified reference.

Group	Vertical
Syntax	REF:REF<x>:DESKew <NR3>
Arguments	<NR3> is the deskew value used for the specified reference.

Examples REF:REF1:DESKew -1.5e-9 sets the deskew value to -1.5 ns.
REF:REF1:DESKew? might return :REF:REF1:DESKEW 1.5200E-9 indicating the deskew value is 1.52 ns.

REF:REF<x>:LABel:COLor

This command sets or queries the color of the specified ref label.

Group Vertical

Syntax REF:REF<x>:LABel:COLor <QString>
REF:REF<x>:LABel:COLor?

Arguments <QString> is the label. To return the color to the default color, send an empty string as in this example: :REF:REF1:LABEL:COLOR "".

Examples REF:REF1:LABel:COLor "#FFFF00" sets the font color to yellow.
REF:REF1:LABel:COLor? might return :REF:REF1:LABEL:COLOR "#FF0000" indicating the font color is red.

REF:REF<x>:LABel:FONT:BOLD

This command sets or queries the bold state of the specified reference label.

Group Vertical

Syntax REF:REF<x>:LABel:FONT:BOLD {<NR1>|OFF|ON}
REF:REF<x>:LABel:FONT:BOLD?

Arguments <NR1> = 0 disables bold font; any other value turns this feature on.
OFF disables bold font.
ON enables bold font.

Examples REF:REF1:LABel:FONT:BOLD ON turns on the bold font.
REF:REF1:LABel:FONT:BOLD? might return :REF:REF1:LABEL:FONT:BOLD 0 indicating the bold font is off.

REF:REF<x>:LABel:FONT:ITALic

This command sets or queries the italic state of the specified reference label.

Group Vertical

Syntax REF:REF<x>:LABel:FONT:ITALic {<NR1>|OFF|ON}
REF:REF<x>:LABel:FONT:ITALic?

Arguments <NR1> = 0 disables italic font; any other value turns this feature on.
OFF disables italic font.
ON enables italic font.

Examples REF:REF1:LABel:FONT:ITALic ON turns on the italic font.
REF:REF1:LABel:FONT:ITALic? might return
:REF:REF1:LABel:FONT:ITALIC 0 indicating the italic font is off.

REF:REF<x>:LABel:FONT:SIZE

This command sets or queries the font size of the specified reference label.

Group Vertical

Syntax REF:REF<x>:LABel:FONT:SIZE <NR1>
REF:REF<x>:LABel:FONT:SIZE?

Arguments <NR1> is the font size of the label.

Examples REF:REF1:LABel:FONT:SIZE 20 sets the font size to 20 points.
REF:REF1:LABel:FONT:SIZE? might return :REF:REF1:LABel:FONT:SIZE
14 indicating that the font size is 14 points.

REF:REF<x>:LABel:FONT:TYPE

This command sets or queries the font type of the specified reference label, such as Arial or Times New Roman.

Group	Vertical
Syntax	REF:REF<x>:LABel:FONT:TYPE <QString> REF:REF<x>:LABel:FONT:TYPE?
Arguments	<QString> is the font type.
Examples	REF:REF1:LABel:FONT:TYPE "Monospace" specifies a mono spaced font. REF:REF1:LABel:FONT:TYPE? might return :REF:REF1:LABEL:FONT:TYPE "Frutiger LT Std 55 Roman".

REF:REF<x>:LABel:FONT:UNDERline

This command sets or queries the underline state of the specified reference label.

Group	Vertical
Syntax	REF:REF<x>:LABel:FONT:UNDERline {<NR1> OFF ON} REF:REF<x>:LABel:FONT:UNDERline?
Arguments	<NR1> = 0 disables underline font; any other value turns this feature on. OFF disables underline font. ON enables underline font.
Examples	REF:REF1:LABel:FONT:UNDERline ON turns on the underline font. REF:REF1:LABel:FONT:UNDERline? might return :REF:REF1:LABEL:FONT:UNDERLINE 0 indicating that underline is off.

REF:REF<x>:LABel:NAME

This command sets or queries the label of the specified reference. The reference waveform is specified by x.

Group	Vertical
Syntax	REF:REF<x>:LABel:NAME <QString> REF:REF<x>:LABel:NAME?

Arguments	<QString> is the character string that will be used for the reference waveform label name.
Examples	<p>REF:REF4:LABEL:NAME "My Reference" sets the label name of Reference 4 waveform to "My Reference".</p> <p>REF:REF3:LABEL:NAME? might return :REF:REF3:LABEL:NAME "Signal2", indicating that the label name for Reference 3 waveform is currently set to "Signal2".</p>

REF:REF<x>:LABel:XPOS

This command sets or queries the X-position at which the label (attached to the displayed waveform of the specified reference) is displayed, relative to the left edge of the waveview. The reference waveform is specified by x.

Group	Vertical
Syntax	<pre>REF:REF<x>:LABel:XPOS <NR1> REF:REF<x>:LABel:XPOS?</pre>
Arguments	<NR1> is the location (control in divisions) where the waveform label for the selected reference is displayed, relative to the left edge of the screen.
Examples	<p>REF:REF4:LABEL:XPOS 10 moves the waveform label for the Reference 3 waveform, so that it begins 10 divisions to the right of the left edge of the screen.</p> <p>REF:REF2:LABEL:XPOS? might return :REF:REF2:LABEL:XPOS 1.5, indicating that the x-axis for the Reference 2 waveform is currently 1.5 divisions to the right of the left edge of the screen.</p>

REF:REF<x>:LABel:YPOS

This command sets or queries the Y-position of the label (attached to the displayed waveform of the specified reference), relative to the baseline of the waveform. The reference waveform is specified by x.

Group	Vertical
Syntax	<pre>REF:REF<x>:LABel:YPOS <NR1> REF:REF<x>:LABel:YPOS?</pre>

- Arguments** <NR1> is the location where the waveform label for the selected reference is displayed, relative to the baseline of the waveform.
- Examples** REF:REF3:LABEL:YPOS -10 moves the waveform label for the Reference 3 waveform 10 vertical units below the baseline of the waveform.
- REF:REF2:LABEL:YPOS? might return :REF:REF2:LABEL:YPOS 0, indicating that the waveform label for the Reference 2 waveform is currently located at the baseline of the waveform.

REF:REF<x>:SOUrce

This command sets or queries the filename used by the given reference.

- Group** Vertical
- Syntax** REF:REF<x>:SOUrce <QString>
- Arguments** <QString> is the reference file name.
- Examples** REF:REF1:SOUrce
"/home/guest/.local/share/Tektronix/TekScope/
FirstRecalledSession/161012_132000_000.wfm" sets the source of
the reference.
- REF:REF1:SOUrce? might return :REF:REF1:SOUrce
"/home/guest/.local/share/Tektronix/TekScope/
LastRecalledSession/161012_132039_000.wfm".

REF<x>_DALL:LABel:COLor

This command sets or queries the color of the specified digital group. The reference is specified by x.

- Group** Digital
- Syntax** REF<x>_DALL:LABel:COLor <QString>
REF<x>_DALL:LABel:COLor?

Arguments <QString> is the color of the digital group label. To return the color to the default color, send an empty string as in this example: `:REF5_DALL:LABEL:COLOR ""`.

Examples `REF1_DALL:LABEL:COLOR "#FF0000"` sets the font color to red.
`REF1_DALL:LABEL:COLOR?` might return `:REF1_DALL:LABEL:COLOR "#FFFF00"` indicating the font color is yellow.

REF<x>_DALL:LABEL:FONT:BOLD

This command sets or queries the bold state of the specified digital group. The reference is specified by x.

Group Digital

Syntax `REF<x>_DALL:LABEL:FONT:BOLD {ON|OFF|<NR1>}`
`REF<x>_DALL:LABEL:FONT:BOLD?`

Arguments OFF argument turns off bold font.
 ON argument turns on bold font.
 <NR1> = 0 turns off bold font; any other value turns on bold font.

Examples `REF1_DALL:LABEL:FONT:BOLD ON` sets the font to bold.
`REF1_DALL:LABEL:FONT:BOLD?` might return `:REF1_DALL:LABEL:FONT:BOLD 0` indicating the font is not bold.

REF<x>_DALL:LABEL:FONT:ITALIC

This command sets or queries the italic state of the specified digital group. The reference is specified by x.

Group Digital

Syntax `REF<x>_DALL:LABEL:FONT:ITALIC {ON|OFF|<NR1>}`
`REF<x>_DALL:LABEL:FONT:ITALIC?`

Arguments OFF argument turns off italic font.
 ON argument turns on italic font.

<NR1> = 0 turns off italic font; any other value turns on italic font.

Examples REF1_DALL:LABE1:FONT:ITALIC 1 turns on italic font.
REF1_DALL:LABE1:FONT:ITALIC? might return
:REF1_DALL:LABEL:FONT:ITALIC 0 indicating the font is not italic.

REF<x>_DALL:LABE1:FONT:SIZE

This command sets or queries the font size of the specified digital group. The reference is specified by x.

Group Digital

Syntax REF<x>_DALL:LABE1:FONT:SIZE <NR1>
REF<x>_DALL:LABE1:FONT:SIZE?

Arguments <NR1> is the font size.

Examples REF1_DALL:LABE1:FONT:SIZE 16 sets the font size to 16 points.
REF1_DALL:LABE1:FONT:SIZE? might return
:REF1_DALL:LABEL:FONT:SIZE 20 indicating the font size is 20 points.

REF<x>_DALL:LABE1:FONT:TYPE

This command sets or queries the font type of the specified digital group, such as Arial or Times New Roman. The reference is specified by x.

Group Digital

Syntax REF<x>_DALL:LABE1:FONT:TYPE <QString>
REF<x>_DALL:LABE1:FONT:TYPE?

Arguments <QString> is the font type.

Examples REF1_DALL:LABE1:FONT:TYPE "Monospace" sets the font to a monospace font.

```
REF1_DALL:LABel:FONT:TYPE? might return
:REF1_DALL:LABEL:FONT:TYPE "Frutiger LT Std 55 Roman".
```

REF<x>_DALL:LABel:FONT:UNDERline

This command sets or queries the underline state of the specified digital group. The reference is specified by x.

Group	Digital
Syntax	REF<x>_DALL:LABel:FONT:UNDERline {ON OFF <NR1>} REF<x>_DALL:LABel:FONT:UNDERline?
Arguments	OFF argument turns off underline font. ON argument turns on underline font. <NR1> = 0 turns off underline font; any other value turns on underline font.
Examples	REF1_DALL:LABel:FONT:UNDERline ON specifies an underlined font. REF1_DALL:LABel:FONT:UNDERline? might return :REF1_DALL:LABEL:FONT:UNDERLINE 0 indicating underline is off.

REF<x>_DALL:LABel:NAME

This command sets or queries the label of the specified digital group. The reference is specified by x.

Group	Digital
Syntax	REF<x>_DALL:LABel:NAME <QString> REF<x>_DALL:LABel:NAME?
Arguments	<QString> is the name of the group.
Examples	REF1_DALL:LABel:NAME "Clock Out" sets the label name to Clock Out. REF1_DALL:LABel:NAME? might return :REF1_DALL:LABEL:NAME "This is the digital name".

REF<x>_DALL:LABel:XPOS

This command sets or queries the x-position of the label of the specified digital group. The reference is specified by x.

Group	Digital
Syntax	REF<x>_DALL:LABel:XPOS <NR3> REF<x>_DALL:LABel:XPOS?
Arguments	<NR3> is the x-position, in pixels relative to the left edge of the display, of the group.
Examples	REF1_DALL:LABel:XPOS 90.0e0 sets the x position of the label to 90. REF1_DALL:LABel:XPOS? might return :REF1_DALL:LABEL:XPOS 45.0000 indicating the x position of the label is at 45 pixels to the right of the left edge of the display.

REF<x>_DALL:LABel:YPOS

This command sets or queries the y-position of the label of the specified digital group. The reference is specified by x.

Group	Digital
Syntax	REF<x>_DALL:LABel:YPOS <NR3> REF<x>_DALL:LABel:YPOS?
Arguments	<NR3> is the y-position, in pixels relative to the baseline of the waveform, of the group.
Examples	REF1_DALL:LABel:YPOS 50 sets the y position to 50. REF1_DALL:LABel:YPOS? might return :REF1_DALL:LABEL:YPOS 0.0E+0 indicating the y position of the label is at the baseline of the waveform.

REF<x>_D<x>:LABel:COLor

This command sets or queries the color of the label of the specified digital bit. The reference is specified by x.

Group	Digital
Syntax	REF<x>_D<x>:LABeL:COLor <QString> REF<x>_D<x>:LABeL:COLor?
Arguments	<QString> is the label color. To return the color to the default color, send an empty string as in this example: :REF5_D1:LABEL:COLOR "".
Examples	REF1_D1:LABeL:COLor "#FF0000" sets the color to red. REF1_D1:LABeL:COLor? might return :REF1_D1:LABEL:COLOR "#FFFF00" indicating the color is yellow.

REF<x>_D<x>:LABeL:FONT:BOLD

This command sets or queries the bold state of the label of the specified digital bit. The reference is specified by x.

Group	Digital
Syntax	REF<x>_D<x>:LABeL:FONT:BOLD {ON OFF <NR1>} REF<x>_D<x>:LABeL:FONT:BOLD?
Arguments	OFF argument turns off bold font. ON argument turns on bold font. <NR1> = 0 turns off bold font; any other value turns on bold font.
Examples	REF1_D1:LABeL:FONT:BOLD ON sets the font to bold. REF1_D1:LABeL:FONT:BOLD? might return :REF1_D1:LABEL:FONT:BOLD 0 indicating the font is not bold.

REF<x>_D<x>:LABeL:FONT:ITALic

This command sets or queries the italic state of the label of the specified digital bit. The reference is specified by x.

Group	Digital
--------------	---------

Syntax REF<x>_D<x>:LABeł:FONT:ITAlıc {ON|OFF|<NR1>}
REF<x>_D<x>:LABeł:FONT:ITAlıc?

Arguments OFF argument turns off italic font.
ON argument turns on italic font.
<NR1> = 0 turns off italic font; any other value turns on italic font.

Examples REF1_D1:LABeł:FONT:ITAlıc OFF turns off italic font.
REF1_D1:LABeł:FONT:ITAlıc? might return
:REF1_D1:LABEL:FONT:ITALIC 1 indicating the font is italic.

REF<x>_D<x>:LABeł:FONT:SIZE

This command sets or queries the font size of the label of the specified digital bit. The reference is specified by x.

Group Digital

Syntax REF<x>_D<x>:LABeł:FONT:SIZE <NR1>
REF<x>_D<x>:LABeł:FONT:SIZE?

Arguments <NR1> is the font size.

Examples REF1_D1:LABeł:FONT:SIZE 16 sets the font size to 16 points.
REF1_D1:LABeł:FONT:SIZE? might return :REF1_D1:LABEL:FONT:SIZE
20 indicating the font size is 20 points.

REF<x>_D<x>:LABeł:FONT:TYPE

This command sets or queries the font type of the label of the specified digital bit, such as Arial or Times New Roman. The reference is specified by x.

Group Digital

Syntax REF<x>_D<x>:LABeł:FONT:TYPE <QString>
REF<x>_D<x>:LABeł:FONT:TYPE?

Arguments <QString> is the font type of the label.

Examples REF1_D1:LABel:FONT:TYPE "Monospace" sets the font to Monospace.
 CHREF1_D1:LABel:FONT:TYPE? might return :REF1_D1:LABEL:FONT:TYPE
 "Frutiger LT Std 55 Roman".

REF<x>_D<x>:LABel:FONT:UNDERline

This command sets or queries the underline state of the label of the specified digital bit. The reference is specified by x.

Group Digital

Syntax REF<x>_D<x>:LABel:FONT:UNDERline {ON|OFF|<NR1>}
 REF<x>_D<x>:LABel:FONT:UNDERline?

Arguments OFF argument turns off underline font.
 ON argument turns on underline font.
 <NR1> = 0 turns off underline font; any other value turns on underline font.

Examples REF1_D1:LABel:FONT:UNDERline ON turns on underline font.
 REF1_D1:LABel:FONT:UNDERline? might return
 :REF1_D1:LABEL:FONT:UNDERLINE 0 indicating the underline font is off.

REF<x>_D<x>:LABel:NAME

Sets or queries the label of the specified digital bit. The channel is specified by x.

Group Digital

Syntax REF<x>_D<x>:LABel:NAME <QString>
 REF<x>_D<x>:LABel:NAME?

Arguments <QString> is the label.

Examples REF1_D1:LABE1:NAME "Clock in" sets the name to Clock in.
REF1_D1:LABE1:NAME? might return :REF1_D1:LABEL:NAME "Digital 1".

REF<x>_D<x>:LABE1:XPOS

This command sets or queries the x-position of the label of the specified digital bit. The reference is specified by x.

Group Digital

Syntax REF<x>_D<x>:LABE1:XPOS <NR3>
REF<x>_D<x>:LABE1:XPOS?

Arguments <NR3> is the x-position, in pixels relative to the left edge of the display, of the label.

Examples REF1_D1:LABE1:XPOS 90 sets the x position to 90.
REF1_D1:LABE1:XPOS? might return :REF1_D1:LABEL:XPOS 45.0000
indicating the position is 45 pixels to the right of the left edge of the waveform.

REF<x>_D<x>:LABE1:YPOS

This command sets or queries the y-position of the label of the specified digital bit. The channel is specified by x.

Group Digital

Syntax REF<x>_D<x>:LABE1:YPOS <NR3>
REF<x>_D<x>:LABE1:YPOS?

Arguments <NR3> is the y-position, in pixels relative to the baseline of the waveform, of the label.

Examples REF1_D1:LABE1:YPOS 10 sets the y position to 10.
REF1_D1:LABE1:YPOS? might return :REF1_D1:LABEL:YPOS 0.0E+0
indicating the y position of the label is at the baseline of the waveform.

REM (No Query Form)

This command (no query form) embeds a comment within programs as a means of internally documenting the programs. This is how to embed comments in a .set file. The instrument ignores these embedded comment lines.

Group	Miscellaneous
Syntax	REM <QString>
Arguments	<QString> is a string that can contain a maximum of 80 characters.
Examples	REM "This is a comment" is a comment string that the instrument will ignore.

ROSc:SOUrce

This command sets or queries the selected source for the time base reference oscillator. The reference oscillator locks to this source. Depending on the command argument that you specify, you can use an external reference or use the internal crystal oscillator as the time base reference.

Group	Miscellaneous
Syntax	ROSc:SOUrce {INTERNAL EXTERNAL TRACKing} ROSc:SOUrce?
Related Commands	ROSc:STATE?
Arguments	INTERNAL specifies the internal 10 MHz crystal oscillator as the time base reference. EXTERNAL specifies the user-supplied external signal at ± 1 ppm as the time base reference. TRACKing specifies the user-supplied external signal at ± 1000 ppm as the time base reference.
Examples	ROSc:SOURCE INTERNAL specifies the internal 10 MHz crystal oscillator as the time base reference.

ROSC:SOURCE? might return :ROSC:SOURCE INTERNAL, indicating that the 10 MHz crystal oscillator is being used as the time base reference.

ROSc:STATE? (Query Only)

This query-only command returns whether the time base reference oscillator is locked. This command will return either LOCKED or UNLOCKED.

Group	Miscellaneous
Syntax	ROSC:STATE?
Returns	LOCKED indicates the reference oscillator is locked. UNLOCKED indicates the reference oscillator is not locked.
Examples	ROSC:STATE? might return :ROSC:STATE LOCKED, indicating that the time base reference is locked.

*RST (No Query Form)

This command (no query form) resets the instrument to the factory default settings.

This command does the following:

- Recalls the default instrument setup.
- Clears the current *DDT command.
- Disables aliases (:ALIAS:STATE 0).
- Disables the user password (for the *PUD command).

The *RST command does not change the following:

- The current working directory (:FILESystem:CWD command).
- The state of command headers (:HEADer command).
- The state of keyword and enumeration verbosity (:VERBOse command).
- The Power-on Status Clear Flag (*PSC command).
- The Event Status Enable Register (*ESE command).
- The Service Request Enable Register (*SRE command).
- The Device Event Status Enable Register (DESE command).
- The user password for protected user data (:PASSWOrd command).
- The content of protected user data (*PUD command).
- The enabled state of the socket server (:SOCKETServer:ENAbLe command).
- The socket server port number (:SOCKETServer:PORT command).
- The socket server protocol (:SOCKETServer:PROTOCOl command).
- The USBTMC port configuration (:USBDeviCe:CONFIgure command).
- The destination reference waveform or file path for the :CURVe command (:DATA:DESTInation command).
- The source waveform for the :CURVe? or :WAVFrm? queries (:DATA:SOURce command).
- The waveform data encoding for the :CURVe command or query or the :WAVFrm? query (:DATA:ENCdg command).
- The starting point for :CURVe? queries (:DATA:STARt command).
- The ending point for :CURVe? queries (:DATA:STOP command).
- All settings associated the :WFMIpre commands.
- All user settable settings associated with the WFMOutpre commands.

*RST only resets the programmable interface settings, it does not change the user interface settings.

Group Status and Error

Syntax *RST

Related Commands [FACtory](#)
[RECAIl:SETUp](#)

Arguments None

Examples *RST resets the instrument settings to factory defaults.

SAVE:EVENTtable:BUS (No Query Form)

This command saves bus results table to the specified file.

Group Save and Recall

Syntax SAVE:EVENTtable:BUS <QString>

Arguments <QString> is the specified file. If a file name or path is specified, the file is expected to be located in a directory relative to the current working directory (specified by [FILESystem:CWD](#)) unless a complete path is specified.

- Complete path specification. If the file argument begins with drive designator (such as C:), then the file name is interpreted as a full path.
- Relative path specification. If the file argument begins with "." or ".." or has a file path separator appearing anywhere other than the first character position, then the file name is treated as a path that is relative to the current working directory.

Examples SAVE:EVENTtable:BUS "TEK000.CSV" saves the bus decode event table in the file named TEK000.CSV.

SAVE:EVENTtable:CUSTom (No Query Form)

This command saves the results table to the specified file path and name.

Group Save and Recall

Syntax SAVE:EVENTtable:CUSTom <QString>

Arguments <QString> is the specified file. If a file name or path is specified, the file is expected to be located in a directory relative to the current working directory (specified by [FILESystem:CWD](#)) unless a complete path is specified.

- Complete path specification. If the file argument begins with drive designator (such as C:), then the file name is interpreted as a full path.
- Relative path specification. If the file argument begins with "." or ".." or has a file path separator appearing anywhere other than the first character position, then the file name is treated as a path that is relative to the current working directory.

Examples `SAVE:EVENTtable:CUSTOM "C:/TEK000.CSV"` sets the instrument to save the results table in the top level C: directory in a file named TEK000.CSV.

SAVE:EVENTtable:CUSTOM:COMMENTS

This command sets or queries comments to be included in saved results table files.

Group Save and Recall

Syntax `SAVE:EVENTtable:CUSTOM:COMMENTS <QString>`
`SAVE:EVENTtable:CUSTOM:COMMENTS?`

Arguments `<QString>` sets the instrument to save the quoted string as a comment in the saved results table file.

Examples `SAVE:EVENTtable:CUSTOM:COMMENTS "PSRR batch 2 testing."` sets the instrument to save the quoted string in all following saved results table files.

`SAVE:EVENTtable:CUSTOM:COMMENTS?` might return "", indicating that there is no comment set to be saved in results table files.

SAVE:EVENTtable:CUSTOM:DATAFormat

This command sets or queries the data format to use for saving results table data.

Group Save and Recall

Syntax `SAVE:EVENTtable:CUSTOM:DATAFormat [SCIENTIFIC|ENGINEERING]`
`SAVE:EVENTtable:CUSTOM:DATAFormat?`

Arguments `SCIENTIFIC` sets the instrument to save results tables data in scientific notation (for example, 5.0100E-12).

ENGINEERING sets the instrument to save results tables data in engineering notation (for example, 5.0100ps).

- Examples** `SAVE:EVENTtable:CUSTOM:DATAFormat SCIENTific` sets the instrument to save results tables data in scientific notation.
- `SAVE:EVENTtable:CUSTOM:DATAFormat?` might return **ENGINEERING**, indicating that the instrument is set to save results tables data in engineering notation.

SAVE:EVENTtable:CUSTOM:INCLUDEREFs

This command sets or queries whether to include displayed reference waveforms with saved results table files.

- Group** Save and Recall
- Syntax** `SAVE:EVENTtable:CUSTOM:INCLUDEREFs {1|0}`
`SAVE:EVENTtable:CUSTOM:INCLUDEREFs?`
- Arguments** `1` sets the instrument to save all displayed reference waveforms as part of a saved results table file.
- `0` sets the instrument to not save all displayed reference waveforms as part of a saved results table file.
- Examples** `SAVE:EVENTtable:CUSTOM:INCLUDEREFs 1` sets the instrument to save all displayed reference waveforms as part of a saved results table file.
- `SAVE:EVENTtable:CUSTOM:INCLUDEREFs?` might return `0`, indicating that the instrument will not save all displayed reference waveforms as part of a saved results table file.

SAVE:EVENTtable:MEASUREMENT (No Query Form)

This command saves data (measurement) results to the specified file.

- Group** Save and Recall
- Syntax** `SAVE:EVENTtable:MEASUREMENT <QString>`

- Arguments** <QString> is the specified file. If a file name or path is specified, the file is expected to be located in a directory relative to the current working directory (specified by [FILESystem:CWD](#)) unless a complete path is specified:
- Complete path specification. If the file argument begins with drive designator (such as C:), then the file name is interpreted as a full path.
 - Relative path specification. If the file argument begins with "." or ".." or has a file path separator appearing anywhere other than the first character position, then the file name is treated as a path that is relative to the current working directory.

Examples `SAVE:EVENTtable:MEASUREMENT "TEK000.CSV"` saves the measurement in the file named TEK000.CSV.

SAVE:EVENTtable:PEAKS (No Query Form)

This command saves peak markers results table to the specified file.

Group Save and Recall

Syntax `SAVE:EVENTtable:PEAKS <QString>`

- Arguments** <QString> is the specified file. If a file name or path is specified, the file is expected to be located in a directory relative to the current working directory (specified by [FILESystem:CWD](#)) unless a complete path is specified:
- Complete path specification. If the file argument begins with drive designator (such as C:), then the file name is interpreted as a full path.
 - Relative path specification. If the file argument begins with "." or ".." or has a file path separator appearing anywhere other than the first character position, then the file name is treated as a path that is relative to the current working directory.

Examples `SAVE:EVENTtable:PEAKS "TEK000.CSV"` saves the peak markers table in the file named TEK000.CSV.

SAVE:EVENTtable:SEARCHTable (No Query Form)

This command saves a search results table to the specified file.

Group Save and Recall

Syntax SAVE:EVENTtable:SEARCHTable <QString>

Arguments <QString> is the specified file. If a file name or path is specified, the file is expected to be located in a directory relative to the current working directory (specified by [FILESystem:CWD](#)) unless a complete path is specified:

- Complete path specification. If the file argument begins with drive designator (such as C:), then the file name is interpreted as a full path.
- Relative path specification. If the file argument begins with "." or ".." or has a file path separator appearing anywhere other than the first character position, then the file name is treated as a path that is relative to the current working directory.

Examples SAVE:EVENTtable:SEARCHTable
"C:\Users\Tek_Local_Admin\Tektronix\TekScope\Results
Tables\Tek002.csv" saves the search results table in the file named
TEK002.CSV.

SAVE:IMAGe (No Query Form)

Saves a capture of the screen contents to the specified image file. Supported image formats are PNG, Windows Bitmap, and JPEG.

Group Save and Recall

Syntax SAVE:IMAGe <QString>

Arguments <QString> is the file name and location used to store the image file.

When specifying the file name with this command, use the correct file extension (".png" for PNG format, ".bmp" for BMP format, or ".jpg" for JPEG format). If a file name or path is specified, the file is expected to be located in a directory relative to the current working directory (specified by :FILESystem:CWD[FILESystem:CWD](#)) unless a complete path is specified:

- Complete path specification. If the file argument begins with drive designator (such as C:), then the file name is interpreted as a full path.
- Relative path specification. If the file argument begins with "." or ".." or has a file path separator appearing anywhere other than the first character position, then the file name is treated as a path that is relative to the current working directory.

Examples `SAVE:IMAGE "C:/Dut12-tests.png"` saves the image at the location specified.

SAVe:IMAGe:COMPosition

Sets or queries the color mode for saved images (normal or inverted).

Group Save and Recall

Syntax `SAVe:IMAGe:COMPosition {NORMAl|INVERTed}`
`SAVe:IMAGe:COMPosition?`

Arguments `NORMAl` Sets the saved screen capture to Normal colors.
`INVERTed` sets the saved screen capture to Inverted colors.

Examples `SAVe:IMAGe:COMPOSITION NORMAl` saves the screen image using the current normal color settings.
`SAVe:IMAGe:COMPOSITION?` might return `INVERTED`, indicating that captured screen images will be saved using the inverted color settings.

SAVe:IMAGe:VIEWTYpe

Sets or queries the view type for saved images. Currently only `FULLScreen` is supported.

Group Save and Recall

Syntax `SAVe:IMAGe:VIEWTYpe {FULLScreen}`
`SAVe:IMAGe:VIEWTYpe?`

Arguments `FULLScreen` sets the screen capture mode to capture the full screen.

Examples `SAVe:IMAGe:VIEWTYPE FULLScreen` sets the screen capture mode to capture the full screen.
`SAVe:IMAGe:VIEWTYPE?` might return `FULLScreen`, indicating that the screen capture mode is set to full screen.

SAVE:MASK (No Query Form)

Saves the given Waveview Mask to the specified file. Use the format [`<path>`]"`<filename><.ext>`" for the argument. Specifying a path is optional. If no path is entered, the file is saved to the current working directory set by FILESystem:CWD.

`<path>` uses the form "`<drive>/<dir>.../`". You can specify a relative path or a complete path:

- **Relative path specification:** If the file argument begins with "." or ".." or has a file path separator appearing anywhere other than the first character position, then the file name is treated as a path that is relative to the current working directory.

Complete path specification: If the file argument begins with a file path separator (forward slash character) or a drive designator (such as C:), then the file name is interpreted as a full path from the specified drive.

`<filename>` sets the file name to use to create the file. A file can have up to 125 characters.

`<.ext>` sets the file format for saving the mask data. Segment-based masks must be saved with a .xml extension, while tolerance masks must be saved with a .tol extension.

Group Save and Recall

Syntax SAVE:MASK `<QString>`

Related Commands [FILESystem:CWD](#)
[RECALL:MASK](#)

Arguments `<QString>` is a quoted string that defines the path and file name used to save the specified file, in the format [`<path>`]"`<filename><.ext>`".

Examples SAVE:MASK MASK2, "DataMask.xml" saves the Mask2 segment mask to the designated file in the current working directory.

SAVE:PLOTData (No Query Form)

Saves the plot data of the currently selected plot to a specified file. Supported file format is CSV.

When specifying the file name with this command, use the correct file extension (.CSV). If a file name or path is specified, the file is expected to be located in a directory relative to the current working directory (specified by [FILESystem:CWD](#)) unless a complete path is specified.

If the file argument begins with a drive designator (such as C:), then the file name is interpreted as a full path. If the file argument begins with "." or "\", or has a file path separator appearing anywhere other than the first character position, then the file name is treated as a path that is relative to the current working directory.

To export an eye diagram plot data to a .csv file, the prerequisite command is `MEASUREMENT:ADDMEAS TIE`

Group Save and Recall

Syntax `SAVE:PLOTData <QString>`

Related Commands [DISplay:SElect:VIEW](#)
[FILESystem:CWD](#)

Arguments `<QString>` sets the file name and location used to store the plot data.

Examples `SAVE:PLOTDATA "plot1.csv"` saves the plot to the designated file in the current working directory.

The following is the example of exporting an XY plot data to a .csv file:

```
PLOT:PLOT1:TYPE XY
```

```
DISplay:SElect:VIEW PLOTVIEW1
```

```
SAVE:PLOTData "C:/plot1.csv" (On standard instruments)
```

```
SAVE:PLOTData "C:\Temp\plot1.csv" (On instruments with optional Windows 10)
```

SAVE:REPOrt (No Query Form)

This command saves a report to the specified file. Supported report formats are PDF and MHT (web page archive file).

Group Save and Recall

Syntax `SAVE:REPOrt <QString>`

Related Commands [SAVe:REPOrt:COMMeNts](#)

- Arguments** <QString> is the complete path specification. When specifying the file name with this command, use the correct file extension (.pdf for PDF format, or .mht for MHT format).
- If a file name or path is specified, the file is expected to be located in a directory relative to the current working directory (specified by [FILESystem:CWD](#)) unless a complete path is specified:
- Complete path specification. If the file argument begins with a file path separator (forward slash character) or a Windows drive designator such as C:), then the file name is interpreted as a full path.
 - Relative path specification. If the file argument begins with "." or ".." or has a file path separator appearing anywhere other than the first character position, then the file name is treated as a path that is relative to the current working directory.
- Examples** `SAVE:REPORT "report.pdf"` creates a report in PDF format, in the location specified.

SAVe:REPOrt:COMMeNts

This command sets or queries the comments to be included in saved report files.

- Group** Save and Recall
- Syntax** `SAVe:REPOrt:COMMeNts <QString>`
`SAVe:REPOrt:COMMeNts?`
- Arguments** <QString> is the comments to be included in saved report files.
- Examples** `SAVE:REPORT:COMMENTS "Test 3"` adds comments to the report.
- `SAVE:REPORT:COMMENTS?` might return `:SAVE:REPORT:COMMENTS "High Temp Test 1"`.

SAVe:SESSion (No Query Form)

Saves the state of the instrument, including reference waveforms, to a saved session file.

Group	Save and Recall
Syntax	SAVE:SESSION <QString>
Arguments	<p><QString> is the file path that specifies the location to save the specified instrument session file. If a file name or path is specified, the file is expected to be located in a directory relative to the current working directory (specified by FILESystem:CWDFILESystem:CWD) unless a complete path is specified:</p> <ul style="list-style-type: none">■ Complete path specification. If the file argument begins with a file path separator (forward slash character) or a Windows drive designator such as C:), then the file name is interpreted as a full path.■ Relative path specification. If the file argument begins with "." or ".." or has a file path separator appearing anywhere other than the first character position, then the file name is treated as a path that is relative to the current working directory.
Examples	SAVE:SESSION "c:/rose_was_here.tss" saves the instrument state in the specified file.

SAVE:SETUp (No Query Form)

Saves the current instrument state to the specified file.

Group	Save and Recall
Syntax	SAVE:SETUp <QString>
Related Commands	SAVE:SETUp:INCLUDEREFs
Arguments	<p><QString> is a quoted string that is the complete path specification. If a file name or path is specified, the file is expected to be located in a directory relative to the current working directory (specified by FILESystem:CWD) unless a complete path is specified:</p>

- Complete path specification. If the file argument begins with a file path separator (forward slash character) or a Windows drive designator such as C:), then the file name is interpreted as a full path.
- Relative path specification. If the file argument begins with "." or ".." or has a file path separator appearing anywhere other than the first character position, then the file name is treated as a path that is relative to the current working directory.

Examples `SAVE:SETUP "c:/rose_was_here.set"` saves the instrument setup in the specified file.

SAVE:SETUp:INCLUDEREFs

This command sets or queries whether displayed reference waveforms are to be included in saved setups.

Group Save and Recall

Syntax `SAVE:SETUp:INCLUDEREFs {OFF|ON|0|1}`
`SAVE:SETUp:INCLUDEREFs?`

Arguments OFF specifies not including displayed reference waveforms in saved setups.
ON specifies including displayed reference waveforms in saved setups.
0 specifies not including displayed reference waveforms in saved setups.
1 specifies including displayed reference waveforms in saved setups.

Examples `SAVE:SETUp:INCLUDEREFs 0` sets reference waveforms not to be included in saved setups.

`SAVE:SETUp:INCLUDEREFs?` might return `:SAVE:SETUp:INCLUDEREFs 1` indicating that reference waveforms are to be included in saved setups.

SAVE:WAVEform (No Query Form)

This command saves the specified waveform(s) to the specified destination file. The waveform source or sources must be active (turned on) to save data to a file.

Conditions `_MAG_VS_TIME`, `_FREQ_VS_TIME`, `_PHASE_VS_TIME`, and `_SV_BASEBAND_IQ` require option SV-RFVT.

Option SV-RFVT on the 4 Series MSO instruments requires option SV-BAS.

Group Save and Recall

Syntax `SAVe:WAVEform`
`{CH<x>[_DALL|_SV_NORMa1|_SV_AVErage|_SV_MAXHo1d|`
`_SV_MINHo1d|_MAG_VS_TIME|_FREQ_VS_TIME|_PHASE_VS_TIME|`
`_SV_BASEBAND_IQ]|MATH<x>|REF<x>|ALL| },<QString>`

Related Commands [FILESystem:CWD](#)
[SAVe:WAVEform:SOURCEList?](#)

Arguments CH<x> is the number of the analog channel waveform source used to save the waveform data.

MATH<x> is the number of the math waveform source used to save the waveform data.

REF<x> is the number of the reference waveform source used to save the waveform data.

_DALL saves the digital channel waveform data of the specified channel. This argument is required if the channel specified is a digital channel.

_SV_NORMa1 saves the Normal Spectrum view waveform of the specified channel.

_SV_AVErage saves the Average Spectrum view waveform of the specified channel.

_SV_MAXHo1d saves the Maximum Hold Spectrum view waveform of the specified channel.

_SV_MINHo1d saves the Minimum Hold Spectrum view waveform of the specified channel.

_MAG_VS_TIME saves the Magnitude vs. Time waveform of the specified channel.

_FREQ_VS_TIME saves the Frequency vs. Time waveform of the specified channel.

_PHASE_VS_TIME saves the Phase vs. Time waveform of the specified channel.

_SV_BASEBAND_IQ saves the baseband I & Q data of the specified channel. The data is saved in Tektronix TIQ format using a .TIQ file extension. You can import .TIQ files into Tektronix SignalVu-PC software (PC based), SignalVu software (oscilloscope based), RSAVu software (PC based) or into a Tektronix real-time spectrum analyzer for pulse analysis and demodulation analysis.

ALL saves all displayed analog, math, and reference waveforms to individual files. Each file name created includes the name of the source (ch1, math3, and so on) used to create that file. ALL is not supported when FastAcq Mode is enabled.

`<QString>` is a quoted string that defines the path and file name to use to save the specified file, in the format '`[<path>]<filename.ext>`'. Specifying a path is optional. If no path is entered, the file is saved to the current working directory as set in `FILESystem:CWD`.

`<path>` uses the form '`<drive>/<dir>.../`'. You can specify a relative path or a complete path:

- Relative path specification. If the file argument begins with "." or ".." or has a file path separator appearing anywhere other than the first character position, then the file name is treated as a path that is relative to the current working directory.
- Complete path specification. If the file argument begins with a file path separator (forward slash character) or a drive designator (such as C:), then the file name is interpreted as a full path from the specified drive.

`<filename>` sets the file name to use to create the file. A file can have up to 125 characters. When using the ALL argument to save multiple files, each filename has the filename appended with the source used to create that file. For example, a filename of `QualTest` can create `QualTest_ch1.xxx`, `QualTest_ref1.xxx`, and so on.

`<.ext>` sets the file format to which to save the data. To save Channel FastAcq data, only .csv format is supported. The saved fastacq pixmap data .csv file cannot be recalled.

- Use the .wfm extension to save waveform data to a Tektronix Internal format.
- Use the .csv extension to save waveform data to a comma separated values spreadsheet format.
- Use the .mat extension to save waveform data to a matlab compatible file format.

Examples `SAVE:WAVEFORM MATH1, "TEK0000.WFM"` saves the Math1 waveform to the file `TEK00000.WFM` in the current working directory.

SAVE:WAVEform:GATing

This command specifies the method to save a specified part of the waveform data or the entire waveform.

Group Save and Recall

Syntax `SAVE:WAVEform:GATing {NONE|CURSors|SCREEN|RESAMPLE|SElected}`
`SAVE:WAVEform:GATing?`

Arguments	<p>NONE saves the full waveform data.</p> <p>CURSORs saves the waveform data located between the vertical cursors.</p> <p>SCREEN saves the waveform data that is on the screen. Nothing outside the waveform will be saved.</p> <p>RESAMPLE saves the waveform data at a sample interval set by the user. The resulting saved waveform is a resampled version of the original waveform with fewer data points.</p> <p>SELEcted saves the data from the currently selected history or FastFrame acquisition.</p>
Examples	<p>SAVE:WAVEFORM:GATING NONE saves the entire waveform.</p> <p>SAVE:WAVEFORM:GATING? might return :SAVE:WAVEform:GATing SCREEN, indicating the save waveform operation is set to save the waveform data on the screen.</p>

SAVE:WAVEform:GATing:RESAMPLERate

This command saves the waveform data at a sample interval. The resulting saved waveform is a resampled version of the original waveform with fewer data points.

Group	Save and Recall
Syntax	<pre>SAVE:WAVEform:GATing:RESAMPLERate <NR1> SAVE:WAVEform:GATing:RESAMPLERate?</pre>
Arguments	<NR1> specifies the resample interval.
Examples	<p>SAVE:WAVEFORM:GATING:RESAMPLERATE 3 sets to save waveform data every third data point.</p> <p>SAVE:WAVEFORM:GATING:RESAMPLERATE? might return :SAVE:WAVEform:GATing:RESAMPLERate 2, indicating the saved waveform will have half as many data points. This command saves the first data point and then every other following data point.</p>

SAVE:WAVEform:SOURCEList? (Query Only)

This query returns a list of the available waveforms that can be specified as the source for the SAVE:WAVEform command. Source waveforms must have their display mode set to On to appear in this list and to be saved.

Group	Save and Recall
Syntax	SAVE:WAVEform:SOURCEList?
Examples	SAVE:WAVEFORM:SOURCELIST? might return ALL, CH1_DALL, CH2, CH3, CH8, MATH1, MATH2, REF2, REF4.

SAVEON:FILE:DEST

This command sets or queries the location where files are saved when SAVEON:TRIGGER is ON and SAVEON:WAVEFORM is ON. You can save the files to a local drive or network path by entering the desired location in <QString>. You can also select to save the files to a USB drive.

Group	Save On
Syntax	SAVEON:FILE:DEST <QString> SAVEON:FILE:DEST?
Related Commands	SAVEON:FILE:NAME
Arguments	<QString> specifies the location to store files.
Examples	SAVEON:FILE:DEST "C:\users\username\Tektronix\TekScope\SaveOnTrigger" sets this as the location to save files (named by the SAVEON:FILE:NAME command), when there is a trigger. SAVEON:FILE:DEST? might return :SAVEON:FILE:DEST "C:\users\username\Tektronix\TekScope\SaveOnEvent", indicating the drive location where files will be saved when there is a trigger.

SAVEON:FILE:NAME

Sets or queries the file name to use when SAVEON:TRIGger is ON.

Group Save On

Syntax SAVEON:FILE:NAME <QString>
SAVEON:FILE:NAME?

Related Commands [SAVEON:FILE:DEST](#)

Arguments <QString> is the file name you want to use.

Examples SAVEON:FILE:NAME "MaskFailure" sets the name of the file to MaskFailure.
SAVEON:FILE:NAME? might return ":SAVEON:FILE:NAME MaskFailure5", indicating the name you set for the instrument to use, with the autoincrement number (5) appended.

SAVEON:IMAGe

This command sets or queries whether to save a screen capture when a trigger occurs and SAVEON:TRIGger is ON and SAVEON:IMAGe is ON.

Group Save On

Syntax SAVEON:IMAGe {<NR1>|OFF|ON}
SAVEON:IMAGe?

Related Commands [SAVEON:FILE:DEST](#)
[SAVEON:FILE:NAME](#)
[SAVEON:TRIGger](#)
[SAVEON:IMAGe](#)

Arguments <NR1> = 0 disables Save On Image; any other value turns this feature on.
OFF disables Save On Image.
ON enables Save On Image.

- Examples** `SAVEON:IMAGE ON` sets the instrument to save a screen capture on a specified trigger.
- `SAVEON:IMAGE?` might return `:SAVEON:IMAGE 1`, indicating that the instrument will save a screen capture when the specified trigger occurs.

SAVEON:IMAGE:FILEFormat

This command sets or queries the file format to be used for saved image files when `:SAVEON:IMAGE` is set to 1.

- Group** Save On
- Syntax** `SAVEON:IMAGE:FILEFormat {PNG|BMP|JPG}`
`SAVEON:IMAGE:FILEFormat?`
- Arguments** PNG specifies using PNG format for saved image files.
BMP specifies using BMP format for saved image files.
JPG specifies using JPEG format for saved image files.
- When specifying the file name with this command, use the correct file extension (".png" for PNG format, ".bmp" for BMP format, or ".jpg" for JPEG format). If a file name or path is specified, the file is expected to be located in a directory relative to the current working directory (specified by [FILESystem:CWD](#)) unless a complete path is specified:
- Complete path specification. If the file argument begins with drive designator (such as C:), then the file name is interpreted as a full path.
 - Relative path specification. If the file argument begins with "." or ".." or has a file path separator appearing anywhere other than the first character position, then the file name is treated as a path that is relative to the current working directory.
- Examples** `SAVEON:IMAGE:FILEFORMAT JPG` sets the image file format to JPEG.
- `SAVEON:IMAGE:FILEFORMAT?` might return `:SAVEON:IMAGE:FILEFORMAT PNG` indicating that the file format is set to PNG.

SAVEON:TRIGger

Sets or queries whether to save a file when a trigger occurs. You can define the trigger using Trigger commands or the instrument user interface.

This command is longer necessary. Please see Act On Event commands for future development.

The trigger will cause the instrument to save an image or a waveform to a file, depending on what you specified. For example, if you have set [SAVEON:IMAGe](#) to On, and a trigger event occurs, the instrument will save a screen capture. You can set options for file storage (such as file name, file destination, and auto increment), using the [SAVEON:FILE](#) commands.

Use the instrument interface to select whether to save one or more analog channels, digital channels, or math waveforms

Analog and math waveforms are saved using one file per waveform. Digital waveforms are all saved to a single file.

Group Save On

Syntax [SAVEON:TRIGger](#) {<NR1>|ON|OFF}
[SAVEON:TRIGger?](#)

Related Commands [SAVEON:IMAGe](#)
[SAVEON:WAVEform](#)
[SAVEON:FILE:DEST](#)
[SAVEON:FILE:NAME](#)

Arguments <NR1> = 0 disables Save On Trigger; any other value turns this feature on.
OFF disables Save On Trigger.
ON enables Save On Trigger.

Examples [SAVEON:TRIGGER ON](#) sets the instrument to save an image, measurement, and/or waveform when a trigger occurs.
[SAVEON:TRIGGER?](#) might return [:SAVEON:TRIGGER ON](#), indicating that a file will be saved on triggering.

SAVEON:WAVEform

Sets or queries whether to save a waveform when a trigger occurs when [SAVEON:TRIGger](#) is ON.

The waveform will be saved to the file you selected with [SAVEON:FILE:NAME](#), in the location that you selected using [SAVEON:FILE:DEST](#). You can set options

for file storage (such as file name, file destination, and autoincrement), using the `SAVEON:FILE` commands.

Group	Save On
Syntax	<code>SAVEON:WAVEform {<NR1> ON OFF}</code> <code>SAVEON:WAVEform?</code>
Related Commands	SAVEON:FILE:DEST SAVEON:FILE:NAME SAVEON:TRIGger
Arguments	<code><NR1> = 0</code> disables Save On Waveform; any other value turns this feature on. <code>OFF</code> disables Save On Waveform. <code>ON</code> enables Save On Waveform.
Examples	<code>SAVEON:WAVEFORM ON</code> turns on the Save On Waveform feature, so that a waveform will be saved when a selected trigger occurs. <code>SAVEON:WAVEFORM?</code> might return <code>:SAVEON:WAVEFORM ON</code> , indicating that a waveform will be saved when a selected trigger occurs.

SAVEON:WAVEform:FILEFormat

This command sets or queries the file format for saving waveforms when `:SAVEON:WAVEform` is set to `1`.

Group	Save On
Syntax	<code>SAVEON:WAVEform:FILEFormat {INTERNAL SPREADSheet}</code> <code>SAVEON:WAVEform:FILEFormat?</code>
Arguments	<code>INTERNAL</code> specifies saving the waveform in the instrument internal format. <code>SPREADSheet</code> specifies saving the waveform in comma separated values format.
Examples	<code>SAVEON:WAVEFORM:FILEFORMAT SPREADSheet</code> sets the file format to spreadsheet.

SAVEON:WAVEFORM:FILEFORMAT? might return
:SAVEON:WAVEFORM:FILEFORMAT INTERNAL indicating the file format is set
to INTERNAL.

SAVEON:WAVEform:SOURce

This command sets or queries the sources for saving waveforms when
[SAVEON:TRIGger](#) is ON.

Group	Save On
Syntax	SAVEON:WAVEform:SOURce {CH<x> MATH<x> REF<x> ALL} SAVEON:WAVEform:SOURce?
Arguments	CH<x> specifies an analog channel as the source waveform for saving. MATH<x> specifies a math waveform as the source waveform for saving. REF<x> specifies a reference waveform as the source waveform for saving. ALL specifies all analog, math, and reference waveforms as the source waveforms for saving.
Examples	SAVEON:WAVEform:SOURce MATH1 specifies MATH 1 as the save on source. SAVEON:WAVEform:SOURce? might return :SAVEON:WAVEFORM:SOURCE REF1 indicating the save on source is REF1.

SAVEONEVent:FILEDest

This command sets or queries the location where files are saved. This command
replaces [SAVEON:FILE:DEST](#) (still valid command, but only an alias for this
new command).

Group	Act On Event
Syntax	SAVEONEVent:FILEDest SAVEONEVent:FILEDest? <QString>
Arguments	<QString> specifies the location to store files.

- Examples** `SAVEONEVENT:FILEDEST`
"C:\users\username\Tektronix\TekScope\SaveOnTrigger" sets this as the location to save files (named by the `SAVEONEVENT:FILENAME` command), when there is a trigger.
- `SAVEONEVENT:FILEDEST?` might return `:SAVEONEVENT:FILEDEST`
"C:\users\username\Tektronix\TekScope\SaveOnTrigger", indicating the drive location where files will be saved when there is a trigger.

SAVEONEVENT:FILENAME

This command sets or queries the file name without the extension. This command replaces [SAVEON:FILE:NAME](#) (still valid command, but only an alias for this new command).

- Group** Act On Event
- Syntax** `SAVEONEVENT:FILENAME <QString>`
`SAVEONEVENT:FILENAME?`
- Arguments** `<QString>` specifies the name of the file.
- Examples** `SAVEONEVENT:FILENAME "MaskFailure"` sets the name of the file to MaskFailure.
- `SAVEONEVENT:FILENAME?` might return `:SAVEONEVENT:FILENAME`
"MaskFailure5", indicating the name you set for the instrument to use. The autoincrement number of 5 is appended.

SAVEONEVENT:IMAGE:FILEFORMAT

This command sets or returns the image file extension (png, jpg, bmp). This command replaces [SAVEON:IMAGE:FILEFORMAT](#) (still valid command, but only an alias for this new command).

- Group** Act On Event
- Syntax** `SAVEONEVENT:IMAGE:FILEFORMAT {PNG|BMP|JPG}`
`SAVEONEVENT:IMAGE:FILEFORMAT?`

Arguments	<p>PNG specifies using PNG format for saved image files.</p> <p>BMP specifies using BMP format for saved image files.</p> <p>JPG specifies using JPEG format for saved image files.</p> <p>When specifying the file name with this command, use the correct file extension (".png" for PNG format, ".bmp" for BMP format, or ".jpg" for JPEG format). If a file name or path is specified, the file is expected to be located in a directory relative to the current working directory (specified by FILESystem:CWD) unless a complete path is specified:</p> <ul style="list-style-type: none"> ■ Complete path specification. If the file argument begins with drive designator (such as C:), then the file name is interpreted as a full path. ■ Relative path specification. If the file argument begins with "." or "" or has a file path separator appearing anywhere other than the first character position, then the file name is treated as a path that is relative to the current working directory.
Examples	<p>SAVEONEVENT:IMAGE:FILEFORMAT JPG sets the image file format to JPEG.</p> <p>SAVEONEVENT:IMAGE:FILEFORMAT? might return :SAVEON:IMAGE:FILEFORMAT PNG indicating that the file format is set to PNG.</p>

SAVEONEVENT:WAVEFORM:FILEFORMAT

This command sets or returns the file extension (csv, wfm, mat). This command replaces [SAVEON:WAVEFORM:FILEFORMAT](#) (still valid command, but only an alias for this new command).

Group	Act On Event
Syntax	<pre>SAVEONEVENT:WAVEFORM:FILEFORMAT {INTERNAL SPREADSHEET MATLAB} SAVEONEVENT:WAVEFORM:FILEFORMAT?</pre>
Arguments	<p>INTERNAL specifies saving the waveform in the instrument internal format.</p> <p>SPREADSHEET specifies saving the waveform in comma separated values format.</p> <p>MATLAB specifies saving the waveform in matlab compatible file format.</p>
Examples	<p>SAVEONEVENT:WAVEFORM:FILEFORMAT SPREADSHEET sets the file format to spreadsheet (csv).</p>

SAVEONEVENT:WAVEFORM:FILEFORMAT? might return
:SAVEONEVENT:WAVEFORM:FILEFORMAT INTERNAL, indicating the
file format is set to INTERNAL.

SAVEONEVENT:WAVEFORM:SOURC

This command sets or returns the sources for saving waveforms when an event occurs. This command replaces [SAVEON:WAVEFORM:SOURC](#) (still valid command, but only an alias for this new command).

Group Act On Event

Syntax SAVEONEVENT:WAVEFORM:SOURC {CH<x>|MATH<x>|REF<x>|ALL}
SAVEONEVENT:WAVEFORM:SOURC?

Arguments CH<x> specifies an analog channel as the source waveform for saving.
MATH<x> specifies a math waveform as the source waveform for saving.
REF<x> specifies a reference waveform as the source waveform for saving.
ALL specifies all analog, math, and reference waveforms as the source waveforms for saving.

Examples SAVEONEVENT:WAVEFORM:SOURC MATH1 specifies MATH 1 as the save on source.

SAVEONEVENT:WAVEFORM:SOURC? might return
:SAVEONEVENT:IMAGE:FILEFORMAT REF1, indicating the save on source
is REF 1.

SCOPEApp REBOOT (No Query Form)

This command reboots the scope.

Group Miscellaneous

Syntax SCOPEApp REBOOT

Examples SCOPEApp REBOOT reboots the scope.

SEARCH:ADDNew (No Query Form)

This command adds the specified search.

Group Search and Mark

Syntax SEARCH:ADDNew <QString>

Arguments <QString> is the specified search. The argument is of the form "SEARCH<NR1>", where <NR1> is ≥ 1 .

Examples SEARCH:ADDNEW "SEARCH2" adds a new search named SEARCH 2.

SEARCH:DELeTe (No Query Form)

This command deletes the specified search.

Group Search and Mark

Syntax SEARCH:DELeTe <QString>

Arguments <QString> is the specified search. The argument is of the form "SEARCH<NR1>", where <NR1> is ≥ 1).

Examples SEARCH:DELETE "SEARCH3" deletes SEARCH 3.

SEARCH:DELETEALL (No Query Form)

This command deletes all the active instances of search definitions defined in the scope application.

Group Search and Mark

Syntax SEARCH:DELETEALL

Examples SEARCH:DELETEALL deletes all the active instances of search definitions.

SEARCH:LIST? (Query Only)

This command returns a comma separated list of all currently defined searches.

Group	Search and Mark
Syntax	SEARCH:LIST?
Returns	All currently defined searches.
Examples	SEARCH:LIST? might return :SEARCH:LIST SEARCH1,SEARCH2 indicating that Search 1 and Search 2 are defined.

SEARCH:SEARCH<x>:COpy (No Query Form)

This command (no query form) copies the search criteria to or from the trigger. The search number is specified by x.

Group	Search and Mark
Syntax	SEARCH:SEARCH<x>:COpy {SEARCHtotrigger TRIGgertosearch}
Arguments	SEARCHtotrigger copies the search criteria to the trigger. TRIGgertosearch copies the trigger criteria to the search.
Examples	SEARCH:SEARCH1:COpy TRIGGERTOSEARCH copies the trigger criteria to the search 1 criteria. SEARCH:SEARCH1:COpy SEARCHTOTRIGGER copies the search criteria to the trigger.

SEARCH:SEARCH<x>:NAVigate (No Query Form)

This command sets the navigation action for search marks. The NONE action is the default setting when no action is being taken. The search number is specified by x.

Group	Search and Mark
--------------	-----------------

Syntax SEARCH:SEARCH<x>:NAVigate {NEXT|PREVIOUS|MIN|NONE|MAX}

Arguments NEXT goes to the next search mark.
 PREVIOUS goes to the previous search mark.
 MIN goes to the search result with the smallest value. Only supported by search results which have quantitative values (example: pulse width is supported, but not edge).
 NONE is the default setting when no action is being taken.
 MAX goes to the search result with the largest value. Only supported by search results which have quantitative values (example: pulse width is supported, but not edge).

Examples SEARCH:SEARCH1:NAVigate NEXT goes to the next search mark.

SEARCH:SEARCH<x>:TOTAL? (Query Only)

This query-only command returns the total number of found search marks for this search. The search number is specified by x.

Group Search and Mark

Syntax SEARCH:SEARCH<x>:TOTAL?

Examples SEARCH:SEARCH1:TOTAL? might return SEARCH:SEARCH1:TOTAL 7, indicating that there are 7 matches for search 1.

SEARCH:SEARCH<x>:TRIGger:A:BUS:ARINC429A:CONDition

This command specifies a field or condition for an ARINC429 bus to search on. The search number is specified by x.

Conditions Requires option 5-SRAERO or SUP5-SRAERO Triggering and Analysis application.

Group Search and Mark

Syntax SEARCH:SEARCH<x>:TRIGger:A:BUS:ARINC429A:CONDition
 {SOW|LABe1|DATA|LABELANDDATA|EOW|ERROR}
 SEARCH:SEARCH<x>:TRIGger:A:BUS:ARINC429A:CONDition?

Arguments SOW specifies a search for the first bit of a word.
 LABe1 specifies a search for a matching label.
 DATA specifies a search for matching packet data fields.
 LABELANDDATA specifies a search for a matching label and matching packet data field(s).
 EOW specifies a search for the 32nd bit of a word.
 ERROR specifies a search for a specified error condition.

NOTE. *The type of error searched for is specified by
 SEARCH:SEARCH<x>:TRIGger:A:BUS:ARINC429A:ERRType.*

Examples SEARCH:SEARCH1:TRIGGER:A:BUS:ARINC429A:CONDITION DATA specifies finding packets that contain matching data field(s).
 SEARCH:SEARCH1:TRIGGER:A:BUS:ARINC429A:CONDITION? might return SOW, indicating that the bus is being searched for the first bit of each word in the packet.

SEARCH:SEARCH<x>:TRIGger:A:BUS:ARINC429A:DATA:HIVALue

This command sets or queries the high value when searching on an ARINC429 data field. The search number is specified by x. The search condition must be set to DATA or LABELANDDATA, and the data qualifier must be INrange or OUTrange.

Conditions Requires option 5-SRAERO or SUP5-SRAERO Triggering and Analysis application.

Group Search and Mark

Syntax SEARCH:SEARCH<x>:TRIGger:A:BUS:ARINC429A:DATA:HIVALue
 <Qstring>
 SEARCH:SEARCH<x>:TRIGger:A:BUS:ARINC429A:DATA:HIVALue?

Arguments <Qstring> is the label value.

Examples `SEARCH:SEARCH1:TRIGGER:A:BUS:ARINC429A:DATA:HIVALUE`
`"XXXXXXXXXXXXXXXXX1000"` sets the value to `XXXXXXXXXXXXXXXXX1000`.

`SEARCH:SEARCH1:TRIGGER:A:BUS:ARINC429A:DATA:HIVALUE?` might
return `"XXXXXXXXXXXXXXXXXXXXX"`, indicating that the value is
`XXXXXXXXXXXXXXXXXXXXX`.

SEARCH:SEARCH<x>:TRIGger:A:BUS:ARINC429A:DATa:QUALifier

This command sets or queries the qualifier to be used when searching on data in the DATA field for an ARINC429 bus signal. The search number is specified by x. The search condition must be set to DATA or LABELANDDATA.

NOTE. *The search qualifier only applies to the bits defined as the data field via the bus data field format specifier (using `BUS:B<x>:ARINC429A:DATAFORMAT`).*

Conditions Requires option 5-SRAERO or SUP5-SRAERO Triggering and Analysis application.

Group Search and Mark

Syntax `SEARCH:SEARCH<x>:TRIGger:A:BUS:ARINC429A:DATa:`
`QUALifier {Equal|UNEQual|LESSthan|MOREthan`
`|LESSEQual|MOREEQual|INrange|OUTrange}`
`SEARCH:SEARCH<x>:TRIGger:A:BUS:ARINC429A:DATa:QUALifier?`

Arguments `Equal` sets the data qualifier to equal.
`UNEQual` sets the data qualifier to unequal.
`LESSthan` sets the data qualifier to less than.
`MOREthan` sets the data qualifier to more than.
`LESSEQual` sets the data qualifier to less equal.
`MOREEQual` sets the data qualifier to more equal.
`INrange` sets the data qualifier to in range.
`OUTrange` sets the data qualifier to out of range.

Examples `SEARCH:SEARCH1:TRIGGER:A:BUS:ARINC429A:DATA:QUALIFIER`
`LESSTHAN` sets the data qualifier to less than.

SEARCH:SEARCH1:TRIGGER:A:BUS:ARINC429A:DATA:QUALIFIER? might return EQUAL, indicating that the data qualifier is set to equal.

SEARCH:SEARCH<x>:TRIGger:A:BUS:ARINC429A:DATA:VALue

This command sets or queries the low value when searching on an ARINC429 data field. The search number is specified by x. The search condition must be set to DATA or LABELANDDATA.

Conditions Requires option 5-SRAERO or SUP5-SRAERO Triggering and Analysis application.

Group Search and Mark

Syntax SEARCH:SEARCH<x>:TRIGger:A:BUS:ARINC429A:DATA:VALue
<QString>
SEARCH:SEARCH<x>:TRIGger:A:BUS:ARINC429A:DATA:VALue?

Arguments <QString> is the label value.

Examples SEARCH:SEARCH1:TRIGGER:A:BUS:ARINC429A:DATA:VALUE
"XXXXXXXXXXXXXXXXX1000" sets the value to XXXXXXXXXXXXXXXXXXXX1000.

SEARCH:SEARCH1:TRIGGER:A:BUS:ARINC429A:DATA:VALUE? might return "XXXXXXXXXXXXXXXXXXXX", indicating that the value is XXXXXXXXXXXXXXXXXXXX.

SEARCH:SEARCH<x>:TRIGger:A:BUS:ARINC429A:ERRTYPE

This command sets or queries the error type when searching on an ARINC429 bus signal. The search number is specified by x. The search condition must be set to ERRor.

Conditions Requires option 5-SRAERO or SUP5-SRAERO Triggering and Analysis application.

Group Search and Mark

Syntax SEARCH:SEARCH<x>:TRIGger:A:BUS:ARINC429A:ERRTYPE
{ANY|PARity|WORD|GAP}

SEARCH:SEARCH<x>:TRIGger:A:BUS:ARINC429A:ERRType?

- Arguments** ANY sets the error type to match any of the other available error types.
- PARi ty sets the error type to match on parity errors (parity value results in even parity count for a word).
- WORD sets the error type to match on word errors (any unframed or unknown decode data).
- GAP sets the error type to match on gap violations (less than 4 bits idle time between two packets on the bus).
- Examples** SEARCH:SEARCH1:TRIGGER:A:BUS:ARINC429A:ERRType PARITY sets the error type to match on parity errors.
- SEARCH:SEARCH1:TRIGGER:A:BUS:ARINC429A:ERRType? might return ANY, indicating that any error condition will produce a match.

SEARCH:SEARCH<x>:TRIGger:A:BUS:ARINC429A:LABel:HIVALue

This command sets or queries the high value when searching on an ARINC429 label field. The search number is specified by x. The search condition must be set to LABel, and the label qualifier must be INrange or OUTrange.

- Conditions** Requires option 5-SRAERO or SUP5-SRAERO Triggering and Analysis application.
- Group** Search and Mark
- Syntax** SEARCH:SEARCH<x>:TRIGger:A:BUS:ARINC429A:LABel:HIVALue
<QString>
SEARCH:SEARCH<x>:TRIGger:A:BUS:ARINC429A:LABel:HIVALue?
- Arguments** <QString> is the label value.
- Examples** SEARCH:SEARCH1:TRIGGER:A:BUS:ARINC429A:LABel:HIVALue
"XXXX1010" sets the value to XXXX1010.
- SEARCH:SEARCH1:TRIGGER:A:BUS:ARINC429A:LABel:HIVALue? might return "XXXXXXXX", indicating that the value is XXXXXXXX.

SEARCH:SEARCH<x>:TRIGger:A:BUS:ARINC429A:LABel:QUALifier

This command sets or queries the qualifier to be used when searching on label data for an ARINC429 bus signal. The search number is specified by x. The search condition must be set to LABEL or LABELANDDATA.

NOTE. *If the search condition is set to LABELANDDATA, the label qualifier will be locked to Equal until the search condition is changed again.*

Conditions	Requires option 5-SRAERO or SUP5-SRAERO Triggering and Analysis application.
Group	Search and Mark
Syntax	SEARCH:SEARCH<x>:TRIGger:A:BUS:ARINC429A:LABel:QUALifier {Equal UNEQual LESSthan MORethan LESSEQual MOREEQual INrange OUTrange} SEARCH:SEARCH<x>:TRIGger:A:BUS:ARINC429A:LABel:QUALifier?
Arguments	Equal sets the data qualifier to equal. UNEQual sets the data qualifier to unequal. LESSthan sets the data qualifier to less than. MORethan sets the data qualifier to more than. LESSEQual sets the data qualifier to less equal. MOREEQual sets the data qualifier to more equal. INrange sets the data qualifier to in range. OUTrange sets the data qualifier to out of range.
Examples	SEARCH:SEARCH1:TRIGGER:A:BUS:ARINC429A:LABEL:QUALIFIER LESSTHAN sets the label qualifier to less than. SEARCH:SEARCH1:TRIGGER:A:BUS:ARINC429A:LABEL:QUALIFIER? might return EQUAL, indicating that the label qualifier is set to equal.

SEARCH:SEARCH<x>:TRIGger:A:BUS:ARINC429A:LABel:VALue

This command sets or queries the low value when searching on an ARINC429 label field. The search number is specified by x. The search condition must be set to LABEL or LABELANDDATA.

Conditions	Requires option 5-SRAERO or SUP5-SRAERO Triggering and Analysis application.
Group	Search and Mark
Syntax	SEARCH:SEARCH<x>:TRIGger:A:BUS:ARINC429A:LABe1:VALue <QString> SEARCH:SEARCH<x>:TRIGger:A:BUS:ARINC429A:LABe1:VALue?
Arguments	<QString> is the label value.
Examples	SEARCH:SEARCH1:TRIGGER:A:BUS:ARINC429A:LABEL:VALUE "XXXX1010" sets the value to XXXX1010. SEARCH:SEARCH1:TRIGGER:A:BUS:ARINC429A:LABEL:VALUE? might return "XXXXXXXX", indicating that the value is XXXXXXXX.

SEARCH:SEARCH<x>:TRIGger:A:BUS:ARINC429A:SDI:VALue

This command sets or queries the label when searching on an ARINC429 SDI field. The search number is specified by x. The search condition must be set to DATA or LABELANDDATA, and the data format must be set to DATA.

Conditions	Requires option 5-SRAERO or SUP5-SRAERO Triggering and Analysis application.
Group	Search and Mark
Syntax	SEARCH:SEARCH<x>:TRIGger:A:BUS:ARINC429A:SDI:VALue <QString> SEARCH:SEARCH<x>:TRIGger:A:BUS:ARINC429A:SDI:VALue?
Arguments	<QString> is the label value.
<hr/> <p>NOTE. The SDI field is only present when the selected data field format is DATA (using <i>BUS:B<x>:ARINC429A:DATAFormat</i>). Also, the stored QString is reset to its default value whenever the data field format is changed.</p> <hr/>	
Examples	SEARCH:SEARCH1:TRIGGER:A:BUS:ARINC429A:SDI:VALUE "X0" sets the value to X0.

SEARCH:SEARCH1:TRIGGER:A:BUS:ARINC429A:SDI:VALUE? might return "XX", indicating that the value is XX.

SEARCH:SEARCH<x>:TRIGger:A:BUS:ARINC429A:SSM:VALue

This command sets or queries the label when searching on an ARINC429 SSM field. The search number is specified by x. The search condition must be set to DATA or LABELANDDATA, and the data format must be set to DATA or SDIDATA.

Conditions	Requires option 5-SRAERO or SUP5-SRAERO Triggering and Analysis application.
Group	Search and Mark
Syntax	SEARCH:SEARCH<x>:TRIGger:A:BUS:ARINC429A:SSM:VALue <QString> SEARCH:SEARCH<x>:TRIGger:A:BUS:ARINC429A:SSM:VALue?
Arguments	<QString> is the label value.
Examples	SEARCH:SEARCH1:TRIGGER:A:BUS:ARINC429A:SSM:VALUE "X0" sets the value to X0. SEARCH:SEARCH1:TRIGGER:A:BUS:ARINC429A:SSM:VALUE? might return "XX", indicating that the value is XX.

SEARCH:SEARCH<x>:TRIGger:A:BUS:AUDio:CONDition

This command sets or queries the condition (word select / frame sync, or matching data) to be used when searching on an audio bus signal. The search number is specified by x.

Conditions	Requires option 5-SRAUDIO or SUP5-SRAUDIO Triggering and Analysis application.
Group	Search and Mark
Syntax	SEARCH:SEARCH<x>:TRIGger:A:BUS:AUDio:CONDition {SOF DATA} SEARCH:SEARCH<x>:TRIGger:A:BUS:AUDio:CONDition?

Arguments	SOF specifies to search on a word select or start of frame (depending on Audio Type). DATA specifies to search on matching data.
Examples	SEARCH:SEARCH1:TRIGger:A:BUS:AUDio:CONDition SOF sets conditions to search on start of frame. SEARCH:SEARCH1:TRIGger:A:BUS:AUDio:CONDition? might return SEARCH:SEARCH1:TRIGGER:A:BUS:AUDIO:CONDITION DATA indicating settings for a search on DATA.

SEARCH:SEARCH<x>:TRIGger:A:BUS:AUDio:DATA:HITDMVALue

This command sets or queries the binary data string for the high data word to be used when searching on an TDM audio bus signal. The search condition must be set to DATA using SEARCH:SEARCH{x}:TRIGger:A:BUS:AUDio:CONDition.

Group	Search and Mark
Syntax	SEARCH:SEARCH<x>:TRIGger:A:BUS:AUDio:DATA:HITDMVALue <QString> SEARCH:SEARCH<x>:TRIGger:A:BUS:AUDio:DATA:HITDMVALue?
Arguments	<QString> is the binary data string for the high data word to be used when searching on an TDM audio bus signal.
Examples	SEARCH:SEARCH1:TRIGger:A:BUS:AUDio:DATA:HITDMVALue "XXXXXXXXXXXXXXXXXXXX1100" sets the high value to 1100. SEARCH:SEARCH1:TRIGger:A:BUS:AUDio:DATA:HITDMVALue? might return SEARCH:SEARCH1:TRIGGER:A:BUS:AUDIO:DATA:HITDMVALUE "XXXXXXXXXXXXXXXXXXXX1010" indicating the high value is set to 1010.

SEARCH:SEARCH<x>:TRIGger:A:BUS:AUDio:DATA:HIVALue

This command sets or queries the binary data string for the high data word to be used when searching on an audio bus signal. The search condition must be set to DATA using :SEARCH:SEARCH<x>:TRIGger:A:BUS:AUDio:CONDition. The search number is specified by x.

Group	Search and Mark
--------------	-----------------

Syntax SEARCH:SEARCH<x>:TRIGger:A:BUS:AUDio:DATA:HIVALue <QString>
SEARCH:SEARCH<x>:TRIGger:A:BUS:AUDio:DATA:HIVALue?

Arguments <QString> specifies the upper word value.

Examples SEARCH:SEARCH1:TRIGger:A:BUS:AUDio:DATA:HIVALue "XXXX" sets the HIVALUE to XXXX.

SEARCH:SEARCH1:TRIGger:A:BUS:AUDio:DATA:HIVALue? might return SEARCH:SEARCH1:TRIGGER:A:BUS:AUDIO:DATA:HIVALUE "TEST_001101", indicating the HIVALUE is set to TEST_001101.

SEARCH:SEARCH<x>:TRIGger:A:BUS:AUDio:DATA:OFFSet

This command sets or queries the data offset value (TDM channel) to be used when searching on a TDM type audio bus signal. The search condition must be set to DATA using SEARCH:SEARCH<x>:TRIGger:A:BUS:AUDio:TDM:CONDition. The search number is specified by x.

Conditions Requires option 5-SRAUDIO or SUP5-SRAUDIO Triggering and Analysis application.

Group Search and Mark

Syntax SEARCH:SEARCH<x>:TRIGger:A:BUS:AUDio:DATA:OFFSet <NR1>
SEARCH:SEARCH<x>:TRIGger:A:BUS:AUDio:DATA:OFFSet?

Arguments <NR1> is the data offset value.

Examples SEARCH:SEARCH1:TRIGger:A:BUS:AUDio:DATA:OFFSet 2 sets the data offset value to 2.

SEARCH:SEARCH1:TRIGger:A:BUS:AUDio:DATA:OFFSet? might return SEARCH:SEARCH1:TRIGGER:A:BUS:AUDIO:DATA:OFFSET 1 indicating data offset value is set to TDM channel 1.

SEARCH:SEARCH<x>:TRIGger:A:BUS:AUDio:DATA:QUALifier

This command sets or queries the qualifier to be used when searching on an audio bus signal. The search condition must be set to DATA using

SEARCH:SEARCH<x>:TRIGger:A:BUS:AUDio:{NONTdm|TDM}:CONDition.
The search number is specified by x.

Conditions Requires option 5-SRAUDIO or SUP5-SRAUDIO Triggering and Analysis application.

Group Search and Mark

Syntax SEARCH:SEARCH<x>:TRIGger:A:BUS:
AUDio:DATA:QUALifier {EQUAL|UNEQUAL|
LESSthan|MOREthan|LESSEQUAL|MOREEQUAL|INrange|OUTrange}
SEARCH:SEARCH<x>:TRIGger:A:BUS:AUDio:DATA:QUALifier?

Arguments LESSthan sets the qualifier to less than.
MOREthan sets the qualifier to greater than.
EQUAL sets the qualifier to equal.
UNEQUAL sets the qualifier to not equal.
LESSEQUAL sets the qualifier to less than or equal.
MOREEQUAL sets the qualifier to greater than or equal.
INrange sets the qualifier to in range.
OUTrange sets the qualifier to out of range.

Examples SEARCH:SEARCH1:TRIGger:A:BUS:AUDio:DATA:QUALifier LESSthan
sets the qualifier to LESSthan.
SEARCH:SEARCH1:TRIGger:A:BUS:AUDio:DATA:QUALifier? might return
SEARCH:SEARCH1:TRIGGER:A:BUS:AUDIO:DATA:QUALIFIER EQUAL
indicating the qualifier is set to EQUAL.

SEARCH:SEARCH<x>:TRIGger:A:BUS:AUDio:DATA:TDMVALue

This command sets or queries the binary data string for the single or low data word to be used when searching on an TDM audio bus signal. The search condition must be set to DATA using SEARCH:SEARCH{x}:TRIGger:A:BUS:AUDio:CONDition.

Group Search and Mark

Syntax SEARCH:SEARCH<x>:TRIGger:A:BUS:AUDio:DATA:TDMVALue <QString>
SEARCH:SEARCH<x>:TRIGger:A:BUS:AUDio:DATA:TDMVALue?

Arguments <QString> is the binary data string for the single or low data word to be used when searching on an TDM audio bus signal.

Examples SEARCH:SEARCH1:TRIGger:A:BUS:AUDio:DATA:TDMVALue "1100" sets the TDMVALUE to 1100.

SEARCH:SEARCH1:TRIGger:A:BUS:AUDio:DATA:TDMVALue? might return SEARCH:SEARCH1:TRIGGER:A:BUS:AUDIO:DATA:TDMVALUE "XXXXXXXXXXXXXXXXXXXX1010", indicating the TDM value is 1010.

SEARCH:SEARCH<x>:TRIGger:A:BUS:AUDio:DATA:VALue

This command sets or queries the binary data string for the single or low data word to be used when searching on an audio bus signal. The search condition must be set to DATA using SEARCH:SEARCH<x>:TRIGger:A:BUS:AUDio:{NONtdm|TDM}:CONDition. The search number is specified by x.

Conditions Requires option 5-SRAUDIO or SUP5-SRAUDIO Triggering and Analysis application.

Group Search and Mark

Syntax SEARCH:SEARCH<x>:TRIGger:A:BUS:AUDio:DATA:VALue <QString>
SEARCH:SEARCH<x>:TRIGger:A:BUS:AUDio:DATA:VALue?

Arguments <QString> is the lower word value.

Examples SEARCH:SEARCH1:TRIGger:A:BUS:AUDio:DATA:VALue "X0X011" sets the data value to X0X011.

SEARCH:SEARCH1:TRIGger:A:BUS:AUDio:DATA:VALue? might return SEARCH:SEARCH1:TRIGGER:A:BUS:AUDIO:DATA:VALUE "XXXXXXXXXXXXXXXXXXXX", indicating the data value is set to XXXXXXXXXXXXXXXXXXXXXXX.

SEARCH:SEARCH<x>:TRIGger:A:BUS:AUDio:DATA:WORD

This command sets or queries the alignment of the data (left, right or either) to be used when searching on a non-TDM type audio bus signal. The search condition must be set to DATA using SEARCH:SEARCH<x>:TRIGger:A:BUS:AUDio:NONTdm:CONDition. The search number is specified by x.

Conditions	Requires option 5-SRAUDIO or SUP5-SRAUDIO Triggering and Analysis application.
Group	Search and Mark
Syntax	SEARCH:SEARCH<x>:TRIGger:A:BUS:AUDio:DATA:WORD {EITHer LEFt RIGht} SEARCH:SEARCH<x>:TRIGger:A:BUS:AUDio:DATA:WORD?
Arguments	EITHer aligns the data to either left or right. LEFt aligns the data to the left. RIGht aligns the data to the right.
Examples	SEARCH:SEARCH1:TRIGger:A:BUS:AUDio:DATA:WORD LEFT aligns the data to the left. SEARCH:SEARCH1:TRIGger:A:BUS:AUDio:DATA:WORD? might return SEARCH:SEARCH1:TRIGGER:A:BUS:AUDIO:DATA:WORD EITHER indicating the data is aligned either to the left or right.

SEARCH:SEARCH<x>:TRIGger:A:BUS:AUTOETHERnet:CONDition

This command sets or queries the field or condition for which to search an AutoEthernet.

Conditions	Requires option SR-AUTOENET Most of the other SEARCH:SEARCH<x>:TRIGger:A:BUS:B:AUTOETHERnet commands are impacted by the setting of this command.
Group	Search and Mark

Syntax SEARCH:SEARCH<x>:TRIGGER:A:BUS:AUTOETHERnet:CONDition {SSD| SFD| MACADDRESS| MACLENGTH| IPHeader| TCPHeader| DATA| EOP| FCSError| QTAG| SYNC| SOSD| PREAMBLE| BEACON | ETHTYPE| PAYLOAD| DATATENBASE| ESD| ESDOK| ERRORS}
 SEARCH:SEARCH<x>:TRIGGER:A:BUS:AUTOETHERnet:CONDition?

Arguments SEARCH<x> is the Search number.

SSD specifies to search for Start of frame.

SFD specifies to search for Start of frame delimiter.

MACADDRESS specifies to search for MAC addresses field.

MACLENGTH specifies to search for MAC length/type field.

IPHeader specifies to search for IP header field.

TCPHeader specifies to search for TCP header field.

DATA specifies to search for TCP/IPv4 or MAC protocol client data field.

EOP specifies to search for End of Packet field.

FCSError specifies to search for Frame Check Sequence Error (CRC) field.

QTAG specifies to search for IEEE 802.1Q (VLAN) control information field.

SYNC specifies to search for Sync/Commit symbol.

SOSD specifies to search for Start of Stream Delimiter (SSD) symbol.

PREAMBLE specifies to search for preamble.

BEACON specifies to search for Beacon symbol.

ETHTYPE specifies to search for Ether Type.

PAYLOAD specifies to search for Payload.

DATATENBASE specifies to search for Data.

ESD specifies to search for End of Stream Delimiter symbol.

ESDOK specifies to search for End of Stream Delimiter OK symbol

ERRORS specifies to search for Errors.

Examples SEARCH:SEARCH1:TRIGGER:A:BUS:AUTOETHERnet:CONDITION
 MACADDRESS specifies MACADDRESS as the field within an AutoEthernet frame to search on.

SEARCH:SEARCH1:TRIGGER:A:BUS:AUTOETHERnet:CONDITION? might return SEARCH:SEARCH1:TRIGGER:A:BUS:AUTOETHERnet:CONDITION DATA, indicating that DATA is the currently specified field within an AutoEthernet frame to search on.

SEARCH:SEARCH<x>:TRIGger:A:BUS:AUTOETHERnet:DATA:HIVALue

This command sets or queries the binary data value to be used when searching on an AutoEthernet bus signal. The search condition must be set to DATA and the data qualifier to inside or outside range.

Conditions Requires option SR-AUTOENET

Group Search and Mark

Syntax SEARCH:SEARCH<x>:TRIGger:A:BUS:AUTOETHERnet:DATA:HIVALue
<QString>
SEARCH:SEARCH<x>:TRIGger:A:BUS:AUTOETHERnet:DATA:HIVALue?

Arguments SEARCH<x> is the Search number.

<QString> specifies the binary data value to be used when searching on an AutoEthernet bus signal.

Examples SEARCH:SEARCH1:TRIGger:A:BUS:AUTOETHERnet:DATA:HIVALue
"101011" sets the data HIVALue to 101011.

SEARCH:SEARCH1:TRIGger:A:BUS:AUTOETHERnet:DATA:HIVALue? might
returnSEARCH:SEARCH1:TRIGGER:A:BUS:AUTOETHERnet:DATA:HIVALUE
"10110".

SEARCH:SEARCH<x>:TRIGger:A:BUS:AUTOETHERnet:DATA:OFFSet

This command sets or queries the data offset value, in bytes, to use when searching on the AutoEthernet data field. The search condition needs to be set to DATA.

Conditions Requires option SR-AUTOENET

Group Search and Mark

Syntax SEARCH:SEARCH<x>:TRIGger:A:BUS:AUTOETHERnet:DATA:OFFSet <NR1>
SEARCH:SEARCH<x>:TRIGger:A:BUS:AUTOETHERnet:DATA:OFFSet?

Related Commands [SEARCH:SEARCH<x>:TRIGger:A:BUS:AUTOETHERnet:CONDition](#)
[SEARCH:SEARCH<x>:TRIGger:A:BUS:AUTOETHERnet:DATA:SIZE](#)

[SEARCH:SEARCH<x>:TRIGger:A:BUS:AUTOETHERnet:TCPHeader:SOURCEport:VALue](#)

- Arguments** SEARCH<x> is the Search number.
- NR1 sets the data offset value, in bytes. It is an integer value whose minimum and default values are -1 (don't care) and maximum is 1,499.
- Examples** SEARCH:SEARCH1:TRIGGER:A:BUS:AUTOETHERnet:DATA:OFFSET 36 sets the data offset to 36 bytes.
- SEARCH:SEARCH1:TRIGGER:A:BUS:AUTOETHERnet:DATA:OFFSET? might return SEARCH:SEARCH1:TRIGGER:A:BUS:AUTOETHERnet:DATA:OFFSET -1, indicating that the data offset value is the default value (-1), meaning "don't care".

SEARCH:SEARCH<x>:TRIGger:A:BUS:AUTOETHERnet:DATA:SIZE

This command sets or queries the length of the data string, in bytes, to use when searching on the AutoEthernet bus signal. The search condition needs to be set to DATA.

- Conditions** Requires option SR-AUTOENET
- The search condition needs to be set to DATA.
- Group** Search and Mark
- Syntax** SEARCH:SEARCH<x>:TRIGger:A:BUS:AUTOETHERnet:DATA:SIZE <NR1>
SEARCH:SEARCH<x>:TRIGger:A:BUS:AUTOETHERnet:DATA:SIZE?
- Related Commands** [SEARCH:SEARCH<x>:TRIGger:A:BUS:AUTOETHERnet:CONDition](#)
- Arguments** SEARCH<x> is the Search number.
- NR1 sets the data length, in bytes. It is an integer value whose minimum and default values are 1, and the maximum value is 16.
- Examples** SEARCH:SEARCH1:TRIGGER:A:BUS:AUTOETHERnet:DATA:SIZE 4 specifies 4 as the number of contiguous TCP/IPv4/MAC client bytes to use when searching on the AutoEthernet data field.

SEARCH:SEARCH1:TRIGGER:A:BUS:AUTOETHERnet:DATA:SIZE? might return SEARCH:SEARCH1:TRIGGER:A:BUS:AUTOETHERnet:DATA:SIZE 8.

SEARCH:SEARCH<x>:TRIGger:A:BUS:AUTOETHERnet:DATA:VALue

This command sets or queries the binary value to use when searching on the AutoEthernet bus signal. The search condition needs to be set to DATA.

Conditions	Requires option SR-AUTOENET The search condition needs to be set to DATA.
Group	Search and Mark
Syntax	SEARCH:SEARCH<x>:TRIGger:A:BUS:AUTOETHERnet:DATA:VALue <QString> SEARCH:SEARCH<x>:TRIGger:A:BUS:AUTOETHERnet:DATA:VALue?
Related Commands	SEARCH:SEARCH<x>:TRIGger:A:BUS:AUTOETHERnet:CONDition SEARCH:SEARCH<x>:TRIGger:A:BUS:AUTOETHERnet:DATA:OFFSet SEARCH:SEARCH<x>:TRIGger:A:BUS:AUTOETHERnet:DATA:SIZE
Arguments	SEARCH<x> is the Search number. <QString> is a quoted string where the allowable characters are 0, 1, and X. The allowable number of characters depends on the setting for size (using SEARCH:SEARCH<x>:TRIGger:A:BUS:AUTOETHERnet:DATA:SIZE). The bits specified in the quoted string replace the least significant bits (LSB), leaving any unspecified upper bits unchanged.
Examples	SEARCH:SEARCH1:TRIGGER:A:BUS:AUTOETHERnet:DATA:VALUE "00001000" specifies 00001000 as the value to use when triggering on the AutoEthernet binary data field, assuming that SEARCH:SEARCH1:TRIGGER:A:BUS:AUTOETHERnet:DATA:SIZE is set to 1 byte. SEARCH:SEARCH1:TRIGGER:A:BUS:AUTOETHERnet:DATA:VALUE? might return SEARCH:SEARCH1:TRIGGER:A:BUS:AUTOETHERnet:DATA:VALUE "00001000", indicating 00001000 is the currently specified value used when searching on the AutoEthernet binary data field.

SEARCH:SEARCH<x>:TRIGger:A:BUS:AUTOETHERnet:ERRORTYPE

This command sets the Error Type to be used when triggering on an Auto Ethernet bus signal when speed is selected as 10 Base-T1S and packet view is ON.

Conditions	Requires option SR-AUTOEN1
Group	Search and Mark
Syntax	SEARCH:SEARCH<x>:TRIGger:A:BUS:AUTOETHERnet:ERRORTYPE {CRC ESDERR ESDJAB CHECKSUM ANY } SEARCH:SEARCH<x>:TRIGger:A:BUS:AUTOETHERnet:ERRORTYPE?
Arguments	SEARCH<x> is the Search number. CRC specifies the error type as CRC errors. ESDERR specifies the error type as ESDERR symbol. ESDJAB specifies the error type as ESDJAB symbol. CHECKSUM specifies the error type as checksum errors. ANY specifies the error type as any type of error.
Examples	SEARCH:SEARCH1:TRIGger:A:BUS:AUTOETHERnet:ERRORTYPE ESDJAB sets the error type for search 1 to ESDJAB. SEARCH:SEARCH1:TRIGger:A:BUS:AUTOETHERnet:ERRORTYPE? might return SEARCH:SEARCH1:TRIGger:A:BUS:AUTOETHERnet:ERRORTYPE ESDERR, indicating the error type for search 1 is set to ESDERR.

SEARCH:SEARCH<x>:TRIGger:A:BUS:AUTOETHERnet:ETHER:HEADer

This command sets the Header Type to be used when triggering for ether type on an Auto Ethernet bus signal when speed is selected as 10 Base-T1S and packet view is ON.

Conditions	Requires option SR-AUTOEN1
Group	Search and Mark
Syntax	SEARCH:SEARCH<x>:TRIGger:A:BUS:AUTOETHERnet:ETHER:HEADer {TCP ICMP UDP}

SEARCH:SEARCH<x>:TRIGger:A:BUS:AUTOETHERnet:ETHer:HEADer?

- Arguments** SEARCH<x> is the Search number.
- TCP specifies the header type as TCP header.
- ICMP specifies the header type as ICMP header.
- UDP specifies the header type as UDP header.

- Examples** SEARCH:SEARCH1:TRIGger:A:BUS:AUTOETHERnet:ETHer:HEADer ICMP sets the Header Type for search 1 to ICMP.
- SEARCH:SEARCH1:TRIGger:A:BUS:AUTOETHERnet:ETHer:HEADer? might return SEARCH:SEARCH1:TRIGger:A:BUS:AUTOETHERnet:ETHer:HEADer TCP, indicating that the Header Type for search 1 to TCP.

SEARCH:SEARCH<x>:TRIGger:A:BUS:AUTOETHERnet:ETHer:TYPE

This command sets the Ether Type to be used when triggering on an Auto Ethernet bus signal when speed is selected as 10 Base-T1S and packet view is ON.

- Conditions** Requires option SR-AUTOEN1
- Group** Search and Mark
- Syntax** SEARCH:SEARCH<x>:TRIGger:A:BUS:AUTOETHERnet:ETHer:TYPE {IPV4|IPV6}
SEARCH:SEARCH<x>:TRIGger:A:BUS:AUTOETHERnet:ETHer:TYPE?
- Arguments** SEARCH<x> is the Search number.
- IPV4 specifies the ether type as IPv4.
- IPV6 specifies the ether type as IPv6.
- Examples** SEARCH:SEARCH1:TRIGger:A:BUS:AUTOETHERnet:ETHer:TYPE IPV4 sets the Ether Type for search 1 to IPv4.
- SEARCH:SEARCH1:TRIGger:A:BUS:AUTOETHERnet:ETHer:TYPE? might return SEARCH:SEARCH1:TRIGger:A:BUS:AUTOETHERnet:ETHer:TYPE IPV6, indicating that the Ether Type for search 1 is set to IPv6.

SEARCH:SEARCH<x>:TRIGger:A:BUS:AUTOETHERnet:IPHeader:DESTINATIONaddr:VALue

This command sets or queries the binary destination address value to use when searching on an AutoEthernet bus signal. The search condition needs to be set to IPHeader.

Conditions Requires option SR-AUTOENET

The search condition needs to be set to IPHeader.

Group Search and Mark

Syntax SEARCH:SEARCH<x>:TRIGger:A:BUS:AUTOETHERnet:IPHeader:DESTINATIONaddr:VALue <QString>
SEARCH:SEARCH<x>:TRIGger:A:BUS:AUTOETHERnet:IPHeader:DESTINATIONaddr:VALue?

Related Commands [SEARCH:SEARCH<x>:TRIGger:A:BUS:AUTOETHERnet:CONDition](#)

Arguments SEARCH<x> is the Search number.

<Qstring> is a quoted string of up to 32 characters that sets the IP address, where the allowable characters are 0, 1, and X. The bits specified in the quoted string replace the least significant bits (LSB), leaving any unspecified upper bits unchanged.

Examples SEARCH:SEARCH1:TRIGGER:A:BUS:AUTOETHERnet:IPHEADER:DESTINATIONADDR:VALUE "11000000101010000000000000000001" specifies 192.168.0.1 as the value to use when searching on the AutoEthernet IPv4 header address destination field.

SEARCH:SEARCH1:TRIGGER:A:BUS:AUTOETHERnet:IPHEADER:DESTINATIONADDR:VALUE? might return
SEARCH:SEARCH1:TRIGGER:A:BUS:AUTOETHERnet:IPHEADER:DESTINATIONADDR:VALUE "11000000101010000000000000000001", indicating that 192.168.0.1 is the currently specified value used when searching on the AutoEthernet IPv4 header address destination field.

SEARCH:SEARCH<x>:TRIGger:A:BUS:AUTOETHERnet:IPHeader:PROTOcol:VALue

This command sets or queries the binary protocol value to use when searching on the Ethernet bus signal. The search condition needs to be set to IPHeader.

Conditions	Requires option SR-AUTOENET The search condition needs to be set to IPHeader.
Group	Search and Mark
Syntax	SEARCH:SEARCH<x>:TRIGger:A:BUS:AUTOETHERnet:IPHeader:PROTOcol:VALue <QString> SEARCH:SEARCH<x>:TRIGger:A:BUS:AUTOETHERnet:IPHeader:PROTOcol:VALue?

Related Commands [SEARCH:SEARCH<x>:TRIGger:A:BUS:AUTOETHERnet:CONDition](#)

Arguments	SEARCH<x> is the Search number. <QString> is a quoted string of up to eight (8) characters where the allowable characters are 0, 1, and X. The bits specified in the quoted string replace the least significant bits (LSB), leaving any unspecified upper bits unchanged.
------------------	-----------------------------------------------------------------------------------------------------------------------------------------------------------------------------------------------------------------------------------------------------------------------------------

Examples	SEARCH:SEARCH1:TRIGGER:A:BUS:AUTOETHERnet:IPHEADER:PROTOCOL:VALUE "01010010" specifies 01010010 as the value to use when searching on the AutoEthernet IP header protocol field. SEARCH:SEARCH1:TRIGGER:A:BUS:AUTOETHERnet:IPHEADER:PROTOCOL:VALUE? might return SEARCH:SEARCH1:TRIGGER:A:BUS:AUTOETHERnet:IPHEADER:PROTOCOL:VALUE "XXXXXXXX", indicating that the trigger value has been set to "don't care".
-----------------	--------------------------------------------------------------------------------------------------------------------------------------------------------------------------------------------------------------------------------------------------------------------------------------------------------------------------------------------------------------------------------------------------------------------------

SEARCH:SEARCH<x>:TRIGger:A:BUS:AUTOETHERnet:IPHeader:SOURceaddr:VALue

This command sets or queries the binary source address value to use when searching on an AutoEthernet bus signal. The search condition needs to be set to IPHeader.

Conditions	Requires option SR-AUTOENET The search condition needs to be set to IPHeader.
Group	Search and Mark
Syntax	SEARCH:SEARCH<x>:TRIGger:A:BUS:AUTOETHERnet:IPHeader:SOURceaddr:VALue <QString>

SEARCH:SEARCH<x>:TRIGger:A:BUS:AUTOETHERnet:IPHeader:SOURCEaddr:VALue?

Related Commands [SEARCH:SEARCH<x>:TRIGger:A:BUS:AUTOETHERnet:CONDition](#)

Arguments SEARCH<x> is the Search number.

<QString> is a quoted string of up to 32 characters, where the allowable characters are 0, 1, and X. The bits specified in the quoted string replace the least significant bits (LSB), leaving any unspecified upper bits unchanged.

Examples SEARCH:SEARCH1:TRIGGER:A:BUS:AUTOETHERnet:IPHEADER:SOURCEADDR:VALUE "11000000101010000000000000000001" specifies to use the value of 192.168.0.1 when searching on the AutoEthernet IP header address source field.

SEARCH:SEARCH1:TRIGGER:A:BUS:AUTOETHERnet:IPHEADER:SOURCEADDR:VALUE? might return
SEARCH:SEARCH1:TRIGGER:A:BUS:AUTOETHERnet:IPHEADER:SOURCEADDR:VALUE "11000000101010000000000000000001", indicating that the search value has been set to 192.168.0.1.

SEARCH:SEARCH<x>:TRIGger:A:BUS:AUTOETHERnet:MAC:ADDRESS:DESTination:VALue

This command sets or queries the binary MAC address destination value to use when searching on an AutoEthernet bus signal. The search condition needs to be set to MACADDRESS.

Conditions Requires option SR-AUTOENET

The search condition needs to be set to MACADDRESS.

Group Search and Mark

Syntax SEARCH:SEARCH<x>:TRIGger:A:BUS:AUTOETHERnet:MAC:ADDRESS:DESTination:VALue <QString>
SEARCH:SEARCH<x>:TRIGger:A:BUS:AUTOETHERnet:MAC:ADDRESS:DESTination:VALue ?

Related Commands [SEARCH:SEARCH<x>:TRIGger:A:BUS:AUTOETHERnet:CONDition](#)

Arguments SEARCH<x> is the Search number.

<QString> is a quoted string of up to 48 characters where the allowable characters are 0, 1, and X. The bits specified in the quoted string replace the least significant bits (LSB), leaving any unspecified upper bits unchanged.

Examples SEARCH:SEARCH1:TRIGGER:A:BUS:AUTOETHERnet:MAC:ADDRESS:DESTINATION:VALUE
 "XXXXXXXX0011010111111100000001111010101011001000" specifies to use the value of XX:35:FC:07:AA:C8 hex when searching on the Ethernet MAC address destination field.

SEARCH:SEARCH1:TRIGGER:A:BUS:AUTOETHERnet:MAC:ADDRESS:DESTINATION:VALUE? might return
 SEARCH:SEARCH1:TRIGGER:A:BUS:AUTOETHERnet:MAC:ADDRESS:DESTINATION:VALUE
 "XXXXXXXX0011010111111100000001111010101011001000", indicating a MAC address destination field value of XX:35:FC:07:AA:C8 hex.

SEARCH:SEARCH<x>:TRIGger:A:BUS:AUTOETHERnet:MAC:ADDRess:SOUrce:VALue

This command sets or queries the binary MAC address source value to use when searching on an AutoEthernet bus signal. The search condition needs to be set to MACADDRess.

Conditions Requires option SR-AUTOENET

The search condition needs to be set to MACADDRess.

Group Search and Mark

Syntax SEARCH:SEARCH<x>:TRIGger:A:BUS:AUTOETHERnet:MAC:ADDRess:SOUrce:VALue <QString>
 SEARCH:SEARCH<x>:TRIGger:A:BUS:AUTOETHERnet:MAC:ADDRess:SOUrce:VALue?

Related Commands [SEARCH:SEARCH<x>:TRIGger:A:BUS:AUTOETHERnet:CONDition](#)

Arguments SEARCH<x> is the Search number.

<QString> is a quoted string of up to 48 characters where the allowable characters are 0, 1, and X. The bits specified in the quoted string replace the least significant bits (LSB), leaving any unspecified upper bits unchanged.

Examples `SEARCH:SEARCH1:TRIGGER:A:BUS:AUTOETHERnet:MAC:ADDRESS:SOURCE:VALUE`
`"XXXXXXXX0011010111111100000001111010101011001000"` specifies to
use the value of XX:35:FC:07:AA:C8 hex when searching on the
Ethernet MAC address source field.

`SEARCH:SEARCH1:TRIGGER:A:BUS:AUTOETHERnet:MAC:ADDRESS:SOURCE:VALUE?`
might return
`SEARCH:SEARCH1:TRIGGER:A:BUS:AUTOETHERnet:MAC:ADDRESS:SOURCE:VALUE`
`"XXXXXXXX0011010111111100000001111010101011001000"`, indicating a
MAC address source field value of XX:35:FC:07:AA:C8 hex.

SEARCH:SEARCH<x>:TRIGger:A:BUS:AUTOETHERnet:MAC:LENgth:HIVALue

This command sets or queries the binary MAC length high value to use when searching on an AutoEthernet bus signal. The search condition needs to be set to MACADDRESS.

Conditions Requires option SR-AUTOENET
The search condition needs to be set to MACADDRESS.

Group Search and Mark

Syntax `SEARCH:SEARCH<x>:TRIGger:A:BUS:AUTOETHERnet:MAC:LENgth:`
`HIVALue <QString>`
`SEARCH:SEARCH<x>:TRIGger:A:BUS:AUTOETHERnet:MAC:LENgth:`
`HIVALue?`

Related Commands [SEARCH:SEARCH<x>:TRIGger:A:BUS:AUTOETHERnet:CONDition](#)

Arguments `SEARCH<x>` is the Search number.

`<QString>` is a quoted string of up to 16 characters where the allowable characters are 0, 1, and X. The bits specified in the quoted string replace the least significant bits (LSB), leaving any unspecified upper bits unchanged.

Examples `SEARCH:SEARCH1:TRIGGER:A:BUS:AUTOETHERnet:MAC:LENgth:HIVALUE`
`"XXXXXXXX00001000"` specifies to use the hexadecimal value XX08 when
searching on the AutoEthernet MAC length.

`SEARCH:SEARCH1:TRIGGER:A:BUS:AUTOETHERnet:MAC:LENgth:HIVALUE?`
might return
`SEARCH:SEARCH1:TRIGGER:A:BUS:AUTOETHERnet:MAC:LENgth:HIVALUE`

"XXXXXXXX00001000", indicating an AutoEthernet MAC length value of XX08 hex.

SEARCH:SEARCH<x>:TRIGger:A:BUS:AUTOETHERnet:MAC:LENGth:VALue

This command sets or queries the MAC length value to use when searching on an Ethernet bus signal. The search condition needs to be set to MACADDRess.

Conditions	Requires option SR-AUTOENET The search condition needs to be set to MACADDRess.
Group	Search and Mark
Syntax	SEARCH:SEARCH<x>:TRIGger:A:BUS:AUTOETHERnet:MAC:LENGth:VALue <QString> SEARCH:SEARCH<x>:TRIGger:A:BUS:AUTOETHERnet:MAC:LENGth:VALue?
Related Commands	SEARCH:SEARCH<x>:TRIGger:A:BUS:AUTOETHERnet:CONDition
Arguments	SEARCH<x> is the Search number. <QString> is a quoted string of up to 16 characters where the allowable characters are 0, 1, and X. The bits specified in the quoted string replace the least significant bits (LSB), leaving any unspecified upper bits unchanged.
Examples	SEARCH:SEARCH1:TRIGGER:A:BUS:AUTOETHERnet:MAC:LENGTH:HIVALUE "XXXXXXXX00001000" specifies to use the hexadecimal value XX08 when searching on the AutoEthernet MAC length. SEARCH:SEARCH1:TRIGGER:A:BUS:AUTOETHERnet:MAC:LENGTH:HIVALUE? might return SEARCH:SEARCH1:TRIGGER:A:BUS:AUTOETHERnet:MAC:LENGTH:HIVALUE "XXXXXXXX00001000", indicating an AutoEthernet MAC length value of XX08 hex.

SEARCH:SEARCH<x>:TRIGger:A:BUS:AUTOETHERnet:PAYLoad:SIze

This command sets the length of the data string, in bytes, to be used when triggering on an Auto Ethernet bus signal when speed is 10 Base-T1S and packet view is ON.

Conditions	Requires option SR-AUTOEN1.
Group	Search and Mark
Syntax	SEARCH:SEARCH<x>:TRIGger:A:BUS:AUTOETHERnet:PAYLoad:SIZE <NR1> SEARCH:SEARCH<x>:TRIGger:A:BUS:AUTOETHERnet:PAYLoad:SIZE?
Arguments	<NR1> sets the payload length, in bytes. It is an integer value whose minimum and default values are 1 and the maximum value is 16.
Examples	SEARCH:SEARCH1:TRIGger:A:BUS:AUTOETHERnet:PAYLoad:SIZE 2 sets the payload length for search 1 to 2 bytes. SEARCH:SEARCH1:TRIGger:A:BUS:AUTOETHERnet:PAYLoad:SIZE? might return SEARCH:SEARCH1:TRIGger:A:BUS:AUTOETHERnet:PAYLoad:SIZE 4, indicating that the payload length for search 1 is set to 4 bytes.

SEARCH:SEARCH<x>:TRIGger:A:BUS:AUTOETHERnet:PAYLoad:VALue

This command sets payload value to be used when triggering on an Auto Ethernet bus signal when speed is 10 Base-T1S and packet view is ON.

Conditions	Requires option SR-AUTOEN1.
Group	Search and Mark
Syntax	SEARCH:SEARCH<x>:TRIGger:A:BUS:AUTOETHERnet:PAYLoad:VALue <NR1> SEARCH:SEARCH<x>:TRIGger:A:BUS:AUTOETHERnet:PAYLoad:VALue?
Arguments	<Qstring> is a quoted string where the allowable characters are 0, 1, and X. The allowable number of characters depends on the setting for size (using SEARCH:SEARCH<x>:TRIGger:A:BUS:AUTOETHERnet:PAYLoad:SIZE). The bits specified in the quoted string replace the least significant bits (LSB), leaving any unspecified upper bits unchanged. The default value is XXXXXXXX.
Examples	SEARCH:SEARCH1:TRIGger:A:BUS:AUTOETHERnet:PAYLoad:VALue 00000011 sets the payload value for search 1 to 00000011.

```
SEARCH:SEARCH1:TRIGger:A:BUS:AUTOETHERnet:PAYLoad:VALue?
might return
SEARCH:SEARCH1:TRIGger:A:BUS:AUTOETHERnet:PAYLoad:VALue
0000001100110101, indicating that the payload value for search 1 is set to
0000001100110101.
```

SEARCH:SEARCH<x>:TRIGger:A:BUS:AUTOETHERnet:QTAG:VALue

This command sets or queries the binary Q-tag information to use when searching on an AutoEthernet bus signal. The search condition needs to be set to QTAG.

Conditions Requires option SR-AUTOENET

The search condition needs to be set to QTAG.

Group Search and Mark

Syntax SEARCH:SEARCH<x>:TRIGger:A:BUS:AUTOETHERnet:QTAG:VALue
<QString>
SEARCH:SEARCH<x>:TRIGger:A:BUS:AUTOETHERnet:QTAG:VALue?

Related Commands [SEARCH:SEARCH<x>:TRIGger:A:BUS:AUTOETHERnet:CONDition](#)

Arguments SEARCH<x> is the Search number.

<QString> is a quoted string of up to 32 characters where the allowable characters are 0, 1, and X. The bits specified in the quoted string replace the least significant bits (LSB), leaving any unspecified upper bits unchanged.

Examples SEARCH:SEARCH1:TRIGGER:A:BUS:AUTOETHERnet:QTAG:VALUE
"XXXXXXXXXXXXXXXXXXXX010010001010" specifies to use the value of hexadecimal XXXXX48A when searching on the AutoEthernet Q-Tag field.

SEARCH:SEARCH1:TRIGGER:A:BUS:AUTOETHERnet:QTAG:VALUE? might return SEARCH:SEARCH1:TRIGGER:A:BUS:AUTOETHERnet:QTAG:VALUE
"XXXXXXXXXXXXXXXXXXXX010010001010", indicating that hexadecimal XXXXX48A has been set as the AutoEthernet Q-Tag field search value.

SEARCH:SEARCH<x>:TRIGger:A:BUS:AUTOETHERnet:QUALifier

This command sets or queries the qualifier to be used when searching on an AutoEthernet bus signal. The search condition must be set to Client Data or MAC Length/Type.

Conditions	Requires option SR-AUTOENET The search condition must be set to Client Data or MAC Length/Type.
Group	Search and Mark
Syntax	SEARCH:SEARCH<x>:TRIGger:A:BUS:AUTOETHERnet:QUALifier {LESSthan MOREthan Equal UNEQUAL LESSEQUAL MOREEQUAL INrange OUTrange} SEARCH:SEARCH<x>:TRIGger:A:BUS:AUTOETHERnet:QUALifier?
Related Commands	SEARCH:SEARCH<x>:TRIGger:A:BUS:AUTOETHERnet:CONDition

Arguments	SEARCH<x> is the Search number. LESSthan sets the qualifier to less than. MOREthan sets the qualifier to greater than. Equal sets the qualifier to equal. UNEQUAL sets the qualifier to not equal. LESSEQUAL sets the qualifier to less than or equal. MOREEQUAL sets the qualifier to greater than or equal. INrange sets the qualifier to in range. OUTrange sets the qualifier to out of range.
------------------	----------------------------------------------------------------------------------------------------------------------------------------------------------------------------------------------------------------------------------------------------------------------------------------------------------------------------------------------------------------------------------------------------------------------------

Examples	SEARCH:SEARCH1:TRIGGER:A:BUS:AUTOETHERnet:QUALIFIER LESSTHAN sets the qualifier to "less than". SEARCH:SEARCH1:TRIGGER:A:BUS:AUTOETHERnet:QUALIFIER? might return SEARCH:SEARCH1:TRIGGER:A:BUS:AUTOETHERnet:QUALIFIER EQUAL, indicating that the qualifier is set to EQUAL.
-----------------	---------------------------------------------------------------------------------------------------------------------------------------------------------------------------------------------------------------------------------------------------------------------------------------------

SEARCH:SEARCH<x>:TRIGger:A:BUS:AUTOETHERnet:TBT1s:DATa:LENgth

This command sets the length of the data (in bytes) for data pattern to be used when triggering on an Auto Ethernet bus signal when speed is 10 Base-T1S and packet view is OFF.

Conditions Requires option SR-AUTOEN1

Group Search and Mark

Syntax SEARCH:SEARCH<x>:TRIGger:A:BUS:AUTOETHERnet:TBT1s:DATa:
LENgth <NR1>
SEARCH:SEARCH<x>:TRIGger:A:BUS:AUTOETHERnet:TBT1s:DATa:
LENgth?

Arguments SEARCH<x> is the Search number.

<NR1> sets the data length, in bytes. It is an integer value whose minimum and default values are 1, and the maximum value is 16.

Examples SEARCH:SEARCH1:TRIGger:A:BUS:AUTOETHERnet:TBT1s:DATa:LENgth
2 sets the data length for search 1 to 2 bytes.

SEARCH:SEARCH1:TRIGger:A:BUS:AUTOETHERnet:TBT1s:DATa:LENgth?
might return
SEARCH:SEARCH1:TRIGger:A:BUS:AUTOETHERnet:TBT1s:DATa:LENgth
4, indicating that the data length for search 1 is set to 4 bytes.

SEARCH:SEARCH<x>:TRIGger:A:BUS:AUTOETHERnet:TBT1s:DATa:VALue

This command sets Data value for data string to be used when triggering on an Auto Ethernet bus signal when speed is 10 Base-T1S and packet view is OFF.

Conditions Requires option SR-AUTOEN1

Group Search and Mark

Syntax SEARCH:SEARCH<x>:TRIGger:A:BUS:AUTOETHERnet:TBT1s:DATa:VALue
<QString>
SEARCH:SEARCH<x>:TRIGger:A:BUS:AUTOETHERnet:TBT1s:DATa:
VALue?

Arguments SEARCH<x> is the Search number.

<QString> is a quoted string where the allowable characters are 0, 1, and X. The allowable number of characters depends on the setting for size (using SEARCH:SEARCH<x>:TRIGGER:A:BUS:AUTOETHERnet:TBT1s:DATA:LENGTH). The bits specified in the quoted string replace the least significant bits (LSB), leaving any unspecified upper bits unchanged.

Examples SEARCH:SEARCH1:TRIGGER:A:BUS:AUTOETHERnet:TBT1s:DATA:VALUE 00000011 sets the payload value for search 1 to 00000011.

SEARCH:SEARCH1:TRIGGER:A:BUS:AUTOETHERnet:TBT1s:DATA:VALUE? might return
SEARCH:SEARCH1:TRIGGER:A:BUS:AUTOETHERnet:TBT1s:DATA:VALUE 0000001100110101, indicating that the data value for search 1 is set to 0000001100110101.

SEARCH:SEARCH<x>:TRIGGER:A:BUS:AUTOETHERnet:TCPHeader:ACKnum:VALUE

This command sets or queries the binary ack number value to use when searching on an AutoEthernet bus signal. The default is all X's (don't care). The search condition needs to be set to TCPHeader.

Conditions Requires option SR-AUTOENET

The search condition needs to be set to TCPHeader.

Group Search and Mark

Syntax SEARCH:SEARCH<x>:TRIGGER:A:BUS:AUTOETHERnet:TCPHeader:ACKnum:VALUE <QString>

SEARCH:SEARCH<x>:TRIGGER:A:BUS:AUTOETHERnet:TCPHeader:ACKnum:VALUE?

Related Commands [SEARCH:SEARCH<x>:TRIGGER:A:BUS:AUTOETHERnet:CONDITION](#)

Arguments SEARCH<x> is the Search number.

<QString> is a quoted string of up to 32 characters where the allowable characters are 0, 1, and X. The bits specified in the quoted string replace the least significant bits (LSB), leaving any unspecified upper bits unchanged.

Examples `SEARCH:SEARCH1:TRIGGER:A:BUS:AUTOETHERnet:TCPHEADER:ACKNUM:VALUE "XXXXXXXXXXXXXXXXXXXX00001000"` specifies hexadecimal `XXXXXX08` as the value to use when searching on the AutoEthernet TCP header acknowledgement number.

`SEARCH:SEARCH1:TRIGGER:A:BUS:AUTOETHERnet:TCPHEADER:ACKNUM:VALUE?` might return `SEARCH:SEARCH1:TRIGGER:A:BUS:AUTOETHERnet:TCPHEADER:ACKNUM:VALUE "XXXXXXXXXXXXXXXXXXXX00001000"`, indicating that hexadecimal `XXXXXX08` has been specified as the value to use when searching on the Auto Ethernet TCP header acknowledgement number.

SEARCH:SEARCH<x>:TRIGger:A:BUS:AUTOETHERnet:TCPHeader:DESTinationport:VA

This command sets or queries the binary destination port value to use when searching on the AutoEthernet TCP header destination port number. The search condition needs to be set to TCPHeader.

Conditions Requires option SR-AUTOENET
The search condition needs to be set to TCPHeader.

Group Search and Mark

Syntax `SEARCH:SEARCH<x>:TRIGger:A:BUS:AUTOETHERnet:TCPHeader:DESTINATIONport:VALue <Qstring>`
`SEARCH:SEARCH<x>:TRIGger:A:BUS:AUTOETHERnet:TCPHeader:DESTINATIONport:VALue?`

Related Commands [SEARCH:SEARCH<x>:TRIGger:A:BUS:AUTOETHERnet:CONDition](#)

Arguments `SEARCH<x>` is the Search number.
`<Qstring>` is a quoted string of up to 16 characters where the allowable characters are 0, 1, and X. The bits specified in the quoted string replace the least significant bits (LSB), leaving any unspecified upper bits unchanged.

Examples `SEARCH:SEARCH1:TRIGGER:A:BUS:AUTOETHERnet:TCPHEADER:DESTINATIONPORT:VALUE "XXXXXXXX00100010"` specifies to use the value of hexadecimal `XX22` when searching on the AutoEthernet TCP header destination port number.

`SEARCH:SEARCH1:TRIGGER:A:BUS:AUTOETHERnet:TCPHEADER:DESTINATIONPORT:VALUE?` might return

SEARCH:SEARCH1:TRIGGER:A:BUS:AUTOETHERnet:TCPHEADER:DESTINATIONPORT:VALUE "XXXXXXXX00100010", indicating that hexadecimal XX22 has been set as the value to use when searching on the AutoEthernet TCP header destination port number.

SEARCH:SEARCH<x>:TRIGger:A:BUS:AUTOETHERnet:TCPHeader:SEQnum:VALue

This command sets or queries the TCP header sequence number value to use when searching on the AutoEthernet TCP header destination port number. The search condition needs to be set to TCPHeader.

Conditions Requires option SR-AUTOENET

The search condition needs to be set to TCPHeader.

Group Search and Mark

Syntax SEARCH:SEARCH<x>:TRIGger:A:BUS:AUTOETHERnet:TCPHeader:SEQnum:VALue <QString>
SEARCH:SEARCH<x>:TRIGger:A:BUS:AUTOETHERnet:TCPHeader:SEQnum:VALue?

Related Commands [SEARCH:SEARCH<x>:TRIGger:A:BUS:AUTOETHERnet:CONDition](#)

Arguments SEARCH<x> is the Search number.

<QString> is a quoted string of up to 32 characters where the allowable characters are 0, 1, and X. The bits specified in the quoted string replace the least significant bits (LSB), leaving any unspecified upper bits unchanged.

Examples SEARCH:SEARCH1:TRIGGER:A:BUS:AUTOETHERnet:TCPHEADER:SEQNUM:VALUE "XXXXXXXXXXXXXXXXXXXXXXXX000100010001" specifies to use the value of hexadecimal XXXXX111 when searching on the AutoEthernet TCP header sequence number.

SEARCH:SEARCH1:TRIGGER:A:BUS:AUTOETHERnet:TCPHEADER:SEQNUM:VALUE? might return

SEARCH:SEARCH1:TRIGGER:A:BUS:AUTOETHERnet:TCPHEADER:SEQNUM:VALUE "XXXXXXXXXXXXXXXXXXXXXXXX0010010100", indicating that hexadecimal XXXXX111 has been specified as the value to use when searching on the AutoEthernet TCP header sequence number.

SEARCH:SEARCH<x>:TRIGger:A:BUS:AUTOETHERnet:TCPHeader:SOUrceport:VALue

This command sets or queries the binary source port value to use when searching on an AutoEthernet bus signal. The search condition needs to be set to TCPHeader.

Conditions Requires option SR-AUTOENET

The search condition needs to be set to TCPHeader.

Group Search and Mark

Syntax SEARCH:SEARCH<x>:TRIGger:A:BUS:AUTOETHERnet:TCPHeader:
SOUrceport:VALue <QString>
SEARCH:SEARCH<x>:TRIGger:A:BUS:AUTOETHERnet:TCPHeader:
SOUrceport:VALue?

Related Commands [SEARCH:SEARCH<x>:TRIGger:A:BUS:AUTOETHERnet:CONDition](#)

Arguments SEARCH<x> is the Search number.

<QString> is a quoted string of up to 16 characters where the allowable characters are 0, 1, and X. The bits specified in the quoted string replace the least significant bits (LSB), leaving any unspecified upper bits unchanged.

Examples SEARCH:SEARCH1:TRIGGER:A:BUS:AUTOETHERnet:TCPHEADER:SOURCEPORT:VALUE
"XXXX000010100110" specifies to use the value of hexadecimal X0A6 when
searching on the AutoEthernet TCP header source port number.

SEARCH:SEARCH1:TRIGGER:A:BUS:AUTOETHERnet:TCPHEADER:SOURCEPORT:VALUE
might return
SEARCH:SEARCH1:TRIGGER:A:BUS:AUTOETHERnet:TCPHEADER:SOURCEPORT:VALUE
"XXXXX01001010110", indicating that hexadecimal X0A6 has been specified as
the value to use when searching on the Ethernet TCP header source port number.

SEARCH:SEARCH<x>:TRIGger:A:BUS:CAN:ADS:TYPE

This command sets or queries the trigger condition for a CAN bus on the ADS bits. The search number is specified by x.

Conditions Requires option SRAUTO.

Group Search and Mark

Syntax SEARCH:SEARCH<x>:TRIGger:A:BUS:CAN:ADS:TYPE {ADH| DH1| DH2| DL1}
SEARCH:SEARCH<x>:TRIGger:A:BUS:CAN:ADS:TYPE?

Arguments ADH specifies the ADS Type for a CAN bus as Arbitration to Data high.
DH1 specifies the ADS Type for a CAN bus as Data High bit 1.
DH2 specifies the ADS Type for a CAN bus as Data High bit 2.
DL1 specifies the ADS Type for a CAN bus as Data Low bit 1.

Examples SEARCH:SEARCH1:TRIGger:A:BUS:CAN:ADS:TYPE ADH sets the ADS Type to Arbitration to Data high.
SEARCH:SEARCH1:TRIGger:A:BUS:CAN:ADS:TYPE? might return :SEARCH:SEARCH1:TRIGger:A:BUS:CAN:ADS:TYPE DH2, indicating the ADS Type is set to Data High bit 2.

SEARCH:SEARCH<x>:TRIGger:A:BUS:CAN:CONDition

This command sets or queries the search condition for a CAN bus. The search number is specified by x.

Conditions Requires option 5-SRAUTO or SUP5-SRAUTO Triggering and Analysis application.

Group Search and Mark

Syntax SEARCH:SEARCH<x>:TRIGger:A:BUS:CAN:CONDition {SOF| FRAMEtype| IDentifier| DATA| IDANDDATA| EOF| ERROR| FDBITS}
SEARCH:SEARCH<x>:TRIGger:A:BUS:CAN:CONDition?

Arguments SOF specifies the search condition for a CAN bus as start of frame.
FRAMEtype specifies the search condition for a CAN bus as frame type.
IDentifier specifies the search condition for a CAN bus as identifier.
DATA specifies the search condition for a CAN bus as data.
IDANDDATA specifies the search condition for a CAN bus as ID and data.
EOF specifies the search condition for a CAN bus as end of frame.
ERROR specifies the search condition for a CAN bus as error.

FDBITS specifies the search condition for a CAN bus as FD bits.

Examples SEARCH:SEARCH1:TRIGger:A:BUS:CAN:CONDition EOF sets the CAN bus trigger condition to end of frame.

SEARCH:SEARCH1:TRIGger:A:BUS:CAN:CONDition? might return SEARCH:SEARCH1:TRIGGER:A:BUS:CAN:CONDITION SOF, indicating the CAN bus trigger condition is set to start of frame.

SEARCH:SEARCH<x>:TRIGger:A:BUS:CAN:CRCType

This command specifies the CAN XL trigger type to be valid on PCRC and FCRC. The search number is specified by x.

Conditions Requires option SRAUTO.

Group Search and Mark

Syntax SEARCH:SEARCH<x>:TRIGger:A:BUS:CAN:CRCType {PCRC|FCRC}
SEARCH:SEARCH<x>:TRIGger:A:BUS:CAN:CRCType?

Arguments PCRC specifies error type as CRC13.
FCRC FCRC specifies error type as CRC32.

Examples SEARCH:SEARCH1:TRIGger:A:BUS:CAN:CRCType PCRC sets the CRC type to CRC13.

SEARCH:SEARCH1:TRIGger:A:BUS:CAN:CRCType? might return :SEARCH:SEARCH1:TRIGger:A:BUS:CAN:CRCType PCRC, indicating the CRC type is CRC13.

SEARCH:SEARCH<x>:TRIGger:A:BUS:CAN:DAS:TYPE

This command sets or queries the trigger condition for a CAN bus on the DAS bits. The search number is specified by x.

Conditions Requires option SRAUTO.

Group Search and Mark

Syntax SEARCH:SEARCH<x>:TRIGger:A:BUS:CAN:DAS:TYPE
{DAH|AH1|AH2|AL1}
SEARCH:SEARCH<x>:TRIGger:A:BUS:CAN:DAS:TYPE?

Arguments DAH specifies the DAS Type as Data to Arbitration High bit.
AH1 specifies the DAS Type as Arbitration High bit 1.
AH2 specifies the DAS Type as Arbitration High bit 2.
AL1 specifies the DAS Type as Arbitration Low bit 1.

Examples SEARCH:SEARCH1:TRIGger:A:BUS:CAN:DAS:TYPE DAH sets the DAS type as Data to Arbitration High bit.
SEARCH:SEARCH1:TRIGger:A:BUS:CAN:DAS:TYPE? might return :SEARCH:SEARCH1:TRIGger:A:BUS:CAN:DAS:TYPE DAH, indicating the DAS type is Data to Arbitration High bit.

SEARCH:SEARCH<x>:TRIGger:A:BUS:CAN:DATA:DIRection

This command specifies the CAN search type to be valid on a Read, Write, or Either condition. The search number is specified by x.

Group Search and Mark

Syntax SEARCH:SEARCH<x>:TRIGger:A:BUS:CAN:DATA:DIRection
{READ|WRITE|NOCARE}
SEARCH:SEARCH<x>:TRIGger:A:BUS:CAN:DATA:DIRection?

Arguments READ specifies the read direction.
WRITE specifies the write direction.
NOCARE specifies either data direction.

Examples SEARCH:SEARCH1:TRIGger:A:BUS:CAN:DATA:DIRection READ sets the data direction to READ.
SEARCH:SEARCH1:TRIGger:A:BUS:CAN:DATA:DIRection? might return SEARCH:SEARCH1:TRIGGER:A:BUS:CAN:DATA:DIRECTION NOCARE, indicating the data direction is set to either data direction.

SEARCH:SEARCH<x>:TRIGger:A:BUS:CAN:DATA:OFFSet

This command sets or queries the data offset value, in bytes, to use when searching on the CAN data field. The search number is specified by x. The search condition must be set to DATA or IDANDDATA.

Conditions Requires option 5-SRAERO or SUP5-SRAERO Triggering and Analysis application.

Group Search and Mark

Syntax SEARCH:SEARCH<x>:TRIGger:A:BUS:CAN:DATA:OFFSet <NR1>
SEARCH:SEARCH<x>:TRIGger:A:BUS:CAN:DATA:OFFSet?

Related Commands [BUS:B<x>:CAN:STANDARD](#)
[SEARCH:SEARCH<x>:TRIGger:A:BUS:CAN:DATA:SIZE](#)
[SEARCH:SEARCH<x>:TRIGger:A:BUS:CAN:DATA:VALue](#)

Arguments <NR1> is an integer whose minimum and default values are -1 (don't care) and maximum is up to 7 (for CAN 2.0) or up to 63 (for ISO CAN FD and Non-ISO CAN FD). The maximum is dependent on the number of bytes being matched and the CAN standard selected. Its value is calculated as [Absolute Maximum] - [Data Match Size]. For CAN 2.0, the absolute maximum is 8 bytes. For ISO CAN FD and Non-ISO CAN FD, the absolute maximum is 64 bytes. The minimum data match size is 1 byte, which produces the ranges listed above. Increasing the data match size above 1 byte will adjust the range of valid data offset values accordingly.

Examples SEARCH:SEARCH1:TRIGGER:A:BUS:CAN:DATA:OFFSET 5 sets the CAN data offset to 5 bytes.

SEARCH:SEARCH1:TRIGGER:A:BUS:CAN:DATA:OFFSET? might return 7, indicating the CAN data offset is 7 bytes. If the CAN standard is set for CAN 2.0 and the search data size is set to 3, the maximum value for the data offset will be 5 (8 - 3 = 5). If the CAN standard is set for ISO CAN FD or Non-ISO CAN FD and the search data size is set to 8, the maximum value for the data offset will be 56 (64 - 8 = 56).

SEARCH:SEARCH<x>:TRIGger:A:BUS:CAN:DATA:QUALifier

This command sets or queries the CAN bus trigger data qualifier to be used when searching on a CAN bus signal. The search number is specified by x.

Conditions	Requires option 5-SRAUTO or SUP5-SRAUTO Triggering and Analysis application.
Group	Search and Mark
Syntax	SEARCH:SEARCH<x>:TRIGger:A:BUS:CAN:DATA:QUALifier {EQua1 LESSEQua1 MOREEQua1 UNEQua1 LESSthan MOREthan} SEARCH:SEARCH<x>:TRIGger:A:BUS:CAN:DATA:QUALifier?
Arguments	EQua1 sets the data qualifier to equal. LESSEQua1 sets the data qualifier to less equal. MOREEQua1 sets the data qualifier to more equal. UNEQua1 sets the data qualifier to unequal. LESSthan sets the data qualifier to less than. MOREthan sets the data qualifier to more than.
Examples	SEARCH:SEARCH1:TRIGger:A:BUS:CAN:DATA:QUALifier UNEQua1 sets the data qualifier to unequal. SEARCH:SEARCH1:TRIGger:A:BUS:CAN:DATA:QUALifier? might return SEARCH:SEARCH1:TRIGGER:A:BUS:CAN:DATA:QUALIFIER EQUAL, indicating that the data qualifier is set to equal.

SEARCH:SEARCH<x>:TRIGger:A:BUS:CAN:DATA:SIZE

This command sets or queries the length of the data string, in bytes, to be used when searching on a CAN bus signal. The search condition must be set to IDANDDATA or DATA. The search number is specified by x.

Conditions	Requires option 5-SRAUTO or SUP5-SRAUTO Triggering and Analysis application.
Group	Search and Mark

Syntax	SEARCH:SEARCH<x>:TRIGger:A:BUS:CAN:DATA:SIZE <NR1> SEARCH:SEARCH<x>:TRIGger:A:BUS:CAN:DATA:SIZE?
Arguments	<NR1> specifies the data size.
Examples	SEARCH:SEARCH1:TRIGger:A:BUS:CAN:DATA:SIZE 1 sets the data size to 1. SEARCH:SEARCH1:TRIGger:A:BUS:CAN:DATA:SIZE? might return SEARCH:SEARCH1:TRIGGER:A:BUS:CAN:DATA:SIZE 1, indicating the data size is set to 1.

SEARCH:SEARCH<x>:TRIGger:A:BUS:CAN:DATA:VALue

This command sets or queries the binary data value to be used when searching on a CAN bus signal. The search condition must be set to IDANDDATA OR DATA.

Group	Search and Mark
Syntax	SEARCH:SEARCH<x>:TRIGger:A:BUS:CAN:DATA:VALue <QString>
Arguments	<QString>
Examples	SEARCH:SEARCH1:TRIGger:A:BUS:CAN:DATA:VALue "1111" sets the data value to 1111. SEARCH:SEARCH1:TRIGger:A:BUS:CAN:DATA:VALue? might return SEARCH:SEARCH1:TRIGGER:A:BUS:CAN:DATA:VALUE "1010" indicating the data value is 1010.

SEARCH:SEARCH<x>:TRIGger:A:BUS:CAN:DATA:XLBITType

This command sets or queries the trigger condition for a CAN bus on the XL Data bits. The search number is specified by x.

Conditions	Requires option SRAUTO.
Group	Search and Mark
Syntax	SEARCH:SEARCH<x>:TRIGger:A:BUS:CAN:DATA:XLBITType {AF VCID SDT SEC SBC ADS DAS}

SEARCH:SEARCH<x>:TRIGger:A:BUS:CAN:DATA:XLBITType?

Arguments AF specifies the XL bit type to Acceptance Field.
 VCID specifies the XL bit type to Virtual CAN Network ID.
 SDT specifies the XL bit type to Device Data Unit type.
 SEC specifies the XL bit type to Simple extended content.
 SBC specifies the XL bit type to Stuff Bit Count.
 ADS specifies the XL bit type to Arbitration to Data sequence.
 DAS specifies the XL bit type to Data to Arbitration sequence.

Examples SEARCH:SEARCH1:TRIGger:A:BUS:CAN:DATA:XLBITType AF sets the XL bit type as Acceptance Fieldt.
 SEARCH:SEARCH1:TRIGger:A:BUS:CAN:DATA:XLBITType? might return :SEARCH:SEARCH1:TRIGger:A:BUS:CAN:DATA:XLBITType AF, indicating the XL bit type is Acceptance Field.

SEARCH:SEARCH<x>:TRIGger:A:BUS:CAN:ERRType

This command sets or queries the type of error condition for a CAN bus to search on. The search number is specified by x. The search condition must be set to ERRor.

Conditions Requires option 5-SRAERO or SUP5-SRAERO Triggering and Analysis application.

Group Search and Mark

Syntax SEARCH:SEARCH<x>:TRIGger:A:BUS:CAN:ERRType {ACKMISS|BITSTUFFing|FORMError|x\FORMError|CRC|ANYError}
 SEARCH:SEARCH<x>:TRIGger:A:BUS:CAN:ERRType?

Arguments ACKMISS specifies a search based on a missing ACK field.
 BITSTUFFing specifies a search based on a bit stuffing error.
 FORMError specifies a search based on a CAN FD form error. To use this option, the CAN standard must be set to FDISO or FDNONISO.
 x\FORMError specifies a search based on a XL form error.

CRC specifies a search based on a CRC error.

ANYERROR specifies a search based on any error type.

Examples SEARCH:SEARCH1:TRIGGER:A:BUS:CAN:ERRTYPE ACKMISS specifies searching for any missing ACK fields.

SEARCH:SEARCH1:TRIGGER:A:BUS:CAN:ERRTYPE? might return ANYERROR, indicating that the bus is being searched for all error types.

SEARCH:SEARCH<x>:TRIGger:A:BUS:CAN:FD:BRSBit

This command sets or queries the value of the bit rate switch bit (BRS bit) for a CAN bus to search on. The search number is specified by x. The search condition must be set to FDBITS, and the CAN standard must be FDISO or FDNONISO.

Conditions Requires option 5-SRAERO or SUP5-SRAERO Triggering and Analysis application.

Group Search and Mark

Syntax SEARCH:SEARCH<x>:TRIGger:A:BUS:CAN:FD:BRSBit
{ONE|ZERO|NOCARE}
SEARCH:SEARCH<x>:TRIGger:A:BUS:CAN:FD:BRSBit?

Arguments ONE filters CAN FD packets to only match those where the BRS bit has a value of 1 (fast data enabled).

ZERO filters CAN FD packets to only match those where the BRS bit has a value of 0 (fast data disabled).

NOCARE disables filtering of CAN FD packets on the BRS bit.

Examples SEARCH:SEARCH1:TRIGGER:A:BUS:CAN:FD:BRSBit ONE specifies filtering CAN FD packets for those where the BRS bit has a value of 1.

SEARCH:SEARCH1:TRIGGER:A:BUS:CAN:FD:BRSBIT? might return NOCARE, indicating that CAN FD packets are not being filtered based on the BRS bit value.

SEARCH:SEARCH<x>:TRIGger:A:BUS:CAN:FD:ESIBit

This command sets or queries the value of the error state indicator bit (ESI bit) for a CAN bus to search on. The search number is specified by x. The search condition must be set to FDBITS, and the CAN standard must be FDISO or FDNONISO.

Conditions	Requires option 5-SRAERO or SUP5-SRAERO Triggering and Analysis application.
Group	Search and Mark
Syntax	SEARCH:SEARCH<x>:TRIGger:A:BUS:CAN:FD:ESIBit {ONE ZERO NOCARE} SEARCH:SEARCH<x>:TRIGger:A:BUS:CAN:FD:ESIBit?
Arguments	ONE filters CAN FD packets to only match those where the ESI bit has a value of 1 (recessive). ZERO filters CAN FD packets to only match those where the ESI bit has a value of 0 (dominant). NOCARE disables filtering of CAN FD packets on the ESI bit.
Examples	SEARCH:SEARCH1:TRIGGER:A:BUS:CAN:FD:ESIBit ONE specifies filtering CAN FD packets for those where the ESI bit has a value of 1. SEARCH:SEARCH1:TRIGGER:A:BUS:CAN:FD:ESIBIT? might return NOCARE, indicating that CAN FD packets are not being filtered based on the ESI bit value.

SEARCH:SEARCH<x>:TRIGger:A:BUS:CAN:FRAMetype

This command sets or queries CAN bus trigger frame type to be used when searching on a CAN bus signal. The search condition must be set to FRAMetype. The search number is specified by x.

Conditions	Requires option 5-SRAUTO or SUP5-SRAUTO Triggering and Analysis application.
Group	Search and Mark

Syntax	SEARCH:SEARCH<x>:TRIGger:A:BUS:CAN:FRAMeType {DATA ERRor OVERLoad REMote xldata} SEARCH:SEARCH<x>:TRIGger:A:BUS:CAN:FRAMeType?
Arguments	<p>DATA sets the frame type to data.</p> <p>ERRor sets the frame type to error.</p> <p>OVERLoad sets the frame type to overload.</p> <p>REMote sets the frame type to remote.</p> <p>xldata sets the frame type to XL data.</p>
Examples	<p>SEARCH:SEARCH1:TRIGger:A:BUS:CAN:FRAMeType ERRor sets the frame type to error.</p> <p>SEARCH:SEARCH1:TRIGger:A:BUS:CAN:FRAMeType? might return SEARCH:SEARCH1:TRIGGER:A:BUS:CAN:FRAMETYPE DATA, indicates the frame type is set to data.</p>

SEARCH:SEARCH<x>:TRIGger:A:BUS:CAN:IDentifier:MODE

This command sets or queries the CAN bus trigger identifier (address) mode to be used when searching on a CAN bus signal. The search number is specified by x. The search condition must be set to IDANDDATA or DATA.

Conditions	Requires option 5-SRAUTO or SUP5-SRAUTO Triggering and Analysis application.
Group	Search and Mark
Syntax	SEARCH:SEARCH<x>:TRIGger:A:BUS:CAN:IDentifier:MODE {EXTENDED STandard} SEARCH:SEARCH<x>:TRIGger:A:BUS:CAN:IDentifier:MODE?
Arguments	<p>EXTENDED specifies the extended identifier mode.</p> <p>STandard specifies the standard identifier mode.</p>
Examples	SEARCH:SEARCH1:TRIGger:A:BUS:CAN:IDentifier:MODE EXTEND sets the identifier mode to extended.

SEARCH:SEARCH1:TRIGGER:A:BUS:CAN:IDentifier:MODE? might return
SEARCH:SEARCH1:TRIGGER:A:BUS:CAN:IDENTIFIER:MODE STANDARD,
indicating the identifier mode is set to standard.

SEARCH:SEARCH<x>:TRIGger:A:BUS:CAN:IDentifier:VALue

This command sets or queries CAN bus trigger identifier (address) value to be used when searching on a CAN bus signal. The search number is specified by x. The search condition must be set to IDANDDATA or DATA.

Conditions Requires option 5-SRAUTO or SUP5-SRAUTO Triggering and Analysis application.

Group Search and Mark

Syntax SEARCH:SEARCH<x>:TRIGger:A:BUS:CAN:IDentifier:VALue
<QString>
SEARCH:SEARCH<x>:TRIGger:A:BUS:CAN:IDentifier:VALue?

Arguments <QString> is the identifier value.

Examples SEARCH:SEARCH1:TRIGger:A:BUS:CAN:IDentifier:VALue "1010" sets the identifier value to 1010.

SEARCH:SEARCH1:TRIGger:A:BUS:CAN:IDentifier:VALue? might return
SEARCH:SEARCH1:TRIGGER:A:BUS:CAN:IDENTIFIER:VALUE "101011",
indicating the identifier value is 101011.

SEARCH:SEARCH<x>:TRIGger:A:BUS:CAN:PIDentifier:SIZE

This command sets the length of the data string, in bytes, to be used when triggering on a CAN bus signal. The trigger condition must be set to Priority Identifier. The search number is specified by x.

Conditions Requires option SRAUTO.

Group Search and Mark

Syntax SEARCH:SEARCH<x>:TRIGger:A:BUS:CAN:PIDentifier:SIZE <NR1>
SEARCH:SEARCH<x>:TRIGger:A:BUS:CAN:PIDentifier:SIZE?

Arguments <NR1> specifies the data size.

Examples SEARCH:SEARCH1:TRIGGER:A:BUS:CAN:PIDentifier:SIZE 2 specifies the data size as 2.

SEARCH:SEARCH1:TRIGGER:A:BUS:CAN:PIDentifier:SIZE? might return :SEARCH:SEARCH1:TRIGGER:A:BUS:CAN:PIDentifier:SIZE 1, indicating the data size is set to 1.

SEARCH:SEARCH<x>:TRIGger:A:BUS:CAN:PIDentifier:VALue

This command sets the binary data value to use when triggering on a CAN bus signal when standard is XL. The trigger condition must be set to Priority Identifier. The search number is specified by x.

Conditions Requires option SRAUTO.

Group Search and Mark

Syntax SEARCH:SEARCH<x>:TRIGger:A:BUS:CAN:PIDentifier:VALue <QString>
SEARCH:SEARCH<x>:TRIGger:A:BUS:CAN:PIDentifier:VALue?

Arguments <QString> specifies the identifier value.

Examples SEARCH:SEARCH1:TRIGger:A:BUS:CAN:PIDentifier:VALue "1010" specifies the identifier value as 1010.

SEARCH:SEARCH1:TRIGGER:A:BUS:CAN:PIDentifier:VALue? might return :SEARCH:SEARCH1:TRIGGER:A:BUS:CAN:PIDentifier:VALue "101011", indicating the identifier value is set to 101011.

SEARCH:SEARCH<x>:TRIGger:A:BUS:CAN:XLDAa:SIZE

This command sets or queries the length of the data string, in bytes, to be used when searching on a CAN bus signal. The search condition must be set to IDANDDATA or DATA. The search number is specified by x.

Conditions Requires option SRAUTO.

Group	Search and Mark
Syntax	SEARCH:SEARCH<x>:TRIGger:A:BUS:CAN:XLDATa:SIZE <NR1> SEARCH:SEARCH<x>:TRIGger:A:BUS:CAN:XLDATa:SIZE?
Arguments	<NR1> specifies the data size.
Examples	SEARCH:SEARCH1:TRIGger:A:BUS:CAN:XLDATa:SIZE 2 specifies the data size as 2. SEARCH:SEARCH1:TRIGGER:A:BUS:CAN:XLDATa:SIZE? might return :SEARCH:SEARCH1:TRIGGER:A:BUS:CAN:XLDATa:SIZE 1, indicating the data size is set to 1.

SEARCH:SEARCH<x>:TRIGger:A:BUS:CAN:XLDATa:VALue

This command sets or queries the binary data value to be used when searching on a CAN bus signal. The search condition must be set to IDANDDATA OR DATA. The search number is specified by x.

Conditions	Requires option SRAUTO.
Group	Search and Mark
Syntax	SEARCH:SEARCH<x>:TRIGger:A:BUS:CAN:XLDATa:VALue <QString> SEARCH:SEARCH<x>:TRIGger:A:BUS:CAN:XLDATa:VALue?
Arguments	<QString> specifies the data value.
Examples	SEARCH:SEARCH1:TRIGger:A:BUS:CAN:PIDentifier:VALue "1111" specifies the data value as 1111. SEARCH:SEARCH1:TRIGGER:A:BUS:CAN:PIDentifier:VALue? might return :SEARCH:SEARCH1:TRIGGER:A:BUS:CAN:PIDentifier:VALue "1010", indicating the data value is set to 1010.

SEARCH:SEARCH<x>:TRIGger:A:BUS:CPHY:BLUe:VALue

This command specifies the blue data string used for CPHY triggering if the trigger condition is on RGB packet.

Conditions	Requires option SR-CPHY.
Group	Search and Mark
Syntax	SEARCH:SEARCH<x>:TRIGger:A:BUS:CPHY:BLUe:VALue <QString> SEARCH:SEARCH<x>:TRIGger:A:BUS:CPHY:BLUe:VALue?
Arguments	<QString> is the identifier value. The default blue value is XXXXXXXXXXXX.
Examples	SEARCH:SEARCH1:TRIGger:A:BUS:CPHY:BLUe:VALue "BE4" specifies BE4 as the field within a CPHY frame to search on. SEARCH:SEARCH1:TRIGGER:A:BUS:CPHY:BLUe:VALue? might return SEARCH:SEARCH1:TRIGGER:A:BUS:CPHY:BLUe:VALue "BE4", indicating that BE4 is the currently specified field within a CPHY frame to search on.

SEARCH:SEARCH<x>:TRIGger:A:BUS:CPHY:CONDition

This command sets or queries the trigger condition for an CPHY bus. The default trigger on condition is SOT.

Conditions	Requires option SR-CPHY.
Group	Search and Mark
Syntax	SEARCH:SEARCH<x>:TRIGger:A:BUS:CPHY:CONDition {SOT EOT DATA EOTPDATa OPTIONALPARAm SCRambling COMPRESSion PACKets BUSTURNAROUND ESCAPEMODE STOP ERRORS MODE WORD SYMBol} SEARCH:SEARCH<x>:TRIGger:A:BUS:CPHY:CONDition?
Arguments	SOT specifies SOT as the field within a CPHY frame to search on. EOT specifies EOT as the field within a CPHY frame to search on. DATA specifies DATA as the field within a CPHY frame to search on EOTPDATa specifies EOTPDATa as the field within a CPHY frame to search on. OPTIONALPARAm specifies OPTIONALPARAm as the field within a CPHY frame to search on. SCRambling specifies SCRambling as the field within a CPHY frame to search on.

COMPression specifies COMPression as the field within a CPHY frame to search on.

PACKets specifies PACKets as the field within a CPHY frame to search on.

BUSTURNAROUNd specifies BUSTURNAROUNd as the field within a CPHY frame to search on.

ESCAPEMODE specifies ESCAPEMODE as the field within a CPHY frame to search on.

STop specifies STop as the field within a CPHY frame to search on.

ERRors specifies ERRors as the field within a CPHY frame to search on.

MOde specifies MODe as the field within a CPHY frame to search on.

WOrd specifies WORe as the field within a CPHY frame to search on.

SYMBol specifies SYMBol as the field within a CPHY frame to search on.

Examples SEARCH:SEARCH1:TRIGger:A:BUS:CPHY:CONDition SOT specifies SOT as the field within a CPHY frame to search on.

SEARCH:SEARCH1:TRIGGER:A:BUS:CPHY:CONDition? might return :SEARCH:SEARCH1:TRIGGER:A:BUS:CPHY:CONDition SOT, indicating that SOT is the currently specified field within a CPHY frame to search on.

SEARCH:SEARCH<x>:TRIGger:A:BUS:CPHY:DATA:SIZE

This command specifies the length of the data string in bytes to be used for an CPHY trigger if the trigger condition is DATA.

Conditions Requires option SR-CPHY.

Group Search and Mark

Syntax SEARCH:SEARCH<x>:TRIGger:A:BUS:CPHY:DATA:SIZE <NR1>
SEARCH:SEARCH<x>:TRIGger:A:BUS:CPHY:DATA:SIZE?

Arguments <NR1> specifies the data size. The default data size is 1 byte and otherwise ranges between 1 and 5.

Examples SEARCH:SEARCH1:TRIGger:A:BUS:CPHY:DATA:SIZE 2 specifies 2 as the field within a CPHY frame to search on.

SEARCH:SEARCH1:TRIGGER:A:BUS:CPHY:DATA:SIZE? might return :SEARCH:SEARCH1:TRIGGER:A:BUS:CPHY:DATA:SIZE 1, indicating that 2 is the currently specified field within a CPHY frame to search on.

SEARCH:SEARCH<x>:TRIGger:A:BUS:CPHY:DATA:VALue

This command specifies the binary data string used for CPHY triggering if the trigger condition is DATA.

Conditions Requires option SR-CPHY.

Group Search and Mark

Syntax SEARCH:SEARCH<x>:TRIGger:A:BUS:CPHY:DATA:VALue <QString>
SEARCH:SEARCH<x>:TRIGger:A:BUS:CPHY:DATA:VALue?

Arguments <QString> is the identifier value. The default value is XXXXXXXX.

Examples SEARCH:SEARCH1:TRIGger:A:BUS:CPHY:DATA:VALue "11110000" specifies 11110000 as the field within a CPHY frame to search on.

SEARCH:SEARCH1:TRIGGER:A:BUS:CPHY:DATA:VALue? might return :SEARCH:SEARCH1:TRIGGER:A:BUS:CPHY:DATA:VALue "11110000", indicating that 11110000 is the currently specified field within a CPHY frame to search on.

SEARCH:SEARCH<x>:TRIGger:A:BUS:CPHY:ERRor:TYPE

This command sets or queries the error type for CPHY bus. The default error type condition is ANY.

Conditions Requires option SR-CPHY.

Group Search and Mark

Syntax SEARCH:SEARCH<x>:TRIGger:A:BUS:CPHY:ERRor:TYPE {ANY|ECC|CRC}
SEARCH:SEARCH<x>:TRIGger:A:BUS:CPHY:ERRor:TYPE?

Arguments	ANY specifies ANY as the field within a CPHY frame to search on. ECC specifies ECC as the field within a CPHY frame to search on. CRC specifies CRC as the field within a CPHY frame to search on
Examples	SEARCH:SEARCH1:TRIGGER:A:BUS:CPHY:ERROR:TYPE ECC specifies ECC as the field within a CPHY frame to search on. SEARCH:SEARCH1:TRIGGER:A:BUS:CPHY:ERROR:TYPE? might return :SEARCH:SEARCH1:TRIGGER:A:BUS:CPHY:ERROR:TYPE ECC, indicating that ECC is the currently specified field within a CPHY frame to search on.

SEARCH:SEARCH<x>:TRIGGER:A:BUS:CPHY:ESCAPEMODE:COMMAND

This command sets or queries the escape mode command type for CPHY bus..

Conditions	Requires option SR-CPHY.
Group	Search and Mark
Syntax	SEARCH:SEARCH<x>:TRIGGER:A:BUS:CPHY:ESCAPEMODE:COMMAND {LPDT ULPS RESETRIGGER ANY} SEARCH:SEARCH<x>:TRIGGER:A:BUS:CPHY:ESCAPEMODE:COMMAND?
Arguments	LPDT specifies LPDT as the field within a CPHY frame to search on. ULPS specifies ULPS as the field within a CPHY frame to search on. RESETRIGGER specifies RESETRIGGER as the field within a CPHY frame to search on ANY specifies ANY as the field within a CPHY frame to search on. ANY is the default value.
Examples	SEARCH:SEARCH1:TRIGGER:A:BUS:CPHY:ESCAPEMODE:COMMAND ULPS specifies ULPS as the field within a CPHY frame to search on. SEARCH:SEARCH1:TRIGGER:A:BUS:CPHY:ESCAPEMODE:COMMAND? might return :SEARCH:SEARCH1:TRIGGER:A:BUS:CPHY:ESCAPEMODE:COMMAND ULPS, indicating that ULPS is the currently specified field within a CPHY frame to search on.

SEARCH:SEARCH<x>:TRIGger:A:BUS:CPHY:GREen:VALue

This command specifies the green data string used for CPHY triggering if the trigger condition is on RGB packet.

Conditions	Requires option SR-CPHY.
Group	Search and Mark
Syntax	SEARCH:SEARCH<x>:TRIGger:A:BUS:CPHY:GREen:VALue <QString> SEARCH:SEARCH<x>:TRIGger:A:BUS:CPHY:GREen:VALue?
Arguments	<QString> is the identifier value. The default green value is XXXXXXXXXXXX.
Examples	SEARCH:SEARCH1:TRIGger:A:BUS:CPHY:GREen:VALue "243" specifies 243 as the field within a CPHY frame to search on. SEARCH:SEARCH1:TRIGGER:A:BUS:CPHY:GREen:VALue? might return :SEARCH:SEARCH1:TRIGGER:A:BUS:CPHY:GREen:VALue "243", indicating that 243 is the currently specified field within a CPHY frame to search on.

SEARCH:SEARCH<x>:TRIGger:A:BUS:CPHY:MODE:TYPE

This command sets or queries the mode type for CPHY bus.

Conditions	Requires option SR-CPHY.
Group	Search and Mark
Syntax	SEARCH:SEARCH<x>:TRIGger:A:BUS:CPHY:MODE:TYPE {HS LP} SEARCH:SEARCH<x>:TRIGger:A:BUS:CPHY:MODE:TYPE?
Arguments	HS specifies HS as the mode within a CPHY frame to search on. HS is default mode type condition. LP specifies LP as the mode within a CPHY frame to search on.
Examples	SEARCH:SEARCH1:TRIGger:A:BUS:CPHY:MODE:TYPE LP specifies LP as the mode within a CPHY frame to search on.

SEARCH:SEARCH1:TRIGger:A:BUS:CPHY:MODE:TYPE? might return
:SEARCH:SEARCH1:TRIGger:A:BUS:CPHY:MODE:TYPE LP, indicating that
LP is the currently specified mode within a CPHY frame to search on.

SEARCH:SEARCH<x>:TRIGger:A:BUS:CPHY:PACKets:LIST

This command sets or queries the packet list for CPHY bus. The default packet list condition is VSYNCSTART.

Conditions Requires option SR-CPHY.

Group Search and Mark

Syntax SEARCH:SEARCH<x>:TRIGger:A:BUS:CPHY:PACKets:LIST
{VSYNCSTART|VSYNCEND|HSYNCSTART|HSYNCEND|EOTP|COLOROFF|
COLORON|SHUTDOWN|TURNON|GSW|GR|COMPRESSION|SCRAMBLING|
EXECUTEQueue|DCSSW|DCSR|GLONGWRITE|DSINULL|DSIBLANK|
MAXRETSIZE|DCSGLONGWRITE|PICParameter|COMPRESSEDStream|
PPS101010|PPS121212|PPS565|PPS666|LPS666|PPS888|
YCBCR24|LPYCBCR24|YCBCR16|YCBCR12|ACKnowledge|
ERRORReport|GSRR|GLONGREAD|DCSLONGREAD|DCSSRR|
FRAMESTART|FRAMEEND|LINESTART|LINEEND|GSP|CSINULL|
CSIBLANK|EMBEDDED|USEREIGHTB|RGB565|RGB555|RGB444|
RGB666|RAW6|RAW7|RAW8|RAW10|RAW12|RAW14|RAW16|RAW20|
RGB888|YUV420L8|YUV8BIT|YUV422B10|YUV420B10}
SEARCH:SEARCH<x>:TRIGger:A:BUS:CPHY:PACKets:LIST?

Arguments VSYNCSTART specifies VSYNCSTART as the packet within CPHY frame to search on.

VSYNCEND specifies VSYNCEND as the packet within CPHY frame to search on.

HSYNCSTART specifies HSYNCSTART as the packet within CPHY frame to search on.

HSYNCEND specifies HSYNCEND as the packet within CPHY frame to search on.

EOTP specifies EOTP as the packet within CPHY frame to search on.

COLOROFF specifies COLOROFF as the packet within CPHY frame to search on.

COLORON specifies COLORON as the packet within CPHY frame to search on.

SHUTDOWN specifies SHUTDOWN as the packet within CPHY frame to search on.

TURNON specifies TURNON as the packet within CPHY frame to search on.

GSW specifies GSW as the packet within CPHY frame to search on.

GR specifies GR as the packet within CPHY frame to search on.

COMPRESSION specifies COMPRESSION as the packet within CPHY frame to search on.

SCRAMBLING specifies SCRAMBLING as the packet within CPHY frame to search on.

EXECUTEQUEue specifies EXECUTEQUEue as the packet within CPHY frame to search on.

DCSSW specifies DCSSW as the packet within CPHY frame to search on.

DCSR specifies DCSR as the packet within CPHY frame to search on.

GLONGWRITE specifies GLONGWRITE as the packet within CPHY frame to search on.

DSINULL specifies DSINULL as the packet within CPHY frame to search on.

DSIBLANK specifies DSIBLANK as the packet within CPHY frame to search on.

MAXRETSIZE specifies MAXRETSIZE as the packet within CPHY frame to search on.

DCSGLONGWRITE specifies DCSGLONGWRITE as the packet within CPHY frame to search on.

PICPARAMeter specifies PICPARAMeter as the packet within CPHY frame to search on.

COMPRESSEDPSTReam specifies COMPRESSEDPSTReam as the packet within CPHY frame to search on.

PPS101010 specifies PPS101010 as the packet within CPHY frame to search on.

PPS121212 specifies PPS121212 as the packet within CPHY frame to search on.

PPS565 specifies PPS565 as the packet within CPHY frame to search on.

PPS666 specifies PPS666 as the packet within CPHY frame to search on.

LPS666 specifies LPS666 as the packet within CPHY frame to search on.

PPS888 specifies LPS666 as the packet within CPHY frame to search on.

YCBCR24 specifies YCBCR24 as the packet within CPHY frame to search on.

LPYCBCR24 specifies LPYCBCR24 as the packet within CPHY frame to search on.

YCBCR16 specifies YCBCR16 as the packet within CPHY frame to search on.

YCBCR12 specifies YCBCR12 as the packet within CPHY frame to search on.

ACKNowledge specifies ACKNowledge as the packet within CPHY frame to search on.

ERRORREPort specifies **ERRORREPort** as the packet within CPHY frame to search on.

GSRR specifies **GSRR** as the packet within CPHY frame to search on.

GLONGREAD specifies **GLONGREAD** as the packet within CPHY frame to search on.

DCSLONGREAD specifies **DCSLONGREAD** as the packet within CPHY frame to search on.

DCSSRR specifies **DCSSRR** as the packet within CPHY frame to search on.

FRAMESTART specifies **FRAMESTART** as the packet within CPHY frame to search on.

FRAMEEND specifies **FRAMEEND** as the packet within CPHY frame to search on.

LINESTART specifies **LINESTART** as the packet within CPHY frame to search on.

LINEEND specifies **LINEEND** as the packet within CPHY frame to search on.

GSP specifies **GSP** as the packet within CPHY frame to search on.

CSINULL specifies **CSINULL** as the packet within CPHY frame to search on.

CSIBLANK specifies **CSIBLANK** as the packet within CPHY frame to search on.

EMBEDDED specifies **EMBEDDED** as the packet within CPHY frame to search on.

USEREIGHTB specifies **USEREIGHTB** as the packet within CPHY frame to search on.

RGB565 specifies **RGB565** as the packet within CPHY frame to search on.

RGB555 specifies **RGB555** as the packet within CPHY frame to search on.

RGB444 specifies **RGB444** as the packet within CPHY frame to search on.

RGB666 specifies **RGB666** as the packet within CPHY frame to search on.

RAW6 specifies **RAW6** as the packet within CPHY frame to search on.

RAW7 specifies **RAW7** as the packet within CPHY frame to search on.

RAW8 specifies **RAW8** as the packet within CPHY frame to search on.

RAW10 specifies **RAW10** as the packet within CPHY frame to search on.

RAW12 specifies **RAW12** as the packet within CPHY frame to search on.

RAW14 specifies **RAW14** as the packet within CPHY frame to search on.

RAW16 specifies **RAW16** as the packet within CPHY frame to search on.

RAW20 specifies **RAW20** as the packet within CPHY frame to search on.

RGB888 specifies **RGB888** as the packet within CPHY frame to search on.

YUV420L8 specifies YUV420L8 as the packet within CPHY frame to search on.
 YUV8BIT specifies YUV8BIT as the packet within CPHY frame to search on.
 YUV422B10 specifies YUV422B10 as the packet within CPHY frame to search on.
 YUV420B10 specifies YUV420B10 as the packet within CPHY frame to search on.

Examples SEARCH:SEARCH1:TRIGger:A:BUS:CPHY:PACKets:LIST VSYNCSTART specifies VSYNCSTART of set command as the packet within CPHY frame to search on.

SEARCH:SEARCH1:TRIGGER:A:BUS:CPHY:PACKets:LIST? might return :SEARCH:SEARCH1:TRIGGER:A:BUS:CPHY:PACKets:LIST VSYNCSTART, indicating that VSYNCSTART is the currently the packet within CPHY frame to search on

SEARCH:SEARCH<x>:TRIGger:A:BUS:CPHY:PACKets:TYPE

This command sets or queries the packet type for CPHY bus.

Conditions Requires option SR-CPHY.

Group Search and Mark

Syntax SEARCH:SEARCH<x>:TRIGger:A:BUS:CPHY:PACKets:TYPE {SHORT|LONG}
 SEARCH:SEARCH<x>:TRIGger:A:BUS:CPHY:PACKets:TYPE?

Arguments SHORT specifies SHORT as the field within a CPHY frame to search on. SHORT is the default packet type condition.

LONG specifies LONG as the field within a CPHY frame to search on.

Examples SEARCH:SEARCH1:TRIGger:A:BUS:CPHY:PACKets:TYPE LONG specifies LONG as the field within a CPHY frame to search on.

SEARCH:SEARCH1:TRIGGER:A:BUS:CPHY:PACKets:TYPE? might return :SEARCH:SEARCH1:TRIGGER:A:BUS:CPHY:PACKets:TYPE LONG, indicating that LONG is the currently specified field within a CPHY frame to search on.

SEARCH:SEARCH<x>:TRIGger:A:BUS:CPHY:PIXel:NUMBER

This command specifies the pixel number to be used for CPHY triggering if the trigger condition is on pixel number pattern. The search number is specified by x.

Conditions	Requires option SR-CPHY.
Group	Search and Mark
Syntax	SEARCH:SEARCH<x>:TRIGger:A:BUS:CPHY:PIXel:NUMBER <NR1> SEARCH:SEARCH<x>:TRIGger:A:BUS:CPHY:PIXel:NUMBER?
Arguments	<NR1> specifies the pixel number. The default pixel number value is 0
Examples	SEARCH:SEARCH1:TRIGger:A:BUS:CPHY:PIXel:NUMBER 1234 specifies 1234 as the field within a CPHY frame to search on. SEARCH:SEARCH1:TRIGGER:A:BUS:CPHY:PIXel:NUMBER? might return :SEARCH:SEARCH1:TRIGGER:A:BUS:CPHY:PIXel:NUMBER 1234, indicating that 1234 is the currently specified field within a CPHY frame to search on.

SEARCH:SEARCH<x>:TRIGger:A:BUS:CPHY:PIXel:SEARCHOPTion

This command sets or queries the search pattern type for CPHY bus. The default search pattern type value is PIXELVALue.

Conditions	Requires option SR-CPHY.
Group	Search and Mark
Syntax	SEARCH:SEARCH<x>:TRIGger:A:BUS:CPHY:PIXel:SEARCHOPTion {PIXELVALue PIXELNUMBER} SEARCH:SEARCH<x>:TRIGger:A:BUS:CPHY:PIXel:SEARCHOPTion?
Arguments	PIXELVALue specifies PIXELVALue as the field within a CPHY frame to search on. PIXELNUMBER specifies PIXELNUMBER as the field within a CPHY frame to search on.

Examples `SEARCH:SEARCH1:TRIGGER:A:BUS:CPHY:PIXel:SEARCHOPTion`
`PIXELNUMBER` specifies `PIXELNUMBER` as the field within a `CPHY` frame to search on.

`SEARCH:SEARCH1:TRIGGER:A:BUS:CPHY:PIXel:SEARCHOPTion?` might return `:SEARCH:SEARCH1:TRIGGER:A:BUS:CPHY:PIXel:SEARCHOPTion` `PIXELNUMBER`, indicating that `PIXELNUMBER` is the currently specified field within a `CPHY` frame to search on.

SEARCH:SEARCH<x>:TRIGGER:A:BUS:CPHY:RED:VALue

This command specifies the red data string used for `CPHY` triggering if the trigger condition is on `RGB` packet.

Conditions Requires option `SR-CPHY`.

Group Search and Mark

Syntax `SEARCH:SEARCH<x>:TRIGGER:A:BUS:CPHY:RED:VALue <QString>`
`SEARCH:SEARCH<x>:TRIGGER:A:BUS:CPHY:RED:VALue?`

Arguments `<QString>` is the identifier value. The default red value is `XXXXXXXXXX`.

Examples `SEARCH:SEARCH1:TRIGGER:A:BUS:CPHY:RED:VALue "1A1"` specifies `1A1` as the field within a `CPHY` frame to search on.

`SEARCH:SEARCH1:TRIGGER:A:BUS:CPHY:RED:VALue?` might return `:SEARCH:SEARCH1:TRIGGER:A:BUS:CPHY:RED:VALue "1A1"`, indicating that `1A1` is the currently specified field within a `CPHY` frame to search on.

SEARCH:SEARCH<x>:TRIGGER:A:BUS:CPHY:SYMBOL:SIZE

This command specifies the length of the data string in bytes to be used for an `CPHY` trigger if the trigger condition is `SYMBOL`. The search number is specified by `x`.

Conditions Requires option `SR-CPHY`.

Group Search and Mark

Syntax	<code>SEARCH:SEARCH<x>:TRIGger:A:BUS:CPHY:SYMBOL:SIZE <NR1></code> <code>SEARCH:SEARCH<x>:TRIGger:A:BUS:CPHY:SYMBOL:SIZE?</code>
Arguments	<NR1> specifies the length of the data string. The default symbol size is 7 symbols and otherwise ranges between 1 and 14.
Examples	<code>SEARCH:SEARCH1:TRIGger:A:BUS:CPHY:SYMBOL:SIZE 2</code> specifies 2 as the field within a CPHY frame to search on. <code>SEARCH:SEARCH1:TRIGGER:A:BUS:CPHY:SYMBOL:SIZE?</code> might return <code>:SEARCH:SEARCH1:TRIGGER:A:BUS:CPHY:SYMBOL:SIZE 2</code> , indicating that 2 is the currently specified field within a CPHY frame to search on.

SEARCH:SEARCH<x>:TRIGger:A:BUS:CPHY:SYMBOL:VALue

This command specifies the binary data string used for CPHY triggering if the trigger condition is SYMBol. The search number is specified by x.

Conditions	Requires option SR-CPHY.
Group	Search and Mark
Syntax	<code>SEARCH:SEARCH<x>:TRIGger:A:BUS:CPHY:SYMBOL:VALue <QString></code> <code>SEARCH:SEARCH<x>:TRIGger:A:BUS:CPHY:SYMBOL:VALue?</code>
Arguments	<QString> specifies the binary data string. The default data value is XXX.
Examples	<code>SEARCH:SEARCH1:TRIGger:A:BUS:CPHY:SYMBOL:VALue "11110000"</code> specifies 11110000 as the field within a CPHY frame to search on. <code>SEARCH:SEARCH1:TRIGGER:A:BUS:CPHY:SYMBOL:VALue?</code> might return <code>:SEARCH:SEARCH1:TRIGGER:A:BUS:CPHY:SYMBOL:VALue "11110000"</code> , indicating that 11110000 is the currently specified field within a CPHY frame to search on.

SEARCH:SEARCH<x>:TRIGger:A:BUS:CPHY:WORD:SIZE

This command specifies the length of the word string in bytes to be used for an CPHY trigger if the trigger condition is WORD. The search number is specified by x.

Conditions	Requires option SR-CPHY.
Group	Search and Mark
Syntax	SEARCH:SEARCH<x>:TRIGger:A:BUS:CPHY:WORD:SIZE <NR1> SEARCH:SEARCH<x>:TRIGger:A:BUS:CPHY:WORD:SIZE ?
Arguments	<NR1> specifies the length of the data string. The default word size is 1 byte and otherwise ranges between 1 and 5.
Examples	SEARCH:SEARCH1:TRIGger:A:BUS:CPHY:WORD:SIZE 2 specifies 2 as the field within a CPHY frame to search on. SEARCH:SEARCH1:TRIGGER:A:BUS:CPHY:WORD:SIZE? might return :SEARCH:SEARCH1:TRIGGER:A:BUS:CPHY:WORD:SIZE 2, indicating that 2 is the currently specified field within a CPHY frame to search on.

SEARCH:SEARCH<x>:TRIGger:A:BUS:CPHY:WORD:VALue

This command specifies the binary data string used for CPHY triggering if the trigger condition is Word. The search number is specified by x.

Conditions	Requires option SR-CPHY.
Group	Search and Mark
Syntax	SEARCH:SEARCH<x>:TRIGger:A:BUS:CPHY:WORD:VALue <QString> SEARCH:SEARCH<x>:TRIGger:A:BUS:CPHY:WORD:VALue?
Arguments	<QString> specifies the binary data string. The default data value is XXXXXXXXXXXXXXXXXXXX.
Examples	SEARCH:SEARCH1:TRIGger:A:BUS:CPHY:WORD:VALue "11110000" specifies 11110000 as the field within a CPHY frame to search on. SEARCH:SEARCH1:TRIGger:A:BUS:CPHY:WORD:VALue? might return :SEARCH:SEARCH1:TRIGger:A:BUS:CPHY:WORD:VALue "11110000", indicating that 11110000 is the currently specified field within a CPHY frame to search on.

SEARCH:SEARCH<x>:TRIGger:A:BUS:CPHY:WORDCOUNT:VALue

This command specifies the word count data string used for CPHY triggering if the trigger condition is on any rgb/ycbcr/yuv packet. The search number is specified by x.

Conditions	Requires option SR-CPHY.
Group	Search and Mark
Syntax	SEARCH:SEARCH<x>:TRIGger:A:BUS:CPHY:WORDCOUNT:VALue <QString> SEARCH:SEARCH<x>:TRIGger:A:BUS:CPHY:WORDCOUNT:VALue?
Arguments	<QString> specifies the word count data string. The default data value is XXXXXXXXXXXXXXXXX.
Examples	SEARCH:SEARCH1:TRIGger:A:BUS:CPHY:WORDCOUNT:VALue "0003" specifies 0003 as the field within a CPHY frame to search on. SEARCH:SEARCH1:TRIGger:A:BUS:CPHY:WORDCOUNT:VALue? might return :SEARCH:SEARCH1:TRIGger:A:BUS:CPHY:WORDCOUNT:VALue "0003", indicating that 0003 is the currently specified field within a CPHY frame to search on.

SEARCH:SEARCH<x>:TRIGger:A:BUS:CPHY:YCBCR:CB

This command specifies the Cb data string used for CPHY triggering if the trigger condition is on YCbCr packet. The search number is specified by x.

Conditions	Requires option SR-CPHY.
Group	Search and Mark
Syntax	SEARCH:SEARCH<x>:TRIGger:A:BUS:CPHY:YCBCR:CB <QString> SEARCH:SEARCH<x>:TRIGger:A:BUS:CPHY:YCBCR:CB?
Arguments	<QString> is the identifier value. The default YCBCR packets CB value is XXXXXXXXXXXX.

- Examples** `SEARCH:SEARCH1:TRIGger:A:BUS:CPHY:YCBCR:CB "1BA"` specifies 1BA as the field within a CPHY frame to search on.
- `SEARCH:SEARCH1:TRIGGER:A:BUS:CPHY:YCBCR:CB?` might return `:SEARCH:SEARCH1:TRIGger:A:BUS:CPHY:YCBCR:CB "1BA"`, indicating that 1BA is the currently specified field within a CPHY frame to search on.

SEARCH:SEARCH<x>:TRIGger:A:BUS:CPHY:YCBCR:CR

This command specifies the Cr data string used for CPHY triggering if the trigger condition is on YCbCr packet. The search number is specified by x.

- Conditions** Requires option SR-CPHY.
- Group** Search and Mark
- Syntax** `SEARCH:SEARCH<x>:TRIGger:A:BUS:CPHY:YCBCR:CR <QString>`
`SEARCH:SEARCH<x>:TRIGger:A:BUS:CPHY:YCBCR:CR?`
- Arguments** <QString> is the identifier value. The default YCBCR packets CR value is XXXXXXXXXXXX.
- Examples** `SEARCH:SEARCH1:TRIGger:A:BUS:CPHY:YCBCR:CR "2EE"` specifies 2EE as the field within a CPHY frame to search on.
- `SEARCH:SEARCH1:TRIGger:A:BUS:CPHY:YCBCR:CR?` might return `:SEARCH:SEARCH1:TRIGger:A:BUS:CPHY:YCBCR:CR "2EE"`, indicating that 2EE is the currently specified field within a CPHY frame to search on.

SEARCH:SEARCH<x>:TRIGger:A:BUS:CPHY:YCBCR:Y

This command specifies the Y data string used for CPHY triggering if the trigger condition is on YCbCr packet. The search number is specified by x.

- Conditions** Requires option SR-CPHY.
- Group** Search and Mark
- Syntax** `SEARCH:SEARCH<x>:TRIGger:A:BUS:CPHY:YCBCR:Y <QString>`
`SEARCH:SEARCH<x>:TRIGger:A:BUS:CPHY:YCBCR:Y?`

Arguments	<QString> is the identifier value. The default YCBCR packets Y value is XXXXXXXXXXXX.
Examples	SEARCH:SEARCH1:TRIGger:A:BUS:CPHY:YCBCR:Y "1AA" specifies 1AA as the field within a CPHY frame to search on. SEARCH:SEARCH1:TRIGger:A:BUS:CPHY:YCBCR:Y? might return :SEARCH:SEARCH1:TRIGger:A:BUS:CPHY:YCBCR:Y "1AA", indicating that 1AA is the currently specified field within a CPHY frame to search on.

SEARCH:SEARCH<x>:TRIGger:A:BUS:CPHY:YUV:U

This command specifies the U data string used for CPHY triggering if the trigger condition is on YUV packet. The search number is specified by x.

Conditions	Requires option SR-CPHY.
Group	Search and Mark
Syntax	SEARCH:SEARCH<x>:TRIGger:A:BUS:CPHY:YUV:U <QString> SEARCH:SEARCH<x>:TRIGger:A:BUS:CPHY:YUV:U?
Arguments	<QString> is the identifier value. The default YUV packets U value is XXXXXXXXXXXX.
Examples	SEARCH:SEARCH1:TRIGger:A:BUS:CPHY:YUV:U "123" specifies 123 as the field within a CPHY frame to search on. SEARCH:SEARCH1:TRIGger:A:BUS:CPHY:YUV:U? might return :SEARCH:SEARCH1:TRIGger:A:BUS:CPHY:YUV:U "123", indicating that 123 is the currently specified field within a CPHY frame to search on.

SEARCH:SEARCH<x>:TRIGger:A:BUS:CPHY:YUV:V

This command specifies the V data string used for CPHY triggering if the trigger condition is on YUV packet. The search number is specified by x.

Conditions	Requires option SR-CPHY.
Group	Search and Mark

Syntax	SEARCH:SEARCH<x>:TRIGger:A:BUS:CPHY:YUV:V <QString> SEARCH:SEARCH<x>:TRIGger:A:BUS:CPHY:YUV:V?
Arguments	<QString> is the identifier value. The default YUV packets V value is XXXXXXXXXXXX.
Examples	SEARCH:SEARCH1:TRIGger:A:BUS:CPHY:YUV:V "12A" specifies 12A as the field within a CPHY frame to search on. SEARCH:SEARCH1:TRIGger:A:BUS:CPHY:YUV:V? might return :SEARCH:SEARCH1:TRIGger:A:BUS:CPHY:YUV:V "12A", indicating that 12A is the currently specified field within a CPHY frame to search on.

SEARCH:SEARCH<x>:TRIGger:A:BUS:CPHY:YUV:Y

This command specifies the Y data string used for CPHY triggering if the trigger condition is on YUV packet. The search number is specified by x.

Conditions	Requires option SR-CPHY.
Group	Search and Mark
Syntax	SEARCH:SEARCH<x>:TRIGger:A:BUS:CPHY:YUV:Y <QString> SEARCH:SEARCH<x>:TRIGger:A:BUS:CPHY:YUV:Y?
Arguments	<QString> is the identifier value. The default YUV packets Y value is XXXXXXXXXXXX.
Examples	SEARCH:SEARCH1:TRIGger:A:BUS:CPHY:YUV:Y "81A" specifies 12A as the field within a CPHY frame to search on. SEARCH:SEARCH1:TRIGger:A:BUS:CPHY:YUV:Y? might return :SEARCH:SEARCH1:TRIGger:A:BUS:CPHY:YUV:Y "81A", indicating that 81A is the currently specified field within a CPHY frame to search on.

SEARCH:SEARCH<x>:TRIGger:A:BUS:CXPI:CONDition

This command sets or queries the trigger condition for a CXPI bus. The search number is specified by x.

Conditions	Requires option SR-CXPI .
-------------------	---------------------------

Group	Search and Mark
Syntax	SEARCH:SEARCH<x>:TRIGger:A:BUS:CXPI:CONDition {START FRAMES FRAMEID PTYPE DLC EXTDLC NETMN COUNTER DATA ERRORS} SEARCH:SEARCH<x>:TRIGger:A:BUS:CXPI:CONDition?
Arguments	<p>START specifies START as the event for a CXPI frame to search on. This is the default value.</p> <p>FRAMES specifies FRAMES as the frame types for CXPI packets to search on.</p> <p>FRAMEID specifies FRAMEID as the field within a CXPI frame to search on</p> <p>PTYPE specifies PTYPE as the field within a CXPI frame to search on.</p> <p>DLC specifies DLC as the field within a CXPI frame to search on.</p> <p>EXTDLC specifies EXTDLC as the field within a CXPI frame to search on.</p> <p>NETMN specifies NETMN as the field within a CXPI frame to search on.</p> <p>COUNTER specifies COUNTER as the field within a CXPI frame to search on.</p> <p>DATA specifies DATA as the field within a CXPI frame to search on.</p> <p>ERRORS specifies ERRORS as type of error within a CXPI frame to search on.</p>
Examples	<p>SEARCH:SEARCH1:TRIGGER:A:BUS:CXPI:CONDition START specifies start as the field within a CXPI frame to search on.</p> <p>SEARCH:SEARCH1:TRIGGER:A:BUS:CXPI:CONDition? might return :SEARCH:SEARCH1:TRIGGER:A:BUS:CXPI:CONDition START, indicating that start is the currently specified field within a CXPI frame to search on.</p>

SEARCH:SEARCH<x>:TRIGger:A:BUS:CXPI:COUNTER:VALue

This command specifies the binary counter string used for CXPI triggering if the trigger condition is COUNTER. The search number is specified by x.

Conditions	Requires option SR-CXPI .
Group	Search and Mark
Syntax	SEARCH:SEARCH<x>:TRIGger:A:BUS:CXPI:COUNTER:VALue <QString> SEARCH:SEARCH<x>:TRIGger:A:BUS:CXPI:COUNTER:VALue?

Arguments	<QString> specifies the binary counter string. The default size and value Counter is 2 bits and "XX" respectively
Examples	<p>SEARCH:SEARCH1:TRIGGER:A:BUS:CXPI:COUNTER:VALUE "01" specifies the binary counter string used for CXPI triggering if the trigger condition is COUNTER as "01".</p> <p>SEARCH:SEARCH1:TRIGGER:A:BUS:CXPI:COUNTER:VALUE? might return :SEARCH:SEARCH1:TRIGGER:A:BUS:CXPI:COUNTER:VALUE "01", indicating the binary counter string used for CXPI triggering if the trigger condition is COUNTER is "01".</p>

SEARCH:SEARCH<x>:TRIGger:A:BUS:CXPI:DATA:SIZE

This command specifies the length of the data string in bytes to be used for CXPI triggering if the trigger condition is DATA. The search number is specified by x.

Conditions	Requires option SR-CXPI.
Group	Search and Mark
Syntax	<p>SEARCH:SEARCH<x>:TRIGger:A:BUS:CXPI:DATA:SIZE <NR1></p> <p>SEARCH:SEARCH<x>:TRIGger:A:BUS:CXPI:DATA:SIZE?</p>
Arguments	<NR1> specifies the data size. The default data size is 1 and the valid range is 1 to 5.
Examples	<p>SEARCH:SEARCH1:TRIGGER:A:BUS:CXPI:DATA:SIZE 4 sets the data size value to 4.</p> <p>SEARCH:SEARCH1:TRIGGER:A:BUS:CXPI:DATA:SIZE? might return :SEARCH:SEARCH1:TRIGGER:A:BUS:CXPI:DATA:SIZE 4, indicating that the data size value is 4.</p>

SEARCH:SEARCH<x>:TRIGger:A:BUS:CXPI:DATA:VALUE

This command specifies the binary data string used for CXPI triggering if the trigger condition is DATA. The search number is specified by x.

Conditions	Requires option SR-CXPI.
-------------------	--------------------------

Group	Search and Mark
Syntax	SEARCH:SEARCH<x>:TRIGger:A:BUS:CXPI:DATA:VALue <QString> SEARCH:SEARCH<x>:TRIGger:A:BUS:CXPI:DATA:VALue?
Arguments	<QString> is the identifier value. The default size and value for DATA is 8 bits and "XXXX XXXX" respectively.
Examples	SEARCH:SEARCH1:TRIGGER:A:BUS:CXPI:DATA:VALue "0111100111" sets the data value as "0111100111". SEARCH:SEARCH1:TRIGGER:A:BUS:CXPI:DATA:VALue? might return :SEARCH:SEARCH1:TRIGGER:A:BUS:CXPI:DATA:VALue "0111100111", indicating the data value is "0111100111".

SEARCH:SEARCH<x>:TRIGger:A:BUS:CXPI:DLC:VALue

This command specifies the binary DLC string used for CXPI triggering if the trigger condition is DLC. The search number is specified by x.

Conditions	Requires option SR-CXPI.
Group	Search and Mark
Syntax	SEARCH:SEARCH<x>:TRIGger:A:BUS:CXPI:DLC:VALue <QString> SEARCH:SEARCH<x>:TRIGger:A:BUS:CXPI:DLC:VALue?
Arguments	<QString> is the identifier value. The default size and value of DLC is 4 bits and "XXXX" respectively.
Examples	SEARCH:SEARCH1:TRIGGER:A:BUS:CXPI:DLC:VALue "110" specifies the binary DLC string used for CXPI triggering if the trigger condition is DLC and sets it to "X110". SEARCH:SEARCH1:TRIGGER:A:BUS:CXPI:DLC:VALue? might return :SEARCH:SEARCH1:TRIGGER:A:BUS:CXPI:DLC:VALue "110", indicating the value of the DLC is "X110".

SEARCH:SEARCH<x>:TRIGger:A:BUS:CXPI:ERROR:TYPE

This command sets or queries the Error Type in CXPI bus. The search number is specified by x.

Conditions	Requires option SR-CXPI.
Group	Search and Mark
Syntax	SEARCH:SEARCH<x>:TRIGger:A:BUS:CXPI:ERROR:TYPE {CRC PARity FRAME IBS ANY} SEARCH:SEARCH<x>:TRIGger:A:BUS:CXPI:ERROR:TYPE?
Arguments	CRC specifies CRC as the field within a CXPI frame to search on. PARity specifies PARity as the field within a CXPI frame to search on. The default Error Type is Parity. FRAME specifies FRAME as the field within a CXPI frame to search on. IBS specifies IBS as the field within a CXPI frame to search on. ANY specifies ANY as any type of error within a CXPI frame to search on.
Examples	SEARCH:SEARCH1:TRIGGER:A:BUS:CXPI:ERROR:TYPE CRC sets the Error Type as CRC. SEARCH:SEARCH1:TRIGGER:A:BUS:CXPI:ERROR:TYPE? might return :SEARCH:SEARCH1:TRIGGER:A:BUS:CXPI:ERROR:TYPE CRC, indicating the type of the error is CRC.

SEARCH:SEARCH<x>:TRIGger:A:BUS:CXPI:EXTDLC:VALue

This command specifies the binary DLC string used for CXPI triggering if the trigger condition is Ext DLC. The search number is specified by x.

Conditions	Requires option SR-CXPI.
Group	Search and Mark
Syntax	SEARCH:SEARCH<x>:TRIGger:A:BUS:CXPI:EXTDLC:VALue <QString> SEARCH:SEARCH<x>:TRIGger:A:BUS:CXPI:EXTDLC:VALue?

Arguments	<QString> is the identifier value. The default size and value of Ext DLC is 8 bits and "XXXX XXXX" respectively.
Examples	<pre>SEARCH:SEARCH1:TRIGGER:A:BUS:CXPI:EXTDLC:VALUE "11010010"</pre> specifies the binary DLC string used for CXPI triggering if the trigger condition is Ext DLC as "1010010". <pre>SEARCH:SEARCH1:TRIGGER:A:BUS:CXPI:EXTDLC:VALUE? </pre> might return <pre>:SEARCH:SEARCH1:TRIGGER:A:BUS:CXPI:EXTDLC:VALUE "110"</pre> , indicating the value of the Ext DLC is "11010010".

SEARCH:SEARCH<x>:TRIGger:A:BUS:CXPI:FRAMe:TYPe

This command sets or queries the frame type in CXPI bus. The search number is specified by x.

Conditions	Requires option SR-CXPI.
Group	Search and Mark
Syntax	<pre>SEARCH:SEARCH<x>:TRIGger:A:BUS:CXPI:FRAMe:TYPe {NORMAl SLEEp LONG POLLINGNORMAl POLLINGLONG}</pre> <pre>SEARCH:SEARCH<x>:TRIGger:A:BUS:CXPI:FRAMe:TYPe?</pre>
Arguments	<p>NORMAl specifies NORMAL as the packet type CXPI frame to search on. The default frame type is normal.</p> <p>SLEEp specifies SLEEp as the packet type CXPI frame to search on.</p> <p>LONG specifies LONG as the packet type CXPI frame to search on.</p> <p>POLLINGNORMAl specifies POLLINGNORMAl as the packet type CXPI frame to search on.</p> <p>POLLINGLONG specifies POLLINGLONG as the packet type CXPI frame to search on.</p>
Examples	<pre>SEARCH:SEARCH1:TRIGGER:A:BUS:CXPI:FRAMe:TYPe SLEEp</pre> specifies the frame type as sleep. <pre>SEARCH:SEARCH1:TRIGGER:A:BUS:CXPI:FRAMe:TYPe? </pre> might return <pre>:SEARCH:SEARCH1:TRIGGER:A:BUS:CXPI:FRAMe:TYPe SLEEp</pre> , indicating the type of the frame to sleep.

SEARCH:SEARCH<x>:TRIGger:A:BUS:CXPI:FRAMEID:VALue

This command specifies the binary frameId string used for CXPI triggering if the trigger condition is FRAMEID. The search number is specified by x.

Conditions	Requires option SR-CXPI.
Group	Search and Mark
Syntax	SEARCH:SEARCH<x>:TRIGger:A:BUS:CXPI:FRAMEID:VALue <QString> SEARCH:SEARCH<x>:TRIGger:A:BUS:CXPI:FRAMEID:VALue?
Arguments	<QString> is the identifier value. The default size and value of frame ID is 7 bits and "XXX XXXX" respectively.
Examples	SEARCH:SEARCH1:TRIGGER:A:BUS:CXPI:FRAMEID:VALue "1000" specifies the binary frameId string used for CXPI triggering if the trigger condition is FRAMEID as "XXX1000". SEARCH:SEARCH1:TRIGGER:A:BUS:CXPI:FRAMEID:VALue? might return :SEARCH:SEARCH1:TRIGGER:A:BUS:CXPI:FRAMEID:VALue "1000", indicating the value of the frameId is "XXX1000".

SEARCH:SEARCH<x>:TRIGger:A:BUS:CXPI:NETMN:SLEEPIND

This command sets or queries the Sleep Status in CXPI bus. The search number is specified by x.

Conditions	Requires option SR-CXPI.
Group	Search and Mark
Syntax	SEARCH:SEARCH<x>:TRIGger:A:BUS:CXPI:NETMN:SLEEPIND {ON OFF EITHER} SEARCH:SEARCH<x>:TRIGger:A:BUS:CXPI:NETMN:SLEEPIND?
Arguments	ON specifies the Sleep Status as on. The default status is on. OFF specifies the Sleep Status as off. EITHER specifies the Sleep Status as either.

Examples SEARCH:SEARCH1:TRIGGER:A:BUS:CXPI:NETMN:SLEEPIND OFF specifies the Sleep Status as off.

SEARCH:SEARCH1:TRIGGER:A:BUS:CXPI:NETMN:SLEEPIND? might return :SEARCH:SEARCH1:TRIGGER:A:BUS:CXPI:NETMN:SLEEPIND OFF, indicating the status of the Sleep to off.

SEARCH:SEARCH<x>:TRIGger:A:BUS:CXPI:NETMN:WAKEUPIND

This command sets or queries the Wakeup Status in CXPI bus. The search number is specified by x.

Conditions Requires option SR-CXPI.

Group Search and Mark

Syntax SEARCH:SEARCH<x>:TRIGger:A:BUS:CXPI:NETMN:WAKEUPIND
{ON|OFF|EITHER}
SEARCH:SEARCH<x>:TRIGger:A:BUS:CXPI:NETMN:WAKEUPIND?

Arguments ON specifies the Wakeup Status as on. The default status is on.
OFF specifies the Wakeup Status as off.
EITHER specifies the Wakeup Status as either.

Examples SEARCH:SEARCH1:TRIGGER:A:BUS:CXPI:NETMN:WAKEUPIND ON specifies the Wakeup Status as on.

SEARCH:SEARCH1:TRIGGER:A:BUS:CXPI:NETMN:WAKEUPIND? might return :SEARCH:SEARCH1:TRIGGER:A:BUS:CXPI:NETMN:WAKEUPIND ON, indicating the status of the Wakeup to on.

SEARCH:SEARCH<x>:TRIGger:A:BUS:DPHY:BLUe:VALue

This command specifies the blue data string used for DPHY triggering if the trigger condition is on RGB packet.

Conditions Requires option SR-DPHY.

Group Search and Mark

Syntax	SEARCH:SEARCH<x>:TRIGger:A:BUS:DPHY:BLUe:VALue <QString> SEARCH:SEARCH<x>:TRIGger:A:BUS:DPHY:BLUe:VALue?
Arguments	<QString> is the identifier value. The default blue value is XXXXXXXXXXXX.
Examples	SEARCH:SEARCH1:TRIGger:A:BUS:DPHY:BLUe:VALue "BE4" specifies BE4 as the field within a DPHY frame to search on. SEARCH:SEARCH1:TRIGGER:A:BUS:DPHY:BLUe:VALue? might return SEARCH:SEARCH1:TRIGGER:A:BUS:DPHY:BLUe:VALue "BE4", indicating that BE4 is the currently specified field within a DPHY frame to search on.

SEARCH:SEARCH<x>:TRIGger:A:BUS:DPHY:CONDition

This command sets or queries the trigger condition for an DPHY bus. The default trigger on condition is SOT.

Conditions	Requires option SR-DPHY.
Group	Search and Mark
Syntax	SEARCH:SEARCH<x>:TRIGger:A:BUS:DPHY:CONDition {SOT EOT DATA EOTPDATa OPTIONALPARAm SCRAmbling COMPRESSion PACKets BUSTURNAROUnd ESCAPEMODE SToP ERRors MODE} SEARCH:SEARCH<x>:TRIGger:A:BUS:DPHY:CONDition?
Arguments	SOT specifies SOT as the field within a DPHY frame to search on. EOT specifies EOT as the field within a DPHY frame to search on. DATA specifies DATA as the field within a DPHY frame to search on EOTPDATa specifies EOTPDATa as the field within a DPHY frame to search on. OPTIONALPARAm specifies OPTIONALPARAm as the field within a DPHY frame to search on. SCRAmbling specifies SCRAmbling as the field within a DPHY frame to search on. COMPRESSion specifies COMPRESSion as the field within a DPHY frame to search on. PACKets specifies PACKets as the field within a DPHY frame to search on.

BUSTURNAROUND specifies **BUSTURNAROUND** as the field within a DPHY frame to search on.

ESCAPEMODE specifies **ESCAPEMODE** as the field within a DPHY frame to search on.

STop specifies **STop** as the field within a DPHY frame to search on.

ERRORS specifies **ERRORS** as the field within a DPHY frame to search on.

MODE specifies **MODE** as the field within a DPHY frame to search on.

Examples `SEARCH:SEARCH1:TRIGGER:A:BUS:DPHY:CONDITION SOT` specifies **SOT** as the field within a DPHY frame to search on.

`SEARCH:SEARCH1:TRIGGER:A:BUS:DPHY:CONDITION?` might return `:SEARCH:SEARCH1:TRIGGER:A:BUS:DPHY:CONDITION SOT`, indicating that **SOT** is the currently specified field within a DPHY frame to search on.

SEARCH:SEARCH<x>:TRIGGER:A:BUS:DPHY:DATA:SIZE

This command specifies the length of the data string in bytes to be used for an DPHY trigger if the trigger condition is **DATA**. The default data size is 1 byte and ranges between 1 and 5. The search number is specified by **x**.

Conditions Requires option **SR-DPHY**.

Group Search and Mark

Syntax `SEARCH:SEARCH<x>:TRIGGER:A:BUS:DPHY:DATA:SIZE <NR1>`
`SEARCH:SEARCH<x>:TRIGGER:A:BUS:DPHY:DATA:SIZE?`

Arguments `<NR1>` specifies the data size.

Examples `SEARCH:SEARCH1:TRIGGER:A:BUS:DPHY:DATA:SIZE 2` specifies **2** as the field within a DPHY frame to search on.

`SEARCH:SEARCH1:TRIGGER:A:BUS:DPHY:DATA:SIZE?` might return `:SEARCH:SEARCH1:TRIGGER:A:BUS:DPHY:DATA:SIZE 2`, indicating **2** is the currently specified field within a DPHY frame to search on.

SEARCH:SEARCH<x>:TRIGger:A:BUS:DPHY:DATA:VALue

This command specifies the binary data string used for DPHY triggering if the trigger condition is DATA.

Conditions Requires option SR-DPHY.

Group Search and Mark

Syntax SEARCH:SEARCH<x>:TRIGger:A:BUS:DPHY:DATA:VALue <QString>
SEARCH:SEARCH<x>:TRIGger:A:BUS:DPHY:DATA:VALue?

Arguments <QString> is the identifier value. The default value is XXXXXXXXX.

Examples SEARCH:SEARCH1:TRIGger:A:BUS:DPHY:DATA:VALue "11110000" specifies 11110000 as the field within a DPHY frame to search on.

SEARCH:SEARCH1:TRIGGER:A:BUS:DPHY:DATA:VALue? might return :SEARCH:SEARCH1:TRIGGER:A:BUS:DPHY:DATA:VALue "11110000", indicating that 11110000 is the currently specified field within a DPHY frame to search on.

SEARCH:SEARCH<x>:TRIGger:A:BUS:DPHY:ERROR:TYPE

This command sets or queries the error type for DPHY bus. The default error type condition is ANY.

Conditions Requires option SR-DPHY.

Group Search and Mark

Syntax SEARCH:SEARCH<x>:TRIGger:A:BUS:DPHY:ERROR:TYPE {ANY|ECC|CRC}
SEARCH:SEARCH<x>:TRIGger:A:BUS:DPHY:ERROR:TYPE?

Arguments ANY specifies ANY as the field within a DPHY frame to search on.
ECC specifies ECC as the field within a DPHY frame to search on.
CRC specifies CRC as the field within a DPHY frame to search on

- Examples** `SEARCH:SEARCH1:TRIGGER:A:BUS:DPHY:ERROR:TYPE ECC` specifies ECC as the field within a DPHY frame to search on.
- `SEARCH:SEARCH1:TRIGGER:A:BUS:DPHY:ERROR:TYPE?` might return `:SEARCH:SEARCH1:TRIGGER:A:BUS:DPHY:ERROR:TYPE ECC`, indicating that ECC is the currently specified field within a DPHY frame to search on.

SEARCH:SEARCH<x>:TRIGGER:A:BUS:DPHY:ESCAPEMODE:COMMAND

This command sets or queries the escape mode command type for DPHY bus.

- Conditions** Requires option SR-DPHY.
- Group** Search and Mark
- Syntax** `SEARCH:SEARCH<x>:TRIGGER:A:BUS:DPHY:ESCAPEMODE:COMMAND`
 `{LPDT|ULPS|RESETRIGGER|ANY}`
 `SEARCH:SEARCH<x>:TRIGGER:A:BUS:DPHY:ESCAPEMODE:COMMAND?`
- Arguments** LPDT specifies LPDT as the field within a DPHY frame to search on.
- ULPS specifies ULPS as the field within a DPHY frame to search on.
- RESETRIGGER specifies RESETRIGGER as the field within a DPHY frame to search on
- ANY specifies ANY as the field within a DPHY frame to search on. ANY is the default value.
- Examples** `SEARCH:SEARCH1:TRIGGER:A:BUS:DPHY:ESCAPEMODE:COMMAND ULPS` specifies ULPS as the field within a DPHY frame to search on.
- `SEARCH:SEARCH1:TRIGGER:A:BUS:DPHY:ESCAPEMODE:COMMAND?` might return `:SEARCH:SEARCH1:TRIGGER:A:BUS:DPHY:ESCAPEMODE:COMMAND ULPS`, indicating that ULPS is the currently specified field within a DPHY frame to search on.

SEARCH:SEARCH<x>:TRIGGER:A:BUS:DPHY:GREEN:VALUE

This command specifies the green data string used for DPHY triggering if the trigger condition is on RGB packet.

- Conditions** Requires option SR-DPHY.

Group	Search and Mark
Syntax	SEARCH:SEARCH<x>:TRIGger:A:BUS:DPHY:GREen:VALue <QString> SEARCH:SEARCH<x>:TRIGger:A:BUS:DPHY:GREen:VALue?
Arguments	<QString> is the identifier value. The default green value is XXXXXXXXXXXX.
Examples	SEARCH:SEARCH1:TRIGger:A:BUS:DPHY:GREen:VALue "243" specifies 243 as the field within a DPHY frame to search on. SEARCH:SEARCH1:TRIGGER:A:BUS:DPHY:GREen:VALue? might return :SEARCH:SEARCH1:TRIGGER:A:BUS:DPHY:GREen:VALue "243", indicating that 243 is the currently specified field within a DPHY frame to search on.

SEARCH:SEARCH<x>:TRIGger:A:BUS:DPHY:MODE:TYPE

This command sets or queries the mode type for DPHY bus. The default mode type condition is HS.

Conditions	Requires option SR-DPHY.
Group	Search and Mark
Syntax	SEARCH:SEARCH<x>:TRIGger:A:BUS:DPHY:MODE:TYPE {HS LP} SEARCH:SEARCH<x>:TRIGger:A:BUS:DPHY:MODE:TYPE?
Arguments	HS specifies HS as the mode within a DPHY frame to search on. HS is default mode type condition. LP specifies LP as the mode within a DPHY frame to search on.
Examples	SEARCH:SEARCH1:TRIGger:A:BUS:DPHY:MODE:TYPE LP specifies LP as the mode within a DPHY frame to search on. SEARCH:SEARCH1:TRIGger:A:BUS:DPHY:MODE:TYPE? might return :SEARCH:SEARCH1:TRIGger:A:BUS:DPHY:MODE:TYPE LP, indicating that LP is the currently specified mode within a DPHY frame to search on.

SEARCH:SEARCH<x>:TRIGger:A:BUS:DPHY:PACKets:LIST

This command sets or queries the packet list for DPHY bus. The default packet list condition is VSYNCSTART.

Conditions Requires option SR-DPHY.

Group Search and Mark

Syntax SEARCH:SEARCH<x>:TRIGger:A:BUS:DPHY:PACKets:LIST
{VSYNCSTART| VSYNCEND| HSYNCSTART| HSYNCEND| EOTP| COLOROFF|
COLORON| SHUTDOWN| TURNON| GSW| GR| COMPRESSION| SCRAMBLING|
EXECUTEQUEUE| DCSSW| DCSR| GLONGWRITE| DSINULL| DSIBLANK|
MAXRETSIZE| DCSGLONGWRITE| PICPARAMeter| COMPRESSEDPSStream|
PPS101010| PPS121212| PPS565| PPS666| LPS666| PPS888|
YCBCR24| LPYCBCR24| YCBCR16| YCBCR12| ACKnowledge|
ERRORREPort| GSRR| GLONGREAD| DCSLONGREAD| DCSSRR|
FRAMEStArt| FRAMEEND| LINESTART| LINEEND| GSP| CSINULL|
CSIBLANK| EMBEDDED| USEREIGHTB| RGB565| RGB555| RGB444|
RGB666| RAW6| RAW7| RAW8| RAW10| RAW12| RAW14| RAW16| RAW20|
RGB888| YUV420L8| YUV8BIT| YUV422B10| YUV420B10}
SEARCH:SEARCH<x>:TRIGger:A:BUS:DPHY:PACKets:LIST?

Arguments VSYNCSTART specifies VSYNCSTART as the packet within DPHY frame to search on.

VSYNCEND specifies VSYNCEND as the packet within DPHY frame to search on.

HSYNCSTART specifies HSYNCSTART as the packet within DPHY frame to search on.

HSYNCEND specifies HSYNCEND as the packet within DPHY frame to search on.

EOTP specifies EOTP as the packet within DPHY frame to search on.

COLOROFF specifies COLOROFF as the packet within DPHY frame to search on.

COLORON specifies COLORON as the packet within DPHY frame to search on.

SHUTDOWN specifies SHUTDOWN as the packet within DPHY frame to search on.

TURNON specifies TURNON as the packet within DPHY frame to search on.

GSW specifies GSW as the packet within DPHY frame to search on.

GR specifies GR as the packet within DPHY frame to search on.

COMPRESSION specifies COMPRESSION as the packet within DPHY frame to search on.

SCRAMBLING specifies SCRAMBLING as the packet within DPHY frame to search on.

EXECUTEQUEue specifies EXECUTEQUEue as the packet within DPHY frame to search on.

DCSSW specifies DCSSW as the packet within DPHY frame to search on.

DCSR specifies DCSR as the packet within DPHY frame to search on.

GLONGWRITE specifies GLONGWRITE as the packet within DPHY frame to search on.

DSINULL specifies DSINULL as the packet within DPHY frame to search on.

DSIBLANK specifies DSIBLANK as the packet within DPHY frame to search on.

MAXRETSIZE specifies MAXRETSIZE as the packet within DPHY frame to search on.

DCSGLONGWRITE specifies DCSGLONGWRITE as the packet within DPHY frame to search on.

PICParameter specifies PICParameter as the packet within DPHY frame to search on.

COMPRESSEDPStream specifies COMPRESSEDPStream as the packet within DPHY frame to search on.

PPS101010 specifies PPS101010 as the packet within DPHY frame to search on.

PPS121212 specifies PPS121212 as the packet within DPHY frame to search on.

PPS565 specifies PPS565 as the packet within DPHY frame to search on.

PPS666 specifies PPS666 as the packet within DPHY frame to search on.

LPS666 specifies LPS666 as the packet within DPHY frame to search on.

PPS888 specifies LPS666 as the packet within DPHY frame to search on.

YCBCR24 specifies YCBCR24 as the packet within DPHY frame to search on.

LPYCBCR24 specifies LPYCBCR24 as the packet within DPHY frame to search on.

YCBCR16 specifies YCBCR16 as the packet within DPHY frame to search on.

YCBCR12 specifies YCBCR12 as the packet within DPHY frame to search on.

ACKnowledge specifies ACKnowledge as the packet within DPHY frame to search on.

ERRORREPort specifies ERRORREPort as the packet within DPHY frame to search on.

GSRR specifies GSRR as the packet within DPHY frame to search on.

GLONGREAD specifies GLONGREAD as the packet within DPHY frame to search on.

DCSLONGREAD specifies DCSLONGREAD as the packet within DPHY frame to search on.

DCSSRR specifies DCSSRR as the packet within DPHY frame to search on.

FRAMESTART specifies FRAMESTART as the packet within DPHY frame to search on.

FRAMEEND specifies FRAMEEND as the packet within DPHY frame to search on.

LINESTART specifies LINESTART as the packet within DPHY frame to search on.

LINEEND specifies LINEEND as the packet within DPHY frame to search on.

GSP specifies GSP as the packet within DPHY frame to search on.

CSINULL specifies CSINULL as the packet within DPHY frame to search on.

CSIBLANK specifies CSIBLANK as the packet within DPHY frame to search on.

EMBEDDED specifies EMBEDDED as the packet within DPHY frame to search on.

USEREIGHTB specifies USEREIGHTB as the packet within DPHY frame to search on.

RGB565 specifies RGB565 as the packet within DPHY frame to search on.

RGB555 specifies RGB555 as the packet within DPHY frame to search on.

RGB444 specifies RGB444 as the packet within DPHY frame to search on.

RGB666 specifies RGB666 as the packet within DPHY frame to search on.

RAW6 specifies RAW6 as the packet within DPHY frame to search on.

RAW7 specifies RAW7 as the packet within DPHY frame to search on.

RAW8 specifies RAW8 as the packet within DPHY frame to search on.

RAW10 specifies RAW10 as the packet within DPHY frame to search on.

RAW12 specifies RAW12 as the packet within DPHY frame to search on.

RAW14 specifies RAW14 as the packet within DPHY frame to search on.

RAW16 specifies RAW16 as the packet within DPHY frame to search on.

RAW20 specifies RAW20 as the packet within DPHY frame to search on.

RGB888 specifies RGB888 as the packet within DPHY frame to search on.

YUV420L8 specifies YUV420L8 as the packet within DPHY frame to search on.

YUV8BIT specifies YUV8BIT as the packet within DPHY frame to search on.

YUV422B10 specifies YUV422B10 as the packet within DPHY frame to search on.

YUV420B10 specifies YUV420B10 as the packet within DPHY frame to search on.

Examples SEARCH:SEARCH1:TRIGger:A:BUS:DPHY:PACKets:LIST VSYNCSTART specifies VSYNCSTART of set command as the packet within DPHY frame to search on.

SEARCH:SEARCH1:TRIGGER:A:BUS:DPHY:PACKets:LIST? might return :SEARCH:SEARCH1:TRIGGER:A:BUS:DPHY:PACKets:LIST VSYNCSTART, indicating that VSYNCSTART is the currently the packet within DPHY frame to search on

SEARCH:SEARCH<x>:TRIGger:A:BUS:DPHY:PACKets:TYPE

This command sets or queries the packet type for DPHY bus. The default packet type condition is SHORT.

Conditions Requires option SR-DPHY.

Group Search and Mark

Syntax SEARCH:SEARCH<x>:TRIGger:A:BUS:DPHY:PACKets:TYPE {SHORT|LONG}
SEARCH:SEARCH<x>:TRIGger:A:BUS:DPHY:PACKets:TYPE?

Arguments SHORT specifies SHORT as the field within a DPHY frame to search on. SHORT is the default packet type condition.

LONG specifies LONG as the field within a DPHY frame to search on.

Examples SEARCH:SEARCH1:TRIGger:A:BUS:DPHY:PACKets:TYPE LONG specifies LONG as the field within a DPHY frame to search on.

SEARCH:SEARCH1:TRIGGER:A:BUS:DPHY:PACKets:TYPE? might return :SEARCH:SEARCH1:TRIGGER:A:BUS:DPHY:PACKets:TYPE LONG, indicating that LONG is the currently specified field within a DPHY frame to search on.

SEARCH:SEARCH<x>:TRIGger:A:BUS:DPHY:PIXel:NUMBER

This command specifies the pixel number to be used for DPHY triggering if the trigger condition is on pixel number pattern. The search number is specified by x.

Conditions Requires option SR-DPHY.

Group	Search and Mark
Syntax	SEARCH:SEARCH<x>:TRIGger:A:BUS:DPHY:PIXel:NUMBER <NR1> SEARCH:SEARCH<x>:TRIGger:A:BUS:DPHY:PIXel:NUMBER?
Arguments	<NR1> specifies the pixel number. The default pixel number value is 0
Examples	SEARCH:SEARCH1:TRIGger:A:BUS:DPHY:PIXel:NUMBER 1234 specifies 1234 as the field within a DPHY frame to search on. SEARCH:SEARCH1:TRIGGER:A:BUS:DPHY:PIXel:NUMBER? might return :SEARCH:SEARCH1:TRIGGER:A:BUS:DPHY:PIXel:NUMBER 1234, indicating that 1234 is the currently specified field within a DPHY frame to search on.

SEARCH:SEARCH<x>:TRIGger:A:BUS:DPHY:PIXel:SEARCHOPTion

This command sets or queries the search pattern type for DPHY bus. The default search pattern type value is PIXELVALue.

Conditions	Requires option SR-DPHY.
Group	Search and Mark
Syntax	SEARCH:SEARCH<x>:TRIGger:A:BUS:DPHY:PIXel:SEARCHOPTion {PIXELVALue PIXELNUMBER} SEARCH:SEARCH<x>:TRIGger:A:BUS:DPHY:PIXel:SEARCHOPTion?
Arguments	PIXELVALue specifies PIXELVALue as the field within a DPHY frame to search on. PIXELNUMBER specifies PIXELNUMBER as the field within a DPHY frame to search on.
Examples	SEARCH:SEARCH1:TRIGger:A:BUS:DPHY:PIXel:SEARCHOPTion PIXELNUMBER specifies PIXELNUMBER as the field within a DPHY frame to search on. SEARCH:SEARCH1:TRIGGER:A:BUS:DPHY:PIXel:SEARCHOPTion? might return :SEARCH:SEARCH1:TRIGGER:A:BUS:DPHY:PIXel:SEARCHOPTion PIXELNUMBER, indicating that PIXELNUMBER is the currently specified field within a DPHY frame to search on.

SEARCH:SEARCH<x>:TRIGger:A:BUS:DPHY:RED:VALue

This command specifies the red data string used for DPHY triggering if the trigger condition is on RGB packet.

Conditions	Requires option SR-DPHY.
Group	Search and Mark
Syntax	SEARCH:SEARCH<x>:TRIGger:A:BUS:DPHY:RED:VALue <QString> SEARCH:SEARCH<x>:TRIGger:A:BUS:DPHY:RED:VALue?
Arguments	<QString> is the identifier value. The default red value is XXXXXXXXXXXX.
Examples	SEARCH:SEARCH1:TRIGger:A:BUS:DPHY:RED:VALue "1A1" specifies 1A1 as the field within a DPHY frame to search on. SEARCH:SEARCH1:TRIGGER:A:BUS:DPHY:RED:VALue? might return :SEARCH:SEARCH1:TRIGGER:A:BUS:DPHY:RED:VALue "1A1", indicating that 1A1 is the currently specified field within a DPHY frame to search on.

SEARCH:SEARCH<x>:TRIGger:A:BUS:DPHY:WORDCOUNT:VALue

This command specifies the word count data string used for DPHY triggering if the trigger condition is set on any pixel packet.

Conditions	Requires option SR-DPHY.
Group	Search and Mark
Syntax	SEARCH:SEARCH<x>:TRIGger:A:BUS:DPHY:WORDCOUNT:VALue <QString> SEARCH:SEARCH<x>:TRIGger:A:BUS:DPHY:WORDCOUNT:VALue?
Arguments	<QString> is the identifier value. The default word count value is XXXXXXXXXXXXXXXXXXXX.
Examples	SEARCH:SEARCH1:TRIGger:A:BUS:DPHY:WORDCOUNT:VALue "0003" specifies 1A1 as the field within a DPHY frame to search on.

SEARCH:SEARCH1:TRIGGER:A:BUS:DPHY:WORDCOUNT:VALUE? might return :SEARCH:SEARCH1:TRIGGER:A:BUS:DPHY:WORDCOUNT:VALUE "0003", indicating that 0003 is the currently specified field within a DPHY frame to search on.

SEARCH:SEARCH<x>:TRIGger:A:BUS:DPHY:YCBCR:CB

This command specifies the Cb data string used for DPHY triggering if the trigger condition is on YCbCr packet.

Conditions	Requires option SR-DPHY.
Group	Search and Mark
Syntax	SEARCH:SEARCH<x>:TRIGger:A:BUS:DPHY:YCBCR:CB <QString> SEARCH:SEARCH<x>:TRIGger:A:BUS:DPHY:YCBCR:CB?
Arguments	<QString> is the identifier value. The default YCBCR packets CB value is XXXXXXXXXXXX.
Examples	SEARCH:SEARCH1:TRIGger:A:BUS:DPHY:YCBCR:CB "1BA" specifies 1BA as the field within a DPHY frame to search on. SEARCH:SEARCH1:TRIGGER:A:BUS:DPHY:YCBCR:CB? might return :SEARCH:SEARCH1:TRIGger:A:BUS:DPHY:YCBCR:CB "1BA", indicating that 1BA is the currently specified field within a DPHY frame to search on.

SEARCH:SEARCH<x>:TRIGger:A:BUS:DPHY:YCBCR:CR

This command specifies the Cr data string used for DPHY triggering if the trigger condition is on YCbCr packet.

Conditions	Requires option SR-DPHY.
Group	Search and Mark
Syntax	SEARCH:SEARCH<x>:TRIGger:A:BUS:DPHY:YCBCR:CR <QString> SEARCH:SEARCH<x>:TRIGger:A:BUS:DPHY:YCBCR:CR?

- Arguments** <QString> is the identifier value. The default YCBCR packets CR value is XXXXXXXXXXXX.
- Examples** SEARCH:SEARCH1:TRIGger:A:BUS:DPHY:YCBCR:CR "2EE" specifies 2EE as the field within a DPHY frame to search on.
- SEARCH:SEARCH1:TRIGger:A:BUS:DPHY:YCBCR:CR? might return :SEARCH:SEARCH1:TRIGger:A:BUS:DPHY:YCBCR:CR "2EE", indicating that 2EE is the currently specified field within a DPHY frame to search on.

SEARCH:SEARCH<x>:TRIGger:A:BUS:DPHY:YCBCR:Y

This command specifies the Y data string used for DPHY triggering if the trigger condition is on YCbCr packet.

- Conditions** Requires option SR-DPHY.
- Group** Search and Mark
- Syntax** SEARCH:SEARCH<x>:TRIGger:A:BUS:DPHY:YCBCR:Y <QString>
SEARCH:SEARCH<x>:TRIGger:A:BUS:DPHY:YCBCR:Y?
- Arguments** <QString> is the identifier value. The default YCBCR packets Y value is XXXXXXXXXXXX.
- Examples** SEARCH:SEARCH1:TRIGger:A:BUS:DPHY:YCBCR:Y "1AA" specifies 1AA as the field within a DPHY frame to search on.
- SEARCH:SEARCH1:TRIGger:A:BUS:DPHY:YCBCR:Y? might return :SEARCH:SEARCH1:TRIGger:A:BUS:DPHY:YCBCR:Y "1AA", indicating that 1AA is the currently specified field within a DPHY frame to search on.

SEARCH:SEARCH<x>:TRIGger:A:BUS:DPHY:YUV:U

This command specifies the U data string used for DPHY triggering if the trigger condition is on YUV packet.

- Conditions** Requires option SR-DPHY.
- Group** Search and Mark

Syntax SEARCH:SEARCH<x>:TRIGger:A:BUS:DPHY:YUV:U <QString>
SEARCH:SEARCH<x>:TRIGger:A:BUS:DPHY:YUV:U?

Arguments <QString> is the identifier value. The default YUV packets U value is
XXXXXXXXXX.

Examples SEARCH:SEARCH1:TRIGger:A:BUS:DPHY:YUV:U "123" specifies 123 as the
field within a DPHY frame to search on.

SEARCH:SEARCH1:TRIGger:A:BUS:DPHY:YUV:U? might return
:SEARCH:SEARCH1:TRIGger:A:BUS:DPHY:YUV:U "123", indicating that
123 is the currently specified field within a DPHY frame to search on.

SEARCH:SEARCH<x>:TRIGger:A:BUS:DPHY:YUV:V

This command specifies the V data string used for DPHY triggering if the trigger
condition is on YUV packet.

Conditions Requires option SR-DPHY.

Group Search and Mark

Syntax SEARCH:SEARCH<x>:TRIGger:A:BUS:DPHY:YUV:V <QString>
SEARCH:SEARCH<x>:TRIGger:A:BUS:DPHY:YUV:V?

Arguments <QString> is the identifier value. The default YUV packets V value is
XXXXXXXXXX.

Examples SEARCH:SEARCH1:TRIGger:A:BUS:DPHY:YUV:V "12A" specifies 12A as the
field within a DPHY frame to search on.

SEARCH:SEARCH1:TRIGger:A:BUS:DPHY:YUV:V? might return
:SEARCH:SEARCH1:TRIGger:A:BUS:DPHY:YUV:V "12A", indicating that
12A is the currently specified field within a DPHY frame to search on.

SEARCH:SEARCH<x>:TRIGger:A:BUS:DPHY:YUV:Y

This command specifies the Y data string used for DPHY triggering if the trigger
condition is on YUV packet.

Conditions Requires option SR-DPHY.

Group	Search and Mark
Syntax	SEARCH:SEARCH<x>:TRIGger:A:BUS:DPHY:YUV:Y <QString> SEARCH:SEARCH<x>:TRIGger:A:BUS:DPHY:YUV:Y?
Arguments	<QString> is the identifier value. The default YUV packets Y value is XXXXXXXXXXXX.
Examples	SEARCH:SEARCH1:TRIGger:A:BUS:DPHY:YUV:Y "81A" specifies 12A as the field within a DPHY frame to search on. SEARCH:SEARCH1:TRIGger:A:BUS:DPHY:YUV:Y? might return :SEARCH:SEARCH1:TRIGger:A:BUS:DPHY:YUV:Y "81A", indicating that 81A is the currently specified field within a DPHY frame to search on.

SEARCH:SEARCH<x>:TRIGger:A:BUS:ESPI:ADDRESS:VALue

This command specifies the binary data string used for ESPI triggering if the trigger condition is Address. The search number is specified by x.

Conditions	Requires option SR-ESPI.
Group	Search and Mark
Syntax	SEARCH:SEARCH<x>:TRIGger:A:BUS:ESPI:ADDRESS:VALue <QString> SEARCH:SEARCH<x>:TRIGger:A:BUS:ESPI:ADDRESS:VALue?
Arguments	<QString> is the identifier value. The default value is XXXXXXXXXXXX.
Examples	SEARCH:SEARCH1:TRIGGER:A:BUS:ESPI:ADDRESS:VALue "0111101101011010" specifies 0111101101011010 as the field within a ESPI frame to search on. SEARCH:SEARCH1:TRIGGER:A:BUS:ESPI:ADDRESS:VALue? might return :SEARCH:SEARCH1:TRIGGER:A:BUS:ESPI:ADDRESS:VALue "0111101101011010", indicating that 0111101101011010 is the currently specified field within a ESPI frame to search on.

SEARCH:SEARCH<x>:TRIGger:A:BUS:ESPI:COMMAND:OPCode

This command sets or queries the command opcode in ESPI bus. The search number is specified by x.

Conditions Requires option SR-ESPI.

Group Search and Mark

Syntax SEARCH:SEARCH<x>:TRIGger:A:BUS:ESPI:COMMAND:OPCode
 {GETSTATUS| GETCONFig| SETCONFig| GETNP| GETPC| PUTNP|
 PUTPC| PUTIORDSHORT| PUTIOWRSHORT| PUTMEMRD32SHORT|
 PUTMEMWR32SHORT| PUTOOB| GETOOB| PUTFLASHC| GETFLASHNP|
 PUTVWIRE| GETVWIRE}
 SEARCH:SEARCH<x>:TRIGger:A:BUS:ESPI:COMMAND:OPCode?

Related Commands [SEARCH:SEARCH<x>:TRIGger:A:BUS:ESPI:PHASe](#)

Arguments GETSTATUS specifies get status as the command opcode in ESPI bus to search on.
 GETCONFig specifies get configuration as the command opcode in ESPI bus to search on.
 SETCONFig specifies set configuration as the command opcode in ESPI bus to search on..
 GETNP specifies GETNP as the command opcode in ESPI bus to search on.
 GETPC specifies GETPC as the command opcode in ESPI bus to search on.
 PUTNP specifies PUTNP as the command opcode in ESPI bus to search on.
 PUTPC specifies PUTPC as the command opcode in ESPI bus to search on.
 PUTIORDSHORT specifies put IO read short as the command opcode in ESPI bus to search on.
 PUTIOWRSHORT specifies put IO write short as the command opcode in ESPI bus to search on.
 PUTMEMRD32SHORT specifies put memory read 32 short as the command opcode in ESPI bus to search on.
 PUTMEMWR32SHORT specifies put memory write 32 short as the command opcode in ESPI bus to search on.
 PUTOOB specifies PUTOOB as the command opcode in ESPI bus to search on.
 GETOOB specifies GETOOB as the command opcode in ESPI bus to search on.

PUTFLASHC specifies PUTFLASHC as the command opcode in ESPI bus to search on.

GETFLASHNP specifies GETFLASHNP as the command opcode in ESPI bus to search on.

PUTVWIRE specifies put virtual wire as the command opcode in ESPI bus to search on.

GETVWIRE specifies get virtual wire as the command opcode in ESPI bus to search on.

Examples SEARCH:SEARCH1:TRIGGER:A:BUS:ESPI:COMMAND:OPCode specifies the search to happen on which command opcode.

SEARCH:SEARCH1:TRIGGER:A:BUS:ESPI:COMMAND:OPCode? might return :SEARCH:SEARCH1:TRIGGER:A:BUS:ESPI:COMMAND:OPCode GETNP, indicating that command is the currently selected command opcode where the search will be performed.

SEARCH:SEARCH<x>:TRIGger:A:BUS:ESPI:CONDition

This command sets or queries the trigger condition for a ESPI bus. The search number is specified by x.

Conditions Requires option SR-ESPI.

Group Search and Mark

Syntax SEARCH:SEARCH<x>:TRIGger:A:BUS:ESPI:CONDition {START|CHINdependent|PERICHANne1|OOBCHANne1|VWCHANne1|FACHANne1|DATA|STATUs|ERRors|WAIT|END}

SEARCH:SEARCH<x>:TRIGger:A:BUS:ESPI:CONDition?

Arguments START specifies START as the event for ESPI frame to search on.

CHINdependent specifies CHINdependent channel for ESPI protocol to search on.

PERICHANne1 specifies peripheral channel for ESPI protocol to search on.

OOBCHANne1 specifies OOBCHANne1 channel for ESPI protocol to search on.

VWCHANne1 specifies virtual wire channel for ESPI protocol to search on.

FACHANne1 specifies flash channel for ESPI protocol to search on.

DATA specifies DATA as the field within a ESPI frame to search on.

STATUS specifies STATUS as the field within a ESPI frame to search on.

ERRORS specifies ERRORS as the type of error ESPI frame to search on.

WAIT specifies WAIT as the field within a ESPI frame to search on.

END specifies END as the event for a ESPI frame to search on.

Examples SEARCH:SEARCH1:TRIGGER:A:BUS:ESPI:CONDITION START specifies START as the field within a ESPI frame to search on.

SEARCH:SEARCH1:TRIGGER:A:BUS:ESPI:CONDITION? might return :SEARCH:SEARCH1:TRIGGER:A:BUS:ESPI:CONDITION START, indicating that START is the currently specified field within a ESPI frame to search on.

SEARCH:SEARCH<x>:TRIGGER:A:BUS:ESPI:CYCLETYPE

This command sets or queries the cycle type on command in ESPI bus. The search number is specified by x.

Conditions Requires option SR-ESPI.

Group Search and Mark

Syntax SEARCH:SEARCH<x>:TRIGGER:A:BUS:ESPI:CYCLETYPE {MEMRD32 | MEMRD64 | MEMWR32 | MEMWR64 | MESSAGE | MSGWITHDATA | SUCCESSNODATA | SUCCESSDATA | UNSUCCESSNODATA | OOBMBUS | MCTP | FLASHREAD | FLASHWRITE | FLASHERASE | FLSUCCESSNODATA | FLSUCCESSDATA | FLUNSUCCESSNODATA}

SEARCH:SEARCH<x>:TRIGGER:A:BUS:ESPI:CYCLETYPE?

Related Commands [SEARCH:SEARCH<x>:TRIGGER:A:BUS:ESPI:PHASE](#)

Arguments MEMRD32 specifies Memory Read 32 as the cycle type to search on.

MEMRD64 specifies Memory Read 64 as the cycle type to search on.

MEMWR32 specifies Memory Read Write 32 as the cycle type to search on.

MEMWR64 specifies Memory Read Write 64 as the cycle type to search on.

MESSAGE specifies MESSAGE as the cycle type to search on.

MSGWITHDATA specifies message with Data as the cycle type to search on.

SUCCESSNODATA specifies success without data as the cycle type to search on.

SUCCESSDATA specifies success with data as the cycle type to search on.

UNSUCCESSNODATA specifies unsuccess without data as the cycle type to search on.

OOBMBUS specifies OOB SMBus as the cycle type to search on.

MCTP specifies MCTP as the cycle type to search on.

FLASHREAD specifies FLASHREAD as the cycle type to search on.

FLASHWRITE specifies FLASHWRITE as the cycle type to search on.

FLASHERASE specifies FLASHERASE as the cycle type to search on.

FLSUCCESSNODATA specifies flash success without data as the cycle type to search on.

FLSUCCESSDATA specifies flash Success with data as the cycle type to search on.

FLUNSUCCESSNODATA specifies flash unsuccess without data as the cycle type to search on.

Examples SEARCH:SEARCH1:TRIGGER:A:BUS:ESPI:CYCLETYPE MCTP specifies MCTP as the cycle type to search on.

SEARCH:SEARCH1:TRIGGER:A:BUS:ESPI:CYCLETYPE? might return
:SEARCH:SEARCH1:TRIGGER:A:BUS:ESPI:CYCLETYPE MCTP, indicating that MCTP is the cycle type to search on.

SEARCH:SEARCH<x>:TRIGger:A:BUS:ESPI:DATA:SIZE

This command specifies the length of the data string in bytes to be used for ESPI triggering if the trigger condition is DATA. The default data size is 1 byte and ranges between 1 and 5. The search number is specified by x.

Conditions Requires option SR-ESPI.

Group Search and Mark

Syntax SEARCH:SEARCH<x>:TRIGger:A:BUS:ESPI:DATA:SIZE <NR1>
SEARCH:SEARCH<x>:TRIGger:A:BUS:ESPI:DATA:SIZE?

Arguments <NR1> specifies the data size. The default data size is 1 and the valid range is 1 to 5.

Examples SEARCH:SEARCH1:TRIGGER:A:BUS:ESPI:DATA:SIZE 4 sets the data size value as 4.

SEARCH:SEARCH1:TRIGGER:A:BUS:ESPI:DATA:SIZE? might return :SEARCH:SEARCH1:TRIGGER:A:BUS:ESPI:DATA:SIZE 4, indicating that the data size value is 4.

SEARCH:SEARCH<x>:TRIGger:A:BUS:ESPI:DATA:VALue

This command specifies the binary data string used for ESPI triggering if the trigger condition is DATA. The search number is specified by x.

Conditions Requires option SR-ESPI.

Group Search and Mark

Syntax SEARCH:SEARCH<x>:TRIGger:A:BUS:ESPI:DATA:VALue <QString>
SEARCH:SEARCH<x>:TRIGger:A:BUS:ESPI:DATA:VALue?

Arguments <QString> is the identifier value. The default value is XXXXXXXXX.

Examples SEARCH:SEARCH1:TRIGGER:A:BUS:ESPI:DATA:VALue "0111100111" sets the data value as "0111100111".

SEARCH:SEARCH1:TRIGGER:A:BUS:ESPI:DATA:VALue? might return :SEARCH:SEARCH1:TRIGGER:A:BUS:ESPI:DATA:VALue "0111100111", indicating that the data value is "0111100111".

SEARCH:SEARCH<x>:TRIGger:A:BUS:ESPI:ERRor:TYPE

This command sets or queries the error type on command or response in ESPI bus. The search number is specified by x.

Conditions Requires option SR-ESPI.

Group Search and Mark

Syntax SEARCH:SEARCH<x>:TRIGger:A:BUS:ESPI:ERRor:TYPE {CRC| DEFer| FATA1| NONFATA1| NORESPonse| CMDOPCODE| CYCLETYPE}

SEARCH:SEARCH<x>:TRIGger:A:BUS:ESPI:ERRor:TYPE?

Arguments CRC specifies CRC as the error type to search on.
 DEFer specifies DEFer as the error type to search on.
 FATa1 specifies FATal as the error type to search on.
 NONFATA1 specifies NONFATal as the error type to search on.
 NORESPonse specifies NORESPonse as the error type to search on.
 CMDOPCODE specifies CMDOPCODE as the error type to search on.
 CYCLETYPE specifies CYCLETYPE as the error type to search on.

Examples SEARCH:SEARCH1:TRIGGER:A:BUS:ESPI:ERROR:TYPE CRC specifies CRC as the error type to search on.
 SEARCH:SEARCH1:TRIGGER:A:BUS:ESPI:ERROR:TYPE? might return :SEARCH:SEARCH1:TRIGGER:A:BUS:ESPI:ERROR:TYPE CRC, indicating that CRC is the error type to search on.

SEARCH:SEARCH<x>:TRIGger:A:BUS:ESPI:LENGth:VALue

This command specifies the binary data string used for ESPI triggering if the trigger condition is Length. The search number is specified by x.

Conditions Requires option SR-ESPI.

Group Search and Mark

Syntax SEARCH:SEARCH<x>:TRIGger:A:BUS:ESPI:LENGth:VALue <QString>
 SEARCH:SEARCH<x>:TRIGger:A:BUS:ESPI:LENGth:VALue?

Arguments <QString> is the identifier value. The default value is XXXXXXXXXXXXX.

Examples SEARCH:SEARCH1:TRIGGER:A:BUS:ESPI:LENGth:VALue "011110110101" sets the tag value as "011110110101".
 SEARCH:SEARCH1:TRIGGER:A:BUS:ESPI:LENGth:VALue? might return :SEARCH:SEARCH1:TRIGGER:A:BUS:ESPI:LENGth:VALue "011110110101", indicating that the tag value is "011110110101".

SEARCH:SEARCH<x>:TRIGger:A:BUS:ESPI:PHASe

This command sets or queries the phase in ESPI bus. The search number is specified by x.

Conditions	Requires option SR-ESPI.
Group	Search and Mark
Syntax	SEARCH:SEARCH<x>:TRIGger:A:BUS:ESPI:PHASe {COMMAND RESPONSE RESPONSEHEADER RESPONSENOHEADER} SEARCH:SEARCH<x>:TRIGger:A:BUS:ESPI:PHASe?
Arguments	COMMAND specifies command as the field/packet to search on. RESPONSE specifies response as the field/packet to search on. RESPONSEHEADER specifies the response header as the field/packet to search on. RESPONSENOHEADER specifies the response without header as the field/packet to search on.
Examples	SEARCH:SEARCH1:TRIGGER:A:BUS:ESPI:PHASe COMMAND specifies command as the field/packet to search on. SEARCH:SEARCH1:TRIGGER:A:BUS:ESPI:PHASe? might return :SEARCH:SEARCH1:TRIGGER:A:BUS:ESPI:PHASe COMMAND, indicating that command is the field/packet to search on.

SEARCH:SEARCH<x>:TRIGger:A:BUS:ESPI:RESPCYCLE:TYPE

This command sets or queries the response cycle type on command in ESPI bus. The search number is specified by x.

Conditions	Requires option SR-ESPI.
Group	Search and Mark
Syntax	SEARCH:SEARCH<x>:TRIGger:A:BUS:ESPI:RESPCYCLE:TYPE {MEMRDWR32 MEMRDWR64 MESSAGE MSGWITHDATA SUCCESSNODATA SUCCESSDATA UNSUCCESSNODATA LTR FLASHREAD FLASHWRITE FLASHERASE}

SEARCH:SEARCH<x>:TRIGger:A:BUS:ESPI:RESPCYCLE:TYPE?

- Arguments**
- MEMRDWR32 specifies Memory Read/Write 32 as the cycle type to search on.
 - MEMRDWR64 specifies Memory Read/Write 64 as the cycle type to search on.
 - MESSAge specifies message as the cycle type to search on.
 - MSGWITHDATA specifies message with Data as the cycle type to search on.
 - SUCCESSNODATA specifies success without data as the cycle type to search on.
 - SUCCESSDATA specifies success with data as the cycle type to search on.
 - UNSUCCESSNODATA specifies unsuccess without data as the cycle type to search on.
 - LTR specifies LTR as the cycle type to search on.
 - FLASHREAD specifies flash read as the cycle type to search on.
 - FLASHWRITE specifies flash write as the cycle type to search on.
 - FLASHERASE specifies flash erase as the cycle type to search on.

- Examples**
- SEARCH:SEARCH1:TRIGGER:A:BUS:ESPI:RESPCYCLE:TYPE LTR specifies LTR as the cycle type to search on.
- SEARCH:SEARCH1:TRIGGER:A:BUS:ESPI:RESPCYCLE:TYPE? might return :SEARCH:SEARCH1:TRIGGER:A:BUS:ESPI:RESPCYCLE:TYPE LTR, indicating that LTR is the cycle type to search on.

SEARCH:SEARCH<x>:TRIGger:A:BUS:ESPI:SMBUS:DESTination:ADDRESS

This command specifies the binary data string used for ESPI triggering if the trigger condition is SMBus Source/Destination Address. The search number is specified by x.

- Conditions** Requires option SR-ESPI.
- Group** Search and Mark
- Syntax**
- ```
SEARCH:SEARCH<x>:TRIGger:A:BUS:ESPI:SMBUS:DESTination:
ADDRESS <QString>
SEARCH:SEARCH<x>:TRIGger:A:BUS:ESPI:SMBUS:DESTination:
ADDRESS?
```

**Arguments** <QString> is the identifier value. The default value is XXXXXXXX.

**Examples** SEARCH:SEARCH1:TRIGGER:A:BUS:ESPI:SMBUS:DESTINATION:ADDRESS "01111011" sets the tag value as "01111011".

SEARCH:SEARCH1:TRIGGER:A:BUS:ESPI:SMBUS:DESTINATION:ADDRESS? might return :SEARCH:SEARCH1:TRIGGER:A:BUS:ESPI:SMBUS:DESTINATION:ADDRESS "01111011", indicating that the tag value is "01111011".

## SEARCH:SEARCH<x>:TRIGger:A:BUS:ESPI:SMBUS:SLAVE:ADDRESS

This command specifies the binary data string used for ESPI triggering if the trigger condition is SMBus Slave Address. The search number is specified by x.

**Conditions** Requires option SR-ESPI.

**Group** Search and Mark

**Syntax** SEARCH:SEARCH<x>:TRIGger:A:BUS:ESPI:SMBUS:SLAVE:ADDRESS <QString>  
SEARCH:SEARCH<x>:TRIGger:A:BUS:ESPI:SMBUS:SLAVE:ADDRESS?

**Arguments** <QString> is the identifier value. The default value is XXXXXXXX.

**Examples** SEARCH:SEARCH1:TRIGGER:A:BUS:ESPI:SMBUS:SLAVE:ADDRESS "01111011" sets the tag value as "01111011".

SEARCH:SEARCH1:TRIGGER:A:BUS:ESPI:SMBUS:SLAVE:ADDRESS? might return :SEARCH:SEARCH1:TRIGGER:A:BUS:ESPI:SMBUS:SLAVE:ADDRESS "01111011", indicating that the tag value is "01111011".

## SEARCH:SEARCH<x>:TRIGger:A:BUS:ESPI:TAG:VALue

This command specifies the binary data string used for ESPI triggering if the trigger condition is Tag. The search number is specified by x.

**Conditions** Requires option SR-ESPI.

**Group** Search and Mark

|                  |                                                                                                                                                                                                                                                 |
|------------------|-------------------------------------------------------------------------------------------------------------------------------------------------------------------------------------------------------------------------------------------------|
| <b>Syntax</b>    | SEARCH:SEARCH<x>:TRIGger:A:BUS:ESPI:TAG:VALue <QString><br>SEARCH:SEARCH<x>:TRIGger:A:BUS:ESPI:TAG:VALue?                                                                                                                                       |
| <b>Arguments</b> | <QString> is the identifier value. The default value is XXXX.                                                                                                                                                                                   |
| <b>Examples</b>  | SEARCH:SEARCH1:TRIGGER:A:BUS:ESPI:TAG:VALue "0111" sets the tag value as "0111".<br><br>SEARCH:SEARCH1:TRIGGER:A:BUS:ESPI:TAG:VALue? might return :SEARCH:SEARCH1:TRIGGER:A:BUS:ESPI:TAG:VALue "0111", indicating that the tag value is "0111". |

## SEARCH:SEARCH<x>:TRIGger:A:BUS:ESPI:VIRTUALWIRE:COUNT:VALue

This command specifies the binary data string used for ESPI triggering if the trigger condition is Virtual wire count. The search number is specified by x.

|                   |                                                                                                                                                                                                                                                                                                           |
|-------------------|-----------------------------------------------------------------------------------------------------------------------------------------------------------------------------------------------------------------------------------------------------------------------------------------------------------|
| <b>Conditions</b> | Requires option SR-ESPI.                                                                                                                                                                                                                                                                                  |
| <b>Group</b>      | Search and Mark                                                                                                                                                                                                                                                                                           |
| <b>Syntax</b>     | SEARCH:SEARCH<x>:TRIGger:A:BUS:ESPI:VIRTUALWIRE:COUNT:VALue <QString><br>SEARCH:SEARCH<x>:TRIGger:A:BUS:ESPI:VIRTUALWIRE:COUNT:VALue?                                                                                                                                                                     |
| <b>Arguments</b>  | <QString> is the identifier value. The default value is XXXXXXXX.                                                                                                                                                                                                                                         |
| <b>Examples</b>   | SEARCH:SEARCH1:TRIGGER:A:BUS:ESPI:VIRTUALWIRE:COUNT:VALue "01111011" sets the tag value as "01111011".<br><br>SEARCH:SEARCH1:TRIGGER:A:BUS:ESPI:VIRTUALWIRE:COUNT:VALue? might return :SEARCH:SEARCH1:TRIGGER:A:BUS:ESPI:VIRTUALWIRE:COUNT:VALue "01111011", indicating that the tag value is "01111011". |

## SEARCH:SEARCH<x>:TRIGger:A:BUS:ESPI:VIRTUALWIRE:DATA:VALue

This command specifies the binary data string used for ESPI triggering if the trigger condition is Virtual wire Data. The search number is specified by x.

|                   |                          |
|-------------------|--------------------------|
| <b>Conditions</b> | Requires option SR-ESPI. |
|-------------------|--------------------------|

|                  |                                                                                                                                                                                                                                                                                                                    |
|------------------|--------------------------------------------------------------------------------------------------------------------------------------------------------------------------------------------------------------------------------------------------------------------------------------------------------------------|
| <b>Group</b>     | Search and Mark                                                                                                                                                                                                                                                                                                    |
| <b>Syntax</b>    | SEARCH:SEARCH<x>:TRIGger:A:BUS:ESPI:VIRTUALWIRE:DATA:VALue<br><QString><br>SEARCH:SEARCH<x>:TRIGger:A:BUS:ESPI:VIRTUALWIRE:DATA:VALue?                                                                                                                                                                             |
| <b>Arguments</b> | <QString> is the identifier value. The default value is XXXXXXXXX.                                                                                                                                                                                                                                                 |
| <b>Examples</b>  | SEARCH:SEARCH1:TRIGGER:A:BUS:ESPI:VIRTUALWIRE:DATA:VALue<br>"01111011" sets the tag value as "01111011".<br><br>SEARCH:SEARCH1:TRIGGER:A:BUS:ESPI:VIRTUALWIRE:DATA:VALue?<br>might return<br>:SEARCH:SEARCH1:TRIGGER:A:BUS:ESPI:VIRTUALWIRE:DATA:VALue<br>"01111011", indicating that the tag value is "01111011". |

## SEARCH:SEARCH<x>:TRIGger:A:BUS:ESPI:VIRTUALWIRE:INDEX:VALue

This command specifies the binary data string used for ESPI triggering if the trigger condition is Virtual wire Index. The search number is specified by x.

|                   |                                                                                                                                                                                                                                                                                                                       |
|-------------------|-----------------------------------------------------------------------------------------------------------------------------------------------------------------------------------------------------------------------------------------------------------------------------------------------------------------------|
| <b>Conditions</b> | Requires option SR-ESPI.                                                                                                                                                                                                                                                                                              |
| <b>Group</b>      | Search and Mark                                                                                                                                                                                                                                                                                                       |
| <b>Syntax</b>     | SEARCH:SEARCH<x>:TRIGger:A:BUS:ESPI:VIRTUALWIRE:INDEX:VALue<br><QString><br>SEARCH:SEARCH<x>:TRIGger:A:BUS:ESPI:VIRTUALWIRE:INDEX:VALue?                                                                                                                                                                              |
| <b>Arguments</b>  | <QString> is the identifier value. The default value is XXXXXXXXX.                                                                                                                                                                                                                                                    |
| <b>Examples</b>   | SEARCH:SEARCH1:TRIGGER:A:BUS:ESPI:VIRTUALWIRE:INDEX:VALue<br>"01111011" sets the tag value as "01111011".<br><br>SEARCH:SEARCH1:TRIGGER:A:BUS:ESPI:VIRTUALWIRE:INDEX:VALue?<br>might return<br>:SEARCH:SEARCH1:TRIGGER:A:BUS:ESPI:VIRTUALWIRE:INDEX:VALue<br>"01111011", indicating that the tag value is "01111011". |

## SEARCH:SEARCH<x>:TRIGger:A:BUS:ESPI:VIRTUALWIRE:RESPonse:VALue

This command specifies the binary data string used for ESPI triggering if the trigger condition is Virtual wire Response. The search number is specified by x.

**Conditions** Requires option SR-ESPI.

**Group** Search and Mark

**Syntax** SEARCH:SEARCH<x>:TRIGger:A:BUS:ESPI:VIRTUALWIRE:RESPonse:  
VALue <QString>  
SEARCH:SEARCH<x>:TRIGger:A:BUS:ESPI:VIRTUALWIRE:RESPonse:  
VALue?

**Arguments** <QString> is the identifier value. The default value is XXXXXXXXX.

**Examples** SEARCH:SEARCH1:TRIGGER:A:BUS:ESPI:RESPonse:VALue "01111011"  
sets the tag value as "01111011".

SEARCH:SEARCH1:TRIGGER:A:BUS:ESPI:RESPonse:VALue? might return  
:SEARCH:SEARCH1:TRIGGER:A:BUS:ESPI:RESPonse:VALue "01111011",  
indicating that the tag value is "01111011".

## SEARCH:SEARCH<x>:TRIGger:A:BUS:ESPI:VIRTUALWIRE:STATUs:VALue

This command specifies the binary data string used for ESPI triggering if the trigger condition is Virtual wire Status. The search number is specified by x.

**Conditions** Requires option SR-ESPI.

**Group** Search and Mark

**Syntax** SEARCH:SEARCH<x>:TRIGger:A:BUS:ESPI:VIRTUALWIRE:STATUs:VALue  
<QString>  
SEARCH:SEARCH<x>:TRIGger:A:BUS:ESPI:VIRTUALWIRE:STATUs:  
VALue?

**Arguments** <QString> is the identifier value. The default value is  
XXXXXXXXXXXXXXXXXXXX.

**Examples**     `SEARCH:SEARCH1:TRIGGER:A:BUS:ESPI:STATUS:VALUE`  
                  `"0111101110101010"` sets the tag value as `"0111101110101010"`.

`SEARCH:SEARCH1:TRIGGER:A:BUS:ESPI:STATUS:VALUE?` might  
                  return `:SEARCH:SEARCH1:TRIGGER:A:BUS:ESPI:STATUS:VALUE`  
                  `"0111101110101010"`, indicating that the tag value is `"0111101110101010"`.

## **SEARCH:SEARCH<x>:TRIGger:A:BUS:ETHERCAT:ADDRESSMODE**

This command sets or queries the Address Mode in EtherCAT bus. The search number is specified by x.

**Conditions**     Requires option SR-ETHERCAT.

**Group**            Search and Mark

**Syntax**            `SEARCH:SEARCH<x>:TRIGger:A:BUS:ETHERCAT:ADDRESSMODE`  
                  `{DEVi ce|LOGi ca l}`  
                  `SEARCH:SEARCH<x>:TRIGger:A:BUS:ETHERCAT:ADDRESSMODE?`

**Arguments**        `DEVi ce` sets the Address Mode to Device. This is the default value.  
                  `LOGi ca l` sets the Address Mode to Logical.

**Examples**         `SEARCH:SEARCH1:TRIGGER:A:BUS:ETHERCAT:ADDRESSMODE LOGi ca l` sets  
                  the Address Mode to Logical.

`SEARCH:SEARCH1:TRIGGER:A:BUS:ETHERCAT:ADDRESSMODE?` might return  
                  `:SEARCH:SEARCH1:TRIGGER:A:BUS:ETHERCAT:ADDRESSMODE LOGi ca l`,  
                  indicating the Address Mode is Logical.

## **SEARCH:SEARCH<x>:TRIGger:A:BUS:ETHERCAT:CNTNV:VALue**

This command sets the binary Network Variable Count to be used for EtherCAT bus. The search number is specified by x.

**Conditions**        Requires option SR-ETHERCAT.

**Group**            Search and Mark

|                  |                                                                                                                                                                                                                                                                                                                                                                   |
|------------------|-------------------------------------------------------------------------------------------------------------------------------------------------------------------------------------------------------------------------------------------------------------------------------------------------------------------------------------------------------------------|
| <b>Syntax</b>    | SEARCH:SEARCH<x>:TRIGger:A:BUS:ETHERCAT:CNTNV:VALue<br><QString><br>SEARCH:SEARCH<x>:TRIGger:A:BUS:ETHERCAT:CNTNV:VALue?                                                                                                                                                                                                                                          |
| <b>Arguments</b> | <QString> is the binary Network Variable Count to be used when searching on an EtherCAT bus signal. The default size and value of Network Variable Count is 16 bits and "XXXXXXXX XXXXXXXX" respectively.                                                                                                                                                         |
| <b>Examples</b>  | SEARCH:SEARCH1:TRIGGER:A:BUS:ETHERCAT:CNTNV:VALue<br>"1100110011001100" sets the Network Variable Count value as<br>"1100110011001100".<br><br>SEARCH:SEARCH1:TRIGGER:A:BUS:ETHERCAT:CNTNV:VALue? might<br>return :SEARCH:SEARCH1:TRIGGER:A:BUS:ETHERCAT:CNTNV:VALue<br>"1100110011001100", indicating the Network Variable Count value is<br>"1100110011001100". |

## SEARCH:SEARCH<x>:TRIGger:A:BUS:ETHERCAT:COMMANDTYPe

This command sets or queries the Command Type in EtherCAT bus. The search number is specified by x.

|                   |                                                                                                                                                                                                                                                                                                                                                                                                                                                                                     |
|-------------------|-------------------------------------------------------------------------------------------------------------------------------------------------------------------------------------------------------------------------------------------------------------------------------------------------------------------------------------------------------------------------------------------------------------------------------------------------------------------------------------|
| <b>Conditions</b> | Requires option SR-ETHERCAT.                                                                                                                                                                                                                                                                                                                                                                                                                                                        |
| <b>Group</b>      | Search and Mark                                                                                                                                                                                                                                                                                                                                                                                                                                                                     |
| <b>Syntax</b>     | SEARCH:SEARCH<x>:TRIGger:A:BUS:ETHERCAT:COMMANDTYPe {NOP <br>APRD  APWR  APRW  FPRD  FPWR  FPRW  BRD  BWR  BRW  LRD  LWR <br>LRW  ARMW  FRMW  REServed}<br>SEARCH:SEARCH<x>:TRIGger:A:BUS:ETHERCAT:COMMANDTYPe?                                                                                                                                                                                                                                                                     |
| <b>Arguments</b>  | NOP specifies the Command Type and sets it to NOP. This is the default value.<br>APRD specifies the Command Type and sets it to APRD.<br>APWR specifies the Command Type and sets it to APWR.<br>APRW specifies the Command Type and sets it to APRW.<br>FPRD specifies the Command Type and sets it to FPRD.<br>FPWR specifies the Command Type and sets it to FPWR.<br>FPRW specifies the Command Type and sets it to FPRW.<br>BRD specifies the Command Type and sets it to BRD. |

BWR specifies the Command Type and sets it to BWR.  
 BRW specifies the Command Type and sets it to BRW.  
 LRD specifies the Command Type and sets it to LRD.  
 LWR specifies the Command Type and sets it to LWR.  
 LRW specifies the Command Type and sets it to LRW.  
 ARMW specifies the Command Type and sets it to ARMW.  
 FRMW specifies the Command Type and sets it to FRMW.  
 REServed specifies the Command Type and sets it to REServed.

**Examples** SEARCH:SEARCH1:TRIGGER:A:BUS:ETHERCAT:COMMANDTYPE APRD specifies the Command Type and sets it to APRD.  
 SEARCH:SEARCH1:TRIGGER:A:BUS:ETHERCAT:COMMANDTYPE? might return :SEARCH:SEARCH1:TRIGGER:A:BUS:ETHERCAT:COMMANDTYPE APRD, indicating the Command Type is APRD.

## SEARCH:SEARCH<x>:TRIGger:A:BUS:ETHERCAT:CONDition

This command sets or queries the trigger condition for a EtherCAT bus. The search number is specified by x.

**Conditions** Requires option SR-ETHERCAT.

**Group** Search and Mark

**Syntax** SEARCH:SEARCH<x>:TRIGger:A:BUS:ETHERCAT:CONDition {SOF| PROTOcol| IPHEADer| UDPIPHEADer| MACADDRESS| TCI| ECATHEADERLENGTH| DATagram| NETWORKVARIABLE| MAILBOX| FCSERRor| EOF}  
 SEARCH:SEARCH<x>:TRIGger:A:BUS:ETHERCAT:CONDition?

**Arguments** SOF specifies the field within a EtherCAT frame to search on as SOF. This is the default value.  
 PROTOcol specifies the field within a EtherCAT frame to search on as PROTOcol.  
 IPHEADer specifies the field within a EtherCAT frame to search on as IPHEADer.  
 UDPIPHEADer specifies the field within a EtherCAT frame to search on as UDPIPHEADer.



MACADDRESS specifies the field within a EtherCAT frame to search on as MACADDRESS.

TCI specifies the field within a EtherCAT frame to search on as TCI.

ECATHEADERLENGTH specifies the field within a EtherCAT frame to search on as ECATHEADERLENGTH.

DATagram specifies the field within a EtherCAT frame to search on as DATagram.

NETWORKVARIABLE specifies the field within a EtherCAT frame to search on as NETWORKVARIABLE.

MAILBOX specifies the field within a EtherCAT frame to search on as MAILBOX.

FCSERROR specifies the field within a EtherCAT frame to search on as FCSERROR.

EOF specifies the field within a EtherCAT frame to search on as EOF.

**Examples**      SEARCH:SEARCH1:TRIGGER:A:BUS:ETHERCAT:CONDITION TCI specifies TCI as the field within a EtherCAT frame to search on.

SEARCH:SEARCH1:TRIGGER:A:BUS:ETHERCAT:CONDITION? might return :SEARCH:SEARCH1:TRIGGER:A:BUS:ETHERCAT:CONDITION TCI, indicating TCI is the currently specified field within a EtherCAT frame to search on.

## SEARCH:SEARCH<x>:TRIGGER:A:BUS:ETHERCAT:CYC:VALUE

This command sets the binary Cycle Number to be used for EtherCAT bus. The search number is specified by x.

**Conditions**      Requires option SR-ETHERCAT.

**Group**            Search and Mark

**Syntax**            SEARCH:SEARCH<x>:TRIGGER:A:BUS:ETHERCAT:CYC:VALUE <QString>  
SEARCH:SEARCH<x>:TRIGGER:A:BUS:ETHERCAT:CYC:VALUE?

**Arguments**        <QString> is the binary Cycle Number to be used when searching on an EtherCAT bus signal. The default size and value of Network Variable Count is 16 bits and "XXXXXXXX XXXXXXXX" respectively.

**Examples**         SEARCH:SEARCH1:TRIGGER:A:BUS:ETHERCAT:CYC:VALUE  
"1100110011001100" sets the Cycle Number value as "1100110011001100".

SEARCH:SEARCH1:TRIGGER:A:BUS:ETHERCAT:CYC:VALue? might return :SEARCH:SEARCH1:TRIGGER:A:BUS:ETHERCAT:CYC:VALue "1100110011001100", indicating the Cycle Number value is "1100110011001100".

## SEARCH:SEARCH<x>:TRIGger:A:BUS:ETHERCAT:DATA:SIZE

This command specifies the length of the data string in bytes to be used for EtherCAT bus. The search number is specified by x.

|                   |                                                                                                                                                                                                                                                |
|-------------------|------------------------------------------------------------------------------------------------------------------------------------------------------------------------------------------------------------------------------------------------|
| <b>Conditions</b> | Requires option SR-ETHERCAT.                                                                                                                                                                                                                   |
| <b>Group</b>      | Search and Mark                                                                                                                                                                                                                                |
| <b>Syntax</b>     | SEARCH:SEARCH<x>:TRIGger:A:BUS:ETHERCAT:DATA:SIZE <NR1><br>SEARCH:SEARCH<x>:TRIGger:A:BUS:ETHERCAT:DATA:SIZE?                                                                                                                                  |
| <b>Arguments</b>  | <NR1> is the binary data value to be used when searching on an Ethernet bus signal. The default size is 1. The valid range is 1 to 5.                                                                                                          |
| <b>Examples</b>   | SEARCH:SEARCH1:TRIGGER:A:BUS:ETHERCAT:DATA:SIZE 4 sets the data size value as 4.<br><br>SEARCH:SEARCH1:TRIGGER:A:BUS:ETHERCAT:DATA:SIZE? might return :SEARCH:SEARCH1:TRIGGER:A:BUS:ETHERCAT:DATA:SIZE 4, indicating the data size value is 4. |

## SEARCH:SEARCH<x>:TRIGger:A:BUS:ETHERCAT:DATA:VALue

This command specifies the binary data string used for EtherCAT bus. The search number is specified by x.

|                   |                                                                                                                     |
|-------------------|---------------------------------------------------------------------------------------------------------------------|
| <b>Conditions</b> | Requires option SR-ETHERCAT.                                                                                        |
| <b>Group</b>      | Search and Mark                                                                                                     |
| <b>Syntax</b>     | SEARCH:SEARCH<x>:TRIGger:A:BUS:ETHERCAT:DATA:VALue <QString><br>SEARCH:SEARCH<x>:TRIGger:A:BUS:ETHERCAT:DATA:VALue? |

**Arguments** <QString> is the binary Cycle Number to be used when searching on an EtherCAT bus signal. The default data size and value is 8 bits and "XXXXXXXX" respectively.

**Examples** SEARCH:SEARCH1:TRIGGER:A:BUS:ETHERCAT:DATA:VALue "00001111" sets the data value to "00001111".

SEARCH:SEARCH1:TRIGGER:A:BUS:ETHERCAT:DATA:VALue? might return :SEARCH:SEARCH1:TRIGGER:A:BUS:ETHERCAT:DATA:VALue "00001111", indicating the data value is "00001111".

## SEARCH:SEARCH<x>:TRIGger:A:BUS:ETHERCAT:DATAGRAM

This command sets or queries the Datagram fields in EtherCAT bus. The search number is specified by x.

**Conditions** Requires option SR-ETHERCAT.

**Group** Search and Mark

**Syntax** SEARCH:SEARCH<x>:TRIGger:A:BUS:ETHERCAT:DATAGRAM {HEADer|DATA|WKC}  
SEARCH:SEARCH<x>:TRIGger:A:BUS:ETHERCAT:DATAGRAM?

**Arguments** HEADer specifies the Datagram field and sets it to Header. This is the default value.

DATA specifies the Datagram field and sets it to Data.

WKC specifies the Datagram field and sets it to WKC.

**Examples** SEARCH:SEARCH1:TRIGGER:A:BUS:ETHERCAT:DATAGRAM DATA specifies the Datagram field and sets it to Data.

SEARCH:SEARCH1:TRIGGER:A:BUS:ETHERCAT:DATAGRAM? might return :SEARCH:SEARCH1:TRIGGER:A:BUS:ETHERCAT:DATAGRAM DATA, indicating the Datagram field is Data.

## SEARCH:SEARCH<x>:TRIGger:A:BUS:ETHERCAT:DATAGRAMHEADer

This command sets or queries the Datagram Header fields in EtherCAT bus. The search number is specified by x.

|                   |                                                                                                                                                                                                                                                                                                                                                                   |
|-------------------|-------------------------------------------------------------------------------------------------------------------------------------------------------------------------------------------------------------------------------------------------------------------------------------------------------------------------------------------------------------------|
| <b>Conditions</b> | Requires option SR-ETHERCAT.                                                                                                                                                                                                                                                                                                                                      |
| <b>Group</b>      | Search and Mark                                                                                                                                                                                                                                                                                                                                                   |
| <b>Syntax</b>     | SEARCH:SEARCH<x>:TRIGger:A:BUS:ETHERCAT:DATAGRAMHEADer<br>{CMD IDX ADDRESS LEN CIRCulating IRQ}<br>SEARCH:SEARCH<x>:TRIGger:A:BUS:ETHERCAT:DATAGRAMHEADer?                                                                                                                                                                                                        |
| <b>Arguments</b>  | CMD specifies the Datagram Header field as CMD. This is the default value.<br>IDX specifies the Datagram Header field as IDX.<br>ADDRESS specifies the Datagram Header field as ADDRESS.<br>LEN specifies the Datagram Header field as LEN.<br>CIRCulating specifies the Datagram Header field as CIRCulating.<br>IRQ specifies the Datagram Header field as IRQ. |
| <b>Examples</b>   | SEARCH:SEARCH1:TRIGGER:A:BUS:ETHERCAT:DATAGRAMHEADer LEN<br>specifies the Datagram Header field and sets it to LEN.<br><br>SEARCH:SEARCH1:TRIGGER:A:BUS:ETHERCAT:DATAGRAMHEADer? might<br>return :SEARCH:SEARCH1:TRIGGER:A:BUS:ETHERCAT:DATAGRAMHEADer<br>LEN, indicating the Datagram Header field is LEN.                                                       |

## SEARCH:SEARCH<x>:TRIGger:A:BUS:ETHERCAT:DATAGRAMHEADer:LENGth

This command sets the binary Datagram length information to be used for EtherCAT bus. The search number is specified by x.

|                   |                                                                                                                                                                                                             |
|-------------------|-------------------------------------------------------------------------------------------------------------------------------------------------------------------------------------------------------------|
| <b>Conditions</b> | Requires option SR-ETHERCAT.                                                                                                                                                                                |
| <b>Group</b>      | Search and Mark                                                                                                                                                                                             |
| <b>Syntax</b>     | SEARCH:SEARCH<x>:TRIGger:A:BUS:ETHERCAT:DATAGRAMHEADer:<br>LENGth <QString><br>SEARCH:SEARCH<x>:TRIGger:A:BUS:ETHERCAT:DATAGRAMHEADer:<br>LENGth?                                                           |
| <b>Arguments</b>  | <QString> is the binary Datagram length information to be used when searching on an EtherCAT bus signal. The default size and value Datagram length information is 11 bits and "XXXXXXXX XXX" respectively. |

**Examples** SEARCH:SEARCH1:TRIGGER:A:BUS:ETHERCAT:DATAGRAMHEADer:LENGth "11001100110" sets the data value to "11001100110".

SEARCH:SEARCH1:TRIGGER:A:BUS:ETHERCAT:DATAGRAMHEADer:LENGth? might return  
:SEARCH:SEARCH1:TRIGGER:A:BUS:ETHERCAT:DATAGRAMHEADer:LENGth "11001100110", indicating the data value is "11001100110".

## SEARCH:SEARCH<x>:TRIGger:A:BUS:ETHERCAT:DESTINATIONADDRess:VALue

This command sets the binary MAC destination address value to be used for EtherCAT bus. The search number is specified by x.

**Conditions** Requires option SR-ETHERCAT.

**Group** Search and Mark

**Syntax** SEARCH:SEARCH<x>:TRIGger:A:BUS:ETHERCAT:DESTINATIONADDRess:VALue <QString>  
SEARCH:SEARCH<x>:TRIGger:A:BUS:ETHERCAT:DESTINATIONADDRess:VALue?

**Arguments** <QString> is the binary MAC destination address value to be used when searching on an EtherCAT bus signal. The default size and value of MAC Destination Address is 48 bits and "XXXXXXXX XXXXXXXX XXXXXXXX XXXXXXXX XXXXXXXX XXXXXXXX XXXXXXXX" respectively.

**Examples** SEARCH:SEARCH1:TRIGGER:A:BUS:ETHERCAT:DESTINATIONADDRess:VALue "100000001000000010000000100000001000000010000000" sets the MAC destination address value to "100000001000000010000000100000001000000010000000".

SEARCH:SEARCH1:TRIGGER:A:BUS:ETHERCAT:DESTINATIONADDRess:VALue? might return  
:SEARCH:SEARCH1:TRIGGER:A:BUS:ETHERCAT:DESTINATIONADDRess:VALue "100000001000000010000000100000001000000010000000", indicating the MAC destination address value is "1000000010000000100000001000000010000000".

## SEARCH:SEARCH<x>:TRIGger:A:BUS:ETHERCAT:DEVICEADDRess

This command sets or queries the Device Address in EtherCAT bus. The search number is specified by x.

|                   |                                                                                                                                                                                                                                                                                       |
|-------------------|---------------------------------------------------------------------------------------------------------------------------------------------------------------------------------------------------------------------------------------------------------------------------------------|
| <b>Conditions</b> | Requires option SR-ETHERCAT.                                                                                                                                                                                                                                                          |
| <b>Group</b>      | Search and Mark                                                                                                                                                                                                                                                                       |
| <b>Syntax</b>     | SEARCH:SEARCH<x>:TRIGger:A:BUS:ETHERCAT:DEVICEADDRESS<br>{POSITION OFFSet}<br>SEARCH:SEARCH<x>:TRIGger:A:BUS:ETHERCAT:DEVICEADDRESS?                                                                                                                                                  |
| <b>Arguments</b>  | POSITION specifies the Device Address to position. This is the default value.<br>OFFSet specifies the Device Address to offset.                                                                                                                                                       |
| <b>Examples</b>   | SEARCH:SEARCH1:TRIGGER:A:BUS:ETHERCAT:DEVICEADDRESS OFFSet<br>sets the Device Address to offset.<br><br>SEARCH:SEARCH1:TRIGGER:A:BUS:ETHERCAT:DEVICEADDRESS? might<br>return :SEARCH:SEARCH1:TRIGGER:A:BUS:ETHERCAT:DEVICEADDRESS<br>OFFSet, indicating the Device Address is offset. |

## SEARCH:SEARCH<x>:TRIGger:A:BUS:ETHERCAT:ERRor:REPLy:SERVice:DATA

This command sets or queries the error reply service data fields in EtherCAT bus. The search number is specified by x.

|                   |                                                                                                                                                                                                              |
|-------------------|--------------------------------------------------------------------------------------------------------------------------------------------------------------------------------------------------------------|
| <b>Conditions</b> | Requires option SR-ETHERCAT.                                                                                                                                                                                 |
| <b>Group</b>      | Search and Mark                                                                                                                                                                                              |
| <b>Syntax</b>     | SEARCH:SEARCH<x>:TRIGger:A:BUS:ETHERCAT:ERRor:REPLy:SERVice:<br>DATA {TYPE DETAil}<br>SEARCH:SEARCH<x>:TRIGger:A:BUS:ETHERCAT:ERRor:REPLy:SERVice:<br>DATA?                                                  |
| <b>Arguments</b>  | TYPE specifies the Error Reply Service Data to type. This is the default value.<br>DETAil specifies the Error Reply Service Data to detail.                                                                  |
| <b>Examples</b>   | SEARCH:SEARCH1:TRIGGER:A:BUS:ETHERCAT:ERRor:REPLy:SERVice:DATA<br>DETAil sets the Error Reply Service Data to detail.<br><br>SEARCH:SEARCH1:TRIGGER:A:BUS:ETHERCAT:ERRor:REPLy:SERVice:DATA?<br>might return |

:SEARCH:SEARCH1:TRIGGER:A:BUS:ETHERCAT:ERROR:REPLY:SERVICE:DATA  
DETAIL, indicating the Error Reply Service Data is detail.

## SEARCH:SEARCH<x>:TRIGGER:A:BUS:ETHERCAT:FRAMETYPE

This command sets or queries the Frame Type in EtherCAT bus. The search number is specified by x.

|                   |                                                                                                                                                                                                                                                                       |
|-------------------|-----------------------------------------------------------------------------------------------------------------------------------------------------------------------------------------------------------------------------------------------------------------------|
| <b>Conditions</b> | Requires option SR-ETHERCAT.                                                                                                                                                                                                                                          |
| <b>Group</b>      | Search and Mark                                                                                                                                                                                                                                                       |
| <b>Syntax</b>     | SEARCH:SEARCH<x>:TRIGGER:A:BUS:ETHERCAT:FRAMETYPE<br>{BASiC UDPIP}<br>SEARCH:SEARCH<x>:TRIGGER:A:BUS:ETHERCAT:FRAMETYPE?                                                                                                                                              |
| <b>Arguments</b>  | BASiC specifies the Frame Type as BASiC. This is the default value.<br>UDPIP specifies the Frame Type as UDPIP.                                                                                                                                                       |
| <b>Examples</b>   | SEARCH:SEARCH1:TRIGGER:A:BUS:ETHERCAT:FRAMETYPE UDPIP specifies the Frame Type and sets it to UDPIP.<br><br>SEARCH:SEARCH1:TRIGGER:A:BUS:ETHERCAT:FRAMETYPE? might return :SEARCH:SEARCH1:TRIGGER:A:BUS:ETHERCAT:FRAMETYPE UDPIP, indicating the Frame Type is UDPIP. |

## SEARCH:SEARCH<x>:TRIGGER:A:BUS:ETHERCAT:HASH:VALUE

This command sets the binary HASH to be used for EtherCAT bus. The search number is specified by x.

|                   |                                                                                                                     |
|-------------------|---------------------------------------------------------------------------------------------------------------------|
| <b>Conditions</b> | Requires option SR-ETHERCAT.                                                                                        |
| <b>Group</b>      | Search and Mark                                                                                                     |
| <b>Syntax</b>     | SEARCH:SEARCH<x>:TRIGGER:A:BUS:ETHERCAT:HASH:VALUE <QString><br>SEARCH:SEARCH<x>:TRIGGER:A:BUS:ETHERCAT:HASH:VALUE? |

**Arguments** <QString> is the binary Hash value to be used when searching on an EtherCAT bus signal. The default size and value of Hash is 16 bits and "XXXXXXXXXXXXXXXX" respectively.

**Examples** SEARCH:SEARCH1:TRIGGER:A:BUS:ETHERCAT:HASH:VALUE "1100110011001100" sets the Hash value to "1100110011001100".

SEARCH:SEARCH1:TRIGGER:A:BUS:ETHERCAT:HASH:VALUE? might return :SEARCH:SEARCH1:TRIGGER:A:BUS:ETHERCAT:HASH:VALUE "1100110011001100", indicating the Hash value is "1100110011001100".

## SEARCH:SEARCH<x>:TRIGger:A:BUS:ETHERCAT:HEADer:LENGth

This command sets or queries the binary header length to be used for EtherCAT bus. The search number is specified by x.

**Conditions** Requires option SR-ETHERCAT.

**Group** Search and Mark

**Syntax** SEARCH:SEARCH<x>:TRIGger:A:BUS:ETHERCAT:HEADer:LENGth <QString>  
SEARCH:SEARCH<x>:TRIGger:A:BUS:ETHERCAT:HEADer:LENGth?

**Arguments** <QString> is the binary header length to be used when searching on an EtherCAT bus signal. The default size and value of Length is 11 bits and "XXXXXXXX" respectively.

**Examples** SEARCH:SEARCH1:TRIGGER:A:BUS:ETHERCAT:HEADer:LENGth "00011100" specifies the binary Length to be used for EtherCAT triggering if the trigger condition is EtherCAT Header Length and sets it to "XXX00011100".

SEARCH:SEARCH1:TRIGGER:A:BUS:ETHERCAT:HEADer:LENGth? might return :SEARCH:SEARCH1:TRIGGER:A:BUS:ETHERCAT:HEADer:LENGth "00011100", indicating the value of the Length is "XXX00011100".

## SEARCH:SEARCH<x>:TRIGger:A:BUS:ETHERCAT:IDENtification:VALue

This command sets the IP Identification to be used for EtherCAT bus. The search number is specified by x.



|                   |                                                                                                                                                                                                                                                                                                                                                                                                                                                                         |
|-------------------|-------------------------------------------------------------------------------------------------------------------------------------------------------------------------------------------------------------------------------------------------------------------------------------------------------------------------------------------------------------------------------------------------------------------------------------------------------------------------|
| <b>Conditions</b> | Requires option SR-ETHERCAT.                                                                                                                                                                                                                                                                                                                                                                                                                                            |
| <b>Group</b>      | Search and Mark                                                                                                                                                                                                                                                                                                                                                                                                                                                         |
| <b>Syntax</b>     | SEARCH:SEARCH<x>:TRIGger:A:BUS:ETHERCAT:IDENTification:VALue<br><QString><br>SEARCH:SEARCH<x>:TRIGger:A:BUS:ETHERCAT:IDENTification:<br>VALue?                                                                                                                                                                                                                                                                                                                          |
| <b>Arguments</b>  | <QString> is the binary IP Identification to be used when searching on an EtherCAT bus signal. The default size and value of Identification is 16 bits and "XXXXXXXX XXXXXXXX" respectively.                                                                                                                                                                                                                                                                            |
| <b>Examples</b>   | SEARCH:SEARCH1:TRIGGER:A:BUS:ETHERCAT:IDENTification:VALue<br>"0101101001011010" specifies the binary Identification to be used for EtherCAT triggering if the trigger condition is IP Header and sets it to "0101101001011010".<br><br>SEARCH:SEARCH1:TRIGGER:A:BUS:ETHERCAT:IDENTification:VALue?<br>might return<br>:SEARCH:SEARCH1:TRIGGER:A:BUS:ETHERCAT:IDENTification:VALue<br>"0101101001011010", indicating the Identification value is<br>"0101101001011010". |

## SEARCH:SEARCH<x>:TRIGger:A:BUS:ETHERCAT:IDX:VALue

This command sets the binary Indexing information to be used for EtherCAT bus. The search number is specified by x.

|                   |                                                                                                                                                                     |
|-------------------|---------------------------------------------------------------------------------------------------------------------------------------------------------------------|
| <b>Conditions</b> | Requires option SR-ETHERCAT.                                                                                                                                        |
| <b>Group</b>      | Search and Mark                                                                                                                                                     |
| <b>Syntax</b>     | SEARCH:SEARCH<x>:TRIGger:A:BUS:ETHERCAT:IDX:VALue <QString><br>SEARCH:SEARCH<x>:TRIGger:A:BUS:ETHERCAT:IDX:VALue?                                                   |
| <b>Arguments</b>  | <QString> is the binary Index value to be used when searching on an EtherCAT bus signal. The default size and value of Index is 8 bits and "XXXXXXXX" respectively. |

**Examples**     `SEARCH:SEARCH1:TRIGGER:A:BUS:ETHERCAT:IDX:VALue "00010001"`  
sets the Index value as "00010001".

`SEARCH:SEARCH1:TRIGGER:A:BUS:ETHERCAT:IDX:VALue?` might return  
`:SEARCH:SEARCH1:TRIGGER:A:BUS:ETHERCAT:IDX:VALue "00010001"`,  
indicating the Index value is "00010001".

## **SEARCH:SEARCH<x>:TRIGger:A:BUS:ETHERCAT:INDex:VALue**

This command sets the binary Index to be used for EtherCAT bus. The search number is specified by x.

**Conditions**     Requires option SR-ETHERCAT.

**Group**             Search and Mark

**Syntax**            `SEARCH:SEARCH<x>:TRIGger:A:BUS:ETHERCAT:INDex:VALue`  
`<QString>`  
`SEARCH:SEARCH<x>:TRIGger:A:BUS:ETHERCAT:INDex:VALue?`

**Arguments**        `<QString>` is the binary Index to be used when searching on an EtherCAT bus signal. The default size and value of Index is 16 bits and "XXXXXXXXXXXXXXXX" respectively.

**Examples**           `SEARCH:SEARCH1:TRIGGER:A:BUS:ETHERCAT:INDex:VALue`  
`"1100110011001100"` sets the Index value as "1100110011001100".

`SEARCH:SEARCH1:TRIGGER:A:BUS:ETHERCAT:INDex:VALue?` might  
return `:SEARCH:SEARCH1:TRIGGER:A:BUS:ETHERCAT:INDex:VALue`  
`"1100110011001100"`, indicating the Index value is "1100110011001100".

## **SEARCH:SEARCH<x>:TRIGger:A:BUS:ETHERCAT:IPDESTination:ADDRess:VALue**

This command sets the Destination IP Address to be used for EtherCAT bus. The search number is specified by x.

**Conditions**        Requires option SR-ETHERCAT.

**Group**             Search and Mark

|                  |                                                                                                                                                                                                                                                                                                                                                                                                                                                                                                                                                                  |
|------------------|------------------------------------------------------------------------------------------------------------------------------------------------------------------------------------------------------------------------------------------------------------------------------------------------------------------------------------------------------------------------------------------------------------------------------------------------------------------------------------------------------------------------------------------------------------------|
| <b>Syntax</b>    | SEARCH:SEARCH<x>:TRIGger:A:BUS:ETHERCAT:IPDESTination:ADDRESS:VALue <QString><br>SEARCH:SEARCH<x>:TRIGger:A:BUS:ETHERCAT:IPDESTination:ADDRESS:VALue?                                                                                                                                                                                                                                                                                                                                                                                                            |
| <b>Arguments</b> | <QString> is the binary Destination IP Address to be used when searching on an EtherCAT bus signal. The default size and value of Destination Address is 32 bits and "XXXXXXXX XXXXXXXX XXXXXXXX XXXXXXXX"                                                                                                                                                                                                                                                                                                                                                       |
| <b>Examples</b>  | SEARCH:SEARCH1:TRIGGER:A:BUS:ETHERCAT:IPDESTination:ADDRESS:VALue "01011010010110100101101001011010" specifies the binary Destination IP Address to be used for EtherCAT triggering if the trigger condition is IP Header and sets it to "01011010010110100101101001011010".<br><br>SEARCH:SEARCH1:TRIGGER:A:BUS:ETHERCAT:IPDESTination:ADDRESS:VALue? might return<br>:SEARCH:SEARCH1:TRIGGER:A:BUS:ETHERCAT:IPDESTination:ADDRESS:VALue "01011010010110100101101001011010", indicating the Destination IP Address value is "01011010010110100101101001011010". |

## SEARCH:SEARCH<x>:TRIGger:A:BUS:ETHERCAT:IPSource:ADDRESS:VALue

This command sets the Source IP Address to be used for EtherCAT bus. The search number is specified by x.

|                   |                                                                                                                                                                                                                                                                    |
|-------------------|--------------------------------------------------------------------------------------------------------------------------------------------------------------------------------------------------------------------------------------------------------------------|
| <b>Conditions</b> | Requires option SR-ETHERCAT.                                                                                                                                                                                                                                       |
| <b>Group</b>      | Search and Mark                                                                                                                                                                                                                                                    |
| <b>Syntax</b>     | SEARCH:SEARCH<x>:TRIGger:A:BUS:ETHERCAT:IPSource:ADDRESS:VALue <QString><br>SEARCH:SEARCH<x>:TRIGger:A:BUS:ETHERCAT:IPSource:ADDRESS:VALue?                                                                                                                        |
| <b>Arguments</b>  | <QString> is the binary Source IP Address to be used when searching on an EtherCAT bus signal. The default size and value of Source Address is 32 bits and "XXXXXXXX XXXXXXXX XXXXXXXX XXXXXXXX"                                                                   |
| <b>Examples</b>   | SEARCH:SEARCH1:TRIGGER:A:BUS:ETHERCAT:IPSource:ADDRESS:VALue "01011010010110100101101001011010" specifies the binary Source IP Address to be used for EtherCAT triggering if the trigger condition is IP Header and sets it to "01011010010110100101101001011010". |

```
SEARCH:SEARCH1:TRIGGER:A:BUS:ETHERCAT:IPSource:ADDRESS:VALUE?
might return
:SEARCH:SEARCH1:TRIGGER:A:BUS:ETHERCAT:IPSource:ADDRESS:VALUE
"01011010010110100101101001011010", indicating the Souce IP Address is
"01011010010110100101101001011010".
```

## **SEARCH:SEARCH<x>:TRIGger:A:BUS:ETHERCAT:IRQ:VALue**

This command sets the binary interrupt request information to be used for EtherCAT bus. The search number is specified by x.

|                   |                                                                                                                                                                                                                                                                                                                                                                           |
|-------------------|---------------------------------------------------------------------------------------------------------------------------------------------------------------------------------------------------------------------------------------------------------------------------------------------------------------------------------------------------------------------------|
| <b>Conditions</b> | Requires option SR-ETHERCAT.                                                                                                                                                                                                                                                                                                                                              |
| <b>Group</b>      | Search and Mark                                                                                                                                                                                                                                                                                                                                                           |
| <b>Syntax</b>     | SEARCH:SEARCH<x>:TRIGger:A:BUS:ETHERCAT:IRQ:VALue <QString><br>SEARCH:SEARCH<x>:TRIGger:A:BUS:ETHERCAT:IRQ:VALue?                                                                                                                                                                                                                                                         |
| <b>Arguments</b>  | <QString> is the binary interrupt request information to be used when searching on an EtherCAT bus signal. The default size and value interrupt request information is 16 bits and "XXXXXXXX XXXXXXXX" respectively.                                                                                                                                                      |
| <b>Examples</b>   | SEARCH:SEARCH1:TRIGGER:A:BUS:ETHERCAT:IRQ:VALue<br>"1100110011001100" sets the interrupt request information value as<br>"1100110011001100".<br><br>SEARCH:SEARCH1:TRIGGER:A:BUS:ETHERCAT:IRQ:VALue? might<br>return :SEARCH:SEARCH1:TRIGGER:A:BUS:ETHERCAT:IRQ:VALue<br>"1100110011001100", indicating the interrupt request information value is<br>"1100110011001100". |

## **SEARCH:SEARCH<x>:TRIGger:A:BUS:ETHERCAT:LEN:VALue**

This command sets the binary Length to be used for EtherCAT bus. The search number is specified by x.

|                   |                              |
|-------------------|------------------------------|
| <b>Conditions</b> | Requires option SR-ETHERCAT. |
| <b>Group</b>      | Search and Mark              |

|                  |                                                                                                                                                                                                                                                                                                                       |
|------------------|-----------------------------------------------------------------------------------------------------------------------------------------------------------------------------------------------------------------------------------------------------------------------------------------------------------------------|
| <b>Syntax</b>    | SEARCH:SEARCH<x>:TRIGger:A:BUS:ETHERCAT:LEN:VALue <QString><br>SEARCH:SEARCH<x>:TRIGger:A:BUS:ETHERCAT:LEN:VALue?                                                                                                                                                                                                     |
| <b>Arguments</b> | <QString> is the binary Length to be used when searching on an EtherCAT bus signal. The default size and value of Length is 16 bits and "XXXXXXXXXXXXXXXX" respectively.                                                                                                                                              |
| <b>Examples</b>  | SEARCH:SEARCH1:TRIGGER:A:BUS:ETHERCAT:LEN:VALue<br>"1100110011001100" sets the Length value as "1100110011001100".<br><br>SEARCH:SEARCH1:TRIGGER:A:BUS:ETHERCAT:LEN:VALue? might<br>return :SEARCH:SEARCH1:TRIGGER:A:BUS:ETHERCAT:LEN:VALue<br>"1100110011001100", indicating the Length value is "1100110011001100". |

## SEARCH:SEARCH<x>:TRIGger:A:BUS:ETHERCAT:LOGICALADDRESS:VALue

This command sets the binary logical address information to be used for EtherCAT bus. The search number is specified by x.

|                   |                                                                                                                                                                                                                                                                                                                                                                                                                                                                                                                   |
|-------------------|-------------------------------------------------------------------------------------------------------------------------------------------------------------------------------------------------------------------------------------------------------------------------------------------------------------------------------------------------------------------------------------------------------------------------------------------------------------------------------------------------------------------|
| <b>Conditions</b> | Requires option SR-ETHERCAT.                                                                                                                                                                                                                                                                                                                                                                                                                                                                                      |
| <b>Group</b>      | Search and Mark                                                                                                                                                                                                                                                                                                                                                                                                                                                                                                   |
| <b>Syntax</b>     | SEARCH:SEARCH<x>:TRIGger:A:BUS:ETHERCAT:LOGICALADDRESS:VALue<br><QString><br>SEARCH:SEARCH<x>:TRIGger:A:BUS:ETHERCAT:LOGICALADDRESS:<br>VALue?                                                                                                                                                                                                                                                                                                                                                                    |
| <b>Arguments</b>  | <QString> is the binary Logical Address to be used when searching on an EtherCAT bus signal. The default size and value Logical Address is 32 bits and "XXXXXXXXXXXXXXXXXXXXXXXXXXXXXXXX" respectively.                                                                                                                                                                                                                                                                                                           |
| <b>Examples</b>   | SEARCH:SEARCH1:TRIGGER:A:BUS:ETHERCAT:LOGICALADDRESS:VALue<br>"110011001100110011001100110011001100110011001100" sets the Logical Address value as<br>"110011001100110011001100110011001100110011001100".<br><br>SEARCH:SEARCH1:TRIGGER:A:BUS:ETHERCAT:LOGICALADDRESS:VALue?<br>might return<br>:SEARCH:SEARCH1:TRIGGER:A:BUS:ETHERCAT:LOGICALADDRESS:VALue<br>"110011001100110011001100110011001100110011001100", indicating the Logical Address<br>value is "110011001100110011001100110011001100110011001100". |

## SEARCH:SEARCH<x>:TRIGger:A:BUS:ETHERCAT:MAILbox

This command sets or queries the Mailbox fields in EtherCAT bus. The search number is specified by x.

|                   |                                                                                                                                                                                                                                                                                                              |
|-------------------|--------------------------------------------------------------------------------------------------------------------------------------------------------------------------------------------------------------------------------------------------------------------------------------------------------------|
| <b>Conditions</b> | Requires option SR-ETHERCAT.                                                                                                                                                                                                                                                                                 |
| <b>Group</b>      | Search and Mark                                                                                                                                                                                                                                                                                              |
| <b>Syntax</b>     | SEARCH:SEARCH<x>:TRIGger:A:BUS:ETHERCAT:MAILbox<br>{MAILBOXHEAdEr   SERVICEDATa   ERRSERVICEDATa}<br>SEARCH:SEARCH<x>:TRIGger:A:BUS:ETHERCAT:MAILbox?                                                                                                                                                        |
| <b>Arguments</b>  | MAILBOXHEAdEr specifies the Mailbox fields as mailbox header. This is the default value.<br><br>SERVICEDATa specifies the Mailbox fields as service data.<br><br>ERRSERVICEDATa specifies the Mailbox fields as error reply service data.                                                                    |
| <b>Examples</b>   | SEARCH:SEARCH1:TRIGGER:A:BUS:ETHERCAT:MAILbox ERRSERVICEDATa sets the Mailbox field to Error Reply Service Data.<br><br>SEARCH:SEARCH1:TRIGGER:A:BUS:ETHERCAT:MAILbox? might return :SEARCH:SEARCH1:TRIGGER:A:BUS:ETHERCAT:MAILbox ERRSERVICEDATa, indicating the Mailbox field is Error Reply Service Data. |

## SEARCH:SEARCH<x>:TRIGger:A:BUS:ETHERCAT:MAILbox:ADDRess:VALue

This command sets the binary Mailbox Address to be used for EtherCAT bus. The search number is specified by x.

|                   |                                                                                                                                           |
|-------------------|-------------------------------------------------------------------------------------------------------------------------------------------|
| <b>Conditions</b> | Requires option SR-ETHERCAT.                                                                                                              |
| <b>Group</b>      | Search and Mark                                                                                                                           |
| <b>Syntax</b>     | SEARCH:SEARCH<x>:TRIGger:A:BUS:ETHERCAT:MAILbox:ADDRess:VALue <QString><br>SEARCH:SEARCH<x>:TRIGger:A:BUS:ETHERCAT:MAILbox:ADDRess:VALue? |

|                  |                                                                                                                                                                                                                                                                                                                                                                                   |
|------------------|-----------------------------------------------------------------------------------------------------------------------------------------------------------------------------------------------------------------------------------------------------------------------------------------------------------------------------------------------------------------------------------|
| <b>Arguments</b> | <QString> is the binary Mailbox Address to be used when searching on an EtherCAT bus signal. The default size and value of Address is 16 bits and "XXXXXXXX XXXXXXXX" respectively.                                                                                                                                                                                               |
| <b>Examples</b>  | <pre>SEARCH:SEARCH1:TRIGGER:A:BUS:ETHERCAT:MAILbox:ADDRESS:VALUE "0000111100001111" sets the Mailbox Address value as "0000111100001111".</pre> <pre>SEARCH:SEARCH1:TRIGGER:A:BUS:ETHERCAT:MAILbox:ADDRESS:VALUE? might return :SEARCH:SEARCH1:TRIGGER:A:BUS:ETHERCAT:MAILbox:ADDRESS:VALUE "0000111100001111", indicating the Mailbox Address value is "0000111100001111".</pre> |

## SEARCH:SEARCH<x>:TRIGger:A:BUS:ETHERCAT:MAILbox:CNT:VALue

This command sets the binary counter of the mailbox services to be used for EtherCAT bus. The search number is specified by x.

|                   |                                                                                                                                                                                                                                                                                                   |
|-------------------|---------------------------------------------------------------------------------------------------------------------------------------------------------------------------------------------------------------------------------------------------------------------------------------------------|
| <b>Conditions</b> | Requires option SR-ETHERCAT.                                                                                                                                                                                                                                                                      |
| <b>Group</b>      | Search and Mark                                                                                                                                                                                                                                                                                   |
| <b>Syntax</b>     | <pre>SEARCH:SEARCH&lt;x&gt;:TRIGger:A:BUS:ETHERCAT:MAILbox:CNT:VALue &lt;QString&gt; SEARCH:SEARCH&lt;x&gt;:TRIGger:A:BUS:ETHERCAT:MAILbox:CNT:VALue?</pre>                                                                                                                                       |
| <b>Arguments</b>  | <QString> is the binary Counter value to be used when searching on an EtherCAT bus signal. The default size and value of Counter is 3 bits and "XXX" respectively.                                                                                                                                |
| <b>Examples</b>   | <pre>SEARCH:SEARCH1:TRIGGER:A:BUS:ETHERCAT:MAILbox:CNT:VALue "011" sets the Counter value as "011".</pre> <pre>SEARCH:SEARCH1:TRIGGER:A:BUS:ETHERCAT:MAILbox:CNT:VALue? might return :SEARCH:SEARCH1:TRIGGER:A:BUS:ETHERCAT:MAILbox:CNT:VALue "011", indicating the Counter value is "011".</pre> |

## SEARCH:SEARCH<x>:TRIGger:A:BUS:ETHERCAT:MAILbox:DETail

This command sets or queries the Error Reply Service Data Details in EtherCAT bus. The search number is specified by x.

|                   |                                                                                                                                                                                                                                                                                                                                                                                                                                     |
|-------------------|-------------------------------------------------------------------------------------------------------------------------------------------------------------------------------------------------------------------------------------------------------------------------------------------------------------------------------------------------------------------------------------------------------------------------------------|
| <b>Conditions</b> | Requires option SR-ETHERCAT.                                                                                                                                                                                                                                                                                                                                                                                                        |
| <b>Group</b>      | Search and Mark                                                                                                                                                                                                                                                                                                                                                                                                                     |
| <b>Syntax</b>     | SEARCH:SEARCH<x>:TRIGger:A:BUS:ETHERCAT:MAILbox:DETAil {ONE TWO THREe FOUR FIVE SIX SEVEN EIGHT NINE}<br>SEARCH:SEARCH<x>:TRIGger:A:BUS:ETHERCAT:MAILbox:DETAil?                                                                                                                                                                                                                                                                    |
| <b>Arguments</b>  | ONE specifies the Detail field as ONE. This is the default value.<br>TWO specifies the Detail field as TWO.<br>THREe specifies the Detail field as THREe.<br>FOUR specifies the Detail field as FOUR.<br>FIVE specifies the Detail field as FIVE.<br>SIX specifies the Detail field as SIX.<br>SEVEN specifies the Detail field as SEVEN.<br>EIGHT specifies the Detail field as EIGHT.<br>NINE specifies the Detail field as NINE. |
| <b>Examples</b>   | SEARCH:SEARCH1:TRIGGER:A:BUS:ETHERCAT:MAILbox:DETAil TWO sets the Detail field to TWO.<br><br>SEARCH:SEARCH1:TRIGGER:A:BUS:ETHERCAT:MAILbox:DETAil? might return :SEARCH:SEARCH1:TRIGGER:A:BUS:ETHERCAT:MAILbox:DETAil TWO, indicating the Detail field is TWO.                                                                                                                                                                     |

## SEARCH:SEARCH<x>:TRIGger:A:BUS:ETHERCAT:MAILbox:HEADer

This command sets or queries the Mailbox Header fields in EtherCAT bus. The search number is specified by x.

|                   |                                                                                                                                                             |
|-------------------|-------------------------------------------------------------------------------------------------------------------------------------------------------------|
| <b>Conditions</b> | Requires option SR-ETHERCAT.                                                                                                                                |
| <b>Group</b>      | Search and Mark                                                                                                                                             |
| <b>Syntax</b>     | SEARCH:SEARCH<x>:TRIGger:A:BUS:ETHERCAT:MAILbox:HEADer {LENGTH ADDRESS CHANne PRIority TYPE CNT}<br>SEARCH:SEARCH<x>:TRIGger:A:BUS:ETHERCAT:MAILbox:HEADer? |



**Arguments**    **LENGth** specifies the Mailbox Header as Length. This is the default value.  
**ADDReSS** specifies the Mailbox Header as Address.  
**CHANneL** specifies the Mailbox Header as Channel.  
**PRIOriTy** specifies the Mailbox Header as Priority.  
**TYPE** specifies the Mailbox Header as Type.  
**CNT** specifies the Mailbox Header as Count.

**Examples**    **SEARCH:SEARCH1:TRIGGER:A:BUS:ETHERCAT:MAILbox:HEADer TYPE** sets the Mailbox Header to Type.  
**SEARCH:SEARCH1:TRIGGER:A:BUS:ETHERCAT:MAILbox:HEADer?** might return **:SEARCH:SEARCH1:TRIGGER:A:BUS:ETHERCAT:MAILbox:HEADer TYPE**, indicating the Mailbox Header is Type.

## **SEARCH:SEARCH<x>:TRIGger:A:BUS:ETHERCAT:MAILBOXTYPE**

This command sets or queries the Mailbox Type fields in EtherCAT bus. The search number is specified by x.

**Conditions**    Requires option SR-ETHERCAT.

**Group**    Search and Mark

**Syntax**    **SEARCH:SEARCH<x>:TRIGger:A:BUS:ETHERCAT:MAILBOXTYPE {ZERO|ONE|TWO|THRee|FOUR|FIVE|RESERved|FIFTeen}**  
**SEARCH:SEARCH<x>:TRIGger:A:BUS:ETHERCAT:MAILBOXTYPE?**

**Arguments**    **ZERO** specifies the Mailbox Type as ZERO. This is the default value.  
**ONE** specifies the Mailbox Type as ONE.  
**TWO** specifies the Mailbox Type as TWO.  
**THRee** specifies the Mailbox Type as THRee.  
**FOUR** specifies the Mailbox Type as FOUR.  
**FIVE** specifies the Mailbox Type as FIVE.  
**RESERved** specifies the Mailbox Type as RESERved.  
**FIFTeen** specifies the Mailbox Type as FIFTeen.

**Examples**     `SEARCH:SEARCH1:TRIGGER:A:BUS:ETHERCAT:MAILBOXTYPE FIVE` sets the Mailbox Type as FIVE.

`SEARCH:SEARCH1:TRIGGER:A:BUS:ETHERCAT:MAILBOXTYPE?` might return `:SEARCH:SEARCH1:TRIGGER:A:BUS:ETHERCAT:MAILBOXTYPE FIVE`, indicating the Mailbox Type is FIVE.

## **SEARCH:SEARCH<x>:TRIGger:A:BUS:ETHERCAT:NETWork:VARiable**

This command sets or queries the Network Variable fields in EtherCAT bus. The search number is specified by x.

**Conditions**     Requires option SR-ETHERCAT.

**Group**            Search and Mark

**Syntax**            `SEARCH:SEARCH<x>:TRIGger:A:BUS:ETHERCAT:NETWork:VARiable`  
                          `{PUBHEADer|NVHEADer|NVDATA}`  
                          `SEARCH:SEARCH<x>:TRIGger:A:BUS:ETHERCAT:NETWork:VARiable?`

**Arguments**        `PUBHEADer` specifies the Network Variable as `PUBHEADer`. This is the default value.

`NVHEADer` specifies the Network Variable as `NVHEADer`.

`NVDATA` specifies the Network Variable as `NVDATA`.

**Examples**        `SEARCH:SEARCH1:TRIGGER:A:BUS:ETHERCAT:NETWork:VARiable`  
                          `NVHEADer` sets the Network Variable to NV Header.

`SEARCH:SEARCH1:TRIGGER:A:BUS:ETHERCAT:NETWork:VARiable?` might return `:SEARCH:SEARCH1:TRIGGER:A:BUS:ETHERCAT:NETWork:VARiable NVHEADer`, indicating the Network Variable is NV Header.

## **SEARCH:SEARCH<x>:TRIGger:A:BUS:ETHERCAT:NETWork:VARiable:HEADer**

This command sets or queries the Network Variable Header fields in EtherCAT bus. The search number is specified by x.

**Conditions**        Requires option SR-ETHERCAT.

**Group**            Search and Mark

|                  |                                                                                                                                                                                                                                                                                                                                         |
|------------------|-----------------------------------------------------------------------------------------------------------------------------------------------------------------------------------------------------------------------------------------------------------------------------------------------------------------------------------------|
| <b>Syntax</b>    | SEARCH:SEARCH<x>:TRIGger:A:BUS:ETHERCAT:NETWork:VARiable:HEADer {INDeX HASH NVLEN Q}<br>SEARCH:SEARCH<x>:TRIGger:A:BUS:ETHERCAT:NETWork:VARiable:HEADer?                                                                                                                                                                                |
| <b>Arguments</b> | INDeX specifies the Network Variable Header field as INDeX. This is the default value.<br><br>HASH specifies the Network Variable Header field as HASH.<br><br>NVLEN specifies the Network Variable Header field as NVLEN.<br><br>Q specifies the Network Variable Header field as Q.                                                   |
| <b>Examples</b>  | SEARCH:SEARCH1:TRIGGER:A:BUS:ETHERCAT:NETWork:VARiable:HEADer NVLEN sets the Network Variable Header field as NVLEN.<br><br>SEARCH:SEARCH1:TRIGGER:A:BUS:ETHERCAT:NETWork:VARiable:HEADer? might return<br>:SEARCH:SEARCH1:TRIGGER:A:BUS:ETHERCAT:NETWork:VARiable:HEADer NVLEN, indicating the Network Variable Header field as NVLEN. |

## SEARCH:SEARCH<x>:TRIGger:A:BUS:ETHERCAT:NETWORKVARiable:DATA:SIZE

This command specifies the length of the network variable data string in bytes to be used for EtherCAT bus. The search number is specified by x.

|                   |                                                                                                                                                                                                  |
|-------------------|--------------------------------------------------------------------------------------------------------------------------------------------------------------------------------------------------|
| <b>Conditions</b> | Requires option SR-ETHERCAT.                                                                                                                                                                     |
| <b>Group</b>      | Search and Mark                                                                                                                                                                                  |
| <b>Syntax</b>     | SEARCH:SEARCH<x>:TRIGger:A:BUS:ETHERCAT:NETWORKVARiable:DATA:SIZE <NR1><br>SEARCH:SEARCH<x>:TRIGger:A:BUS:ETHERCAT:NETWORKVARiable:DATA:SIZE?                                                    |
| <b>Arguments</b>  | <NR1> is the Network Variable Data size. The default value is 1. The valid range is 1 to 5.                                                                                                      |
| <b>Examples</b>   | SEARCH:SEARCH1:TRIGGER:A:BUS:ETHERCAT:NETWORKVARiable:DATA:SIZE 3 sets the Network Variable Data size as 3.<br><br>SEARCH:SEARCH1:TRIGGER:A:BUS:ETHERCAT:NETWORKVARiable:DATA:SIZE? might return |

:SEARCH:SEARCH1:TRIGGER:A:BUS:ETHERCAT:NETWORKVARIABLE:DATA:SIZE 3, indicating the Network Variable Data size is 3.

## SEARCH:SEARCH<x>:TRIGGER:A:BUS:ETHERCAT:NETWORKVARIABLE:DATA:VALUE

This command specifies the binary network variable data string used for EtherCAT bus. The search number is specified by x.

|                   |                                                                                                                                                                                                                                                                                                                                                                  |
|-------------------|------------------------------------------------------------------------------------------------------------------------------------------------------------------------------------------------------------------------------------------------------------------------------------------------------------------------------------------------------------------|
| <b>Conditions</b> | Requires option SR-ETHERCAT.                                                                                                                                                                                                                                                                                                                                     |
| <b>Group</b>      | Search and Mark                                                                                                                                                                                                                                                                                                                                                  |
| <b>Syntax</b>     | SEARCH:SEARCH<x>:TRIGGER:A:BUS:ETHERCAT:NETWORKVARIABLE:DATA:VALUE <QString><br>SEARCH:SEARCH<x>:TRIGGER:A:BUS:ETHERCAT:NETWORKVARIABLE:DATA:VALUE?                                                                                                                                                                                                              |
| <b>Arguments</b>  | <QString> is the binary network variable data value to be used when searching on an EtherCAT bus signal. The default Network Variable Data value is "XXXXXXXX".                                                                                                                                                                                                  |
| <b>Examples</b>   | SEARCH:SEARCH1:TRIGGER:A:BUS:ETHERCAT:NETWORKVARIABLE:DATA:VALUE "00110011" sets the Network Variable Data value to "00110011".<br><br>SEARCH:SEARCH1:TRIGGER:A:BUS:ETHERCAT:NETWORKVARIABLE:DATA:VALUE? might return<br>:SEARCH:SEARCH1:TRIGGER:A:BUS:ETHERCAT:NETWORKVARIABLE:DATA:VALUE "00110011", indicating the Network Variable Data value is "00110011". |

## SEARCH:SEARCH<x>:TRIGGER:A:BUS:ETHERCAT:OFFSET:VALUE

This command sets the binary address offset information to be used for EtherCAT bus. The search number is specified by x.

|                   |                                                                                                                         |
|-------------------|-------------------------------------------------------------------------------------------------------------------------|
| <b>Conditions</b> | Requires option SR-ETHERCAT.                                                                                            |
| <b>Group</b>      | Search and Mark                                                                                                         |
| <b>Syntax</b>     | SEARCH:SEARCH<x>:TRIGGER:A:BUS:ETHERCAT:OFFSET:VALUE <QString><br>SEARCH:SEARCH<x>:TRIGGER:A:BUS:ETHERCAT:OFFSET:VALUE? |

**Arguments** <QString> is the binary Address Offset data value to be used when searching on an EtherCAT bus signal. The default size and value Address Offset is 16 bits and "XXXXXXXX XXXXXXXX" respectively.

**Examples** SEARCH:SEARCH1:TRIGGER:A:BUS:ETHERCAT:OFFSet:VALue "1100110011001100" sets the Address Offset value to "1100110011001100".

SEARCH:SEARCH1:TRIGGER:A:BUS:ETHERCAT:OFFSet:VALue? might return :SEARCH:SEARCH1:TRIGGER:A:BUS:ETHERCAT:OFFSet:VALue "1100110011001100", indicating the Address Offset value is "1100110011001100".

## SEARCH:SEARCH<x>:TRIGger:A:BUS:ETHERCAT:POSition:VALue

This command sets the binary address position information to be used for EtherCAT bus. The search number is specified by x.

**Conditions** Requires option SR-ETHERCAT.

**Group** Search and Mark

**Syntax** SEARCH:SEARCH<x>:TRIGger:A:BUS:ETHERCAT:POSition:VALue <QString>  
SEARCH:SEARCH<x>:TRIGger:A:BUS:ETHERCAT:POSition:VALue?

**Arguments** <QString> is the binary Address Position value to be used when searching on an EtherCAT bus signal. The default size and value Address Position is 16 bits and "XXXXXXXX XXXXXXXX" respectively.

**Examples** SEARCH:SEARCH1:TRIGGER:A:BUS:ETHERCAT:POSition:VALue "1100110011001100" sets the Address Position value to "1100110011001100".

SEARCH:SEARCH1:TRIGGER:A:BUS:ETHERCAT:POSition:VALue? might return :SEARCH:SEARCH1:TRIGGER:A:BUS:ETHERCAT:POSition:VALue "1100110011001100", indicating the Address Position value is "1100110011001100".

## SEARCH:SEARCH<x>:TRIGger:A:BUS:ETHERCAT:PROTOCOLTYPE

This command sets or queries the EtherCAT Protocol Type in EtherCAT bus. The search number is specified by x.

|                   |                                                                                                                                                                                                                                                                                      |
|-------------------|--------------------------------------------------------------------------------------------------------------------------------------------------------------------------------------------------------------------------------------------------------------------------------------|
| <b>Conditions</b> | Requires option SR-ETHERCAT.                                                                                                                                                                                                                                                         |
| <b>Group</b>      | Search and Mark                                                                                                                                                                                                                                                                      |
| <b>Syntax</b>     | SEARCH:SEARCH<x>:TRIGger:A:BUS:ETHERCAT:PROTOCOLTYPE<br>{PDU NETWORKVARiables MAILbox}<br>SEARCH:SEARCH<x>:TRIGger:A:BUS:ETHERCAT:PROTOCOLTYPE?                                                                                                                                      |
| <b>Arguments</b>  | PDU specifies the Protocol Type as PDU. This is the default value.<br>NETWORKVARiables specifies the Protocol Type as NETWORKVARiables.<br>MAILbox specifies the Protocol Type as MAILbox.                                                                                           |
| <b>Examples</b>   | SEARCH:SEARCH1:TRIGGER:A:BUS:ETHERCAT:PROTOCOLTYPE MAILbox<br>sets the Protocol Type as MAILbox.<br><br>SEARCH:SEARCH1:TRIGGER:A:BUS:ETHERCAT:PROTOCOLTYPE? might<br>return :SEARCH:SEARCH1:TRIGGER:A:BUS:ETHERCAT:PROTOCOLTYPE<br>MAILbox, indicating the Protocol Type as MAILbox. |

## SEARCH:SEARCH<x>:TRIGger:A:BUS:ETHERCAT:PUBID:VALue

This command sets the binary Publisher ID to be used for EtherCAT bus. The search number is specified by x.

|                   |                                                                                                                                                                                                                                 |
|-------------------|---------------------------------------------------------------------------------------------------------------------------------------------------------------------------------------------------------------------------------|
| <b>Conditions</b> | Requires option SR-ETHERCAT.                                                                                                                                                                                                    |
| <b>Group</b>      | Search and Mark                                                                                                                                                                                                                 |
| <b>Syntax</b>     | SEARCH:SEARCH<x>:TRIGger:A:BUS:ETHERCAT:PUBID:VALue<br><QString><br>SEARCH:SEARCH<x>:TRIGger:A:BUS:ETHERCAT:PUBID:VALue?                                                                                                        |
| <b>Arguments</b>  | <QString> is the binary Publisher ID value to be used when searching on an EtherCAT bus signal. The default size and value of Publisher ID is 48 bits and "XXXXXXXX XXXXXXXX XXXXXXXX XXXXXXXX XXXXXXXX XXXXXXXX" respectively. |
| <b>Examples</b>   | SEARCH:SEARCH1:TRIGGER:A:BUS:ETHERCAT:PUBID:VALue<br>"1100110011001100110011001100110011001100110011001100110011001100"                                                                                                         |

sets the Publisher ID value to  
 "11001100110011001100110011001100110011001100110011001100110011001100".

SEARCH:SEARCH1:TRIGGER:A:BUS:ETHERCAT:PUBID:VALue? might  
 return :SEARCH:SEARCH1:TRIGGER:A:BUS:ETHERCAT:PUBID:VALue  
 "11001100110011001100110011001100110011001100110011001100110011001100",  
 indicating the Publisher ID value is  
 "11001100110011001100110011001100110011001100110011001100110011001100".

## SEARCH:SEARCH<x>:TRIGger:A:BUS:ETHERCAT:QUALity:VALue

This command sets the binary quality to be used for EtherCAT bus. The search number is specified by x.

|                   |                                                                                                                                                                                                                                                                                                                               |
|-------------------|-------------------------------------------------------------------------------------------------------------------------------------------------------------------------------------------------------------------------------------------------------------------------------------------------------------------------------|
| <b>Conditions</b> | Requires option SR-ETHERCAT.                                                                                                                                                                                                                                                                                                  |
| <b>Group</b>      | Search and Mark                                                                                                                                                                                                                                                                                                               |
| <b>Syntax</b>     | SEARCH:SEARCH<x>:TRIGger:A:BUS:ETHERCAT:QUALity:VALue<br><QString><br>SEARCH:SEARCH<x>:TRIGger:A:BUS:ETHERCAT:QUALity:VALue?                                                                                                                                                                                                  |
| <b>Arguments</b>  | <QString> is the binary Quality value to be used when searching on an EtherCAT bus signal. The default size and value of Quality is 16 bits and "XXXXXXXXXXXXXXXX" respectively.                                                                                                                                              |
| <b>Examples</b>   | SEARCH:SEARCH1:TRIGGER:A:BUS:ETHERCAT:QUALity:VALue<br>"1100110011001100" sets the Quality value to "1100110011001100".<br><br>SEARCH:SEARCH1:TRIGGER:A:BUS:ETHERCAT:QUALity:VALue?<br>return :SEARCH:SEARCH1:TRIGGER:A:BUS:ETHERCAT:QUALity:VALue<br>"1100110011001100", indicating the Quality value is "1100110011001100". |

## SEARCH:SEARCH<x>:TRIGger:A:BUS:ETHERCAT:SERVice:DATa:LENGth

This command sets the binary Service Data Length to be used for EtherCAT bus. The search number is specified by x.

|                   |                              |
|-------------------|------------------------------|
| <b>Conditions</b> | Requires option SR-ETHERCAT. |
| <b>Group</b>      | Search and Mark              |

**Syntax** SEARCH:SEARCH<x>:TRIGger:A:BUS:ETHERCAT:SERvice:DATA:LENGTH <QString>  
SEARCH:SEARCH<x>:TRIGger:A:BUS:ETHERCAT:SERvice:DATA:LENGTH?

**Arguments** <QString> is the binary Service Data Length to be used when searching on an EtherCAT bus signal. The default size and value of Service Data Length is 16 bits and "XXXXXXXX XXXXXXXX" respectively.

**Examples** SEARCH:SEARCH1:TRIGGER:A:BUS:ETHERCAT:SERvice:DATA:LENGTH "0000111100001111" sets the Service Data Length to "0000111100001111".  
  
SEARCH:SEARCH1:TRIGGER:A:BUS:ETHERCAT:SERvice:DATA:LENGTH? might return  
:SEARCH:SEARCH1:TRIGGER:A:BUS:ETHERCAT:SERvice:DATA:LENGTH "0000111100001111", indicating the Service Data Length is "0000111100001111".

## SEARCH:SEARCH<x>:TRIGger:A:BUS:ETHERCAT:SERvice:DATA:SIZE

This command specifies the length of the service data string in bytes to be used for EtherCAT bus. The search number is specified by x.

**Conditions** Requires option SR-ETHERCAT.

**Group** Search and Mark

**Syntax** SEARCH:SEARCH<x>:TRIGger:A:BUS:ETHERCAT:SERvice:DATA:SIZE <NR1>  
SEARCH:SEARCH<x>:TRIGger:A:BUS:ETHERCAT:SERvice:DATA:SIZE?

**Arguments** <NR1> is the Service Data size. The default value is 1. The valid range is 1 to 5.

**Examples** SEARCH:SEARCH1:TRIGGER:A:BUS:ETHERCAT:SERvice:DATA:SIZE 2 sets the Service Data size as 2.  
  
SEARCH:SEARCH1:TRIGGER:A:BUS:ETHERCAT:SERvice:DATA:SIZE? might return  
:SEARCH:SEARCH1:TRIGGER:A:BUS:ETHERCAT:SERvice:DATA:SIZE 2, indicating the Service Data size is 2.



**SEARCH:SEARCH<x>:TRIGger:A:BUS:ETHERCAT:SERvice:DATA:VALue**

This command specifies the length of the service data string in bytes to be used for EtherCAT bus. The search number is specified by x.

|                   |                                                                                                                                                                                                                                                                                                                                 |
|-------------------|---------------------------------------------------------------------------------------------------------------------------------------------------------------------------------------------------------------------------------------------------------------------------------------------------------------------------------|
| <b>Conditions</b> | Requires option SR-ETHERCAT.                                                                                                                                                                                                                                                                                                    |
| <b>Group</b>      | Search and Mark                                                                                                                                                                                                                                                                                                                 |
| <b>Syntax</b>     | SEARCH:SEARCH<x>:TRIGger:A:BUS:ETHERCAT:SERvice:DATA:VALue<br><QString><br>SEARCH:SEARCH<x>:TRIGger:A:BUS:ETHERCAT:SERvice:DATA:VALue?                                                                                                                                                                                          |
| <b>Arguments</b>  | <QString> is the binary Service Data value to be used when searching on an EtherCAT bus signal. The default size and value of Service Data is 8 bits and "XXXXXXXX" respectively.                                                                                                                                               |
| <b>Examples</b>   | SEARCH:SEARCH1:TRIGGER:A:BUS:ETHERCAT:SERvice:DATA:VALue<br>"10100110" sets the Service Data value to "10100110".<br><br>SEARCH:SEARCH1:TRIGGER:A:BUS:ETHERCAT:SERvice:DATA:VALue?<br>might return<br>:SEARCH:SEARCH1:TRIGGER:A:BUS:ETHERCAT:SERvice:DATA:VALue<br>"10100110", indicating the Service Data value is "10100110". |

**SEARCH:SEARCH<x>:TRIGger:A:BUS:ETHERCAT:SOURCEADDRess:VALue**

This command sets the binary MAC source address value to be used for EtherCAT bus. The search number is specified by x.

|                   |                                                                                                                                                        |
|-------------------|--------------------------------------------------------------------------------------------------------------------------------------------------------|
| <b>Conditions</b> | Requires option SR-ETHERCAT.                                                                                                                           |
| <b>Group</b>      | Search and Mark                                                                                                                                        |
| <b>Syntax</b>     | SEARCH:SEARCH<x>:TRIGger:A:BUS:ETHERCAT:SOURCEADDRess:VALue<br><QString><br>SEARCH:SEARCH<x>:TRIGger:A:BUS:ETHERCAT:SOURCEADDRess:VALue?               |
| <b>Arguments</b>  | <QString> is the binary MAC source address value to be used when searching on an EtherCAT bus signal. The default size and value of MAC Source Address |

is 48 bits and "XXXXXXXX XXXXXXXX XXXXXXXX XXXXXXXX  
XXXXXXXX XXXXXXXX" respectively.

**Examples** SEARCH:SEARCH1:TRIGGER:A:BUS:ETHERCAT:SOURCEADDRESS:VALUE  
"100000001000000010000000100000001000000010000000"  
specifies the binary MAC source address value used for EtherCAT  
triggering if the trigger condition is MACADDRESS and sets it to  
"100000001000000010000000100000001000000010000000".

SEARCH:SEARCH1:TRIGGER:A:BUS:ETHERCAT:SOURCEADDRESS:VALUE?  
might return  
:SEARCH:SEARCH1:TRIGGER:A:BUS:ETHERCAT:SOURCEADDRESS:VALUE  
"100000001000000010000000100000001000000010000000",  
indicating the MAC source address value is  
"100000001000000010000000100000001000000010000000".

## SEARCH:SEARCH<x>:TRIGger:A:BUS:ETHERCAT:SRC:PORT:VALue

This command sets the UDP Source port to be used for EtherCAT bus. The search number is specified by x.

**Conditions** Requires option SR-ETHERCAT.

**Group** Search and Mark

**Syntax** SEARCH:SEARCH<x>:TRIGger:A:BUS:ETHERCAT:SRC:PORT:VALue  
<Qstring>  
SEARCH:SEARCH<x>:TRIGger:A:BUS:ETHERCAT:SRC:PORT:VALue?

**Arguments** <Qstring> is the binary Source Port value to be used when searching on an EtherCAT bus signal. The default size and value of Source Port is 16 bits and "XXXXXXXX XXXXXXXX" respectively.

**Examples** SEARCH:SEARCH1:TRIGGER:A:BUS:ETHERCAT:SRC:PORT:VALue  
"0101101001011010" specifies the binary Source Port to be used for  
EtherCAT triggering if the trigger condition is UDP Header and sets it to  
"0101101001011010".

SEARCH:SEARCH1:TRIGGER:A:BUS:ETHERCAT:SRC:PORT:VALue? might  
return :SEARCH:SEARCH1:TRIGGER:A:BUS:ETHERCAT:SRC:PORT:VALue  
"0101101001011010", indicating the Source Port value is "0101101001011010".

**SEARCH:SEARCH<x>:TRIGger:A:BUS:ETHERCAT:TCI:VALue**

This command sets the binary Tag control Information to be used for EtherCAT bus. The search number is specified by x.

|                   |                                                                                                                                                                                                                                                                                                                                                                                         |
|-------------------|-----------------------------------------------------------------------------------------------------------------------------------------------------------------------------------------------------------------------------------------------------------------------------------------------------------------------------------------------------------------------------------------|
| <b>Conditions</b> | Requires option SR-ETHERCAT.                                                                                                                                                                                                                                                                                                                                                            |
| <b>Group</b>      | Search and Mark                                                                                                                                                                                                                                                                                                                                                                         |
| <b>Syntax</b>     | SEARCH:SEARCH<x>:TRIGger:A:BUS:ETHERCAT:TCI:VALue <QString><br>SEARCH:SEARCH<x>:TRIGger:A:BUS:ETHERCAT:TCI:VALue?                                                                                                                                                                                                                                                                       |
| <b>Arguments</b>  | <QString> is the binary TCI value to be used when searching on an EtherCAT bus signal. The default size and value of TCI is 16 bits and "XXXXXXXXXXXXXXXXXX" respectively.                                                                                                                                                                                                              |
| <b>Examples</b>   | SEARCH:SEARCH1:TRIGGER:A:BUS:ETHERCAT:TCI:VALue "11010010" specifies the binary Tag control Information used for EtherCAT triggering if the trigger condition is TCI and sets it to "XXXXXXXX1010010".<br><br>SEARCH:SEARCH1:TRIGGER:A:BUS:ETHERCAT:TCI:VALue? might return :SEARCH:SEARCH1:TRIGGER:A:BUS:ETHERCAT:TCI:VALue "11010010", indicating the TCI value is "XXXXXXXX1010010". |

**SEARCH:SEARCH<x>:TRIGger:A:BUS:ETHERCAT:WKC:VALue**

This command sets the binary Working Counter information to be used for EtherCAT bus. The search number is specified by x.

|                   |                                                                                                                                                                                                                            |
|-------------------|----------------------------------------------------------------------------------------------------------------------------------------------------------------------------------------------------------------------------|
| <b>Conditions</b> | Requires option SR-ETHERCAT.                                                                                                                                                                                               |
| <b>Group</b>      | Search and Mark                                                                                                                                                                                                            |
| <b>Syntax</b>     | SEARCH:SEARCH<x>:TRIGger:A:BUS:ETHERCAT:WKC:VALue <QString><br>SEARCH:SEARCH<x>:TRIGger:A:BUS:ETHERCAT:WKC:VALue?                                                                                                          |
| <b>Arguments</b>  | <QString> is the binary Working Counter information value to be used when searching on an EtherCAT bus signal. The default size and value of Working Counter information is 16 bits and "XXXXXXXXXXXXXXXXXX" respectively. |

**Examples**      `SEARCH:SEARCH1:TRIGGER:A:BUS:ETHERCAT:WKC:VALue`  
"1100110011001100" sets the Working Counter information value as  
"1100110011001100".

`SEARCH:SEARCH1:TRIGGER:A:BUS:ETHERCAT:WKC:VALue?` might  
return :`SEARCH:SEARCH1:TRIGGER:A:BUS:ETHERCAT:WKC:VALue`  
"1100110011001100", indicating the Working Counter information value is  
"1100110011001100".

## **SEARCH:SEARCH<x>:TRIGger:A:BUS:ETHERnet:CONDition**

This command specifies a field or condition for an Ethernet bus to search on.  
The search number is specified by x.

**Conditions**      Requires option 5-SRENET or SUP5-SRENET Triggering and Analysis  
application.

**Group**            Search and Mark

**Syntax**            `SEARCH:SEARCH<x>:TRIGger:A:BUS:ETHERnet:CONDition`  
{SFD|MACADDRESS|MACLENgth|IPHeader|TCPHeader|DATA|EOP|  
IDLe|FCSError|QTAG}

`SEARCH:SEARCH<x>:TRIGger:A:BUS:ETHERnet:CONDition?`

**Related Commands**      Most of the other `TRIGger:A:BUS:B<x>:ETHERnet` commands are impacted  
by the setting of this command.

**Arguments**        SFD – Start of frame delimiter.  
MACADDRESS – MAC addresses field.  
MACLENgth – MAC length/type field.  
IPHeader – IP header field.  
TCPHeader – TCP header field.  
DATA – TCP/IPv4 or MAC protocol client data field.  
EOP – End of Packet field.  
IDLe – Idle field.  
FCSError – Frame Check Sequence Error (CRC) field.  
QTAG – IEEE 802.1Q (VLAN) control information field.

- Examples**     `SEARCH:SEARCH1:TRIGGER:A:BUS:ETHERNET:CONDITION MACADDRESS` specifies `MACADDRESS` as the field within an Ethernet frame to search on.
- `SEARCH:SEARCH1:TRIGGER:A:BUS:ETHERNET:CONDITION?` might return `DATA`, indicating that `DATA` is the currently specified field within an Ethernet frame to search on.

## **SEARCH:SEARCH<x>:TRIGger:A:BUS:ETHERnet:DATA:HIVALue**

This command sets or queries the binary data value to be used when searching on an Ethernet bus signal. The search condition must be set to `DATA` and the data qualifier to inside or outside range. The search number is specified by `x`.

- Conditions**     Requires option 5-SRENET or SUP5-SRENET Triggering and Analysis application.
- Group**         Search and Mark
- Syntax**         `SEARCH:SEARCH<x>:TRIGger:A:BUS:ETHERnet:DATA:HIVALue`  
                       `<QString>`  
                       `SEARCH:SEARCH<x>:TRIGger:A:BUS:ETHERnet:DATA:HIVALue?`
- Arguments**     `<QString>` is the binary data value to be used when searching on an Ethernet bus signal.
- Examples**        `SEARCH:SEARCH1:TRIGger:A:BUS:ETHERnet:DATA:HIVALue "101011"` sets the data `HIVALue` to `101011`.
- `SEARCH:SEARCH1:TRIGger:A:BUS:ETHERnet:DATA:HIVALue?` might return `SEARCH:SEARCH1:TRIGGER:A:BUS:ETHERNET:DATA:HIVALUE "10101"`.

## **SEARCH:SEARCH<x>:TRIGger:A:BUS:ETHERnet:DATA:OFFSet**

This command specifies the data offset value, in bytes, to use when searching on the Ethernet data field. The search condition needs to be set to `DATA`. The search number is specified by `x`.

- Conditions**     Requires option 5-SRENET or SUP5-SRENET Triggering and Analysis application.

|                         |                                                                                                                                                                                                                                                         |
|-------------------------|---------------------------------------------------------------------------------------------------------------------------------------------------------------------------------------------------------------------------------------------------------|
| <b>Group</b>            | Search and Mark                                                                                                                                                                                                                                         |
| <b>Syntax</b>           | SEARCH:SEARCH<x>:TRIGger:A:BUS:ETHERnet:DATA:OFFSet <NR1><br>SEARCH:SEARCH<x>:TRIGger:A:BUS:ETHERnet:DATA:OFFSet?                                                                                                                                       |
| <b>Related Commands</b> | <a href="#">SEARCH:SEARCH&lt;x&gt;:TRIGger:A:BUS:ETHERnet:CONDition</a><br><a href="#">SEARCH:SEARCH&lt;x&gt;:TRIGger:A:BUS:ETHERnet:DATA:VALue</a><br><a href="#">SEARCH:SEARCH&lt;x&gt;:TRIGger:A:BUS:ETHERnet:DATA:SIZE</a>                          |
| <b>Arguments</b>        | <NR1> is an integer whose minimum and default values are -1 (don't care) and maximum is 1,499.                                                                                                                                                          |
| <b>Examples</b>         | SEARCH:SEARCH1:TRIGGER:A:BUS:ETHERNET:DATA:OFFSET 36 sets the data offset to 36 bytes.<br><br>SEARCH:SEARCH1:TRIGGER:A:BUS:ETHERNET:DATA:OFFSET? might return -1, indicating that the data offset value is the default value, -1, meaning "don't care". |

## SEARCH:SEARCH<x>:TRIGger:A:BUS:ETHERnet:DATA:QUALifier

This command specifies the qualifier to be used when searching on an Ethernet bus signal. The search condition must be set to DATA. The search number is specified by x.

|                         |                                                                                                                                                                                             |
|-------------------------|---------------------------------------------------------------------------------------------------------------------------------------------------------------------------------------------|
| <b>Conditions</b>       | Requires option 5-SRENET or SUP5-SRENET Triggering and Analysis application.                                                                                                                |
| <b>Group</b>            | Search and Mark                                                                                                                                                                             |
| <b>Syntax</b>           | SEARCH:SEARCH<x>:TRIGger:A:BUS:ETHERnet:DATA:QUALifier<br>{LESSthan MOREthan EQua UNEQua LESSEQua MOREEQua INrange OUTrange}<br><br>SEARCH:SEARCH<x>:TRIGger:A:BUS:ETHERnet:DATA:QUALifier? |
| <b>Related Commands</b> | <a href="#">SEARCH:SEARCH&lt;x&gt;:TRIGger:A:BUS:ETHERnet:CONDition</a>                                                                                                                     |

**Arguments**    **LESSThan** sets the qualifier to less than.  
**MOREthan** sets the qualifier to greater than.  
**Equal** sets the qualifier to equal.  
**UNEQual** sets the qualifier to not equal.  
**LESSEQual** sets the qualifier to less than or equal.  
**MOREEQual** sets the qualifier to greater than or equal.  
**INrange** sets the qualifier to in range.  
**OUTrange** sets the qualifier to out of range.

**Examples**    **SEARCH:SEARCH1:TRIGGER:A:BUS:ETHERNET:DATA:QUALIFIER**  
**LESSTHAN** sets the qualifier to "less than".  
**SEARCH:SEARCH1:TRIGGER:A:BUS:ETHERNET:DATA:QUALIFIER?** might  
return **SEARCH:SEARCH1:TRIGGER:A:BUS:ETHERNET:DATA:QUALIFIER**  
**EQUAL** indicating that the qualifier is set to **EQUAL**.

## **SEARCH:SEARCH<x>:TRIGger:A:BUS:ETHERnet:DATA:SIZE**

This command specifies the length of the data string, in bytes, to use when searching on the Ethernet bus signal. The search condition needs to be set to **DATA**. The search number is specified by **x**.

**Conditions**    Requires option 5-SRENET or SUP5-SRENET Triggering and Analysis application.

**Group**        Search and Mark

**Syntax**        **SEARCH:SEARCH<x>:TRIGger:A:BUS:ETHERnet:DATA:SIZE <NR1>**  
**SEARCH:SEARCH<x>:TRIGger:A:BUS:ETHERnet:DATA:SIZE?**

**Related Commands**    [SEARCH:SEARCH<x>:TRIGger:A:BUS:ETHERnet:CONDition](#)

**Arguments**    <NR1> specifies the length of the data string, in bytes. The minimum and default values are 1, and the maximum value is 16.

**Examples**        **SEARCH:SEARCH1:TRIGGER:A:BUS:ETHERNET:DATA:SIZE 4** specifies 4 as the number of contiguous TCP/IPv4/MAC client bytes to use when searching on the Ethernet data field.

SEARCH:SEARCH1:TRIGGER:A:BUS:ETHERNET:DATA:SIZE? might return 6, indicating that 6 is the currently specified number of contiguous TCP/IPv4/MAC client bytes to use when searching on the Ethernet data field.

## SEARCH:SEARCH<x>:TRIGger:A:BUS:ETHERnet:DATA:VALue

This command specifies the binary value to use when searching on the Ethernet bus signal. The search condition needs to be set to DATA. The search number is specified by x.

|                   |                                                                                                                     |
|-------------------|---------------------------------------------------------------------------------------------------------------------|
| <b>Conditions</b> | Requires option 5-SRENET or SUP5-SRENET Triggering and Analysis application.                                        |
| <b>Group</b>      | Search and Mark                                                                                                     |
| <b>Syntax</b>     | SEARCH:SEARCH<x>:TRIGger:A:BUS:ETHERnet:DATA:VALue <QString><br>SEARCH:SEARCH<x>:TRIGger:A:BUS:ETHERnet:DATA:VALue? |

**Related Commands**    [SEARCH:SEARCH<x>:TRIGger:A:BUS:ETHERnet:CONDition](#)  
[SEARCH:SEARCH<x>:TRIGger:A:BUS:ETHERnet:DATA:OFFSet](#)  
[SEARCH:SEARCH<x>:TRIGger:A:BUS:ETHERnet:DATA:SIZE](#)

**Arguments**    <QString> is a quoted string where the allowable characters are 0, 1, and X. The allowable number of characters depends on the setting for size (using [SEARCH:SEARCH<x>:TRIGger:A:BUS:ETHERnet:DATA:SIZE](#)). The bits specified in the quoted string replace the least significant bits, leaving any unspecified upper bits unchanged.

**Examples**    SEARCH:SEARCH1:TRIGGER:A:BUS:ETHERNET:DATA:VALUE "00001000" specifies 00001000 as the value to use when triggering on the Ethernet binary data field, assuming that TRIGGER:A:BUS:ETHERNET:DATA:SIZE is set to 1 byte.

SEARCH:SEARCH1:TRIGGER:A:BUS:ETHERNET:DATA:VALUE? might return "00001000", indicating 00001000 is the currently specified value used when searching on the Ethernet binary data field.



**SEARCH:SEARCH<x>:TRIGger:A:BUS:ETHERnet:IPHeader:DESTInationaddr:VALue**

This command specifies the binary destination address value to use when searching on an Ethernet bus signal. The search condition needs to be set to IPHeader. The search number is specified by x.

**Conditions** Requires option 5-SRENET or SUP5-SRENET Triggering and Analysis application.

**Group** Search and Mark

**Syntax** SEARCH:SEARCH<x>:TRIGger:A:BUS:ETHERnet:IPHeader:DESTInationaddr:VALue <QString>  
SEARCH:SEARCH<x>:TRIGger:A:BUS:ETHERnet:IPHeader:DESTInationaddr:VALue?

**Related Commands** [SEARCH:SEARCH<x>:TRIGger:A:BUS:ETHERnet:CONDition](#)

**Arguments** <QString> is a quoted string of up to 32 characters where the allowable characters are 0, 1, and X. The bits specified in the quoted string replace the least significant bits, leaving any unspecified upper bits unchanged.

**Examples** SEARCH:SEARCH1:TRIGGER:A:BUS:ETHERNET:IPHEADER:DESTINATIONADDR:VALUE "11000000101010000000000000000001" specifies 192.168.0.1 as the value to use when searching on the Ethernet IPv4 header address destination field.

SEARCH:SEARCH1:TRIGGER:A:BUS:ETHERNET:IPHEADER:DESTINATIONADDR:VALUE? might return "11000000101010000000000000000001", indicating that 192.168.0.1 is the currently specified value used when searching on the Ethernet IPv4 header address destination field.

**SEARCH:SEARCH<x>:TRIGger:A:BUS:ETHERnet:IPHeader:PROTOcol:VALue**

This command specifies the binary protocol value to use when searching on the Ethernet bus signal. The search condition needs to be set to IPHeader. The search number is specified by x.

---

**NOTE.** Commonly used protocol values are 1 (ICMP), 2 (IGMP), 6 (TCP) and 17 (UDP).

---

|                         |                                                                                                                                                                                                                                                                                                                                         |
|-------------------------|-----------------------------------------------------------------------------------------------------------------------------------------------------------------------------------------------------------------------------------------------------------------------------------------------------------------------------------------|
| <b>Conditions</b>       | Requires option 5-SRENET or SUP5-SRENET Triggering and Analysis application.                                                                                                                                                                                                                                                            |
| <b>Group</b>            | Search and Mark                                                                                                                                                                                                                                                                                                                         |
| <b>Syntax</b>           | SEARCH:SEARCH<x>:TRIGger:A:BUS:ETHERnet:IPHeader:PROTOcol:VALue <QString><br>SEARCH:SEARCH<x>:TRIGger:A:BUS:ETHERnet:IPHeader:PROTOcol:VALue?                                                                                                                                                                                           |
| <b>Related Commands</b> | <a href="#">SEARCH:SEARCH&lt;x&gt;:TRIGger:A:BUS:ETHERnet:CONDition</a>                                                                                                                                                                                                                                                                 |
| <b>Arguments</b>        | <QString> is a quoted string of up to 8 characters where the allowable characters are 0, 1, and X. The bits specified in the quoted string replace the least significant bits, leaving any unspecified upper bits unchanged.                                                                                                            |
| <b>Examples</b>         | SEARCH:SEARCH1:TRIGGER:A:BUS:ETHERNET:IPHEADER:PROTOCOL:VALUE "01010010" specifies 01010010 as the value to use when searching on the Ethernet IP header protocol field.<br><br>SEARCH:SEARCH1:TRIGGER:A:BUS:ETHERNET:IPHEADER:PROTOCOL:VALUE? might return "XXXXXXXX", indicating that the trigger value has been set to "don't care". |

## SEARCH:SEARCH<x>:TRIGger:A:BUS:ETHERnet:IPHeader:SOURceaddr:VALue

This command specifies the binary source address value to use when searching on an Ethernet bus signal. The search condition needs to be set to IPHeader. The search number is specified by x.

|                         |                                                                                                                                                   |
|-------------------------|---------------------------------------------------------------------------------------------------------------------------------------------------|
| <b>Conditions</b>       | Requires option 5-SRENET or SUP5-SRENET Triggering and Analysis application.                                                                      |
| <b>Group</b>            | Search and Mark                                                                                                                                   |
| <b>Syntax</b>           | SEARCH:SEARCH<x>:TRIGger:A:BUS:ETHERnet:IPHeader:SOURceaddr:VALue <QString><br>SEARCH:SEARCH<x>:TRIGger:A:BUS:ETHERnet:IPHeader:SOURceaddr:VALue? |
| <b>Related Commands</b> | <a href="#">SEARCH:SEARCH&lt;x&gt;:TRIGger:A:BUS:ETHERnet:CONDition</a>                                                                           |

**Arguments** <QString> is a quoted string of up to 32 characters where the allowable characters are 0, 1, and X. The bits specified in the quoted string replace the least significant bits, leaving any unspecified upper bits unchanged.

**Examples** SEARCH:SEARCH1:TRIGGER:A:BUS:ETHERNET:IPHEADER:SOURCEADDR:VALUE "11000000101010000000000000000001" specifies to use the value of 192.168.0.1 when searching on the Ethernet IP header address source field.

SEARCH:SEARCH1:TRIGGER:A:BUS:ETHERNET:IPHEADER:SOURCEADDR:VALUE might return "11000000101010000000000000000001", indicating that the search value has been set to 192.168.0.1.

## SEARCH:SEARCH<x>:TRIGger:A:BUS:ETHERnet:MAC:ADDRESS:DESTination:VALue

This command specifies the binary MAC address destination value to use when searching on an Ethernet bus signal. The search condition needs to be set to MACADDRESS. The search number is specified by x.

---

**NOTE.** MAC Addresses are 48-bit values such as 08:00:11:1E:C9:AE hex.

---

**Conditions** Requires option 5-SRENET or SUP5-SRENET Triggering and Analysis application.

**Group** Search and Mark

**Syntax** SEARCH:SEARCH<x>:TRIGger:A:BUS:ETHERnet:MAC:ADDRESS:DESTination:VALue <QString>  
SEARCH:SEARCH<x>:TRIGger:A:BUS:ETHERnet:MAC:ADDRESS:DESTination:VALue?

**Related Commands** [SEARCH:SEARCH<x>:TRIGger:A:BUS:ETHERnet:CONDition](#)

**Arguments** <QString> is a quoted string of up to 48 characters where the allowable characters are 0, 1, and X. The bits specified in the quoted string replace the least significant bits, leaving any unspecified upper bits unchanged.

**Examples** SEARCH:SEARCH1:TRIGGER:A:BUS:ETHERNET:MAC:ADDRESS:DESTINATION:VALUE "XXXXXXXX0011010111111100000001111010101011001000" specifies to use the value of XX:35:FC:07:AA:C8 hex when searching on the Ethernet MAC address destination field.

SEARCH:SEARCH1:TRIGGER:A:BUS:ETHERNET:MAC:ADDRESS:DESTINATION:VALUE? might return "XXXXXXXX001101011111100000001111010101011001000", indicating a MAC address destination field value of XX:35:FC:07:AA:C8 hex.

## SEARCH:SEARCH<x>:TRIGger:A:BUS:ETHERnet:MAC:ADDResS:SOURce:VALue

This command specifies the binary MAC address source value to use when searching on an Ethernet bus signal. The search condition needs to be set to MACADDRESS. The search number is specified by x.

---

**NOTE.** MAC Addresses are 48-bit values such as 08:00:11:1E:C9:AE hex.

---

|                         |                                                                                                                                                                                                                                                                                                                                                                                                                                            |
|-------------------------|--------------------------------------------------------------------------------------------------------------------------------------------------------------------------------------------------------------------------------------------------------------------------------------------------------------------------------------------------------------------------------------------------------------------------------------------|
| <b>Conditions</b>       | Requires option 5-SRENET or SUP5-SRENET Triggering and Analysis application.                                                                                                                                                                                                                                                                                                                                                               |
| <b>Group</b>            | Search and Mark                                                                                                                                                                                                                                                                                                                                                                                                                            |
| <b>Syntax</b>           | SEARCH:SEARCH<x>:TRIGger:A:BUS:ETHERnet:MAC:ADDResS:SOURce:VALue <QString><br>SEARCH:SEARCH<x>:TRIGger:A:BUS:ETHERnet:MAC:ADDResS:SOURce:VALue?                                                                                                                                                                                                                                                                                            |
| <b>Related Commands</b> | <a href="#">SEARCH:SEARCH&lt;x&gt;:TRIGger:A:BUS:ETHERnet:CONDition</a>                                                                                                                                                                                                                                                                                                                                                                    |
| <b>Arguments</b>        | <QString> is a quoted string of up to 48 characters where the allowable characters are 0, 1, and X. The bits specified in the quoted string replace the least significant bits, leaving any unspecified upper bits unchanged.                                                                                                                                                                                                              |
| <b>Examples</b>         | SEARCH:SEARCH1:TRIGGER:A:BUS:ETHERNET:MAC:ADDRESS:SOURCE:VALUE "XXXXXXXX001101011111100000001111010101011001000" specifies to use the value of XX:35:FC:07:AA:C8 hex when searching on the Ethernet MAC address source field.<br><br>SEARCH:SEARCH1:TRIGGER:A:BUS:ETHERNET:MAC:ADDRESS:SOURCE:VALUE? might return "XXXXXXXX001101011111100000001111010101011001000", indicating a MAC address source field value of XX:35:FC:07:AA:C8 hex. |

**SEARCH:SEARCH<x>:TRIGger:A:BUS:ETHERnet:MAC:LENgth:HIVALue**

This command specifies the binary MAC length high value to use when searching on an Ethernet bus signal. The search condition needs to be set to `MACADDRESS`. The search number is specified by `x`.

**Conditions** Requires option 5-SRENET or SUP5-SRENET Triggering and Analysis application.

**Group** Search and Mark

**Syntax** SEARCH:SEARCH<x>:TRIGger:A:BUS:ETHERnet:MAC:LENgth:HIVALue  
<QString>  
SEARCH:SEARCH<x>:TRIGger:A:BUS:ETHERnet:MAC:LENgth:HIVALue?

**Related Commands** [SEARCH:SEARCH<x>:TRIGger:A:BUS:ETHERnet:CONDition](#)

**Arguments** <QString> is a quoted string of up to 16 characters where the allowable characters are 0, 1, and X. The bits specified in the quoted string replace the least significant bits, leaving any unspecified upper bits unchanged.

**Examples** SEARCH:SEARCH1:TRIGGER:A:BUS:ETHERNET:MAC:LENGTH:HIVALUE  
"XXXXXXXX00001000" specifies to use the hexadecimal value XX08 when searching on the Ethernet MAC length.

SEARCH:SEARCH1:TRIGGER:A:BUS:ETHERNET:MAC:LENGTH:HIVALUE?  
might return "XXXXXXXX00001000", indicating an Ethernet MAC length value of XX08 hex.

**SEARCH:SEARCH<x>:TRIGger:A:BUS:ETHERnet:MAC:LENgth:VALue**

This command specifies the MAC length value to use when searching on an Ethernet bus signal. The search condition needs to be set to `MACADDRESS`. The search number is specified by `x`.

**Conditions** Requires option 5-SRENET or SUP5-SRENET Triggering and Analysis application.

**Group** Search and Mark

**Syntax** SEARCH:SEARCH<x>:TRIGger:A:BUS:ETHERnet:MAC:LENGTH:VALue <QString>  
SEARCH:SEARCH<x>:TRIGger:A:BUS:ETHERnet:MAC:LENGTH:VALue?

**Related Commands** [SEARCH:SEARCH<x>:TRIGger:A:BUS:ETHERnet:CONDition](#)

**Arguments** <QString> is a quoted string of up to 16 characters where the allowable characters are 0, 1, and X. The bits specified in the quoted string replace the least significant bits, leaving any unspecified upper bits unchanged.

**Examples** SEARCH:SEARCH1:TRIGGER:A:BUS:ETHERNET:MAC:LENGTH:HIVALUE "XXXXXXXX00001000" specifies to use the hexadecimal value XX08 when searching on the Ethernet MAC length.

SEARCH:SEARCH1:TRIGGER:A:BUS:ETHERNET:MAC:LENGTH:HIVALUE? might return "XXXXXXXX00001000", indicating an Ethernet MAC length value of XX08 hex.

## SEARCH:SEARCH<x>:TRIGger:A:BUS:ETHERnet:QTAG:VALue

This command specifies the binary Q-tag information to use when searching on an Ethernet bus signal. The search condition needs to be set to QTAG. The search number is specified by x.

**Conditions** Requires option 5-SRENET or SUP5-SRENET Triggering and Analysis application.

**Group** Search and Mark

**Syntax** SEARCH:SEARCH<x>:TRIGger:A:BUS:ETHERnet:QTAG:VALue <QString>  
SEARCH:SEARCH<x>:TRIGger:A:BUS:ETHERnet:QTAG:VALue?

**Related Commands** [SEARCH:SEARCH<x>:TRIGger:A:BUS:ETHERnet:CONDition](#)

**Arguments** <QString> is a quoted string of up to 32 characters where the allowable characters are 0, 1, and X. The bits specified in the quoted string replace the least significant bits, leaving any unspecified upper bits unchanged.

**Examples** SEARCH:SEARCH1:TRIGGER:A:BUS:ETHERNET:QTAG:VALUE "XXXXXXXXXXXXXXXXXXXX010010001010" specifies to use the value of hexadecimal XXXXX48A when searching on the Ethernet Q-Tag field.

SEARCH:SEARCH1:TRIGGER:A:BUS:ETHERNET:QTAG:VALUE? might return "XXXXXXXXXXXXXXXXXXXX010010001010", indicating that hexadecimal XXXXX48A has been set as the Ethernet Q-Tag field search value.

## SEARCH:SEARCH<x>:TRIGger:A:BUS:ETHERnet:TCPHeader:ACKnum:VALue

This command specifies the binary ack number value to use when searching on an Ethernet bus signal. The default is all X's (don't care). The search condition needs to be set to TCPHeader. The search number is specified by x.

**Conditions** Requires option 5-SRENET or SUP5-SRENET Triggering and Analysis application.

**Group** Search and Mark

**Syntax** SEARCH:SEARCH<x>:TRIGger:A:BUS:ETHERnet:TCPHeader:ACKnum:VALue <QString>  
SEARCH:SEARCH<x>:TRIGger:A:BUS:ETHERnet:TCPHeader:ACKnum:VALue?

**Related Commands** [SEARCH:SEARCH<x>:TRIGger:A:BUS:ETHERnet:CONDition](#)

**Arguments** <QString> is a quoted string of up to 32 characters where the allowable characters are 0, 1, and X. The bits specified in the quoted string replace the least significant bits, leaving any unspecified upper bits unchanged.

**Examples** SEARCH:SEARCH1:TRIGGER:A:BUS:ETHERNET:TCPHEADER:ACKNUM:VALUE "XXXXXXXXXXXXXXXXXXXX00001000" specifies hexadecimal XXXXXX08 as the value to use when searching on the Ethernet TCP header acknowledgement number.

TRIGGER:A:BUS:ETHERNET:TCPHEADER:ACKNUM:VALUE? might return "XXXXXXXXXXXXXXXXXXXX00001000", indicating that hexadecimal XXXXXX08 has been specified as the value to use when searching on the Ethernet TCP header acknowledgement number.

## SEARCH:SEARCH<x>:TRIGger:A:BUS:ETHERnet:TCPHeader:DESTinationport:VALue

This command specifies the binary destination port value to use when searching on the Ethernet TCP header destination port number. The search condition needs to be set to TCPHeader. The search number is specified by x.

|                         |                                                                                                                                                                                                                                                                                                                                                                                                                                                                  |
|-------------------------|------------------------------------------------------------------------------------------------------------------------------------------------------------------------------------------------------------------------------------------------------------------------------------------------------------------------------------------------------------------------------------------------------------------------------------------------------------------|
| <b>Conditions</b>       | Requires option 5-SRENET or SUP5-SRENET Triggering and Analysis application.                                                                                                                                                                                                                                                                                                                                                                                     |
| <b>Group</b>            | Search and Mark                                                                                                                                                                                                                                                                                                                                                                                                                                                  |
| <b>Syntax</b>           | SEARCH:SEARCH<x>:TRIGger:A:BUS:ETHERnet:TCPHeader:DESTINATIONport:VALue <QString><br>SEARCH:SEARCH<x>:TRIGger:A:BUS:ETHERnet:TCPHeader:DESTINATIONport:VALue?                                                                                                                                                                                                                                                                                                    |
| <b>Related Commands</b> | <a href="#">SEARCH:SEARCH&lt;x&gt;:TRIGger:A:BUS:ETHERnet:CONDition</a>                                                                                                                                                                                                                                                                                                                                                                                          |
| <b>Arguments</b>        | <QString> is a quoted string of up to 16 characters where the allowable characters are 0, 1, and X. The bits specified in the quoted string replace the least significant bits, leaving any unspecified upper bits unchanged.                                                                                                                                                                                                                                    |
| <b>Examples</b>         | SEARCH:SEARCH1:TRIGGER:A:BUS:ETHERNET:TCPHEADER:DESTINATIONPORT:VALUE "XXXXXXXX00100010" specifies to use the value of hexadecimal XX22 when searching on the Ethernet TCP header destination port number.<br><br>SEARCH:SEARCH1:TRIGGER:A:BUS:ETHERNET:TCPHEADER:DESTINATIONPORT:VALUE? might return "XXXXXXXXXXXXXXXXXX", indicating that hexadecimal XX22 has been set as the value to use when searching on the Ethernet TCP header destination port number. |

## SEARCH:SEARCH<x>:TRIGger:A:BUS:ETHERnet:TCPHeader:SEQnum:VALue

This command specifies the binary sequence number value to use when searching on an Ethernet bus signal. The default is all X's (don't care). The search condition needs to be set to TCPHeader. The search number is specified by x.

|                   |                                                                                                                                             |
|-------------------|---------------------------------------------------------------------------------------------------------------------------------------------|
| <b>Conditions</b> | Requires option 5-SRENET or SUP5-SRENET Triggering and Analysis application.                                                                |
| <b>Group</b>      | Search and Mark                                                                                                                             |
| <b>Syntax</b>     | SEARCH:SEARCH<x>:TRIGger:A:BUS:ETHERnet:TCPHeader:SEQnum:VALue <QString><br>SEARCH:SEARCH<x>:TRIGger:A:BUS:ETHERnet:TCPHeader:SEQnum:VALue? |



**Related Commands**     [SEARCH:SEARCH<x>:TRIGger:A:BUS:ETHERnet:CONDition](#)

**Arguments**     <QString> is a quoted string of up to 32 characters where the allowable characters are 0, 1, and X. The bits specified in the quoted string replace the least significant bits, leaving any unspecified upper bits unchanged.

**Examples**     SEARCH:SEARCH1:TRIGGER:A:BUS:ETHERNET:TCPHEADER:SEQNUM:VALUE "XXXXXXXXXXXXXXXXXXXX000100010001" specifies to use the value of hexadecimal XXXXX111 when searching on the Ethernet TCP header sequence number.

SEARCH:SEARCH1:TRIGGER:A:BUS:ETHERNET:TCPHEADER:SEQNUM:VALUE? might return "XXXXXXXXXXXXXXXXXXXX0010010100", indicating that hexadecimal XXXXX111 has been specified as the value to use when searching on the Ethernet TCP header sequence number.

## SEARCH:SEARCH<x>:TRIGger:A:BUS:ETHERnet:TCPHeader:SOUrceport:VALue

This command specifies the binary source port value to use when searching on an Ethernet bus signal. The search condition needs to be set to TCPHeader. The search number is specified by x.

**Conditions**     Requires option 5-SRENET or SUP5-SRENET Triggering and Analysis application.

**Group**     Search and Mark

**Syntax**     SEARCH:SEARCH<x>:TRIGger:A:BUS:ETHERnet:TCPHeader:SOURCEport:VALue <QString>  
SEARCH:SEARCH<x>:TRIGger:A:BUS:ETHERnet:TCPHeader:SOURCEport:VALue?

**Related Commands**     [SEARCH:SEARCH<x>:TRIGger:A:BUS:ETHERnet:CONDition](#)

**Arguments**     <QString> is a quoted string of up to 16 characters where the allowable characters are 0, 1, and X. The bits specified in the quoted string replace the least significant bits, leaving any unspecified upper bits unchanged.

**Examples**     SEARCH:SEARCH1:TRIGGER:A:BUS:ETHERNET:TCPHEADER:SOURCEPORT:VALUE "XXXX000010100110" specifies to use the value of

hexadecimal X0A6 when searching on the Ethernet TCP header source port number.

SEARCH:SEARCH1:TRIGGER:A:BUS:ETHERNET:TCPHEADER:SOURCEPORT:VALUE? might return "XXXXXX01001010110", indicating that hexadecimal X0A6 has been specified as the value to use when searching on the Ethernet TCP header source port number.

## SEARCH:SEARCH<x>:TRIGger:A:BUS:EUSB:ADDRESS:HIVALue

This command sets the high binary address value to be used when triggering on a eUSB bus signal. The trigger condition must be set to TOKEN.

|                   |                                                                                                                                                                                                                                                                                                                                                                                                           |
|-------------------|-----------------------------------------------------------------------------------------------------------------------------------------------------------------------------------------------------------------------------------------------------------------------------------------------------------------------------------------------------------------------------------------------------------|
| <b>Conditions</b> | Requires option SR-EUSB2                                                                                                                                                                                                                                                                                                                                                                                  |
| <b>Group</b>      | Search and Mark                                                                                                                                                                                                                                                                                                                                                                                           |
| <b>Syntax</b>     | SEARCH:SEARCH<x>:TRIGger:A:BUS:EUSB:ADDRESS:HIVALue<br><QString><br>SEARCH:SEARCH<x>:TRIGger:A:BUS:EUSB:ADDRESS:HIVALue?                                                                                                                                                                                                                                                                                  |
| <b>Arguments</b>  | <QString> specifies the value in the specified valid format. The valid characters are 0, 1, and X (for binary, for hexadecimal, and symbolic).                                                                                                                                                                                                                                                            |
| <b>Examples</b>   | SEARCH:SEARCH1:TRIGger:A:BUS:EUSB:ADDRESS:HIVALue XXXXXXXX specifies high binary address value as XXXXXXXX within an eUSB frame to search on.<br><br>SEARCH:SEARCH1:TRIGger:A:BUS:EUSB:ADDRESS:HIVALue? might return SEARCH:SEARCH1:TRIGger:A:BUS:EUSB:ADDRESS:HIVALue XXXXXXXX, indicating the high binary address value as XXXXXXXX in the currently specified field within an eUSB frame to search on. |

## SEARCH:SEARCH<x>:TRIGger:A:BUS:EUSB:ADDRESS:VALue

This command sets the binary address value to be used when triggering on a eUSB bus signal. The trigger condition must be set to TOKEN. The search number is specified by x.

|                   |                          |
|-------------------|--------------------------|
| <b>Conditions</b> | Requires option SR-EUSB2 |
|-------------------|--------------------------|

|                  |                                                                                                                                                                                                                                                                                                                                                                                                       |
|------------------|-------------------------------------------------------------------------------------------------------------------------------------------------------------------------------------------------------------------------------------------------------------------------------------------------------------------------------------------------------------------------------------------------------|
| <b>Group</b>     | Search and Mark                                                                                                                                                                                                                                                                                                                                                                                       |
| <b>Syntax</b>    | SEARCH:SEARCH<x>:TRIGger:A:BUS:EUSB:ADDRESS:VALue <QString><br>SEARCH:SEARCH<x>:TRIGger:A:BUS:EUSB:ADDRESS:VALue?                                                                                                                                                                                                                                                                                     |
| <b>Arguments</b> | <QString> specifies the value in the specified valid format. The valid characters are 0, 1, and X (for binary, for hexadecimal, and symbolic).                                                                                                                                                                                                                                                        |
| <b>Examples</b>  | SEARCH:SEARCH1:TRIGger:A:BUS:EUSB:ADDRESS:VALue XXXXXXXX<br>specifies binary address value as XXXXXXXX within an eUSB frame to search on.<br><br>SEARCH:SEARCH1:TRIGger:A:BUS:EUSB:ADDRESS:VALue? might return<br>SEARCH:SEARCH1:TRIGger:A:BUS:EUSB:ADDRESS:VALue XXXXXXXX,<br>indicating the binary address value as XXXXXXXX in the currently specified field<br>within an eUSB frame to search on. |

## SEARCH:SEARCH<x>:TRIGger:A:BUS:EUSB:CONDition

This command sets or queries the search type for the specified search. The search number is specified by x.

|                   |                                                                                                                                                                                                                                                                                                                                                                                                                                                          |
|-------------------|----------------------------------------------------------------------------------------------------------------------------------------------------------------------------------------------------------------------------------------------------------------------------------------------------------------------------------------------------------------------------------------------------------------------------------------------------------|
| <b>Conditions</b> | Requires option SR-EUSB2                                                                                                                                                                                                                                                                                                                                                                                                                                 |
| <b>Group</b>      | Search and Mark                                                                                                                                                                                                                                                                                                                                                                                                                                          |
| <b>Syntax</b>     | SEARCH:SEARCH<x>:TRIGger:A:BUS:EUSB:CONDition {SYNC <br>HANDSHAKEPacket  SPECIALPacket  ERRor  TOKENPacket <br>DATAPacket  RESET  CONNect  CONTROLMESSAge  SUSPEND <br>DEVICEChirp  HOSTChirp  PORTReset  PORTConfiguration <br>RESUME  RAP  EOP}<br>SEARCH:SEARCH<x>:TRIGger:A:BUS:EUSB:CONDition?                                                                                                                                                      |
| <b>Arguments</b>  | SYNC specifies the search condition as Sync.<br><br>HANDSHAKEPacket specifies the search condition as Handshake Packet.<br><br>SPECIALPacket specifies the search condition as Special Packet.<br><br>ERRor specifies the search condition as Error.<br><br>TOKENPacket specifies the search condition as Token (Address) Packet.<br><br>DATAPacket specifies the search condition as Data Packet.<br><br>RESET specifies the search condition as Reset. |

CONNECT specifies the search condition as connect.  
 CONTROLMESSAGE specifies the search condition as Control Message.  
 SUSPEND specifies the search condition as Suspend.  
 DEVICEChirp specifies the search condition as Device chirp.  
 HOSTChirp specifies the search condition as Host Chirp.  
 PORTReset specifies the search condition as Port Reset.  
 PORTConfiguration specifies the search condition as Port Configuration.  
 RESUME specifies the search condition as Resume.  
 RAP specifies the search condition as Register Access Protocol.  
 EOP specifies the search condition as End of Packet.

**Examples** SEARCH:SEARCH1:TRIGGER:A:BUS:EUSB:CONDITION SYNC specifies sync as the field within a eUSB frame to search on.  
 SEARCH:SEARCH1:TRIGGER:A:BUS:EUSB:CONDITION? might return SEARCH:SEARCH1:TRIGGER:A:BUS:EUSB:CONDITION START, indicating that START is the currently specified field within a eUSB frame to search on.

## SEARCH:SEARCH<x>:TRIGGER:A:BUS:EUSB:DATA:HIVALUE

This command sets the high binary data value to be used when triggering on a eUSB bus signal. The trigger condition must be set to DATA. The search number is specified by x.

**Conditions** Requires option SR-EUSB2

**Group** Search and Mark

**Syntax** SEARCH:SEARCH<x>:TRIGGER:A:BUS:EUSB:DATA:HIVALUE <QString>  
 SEARCH:SEARCH<x>:TRIGGER:A:BUS:EUSB:DATA:HIVALUE?

**Arguments** <QString> specifies the value in the specified valid format. The valid characters are 0, 1, and X (for binary, for hexadecimal, and symbolic).

**Examples** SEARCH:SEARCH1:TRIGGER:A:BUS:EUSB:DATA:HIVALUE XXXXXXXX specifies high binary data value as XXXXXXXX within an eUSB frame to search on.

SEARCH:SEARCH1:TRIGger:A:BUS:EUSB:DATA:HIVALue? might return  
SEARCH:SEARCH1:TRIGger:A:BUS:EUSB:DATA:HIVALue XXXXXXXX,  
indicating the high binary data value as XXXXXXXX in the currently specified  
field within an eUSB frame to search on.

## SEARCH:SEARCH<x>:TRIGger:A:BUS:EUSB:DATA:OFFSet

This command sets the byte offset to look for a data pattern at, in bytes, to be used when triggering on a eUSB bus signal. The trigger condition must be set to DATA. The search number is specified by x.

|                   |                                                                                                                                                                                                                                                                                                                                                                 |
|-------------------|-----------------------------------------------------------------------------------------------------------------------------------------------------------------------------------------------------------------------------------------------------------------------------------------------------------------------------------------------------------------|
| <b>Conditions</b> | Requires option SR-EUSB2                                                                                                                                                                                                                                                                                                                                        |
| <b>Group</b>      | Search and Mark                                                                                                                                                                                                                                                                                                                                                 |
| <b>Syntax</b>     | SEARCH:SEARCH<x>:TRIGger:A:BUS:EUSB:DATA:OFFSet <NR1><br>SEARCH:SEARCH<x>:TRIGger:A:BUS:EUSB:DATA:OFFSet?                                                                                                                                                                                                                                                       |
| <b>Arguments</b>  | <NR1> specifies the byte offset. Default offset value is -1. The argument range is -1 to 1024                                                                                                                                                                                                                                                                   |
| <b>Examples</b>   | SEARCH:SEARCH1:TRIGger:A:BUS:EUSB:DATA:OFFSet -1 specifies the byte offset as -1 within an eUSB frame to search on.<br><br>SEARCH:SEARCH1:TRIGger:A:BUS:EUSB:DATA:OFFSet? might return<br>SEARCH:SEARCH1:TRIGger:A:BUS:EUSB:DATA:OFFSet XXXXXXXX,<br>indicating that the offset value is -1 in the currently specified field within an eUSB frame to search on. |

## SEARCH:SEARCH<x>:TRIGger:A:BUS:EUSB:DATA:QUALifier

This command sets the qualifier to be used when triggering on a eUSB bus signal. The trigger condition must be set to IDANDDATA OR DATA. The search number is specified by x.

|                   |                          |
|-------------------|--------------------------|
| <b>Conditions</b> | Requires option SR-EUSB2 |
| <b>Group</b>      | Search and Mark          |

**Syntax** SEARCH:SEARCH<x>:TRIGger:A:BUS:EUSB:DATA:QUALifier {Equal|UNEQUAL|LESSthan|MOREthan|LESSEQUAL|MOREEQUAL|Inrange|OUTrange}  
SEARCH:SEARCH<x>:TRIGger:A:BUS:EUSB:DATA:QUALifier?

**Arguments** Equal specifies the qualifier as Equal.  
UNEQUAL specifies the qualifier as Not Equal to.  
LESSthan specifies the qualifier as Less Than.  
MOREthan specifies the qualifier as More Than.  
LESSEQUAL specifies the qualifier as Less Than or Equal to.  
MOREEQUAL specifies the qualifier as More Than or Equal to.  
Inrange specifies the qualifier as Inside Range.  
OUTrange specifies the qualifier as Out of Range.

**Examples** SEARCH:SEARCH1:TRIGger:A:BUS:EUSB:DATA:QUALifier Equal specifies trigger value as Equal.  
SEARCH:SEARCH1:TRIGger:A:BUS:EUSB:DATA:QUALifier? might return SEARCH:SEARCH1:TRIGger:A:BUS:EUSB:DATA:QUALifier Equal, indicating the trigger value as Equal.

## SEARCH:SEARCH<x>:TRIGger:A:BUS:EUSB:DATA:SIZE

This command sets the length of the data string, in bytes, to be used when triggering on a eUSB bus signal. The trigger condition must be set to DATA. The search number is specified by x.

**Conditions** Requires option SR-EUSB2

**Group** Search and Mark

**Syntax** SEARCH:SEARCH<x>:TRIGger:A:BUS:EUSB:DATA:SIZE <NR1>  
SEARCH:SEARCH<x>:TRIGger:A:BUS:EUSB:DATA:SIZE?

**Arguments** <NR1> specifies the length of the data string. Default data size value is 1. The argument range is 1 to 16 bytes.

- Examples**     `SEARCH:SEARCH1:TRIGger:A:BUS:EUSB:DATA:SIZE 1` specifies the data size as 1 byte within an eUSB frame to search on.
- `SEARCH:SEARCH1:TRIGger:A:BUS:EUSB:DATA:SIZE?` might return `SEARCH:SEARCH1:TRIGger:A:BUS:EUSB:DATA:SIZE 1`, indicating that data size value is 1 in the currently specified field within an eUSB frame to search on.

## SEARCH:SEARCH<x>:TRIGger:A:BUS:EUSB:DATA:TYPE

This command specifies the eUSB trigger type to be valid on any, data0, data1, data2, or mdata condition. The search number is specified by x.

- Conditions**     Requires option SR-EUSB2
- Group**             Search and Mark
- Syntax**            `SEARCH:SEARCH<x>:TRIGger:A:BUS:EUSB:DATA:TYPE {ANY| DATA0| DATA1| DATA2| MDATA}`  
`SEARCH:SEARCH<x>:TRIGger:A:BUS:EUSB:DATA:TYPE?`
- Arguments**        ANY specifies either a DATA0 or DATA1 data packet type.  
DATA0 specifies a DATA0 data packet type.  
DATA1 specifies a DATA1 data packet type.  
DATA2 specifies a DATA2 data packet type when on HIGH speed.  
MDATA specifies a MDATA data packet type when on HIGH speed.
- Examples**         `SEARCH:SEARCH1:TRIGger:A:BUS:EUSB:DATA:TYPE DATA0` sets the data type as DATA0.
- `SEARCH:SEARCH1:TRIGger:A:BUS:EUSB:DATA:TYPE?` might return `SEARCH:SEARCH1:TRIGger:A:BUS:EUSB:DATA:TYPE DATA0`, indicating that the data type is DATA0.

## SEARCH:SEARCH<x>:TRIGger:A:BUS:EUSB:DATA:VALue

This command sets the binary data value to be used when triggering on a eUSB bus signal. The trigger condition must be set to DATA. The search number is specified by x.

- Conditions**        Requires option SR-EUSB2

|                  |                                                                                                                                                                                                                                                                                                                                                              |
|------------------|--------------------------------------------------------------------------------------------------------------------------------------------------------------------------------------------------------------------------------------------------------------------------------------------------------------------------------------------------------------|
| <b>Group</b>     | Search and Mark                                                                                                                                                                                                                                                                                                                                              |
| <b>Syntax</b>    | SEARCH:SEARCH<x>:TRIGger:A:BUS:EUSB:DATA:VALue <QString><br>SEARCH:SEARCH<x>:TRIGger:A:BUS:EUSB:DATA:VALue?                                                                                                                                                                                                                                                  |
| <b>Arguments</b> | <QString> specifies the value in the specified valid format. The valid characters are 0, 1, and X (for binary, for hexadecimal, and symbolic).                                                                                                                                                                                                               |
| <b>Examples</b>  | SEARCH:SEARCH1:TRIGger:A:BUS:EUSB:DATA:VALue XXXXXXX specifies the data value as XXXXXXX within an eUSB frame to search on.<br><br>SEARCH:SEARCH1:TRIGger:A:BUS:EUSB:DATA:VALue? might return SEARCH:SEARCH1:TRIGger:A:BUS:EUSB:DATA:VALue XXXXXXX, indicating the data value as XXXXXXX in the currently specified field within an eUSB frame to search on. |

## SEARCH:SEARCH<x>:TRIGger:A:BUS:EUSB:DATABITS:SIZE

This command sets the number of Sync bits, in bytes, to be used when triggering on a eUSB bus signal. The trigger condition must be set to SYNC. The search number is specified by x.

|                   |                                                                                                                                                                                                                                                                                                                                                     |
|-------------------|-----------------------------------------------------------------------------------------------------------------------------------------------------------------------------------------------------------------------------------------------------------------------------------------------------------------------------------------------------|
| <b>Conditions</b> | Requires option SR-EUSB2                                                                                                                                                                                                                                                                                                                            |
| <b>Group</b>      | Search and Mark                                                                                                                                                                                                                                                                                                                                     |
| <b>Syntax</b>     | SEARCH:SEARCH<x>:TRIGger:A:BUS:EUSB:DATABITS:SIZE <NR1><br>SEARCH:SEARCH<x>:TRIGger:A:BUS:EUSB:DATABITS:SIZE?                                                                                                                                                                                                                                       |
| <b>Arguments</b>  | <NR1> specifies the number of the Sync bits. The default Sync bits is 12. The argument range is 12 to 32 bits.                                                                                                                                                                                                                                      |
| <b>Examples</b>   | SEARCH:SEARCH1:TRIGger:A:BUS:EUSB:DATABITS:SIZE 12 specifies Sync bits as 12 within an eUSB frame to search on.<br><br>SEARCH:SEARCH1:TRIGger:A:BUS:EUSB:DATABITS:SIZE? might return :SEARCH:SEARCH1:TRIGger:A:BUS:EUSB:DATABITS:SIZE 12, indicating that Sync bits value is 12 in the currently specified field within an eUSB frame to search on. |



## SEARCH:SEARCH<x>:TRIGger:A:BUS:EUSB:ENDPoint:VALue

This command sets the endpoint binary value to be used when triggering on a eUSB bus signal. The trigger condition must be set to TOKEN. The search number is specified by x.

|                   |                                                                                                                                                                                                                                                                                                                                                                     |
|-------------------|---------------------------------------------------------------------------------------------------------------------------------------------------------------------------------------------------------------------------------------------------------------------------------------------------------------------------------------------------------------------|
| <b>Conditions</b> | Requires option SR-EUSB2                                                                                                                                                                                                                                                                                                                                            |
| <b>Group</b>      | Search and Mark                                                                                                                                                                                                                                                                                                                                                     |
| <b>Syntax</b>     | SEARCH:SEARCH<x>:TRIGger:A:BUS:EUSB:ENDPoint:VALue <QString><br>SEARCH:SEARCH<x>:TRIGger:A:BUS:EUSB:ENDPoint:VALue?                                                                                                                                                                                                                                                 |
| <b>Arguments</b>  | <QString> specifies the data value in the specified valid format. The valid characters are 0, 1, and X for binary format; A-F, 0-9 and X for hexadecimal format.                                                                                                                                                                                                    |
| <b>Examples</b>   | SEARCH:SEARCH1:TRIGger:A:BUS:EUSB:ENDPoint:VALue XXXX specifies end point value as XXXX within an eUSB frame to search on.<br><br>SEARCH:SEARCH1:TRIGger:A:BUS:EUSB:ENDPoint:VALue? might return SEARCH:SEARCH1:TRIGger:A:BUS:EUSB:ENDPoint:VALue XXXX, indicating that end point value as XXXX in the currently specified field within an eUSB frame to search on. |

## SEARCH:SEARCH<x>:TRIGger:A:BUS:EUSB:ERRType

This command specifies the eUSB trigger type to be valid on a PID, Token CRC5, Data CRC16, or Bit stuffing condition. The search number is specified by x.

|                   |                                                                                                                                       |
|-------------------|---------------------------------------------------------------------------------------------------------------------------------------|
| <b>Conditions</b> | Requires option SR-EUSB2                                                                                                              |
| <b>Group</b>      | Search and Mark                                                                                                                       |
| <b>Syntax</b>     | SEARCH:SEARCH<x>:TRIGger:A:BUS:EUSB:ERRType<br>{BITSTUFFing CRC5 CRC16 PID}<br>SEARCH:SEARCH<x>:TRIGger:A:BUS:EUSB:ERRType?           |
| <b>Arguments</b>  | BITSTUFFing specifies the error type as Bit Stuffing.<br><br>CRC5 specifies the error type as Token CRC5 (Cyclic Redundancy Check 5). |

CRC16 specifies the error type as Data CRC16 (Cyclic Redundancy Check 16).

PID specifies the error type as PID Check Bits.

**Examples**    `SEARCH:SEARCH1:TRIGger:A:BUS:EUSB:ERRType PID` specifies PID as the field within an eUSB frame to search on.

`SEARCH:SEARCH1:TRIGger:A:BUS:EUSB:ERRType?` might return `SEARCH:SEARCH1:TRIGger:A:BUS:EUSB:ERRType PID`, indicating that PID is the currently specified field within a eUSB frame to search on.

## **SEARCH:SEARCH<x>:TRIGger:A:BUS:EUSB:ENDSEARCh**

This command specifies eUSB Search EOP Bits to be On and Off. The search number is specified by x.

**Conditions**    Requires option SR-EUSB2

**Group**        Search and Mark

**Syntax**       `SEARCH:SEARCH<x>:TRIGger:A:BUS:EUSB:ENDSEARCH {OFF|ON}`  
`SEARCH:SEARCH<x>:TRIGger:A:BUS:EUSB:ENDSEARCH?`

**Arguments**    OFF specifies the EOP bits as OFF (for Low Speed and Full Speed).

ON specifies the EOP bits as ON (for High Speed).

**Examples**    `SEARCH:SEARCH1:TRIGger:A:BUS:EUSB:ENDSEARCH OFF` specifies the EOP bits as OFF.

`SEARCH:SEARCH1:TRIGger:A:BUS:EUSB:ENDSEARCH?` might return `:SEARCH:SEARCH1:TRIGger:A:BUS:EUSB:ENDSEARCH OFF`, indicating the EOP bits as off.

## **SEARCH:SEARCH<x>:TRIGger:A:BUS:EUSB:EOP:DATABITS:SIZE**

This command sets the number of EOP bits, in bytes, to be used when triggering on a eUSB bus signal. The trigger condition must be set to EOP. The search number is specified by x.

**Conditions**    Requires option SR-EUSB2

|                  |                                                                                                                                                                                                                                                                                                                                                           |
|------------------|-----------------------------------------------------------------------------------------------------------------------------------------------------------------------------------------------------------------------------------------------------------------------------------------------------------------------------------------------------------|
| <b>Group</b>     | Search and Mark                                                                                                                                                                                                                                                                                                                                           |
| <b>Syntax</b>    | SEARCH:SEARCH<x>:TRIGger:A:BUS:EUSB:EOP:DATABITS:SIZE <NR1><br>SEARCH:SEARCH<x>:TRIGger:A:BUS:EUSB:EOP:DATABITS:SIZE?                                                                                                                                                                                                                                     |
| <b>Arguments</b> | <NR1> specifies the number of EOP bits. The default EOP bits is 8. The argument range is 8 to 100 bits.                                                                                                                                                                                                                                                   |
| <b>Examples</b>  | SEARCH:SEARCH1:TRIGger:A:BUS:EUSB:EOP:DATABITS:SIZE 8 specifies EOP bits as 8 within an eUSB frame to search on.<br><br>SEARCH:SEARCH1:TRIGger:A:BUS:EUSB:EOP:DATABITS:SIZE? might return :SEARCH:SEARCH1:TRIGger:A:BUS:EUSB:EOP:DATABITS:SIZE 8, indicating that EOP bits value is 8 in the currently specified field within an eUSB frame to search on. |

## SEARCH:SEARCH<x>:TRIGger:A:BUS:EUSB:EOP:QUALifier

This command sets the qualifier to be used when triggering on a eUSB bus signal. The trigger condition must be set to EOP Bits. The search number is specified by x.

|                   |                                                                                                                                                                                                                                                                                                                                                                                   |
|-------------------|-----------------------------------------------------------------------------------------------------------------------------------------------------------------------------------------------------------------------------------------------------------------------------------------------------------------------------------------------------------------------------------|
| <b>Conditions</b> | Requires option SR-EUSB2                                                                                                                                                                                                                                                                                                                                                          |
| <b>Group</b>      | Search and Mark                                                                                                                                                                                                                                                                                                                                                                   |
| <b>Syntax</b>     | SEARCH:SEARCH<x>:TRIGger:A:BUS:EUSB:EOP:QUALifier {Equal UNEQUAL LESSthan MOREthan LESSEQUAL MOREEQUAL INrange OUTrange}<br>SEARCH:SEARCH<x>:TRIGger:A:BUS:EUSB:EOP:QUALifier?                                                                                                                                                                                                    |
| <b>Arguments</b>  | EQUAL specifies the qualifier as Equal.<br>UNEQUAL specifies the qualifier as Not Equal to.<br>LESSthan specifies the qualifier as Less Than.<br>MOREthan specifies the qualifier as More Than.<br>LESSEQUAL specifies the qualifier as Less Than or Equal to.<br>MOREEQUAL specifies the qualifier as More Than or Equal to.<br>INrange specifies the qualifier as Inside Range. |

OUTrange specifies the qualifier as Out of Range.

**Examples** SEARCH:SEARCH1:TRIGger:A:BUS:EUSB:EOP:QUALifier Equal specifies the trigger value as Equal.

SEARCH:SEARCH1:TRIGger:A:BUS:EUSB:EOP:QUALifier? might return :SEARCH:SEARCH1:TRIGger:A:BUS:EUSB:EOP:QUALifier Equal, indicating the trigger value is Equal.

## SEARCH:SEARCH<x>:TRIGger:A:BUS:EUSB:EOPBITS:MAX:SIZE

This command sets the number of EOP bits to be used when triggering on a eUSB bus signal. The trigger condition must be set to EOP. The search number is specified by x.

**Conditions** Requires option SR-EUSB2

**Group** Search and Mark

**Syntax** SEARCH:SEARCH<x>:TRIGger:A:BUS:EUSB:EOPBITS:MAX:SIZE <NR1>  
SEARCH:SEARCH<x>:TRIGger:A:BUS:EUSB:EOPBITS:MAX:SIZE?

**Arguments** <NR1> specifies the number of EOP bits. The default maximum EOP bits is 100. The argument range is 9 to 100 bits.

**Examples** SEARCH:SEARCH1:TRIGger:A:BUS:EUSB:EOPBITS:MAX:SIZE 100 specifies maximum EOP bits as 100 within an eUSB frame to search on.

SEARCH:SEARCH1:TRIGger:A:BUS:EUSB:EOPBITS:MAX:SIZE? might return :SEARCH:SEARCH1:TRIGger:A:BUS:EUSB:EOPBITS:MAX:SIZE 100, indicating that maximum EOP bits value is 100 in the currently specified field within an eUSB frame to search on.

## SEARCH:SEARCH<x>:TRIGger:A:BUS:EUSB:EOPBITS:MIN:SIZE

This command sets the number of EOP bits to be used when triggering on a eUSB bus signal. The trigger condition must be set to EOP. The search number is specified by x.

**Conditions** Requires option SR-EUSB2

|                  |                                                                                                                                                                                                                                                                                                                                                                        |
|------------------|------------------------------------------------------------------------------------------------------------------------------------------------------------------------------------------------------------------------------------------------------------------------------------------------------------------------------------------------------------------------|
| <b>Group</b>     | Search and Mark                                                                                                                                                                                                                                                                                                                                                        |
| <b>Syntax</b>    | SEARCH:SEARCH<x>:TRIGger:A:BUS:EUSB:EOPBITS:MIN:SIZE <NR1><br>SEARCH:SEARCH<x>:TRIGger:A:BUS:EUSB:EOPBITS:MIN:SIZE?                                                                                                                                                                                                                                                    |
| <b>Arguments</b> | <NR1> specifies the number of EOP bits. The default minimum EOP bits is 8. The argument range is 8 to 99 bits.                                                                                                                                                                                                                                                         |
| <b>Examples</b>  | SEARCH:SEARCH1:TRIGger:A:BUS:EUSB:EOPBITS:MIN:SIZE 8 specifies minimum EOP bits as 8 within an eUSB frame to search on.<br><br>SEARCH:SEARCH1:TRIGger:A:BUS:EUSB:EOPBITS:MIN:SIZE? might return :SEARCH:SEARCH1:TRIGger:A:BUS:EUSB:EOPBITS:MIN:SIZE 8, indicating that minimum EOP bits value is 8 in the currently specified field within an eUSB frame to search on. |

## SEARCH:SEARCH<x>:TRIGger:A:BUS:EUSB:HANDSHAKEType

This command specifies the eUSB trigger type to be valid on any, ack, nak, stall, or nyet condition. The search number is specified by x.

|                   |                                                                                                                                                                                                                                                                                                                                                                                        |
|-------------------|----------------------------------------------------------------------------------------------------------------------------------------------------------------------------------------------------------------------------------------------------------------------------------------------------------------------------------------------------------------------------------------|
| <b>Conditions</b> | Requires option SR-EUSB2                                                                                                                                                                                                                                                                                                                                                               |
| <b>Group</b>      | Search and Mark                                                                                                                                                                                                                                                                                                                                                                        |
| <b>Syntax</b>     | SEARCH:SEARCH<x>:TRIGger:A:BUS:EUSB:HANDSHAKEType<br>{ANY ACK NAK STALL NYET}<br>SEARCH:SEARCH<x>:TRIGger:A:BUS:EUSB:HANDSHAKEType?                                                                                                                                                                                                                                                    |
| <b>Arguments</b>  | ANY specifies the handshake type as Any (0010).<br><br>ACK specifies the handshake type as Acknowledgement (positive) (XX10).<br><br>NAK specifies the handshake type as Negative Acknowledgment (1010).<br><br>STALL specifies the error type as PID Check Bits.<br><br>NYET specifies the handshake type as Stall (endpoint is halted or control pipe request not supported) (1110). |
| <b>Examples</b>   | SEARCH:SEARCH1:TRIGger:A:BUS:EUSB:HANDSHAKEType ANY specifies any as the field within an eUSB frame to search on.                                                                                                                                                                                                                                                                      |

SEARCH:SEARCH1:TRIGger:A:BUS:EUSB:HANDSHAKetype? might return SEARCH:SEARCH1:TRIGger:A:BUS:EUSB:HANDSHAKetype ANY, indicating that any is the currently specified field within a eUSB frame to search on.

## SEARCH:SEARCH<x>:TRIGger:A:BUS:EUSB:RAP:ADDress:VALue

This command sets the binary Register Access Protocol address value to be used when triggering on a eUSB bus signal. The trigger condition must be set to TOKEN. The search number is specified by x.

|                   |                                                                                                                                                                                                                                                                                                                                                                                  |
|-------------------|----------------------------------------------------------------------------------------------------------------------------------------------------------------------------------------------------------------------------------------------------------------------------------------------------------------------------------------------------------------------------------|
| <b>Conditions</b> | Requires option SR-EUSB2                                                                                                                                                                                                                                                                                                                                                         |
| <b>Group</b>      | Search and Mark                                                                                                                                                                                                                                                                                                                                                                  |
| <b>Syntax</b>     | SEARCH:SEARCH<x>:TRIGger:A:BUS:EUSB:RAP:ADDress:VALue<br><QString><br>SEARCH:SEARCH<x>:TRIGger:A:BUS:EUSB:RAP:ADDress:VALue?                                                                                                                                                                                                                                                     |
| <b>Arguments</b>  | <QString> specifies the value in the specified valid format. The valid characters are 0, 1, and X for binary; for hexadecimal; and symbolic.                                                                                                                                                                                                                                     |
| <b>Examples</b>   | SEARCH:SEARCH1:TRIGger:A:BUS:EUSB:RAP:ADDress:VALue XXXXXX specifies RAP address as XXXXXX within an eUSB frame to search on.<br><br>SEARCH:SEARCH1:TRIGger:A:BUS:EUSB:RAP:ADDress:VALue? might return :SEARCH:SEARCH1:TRIGger:A:BUS:EUSB:RAP:ADDress:VALue XXXXXX, indicating that RAP address value XXXXXX is the currently specified field within an eUSB frame to search on. |

## SEARCH:SEARCH<x>:TRIGger:A:BUS:EUSB:RAP:COMManD

This command specifies the eUSB Register Access Protocol search option. The search number is specified by x.

|                   |                                                                               |
|-------------------|-------------------------------------------------------------------------------|
| <b>Conditions</b> | Requires option SR-EUSB2                                                      |
| <b>Group</b>      | Search and Mark                                                               |
| <b>Syntax</b>     | SEARCH:SEARCH<x>:TRIGger:A:BUS:EUSB:RAP:COMManD<br>{ALL WRITE READ CLEAR SET} |

SEARCH:SEARCH<x>:TRIGger:A:BUS:EUSB:RAP:COMMANd?

**Arguments** ALL specifies the RAP command as All.  
 WRITe specifies the RAP command as Write.  
 READ specifies the RAP command as Read.  
 CLEAR specifies the RAP command as Clear.  
 SET specifies the RAP command as Set.

**Examples** SEARCH:SEARCH1:TRIGger:A:BUS:EUSB:RAP:COMMANd ALL specifies the command as the field within an eUSB frame to search on.  
 SEARCH:SEARCH1:TRIGger:A:BUS:EUSB:RAP:COMMANd? might return :SEARCH:SEARCH1:TRIGger:A:BUS:EUSB:RAP:COMMANd ALL, indicating that command type is ALL.

## SEARCH:SEARCH<x>:TRIGger:A:BUS:EUSB:RAP:DATA:VALue

This command sets the binary Register Access Protocol data value to be used when triggering on a eUSB bus signal. The trigger condition must be set to TOKEN. The search number is specified by x.

**Conditions** Requires option SR-EUSB2

**Group** Search and Mark

**Syntax** SEARCH:SEARCH<x>:TRIGger:A:BUS:EUSB:RAP:DATA:VALue <QString>  
 SEARCH:SEARCH<x>:TRIGger:A:BUS:EUSB:RAP:DATA:VALue?

**Arguments** <QString> specifies the value in the specified valid format. The valid characters are 0, 1, and X for binary; for hexadecimal; and symbolic.

**Examples** SEARCH:SEARCH1:TRIGger:A:BUS:EUSB:RAP:DATA:VALue XXXXXXXX specifies RAP data value as XXXXXXXX within an eUSB frame to search on.  
 SEARCH:SEARCH1:TRIGger:A:BUS:EUSB:RAP:DATA:VALue? might return :SEARCH:SEARCH1:TRIGger:A:BUS:EUSB:RAP:DATA:VALue XXXXXXXX, indicating that RAP data value XXXXXXXX is the currently specified field within an eUSB frame to search on.

## SEARCH:SEARCH<x>:TRIGger:A:BUS:EUSB:RAP:OPTion

This command specifies the eUSB Register Access Protocol search option. The search number is specified by x.

**Conditions** Requires option SR-EUSB2

**Group** Search and Mark

**Syntax** SEARCH:SEARCH<x>:TRIGger:A:BUS:EUSB:RAP:OPTion  
{COMMAND|ADDRESS|RAPDATA}  
SEARCH:SEARCH<x>:TRIGger:A:BUS:EUSB:RAP:OPTion?

**Arguments** COMMAND specifies the RAP option as Command.  
ADDRESS specifies the RAP option as Address.  
RAPDATA specifies the RAP option as RapData.

**Examples** SEARCH:SEARCH1:TRIGger:A:BUS:EUSB:RAP:OPTion COMMAND specifies the RAP option as the field within an eUSB frame to search on.  
SEARCH:SEARCH1:TRIGger:A:BUS:EUSB:RAP:OPTion? might return :SEARCH:SEARCH1:TRIGger:A:BUS:EUSB:RAP:OPTion COMMAND, indicating that RAP option is COMMAND.

## SEARCH:SEARCH<x>:TRIGger:A:BUS:EUSB:SOFFRAMENUMber

This command sets the binary frame number to be used when triggering on a eUSB bus signal. The trigger condition must be set to TOKEN. The search number is specified by x.

**Conditions** Requires option SR-EUSB2

**Group** Search and Mark

**Syntax** SEARCH:SEARCH<x>:TRIGger:A:BUS:EUSB:SOFFRAMENUMber <QString>  
SEARCH:SEARCH<x>:TRIGger:A:BUS:EUSB:SOFFRAMENUMber?

**Arguments** <QString> specifies the binary frame number within the range 000 0000 0000 to 111 1111 1111 (000 hex to 7FF hex).



**Examples**     `SEARCH:SEARCH1:TRIGger:A:BUS:EUSB:SOFFRAMENUMber XXXXXXXXXXXX` specifies frame number as `XXXXXXXXXXXX` within an eUSB frame to search on.

`SEARCH:SEARCH1:TRIGger:A:BUS:EUSB:SOFFRAMENUMber?` might return `SEARCH:SEARCH1:TRIGger:A:BUS:EUSB:SOFFRAMENUMber XXXXXXXXXXXX`, indicating that `XXXXXXXXXXXX` in the currently specified field within an eUSB frame to search on.

## SEARCH:SEARCH<x>:TRIGger:A:BUS:EUSB:SPECIALType

This command specifies the eUSB trigger type to be valid on any, err, split, ping, or reserved condition. The search number is specified by x.

**Conditions**     Requires option SR-EUSB2

**Group**            Search and Mark

**Syntax**           `SEARCH:SEARCH<x>:TRIGger:A:BUS:EUSB:SPECIALType {ANY|PREAmble|ERROR|SPLit|PING|RESERVED}`  
`SEARCH:SEARCH<x>:TRIGger:A:BUS:EUSB:SPECIALType?`

**Arguments**      `ANY` specifies the PID value as Any (XX00).  
`PREAmble` specifies the PID value as PRE (1100).  
`ERROR` specifies the PID value as ERR (1100).  
`SPLit` specifies the PID value as Split (1000).  
`PING` specifies the PID value as PING (0100).  
`RESERVED` specifies the PID value as Reserved (0000).

**Examples**        `SEARCH:SEARCH1:TRIGger:A:BUS:EUSB:SPECIALType ANY` specifies the special type as any.

`SEARCH:SEARCH1:TRIGger:A:BUS:EUSB:SPECIALType?` might return `SEARCH:SEARCH1:TRIGger:A:BUS:EUSB:SPECIALType ANY`, indicating the special type is any.

## SEARCH:SEARCH<x>:TRIGger:A:BUS:EUSB:SPLit:ET:VALue

This command specifies the eUSB trigger type endpoint condition. The search number is specified by x.

|                   |                                                                                                                                                                                                                                                                                                                       |
|-------------------|-----------------------------------------------------------------------------------------------------------------------------------------------------------------------------------------------------------------------------------------------------------------------------------------------------------------------|
| <b>Conditions</b> | Requires option SR-EUSB2                                                                                                                                                                                                                                                                                              |
| <b>Group</b>      | Search and Mark                                                                                                                                                                                                                                                                                                       |
| <b>Syntax</b>     | SEARCH:SEARCH<x>:TRIGger:A:BUS:EUSB:SPLit:ET:VALue {NOCARE <br>CONTROl  ISOchronous  BULK  INTERRUPT}<br>SEARCH:SEARCH<x>:TRIGger:A:BUS:EUSB:SPLit:ET:VALue?                                                                                                                                                          |
| <b>Arguments</b>  | NOCARE specifies the Endpoint Type value as Don't Care.<br>CONTROl specifies the Endpoint Type value as Control (00).<br>ISOchronous specifies the Endpoint Type value as Isochronous (01).<br>BULK specifies the Endpoint Type value as Bulk (10).<br>INTERRUPT specifies the Endpoint Type value as Interrupt (11). |
| <b>Examples</b>   | SEARCH:SEARCH1:TRIGger:A:BUS:EUSB:SPLit:ET:VALue CONTROl sets the endpoint condition as Control.<br><br>SEARCH:SEARCH1:TRIGger:A:BUS:EUSB:SPLit:ET:VALue? might return SEARCH:SEARCH1:TRIGger:A:BUS:EUSB:SPLit:ET:VALue CONTROl, indicating the endpoint condition is Control.                                        |

## SEARCH:SEARCH<x>:TRIGger:A:BUS:EUSB:SPLit:HUB:VALue

This command sets the binary hub address value to be used when triggering on a eUSB bus signal. The trigger condition must be set to Special with packet type SPLIT. The search number is specified by x.

|                   |                                                                                                                                                |
|-------------------|------------------------------------------------------------------------------------------------------------------------------------------------|
| <b>Conditions</b> | Requires option SR-EUSB2                                                                                                                       |
| <b>Group</b>      | Search and Mark                                                                                                                                |
| <b>Syntax</b>     | SEARCH:SEARCH<x>:TRIGger:A:BUS:EUSB:SPLit:HUB:VALue<br><QString><br>SEARCH:SEARCH<x>:TRIGger:A:BUS:EUSB:SPLit:HUB:VALue?                       |
| <b>Arguments</b>  | <QString> specifies the value in the specified valid format. The valid characters are 0, 1, and X (for binary, for hexadecimal, and symbolic). |

- Examples**     `SEARCH:SEARCH1:TRIGger:A:BUS:EUSB:SPLit:HUB:VALue XXXXXXX` specifies hub address value as XXXXXXX within an eUSB frame to search on.
- `SEARCH:SEARCH1:TRIGger:A:BUS:EUSB:SPLit:HUB:VALue?` might return `SEARCH:SEARCH1:TRIGger:A:BUS:EUSB:SPLit:HUB:VALue XXXXXXX`, indicating that hub address value is XXXXXXX in the currently specified field within an eUSB frame to search on.

## SEARCH:SEARCH<x>:TRIGger:A:BUS:EUSB:SPLit:PORT:VALue

This command sets the binary port address value to be used when triggering on a eUSB bus signal. The trigger condition must be set to Special with a packet type SPLIT. The search number is specified by x.

- Conditions**     Requires option SR-EUSB2
- Group**            Search and Mark
- Syntax**            `SEARCH:SEARCH<x>:TRIGger:A:BUS:EUSB:SPLit:PORT:VALue <QString>`  
`SEARCH:SEARCH<x>:TRIGger:A:BUS:EUSB:SPLit:PORT:VALue?`
- Arguments**        `<QString>` specifies the value in the specified valid format. The valid characters are 0, 1, and X (for binary, for hexadecimal, and symbolic).
- Examples**         `SEARCH:SEARCH1:TRIGger:A:BUS:EUSB:SPLit:PORT:VALue XXXXXXX` specifies port address as XXXXXXX within an eUSB frame to search on.
- `SEARCH:SEARCH1:TRIGger:A:BUS:EUSB:SPLit:PORT:VALue?` might return `SEARCH:SEARCH1:TRIGger:A:BUS:EUSB:SPLit:PORT:VALue XXXXXXX`, indicating that port address value is XXXXXXX in the currently specified field within an eUSB frame to search on.

## SEARCH:SEARCH<x>:TRIGger:A:BUS:EUSB:SPLit:SC:VALue

This command specifies the eUSB trigger type start/complete condition. The search number is specified by x.

- Conditions**        Requires option SR-EUSB2
- Group**            Search and Mark

**Syntax** SEARCH:SEARCH<x>:TRIGger:A:BUS:EUSB:SPLit:SC:VALue {NOCARE|SSPLIT|CSPLIT}  
SEARCH:SEARCH<x>:TRIGger:A:BUS:EUSB:SPLit:SC:VALue?

**Arguments** NOCARE sets the trigger on either the start or complete phase of the split transaction.  
SSPLIT sets the trigger on the start phase of the split transaction.  
CSPLIT sets the trigger on the complete phase of the split transaction.

**Examples** SEARCH:SEARCH1:TRIGger:A:BUS:EUSB:SPLit:SC:VALue NOCARE sets the start/complete conditon as nocare.  
SEARCH:SEARCH1:TRIGger:A:BUS:EUSB:SPLit:SC:VALue? might return SEARCH:SEARCH1:TRIGger:A:BUS:EUSB:SPLit:SC:VALue NOCARE, indicating that the start/complete condition is nocare.

## SEARCH:SEARCH<x>:TRIGger:A:BUS:EUSB:SPLit:SE:VALue

This command specifies the eUSB trigger type start/complete condition. The search number is specified by x.

**Conditions** Requires option SR-EUSB2

**Group** Search and Mark

**Syntax** SEARCH:SEARCH<x>:TRIGger:A:BUS:EUSB:SPLit:SE:VALue {NOCARE|FULLSPEED|LOWSPEED|ISOSTART|ISOMID|ISOEND|ISOALL}  
SEARCH:SEARCH<x>:TRIGger:A:BUS:EUSB:SPLit:SE:VALue?

**Arguments** NOCARE sets the trigger on any combination of S and E bits.  
FULLSPEED sets the trigger on S bit = 0 and E bit = 0.  
LOWSPEED sets the trigger on S bit = 1 and E bit = 0.  
ISOSTART sets the trigger on S bit = 1, E bit = 0.  
ISOMID specifies Isochronous Data is Middle (00) Start/End bit value.  
ISOEND specifies Isochronous Data is End (01) Start/End bit value.  
ISOALL specifies Isochronous Data is All (11) Start/End bit value.

**Examples**     `SEARCH:SEARCH1:TRIGGER:A:BUS:EUSB:SPLIT:SE:VALUE FULLSPEED`  
 sets the start/complete condition as fullspeed.

`SEARCH:SEARCH1:TRIGGER:A:BUS:EUSB:SPLIT:SE:VALUE?` might return  
`SEARCH:SEARCH1:TRIGGER:A:BUS:EUSB:SPLIT:SE:VALUE FULLSPEED`,  
 indicating that the start/complete condition is fullspeed.

## SEARCH:SEARCH<x>:TRIGGER:A:BUS:EUSB:SYNC:QUALIFIER

This command sets the qualifier to be used when triggering on a eUSB bus signal. The trigger condition must be set to Sync Bits. The search number is specified by x.

**Conditions**     Requires option SR-EUSB2

**Group**            Search and Mark

**Syntax**           `SEARCH:SEARCH<x>:TRIGGER:A:BUS:EUSB:SYNC:QUALIFIER {EQUAL|UNEQUAL|LESSTHAN|MORETHAN|LESSEQUAL|MOREEQUAL|INRANGE|OUTRANGE}`  
`SEARCH:SEARCH<x>:TRIGGER:A:BUS:EUSB:SYNC:QUALIFIER?`

**Arguments**      `EQUAL` specifies the qualifier as Equal.

`UNEQUAL` specifies the qualifier as Not Equal to.

`LESSTHAN` specifies the qualifier as Less Than.

`MORETHAN` specifies the qualifier as More Than.

`LESSEQUAL` specifies the qualifier as Less Than or Equal to.

`MOREEQUAL` specifies the qualifier as More Than or Equal to.

`INRANGE` specifies the qualifier as Inside Range.

`OUTRANGE` specifies the qualifier as Out of Range.

**Examples**        `SEARCH:SEARCH1:TRIGGER:A:BUS:EUSB:SYNC:QUALIFIER EQUAL`  
 specifies the trigger value as Equal.

`SEARCH:SEARCH1:TRIGGER:A:BUS:EUSB:SYNC:QUALIFIER?` might return  
`:SEARCH:SEARCH1:TRIGGER:A:BUS:EUSB:SYNC:QUALIFIER EQUAL`,  
 indicating the trigger value is Equal.

## SEARCH:SEARCH<x>:TRIGger:A:BUS:EUSB:SYNCBITS:MAX:SIZE

This command sets the number of sync bits, to be used when triggering on a eUSB bus signal. The trigger condition must be set to SYNC. The search number is specified by x.

|                   |                                                                                                                                                                                                                                                                                                                                                                                             |
|-------------------|---------------------------------------------------------------------------------------------------------------------------------------------------------------------------------------------------------------------------------------------------------------------------------------------------------------------------------------------------------------------------------------------|
| <b>Conditions</b> | Requires option SR-EUSB2                                                                                                                                                                                                                                                                                                                                                                    |
| <b>Group</b>      | Search and Mark                                                                                                                                                                                                                                                                                                                                                                             |
| <b>Syntax</b>     | SEARCH:SEARCH<x>:TRIGger:A:BUS:EUSB:SYNCBITS:MAX:SIZE <NR1><br>SEARCH:SEARCH<x>:TRIGger:A:BUS:EUSB:SYNCBITS:MAX:SIZE?                                                                                                                                                                                                                                                                       |
| <b>Arguments</b>  | <NR1> specifies the number of sync bits. The default maximum Sync bits is 32. The argument range is 13 to 32 bits.                                                                                                                                                                                                                                                                          |
| <b>Examples</b>   | SEARCH:SEARCH1:TRIGger:A:BUS:EUSB:SYNCBITS:MAX:SIZE 32<br>specifies minimum Sync bits as 32 within an eUSB frame to search on.<br><br>SEARCH:SEARCH1:TRIGger:A:BUS:EUSB:SYNCBITS:MAX:SIZE? might<br>return :SEARCH:SEARCH1:TRIGger:A:BUS:EUSB:SYNCBITS:MAX:SIZE 32,<br>indicating that minimum Sync bits value is 32 in the currently specified field<br>within an eUSB frame to search on. |

## SEARCH:SEARCH<x>:TRIGger:A:BUS:EUSB:SYNCBITS:MIN:SIZE

This command sets the number of sync bits, in bits, to be used when triggering on a eUSB bus signal. The trigger condition must be set to SYNC. The search number is specified by x.

|                   |                                                                                                                       |
|-------------------|-----------------------------------------------------------------------------------------------------------------------|
| <b>Conditions</b> | Requires option SR-EUSB2                                                                                              |
| <b>Group</b>      | Search and Mark                                                                                                       |
| <b>Syntax</b>     | SEARCH:SEARCH<x>:TRIGger:A:BUS:EUSB:SYNCBITS:MIN:SIZE <NR1><br>SEARCH:SEARCH<x>:TRIGger:A:BUS:EUSB:SYNCBITS:MIN:SIZE? |
| <b>Arguments</b>  | <NR1> specifies the number of sync bits. The default minimum Sync bits is 12. The argument range is 12 to 31 bits.    |

- Examples**     `SEARCH:SEARCH1:TRIGger:A:BUS:EUSB:SYNcBITS:MIN:SIZE 12` specifies minimum Sync bits as 12 within an eUSB frame to search on.
- `SEARCH:SEARCH1:TRIGger:A:BUS:EUSB:SYNcBITS:MIN:SIZE?` might return `:SEARCH:SEARCH1:TRIGger:A:BUS:EUSB:SYNcBITS:MIN:SIZE 12`, indicating that minimum Sync bits value is 12 in the currently specified field within an eUSB frame to search on.

## **SEARCH:SEARCH<x>:TRIGger:A:BUS:EUSB:SYNcSEARCh**

This command specifies eUSB Search Sync Bits to be On and Off. The search number is specified by x.

- Conditions**     Requires option SR-EUSB2
- Group**     Search and Mark
- Syntax**     `SEARCH:SEARCH<x>:TRIGger:A:BUS:EUSB:SYNcSEARCh {OFF|ON}`  
`SEARCH:SEARCH<x>:TRIGger:A:BUS:EUSB:SYNcSEARCh?`
- Arguments**     OFF specifies the Sync bits as OFF (for Low Speed and Full Speed).  
ON specifies the Sync bits as ON (for High Speed).
- Examples**     `SEARCH:SEARCH1:TRIGger:A:BUS:EUSB:SYNcSEARCh OFF` specifies the SYNC bits as off.
- `SEARCH:SEARCH1:TRIGger:A:BUS:EUSB:SYNcSEARCh?` might return `:SEARCH:SEARCH1:TRIGger:A:BUS:EUSB:SYNcSEARCh OFF`, indicating the SYNC bits is off.

## **SEARCH:SEARCH<x>:TRIGger:A:BUS:EUSB:TOKENType**

This command specifies the eUSB trigger type to be valid on any, sof, out, in, or setup condition. The search number is specified by x.

- Conditions**     Requires option SR-EUSB2
- Group**     Search and Mark

**Syntax** SEARCH:SEARCH<x>:TRIGger:A:BUS:EUSB:TOKENType  
{ANY|SOF|OUT|IN|SETUP}  
SEARCH:SEARCH<x>:TRIGger:A:BUS:EUSB:TOKENType?

**Arguments** ANY specifies the token type as Any (XX01).  
SOF specifies the token type as Start Of Frame (0101).  
OUT specifies the token type as OUT (0001).  
IN specifies the token type as IN (1001).  
SETUP specifies the token type as SETUP (1101).

**Examples** SEARCH:SEARCH1:TRIGger:A:BUS:EUSB:TOKENType SETUP specifies the token type Setup as the field within an eUSB frame to search on.  
SEARCH:SEARCH1:TRIGger:A:BUS:EUSB:TOKENType? might return SEARCH:SEARCH1:TRIGger:A:BUS:EUSB:TOKENType SETUP, indicating that the token type is Setup.

## SEARCH:SEARCH<x>:TRIGger:A:BUS:FLEXRAY:CONDition

This command sets or queries the FlexRay bus search condition. The search number is specified by x.

**Conditions** Requires option 5-SRAUTO or SUP5-SRAUTO Triggering and Analysis application.

**Group** Search and Mark

**Syntax** SEARCH:SEARCH<x>:TRIGger:A:BUS:FLEXRAY:CONDition {SOF|FRAMEType|IDentifier|CYCLEcount|HEADER|DATA|IDANDDATA|EOF|ERROR}  
SEARCH:SEARCH<x>:TRIGger:A:BUS:FLEXRAY:CONDition?

**Arguments** SOF sets the trigger condition to start of frame.  
FRAMEType sets the trigger condition to frame type.  
IDentifier sets the trigger condition to identifier.  
CYCLEcount sets the trigger condition to cycle count.  
HEADER sets the trigger condition to header.  
DATA sets the trigger condition to data.



IDANDDATA sets the trigger condition to ID and data.

EOF sets the trigger condition to end of frame.

ERROR sets the trigger condition to error.

**Examples** SEARCH:SEARCH1:TRIGger:A:BUS:FLEXRAY:CONDition SOF sets the trigger condition to start of frame.

SEARCH:SEARCH1:TRIGger:A:BUS:FLEXRAY:CONDition? might return SEARCH:SEARCH1:TRIGGER:A:BUS:FLEXRAY:CONDITION SOF, indicating the FlexRay trigger condition is start of frame.

## SEARCH:SEARCH<x>:TRIGger:A:BUS:FLEXRAY:CYCLEcount:HIVALue

This command sets or queries the heigh value when searching on a FlexRay bus cycle count field. The search number is specified by x. The search condition must be set to CYCLEcount.

**Conditions** Requires option 5-SRAUTO or SUP5-SRAUTO Triggering and Analysis application.

**Group** Search and Mark

**Syntax** SEARCH:SEARCH<x>:TRIGger:A:BUS:FLEXRAY:CYCLEcount:HIVALue <QString>  
SEARCH:SEARCH<x>:TRIGger:A:BUS:FLEXRAY:CYCLEcount:HIVALue?

**Arguments** <QString> specifies the cycle count value.

**Examples** SEARCH:SEARCH1:TRIGger:A:BUS:FLEXRAY:CYCLEcount:HIVALue "1010" sets the cycle count value to XX1010.

SEARCH:SEARCH1:TRIGger:A:BUS:FLEXRAY:CYCLEcount:HIVALue? might return

SEARCH:SEARCH1:TRIGGER:A:BUS:FLEXRAY:CYCLECOUNT:HIVALUE "XXXXXX", indicating the cycle count value is don't care, and it will trigger on any cycle count.

## SEARCH:SEARCH<x>:TRIGger:A:BUS:FLEXRAY:CYCLEcount:QUALifier

This command sets or queries the qualifier to be used when searching on a FlexRay bus search cycle count field. The search number is specified by x. The search condition must be set to CYCLEcount.

|                   |                                                                                                                                                                                                                                                                                                                                                                                                         |
|-------------------|---------------------------------------------------------------------------------------------------------------------------------------------------------------------------------------------------------------------------------------------------------------------------------------------------------------------------------------------------------------------------------------------------------|
| <b>Conditions</b> | Requires option 5-SRAUTO or SUP5-SRAUTO Triggering and Analysis application.                                                                                                                                                                                                                                                                                                                            |
| <b>Group</b>      | Search and Mark                                                                                                                                                                                                                                                                                                                                                                                         |
| <b>Syntax</b>     | SEARCH:SEARCH<x>:TRIGger:A:BUS:FLEXRAY:CYCLEcount:QUALifier<br>{EQUAL   LESSEQUAL   MOREEQUAL   UNEQUAL   LESSTHAN   MORETHAN  <br>INRANGE   OUTRANGE}<br>SEARCH:SEARCH<x>:TRIGger:A:BUS:FLEXRAY:CYCLEcount:QUALifier?                                                                                                                                                                                  |
| <b>Arguments</b>  | EQUAL specifies the qualifier as equal.<br>LESSEQUAL specifies the qualifier as less equal.<br>MOREEQUAL specifies the qualifier as more equal.<br>UNEQUAL specifies the qualifier as unequal.<br>LESSTHAN specifies the qualifier as less than.<br>MORETHAN specifies the qualifier as more than.<br>INRANGE specifies the qualifier as in range.<br>OUTRANGE specifies the qualifier as out of range. |
| <b>Examples</b>   | SEARCH:SEARCH1:TRIGger:A:BUS:FLEXRAY:CYCLEcount:QUALifier<br>LESSTHAN sets the cycle count qualifier to less than.<br><br>SEARCH:SEARCH1:TRIGger:A:BUS:FLEXRAY:CYCLEcount:QUALifier?<br>might return<br>SEARCH:SEARCH1:TRIGGER:A:BUS:FLEXRAY:CYCLECOUNT:QUALIFIER<br>EQUAL, indicating the cycle count qualifier is set to equal.                                                                       |

## SEARCH:SEARCH<x>:TRIGger:A:BUS:FLEXRAY:CYCLEcount:VALue

This command sets or queries the low value when searching on a FlexRay bus cycle count field. The search number is specified by x. The search condition must be set to CYCLEcount.

|                   |                                                                                                                                                                                                                                                                                                                                                   |
|-------------------|---------------------------------------------------------------------------------------------------------------------------------------------------------------------------------------------------------------------------------------------------------------------------------------------------------------------------------------------------|
| <b>Conditions</b> | Requires option 5-SRAUTO or SUP5-SRAUTO Triggering and Analysis application.                                                                                                                                                                                                                                                                      |
| <b>Group</b>      | Search and Mark                                                                                                                                                                                                                                                                                                                                   |
| <b>Syntax</b>     | SEARCH:SEARCH<x>:TRIGger:A:BUS:FLEXRAY:CYCLEcount:VALue<br><QString><br>SEARCH:SEARCH<x>:TRIGger:A:BUS:FLEXRAY:CYCLEcount:VALue?                                                                                                                                                                                                                  |
| <b>Arguments</b>  | <QString> specifies the cycle count value.                                                                                                                                                                                                                                                                                                        |
| <b>Examples</b>   | SEARCH:SEARCH1:TRIGger:A:BUS:FLEXRAY:CYCLEcount:VALue "1010"<br>sets the cycle count value to XX1010.<br><br>SEARCH:SEARCH1:TRIGger:A:BUS:FLEXRAY:CYCLEcount:VALue? might<br>return SEARCH:SEARCH1:TRIGGER:A:BUS:FLEXRAY:CYCLECOUNT:VALUE<br>"XXXXXX", indicating the cycle count value is don't care, and it will trigger on<br>any cycle count. |

## SEARCH:SEARCH<x>:TRIGger:A:BUS:FLEXRAY:DATA:HIVALue

This command sets or queries the high value when searching on a FlexRay bus data field. The search number is specified by x. The search condition must be set to IDANDDATA OR DATA.

|                   |                                                                                                                          |
|-------------------|--------------------------------------------------------------------------------------------------------------------------|
| <b>Conditions</b> | Requires option 5-SRAUTO or SUP5-SRAUTO Triggering and Analysis application.                                             |
| <b>Group</b>      | Search and Mark                                                                                                          |
| <b>Syntax</b>     | SEARCH:SEARCH<x>:TRIGger:A:BUS:FLEXRAY:DATA:HIVALue<br><QString><br>SEARCH:SEARCH<x>:TRIGger:A:BUS:FLEXRAY:DATA:HIVALue? |
| <b>Arguments</b>  | <QString> specifies the data value.                                                                                      |
| <b>Examples</b>   | SEARCH:SEARCH1:TRIGger:A:BUS:FLEXRAY:DATA:HIVALue "1010" sets<br>the data value to XXXXXX1010.                           |

SEARCH:SEARCH1:TRIGger:A:BUS:FLEXRAY:DATA:HIVALue? might return SEARCH:SEARCH1:TRIGGER:A:BUS:FLEXRAY:DATA:HIVALUE "XXXXXXXXXX", indicating the data value is a don't care.

## SEARCH:SEARCH<x>:TRIGger:A:BUS:FLEXRAY:DATA:OFFSet

This command sets or queries the offset of the data string, in bytes, when searching on a FlexRay bus data field. The search number is specified by x. The search condition must be set to IDANDDATA OR DATA.

|                   |                                                                                                                                                                                                                                                          |
|-------------------|----------------------------------------------------------------------------------------------------------------------------------------------------------------------------------------------------------------------------------------------------------|
| <b>Conditions</b> | Requires option 5-SRAUTO or SUP5-SRAUTO Triggering and Analysis application.                                                                                                                                                                             |
| <b>Group</b>      | Search and Mark                                                                                                                                                                                                                                          |
| <b>Syntax</b>     | SEARCH:SEARCH<x>:TRIGger:A:BUS:FLEXRAY:DATA:OFFSet <NR3><br>SEARCH:SEARCH<x>:TRIGger:A:BUS:FLEXRAY:DATA:OFFSet?                                                                                                                                          |
| <b>Arguments</b>  | <NR3> specifies the data offset in bytes. A setting of X/Don't care is accomplished by setting the offset to -1.                                                                                                                                         |
| <b>Examples</b>   | SEARCH:SEARCH1:TRIGger:A:BUS:FLEXRAY:DATA:OFFSet 2 sets the data offset to 2 bytes.<br><br>SEARCH:SEARCH1:TRIGger:A:BUS:FLEXRAY:DATA:OFFSet? might return SEARCH:SEARCH1:TRIGGER:A:BUS:FLEXRAY:DATA:OFFSET -1, indicating the data offset is don't care. |

## SEARCH:SEARCH<x>:TRIGger:A:BUS:FLEXRAY:DATA:QUALifier

This command sets or queries the qualifier to be used when searching on a FlexRay bus signal. The search number is specified by x.

|                   |                                                                              |
|-------------------|------------------------------------------------------------------------------|
| <b>Conditions</b> | Requires option 5-SRAUTO or SUP5-SRAUTO Triggering and Analysis application. |
| <b>Group</b>      | Search and Mark                                                              |

|                  |                                                                                                                                                                                                                                                                                                                                                                                                         |
|------------------|---------------------------------------------------------------------------------------------------------------------------------------------------------------------------------------------------------------------------------------------------------------------------------------------------------------------------------------------------------------------------------------------------------|
| <b>Syntax</b>    | SEARCH:SEARCH<x>:TRIGger:A:BUS:FLEXRAY:DATA:QUALifier<br>{EQUAL LESSEQUAL MOREEQUAL UNEQUAL LESSTHAN MORETHAN INrange OUTrange}<br>SEARCH:SEARCH<x>:TRIGger:A:BUS:FLEXRAY:DATA:QUALifier?                                                                                                                                                                                                               |
| <b>Arguments</b> | EQUAL specifies the qualifier as equal.<br>LESSEQUAL specifies the qualifier as less equal.<br>MOREEQUAL specifies the qualifier as more equal.<br>UNEQUAL specifies the qualifier as unequal.<br>LESSTHAN specifies the qualifier as less than.<br>MORETHAN specifies the qualifier as more than.<br>INrange specifies the qualifier as in range.<br>OUTrange specifies the qualifier as out of range. |
| <b>Examples</b>  | SEARCH:SEARCH1:TRIGger:A:BUS:FLEXRAY:DATA:QUALifier LESSTHAN<br>sets the data qualifier to less than.<br><br>SEARCH:SEARCH1:TRIGger:A:BUS:FLEXRAY:DATA:QUALifier? might<br>return SEARCH:SEARCH1:TRIGGER:A:BUS:FLEXRAY:DATA:QUALIFIER<br>EQUAL, indicating the data qualifier is equal.                                                                                                                 |

## SEARCH:SEARCH<x>:TRIGger:A:BUS:FLEXRAY:DATA:SIZE

This command sets or queries the length of the data string, in bytes, to be used when searching on a FlexRay bus data field. The search number is specified by x. The search condition must be set to IDANDDATA OR DATA.

|                   |                                                                                                             |
|-------------------|-------------------------------------------------------------------------------------------------------------|
| <b>Conditions</b> | Requires option 5-SRAUTO or SUP5-SRAUTO Triggering and Analysis application.                                |
| <b>Group</b>      | Search and Mark                                                                                             |
| <b>Syntax</b>     | SEARCH:SEARCH<x>:TRIGger:A:BUS:FLEXRAY:DATA:SIZE <NR1><br>SEARCH:SEARCH<x>:TRIGger:A:BUS:FLEXRAY:DATA:SIZE? |
| <b>Arguments</b>  | <NR1> specifies the data size in bytes. A data size of -1 is don't care.                                    |

- Examples**     `SEARCH:SEARCH1:TRIGger:A:BUS:FLEXRAY:DATA:SIZE 2` sets the data size to 2.
- `SEARCH:SEARCH1:TRIGger:A:BUS:FLEXRAY:DATA:SIZE?` might return `SEARCH:SEARCH1:TRIGGER:A:BUS:FLEXRAY:DATA:SIZE 1`, indicating the data size is 1 byte.

## **SEARCH:SEARCH<x>:TRIGger:A:BUS:FLEXRAY:DATA:VALue**

This command sets or queries the low value to be used when searching on a FlexRay bus data field. The search number is specified by x. The search condition must be set to IDANDDATA or DATA.

- Conditions**     Requires option 5-SRAUTO or SUP5-SRAUTO Triggering and Analysis application.
- Group**            Search and Mark
- Syntax**            `SEARCH:SEARCH<x>:TRIGger:A:BUS:FLEXRAY:DATA:VALue <QString>`  
`SEARCH:SEARCH<x>:TRIGger:A:BUS:FLEXRAY:DATA:VALue?`
- Arguments**        `<QString>` specifies the data value.
- Examples**         `SEARCH:SEARCH1:TRIGger:A:BUS:FLEXRAY:DATA:VALue "1010"` sets the data value to XXXXXX1010.
- `SEARCH:SEARCH1:TRIGger:A:BUS:FLEXRAY:DATA:VALue?` might return `SEARCH:SEARCH1:TRIGGER:A:BUS:FLEXRAY:DATA:VALUE "XXXXXXXXXX"`, indicating the data value is a don't care.

## **SEARCH:SEARCH<x>:TRIGger:A:BUS:FLEXRAY:EOFTYPE**

This command sets or queries the end of frame type when searching on a FlexRay bus signal. The search number is specified by x. The search condition must be set to EOF.

- Conditions**        Requires option 5-SRAUTO or SUP5-SRAUTO Triggering and Analysis application.
- Group**            Search and Mark

|                  |                                                                                                                                                                                                                                                                       |
|------------------|-----------------------------------------------------------------------------------------------------------------------------------------------------------------------------------------------------------------------------------------------------------------------|
| <b>Syntax</b>    | SEARCH:SEARCH<x>:TRIGger:A:BUS:FLEXRAY:EOFTYPE<br>{ANY STATIC DYNAMIC}<br>SEARCH:SEARCH<x>:TRIGger:A:BUS:FLEXRAY:EOFTYPE?                                                                                                                                             |
| <b>Arguments</b> | ANY specifies either end of file type.<br><br>STATIC specifies the static end of file type.<br><br>DYNAMIC specifies the static end of file type.                                                                                                                     |
| <b>Examples</b>  | SEARCH:SEARCH1:TRIGger:A:BUS:FLEXRAY:EOFTYPE STATIC sets the end of file type to static.<br><br>SEARCH:SEARCH1:TRIGger:A:BUS:FLEXRAY:EOFTYPE? might return SEARCH:SEARCH1:TRIGGER:A:BUS:FLEXRAY:EOFTYPE ANY, indicating either end of file type will cause a trigger. |

## SEARCH:SEARCH<x>:TRIGger:A:BUS:FLEXRAY:ERRTYPE

This command sets or queries the error type when searching on a FlexRay bus signal. The search number is specified by x. The search condition must be set to ERROR.

|                   |                                                                                                                                                                                                                                                                                                                                    |
|-------------------|------------------------------------------------------------------------------------------------------------------------------------------------------------------------------------------------------------------------------------------------------------------------------------------------------------------------------------|
| <b>Conditions</b> | Requires option 5-SRAUTO or SUP5-SRAUTO Triggering and Analysis application.                                                                                                                                                                                                                                                       |
| <b>Group</b>      | Search and Mark                                                                                                                                                                                                                                                                                                                    |
| <b>Syntax</b>     | SEARCH:SEARCH<x>:TRIGger:A:BUS:FLEXRAY:ERRTYPE<br>{CRCHeader CRCTrailer NULLFRStatic NULLFRDynamic <br>SYNCFrame STARTupnosync}<br>SEARCH:SEARCH<x>:TRIGger:A:BUS:FLEXRAY:ERRTYPE?                                                                                                                                                 |
| <b>Arguments</b>  | CRCHeader sets the error type to CRCHeader.<br><br>CRCTrailer sets the error type to CRCTrailer.<br><br>NULLFRStatic sets the error type to NULLFRStatic.<br><br>NULLFRDynamic sets the error type to NULLFRDynamic.<br><br>SYNCFrame sets the error type to SYNCFrame.<br><br>STARTupnosync sets the error type to STARTupnosync. |

**Examples**     `SEARCH:SEARCH1:TRIGger:A:BUS:FLEXRAY:ERRTYPE SYNCFRAME` sets the error type to SYNCFRAME.

`SEARCH:SEARCH1:TRIGger:A:BUS:FLEXRAY:ERRTYPE?` might return `SEARCH:SEARCH1:TRIGGER:A:BUS:FLEXRAY:ERRTYPE CRCHEADER`, indicating the error type is CRCHEADER.

## **SEARCH:SEARCH<x>:TRIGger:A:BUS:FLEXRAY:FRAMEID:HIVALue**

This command sets or queries the high value when searching on a FlexRay bus frame id field. The search condition must be set to IDentifier. The search number is specified by x.

**Group**     Search and Mark

**Syntax**     `SEARCH:SEARCH<x>:TRIGger:A:BUS:FLEXRAY:FRAMEID:HIVALue`  
                 `<QString>`  
                 `SEARCH:SEARCH<x>:TRIGger:A:BUS:FLEXRAY:FRAMEID:HIVALue?`

**Arguments**     `<QString>` is the frame id high value.

**Examples**     `SEARCH:SEARCH1:TRIGger:A:BUS:FLEXray:FRAMEID:HIVALue`  
                 `"XXXXXXXX1010"` sets the HIVALUE to XXXXXXXX1010.

`SEARCH:SEARCH1:TRIGger:A:BUS:FLEXray:FRAMEID:HIVALue?` might return `SEARCH:SEARCH1:TRIGGER:A:BUS:FLEXRAY:FRAMEID:HIVALUE` `"XXXXXXXXXXXX"` indicating the HIVALUE is XXXXXXXXXXXX.

## **SEARCH:SEARCH<x>:TRIGger:A:BUS:FLEXRAY:FRAMEID:QUALifier**

This command sets the qualifier to be used when searching on a FlexRay bus signal. The search condition must be set to Identifier. The search number is specified by x.

**Group**     Search and Mark

**Syntax**     `SEARCH:SEARCH<x>:TRIGger:A:BUS:FLEXRAY:FRAMEID:QUALifier`  
                 `{Equal|UNEQual|LESsthan|MOREthan|LESSEQual|MOREEQual|`  
                 `INrange|OUTrange}`  
                 `SEARCH:SEARCH<x>:TRIGger:A:BUS:FLEXRAY:FRAMEID:QUALifier?`



**Arguments**    `EQua1` sets the qualifier to equal.  
                   `UNEQua1` sets the qualifier to unequal.  
                   `LESSthan` sets the qualifier to less than.  
                   `MOREthan` sets the qualifier to more than.  
                   `LESSEQua1` sets the qualifier to less equal.  
                   `MOREEQua1` sets the qualifier to more equal.  
                   `INrange` sets the qualifier to in range.  
                   `OUTrange` sets the qualifier to out of range.

**Examples**    `SEARCH:SEARCH1:TRIGger:A:BUS:FLEXray:FRAMEID:QUALifier`  
                   `UNEQUAL` sets the qualifier to unequal.

`SEARCH:SEARCH1:TRIGger:A:BUS:FLEXray:FRAMEID:QUALifier?` might  
 return `SEARCH:SEARCH1:TRIGGER:A:BUS:FLEXRAY:FRAMEID:QUALIFIER`  
`EQUAL` indicating the qualifier is set to equal.

## **SEARCH:SEARCH<x>:TRIGger:A:BUS:FLEXRAY:FRAMEID:VALue**

This command sets the low value when searching on a FlexRay bus id field. The search condition must be set to `IDentifier`. The search number is specified by `x`.

**Group**        `Search and Mark`

**Syntax**        `SEARCH:SEARCH<x>:TRIGger:A:BUS:FLEXRAY:FRAMEID:VALue`  
                   `<QString>`  
                   `SEARCH:SEARCH<x>:TRIGger:A:BUS:FLEXRAY:FRAMEID:VALue?`

**Arguments**    `<QString>` is the frame id value.

**Examples**    `SEARCH:SEARCH1:TRIGger:A:BUS:FLEXray:FRAMEID:VALue`  
                   `"XXXXXXXX1010"` sets the value to `XXXXXXXX1010`.

`SEARCH:SEARCH1:TRIGger:A:BUS:FLEXray:FRAMEID:VALue?` might  
 return `SEARCH:SEARCH1:TRIGGER:A:BUS:FLEXRAY:FRAMEID:VALUE`  
`"XXXXXXXXXXXXX"` indicating the value is `XXXXXXXXXXXXX`.

## SEARCH:SEARCH<x>:TRIGger:A:BUS:FLEXRAY:FRAMEType

This command sets or queries the FlexRay bus search frame type. The search number is specified by x.

**Conditions** Requires option 5-SRAUTO or SUP5-SRAUTO Triggering and Analysis application.

**Group** Search and Mark

**Syntax** SEARCH:SEARCH<x>:TRIGger:A:BUS:FLEXRAY:FRAMEType  
{NORMa1|PAYload|NULL|SYNC|STARTup}  
SEARCH:SEARCH<x>:TRIGger:A:BUS:FLEXRAY:FRAMEType?

**Arguments** NORMa1 sets the frame type to normal.  
PAYload sets the frame type to payload.  
NULL sets the frame type to null.  
SYNC sets the frame type to sync.  
STARTup sets the frame type to startup.

**Examples** SEARCH:SEARCH1:TRIGger:A:BUS:FLEXRAY:FRAMEType startup sets the frame type to startup.  
SEARCH:SEARCH1:TRIGger:A:BUS:FLEXRAY:FRAMEType? might return SEARCH:SEARCH1:TRIGGER:A:BUS:FLEXRAY:FRAMETYPE NORMAL, indicating the frame type is normal.

## SEARCH:SEARCH<x>:TRIGger:A:BUS:FLEXRAY:HEADER:CRC

This command sets or queries the CRC portion of the binary header string whensearching on a FlexRay bus header. The search number is specified by x.

**Conditions** Requires option 5-SRAUTO or SUP5-SRAUTO Triggering and Analysis application.

**Group** Search and Mark

**Syntax** SEARCH:SEARCH<x>:TRIGger:A:BUS:FLEXRAY:HEADER:CRC <QString>  
SEARCH:SEARCH<x>:TRIGger:A:BUS:FLEXRAY:HEADER:CRC?

**Arguments** <QString> specifies the CRC.

**Examples** SEARCH:SEARCH<x>:TRIGger:A:BUS:FLEXRAY:HEADER:CRC "1010" sets the header CRC to XXXXXX101.

SEARCH:SEARCH<x>:TRIGger:A:BUS:FLEXRAY:HEADER:CRC? might return SEARCH:SEARCH1:TRIGGER:A:BUS:FLEXRAY:HEADER:CRC "XXXXXXXXXXXX", indicating the header CRC is a don't care.

## SEARCH:SEARCH<x>:TRIGger:A:BUS:FLEXRAY:HEADER:CYCLECount

This command sets or queries the cycle count portion of the binary header string when searching on a FlexRay bus header. The search number is specified by x. The search condition must be set to HEADER.

**Conditions** Requires option 5-SRAUTO or SUP5-SRAUTO Triggering and Analysis application.

**Group** Search and Mark

**Syntax** SEARCH:SEARCH<x>:TRIGger:A:BUS:FLEXRAY:HEADER:CYCLECount <QString>  
SEARCH:SEARCH<x>:TRIGger:A:BUS:FLEXRAY:HEADER:CYCLECount?

**Arguments** <QString> specifies the header cycle count.

**Examples** SEARCH:SEARCH1:TRIGger:A:BUS:FLEXRAY:HEADER:CYCLECount "1010" sets the header cycle count to XX1010.

SEARCH:SEARCH1:TRIGger:A:BUS:FLEXRAY:HEADER:CYCLECount? might return SEARCH:SEARCH1:TRIGGER:A:BUS:FLEXRAY:HEADER:CYCLECOUNT "XXXXXX" indicating the cycle count has not been set.

## SEARCH:SEARCH<x>:TRIGger:A:BUS:FLEXRAY:HEADER:FRAMEID

This command sets or queries the frame id portion of the binary header string when searching on a FlexRay bus header. The search number is specified by x. The search condition must be set to HEADER or IDANDDATA.

**Conditions** Requires option 5-SRAUTO or SUP5-SRAUTO Triggering and Analysis application.

|                  |                                                                                                                                                                                                                                                                                                   |
|------------------|---------------------------------------------------------------------------------------------------------------------------------------------------------------------------------------------------------------------------------------------------------------------------------------------------|
| <b>Group</b>     | Search and Mark                                                                                                                                                                                                                                                                                   |
| <b>Syntax</b>    | SEARCH:SEARCH<x>:TRIGger:A:BUS:FLEXRAY:HEADER:FRAMEID<br><QString><br>SEARCH:SEARCH<x>:TRIGger:A:BUS:FLEXRAY:HEADER:FRAMEID?                                                                                                                                                                      |
| <b>Arguments</b> | <QString> specifies the frame ID.                                                                                                                                                                                                                                                                 |
| <b>Examples</b>  | SEARCH:SEARCH1:TRIGger:A:BUS:FLEXRAY:HEADER:FRAMEID "1010"<br>sets the header frame ID to XXXXXXXX1010.<br><br>SEARCH:SEARCH1:TRIGger:A:BUS:FLEXRAY:HEADER:FRAMEID? might<br>return SEARCH:SEARCH1:TRIGGER:A:BUS:FLEXRAY:HEADER:FRAMEID<br>"XXXXXXXXXX", indicating the frame ID is a don't care. |

## SEARCH:SEARCH<x>:TRIGger:A:BUS:FLEXRAY:HEADER:INDBits

This command sets or queries the Indicator bits portion of the binary header string when searching on a FlexRay bus header. The search number is specified by x. The search condition must be set to HEADer.

|                   |                                                                                                                                                                                                                                                                                                         |
|-------------------|---------------------------------------------------------------------------------------------------------------------------------------------------------------------------------------------------------------------------------------------------------------------------------------------------------|
| <b>Conditions</b> | Requires option 5-SRAUTO or SUP5-SRAUTO Triggering and Analysis application.                                                                                                                                                                                                                            |
| <b>Group</b>      | Search and Mark                                                                                                                                                                                                                                                                                         |
| <b>Syntax</b>     | SEARCH:SEARCH<x>:TRIGger:A:BUS:FLEXRAY:HEADER:INDBits<br><QString><br>SEARCH:SEARCH<x>:TRIGger:A:BUS:FLEXRAY:HEADER:INDBits?                                                                                                                                                                            |
| <b>Arguments</b>  | <QString> specifies the header Indicator Bits.                                                                                                                                                                                                                                                          |
| <b>Examples</b>   | SEARCH:SEARCH<x>:TRIGger:A:BUS:FLEXRAY:HEADER:INDBits "1010"<br>sets the header Indicator Bits to X1010.<br><br>SEARCH:SEARCH<x>:TRIGger:A:BUS:FLEXRAY:HEADER:INDBits? might<br>return SEARCH:SEARCH1:TRIGGER:A:BUS:FLEXRAY:HEADER:INDBITS<br>"XXXXX", indicating the Indicator Bits have not been set. |

**SEARCH:SEARCH<x>:TRIGger:A:BUS:FLEXRAY:HEADER:PAYLENgth**

This command sets or queries the payload length portion of the binary header string when searching on a FlexRay bus search trigger header. The search number is specified by x. The search condition must be set to HEADER.

|                   |                                                                                                                                                                                                                                                                                                    |
|-------------------|----------------------------------------------------------------------------------------------------------------------------------------------------------------------------------------------------------------------------------------------------------------------------------------------------|
| <b>Conditions</b> | Requires option 5-SRAUTO or SUP5-SRAUTO Triggering and Analysis application.                                                                                                                                                                                                                       |
| <b>Group</b>      | Search and Mark                                                                                                                                                                                                                                                                                    |
| <b>Syntax</b>     | SEARCH:SEARCH<x>:TRIGger:A:BUS:FLEXRAY:HEADER:PAYLENgth<br><QString><br>SEARCH:SEARCH<x>:TRIGger:A:BUS:FLEXRAY:HEADER:PAYLENgth?                                                                                                                                                                   |
| <b>Arguments</b>  | <QString> specifies the header Payload Length.                                                                                                                                                                                                                                                     |
| <b>Examples</b>   | SEARCH:SEARCH1:TRIGger:A:BUS:FLEXRAY:HEADER:PAYLENgth "1010"<br>sets the Payload Length to 1010.<br><br>SEARCH:SEARCH1:TRIGger:A:BUS:FLEXRAY:HEADER:PAYLENgth? might<br>return SEARCH:SEARCH1:TRIGGER:A:BUS:FLEXRAY:HEADER:PAYLENgth<br>"xxxxxxx", indicating the Payload Length has not been set. |

**SEARCH:SEARCH<x>:TRIGger:A:BUS:I2C:ADDReSS:MODE**

This command sets or queries the I2C address mode for the specified bus search to determine where to place a mark. The search number is specified by x.

|                   |                                                                                                                       |
|-------------------|-----------------------------------------------------------------------------------------------------------------------|
| <b>Conditions</b> | Requires option 5-SREMBD or SUP5-SREMBD Triggering and Analysis application.                                          |
| <b>Group</b>      | Search and Mark                                                                                                       |
| <b>Syntax</b>     | SEARCH:SEARCH<x>:TRIGger:A:BUS:I2C:ADDReSS:MODE<br>{ADDR10 ADDR7}<br>SEARCH:SEARCH<x>:TRIGger:A:BUS:I2C:ADDReSS:MODE? |
| <b>Arguments</b>  | ADDR10 specifies the address mode as ADDR10.<br><br>ADDR7 specifies the address mode as ADDR7.                        |

**Examples**     `SEARCH:SEARCH1:TRIGGER:A:BUS:I2C:ADDRESS:MODE ADDR10` sets the address mode for I2C bus trigger search 1 to ADDR10.

`SEARCH:SEARCH2:TRIGGER:A:BUS:I2C:ADDRESS:MODE?` might return `:SEARCH:SEARCH2:TRIGGER:A:BUS:I2C:ADDRESS:MODE ADDR7`, indicating that the address mode for I2C bus trigger search 2 is set to ADDR7.

## **SEARCH:SEARCH<x>:TRIGger:A:BUS:I2C:ADDRess:VALue**

This command sets or queries the binary address string used for the I2C search the specified search condition is Address or AddressData. The search number is specified by x.

**Conditions**     Requires option 5-SREMBD or SUP5-SREMBD Triggering and Analysis application.

**Group**            Search and Mark

**Syntax**           `SEARCH:SEARCH<x>:TRIGger:A:BUS:I2C:ADDRESS:VALUE <QString>`  
`SEARCH:SEARCH<x>:TRIGger:A:BUS:I2C:ADDRESS:VALUE?`

**Related Commands**     [SEARCH:SEARCH<x>:TRIGger:A:BUS:I2C:ADDRess:MODE](#)

**Arguments**        <QString> specifies the address value. This is either a 7-bit or 10-bit value depending on the address mode. The valid characters are 0-9, A-F, and X for addresses in hexadecimal format; and 0, 1, and X otherwise.

**Examples**         `SEARCH:SEARCH2:TRIGGER:A:BUS:I2C:ADDRESS:VALUE "01XXXXX"` sets the address value to "01XXXXX" when the mode is ADDR7 and the format is binary.

`SEARCH:SEARCH1:TRIGGER:A:BUS:I2C:ADDRESS:VALUE?` might return `SEARCH:SEARCH1:TRIGGER:A:BUS:I2C:ADDRESS:VALUE "XX"`, indicating that the address value is "XX" when the address mode is set to ADDR7 and the address format is hexadecimal.

## **SEARCH:SEARCH<x>:TRIGger:A:BUS:I2C:CONDition**

This command sets or queries the search condition for an I2C bus. The search number is specified by x.

|                   |                                                                                                                                                                                                                                                                                                                                                                                                                                                          |
|-------------------|----------------------------------------------------------------------------------------------------------------------------------------------------------------------------------------------------------------------------------------------------------------------------------------------------------------------------------------------------------------------------------------------------------------------------------------------------------|
| <b>Conditions</b> | Requires option 5-SREMBD or SUP5-SREMBD Triggering and Analysis application.                                                                                                                                                                                                                                                                                                                                                                             |
| <b>Group</b>      | Search and Mark                                                                                                                                                                                                                                                                                                                                                                                                                                          |
| <b>Syntax</b>     | SEARCH:SEARCH<x>:TRIGger:A:BUS:I2C:CONDition {ADDRESS  ADDRANDDATA  DATA  ACKMISS  REPEATstart  START  STOP}<br>SEARCH:SEARCH<x>:TRIGger:A:BUS:I2C:CONDition?                                                                                                                                                                                                                                                                                            |
| <b>Arguments</b>  | <p>ADDRESS specifies the trigger condition as Address.</p> <p>ADDRANDDATA specifies the trigger condition as Address and Data.</p> <p>DATA specifies the trigger condition as Data.</p> <p>ACKMISS specifies the trigger condition as Missing of Acknowledgement.</p> <p>REPEATstart specifies the trigger condition as Repeat of Start.</p> <p>START specifies the trigger condition as Start.</p> <p>STOP specifies the trigger condition as Stop.</p> |
| <b>Examples</b>   | <p>SEARCH:SEARCH1:TRIGGER:A:BUS:I2C:CONDITION ADDRESS sets the trigger condition for I2C bus trigger search 1 to Address.</p> <p>SEARCH:SEARCH1:TRIGGER:A:BUS:I2C:CONDITION? might return SEARCH:SEARCH1:TRIGGER:A:BUS:I2C:CONDITION ADDRANDDATA, indicating that the trigger condition for I2C bus trigger search 1 is set to Address and Data.</p>                                                                                                     |

## SEARCH:SEARCH<x>:TRIGger:A:BUS:I2C:DATA:DIRection

This command sets or queries the direction of the data for the I2C bus search to determine where to place a mark. The search number is specified by x. Read or write is indicated by the R/W bit in the I2C protocol.

|                   |                                                                                                                               |
|-------------------|-------------------------------------------------------------------------------------------------------------------------------|
| <b>Conditions</b> | Requires option 5-SREMBD or SUP5-SREMBD Triggering and Analysis application.                                                  |
| <b>Group</b>      | Search and Mark                                                                                                               |
| <b>Syntax</b>     | SEARCH:SEARCH<x>:TRIGger:A:BUS:I2C:DATA:DIRection {NOCARE  READ  WRITE}<br>SEARCH:SEARCH<x>:TRIGger:A:BUS:I2C:DATA:DIRection? |

|                  |                                                                                                                                                                                                                                                                                                                                           |
|------------------|-------------------------------------------------------------------------------------------------------------------------------------------------------------------------------------------------------------------------------------------------------------------------------------------------------------------------------------------|
| <b>Arguments</b> | <p>NOCARE specifies the direction of data as Don't Care.</p> <p>READ specifies the direction of data as Read.</p> <p>WRITE specifies the direction of data as Write.</p>                                                                                                                                                                  |
| <b>Examples</b>  | <p>SEARCH:SEARCH1:TRIGGER:A:BUS:I2C:DATA:DIRECTION READ sets the data direction for I2C bus trigger search 1 to READ.</p> <p>SEARCH:SEARCH2:TRIGGER:A:BUS:I2C:DATA:DIRECTION? might return :SEARCH:SEARCH2:TRIGGER:A:BUS:I2C:DATA:DIRECTION DONTCARE, indicating that the data direction of the I2C bus trigger search 2 is DONTCare.</p> |

## SEARCH:SEARCH<x>:TRIGger:A:BUS:I2C:DATA:SIZE

This command sets or queries the length of the data string in bytes used for an I2C bus search to determine where to place a mark. The search number is specified by x. The search condition must be DATA or ADDRANDDATA.

**Conditions** Requires option 5-SREMBD or SUP5-SREMBD Triggering and Analysis application.

**Group** Search and Mark

**Syntax** SEARCH:SEARCH<x>:TRIGger:A:BUS:I2C:DATA:SIZE <NR1>  
SEARCH:SEARCH<x>:TRIGger:A:BUS:I2C:DATA:SIZE?

**Arguments** <NR1> specifies the data size in bytes.

**Examples** SEARCH:SEARCH1:TRIGGER:A:BUS:I2C:DATA:SIZE 1 sets the length of the data string for I2C bus trigger search 1 to 1 byte.

SEARCH:SEARCH1:TRIGGER:A:BUS:I2C:DATA:SIZE? might return SEARCH:SEARCH1:TRIGGER:A:BUS:I2C:DATA:SIZE 3, indicating that the length of the data string for I2C bus trigger search 1 is 3 bytes.

## SEARCH:SEARCH<x>:TRIGger:A:BUS:I2C:DATA:VALue

This command sets or queries the binary data string used for I2C bus search to determine where to place a mark. The search number is specified by x. The search condition must be DATA or ADDRANDDATA.



|                   |                                                                                                                                                                                                                                                                                                                             |
|-------------------|-----------------------------------------------------------------------------------------------------------------------------------------------------------------------------------------------------------------------------------------------------------------------------------------------------------------------------|
| <b>Conditions</b> | Requires option 5-SREMBD or SUP5-SREMBD Triggering and Analysis application.                                                                                                                                                                                                                                                |
| <b>Group</b>      | Search and Mark                                                                                                                                                                                                                                                                                                             |
| <b>Syntax</b>     | SEARCH:SEARCH<x>:TRIGger:A:BUS:I2C:DATA:VALue <QString><br>SEARCH:SEARCH<x>:TRIGger:A:BUS:I2C:DATA:VALue?                                                                                                                                                                                                                   |
| <b>Arguments</b>  | <QString> specifies the data value. The valid characters are 0, 1, or X for binary format; and A-F, 0-9, and X for hexadecimal format.                                                                                                                                                                                      |
| <b>Examples</b>   | SEARCH:SEARCH1:TRIGGER:A:BUS:I2C:DATA:VALUE "1001" sets the data value for I2C bus trigger search 1 to "1001".<br><br>SEARCH:SEARCH2:TRIGGER:A:BUS:I2C:DATA:VALUE? might return :SEARCH:SEARCH2:TRIGGER:A:BUS:I2C:DATA:VALUE "XX", indicating that the data value for I2C bus trigger search is "XX" in hexadecimal format. |

## SEARCH:SEARCH<x>:TRIGger:A:BUS:I3C:ADDRes:MODE

This command sets or queries the address mode for the specified I3C bus trigger search to determine where to place a search mark.

Requires purchase and installation of option SRI3C.

|                         |                                                                                                                                              |
|-------------------------|----------------------------------------------------------------------------------------------------------------------------------------------|
| <b>Group</b>            | Search and Mark                                                                                                                              |
| <b>Syntax</b>           | SEARCH:SEARCH<x>:TRIGger:A:BUS:I3C:ADDRes:MODE<br>{ADDR10 ADDR7}<br>SEARCH:SEARCH<x>:TRIGger:A:BUS:I3C:ADDRes:MODE?                          |
| <b>Related Commands</b> | <a href="#">SEARCH:SEARCH&lt;x&gt;:TRIGger:A:BUS:I3C:ADDRes:VALue</a>                                                                        |
| <b>Arguments</b>        | SEARCH<x> specifies the search number.<br><br>ADDR10 specifies the address mode as ADDR10.<br><br>ADDR7 specifies the address mode as ADDR7. |

**Examples**     `SEARCH:SEARCH1:TRIGGER:A:BUS:I3C:ADDRESS:MODE ADDR10` sets the address mode for I3C bus trigger Search 1 to ADDR10.

`SEARCH:SEARCH2:TRIGGER:A:BUS:I3C:ADDRESS:MODE?` might return `SEARCH:SEARCH2:TRIGGER:A:BUS:I3C:ADDRESS:MODE ADDR7`, indicating that the address mode for I3C bus trigger Search 2 is set to ADDR7.

## **SEARCH:SEARCH<x>:TRIGger:A:BUS:I3C:ADDRess:VALue**

This command sets or queries the I3C address value for which to search, to determine where to place a search mark.

Requires purchase and installation of option SRI3C.

**Group**     Search and Mark

**Syntax**     `SEARCH:SEARCH<x>:TRIGger:A:BUS:I3C:ADDRESS:VALUE <QString>`  
`SEARCH:SEARCH<x>:TRIGger:A:BUS:I3C:ADDRESS:VALUE?`

**Related Commands**     [SEARCH:SEARCH<x>:TRIGger:A:BUS:I3C:ADDRess:MODE](#)

**Arguments**     `SEARCH<x>` specifies the search number.

`<QString>` specifies the address value for the specified Search `<x>`. This is either a 7-bit or 10-bit value depending on the address mode. The valid characters are 0-9, A-F, and X for Hexadecimal address format; and 0, 1, and X (don't care) for Binary address format.

**Examples**     `SEARCH:SEARCH2:TRIGGER:A:BUS:I3C:ADDRESS:VALUE "01XXXXX"` sets the address value to "01XXXXX" when the mode is ADDR7 and the format is binary.

`SEARCH:SEARCH1:TRIGGER:A:BUS:I3C:ADDRESS:VALUE?` might return `SEARCH:SEARCH1:TRIGGER:A:BUS:I3C:ADDRESS:VALUE "XX"`, indicating that the address value is "XX" when the address mode is set to ADDR7 and the address format is hexadecimal.

## **SEARCH:SEARCH<x>:TRIGger:A:BUS:I3C:BCR:VALue**

This command sets or queries the binary field string used for the I3C search if the trigger condition is BCR.

Requires purchase and installation of option SRI3C.

|                  |                                                                                                                                                                                                                                                                                                         |
|------------------|---------------------------------------------------------------------------------------------------------------------------------------------------------------------------------------------------------------------------------------------------------------------------------------------------------|
| <b>Group</b>     | Search and Mark                                                                                                                                                                                                                                                                                         |
| <b>Syntax</b>    | SEARCH:SEARCH<x>:TRIGger:A:BUS:I3C:BCR:VALue <QString><br>SEARCH:SEARCH<x>:TRIGger:A:BUS:I3C:BCR:VALue?                                                                                                                                                                                                 |
| <b>Arguments</b> | SEARCH<x> specifies the search number.<br><br><QString> specifies the value for which to search. The valid characters are 0, 1, or X for Binary format; and 0-9, A-F, and X for Hexadecimal format.                                                                                                     |
| <b>Examples</b>  | SEARCH:SEARCH1:TRIGGER:A:BUS:I3C:BCR:VALue "1001" sets the BCR value for I3C bus Search 1 to 1001.<br><br>SEARCH:SEARCH2:TRIGGER:A:BUS:I3C:BCR:VALue? might return SEARCH:SEARCH2:TRIGGER:A:BUS:I3C:BCR:VALue "1001", indicating that the BCR value for I3C bus Search 2 is 1001 in hexadecimal format. |

## SEARCH:SEARCH<x>:TRIGger:A:BUS:I3C:BCRType:VALue

This command sets or queries the binary field string used for the I3C bus search if the trigger condition is BCRTYPE.

Requires purchase and installation of option SRI3C.

|                  |                                                                                                                                                                                                                                                                                                                                   |
|------------------|-----------------------------------------------------------------------------------------------------------------------------------------------------------------------------------------------------------------------------------------------------------------------------------------------------------------------------------|
| <b>Group</b>     | Search and Mark                                                                                                                                                                                                                                                                                                                   |
| <b>Syntax</b>    | SEARCH:SEARCH<x>:TRIGger:A:BUS:I3C:BCRType:VALue <QString><br>SEARCH:SEARCH<x>:TRIGger:A:BUS:I3C:BCRType:VALue?                                                                                                                                                                                                                   |
| <b>Arguments</b> | SEARCH<x> specifies the search number.<br><br><QString> specifies the data value for which to search. The valid characters are 0, 1, or X for Binary format; and 0-9, A-F, and X for Hexadecimal format.                                                                                                                          |
| <b>Examples</b>  | SEARCH:SEARCH1:TRIGGER:A:BUS:I3C:BCRType:VALue "1001" sets the DCR Type value for I3C bus Search 1 to "1001".<br><br>SEARCH:SEARCH2:TRIGGER:A:BUS:I3C:BCRType:VALue? might return SEARCH:SEARCH2:TRIGGER:A:BUS:I3C:BCRType:VALue "1001", indicating that the BCR Type value for I3C bus Search 2 is "1001" in hexadecimal format. |

## SEARCH:SEARCH<x>:TRIGger:A:BUS:I3C:BPACkets

This command sets or queries the I3C Broadcast Packets search to Broadcast or Response.

Requires purchase and installation of option SRI3C.

|                  |                                                                                                                                                                                                                                                                                                                             |
|------------------|-----------------------------------------------------------------------------------------------------------------------------------------------------------------------------------------------------------------------------------------------------------------------------------------------------------------------------|
| <b>Group</b>     | Search and Mark                                                                                                                                                                                                                                                                                                             |
| <b>Syntax</b>    | SEARCH:SEARCH<x>:TRIGger:A:BUS:I3C:BPACkets<br>{RESPonse BROadcast}<br>SEARCH:SEARCH<x>:TRIGger:A:BUS:I3C:BPACkets?                                                                                                                                                                                                         |
| <b>Arguments</b> | SEARCH<x> specifies the search number.<br><br>RESPonse specifies the broadcast address mode as Response.<br><br>BROadcast specifies the broadcast address mode as Broadcast.                                                                                                                                                |
| <b>Examples</b>  | SEARCH:SEARCH1:TRIGGER:A:BUS:I3C:BPACkets RESPonse sets the broadcast packets type for I3C bus Search 1 to Response.<br><br>SEARCH:SEARCH2:TRIGGER:A:BUS:I3C:BPACkets? might return SEARCH:SEARCH2:TRIGGER:A:BUS:I3C:BPACkets RESPonse, indicating that the broadcast packets type for I3C bus Search 2 is set to Response. |

## SEARCH:SEARCH<x>:TRIGger:A:BUS:I3C:BRGTID:VALue

This command sets or queries the binary field string used for the I3C trigger if the trigger condition is SETBRGTGT packet ID.

Requires purchase and installation of option SRI3C.

|                  |                                                                                                                                                                                                     |
|------------------|-----------------------------------------------------------------------------------------------------------------------------------------------------------------------------------------------------|
| <b>Group</b>     | Search and Mark                                                                                                                                                                                     |
| <b>Syntax</b>    | SEARCH:SEARCH<x>:TRIGger:A:BUS:I3C:BRGTID:VALue <QString><br>SEARCH:SEARCH<x>:TRIGger:A:BUS:I3C:BRGTID:VALue?                                                                                       |
| <b>Arguments</b> | SEARCH<x> specifies the search number.<br><br><QString> specifies the value for which to search. The valid characters are 0, 1, or X for Binary format; and 0-9, A-F, and X for Hexadecimal format. |

- Examples**    `SEARCH:SEARCH1:TRIGGER:A:BUS:I3C:BRGTID:VALue "1001"` sets the Brgtgt search value for I3C bus Search 1 to 1001.
- `SEARCH:SEARCH2:TRIGGER:A:BUS:I3C:BRGTID:VALue?` might return `SEARCH:SEARCH2:TRIGGER:A:BUS:I3C:BRGTID:VALue "9A"`, indicating that the Brgtgt search value for I3C bus trigger Search 2 is 9A in hexadecimal format.

## SEARCH:SEARCH<x>:TRIGger:A:BUS:I3C:CCODE:VALue

This command sets or queries the binary field string used for the I3C trigger if the trigger condition is SETBRGTGT packet ID.

Requires purchase and installation of option SRI3C.

- Group**    Search and Mark
- Syntax**    `SEARCH:SEARCH<x>:TRIGger:A:BUS:I3C:CCODE:VALue <QString>`  
`SEARCH:SEARCH<x>:TRIGger:A:BUS:I3C:CCODE:VALue?`
- Arguments**    `SEARCH<x>` specifies the search number.
- `<QString>` specifies the value for which to search. The valid characters are 0, 1, or X for Binary format; and A-F, 0-9, and X for Hexadecimal format.
- Examples**    `SEARCH:SEARCH1:TRIGGER:A:BUS:I3C:CCODE:VALue "1001"` sets the command code value for I3C bus Search 1 to Binary 1001.
- `SEARCH:SEARCH2:TRIGGER:A:BUS:I3C:CCODE:VALue?` might return `SEARCH:SEARCH2:TRIGGER:A:BUS:I3C:CCODE:VALue "1001"`, indicating that the command code value for I3C bus Search 2 is 1001 in hexadecimal format.

## SEARCH:SEARCH<x>:TRIGger:A:BUS:I3C:CONDition

This command sets or queries the trigger condition for the specified I3C bus trigger search to determine where to place a mark.

Requires purchase and installation of option SRI3C.

- Group**    Search and Mark
- Syntax**    `SEARCH:SEARCH<x>:TRIGger:A:BUS:I3C:CONDition`  
`{START|REPEATStart|ADDRESS|DATA|`

SDRDirect|SDRBroadcast|DDR|ERRORs|HOTJoin|  
DMSGEnd|BMSGEnd|HDRRestart|HDRExit}  
SEARCH:SEARCH<x>:TRIGger:A:BUS:I3C:CONDition?

**Arguments** SEARCH<x> specifies the search number.  
START specifies trigger condition as Start.  
REPEATStart specifies trigger condition as Repeated Start.  
ADDRESS specifies trigger condition as Address.  
DATA specifies trigger condition as Data.  
SDRDirect specifies trigger condition as I3C SDR Direct.  
SDRBroadcast specifies trigger condition as I3C SDR Broadcast.  
DDR specifies trigger condition as DDR.  
ERRORs specifies trigger condition as Errors.  
HOTJoin specifies trigger condition as Hot-Join.  
DMSGEnd specifies trigger condition as Direct Message End.  
BMSGEnd specifies trigger condition as Stop.  
HDRRestart specifies trigger condition as HDR Restart.  
HDRExit specifies trigger condition as HDR Exit.

**Examples** SEARCH:SEARCH3:TRIGGER:A:BUS:I3C:CONDITION START sets the trigger condition for I3C bus trigger Search 3to Start.  
SEARCH:SEARCH1:TRIGGER:A:BUS:I3C:CONDITION? might return SEARCH:SEARCH1:TRIGGER:A:BUS:I3C:CONDITION ADDRESS, indicating that the trigger condition for I3C bus trigger search 1 is set to Address.

## SEARCH:SEARCH<x>:TRIGger:A:BUS:I3C:DATA:DIRection

This command sets or queries the direction of the data for the I3C bus trigger search to determine where to place a mark.

Requires purchase and installation of option SRI3C.

**Group** Search and Mark

**Syntax** SEARCH:SEARCH<x>:TRIGger:A:BUS:I3C:DATA:DIRection  
{NOCARE|READ|WRITE}  
SEARCH:SEARCH<x>:TRIGger:A:BUS:I3C:DATA:DIRection?

|                  |                                                                                                                                                                                                                                                                                                                          |
|------------------|--------------------------------------------------------------------------------------------------------------------------------------------------------------------------------------------------------------------------------------------------------------------------------------------------------------------------|
| <b>Arguments</b> | <p>SEARCH&lt;x&gt; specifies the search number.</p> <p>NOCARE specifies the data direction for which to search is Don't Care.</p> <p>READ specifies the data direction for which to search is Read.</p> <p>WRITE specifies the data direction for which to search is Write.</p>                                          |
| <b>Examples</b>  | <p>SEARCH:SEARCH1:TRIGGER:A:BUS:I3C:DATA:DIRECTION READ sets the data direction for I3C bus Search 1 to READ.</p> <p>SEARCH:SEARCH2:TRIGGER:A:BUS:I3C:DATA:DIRECTION? might return SEARCH:SEARCH2:TRIGGER:A:BUS:I3C:DATA:DIRECTION NOCARE, indicating that the data direction of the I3C bus Search 2 is Don't Care.</p> |

## SEARCH:SEARCH<x>:TRIGger:A:BUS:I3C:DATA:SIZE

This command sets or queries the length of the data string in bytes used for the specified I3C bus trigger search to determine where to place a mark.

Requires purchase and installation of option SRI3C.

|                  |                                                                                                                                                                                                                                                                                                                     |
|------------------|---------------------------------------------------------------------------------------------------------------------------------------------------------------------------------------------------------------------------------------------------------------------------------------------------------------------|
| <b>Group</b>     | Search and Mark                                                                                                                                                                                                                                                                                                     |
| <b>Syntax</b>    | <p>SEARCH:SEARCH&lt;x&gt;:TRIGger:A:BUS:I3C:DATA:SIZE &lt;NR1&gt;</p> <p>SEARCH:SEARCH&lt;x&gt;:TRIGger:A:BUS:I3C:DATA:SIZE?</p>                                                                                                                                                                                    |
| <b>Arguments</b> | <p>SEARCH&lt;x&gt; specifies the search number.</p> <p>&lt;NR1&gt; specifies the data size in bytes.</p>                                                                                                                                                                                                            |
| <b>Examples</b>  | <p>SEARCH:SEARCH4:TRIGGER:A:BUS:I3C:DATA:SIZE 1 sets the length of the data string for I3C bus Search 4 to 1 byte.</p> <p>SEARCH:SEARCH1:TRIGGER:A:BUS:I3C:DATA:SIZE? might return SEARCH:SEARCH1:TRIGGER:A:BUS:I3C:DATA:SIZE 3, indicating that the length of the data string for I3C bus Search 1 is 3 bytes.</p> |

## SEARCH:SEARCH<x>:TRIGger:A:BUS:I3C:DATA:VALue

This command sets or queries the data value of the data token for the specified I3C bus trigger search to determine where to place a mark.

Requires purchase and installation of option SRI3C.

|                  |                                                                                                                                                                                                                                                                                                                    |
|------------------|--------------------------------------------------------------------------------------------------------------------------------------------------------------------------------------------------------------------------------------------------------------------------------------------------------------------|
| <b>Group</b>     | Search and Mark                                                                                                                                                                                                                                                                                                    |
| <b>Syntax</b>    | SEARCH:SEARCH<x>:TRIGger:A:BUS:I3C:DATA:VALue <QString><br>SEARCH:SEARCH<x>:TRIGger:A:BUS:I3C:DATA:VALue?                                                                                                                                                                                                          |
| <b>Arguments</b> | SEARCH<x> specifies the search number.<br><br><QString> specifies the data value. The valid characters are 0, 1, or X for Binary format; and A-F, 0-9, and X for Hexadecimal format.                                                                                                                               |
| <b>Examples</b>  | SEARCH:SEARCH1:TRIGGER:A:BUS:I3C:DATA:VALUE "1001" sets the data value for I3C bus trigger Search 1 to 1001.<br><br>SEARCH:SEARCH2:TRIGGER:A:BUS:I3C:DATA:VALUE? might return SEARCH:SEARCH2:TRIGGER:A:BUS:I3C:DATA:VALUE "XX", indicating that the data value for I3C bus Search 2 is "XX" in hexadecimal format. |

## SEARCH:SEARCH<x>:TRIGger:A:BUS:I3C:DCR:VALue

This command sets or queries the binary field string used for the I3C bus search if the trigger condition is DCR.

Requires purchase and installation of option SRI3C.

|                  |                                                                                                                                                                                                                                                                                                         |
|------------------|---------------------------------------------------------------------------------------------------------------------------------------------------------------------------------------------------------------------------------------------------------------------------------------------------------|
| <b>Group</b>     | Search and Mark                                                                                                                                                                                                                                                                                         |
| <b>Syntax</b>    | SEARCH:SEARCH<x>:TRIGger:A:BUS:I3C:DCR:VALue <QString><br>SEARCH:SEARCH<x>:TRIGger:A:BUS:I3C:DCR:VALue?                                                                                                                                                                                                 |
| <b>Arguments</b> | SEARCH<x> specifies the search number.<br><br><QString> specifies the value for which to search. The valid characters are 0, 1, or X for Binary format; and 0-9, A-F, and X for Hexadecimal format.                                                                                                     |
| <b>Examples</b>  | SEARCH:SEARCH1:TRIGGER:A:BUS:I3C:DCR:VALue "1001" sets the DCR value for I3C bus Search 1 to 1001.<br><br>SEARCH:SEARCH2:TRIGGER:A:BUS:I3C:DCR:VALue? might return SEARCH:SEARCH2:TRIGGER:A:BUS:I3C:DCR:VALue "1001", indicating that the DCR value for I3C bus Search 2 is 1001 in hexadecimal format. |



## SEARCH:SEARCH<x>:TRIGger:A:BUS:I3C:DCRType:VALue

This command sets or queries the binary field string used for the I3C bus search if the trigger condition is DCRTYPE.

Requires purchase and installation of option SRI3C.

|                  |                                                                                                                                                                                                                                                                                                                                   |
|------------------|-----------------------------------------------------------------------------------------------------------------------------------------------------------------------------------------------------------------------------------------------------------------------------------------------------------------------------------|
| <b>Group</b>     | Search and Mark                                                                                                                                                                                                                                                                                                                   |
| <b>Syntax</b>    | SEARCH:SEARCH<x>:TRIGger:A:BUS:I3C:DCRType:VALue <QString><br>SEARCH:SEARCH<x>:TRIGger:A:BUS:I3C:DCRType:VALue?                                                                                                                                                                                                                   |
| <b>Arguments</b> | SEARCH<x> specifies the search number.<br><br><QString> specifies the data value for which to search. The valid characters are 0, 1, or X for Binary format; and 0-9, A-F, and X for Hexadecimal format.                                                                                                                          |
| <b>Examples</b>  | SEARCH:SEARCH1:TRIGGER:A:BUS:I3C:DCRType:VALue "1001" sets the DCR Type value for I3C bus Search 1 to "1001".<br><br>SEARCH:SEARCH2:TRIGGER:A:BUS:I3C:DCRType:VALue? might return SEARCH:SEARCH2:TRIGGER:A:BUS:I3C:DCRType:VALue "1001", indicating that the DCR Type value for I3C bus Search 2 is "1001" in hexadecimal format. |

## SEARCH:SEARCH<x>:TRIGger:A:BUS:I3C:DWORd:VALue

This command sets or queries the binary field string used for the I3C trigger if the trigger condition is DATAWORDS.

Requires purchase and installation of option SRI3C.

|                  |                                                                                                                                                                                                     |
|------------------|-----------------------------------------------------------------------------------------------------------------------------------------------------------------------------------------------------|
| <b>Group</b>     | Search and Mark                                                                                                                                                                                     |
| <b>Syntax</b>    | SEARCH:SEARCH<x>:TRIGger:A:BUS:I3C:DWORd:VALue <QString><br>SEARCH:SEARCH<x>:TRIGger:A:BUS:I3C:DWORd:VALue?                                                                                         |
| <b>Arguments</b> | SEARCH<x> specifies the search number.<br><br><QString> specifies the value for which to search. The valid characters are 0, 1, or X for Binary format; and 0-9, A-F, and X for Hexadecimal format. |

**Examples**     `SEARCH:SEARCH1:TRIGGER:A:BUS:I3C:DWORD:VALue "1001"` sets the data word value for I3C bus Search 1 to 1001.

`SEARCH:SEARCH2:TRIGGER:A:BUS:I3C:DWORD:VALue?` might return `SEARCH:SEARCH2:TRIGGER:A:BUS:I3C:DWORD:VALue "1001"`, indicating that the **event byte** value for I3C bus Search 2 is 1001 in hexadecimal format.

## **SEARCH:SEARCH<x>:TRIGger:A:BUS:I3C:ERRORTYPe**

This command sets or queries the error type condition for the specified I3C bus search to determine where to place a mark.

Requires purchase and installation of option SRI3C.

**Group**     Search and Mark

**Syntax**     `SEARCH:SEARCH<x>:TRIGger:A:BUS:I3C:ERRORTYPe`  
`{NACK|TBIT|PARity| BADDR|DADDR|PREamb1e|CRC}`  
`SEARCH:SEARCH<x>:TRIGger:A:BUS:I3C:ERRORTYPe?`

**Arguments**     `SEARCH<x>` specifies the search number.

`NACK` specifies the error type on which to search as Missing Ack.

`TBIT` specifies the error type on which to search as T-Bit.

`PARity` specifies the error type on which to search as Parity.

`BADDR` specifies the error type on which to search as Broadcast Address.

`DADDR` specifies the error type on which to search as Dynamic Address.

`PREamb1e` specifies the error type on which to search as Preamble.

`CRC` specifies the error type on which to search as CRC.

**Examples**     `SEARCH:SEARCH1:TRIGGER:A:BUS:I3C:ERRORTYPe NACK` sets the error condition for I3C bus trigger Search 1 to Missing ack.

`SEARCH:SEARCH3:TRIGGER:A:BUS:I3C:ERRORTYPe?` might return `SEARCH:SEARCH3:TRIGGER:A:BUS:I3C:ERRORTYPe PARITY`, indicating that the error condition for I3C bus trigger Search 3 is set to Parity.

## **SEARCH:SEARCH<x>:TRIGger:A:BUS:I3C:EVENTBYTe:VALue**

This command sets or queries the binary field string used for the I3C trigger if the trigger condition is EVENTBYTE.

Requires purchase and installation of option SRI3C.

|                  |                                                                                                                                                                                                                                                                                                                                                 |
|------------------|-------------------------------------------------------------------------------------------------------------------------------------------------------------------------------------------------------------------------------------------------------------------------------------------------------------------------------------------------|
| <b>Group</b>     | Search and Mark                                                                                                                                                                                                                                                                                                                                 |
| <b>Syntax</b>    | SEARCH:SEARCH<x>:TRIGger:A:BUS:I3C:EVENTBYTe:VALue <QString><br>SEARCH:SEARCH<x>:TRIGger:A:BUS:I3C:EVENTBYTe:VALue?                                                                                                                                                                                                                             |
| <b>Arguments</b> | SEARCH<x> specifies the search number.<br><br><QString> specifies the value for which to search. The valid characters are 0, 1, or X for Binary format; and 0-9, A-F, and X for Hexadecimal format.                                                                                                                                             |
| <b>Examples</b>  | SEARCH:SEARCH1:TRIGGER:A:BUS:I3C:EVENTBYTe:VALue "1001" sets the event byte value for I3C bus Search 1 to 1001.<br><br>SEARCH:SEARCH2:TRIGGER:A:BUS:I3C:EVENTBYTe:VALue? might return SEARCH:SEARCH2:TRIGGER:A:BUS:I3C:EVENTBYTe:VALue "1001", indicating that the event byte value for I3C bus trigger Search 2 is 1001 in hexadecimal format. |

## SEARCH:SEARCH<x>:TRIGger:A:BUS:I3C:FREQBYTe:VALue

This command sets or queries the binary field string used for the I3C trigger if the trigger condition is FREQUENCYBYTE.

Requires purchase and installation of option SRI3C.

|                  |                                                                                                                                                                                                                                                 |
|------------------|-------------------------------------------------------------------------------------------------------------------------------------------------------------------------------------------------------------------------------------------------|
| <b>Group</b>     | Search and Mark                                                                                                                                                                                                                                 |
| <b>Syntax</b>    | SEARCH:SEARCH<x>:TRIGger:A:BUS:I3C:FREQBYTe:VALue <QString><br>SEARCH:SEARCH<x>:TRIGger:A:BUS:I3C:FREQBYTe:VALue?                                                                                                                               |
| <b>Arguments</b> | SEARCH<x> specifies the search number.<br><br><QString> specifies the value for which to search. The valid characters are 0, 1, or X for Binary format; and 0-9, A-F, and X for Hexadecimal format.                                             |
| <b>Examples</b>  | SEARCH:SEARCH1:TRIGGER:A:BUS:I3C:FREQBYTe:VALue "1001" sets the frequency byte value for I3C bus Search 1 to 1001.<br><br>SEARCH:SEARCH2:TRIGGER:A:BUS:I3C:FREQBYTe:VALue? might return SEARCH:SEARCH2:TRIGGER:A:BUS:I3C:FREQBYTe:VALue "1001", |

indicating that the frequency byte value for I3C bus Search 2 is 1001 in hexadecimal format.

## SEARCH:SEARCH<x>:TRIGger:A:BUS:I3C:GSLsb:VALue

This command sets or queries the binary field string used for the I3C trigger if the trigger condition is GETSTATUSLSB.

Requires purchase and installation of option SRI3C.

**Group** Search and Mark

**Syntax** SEARCH:SEARCH<x>:TRIGger:A:BUS:I3C:GSLsb:VALue <QString>  
SEARCH:SEARCH<x>:TRIGger:A:BUS:I3C:GSLsb:VALue?

**Arguments** SEARCH<x> specifies the search number.  
  
<QString> specifies the value for which to search. The valid characters are 0, 1, or X for Binary format; and 0-9, A-F, and X for Hexadecimal format.

**Examples** SEARCH:SEARCH1:TRIGGER:A:BUS:I3C:GSLsb:VALue "1001" sets the GetStatus MSb value for I3C bus Search 1 to 1001.  
  
SEARCH:SEARCH2:TRIGGER:A:BUS:I3C:GSLsb:VALue? might return SEARCH:SEARCH2:TRIGGER:A:BUS:I3C:GSLsb:VALue "1001", indicating that the GetStatus MSb value for I3C bus Search 2 is 1001 in hexadecimal format.

## SEARCH:SEARCH<x>:TRIGger:A:BUS:I3C:GSMSb:VALue

This command sets or queries the binary field string used for the I3C trigger if the trigger condition is GETSTATUSMSB.

Requires purchase and installation of option SRI3C.

**Group** Search and Mark

**Syntax** SEARCH:SEARCH<x>:TRIGger:A:BUS:I3C:GSMSb:VALue <QString>  
SEARCH:SEARCH<x>:TRIGger:A:BUS:I3C:GSMSb:VALue?

**Arguments** SEARCH<x> specifies the search number.  
  
<QString> specifies the value for which to search. The valid characters are 0, 1, or X for Binary format; and 0-9, A-F, and X for Hexadecimal format.

- Examples** SEARCH:SEARCH1:TRIGGER:A:BUS:I3C:GSMSb:VALue "1001" sets theGetStatus MSb value for I3C bus Search 1 to 1001.
- SEARCH:SEARCH2:TRIGGER:A:BUS:I3C:GSMSb:VALue? might return SEARCH:SEARCH2:TRIGGER:A:BUS:I3C:GSMSb:VALue "1001", indicating that the GetStatus MSb value for I3C bus Search 2 is 1001 in hexadecimal format.

## SEARCH:SEARCH<x>:TRIGger:A:BUS:I3C:ID:VALue

This command sets or queries the binary field string used for the I3C search if the trigger condition is ENTDAAs packet ID.

Requires purchase and installation of option SRI3C.

- Group** Search and Mark
- Syntax** SEARCH:SEARCH<x>:TRIGger:A:BUS:I3C:ID:VALue <QString>  
SEARCH:SEARCH<x>:TRIGger:A:BUS:I3C:ID:VALue?
- Arguments** SEARCH<x> specifies the search number.
- <QString> specifies the value for which to search. The valid characters are 0, 1, or X for Binary format; and 0-9, A-F, and X for Hexadecimal format.
- Examples** SEARCH:SEARCH1:TRIGGER:A:BUS:I3C:ID:VALue "1001" sets the ID value for I3C bus trigger Search 1 to 1001.
- SEARCH:SEARCH2:TRIGGER:A:BUS:I3C:ID:VALue? might return SEARCH:SEARCH2:TRIGGER:A:BUS:I3C:ID:VALue "1001", indicating that the ID value for I3C bus Search 2 is 1001 in hexadecimal format.

## SEARCH:SEARCH<x>:TRIGger:A:BUS:I3C:INACCbYTe:VALue

This command sets or queries the binary field string used for the I3C search if the trigger condition is INACCURACYBYTE.

Requires purchase and installation of option SRI3C.

- Group** Search and Mark
- Syntax** SEARCH:SEARCH<x>:TRIGger:A:BUS:I3C:INACCbYTe:VALue <QString>  
SEARCH:SEARCH<x>:TRIGger:A:BUS:I3C:INACCbYTe:VALue?

- Arguments** SEARCH<x> specifies the search number.
- <QString> specifies the value for which to search. The valid characters are 0, 1, or X for Binary format; and 0-9, A-F, and X for Hexadecimal format.
- Examples** SEARCH:SEARCH1:TRIGGER:A:BUS:I3C:INACCBYTE:VALUE "1001" sets the inaccuracy byte value for I3C bus Search 1 to 1001.
- SEARCH:SEARCH2:TRIGGER:A:BUS:I3C:INACCBYTE:VALUE? might return SEARCH:SEARCH2:TRIGGER:A:BUS:I3C:INACCBYTE:VALUE "1001", indicating that the inaccuracy byte value for I3C bus Search 2 is 1001 in hexadecimal format.

## SEARCH:SEARCH<x>:TRIGger:A:BUS:I3C:MAXREAD:VALue

This command sets or queries the binary field string used for the I3C trigger if the trigger condition is MAXREAD.

Requires purchase and installation of option SRI3C.

- Group** Search and Mark
- Syntax** SEARCH:SEARCH<x>:TRIGger:A:BUS:I3C:MAXREAD:VALue <QString>  
SEARCH:SEARCH<x>:TRIGger:A:BUS:I3C:MAXREAD:VALue?
- Arguments** SEARCH<x> specifies the search number.
- <QString> specifies the value for which to search. The valid characters are 0, 1, or X for Binary format; and 0-9, A-F, and X for Hexadecimal format.
- Examples** SEARCH:SEARCH1:TRIGGER:A:BUS:I3C:MAXREAD:VALUE "1001" sets the Maximum Read value for I3C bus Search 1 to 1001.
- SEARCH:SEARCH4:TRIGGER:A:BUS:I3C:MAXREAD:VALUE? might return SEARCH:SEARCH4:TRIGGER:A:BUS:I3C:MAXREAD:VALUE "1001", indicating that the Maximum Read value for I3C bus Search 4 is 1001 in hexadecimal format.

## SEARCH:SEARCH<x>:TRIGger:A:BUS:I3C:MAXRTURN:VALue

This command sets or queries the binary field string used for the I3C trigger if the trigger condition is MAXREADTURN.

Requires purchase and installation of option SRI3C.

|                  |                                                                                                                                                                                                                                                                                                                                                                |
|------------------|----------------------------------------------------------------------------------------------------------------------------------------------------------------------------------------------------------------------------------------------------------------------------------------------------------------------------------------------------------------|
| <b>Group</b>     | Search and Mark                                                                                                                                                                                                                                                                                                                                                |
| <b>Syntax</b>    | SEARCH:SEARCH<x>:TRIGger:A:BUS:I3C:MAXRTURN:VALue <QString><br>SEARCH:SEARCH<x>:TRIGger:A:BUS:I3C:MAXRTURN:VALue?                                                                                                                                                                                                                                              |
| <b>Arguments</b> | SEARCH<x> specifies the search number.<br><br><QString> specifies the value for which to search. The valid characters are 0, 1, or X for Binary format; and 0-9, A-F, and X for Hexadecimal format.                                                                                                                                                            |
| <b>Examples</b>  | SEARCH:SEARCH5:TRIGGER:A:BUS:I3C:MAXRTURN:VALue "1001" sets the Maximum Read Turnaround value for I3C bus Search 5 to 1001.<br><br>SEARCH:SEARCH2:TRIGGER:A:BUS:I3C:MAXRTURN:VALue? might return SEARCH:SEARCH2:TRIGGER:A:BUS:I3C:MAXRTURN:VALue "1001", indicating that the Maximum Read Turnaround value for I3C bus Search 2 is 1001 in hexadecimal format. |

## SEARCH:SEARCH<x>:TRIGger:A:BUS:I3C:MAXWRITE:VALue

This command sets or queries the binary field string used for the I3C trigger if the trigger condition is MAXWRITE.

Requires purchase and installation of option SRI3C.

|                  |                                                                                                                                                                                                                                                                                                                                            |
|------------------|--------------------------------------------------------------------------------------------------------------------------------------------------------------------------------------------------------------------------------------------------------------------------------------------------------------------------------------------|
| <b>Group</b>     | Search and Mark                                                                                                                                                                                                                                                                                                                            |
| <b>Syntax</b>    | SEARCH:SEARCH<x>:TRIGger:A:BUS:I3C:MAXWRITE:VALue <QString><br>SEARCH:SEARCH<x>:TRIGger:A:BUS:I3C:MAXWRITE:VALue?                                                                                                                                                                                                                          |
| <b>Arguments</b> | SEARCH<x> specifies the search number.<br><br><QString> specifies the value for which to search. The valid characters are 0, 1, or X for Binary format; and 0-9, A-F, and X for Hexadecimal format.                                                                                                                                        |
| <b>Examples</b>  | SEARCH:SEARCH1:TRIGGER:A:BUS:I3C:MAXWRITE:VALue "1001" sets the Maximum Write value for I3C bus Search 1 to 1001.<br><br>SEARCH:SEARCH2:TRIGGER:A:BUS:I3C:MAXWRITE:VALue? might return SEARCH:SEARCH2:TRIGGER:A:BUS:I3C:MAXWRITE:VALue "1001", indicating that the Maximum Write value for I3C bus Search 2 is 1001 in hexadecimal format. |

## SEARCH:SEARCH<x>:TRIGger:A:BUS:I3C:PACKets

This command sets or queries the I3C Direct Packets to Direct or Response.

Requires purchase and installation of option SRI3C.

|                  |                                                                                                                                                                                                                                                                                           |
|------------------|-------------------------------------------------------------------------------------------------------------------------------------------------------------------------------------------------------------------------------------------------------------------------------------------|
| <b>Group</b>     | Search and Mark                                                                                                                                                                                                                                                                           |
| <b>Syntax</b>    | SEARCH:SEARCH<x>:TRIGger:A:BUS:I3C:PACKets {RESPonse DIRect}<br>SEARCH:SEARCH<x>:TRIGger:A:BUS:I3C:PACKets?                                                                                                                                                                               |
| <b>Arguments</b> | SEARCH<x> specifies the search number.<br><br>RESPonse specifies the packet address mode as Response.<br><br>DIRect specifies the packet address mode as Direct.                                                                                                                          |
| <b>Examples</b>  | SEARCH:SEARCH3:TRIGGER:A:BUS:I3C:PACKets DIRect sets the packets for I3C bus Search 3 to Direct.<br><br>SEARCH:SEARCH2:TRIGGER:A:BUS:I3C:PACKets? might return<br>SEARCH:SEARCH2:TRIGGER:A:BUS:I3C:PACKets RESPONSE, indicating that the packets for I3C bus Search 2 is set to Response. |

## SEARCH:SEARCH<x>:TRIGger:A:BUS:I3C:SADDress:VALue

This command sets or queries the binary field string used for the I3C bus search if the trigger condition is SLAVEADDRESS.

Requires purchase and installation of option SRI3C.

|                  |                                                                                                                                                                                                             |
|------------------|-------------------------------------------------------------------------------------------------------------------------------------------------------------------------------------------------------------|
| <b>Group</b>     | Search and Mark                                                                                                                                                                                             |
| <b>Syntax</b>    | SEARCH:SEARCH<x>:TRIGger:A:BUS:I3C:SADDress:VALue <QString><br>SEARCH:SEARCH<x>:TRIGger:A:BUS:I3C:SADDress:VALue?                                                                                           |
| <b>Arguments</b> | SEARCH<x> specifies the search number.<br><br><QString> specifies the address value for which to search. The valid characters are 0, 1, or X for Binary format; and A-F, 0-9, and X for Hexadecimal format. |
| <b>Examples</b>  | SEARCH:SEARCH1:TRIGGER:A:BUS:I3C:SADDress:VALue "1001" sets the slave address value for I3C bus trigger search 1 to "1001".                                                                                 |



SEARCH:SEARCH2:TRIGGER:A:BUS:I3C:SADDRESS:VALUE? might return  
SEARCH:SEARCH2:TRIGGER:A:BUS:I3C:SADDRESS:VALUE "1001",  
indicating that the slave address value for I3C bus Search 2 is 1001 in hexadecimal  
format.

## SEARCH:SEARCH<x>:TRIGGER:A:BUS:I3C:SDR:BROADCASTPacket

This command sets or queries the SDR broadcast packets for the specified I3C bus  
trigger search to determine where to place a mark.

**Conditions** Requires purchase and installation of option SRI3C.

**Group** Search and Mark

**Syntax** SEARCH:SEARCH<x>:TRIGGER:A:BUS:I3C:SDR:BROADCASTPacket  
{ENSLave| DISLave| ENTAsx| RSTDya| ENTRDya| SETMwr1|  
SETMrd1| LSLave| ENTRTSTMode| EXTime| SETAasa| ENDXFER|  
SETGRPa| RSTACT| DEFGRPa| RSTGRPa| MLANE| SETBUSCON}  
SEARCH:SEARCH<x>:TRIGGER:A:BUS:I3C:SDR:BROADCASTPacket?

**Arguments** SEARCH<x> specifies the search number.

ENSLave specifies the I3C broadcast packet type as Enable Slave.

DISLave specifies the I3C broadcast packet type as Disable Slave.

ENTAsx specifies the I3C broadcast packet type as Enter Activity State.

RSTDya specifies the I3C broadcast packet type as Reset Dynamic Address.

ENTRDya specifies the I3C broadcast packet type as Enter Dynamic Address.

SETMwr1 specifies the I3C broadcast packet type as Set Max Write Length.

SETMrd1 specifies the I3C broadcast packet type as Set Max Read Length.

LSLave specifies the I3C broadcast packet type as Define List of Slaves.

ENTRTSTMode specifies the I3C broadcast packet type as Enter Test Mode  
Broadcast.

EXTime specifies the I3C broadcast packet type as Set Exchange Time.

SETAasa specifies the I3C broadcast packet type as Set Static As Dynamic  
Address.

ENDXFER specifies the I3C broadcast packet type as Data Transfer Ending  
Procedure Control.

SETGRPa specifies the I3C broadcast packet type as Set Group Address.

RSTACT specifies the I3C broadcast packet type as Slave Reset Action.

DEFGRPa specifies the I3C broadcast packet type as Define List of Group Addresses.

RSTGRPa specifies the I3C broadcast packet type as Reset Group Address.

MLANE specifies the I3C broadcast packet type as Multi-Lane Data Transfer Control.

SETBUSCON specifies the I3C broadcast packet type as Set Bus Context.

**Examples** SEARCH:SEARCH1:TRIGGER:A:BUS:I3C:SDR:BROADCASTPacket ENSLave sets the trigger condition for I3C bus trigger search 1 to Enable Slave.

SEARCH:SEARCH1:TRIGGER:A:BUS:I3C:SDR:BROADCASTPacket? might return SEARCH:SEARCH5:TRIGGER:A:BUS:I3C:SDR:BROADCASTPacket ENTRDYA, indicating that the trigger condition for I3C bus trigger Search 5 is set to Reset Dynamic Address.

## SEARCH:SEARCH<x>:TRIGger:A:BUS:I3C:SDR:DIRECTPacket

This command sets or queries the SDR direct packet types for the specified I3C bus trigger search to determine where to place a mark.

Requires purchase and installation of option SRI3C.

**Group** Search and Mark

**Syntax** SEARCH:SEARCH<x>:TRIGger:A:BUS:I3C:SDR:DIRECTPacket {ENSLave| DISLave| ENTAsx| RSTDya| SETMwr1| SETMrd1| SEText| SETDya| SETNdya| GETMwr1| GETMRd1| GETPrId| GETBusch| GETDevch| GETSlave| ACCM| SETBrt| MDATAspeed| HDRCapability| GETXtime| GETCAPS| ENDXFER| SETGRPa| RSTACT| DEFGRPa| RSTGRPa| MLANE}  
SEARCH:SEARCH<x>:TRIGger:A:BUS:I3C:SDR:DIRECTPacket?

**Arguments** SEARCH<x> specifies the search number.

ENSLave specifies the trigger condition as Enable Slave.

DISLave specifies the trigger condition as Disable Slave.

ENTAsx specifies the trigger condition as Enter Activity State.

RSTDya specifies the trigger condition as Reset Dynamic Address.

SETMwr1 specifies the trigger condition as Set Max Write Length.

SETMrdl specifies the trigger condition as Set Max Read Length.

SEText specifies the trigger condition as Set Exchange Time.

SETDya specifies the trigger condition as Set Dynamic Address.

SETNdya specifies the trigger condition as Set New Dynamic Address.

GETMwr1 specifies the trigger condition as Get Max Write Length.

GETMRdl specifies the trigger condition as Get Max Read Length.

GETPrId specifies the trigger condition as Get Provisional ID.

GETBUSch specifies the trigger condition as Get Provisional ID.

GETDevch specifies the trigger condition as Get Dev Characteristics.

GETS1ave specifies the trigger condition as Get Slave Current Status.

ACCM specifies the trigger condition as Get Accept Mastership.

SETBrT specifies the trigger condition as Set Bridge Direct Target.

MDATASpeed specifies the trigger condition as Get Max Data Speed.

HDRCapabi1ity specifies the trigger condition as Get HDR Capability.

GETXTIME specifies the trigger condition as Get Exchange Time.

GETCAPS specifies the trigger condition as Get Optional Feature Capabilities.

ENDXFER specifies the trigger condition as Data Transfer Ending Procedure Control.

SETGRPa specifies the trigger condition as Set Group Address.

RSTACT specifies the trigger condition as Reset Group Address.

DEFGRPa specifies the trigger condition as Define List of Group Addresses.

RSTGRPa specifies the trigger condition as Reset Group Address.

MLANE specifies the trigger condition as Multi-Lane Data Transfer Control.

### Examples

SEARCH:SEARCH4:TRIGGER:A:BUS:I3C:SDR:DIRECTPacket ENSLave sets the trigger condition for I3C bus trigger Search 4 to Enable Slave.

SEARCH:SEARCH1:TRIGGER:A:BUS:I3C:SDR:DIRECTPacket? might return SEARCH:SEARCH8:TRIGGER:A:BUS:I3C:SDR:DIRECTPacket ENTASX, indicating that the trigger condition for I3C bus Search 8 is set to Enter Activity State.

## SEARCH:SEARCH<x>:TRIGger:A:BUS:I3C:STATEBYTe:VALue

This command sets or queries the binary field string used for the I3C trigger if the trigger condition is STATEBYTE.

Requires purchase and installation of option SRI3C.

**Group** Search and Mark

**Syntax** SEARCH:SEARCH<x>:TRIGger:A:BUS:I3C:STATEBYTe:VALue <QString>  
SEARCH:SEARCH<x>:TRIGger:A:BUS:I3C:STATEBYTe:VALue?

**Arguments** SEARCH<x> specifies the search number.  
  
<QString> specifies the value for which to search. The valid characters are 0, 1, or X for Binary format; and 0-9, A-F, and X for Hexadecimal format.

**Examples** SEARCH:SEARCH1:TRIGGER:A:BUS:I3C:STATEBYTe:VALue "1001" sets the state byte value for I3C bus Search 1 to 1001.  
  
SEARCH:SEARCH2:TRIGGER:A:BUS:I3C:STATEBYTe:VALue? might return SEARCH:SEARCH2:TRIGGER:A:BUS:I3C:STATEBYTe:VALue "1001", indicating that the state byte value for I3C bus Search 2 is 1001 in hexadecimal format.

## SEARCH:SEARCH<x>:TRIGger:A:BUS:I3C:STATic:ADDRess

This command sets or queries the binary field string used for the I3C search if the trigger condition is STATICADDRESS.

Requires purchase and installation of option SRI3C.

**Group** Search and Mark

**Syntax** SEARCH:SEARCH<x>:TRIGger:A:BUS:I3C:STATic:ADDRess <QString>  
SEARCH:SEARCH<x>:TRIGger:A:BUS:I3C:STATic:ADDRess?

**Arguments** SEARCH<x> specifies the search number.  
  
<QString> specifies the address value for which to search. The valid characters are 0, 1, or X for Binary format; and 0-9, A-F, and X for Hexadecimal format.

- Examples**     `SEARCH:SEARCH1:TRIGGER:A:BUS:I3C:STATic:ADDRESS "1001"` sets the address value for I3C bus trigger Search 1 to 1001.
- `SEARCH:SEARCH2:TRIGGER:A:BUS:I3C:STATic:ADDRESS?` might return `SEARCH:SEARCH2:TRIGGER:A:BUS:I3C:STATic:ADDRESS "1001"`, indicating that the address value for I3C bus trigger Search 2 is "1001" in hexadecimal format.

## SEARCH:SEARCH<x>:TRIGger:A:BUS:I3C:SUPPORTBYTe:VALue

This command sets or queries the binary field string used for the I3C trigger if the trigger condition is SUPPORTEDBYTE.

Requires purchase and installation of option SRI3C.

**Group**     Search and Mark

**Syntax**     `SEARCH:SEARCH<x>:TRIGger:A:BUS:I3C:SUPPORTBYTe:VALue`  
                   `<QString>`  
                   `SEARCH:SEARCH<x>:TRIGger:A:BUS:I3C:SUPPORTBYTe:VALue?`

**Arguments**     `SEARCH<x>` specifies the search number.

`<QString>` specifies the value for which to search. The valid characters are 0, 1, or X for Binary format; and 0-9, A-F, and X for Hexadecimal format.

- Examples**     `SEARCH:SEARCH1:TRIGGER:A:BUS:I3C:SUPPORTBYTe:VALue "1001"` sets the supported byte value for I3C bus Search 1 to 1001.
- `SEARCH:SEARCH2:TRIGGER:A:BUS:I3C:SUPPORTBYTe:VALue?` might return `SEARCH:SEARCH2:TRIGGER:A:BUS:I3C:SUPPORTBYTe:VALue "1001"`, indicating that the supported byte value for I3C bus Search 2 is 1001 in hexadecimal format.

## SEARCH:SEARCH<x>:TRIGger:A:BUS:I3C:TESTMODE:VALue

This command sets or queries the binary field string used for the I3C trigger if the trigger condition is TESTMODE.

Requires purchase and installation of option SRI3C.

**Group**     Search and Mark

**Syntax** SEARCH:SEARCH<x>:TRIGger:A:BUS:I3C:TESTMODE:VALue <QString>  
SEARCH:SEARCH<x>:TRIGger:A:BUS:I3C:TESTMODE:VALue?

**Arguments** SEARCH<x> specifies the search number.  
  
<QString> specifies the value for which to search. The valid characters are 0, 1, or X for Binary format; and 0-9, A-F, and X for Hexadecimal format.

**Examples** SEARCH:SEARCH1:TRIGGER:A:BUS:I3C:TESTMODE:VALue "1001" sets the test mode value for I3C bus Search 1 to 1001.

SEARCH:SEARCH2:TRIGGER:A:BUS:I3C:TESTMODE:VALue? might return SEARCH:SEARCH2:TRIGGER:A:BUS:I3C:TESTMODE:VALue "1001", indicating that the test mode value for I3C bus Search 2 is 1001 in hexadecimal format.

## SEARCH:SEARCH<x>:TRIGger:A:BUS:LIN:CONDition

This command sets or queries the condition for a LIN bus search. The search number is specified by x.

**Conditions** Requires option 5-SRAUTO or SUP5-SRAUTO Triggering and Analysis application.

**Group** Search and Mark

**Syntax** SEARCH:SEARCH<x>:TRIGger:A:BUS:LIN:CONDition  
{DATA|IDANDDATA|ERROR|IDentifier|SLEEP|SYNCFieLd|WAKEup}  
SEARCH:SEARCH<x>:TRIGger:A:BUS:LIN:CONDition?

**Arguments** DATA sets the trigger condition to data.  
IDANDDATA sets the trigger condition to ID and data.  
ERROR sets the trigger condition to error.  
IDentifier sets the trigger condition to identifier.  
SLEEP sets the trigger condition to sleep.  
SYNCFieLd sets the trigger condition to sync field.  
WAKEup sets the trigger condition to wakeup.



|                  |                                                                                                                                                                                                                                                                                                                                                                                                                                         |
|------------------|-----------------------------------------------------------------------------------------------------------------------------------------------------------------------------------------------------------------------------------------------------------------------------------------------------------------------------------------------------------------------------------------------------------------------------------------|
| <b>Arguments</b> | <p>EQUAL sets the data qualifier to equal.</p> <p>LESSEQUAL sets the data qualifier to less equal.</p> <p>MOREEQUAL sets the data qualifier to more equal.</p> <p>UNEQUAL sets the data qualifier to unequal.</p> <p>LESSTHAN sets the data qualifier to less than.</p> <p>MORETHAN sets the data qualifier to more than.</p> <p>INRANGE sets the data qualifier to in range.</p> <p>OUTRANGE sets the data qualifier out of range.</p> |
| <b>Examples</b>  | <p>SEARCH:SEARCH2:TRIGGER:A:BUS:LIN:DATA:QUALIFIER LESSTHAN sets the data qualifier to less than.</p> <p>SEARCH:SEARCH1:TRIGGER:A:BUS:LIN:DATA:QUALIFIER? might return SEARCH:SEARCH1:TRIGGER:A:BUS:LIN:DATA:QUALIFIER EQUAL, indicating the data qualifier is equal.</p>                                                                                                                                                               |

## SEARCH:SEARCH<x>:TRIGGER:A:BUS:LIN:DATA:SIZE

This command sets or queries the length of the stat string in bytes used for a LIN bus search. The search number is specified by x.

|                   |                                                                                                                                                                                                                             |
|-------------------|-----------------------------------------------------------------------------------------------------------------------------------------------------------------------------------------------------------------------------|
| <b>Conditions</b> | Requires option 5-SRAUTO or SUP5-SRAUTO Triggering and Analysis application.                                                                                                                                                |
| <b>Group</b>      | Search and Mark                                                                                                                                                                                                             |
| <b>Syntax</b>     | SEARCH:SEARCH<x>:TRIGGER:A:BUS:LIN:DATA:SIZE <NR1><br>SEARCH:SEARCH<x>:TRIGGER:A:BUS:LIN:DATA:SIZE?                                                                                                                         |
| <b>Arguments</b>  | <NR1> specifies the data size.                                                                                                                                                                                              |
| <b>Examples</b>   | <p>SEARCH:SEARCH1:TRIGGER:A:BUS:LIN:DATA:SIZE 1.0 sets the data size to 1.</p> <p>SEARCH:SEARCH1:TRIGGER:A:BUS:LIN:DATA:SIZE? might return SEARCH:SEARCH1:TRIGGER:A:BUS:LIN:DATA:SIZE 1, indicating the data size is 1.</p> |



## SEARCH:SEARCH<x>:TRIGger:A:BUS:LIN:DATA:VALue

This command sets or queries the data string used for a LIN bus search. The search number is specified by x. The search condition must be DATA or IDANDDATA.

|                   |                                                                                                                                                                                                                                                                |
|-------------------|----------------------------------------------------------------------------------------------------------------------------------------------------------------------------------------------------------------------------------------------------------------|
| <b>Conditions</b> | Requires option 5-SRAUTO or SUP5-SRAUTO Triggering and Analysis application.                                                                                                                                                                                   |
| <b>Group</b>      | Search and Mark                                                                                                                                                                                                                                                |
| <b>Syntax</b>     | SEARCH:SEARCH<x>:TRIGger:A:BUS:LIN:DATA:VALue <QString><br>SEARCH:SEARCH<x>:TRIGger:A:BUS:LIN:DATA:VALue?                                                                                                                                                      |
| <b>Arguments</b>  | <QString> specifies the data value.                                                                                                                                                                                                                            |
| <b>Examples</b>   | SEARCH:SEARCH2:TRIGger:A:BUS:LIN:DATA:VALue 1010 sets the data value to XXXXXX1010.<br><br>SEARCH:SEARCH1:TRIGger:A:BUS:LIN:DATA:VALue? might return SEARCH:SEARCH1:TRIGGER:A:BUS:LIN:DATA:VALUE "XXXXXXXXXX", indicating that the data value is a don't care. |

## SEARCH:SEARCH<x>:TRIGger:A:BUS:LIN:ERRTYPE

This command sets or queries the error type for a LIN bus search. The search number is specified by x. The search condition must be set to ERROR.

|                   |                                                                                                                                                |
|-------------------|------------------------------------------------------------------------------------------------------------------------------------------------|
| <b>Conditions</b> | Requires option 5-SRAUTO or SUP5-SRAUTO Triggering and Analysis application.                                                                   |
| <b>Group</b>      | Search and Mark                                                                                                                                |
| <b>Syntax</b>     | SEARCH:SEARCH<x>:TRIGger:A:BUS:LIN:ERRTYPE<br>{CHECKsum PARity SYNC}<br>SEARCH:SEARCH<x>:TRIGger:A:BUS:LIN:ERRTYPE?                            |
| <b>Arguments</b>  | CHECKsum specifies the error type is checksum.<br><br>PARity specifies the error type is parity.<br><br>SYNC specifies the error type is sync. |

**Examples**    `SEARCH:SEARCH2:TRIGGER:A:BUS:LIN:ERRTYPE` Parity sets the error type to parity.

`SEARCH:SEARCH2:TRIGGER:A:BUS:LIN:ERRTYPE?` might return `:SEARCH:SEARCH2:TRIGGER:A:BUS:LIN:ERRTYPE SYNC`, indicating that the error type is sync.

## **SEARCH:SEARCH<x>:TRIGGER:A:BUS:LIN:IDENTIFIER:VALUE**

This command sets or queries the string used for a LIN bus identifier value. The search number is specified by x. The search condition must be IDENTIFIER or IDANDDATA.

**Conditions**    Requires option 5-SRAUTO or SUP5-SRAUTO Triggering and Analysis application.

**Group**        Search and Mark

**Syntax**        `SEARCH:SEARCH<x>:TRIGGER:A:BUS:LIN:IDENTIFIER:VALUE`  
                 `<QString>`  
                 `SEARCH:SEARCH<x>:TRIGGER:A:BUS:LIN:IDENTIFIER:VALUE?`

**Arguments**    `<QString>` specifies the identifier value.

**Examples**    `SEARCH:SEARCH1:TRIGGER:A:BUS:LIN:IDENTIFIER:VALUE 1010` sets the identifier value to XX1010.

`SEARCH:SEARCH1:TRIGGER:A:BUS:LIN:IDENTIFIER:VALUE?` might return `SEARCH:SEARCH1:TRIGGER:A:BUS:LIN:IDENTIFIER:VALUE "XXXXXX"`, indicates the identifier value is don't care.

## **SEARCH:SEARCH<x>:TRIGGER:A:BUS:MANCHESTER:CONDITION**

This command specifies a field or condition for an Manchester bus to search on. The search number is specified by x.

**Conditions**    Requires the SR-MANCH Triggering and Analysis application.

**Group**        Search and Mark

**Syntax** SEARCH:SEARCH<x>:TRIGGER:A:BUS:MANCHESTER:CONDITION {SYNCBITS| HEADER| DATA| packetOffData| TRAILER| ERRORS}  
SEARCH:SEARCH<x>:TRIGGER:A:BUS:MANCHESTER:CONDITION?

**Related Commands** [BUS:B<x>:MANCHESTER:DISPLAYMODE](#)

**Arguments** SYNCBITS specifies Sync Bits symbols as the field within an Manchester frame to search on.

HEADER specifies header symbols as the field within an Manchester frame to search on.

DATA specifies data symbols as the field within an Manchester frame to search on.

packetOffData specifies the binary string used for Manchester triggering if the trigger condition is DATA.

TRAILER specifies trailer symbols as the field within an Manchester frame to search on.

ERRORS specifies error symbols as the field within an Manchester frame to search on.

**Examples** SEARCH:SEARCH1:TRIGGER:A:BUS:MANCHESTER:CONDITION SYNCBITS specifies Sync Bit symbols as the field within an Manchester frame to search on.

SEARCH:SEARCH1:TRIGGER:A:BUS:MANCHESTER:CONDITION? might return :SEARCH:SEARCH1:TRIGGER:A:BUS:MANCHESTER:CONDITION SYNCBITS, indicating that Sync Bits is the currently specified field within an Manchester frame to search on.

## SEARCH:SEARCH<x>:TRIGGER:A:BUS:MANCHESTER:DATA:SIZE

This command specifies the number of bits per word for the specified Manchester bus. The search number is specified by x.

**Conditions** Requires the SR-MANCH Triggering and Analysis application.

**Group** Search and Mark

**Syntax** SEARCH:SEARCH<x>:TRIGGER:A:BUS:MANCHESTER:DATA:SIZE <NR1>  
SEARCH:SEARCH<x>:TRIGGER:A:BUS:MANCHESTER:DATA:SIZE?

|                         |                                                                                                                                                                                                                                                                                                                                                          |
|-------------------------|----------------------------------------------------------------------------------------------------------------------------------------------------------------------------------------------------------------------------------------------------------------------------------------------------------------------------------------------------------|
| <b>Related Commands</b> | <a href="#">BUS:B&lt;x&gt;:MANChester:DISplaymode</a> , <a href="#">SEARCH:SEARCH&lt;x&gt;:TRIGger:A:BUS:MANChester:CONDition</a>                                                                                                                                                                                                                        |
| <b>Arguments</b>        | <p>SEARCH&lt;x&gt; is the number of the search.</p> <p>&lt;NR1&gt; specifies the data string in a valid format. The minimum and default values are 1. The maximum value is 5.</p>                                                                                                                                                                        |
| <b>Examples</b>         | <p>SEARCH:SEARCH1:TRIGger:A:BUS:MANChester:DATA:SIZE 2 sets the data string for Manchester bus trigger search 1 to 2 bits.</p> <p>SEARCH:SEARCH1:TRIGger:A:BUS:MANChester:DATA:SIZE? might return :SEARCH:SEARCH1:TRIGger:A:BUS:MANChester:DATA:SIZE 2, indicating that the length of the data string for Manchester bus trigger search 1 is 2 bits.</p> |

## SEARCH:SEARCH<x>:TRIGger:A:BUS:MANChester:DATA:VALue

This command specifies the binary string used for Manchester triggering if the trigger condition is data when searching on an Manchester signal. The search condition needs to be set to data. The search number is specified by <x>.

|                         |                                                                                                                                                                                                                                                                                                                                        |
|-------------------------|----------------------------------------------------------------------------------------------------------------------------------------------------------------------------------------------------------------------------------------------------------------------------------------------------------------------------------------|
| <b>Conditions</b>       | Requires the SR-MANCH Triggering and Analysis application.                                                                                                                                                                                                                                                                             |
| <b>Group</b>            | Search and Mark                                                                                                                                                                                                                                                                                                                        |
| <b>Syntax</b>           | <pre>SEARCH:SEARCH&lt;x&gt;:TRIGger:A:BUS:MANChester:DATA:VALue &lt;QString&gt; SEARCH:SEARCH&lt;x&gt;:TRIGger:A:BUS:MANChester:DATA:VALue?</pre>                                                                                                                                                                                      |
| <b>Related Commands</b> | <a href="#">BUS:B&lt;x&gt;:MANChester:DISplaymode</a> , <a href="#">SEARCH:SEARCH&lt;x&gt;:TRIGger:A:BUS:MANChester:CONDition</a>                                                                                                                                                                                                      |
| <b>Arguments</b>        | <QString> is the data value.                                                                                                                                                                                                                                                                                                           |
| <b>Examples</b>         | <p>SEARCH:SEARCH1:TRIGger:A:BUS:MANChester:DATA:VALue "00001000" specifies binary as the value to be used while searching.</p> <p>SEARCH:SEARCH1:TRIGger:A:BUS:MANChester:DATA:VALue? might return :SEARCH:SEARCH1:TRIGger:A:BUS:MANChester:DATA:VALue "00001000", indicating that binary is the value to be used while searching.</p> |

## SEARCH:SEARCH<x>:TRIGger:A:BUS:MANChester:ERRor:TYPe

This command sets or queries the error to be used when searching on a Manchester signal. The search condition must be set to error. Parity error identifies odd and even parity. The search number is specified by <x>.

**Conditions** Requires the SR-MANCH Triggering and Analysis application.

**Group** Search and Mark

**Syntax** SEARCH:SEARCH<x>:TRIGger:A:BUS:MANChester:ERRor:TYPe  
{MANChester|PARity}  
SEARCH:SEARCH<x>:TRIGger:A:BUS:MANChester:ERRor:TYPe?

**Related Commands** [BUS:B<x>:MANChester:DISplaymode](#), [SEARCH:SEARCH<x>:TRIGger:A:BUS:MANChester:CONDition](#)

**Arguments** MANChester sets the error type to Manchester.  
PARity sets the error type to parity.

**Examples** SEARCH:SEARCH1:TRIGger:A:BUS:MANChester:ERRor:TYPe  
MANChester sets the error type to Manchester.  
  
SEARCH:SEARCH1:TRIGger:A:BUS:MANChester:ERRor:TYPe? might  
return :SEARCH:SEARCH1:TRIGger:A:BUS:MANChester:ERRor:TYPe  
PARity, indicating the error type is parity.

## SEARCH:SEARCH<x>:TRIGger:A:BUS:MANChester:HEADer:VALue

This command specifies the binary string used for Manchester triggering if the trigger condition is header when searching on an Manchester signal. The search condition needs to be set to header. The search number is specified by <x>.

**Conditions** Requires the SR-MANCH Triggering and Analysis application.

**Group** Search and Mark

**Syntax** SEARCH:SEARCH<x>:TRIGger:A:BUS:MANChester:HEADer:VALue  
<QString>  
SEARCH:SEARCH<x>:TRIGger:A:BUS:MANChester:HEADer:VALue?

**Related Commands** [BUS:B<x>:MANChester:DISplaymode](#), [SEARCH:SEARCH<x>:TRIGger:A:BUS:MANChester:CONDition](#)

**Arguments** <QString> is the header value.

**Examples** SEARCH:SEARCH1:TRIGger:A:BUS:MANChester:DATA:VALue "00001000" specifies binary as the value to be used while searching.

SEARCH:SEARCH1:TRIGger:A:BUS:MANChester:DATA:VALue? might return :SEARCH:SEARCH1:TRIGger:A:BUS:MANChester:DATA:VALue "00001000", indicating the binary header value to be used while searching.

## SEARCH:SEARCH<x>:TRIGger:A:BUS:MANChester:packetOffData:VALue

This command specifies the binary string used for Manchester triggering if the trigger condition is DATA. The search number is specified by <x>.

**Conditions** Requires the SR-MANCH Triggering and Analysis application.

**Group** Search and Mark

**Syntax** SEARCH:SEARCH<x>:TRIGger:A:BUS:MANChester:packetOffData:VALue <NR1>  
SEARCH:SEARCH<x>:TRIGger:A:BUS:MANChester:packetOffData:VALue?

**Related Commands** [BUS:B<x>:MANChester:DISplaymode](#), [SEARCH:SEARCH<x>:TRIGger:A:BUS:MANChester:CONDition](#)

**Arguments** <NR1> specifies the data string in a valid format.

**Examples** SEARCH:SEARCH1:TRIGger:A:BUS:MANChesterDATAOFF:VALue 1 specifies binary as the value to be used while searching.

SEARCH:SEARCH1:TRIGger:A:BUS:MANChesterDATAOFF:VALue? might return :SEARCH:SEARCH1:TRIGger:A:BUS:MANChesterDATAOFF:VALue 1, indicating the binary value to be used while searching.

## SEARCH:SEARCH<x>:TRIGger:A:BUS:MANChester:SYNC:VALue

This command specifies the binary string used for Manchester triggering if the trigger condition is Sync when searching on an Manchester signal. The search condition needs to be set to Sync. The search number is specified by <x>.

**Conditions** Requires the SR-MANCH Triggering and Analysis application.

**Group** Search and Mark

**Syntax** SEARCH:SEARCH<x>:TRIGger:A:BUS:MANChester:SYNC:VALue  
<QString>  
SEARCH:SEARCH<x>:TRIGger:A:BUS:MANChester:SYNC:VALue?

**Related Commands** [BUS:B<x>:MANChester:DISplaymode](#), [SEARCH:SEARCH<x>:TRIGger:A:BUS:MANChester:CONDition](#)

**Arguments** <QString> specifies the data string in a valid format.

**Examples** SEARCH:SEARCH1:TRIGger:A:BUS:MANChesterDATAOFF:VALue  
"00001000" specifies binary as the value to be used while searching.

SEARCH:SEARCH1:TRIGger:A:BUS:MANChesterDATAOFF:VALue? might  
return SEARCH:SEARCH1:TRIGger:A:BUS:MANChesterDATAOFF:VALue  
"00001000", indicating the binary value to be used while searching.

## SEARCH:SEARCH<x>:TRIGger:A:BUS:MANChester:TRAILER:VALue

This command specifies the binary string used for Manchester triggering if the trigger condition is Trailer when searching on an Manchester signal. The search condition needs to be set to Trailer. The search number is specified by <x>.

**Conditions** Requires the SR-MANCH Triggering and Analysis application.

**Group** Search and Mark

**Syntax** SEARCH:SEARCH<x>:TRIGger:A:BUS:MANChester:TRAILER:VALue  
<QString>  
SEARCH:SEARCH<x>:TRIGger:A:BUS:MANChester:TRAILER:VALue?

**Related Commands**    [BUS:B<x>:MANChester:DISplaymode](#), [SEARCH:SEARCH<x>:TRIGger:A:BUS:MANChester:CONDition](#)

**Arguments**    <QString> specifies the data string in a valid format.

**Examples**    `SEARCH:SEARCH1:TRIGger:A:BUS:MANChester:TRAILER:VALue "00001000"` specifies binary as the value to be used while searching.

`SEARCH:SEARCH1:TRIGger:A:BUS:MANChester:TRAILER:VALue?` might return `:SEARCH:SEARCH1:TRIGger:A:BUS:MANChester:TRAILER:VALue "00001000"`, indicating the binary value to be used while searching.

## SEARCH:SEARCH<x>:TRIGger:A:BUS:MDIO:ADDress:VALue

This command specifies the binary address string used for MDIO triggering if the trigger condition is address. The search number is specified by x.

**Conditions**    Requires option SR-MDIO.

**Group**    Search and Mark

**Syntax**    `SEARCH:SEARCH<x>:TRIGger:A:BUS:MDIO:ADDress:VALue <QString>`  
`SEARCH:SEARCH<x>:TRIGger:A:BUS:MDIO:ADDress:VALue?`

**Arguments**    <QString> is the address value. Default address value is XXXXXXXXXXXXXXXXXXXX.

**Examples**    `SEARCH:SEARCH1:TRIGGER:A:BUS:MDIO:ADDress:VALue "XXXXXXXXXXXXXXXXXX"` specifies address value as the field within a MDIO frame to search on.

`SEARCH:SEARCH1:TRIGGER:A:BUS:MDIO:ADDress:VALue?` might return `:SEARCH:SEARCH1:TRIGGER:A:BUS:MDIO:ADDress:VALue "XXXXXXXXXXXXXXXXXX"`, indicating that data is the currently specified field within a MDIO frame to search on.

## SEARCH:SEARCH<x>:TRIGger:A:BUS:MDIO:CONDition

This command sets or queries the trigger condition for MDIO bus. The search number is specified by x.



|                   |                                                                                                                                                                                                                                                                                                                                                                                                                                                                                                                                                                                                                                                               |
|-------------------|---------------------------------------------------------------------------------------------------------------------------------------------------------------------------------------------------------------------------------------------------------------------------------------------------------------------------------------------------------------------------------------------------------------------------------------------------------------------------------------------------------------------------------------------------------------------------------------------------------------------------------------------------------------|
| <b>Conditions</b> | Requires option SR-MDIO.                                                                                                                                                                                                                                                                                                                                                                                                                                                                                                                                                                                                                                      |
| <b>Group</b>      | Search and Mark                                                                                                                                                                                                                                                                                                                                                                                                                                                                                                                                                                                                                                               |
| <b>Syntax</b>     | SEARCH:SEARCH<x>:TRIGger:A:BUS:MDIO:CONDition {STARTPACKet <br>PHYSICALADDRESS  REGISTERADDRESS  DEVICETYPE  DATA  ADDRESS <br>ERRor}<br>SEARCH:SEARCH<x>:TRIGger:A:BUS:MDIO:CONDition?                                                                                                                                                                                                                                                                                                                                                                                                                                                                       |
| <b>Arguments</b>  | <p>STARTPACKet specifies STARTPACKet as the field within a MDIO frame to search on. This is the default trigger on condition.</p> <p>PHYSICALADDRESS specifies PHYSICALADDRESS as the field within a MDIO frame to search on.</p> <p>REGISTERADDRESS specifies REGISTERADDRESS as the field within a MDIO frame to search on.</p> <p>DEVICETYPE specifies DEVICETYPE as the field within a MDIO frame to search on.</p> <p>DATA specifies DATA as the field within a MDIO frame to search on.</p> <p>ADDRESS specifies ADDRESS as the field within a MDIO frame to search on.</p> <p>ERRor specifies ERRor as the field within a MDIO frame to search on.</p> |
| <b>Examples</b>   | <p>SEARCH:SEARCH1:TRIGGER:A:BUS:MDIO:CONDition ERRor specifies ERRor as the field within a MDIO frame to search on.</p> <p>SEARCH:SEARCH1:TRIGGER:A:BUS:MDIO:CONDition? might return :SEARCH:SEARCH1:TRIGGER:A:BUS:MDIO:CONDition ERRor, indicating that ERRor is the currently specified field within a MDIO frame to search on.</p>                                                                                                                                                                                                                                                                                                                         |

## SEARCH:SEARCH<x>:TRIGger:A:BUS:MDIO:DATA:VALue

This command specifies the binary data string used for MDIO triggering if the trigger condition is DATA. The search number is specified by x.

|                   |                                                                                                             |
|-------------------|-------------------------------------------------------------------------------------------------------------|
| <b>Conditions</b> | Requires option SR-MDIO.                                                                                    |
| <b>Group</b>      | Search and Mark                                                                                             |
| <b>Syntax</b>     | SEARCH:SEARCH<x>:TRIGger:A:BUS:MDIO:DATA:VALue <QString><br>SEARCH:SEARCH<x>:TRIGger:A:BUS:MDIO:DATA:VALue? |

- Arguments** <QString> is the data value. Default value is XXXXXXXXXXXXXXXXXXXX.
- Examples** SEARCH:SEARCH1:TRIGGER:A:BUS:MDIO:DATA:VALUE "XXXXXXXXXXXXXXXXXX" specifies data as the field within a MDIO frame to search on.
- SEARCH:SEARCH1:TRIGGER:A:BUS:MDIO:DATA:VALUE? might return :SEARCH:SEARCH1:TRIGGER:A:BUS:MDIO:DATA:VALUE "XXXXXXXXXXXXXXXXXX", indicating that data is the currently specified field within a MDIO frame to search on.

## SEARCH:SEARCH<x>:TRIGger:A:BUS:MDIO:DEVicetype:VALue

This command specifies the binary device type string used for MDIO triggering if the trigger condition is Device type. The search number is specified by x.

- Conditions** Requires option SR-MDIO.
- Group** Search and Mark
- Syntax** SEARCH:SEARCH<x>:TRIGger:A:BUS:MDIO:DEVicetype:VALue <QString>  
SEARCH:SEARCH<x>:TRIGger:A:BUS:MDIO:DEVicetype:VALue?
- Arguments** <QString> is the device type. Default value is XXXXX.
- Examples** SEARCH:SEARCH1:TRIGGER:A:BUS:MDIO:DEVicetype:VALue "XXXXX" specifies device type as the field within a MDIO frame to search on.
- SEARCH:SEARCH1:TRIGGER:A:BUS:MDIO:DEVicetype:VALue? might return :SEARCH:SEARCH1:TRIGGER:A:BUS:MDIO:DEVicetype:VALue "XXXXX", indicating that device type is the currently specified field within a MDIO frame to search on.

## SEARCH:SEARCH<x>:TRIGger:A:BUS:MDIO:ERRType

This command sets or queries the error type to be used when triggering on MDIO data. This applies when the MDIO bus trigger condition is set to ERROR. The search number is specified by x.

- Conditions** Requires option SR-MDIO.

|                  |                                                                                                                                                                                                                                                                                                                                |
|------------------|--------------------------------------------------------------------------------------------------------------------------------------------------------------------------------------------------------------------------------------------------------------------------------------------------------------------------------|
| <b>Group</b>     | Search and Mark                                                                                                                                                                                                                                                                                                                |
| <b>Syntax</b>    | SEARCH:SEARCH<x>:TRIGger:A:BUS:MDIO:ERRType {OPCODEERror <br>DEVERror  ANY}<br>SEARCH:SEARCH<x>:TRIGger:A:BUS:MDIO:ERRType?                                                                                                                                                                                                    |
| <b>Arguments</b> | OPCODEERror specifies OPCODEERror as the field within a MDIO frame to search on. This is the default trigger on condition.<br><br>DEVERror specifies DEVERror as the field within a MDIO frame to search on.<br><br>ANY specifies ANY as the field within a MDIO frame to search on.                                           |
| <b>Examples</b>  | SEARCH:SEARCH1:TRIGGER:A:BUS:MDIO:ERRType ANY specifies error type as the field within a MDIO frame to search on.<br><br>SEARCH:SEARCH1:TRIGGER:A:BUS:MDIO:ERRType? might return :SEARCH:SEARCH1:TRIGGER:A:BUS:MDIO:ERRType ANY, indicating that error type is the currently specified field within a MDIO frame to search on. |

## SEARCH:SEARCH<x>:TRIGger:A:BUS:MDIO:OPCode:VALue

This command specifies the binary op-code string used for MDIO triggering if the trigger condition is op-code. The search number is specified by x.

|                   |                                                                                                                                                                                                                                                                                                                                                       |
|-------------------|-------------------------------------------------------------------------------------------------------------------------------------------------------------------------------------------------------------------------------------------------------------------------------------------------------------------------------------------------------|
| <b>Conditions</b> | Requires option SR-MDIO.                                                                                                                                                                                                                                                                                                                              |
| <b>Group</b>      | Search and Mark                                                                                                                                                                                                                                                                                                                                       |
| <b>Syntax</b>     | SEARCH:SEARCH<x>:TRIGger:A:BUS:MDIO:OPCode:VALue <QString><br>SEARCH:SEARCH<x>:TRIGger:A:BUS:MDIO:OPCode:VALue?                                                                                                                                                                                                                                       |
| <b>Arguments</b>  | <QString> is the op-code value. Default op-code value is XX.                                                                                                                                                                                                                                                                                          |
| <b>Examples</b>   | SEARCH:SEARCH1:TRIGGER:A:BUS:MDIO:OPCode:VALue "XX" specifies op-code value as the field within a MDIO frame to search on.<br><br>SEARCH:SEARCH1:TRIGGER:A:BUS:MDIO:OPCode:VALue? might return :SEARCH:SEARCH1:TRIGGER:A:BUS:MDIO:OPCode:VALue "XX", indicating that op-code value is the currently specified field within a MDIO frame to search on. |

## SEARCH:SEARCH<x>:TRIGger:A:BUS:MDIO:PHYSicaladdress:VALue

This command specifies the binary physical address string used for MDIO triggering if the trigger condition is physical address. The search number is specified by x.

|                   |                                                                                                                                                                                                                                                                                                                                                                                                             |
|-------------------|-------------------------------------------------------------------------------------------------------------------------------------------------------------------------------------------------------------------------------------------------------------------------------------------------------------------------------------------------------------------------------------------------------------|
| <b>Conditions</b> | Requires option SR-MDIO.                                                                                                                                                                                                                                                                                                                                                                                    |
| <b>Group</b>      | Search and Mark                                                                                                                                                                                                                                                                                                                                                                                             |
| <b>Syntax</b>     | SEARCH:SEARCH<x>:TRIGger:A:BUS:MDIO:PHYSicaladdress:VALue<br><Qstring><br>SEARCH:SEARCH<x>:TRIGger:A:BUS:MDIO:PHYSicaladdress:VALue?                                                                                                                                                                                                                                                                        |
| <b>Arguments</b>  | <Qstring> is the physical address value. Default physical address value is XXXXX.                                                                                                                                                                                                                                                                                                                           |
| <b>Examples</b>   | SEARCH:SEARCH1:TRIGGER:A:BUS:MDIO:PHYSicaladdress:VALue<br>"XXXXX" specifies physical address as the field within a MDIO frame to search on.<br><br>SEARCH:SEARCH1:TRIGGER:A:BUS:MDIO:PHYSicaladdress:VALue?<br>might return<br>:SEARCH:SEARCH1:TRIGGER:A:BUS:MDIO:PHYSicaladdress:VALue<br>"XXXXX", indicating that physical address is the currently specified field<br>within a MDIO frame to search on. |

## SEARCH:SEARCH<x>:TRIGger:A:BUS:MDIO:REGisteraddress:VALue

This command specifies the binary register address string used for MDIO triggering if the trigger condition is register address. The search number is specified by x.

|                   |                                                                                                                                      |
|-------------------|--------------------------------------------------------------------------------------------------------------------------------------|
| <b>Conditions</b> | Requires option SR-MDIO.                                                                                                             |
| <b>Group</b>      | Search and Mark                                                                                                                      |
| <b>Syntax</b>     | SEARCH:SEARCH<x>:TRIGger:A:BUS:MDIO:REGisteraddress:VALue<br><Qstring><br>SEARCH:SEARCH<x>:TRIGger:A:BUS:MDIO:REGisteraddress:VALue? |

|                  |                                                                                                                                                                                                                                                                                                                                                                                                                         |
|------------------|-------------------------------------------------------------------------------------------------------------------------------------------------------------------------------------------------------------------------------------------------------------------------------------------------------------------------------------------------------------------------------------------------------------------------|
| <b>Arguments</b> | <QString> is the register address value. Default register address value is XXXXX.                                                                                                                                                                                                                                                                                                                                       |
| <b>Examples</b>  | <p>SEARCH:SEARCH1:TRIGGER:A:BUS:MDIO:REGISTERADDRESS:VALUE<br/>"XXXXX" specifies register address as the field within a MDIO frame to search on.</p> <p>SEARCH:SEARCH1:TRIGGER:A:BUS:MDIO:REGISTERADDRESS:VALUE?<br/>might return<br/>:SEARCH:SEARCH1:TRIGGER:A:BUS:MDIO:REGISTERADDRESS:VALUE<br/>"XXXXX", indicating that register address is the currently specified field<br/>within a MDIO frame to search on.</p> |

## SEARCH:SEARCH<x>:TRIGGER:A:BUS:MIL1553B:COMMAND:ADDRESS:HIVALUE

This command sets or queries the high value when searching on command word addresses for a MIL-STD-1553 bus. The search number is specified by x. The search condition must be set to COMMAND, and the address qualifier must be INrange or OUTrange.

|                   |                                                                                                                                                                                                                                               |
|-------------------|-----------------------------------------------------------------------------------------------------------------------------------------------------------------------------------------------------------------------------------------------|
| <b>Conditions</b> | Requires option 5-SRAERO or SUP5-SRAERO Triggering and Analysis application.                                                                                                                                                                  |
| <b>Group</b>      | Search and Mark                                                                                                                                                                                                                               |
| <b>Syntax</b>     | <p>SEARCH:SEARCH&lt;x&gt;:TRIGGER:A:BUS:MIL1553B:COMMAND:ADDRESS:<br/>HIVALUE &lt;QString&gt;</p> <p>SEARCH:SEARCH&lt;x&gt;:TRIGGER:A:BUS:MIL1553B:COMMAND:ADDRESS:<br/>HIVALUE?</p>                                                          |
| <b>Arguments</b>  | <QString> is the address value.                                                                                                                                                                                                               |
| <b>Examples</b>   | <p>SEARCH:SEARCH1:TRIGGER:A:BUS:MIL1553B:COMMAND:ADDRESS:HIVALUE<br/>"X1000" sets the value to X1000.</p> <p>SEARCH:SEARCH1:TRIGGER:A:BUS:MIL1553B:COMMAND:ADDRESS:HIVALUE?<br/>might return "XXXXX", indicating that the value is XXXXX.</p> |

## SEARCH:SEARCH<x>:TRIGGER:A:BUS:MIL1553B:COMMAND:ADDRESS:QUALIFIER

This command sets or queries the qualifier to be used when searching on command word addresses for a MIL-STD-1553 bus. The search number is specified by x. The search condition must be set to COMMAND.

**Conditions** Requires option 5-SRAERO or SUP5-SRAERO Triggering and Analysis application.

**Group** Search and Mark

**Syntax** SEARCH:SEARCH<x>:TRIGger:A:BUS:MIL1553B:COMMAND:ADDRESS:QUALifier {EQUAL|UNEQUAL|LESSthan|MOREthan|LESSEQUAL|MOREEQUAL|INrange|OUTrange}  
SEARCH:SEARCH<x>:TRIGger:A:BUS:MIL1553B:COMMAND:ADDRESS:QUALifier?

**Arguments** EQUAL sets the data qualifier to equal.  
LESSEQUAL sets the data qualifier to less equal.  
MOREEQUAL sets the data qualifier to more equal.  
UNEQUAL sets the data qualifier to unequal.  
LESSthan sets the data qualifier to less than.  
MOREthan sets the data qualifier to more than.  
INrange sets the data qualifier to in range.  
OUTrange sets the data qualifier out of range.

**Examples** SEARCH:SEARCH1:TRIGGER:A:BUS:MIL1553B:COMMAND:ADDRESS:QUALIFIER  
LESSTHAN sets the address qualifier to less than.  
SEARCH:SEARCH1:TRIGGER:A:BUS:MIL1553B:COMMAND:ADDRESS:QUALIFIER?  
might return EQUAL, indicating that the address qualifier is set to equal.

## SEARCH:SEARCH<x>:TRIGger:A:BUS:MIL1553B:COMMAND:ADDRESS:VALue

This command sets or queries the low value when searching on command word addresses for a MIL-STD-1553 bus. The search number is specified by x. The search condition must be set to COMMAND.

**Conditions** Requires option 5-SRAERO or SUP5-SRAERO Triggering and Analysis application.

**Group** Search and Mark

|                  |                                                                                                                                                                                                                             |
|------------------|-----------------------------------------------------------------------------------------------------------------------------------------------------------------------------------------------------------------------------|
| <b>Syntax</b>    | SEARCH:SEARCH<x>:TRIGger:A:BUS:MIL1553B:COMMAND:ADDRESS:VALUE <QString><br>SEARCH:SEARCH<x>:TRIGger:A:BUS:MIL1553B:COMMAND:ADDRESS:VALUE?                                                                                   |
| <b>Arguments</b> | <QString> is the address value.                                                                                                                                                                                             |
| <b>Examples</b>  | SEARCH:SEARCH1:TRIGGER:A:BUS:MIL1553B:COMMAND:ADDRESS:VALUE "X1000" sets the value to X1000.<br><br>SEARCH:SEARCH1:TRIGGER:A:BUS:MIL1553B:COMMAND:ADDRESS:VALUE? might return "XXXXXX", indicating that the value is XXXXX. |

## SEARCH:SEARCH<x>:TRIGger:A:BUS:MIL1553B:COMMAND:COUNT

This command sets or queries the value of the command word "word count" field for a MIL-STD-1553 bus to search on. The search number is specified by x. The search condition must be set to COMMAND.

|                   |                                                                                                                                                                                                             |
|-------------------|-------------------------------------------------------------------------------------------------------------------------------------------------------------------------------------------------------------|
| <b>Conditions</b> | Requires option 5-SRAERO or SUP5-SRAERO Triggering and Analysis application.                                                                                                                                |
| <b>Group</b>      | Search and Mark                                                                                                                                                                                             |
| <b>Syntax</b>     | SEARCH:SEARCH<x>:TRIGger:A:BUS:MIL1553B:COMMAND:COUNT <QString><br>SEARCH:SEARCH<x>:TRIGger:A:BUS:MIL1553B:COMMAND:COUNT?                                                                                   |
| <b>Arguments</b>  | <QString> is the word count value.                                                                                                                                                                          |
| <b>Examples</b>   | SEARCH:SEARCH1:TRIGGER:A:BUS:MIL1553B:COMMAND:COUNT "X1000" sets the value to X1000.<br><br>SEARCH:SEARCH1:TRIGGER:A:BUS:MIL1553B:COMMAND:COUNT? might return "XXXXXX", indicating that the value is XXXXX. |

## SEARCH:SEARCH<x>:TRIGger:A:BUS:MIL1553B:COMMAND:PARity

This command sets or queries the value of the command word parity bit for a MIL-STD-1553 bus to search on. The search number is specified by x. The search condition must be set to COMMAND.

|                   |                                                                                                                                                                                                                                                                                                                   |
|-------------------|-------------------------------------------------------------------------------------------------------------------------------------------------------------------------------------------------------------------------------------------------------------------------------------------------------------------|
| <b>Conditions</b> | Requires option 5-SRAERO or SUP5-SRAERO Triggering and Analysis application.                                                                                                                                                                                                                                      |
| <b>Group</b>      | Search and Mark                                                                                                                                                                                                                                                                                                   |
| <b>Syntax</b>     | SEARCH:SEARCH<x>:TRIGger:A:BUS:MIL1553B:COMMAND:PARity<br>{ONE ZERO NOCARE}<br>SEARCH:SEARCH<x>:TRIGger:A:BUS:MIL1553B:COMMAND:PARity?                                                                                                                                                                            |
| <b>Arguments</b>  | ONE filters command words to only match those where the parity bit has a value of 1.<br><br>ZERO filters command words to only match those where the parity bit has a value of 0.<br><br>NOCARE disables filtering of command words on the parity bit.                                                            |
| <b>Examples</b>   | SEARCH:SEARCH1:TRIGGER:A:BUS:MIL1553B:COMMAND:PARITY ONE specifies filtering command words for those where the parity bit has a value of 1.<br><br>SEARCH:SEARCH1:TRIGGER:A:BUS:MIL1553B:COMMAND:PARITY? might return NOCARE, indicating that command words are not being filtered based on the parity bit value. |

## SEARCH:SEARCH<x>:TRIGger:A:BUS:MIL1553B:COMMAND:SUBADdress

This command sets or queries the value of the command word subaddress field for a MIL-STD-1553 bus to search on. The search number is specified by x. The search condition must be set to COMMAND.

|                   |                                                                                                                                        |
|-------------------|----------------------------------------------------------------------------------------------------------------------------------------|
| <b>Conditions</b> | Requires option 5-SRAERO or SUP5-SRAERO Triggering and Analysis application.                                                           |
| <b>Group</b>      | Search and Mark                                                                                                                        |
| <b>Syntax</b>     | SEARCH:SEARCH<x>:TRIGger:A:BUS:MIL1553B:COMMAND:SUBADdress<br><QString><br>SEARCH:SEARCH<x>:TRIGger:A:BUS:MIL1553B:COMMAND:SUBADdress? |
| <b>Arguments</b>  | <QString> is the word count value.                                                                                                     |



**Examples** SEARCH:SEARCH1:TRIGGER:A:BUS:MIL1553B:COMMAND:SUBADDRESS  
"X1000" sets the value to X1000.

SEARCH:SEARCH1:TRIGGER:A:BUS:MIL1553B:COMMAND:SUBADDRESS?  
might return "XXXXX", indicating that the value is XXXXX.

## SEARCH:SEARCH<x>:TRIGger:A:BUS:MIL1553B:COMMAND:TRBit

This command sets or queries the value of the command word Transmit / Receive bit for a MIL-STD-1553 bus to search on. The search number is specified by x. The search condition must be set to COMMAND.

**Conditions** Requires option 5-SRAERO or SUP5-SRAERO Triggering and Analysis application.

**Group** Search and Mark

**Syntax** SEARCH:SEARCH<x>:TRIGger:A:BUS:MIL1553B:COMMAND:TRBit  
{RX|TX|X}  
SEARCH:SEARCH<x>:TRIGger:A:BUS:MIL1553B:COMMAND:TRBit?

**Arguments** RX filters command words to only match those that are receive packets.  
TX filters command words to only match those that are transmit packets.  
X disables filtering of command words on the R/T bit.

**Examples** SEARCH:SEARCH1:TRIGGER:A:BUS:MIL1553B:COMMAND:TRBIT TX  
specifies filtering command words for only transmit messages.  
SEARCH:SEARCH1:TRIGGER:A:BUS:MIL1553B:COMMAND:TRBIT? might  
return X, indicating that command words are not being filtered based on the R/T  
bit value.

## SEARCH:SEARCH<x>:TRIGger:A:BUS:MIL1553B:CONDition

This command sets or queries the field or condition for a MIL-STD-1553 bus to search on. The search number is specified by x.

**Conditions** Requires option 5-SRAERO or SUP5-SRAERO Triggering and Analysis application.

|                  |                                                                                                                                                                                                                                                                                                                      |
|------------------|----------------------------------------------------------------------------------------------------------------------------------------------------------------------------------------------------------------------------------------------------------------------------------------------------------------------|
| <b>Group</b>     | Search and Mark                                                                                                                                                                                                                                                                                                      |
| <b>Syntax</b>    | SEARCH:SEARCH<x>:TRIGger:A:BUS:MIL1553B:CONDition<br>{SYNC COMMAND STATUS DATA ERROR}<br>SEARCH:SEARCH<x>:TRIGger:A:BUS:MIL1553B:CONDition?                                                                                                                                                                          |
| <b>Arguments</b> | <p>SYNC specifies a search for the sync pulse of any word.</p> <p>COMMAND specifies a search for a matching command word.</p> <p>STATUS specifies a search for a matching status word.</p> <p>DATA specifies a search for a matching data word.</p> <p>ERROR specifies a search for a specified error condition.</p> |
| <b>Examples</b>  | <p>SEARCH:SEARCH1:TRIGGER:A:BUS:MIL1553B:CONDITION DATA specifies finding matching data word(s).</p> <p>SEARCH:SEARCH1:TRIGGER:A:BUS:MIL1553B:CONDITION? might return SYNC, indicating that the bus is being searched for sync pulses found in any word.</p>                                                         |

## SEARCH:SEARCH<x>:TRIGger:A:BUS:MIL1553B:DATA:PARity

This command sets or queries the value of the command word parity bit for a MIL-STD-1553 bus to search on. The search number is specified by x. The search condition must be set to DATA.

|                   |                                                                                                                                                                                                                                                      |
|-------------------|------------------------------------------------------------------------------------------------------------------------------------------------------------------------------------------------------------------------------------------------------|
| <b>Conditions</b> | Requires option 5-SRAERO or SUP5-SRAERO Triggering and Analysis application.                                                                                                                                                                         |
| <b>Group</b>      | Search and Mark                                                                                                                                                                                                                                      |
| <b>Syntax</b>     | SEARCH:SEARCH<x>:TRIGger:A:BUS:MIL1553B:DATA:PARity<br>{ONE ZERO NOCARE}<br>SEARCH:SEARCH<x>:TRIGger:A:BUS:MIL1553B:DATA:PARity?                                                                                                                     |
| <b>Arguments</b>  | <p>ONE filters data words to only match those where the parity bit has a value of 1.</p> <p>ZERO filters data words to only match those where the parity bit has a value of 0.</p> <p>NOCARE disables filtering of data words on the parity bit.</p> |

- Examples**     `SEARCH:SEARCH1:TRIGGER:A:BUS:MIL1553B:DATA:PARITY ONE` specifies filtering data words for those where the parity bit has a value of 1.
- `SEARCH:SEARCH1:TRIGGER:A:BUS:MIL1553B:DATA:PARITY?` might return NOCARE, indicating that data words are not being filtered based on the parity bit value.

## SEARCH:SEARCH<x>:TRIGger:A:BUS:MIL1553B:DATA:VALue

This command sets or queries the value when searching on data words for a MIL-STD-1553 bus. The search number is specified by x. The search condition must be set to DATA.

- Conditions**     Requires option 5-SRAERO or SUP5-SRAERO Triggering and Analysis application.
- Group**            Search and Mark
- Syntax**            `SEARCH:SEARCH<x>:TRIGger:A:BUS:MIL1553B:DATA:VALue <QString>`  
`SEARCH:SEARCH<x>:TRIGger:A:BUS:MIL1553B:DATA:VALue?`
- Arguments**        <QString> is the data value.
- Examples**           `SEARCH:SEARCH1:TRIGGER:A:BUS:MIL1553B:DATA:VALUE`  
`"XXXXXXXXXXXX1000"` sets the value to XXXXXXXXXXXXXXX1000.
- `SEARCH:SEARCH1:TRIGGER:A:BUS:MIL1553B:DATA:VALUE?` might return "XXXXXXXXXXXXXXXXXXXX", indicating that the value is XXXXXXXXXXXXXXXXXXXX.

## SEARCH:SEARCH<x>:TRIGger:A:BUS:MIL1553B:ERRTYPe

This command sets or queries the type of error condition for a MIL-STD-1553 bus to search on. The search number is specified by x. The search condition must be set to ERRor.

- Conditions**        Requires option 5-SRAERO or SUP5-SRAERO Triggering and Analysis application.
- Group**            Search and Mark

**Syntax** SEARCH:SEARCH<x>:TRIGger:A:BUS:MIL1553B:ERRTYPe  
{PARi ty|SYNC|DATA}  
SEARCH:SEARCH<x>:TRIGger:A:BUS:MIL1553B:ERRTYPe?

**Arguments** PARi ty specifies searching for an incorrectly calculated parity bit in any word.  
SYNC specifies searching for any sync pulse that does not transition in the middle of the pulse as required.  
DATA specifies searching for any non-contiguous data words.

**Examples** SEARCH:SEARCH1:TRIGGER:A:BUS:MIL1553B:ERRTYPE DATA specifies searching for non-contiguous data words.  
SEARCH:SEARCH1:TRIGGER:A:BUS:MIL1553B:ERRTYPE? might return PARITY, indicating that the bus is being searched for parity errors in any word.

## SEARCH:SEARCH<x>:TRIGger:A:BUS:MIL1553B:STATus:ADDResS:HIVALue

This command sets or queries the high value when searching on status word addresses for a MIL-STD-1553 bus. The search number is specified by x. The search condition must be set to STATus and the address qualifier must be INrange or OUTrange.

**Conditions** Requires option 5-SRAERO or SUP5-SRAERO Triggering and Analysis application.

**Group** Search and Mark

**Syntax** SEARCH:SEARCH<x>:TRIGger:A:BUS:MIL1553B:STATus:ADDResS:HIVALue <QString>  
SEARCH:SEARCH<x>:TRIGger:A:BUS:MIL1553B:STATus:ADDResS:HIVALue?

**Arguments** <QString> is the address value.

**Examples** SEARCH:SEARCH1:TRIGGER:A:BUS:MIL1553B:STATUS:ADDRESS:HIVALUE "X1000" sets the value to X1000.  
SEARCH:SEARCH1:TRIGGER:A:BUS:MIL1553B:STATUS:ADDRESS:HIVALUE? might return "XXXXX", indicating that the value is XXXXX.

**SEARCH:SEARCH<x>:TRIGger:A:BUS:MIL1553B:STATus:ADDRess:QUALifier**

This command sets or queries the qualifier used when searching on status word addresses for a MIL-STD-1553 bus. The search number is specified by x. The search condition must be set to STATUS.

**Conditions** Requires option 5-SRAERO or SUP5-SRAERO Triggering and Analysis application.

**Group** Search and Mark

**Syntax** SEARCH:SEARCH<x>:TRIGger:A:BUS:MIL1553B:STATus:ADDRess:QUALifier {Equal| UNEQual| LESSthan| MOREthan| LESSEQual| MOREEQual| INrange| OUTrange}  
SEARCH:SEARCH<x>:TRIGger:A:BUS:MIL1553B:STATus:ADDRess:QUALifier?

**Arguments** Equal sets the data qualifier to equal.  
LESSEQual sets the data qualifier to less equal.  
MOREEQual sets the data qualifier to more equal.  
UNEQual sets the data qualifier to unequal.  
LESSthan sets the data qualifier to less than.  
MOREthan sets the data qualifier to more than.  
INrange sets the data qualifier to in range.  
OUTrange sets the data qualifier out of range.

**Examples** SEARCH:SEARCH1:TRIGGER:A:BUS:MIL1553B:STATUS:ADDRESS:QUALIFIER  
LESSTHAN sets the address qualifier to less than.  
SEARCH:SEARCH1:TRIGGER:A:BUS:MIL1553B:STATUS:ADDRESS:QUALIFIER?  
might return EQUAL, indicating that the address qualifier is set to equal.

**SEARCH:SEARCH<x>:TRIGger:A:BUS:MIL1553B:STATus:ADDRess:VALue**

This command sets or queries the low value when searching on status word addresses for a MIL-STD-1553 bus. The search number is specified by x. The search condition must be set to STATUS.

|                   |                                                                                                                                                                                                                                 |
|-------------------|---------------------------------------------------------------------------------------------------------------------------------------------------------------------------------------------------------------------------------|
| <b>Conditions</b> | Requires option 5-SRAERO or SUP5-SRAERO Triggering and Analysis application.                                                                                                                                                    |
| <b>Group</b>      | Search and Mark                                                                                                                                                                                                                 |
| <b>Syntax</b>     | SEARCH:SEARCH<x>:TRIGger:A:BUS:MIL1553B:STATus:ADDRes:VALue<br><QString><br>SEARCH:SEARCH<x>:TRIGger:A:BUS:MIL1553B:STATus:ADDRes:<br>VALue?                                                                                    |
| <b>Arguments</b>  | <QString> is the address value.                                                                                                                                                                                                 |
| <b>Examples</b>   | SEARCH:SEARCH1:TRIGGER:A:BUS:MIL1553B:STATUS:ADDRESS:VALUE<br>"X1000" sets the value to X1000.<br><br>SEARCH:SEARCH1:TRIGGER:A:BUS:MIL1553B:STATUS:ADDRESS:VALUE?<br>might return "XXXXXX", indicating that the value is XXXXX. |

## SEARCH:SEARCH<x>:TRIGger:A:BUS:MIL1553B:STATus:BIT:BCR

This command sets or queries the value of the broadcast command received bit (BCR bit, bit 15) in a status word for a MIL-STD-1553 bus to search on. The search number is specified by x. The search condition must be set to STATUS.

|                   |                                                                                                                                                                                                                                            |
|-------------------|--------------------------------------------------------------------------------------------------------------------------------------------------------------------------------------------------------------------------------------------|
| <b>Conditions</b> | Requires option 5-SRAERO or SUP5-SRAERO Triggering and Analysis application.                                                                                                                                                               |
| <b>Group</b>      | Search and Mark                                                                                                                                                                                                                            |
| <b>Syntax</b>     | SEARCH:SEARCH<x>:TRIGger:A:BUS:MIL1553B:STATus:BIT:BCR<br>{ONE ZERO NOCARE}<br>SEARCH:SEARCH<x>:TRIGger:A:BUS:MIL1553B:STATus:BIT:BCR?                                                                                                     |
| <b>Arguments</b>  | ONE filters status words to only match those where the BCR bit has a value of 1.<br><br>ZERO filters status words to only match those where the BCR bit has a value of 0.<br><br>NOCARE disables filtering of status words on the BCR bit. |
| <b>Examples</b>   | SEARCH:SEARCH1:TRIGGER:A:BUS:MIL1553B:STATUS:BIT:BCR ONE<br>specifies filtering status words for those where the BCR bit has a value of 1.                                                                                                 |

SEARCH:SEARCH1:TRIGGER:A:BUS:MIL1553B:STATUS:BIT:BCR? might return NOCARE, indicating that status words are not being filtered based on the BCR bit value.

## SEARCH:SEARCH<x>:TRIGger:A:BUS:MIL1553B:STATus:BIT:BUSY

This command sets or queries the value of the busy bit (BUSY bit, bit 16) in a status word for a MIL-STD-1553 bus to search on. The search number is specified by x. The search condition must be set to STATUS.

|                   |                                                                                                                                                                                                                                                                                                               |
|-------------------|---------------------------------------------------------------------------------------------------------------------------------------------------------------------------------------------------------------------------------------------------------------------------------------------------------------|
| <b>Conditions</b> | Requires option 5-SRAERO or SUP5-SRAERO Triggering and Analysis application.                                                                                                                                                                                                                                  |
| <b>Group</b>      | Search and Mark                                                                                                                                                                                                                                                                                               |
| <b>Syntax</b>     | SEARCH:SEARCH<x>:TRIGger:A:BUS:MIL1553B:STATus:BIT:BUSY<br>{ONE ZERO NOCARE}<br>SEARCH:SEARCH<x>:TRIGger:A:BUS:MIL1553B:STATus:BIT:BUSY?                                                                                                                                                                      |
| <b>Arguments</b>  | ONE filters status words to only match those where the BUSY bit has a value of 1.<br>ZERO filters status words to only match those where the BUSY bit has a value of 0.<br>NOCARE disables filtering of status words on the BUSY bit.                                                                         |
| <b>Examples</b>   | SEARCH:SEARCH1:TRIGGER:A:BUS:MIL1553B:STATUS:BIT:BUSY ONE specifies filtering status words for those where the BUSY bit has a value of 1.<br><br>SEARCH:SEARCH1:TRIGGER:A:BUS:MIL1553B:STATUS:BIT:BUSY? might return NOCARE, indicating that status words are not being filtered based on the BUSY bit value. |

## SEARCH:SEARCH<x>:TRIGger:A:BUS:MIL1553B:STATus:BIT:DBCA

This command sets or queries the value of the dynamic bus control acceptance bit (DBCA bit, bit 18) in a status word for a MIL-STD-1553 bus to search on. The search number is specified by x. The search condition must be set to STATUS.

|                   |                                                                              |
|-------------------|------------------------------------------------------------------------------|
| <b>Conditions</b> | Requires option 5-SRAERO or SUP5-SRAERO Triggering and Analysis application. |
| <b>Group</b>      | Search and Mark                                                              |

**Syntax** SEARCH:SEARCH<x>:TRIGger:A:BUS:MIL1553B:STATUS:BIT:DBCA  
 {ONE|ZERO|NOCARE}  
 SEARCH:SEARCH<x>:TRIGger:A:BUS:MIL1553B:STATUS:BIT:DBCA?

**Arguments** ONE filters status words to only match those where the DBCA bit has a value of 1.  
 ZERO filters status words to only match those where the DBCA bit has a value of 0.  
 NOCARE disables filtering of status words on the DBCA bit.

**Examples** SEARCH:SEARCH1:TRIGGER:A:BUS:MIL1553B:STATUS:BIT:DBCA ONE  
 specifies filtering status words for those where the DBCA bit has a value of 1.  
 SEARCH:SEARCH1:TRIGGER:A:BUS:MIL1553B:STATUS:BIT:DBCA? might  
 return NOCARE, indicating that status words are not being filtered based on the  
 DBCA bit value.

## SEARCH:SEARCH<x>:TRIGger:A:BUS:MIL1553B:STATUS:BIT:INSTR

This command sets or queries the value of the instrumentation bit (INSTR bit, bit 10) in a status word for a MIL-STD-1553 bus to search on. The search number is specified by x. The search condition must be set to STATUS.

**Conditions** Requires option 5-SRAERO or SUP5-SRAERO Triggering and Analysis application.

**Group** Search and Mark

**Syntax** SEARCH:SEARCH<x>:TRIGger:A:BUS:MIL1553B:STATUS:BIT:INSTR  
 {ONE|ZERO|NOCARE}  
 SEARCH:SEARCH<x>:TRIGger:A:BUS:MIL1553B:STATUS:BIT:INSTR?

**Arguments** ONE filters status words to only match those where the INSTR bit has a value of 1.  
 ZERO filters status words to only match those where the INSTR bit has a value of 0.  
 NOCARE disables filtering of status words on the INSTR bit.

**Examples** SEARCH:SEARCH1:TRIGGER:A:BUS:MIL1553B:STATUS:BIT:INSTR ONE  
 specifies filtering status words for those where the INSTR bit has a value of 1.  
 SEARCH:SEARCH1:TRIGGER:A:BUS:MIL1553B:STATUS:BIT:INSTR? might  
 return NOCARE, indicating that status words are not being filtered based on the  
 INSTR bit value.



**SEARCH:SEARCH<x>:TRIGger:A:BUS:MIL1553B:STATus:BIT:ME**

This command sets or queries the value of the message error bit (ME bit, bit 9) in a status word for a MIL-STD-1553 bus to search on. The search number is specified by x. The search condition must be set to STATUS.

|                   |                                                                                                                                                                                                                                                                                                   |
|-------------------|---------------------------------------------------------------------------------------------------------------------------------------------------------------------------------------------------------------------------------------------------------------------------------------------------|
| <b>Conditions</b> | Requires option 5-SRAERO or SUP5-SRAERO Triggering and Analysis application.                                                                                                                                                                                                                      |
| <b>Group</b>      | Search and Mark                                                                                                                                                                                                                                                                                   |
| <b>Syntax</b>     | SEARCH:SEARCH<x>:TRIGger:A:BUS:MIL1553B:STATus:BIT:ME<br>{ONE ZERO NOCARE}<br>SEARCH:SEARCH<x>:TRIGger:A:BUS:MIL1553B:STATus:BIT:ME?                                                                                                                                                              |
| <b>Arguments</b>  | ONE filters status words to only match those where the ME bit has a value of 1.<br>ZERO filters status words to only match those where the ME bit has a value of 0.<br>NOCARE disables filtering of status words on the ME bit.                                                                   |
| <b>Examples</b>   | SEARCH:SEARCH1:TRIGGER:A:BUS:MIL1553B:STATUS:BIT:ME ONE specifies filtering status words for those where the ME bit has a value of 1.<br>SEARCH:SEARCH1:TRIGGER:A:BUS:MIL1553B:STATUS:BIT:ME? might return NOCARE, indicating that status words are not being filtered based on the ME bit value. |

**SEARCH:SEARCH<x>:TRIGger:A:BUS:MIL1553B:STATus:BIT:SRQ**

This command sets or queries the value of the status word service request bit (SRQ bit, bit 11) in a status word for a MIL-STD-1553 bus to search on. The search number is specified by x. The search condition must be set to STATUS.

|                   |                                                                                                                                        |
|-------------------|----------------------------------------------------------------------------------------------------------------------------------------|
| <b>Conditions</b> | Requires option 5-SRAERO or SUP5-SRAERO Triggering and Analysis application.                                                           |
| <b>Group</b>      | Search and Mark                                                                                                                        |
| <b>Syntax</b>     | SEARCH:SEARCH<x>:TRIGger:A:BUS:MIL1553B:STATus:BIT:SRQ<br>{ONE ZERO NOCARE}<br>SEARCH:SEARCH<x>:TRIGger:A:BUS:MIL1553B:STATus:BIT:SRQ? |

**Arguments** ONE filters status words to only match those where the SRQ bit has a value of 1.  
ZERO filters status words to only match those where the SRQ bit has a value of 0.  
NOCARE disables filtering of status words on the SRQ bit.

**Examples** SEARCH:SEARCH1:TRIGGER:A:BUS:MIL1553B:STATUS:BIT:SRQ ONE specifies filtering status words to those where the SRQ bit has a value of 1.  
SEARCH:SEARCH1:TRIGGER:A:BUS:MIL1553B:STATUS:BIT:SRQ? might return NOCARE, indicating that status words are not being filtered based on the SRQ bit value.

## SEARCH:SEARCH<x>:TRIGger:A:BUS:MIL1553B:STATus:BIT:SUBSF

This command sets or queries the value of the subsystem flag bit (SUBSF bit, bit 17) in a status word for a MIL-STD-1553 bus to search on. The search number is specified by x>. The search condition must be set to STATUS.

**Conditions** Requires SR-AERO Triggering and Analysis application.

**Group** Search and Mark

**Syntax** SEARCH:SEARCH<x>:TRIGger:A:BUS:MIL1553B:STATUS:BIT:SUBSF  
{ONE|ZERO|NOCARE}  
SEARCH:SEARCH<x>:TRIGger:A:BUS:MIL1553B:STATUS:BIT:SUBSF?

**Arguments** ONE filters status words to only match those where the SUBSF bit has a value of 1.  
ZERO filters status words to only match those where the SUBSF bit has a value of 0.  
NOCARE disables filtering of status words on the SUBSF bit.

**Examples** SEARCH:SEARCH1:TRIGGER:A:BUS:MIL1553B:STATUS:BIT:SUBSF ONE specifies filtering status words for those where the SUBSF bit has a value of 1.  
SEARCH:SEARCH1:TRIGGER:A:BUS:MIL1553B:STATUS:BIT:SUBSF? might return NOCARE, indicating that status words are not being filtered based on the SUBSF bit value.

**SEARCH:SEARCH<x>:TRIGger:A:BUS:MIL1553B:STATus:BIT:TF**

This command sets or queries the value of the terminal flag bit (TF bit, bit 19) in a status word for a MIL-STD-1553 bus to search on. The search number is specified by x. The search condition must be set to STATus.

|                   |                                                                                                                                                                                                                                                                                                       |
|-------------------|-------------------------------------------------------------------------------------------------------------------------------------------------------------------------------------------------------------------------------------------------------------------------------------------------------|
| <b>Conditions</b> | Requires option 5-SRAERO or SUP5-SRAERO Triggering and Analysis application.                                                                                                                                                                                                                          |
| <b>Group</b>      | Search and Mark                                                                                                                                                                                                                                                                                       |
| <b>Syntax</b>     | SEARCH:SEARCH<x>:TRIGger:A:BUS:MIL1553B:STATus:BIT:TF<br>{ONE ZERO NOCARE}<br>SEARCH:SEARCH<x>:TRIGger:A:BUS:MIL1553B:STATus:BIT:TF?                                                                                                                                                                  |
| <b>Arguments</b>  | ONE filters status words to only match those where the TF bit has a value of 1.<br>ZERO filters status words to only match those where the TF bit has a value of 0.<br>NOCARE disables filtering of status words on the TF bit.                                                                       |
| <b>Examples</b>   | SEARCH:SEARCH1:TRIGGER:A:BUS:MIL1553B:STATUS:BIT:TF ONE specifies filtering status words for those where the TF bit has a value of 1.<br><br>SEARCH:SEARCH1:TRIGGER:A:BUS:MIL1553B:STATUS:BIT:TF? might return NOCARE, indicating that status words are not being filtered based on the TF bit value. |

**SEARCH:SEARCH<x>:TRIGger:A:BUS:MIL1553B:STATus:PARity**

This command sets or queries the value of the status word parity bit for a MIL-STD-1553 bus to search on. The search number is specified by x. The search condition must be set to STATus.

|                   |                                                                                                                                      |
|-------------------|--------------------------------------------------------------------------------------------------------------------------------------|
| <b>Conditions</b> | Requires option 5-SRAERO or SUP5-SRAERO Triggering and Analysis application.                                                         |
| <b>Group</b>      | Search and Mark                                                                                                                      |
| <b>Syntax</b>     | SEARCH:SEARCH<x>:TRIGger:A:BUS:MIL1553B:STATus:PARity<br>{ONE ZERO NOCARE}<br>SEARCH:SEARCH<x>:TRIGger:A:BUS:MIL1553B:STATus:PARity? |

**Arguments** ONE filters status words to only match those where the parity bit has a value of 1.  
 ZERO filters status words to only match those where the parity bit has a value of 0.  
 NOCARE disables filtering of status words on the parity bit.

**Examples** SEARCH:SEARCH1:TRIGGER:A:BUS:MIL1553B:STATUS:PARITY ONE specifies filtering status words for those where the parity bit has a value of 1.  
 SEARCH:SEARCH1:TRIGGER:A:BUS:MIL1553B:STATUS:PARITY? might return NOCARE, indicating that status words are not being filtered based on the parity bit value.

## SEARCH:SEARCH<x>:TRIGger:A:BUS:NFC:COMManD:CODe

This command sets or queries the trigger on command code for a NFC bus.

**Conditions** Requires option RFNFC.

**Group** Search and Mark

**Syntax** SEARCH:SEARCH<x>:TRIGger:A:BUS:NFC:COMManD:CODe {INVenTory|STAYQUIet|RFU|RDSBLOCK|WRSBLOCK|LOCKBLOCK|RDMBLOCK|WRMBLOCK|SELECT15693SET|RSTToreADy|WRITEAFI|LOCKAFI|WRITeDSFI|LOCKDSFI|GETSYSTEMINfo|GETMBSECSYSTEM|FRDMBLOCK|EXRDSBLOCK|EXWRSBLOCK|EXLOCKBLOCK|EXRDMBLOCK|AUTHenticate|KEYUPDate|AUTHCRYptO|SECURECRYptO|CHALlenge|READBUFFer|EXGETSYSTINfo|EXGETMBSSTATus|FEXRDMBLOCKs|custom|REQa|WUPa|PROPRietary|SELECT14443A|HLTa|REQB|WUPB|SLOTMARKER|ATTRIB|HLTB|ANY|ATRReq|WUPReq|PSLReq|DEPREq|DSLReq|RLSReq}  
 SEARCH:SEARCH<x>:TRIGger:A:BUS:NFC:COMManD:CODe?

**Arguments** SEARCH<x> is the number of the search.  
 INVenTory specifies inventory as the 15693 command code to search on. This is the default command code is for 15693.  
 STAYQUIet specifies STAYQUIet as the 15693 command code to search on.  
 RFU specifies RFU as the 15693 command code to search on.  
 RDSBLOCK specifies RDSBLOCK as the 15693 command code to search on.  
 WRSBLOCK specifies WRSBLOCK as the 15693 command code to search on.  
 LOCKBLOCK specifies LOCKBLOCK as the 15693 command code to search on.

RDMBLOCK specifies RDMBLOCK as the 15693 command code to search on.

WRMBLOCK specifies WRMBLOCK as the 15693 command code to search on.

SELECT15693SET specifies select as the 15693 command code to search on.

RSTTOREADy specifies RSTTOREADy as the 15693 command code to search on.

WRITEAFI specifies WRITEAFI as the 15693 command code to search on.

LOCKAFI specifies LOCKAFI as the 15693 command code to search on.

WRITEDSFID specifies WRITEDSFID as the 15693 command code to search on.

LOCKDSFID specifies LOCKDSFID as the 15693 command code to search on.

GETSYSTEMINFo specifies GETSYSTEMINFo as the 15693 command code to search on.

GETMBSECSYSSTem specifies GETMBSECSYSSTem as the 15693 command code to search on.

FRDMBLOCK specifies FRDMBLOCK as the 15693 command code to search on.

EXRDSBLOCK specifies EXRDSBLOCK as the 15693 command code to search on.

EXWRSBLOCK specifies EXWRSBLOCK as the 15693 command code to search on.

EXLOCKBLOCK specifies EXLOCKBLOCK as the 15693 command code to search on.

EXRDMBLOCK specifies EXRDMBLOCK as the 15693 command code to search on.

AUTHenticate specifies authenticate as the 15693 command code to search on.

KEYUPDate specifies KEYUPDate as the 15693 command code to search on.

AUTHCRYPto specifies AUTHCRYPto as the 15693 command code to search on.

SECURECRYPto specifies SECURECRYPto as the 15693 command code to search on.

CHALlenge specifies challenge as the 15693 command code to search on.

READBUFFer specifies READBUFFer as the 15693 command code to search on.

EXGETSYSTINFo specifies EXGETSYSTINFo as the 15693 command code to search on.

EXGETMBSSTATus specifies EXGETMBSSTATus as the 15693 command code to search on.

FEXRDMBLOCKs specifies FEXRDMBLOCKs as the 15693 command code to search on.

custom specifies custom as the 15693 command code to search on.

ANY specifies ANY as the 15693 command code to search on.

REQa specifies REQa as the 14443A command code to search on. This is the default command code is for 14443A.

WUPa specifies WUPa as the 14443A command code to search on.

PROPRietary specifies proprietary as the 14443A command code to search on.

SELECT14443A specifies select as the 14443A command code to search on.

HLTa specifies HLTa as the 14443A command code to search on.

REQB specifies REQB as the 14443B command code to search on. This is the default command code is for 14443B.

WUPB specifies WUPB as the 14443B command code to search on.

SLOTMARKER specifies SLOTMARKER as the 14443B command code to search on.

ATTRIB specifies ATTRIB as the 14443B command code to search on.

HLTB specifies HLTB as the 14443B command code to search on.

ATRReq specifies ATRReq as the FeliCa command code to search on. This is the default command code is for FeliCa.

WUPReq specifies WUPReq as the FeliCa command code to search on.

PSLReq specifies PSLReq as the FeliCa command code to search on.

DEPReq specifies DEPReq as the FeliCa command code to search on.

DSLReq specifies DSLReq as the FeliCa command code to search on.

RLSReq specifies RLSReq as the FeliCa command code to search on.

**Examples**    `SEARCH:SEARCH1:TRIGGER:A:BUS:NFC:COMMAND:CODE SELECT15693SET`  
specifies select command code to search on.

`SEARCH:SEARCH1:TRIGGER:A:BUS:NFC:COMMAND:CODE? might`  
return `:SEARCH:SEARCH1:TRIGGER:A:BUS:NFC:COMMAND:CODE`  
`SELECT15693SET`, indicating that select command code is the currently specified  
field to search on.

## **SEARCH:SEARCH<x>:TRIGger:A:BUS:NFC:CONDition**

This command sets or queries the trigger condition for a NFC bus.

**Conditions**    Requires option RFNFC.

**Group**        Search and Mark

**Syntax** SEARCH:SEARCH<x>:TRIGGER:A:BUS:NFC:CONDITION {SOC| SOS| SYNC| CMDCODE| EOC| ERRORS| SOF| AFI| PUPi| IDENTIFIER| UID| EOF| PAYLOAD| DATA| RESPCODE| EOS}  
SEARCH:SEARCH<x>:TRIGGER:A:BUS:NFC:CONDITION?

**Arguments** SEARCH<x> is the number of the search.

SOC specifies start in 14443A as the field within a NFC frame to search on. The default trigger on condition is SOC for 14443A.

SOS specifies start in 14443B and Felica as the field within a NFC frame to search on. The default trigger on condition is SOS for 14443B and Felica.

SYNC specifies sync as the field within a NFC frame to search on.

CMDCODE specifies command code as the field within a NFC frame to search on.

EOC specifies end in 14443A as the field within a NFC frame to search on.

ERRORS specifies error type as the field within a NFC frame to search on.

SOF specifies start in 15693 as the field within a NFC frame to search on. The default trigger on condition is SOF for 15693.

AFI specifies AFI as the field within a NFC frame to search on.

PUPi specifies PUPi as the field within a NFC frame to search on.

IDENTIFIER specifies identifier as the field within a NFC frame to search on.

UID specifies UID as the field within a NFC frame to search on.

EOF specifies end in 15693 as the field within a NFC frame to search on.

PAYLOAD specifies payload as the field within a NFC frame to search on.

DATA specifies data as the field within a NFC frame to search on.

RESPCODE specifies response code as the field within a NFC frame to search on.

EOS specifies end in 14443B and Felica as the field within a NFC frame to search on.

**Examples** SEARCH:SEARCH1:TRIGGER:A:BUS:NFC:CONDITION UID specifies UID as the field within a NFC frame to search on.

SEARCH:SEARCH1:TRIGGER:A:BUS:NFC:CONDITION? might return :SEARCH:SEARCH1:TRIGGER:A:BUS:NFC:CONDITION UID, indicating that UID is the currently specified field within a NFC frame to search on.

## SEARCH:SEARCH<x>:TRIGger:A:BUS:NFC:DATA:SIZE

This command specifies the length of the data string in bytes to be used for an NFC trigger if the trigger condition is DATA.

|                   |                                                                                                                                                                                                                                                               |
|-------------------|---------------------------------------------------------------------------------------------------------------------------------------------------------------------------------------------------------------------------------------------------------------|
| <b>Conditions</b> | Requires option RFNFC.                                                                                                                                                                                                                                        |
| <b>Group</b>      | Search and Mark                                                                                                                                                                                                                                               |
| <b>Syntax</b>     | SEARCH:SEARCH<x>:TRIGger:A:BUS:NFC:DATA:SIZE <NR1><br>SEARCH:SEARCH<x>:TRIGger:A:BUS:NFC:DATA:SIZE?                                                                                                                                                           |
| <b>Arguments</b>  | SEARCH<x> is the number of the search.<br><br><NR1> specifies the data string in a valid format. The minimum and default value is 1. The maximum value is 5.                                                                                                  |
| <b>Examples</b>   | SEARCH:SEARCH1:TRIGGER:A:BUS:NFC:DATA:SIZE 2 specifies data size to search on.<br><br>SEARCH:SEARCH1:TRIGGER:A:BUS:NFC:DATA:SIZE? might return :SEARCH:SEARCH1:TRIGGER:A:BUS:NFC:DATA:SIZE 2, indicating that data to be searched on is specified as 2 bytes. |

## SEARCH:SEARCH<x>:TRIGger:A:BUS:NFC:DATA:VALue

This command specifies the binary data string used for NFC triggering if the trigger condition is DATA.

|                   |                                                                                                           |
|-------------------|-----------------------------------------------------------------------------------------------------------|
| <b>Conditions</b> | Requires option RFNFC.                                                                                    |
| <b>Group</b>      | Search and Mark                                                                                           |
| <b>Syntax</b>     | SEARCH:SEARCH<x>:TRIGger:A:BUS:NFC:DATA:VALue <QString><br>SEARCH:SEARCH<x>:TRIGger:A:BUS:NFC:DATA:VALue? |
| <b>Arguments</b>  | SEARCH<x> is the number of the search.<br><br><QString> specifies the data value in a valid format.       |



**Examples**    `SEARCH:SEARCH1:TRIGGER:A:BUS:NFC:DATA:VALUE "10110000"`  
specifies data to search on.

`SEARCH:SEARCH1:TRIGGER:A:BUS:NFC:DATA:VALUE?` might return  
`:SEARCH:SEARCH1:TRIGGER:A:BUS:NFC:DATA:VALUE "10110000"`,  
indicating the data value is 10110000.

## SEARCH:SEARCH<x>:TRIGGER:A:BUS:NFC:ERROR:TYPE

This command sets or queries the error type for NFC bus.

**Conditions**    Requires option RFNFC.

**Group**        Search and Mark

**Syntax**        `SEARCH:SEARCH<x>:TRIGGER:A:BUS:NFC:ERROR:TYPE {ANY| PARITY| CRC}`  
`SEARCH:SEARCH<x>:TRIGGER:A:BUS:NFC:ERROR:TYPE?`

**Arguments**    `SEARCH<x>` is the number of the search.

`ANY` searches any error. Applicable for 14443A.

`PARITY` searches parity error. Applicable only for 14443A.

`CRC` searches CRC error. Applicable for all standards.

**Examples**     `SEARCH:SEARCH1:TRIGGER:A:BUS:NFC:ERROR:TYPE PARITY` specifies  
parity error to search on.

`SEARCH:SEARCH1:TRIGGER:A:BUS:NFC:ERROR:TYPE?` might return  
`:SEARCH:SEARCH1:TRIGGER:A:BUS:NFC:ERROR:TYPE PARITY`, indicating  
that error type is the currently parity to search on.

## SEARCH:SEARCH<x>:TRIGGER:A:BUS:NFC:PAYLOADBITS

This command sets or queries the number of payload bits for the specified bus.

**Conditions**    Requires option RFNFC.

**Group**        Search and Mark

**Syntax** SEARCH:SEARCH<x>:TRIGger:A:BUS:NFC:PAYLOADBITS  
{EIGHTBIT|SIXTYFOURBIT}  
SEARCH:SEARCH<x>:TRIGger:A:BUS:NFC:PAYLOADBITS?

**Arguments** SEARCH<x> is the number of the search.  
EIGHTBIT sets the trigger condition for NFC bus trigger to Eight Bits.  
SIXTYFOURBIT sets the trigger condition for NFC bus trigger to Sixty Four Bits.

**Examples** SEARCH:SEARCH1:TRIGGER:A:BUS:NFC:PAYLOADBITS EIGHTBIT sets the trigger condition for NFC bus trigger search 1 to Eight Bits.  
SEARCH:SEARCH1:TRIGGER:A:BUS:NFC:PAYLOADBITS? might return :SEARCH:SEARCH1:TRIGGER:A:BUS:NFC:PAYLOADBITS EIGHTBIT, indicating that the trigger condition for NFC bus trigger search 1 is set to Eight Bits.

## SEARCH:SEARCH<x>:TRIGger:A:BUS:NFC:RESPonse:CODE

This command sets or queries the trigger on response code for a NFC bus.

**Conditions** Requires option RFNFC.

**Group** Search and Mark

**Syntax** SEARCH:SEARCH<x>:TRIGger:A:BUS:NFC:RESPonse:CODE {SAK|ATQA|ATQBPROP|ATQBCOMP|HLTB|ANY|ATTRes|WUPRes|PSLRes|DEPRes|DSLRes|RLSRes}  
SEARCH:SEARCH<x>:TRIGger:A:BUS:NFC:RESPonse:CODE?

**Arguments** SEARCH<x> is the number of the search.  
SAK specifies SAK as the response code for 14443A to search on. The default response code is SAK for 14443A.  
ATQa specifies ATQa as the response code for 14443A to search on.  
ATQBPROP specifies ATQBPROP as the response code for 14443B to search on. The default response code is ATQBPROP for 14443B.  
ATQBCOMP specifies ATQBCOMP as the response code for 14443B to search on.  
HLTB specifies HLTB as the response code for 14443B to search on.  
ANY specifies ANY as the response code for 14443B to search on.

ATRRes specifies ATRRes as the response code for FeliCa to search on. The default response code is ATRRes for FeliCa.

WUPRes specifies WUPRes as the response code for FeliCa to search on.

PSLRes specifies PSLRes as the response code for FeliCa to search on.

DEPRes specifies DEPRes as the response code for FeliCa to search on.

DSLRes specifies DSLRes as the response code for FeliCa to search on.

RLSRes specifies RLSRes as the response code for FeliCa to search on.

**Examples** SEARCH:SEARCH1:TRIGGER:A:BUS:NFC:RESPONSE:CODE SAK specifies the response code to search on.

SEARCH:SEARCH1:TRIGGER:A:BUS:NFC:RESPONSE:CODE? might return :SEARCH:SEARCH1:TRIGGER:A:BUS:NFC:RESPONSE:CODE SAK, indicating that SAK response code is the currently specified field to search on.

## SEARCH:SEARCH<x>:TRIGger:A:BUS:NFC:TYPE

This command sets or queries the trigger command/response type for a NFC bus.

**Conditions** Requires option RFNFC.

**Group** Search and Mark

**Syntax** SEARCH:SEARCH<x>:TRIGger:A:BUS:NFC:TYPE {COMMAND| RESPONSE}  
SEARCH:SEARCH<x>:TRIGger:A:BUS:NFC:TYPE?

**Arguments** SEARCH<x> is the number of the search.

COMMAND specifies command code as the type to search on. This is the default trigger.

RESPONSE specifies response code as the type to search on.

**Examples** SEARCH:SEARCH1:TRIGger:A:BUS:NFC:TYPE RESPONSE specifies response code as the type to search on.

SEARCH:SEARCH1:TRIGger:A:BUS:NFC:TYPE? might return :SEARCH:SEARCH1:TRIGger:A:BUS:NFC:TYPE RESPONSE, indicating that response code is the type to search on.

## SEARCH:SEARCH<x>:TRIGger:A:BUS:NFC:UID:VALue

This command specifies the binary data string used for NFC triggering if the trigger condition is UID.

|                   |                                                                                                                                                                                                                                                   |
|-------------------|---------------------------------------------------------------------------------------------------------------------------------------------------------------------------------------------------------------------------------------------------|
| <b>Conditions</b> | Requires option RFNFC.                                                                                                                                                                                                                            |
| <b>Group</b>      | Search and Mark                                                                                                                                                                                                                                   |
| <b>Syntax</b>     | SEARCH:SEARCH<x>:TRIGger:A:BUS:NFC:UID:VALue <QString><br>SEARCH:SEARCH<x>:TRIGger:A:BUS:NFC:UID:VALue?                                                                                                                                           |
| <b>Arguments</b>  | SEARCH<x> is the number of the search.<br><br><QString> specifies the data value in a valid format. The value for 15693 the UID is 64 bits. The value for 14443A the UID is 8 bits.                                                               |
| <b>Examples</b>   | SEARCH:SEARCH1:TRIGGER:A:BUS:NFC:UID:VALue "10110000" specifies data to search on.<br><br>SEARCH:SEARCH1:TRIGGER:A:BUS:NFC:UID:VALue? might return :SEARCH:SEARCH1:TRIGGER:A:BUS:NFC:UID:VALue "10110000", indicating the data value is 10110000. |

## SEARCH:SEARCH<x>:TRIGger:A:BUS:NRZ:CONDition

This command specifies a field or condition for an NRZ bus to search on. The search number is specified by x.

|                         |                                                                                                       |
|-------------------------|-------------------------------------------------------------------------------------------------------|
| <b>Conditions</b>       | Requires the SRNRZ Triggering and Analysis application.                                               |
| <b>Group</b>            | Search and Mark                                                                                       |
| <b>Syntax</b>           | SEARCH:SEARCH<x>:TRIGger:A:BUS:NRZ:CONDition {DATA}<br>SEARCH:SEARCH<x>:TRIGger:A:BUS:NRZ:CONDition?  |
| <b>Related Commands</b> | <a href="#">SEARCH:SEARCH&lt;x&gt;:TRIGger:A:BUS:NRZ:DATA:SIZE</a>                                    |
| <b>Arguments</b>        | SEARCH<x> is the number of the search.<br><br>DATA specifies the search condition as Data Characters. |

**Examples**     `SEARCH:SEARCH1:TRIGGER:A:BUS:NRZ:CONDition DATA` specifies data as the field within an NRZ frame to search on.

`SEARCH:SEARCH1:TRIGGER:A:BUS:NRZ:CONDITION?` might return `:SEARCH:SEARCH1:TRIGGER:A:BUS:NRZ:CONDITION DATA`, indicating that DATA is the currently specified field within an NRZ frame to search on.

## SEARCH:SEARCH<x>:TRIGger:A:BUS:NRZ:DATA:SIZE

This command specifies the length of the data string, in bytes, to use when searching on the NRZ signal. The search condition needs to be set to DATA. The search number is specified by x.

**Conditions**     Requires the SRNRZ Triggering and Analysis application.

**Group**     Search and Mark

**Syntax**     `SEARCH:SEARCH<x>:TRIGger:A:BUS:NRZ:DATA:SIZE <NR1>`  
`SEARCH:SEARCH<x>:TRIGger:A:BUS:NRZ:DATA:SIZE?`

**Related Commands**     [SEARCH:SEARCH<x>:TRIGger:A:BUS:NRZ:CONDition](#)

**Arguments**     `SEARCH<x>` is the number of the search.

`<NR1>` specifies the data string in a valid format. The minimum and default values are 1. The maximum value is 5.

**Examples**     `SEARCH:SEARCH1:TRIGGER:A:BUS:NRZ:DATA:SIZE 1` sets the data string for NRZ bus trigger search 1 to 1 byte.

`SEARCH:SEARCH1:TRIGGER:A:BUS:NRZ:DATA:SIZE?` might return `:SEARCH:SEARCH1:TRIGGER:A:BUS:NRZ:DATA:SIZE 3`, indicating that the length of the data string for NRZ bus trigger search 1 is 3 bytes.

## SEARCH:SEARCH<x>:TRIGger:A:BUS:NRZ:DATA:VALue

This command sets or queries the binary data value to be used when searching on a NRZ signal. The search condition must be set to DATA.

**Conditions**     Requires the SRNRZ Triggering and Analysis application.

|                  |                                                                                                                                                                                                                                          |
|------------------|------------------------------------------------------------------------------------------------------------------------------------------------------------------------------------------------------------------------------------------|
| <b>Group</b>     | Search and Mark                                                                                                                                                                                                                          |
| <b>Syntax</b>    | SEARCH:SEARCH<x>:TRIGger:A:BUS:NRZ:DATA:VALue <QString><br>SEARCH:SEARCH<x>:TRIGger:A:BUS:NRZ:DATA:VALue?                                                                                                                                |
| <b>Arguments</b> | SEARCH<x> is the number of the search.<br><br><QString> specifies the data value in a valid format.                                                                                                                                      |
| <b>Examples</b>  | SEARCH:SEARCH1:TRIGger:A:BUS:NRZ:DATA:VALue "1111" sets the data value to 1111.<br><br>SEARCH:SEARCH1:TRIGger:A:BUS:NRZ:DATA:VALue? might return :SEARCH:SEARCH1:TRIGGER:A:BUS:NRZ:DATA:VALUE "1010", indicating the data value is 1010. |

## SEARCH:SEARCH<x>:TRIGger:A:BUS:ONEWIRE:COMManD:VALue

This command specifies the binary data string used for ONEWIRE triggering if the trigger condition is COMMAND.

|                   |                                                                                                                                                                                                                                                                                                      |
|-------------------|------------------------------------------------------------------------------------------------------------------------------------------------------------------------------------------------------------------------------------------------------------------------------------------------------|
| <b>Conditions</b> | Requires option SR-ONEWIRE.                                                                                                                                                                                                                                                                          |
| <b>Group</b>      | Search and Mark                                                                                                                                                                                                                                                                                      |
| <b>Syntax</b>     | SEARCH:SEARCH<x>:TRIGger:A:BUS:ONEWIRE:COMManD:VALue <QString><br>SEARCH:SEARCH<x>:TRIGger:A:BUS:ONEWIRE:COMManD:VALue?                                                                                                                                                                              |
| <b>Arguments</b>  | SEARCH<x> is the number of the search.<br><br><QString> specifies the data value in a valid format. The default size and value for COMMAND is 8 bits and "XXXXXXXX".                                                                                                                                 |
| <b>Examples</b>   | SEARCH:SEARCH1:TRIGGER:A:BUS:ONEWIRE:COMManD:VALue "0111100111" sets the command value as "0111100111".<br><br>SEARCH:SEARCH1:TRIGGER:A:BUS:ONEWIRE:COMManD:VALue? might return :SEARCH:SEARCH1:TRIGGER:A:BUS:ONEWIRE:COMManD:VALue "0111100111", indicating that the command value is "0111100111". |

## SEARCH:SEARCH<x>:TRIGger:A:BUS:ONEWIRE:CONDition

This command sets or queries the trigger condition for a ONEWIRE bus. MODE should be set to Overdrive for OVERDRIVEMATCH and OVERDRIVESKIP. MODE should be set to Standard for READROM, MATCHROM, SKIPROM, SEARCHROM, ALARMSEARCH. The search number is specified by x.

**Conditions** Requires option SR-ONEWIRE.

**Group** Search and Mark

**Syntax** SEARCH:SEARCH<x>:TRIGger:A:BUS:ONEWIRE:CONDition {RESet|PREsence|COMMand|DATa|READROM|MATCHROM|OVERDRIVEMATCH|SKIPROM|OVERDRIVESKIP|SEARCHROM|ALARMSEARCH|CRCERRor}  
SEARCH:SEARCH<x>:TRIGger:A:BUS:ONEWIRE:CONDition?

**Arguments** SEARCH<x> is the number of the search.

RESet specifies the search condition as RESet. Reset is the default trigger on condition.

PREsence specifies the search condition as PREsence.

COMMand specifies the search condition as COMMand.

DATa specifies the search condition as DATa.

READROM specifies the search condition as READROM.

MATCHROM specifies the search condition as MATCHROM.

SKIPROM specifies the search condition as SKIPROM.

SEARCHROM specifies the search condition as SEARCHROM.

ALARMSEARCH specifies the search condition as ALARMSEARCH.

CRCERRor specifies the search condition as CRCERRor.

**Examples** SEARCH:SEARCH1:TRIGger:A:BUS:ONEWIRE:CONDition DATa specifies data as the field within an ONEWIRE frame to search on.

SEARCH:SEARCH1:TRIGger:A:BUS:ONEWIRE:CONDition? might return :SEARCH:SEARCH1:TRIGger:A:BUS:ONEWIRE:CONDition DATa, indicating that DATa is the currently specified field within an ONEWIRE frame to search on.

## SEARCH:SEARCH<x>:TRIGger:A:BUS:ONEWIRE:DATA:SIZE

This command specifies the length of the data string in bytes to be used for ONEWIRE triggering if the trigger condition is DATA. The search number is specified by x.

|                   |                                                                                                                                                                                                                                                  |
|-------------------|--------------------------------------------------------------------------------------------------------------------------------------------------------------------------------------------------------------------------------------------------|
| <b>Conditions</b> | Requires the option SR-ONEWIRE.                                                                                                                                                                                                                  |
| <b>Group</b>      | Search and Mark                                                                                                                                                                                                                                  |
| <b>Syntax</b>     | SEARCH:SEARCH<x>:TRIGger:A:BUS:ONEWIRE:DATA:SIZE <NR1><br>SEARCH:SEARCH<x>:TRIGger:A:BUS:ONEWIRE:DATA:SIZE?                                                                                                                                      |
| <b>Arguments</b>  | SEARCH<x> is the number of the search.<br><br><NR1> specifies the data string in a valid format. The minimum and default values are 1. The maximum value is 5.                                                                                   |
| <b>Examples</b>   | SEARCH:SEARCH1:TRIGger:A:BUS:ONEWIRE:DATA:SIZE 4 sets the data size value as 4.<br><br>SEARCH:SEARCH1:TRIGger:A:BUS:ONEWIRE:DATA:SIZE? might return :SEARCH:SEARCH1:TRIGger:A:BUS:ONEWIRE:DATA:SIZE 4, indicating that the data size value is 4. |

## SEARCH:SEARCH<x>:TRIGger:A:BUS:ONEWIRE:DATA:VALUe

This command specifies the binary data string used for ONEWIRE triggering if the trigger condition is DATA.

|                   |                                                                                                                                                                   |
|-------------------|-------------------------------------------------------------------------------------------------------------------------------------------------------------------|
| <b>Conditions</b> | Requires the option SR-ONEWIRE.                                                                                                                                   |
| <b>Group</b>      | Search and Mark                                                                                                                                                   |
| <b>Syntax</b>     | SEARCH:SEARCH<x>:TRIGger:A:BUS:ONEWIRE:DATA:VALUe <QString><br>SEARCH:SEARCH<x>:TRIGger:A:BUS:ONEWIRE:DATA:VALUe?                                                 |
| <b>Arguments</b>  | SEARCH<x> is the number of the search.<br><br><QString> specifies the data value in a valid format. The default size and value for DATA is 8 bits and "XXXXXXXX". |



**Examples**     `SEARCH:SEARCH1:TRIGGER:A:BUS:ONEWIRE:DATA:VALUE "0111100111"`  
 sets the Data value as "0111100111".

`SEARCH:SEARCH1:TRIGGER:A:BUS:ONEWIRE:DATA:VALUE?` might  
 return `:SEARCH:SEARCH1:TRIGGER:A:BUS:ONEWIRE:DATA:VALUE`  
 "0111100111", indicating that the data value is "0111100111".

## **SEARCH:SEARCH<x>:TRIGger:A:BUS:ONEWIRE:MATCHROM:FAMILYCODE**

This command sets or queries the family code for Match ROM in ONEWIRE bus. MODE should be set to Standard.

**Conditions**     Requires the option SR-ONEWIRE.

**Group**            Search and Mark

**Syntax**            `SEARCH:SEARCH<x>:TRIGger:A:BUS:ONEWIRE:MATCHROM:FAMILYCODE`  
`<QString>`  
`SEARCH:SEARCH<x>:TRIGger:A:BUS:ONEWIRE:MATCHROM:FAMILYCODE?`

**Arguments**        `SEARCH<x>` is the number of the search.

`<QString>` specifies the binary string used for Family Code triggering. The default size and value of family code for Match ROM is 8 bits and "XXXXXXXX".

**Examples**         `SEARCH:SEARCH1:TRIGGER:A:BUS:ONEWIRE:MATCHROM:FAMILYCODE`  
`"11000000"` specifies the binary string used for Family Code triggering if the trigger condition is MatchROM to "11000000".

`SEARCH:SEARCH1:TRIGGER:A:BUS:ONEWIRE:MATCHROM:FAMILYCODE?`  
 might return  
`:SEARCH:SEARCH1:TRIGGER:A:BUS:ONEWIRE:MATCHROM:FAMILYCODE`  
`"0111100111"`, indicating that the value of the family code set for Match ROM is "0111100111".

## **SEARCH:SEARCH<x>:TRIGger:A:BUS:ONEWIRE:MATCHROM:SERIALNUMBER**

This command sets or queries the serial number for Match ROM in ONEWIRE bus. MODE should be set to Standard.

**Conditions**        Requires the option SR-ONEWIRE.

|                  |                                                                                                                                                                                                                                                                                                                                                                                                                                                   |
|------------------|---------------------------------------------------------------------------------------------------------------------------------------------------------------------------------------------------------------------------------------------------------------------------------------------------------------------------------------------------------------------------------------------------------------------------------------------------|
| <b>Group</b>     | Search and Mark                                                                                                                                                                                                                                                                                                                                                                                                                                   |
| <b>Syntax</b>    | SEARCH:SEARCH<x>:TRIGger:A:BUS:ONEWIRE:MATCHROM:SERIALNUMBER<QString><br>SEARCH:SEARCH<x>:TRIGger:A:BUS:ONEWIRE:MATCHROM:SERIALNUMBER?                                                                                                                                                                                                                                                                                                            |
| <b>Arguments</b> | SEARCH<x> is the number of the search.<br><br><QString> specifies the binary string used for Serial Number triggering. The default size and value of serial number for Match ROM is 48 bits and "XXXXXXXX XXXXXXXX XXXXXXXX XXXXXXXX XXXXXXXX XXXXXXXX".                                                                                                                                                                                          |
| <b>Examples</b>  | SEARCH:SEARCH1:TRIGGER:A:BUS:ONEWIRE:MATCHROM:SERIALNUMBER "11000010" specifies the binary string used for Serial Number triggering if the trigger condition is MatchROM and set it to "11000010".<br><br>SEARCH:SEARCH1:TRIGGER:A:BUS:ONEWIRE:MATCHROM:SERIALNUMBER? might return<br>:SEARCH:SEARCH1:TRIGGER:A:BUS:ONEWIRE:MATCHROM:SERIALNUMBER "0111100111", indicating that the value of the serial number set for Match ROM is "0111100111". |

## SEARCH:SEARCH<x>:TRIGger:A:BUS:ONEWIRE:OVERDRIVE:FAMILYCODE

This command sets or queries the Family Code for Overdrive Match ROM in ONEWIRE bus. MODE should be set to Overdrive.

|                   |                                                                                                                                                                                                                  |
|-------------------|------------------------------------------------------------------------------------------------------------------------------------------------------------------------------------------------------------------|
| <b>Conditions</b> | Requires the option SR-ONEWIRE.                                                                                                                                                                                  |
| <b>Group</b>      | Search and Mark                                                                                                                                                                                                  |
| <b>Syntax</b>     | SEARCH:SEARCH<x>:TRIGger:A:BUS:ONEWIRE:OVERDRIVE:FAMILYCODE<QString><br>SEARCH:SEARCH<x>:TRIGger:A:BUS:ONEWIRE:OVERDRIVE:FAMILYCODE?                                                                             |
| <b>Arguments</b>  | SEARCH<x> is the number of the search.<br><br><QString> specifies the binary string used for Family Code triggering. The default size and value of family code for Overdrive match ROM is 8 bits and "XXXXXXXX". |

**Examples**     `SEARCH:SEARCH1:TRIGGER:A:BUS:ONEWIRE:OVERDRIVE:FAMILYCODE "11000011"` specifies the binary string used for Family Code triggering if the trigger condition is Overdrive match ROM to "11000011".

`SEARCH:SEARCH1:TRIGGER:A:BUS:ONEWIRE:OVERDRIVE:FAMILYCODE?` might return  
`:SEARCH:SEARCH1:TRIGGER:A:BUS:ONEWIRE:OVERDRIVE:FAMILYCODE "0111100111"`, indicating that the value of the family code set for Overdrive Match ROM is "0111100111".

### **SEARCH:SEARCH<x>:TRIGger:A:BUS:ONEWIRE:OVERDRIVE:SERIALNUMBER**

This command sets or queries the serial number for Overdrive Match ROM in ONEWIRE bus. MODE should be set to Overdrive.

**Conditions**     Requires the option SR-ONEWIRE.

**Group**     Search and Mark

**Syntax**     `SEARCH:SEARCH<x>:TRIGger:A:BUS:ONEWIRE:OVERDRIVE:SERIALNUMBER <QString>`  
`SEARCH:SEARCH<x>:TRIGger:A:BUS:ONEWIRE:OVERDRIVE:SERIALNUMBER?`

**Arguments**     `SEARCH<x>` is the number of the search.

`<QString>` specifies the binary string used for Serial Number triggering. The default size and value of serial number for Overdrive match ROM is 48 bits and "XXXXXXXXXXXXXXXXXXXXXXXXXXXXXXXXXXXXXXXXXXXXXXXXXXXX".

**Examples**     `SEARCH:SEARCH1:TRIGGER:A:BUS:ONEWIRE:OVERDRIVE:SERIALNUMBER "11000010"` specifies the binary string used for Serial Number triggering if the trigger condition is Overdrive match ROM and set it to "11000010".

`SEARCH:SEARCH1:TRIGGER:A:BUS:ONEWIRE:OVERDRIVE:SERIALNUMBER?` might return  
`:SEARCH:SEARCH1:TRIGGER:A:BUS:ONEWIRE:OVERDRIVE:SERIALNUMBER "0111100111"`, indicating that the value of the serial number set for Overdrive Match ROM is "0111100111".

## SEARCH:SEARCH<x>:TRIGger:A:BUS:ONEWIRE:READROM:FAMILYCODE

This command sets or queries the family code for Read ROM in ONEWIRE bus. MODE should be set to Standard.

**Conditions** Requires the option SR-ONEWIRE.

**Group** Search and Mark

**Syntax** SEARCH:SEARCH<x>:TRIGger:A:BUS:ONEWIRE:READROM:FAMILYCODE  
<QString>  
SEARCH:SEARCH<x>:TRIGger:A:BUS:ONEWIRE:READROM:FAMILYCODE?

**Arguments** SEARCH<x> is the number of the search.  
  
<QString> specifies the binary string used for Family Code triggering. The default size and value of family code for Read ROM is 8 bits and "XXXXXXXX".

**Examples** SEARCH:SEARCH1:TRIGGER:A:BUS:ONEWIRE:READROM:FAMILYCODE  
"11000000" specifies the binary string used for Family Code triggering if the trigger condition is READ ROM to "11000000".  
  
SEARCH:SEARCH1:TRIGGER:A:BUS:ONEWIRE:READROM:FAMILYCODE?  
might return  
:SEARCH:SEARCH1:TRIGGER:A:BUS:ONEWIRE:READROM:FAMILYCODE  
"0111100111", indicating that the value of the family code set for Read ROM is "0111100111".

## SEARCH:SEARCH<x>:TRIGger:A:BUS:ONEWIRE:READROM:SERIALNUMBER

This command sets or queries the serial number for Read ROM in ONEWIRE bus. MODE should be set to Standard.

**Conditions** Requires the option SR-ONEWIRE.

**Group** Search and Mark

**Syntax** SEARCH:SEARCH<x>:TRIGger:A:BUS:ONEWIRE:READROM:SERIALNUMBER  
<QString>  
SEARCH:SEARCH<x>:TRIGger:A:BUS:ONEWIRE:READROM:SERIALNUMBER?

|                  |                                                                                                                                                                                                                                                                                                                                                                                                                                            |
|------------------|--------------------------------------------------------------------------------------------------------------------------------------------------------------------------------------------------------------------------------------------------------------------------------------------------------------------------------------------------------------------------------------------------------------------------------------------|
| <b>Arguments</b> | SEARCH<x> is the number of the search.<br><br><QString> specifies the binary string used for Serial Number triggering. The default size and value of serial number for Read ROM is 48 bits and "XXXXXXXX XXXXXXXX XXXXXXXX XXXXXXXX XXXXXXXX XXXXXXXX".                                                                                                                                                                                    |
| <b>Examples</b>  | SEARCH:SEARCH1:TRIGGER:A:BUS:ONEWIRE:READROM:SERIALNUMBER "11000010" specifies the binary string used for Serial Number triggering if the trigger condition is Read ROM and set it to "11000010".<br><br>SEARCH:SEARCH1:TRIGGER:A:BUS:ONEWIRE:READROM:SERIALNUMBER? might return :SEARCH:SEARCH1:TRIGGER:A:BUS:ONEWIRE:READROM:SERIALNUMBER "0111100111", indicating that the value of the serial number set for Read ROM is "0111100111". |

## SEARCH:SEARCH<x>:TRIGger:A:BUS:ONEWIRE:SEARCHROM:ROMCODE

This command sets or queries the ROM code for Search ROM in ONEWIRE bus. MODE should be set to Standard.

|                   |                                                                                                                                                                                                                                                                                                                                                            |
|-------------------|------------------------------------------------------------------------------------------------------------------------------------------------------------------------------------------------------------------------------------------------------------------------------------------------------------------------------------------------------------|
| <b>Conditions</b> | Requires the option SR-ONEWIRE.                                                                                                                                                                                                                                                                                                                            |
| <b>Group</b>      | Search and Mark                                                                                                                                                                                                                                                                                                                                            |
| <b>Syntax</b>     | SEARCH:SEARCH<x>:TRIGger:A:BUS:ONEWIRE:SEARCHROM:ROMCODE <QString><br>SEARCH:SEARCH<x>:TRIGger:A:BUS:ONEWIRE:SEARCHROM:ROMCODE?                                                                                                                                                                                                                            |
| <b>Arguments</b>  | SEARCH<x> is the number of the search.<br><br><QString> specifies the ROM code for Search ROM. The default size and value of ROM code for Search ROM is 64 bits and "XXXXXXXX XXXXXXXX XXXXXXXX XXXXXXXX XXXXXXXX XXXXXXXX".                                                                                                                               |
| <b>Examples</b>   | SEARCH:SEARCH1:TRIGGER:A:BUS:ONEWIRE:SEARCHROM:ROMCODE "11011101" specifies the ROM code set for Search ROM as "11011101".<br><br>SEARCH:SEARCH1:TRIGGER:A:BUS:ONEWIRE:SEARCHROM:ROMCODE? might return :SEARCH:SEARCH1:TRIGGER:A:BUS:ONEWIRE:SEARCHROM:ROMCODE "0111100111", indicating that the value of the ROM code set for Search ROM is "0111100111". |

## SEARCH:SEARCH<x>:TRIGger:A:BUS:PARAllel:DATa:VALue

This command sets or queries the binary data string used for a parallel bus search to determine where to place a mark. The search number is specified by x.

|                  |                                                                                                                                                                                                                                                                                                                                                                              |
|------------------|------------------------------------------------------------------------------------------------------------------------------------------------------------------------------------------------------------------------------------------------------------------------------------------------------------------------------------------------------------------------------|
| <b>Group</b>     | Search and Mark                                                                                                                                                                                                                                                                                                                                                              |
| <b>Syntax</b>    | SEARCH:SEARCH<x>:TRIGger:A:BUS:PARAllel:DATa:VALue <QString><br>SEARCH:SEARCH<x>:TRIGger:A:BUS:PARAllel:DATa:VALue?                                                                                                                                                                                                                                                          |
| <b>Arguments</b> | <QString> specifies the data value in a valid format. Valid characters are 0-9,                                                                                                                                                                                                                                                                                              |
| <b>Examples</b>  | SEARCH:SEARCH2:TRIGGER:A:BUS:PARALLEL:DATA:VALUE "XXXXXXXX"<br>sets the string data value to "XXXXXXXX" in binary format.<br><br>SEARCH:SEARCH1:TRIGGER:A:BUS:PARALLEL:DATA:VALUE? might<br>return SEARCH:SEARCH1:TRIGGER:A:BUS:PARALLEL:DATA:VALUE<br>"XXXXXXXXXXXXXXXX10010", indicating that the data value string is set to<br>"XXXXXXXXXXXXXXXX10010" in binary format. |

## SEARCH:SEARCH<x>:TRIGger:A:BUS:PSIFIVE:BLOCKDATa:VALue

This command sets or queries the binary block data string used for PSI5 triggering if the trigger condition is block id.

|                   |                                                                                                                                                                                                                                                                                    |
|-------------------|------------------------------------------------------------------------------------------------------------------------------------------------------------------------------------------------------------------------------------------------------------------------------------|
| <b>Conditions</b> | Requires option SR-PSI5                                                                                                                                                                                                                                                            |
| <b>Group</b>      | Search and Mark                                                                                                                                                                                                                                                                    |
| <b>Syntax</b>     | SEARCH:SEARCH<x>:TRIGger:A:BUS:PSIFIVE:BLOCKDATa:VALue<br><QString><br>SEARCH:SEARCH<x>:TRIGger:A:BUS:PSIFIVE:BLOCKDATa:VALue?                                                                                                                                                     |
| <b>Arguments</b>  | <QString> specifies the binary block data string.                                                                                                                                                                                                                                  |
| <b>Examples</b>   | SEARCH:SEARCH1:TRIGGER:A:BUS:PSIFIVE:BLOCKDATa:VALue<br>"110001111" sets the block data value as the field within a PSI5 frame to<br>search on.<br><br>SEARCH:SEARCH1:TRIGGER:A:BUS:PSIFIVE:BLOCKDATa:VALue? might<br>return :SEARCH:SEARCH1:TRIGGER:A:BUS:PSIFIVE:BLOCKDATa:VALue |

"1100001111", indicating that the binary block data value is the currently "1100001111".

## SEARCH:SEARCH<x>:TRIGger:A:BUS:PSIFIVE:CONDition

This command sets or queries the trigger condition for an PSI5 bus. The search number is specified by x.

**Conditions** Requires option SR-PSI5

**Group** Search and Mark

**Syntax** SEARCH:SEARCH<x>:TRIGger:A:BUS:PSIFIVE:CONDition  
{START| STATUs| DATa| BLOCkId| ERRors| STARTBIT|  
FUNCTIONCODE| ECUDATa| SENSORADDRESS| REGISTERADDRESS|  
SENSORSTATUs|CRCERRor}  
SEARCH:SEARCH<x>:TRIGger:A:BUS:PSIFIVE:CONDition?

**Arguments** START specifies the search condition as Start. This is the default trigger.

STATUs specifies the search condition as Status.

DATa specifies the search condition as Data.

BLOCkId specifies the search condition as Block ID.

ERRors specifies the search condition as Errors.

STARTBIT specifies the search condition as Start Bit.

FUNCTIONCODE specifies the search condition as Function Code.

ECUDATa specifies the search condition as ECU Data.

SENSORADDRESS specifies the search condition as Sensor Address.

REGISTERADDRESS specifies the search condition as Register Address.

SENSORSTATUs specifies the search condition as Sensor Status.

CRCERRor specifies the search condition as CRC Error.

**Examples** SEARCH:SEARCH1:TRIGGER:A:BUS:PSIFIVE:CONDition START specifies start as the field within a PSI5 frame to search on.

SEARCH:SEARCH1:TRIGGER:A:BUS:PSIFIVE:CONDition? might return :SEARCH:SEARCH1:TRIGGER:A:BUS:PSIFIVE:CONDition START, indicating that start is the currently specified field within a PSI5 frame to search on.

## SEARCH:SEARCH<x>:TRIGger:A:BUS:PSIFIVE:DATA:ECU:SENsOr:VALue

This command sets or queries the binary Data string used for PSI5 triggering if the trigger condition is Data in ECU to Sensor communication mode. The search number is specified by x.

|                   |                                                                                                                                                                                                                                                                                                                                |
|-------------------|--------------------------------------------------------------------------------------------------------------------------------------------------------------------------------------------------------------------------------------------------------------------------------------------------------------------------------|
| <b>Conditions</b> | Requires option SR-PSI5                                                                                                                                                                                                                                                                                                        |
| <b>Group</b>      | Search and Mark                                                                                                                                                                                                                                                                                                                |
| <b>Syntax</b>     | SEARCH:SEARCH<x>:TRIGger:A:BUS:PSIFIVE:DATA:ECU:SENsOr:VALue<br><QString><br>SEARCH:SEARCH<x>:TRIGger:A:BUS:PSIFIVE:DATA:ECU:SENsOr:VALue?                                                                                                                                                                                     |
| <b>Arguments</b>  | <QString> specifies the value of the data string. The valid characters are 0, 1, and X for values in binary format; and A-F, 0-9, and X for values in hexadecimal format.                                                                                                                                                      |
| <b>Examples</b>   | SEARCH:SEARCH1:TRIGger:A:BUS:PSIFIVE:DATA:ECU:SENsOr:VALue<br>"01111001" sets the data value as "01111001".<br><br>SEARCH:SEARCH1:TRIGger:A:BUS:PSIFIVE:DATA:ECU:SENsOr:VALue?<br>might return<br>:SEARCH:SEARCH1:TRIGger:A:BUS:PSIFIVE:DATA:ECU:SENsOr:VALue<br>"0111100111", indicating that the data value is "0111100111". |

## SEARCH:SEARCH<x>:TRIGger:A:BUS:PSIFIVE:DATA:REGion:A:VALue

This command sets or queries the binary data string used for PSI5 triggering if the trigger condition is data region A. The search number is specified by x.

|                   |                                                                                                                                        |
|-------------------|----------------------------------------------------------------------------------------------------------------------------------------|
| <b>Conditions</b> | Requires option SR-PSI5                                                                                                                |
| <b>Group</b>      | Search and Mark                                                                                                                        |
| <b>Syntax</b>     | SEARCH:SEARCH<x>:TRIGger:A:BUS:PSIFIVE:DATA:REGion:A:VALue<br><QString><br>SEARCH:SEARCH<x>:TRIGger:A:BUS:PSIFIVE:DATA:REGion:A:VALue? |



**Arguments** <QString> specifies the value of the data string. The valid characters are 0, 1, and X for values in binary format; and A-F, 0-9, and X for values in hexadecimal format.

**Examples** SEARCH:SEARCH1:TRIGGER:A:BUS:PSIFIVE:DATA:REGION:A:VALUE "0111100111" sets the data value as "0111100111".

SEARCH:SEARCH1:TRIGGER:A:BUS:PSIFIVE:DATA:REGION:A:VALUE? might return  
:SEARCH:SEARCH1:TRIGGER:A:BUS:PSIFIVE:DATA:REGION:A:VALUE "0111100111", indicating that the data value is "0111100111".

## SEARCH:SEARCH<x>:TRIGger:A:BUS:PSIFIVE:DATA:REGion:B:VALue

This command sets or queries the binary data string used for PSI5 triggering if the trigger condition is data region B. The search number is specified by x.

**Conditions** Requires option SR-PSI5

**Group** Search and Mark

**Syntax** SEARCH:SEARCH<x>:TRIGger:A:BUS:PSIFIVE:DATA:REGion:B:VALue <QString>  
SEARCH:SEARCH<x>:TRIGger:A:BUS:PSIFIVE:DATA:REGion:B:VALue?

**Arguments** <QString> specifies the value of the data string. The valid characters are 0, 1, and X for values in binary format; and A-F, 0-9, and X for values in hexadecimal format.

**Examples** SEARCH:SEARCH1:TRIGGER:A:BUS:PSIFIVE:DATA:REGION:B:VALUE "0111100111" sets the data value as "0111100111".

SEARCH:SEARCH1:TRIGGER:A:BUS:PSIFIVE:DATA:REGION:B:VALUE? might return  
:SEARCH:SEARCH1:TRIGGER:A:BUS:PSIFIVE:DATA:REGION:A:VALUE "0111100111", indicating that the data value is "0111100111".

## SEARCH:SEARCH<x>:TRIGger:A:BUS:PSIFIVE:DATABITs

This command sets or queries the binary register address string used for PSI5 triggering if the trigger condition is Data in ECU to Sensor communication mode. The search number is specified by x.

|                   |                                                                                                                                                                                                                                                        |
|-------------------|--------------------------------------------------------------------------------------------------------------------------------------------------------------------------------------------------------------------------------------------------------|
| <b>Conditions</b> | Requires option SR-PSI5                                                                                                                                                                                                                                |
| <b>Group</b>      | Search and Mark                                                                                                                                                                                                                                        |
| <b>Syntax</b>     | SEARCH:SEARCH<x>:TRIGger:A:BUS:PSIFIVE:DATABITS<br>{FOURBIT EIGHTBIT TWENTYBIT}<br>SEARCH:SEARCH<x>:TRIGger:A:BUS:PSIFIVE:DATABITS?                                                                                                                    |
| <b>Arguments</b>  | FOURBIT specifies the data bit value as 4 bit.<br>EIGHTBIT specifies the data bit value as 8 bit.<br>TWENTYBIT specifies the data bit value as 20 bit.                                                                                                 |
| <b>Examples</b>   | SEARCH:SEARCH1:TRIGGER:A:BUS:PSIFIVE:DATABITS FOURBIT specifies sets data bit as 4 bit.<br>SEARCH:SEARCH1:TRIGGER:A:BUS:PSIFIVE:DATABITS? might return :SEARCH:SEARCH1:TRIGGER:A:BUS:PSIFIVE:DATABITS EIGHTBIT, indicating that the data bit is 8 bit. |

## SEARCH:SEARCH<x>:TRIGger:A:BUS:PSIFIVE:ERRORTYPE

This command sets or queries the error type for an PSI5 bus. The search number is specified by x.

|                   |                                                                                                                                                                                                                                           |
|-------------------|-------------------------------------------------------------------------------------------------------------------------------------------------------------------------------------------------------------------------------------------|
| <b>Conditions</b> | Requires option SR-PSI5                                                                                                                                                                                                                   |
| <b>Group</b>      | Search and Mark                                                                                                                                                                                                                           |
| <b>Syntax</b>     | SEARCH:SEARCH<x>:TRIGger:A:BUS:PSIFIVE:ERRORTYPE<br>{ANY PARi ty CRC RESPONSECODE}<br>SEARCH:SEARCH<x>:TRIGger:A:BUS:PSIFIVE:ERRORTYPE?                                                                                                   |
| <b>Arguments</b>  | ANY specifies the error type value as any. This is the default value.<br>PARi ty specifies the error type value as parity.<br>CRC specifies the error type value as CRC.<br>RESPONSECODE specifies the error type value as response code. |

**Examples**     `SEARCH:SEARCH1:TRIGGER:A:BUS:PSIFIVE:ERRORType` `PARity` specifies parity as the field within a PSI5 frame to search on.

`SEARCH:SEARCH1:TRIGGER:A:BUS:PSIFIVE:ERRORType?` might return `:SEARCH:SEARCH1:TRIGGER:A:BUS:PSIFIVE:ERRORType` `PARity`, indicating that parity is the current specified field within a PSI5 frame to search on.

## **SEARCH:SEARCH<x>:TRIGger:A:BUS:PSIFIVE:FUNCTIONCODEType**

This command sets or queries the binary data string used for PSI5 triggering if the trigger condition is a Function Code. The search number is specified by x.

**Conditions**     Requires option SR-PSI5

**Group**         Search and Mark

**Syntax**         `SEARCH:SEARCH<x>:TRIGger:A:BUS:PSIFIVE:FUNCTIONCODEType`  
                       `<QString>`  
                       `SEARCH:SEARCH<x>:TRIGger:A:BUS:PSIFIVE:FUNCTIONCODEType?`

**Arguments**     `<QString>` specifies the value of the data string. The valid characters are 0, 1, and X for values in binary format; and A-F, 0-9, and X for values in hexadecimal format.

**Examples**        `SEARCH:SEARCH1:TRIGGER:A:BUS:PSIFIVE:FUNCTIONCODEType` "011" specifies function code as "011".

`SEARCH:SEARCH1:TRIGGER:A:BUS:PSIFIVE:FUNCTIONCODEType?` might return `:SEARCH:SEARCH1:TRIGGER:A:BUS:PSIFIVE:FUNCTIONCODEType` "011", indicating that Function Code Type is currently "011".

## **SEARCH:SEARCH<x>:TRIGger:A:BUS:PSIFIVE:REGister:ADDRess:VALue**

This command sets or queries the binary register address string used for PSI5 triggering if the trigger condition is Register Address. The search number is specified by x.

**Conditions**     Requires option SR-PSI5

**Group**         Search and Mark

|                  |                                                                                                                                                                                                                                                                                                                                     |
|------------------|-------------------------------------------------------------------------------------------------------------------------------------------------------------------------------------------------------------------------------------------------------------------------------------------------------------------------------------|
| <b>Syntax</b>    | SEARCH:SEARCH<x>:TRIGger:A:BUS:PSIFIVE:REGister:ADDRESS:VALUE <QString><br>SEARCH:SEARCH<x>:TRIGger:A:BUS:PSIFIVE:REGister:ADDRESS:VALUE?                                                                                                                                                                                           |
| <b>Arguments</b> | <QString> specifies the value of the data string. The valid characters are 0, 1, and X for values in binary format; and A-F, 0-9, and X for values in hexadecimal format.                                                                                                                                                           |
| <b>Examples</b>  | SEARCH:SEARCH1:TRIGger:A:BUS:PSIFIVE:REGister:ADDRESS:VALUE "0111100111" sets the register address value as "0111100111".<br><br>SEARCH:SEARCH1:TRIGger:A:BUS:PSIFIVE:REGister:ADDRESS:VALUE? might return :SEARCH:SEARCH1:TRIGger:A:BUS:PSIFIVE:REGister:ADDRESS:VALUE "011", indicating that the register address value is "011". |

## SEARCH:SEARCH<x>:TRIGger:A:BUS:PSIFIVE:REGISTERADDRESS

This command sets or queries the register address for PSI5 bus. The search number is specified by x.

|                   |                                                                                                                                                                                                                                                                                                                                                                                                         |
|-------------------|---------------------------------------------------------------------------------------------------------------------------------------------------------------------------------------------------------------------------------------------------------------------------------------------------------------------------------------------------------------------------------------------------------|
| <b>Conditions</b> | Requires option SR-PSI5                                                                                                                                                                                                                                                                                                                                                                                 |
| <b>Group</b>      | Search and Mark                                                                                                                                                                                                                                                                                                                                                                                         |
| <b>Syntax</b>     | SEARCH:SEARCH<x>:TRIGger:A:BUS:PSIFIVE:REGISTERADDRESS {TWOBIT SIXBIT EIGHTBIT}<br>SEARCH:SEARCH<x>:TRIGger:A:BUS:PSIFIVE:REGISTERADDRESS?                                                                                                                                                                                                                                                              |
| <b>Arguments</b>  | TWOBIT specifies the register address value as 2 bit. This is the default value.<br><br>SIXBIT specifies the register address value as 6 bit.<br><br>EIGHTBIT specifies the register address value as 8 bit.                                                                                                                                                                                            |
| <b>Examples</b>   | SEARCH:SEARCH1:TRIGGER:A:BUS:PSIFIVE:REGISTERADDRESS SIXBIT specifies the register address as 6 bit as the field within a PSI5 frame to search on.<br><br>SEARCH:SEARCH1:TRIGGER:A:BUS:PSIFIVE:REGISTERADDRESS? might return :SEARCH:SEARCH1:TRIGGER:A:BUS:PSIFIVE:REGISTERADDRESS SIXBIT, indicating that register address as 6 bit is the currently specified field within a PSI5 frame to search on. |

## SEARCH:SEARCH<x>:TRIGger:A:BUS:PSIFIVE:SENSor:ADDRess:VALue

This command sets or queries the binary sensor address string used for PSI5 triggering if the trigger condition is Sensor Address. The search number is specified by x.

|                   |                                                                                                                                                                                                                                                                                                                              |
|-------------------|------------------------------------------------------------------------------------------------------------------------------------------------------------------------------------------------------------------------------------------------------------------------------------------------------------------------------|
| <b>Conditions</b> | Requires option SR-PSI5                                                                                                                                                                                                                                                                                                      |
| <b>Group</b>      | Search and Mark                                                                                                                                                                                                                                                                                                              |
| <b>Syntax</b>     | SEARCH:SEARCH<x>:TRIGger:A:BUS:PSIFIVE:SENSor:ADDRess:VALue<br><QString><br>SEARCH:SEARCH<x>:TRIGger:A:BUS:PSIFIVE:SENSor:ADDRess:VALue?                                                                                                                                                                                     |
| <b>Arguments</b>  | <QString> specifies the value of the data string. The valid characters are 0, 1, and X for values in binary format; and A-F, 0-9, and X for values in hexadecimal format.                                                                                                                                                    |
| <b>Examples</b>   | SEARCH:SEARCH1:TRIGGER:A:BUS:PSIFIVE:SENSor:ADDRess:VALue<br>"101" specifies sensor address as "101".<br><br>SEARCH:SEARCH1:TRIGGER:A:BUS:PSIFIVE:SENSor:ADDRess:VALue?<br>might return<br>:SEARCH:SEARCH1:TRIGGER:A:BUS:PSIFIVE:SENSor:ADDRess:VALue<br>"101", indicating that the sensor address value is currently "101". |

## SEARCH:SEARCH<x>:TRIGger:A:BUS:PSIFIVE:SENSORSTAtus:TYPE

This command sets or queries the sensor status for PSI5 bus.

|                   |                                                                                                                                                                   |
|-------------------|-------------------------------------------------------------------------------------------------------------------------------------------------------------------|
| <b>Conditions</b> | Requires option SR-PSI5                                                                                                                                           |
| <b>Group</b>      | Search and Mark                                                                                                                                                   |
| <b>Syntax</b>     | SEARCH:SEARCH<x>:TRIGger:A:BUS:PSIFIVE:SENSORSTAtus:TYPE<br>{READY BUSY DEFect SERVICEMODE UNLocked}<br>SEARCH:SEARCH<x>:TRIGger:A:BUS:PSIFIVE:SENSORSTAtus:TYPE? |
| <b>Arguments</b>  | READY specifies the sensor status as ready. This is the default value.<br><br>BUSY specifies the sensor status as busy.                                           |

DEfect specifies the sensor status as defect.

SERVICEMODE specifies the sensor status as service mode.

UNLocked specifies the sensor status as unlocked.

**Examples** SEARCH:SEARCH1:TRIGGER:A:BUS:PSIFIVE:SENSORSTATUS:TYPE READY specifies ready as the field within a PSI5 frame to search on.

SEARCH:SEARCH1:TRIGGER:A:BUS:PSIFIVE:SENSORSTATUS:TYPE? might return :SEARCH:SEARCH1:TRIGGER:A:BUS:PSIFIVE:SENSORSTATUS:TYPE READY, indicating that ready is the specified field within a PSI5 frame to search on.

## SEARCH:SEARCH<x>:TRIGger:A:BUS:PSIFIVE:STATUs:VALue

This command sets or queries the binary status string used for PSI5 triggering if the trigger condition is status.

|                   |                                                                                                                                                                           |                                                                                                                                                                  |
|-------------------|---------------------------------------------------------------------------------------------------------------------------------------------------------------------------|------------------------------------------------------------------------------------------------------------------------------------------------------------------|
| <b>Conditions</b> | Requires option SR-PSI5                                                                                                                                                   |                                                                                                                                                                  |
| <b>Group</b>      | Search and Mark                                                                                                                                                           |                                                                                                                                                                  |
| <b>Syntax</b>     | SEARCH:SEARCH<x>:TRIGger:A:BUS:PSIFIVE:STATUs:VALue<br><QString><br>SEARCH:SEARCH<x>:TRIGger:A:BUS:PSIFIVE:STATUs:VALue?                                                  |                                                                                                                                                                  |
| <b>Arguments</b>  | <QString> specifies the value of the data string. The valid characters are 0, 1, and X for values in binary format; and A-F, 0-9, and X for values in hexadecimal format. |                                                                                                                                                                  |
| <b>Examples</b>   | SEARCH:SEARCH1:TRIGGER:A:BUS:PSIFIVE:STATUs:VALue "10" specifies the status value as "10".                                                                                | SEARCH:SEARCH1:TRIGGER:A:BUS:PSIFIVE:STATUs:VALue? might return :SEARCH:SEARCH1:TRIGGER:A:BUS:PSIFIVE:STATUs:VALue "10", indicating that the status value is 10. |

## SEARCH:SEARCH<x>:TRIGger:A:BUS:RS232C:CONDition

This command sets or queries the condition for an RS232C bus search to determine where to place a mark. The search number is specified by x.

|                   |                                                                                                                                                                                                                                                                                                                                            |
|-------------------|--------------------------------------------------------------------------------------------------------------------------------------------------------------------------------------------------------------------------------------------------------------------------------------------------------------------------------------------|
| <b>Conditions</b> | Requires option 5-SRCOMP or SUP5-SRCOMP Triggering and Analysis application.                                                                                                                                                                                                                                                               |
| <b>Group</b>      | Search and Mark                                                                                                                                                                                                                                                                                                                            |
| <b>Syntax</b>     | SEARCH:SEARCH<x>:TRIGger:A:BUS:RS232C:CONDition<br>{DATA EOP PARItYerror START}<br>SEARCH:SEARCH<x>:TRIGger:A:BUS:RS232C:CONDition?                                                                                                                                                                                                        |
| <b>Arguments</b>  | DATA specifies the search condition as Data.<br>EOP specifies the search condition as End of Packet.<br>PARItYerror specifies the search condition as Parity Error.<br>START specifies the search condition as Start.                                                                                                                      |
| <b>Examples</b>   | SEARCH:SEARCH1:TRIGGER:A:BUS:RS232C:CONDITION DATA sets the search condition for RS232C bus trigger search 1 to Data.<br><br>SEARCH:SEARCH2:TRIGGER:A:BUS:RS232C:CONDITION? might return :SEARCH:SEARCH2:TRIGGER:A:BUS:RS232C:CONDITION EOP, indicating that the search condition for RS232C bus trigger search 2 is set to End of Packet. |

## SEARCH:SEARCH<x>:TRIGger:A:BUS:RS232C:DATA:SIZE

This command sets or queries the length of the data string in bytes to be used for an RS232 bus search to determine where to place a mark when the search condition is Data. The search number is specified by x.

|                   |                                                                                                                                   |
|-------------------|-----------------------------------------------------------------------------------------------------------------------------------|
| <b>Conditions</b> | Requires option 5-SRCOMP or SUP5-SRCOMP Triggering and Analysis application.                                                      |
| <b>Group</b>      | Search and Mark                                                                                                                   |
| <b>Syntax</b>     | SEARCH:SEARCH<x>:TRIGger:A:BUS:RS232C:DATA:SIZE <NR3><br>SEARCH:SEARCH<x>:TRIGger:A:BUS:RS232C:DATA:SIZE?                         |
| <b>Arguments</b>  | <NR3> is the number of bits per word in the data string, from 1 to 8.                                                             |
| <b>Examples</b>   | SEARCH:SEARCH1:TRIGGER:A:BUS:RS232C:DATA:SIZE 1 sets the number of bits per word in RS232C bus trigger search 1 data string to 1. |

SEARCH:SEARCH2:TRIGGER:A:BUS:RS232C:DATA:SIZE? might return  
:SEARCH:SEARCH2:TRIGGER:A:BUS:RS232C:DATA:SIZE 8, indicating that  
the bits per word for RS232C bus trigger search 2 is set to 8.

## SEARCH:SEARCH<x>:TRIGger:A:BUS:RS232C:DATA:VALue

This command sets or queries the data string used for the specified RS232C bus trigger search to determine where to place a mark. The search condition must be Data. The search number is specified by x.

|                   |                                                                                                                                                                                                                                                                                                                                                                                                                         |
|-------------------|-------------------------------------------------------------------------------------------------------------------------------------------------------------------------------------------------------------------------------------------------------------------------------------------------------------------------------------------------------------------------------------------------------------------------|
| <b>Conditions</b> | Requires option 5-SRCOMP or SUP5-SRCOMP Triggering and Analysis application.                                                                                                                                                                                                                                                                                                                                            |
| <b>Group</b>      | Search and Mark                                                                                                                                                                                                                                                                                                                                                                                                         |
| <b>Syntax</b>     | SEARCH:SEARCH<x>:TRIGger:A:BUS:RS232C:DATA:VALue <QString><br>SEARCH:SEARCH<x>:TRIGger:A:BUS:RS232C:DATA:VALue?                                                                                                                                                                                                                                                                                                         |
| <b>Arguments</b>  | <QString> specifies the value of the data string. The valid characters are 0, 1, and X for values in binary format; and A-F, 0-9, and X for values in hexadecimal format.                                                                                                                                                                                                                                               |
| <b>Examples</b>   | SEARCH:SEARCH1:TRIGGER:A:BUS:RS232C:DATA:VALUE "01" sets the value of the data string for RS232C bus trigger search 1 to "01" when the format is hexadecimal.<br><br>SEARCH:SEARCH1:TRIGGER:A:BUS:RS232C:DATA:VALUE? might return<br>SEARCH:SEARCH1:TRIGGER:A:BUS:RS232C:DATA:VALUE "XXXXXXXX1", indicating that the data string value for RS232C bus trigger search 1 is set to "XXXXXXXX1" when the format is binary. |

## SEARCH:SEARCH<x>:TRIGger:A:BUS:S8B10B:CONDition

This command sets or queries the type of data search for an 8B10B bus. The search number is specified by x.

|                   |                                                           |
|-------------------|-----------------------------------------------------------|
| <b>Conditions</b> | Requires the SR8B10b Triggering and Analysis application. |
| <b>Group</b>      | Search and Mark                                           |



**Syntax** SEARCH:SEARCH<x>:TRIGger:A:BUS:S8B10B:CONDition  
{SYMBOLs|ERRORs}  
SEARCH:SEARCH<x>:TRIGger:A:BUS:S8B10B:CONDition?

**Related Commands** SEARCH:SEARCH<x>:TRIGger:A:BUS:S8B10B:DISParity  
SEARCH:SEARCH<x>:TRIGger:A:BUS:S8B10B:ERRor  
SEARCH:SEARCH<x>:TRIGger:A:BUS:S8B10B:SYMBOL:CSYMVALue  
SEARCH:SEARCH<x>:TRIGger:A:BUS:S8B10B:SYMBOL:EBITVALue  
SEARCH:SEARCH<x>:TRIGger:A:BUS:S8B10B:SYMBOL:MODE  
SEARCH:SEARCH<x>:TRIGger:A:BUS:S8B10B:SYMBOL:TBITVALue  
SEARCH:SEARCH<x>:TRIGger:A:BUS:S8B10B:SYMBOL:TYPE

**Arguments** SEARCH<x> is the number of the search.  
SYMBOLs specifies the search condition as data or control.  
ERRORs specifies the search condition as Symbol error or disparity error.

**Examples** SEARCH:SEARCH1:TRIGGER:A:BUS:S8B10B:CONDition SYMBOL specifies Symbol as the field within an 8B10b frame to search on.  
SEARCH:SEARCH1:TRIGGER:A:BUS:S8B10B:CONDITION? might return :SEARCH:SEARCH1:TRIGGER:A:BUS:S8B10B:CONDITION SYMBOL, indicating that SYMBOL is the currently specified field within an 8B10b frame to search on.

## SEARCH:SEARCH<x>:TRIGger:A:BUS:S8B10B:DISParity

This command sets or queries the disparity to be used when searching on a 8B10b signal. The search condition must be set to Symbols > 8-bit.

**Conditions** Requires the SR8B10b Triggering and Analysis application.

**Group** Search and Mark

**Syntax** SEARCH:SEARCH<x>:TRIGger:A:BUS:S8B10B:DISParity  
{POSITIVE|NEGATIVE|EITHER}  
SEARCH:SEARCH<x>:TRIGger:A:BUS:S8B10B:DISParity?

|                         |                                                                                                                                                                                                                                                          |
|-------------------------|----------------------------------------------------------------------------------------------------------------------------------------------------------------------------------------------------------------------------------------------------------|
| <b>Related Commands</b> | <a href="#">SEARCH:SEARCH&lt;x&gt;:TRIGger:A:BUS:S8B10B:CONDition</a>                                                                                                                                                                                    |
| <b>Arguments</b>        | SEARCH<x> is the Search identifier number.<br>POSITIVe specifies searching for positive disparity.<br>NEGATive specifies searching for negative disparity.<br>EITHer specifies searching for neutral or either positive/negative disparity.              |
| <b>Examples</b>         | SEARCH:SEARCH1:TRIGger:A:BUS:S8B10B:DISParity POSITIVE sets the disparity to positive.<br><br>SEARCH:SEARCH1:TRIGger:A:BUS:S8B10B:DISParity? might return :SEARCH:SEARCH1:TRIGGER:A:BUS:S8B10B:DISParity POSITIVE, indicating the disparity is positive. |

## SEARCH:SEARCH<x>:TRIGger:A:BUS:S8B10B:ERRor

This command sets or queries the error type to be used when searching on a 8B10b signal. The search condition must be set to Errors.

|                         |                                                                                                                                                    |
|-------------------------|----------------------------------------------------------------------------------------------------------------------------------------------------|
| <b>Conditions</b>       | Requires the SR8B10b Triggering and Analysis application.                                                                                          |
| <b>Group</b>            | Search and Mark                                                                                                                                    |
| <b>Syntax</b>           | SEARCH:SEARCH<x>:TRIGger:A:BUS:S8B10B:ERRor<br>{SYMBol DISParity}<br>SEARCH:SEARCH<x>:TRIGger:A:BUS:S8B10B:ERRor?                                  |
| <b>Related Commands</b> | <a href="#">SEARCH:SEARCH&lt;x&gt;:TRIGger:A:BUS:S8B10B:CONDition</a>                                                                              |
| <b>Arguments</b>        | SEARCH<x> is the Search identifier number.<br>SYMBol specifies searching for Symbol Errors.<br>DISParity specifies searching for Disparity Errors. |
| <b>Examples</b>         | SEARCH:SEARCH1:TRIGger:A:BUS:S8B10B:ERRor DISParity sets the error type to Disparity.                                                              |

SEARCH:SEARCH1:TRIGger:A:BUS:S8B10B:ERRor? might return  
:SEARCH:SEARCH1:TRIGGER:A:BUS:S8B10B:ERRor DISPARITY, indicating  
the Error type to be disparity.

## SEARCH:SEARCH<x>:TRIGger:A:BUS:S8B10B:SYMBol:CSYMVALue

This command sets or queries the control symbol value to be used when searching on 8b10b signal. The default is all X's (don't care). The search condition needs to be set to Symbols. The search number is specified by x.

**Conditions** Requires the SR8B10b Triggering and Analysis application.

**Group** Search and Mark

**Syntax** SEARCH:SEARCH<x>:TRIGger:A:BUS:S8B10B:SYMBol:CSYMVALue  
<QString>  
SEARCH:SEARCH<x>:TRIGger:A:BUS:S8B10B:SYMBol:CSYMVALue?

**Related Commands** [SEARCH:SEARCH<x>:TRIGger:A:BUS:S8B10B:CONDition](#)

**Arguments** SEARCH<x> is the Search identifier number.  
<QString> specifies the 10 bit value.

**Examples** SEARCH:SEARCH1:TRIGger:A:BUS:S8B10B:SYMBol:CSYMVALue "D28.5"  
specifies the value to be used while searching.  
  
SEARCH:SEARCH1:TRIGger:A:BUS:S8B10B:SYMBol:CSYMVALue? might  
return :SEARCH:SEARCH1:TRIGGER:A:BUS:S8B10B:SYMBol:CSYMVALue  
"D28.5", indicating the value to be used while searching.

## SEARCH:SEARCH<x>:TRIGger:A:BUS:S8B10B:SYMBol:EBITVALue

This command specifies the 8 bit value to be used when searching on an 8b10b signal. The default is all X's (don't care). The search condition needs to be set to Symbols. The search number is specified by x.

**Conditions** Requires the SR8B10b Triggering and Analysis application.

**Group** Search and Mark

**Syntax** SEARCH:SEARCH<x>:TRIGger:A:BUS:S8B10B:SYMbo1:EBITVALue  
<QString>  
SEARCH:SEARCH<x>:TRIGger:A:BUS:S8B10B:SYMbo1:EBITVALue?

**Related Commands** [SEARCH:SEARCH<x>:TRIGger:A:BUS:S8B10B:CONDition](#)

**Arguments** SEARCH<x> is the Search identifier number.  
<QString> specifies the 8 bit value.

**Examples** SEARCH:SEARCH1:TRIGger:A:BUS:S8B10B:SYMbo1:EBITVALue  
"00001000" specifies hexadecimal 08 as the value to be used while searching.  
SEARCH:SEARCH1:TRIGger:A:BUS:S8B10B:SYMbo1:EBITVALue? might  
return :SEARCH:SEARCH1:TRIGGER:A:BUS:S8B10B:SYMbo1:EBITVALue  
"00001000", indicating the binary value and 08 as the hexadecimal value to be  
used while searching.

## SEARCH:SEARCH<x>:TRIGger:A:BUS:S8B10B:SYMbo1:MODE

This command sets or queries the mode of data search to be used when searching on 8b10b signal. The search condition must be set to Symbols.

**Conditions** Requires the SR8B10b Triggering and Analysis application.

**Group** Search and Mark

**Syntax** SEARCH:SEARCH<x>:TRIGger:A:BUS:S8B10B:SYMbo1:MODE  
{EBIT|TBIT|SYMB}  
SEARCH:SEARCH<x>:TRIGger:A:BUS:S8B10B:SYMbo1:MODE?

**Related Commands** [SEARCH:SEARCH<x>:TRIGger:A:BUS:S8B10B:CONDition](#)

**Arguments** SEARCH<x> is the number of the search.  
EBIT specifies searching for Eight Bit data.  
TBIT specifies searching for Ten bit data (6 bits and 4 bits combined). Only valid values are considered.  
SYMB specifies searching for symbol data with disparity. Takes only K and D with possible values..

**Examples** SEARCH:SEARCH1:TRIGger:A:BUS:S8B10B:SYMBOL:MODE TBIT sets the symbol mode to tbit.

SEARCH:SEARCH1:TRIGger:A:BUS:S8B10B:SYMBOL:MODE? might return :SEARCH:SEARCH1:TRIGGER:A:BUS:S8B10B:SYMBOL:MODE TBIT, indicating the symbol mode to be tbit.

## SEARCH:SEARCH<x>:TRIGger:A:BUS:S8B10B:SYMBOL:TBITRDNeg

This command specifies the 10 bit RD negative value to be used when searching on an 8b10b signal. The default is all X's (don't care). The search condition needs to be set to Symbols. The search number is specified by x.

**Conditions** Requires the SR8B10b Triggering and Analysis application.

**Group** Search and Mark

**Syntax** SEARCH:SEARCH<x>:TRIGger:A:BUS:S8B10B:SYMBOL:TBITRDNeg  
<QString>  
SEARCH:SEARCH<x>:TRIGger:A:BUS:S8B10B:SYMBOL:TBITRDNeg?

**Related Commands** [SEARCH:SEARCH<x>:TRIGger:A:BUS:S8B10B:CONDition](#)

**Arguments** SEARCH<x> is the Search identifier number.  
<QString> specifies the 10 bit RD negative value.

**Examples** SEARCH:SEARCH1:TRIGger:A:BUS:S8B10B:SYMBOL:TBITRDNeg "0011101010" specifies hexadecimal 0EA as the value to be used while searching.

SEARCH:SEARCH1:TRIGger:A:BUS:S8B10B:SYMBOL:TBITRDNeg? might return :SEARCH:SEARCH1:TRIGGER:A:BUS:S8B10B:SYMBOL:TBITRDNeg "0011101010", indicating the binary value and 0EA as the hexadecimal value to be used while searching.

## SEARCH:SEARCH<x>:TRIGger:A:BUS:S8B10B:SYMBOL:TBITRDPos

This command specifies the 10 bit RD positive value to be used when searching on an 8b10b signal. The default is all X's (don't care). The search condition needs to be set to Symbols. The search number is specified by x.

|                         |                                                                                                                                                                                                                                                                                                                                                                                         |
|-------------------------|-----------------------------------------------------------------------------------------------------------------------------------------------------------------------------------------------------------------------------------------------------------------------------------------------------------------------------------------------------------------------------------------|
| <b>Conditions</b>       | Requires the SR8B10b Triggering and Analysis application.                                                                                                                                                                                                                                                                                                                               |
| <b>Group</b>            | Search and Mark                                                                                                                                                                                                                                                                                                                                                                         |
| <b>Syntax</b>           | SEARCH:SEARCH<x>:TRIGger:A:BUS:S8B10B:SYMbo1:TBITRDPos<br><QString><br>SEARCH:SEARCH<x>:TRIGger:A:BUS:S8B10B:SYMbo1:TBITRDPos?                                                                                                                                                                                                                                                          |
| <b>Related Commands</b> | <a href="#">SEARCH:SEARCH&lt;x&gt;:TRIGger:A:BUS:S8B10B:CONDition</a>                                                                                                                                                                                                                                                                                                                   |
| <b>Arguments</b>        | SEARCH<x> is the Search identifier number.<br><br><QString> specifies the 10 bit RD positive value.                                                                                                                                                                                                                                                                                     |
| <b>Examples</b>         | SEARCH:SEARCH1:TRIGger:A:BUS:S8B10B:SYMbo1:TBITRDPos<br>"0011101010" specifies hexadecimal 0EA as the value to be used while searching.<br><br>SEARCH:SEARCH1:TRIGger:A:BUS:S8B10B:SYMbo1:TBITRDPos? might<br>return :SEARCH:SEARCH1:TRIGGER:A:BUS:S8B10B:SYMbo1:TBITRDPos<br>"0011101010", indicating the binary value and 0EA as the hexadecimal value to<br>be used while searching. |

## SEARCH:SEARCH<x>:TRIGger:A:BUS:S8B10B:SYMBOL:TBITVALue

This command specifies the 10 bit value to be used when searching on an 8b10b signal. The default is all X's (don't care). The search condition needs to be set to Symbols. The search number is specified by x.

|                         |                                                                                                                                |
|-------------------------|--------------------------------------------------------------------------------------------------------------------------------|
| <b>Conditions</b>       | Requires the SR8B10b Triggering and Analysis application.                                                                      |
| <b>Group</b>            | Search and Mark                                                                                                                |
| <b>Syntax</b>           | SEARCH:SEARCH<x>:TRIGger:A:BUS:S8B10B:SYMbo1:TBITVALue<br><QString><br>SEARCH:SEARCH<x>:TRIGger:A:BUS:S8B10B:SYMbo1:TBITVALue? |
| <b>Related Commands</b> | <a href="#">SEARCH:SEARCH&lt;x&gt;:TRIGger:A:BUS:S8B10B:CONDition</a>                                                          |

**Arguments** SEARCH<x> is the Search identifier number.  
 <QString> specifies the 10 bit value.

**Examples** SEARCH:SEARCH1:TRIGger:A:BUS:S8B10B:SYMBOL:TBITVALue "0011101010" specifies hexadecimal 0EA as the value to be used while searching.  
 SEARCH:SEARCH1:TRIGger:A:BUS:S8B10B:SYMBOL:TBITVALue? might return :SEARCH:SEARCH1:TRIGGER:A:BUS:S8B10B:SYMBOL:TBITVALue "0011101010", indicating the binary value and 0EA as the hexadecimal value to be used while searching.

## SEARCH:SEARCH<x>:TRIGger:A:BUS:S8B10B:SYMBOL:TYPE

This command sets or queries the type of symbol when searching on 8b10b signal. The search condition must be set to Symbols.

**Conditions** Requires the SR8B10b Triggering and Analysis application.

**Group** Search and Mark

**Syntax** SEARCH:SEARCH<x>:TRIGger:A:BUS:S8B10B:SYMBOL:TYPE {DATA|CONTRol}  
 SEARCH:SEARCH<x>:TRIGger:A:BUS:S8B10B:SYMBOL:TYPE?

**Related Commands** [SEARCH:SEARCH<x>:TRIGger:A:BUS:S8B10B:CONDition](#)

**Arguments** SEARCH<x> is the number of the search.  
 DATA specifies searching for Data Symbols.  
 CONTRol specifies searching for Control Symbols.

**Examples** SEARCH:SEARCH1:TRIGger:A:BUS:S8B10B:SYMBOL:TYPE DATA sets the symbol type to data.  
 SEARCH:SEARCH1:TRIGger:A:BUS:S8B10B:SYMBOL:TYPE? might return :SEARCH:SEARCH1:TRIGGER:A:BUS:S8B10B:SYMBOL:TYPE DATA, indicating the symbol type to be data.

## SEARCH:SEARCH<x>:TRIGger:A:BUS:SDLC:ADDReSS:TYPe

This commands specifies the Address type in SDLC frame which can be Broadcast, No-Station and Address value can be specified.

**Conditions** Requires option SR-SDLC.

**Group** Search and Mark

**Syntax** SEARCH:SEARCH<x>:TRIGger:A:BUS:SDLC:ADDReSS:TYPe  
{BROadcast|NOSTATIon|STATIONADDR}  
SEARCH:SEARCH<x>:TRIGger:A:BUS:SDLC:ADDReSS:TYPe?

**Arguments** SEARCH<x> is the number of the search.

BROadcast specifies the Broadcast as the field within a SDLC frame to search on. BROadcast is the default value.

NOSTATIon specifies the No-Station as the field within a SDLC frame to search on.

STATIONADDR specifies the Address as the field within a SDLC frame to search on.

**Examples** SEARCH:SEARCH1:TRIGGER:A:BUS:SDLC:ADDReSS:TYPe BROadcast specifies the Address Type as the field within a SDLC frame to search on.  
SEARCH:SEARCH1:TRIGGER:A:BUS:SDLC:ADDReSS:TYPe? might return :SEARCH:SEARCH1:TRIGGER:A:BUS:SDLC:ADDReSS:TYPe BROadcast, indicating that the Address Type is specified as Broadcast.

## SEARCH:SEARCH<x>:TRIGger:A:BUS:SDLC:CONDition

This command sets or queries the trigger condition for a SDLC bus.

**Conditions** Requires option SR-SDLC.

**Group** Search and Mark

**Syntax** SEARCH:SEARCH<x>:TRIGger:A:BUS:SDLC:CONDition {START| DATA| ABORT| ADDRESS| UNNumbered| INformation| SUPervisory| ERRors| END}  
SEARCH:SEARCH<x>:TRIGger:A:BUS:SDLC:CONDition?



**Arguments** SEARCH<x> is the number of the search.

START specifies start as the field within a SDLC frame to search on. The default Trigger on Condition is START.

DATA specifies data as the field within a SDLC frame to search on.

ABORT specifies abort as the field within a SDLC frame to search on.

ADDRESS specifies address as the field within a SDLC frame to search on.

UNNUMBERED specifies unnumbered as the field within a SDLC frame to search on.

INFORMATION specifies information as the field within a SDLC frame to search on.

SUPERVISORY specifies supervisory as the field within a SDLC frame to search on.

ERRORS specifies errors as the field within a SDLC frame to search on.

END specifies end as the field within a SDLC frame to search on.

**Examples** SEARCH:SEARCH1:TRIGGER:A:BUS:SDLC:CONDITION START specifies start as the field within a SDLC frame to search on.

SEARCH:SEARCH1:TRIGGER:A:BUS:SDLC:CONDITION? might return :SEARCH:SEARCH1:TRIGGER:A:BUS:SDLC:CONDITION START, indicating that start is the currently specified field within a SDLC frame to search on.

## SEARCH:SEARCH<x>:TRIGGER:A:BUS:SDLC:DATA:SIZE

This command specifies the length of the data string in bytes to be used for SDLC triggering if the trigger condition is DATA. The search number is specified by x.

**Conditions** Requires option SR-SDLC.

**Group** Search and Mark

**Syntax** SEARCH:SEARCH<x>:TRIGGER:A:BUS:SDLC:DATA:SIZE <NR3>  
SEARCH:SEARCH<x>:TRIGGER:A:BUS:SDLC:DATA:SIZE?

**Arguments** <NR3> is the length of the data string in bytes. The default Data size is 1, otherwise ranges between 1 to 5.

**Examples** SEARCH:SEARCH1:TRIGGER:A:BUS:SDLC:DATA:SIZE 4 sets the data size value as 4.

SEARCH:SEARCH1:TRIGGER:A:BUS:SDLC:DATA:SIZE? might return  
:SEARCH:SEARCH1:TRIGGER:A:BUS:SDLC:DATA:SIZE 4, indicating that  
the data size value is 4.

## SEARCH:SEARCH<x>:TRIGger:A:BUS:SDLC:DATA:VALue

This command specifies the binary data string used for SDLC triggering if the trigger condition is DATA. The search number is specified by x.

|                   |                                                                                                                                                                                                                                                                                       |
|-------------------|---------------------------------------------------------------------------------------------------------------------------------------------------------------------------------------------------------------------------------------------------------------------------------------|
| <b>Conditions</b> | Requires option SR-SDLC.                                                                                                                                                                                                                                                              |
| <b>Group</b>      | Search and Mark                                                                                                                                                                                                                                                                       |
| <b>Syntax</b>     | SEARCH:SEARCH<x>:TRIGger:A:BUS:SDLC:DATA:VALue <QString><br>SEARCH:SEARCH<x>:TRIGger:A:BUS:SDLC:DATA:VALue?                                                                                                                                                                           |
| <b>Arguments</b>  | <QString> specifies the value of the data string. The default value is<br>XXXXXXXX .                                                                                                                                                                                                  |
| <b>Examples</b>   | SEARCH:SEARCH1:TRIGGER:A:BUS:SDLC:DATA:VALue "0111100111"<br>sets the Data value as "0111100111".<br><br>SEARCH:SEARCH1:TRIGGER:A:BUS:SDLC:DATA:VALue? might return<br>:SEARCH:SEARCH1:TRIGGER:A:BUS:SDLC:DATA:VALue "0111100111",<br>indicating that the data value is "0111100111". |

## SEARCH:SEARCH<x>:TRIGger:A:BUS:SDLC:ERROR:TYPE

This command sets or queries the Error Type in SDLC bus.

|                   |                                                                                                                         |
|-------------------|-------------------------------------------------------------------------------------------------------------------------|
| <b>Conditions</b> | Requires option SR-SDLC.                                                                                                |
| <b>Group</b>      | Search and Mark                                                                                                         |
| <b>Syntax</b>     | SEARCH:SEARCH<x>:TRIGger:A:BUS:SDLC:ERROR:TYPE<br>{FCS NUMERICORDER}<br>SEARCH:SEARCH<x>:TRIGger:A:BUS:SDLC:ERROR:TYPE? |

- Arguments** SEARCH<x> is the number of the search.
- FCS sets FCS as the Error Type in SDLC bus. The default error type condition is FCS
- NUMERICORDER sets NUMERICORDER as the Error Type in SDLC bus.
- Examples** SEARCH:SEARCH1:TRIGGER:A:BUS:SDLC:ERROR:TYPE FCS specifies parity as the field within a FCS frame to search on.
- SEARCH:SEARCH1:TRIGGER:A:BUS:SDLC:ERROR:TYPE? might return :SEARCH:SEARCH1:TRIGGER:A:BUS:SDLC:ERROR:TYPE FCS, indicating that FCS is the currently specified field within a FCS frame to search on.

## SEARCH:SEARCH<x>:TRIGGER:A:BUS:SDLC:FRAME:TYPE

This command sets or queries the Frame Type in SDLC bus.

- Conditions** Requires option SR-SDLC.
- Group** Search and Mark
- Syntax** SEARCH:SEARCH<x>:TRIGGER:A:BUS:SDLC:FRAME:TYPE {COMMAND|RESPONSE|BOTH}  
SEARCH:SEARCH<x>:TRIGGER:A:BUS:SDLC:FRAME:TYPE?
- Arguments** SEARCH<x> is the number of the search.
- COMMAND sets Command as the Frame Type in SDLC bus. The default value of frame type for SDLC Unnumbered frame is Command.
- RESPONSE sets Response as the Frame Type in SDLC bus.
- BOTH sets both Command and Response as the Frame Type in SDLC bus.
- Examples** SEARCH:SEARCH1:TRIGGER:A:BUS:SDLC:FRAME:TYPE RESPONSE specifies the frame type as Response.
- SEARCH:SEARCH1:TRIGGER:A:BUS:SDLC:FRAME:TYPE? might return :SEARCH:SEARCH1:TRIGGER:A:BUS:SDLC:FRAME:TYPE RESPONSE, indicating that frame type is Response for Unnumbered frames and accordingly packet list will change.

## SEARCH:SEARCH<x>:TRIGger:A:BUS:SDLC:STADdress:VALue

This command specifies the binary Station Address string used for SDLC triggering if the trigger condition is Address. The search number is specified by x.

|                         |                                                                                                                                                                                                                                                                                                                            |
|-------------------------|----------------------------------------------------------------------------------------------------------------------------------------------------------------------------------------------------------------------------------------------------------------------------------------------------------------------------|
| <b>Conditions</b>       | Requires option SR-SDLC.                                                                                                                                                                                                                                                                                                   |
| <b>Group</b>            | Search and Mark                                                                                                                                                                                                                                                                                                            |
| <b>Syntax</b>           | SEARCH:SEARCH<x>:TRIGger:A:BUS:SDLC:STADdress:VALue<br><QString><br>SEARCH:SEARCH<x>:TRIGger:A:BUS:SDLC:STADdress:VALue?                                                                                                                                                                                                   |
| <b>Related Commands</b> | <a href="#">SEARCH:SEARCH&lt;x&gt;:TRIGger:A:BUS:SDLC:ADDRes:TYPE</a>                                                                                                                                                                                                                                                      |
| <b>Arguments</b>        | <QString> specifies the value of the data string. The default value is XXXXXXXX.                                                                                                                                                                                                                                           |
| <b>Examples</b>         | SEARCH:SEARCH1:TRIGGER:A:BUS:SDLC:STADdress:VALue<br>"0111100111" sets the Station Address value as "0111100111".<br><br>SEARCH:SEARCH1:TRIGGER:A:BUS:SDLC:STADdress:VALue? might<br>return :SEARCH:SEARCH1:TRIGGER:A:BUS:SDLC:STADdress:VALue<br>"0111100111", indicating that the station address value is "0111100111". |

## SEARCH:SEARCH<x>:TRIGger:A:BUS:SDLC:SUPervisory:FRAMETYPE

This command sets or queries the Supervisory Frame Type in SDLC bus.

|                   |                                                                                                                                         |
|-------------------|-----------------------------------------------------------------------------------------------------------------------------------------|
| <b>Conditions</b> | Requires option SR-SDLC.                                                                                                                |
| <b>Group</b>      | Search and Mark                                                                                                                         |
| <b>Syntax</b>     | SEARCH:SEARCH<x>:TRIGger:A:BUS:SDLC:SUPervisory:FRAMETYPE<br>{RR RNR REJ}<br>SEARCH:SEARCH<x>:TRIGger:A:BUS:SDLC:SUPervisory:FRAMETYPE? |
| <b>Arguments</b>  | SEARCH<x> is the number of the search.<br><br>RR sets the frame type as RR.                                                             |

RNR sets the frame type as RNR.

REJ sets the frame type as REJ.

**Examples**     `SEARCH:SEARCH1:TRIGGER:A:BUS:SDLC:SUPERVISORY:FRAMETYPE RNR` specifies Receive Not Ready supervisory packet type.

`SEARCH:SEARCH1:TRIGGER:A:BUS:SDLC:SUPERVISORY:FRAMETYPE?` might return

`:SEARCH:SEARCH1:TRIGGER:A:BUS:SDLC:SUPERVISORY:FRAMETYPE RNR,` indicating that RNR is the currently specified SDLC Supervisory Packet to search on.

## **SEARCH:SEARCH<x>:TRIGger:A:BUS:SDLC:UNNumbered:FRAMETYPe**

This command sets or queries the Unnumbered Frame Type in SDLC bus.

**Conditions**     Requires option SR-SDLC.

**Group**     Search and Mark

**Syntax**     `SEARCH:SEARCH<x>:TRIGger:A:BUS:SDLC:UNNumbered:FRAMETYPE`  
`{UP|UI|SNRM|SNRME|REQDISConnect|UACK|REQSETINIT|`  
`DISCMODE|FRAMEREJ|TEST|XID|CONFigure|BEACON}`  
`SEARCH:SEARCH<x>:TRIGger:A:BUS:SDLC:UNNumbered:FRAMETYPE?`

**Related Commands**     [SEARCH:SEARCH<x>:TRIGger:A:BUS:SDLC:FRAMe:TYPe](#)

**Arguments**     `SEARCH<x>` is the number of the search.

`UP` sets the Unnumbered Frame Type as UP.

`UI` sets the Unnumbered Frame Type as UI.

`SNRM` sets the Unnumbered Frame Type as SNRM.

`SNRME` sets the Unnumbered Frame Type as SNRME.

`REQDISConnect` sets the Unnumbered Frame Type as REQDISConnect.

`UACK` sets the Unnumbered Frame Type as UACK.

`REQSETINIT` sets the Unnumbered Frame Type as REQSETINIT.

`DISCMODE` sets the Unnumbered Frame Type as DISCMODE.

`FRAMEREJ` sets the Unnumbered Frame Type as FRAMEREJ.

TEST sets the Unnumbered Frame Type as TEST.

XID sets the Unnumbered Frame Type as XID.

CONFIgure sets the Unnumbered Frame Type as CONFIgure.

BEACon sets the Unnumbered Frame Type as BEACon.

**Examples** SEARCH:SEARCH1:TRIGGER:A:BUS:SDLC:UNNumbered:FRAMETYPe SNRME specifies the frame type as SNRME.

SEARCH:SEARCH1:TRIGGER:A:BUS:SDLC:UNNumbered:FRAMETYPe? might return :SEARCH:SEARCH1:TRIGGER:A:BUS:SDLC:UNNumbered:FRAMETYPe SNRME, indicating that Unnumbered Frame type is SNRME when related command Frame Type is set as COMMANd.

## SEARCH:SEARCH<x>:TRIGger:A:BUS:SENT:CONDition

This command sets or queries the search condition for a SENT bus.

**Conditions** Requires option SRAUTOSEN.

**Group** Search and Mark

**Syntax** SEARCH:SEARCH<x>:TRIGger:A:BUS:SENT:CONDition  
{START|FAST|SLOW|PAUSE|ERROR}  
SEARCH:SEARCH<x>:TRIGger:A:BUS:SENT:CONDition?

**Arguments** SEARCH<x> is the number of the search.  
START specifies searching for start of packet.  
FAST specifies searching for fast channel data.  
SLOW specifies searching for slow channel data.  
PAUSE specifies searching for pause pulses.  
ERROR specifies searching on errors.

**Examples** SEARCH:SEARCH1:TRIGGER:A:BUS:SENT:CONDITION SLOW specifies searching for slow channel packet.

SEARCH:SEARCH1:TRIGGER:A:BUS:SENT:CONDITION? might return SEARCH:SEARCH1:TRIGGER:A:BUS:SENT:CONDITION PAUSE, indicating the search is set to find pause pulses.

## SEARCH:SEARCH<x>:TRIGger:A:BUS:SENT:ERRType

This command sets or queries the error type to be used when searching on SENT data.

**Conditions** Requires option SRAUTOSEN.  
SENT bus trigger condition is set to ERRor.

**Group** Search and Mark

**Syntax** SEARCH:SEARCH<x>:TRIGger:A:BUS:SENT:ERRType  
{FRAMELENGTH|CRC}  
SEARCH:SEARCH<x>:TRIGger:A:BUS:SENT:ERRType?

**Related Commands** [SEARCH:SEARCH<x>:TRIGger:A:BUS:SENT:CONDition](#)

**Arguments** SEARCH<x> is the number of the search.  
FRAMELENGTH specifies searching for SENT frame length errors.  
CRC specifies searching for CRC errors.

**Examples** SEARCH:SEARCH1:TRIGger:A:BUS:SENT:ERRType FRAMELENGTH sets the search to find SENT frame length errors.  
SEARCH:SEARCH1:TRIGger:A:BUS:SENT:ERRType? might return  
SEARCH:SEARCH1:TRIGger:A:BUS:SENT:ERRType CRC to indicate the search is set to find CRC errors.

## SEARCH:SEARCH<x>:TRIGger:A:BUS:SENT:ERRType:CRc

This command sets or queries the CRC error type to be used when searching on SENT data.

**Conditions** Requires option SRAUTOSEN.  
SENT bus trigger condition is set to ERRor and ERRType is set to CRc.

**Group** Search and Mark

|                         |                                                                                                                                                                                                                                                                                                                                                 |
|-------------------------|-------------------------------------------------------------------------------------------------------------------------------------------------------------------------------------------------------------------------------------------------------------------------------------------------------------------------------------------------|
| <b>Syntax</b>           | <code>SEARCH:SEARCH&lt;x&gt;:TRIGger:A:BUS:SENT:ERRType:CRC {FAST SLOW}</code><br><code>SEARCH:SEARCH&lt;x&gt;:TRIGger:A:BUS:SENT:ERRType:CRC?</code>                                                                                                                                                                                           |
| <b>Related Commands</b> | <a href="#">SEARCH:SEARCH&lt;x&gt;:TRIGger:A:BUS:SENT:CONDition</a><br><a href="#">SEARCH:SEARCH&lt;x&gt;:TRIGger:A:BUS:SENT:ERRType</a>                                                                                                                                                                                                        |
| <b>Arguments</b>        | <code>SEARCH&lt;x&gt;</code> is the number of the search.<br><br>FAST specifies searching for CRC errors only in the fast channel.<br><br>SLOW specifies searching for CRC errors only in the slow channel.                                                                                                                                     |
| <b>Examples</b>         | <code>SEARCH:SEARCH1:TRIGGER:A:BUS:SENT:ERRTYPE:CRC SLOW</code> sets the search to find SENT slow channel CRC errors.<br><br><code>SEARCH:SEARCH1:TRIGGER:A:BUS:SENT:ERRTYPE:CRC?</code> might return <code>SEARCH:SEARCH1:TRIGGER:A:BUS:SENT:ERRTYPE:CRC FAST</code> , indicating that the SENT fast channel is being searched for CRC errors. |

## SEARCH:SEARCH<x>:TRIGger:A:BUS:SENT:FAST:CHAN1A:HIVALue

This command sets or queries the high binary fast channel 1 value to use when searching on a SENT bus signal.

|                         |                                                                                                                                                                           |
|-------------------------|---------------------------------------------------------------------------------------------------------------------------------------------------------------------------|
| <b>Conditions</b>       | Requires option SRAUTOSEN.<br><br>The SENT bus search condition must be set to FAST.                                                                                      |
| <b>Group</b>            | Trigger                                                                                                                                                                   |
| <b>Syntax</b>           | <code>SEARCH:SEARCH&lt;x&gt;:TRIGger:A:BUS:SENT:FAST:CHAN1A:HIVALue &lt;Qstring&gt;</code><br><code>SEARCH:SEARCH&lt;x&gt;:TRIGger:A:BUS:SENT:FAST:CHAN1A:HIVALue?</code> |
| <b>Related Commands</b> | <a href="#">SEARCH:SEARCH&lt;x&gt;:TRIGger:A:BUS:SENT:CONDition</a>                                                                                                       |
| <b>Arguments</b>        | <code>SEARCH&lt;x&gt;</code> is the Search identifier number.<br><br><Qstring> sets the Fast Channel 1 binary data high value.                                            |



**Examples**     `SEARCH:SEARCH1:TRIGGER:A:BUS:SENT:FAST:CHAN1A:HIVALue`  
`"XXXXXXXXXXXXX"` sets the Fast Channel 1 high value on which to search to  
`XXXXXXXXXXXXX`, or "don't care."  
  
`SEARCH:SEARCH1:TRIGGER:A:BUS:SENT:FAST:CHAN1A:HIVALue?` might  
return `SEARCH:SEARCH1:TRIGGER:A:BUS:SENT:FAST:CHAN1A:HIVALUE`  
`"0101XXXX1111"`, indicating the Fast Channel 1 high value on which to search is  
set to the binary value `0101XXXX1111`.

## **SEARCH:SEARCH<x>:TRIGger:A:BUS:SENT:FAST:CHAN1A:QUALifier**

This command sets or queries the qualifier to be used when searching on SENT fast packet bus data for device channel 1.

**Conditions**     Requires option `SRAUTOSEN`  
  
The SENT bus trigger condition must be set to `FAST`.

**Group**     Search and Mark

**Syntax**     `SEARCH:SEARCH<x>:TRIGger:A:BUS:SENT:FAST:CHAN1A:`  
`QUALifier {Equal|UNEQual|LESSthan|MOREthan|`  
`LESSEQual|MOREEQual|INrange|OUTrange}`  
`SEARCH:SEARCH<x>:TRIGger:A:BUS:SENT:FAST:CHAN1A:QUALifier?`

**Related Commands**     [SEARCH:SEARCH<x>:TRIGger:A:BUS:SENT:CONDition](#)  
  
[SEARCH:SEARCH<x>:TRIGger:A:BUS:SENT:FAST:CHAN1A:VALue](#)

**Arguments**     `SEARCH<x>` is the number of the search.  
  
`Equal` specifies the qualifier as Equal.  
  
`LESSEQual` specifies the qualifier as Less Than or Equal to.  
  
`LESSthan` specifies the qualifier as Less Than.  
  
`MOREEQual` specifies the qualifier as More Than or Equal to.  
  
`MOREthan` specifies the qualifier as More Than.  
  
`UNEQual` specifies the qualifier as Unequal.  
  
`INrange` sets the qualifier to inside a range.  
  
`OUTrange` sets the qualifier to outside a range.

**Examples**      `SEARCH:SEARCH1:TRIGGER:A:BUS:SENT:FAST:CHAN1A:QUALIFIER`  
UNEQUAL sets the fast channel 1 data qualifier to not equal for search 1.

`SEARCH:SEARCH3:TRIGGER:A:BUS:SENT:FAST:CHAN1A:QUALIFIER?`  
might return  
`SEARCH:SEARCH1:TRIGGER:A:BUS:SENT:FAST:CHAN1A:QUALIFIER`  
MOREQUAL to indicate that the fast channel 1 data qualifier is set  
to greater than or equal for search 3.

## **SEARCH:SEARCH<x>:TRIGger:A:BUS:SENT:FAST:CHAN1A:VALue**

This command sets or queries the binary fast channel 1 value to be used when searching on a SENT bus signal.

**Conditions**      Requires option SRAUTOSEN.  
The trigger condition must be set to FAST.

**Group**            Search and Mark

**Syntax**            `SEARCH:SEARCH<x>:TRIGger:A:BUS:SENT:FAST:CHAN1A:VALue`  
`<QString>`  
`SEARCH:SEARCH<x>:TRIGger:A:BUS:SENT:FAST:CHAN1A:VALue?`

**Related Commands**      [SEARCH:SEARCH<x>:TRIGger:A:BUS:SENT:CONDition](#)

**Arguments**        `SEARCH<x>` is the number of the search.  
`<QString>` is the Fast Channel 1 binary value.

**Examples**            `SEARCH:SEARCH1:TRIGGER:A:BUS:SENT:FAST:CHAN1A:VALUE`  
"XXXXXXXXXXXX" sets the Fast Channel 1 value to XXXXXXXXXXXXXXX, or  
"don't care."

`SEARCH:SEARCH1:TRIGGER:A:BUS:SENT:FAST:CHAN1A:VALUE?` might  
return `SEARCH:SEARCH1:TRIGGER:A:BUS:SENT:FAST:CHAN1A:VALUE`  
"0000XXXX1111" to indicate the binary value 0000XXXX1111.

## **SEARCH:SEARCH<x>:TRIGger:A:BUS:SENT:FAST:CHAN2B:HIVALue**

This command sets or queries the high binary fast channel 2 value to use when searching on a SENT bus signal.

|                         |                                                                                                                                                                                                                                                                                                                                                                                                                  |
|-------------------------|------------------------------------------------------------------------------------------------------------------------------------------------------------------------------------------------------------------------------------------------------------------------------------------------------------------------------------------------------------------------------------------------------------------|
| <b>Conditions</b>       | Requires option SRAUTOSEN.<br>The SENT bus search condition must be set to FAST.                                                                                                                                                                                                                                                                                                                                 |
| <b>Group</b>            | Trigger                                                                                                                                                                                                                                                                                                                                                                                                          |
| <b>Syntax</b>           | SEARCH:SEARCH<x>:TRIGger:A:BUS:SENT:FAST:CHAN2B:HIVALue<br><QString><br>SEARCH:SEARCH<x>:TRIGger:A:BUS:SENT:FAST:CHAN2B:HIVALue?                                                                                                                                                                                                                                                                                 |
| <b>Related Commands</b> | <a href="#">SEARCH:SEARCH&lt;x&gt;:TRIGger:A:BUS:SENT:CONDition</a>                                                                                                                                                                                                                                                                                                                                              |
| <b>Arguments</b>        | SEARCH<x> is the Search identifier number.<br><QString> sets the Fast Channel 2 high binary data value.                                                                                                                                                                                                                                                                                                          |
| <b>Examples</b>         | SEARCH:SEARCH1:TRIGGER:A:BUS:SENT:FAST:CHAN2B:HIVALue<br>"100000000000" sets the Fast Channel 2 high value on which to search to<br>100000000000.<br><br>SEARCH:SEARCH1:TRIGGER:A:BUS:SENT:FAST:CHAN2B:HIVALue? might<br>return SEARCH:SEARCH1:TRIGGER:A:BUS:SENT:FAST:CHAN2B:HIVALUE<br>"0101XXXX1111", indicating the Fast Channel 2 high value on which to search is<br>set to the binary value 0101XXXX1111. |

## SEARCH:SEARCH<x>:TRIGger:A:BUS:SENT:FAST:CHAN2B:QUALifier

This command sets or queries the qualifier to be used when searching on SENT fast packet bus data for device channel 2.

|                         |                                                                                                                                                                                                         |
|-------------------------|---------------------------------------------------------------------------------------------------------------------------------------------------------------------------------------------------------|
| <b>Conditions</b>       | Requires option SRAUTOSEN<br>The SENT bus trigger condition must be set to FAST.                                                                                                                        |
| <b>Group</b>            | Search and Mark                                                                                                                                                                                         |
| <b>Syntax</b>           | SEARCH:SEARCH<x>:TRIGger:A:BUS:SENT:FAST:CHAN2B:<br>QUALifier {Equal UNEQual LESSthan MOREthan <br>LESSEQual MORREEQual INrange OUTrange}<br>SEARCH:SEARCH<x>:TRIGger:A:BUS:SENT:FAST:CHAN2B:QUALifier? |
| <b>Related Commands</b> | <a href="#">SEARCH:SEARCH&lt;x&gt;:TRIGger:A:BUS:SENT:CONDition</a>                                                                                                                                     |

[SEARCH:SEARCH<x>:TRIGger:A:BUS:SENT:FAST:CHAN2B:VALue](#)

**Arguments** SEARCH<x> is the number of the search.  
EQual specifies the qualifier as Equal.  
LESSEQual specifies the qualifier as Less Than or Equal to.  
LESSthan specifies the qualifier as Less Than.  
MOREEQual specifies the qualifier as More Than or Equal to.  
MOREthan specifies the qualifier as More Than.  
UNEQual specifies the qualifier as Unequal.  
INrange sets the qualifier to inside a range.  
OUTrange sets the qualifier to outside a range.

**Examples** SEARCH:SEARCH5:TRIGGER:A:BUS:SENT:FAST:CHAN2B:QUALIFIER  
UNEQUAL sets the fast channel 2 data qualifier to not equal for search 5.  
  
SEARCH:SEARCH1:TRIGGER:A:BUS:SENT:FAST:CHAN2B:QUALIFIER?  
might return  
SEARCH:SEARCH1:TRIGGER:A:BUS:SENT:FAST:CHAN2B:QUALIFIER  
MOREEQUAL to indicate that the fast channel 2 data qualifier is set  
to greater than or equal for search 1.

## **SEARCH:SEARCH<x>:TRIGger:A:BUS:SENT:FAST:CHAN2B:VALue**

This command sets or queries the binary fast channel 2 value to be used when searching on a SENT bus signal.

**Conditions** Requires option SRAUTOSEN.  
The trigger condition must be set to FAST.

**Group** Search and Mark

**Syntax** SEARCH:SEARCH<x>:TRIGger:A:BUS:SENT:FAST:CHAN2B:VALue  
<QString>  
SEARCH:SEARCH<x>:TRIGger:A:BUS:SENT:FAST:CHAN2B:VALue?

**Related Commands** [SEARCH:SEARCH<x>:TRIGger:A:BUS:SENT:CONDition](#)

**Arguments** SEARCH<x> is the number of the search.  
 <QString> is the Fast Channel 2 binary value.

**Examples** SEARCH:SEARCH1:TRIGGER:A:BUS:SENT:FAST:CHAN2B:VALUE  
 "111111111111" sets the Fast Channel 2 value to 111111111111.  
 SEARCH:SEARCH1:TRIGGER:A:BUS:SENT:FAST:CHAN2B:VALUE? might  
 return SEARCH:SEARCH1:TRIGGER:A:BUS:SENT:FAST:CHAN2B:VALUE  
 "000000000000" to indicate the binary value 000000000000.

## SEARCH:SEARCH<x>:TRIGger:A:BUS:SENT:FAST:COUNTER:HIVALue

This command sets or queries the high binary fast message counter value to use when searching on a SENT bus signal.

**Conditions** Requires option SRAUTOSEN.  
 The SENT bus search condition must be set to FAST.  
 The number of channels must be set to 1.  
 The nibble count must be set to 6.

**Group** Trigger

**Syntax** SEARCH:SEARCH<x>:TRIGger:A:BUS:SENT:FAST:COUNTER:HIVALue  
 <QString>  
 SEARCH:SEARCH<x>:TRIGger:A:BUS:SENT:FAST:COUNTER:HIVALue?

**Related Commands** [SEARCH:SEARCH<x>:TRIGger:A:BUS:SENT:CONDition](#)  
[BUS:B<x>:SENT:NUMCHANnel](#)  
[BUS:B<x>:SENT:NIBBLECount](#)

**Arguments** SEARCH<x> is the Search identifier number.  
 <QString> sets the Fast Channel 1 counter binary value.

**Examples** SEARCH:SEARCH1:TRIGGER:A:BUS:SENT:FAST:COUNTER:HIVALUE  
 "XXXXXXXX" sets the Fast Channel secure counter high value on which to search to "don't care."

SEARCH:SEARCH4:TRIGGER:A:BUS:SENT:FAST:COUNTER:HIVALUE? might return SEARCH:SEARCH4:TRIGGER:A:BUS:SENT:FAST:COUNTER:HIVALUE "11110000" to indicate a binary value of 11110000 on which to search.

## SEARCH:SEARCH<x>:TRIGger:A:BUS:SENT:FAST:COUNTER:QUALifier

This command sets or queries the qualifier to be used when searching on SENT fast packet bus data for the secure format counter.

**Conditions** Requires option SRAUTOSEN

The SENT bus trigger condition must be set to FAST.

**Group** Search and Mark

**Syntax** SEARCH:SEARCH<x>:TRIGger:A:BUS:SENT:FAST:COUNTER:  
QUALifier {Equal|UNEQUAL|LESSThan|MOREthan|  
LESSEQUAL|MOREEQUAL|INrange|OUTrange}  
SEARCH:SEARCH<x>:TRIGger:A:BUS:SENT:FAST:COUNTER:QUALifier?

**Related Commands** [SEARCH:SEARCH<x>:TRIGger:A:BUS:SENT:CONDition](#)

[SEARCH:SEARCH<x>:TRIGger:A:BUS:SENT:FAST:COUNTER:VALue](#)

**Arguments** SEARCH<x> is the number of the search.

EQUAL specifies the qualifier as Equal.

LESSEQUAL specifies the qualifier as Less Than or Equal to.

LESSThan specifies the qualifier as Less Than.

MOREEQUAL specifies the qualifier as More Than or Equal to.

MOREthan specifies the qualifier as More Than.

UNEQUAL specifies the qualifier as Unequal.

INrange sets the qualifier to inside a range.

OUTrange sets the qualifier to outside a range.

**Examples** SEARCH:SEARCH5:TRIGGER:A:BUS:SENT:FAST:COUNTER:QUALifier  
LESSThan sets the fast channel 2 data qualifier on search 5 to less than.

SEARCH:SEARCH1:TRIGGER:A:BUS:SENT:FAST:COUNTER:QUALifier?  
might return

SEARCH:SEARCH1:TRIGGER:A:BUS:SENT:FAST:COUNTER:QUALIFIER  
EQUAL to indicate that the fast channel 2 data qualifier on search 1 is set to equal.

## SEARCH:SEARCH<x>:TRIGger:A:BUS:SENT:FAST:COUNTER:VALue

This command sets or queries the binary fast message counter value to be used when searching on a SENT bus signal.

**Conditions** Requires option SRAUTOSEN.

The search condition must be set to FAST.

The number of channels must be set to 1.

The nibble count must be set to 6.

**Group** Search and Mark

**Syntax** SEARCH:SEARCH<x>:TRIGger:A:BUS:SENT:FAST:COUNTER:VALue  
<QString>  
SEARCH:SEARCH<x>:TRIGger:A:BUS:SENT:FAST:COUNTER:VALue?

**Related Commands** [SEARCH:SEARCH<x>:TRIGger:A:BUS:SENT:CONDition](#)  
[BUS:B<x>:SENT:NIBBLECount](#)  
[BUS:B<x>:SENT:NUMCHANnel](#)

**Arguments** SEARCH<x> is the number of the search.  
<QString> is the Fast Channel 1 counter value.

**Examples** SEARCH:SEARCH1:TRIGGER:A:BUS:SENT:FAST:COUNTER:VALUE  
"XXXXXXXX" sets the Fast Channel 1 secure counter value to "don't care."  
  
SEARCH:SEARCH1:TRIGGER:A:BUS:SENT:FAST:COUNTER:VALUE? might  
return SEARCH:SEARCH1:TRIGGER:A:BUS:SENT:FAST:COUNTER:VALUE  
"00001111" to search for a binary counter value of 00001111.

## SEARCH:SEARCH<x>:TRIGger:A:BUS:SENT:FAST:INVERTNIBble:VALue

This command sets or queries the binary fast message inverted nibble value to be used when searching on a SENT bus signal.

|                         |                                                                                                                                                                                                                                                                                                       |
|-------------------------|-------------------------------------------------------------------------------------------------------------------------------------------------------------------------------------------------------------------------------------------------------------------------------------------------------|
| <b>Conditions</b>       | Requires option SRAUTOSEN.<br>The search condition must be set to FAST.<br>The number of channels must be set to 1.<br>The nibble count must be set to 6.                                                                                                                                             |
| <b>Group</b>            | Search and Mark                                                                                                                                                                                                                                                                                       |
| <b>Syntax</b>           | SEARCH:SEARCH<x>:TRIGger:A:BUS:SENT:FAST:INVERTNIBb1e:VALue<br><QString><br>SEARCH:SEARCH<x>:TRIGger:A:BUS:SENT:FAST:INVERTNIBb1e:VALue?                                                                                                                                                              |
| <b>Related Commands</b> | <a href="#">SEARCH:SEARCH&lt;x&gt;:TRIGger:A:BUS:SENT:CONDition</a><br><a href="#">BUS:B&lt;x&gt;:SENT:NIBBLECount</a><br><a href="#">BUS:B&lt;x&gt;:SENT:NUMCHANnel</a>                                                                                                                              |
| <b>Arguments</b>        | SEARCH<x> is the number of the search.<br><QString> is the fast message inverted nibble binary value.                                                                                                                                                                                                 |
| <b>Examples</b>         | TRIGGER:A:BUS:B1:SENT:FAST:INVERTNIBBLE:VALUE "XXXX" sets the Fast Channel 1 secure inverted nibble value to "don't care."<br>TRIGGER:A:BUS:B1:SENT:FAST:INVERTNIBBLE:VALUE? might return :TRIGGER:A:BUS:B1:SENT:FAST:INVERTNIBBLE:VALUE "1111" to search for a binary inverted nibble value of 1111. |

## SEARCH:SEARCH<x>:TRIGger:A:BUS:SENT:FAST:STATus:VALue

This command sets or queries the binary status value to be used when searching on a SENT bus signal.

|                   |                                                                          |
|-------------------|--------------------------------------------------------------------------|
| <b>Conditions</b> | Requires option SRAUTOSEN.<br>The trigger condition must be set to FAST. |
| <b>Group</b>      | Search and Mark                                                          |
| <b>Syntax</b>     | SEARCH:SEARCH<x>:TRIGger:A:BUS:SENT:FAST:STATus:VALue<br><QString>       |



SEARCH:SEARCH<x>:TRIGger:A:BUS:SENT:FAST:STATUs:VALue?

**Related Commands** [SEARCH:SEARCH<x>:TRIGger:A:BUS:SENT:CONDition](#)

**Arguments** SEARCH<x> is the number of the search.  
<QString> is the binary status binary value.

**Examples** SEARCH:SEARCH1:TRIGGER:A:BUS:SENT:FAST:STATUs:VALue "XXXX" sets the binary status value to XXXX.  
SEARCH:SEARCH1:TRIGGER:A:BUS:SENT:FAST:STATUs:VALue? might return SEARCH:SEARCH1:TRIGGER:A:BUS:SENT:FAST:STATUs:VALue "1010" to indicate searching on a binary status value of 1010.

## SEARCH:SEARCH<x>:TRIGger:A:BUS:SENT:PAUSE:QUALifier

This command sets or queries the qualifier to be used when searching on SENT pause pulses.

**Conditions** Requires option SRAUTOSEN  
The SENT bus trigger condition must be set to PAUSE.

**Group** Search and Mark

**Syntax** SEARCH:SEARCH<x>:TRIGger:A:BUS:SENT:PAUSE:QUALifier {Equal|UNEQual|LESSthan|MORethan|LESSEQual|MOREEQual|INrange|OUTrange}  
SEARCH:SEARCH<x>:TRIGger:A:BUS:SENT:PAUSE:QUALifier?

**Related Commands** [SEARCH:SEARCH<x>:TRIGger:A:BUS:SENT:CONDition](#)  
[SEARCH:SEARCH<x>:TRIGger:A:BUS:SENT:PAUSE:TICKs:VALue](#)  
[SEARCH:SEARCH<x>:TRIGger:A:BUS:SENT:PAUSE:TICKs:HIVALue](#)

**Arguments** SEARCH<x> is the number of the search.  
Equal specifies the qualifier as Equal.  
INrange sets the qualifier to be within a range.  
LESSEQual sets the qualifier as Less Than or Equal to.

LESSthan sets the qualifier as Less Than.

MOREEqual sets the qualifier as More Than or Equal to.

MOREthan sets the qualifier as More Than.

OUTrange sets the qualifier to be outside a range.

UNEQual specifies the qualifier as Unequal.

**Examples** SEARCH:SEARCH1:TRIGGER:A:BUS:SENT:PAUSE:QUALIFIER LESSTHAN sets the pause pulse qualifier to less than.

SEARCH:SEARCH1:TRIGGER:A:BUS:SENT:PAUSE:QUALIFIER? might return SEARCH:SEARCH1:TRIGGER:A:BUS:SENT:PAUSE:QUALIFIER INRANGE to indicate that the pause pulse qualifier is set to search inside the range of ticks low and ticks high.

## SEARCH:SEARCH<x>:TRIGger:A:BUS:SENT:PAUSE:TICKs:HIVALue

This command sets or queries the maximum number of pause clock ticks to be used when searching on a SENT bus signal.

**Conditions** Requires option SRAUTOSEN.  
The trigger condition must be set to PAUSE.

**Group** Search and Mark

**Syntax** SEARCH:SEARCH<x>:TRIGger:A:BUS:SENT:PAUSE:TICKs:HIVALue  
SEARCH:SEARCH<x>:TRIGger:A:BUS:SENT:PAUSE:TICKs:HIVALue ?

**Related Commands** [SEARCH:SEARCH<x>:TRIGger:A:BUS:SENT:CONDition](#)

**Arguments** SEARCH<x> is the number of the search.  
<NR1> is the maximum number of pause clock ticks to be used when searching.

**Examples** SEARCH:SEARCH1:TRIGGER:A:BUS:SENT:PAUSE:TICKs:HIVALUE 15 sets the maximum pause tick count for which to search to 15.

SEARCH:SEARCH1:TRIGGER:A:BUS:SENT:PAUSE:TICKs:HIVALUE? might return SEARCH:SEARCH1:TRIGGER:A:BUS:SENT:PAUSE:TICKs:HIVALUE 20 to indicate the maximum number of pause ticks to search for is 20.

**SEARCH:SEARCH<x>:TRIGger:A:BUS:SENT:PAUSE:TICKs:VALue**

This command sets or queries the minimum number of pause clock ticks to be used when searching on a SENT bus signal.

**Conditions** Requires option SRAUTOSEN.

The trigger condition must be set to PAUSE.

**Group** Search and Mark

**Syntax** SEARCH:SEARCH<x>:TRIGger:A:BUS:SENT:PAUSE:TICKs:VALue <NR1>  
SEARCH:SEARCH<x>:TRIGger:A:BUS:SENT:PAUSE:TICKs:VALue?

**Related Commands** [SEARCH:SEARCH<x>:TRIGger:A:BUS:SENT:CONDition](#)

**Arguments** SEARCH<x> is the number of the search.

<NR1> is the minimum number of pause clock ticks to be used when searching.

**Examples** SEARCH:SEARCH1:TRIGGER:A:BUS:SENT:PAUSE:TICKs:VALue 12 sets the minimum pause tick count on which to search to 12.

SEARCH:SEARCH1:TRIGGER:A:BUS:SENT:PAUSE:TICKs:VALue? might return SEARCH:SEARCH1:TRIGGER:A:BUS:SENT:PAUSE:TICKs:VALue 15 to indicate the minimum number of pause ticks to search for is 15.

**SEARCH:SEARCH<x>:TRIGger:A:BUS:SENT:SLOW:DATA:HIVALue**

This command sets or queries the high binary Slow channel data value to use when searching on a SENT bus signal.

**Conditions** Requires option SRAUTOSEN.

The SENT bus search condition must be set to SLOW.

**Group** Trigger

**Syntax** SEARCH:SEARCH<x>:TRIGger:A:BUS:SENT:SLOW:DATA:HIVALue  
<QString>  
SEARCH:SEARCH<x>:TRIGger:A:BUS:SENT:SLOW:DATA:HIVALue?

|                         |                                                                                                                                                                                                                                                                                                                                                                   |
|-------------------------|-------------------------------------------------------------------------------------------------------------------------------------------------------------------------------------------------------------------------------------------------------------------------------------------------------------------------------------------------------------------|
| <b>Related Commands</b> | <a href="#">SEARCH:SEARCH&lt;x&gt;:TRIGger:A:BUS:SENT:CONDition</a>                                                                                                                                                                                                                                                                                               |
| <b>Arguments</b>        | SEARCH<x> is the Search identifier number.<br><QString> sets the binary Slow channel data value.                                                                                                                                                                                                                                                                  |
| <b>Examples</b>         | SEARCH:SEARCH2:TRIGGER:A:BUS:SENT:SLOW:DATA:HIVALUE<br>"XXXXXXXX" sets the Slow data high value on which to search to "don't care"<br>for Search 2.<br><br>SEARCH:SEARCH1:TRIGGER:A:BUS:SENT:SLOW:DATA:HIVALUE? might<br>return SEARCH:SEARCH1:TRIGGER:A:BUS:SENT:SLOW:DATA:HIVALUE<br>"11110001", to indicate searching on slow data values that match 11110001. |

## SEARCH:SEARCH<x>:TRIGger:A:BUS:SENT:SLOW:DATA:QUALifier

This command sets or queries the qualifier to be used when searching on SENT slow packet bus data.

|                         |                                                                                                                                                                                                  |
|-------------------------|--------------------------------------------------------------------------------------------------------------------------------------------------------------------------------------------------|
| <b>Conditions</b>       | Requires option SRAUTOSEN.<br><br>The SENT bus trigger condition must be set to SLOW.                                                                                                            |
| <b>Group</b>            | Search and Mark                                                                                                                                                                                  |
| <b>Syntax</b>           | SEARCH:SEARCH<x>:TRIGger:A:BUS:SENT:SLOW:DATA:<br>QUALifier {Equal UNEQua LESSthan MORethan <br>LESSEQua MORREEQua INrange OUTrange}<br>SEARCH:SEARCH<x>:TRIGger:A:BUS:SENT:SLOW:DATA:QUALifier? |
| <b>Related Commands</b> | <a href="#">SEARCH:SEARCH&lt;x&gt;:TRIGger:A:BUS:SENT:CONDition</a><br><a href="#">SEARCH:SEARCH&lt;x&gt;:TRIGger:A:BUS:SENT:SLOW:DATA:VALue</a>                                                 |

|                  |                                                                                                                                                                                                                                                                                                                    |
|------------------|--------------------------------------------------------------------------------------------------------------------------------------------------------------------------------------------------------------------------------------------------------------------------------------------------------------------|
| <b>Arguments</b> | SEARCH<x> is the number of the search.<br><br>Equal specifies the qualifier as Equal.<br><br>LESSEQua sets the qualifier as Less Than or Equal to.<br><br>LESSthan sets the qualifier as Less Than.<br><br>MORREEQua sets the qualifier as More Than or Equal to.<br><br>MORethan sets the qualifier as More Than. |
|------------------|--------------------------------------------------------------------------------------------------------------------------------------------------------------------------------------------------------------------------------------------------------------------------------------------------------------------|

UNEQUAL specifies the qualifier as Unequal.

INrange sets the search qualifier to inside a range.

OUTrange sets the search qualifier to outside a range.

**Examples**

SEARCH:SEARCH1:TRIGGER:A:BUS:SENT:SLOW:DATA:QUALIFIER  
LESSEQUAL sets the slow channel data qualifier to less than or equal.

SEARCH:SEARCH1:TRIGGER:A:BUS:SENT:SLOW:DATA:QUALIFIER? might  
return SEARCH:SEARCH1:TRIGGER:A:BUS:SENT:SLOW:DATA:QUALIFIER  
EQUAL to indicate that the slow channel data qualifier is set to equal.

## SEARCH:SEARCH<x>:TRIGger:A:BUS:SENT:SLOW:DATA:VALue

This command sets or queries the binary slow channel data value to be used when searching on a SENT bus signal.

**Conditions**

Requires option SRAUTOSEN.

The trigger condition must be set to SLOW.

**Group**

Search and Mark

**Syntax**

SEARCH:SEARCH<x>:TRIGger:A:BUS:SENT:SLOW:DATA:VALue  
<QString>  
SEARCH:SEARCH<x>:TRIGger:A:BUS:SENT:SLOW:DATA:VALue?

**Related Commands**

[SEARCH:SEARCH<x>:TRIGger:A:BUS:SENT:CONDition](#)

**Arguments**

SEARCH<x> is the number of the search.

<QString> is the slow channel data binary value.

**Examples**

SEARCH:SEARCH1:TRIGGER:A:BUS:SENT:SLOW:DATA:VALUE "XXXXXXXX"  
sets the slow data search value to "don't care."

SEARCH:SEARCH1:TRIGGER:A:BUS:SENT:SLOW:DATA:VALUE? might return  
"XXXX1111", indicating the search is marking slow data values that match  
XXXX1111.

## SEARCH:SEARCH<x>:TRIGger:A:BUS:SENT:SLOW:IDentifier:VALue

This command sets or queries the binary slow identifier value to be used when searching on a SENT bus signal.

**Conditions** Requires option SRAUTOSEN.

The trigger condition must be set to SLOW.

**Group** Search and Mark

**Syntax** SEARCH:SEARCH<x>:TRIGger:A:BUS:SENT:SLOW:IDentifier:VALue  
<Qstring>  
SEARCH:SEARCH<x>:TRIGger:A:BUS:SENT:SLOW:IDentifier:VALue?

**Related Commands** [SEARCH:SEARCH<x>:TRIGger:A:BUS:SENT:CONDition](#)

**Arguments** SEARCH<x> is the number of the search.  
<Qstring> is the slow channel identifier binary value.

**Examples** SEARCH:SEARCH1:TRIGGER:A:BUS:SENT:SLOW:IDENTIFIER:VALUE  
"XXXX" sets the search identifier value to "don't care."  
  
SEARCH:SEARCH1:TRIGGER:A:BUS:SENT:SLOW:IDENTIFIER:VALUE?  
might return  
SEARCH:SEARCH1:TRIGGER:A:BUS:SENT:SLOW:IDENTIFIER:VALUE  
"0001" indicating to search for the slow channel identifier value of 0001.

## SEARCH:SEARCH<x>:TRIGger:A:BUS:SMBUS:ADDRess:VALue

This command specifies the binary physical address string used for SMBUS triggering if the trigger condition is address.

**Conditions** Requires option SR-SMBUS

**Group** Search and Mark

**Syntax** SEARCH:SEARCH<x>:TRIGger:A:BUS:SMBUS:ADDRess:VALue <Qstring>  
SEARCH:SEARCH<x>:TRIGger:A:BUS:SMBUS:ADDRess:VALue?

**Arguments** SEARCH<x> is the search identifier number.  
 <QString> specifies the address value as the field within a SMBUS frame to search on. The default value is XXXXXXXX.

**Examples** SEARCH:SEARCH1:TRIGGER:A:BUS:SMBUS:ADDRESS:VALUE "1111111" specifies the address value as the field within a SMBUS frame to search on.  
 SEARCH:SEARCH1:TRIGGER:A:BUS:SMBUS:ADDRESS:VALUE? might return SEARCH:SEARCH1:TRIGGER:A:BUS:SMBUS:ADDRESS:VALUE "1111111", indicating the address value as "1111111" current specified within a SMBUS frame to search on.

## SEARCH:SEARCH<x>:TRIGger:A:BUS:SMBUS:COMManD:VALue

This command specifies the binary command code string used for SMBUS triggering if the trigger condition is command code.

**Conditions** Requires option SR-SMBUS

**Group** Search and Mark

**Syntax** SEARCH:SEARCH<x>:TRIGger:A:BUS:SMBUS:COMManD:VALue <QString>  
 SEARCH:SEARCH<x>:TRIGger:A:BUS:SMBUS:COMManD:VALue?

**Arguments** SEARCH<x> is the search identifier number.  
 <QString> specifies the command value as the field within a SMBUS frame to search on. The default value is XXXXXXXX.

**Examples** SEARCH:SEARCH1:TRIGGER:A:BUS:SMBUS:COMManD:VALue "11011111" specifies the address value as the field within a SMBUS frame to search on.  
 SEARCH:SEARCH1:TRIGGER:A:BUS:SMBUS:COMManD:VALue? might return SEARCH:SEARCH1:TRIGGER:A:BUS:SMBUS:COMManD:VALue "11011111", indicating the command value as "11011111" current specified within a SMBUS frame to search on.

## SEARCH:SEARCH<x>:TRIGger:A:BUS:SMBUS:CONDition

This command sets or queries the trigger condition for a SMBUS bus.

|                   |                                                                                                                                                                                                                                                                                                                                                                                                                                                                                                                                                                                                                                                                                  |
|-------------------|----------------------------------------------------------------------------------------------------------------------------------------------------------------------------------------------------------------------------------------------------------------------------------------------------------------------------------------------------------------------------------------------------------------------------------------------------------------------------------------------------------------------------------------------------------------------------------------------------------------------------------------------------------------------------------|
| <b>Conditions</b> | Requires option SR-SMBUS                                                                                                                                                                                                                                                                                                                                                                                                                                                                                                                                                                                                                                                         |
| <b>Group</b>      | Search and Mark                                                                                                                                                                                                                                                                                                                                                                                                                                                                                                                                                                                                                                                                  |
| <b>Syntax</b>     | SEARCH:SEARCH<x>:TRIGGER:A:BUS:SMBUS:CONDition {START REPEATSTART  ADDRESS  HOSTADDR  DEVICEADDR  COMMAND  DATA  UDIDDATA  ERROR  STOP  IDLe}<br>SEARCH:SEARCH<x>:TRIGGER:A:BUS:SMBUS:CONDition?                                                                                                                                                                                                                                                                                                                                                                                                                                                                                 |
| <b>Arguments</b>  | <p>SEARCH&lt;x&gt; is the search number.</p> <p>START sets the search condition to start. This is the default value.</p> <p>REPEATSTART sets the search condition to repeat start.</p> <p>ADDRESS sets the search condition to address.</p> <p>HOSTADDR sets the search condition to host address.</p> <p>DEVICEADDR sets the search condition to device address.</p> <p>COMMAND sets the search condition to command.</p> <p>DATA sets the search condition to data.</p> <p>UDIDDATA sets the search condition to UDID data.</p> <p>ERROR sets the search condition to error.</p> <p>STOP sets the search condition to stop.</p> <p>IDLe sets the search condition to idle.</p> |
| <b>Examples</b>   | <p>SEARCH:SEARCH1:TRIGGER:A:BUS:SMBUS:CONDition START specifies start as the event within a SMBUS frame to search on.</p> <p>SEARCH:SEARCH1:TRIGGER:A:BUS:SMBUS:CONDition? might return :SEARCH:SEARCH1:TRIGGER:A:BUS:SMBUS:CONDition START, indicating that start is the currently specified event within a SMBUS frame to search on.</p>                                                                                                                                                                                                                                                                                                                                       |

## SEARCH:SEARCH<x>:TRIGGER:A:BUS:SMBUS:DATA:SIZE

This command specifies the length of the data string in bytes to be used for an SMBus trigger if the trigger condition is DATA.

|                   |                          |
|-------------------|--------------------------|
| <b>Conditions</b> | Requires option SR-SMBUS |
| <b>Group</b>      | Search and Mark          |



|                  |                                                                                                                                                                                                                                            |
|------------------|--------------------------------------------------------------------------------------------------------------------------------------------------------------------------------------------------------------------------------------------|
| <b>Syntax</b>    | SEARCH:SEARCH<x>:TRIGger:A:BUS:SMBUS:DATA:SIZE <NR1><br>SEARCH:SEARCH<x>:TRIGger:A:BUS:SMBUS:DATA:SIZE?                                                                                                                                    |
| <b>Arguments</b> | SEARCH<x> is the search number.<br><br>NR1 sets the data size value. The valid range is 1 to 8. The default data size is 1.                                                                                                                |
| <b>Examples</b>  | SEARCH:SEARCH1:TRIGGER:A:BUS:SMBUS:DATA:SIZE 4 sets the data size value as 4.<br><br>SEARCH:SEARCH1:TRIGGER:A:BUS:SMBUS:DATA:SIZE? might return :SEARCH:SEARCH1:TRIGGER:A:BUS:SMBUS:DATA:SIZE 4, indicating that the data size value is 4. |

## SEARCH:SEARCH<x>:TRIGger:A:BUS:SMBUS:DATA:VALue

This command specifies the binary data string used for SMBus triggering if the trigger condition is DATA.

|                   |                                                                                                                                                                                                                                                                         |
|-------------------|-------------------------------------------------------------------------------------------------------------------------------------------------------------------------------------------------------------------------------------------------------------------------|
| <b>Conditions</b> | Requires option SR-SMBUS                                                                                                                                                                                                                                                |
| <b>Group</b>      | Search and Mark                                                                                                                                                                                                                                                         |
| <b>Syntax</b>     | SEARCH:SEARCH<x>:TRIGger:A:BUS:SMBUS:DATA:VALue <QString><br>SEARCH:SEARCH<x>:TRIGger:A:BUS:SMBUS:DATA:VALue?                                                                                                                                                           |
| <b>Arguments</b>  | SEARCH<x> is the search identifier number.<br><br><QString> specifies the data value as the field within a SMBUS frame to search on. The default value is XXXXXXXX.                                                                                                     |
| <b>Examples</b>   | SEARCH:SEARCH1:TRIGGER:A:BUS:SMBUS:DATA:VALue "11001100" sets the data value as "11001100".<br><br>SEARCH:SEARCH1:TRIGGER:A:BUS:SMBUS:DATA:VALue? might return :SEARCH:SEARCH1:TRIGGER:A:BUS:SMBUS:DATA:VALue "11001100", indicating that the data value is "11001100". |

## SEARCH:SEARCH<x>:TRIGger:A:BUS:SMBUS:DEVICEADDR:VALue

This command specifies the binary physical address string is used for SMBUS triggering if the trigger condition is device address.

|                   |                                                                                                                                                                                                                                                                                                                                                       |
|-------------------|-------------------------------------------------------------------------------------------------------------------------------------------------------------------------------------------------------------------------------------------------------------------------------------------------------------------------------------------------------|
| <b>Conditions</b> | Requires option SR-SMBUS                                                                                                                                                                                                                                                                                                                              |
| <b>Group</b>      | Search and Mark                                                                                                                                                                                                                                                                                                                                       |
| <b>Syntax</b>     | SEARCH:SEARCH<x>:TRIGger:A:BUS:SMBUS:DEVICEADDR:VALue<br><QString><br>SEARCH:SEARCH<x>:TRIGger:A:BUS:SMBUS:DEVICEADDR:VALue?                                                                                                                                                                                                                          |
| <b>Arguments</b>  | SEARCH<x> is the search identifier number.<br><br><QString> specifies the device address value as the field within a SMBUS frame to search on. The default value is XXXXXXXX.                                                                                                                                                                         |
| <b>Examples</b>   | SEARCH:SEARCH1:TRIGGER:A:BUS:SMBUS:DEVICEADDR:VALue<br>"0011111" specifies the device Address value as the field within a SMBUS frame to search on.<br><br>SEARCH:SEARCH1:TRIGGER:A:BUS:SMBUS:DEVICEADDR:VALue? might<br>return :SEARCH:SEARCH1:TRIGGER:A:BUS:SMBUS:DEVICEADDR:VALue<br>"11001100", indicating the device address value is "0011111". |

## SEARCH:SEARCH<x>:TRIGger:A:BUS:SMBUS:ERROR:TYPE

This command sets or queries the error type for a SMBus.

|                   |                                                                                                                                                                                                                                                     |
|-------------------|-----------------------------------------------------------------------------------------------------------------------------------------------------------------------------------------------------------------------------------------------------|
| <b>Conditions</b> | Requires option SR-SMBUS                                                                                                                                                                                                                            |
| <b>Group</b>      | Search and Mark                                                                                                                                                                                                                                     |
| <b>Syntax</b>     | SEARCH:SEARCH<x>:TRIGger:A:BUS:SMBUS:ERROR:TYPE<br>{ANY ACK NACK PEC}<br>SEARCH:SEARCH<x>:TRIGger:A:BUS:SMBUS:ERROR:TYPE?                                                                                                                           |
| <b>Arguments</b>  | SEARCH<x> is the search number.<br><br>ANY sets the error search type to ANY. This is the default value<br><br>ACK sets the error search type to ACK.<br><br>NACK sets the error search type to NACK.<br><br>PEC sets the error search type to PEC. |

**Examples**     `SEARCH:SEARCH1:TRIGGER:A:BUS:SMBUS:ERROR:TYPE ACK` specifies ACK error as the field within a SMBus frame to search on.

`SEARCH:SEARCH1:TRIGGER:A:BUS:SMBUS:ERROR:TYPE?` might return `:SEARCH:SEARCH1:TRIGGER:A:BUS:SMBUS:ERROR:TYPE ACK`, indicating that ACK error is the currently specified field within a SMBus frame to search on.

## **SEARCH:SEARCH<x>:TRIGger:A:BUS:SMBUS:FIELDByTe**

This command sets or queries the field byte for a SMBUS bus if trigger condition is UDID data.

**Conditions**     Requires option SR-SMBUS

**Group**     Search and Mark

**Syntax**     `SEARCH:SEARCH<x>:TRIGger:A:BUS:SMBUS:FIELDByTe`  
                   `{ONE|TWO|FOUR}`  
                   `SEARCH:SEARCH<x>:TRIGger:A:BUS:SMBUS:FIELDByTe?`

**Arguments**     `SEARCH<x>` is the search number.

`ONE` sets the field byte size to 8 bits. This is the default value.

`TWO` sets the field byte size to 16 bits.

`FOUR` sets the field byte size to 32 bits.

**Examples**     `SEARCH:SEARCH1:TRIGGER:A:BUS:SMBUS:FIELDByTe TWO` sets the field byte size as 16.

`SEARCH:SEARCH1:TRIGGER:A:BUS:SMBUS:FIELDByTe?` might return `:SEARCH:SEARCH1:TRIGGER:A:BUS:SMBUS:FIELDByTe TWO`, indicating that the field byte size is 16.

## **SEARCH:SEARCH<x>:TRIGger:A:BUS:SMBUS:UDIDDATa:VALue**

This command specifies the binary data string used for SMBUS triggering if the trigger condition is UDID data.

**Conditions**     Requires option SR-SMBUS

**Group**     Search and Mark

**Syntax** SEARCH:SEARCH<x>:TRIGger:A:BUS:SMBUS:UDIDDATA:VALue  
<QString>  
SEARCH:SEARCH<x>:TRIGger:A:BUS:SMBUS:UDIDDATA:VALue?

**Arguments** SEARCH<x> is the search identifier number.  
  
<QString> specifies the UDID data value as the field within a SMBUS frame to search on. The default value is XXXXXXXX.

**Examples** SEARCH:SEARCH1:TRIGGER:A:BUS:SMBUS:UDIDDATA:VALue "11001101"  
sets the UDID data value as "11001100".  
  
SEARCH:SEARCH1:TRIGGER:A:BUS:SMBUS:UDIDDATA:VALue? might  
return :SEARCH:SEARCH1:TRIGGER:A:BUS:SMBUS:UDIDDATA:VALue  
"11001101", indicating that the UDID data value is "11001101".

## SEARCH:SEARCH<x>:TRIGger:A:BUS:SOURce

This command sets or queries the bus source for the bus search to determine where to place a mark. The search number is specified by x.

**Group** Search and Mark

**Syntax** SEARCH:SEARCH<x>:TRIGger:A:BUS:SOURce B<x>  
SEARCH:SEARCH<x>:TRIGger:A:BUS:SOURce?

**Arguments** B<x> specifies the bus source as a bus number from B0 to B16.

**Examples** SEARCH:SEARCH1:TRIGGER:A:BUS:SOURCE B1 sets the bus source for bus  
trigger search 1 to B1.  
  
SEARCH:SEARCH1:TRIGGER:A:BUS:SOURCE? might return  
SEARCH:SEARCH1:TRIGGER:A:BUS:SOURCE B15, indicating that the bus  
source for bus trigger search 1 is B15.

## SEARCH:SEARCH<x>:TRIGger:A:BUS:SPACEWIRe:CONDition

This command sets or queries the field or condition for which to search on a SpaceWire bus.

**Conditions** Requires option SR-SPACEWIRE

This command affects most of the SEARCH:SEARCH<x>:TRIGger:A:BUS:B<x>:SPACEWIRe commands.

|                  |                                                                                                                                                                                                                                                                                                                                                                      |
|------------------|----------------------------------------------------------------------------------------------------------------------------------------------------------------------------------------------------------------------------------------------------------------------------------------------------------------------------------------------------------------------|
| <b>Group</b>     | Search and Mark                                                                                                                                                                                                                                                                                                                                                      |
| <b>Syntax</b>    | SEARCH:SEARCH<x>:TRIGger:A:BUS:SPACEWIRe:CONDition<br>{SYNC DATA ERRORs CONTROLCODe CONTROLCHAR}<br>SEARCH:SEARCH<x>:TRIGger:A:BUS:SPACEWIRe:CONDition?                                                                                                                                                                                                              |
| <b>Arguments</b> | SEARCH<x> is the search number.<br><br>SYNC sets the search condition to Synchronization.<br><br>DATA sets the search condition to Data Characters.<br><br>ERRORs sets the search condition to SpaceWire Bus Decode Errors.<br><br>CONTROLCODe sets the search condition to control code.<br><br>CONTROLCHAR sets the search condition to control character.         |
| <b>Examples</b>  | SEARCH:SEARCH1:TRIGGER:A:BUS:SPACEWIRe:CONDition SYNC sets Synchronization as the field within an SpaceWire frame to search on.<br><br>SEARCH:SEARCH1:TRIGGER:A:BUS:SPACEWIRe:CONDITION? might return SEARCH:SEARCH1:TRIGGER:A:BUS:SPACEWIRe:CONDITION DATA, indicating that the data field is the currently specified field within an SpaceWire frame to search on. |

## SEARCH:SEARCH<x>:TRIGger:A:BUS:SPACEWIRe:CONTROLCHARTYPE

This command sets or queries the control character type to use when searching on a SpaceWire bus signal.

|                         |                                                                                                                                                |
|-------------------------|------------------------------------------------------------------------------------------------------------------------------------------------|
| <b>Conditions</b>       | Requires option SR-SPACEWIRE                                                                                                                   |
| <b>Group</b>            | Search and Mark                                                                                                                                |
| <b>Syntax</b>           | SEARCH:SEARCH<x>:TRIGger:A:BUS:SPACEWIRe:CONTROLCHARTYPE<br>{FCT ESC ENDOFPACKet}<br>SEARCH:SEARCH<x>:TRIGger:A:BUS:SPACEWIRe:CONTROLCHARTYPE? |
| <b>Related Commands</b> | <a href="#">SEARCH:SEARCH&lt;x&gt;:TRIGger:A:BUS:SPACEWIRe:CONDition</a>                                                                       |

**Arguments** SEARCH<x> is the search number.

FCT sets the control character type to Flow Control Token.

ESC sets the control character type to Escape.

ENDOFPACKet sets the control character type to End of Packet.

**Examples** SEARCH:SEARCH1:TRIGger:A:BUS:SPACEWIRE:CONTROLCHARTYPE FCT specifies Flow control token as the field on which to search within a SpaceWire frame.

SEARCH:SEARCH1:TRIGger:A:BUS:SPACEWIRE:CONTROLCHARTYPE? might return SEARCH:SEARCH1:TRIGger:A:BUS:SPACEWIRECONTROLCHARTYPE ESC.

## SEARCH:SEARCH<x>:TRIGger:A:BUS:SPACEWIRE:CONTROLCODETYPE

This command sets or queries the control code type to use when searching on a SpaceWire bus signal.

**Conditions** Requires option SR-SPACEWIRE

**Group** Search and Mark

**Syntax** SEARCH:SEARCH<x>:TRIGger:A:BUS:SPACEWIRE:CONTROLCODETYPE {NULL|TIMECODE}  
SEARCH:SEARCH<x>:TRIGger:A:BUS:SPACEWIRE:CONTROLCODETYPE?

**Related Commands** [SEARCH:SEARCH<x>:TRIGger:A:BUS:SPACEWIRE:CONDition](#)

**Arguments** SEARCH<x> is the search number.

NULL sets the control code type to Null code.

TIMECODE sets the control code type to Time code (only varying part of Time code [6 bits] is considered for search).

**Examples** SEARCH:SEARCH1:TRIGger:A:BUS:SPACEWIRE:CONTROLCODETYPE NULL specifies Null as the field on which to search within an SpaceWire frame.

SEARCH:SEARCH1:TRIGger:A:BUS:SPACEWIRE:CONTROLCODETYPE? might return SEARCH:SEARCH1:TRIGger:A:BUS:SPACEWIRECONTROLCODETYPE TIMECODE.

**SEARCH:SEARCH<x>:TRIGger:A:BUS:SPACEWIRE:DATA:SIZE**

This command sets or queries the length of the data string, in bytes, to use when searching on a SpaceWire bus signal. The search condition needs to be set to Data (see *Related Commands*).

**Conditions** Requires option SR-SPACEWIRE

**Group** Search and Mark

**Syntax** SEARCH:SEARCH<x>:TRIGger:A:BUS:SPACEWIRE:DATA:SIZE<NR1>  
SEARCH:SEARCH<x>:TRIGger:A:BUS:SPACEWIRE:DATA:SIZE?

**Related Commands** [SEARCH:SEARCH<x>:TRIGger:A:BUS:SPACEWIRE:CONDition](#)

**Arguments** SEARCH<x> is the search number.

NR1 is an integer value that specifies the number of contiguous data bytes to use when searching on the SpaceWire data field. The valid range is 1 to 10.

**Examples** SEARCH:SEARCH1:TRIGger:A:BUS:SPACEWIRE:DATA:SIZE 4 specifies 4 as the number of contiguous data bytes to use when searching on the SpaceWire data field.

SEARCH:SEARCH5:TRIGger:A:BUS:SPACEWIRE:DATA:SIZE? might return SEARCH:SEARCH5:TRIGger:A:BUS:SPACEWIRE:DATA:SIZE 10, indicating that Search 5 is set to use 10 contiguous data bytes searching on the SpaceWire data field.

**SEARCH:SEARCH<x>:TRIGger:A:BUS:SPACEWIRE:DATA:VALue**

This command sets or queries the binary data value to be used when searching on an SpaceWire bus signal. The search condition must be set to Data (see *Related Commands*).

**Conditions** Requires option SR-SPACEWIRE

**Group** Search and Mark

**Syntax** SEARCH:SEARCH<x>:TRIGger:A:BUS:SPACEWIRE:DATA:VALue<QString>  
SEARCH:SEARCH<x>:TRIGger:A:BUS:SPACEWIRE:DATA:VALue?

**Related Commands**    [SEARCH:SEARCH<x>:TRIGger:A:BUS:SPACEWIRE:CONDition](#)

**Arguments**    SEARCH<x> is the search number.  
  
                  <QString> specifies the binary data value to search for on a SpaceWire bus signal.

**Examples**    SEARCH:SEARCH1:TRIGger:A:BUS:SPACEWIRE:DATA:VALue "101011"  
                  sets the data VALue to 101011.  
  
                  SEARCH:SEARCH5:TRIGger:A:BUS:SPACEWIRE:DATA:VALue? might return  
                  SEARCH:SEARCH5:TRIGger:A:BUS:SPACEWIRE:DATA:VALue "10101",  
                  indicating that Search 5 is set to look for binary data value 10101.

## SEARCH:SEARCH<x>:TRIGger:A:BUS:SPACEWIRE:ERRORTYPE

This command sets or queries the error type for which to search on the SpaceWire bus signal.

**Conditions**    Requires option SR-SPACEWIRE

**Group**    Search and Mark

**Syntax**    SEARCH:SEARCH<x>:TRIGger:A:BUS:SPACEWIRE:ERRORTYPE  
                  {EEP|ESC|PARity}  
                  SEARCH:SEARCH<x>:TRIGger:A:BUS:SPACEWIRE:ERRORTYPE?

**Related Commands**    [SEARCH:SEARCH<x>:TRIGger:A:BUS:SPACEWIRE:CONDition](#)

**Arguments**    SEARCH<x> is the search number.  
  
                  EEP sets the error search type to Error end of packet.  
  
                  ESC sets the error search type to Escape error.  
  
                  PARity sets the error search type to Parity error.

**Examples**    SEARCH:SEARCH1:TRIGGER:A:BUS:SPACEWIRE:ERRORTYPE EEP specifies  
                  Error end Of Packet as the field on which to search within a SpaceWire frame.  
  
                  SEARCH:SEARCH1:TRIGGER:A:BUS:SPACEWIRE:ERRORTYPE? might return  
                  SEARCH:SEARCH1:TRIGGER:A:BUS:SPACEWIRE:ERRORTYPE ESC, indicating



that Escape Error is the currently specified field on which to search within a SpaceWire frame.

## SEARCH:SEARCH<x>:TRIGger:A:BUS:SPACEWIRE:TIMECode:VALue

This command sets or queries the binary data string used for SpaceWire search if the search condition is Time Code.

**Conditions** Requires option SR-SPACEWIRE

**Group** Search and Mark

**Syntax** SEARCH:SEARCH<x>:TRIGger:A:BUS:SPACEWIRE:TIMECode:VALue  
<QString>  
SEARCH:SEARCH<x>:TRIGger:A:BUS:SPACEWIRE:TIMECode:VALue?

**Related Commands** [SEARCH:SEARCH<x>:TRIGger:A:BUS:SPACEWIRE:CONDition](#)

**Arguments** SEARCH<x> is the search number.  
  
<QString> sets the binary data value to be used when searching on an SpaceWire bus signal.

**Examples** SEARCH:SEARCH1:TRIGger:A:BUS:B:SPACEWIRE:TIMECode:VALue  
"101011" sets the timecode value to binary 101011.  
  
SEARCH:SEARCH1:TRIGger:A:BUS:B:SPACEWIRE:TIMECode:VALue?  
might return  
SEARCH:SEARCH1:TRIGger:A:BUS:B:SPACEWIRE:TIMECode:VALue  
"101011".

## SEARCH:SEARCH<x>:TRIGger:A:BUS:SPI:CONDition

This command sets or queries the search condition for an SPI bus search to determine where to place a mark. The search number is specified by x.

**Conditions** Requires option 5-SRCOMP or SUP5-SRCOMP Triggering and Analysis application.

**Group** Search and Mark

**Syntax** SEARCH:SEARCH<x>:TRIGger:A:BUS:SPI:CONDition  
 {DATA|SS|STARTofframe}  
 SEARCH:SEARCH<x>:TRIGger:A:BUS:SPI:CONDition?

**Arguments** DATA specifies the trigger condition as Data.  
 SS specifies the trigger condition as Slave Selection.  
 STARTofframe specifies the trigger condition as start of frame.

**Examples** SEARCH:SEARCH1:TRIGGER:A:BUS:SPI:CONDITION SS sets the trigger condition for SPI bus trigger search 1 to SS.  
 SEARCH:SEARCH1:TRIGGER:A:BUS:SPI:CONDITION? might return  
 SEARCH:SEARCH1:TRIGGER:A:BUS:SPI:CONDITION DATA, indicating that the trigger condition for SPI bus trigger search 1 is set to Data.

## SEARCH:SEARCH<x>:TRIGger:A:BUS:SPI:DATA:SIZE

This command sets or queries the length of the data string in bytes used for the specified SPI bus trigger search to determine where to place a mark. The search condition must be DATA. The search number is specified by x.

**Conditions** Requires option 5-SRCOMP or SUP5-SRCOMP Triggering and Analysis application.

**Group** Search and Mark

**Syntax** SEARCH:SEARCH<x>:TRIGger:A:BUS:SPI:DATA:SIZE <NR1>  
 SEARCH:SEARCH<x>:TRIGger:A:BUS:SPI:DATA:SIZE?

**Arguments** <NR1> specifies the number of contiguous data bytes.

**Examples** SEARCH:SEARCH1:TRIGGER:A:BUS:SPI:DATA:SIZE 1 sets the length of the data string for SPI bus trigger search 1 to 1 byte.  
 SEARCH:SEARCH2:TRIGGER:A:BUS:SPI:DATA:SIZE? might return  
 :SEARCH:SEARCH2:TRIGGER:A:BUS:SPI:DATA:SIZE 4, indicating that the length of the data string for SPI bus trigger search 2 is 4 bytes.

## SEARCH:SEARCH<x>:TRIGger:A:BUS:SPI:DATA:VALue

The command sets or queries the binary data string used for an SPI bus search to determine where to place a mark. The search number is specified by x. The search condition must be DATA.

|                   |                                                                                                                                                                                                                                                                                                                                                              |
|-------------------|--------------------------------------------------------------------------------------------------------------------------------------------------------------------------------------------------------------------------------------------------------------------------------------------------------------------------------------------------------------|
| <b>Conditions</b> | Requires option 5-SRCOMP or SUP5-SRCOMP Triggering and Analysis application.                                                                                                                                                                                                                                                                                 |
| <b>Group</b>      | Search and Mark                                                                                                                                                                                                                                                                                                                                              |
| <b>Syntax</b>     | SEARCH:SEARCH<x>:TRIGger:A:BUS:SPI:DATA:VALue <QString><br>SEARCH:SEARCH<x>:TRIGger:A:BUS:SPI:DATA:VALue?                                                                                                                                                                                                                                                    |
| <b>Arguments</b>  | <QString> specifies the data value in the specified valid format. The valid characters are 0, 1, and X for binary format; and A-F, 0-9, and X for hexadecimal format.                                                                                                                                                                                        |
| <b>Examples</b>   | SEARCH:SEARCH1:TRIGGER:A:BUS:SPI:DATA:VALUE "00001111" sets the data value for SPI bus trigger search 1 to "00001111" in binary format.<br><br>SEARCH:SEARCH1:TRIGGER:A:BUS:SPI:DATA:VALUE? might return SEARCH:SEARCH1:TRIGGER:A:BUS:SPI:DATA:VALUE "11", indicating that the data value for SPI bus trigger search 1 is set to "11" in hexadecimal format. |

## SEARCH:SEARCH<x>:TRIGger:A:BUS:SPI:SOURCEType

This command sets or queries trigger Source for SPI bus. The search number is specified by x.

|                   |                                                                                                                                  |
|-------------------|----------------------------------------------------------------------------------------------------------------------------------|
| <b>Conditions</b> | Requires option SR-SPI.                                                                                                          |
| <b>Group</b>      | Search and Mark                                                                                                                  |
| <b>Syntax</b>     | SEARCH:SEARCH<x>:TRIGger:A:BUS:SPI:SOURCEType {MISo MOSi}<br>SEARCH:SEARCH<x>:TRIGger:A:BUS:SPI:SOURCEType?                      |
| <b>Arguments</b>  | MISo specifies the trigger source as MISo. The default search source type is MISo.<br>MOSi specifies the trigger source as MOSi. |

**Examples**     `SEARCH:SEARCH1:TRIGGER:A:BUS:SPI:SOURCEType MOSi` sets the trigger source for SPI bus trigger search 1 to MOSi.

`SEARCH:SEARCH1:TRIGGER:A:BUS:SPI:SOURCEType?` might return `SEARCH:SEARCH1:TRIGGER:A:BUS:SPI:SOURCEType MOSi`, indicating that the trigger source for SPI bus trigger search 1 is MOSi.

## **SEARCH:SEARCH<x>:TRIGger:A:BUS:SPMI:CONDition**

This command sets or queries the search condition for an SPMI bus.

**Conditions**     Requires option SRPM

**Group**           Search and Mark

**Syntax**           `SEARCH:SEARCH<x>:TRIGger:A:BUS:SPMI:CONDition {SSC|RESet|SLEep|SHUTdown|WAKEup|MASTERREAD|MASTERWRITE|REGREAD|REGWRITE|DEVICEDESCMASTERREAD|DEVICEDESCSLAVEREAD|EXTREGREAD|EXTREGWRITE|LONGEXTREGREAD|LONGEXTREGWRITE|REGOWRITE|AUTHenticate|TRANSFERBUSownership|PARityerror}`  
`SEARCH:SEARCH<x>:TRIGger:A:BUS:SPMI:CONDition?`

**Arguments**     `SEARCH<x>` is the search identifier number.

SSC specifies searching for the Sequence Start Condition.

RESet specifies searching for the Reset command sequence.

SLEep specifies searching for the Sleep command sequence.

SHUTdown specifies searching for the Shutdown command sequence.

WAKEup specifies searching for the Wakeup command sequence.

MASTERREAD specifies searching for the Master Read command sequence.

MASTERWRITE specifies searching for the Master Write command sequence.

REGREAD specifies searching for the Register Read command sequence.

REGWRITE specifies searching for the Register Write command sequence.

DEVICEDESCMASTERREAD specifies searching for the Device Descriptor Block Master Read command sequence

DEVICEDESCSLAVEREAD specifies searching for the Device Descriptor Block Slave Read command sequence.

**EXTREGREAd** specifies triggering on the Extended Register Read command sequence.

**EXTREGWRItE** specifies searching for the Extended Register Write command sequence.

**LONGEXTREGREAd** specifies searching for the Extended Register Read Long command sequence.

**LONGEXTREGWRItE** specifies searching for the Extended Register Write Long command sequence.

**REG0WRItE** specifies searching for the Register 0 Write command sequence.

**AUTHenticate** specifies searching for the Authentication command sequence.

**TRANSferbusownership** specifies searching for the Transfer Bus Ownership (TBO) command sequence.

**PARItYerror** specifies searching for the parity errors.

**Examples**

**SEARCH:SEARCH4:TRIGger:A:BUS:SPMI:CONDITION SLEEP** specifies searching for a Sleep command sequence in search Search4.

**SEARCH:SEARCH2:TRIGger:A:BUS:SPMI:CONDITION?** might return **:SEARCH:SEARCH2:TRIGger:A:BUS:SPMI:CONDITION MASTERREAD**, indicating that search Search2 is searching for Master Read command sequences.

## **SEARCH:SEARCH<x>:TRIGger:A:BUS:SPMI:DATA:SIZE**

This command sets or queries the length of the data string, in bytes, to be used when searching on an SPMI bus signal.

**Conditions**

Requires option SRPM.

The Search condition must be set to **EXTREGREAd**, **EXTREGWRItE**, **LONGEXTREGREAd**, or **LONGEXTREGWRItE**.

Note that this a floating point value. If the condition is set to **REG0WRItE**, the query return value will be a fractional value (0.875) because the data size is less than a byte.

**Group**

Trigger

**Syntax**

**SEARCH:SEARCH<x>:TRIGger:A:BUS:SPMI:DATA:SIZE <NR2>**  
**SEARCH:SEARCH<x>:TRIGger:A:BUS:SPMI:DATA:SIZE?**

**Related Commands**    [SEARCH:SEARCH<x>:TRIGger:A:BUS:SPMI:CONDition](#)  
[SEARCH:SEARCH<x>:TRIGger:A:BUS:SPMI:DATA:VALue](#)

**Arguments**    SEARCH<x> is the Search identifier number.  
 <NR2> is the size of the data string in bytes.

**Examples**    SEARCH:SEARCH2:TRIGger:A:BUS:SPMI:DATA:SIZE 1 sets the data size to 1 byte.  
 SEARCH:SEARCH2:TRIGger:A:BUS:SPMI:DATA:SIZE? might return SEARCH:SEARCH2:TRIGger:A:BUS:SPMI:DATA:SIZE 4 to indicate the search data pattern has four bytes of data.

## SEARCH:SEARCH<x>:TRIGger:A:BUS:SPMI:DATA:VALue

This command specifies the binary data string used for SPMI when the search condition is MASTERREAd, MASTERWRItE, REGREAd, REGWRItE, EXTREGREAd, EXTREGWRItE, LONGEXTREGREAd, LONGEXTREGWRItE, or REG0WRItE.

**Conditions**    Requires option SRPM

**Group**    Search and Mark

**Syntax**    SEARCH:SEARCH<x>:TRIGger:A:BUS:SPMI:DATA:VALue <QString>  
 SEARCH:SEARCH<x>:TRIGger:A:BUS:SPMI:DATA:VALue?

**Related Commands**    [SEARCH:SEARCH<x>:TRIGger:A:BUS:SPMI:CONDition](#)

**Arguments**    SEARCH<x> is the search identifier number.  
 <QString> is the binary data string that identifies the data value for which to search.

**Examples**    SEARCH:SEARCH2:TRIGger:A:BUS:SPMI:DATA:VALUE "XXXXXXXX" sets the binary data value to "don't care" for Search 2.  
 SEARCH:SEARCH2:TRIGger:A:BUS:SPMI:DATA:VALUE? might return SEARCH:SEARCH2:TRIGger:A:BUS:SPMI:DATA:VALUE "XXXX1111" to indicate Search 2 is searching for binary data value XXXX1111.

**SEARCH:SEARCH<x>:TRIGger:A:BUS:SPMI:MASTERADDRes:VALue**

This command sets or queries the binary data string that identifies the master address used in SPMI when the search condition is MASTERREAd, MASTERWRItE, or DEVICEDeSCMASTERREAd.

**Conditions** Requires option SRPM

**Group** Search and Mark

**Syntax** SEARCH:SEARCH<x>:TRIGger:A:BUS:SPMI:MASTERADDRESS:VALue  
<QString>  
SEARCH:SEARCH<x>:TRIGger:A:BUS:SPMI:MASTERADDRESS:VALue?

**Related Commands** [SEARCH:SEARCH<x>:TRIGger:A:BUS:SPMI:CONDition](#)

**Arguments** SEARCH<x> is the search identifier number.  
  
<QString> is the binary data string that identifies the master address for which to search.

**Examples** SEARCH:SEARCH2:TRIGger:A:BUS:SPMI:MASTERADDRESS:VALUE "XX" sets the binary master address on which to search to "don't care."  
  
SEARCH:SEARCH3:TRIGger:A:BUS:SPMI:MASTERADDRESS:VALUE? might return SEARCH:SEARCH3:TRIGger:A:BUS:SPMI:MASTERADDRESS:VALUE "11" to indicate that Search 3 is searching for binary master address 11.

**SEARCH:SEARCH<x>:TRIGger:A:BUS:SPMI:NOESPonse**

This command sets or queries whether or not to search for No Response frames.

**Conditions** Requires option SRPM

**Group** Search and Mark

**Syntax** SEARCH:SEARCH<x>:TRIGger:A:BUS:SPMI:NOESPonse <QString>  
SEARCH:SEARCH<x>:TRIGger:A:BUS:SPMI:NOESPonse?

**Related Commands** [SEARCH:SEARCH<x>:TRIGger:A:BUS:SPMI:CONDition](#)

**Arguments** SEARCH<x> is the search identifier number.  
  
<Qstring> is either "TRUE" or "FALSE" boolean value for searching on SPMI No Response frames.

**Examples** SEARCH:SEARCH6:TRIGger:A:BUS:SPMI:NORESPONSE TRUE sets Search 6 to look for No Response frames.  
  
SEARCH:SEARCH4:TRIGger:A:BUS:SPMI:NORESPONSE? might return SEARCH:SEARCH4:TRIGger:A:BUS:SPMI:NORESPONSE FALSE to indicate that the Search 4 is not looking for No Response frames.

## SEARCH:SEARCH<x>:TRIGger:A:BUS:SPMI:REGISTERADDRESS:VALUE

This command sets or queries the binary data string that identifies the register address used in SPMI triggering if the trigger condition is MASTERREAd, MASTERWRItE, REGREAd, REGWRItE, EXTREGREAd, EXTREGWRItE, LONGEXTREGREAd, or LONGEXTREGWRItE.

**Conditions** Requires option SRPM

**Group** Search and Mark

**Syntax** SEARCH:SEARCH<x>:TRIGger:A:BUS:SPMI:REGISTERADDRESS:VALUE  
<Qstring>  
SEARCH:SEARCH<x>:TRIGger:A:BUS:SPMI:REGISTERADDRESS:VALUE?

**Related Commands** [SEARCH:SEARCH<x>:TRIGger:A:BUS:SPMI:CONDition](#)

**Arguments** SEARCH<x> is the search identifier number.  
  
<Qstring> is the binary data string that identifies the register address for which to search.

**Examples** SEARCH:SEARCH2:TRIGger:A:BUS:SPMI:REGISTERADDRESS:VALUE "XXXXXXXX" sets the binary register address to "don't care."  
  
SEARCH:SEARCH5:TRIGger:A:BUS:SPMI:REGISTERADDRESS:VALUE? might return SEARCH:SEARCH5:TRIGger:A:BUS:SPMI:REGISTERADDRESS:VALUE "XXXX1111" to indicate Search 5 is searching for binary register address is XXXX1111.



## SEARCH:SEARCH<x>:TRIGger:A:BUS:SPMI:SLAVEADDRESS:VALue

This command sets or queries the binary data string that identifies the slave address used in SPMI when the search condition is RESet, SLEep, SHUTdown, WAKEup, AUTHenticate, REGREAd, REGWRItE, EXTREGREAd, EXTREGWRItE, LONGEXTREGREAd, LONGEXTREGWRItE, DEVICEDESCSLAVEREAd, or REG0WRItE.

**Conditions** Requires option SRPM

**Group** Search and Mark

**Syntax** SEARCH:SEARCH<x>:TRIGger:A:BUS:SPMI:SLAVEADDRESS:VALue  
<QString>  
SEARCH:SEARCH<x>:TRIGger:A:BUS:SPMI:SLAVEADDRESS:VALue?

**Related Commands** [SEARCH:SEARCH<x>:TRIGger:A:BUS:SPMI:CONDition](#)

**Arguments** SEARCH<x> is the search identifier number.  
  
<QString> is the binary data string that identifies the slave address for which to search.

**Examples** SEARCH:SEARCH3:TRIGger:A:BUS:SPMI:SLAVEADDRESS:VALUE "0011" sets the binary slave address to 0011 on Search 3.  
  
SEARCH:SEARCH1:TRIGger:A:BUS:SPMI:SLAVEADDRESS:VALUE? might return SEARCH:SEARCH1:TRIGger:A:BUS:SPMI:SLAVEADDRESS:VALUE "1010" to indicate the binary slave address is 1010 for Search 1.

## SEARCH:SEARCH<x>:TRIGger:A:BUS:SVID:COMManD:RESPonse

This command sets or queries the command response of the respective command type for SVID bus.

**Conditions** Requires option SR-SVID

**Group** Search and Mark

**Syntax** SEARCH:SEARCH<x>:TRIGger:A:BUS:SVID:COMManD:RESPonse  
{GETReg| GETRegvendor| GETRegtestcfg| SETFast| SETSlow|

```
SETDecay| SETPs| SETRegaddr| SETRegdata| REGAddrvendor|
REGDatavendor| REGAddrtestcfg| REGDatatestcfg| TESTmode|
SETWp| GETRegpktrecent| GETRegpkta1ert| GETRegpktbad|
GETRegvrent}
SEARCH:SEARCH<x>:TRIGger:A:BUS:SVID:COMMAND:RESPonse?
```

### Arguments

SEARCH<x> is the search identifier number.

GETReg specifies the search condition as GETReg. This is the default command response condition.

GETRegvrent specifies the search condition as GETRegvrent.

GETRegtestcfg specifies the search condition as GETRegtestcfg.

SETFast specifies the search condition as SETFast.

SETSlow specifies the search condition as SETSlow.

SETDecay specifies the search condition as SETDecay.

SETPs specifies the search condition as SETPs.

SETRegaddr specifies the search condition as SETRegaddr.

SETRegdata specifies the search condition as SETRegdata.

REGAddrvendor specifies the search condition as REGAddrvendor.

REGDatavendor specifies the search condition as REGDatavendor.

REGAddrtestcfg specifies the search condition as REGAddrtestcfg.

REGDatatestcfg specifies the search condition as REGDatatestcfg.

TESTmode specifies the search condition as TESTmode.

SETWp specifies the search condition as SETWp.

GETRegpktrecent specifies the search condition as GETRegpktrecent.

GETRegpkta1ert specifies the search condition as GETRegpkta1ert.

GETRegpktbad specifies the search condition as GETRegpktbad.

GETRegvrent specifies the search condition as GETRegvrent.

### Examples

SEARCH:SEARCH3:TRIGger:A:BUS:SVID:COMMAND:RESPonse SETSlow specifies setslow of set command as the field within a SVID frame to search on.

SEARCH:SEARCH1:TRIGger:A:BUS:SVID:COMMAND:RESPonse? might return SEARCH:SEARCH1:TRIGger:A:BUS:SVID:COMMAND:RESPonse SETSlow, indicating that SETSlow is the currently specified field within a SVID frame to search on.

## SEARCH:SEARCH<x>:TRIGger:A:BUS:SVID:COMManD:TYPe

This command sets or queries the command type for SVID bus.

**Conditions** Requires option SR-SVID

**Group** Search and Mark

**Syntax** SEARCH:SEARCH<x>:TRIGger:A:BUS:SVID:COMManD:TYPe  
{GET|SET|OPTional}  
SEARCH:SEARCH<x>:TRIGger:A:BUS:SVID:COMManD:TYPe?

**Arguments** SEARCH<x> is the search identifier number.  
  
GET specifies the search condition as GET. This is the default command type condition.  
  
SET specifies the search condition as SET.  
  
OPTional specifies the search condition as OPTional.

**Examples** SEARCH:SEARCH3:TRIGger:A:BUS:SVID:COMManD:TYPe SET specifies SET as the field within a SVID frame to search on.

SEARCH:SEARCH1:TRIGger:A:BUS:SVID:COMManD:TYPe? might return  
SEARCH:SEARCH1:TRIGger:A:BUS:SVID:COMManD:TYPe SET, indicating that SET is the currently specified field within a SVID frame to search on.

## SEARCH:SEARCH<x>:TRIGger:A:BUS:SVID:CONDition

This command sets or queries the trigger condition for SVID bus.

**Conditions** Requires option SR-SVID

**Group** Search and Mark

**Syntax** SEARCH:SEARCH<x>:TRIGger:A:BUS:SVID:CONDition  
{STARTCONDition| SLAVEADDRESS| COMManD| PAYLoad|  
ERRORs}  
SEARCH:SEARCH<x>:TRIGger:A:BUS:SVID:CONDition?

|                  |                                                                                                                                                                                                                                                                                                                                                                                                                           |
|------------------|---------------------------------------------------------------------------------------------------------------------------------------------------------------------------------------------------------------------------------------------------------------------------------------------------------------------------------------------------------------------------------------------------------------------------|
| <b>Arguments</b> | <p>SEARCH&lt;x&gt; is the search identifier number.</p> <p>STARTCONDition specifies the search condition as STARTCONDition. This is the default trigger on condition.</p> <p>SLAVEADDRESS specifies the search condition as SLAVEADDRess.</p> <p>COMMANd specifies the search condition as COMMANd.</p> <p>PAYLoad specifies the search condition as PAYLoad.</p> <p>ERRORS specifies the search condition as ERRors.</p> |
| <b>Examples</b>  | <p>SEARCH:SEARCH3:TRIGger:A:BUS:SVID:SVID:CONDition ERRors specifies ERRors as the field within a SVID frame to search on.</p> <p>SEARCH:SEARCH1:TRIGger:A:BUS:SVID:CONDition? might return SEARCH:SEARCH1:TRIGger:A:BUS:SVID:CONDition ERRors, indicating that ERRors is the currently specified field within a SVID frame to search on.</p>                                                                             |

## SEARCH:SEARCH<x>:TRIGger:A:BUS:SVID:ERRor:TYPE

This command sets or queries the error type for SVID bus.

|                   |                                                                                                                                                                                                                                                                                                                                                                               |
|-------------------|-------------------------------------------------------------------------------------------------------------------------------------------------------------------------------------------------------------------------------------------------------------------------------------------------------------------------------------------------------------------------------|
| <b>Conditions</b> | Requires option SR-SVID                                                                                                                                                                                                                                                                                                                                                       |
| <b>Group</b>      | Search and Mark                                                                                                                                                                                                                                                                                                                                                               |
| <b>Syntax</b>     | <p>SEARCH:SEARCH&lt;x&gt;:TRIGger:A:BUS:SVID:ERRor:TYPE {ANY  NACK  REJect  MIXed  PARity}</p> <p>SEARCH:SEARCH&lt;x&gt;:TRIGger:A:BUS:SVID:ERRor:TYPE?</p>                                                                                                                                                                                                                   |
| <b>Arguments</b>  | <p>SEARCH&lt;x&gt; is the search identifier number.</p> <p>ANY specifies the search condition as ANY. This is the default error type condition.</p> <p>NACK specifies the search condition as NACK.</p> <p>REJect specifies the search condition as REJect.</p> <p>MIXed specifies the search condition as MIXed.</p> <p>PARity specifies the search condition as PARity.</p> |
| <b>Examples</b>   | <p>SEARCH:SEARCH3:TRIGger:A:BUS:SVID:SVID:ERRor:TYPE PARity specifies PARity as the field within a SVID frame to search on.</p>                                                                                                                                                                                                                                               |

SEARCH:SEARCH1:TRIGger:A:BUS:SVID:ERRor:TYPe? might return  
SEARCH:SEARCH1:TRIGger:A:BUS:SVID:ERRor:TYPe PARity, indicating  
that PARity is the currently specified field within a SVID frame to search on.

## SEARCH:SEARCH<x>:TRIGger:A:BUS:SVID:PAYLoad:TYPe

This command sets or queries the payload type for SVID bus.

**Conditions** Requires option SR-SVID

**Group** Search and Mark

**Syntax** SEARCH:SEARCH<x>:TRIGger:A:BUS:SVID:PAYLoad:TYPe  
{MASTER|SLAVE|EITHER}  
SEARCH:SEARCH<x>:TRIGger:A:BUS:SVID:PAYLoad:TYPe?

**Arguments** SEARCH<x> is the search identifier number.  
  
MASTER specifies the search condition as MASTER. This is the default payload  
type condition.  
  
SLAVE specifies the search condition as SLAVE.  
  
EITHER specifies the search condition as EITHER.

**Examples** SEARCH:SEARCH3:TRIGger:A:BUS:SVID:SVID:PAYLoad:TYPe SLAVE  
specifies SLAVE payload as the field within a SVID frame to search on.  
  
SEARCH:SEARCH1:TRIGger:A:BUS:SVID:PAYLoad:TYPe? might return  
SEARCH:SEARCH1:TRIGger:A:BUS:SVID:PAYLoad:TYPe PARity,  
indicating that SLAVE is the currently specified field within a SVID frame to  
search on.

## SEARCH:SEARCH<x>:TRIGger:A:BUS:SVID:PAYLoad:VALue

This command sets or queries the payload value to be used when search is on  
SVID bus.

**Conditions** Requires option SR-SVID

**Group** Search and Mark

**Syntax** SEARCH:SEARCH<x>:TRIGger:A:BUS:SVID:PAYLoad:VALue <QString>  
SEARCH:SEARCH<x>:TRIGger:A:BUS:SVID:PAYLoad:VALue?

**Arguments** SEARCH<x> is the search identifier number.  
  
<QString> specifies the data value in the specified valid format. The valid characters are 0, 1, and X for binary; for hexadecimal; and symbolic).

**Examples** SEARCH:SEARCH1:TRIGGER:A:BUS:SVID:PAYLOAD:VALue "XXXX"  
specifies the payload value as XXXX within a SVID frame to search on.  
  
SEARCH:SEARCH1:TRIGGER:A:BUS:SVID:PAYLOAD:VALue? might return  
SEARCH:SEARCH1:TRIGGER:A:BUS:SVID:PAYLOAD:VALue "XXXX",  
indicating the payload value is XXXX within a SVID frame to search on.

## SEARCH:SEARCH<x>:TRIGger:A:BUS:SVID:SLAVE:ADDRESS

This command sets or queries the slave address to be used when search is on SVID bus.

**Conditions** Requires option SR-SVID

**Group** Search and Mark

**Syntax** SEARCH:SEARCH<x>:TRIGger:A:BUS:SVID:SLAVE:ADDRESS <QString>  
SEARCH:SEARCH<x>:TRIGger:A:BUS:SVID:SLAVE:ADDRESS?

**Arguments** SEARCH<x> is the search identifier number.  
  
<QString> specifies the data value in the specified valid format. The valid characters are 0, 1, and X for binary; for hexadecimal; and symbolic). the default address is XXXX.

**Examples** SEARCH:SEARCH1:TRIGGER:A:BUS:SVID:SLAVE:ADDRESS "XXXX"  
specifies the pslave address as XXXX within a SVID frame to search on.  
  
SEARCH:SEARCH1:TRIGGER:A:BUS:SVID:SLAVE:ADDRESS? might return  
SEARCH:SEARCH1:TRIGGER:A:BUS:SVID:SLAVE:ADDRESS "XXXX",  
indicating the slave address is XXXX within a SVID frame to search on.

## SEARCH:SEARCH<x>:TRIGger:A:BUS:USB:ADDress:HIVALue

This command sets or queries the high binary address value used when searching on a USB bus signal to determine where to place a mark. The search number is specified by x. The search condition must be set to TOKEN.

The VALue and HIVALue set a range that the INrange and OUTrange qualifiers use to decide when to trigger. For example, if the QUALIFER is set to INrange, and the address is within the range set by VALue and HIVALue, then a trigger can be generated.

**Conditions** Requires option 5-SRUSB2 or SUP5-SRUSB2 Triggering and Analysis application.

**Group** Search and Mark

**Syntax** SEARCH:SEARCH<x>:TRIGger:A:BUS:USB:ADDress:HIVALue <QString>  
SEARCH:SEARCH<x>:TRIGger:A:BUS:USB:ADDress:HIVALue?

**Related Commands** [SEARCH:SEARCH<x>:TRIGger:A:BUS:USB:ADDress:VALue](#)

**Arguments** <QString> specifies the data value in the specified valid format. The valid characters are 0, 1, and X for binary; for hexadecimal; and symbolic).

**Examples** SEARCH:SEARCH1:TRIGGER:A:BUS:USB:ADDRESS:HIVALUE  
SEARCH:SEARCH1:TRIGGER:A:BUS:USB:ADDRESS:HIVALUE? might return SEARCH:SEARCH1:TRIGGER:A:BUS:USB:ADDRESS:HIVALUE "XX", indicating that the address value for normal token for USB bus trigger search 1 is set to "XX," in hexadecimal format.

## SEARCH:SEARCH<x>:TRIGger:A:BUS:USB:ADDress:VALue

This command sets or queries the binary address value used for a USB bus search to determine where to place a mark. The search number is specified by x. The search condition must be set to TOKEN.

**Conditions** Requires option 5-SRUSB2 or SUP5-SRUSB2 Triggering and Analysis application.

**Group** Search and Mark

**Syntax** SEARCH:SEARCH<x>:TRIGger:A:BUS:USB:ADDRESS:VALue <QString>  
SEARCH:SEARCH<x>:TRIGger:A:BUS:USB:ADDRESS:VALue?

**Related Commands** [SEARCH:SEARCH<x>:TRIGger:A:BUS:USB:ADDRESS:HIVALue](#)

**Arguments** <QString> specifies the data value in the specified valid format. Valid characters are 0, 1, and X for binary; A-F, 0-9 and X for hexadecimal; and for symbolic.

**Examples** SEARCH:SEARCH1:TRIGGER:A:BUS:USB:ADDRESS:VALUE "1110000" sets the address value for the normal token for USB bus trigger search 1 to "1110000" in binary format.

SEARCH:SEARCH1:TRIGGER:A:BUS:USB:ADDRESS:VALUE? might return SEARCH:SEARCH1:TRIGGER:A:BUS:USB:ADDRESS:VALUE "11", indicating that the address value for normal token for USB bus trigger search 1 is set to "11" hexadecimal format.

## SEARCH:SEARCH<x>:TRIGger:A:BUS:USB:CHARacter

This command sets or queries the trigger condition for an USB bus on specific control symbol. The search number is specified by x.

**Conditions** Requires option SRUSB3.

**Group** Search and Mark

**Syntax** SEARCH:SEARCH<x>:TRIGger:A:BUS:USB:CHARacter {COM| EDB| END| EPF| SDP| SHP| SKP| SLC| SUB| Any}  
SEARCH:SEARCH<x>:TRIGger:A:BUS:USB:CHARacter?

**Arguments** COM specifies the control symbol as Comma (K28.5).  
EDB specifies the control symbol as End Bad (K28.3).  
END specifies the control symbol as End (K29.7).  
EPF specifies the control symbol as End Packet Framing (K23.7).  
SDP specifies the control symbol as Start Data Packet (K28.2).  
SHP specifies the control symbol as Start Header Packet (K27.7).  
SKP specifies the control symbol as Skip (K28.1).  
SLC specifies the control symbol as Start Link Command (K30.7).



SUB specifies the control symbol as Secode Error Substitution (K28.4).

Any specifies any control symbol.

**Examples** SEARCH:SEARCH1:TRIGger:A:BUS:USB:CHARacter EDB sets the control symbol for USB bus trigger search 1 to EDB.

SEARCH:SEARCH1:TRIGger:A:BUS:USB:CHARacter? might return SEARCH:SEARCH1:TRIGger:A:BUS:USB:CHARacter EPF, indicating that the control symbol for USB bus trigger search 1 is set to EPF.

## SEARCH:SEARCH<x>:TRIGger:A:BUS:USB:COMPLiance

This command sets or queries the trigger condition for an USB bus on Compliance Pattern sequences. The search number is specified by x.

**Conditions** Requires option SRUSB3. Packet view must be Off.

**Group** Search and Mark

**Syntax** SEARCH:SEARCH<x>:TRIGger:A:BUS:USB:COMPLiance  
{CP1|CP3|CP4|CP56|CP78}  
SEARCH:SEARCH<x>:TRIGger:A:BUS:USB:COMPLiance?

**Related Commands** [BUS:B<x>:USB:DISplaymode](#)

**Arguments** CP1 specifies the compliance pattern sequence as CP1.  
CP3 specifies the compliance pattern sequence as CP3.  
CP4 specifies the compliance pattern sequence as CP4.  
CP56 specifies the compliance pattern sequence as CP5 or CP6.  
CP78 specifies the compliance pattern sequence as CP7 or CP8.

**Examples** SEARCH:SEARCH1:TRIGger:A:BUS:USB:COMPLiance CP1 sets the compliance pattern sequence to CP1.

SEARCH:SEARCH1:TRIGger:A:BUS:USB:COMPLiance? might return :SEARCH:SEARCH1:TRIGger:A:BUS:USB:COMPLiance CP3, indicating that the compliance pattern sequence for USB bus trigger search 1 is set to CP3.

## SEARCH:SEARCH<x>:TRIGger:A:BUS:USB:CONDition

This command sets or queries the search condition for a USB bus search to determine where to place a mark. The search number is specified by x.

|                         |                                                                                                                                                                                                                                                                                                                                                                                                                                                                                                                                                                                                                                                                                                                                                                                                                                                                                                                                                                                                                                                                                                                                                                                                                                                                   |
|-------------------------|-------------------------------------------------------------------------------------------------------------------------------------------------------------------------------------------------------------------------------------------------------------------------------------------------------------------------------------------------------------------------------------------------------------------------------------------------------------------------------------------------------------------------------------------------------------------------------------------------------------------------------------------------------------------------------------------------------------------------------------------------------------------------------------------------------------------------------------------------------------------------------------------------------------------------------------------------------------------------------------------------------------------------------------------------------------------------------------------------------------------------------------------------------------------------------------------------------------------------------------------------------------------|
| <b>Conditions</b>       | Requires option 5-SRUSB2, SUP5-SRUSB2, or SRUSB3 Triggering and Analysis application.                                                                                                                                                                                                                                                                                                                                                                                                                                                                                                                                                                                                                                                                                                                                                                                                                                                                                                                                                                                                                                                                                                                                                                             |
| <b>Group</b>            | Search and Mark                                                                                                                                                                                                                                                                                                                                                                                                                                                                                                                                                                                                                                                                                                                                                                                                                                                                                                                                                                                                                                                                                                                                                                                                                                                   |
| <b>Syntax</b>           | SEARCH:SEARCH<x>:TRIGger:A:BUS:USB:CONDition {COMPATtern CONTROLCH CUSTom DATAPacket EOP ERRor HANDSHAKEPacket OSET PACKet RESET RESUME SPECIALPacket SUSPEND SYNC TOKENPacket}<br>SEARCH:SEARCH<x>:TRIGger:A:BUS:USB:CONDition?                                                                                                                                                                                                                                                                                                                                                                                                                                                                                                                                                                                                                                                                                                                                                                                                                                                                                                                                                                                                                                  |
| <b>Related Commands</b> | <a href="#">BUS:B&lt;x&gt;:USB:DISplaymode</a>                                                                                                                                                                                                                                                                                                                                                                                                                                                                                                                                                                                                                                                                                                                                                                                                                                                                                                                                                                                                                                                                                                                                                                                                                    |
| <b>Arguments</b>        | <p>COMPATtern specifies the search condition as Compliance Pattern. Packet view must be Off. Requires option SRUSB3. Packet view must be Off.</p> <p>CONTROLCH specifies the search condition as Control Character. Requires option SRUSB3.</p> <p>CUSTom specifies the search condition as Custom symbol search. Packet view must be Off. Requires option SRUSB3. Packet view must be Off.</p> <p>DATAPacket specifies the search condition as Data Packet.</p> <p>EOP specifies the search condition as End of Packet.</p> <p>ERRor specifies the search condition as Error.</p> <p>HANDSHAKEPacket specifies the search condition as Handshake Packet.</p> <p>OSET specifies the search condition as Ordered Set. Requires option SRUSB3.</p> <p>PACKet specifies the search condition as Packets. Packet view must be On. Requires option SRUSB3. Packet view must be On.</p> <p>RESET specifies the search condition as Reset.</p> <p>RESUME specifies the search condition as Resume.</p> <p>SPECIALPacket specifies the search condition as Special Packet.</p> <p>SUSPEND specifies the search condition as Suspend.</p> <p>SYNC specifies the search condition as Sync.</p> <p>TOKENPacket specifies the search condition as Token (Address) Packet.</p> |

**Examples**     `SEARCH:SEARCH1:TRIGGER:A:BUS:USB:CONDITION EOP` sets the search condition for USB bus trigger search 1 to End of Packet.

`SEARCH:SEARCH1:TRIGGER:A:BUS:USB:CONDITION?` might return `SEARCH:SEARCH1:TRIGGER:A:BUS:USB:CONDITION SYNC`, indicating that the search condition for USB bus trigger search 1 is set to Sync.

## SEARCH:SEARCH<x>:TRIGger:A:BUS:USB:CRCTYPE

This command specifies the USB3 CRC trigger type to be valid on a CRC5, CRC16 or CRC32. The search number is specified by x.

**Conditions**     Requires option SRUSB3.

**Group**            Search and Mark

**Syntax**            `SEARCH:SEARCH<x>:TRIGger:A:BUS:USB:CRCTYPE {CRC5| CRC16| CRC32}`  
`SEARCH:SEARCH<x>:TRIGger:A:BUS:USB:CRCTYPE?`

**Arguments**        CRC5 specifies CRC error type to be CRC5.  
 CRC16 specifies CRC error type to be CRC16.  
 CRC32 specifies CRC error type to be CRC32.

**Examples**        `SEARCH:SEARCH1:TRIGger:A:BUS:USB:CRCTYPE CRC5` sets the CRC error type as CRC5.

`SEARCH:SEARCH1:TRIGger:A:BUS:USB:CRCTYPE?` might return `:SEARCH:SEARCH1:TRIGger:A:BUS:USB:CRCTYPE CRC16`, indicating that the CRC error type for USB bus trigger search 1 is set to CRC16.

## SEARCH:SEARCH<x>:TRIGger:A:BUS:USB:CUSTOm:CHARacters

This command sets or queries the pattern of characters in the custom pattern. The search number is specified by x.

**Conditions**        Requires option SRUSB3. The Mark On condition must be set to CUSTOm.

**Group**            Search and Mark

**Syntax** SEARCH:SEARCH<x>:TRIGger:A:BUS:USB:CUSTom:CHARacters  
<QString>  
SEARCH:SEARCH<x>:TRIGger:A:BUS:USB:CUSTom:CHARacters?

**Related Commands** [SEARCH:SEARCH<x>:TRIGger:A:BUS:USB:CONDition](#)

**Arguments** <QString> specifies the data value in the specified valid format (binary, hexadecimal, or symbolic). The valid characters for binary are 0, 1, and X. The value must be a series of K-codes or XXX.X. The default value is K28.5. A minimum of 1 character and a maximum of 16 characters.

**Examples** SEARCH:SEARCH1:TRIGger:A:BUS:USB:CUSTom:CHARacters  
"K28.5,XXX.X,K28.7" sets the pattern of characters for the custom pattern as  
K28.5,XXX.X,K28.7.

SEARCH:SEARCH1:TRIGger:A:BUS:USB:CUSTom:CHARacters? might  
return SEARCH:SEARCH1:TRIGger:A:BUS:USB:CUSTom:CHARacters  
"K28.5,XXX.X,K28.7", indicating the pattern of characters for the custom  
pattern is set to K28.5,XXX.X,K28.7.

## SEARCH:SEARCH<x>:TRIGger:A:BUS:USB:CUSTom:HEXVALue

This command sets or queries the pattern of Hex descrambled data values in the custom pattern. The search number is specified by x.

**Conditions** Requires option SRUSB3. The Mark On condition must be set to CUSTom.

**Group** Search and Mark

**Syntax** SEARCH:SEARCH<x>:TRIGger:A:BUS:USB:CUSTom:HEXVALue <QString>  
SEARCH:SEARCH<x>:TRIGger:A:BUS:USB:CUSTom:HEXVALue?

**Related Commands** [SEARCH:SEARCH<x>:TRIGger:A:BUS:USB:CONDition](#)

**Arguments** <QString> specifies the data value in the specified valid format (binary, hexadecimal, or symbolic). The valid characters for binary are 0, 1, and X. The value must be a series of hex values. The default value is BC. A minimum of 1 bit values. A maximum of 16 bit values.

**Examples**     `SEARCH:SEARCH1:TRIGger:A:BUS:USB:CUSTom:HEXVALue`  
`"BC,FF,XX,11"` sets the pattern of Hex descrambled data values for the custom pattern as BC,FF,XX,11.

`SEARCH:SEARCH1:TRIGger:A:BUS:USB:CUSTom:HEXVALue?` might return `SEARCH:SEARCH1:TRIGger:A:BUS:USB:CUSTom:HEXVALue` `"BC,FF,XX,11"`, indicating the pattern of Hex descrambled data values for the custom pattern is set to BC,FF,XX,11.

## SEARCH:SEARCH<x>:TRIGger:A:BUS:USB:CUSTom:NUMSYMBOLs

This command sets or queries the number of symbols in the custom pattern. The search number is specified by x.

**Conditions**     Requires option SRUSB3. The Mark On condition must be set to CUSTom.

**Group**     Search and Mark

**Syntax**     `SEARCH:SEARCH<x>:TRIGger:A:BUS:USB:CUSTom:NUMSYMBOLs <NR1>`  
`SEARCH:SEARCH<x>:TRIGger:A:BUS:USB:CUSTom:NUMSYMBOLs?`

**Related Commands**     [SEARCH:SEARCH<x>:TRIGger:A:BUS:USB:CONDition](#)

**Arguments**     <NR1> specifies the number of symbols for the custom pattern. The default value is 1. A minimum of 1 character and a maximum of 16 characters.

**Examples**     `SEARCH:SEARCH1:TRIGger:A:BUS:USB:CUSTom:NUMSYMBOLs 5` sets the number of symbols for the custom pattern as 5.

`SEARCH:SEARCH1:TRIGger:A:BUS:USB:CUSTom:NUMSYMBOLs?` might return `SEARCH:SEARCH1:TRIGger:A:BUS:USB:CUSTom:NUMSYMBOLs 5`, indicating the number of symbols for the custom pattern is set to 5.

## SEARCH:SEARCH<x>:TRIGger:A:BUS:USB:DATA:HIVALue

This command sets or queries the high binary data value used with In Range and Out of Range qualifiers for a USB bus search to determine where to place a mark. The search number is specified by x. The search condition must be set to DATA.

**Conditions**     Requires option 5-SRUSB2 or SUP5-SRUSB2 Triggering and Analysis application.

|                  |                                                                                                                                                                                                                                                                                                                                                                    |
|------------------|--------------------------------------------------------------------------------------------------------------------------------------------------------------------------------------------------------------------------------------------------------------------------------------------------------------------------------------------------------------------|
| <b>Group</b>     | Search and Mark                                                                                                                                                                                                                                                                                                                                                    |
| <b>Syntax</b>    | SEARCH:SEARCH<x>:TRIGger:A:BUS:USB:DATA:HIVALue <QString><br>SEARCH:SEARCH<x>:TRIGger:A:BUS:USB:DATA:HIVALue?                                                                                                                                                                                                                                                      |
| <b>Arguments</b> | <QString> specifies the data value in the specified valid format (binary, hexadecimal, or symbolic). The valid characters for binary are 0, 1, and X;                                                                                                                                                                                                              |
| <b>Examples</b>  | SEARCH:SEARCH1:TRIGGER:A:BUS:USB:DATA:HIVALUE "XXXXX111" sets the data value for USB bus trigger search 1 to "XXXXX111" in binary format.<br><br>SEARCH:SEARCH1:TRIGGER:A:BUS:USB:DATA:HIVALUE? might return SEARCH:SEARCH1:TRIGGER:A:BUS:USB:DATA:HIVALUE "11", indicating that the data value for USB bus trigger search 1 is set to "11" in hexadecimal format. |

## SEARCH:SEARCH<x>:TRIGger:A:BUS:USB:DATA:OFFSet

This command sets the byte offset to look for a data pattern at, in bytes, to be used when searching on a USB bus signal. The search number is specified by x. The search condition must be set to DATA.

|                   |                                                                                                                                                                                                                                                                                                                        |
|-------------------|------------------------------------------------------------------------------------------------------------------------------------------------------------------------------------------------------------------------------------------------------------------------------------------------------------------------|
| <b>Conditions</b> | Requires option 5-SRUSB2 or SUP5-SRUSB2 Triggering and Analysis application.                                                                                                                                                                                                                                           |
| <b>Group</b>      | Search and Mark                                                                                                                                                                                                                                                                                                        |
| <b>Syntax</b>     | SEARCH:SEARCH<x>:TRIGger:A:BUS:USB:DATA:OFFSet <NR1><br>SEARCH:SEARCH<x>:TRIGger:A:BUS:USB:DATA:OFFSet?                                                                                                                                                                                                                |
| <b>Arguments</b>  | <NR1> specifies the data offset in bytes.                                                                                                                                                                                                                                                                              |
| <b>Examples</b>   | SEARCH:SEARCH1:TRIGGER:A:BUS:USB:DATA:OFFSET 5 sets the data offset for USB bus trigger search 1 to 5 bytes.<br><br>SEARCH:SEARCH1:TRIGGER:A:BUS:USB:DATA:OFFSET? might return SEARCH:SEARCH1:TRIGGER:A:BUS:USB:DATA:OFFSET DONTCARE, indicating that the data offset for USB bus trigger search 1 is set to DONTCare. |

## SEARCH:SEARCH<x>:TRIGger:A:BUS:USB:DATA:QUALifier

This command sets or queries the qualifier to be used when searching on a USB bus signal. The search condition must be set to IDANDDATA OR DATA. The search number is specified by x.

**Conditions** Requires option 5-SRUSB2 or SUP5-SRUSB2 Triggering and Analysis application.

**Group** Search and Mark

**Syntax** SEARCH:SEARCH<x>:TRIGger:A:BUS:USB:DATA:QUALifier {Equal|UNEQUAL|LESSthan|MOREthan|LESSEQUAL|MOREEQUAL|INrange|OUTrange}  
SEARCH:SEARCH<x>:TRIGger:A:BUS:USB:DATA:QUALifier?

**Arguments** Equal specifies the qualifier as Equal.  
INrange specifies the qualifier as Inside Range.  
LESSEQUAL specifies the qualifier as Less Than or Equal to.  
MOREEQUAL specifies the qualifier as More Than or Equal to.  
OUTrange specifies the qualifier as Out of Range.  
UNEQUAL specifies the qualifier as Unequal.  
LESSthan specifies the qualifier as Less Than.  
MOREthan specifies the qualifier as More Than.

**Examples** SEARCH:SEARCH1:TRIGger:A:BUS:USB:DATA:QUALifier INRANGE sets the qualifier to INRANGE.  
SEARCH:SEARCH1:TRIGger:A:BUS:USB:DATA:QUALifier? might return SEARCH:SEARCH1:TRIGGER:A:BUS:USB:DATA:QUALIFIER EQUAL indicating the qualifier is set to equal.

## SEARCH:SEARCH<x>:TRIGger:A:BUS:USB:DATA:SIZE

This command sets or queries the length of the data string, in bytes, used for a USB bus search to determine where to place a mark. The search number is specified by x. The search condition must be set to DATA.

|                   |                                                                                                                                                                                                                                                                                                                                    |
|-------------------|------------------------------------------------------------------------------------------------------------------------------------------------------------------------------------------------------------------------------------------------------------------------------------------------------------------------------------|
| <b>Conditions</b> | Requires option 5-SRUSB2 or SUP5-SRUSB2 Triggering and Analysis application.                                                                                                                                                                                                                                                       |
| <b>Group</b>      | Search and Mark                                                                                                                                                                                                                                                                                                                    |
| <b>Syntax</b>     | SEARCH:SEARCH<x>:TRIGger:A:BUS:USB:DATA:SIZE <NR1><br>SEARCH:SEARCH<x>:TRIGger:A:BUS:USB:DATA:SIZE?                                                                                                                                                                                                                                |
| <b>Arguments</b>  | <NR1> specifies the data size in bytes.                                                                                                                                                                                                                                                                                            |
| <b>Examples</b>   | SEARCH:SEARCH1:TRIGGER:A:BUS:USB:DATA:SIZE 1 sets the size of the data string for USB bus trigger search 1 to 1 byte.<br><br>SEARCH:SEARCH1:TRIGGER:A:BUS:USB:DATA:SIZE? might return<br>SEARCH:SEARCH1:TRIGGER:A:BUS:USB:DATA:SIZE 3, indicating that the size of the data string for USB bus trigger search 1 is set to 3 bytes. |

## SEARCH:SEARCH<x>:TRIGger:A:BUS:USB:DATA:TYPE

This command sets or queries the USB bus search type. The search number is specified by x.

|                   |                                                                                                                                                                                                                                                                    |
|-------------------|--------------------------------------------------------------------------------------------------------------------------------------------------------------------------------------------------------------------------------------------------------------------|
| <b>Conditions</b> | Requires option 5-SRUSB2 or SUP5-SRUSB2 Triggering and Analysis application.                                                                                                                                                                                       |
| <b>Group</b>      | Search and Mark                                                                                                                                                                                                                                                    |
| <b>Syntax</b>     | SEARCH:SEARCH<x>:TRIGger:A:BUS:USB:DATA:TYPE<br>{ANY DATA0 DATA1 DATA2 MDATA}<br>SEARCH:SEARCH<x>:TRIGger:A:BUS:USB:DATA:TYPE?                                                                                                                                     |
| <b>Arguments</b>  | ANY specifies the data packet type as Any.<br><br>DATA0 specifies the data packet type as DATA0.<br><br>DATA1 specifies the data packet type as DATA1.<br><br>DATA2 specifies the data packet type as DATA2.<br><br>MDATA specifies the data packet type as MDATA. |



**Examples**     `SEARCH:SEARCH1:TRIGGER:A:BUS:USB:DATA:TYPE ANY` sets the data packet type for USB bus trigger search 1 to ANY.

`SEARCH:SEARCH2:TRIGGER:A:BUS:USB:DATA:TYPE?` might return  
`:SEARCH:SEARCH2:TRIGGER:A:BUS:USB:DATA:TYPE MDADA`, indicating that the packet type for USB bus trigger search 2 is set to MDATA.

## SEARCH:SEARCH<x>:TRIGger:A:BUS:USB:DATA:VALue

This command sets or queries the binary data value used for a USB bus search to determine where to place a mark. The search number is specified by x. The search condition must be set to DATA.

**Conditions**     Requires option 5-SRUSB2 or SUP5-SRUSB2 Triggering and Analysis application.

**Group**            Search and Mark

**Syntax**            `SEARCH:SEARCH<x>:TRIGger:A:BUS:USB:DATA:VALue <QString>`  
`SEARCH:SEARCH<x>:TRIGger:A:BUS:USB:DATA:VALue?`

**Arguments**       <QString> specifies the data value. The valid characters are 0, 1, and X for binary format; and A-F, 0-9, and X for hexadecimal format.

**Examples**         `SEARCH:SEARCH1:TRIGGER:A:BUS:USB:DATA:VALUE "AB"` sets the data value for data token for USB bus trigger search 1 to "AB" in hexadecimal format.

`SEARCH:SEARCH1:TRIGGER:A:BUS:USB:DATA:VALUE?` might return  
`SEARCH:SEARCH1:TRIGGER:A:BUS:USB:DATA:VALUE "XXXXXXXX"`, indicating that the data value for data token for USB bus trigger search 1 is set to "XXXXXXXX" in binary format.

## SEARCH:SEARCH<x>:TRIGger:A:BUS:USB:ENDPoint:VALue

This command sets or queries the endpoint binary value used for a USB bus search to determine where to place a mark. The search number is specified by x. The search condition must be set to TOKEN.

**Conditions**       Requires option 5-SRUSB2 or SUP5-SRUSB2 Triggering and Analysis application.

|                  |                                                                                                                                                                                                                                                                                                                                                                                                          |
|------------------|----------------------------------------------------------------------------------------------------------------------------------------------------------------------------------------------------------------------------------------------------------------------------------------------------------------------------------------------------------------------------------------------------------|
| <b>Group</b>     | Search and Mark                                                                                                                                                                                                                                                                                                                                                                                          |
| <b>Syntax</b>    | SEARCH:SEARCH<x>:TRIGger:A:BUS:USB:ENDPoint:VALue <QString><br>SEARCH:SEARCH<x>:TRIGger:A:BUS:USB:ENDPoint:VALue?                                                                                                                                                                                                                                                                                        |
| <b>Arguments</b> | <QString> specifies the data value in the specified valid format. The valid characters are 0, 1, and X for binary format; A-F, 0-9 and X for hexadecimal format.                                                                                                                                                                                                                                         |
| <b>Examples</b>  | SEARCH:SEARCH1:TRIGGER:A:BUS:USB:ENDPOINT:VALUE "1111" sets the endpoint value for normal token for USB bus trigger search 1 to "1111" in binary format.<br><br>SEARCH:SEARCH1:TRIGGER:A:BUS:USB:ENDPOINT:VALUE? might return SEARCH:SEARCH1:TRIGGER:A:BUS:USB:ENDPOINT:VALUE "1", indicating that the endpoint value for normal token for USB bus trigger search 1 is set to "1" in hexadecimal format. |

## SEARCH:SEARCH<x>:TRIGger:A:BUS:USB:ERR8B10B:TYPE

This command specifies the USB3 8b10b encoding error trigger type to be valid on a character or disparity. The search number is specified by x.

|                   |                                                                                                                                                                                                                                                                                                                            |
|-------------------|----------------------------------------------------------------------------------------------------------------------------------------------------------------------------------------------------------------------------------------------------------------------------------------------------------------------------|
| <b>Conditions</b> | Requires option SRUSB3.                                                                                                                                                                                                                                                                                                    |
| <b>Group</b>      | Search and Mark                                                                                                                                                                                                                                                                                                            |
| <b>Syntax</b>     | SEARCH:SEARCH<x>:TRIGger:A:BUS:USB:ERR8B10B:TYPE<br>{CHARacter DISParity}<br>SEARCH:SEARCH<x>:TRIGger:A:BUS:USB:ERR8B10B:TYPE?                                                                                                                                                                                             |
| <b>Arguments</b>  | CHARacter specifies 8b10b error trigger type as character.<br><br>DISParity specifies 8b10b error trigger type as disparity.                                                                                                                                                                                               |
| <b>Examples</b>   | SEARCH:SEARCH1:TRIGger:A:BUS:USB:ERR8B10B:TYPE CHARacter sets the 8b10b trigger type as character.<br><br>SEARCH:SEARCH1:TRIGger:A:BUS:USB:ERR8B10B:TYPE? might return :SEARCH:SEARCH1:TRIGger:A:BUS:USB:ERR8B10B:TYPE DISParity, indicating that the 8b10b trigger type for USB bus trigger search 1 is set to disparity. |

## SEARCH:SEARCH<x>:TRIGger:A:BUS:USB:ERRTYPE

This command sets or queries the error type for a USB bus search to determine where to place a mark. The search number is specified by x.

|                   |                                                                                                                                                                                                                                                                                                                                                                                                                                                                   |
|-------------------|-------------------------------------------------------------------------------------------------------------------------------------------------------------------------------------------------------------------------------------------------------------------------------------------------------------------------------------------------------------------------------------------------------------------------------------------------------------------|
| <b>Conditions</b> | Requires option 5-SRUSB2, SUP5-SRUSB2, or SRUSB3 Triggering and Analysis application.                                                                                                                                                                                                                                                                                                                                                                             |
| <b>Group</b>      | Search and Mark                                                                                                                                                                                                                                                                                                                                                                                                                                                   |
| <b>Syntax</b>     | SEARCH:SEARCH<x>:TRIGger:A:BUS:USB:ERRTYPE {BITSTUFFing CRC5 CRC16 CRCTYPes ERR8B10B PID}<br>SEARCH:SEARCH<x>:TRIGger:A:BUS:USB:ERRTYPE?                                                                                                                                                                                                                                                                                                                          |
| <b>Arguments</b>  | <p>BITSTUFFing specifies the error type as Bit Stuffing.</p> <p>CRC5 specifies the error type as Token CRC5 (Cyclic Redundancy Check 5).</p> <p>CRC16 specifies the error type as Data CRC16 (Cyclic Redundancy Check 16).</p> <p>CRCTYPes specifies the error type as USB3 CRC errors. Requires option SRUSB3.</p> <p>ERR8B10B specifies error type as 8b10b encoding errors. Requires option SRUSB3.</p> <p>PID specifies the error type as PID Check Bits.</p> |
| <b>Examples</b>   | <p>SEARCH:SEARCH1:TRIGGER:A:BUS:USB:ERRTYPE CRC5 sets the error type for USB bus trigger search 1 to Token CRC5.</p> <p>SEARCH:SEARCH1:TRIGGER:A:BUS:USB:ERRTYPE? might return<br/>SEARCH:SEARCH1:TRIGGER:A:BUS:USB:ERRTYPE PID, indicating that the error type for USB bus trigger search 1 is set to PID Check Bits.</p>                                                                                                                                        |

## SEARCH:SEARCH<x>:TRIGger:A:BUS:USB:HANDSHAKEType

This command sets or queries the handshake type for the specified USB bus trigger search to determine where to place a mark. The search number is specified by x.

|                   |                                                                              |
|-------------------|------------------------------------------------------------------------------|
| <b>Conditions</b> | Requires option 5-SRUSB2 or SUP5-SRUSB2 Triggering and Analysis application. |
| <b>Group</b>      | Search and Mark                                                              |

**Syntax** SEARCH:SEARCH<x>:TRIGger:A:BUS:USB:HANDSHAKETYPE  
 {ACK|ANY|NAK|NYET|STALL}  
 SEARCH:SEARCH<x>:TRIGger:A:BUS:USB:HANDSHAKETYPE?

**Arguments** ACK specifies the handshake type as Acknowledgement (positive) (XX10).  
 ANY specifies the handshake type as Any (0010).  
 NAK specifies the handshake type as Negative Acknowledgment (1010).  
 NYET specifies the handshake type as No response Yet (0110).  
 STALL specifies the handshake type as Stall (endpoint is halted or control pipe request not supported) (1110).

**Examples** SEARCH:SEARCH1:TRIGGER:A:BUS:USB:HANDSHAKETYPE NAK sets the handshake type for USB bus trigger search 1 to NAK.  
 SEARCH:SEARCH2:TRIGGER:A:BUS:USB:HANDSHAKETYPE? might return :SEARCH:SEARCH2:TRIGGER:A:BUS:USB:HANDSHAKETYPE NYET, indicating that the handshake type for USB bus trigger search 2 is set to NYET.

## SEARCH:SEARCH<x>:TRIGger:A:BUS:USB:KEYPADTYPE

This command sets or queries whether the keypad is toggled to KCode or Data. The search number is specified by x.

**Conditions** Requires option SRUSB3. The keypad must be launched from Custom Pattern Editor for USB.

**Group** Search and Mark

**Syntax** SEARCH:SEARCH<x>:TRIGger:A:BUS:USB:KEYPADTYPE {KCODE|DATA}  
 SEARCH:SEARCH<x>:TRIGger:A:BUS:USB:KEYPADTYPE?

**Arguments** KCODE sets the Symbol toggle to K-Code and Character keypad is loaded.  
 DATA sets the Symbol toggle to Data and hex keypad is loaded.

**Examples** SEARCH:SEARCH1:TRIGger:A:BUS:USB:KEYPADTYPE KODE sets the Symbol toggle to K-Code and Character keypad is loaded.  
 SEARCH:SEARCH1:TRIGger:A:BUS:USB:KEYPADTYPE? might return :SEARCH:SEARCH1:TRIGger:A:BUS:USB:KEYPADTYPE DATA, indicating that the Symbol toggle is Data and hex keypad is loaded.

**SEARCH:SEARCH<x>:TRIGger:A:BUS:USB:ORDERed:SET**

This command specifies the USB trigger type to be valid on ordered set condition. The search number is specified by x.

|                   |                                                                                                                                                                                                                                                                                                                                                                                                                                                                                                                                                                                 |
|-------------------|---------------------------------------------------------------------------------------------------------------------------------------------------------------------------------------------------------------------------------------------------------------------------------------------------------------------------------------------------------------------------------------------------------------------------------------------------------------------------------------------------------------------------------------------------------------------------------|
| <b>Conditions</b> | Requires option SRUSB3.                                                                                                                                                                                                                                                                                                                                                                                                                                                                                                                                                         |
| <b>Group</b>      | Search and Mark                                                                                                                                                                                                                                                                                                                                                                                                                                                                                                                                                                 |
| <b>Syntax</b>     | SEARCH:SEARCH<x>:TRIGger:A:BUS:USB:ORDERed:SET {TSEQ  TS1  TS2  SKP  DPPSTART  DPPEND  DPPABORT  LCSTART  HPSTART}<br>SEARCH:SEARCH<x>:TRIGger:A:BUS:USB:ORDERed:SET?                                                                                                                                                                                                                                                                                                                                                                                                           |
| <b>Arguments</b>  | TSEQ specifies the ordered set as training sequence TSEQ.<br>TS1 specifies the ordered set as training sequence TS1.<br>TS2 specifies the ordered set as training sequence TS2.<br>SKP specifies the ordered set as SKP.<br>DPPSTART specifies the ordered set as start of a data packet payload.<br>DPPEND specifies the ordered set as end of a data packet payload.<br>DPPABORT specifies the ordered set as abort a data packet payload.<br>LCSTART specifies the ordered set as start of a link command.<br>HPSTART specifies the ordered set as start of a header packet. |
| <b>Examples</b>   | SEARCH:SEARCH1:TRIGger:A:BUS:USB:ORDERed:SET DPPSTART sets the ordered set for USB bus trigger search 1 to DPPSTART.<br><br>SEARCH:SEARCH1:TRIGger:A:BUS:USB:ORDERed:SET? might return :SEARCH:SEARCH1:TRIGger:A:BUS:USB:ORDERed:SET TSEQ, indicating that the ordered set for USB bus trigger search 1 is set to TSEQ.                                                                                                                                                                                                                                                         |

**SEARCH:SEARCH<x>:TRIGger:A:BUS:USB:PACKet:TYPEOFLMP**

This command sets or queries the trigger condition for an USB bus on specific packet for LMP. The search number is specified by x.

|                   |                         |
|-------------------|-------------------------|
| <b>Conditions</b> | Requires option SRUSB3. |
| <b>Group</b>      | Search and Mark         |

**Syntax** SEARCH:SEARCH<x>:TRIGger:A:BUS:USB:PACKet:TYPEOFLMP  
 {PORTCAP| PORTCFG| PORTRSP| PRECTM| SETLF| U2IT| VDEVTEST|  
 ANY}  
 SEARCH:SEARCH<x>:TRIGger:A:BUS:USB:PACKet:TYPEOFLMP?

**Arguments** PORTCAP specifies the link management packet type as port capability.  
 PORTCFG specifies the link management packet type as port configuration.  
 PORTRSP specifies the link management packet type as port configuration response.  
 PRECTM specifies the link management packet type as precision time management. This option is enabled only for USB 3.1 Gen 1 and USB 3.2 Gen 1.  
 SETLF specifies the link management packet type as set link function.  
 U2IT specifies the link management packet type as U2 inactivity time-out.  
 VDEVTEST specifies the link management packet type as vendor device test.  
 ANY specifies any link management packet type.

**Examples** SEARCH:SEARCH1:TRIGger:A:BUS:USB:PACKet:TYPEOFLMP PORTCAP sets the transaction packet type as port capability.  
 SEARCH:SEARCH1:TRIGger:A:BUS:USB:PACKet:TYPEOFLMP? might return :SEARCH:SEARCH1:TRIGger:A:BUS:USB:PACKet:TYPEOFLMP SETLF, indicating that the transaction packet for USB bus trigger search 1 is set to set link function.

## SEARCH:SEARCH<x>:TRIGger:A:BUS:USB:PACKet:TYPEOFTP

This command sets or queries the trigger condition for an USB bus on specific packet for TP. The search number is specified by x.

**Conditions** Requires option SRUSB3.

**Group** Search and Mark

**Syntax** SEARCH:SEARCH<x>:TRIGger:A:BUS:USB:PACKet:TYPEOFTP {ACK|  
 DEVNOTif| ERDY| NRDY| PING| PINGRSP| STATUS| STAL1| ANY}  
 SEARCH:SEARCH<x>:TRIGger:A:BUS:USB:PACKet:TYPEOFTP?

**Arguments** ACK specifies the transaction packet type as ACK.  
 DEVNOTif specifies the transaction packet type as Dev Notification.

ERDY specifies the transaction packet type as ERDY.

NRDY specifies the transaction packet type as NRDY.

PING specifies the transaction packet type as PING.

PINGRSP specifies the transaction packet type as ping response.

STATUS specifies the transaction packet type as status.

STAL1 specifies the transaction packet type as status.

ANY specifies any transaction packet type.

**Examples** SEARCH:SEARCH1:TRIGger:A:BUS:USB:PACKet:TYPEOFTP ACK sets the transaction packet type as ACK.

SEARCH:SEARCH1:TRIGger:A:BUS:USB:PACKet:TYPEOFTP? might return :SEARCH:SEARCH1:TRIGger:A:BUS:USB:PACKet:TYPEOFTP DEVNOTIF, indicating that the transaction packet for USB bus trigger search 1 is set to dev notification.

## SEARCH:SEARCH<x>:TRIGger:A:BUS:USB:PACKETTYPE

This command sets or queries the trigger condition for an USB bus on specific packet. The search number is specified by x.

**Conditions** Requires option SRUSB3. Packet view must be On.

**Group** Search and Mark

**Syntax** SEARCH:SEARCH<x>:TRIGger:A:BUS:USB:PACKETTYPE {LMP| TP| DP| ITP| ANY}  
SEARCH:SEARCH<x>:TRIGger:A:BUS:USB:PACKETTYPE?

**Related Commands** [BUS:B<x>:USB:DISplaymode](#)

**Arguments** LMP specifies the packet type as link management packet.  
TP specifies the packet type as Transaction packet.  
DP specifies the packet type as Data Packet.  
ITP specifies the packet type as Isochronous timestamp packet.  
ANY specifies the packet type as any type of packets.

**Examples**     `SEARCH:SEARCH1:TRIGGER:A:BUS:USB:PACKETTYPE LMP` sets the packet type to LMP.

`SEARCH:SEARCH1:TRIGGER:A:BUS:USB:PACKETTYPE?` might return `:SEARCH:SEARCH1:TRIGGER:A:BUS:USB:PACKETTYPE TP`, indicating that the packet type for USB bus trigger search 1 is set to TP.

## **SEARCH:SEARCH<x>:TRIGGER:A:BUS:USB:SOFFRAMENUMBER**

This command sets or queries the frame number string to use for the Start of Frame for the specified USB bus trigger search to determine where to place a mark. The search number is specified by x. The search condition must be set to TOKEN.

**Conditions**     Requires option 5-SRUSB2 or SUP5-SRUSB2 Triggering and Analysis application.

**Group**         Search and Mark

**Syntax**        `SEARCH:SEARCH<x>:TRIGGER:A:BUS:USB:SOFFRAMENUMBER <QString>`  
`SEARCH:SEARCH<x>:TRIGGER:A:BUS:USB:SOFFRAMENUMBER?`

**Arguments**     `<QString>` specifies the frame number string for the Start of Frame in a valid format (binary, hexadecimal, or symbolic).

**Examples**     `SEARCH:SEARCH1:TRIGGER:A:BUS:USB:SOFFRAMENUMBER "1001"` sets the frame number string for the SOF for USB bus trigger search 1 to "1001" in symbolic format.

`SEARCH:SEARCH1:TRIGGER:A:BUS:USB:SOFFRAMENUMBER?` might return `SEARCH:SEARCH1:TRIGGER:A:BUS:USB:SOFFRAMENUMBER "xxxxxxx1001"`, indicating that the frame number string for the SOF for USB bus trigger search 1 is set to "XXXXXXXX1001" in binary format.

## **SEARCH:SEARCH<x>:TRIGGER:A:BUS:USB:SPECIALType**

This command sets or queries the USB search type for the specified USB bus trigger search to determine where to place a mark. The search number is specified by x.

**Conditions**     Requires option 5-SRUSB2 or SUP5-SRUSB2 Triggering and Analysis application.



|                  |                                                                                                                                                                                                                                                                                                                                    |
|------------------|------------------------------------------------------------------------------------------------------------------------------------------------------------------------------------------------------------------------------------------------------------------------------------------------------------------------------------|
| <b>Group</b>     | Search and Mark                                                                                                                                                                                                                                                                                                                    |
| <b>Syntax</b>    | SEARCH:SEARCH<x>:TRIGger:A:BUS:USB:SPECIALType<br>{ANY ERROR PING PREAmble RESERVED SPLit}<br>SEARCH:SEARCH<x>:TRIGger:A:BUS:USB:SPECIALType?                                                                                                                                                                                      |
| <b>Arguments</b> | <p>ANY specifies the PID value as Any (XX00).</p> <p>ERROR specifies the PID value as ERR (1100).</p> <p>PING specifies the PID value as PING (0100).</p> <p>PREAmble specifies the PID value as PRE (1100).</p> <p>RESERVED specifies the PID value as Reserved (0000).</p> <p>SPLit specifies the PID value as Split (1000).</p> |
| <b>Examples</b>  | <p>SEARCH:SEARCH1:TRIGGER:A:BUS:USB:SPECIALTYPE ERROR sets the PID value for USB bus trigger search 1 to ERROR.</p> <p>SEARCH:SEARCH1:TRIGGER:A:BUS:USB:SPECIALTYPE? might return SEARCH:SEARCH1:TRIGGER:A:BUS:USB:SPECIALTYPE SPLIT, indicating that the PID value for USB bus trigger search 1 is set to SPLIT.</p>              |

## SEARCH:SEARCH<x>:TRIGger:A:BUS:USB:SPLIT:ET:VALue

This command sets or queries the Endpoint Type value for the specified USB bus trigger search on split token field to determine where to place a mark. The search number is specified by x.

|                   |                                                                                                                                                                                              |
|-------------------|----------------------------------------------------------------------------------------------------------------------------------------------------------------------------------------------|
| <b>Conditions</b> | Requires option 5-SRUSB2 or SUP5-SRUSB2 Triggering and Analysis application.                                                                                                                 |
| <b>Group</b>      | Search and Mark                                                                                                                                                                              |
| <b>Syntax</b>     | SEARCH:SEARCH<x>:TRIGger:A:BUS:USB:SPLIT:ET:VALue<br>{BULK CONTROL NOCARE INTERRUPT ISOchronous}<br>SEARCH:SEARCH<x>:TRIGger:A:BUS:USB:SPLIT:ET:VALue?                                       |
| <b>Arguments</b>  | <p>BULK specifies the Endpoint Type value as Bulk (10).</p> <p>CONTROL specifies the Endpoint Type value as Control (00).</p> <p>NOCARE specifies the Endpoint Type value as Don't Care.</p> |

INTERRUPT specifies the Endpoint Type value as Interrupt (11).

ISOchronous specifies the Endpoint Type value as Isochronous (01).

**Examples** SEARCH:SEARCH1:TRIGGER:A:BUS:USB:SPLIT:ET:VALUE BULK sets the Endpoint Type value for USB bus trigger search 1 to Bulk.

SEARCH:SEARCH1:TRIGGER:A:BUS:USB:SPLIT:ET:VALUE? might return SEARCH:SEARCH1:TRIGGER:A:BUS:USB:SPLIT:ET:VALUE DONTCARE, indicating that the Endpoint Type value for USB bus trigger search 1 is set to DONTCare.

## SEARCH:SEARCH<x>:TRIGger:A:BUS:USB:SPLIT:HUB:VALue

This command sets or queries the binary hub address value to be used when searching on a USB bus signal. The search number is specified by x. The search condition must be set to Special with packet type SPLIT.

**Conditions** Requires option 5-SRUSB2 or SUP5-SRUSB2 Triggering and Analysis application.

**Group** Search and Mark

**Syntax** SEARCH:SEARCH<x>:TRIGger:A:BUS:USB:SPLIT:HUB:VALue <QString>  
SEARCH:SEARCH<x>:TRIGger:A:BUS:USB:SPLIT:HUB:VALue?

**Arguments** <QString> specifies the hub address. The valid characters are .

**Examples** SEARCH:SEARCH1:TRIGGER:A:BUS:USB:SPLIT:HUB:VALue "1001" sets the hub address to "XXX1001".

SEARCH:SEARCH1:TRIGGER:A:BUS:USB:SPLIT:HUB:VALue? might return SEARCH:SEARCH1:TRIGGER:A:BUS:USB:SPLIT:HUB:VALue "XX" (for binary format), indicating that the hub address for the USB bus trigger search on split token field is "XX".

## SEARCH:SEARCH<x>:TRIGger:A:BUS:USB:SPLIT:PORT:VALue

This command sets or queries the binary port address used when searching on a USB bus signal. The search number is specified by x. The search condition must be set to Special with a packet type SPLIT.

|                   |                                                                                                                                                                                                                                                                                                                                                                                |
|-------------------|--------------------------------------------------------------------------------------------------------------------------------------------------------------------------------------------------------------------------------------------------------------------------------------------------------------------------------------------------------------------------------|
| <b>Conditions</b> | Requires option 5-SRUSB2 or SUP5-SRUSB2 Triggering and Analysis application.                                                                                                                                                                                                                                                                                                   |
| <b>Group</b>      | Search and Mark                                                                                                                                                                                                                                                                                                                                                                |
| <b>Syntax</b>     | SEARCH:SEARCH<x>:TRIGger:A:BUS:USB:SPLIT:PORT:VALue<br><QString><br>SEARCH:SEARCH<x>:TRIGger:A:BUS:USB:SPLIT:PORT:VALue?                                                                                                                                                                                                                                                       |
| <b>Arguments</b>  | <QString> specifies the port address in the valid format. The valid characters are                                                                                                                                                                                                                                                                                             |
| <b>Examples</b>   | SEARCH:SEARCH1:TRIGGER:A:BUS:USB:SPLIT:PORT:VALUE "1111" sets the port address for USB bus trigger search 1 to "XXX1111" for binary format.<br><br>SEARCH:SEARCH1:TRIGGER:A:BUS:USB:SPLIT:PORT:VALUE? might return SEARCH:SEARCH1:TRIGGER:A:BUS:USB:SPLIT:PORT:VALUE "XX", indicating that the port address for USB hub trigger search 1 is set to "XX" in hexadecimal format. |

## SEARCH:SEARCH<x>:TRIGger:A:BUS:USB:SPLIT:SC:VALue

This command sets or queries the Start/Complete value for the specified USB bus trigger on split token field search to determine where to place a mark. The search number is specified by x.

|                   |                                                                                                                                                                                          |
|-------------------|------------------------------------------------------------------------------------------------------------------------------------------------------------------------------------------|
| <b>Conditions</b> | Requires option 5-SRUSB2 or SUP5-SRUSB2 Triggering and Analysis application.                                                                                                             |
| <b>Group</b>      | Search and Mark                                                                                                                                                                          |
| <b>Syntax</b>     | SEARCH:SEARCH<x>:TRIGger:A:BUS:USB:SPLIT:SC:VALue<br>{CSPLIT NOCARE SSPLIT}<br>SEARCH:SEARCH<x>:TRIGger:A:BUS:USB:SPLIT:SC:VALue?                                                        |
| <b>Arguments</b>  | CSPLIT specifies Complete (CSPLIT)(1) Start/Complete value.<br>NOCARE specifies the Start/Complete value as Don't Care (X).<br>SSPLIT specifies Start (SSPLIT) (0) Start/Complete value. |
| <b>Examples</b>   | SEARCH:SEARCH1:TRIGGER:A:BUS:USB:SPLIT:SC:VALUE DONTCARE sets the Start/Complete value for USB bus trigger search 1 to DONTCare.                                                         |

SEARCH:SEARCH2:TRIGGER:A:BUS:USB:SPLIT:SC:VALUE? might return  
:SEARCH:SEARCH2:TRIGGER:A:BUS:USB:SPLIT:SC:VALUE SSPLIT,  
indicating that the Start/Complete value for USB bus trigger search 2 is set to  
SSPLIT.

## SEARCH:SEARCH<x>:TRIGger:A:BUS:USB:SPLIT:SE:VALue

This command sets or queries the Start/End value for the specified USB bus trigger on split token field search to determine where to place a mark. The search number is specified by x.

|                   |                                                                                                                                                                                                                                                                                                                                                                                                                                                                                                                                                               |
|-------------------|---------------------------------------------------------------------------------------------------------------------------------------------------------------------------------------------------------------------------------------------------------------------------------------------------------------------------------------------------------------------------------------------------------------------------------------------------------------------------------------------------------------------------------------------------------------|
| <b>Conditions</b> | Requires option 5-SRUSB2 or SUP5-SRUSB2 Triggering and Analysis application.                                                                                                                                                                                                                                                                                                                                                                                                                                                                                  |
| <b>Group</b>      | Search and Mark                                                                                                                                                                                                                                                                                                                                                                                                                                                                                                                                               |
| <b>Syntax</b>     | SEARCH:SEARCH<x>:TRIGger:A:BUS:USB:SPLIT:SE:VALue<br>{NOCARE FULLSPEED ISOALL ISOEND ISOMID ISOSTART LOWSPEED}<br>SEARCH:SEARCH<x>:TRIGger:A:BUS:USB:SPLIT:SE:VALue?                                                                                                                                                                                                                                                                                                                                                                                          |
| <b>Arguments</b>  | NOCARE specifies Don't Care (X) Start/End bit value.<br><br>FULLSPEED specifies Control/Bulk/Interrupt Full Speed device (0X) Start/End bit value.<br><br>ISOALL specifies Isochronous Data is All (11) Start/End bit value.<br><br>ISOEND specifies Isochronous Data is End (01) Start/End bit value.<br><br>ISOMID specifies Isochronous Data is Middle (00) Start/End bit value.<br><br>ISOSTART specifies Isochronous Data is Start (10) Start/End bit value.<br><br>LOWSPEED specifies Control/Bulk/Interrupt Low Speed device (1X) Start/End bit value. |
| <b>Examples</b>   | SEARCH:SEARCH1:TRIGGER:A:BUS:USB:SPLIT:SE:VALUE ISOSTART sets the Start/End value for USB bus trigger on split token field search 1 to ISOSTART.<br><br>SEARCH:SEARCH1:TRIGGER:A:BUS:USB:SPLIT:SE:VALue? might return SEARCH:SEARCH1:TRIGGER:A:BUS:USB:SPLIT:SE:VALUE DONTCARE, indicating that the Start/End value for USB bus trigger on split token field search 1 is set to DONTCare.                                                                                                                                                                     |

## SEARCH:SEARCH<x>:TRIGger:A:BUS:USB:TOKENType

This command sets or queries the token type used to search a USB bus signal. The search number is specified by x.

|                   |                                                                                                                                                                                                                                                                                                             |
|-------------------|-------------------------------------------------------------------------------------------------------------------------------------------------------------------------------------------------------------------------------------------------------------------------------------------------------------|
| <b>Conditions</b> | Requires option 5-SRUSB2 or SUP5-SRUSB2 Triggering and Analysis application.                                                                                                                                                                                                                                |
| <b>Group</b>      | Search and Mark                                                                                                                                                                                                                                                                                             |
| <b>Syntax</b>     | SEARCH:SEARCH<x>:TRIGger:A:BUS:USB:TOKENType<br>{ANY IN OUT SETUP SOF}<br>SEARCH:SEARCH<x>:TRIGger:A:BUS:USB:TOKENType?                                                                                                                                                                                     |
| <b>Arguments</b>  | ANY specifies the token type as Any (XX01).<br>IN specifies the token type as IN (1001).<br>OUT specifies the token type as OUT (0001).<br>SETUP specifies the token type as SETUP (1101).<br>SOF specifies the token type as Start Of Frame (0101).                                                        |
| <b>Examples</b>   | SEARCH:SEARCH1:TRIGGER:A:BUS:USB:TOKENTYPE IN sets the token type for USB bus trigger search 1 to IN.<br><br>SEARCH:SEARCH1:TRIGGER:A:BUS:USB:TOKENTYPE? might return SEARCH:SEARCH1:TRIGGER:A:BUS:USB:TOKENTYPE SOF, indicating that the token type for USB bus trigger search 1 is set to Start Of Frame. |

## SEARCH:SEARCH<x>:TRIGger:A:DDRREAD:BURSTDETECTmethod

This command sets or queries the DDRRead search burst detection method.

|                   |                                                                                                                                                                         |
|-------------------|-------------------------------------------------------------------------------------------------------------------------------------------------------------------------|
| <b>Conditions</b> | Requires option 6-DBDDR3.<br><br>Requires a 6 Series MSO instrument.<br><br>Set the DDR Read standard (DDR3 or LPDDR3) before using this command. See Related Commands. |
| <b>Group</b>      | Search and Mark                                                                                                                                                         |

**Syntax** SEARCH:SEARCH<x>:TRIGger:A:DDRREAD:BURSTDETECTmethod  
{DQDQS|ChipSelect|LogicState}  
SEARCH:SEARCH<x>:TRIGger:A:DDRREAD:BURSTDETECTmethod?

**Related Commands** [SEARCH:SEARCH<x>:TRIGger:A:DDRREADWRITE:STANdard](#)

**Arguments** DQDQS sets the burst detection method to DQDQS.  
ChipSelect sets the burst detection method to ChipSelect.  
LogicState sets the burst detection method to LogicState.

**Examples** SEARCH:SEARCH1:TRIGger:A:DDRREAD:BURSTDETECTmethod DQDQS sets the burst detection method as DQ/DQS Phase alignment.  
SEARCH:SEARCH1:TRIGger:A:DDRREAD:BURSTDETECTmethod? might return SEARCH:SEARCH1:TRIGger:A:DDRREAD:BURSTDETECTmethod DQDQS indicating that the DDR read burst detection method is DQDQS.

## SEARCH:SEARCH<x>:TRIGger:A:DDRREAD:BURSTLatency

This command sets or queries the DDR read logic state burst latency value.

**Conditions** Requires option 6-DBDDR3.  
Requires a 6 Series MSO instrument.  
Set the DDR Read standard (DDR3 or LPDDR3) before using this command. See Related Commands.  
Set burst detection method as "Logic State".

**Group** Search and Mark

**Syntax** SEARCH:SEARCH<x>:TRIGger:A:DDRREAD:BURSTLatency <NR3>  
SEARCH:SEARCH<x>:TRIGger:A:DDRREAD:BURSTLatency?

**Related Commands** [SEARCH:SEARCH<x>:TRIGger:A:DDRREAD:BURSTDETECTmethod](#)

**Arguments** SEARCH<x> specifies the search number.  
<NR3> sets the logic state burst latency value.

- Examples** SEARCH:SEARCH1:TRIGger:A:DDRREAD:BURSTLatency 500E-3 sets the DDRREAD burst latency value of search 1 to .005.
- SEARCH:SEARCH3:TRIGger:A:DDRREAD:BURSTLatency? might return SEARCH:SEARCH3:TRIGger:A:DDRREAD:BURSTLatency 500E-3, indicating that the DDRREAD logic burst latency value is set to 500E-3 for search 3.

## SEARCH:SEARCH<x>:TRIGger:A:DDRREAD:BURSTLENGTH

This command sets or queries the DDR read logic state burst length value.

- Conditions** Requires option 6-DBDDR3.
- Requires a 6 Series MSO instrument.
- Set the DDR Read standard (DDR3 or LPDDR3) before using this command.  
See Related Commands.
- Set burst detection method as "Logic State".

**Group** Search and Mark

**Syntax** SEARCH:SEARCH<x>:TRIGger:A:DDRREAD:BURSTLENGTH <NR1>  
SEARCH:SEARCH<x>:TRIGger:A:DDRREAD:BURSTLENGTH?

**Related Commands** [SEARCH:SEARCH<x>:TRIGger:A:DDRREAD:BURSTDETECTmethod](#)

**Arguments** SEARCH<x> specifies the search number.

NR1 sets the logic state burst length value.

- Examples** SEARCH:SEARCH3:TRIGger:A:DDRREAD:BURSTLENGTH 10 sets the DDRREAD logic state burst length value of search 3 to 10 bursts.
- SEARCH:SEARCH1:TRIGger:A:DDRREAD:BURSTLENGTH? might return SEARCH:SEARCH1:TRIGger:A:DDRREAD:BURSTLENGTH 8, indicating that the DDRREAD logic state burst length value is set to 8 bursts for search 1.

## SEARCH:SEARCH<x>:TRIGger:A:DDRREAD:CSActive

This command sets or queries the DDR Read chip select active state.

**Conditions** Requires option 6-DBDDR3.

Requires a 6 Series MSO instrument.

Set the DDR Read standard (DDR3 or LPDDR3) before using this command.  
See Related Commands.

Set burst detection method as "Chip Select"

**Group** Search and Mark

**Syntax** SEARCH:SEARCH<x>:TRIGger:A:DDRREAD:CSActive {LOW|HIGH}  
SEARCH:SEARCH<x>:TRIGger:A:DDRREAD:CSActive?

**Related Commands** [SEARCH:SEARCH<x>:TRIGger:A:DDRREAD:BURSTDETECTmethod](#)

**Arguments** SEARCH<x> specifies the search number.  
LOW sets the DDR read chip select active state to low.  
HIGH sets the DDR read chip select active state to high.

**Examples** SEARCH:SEARCH2:TRIGger:A:DDRREAD:CSActive LOW sets the DDRREAD chip select active to LOW for search 2.  
SEARCH:SEARCH4:TRIGger:A:DDRREAD:CSActive? might return  
SEARCH:SEARCH4:TRIGger:A:DDRREAD:CSActive HIGH, indicating the DDRREAD chip select active value for search 4 is set to HIGH.

## SEARCH:SEARCH<x>:TRIGger:A:DDRREAD:CSLevel

This command sets or queries the DDR Read chip select level value.

**Conditions** Requires option 6-DBDDR3.

Requires a 6 Series MSO instrument.

Set the DDR Read standard (DDR3 or LPDDR3) before using this command.  
See Related Commands.

Set burst detection method as "Chip Select"

**Group** Search and Mark

**Syntax** SEARCH:SEARCH<x>:TRIGger:A:DDRREAD:CSLevel <NR3>  
SEARCH:SEARCH<x>:TRIGger:A:DDRREAD:CSLevel?



|                         |                                                                                                                                                                                                                                                                                                          |
|-------------------------|----------------------------------------------------------------------------------------------------------------------------------------------------------------------------------------------------------------------------------------------------------------------------------------------------------|
| <b>Related Commands</b> | <a href="#">SEARCH:SEARCH&lt;x&gt;:TRIGger:A:DDRREAD:BURSTDETECTmethod</a><br><a href="#">SEARCH:SEARCH&lt;x&gt;:TRIGger:A:DDRREAD:CSMode</a>                                                                                                                                                            |
| <b>Arguments</b>        | <p>SEARCH&lt;x&gt; specifies the search number.</p> <p>&lt;NR3&gt; sets the DDR read chip select level value.</p>                                                                                                                                                                                        |
| <b>Examples</b>         | <p>SEARCH:SEARCH2:TRIGger:A:DDRREAD:CSLevel 2.8E-3 sets the DDRREAD chip select level value to 2.8E-3</p> <p>SEARCH:SEARCH5:TRIGger:A:DDRREAD:CSLevel? might return SEARCH:SEARCH5:TRIGger:A:DDRREAD:CSLevel 2.8E-3, indicating DDRREAD search chip select level value for search 5 is set to 2.8E-3</p> |

## SEARCH:SEARCH<x>:TRIGger:A:DDRREAD:CSMode

This command sets or queries the DDR Read chip select mode.

|                         |                                                                                                                                                                                                                                                   |
|-------------------------|---------------------------------------------------------------------------------------------------------------------------------------------------------------------------------------------------------------------------------------------------|
| <b>Conditions</b>       | <p>Requires option 6-DBDDR3.</p> <p>Requires a 6 Series MSO instrument.</p> <p>Set the DDR Read standard (DDR3 or LPDDR3) before using this command. See Related Commands.</p> <p>Set burst detection method as "Chip Select"</p>                 |
| <b>Group</b>            | Search and Mark                                                                                                                                                                                                                                   |
| <b>Syntax</b>           | <p>SEARCH:SEARCH&lt;x&gt;:TRIGger:A:DDRREAD:CSMode {Auto Manual}</p> <p>SEARCH:SEARCH&lt;x&gt;:TRIGger:A:DDRREAD:CSMode?</p>                                                                                                                      |
| <b>Related Commands</b> | <a href="#">SEARCH:SEARCH&lt;x&gt;:TRIGger:A:DDRREAD:BURSTDETECTmethod</a>                                                                                                                                                                        |
| <b>Arguments</b>        | <p>SEARCH&lt;x&gt; specifies the search number.</p> <p>Auto sets the DDR read chip select mode to auto.</p> <p>Manual sets the DDR read chip select mode to manual. Use the Related Commands to set the Reference levels when in Manual mode.</p> |
| <b>Examples</b>         | <p>SEARCH:SEARCH2:TRIGger:A:DDRREAD:CSMode MANUAL sets the DDRREAD search chip select mode to Manual for search 2.</p>                                                                                                                            |

SEARCH:SEARCH3:TRIGger:A:DDRREAD:CSMode? might return  
SEARCH:SEARCH3:TRIGger:A:DDRREAD:CSMode Manual, indicating that the  
DDRREAD search 3 chip select mode is set to manual.

## SEARCH:SEARCH<x>:TRIGger:A:DDRREAD:CSSource

This command sets or queries the DDR Read search chip select source.

|                         |                                                                                                                                                                                                                                                                                                                                                                                                                                                                                                                                                                                                                                            |
|-------------------------|--------------------------------------------------------------------------------------------------------------------------------------------------------------------------------------------------------------------------------------------------------------------------------------------------------------------------------------------------------------------------------------------------------------------------------------------------------------------------------------------------------------------------------------------------------------------------------------------------------------------------------------------|
| <b>Conditions</b>       | Requires option 6-DBDDR3.<br>Requires a 6 Series MSO instrument.<br>Set the DDR Read standard (DDR3 or LPDDR3) before using this command.<br>See Related Commands.<br>Set burst detection method as "Chip Select".                                                                                                                                                                                                                                                                                                                                                                                                                         |
| <b>Group</b>            | Search and Mark                                                                                                                                                                                                                                                                                                                                                                                                                                                                                                                                                                                                                            |
| <b>Syntax</b>           | SEARCH:SEARCH<x>:TRIGger:A:DDRREAD:CSSource<br>{CH<x> CH<x>_D<x> MATH<x> REF<x> REF<x>_D<x>}<br>SEARCH:SEARCH<x>:TRIGger:A:DDRREAD:CSSource?                                                                                                                                                                                                                                                                                                                                                                                                                                                                                               |
| <b>Related Commands</b> | <a href="#">SEARCH:SEARCH&lt;x&gt;:TRIGger:A:DDRREAD:BURSTDETECTmethod</a>                                                                                                                                                                                                                                                                                                                                                                                                                                                                                                                                                                 |
| <b>Arguments</b>        | SEARCH<x> specifies the search number.<br><br>CH<x> specifies channel <x> as the DDR read chip select source for the specified search <x>.<br><br>CH<x>_D<x> specifies digital waveform <x> of channel <x> as the DDR read strobe source for the specified search <x>.<br><br>MATH<x> specifies math waveform <x> as the DDR read chip select source for the specified search <x>.<br><br>REF<x> specifies reference waveform <x> as the DDR read chip select source for the specified search <x>.<br><br>REF<x>_D<x> specifies digital waveform <x> of reference waveform <x> as the DDR read strobe source for the specified search <x>. |
| <b>Examples</b>         | SEARCH:SEARCH5:TRIGger:A:DDRREAD:CSSource CH2 sets the search 5 chip select source waveform to CH2 for DDR Read search.                                                                                                                                                                                                                                                                                                                                                                                                                                                                                                                    |

SEARCH:SEARCH3:TRIGger:A:DDRREAD:CSSource? might return  
SEARCH:SEARCH3:TRIGger:A:DDRREAD:CSSource CH2, indicating that  
Channel 2 waveform is the source for the DDRRead chip select source of search 3.

## SEARCH:SEARCH<x>:TRIGger:A:DDRREAD:DATARate

This command sets or queries the DDR read search data rate for DDR3 and LPDDR3 standards of the specified search.

The DDR3 standard supports the following data rates:  
800|1066|1333|1600|1866|2133.

The LPDDR3 standard supports the following data rates:  
333|800|1066|1200|1333|1466|1600|1866|2133.

**Conditions** Requires option 6-DBDDR3.  
Requires a 6 Series MSO instrument.  
Set the DDR Read standard (DDR3 or LPDDR3) before using this command.  
See Related Commands.

**Group** Search and Mark

**Syntax** SEARCH:SEARCH<x>:TRIGger:A:DDRREAD:DATARate  
{333|800|1066|1200|1333|1466|1600|1866|2133}  
SEARCH:SEARCH<x>:TRIGger:A:DDRREAD:DATARate?

**Related Commands** [SEARCH:SEARCH<x>:TRIGger:A:DDRREAD:STANdard](#)

**Arguments** 333 sets the data rate to 333.  
800 sets the data rate to 800.  
1066 sets the data rate to 1066.  
1200 sets the data rate to 1200.  
1333 sets the data rate to 1333.  
1466 sets the data rate to 1466.  
1600 sets the data rate to 1600.  
1866 sets the data rate to 1866.  
2133 sets the data rate to 2133.

**Examples**     `SEARCH:SEARCH2:TRIGGER:A:DDRREAD:DATARate 1333` sets the data rate to 1333 for DDR read Search 2.

`SEARCH:SEARCH1:TRIGGER:A:DDRREAD:DATARate?` might return  
`SEARCH:SEARCH1:TRIGGER:A:DDRREAD:DATARate 800` indicating that the data rate for DDR read Search 1 is 800.

## SEARCH:SEARCH<x>:TRIGGER:A:DDRREAD:DATASource

This command sets or queries the DDR read data source when the search type is DDR READ.

**Conditions**     Requires option 6-DBDDR3

                     Requires 6 Series MSO instrument

                     Load a reference waveform on the instrument before using this command to set the search data source to a reference waveform.

**Group**            Search and Mark

**Syntax**            `SEARCH:SEARCH<x>:TRIGGER:A:DDRREAD:DATASource`  
                     `{CH<x>|CH<x>_D<x>|MATH<x>|REF<x>|REF<x>_D<x>}`  
                     `SEARCH:SEARCH<x>:TRIGGER:A:DDRREAD:DATASource?`

**Arguments**        `CH<x>` specifies channel <x> as the DDR read data source for the specified search <x>.

`CH<x>_D<x>` specifies digital waveform <x> of channel <x> as the DDR read data source for the specified search <x>.

`MATH<x>` specifies math waveform <x> as the DDR read data source for the specified search <x>.

`REF<x>` specifies reference waveform <x> as the DDR read data source for the specified search <x>.

`REF<x>_D<x>` specifies digital waveform <x> of reference waveform <x> as the DDR read data source for the specified search <x>.

**Examples**         `SEARCH:SEARCH1:TRIGGER:A:DDRREAD:DATASource CH2` sets the source waveform for the A trigger to Channel 2.

`SEARCH:SEARCH1:TRIGGER:A:DDRREAD:DATASource?` might return  
`SEARCH:SEARCH1:TRIGGER:A:DDRREAD:DATASource REF1`, indicating that the Reference waveform 1 DDR read trigger data is the source for search 1.

## SEARCH:SEARCH<x>:TRIGger:A:DDRREAD:HYSteresis

This command sets or queries the DDR read hysteresis reference level value, when the search type is DDR READ.

|                         |                                                                                                                                                                                                                                                                                              |
|-------------------------|----------------------------------------------------------------------------------------------------------------------------------------------------------------------------------------------------------------------------------------------------------------------------------------------|
| <b>Conditions</b>       | <p>Requires option 6-DBDDR3.</p> <p>Requires a 6 Series MSO instrument.</p> <p>Set the DDR read reference level mode to Manual before using this command. See Related Commands.</p>                                                                                                          |
| <b>Group</b>            | Search and Mark                                                                                                                                                                                                                                                                              |
| <b>Syntax</b>           | <pre>SEARCH:SEARCH&lt;x&gt;:TRIGger:A:DDRREAD:HYSteresis &lt;NR3&gt; SEARCH:SEARCH&lt;x&gt;:TRIGger:A:DDRREAD:HYSteresis?</pre>                                                                                                                                                              |
| <b>Related Commands</b> | <a href="#">SEARCH:SEARCH&lt;x&gt;:TRIGger:A:DDRREAD:REFLEVELMode</a>                                                                                                                                                                                                                        |
| <b>Arguments</b>        | <NR3> sets the DDR read search hysteresis percent value in the range of 0% to 50%.                                                                                                                                                                                                           |
| <b>Examples</b>         | <p>SEARCH:SEARCH2:TRIGger:A:DDRREAD:HYSteresis 15 sets the DDR read search hysteresis value to 15%.</p> <p>SEARCH:SEARCH1:TRIGger:A:DDRREAD:HYSteresis? might return SEARCH:SEARCH1:TRIGger:A:DDRREAD:HYSteresis 10, indicating that the DDR read search hysteresis value is set to 10%.</p> |

## SEARCH:SEARCH<x>:TRIGger:A:DDRREAD:LOGIC1SOUrce:SYMBol

This command sets or queries the DDR read logic source 1 symbol.

|                   |                                                                                                                                                                                                                                    |
|-------------------|------------------------------------------------------------------------------------------------------------------------------------------------------------------------------------------------------------------------------------|
| <b>Conditions</b> | <p>Requires option 6-DBDDR3.</p> <p>Requires a 6 Series MSO instrument.</p> <p>Set the DDR Read standard (DDR3 or LPDDR3) before using this command. See Related Commands.</p> <p>Set burst detection method as "Logic State".</p> |
| <b>Group</b>      | Search and Mark                                                                                                                                                                                                                    |

**Syntax** SEARCH:SEARCH<x>:TRIGger:A:DDRREAD:LOGIC1SOURCE:SYMBOL  
{H|L|X}  
SEARCH:SEARCH<x>:TRIGger:A:DDRREAD:LOGIC1SOURCE:SYMBOL?

**Related Commands** [SEARCH:SEARCH<x>:TRIGger:A:DDRREAD:BURSTDETECTmethod](#)

**Arguments** SEARCH<x> specifies the search number.  
H sets the logic source 1 symbol to H (High).  
L sets the logic source 1 symbol to L (Low).  
X sets the logic source 1 symbol to X (Don't care).

**Examples** SEARCH:SEARCH3:TRIGger:A:DDRREAD:LOGIC1SOURCE:SYMBOL X sets the DDRREAD logic source 1 symbol of search 3 to X (don't care).  
SEARCH:SEARCH1:TRIGger:A:DDRREAD:LOGIC1SOURCE:SYMBOL? might return SEARCH:SEARCH1:TRIGger:A:DDRREAD:LOGIC1SOURCE:SYMBOL L, indicating that the DDRREAD logic source 1 symbol is set to Low for search 1.

## SEARCH:SEARCH<x>:TRIGger:A:DDRREAD:LOGIC2SOURCE:SYMBOL

This command sets or queries the DDR read logic source 2 symbol.

**Conditions** Requires option 6-DBDDR3.  
Requires a 6 Series MSO instrument.  
Set the DDR Read standard (DDR3 or LPDDR3) before using this command.  
See Related Commands.  
Set burst detection method as "Logic State".

**Group** Search and Mark

**Syntax** SEARCH:SEARCH<x>:TRIGger:A:DDRREAD:LOGIC2SOURCE:SYMBOL  
{H|L|X}  
SEARCH:SEARCH<x>:TRIGger:A:DDRREAD:LOGIC2SOURCE:SYMBOL?

**Related Commands** [SEARCH:SEARCH<x>:TRIGger:A:DDRREAD:BURSTDETECTmethod](#)

|                  |                                                                                                                                                                                                                                                                                                                                             |
|------------------|---------------------------------------------------------------------------------------------------------------------------------------------------------------------------------------------------------------------------------------------------------------------------------------------------------------------------------------------|
| <b>Arguments</b> | SEARCH<x> specifies the search number.<br>H sets the logic source 2 symbol to H (High).<br>L sets the logic source 2 symbol to L (Low).<br>X sets the logic source 2 symbol to X (Don't care).                                                                                                                                              |
| <b>Examples</b>  | SEARCH:SEARCH3:TRIGger:A:DDRREAD:LOGIC2SOURCE:SYMBOL X sets the DDRREAD logic source 2 symbol of search 3 to X (don't care)<br><br>SEARCH:SEARCH1:TRIGger:A:DDRREAD:LOGIC2SOURCE:SYMBOL? might return SEARCH:SEARCH1:TRIGger:A:DDRREAD:LOGIC2SOURCE:SYMBOL L, indicating that the DDRREAD logic source 2 symbol is set to Low for search 1. |

## SEARCH:SEARCH<x>:TRIGger:A:DDRREAD:LOGIC3SOURCE:SYMBOL

This command sets or queries the DDR read logic source 3 symbol.

|                         |                                                                                                                                                                                                                    |
|-------------------------|--------------------------------------------------------------------------------------------------------------------------------------------------------------------------------------------------------------------|
| <b>Conditions</b>       | Requires option 6-DBDDR3.<br>Requires a 6 Series MSO instrument.<br>Set the DDR Read standard (DDR3 or LPDDR3) before using this command.<br>See Related Commands.<br>Set burst detection method as "Logic State". |
| <b>Group</b>            | Search and Mark                                                                                                                                                                                                    |
| <b>Syntax</b>           | SEARCH:SEARCH<x>:TRIGger:A:DDRREAD:LOGIC3SOURCE:SYMBOL {H L X}<br>SEARCH:SEARCH<x>:TRIGger:A:DDRREAD:LOGIC3SOURCE:SYMBOL?                                                                                          |
| <b>Related Commands</b> | <a href="#">SEARCH:SEARCH&lt;x&gt;:TRIGger:A:DDRREAD:BURSTDETECTmethod</a>                                                                                                                                         |

|                  |                                                                                                                                                                                                |
|------------------|------------------------------------------------------------------------------------------------------------------------------------------------------------------------------------------------|
| <b>Arguments</b> | SEARCH<x> specifies the search number.<br>H sets the logic source 3 symbol to H (High).<br>L sets the logic source 3 symbol to L (Low).<br>X sets the logic source 3 symbol to X (Don't care). |
| <b>Examples</b>  | SEARCH:SEARCH3:TRIGger:A:DDRREAD:LOGIC3SOURCE:SYMBOL X sets the DDRREAD logic source 3 symbol of search 3 to X (don't care)                                                                    |

SEARCH:SEARCH1:TRIGger:A:DDRREAD:LOGIC3SOURCE:SYMBOL? might return SEARCH:SEARCH1:TRIGger:A:DDRREAD:LOGIC3SOURCE:SYMBOL L, indicating that the DDRREAD logic source 3 symbol is set to Low for search 1.

## SEARCH:SEARCH<x>:TRIGger:A:DDRREAD:LOGIC4SOURCE:SYMBOL

This command sets or queries the DDR read logic source 4 symbol.

|                         |                                                                                                                                                                                                                                                                                                                                         |
|-------------------------|-----------------------------------------------------------------------------------------------------------------------------------------------------------------------------------------------------------------------------------------------------------------------------------------------------------------------------------------|
| <b>Conditions</b>       | Requires option 6-DBDDR3.<br>Requires a 6 Series MSO instrument.<br>Set the DDR Read standard (DDR3 or LPDDR3) before using this command.<br>See Related Commands.<br>Set burst detection method as "Logic State".                                                                                                                      |
| <b>Group</b>            | Search and Mark                                                                                                                                                                                                                                                                                                                         |
| <b>Syntax</b>           | SEARCH:SEARCH<x>:TRIGger:A:DDRREAD:LOGIC4SOURCE:SYMBOL<br>{H L X}<br>SEARCH:SEARCH<x>:TRIGger:A:DDRREAD:LOGIC4SOURCE:SYMBOL?                                                                                                                                                                                                            |
| <b>Related Commands</b> | <a href="#">SEARCH:SEARCH&lt;x&gt;:TRIGger:A:DDRREAD:BURSTDETECTmethod</a>                                                                                                                                                                                                                                                              |
| <b>Arguments</b>        | SEARCH<x> specifies the search number.<br>H sets the logic source 4 symbol to H (High).<br>L sets the logic source 4 symbol to L (Low).<br>X sets the logic source 4 symbol to X (Don't care).                                                                                                                                          |
| <b>Examples</b>         | SEARCH:SEARCH3:TRIGger:A:DDRREAD:LOGIC4SOURCE:SYMBOL X sets the DDRREAD logic source 4 symbol of search 3 to X (don't care)<br>SEARCH:SEARCH1:TRIGger:A:DDRREAD:LOGIC4SOURCE:SYMBOL? might return SEARCH:SEARCH1:TRIGger:A:DDRREAD:LOGIC4SOURCE:SYMBOL L, indicating that the DDRREAD logic source 4 symbol is set to Low for search 1. |

## SEARCH:SEARCH<x>:TRIGger:A:DDRREAD:MARGIN

This command sets or queries the DDR read margin reference level value, when the search type is DDR READ.



|                         |                                                                                                                                                                                                                                                                              |
|-------------------------|------------------------------------------------------------------------------------------------------------------------------------------------------------------------------------------------------------------------------------------------------------------------------|
| <b>Conditions</b>       | <p>Requires option 6-DBDDR3.</p> <p>Requires a 6 Series MSO instrument.</p> <p>Set the DDR read reference level mode to Manual before using this command.<br/>See Related Commands.</p>                                                                                      |
| <b>Group</b>            | Search and Mark                                                                                                                                                                                                                                                              |
| <b>Syntax</b>           | <pre>SEARCH:SEARCH&lt;x&gt;:TRIGger:A:DDRREAD:MARgin &lt;NR3&gt; SEARCH:SEARCH&lt;x&gt;:TRIGger:A:DDRREAD:MARgin?</pre>                                                                                                                                                      |
| <b>Related Commands</b> | <a href="#">SEARCH:SEARCH&lt;x&gt;:TRIGger:A:DDRREAD:REFLEVELMode</a>                                                                                                                                                                                                        |
| <b>Arguments</b>        | <NR3> sets the DDR read search margin percent value in the range of 0% to 100%.                                                                                                                                                                                              |
| <b>Examples</b>         | <p>SEARCH:SEARCH2:TRIGger:A:DDRREAD:MARgin 12 sets the DDR read search margin value to 12%.</p> <p>SEARCH:SEARCH1:TRIGger:A:DDRREAD:MARgin? might return<br/>SEARCH:SEARCH1:TRIGger:A:DDRREAD:MARgin 10, indicating that the DDR read search margin value is set to 10%.</p> |

## SEARCH:SEARCH<x>:TRIGger:A:DDRREAD:MAXCAS

This command sets or queries the DDR read chip maximum Column Access Strobe (CAS) value.

|                         |                                                                                                                                                                                                                                       |
|-------------------------|---------------------------------------------------------------------------------------------------------------------------------------------------------------------------------------------------------------------------------------|
| <b>Conditions</b>       | <p>Requires option 6-DBDDR3.</p> <p>Requires a 6 Series MSO instrument.</p> <p>Set the DDR Read standard (DDR3 or LPDDR3) before using this command.<br/>See Related Commands.</p> <p>Set burst detection method as "Chip Select"</p> |
| <b>Group</b>            | Search and Mark                                                                                                                                                                                                                       |
| <b>Syntax</b>           | <pre>SEARCH:SEARCH&lt;x&gt;:TRIGger:A:DDRREAD:MAXCAS &lt;NR3&gt; SEARCH:SEARCH&lt;x&gt;:TRIGger:A:DDRREAD:MAXCAS?</pre>                                                                                                               |
| <b>Related Commands</b> | <a href="#">SEARCH:SEARCH&lt;x&gt;:TRIGger:A:DDRREAD:BURSTDETECTmethod</a>                                                                                                                                                            |

|                  |                                                                                                                                                                                                                                                                                                                                                     |
|------------------|-----------------------------------------------------------------------------------------------------------------------------------------------------------------------------------------------------------------------------------------------------------------------------------------------------------------------------------------------------|
| <b>Arguments</b> | SEARCH<x> specifies the search number.<br><br><NR3> sets the DDR read chip select CAS maximum value.                                                                                                                                                                                                                                                |
| <b>Examples</b>  | EARCH:SEARCH1:TRIGger:A:DDRREAD:MAXCas 3.8E-3 sets the DDR read chip select CAS maximum value to 3.8 milliseconds for search 1.<br><br>SEARCH:SEARCH7:TRIGger:A:DDRREAD:MAXCas? might return<br>SEARCH:SEARCH7:TRIGger:A:DDRREAD:MAXCas 3.8E-3, indicating that the DDR read chip select CAS maximum value is set to 3.8 milliseconds for search 7. |

## SEARCH:SEARCH<x>:TRIGger:A:DDRREAD:MINCas

This command sets or queries the DDR read chip minimum Column Access Strobe (CAS) value.

|                         |                                                                                                                                                                                                                                                                                                                                                     |
|-------------------------|-----------------------------------------------------------------------------------------------------------------------------------------------------------------------------------------------------------------------------------------------------------------------------------------------------------------------------------------------------|
| <b>Conditions</b>       | Requires option 6-DBDDR3.<br><br>Requires a 6 Series MSO instrument.<br><br>Set the DDR Read standard (DDR3 or LPDDR3) before using this command.<br>See Related Commands.<br><br>Set burst detection method as "Chip Select"                                                                                                                       |
| <b>Group</b>            | Search and Mark                                                                                                                                                                                                                                                                                                                                     |
| <b>Syntax</b>           | SEARCH:SEARCH<x>:TRIGger:A:DDRREAD:MINCas <NR3><br>SEARCH:SEARCH<x>:TRIGger:A:DDRREAD:MINCas?                                                                                                                                                                                                                                                       |
| <b>Related Commands</b> | <a href="#">SEARCH:SEARCH&lt;x&gt;:TRIGger:A:DDRREAD:BURSTDETECTmethod</a>                                                                                                                                                                                                                                                                          |
| <b>Arguments</b>        | SEARCH<x> specifies the search number.<br><br><NR3> sets the DDR read chip select CAS minimum value.                                                                                                                                                                                                                                                |
| <b>Examples</b>         | EARCH:SEARCH1:TRIGger:A:DDRREAD:MINCas 3.8E-3 sets the DDR read chip select CAS minimum value to 3.8 milliseconds for search 1.<br><br>SEARCH:SEARCH7:TRIGger:A:DDRREAD:MINCas? might return<br>SEARCH:SEARCH7:TRIGger:A:DDRREAD:MINCas 3.8E-3, indicating that the DDR read chip select CAS minimum value is set to 3.8 milliseconds for search 7. |

**SEARCH:SEARCH<x>:TRIGger:A:DDRREAD:POSTAMBLE:LENGth**

This command sets or queries the DDR read postamble length when the search type is DDR READ.

|                   |                                                                                                                                                                                                                                                                                                                               |
|-------------------|-------------------------------------------------------------------------------------------------------------------------------------------------------------------------------------------------------------------------------------------------------------------------------------------------------------------------------|
| <b>Conditions</b> | Requires option 6-DBDDR3.<br>Requires a 6 Series MSO instrument.                                                                                                                                                                                                                                                              |
| <b>Group</b>      | Search and Mark                                                                                                                                                                                                                                                                                                               |
| <b>Syntax</b>     | SEARCH:SEARCH<x>:TRIGger:A:DDRREAD:POSTAMBLE:LENGth<br>{500E-3 500E-1.5 500E-1}<br>SEARCH:SEARCH<x>:TRIGger:A:DDRREAD:POSTAMBLE:LENGth?                                                                                                                                                                                       |
| <b>Arguments</b>  | 500E-1.5 sets the postamble length to 1.5 tCK (number of clock cycles).<br>500E-1 sets the postamble length to 1 tCK (number of clock cycles).<br>500E-3 sets the postamble length to 0.5 tCK (number of clock cycles).                                                                                                       |
| <b>Examples</b>   | SEARCH:SEARCH2:TRIGger:A:DDRREAD:POSTAMBLE:LENGth 500E-3 sets the DDR read postamble length for Search 2 to 0.5 tCK.<br><br>SEARCH:SEARCH1:TRIGger:A:DDRREAD:POSTAMBLE:LENGth? might return SEARCH:SEARCH1:TRIGger:A:DDRREAD:POSTAMBLE:LENGth 500E-1, indicating that the read postamble length for Search 1 is set to 1 tCK. |

**SEARCH:SEARCH<x>:TRIGger:A:DDRREAD:PREAMBLE:TYPE**

This command sets or queries the DDR read preamble type when the search type is DDR READ.

|                   |                                                                                                                           |
|-------------------|---------------------------------------------------------------------------------------------------------------------------|
| <b>Conditions</b> | Requires option 6-DBDDR3.<br>Requires a 6 Series MSO instrument.                                                          |
| <b>Group</b>      | Search and Mark                                                                                                           |
| <b>Syntax</b>     | SEARCH:SEARCH<x>:TRIGger:A:DDRREAD:PREAMBLE:TYPE<br>{STATIC DYNAMIC}<br>SEARCH:SEARCH<x>:TRIGger:A:DDRREAD:PREAMBLE:TYPE? |

**Arguments**     `STATIC` sets the DDR Read preamble type to Static.  
`DYNAMIC` sets the DDR Read preamble type to Dynamic.

**Examples**     `SEARCH:SEARCH2:TRIGger:A:DDRREAD:PREAMBLE:TYPE STATIC` sets the DDR read preamble type to Static for Search 2.  
`SEARCH:SEARCH4:TRIGger:A:DDRREAD:PREAMBLE:TYPE?` might return `SEARCH:SEARCH4:TRIGger:A:DDRREAD:PREAMBLE:TYPE DYNAMIC`, indicating that the DDR read preamble type for Search 4 is set to dynamic mode.

## **SEARCH:SEARCH<x>:TRIGger:A:DDRREAD:REFLevel:DATA:HIGH**

This command sets or queries the DDR read data high reference level value, when the search type is DDR READ.

**Conditions**     Requires option 6-DBDDR3.  
Requires a 6 Series MSO instrument.  
Set the DDR read reference level mode to Manual before using this command.  
See Related Commands.

**Group**     Search and Mark

**Syntax**     `SEARCH:SEARCH<x>:TRIGger:A:DDRREAD:REFLevel:DATA:HIGH <NR3>`  
`SEARCH:SEARCH<x>:TRIGger:A:DDRREAD:REFLevel:DATA:HIGH?`

**Related Commands**     [SEARCH:SEARCH<x>:TRIGger:A:DDRREAD:REFLEVELMode](#)

**Arguments**     `<NR3>` sets the DDR read search data high reference value.

**Examples**     `SEARCH:SEARCH2:TRIGger:A:DDRREAD:REFLevel:DATA:HIGH 3.8E-3` sets the DDR read search data high reference value.  
`SEARCH:SEARCH1:TRIGger:A:DDRREAD:REFLevel:DATA:HIGH?` might return `SEARCH:SEARCH1:TRIGger:A:DDRREAD:REFLevel:DATA:HIGH 50E-3`, indicating that the DDR read search data high reference value is set to 50E-3.

## SEARCH:SEARCH<x>:TRIGger:A:DDRREAD:REFLevel:DATA:LOW

This command sets or queries the DDR read data low reference level value, when the search type is DDR READ.

|                         |                                                                                                                                                                                                                                                                                                                              |
|-------------------------|------------------------------------------------------------------------------------------------------------------------------------------------------------------------------------------------------------------------------------------------------------------------------------------------------------------------------|
| <b>Conditions</b>       | Requires option 6-DBDDR3.<br><br>Requires a 6 Series MSO instrument.<br><br>Set the DDR read reference level mode to Manual before using this command. See Related Commands.                                                                                                                                                 |
| <b>Group</b>            | Search and Mark                                                                                                                                                                                                                                                                                                              |
| <b>Syntax</b>           | SEARCH:SEARCH<x>:TRIGger:A:DDRREAD:REFLevel:DATA:LOW <NR3><br>SEARCH:SEARCH<x>:TRIGger:A:DDRREAD:REFLevel:DATA:LOW?                                                                                                                                                                                                          |
| <b>Related Commands</b> | <a href="#">SEARCH:SEARCH&lt;x&gt;:TRIGger:A:DDRREAD:REFLEVELMode</a>                                                                                                                                                                                                                                                        |
| <b>Arguments</b>        | <NR3> sets the DDR read search data low reference value.                                                                                                                                                                                                                                                                     |
| <b>Examples</b>         | SEARCH:SEARCH2:TRIGger:A:DDRREAD:REFLevel:DATA:LOW 3.8E-3 sets the DDR read search data low reference value.<br><br>SEARCH:SEARCH1:TRIGger:A:DDRREAD:REFLevel:DATA:LOW? might return SEARCH:SEARCH1:TRIGger:A:DDRREAD:REFLevel:DATA:LOW 50E-3, indicating that the DDR read search data low reference value is set to 50E-3. |

## SEARCH:SEARCH<x>:TRIGger:A:DDRREAD:REFLevel:DATA:MID

This command sets or queries the DDR read data mid reference level value, when the search type is DDR READ.

|                   |                                                                                                                                                                              |
|-------------------|------------------------------------------------------------------------------------------------------------------------------------------------------------------------------|
| <b>Conditions</b> | Requires option 6-DBDDR3.<br><br>Requires a 6 Series MSO instrument.<br><br>Set the DDR read reference level mode to Manual before using this command. See Related Commands. |
| <b>Group</b>      | Search and Mark                                                                                                                                                              |

**Syntax** SEARCH:SEARCH<x>:TRIGger:A:DDRREAD:REFLeve1:DATA:MID <NR3>  
SEARCH:SEARCH<x>:TRIGger:A:DDRREAD:REFLeve1:DATA:MID?

**Related Commands** [SEARCH:SEARCH<x>:TRIGger:A:DDRREAD:REFLEVELMode](#)

**Arguments** <NR3> sets the DDR read search data mid reference value.

**Examples** SEARCH:SEARCH2:TRIGger:A:DDRREAD:REFLeve1:DATA:MID 3.8E-3 sets the DDR read search data mid reference value.

SEARCH:SEARCH1:TRIGger:A:DDRREAD:REFLeve1:DATA:MID? might return SEARCH:SEARCH1:TRIGger:A:DDRREAD:REFLeve1:DATA:MID 50E-3, indicating that the DDR read search data mid reference value is set to 50E-3.

## SEARCH:SEARCH<x>:TRIGger:A:DDRREAD:REFLevel:STROBE:HIGH

This command sets or queries the DDR read reference level strobe high value, when the search type is DDR READ.

**Conditions** Requires option 6-DBDDR3.

Requires a 6 Series MSO instrument.

Set the DDR read reference level mode to Manual before using this command. See Related Commands.

**Group** Search and Mark

**Syntax** SEARCH:SEARCH<x>:TRIGger:A:DDRREAD:REFLeve1:STROBE:HIGH <NR3>  
SEARCH:SEARCH<x>:TRIGger:A:DDRREAD:REFLeve1:STROBE:HIGH?

**Related Commands** [SEARCH:SEARCH<x>:TRIGger:A:DDRREAD:REFLEVELMode](#)

**Arguments** <NR3> sets the DDR read search strobe high value.

**Examples** SEARCH:SEARCH2:TRIGger:A:DDRREAD:REFLeve1:STROBE:HIGH 3.8E-3 sets the DDR read search strobe high value.

SEARCH:SEARCH1:TRIGger:A:DDRREAD:REFLeve1:STROBE:HIGH? might return SEARCH:SEARCH1:TRIGger:A:DDRREAD:REFLeve1:STROBE:HIGH 50E-3, indicating that the DDR read search strobe high value is set to 50E-3.

**SEARCH:SEARCH<x>:TRIGger:A:DDRREAD:REFLevel:STROBE:LOW**

This command sets or queries the DDR read reference level strobe low value, when the search type is DDR READ.

|                         |                                                                                                                                                                                                                                                                                                                                           |
|-------------------------|-------------------------------------------------------------------------------------------------------------------------------------------------------------------------------------------------------------------------------------------------------------------------------------------------------------------------------------------|
| <b>Conditions</b>       | Requires option 6-DBDDR3.<br>Requires a 6 Series MSO instrument.<br>Set the DDR read reference level mode to Manual before using this command. See Related Commands.                                                                                                                                                                      |
| <b>Group</b>            | Search and Mark                                                                                                                                                                                                                                                                                                                           |
| <b>Syntax</b>           | SEARCH:SEARCH<x>:TRIGger:A:DDRREAD:REFLevel:STROBE:LOW <NR3><br>SEARCH:SEARCH<x>:TRIGger:A:DDRREAD:REFLevel:STROBE:LOW?                                                                                                                                                                                                                   |
| <b>Related Commands</b> | <a href="#">SEARCH:SEARCH&lt;x&gt;:TRIGger:A:DDRREAD:REFLEVELMode</a>                                                                                                                                                                                                                                                                     |
| <b>Arguments</b>        | <NR3> sets the DDR read search strobe low reference value.                                                                                                                                                                                                                                                                                |
| <b>Examples</b>         | SEARCH:SEARCH2:TRIGger:A:DDRREAD:REFLevel:STROBE:LOW 3.8E-3<br>sets the DDR read search strobe low reference value.<br><br>SEARCH:SEARCH1:TRIGger:A:DDRREAD:REFLevel:STROBE:LOW? might return SEARCH:SEARCH1:TRIGger:A:DDRREAD:REFLevel:STROBE:MID 50E-3, indicating that the DDR read search strobe low reference value is set to 50E-3. |

**SEARCH:SEARCH<x>:TRIGger:A:DDRREAD:REFLevel:STROBE:MID**

This command sets or queries the DDR read reference level strobe mid value, when the search type is DDR READ.

|                   |                                                                                                                                                                      |
|-------------------|----------------------------------------------------------------------------------------------------------------------------------------------------------------------|
| <b>Conditions</b> | Requires option 6-DBDDR3.<br>Requires a 6 Series MSO instrument.<br>Set the DDR read reference level mode to Manual before using this command. See Related Commands. |
| <b>Group</b>      | Search and Mark                                                                                                                                                      |

**Syntax** SEARCH:SEARCH<x>:TRIGger:A:DDRREAD:REFLeve1:STROBE:MID <NR3>  
SEARCH:SEARCH<x>:TRIGger:A:DDRREAD:REFLeve1:STROBE:MID?

**Related Commands** [SEARCH:SEARCH<x>:TRIGger:A:DDRREAD:REFLEVELMode](#)

**Arguments** <NR3> sets the DDR read search strobe mid reference value.

**Examples** SEARCH:SEARCH2:TRIGger:A:DDRREAD:REFLeve1:STROBE:MID 3.8E-3  
sets the DDR read search strobe mid reference value.

SEARCH:SEARCH1:TRIGger:A:DDRREAD:REFLeve1:STROBE:MID? might  
return SEARCH:SEARCH1:TRIGger:A:DDRREAD:REFLeve1:STROBE:MID  
50E-3, indicating that the DDR read search strobe mid reference value is set  
to 50E-3.

## SEARCH:SEARCH<x>:TRIGger:A:DDRREAD:REFLEVELMode

This command sets or queries the DDR read reference level mode to auto or manual, when the search type is DDR READ.

**Conditions** Requires option 6-DBDDR3.  
Requires a 6 Series MSO instrument.

**Group** Search and Mark

**Syntax** SEARCH:SEARCH<x>:TRIGger:A:DDRREAD:REFLEVELMode  
{AUTO|MANUAL}  
SEARCH:SEARCH<x>:TRIGger:A:DDRREAD:REFLEVELMode?

**Related Commands** [SEARCH:SEARCH<x>:TRIGger:A:DDRREAD:REFLevel:DATA:HIGH](#)  
[SEARCH:SEARCH<x>:TRIGger:A:DDRREAD:REFLevel:DATA:LOW](#)  
[SEARCH:SEARCH<x>:TRIGger:A:DDRREAD:REFLevel:DATA:MID](#)

**Arguments** AUTO sets the DDR read reference level mode to auto.  
MANUAL sets the DDR read reference level mode to manual. Use the Related  
Commands to set the Reference levels when in Manual mode.



- Examples**     `SEARCH:SEARCH3:TRIGger:A:DDRREAD:REFLEVELMode MANUAL` sets the DDR read search reference level mode to Manual for Search 3.
- `SEARCH:SEARCH1:TRIGger:A:DDRREAD:REFLEVELMode?` might return `SEARCH:SEARCH1:TRIGger:A:DDRREAD:REFLEVELMode MANUAL`, indicating that the DDR read search reference level mode set to automatic for Search 1.

## SEARCH:SEARCH<x>:TRIGger:A:DDRREAD:STANdard

This command sets or queries the DDR read search standard as DDR3 or LPDDR3.

- Conditions**     Requires option 6-DBDDR3  
                       Requires 6 Series MSO instrument
- Group**            Search and Mark
- Syntax**            `SEARCH:SEARCH<x>:TRIGger:A:DDRREAD:STANdard {DDR3|LPDDR3}`  
`SEARCH:SEARCH<x>:TRIGger:A:DDRREAD:STANdard?`
- Arguments**        `DDR3` sets the DDR read search standard as DDR3.  
                       `LPDDR3` sets the DDR read search standard as LPDDR3.
- Examples**         `SEARCH:SEARCH2:TRIGger:A:DDRREAD:STANdard DDR3` sets the DDR standard to DDR3 for DDR read Search 2.
- `SEARCH:SEARCH5:TRIGger:A:DDRREAD:STANdard?` might return `SEARCH:SEARCH5:TRIGger:A:DDRREAD:STANdard LPDDR3`, indicating that the DDR standard is set to LPDDR3 for DDR read Search 5.

## SEARCH:SEARCH<x>:TRIGger:A:DDRREAD:STROBESource

This command sets or queries the DDR read strobe source when the search type is DDR READ.

- Conditions**        Requires option 6-DBDDR3  
                       Requires 6 Series MSO instrument
- Load a reference waveform on the instrument before using this command to set the search data source to a reference waveform.

|                  |                                                                                                                                                                                                                                                                                                                                                                                                                                                                                                                                                                                                                                                                                                                                                |
|------------------|------------------------------------------------------------------------------------------------------------------------------------------------------------------------------------------------------------------------------------------------------------------------------------------------------------------------------------------------------------------------------------------------------------------------------------------------------------------------------------------------------------------------------------------------------------------------------------------------------------------------------------------------------------------------------------------------------------------------------------------------|
| <b>Group</b>     | Search and Mark                                                                                                                                                                                                                                                                                                                                                                                                                                                                                                                                                                                                                                                                                                                                |
| <b>Syntax</b>    | SEARCH:SEARCH<x>:TRIGger:A:DDRREAD:STROBESource<br>{CH<x> CH<x>_D<x> MATH<x> REF<x> REF<x>_D<x>}<br>SEARCH:SEARCH<x>:TRIGger:A:DDRREAD:STROBESource?                                                                                                                                                                                                                                                                                                                                                                                                                                                                                                                                                                                           |
| <b>Arguments</b> | <p>CH&lt;x&gt; specifies channel &lt;x&gt; as the DDR read strobe trigger source for the specified search &lt;x&gt;.</p> <p>CH&lt;x&gt;_D&lt;x&gt; specifies digital waveform &lt;x&gt; of channel &lt;x&gt; as the DDR read strobe trigger source for the specified search &lt;x&gt;.</p> <p>MATH&lt;x&gt; specifies math waveform &lt;x&gt; as the DDR read strobe trigger source for the specified search &lt;x&gt;.</p> <p>REF&lt;x&gt; specifies reference waveform &lt;x&gt; as the DDR read strobe trigger source for the specified search &lt;x&gt;.</p> <p>REF&lt;x&gt;_D&lt;x&gt; specifies digital waveform &lt;x&gt; of reference waveform &lt;x&gt; as the DDR read strobe trigger source for the specified search &lt;x&gt;.</p> |
| <b>Examples</b>  | <p>SEARCH:SEARCH3:TRIGGER:A:DDRREAD:STROBESource MAT25 sets the Search 3 source waveform to Math 2 for the DDR read strobe search.</p> <p>SEARCH:SEARCH1:TRIGGER:A:DDRREAD:STROBESource? might return SEARCH:SEARCH1:TRIGGER:A:DDRREAD:STROBESource CH3, indicating that the Channel 3 waveform is the source for the DDR read strobe of Search 1.</p>                                                                                                                                                                                                                                                                                                                                                                                         |

## SEARCH:SEARCH<x>:TRIGger:A:DDRREAD:TOLERance

This command sets or queries the DDR read logic state tolerance value.

|                   |                                                                                                                                                                                                                                    |
|-------------------|------------------------------------------------------------------------------------------------------------------------------------------------------------------------------------------------------------------------------------|
| <b>Conditions</b> | <p>Requires option 6-DBDDR3.</p> <p>Requires a 6 Series MSO instrument.</p> <p>Set the DDR Read standard (DDR3 or LPDDR3) before using this command. See Related Commands.</p> <p>Set burst detection method as "Logic State".</p> |
| <b>Group</b>      | Search and Mark                                                                                                                                                                                                                    |
| <b>Syntax</b>     | SEARCH:SEARCH<x>:TRIGger:A:DDRREAD:TOLERance <NR3><br>SEARCH:SEARCH<x>:TRIGger:A:DDRREAD:TOLERance?                                                                                                                                |

**Related Commands** [SEARCH:SEARCH<x>:TRIGger:A:DDRREAD:BURSTDETECTmethod](#)

**Arguments** SEARCH<x> specifies the search number.  
 <NR3> sets the logic state tolerance value.

**Examples** SEARCH:SEARCH3:TRIGger:A:DDRREAD:TOLERance 400E-3 sets the DDRREAD logic state tolerance value of search 3 to .004.  
 SEARCH:SEARCH1:TRIGger:A:DDRREAD:TOLERance? might return SEARCH:SEARCH1:TRIGger:A:DDRREAD:TOLERance 500E-3, indicating that the DDRREAD logic state tolerance value is set to 500E-3 for search 1.

## SEARCH:SEARCH<x>:TRIGger:A:DDRREADWRITE:BURSTDETECTmethod

This command sets or queries the DDR Read/Write search burst detection method.

**Conditions** Requires option 6-DBDDR3.  
 Requires a 6 Series MSO instrument.  
 Set the DDR Read standard (DDR3 or LPDDR3) before using this command.  
 See Related Commands.

**Group** Search and Mark

**Syntax** SEARCH:SEARCH<x>:TRIGger:A:DDRREADWRITE:BURSTDETECTmethod  
 {DQDQS|ChipSelect|LogicState}  
 SEARCH:SEARCH<x>:TRIGger:A:DDRREADWRITE:BURSTDETECTmethod?

**Related Commands** [SEARCH:SEARCH<x>:TRIGger:A:DDRREADWRITE:STANdard](#)

**Arguments** DQDQS sets the read/write burst detection method to DQDQS.  
 ChipSelect sets the read/write burst detection method to ChipSelect.  
 LogicState sets the read/write burst detection method to LogicState.

**Examples** SEARCH:SEARCH1:TRIGger:A:DDRREADWRITE:BURSTDETECTmethod  
 DQDQS sets the burst detection method as Logic state + burst latency  
 SEARCH:SEARCH1:TRIGger:A:DDRREADWRITE:BURSTDETECTmethod?  
 might return  
 SEARCH:SEARCH1:TRIGger:A:DDRREADWRITE:BURSTDETECTmethod

LogicState, indicating that the DDR ReadWrite burst detection method is Logic state + burst latency.

## SEARCH:SEARCH<x>:TRIGger:A:DDRREADWRITE:BURSTLatency

This command sets or queries the DDR read/write logic state burst latency value.

|                         |                                                                                                                                                                                                                                                                                                                                                   |
|-------------------------|---------------------------------------------------------------------------------------------------------------------------------------------------------------------------------------------------------------------------------------------------------------------------------------------------------------------------------------------------|
| <b>Conditions</b>       | Requires option 6-DBDDR3.<br>Requires a 6 Series MSO instrument.<br>Set the DDR Read standard (DDR3 or LPDDR3) before using this command.<br>See Related Commands.<br>Set burst detection method as "Logic State".                                                                                                                                |
| <b>Group</b>            | Search and Mark                                                                                                                                                                                                                                                                                                                                   |
| <b>Syntax</b>           | SEARCH:SEARCH<x>:TRIGger:A:DDRREADWRITE:BURSTLatency <NR3><br>SEARCH:SEARCH<x>:TRIGger:A:DDRREADWRITE:BURSTLatency?                                                                                                                                                                                                                               |
| <b>Related Commands</b> | <a href="#">SEARCH:SEARCH&lt;x&gt;:TRIGger:A:DDRREADWRITE:BURSTDETECTmethod</a>                                                                                                                                                                                                                                                                   |
| <b>Arguments</b>        | SEARCH<x> specifies the search number.<br><NR3> sets the logic state burst latency value.                                                                                                                                                                                                                                                         |
| <b>Examples</b>         | SEARCH:SEARCH1:TRIGger:A:DDRREADWRITE:BURSTLatency 500E-3 sets the DDRREADWRITE burst latency value of search 1 to .005.<br>SEARCH:SEARCH3:TRIGger:A:DDRREADWRITE:BURSTLatency? might return SEARCH:SEARCH3:TRIGger:A:DDRREADWRITE:BURSTLatency 500E-3, indicating that the DDRREADWRITE logic burst latency value is set to 500E-3 for search 3. |

## SEARCH:SEARCH<x>:TRIGger:A:DDRREADWRITE:BURSTLENGTH

This command sets or queries the DDR read/write logic state burst length value.

|                   |                                                                  |
|-------------------|------------------------------------------------------------------|
| <b>Conditions</b> | Requires option 6-DBDDR3.<br>Requires a 6 Series MSO instrument. |
|-------------------|------------------------------------------------------------------|

Set the DDR Read standard (DDR3 or LPDDR3) before using this command.  
See Related Commands.

Set burst detection method as "Logic State".

**Group** Search and Mark

**Syntax** SEARCH:SEARCH<x>:TRIGger:A:DDRREADWRITE:BURSTLENGTH <NR1>  
SEARCH:SEARCH<x>:TRIGger:A:DDRREADWRITE:BURSTLENGTH?

**Related Commands** [SEARCH:SEARCH<x>:TRIGger:A:DDRREADWRITE:BURSTDETECTmethod](#)

**Arguments** SEARCH<x> specifies the search number.  
NR1 sets the logic state burst length value.

**Examples** SEARCH:SEARCH3:TRIGger:A:DDRREADWRITE:BURSTLENGTH 10 sets the DDRREADWRITE logic state burst length value of search 3 to 10 bursts.  
SEARCH:SEARCH1:TRIGger:A:DDRREADWRITE:BURSTLENGTH? might return SEARCH:SEARCH1:TRIGger:A:DDRREADWRITE:BURSTLENGTH 8, indicating that the DDRREADWRITE logic state burst length value is set to 8 bursts for search 1.

## SEARCH:SEARCH<x>:TRIGger:A:DDRREADWRITE:CSActive

This command sets or queries the DDR Read/Write chip select active state.

**Conditions** Requires option 6-DBDDR3.  
Requires a 6 Series MSO instrument.  
Set the DDR Read standard (DDR3 or LPDDR3) before using this command.  
See Related Commands.  
Set burst detection method as "Chip Select"

**Group** Search and Mark

**Syntax** SEARCH:SEARCH<x>:TRIGger:A:DDRREADWRITE:CSActive {LOW|HIGH}  
SEARCH:SEARCH<x>:TRIGger:A:DDRREADWRITE:CSActive?

**Related Commands** [SEARCH:SEARCH<x>:TRIGger:A:DDRREADWRITE:BURSTDETECTmethod](#)

- Arguments** SEARCH<x> specifies the search number.  
LOW sets the DDR read/write chip select active state to low.  
HIGH sets the DDR read/write chip select active state to high.
- Examples** SEARCH:SEARCH2:TRIGger:A:DDRREADWRITE:CSActive LOW sets the DDRREADWRITE chip select active to LOW.  
SEARCH:SEARCH4:TRIGger:A:DDRREADWRITE:CSActive? might return SEARCH:SEARCH4:TRIGger:A:DDRREADWRITE:CSActive HIGH, indicating the DDRREADWRITE search chip select active value for search 4 is set to HIGH.

## SEARCH:SEARCH<x>:TRIGger:A:DDRREADWRITE:CSLevel

This command sets or queries the DDR Read/Write chip select level value.

- Conditions** Requires option 6-DBDDR3.  
Requires a 6 Series MSO instrument.  
Set the DDR Read standard (DDR3 or LPDDR3) before using this command.  
See Related Commands.  
Set burst detection method as "Chip Select"
- Group** Search and Mark
- Syntax** SEARCH:SEARCH<x>:TRIGger:A:DDRREADWRITE:CSLevel <NR3>  
SEARCH:SEARCH<x>:TRIGger:A:DDRREADWRITE:CSLevel?
- Related Commands** [SEARCH:SEARCH<x>:TRIGger:A:DDRREADWRITE:BURSTDETECTmethod](#)  
[SEARCH:SEARCH<x>:TRIGger:A:DDRREADWRITE:CSMode](#)
- Arguments** SEARCH<x> specifies the search number.  
<NR3> sets the DDR read/write chip select level value.
- Examples** SEARCH:SEARCH2:TRIGger:A:DDRREADWRITE:CSLevel 2.8E-3 sets the DDR read/write chip select level value to 2.8E-3.  
SEARCH:SEARCH4:TRIGger:A:DDRREADWRITE:CSLevel? might return SEARCH:SEARCH4:TRIGger:A:DDRREADWRITE:CSLevel 2.8E-3, indicating the DDR read/write search chip select level value for search 4 is set to 2.8E-3.

## SEARCH:SEARCH<x>:TRIGger:A:DDRREADWRITE:CSMode

This command sets or queries the DDR read/write chip select mode.

|                         |                                                                                                                                                                                                                                                                                                                                          |
|-------------------------|------------------------------------------------------------------------------------------------------------------------------------------------------------------------------------------------------------------------------------------------------------------------------------------------------------------------------------------|
| <b>Conditions</b>       | <p>Requires option 6-DBDDR3.</p> <p>Requires a 6 Series MSO instrument.</p> <p>Set the DDR Read standard (DDR3 or LPDDR3) before using this command. See Related Commands.</p> <p>Set burst detection method as "Chip Select"</p>                                                                                                        |
| <b>Group</b>            | Search and Mark                                                                                                                                                                                                                                                                                                                          |
| <b>Syntax</b>           | <pre>SEARCH:SEARCH&lt;x&gt;:TRIGger:A:DDRREADWRITE:CSMode {Auto Manual} SEARCH:SEARCH&lt;x&gt;:TRIGger:A:DDRREADWRITE:CSMode?</pre>                                                                                                                                                                                                      |
| <b>Related Commands</b> | <a href="#">SEARCH:SEARCH&lt;x&gt;:TRIGger:A:DDRREADWRITE:BURSTDETECTmethod</a>                                                                                                                                                                                                                                                          |
| <b>Arguments</b>        | <p>SEARCH&lt;x&gt; specifies the search number.</p> <p>Auto sets the DDR read/write chip select mode to auto.</p> <p>Manual sets the DDR read/write chip select mode to manual. Use the Related Commands to set the Reference levels when in Manual mode.</p>                                                                            |
| <b>Examples</b>         | <p>SEARCH:SEARCH4:TRIGger:A:DDRREADWRITE:CSMode AUTO sets the DDR read/write search chip select mode to Auto for search 4.</p> <p>SEARCH:SEARCH3:TRIGger:A:DDRREADWRITE:CSMode? might return SEARCH:SEARCH3:TRIGger:A:DDRREADWRITE:CSMode Manual, indicating that the DDR read/write chip select mode is set to manual for search 3.</p> |

## SEARCH:SEARCH<x>:TRIGger:A:DDRREADWRITE:CSSource

This command sets or queries the DDR Read/Write search chip select source.

|                   |                                                                                                                                                                                                                                    |
|-------------------|------------------------------------------------------------------------------------------------------------------------------------------------------------------------------------------------------------------------------------|
| <b>Conditions</b> | <p>Requires option 6-DBDDR3.</p> <p>Requires a 6 Series MSO instrument.</p> <p>Set the DDR Read standard (DDR3 or LPDDR3) before using this command. See Related Commands.</p> <p>Set burst detection method as "Chip Select".</p> |
|-------------------|------------------------------------------------------------------------------------------------------------------------------------------------------------------------------------------------------------------------------------|

|                         |                                                                                                                                                                                                                                                                                                                                                                                                                                                                                                                                                                                                                                                                                                                                                                                                         |
|-------------------------|---------------------------------------------------------------------------------------------------------------------------------------------------------------------------------------------------------------------------------------------------------------------------------------------------------------------------------------------------------------------------------------------------------------------------------------------------------------------------------------------------------------------------------------------------------------------------------------------------------------------------------------------------------------------------------------------------------------------------------------------------------------------------------------------------------|
| <b>Group</b>            | Search and Mark                                                                                                                                                                                                                                                                                                                                                                                                                                                                                                                                                                                                                                                                                                                                                                                         |
| <b>Syntax</b>           | SEARCH:SEARCH<x>:TRIGger:A:DDRREADWRITE:CSSource<br>{CH<x> CH<x>_D<x> MATH<x> REF<x> REF<x>_D<x>}<br>SEARCH:SEARCH<x>:TRIGger:A:DDRREADWRITE:CSSource?                                                                                                                                                                                                                                                                                                                                                                                                                                                                                                                                                                                                                                                  |
| <b>Related Commands</b> | <a href="#">SEARCH:SEARCH&lt;x&gt;:TRIGger:A:DDRREADWRITE:BURSTDETECTmethod</a>                                                                                                                                                                                                                                                                                                                                                                                                                                                                                                                                                                                                                                                                                                                         |
| <b>Arguments</b>        | <p>SEARCH&lt;x&gt; specifies the search number.</p> <p>CH&lt;x&gt; specifies channel &lt;x&gt; as the DDR read/write chip select source for the specified search &lt;x&gt;.</p> <p>CH&lt;x&gt;_D&lt;x&gt; specifies digital waveform &lt;x&gt; of channel &lt;x&gt; as the DDR read/write strobe source for the specified search &lt;x&gt;.</p> <p>MATH&lt;x&gt; specifies math waveform &lt;x&gt; as the DDR read/write chip select source for the specified search &lt;x&gt;.</p> <p>REF&lt;x&gt; specifies reference waveform &lt;x&gt; as the DDR read/write chip select source for the specified search &lt;x&gt;.</p> <p>REF&lt;x&gt;_D&lt;x&gt; specifies digital waveform &lt;x&gt; of reference waveform &lt;x&gt; as the DDR read/write strobe source for the specified search &lt;x&gt;.</p> |
| <b>Examples</b>         | <p>SEARCH:SEARCH3:TRIGger:A:DDRREADWRITE:CSSource CH2 sets the search 3 chip select source waveform to CH2 for the specified DDR read/write search.</p> <p>SEARCH:SEARCH1:TRIGger:A:DDRREADWRITE:CSSource? might return SEARCH:SEARCH1:TRIGger:A:DDRREADWRITE:CSSource CH2, indicating that the Channel 2 waveform is the source for the DDR read/write chip select source of search 1.</p>                                                                                                                                                                                                                                                                                                                                                                                                             |

## SEARCH:SEARCH<x>:TRIGger:A:DDRREADWRITE:DATARate

This command sets or queries the DDR read/write data rate for DDR3 and LPDDR3 standards of the specified search.

The DDR3 standard supports the following data rates:  
800|1066|1333|1600|1866|2133.

The LPDDR3 standard supports the following data rates:  
333|800|1066|1200|1333|1466|1600|1866|2133.

**Conditions** Requires option 6-DBDDR3.



Requires a 6 Series MSO instrument.

Set the DDR Read/Write standard (DDR3 or LPDDR3) before using this command. See Related Commands.

**Group** Search and Mark

**Syntax** SEARCH:SEARCH<x>:TRIGger:A:DDRREADWRITE:DATARate  
{333|800|1066|1200|1333|1466|1600|1866|2133}  
SEARCH:SEARCH<x>:TRIGger:A:DDRREADWRITE:DATARate?

**Related Commands** [SEARCH:SEARCH<x>:TRIGger:A:DDRREADWRITE:STANdard](#)

**Arguments**

- 333 sets the data rate to 333.
- 800 sets the data rate to 800.
- 1066 sets the data rate to 1066.
- 1200 sets the data rate to 1200.
- 1333 sets the data rate to 1333.
- 1466 sets the data rate to 1466.
- 1600 sets the data rate to 1600.
- 1866 sets the data rate to 1866.
- 2133 sets the data rate to 2133.

**Examples** SEARCH:SEARCH2:TRIGger:A:DDRREADWRITE:DATARate 1333 sets the data rate to 1333 for DDR read Search 2.

SEARCH:SEARCH5:TRIGger:A:DDRREADWRITE:DATARate? might return  
SEARCH:SEARCH5:TRIGger:A:DDRREADWRITE:DATARate 1466 indicating that the data rate for DDR read Search 5 is 1466.

## SEARCH:SEARCH<x>:TRIGger:A:DDRREADWRITE:DATASource

This command sets or queries the DDR read/write data source when the search type is DDR READWRITE.

**Conditions**

- Requires option 6-DBDDR3
- Requires 6 Series MSO instrument

Load a reference waveform on the instrument before using this command to set the search data source to a reference waveform.

|                  |                                                                                                                                                                                                                                                                                                                                                                                                                                                                                                                                                                                                                                                                                                                            |
|------------------|----------------------------------------------------------------------------------------------------------------------------------------------------------------------------------------------------------------------------------------------------------------------------------------------------------------------------------------------------------------------------------------------------------------------------------------------------------------------------------------------------------------------------------------------------------------------------------------------------------------------------------------------------------------------------------------------------------------------------|
| <b>Group</b>     | Search and Mark                                                                                                                                                                                                                                                                                                                                                                                                                                                                                                                                                                                                                                                                                                            |
| <b>Syntax</b>    | SEARCH:SEARCH<x>:TRIGger:A:DDRREADWRITE:DATASource<br>{CH<x> CH<x>_D<x> MATH<x> REF<x> REF<x>_D<x>}<br>SEARCH:SEARCH<x>:TRIGger:A:DDRREADWRITE:DATASource?                                                                                                                                                                                                                                                                                                                                                                                                                                                                                                                                                                 |
| <b>Arguments</b> | <p>CH&lt;x&gt; specifies channel &lt;x&gt; as the DDR read/write data source for the specified search &lt;x&gt;.</p> <p>CH&lt;x&gt;_D&lt;x&gt; specifies digital waveform &lt;x&gt; of channel &lt;x&gt; as the DDR read/write data source for the specified search &lt;x&gt;.</p> <p>MATH&lt;x&gt; specifies math waveform &lt;x&gt; as the DDR read/write data source for the specified search &lt;x&gt;.</p> <p>REF&lt;x&gt; specifies reference waveform &lt;x&gt; as the DDR read/write data source for the specified search &lt;x&gt;.</p> <p>REF&lt;x&gt;_D&lt;x&gt; specifies digital waveform &lt;x&gt; of reference waveform &lt;x&gt; as the DDR read/write data source for the specified search &lt;x&gt;.</p> |
| <b>Examples</b>  | <p>SEARCH:SEARCH3:TRIGGER:A:DDRREADWRITE:DATASource CH2 sets the source waveform of Search 3 to Channel 2 for the DDR read/write search.</p> <p>SEARCH:SEARCH1:TRIGGER:A:DDRREADWRITE:DATASource? might return SEARCH:SEARCH1:TRIGGER:A:DDRREADWRITE:DATASource CH2, indicating that the Channel 2 waveform is the source for the DDR read/write data of Search 1.</p>                                                                                                                                                                                                                                                                                                                                                     |

## SEARCH:SEARCH<x>:TRIGger:A:DDRREADWRITE:HYSteresis

This command sets or queries the DDR read/write hysteresis reference level value, when the search type is DDR READWRITE.

|                   |                                                                                                                                                                                           |
|-------------------|-------------------------------------------------------------------------------------------------------------------------------------------------------------------------------------------|
| <b>Conditions</b> | <p>Requires option 6-DBDDR3.</p> <p>Requires a 6 Series MSO instrument.</p> <p>Set the DDR read/write reference level mode to Manual before using this command. See Related Commands.</p> |
| <b>Group</b>      | Search and Mark                                                                                                                                                                           |

**Syntax** SEARCH:SEARCH<x>:TRIGger:A:DDRREADWRITE:HYSteresis <NR3>  
SEARCH:SEARCH<x>:TRIGger:A:DDRREADWRITE:HYSteresis?

**Related Commands** [SEARCH:SEARCH<x>:TRIGger:A:DDRREADWRITE:REFLEVELMode](#)

**Arguments** <NR3> sets the DDR read/write search hysteresis percent value in the range of 0% to 50%.

**Examples** SEARCH:SEARCH2:TRIGger:A:DDRREADWRITE:HYSteresis 10 sets the DDR read/write search hysteresis value to 10%.

SEARCH:SEARCH1:TRIGger:A:DDRREAWRITE:HYSteresis? might return SEARCH:SEARCH1:TRIGger:A:DDRREADWRITE:HYSteresis 5, indicating that the DDR read/write search hysteresis value is set to 5%.

## SEARCH:SEARCH<x>:TRIGger:A:DDRREADWRITE:LOGIC1SOUrce:SYMBol

This command sets or queries the DDR read/write logic source 1 symbol.

**Conditions** Requires option 6-DBDDR3.  
Requires a 6 Series MSO instrument.  
Set the DDR Read standard (DDR3 or LPDDR3) before using this command.  
See Related Commands.  
Set burst detection method as "Logic State".

**Group** Search and Mark

**Syntax** SEARCH:SEARCH<x>:TRIGger:A:DDRREADWRITE:LOGIC1SOUrce:SYMBol {H|L|X}  
SEARCH:SEARCH<x>:TRIGger:A:DDRREADWRITE:LOGIC1SOUrce:SYMBol?

**Related Commands** [SEARCH:SEARCH<x>:TRIGger:A:DDRREADWRITE:BURSTDETECTmethod](#)

**Arguments** SEARCH<x> specifies the search number.  
H sets the logic source 1 symbol to H (High).  
L sets the logic source 1 symbol to L (Low).  
X sets the logic source 1 symbol to X (Don't care).

**Examples**      `SEARCH:SEARCH3:TRIGger:A:DDRREADWRITE:LOGIC1SOURCE:SYMBOL X`  
sets the DDRREADWRITE logic source 1 symbol of search 3 to X (don't care)

`SEARCH:SEARCH1:TRIGger:A:DDRREADWRITE:LOGIC1SOURCE:SYMBOL?`  
might return  
`SEARCH:SEARCH1:TRIGger:A:DDRREADWRITE:LOGIC1SOURCE:SYMBOL L,`  
indicating that the DDRREADWRITE logic source 1 symbol is set to Low  
for search 1.

## **SEARCH:SEARCH<x>:TRIGger:A:DDRREADWRITE:LOGIC2SOURCE:SYMBOL**

This command sets or queries the DDR read/write logic source 2 symbol.

**Conditions**      Requires option 6-DBDDR3.  
Requires a 6 Series MSO instrument.  
Set the DDR Read standard (DDR3 or LPDDR3) before using this command.  
See Related Commands.  
Set burst detection method as "Logic State".

**Group**            Search and Mark

**Syntax**            `SEARCH:SEARCH<x>:TRIGger:A:DDRREADWRITE:LOGIC2SOURCE:SYMBOL`  
`{H|L|X}`  
`SEARCH:SEARCH<x>:TRIGger:A:DDRREADWRITE:LOGIC2SOURCE:SYMBOL?`

**Related Commands**      [SEARCH:SEARCH<x>:TRIGger:A:DDRREADWRITE:BURSTDETECTmethod](#)

**Arguments**        `SEARCH<x>` specifies the search number.  
H sets the logic source 2 symbol to H (High).  
L sets the logic source 2 symbol to L (Low).  
X sets the logic source 2 symbol to X (Don't care).

**Examples**        `SEARCH:SEARCH3:TRIGger:A:DDRREADWRITE:LOGIC2SOURCE:SYMBOL X`  
sets the DDRREADWRITE logic source 2 symbol of search 3 to X (don't care)

`SEARCH:SEARCH1:TRIGger:A:DDRREADWRITE:LOGIC2SOURCE:SYMBOL?`  
might return  
`SEARCH:SEARCH1:TRIGger:A:DDRREADWRITE:LOGIC2SOURCE:SYMBOL L,`  
indicating that the DDRREADWRITE logic source 2 symbol is set to Low  
for search 1.

**SEARCH:SEARCH<x>:TRIGger:A:DDRREADWRITE:LOGIC3SOURCE:SYMBOL**

This command sets or queries the DDR read/write logic source 3 symbol.

|                         |                                                                                                                                                                                                                                                                                                                                                                           |
|-------------------------|---------------------------------------------------------------------------------------------------------------------------------------------------------------------------------------------------------------------------------------------------------------------------------------------------------------------------------------------------------------------------|
| <b>Conditions</b>       | <p>Requires option 6-DBDDR3.</p> <p>Requires a 6 Series MSO instrument.</p> <p>Set the DDR Read standard (DDR3 or LPDDR3) before using this command.<br/>See Related Commands.</p> <p>Set burst detection method as "Logic State".</p>                                                                                                                                    |
| <b>Group</b>            | Search and Mark                                                                                                                                                                                                                                                                                                                                                           |
| <b>Syntax</b>           | <pre>SEARCH:SEARCH&lt;x&gt;:TRIGger:A:DDRREADWRITE:LOGIC3SOURCE:SYMBOL {H L X} SEARCH:SEARCH&lt;x&gt;:TRIGger:A:DDRREADWRITE:LOGIC3SOURCE:SYMBOL?</pre>                                                                                                                                                                                                                   |
| <b>Related Commands</b> | <a href="#">SEARCH:SEARCH&lt;x&gt;:TRIGger:A:DDRREADWRITE:BURSTDETECTmethod</a>                                                                                                                                                                                                                                                                                           |
| <b>Arguments</b>        | <p>SEARCH&lt;x&gt; specifies the search number.</p> <p>H sets the logic source 3 symbol to H (High).</p> <p>L sets the logic source 3 symbol to L (Low).</p> <p>X sets the logic source 3 symbol to X (Don't care).</p>                                                                                                                                                   |
| <b>Examples</b>         | <pre>SEARCH:SEARCH3:TRIGger:A:DDRREADWRITE:LOGIC3SOURCE:SYMBOL X sets the DDRREADWRITE logic source 3 symbol of search 3 to X (don't care)  SEARCH:SEARCH1:TRIGger:A:DDRREADWRITE:LOGIC3SOURCE:SYMBOL? might return SEARCH:SEARCH1:TRIGger:A:DDRREADWRITE:LOGIC3SOURCE:SYMBOL L, indicating that the DDRREADWRITE logic source 3 symbol is set to Low for search 1.</pre> |

**SEARCH:SEARCH<x>:TRIGger:A:DDRREADWRITE:LOGIC4SOURCE:SYMBOL**

This command sets or queries the DDR read/write logic source 4 symbol.

|                   |                                                                             |
|-------------------|-----------------------------------------------------------------------------|
| <b>Conditions</b> | <p>Requires option 6-DBDDR3.</p> <p>Requires a 6 Series MSO instrument.</p> |
|-------------------|-----------------------------------------------------------------------------|

Set the DDR Read standard (DDR3 or LPDDR3) before using this command.  
See Related Commands.

Set burst detection method as "Logic State".

**Group** Search and Mark

**Syntax** SEARCH:SEARCH<x>:TRIGger:A:DDRREADWRITE:LOGIC4SOURCE:SYMBOL  
{H|L|X}  
SEARCH:SEARCH<x>:TRIGger:A:DDRREADWRITE:LOGIC4SOURCE:SYMBOL?

**Related Commands** [SEARCH:SEARCH<x>:TRIGger:A:DDRREADWRITE:BURSTDETECTmethod](#)

**Arguments** SEARCH<x> specifies the search number.  
H sets the logic source 4 symbol to H (High).  
L sets the logic source 4 symbol to L (Low).  
X sets the logic source 4 symbol to X (Don't care).

**Examples** SEARCH:SEARCH3:TRIGger:A:DDRREADWRITE:LOGIC4SOURCE:SYMBOL X  
sets the DDRREADWRITE logic source 4 symbol of search 3 to X (don't care)  
SEARCH:SEARCH1:TRIGger:A:DDRREADWRITE:LOGIC4SOURCE:SYMBOL?  
might return  
SEARCH:SEARCH1:TRIGger:A:DDRREADWRITE:LOGIC4SOURCE:SYMBOL L,  
indicating that the DDRREADWRITE logic source 4 symbol is set to Low  
for search 1.

## SEARCH:SEARCH<x>:TRIGger:A:DDRREADWRITE:MARGIN

This command sets or queries the DDR read/write margin reference level value,  
when the search type is DDR READWRITE.

**Conditions** Requires option 6-DBDDR3.  
Requires a 6 Series MSO instrument.  
Set the DDR read/write reference level mode to Manual before using this  
command. See Related Commands.

**Group** Search and Mark

**Syntax** SEARCH:SEARCH<x>:TRIGger:A:DDRREADWRITE:MARgin <NR3>  
SEARCH:SEARCH<x>:TRIGger:A:DDRREADWRITE:MARgin?

**Related Commands** [SEARCH:SEARCH<x>:TRIGger:A:DDRREADWRITE:REFLEVELMode](#)

**Arguments** <NR3> sets the DDR read/write search margin percent value in the range of 0% to 100%.

**Examples** SEARCH:SEARCH2:TRIGger:A:DDRREADWRITE:MARgin 15 sets the DDR read/write search margin value to 15%.

SEARCH:SEARCH1:TRIGger:A:DDRREAWRITE:MARgin? might return SEARCH:SEARCH1:TRIGger:A:DDRREADWRITE:MARgin 10, indicating that the DDR read/write search margin value is set to 10%.

## SEARCH:SEARCH<x>:TRIGger:A:DDRREADWRITE:MAXCAS

This command sets or queries the DDR read/write chip maximum Column Access Strobe (CAS) value.

**Conditions** Requires option 6-DBDDR3.  
Requires a 6 Series MSO instrument.  
Set the DDR Read standard (DDR3 or LPDDR3) before using this command.  
See Related Commands.  
Set burst detection method as "Chip Select"

**Group** Search and Mark

**Syntax** SEARCH:SEARCH<x>:TRIGger:A:DDRREADWRITE:MAXCAS <NR3>  
SEARCH:SEARCH<x>:TRIGger:A:DDRREADWRITE:MAXCAS?

**Related Commands** [SEARCH:SEARCH<x>:TRIGger:A:DDRREADWRITE:BURSTDETECTmethod](#)

**Arguments** SEARCH<x> specifies the search number.  
<NR3> sets the DDR read chip select CAS maximum value.

**Examples** EARCH:SEARCH1:TRIGger:A:DDRREADWRITE:MAXCAS 3.8E-3 sets the DDR read chip select CAS maximum value to 3.8 milliseconds for search 1.

SEARCH:SEARCH5:TRIGger:A:DDRREADWRITE:MAXCAS? might return  
SEARCH:SEARCH5:TRIGger:A:DDRREADWRITE:MAXCAS 2.1E-3, indicating  
that the DDR read chip select CAS maximum value is set to 2.1 milliseconds  
for search 5.

## SEARCH:SEARCH<x>:TRIGger:A:DDRREADWRITE:MINCas

This command sets or queries the DDR read/write chip minimum Column Access Strobe (CAS) value.

|                         |                                                                                                                                                                                                                                                                                                                                                                       |
|-------------------------|-----------------------------------------------------------------------------------------------------------------------------------------------------------------------------------------------------------------------------------------------------------------------------------------------------------------------------------------------------------------------|
| <b>Conditions</b>       | Requires option 6-DBDDR3.<br>Requires a 6 Series MSO instrument.<br>Set the DDR Read standard (DDR3 or LPDDR3) before using this command.<br>See Related Commands.<br>Set burst detection method as "Chip Select"                                                                                                                                                     |
| <b>Group</b>            | Search and Mark                                                                                                                                                                                                                                                                                                                                                       |
| <b>Syntax</b>           | SEARCH:SEARCH<x>:TRIGger:A:DDRREADWRITE:MINCas <NR3><br>SEARCH:SEARCH<x>:TRIGger:A:DDRREADWRITE:MINCas?                                                                                                                                                                                                                                                               |
| <b>Related Commands</b> | <a href="#">SEARCH:SEARCH&lt;x&gt;:TRIGger:A:DDRREADWRITE:BURSTDETECTmethod</a>                                                                                                                                                                                                                                                                                       |
| <b>Arguments</b>        | SEARCH<x> specifies the search number.<br><NR3> sets the DDR read chip select CAS minimum value.                                                                                                                                                                                                                                                                      |
| <b>Examples</b>         | SEARCH:SEARCH1:TRIGger:A:DDRREADWRITE:MINCas 3.8E-3 sets the DDR read chip select CAS minimum value to 3.8 milliseconds for search 1.<br>SEARCH:SEARCH5:TRIGger:A:DDRREADWRITE:MINCas? might return<br>SEARCH:SEARCH5:TRIGger:A:DDRREADWRITE:MINCas 2.1E-3, indicating<br>that the DDR read chip select CAS minimum value is set to 2.1 milliseconds<br>for search 5. |

## SEARCH:SEARCH<x>:TRIGger:A:DDRREADWRITE:POSTAMBLE:LENGth

This command sets or queries the DDR read/write postamble length when the search type is DDR READWRITE.



|                   |                                                                                                                                                                                                                                                                                                                                                                        |
|-------------------|------------------------------------------------------------------------------------------------------------------------------------------------------------------------------------------------------------------------------------------------------------------------------------------------------------------------------------------------------------------------|
| <b>Conditions</b> | Requires option 6-DBDDR3.<br>Requires a 6 Series MSO instrument.                                                                                                                                                                                                                                                                                                       |
| <b>Group</b>      | Search and Mark                                                                                                                                                                                                                                                                                                                                                        |
| <b>Syntax</b>     | SEARCH:SEARCH<x>:TRIGger:A:DDRREADWRITE:POSTAMBLE:LENGTH<br>{500E-3 500E-1.5 500E-1}<br>SEARCH:SEARCH<x>:TRIGger:A:DDRREADWRITE:POSTAMBLE:LENGTH?                                                                                                                                                                                                                      |
| <b>Arguments</b>  | 500E-1.5 sets the postamble length to 1.5 tCK (number of clock cycles).<br>500E-1 sets the postamble length to 1 tCK (number of clock cycles).<br>500E-3 sets the postamble length to 0.5 tCK (number of clock cycles).                                                                                                                                                |
| <b>Examples</b>   | SEARCH:SEARCH3:TRIGger:A:DDRREADWRITE:POSTAMBLE:LENGTH<br>500E-1.5 sets the DDR read/write postamble length for Search 3 to 1.5 tCK.<br><br>SEARCH:SEARCH2:TRIGger:A:DDRREADWRITE:POSTAMBLE:LENGTH? might<br>return SEARCH:SEARCH2:TRIGger:A:DDRREADWRITE:POSTAMBLE:LENGTH<br>500E-1, indicating that the read/write postamble length for Search 2 is set to 1<br>tCK. |

## SEARCH:SEARCH<x>:TRIGger:A:DDRREADWRITE:PREAMBLE:TYPE

This command sets or queries the DDR read/write preamble type when the search type is DDR READWRITE.

|                   |                                                                                                                                     |
|-------------------|-------------------------------------------------------------------------------------------------------------------------------------|
| <b>Conditions</b> | Requires option 6-DBDDR3.<br>Requires a 6 Series MSO instrument.                                                                    |
| <b>Group</b>      | Search and Mark                                                                                                                     |
| <b>Syntax</b>     | SEARCH:SEARCH<x>:TRIGger:A:DDRREADWRITE:PREAMBLE:TYPE<br>{STATIC DYNAMIC}<br>SEARCH:SEARCH<x>:TRIGger:A:DDRREADWRITE:PREAMBLE:TYPE? |
| <b>Arguments</b>  | STATIC sets the DDR Read/Write preamble type to Static.<br>DYNAMIC sets the DDR Read/Write preamble type to Dynamic.                |

**Examples**     `SEARCH:SEARCH2:TRIGger:A:DDRREADWRITE:PREAMBLE:TYPE STATIC`  
sets the search 2 DDR read preamble type to Static.

`SEARCH:SEARCH5:TRIGger:A:DDRREADWRITE:PREAMBLE:TYPE?` might  
return `SEARCH:SEARCH5:TRIGger:A:DDRREADWRITE:PREAMBLE:TYPE`  
`DYNAMIC`, indicating that the DDR read/write preamble type for Search 5 is set  
to dynamic mode.

## **SEARCH:SEARCH<x>:TRIGger:A:DDRREADWRITE:REFLevel:DATA:HIG**

This command sets or queries the DDR read/write data high reference level value,  
when the search type is DDR READWRITE.

**Conditions**     Requires option 6-DBDDR3.  
Requires a 6 Series MSO instrument.  
Set the DDR read/write reference level mode to Manual before using this  
command. See Related Commands.

**Group**     Search and Mark

**Syntax**     `SEARCH:SEARCH<x>:TRIGger:A:DDRREADWRITE:REFLevel:DATA:HIG`  
`<NR3>`  
`SEARCH:SEARCH<x>:TRIGger:A:DDRREADWRITE:REFLevel:DATA:HIG?`

**Related Commands**     [SEARCH:SEARCH<x>:TRIGger:A:DDRREADWRITE:REFLEVELMode](#)

**Arguments**     `<NR3>` sets the DDR read/write search data high reference value.

**Examples**     `SEARCH:SEARCH2:TRIGger:A:DDRREADWRITE:REFLevel:DATA:HIG`  
`3.8E-3` sets the DDR read/write search data high reference value.

`SEARCH:SEARCH1:TRIGger:A:DDRREADWRITE:REFLevel:DATA:HIG?`  
might return  
`SEARCH:SEARCH1:TRIGger:A:DDRREADWRITE:REFLevel:DATA:HIG`  
`50E-3`, indicating that the DDR read/write search data high reference value is  
set to 50E-3.

## **SEARCH:SEARCH<x>:TRIGger:A:DDRREADWRITE:REFLevel:DATA:LOW**

This command sets or queries the DDR read/write data low reference level value,  
when the search type is DDR READWRITE.

|                         |                                                                                                                                                                                                                                                                                                                                                      |
|-------------------------|------------------------------------------------------------------------------------------------------------------------------------------------------------------------------------------------------------------------------------------------------------------------------------------------------------------------------------------------------|
| <b>Conditions</b>       | Requires option 6-DBDDR3.<br>Requires a 6 Series MSO instrument.<br>Set the DDR read/write reference level mode to Manual before using this command. See Related Commands.                                                                                                                                                                           |
| <b>Group</b>            | Search and Mark                                                                                                                                                                                                                                                                                                                                      |
| <b>Syntax</b>           | SEARCH:SEARCH<x>:TRIGger:A:DDRREADWRITE:REFLevel:DATA:LOW<NR3><br>SEARCH:SEARCH<x>:TRIGger:A:DDRREADWRITE:REFLevel:DATA:LOW?                                                                                                                                                                                                                         |
| <b>Related Commands</b> | <a href="#">SEARCH:SEARCH&lt;x&gt;:TRIGger:A:DDRREADWRITE:REFLEVELMode</a>                                                                                                                                                                                                                                                                           |
| <b>Arguments</b>        | <NR3> sets the DDR read/write search data low reference value.                                                                                                                                                                                                                                                                                       |
| <b>Examples</b>         | SEARCH:SEARCH2:TRIGger:A:DDRREADWRITE:REFLevel:DATA:LOW3.8E-3 sets the DDR read/write search data low reference value.<br><br>SEARCH:SEARCH1:TRIGger:A:DDRREAWRITE:REFLevel:DATA:LOW? might return SEARCH:SEARCH1:TRIGger:A:DDRREADWRITE:REFLevel:DATA:LOW50E-3, indicating that the DDR read/write search data low reference value is set to 50E-3. |

## SEARCH:SEARCH<x>:TRIGger:A:DDRREADWRITE:REFLevel:DATA:MID

This command sets or queries the DDR read/write data mid reference level value, when the search type is DDR READWRITE.

|                   |                                                                                                                                                                            |
|-------------------|----------------------------------------------------------------------------------------------------------------------------------------------------------------------------|
| <b>Conditions</b> | Requires option 6-DBDDR3.<br>Requires a 6 Series MSO instrument.<br>Set the DDR read/write reference level mode to Manual before using this command. See Related Commands. |
| <b>Group</b>      | Search and Mark                                                                                                                                                            |
| <b>Syntax</b>     | SEARCH:SEARCH<x>:TRIGger:A:DDRREADWRITE:REFLevel:DATA:MID<NR3><br>SEARCH:SEARCH<x>:TRIGger:A:DDRREADWRITE:REFLevel:DATA:MID?                                               |

**Related Commands**    [SEARCH:SEARCH<x>:TRIGger:A:DDRREADWRITE:REFLEVELMode](#)

**Arguments**    <NR3> sets the DDR read/write search data mid reference value.

**Examples**    SEARCH:SEARCH2:TRIGger:A:DDRREADWRITE:REFLeve1:DATA:MID  
3.8E-3 sets the DDR read/write search data mid reference value.

SEARCH:SEARCH1:TRIGger:A:DDRREAWRITE:REFLeve1:DATA:MID? might  
return SEARCH:SEARCH1:TRIGger:A:DDRREADWRITE:REFLeve1:DATA:MID  
50E-3, indicating that the DDR read/write search data mid reference value is  
set to 50E-3.

## SEARCH:SEARCH<x>:TRIGger:A:DDRREADWRITE:REFLevel:STROBE:HIGH

This command sets or queries the DDR read/write reference level strobe high value, when the search type is DDR READWRITE.

**Conditions**    Requires option 6-DBDDR3.

Requires a 6 Series MSO instrument.

Set the DDR read/write reference level mode to Manual before using this command. See Related Commands.

**Group**    Search and Mark

**Syntax**    SEARCH:SEARCH<x>:TRIGger:A:DDRREADWRITE:REFLeve1:STROBE:HIGH  
<NR3>  
SEARCH:SEARCH<x>:TRIGger:A:DDRREADWRITE:REFLeve1:STROBE:  
HIGH?

**Related Commands**    [SEARCH:SEARCH<x>:TRIGger:A:DDRREADWRITE:REFLEVELMode](#)

**Arguments**    <NR3> sets the DDR read search strobe high value.

**Examples**    SEARCH:SEARCH2:TRIGger:A:DDRREADWRITE:REFLeve1:STROBE:HIGH  
3.8E-3 sets the DDR read/write search strobe high value.

SEARCH:SEARCH1:TRIGger:A:DDRREADWRITE:REFLeve1:STROBE:HIGH?  
might return  
SEARCH:SEARCH1:TRIGger:A:DDRREADWRITE:REFLeve1:STROBE:HIGH  
50E-3, indicating that the DDR read/write search strobe high value is set to 50E-3.

**SEARCH:SEARCH<x>:TRIGger:A:DDRREADWRITE:REFLevel:STROBE:LOW**

This command sets or queries the DDR read/write reference level strobe low value, when the search type is DDR READWRITE.

|                         |                                                                                                                                                                                                                                                                                                                                                                                                |
|-------------------------|------------------------------------------------------------------------------------------------------------------------------------------------------------------------------------------------------------------------------------------------------------------------------------------------------------------------------------------------------------------------------------------------|
| <b>Conditions</b>       | <p>Requires option 6-DBDDR3.</p> <p>Requires a 6 Series MSO instrument.</p> <p>Set the DDR read/write reference level mode to Manual before using this command. See Related Commands.</p>                                                                                                                                                                                                      |
| <b>Group</b>            | Search and Mark                                                                                                                                                                                                                                                                                                                                                                                |
| <b>Syntax</b>           | <pre>SEARCH:SEARCH&lt;x&gt;:TRIGger:A:DDRREADWRITE:REFLevel:STROBE:LOW &lt;NR3&gt; SEARCH:SEARCH&lt;x&gt;:TRIGger:A:DDRREADWRITE:REFLevel:STROBE:LOW?</pre>                                                                                                                                                                                                                                    |
| <b>Related Commands</b> | <a href="#">SEARCH:SEARCH&lt;x&gt;:TRIGger:A:DDRREADWRITE:REFLEVELMode</a>                                                                                                                                                                                                                                                                                                                     |
| <b>Arguments</b>        | <NR3> sets the DDR read/write search strobe low reference value.                                                                                                                                                                                                                                                                                                                               |
| <b>Examples</b>         | <pre>SEARCH:SEARCH2:TRIGger:A:DDRREADWRITE:REFLevel:STROBE:LOW 3.8E-3</pre> <p>sets the DDR read/write search strobe low reference value.</p> <pre>SEARCH:SEARCH1:TRIGger:A:DDRREADWRITE:REFLevel:STROBE:LOW? might return SEARCH:SEARCH1:TRIGger:A:DDRREADWRITE:REFLevel:STROBE:LOW 50E-3,</pre> <p>indicating that the DDR read/write search strobe low reference value is set to 50E-3.</p> |

**SEARCH:SEARCH<x>:TRIGger:A:DDRREADWRITE:REFLevel:STROBE:MID**

This command sets or queries the DDR read/write reference level strobe mid value, when the search type is DDR READWRITE.

|                   |                                                                                                                                                                                           |
|-------------------|-------------------------------------------------------------------------------------------------------------------------------------------------------------------------------------------|
| <b>Conditions</b> | <p>Requires option 6-DBDDR3.</p> <p>Requires a 6 Series MSO instrument.</p> <p>Set the DDR read/write reference level mode to Manual before using this command. See Related Commands.</p> |
|-------------------|-------------------------------------------------------------------------------------------------------------------------------------------------------------------------------------------|

|                         |                                                                                                                                                                                                                                                                                                                                                                      |
|-------------------------|----------------------------------------------------------------------------------------------------------------------------------------------------------------------------------------------------------------------------------------------------------------------------------------------------------------------------------------------------------------------|
| <b>Group</b>            | Search and Mark                                                                                                                                                                                                                                                                                                                                                      |
| <b>Syntax</b>           | SEARCH:SEARCH<x>:TRIGger:A:DDRREADWRITE:REFLeve1:STROBE:MID<NR3><br>SEARCH:SEARCH<x>:TRIGger:A:DDRREADWRITE:REFLeve1:STROBE:MID?                                                                                                                                                                                                                                     |
| <b>Related Commands</b> | <a href="#">SEARCH:SEARCH&lt;x&gt;:TRIGger:A:DDRREADWRITE:REFLEVELMode</a>                                                                                                                                                                                                                                                                                           |
| <b>Arguments</b>        | <NR3> sets the DDR read/write search strobe mid reference value.                                                                                                                                                                                                                                                                                                     |
| <b>Examples</b>         | SEARCH:SEARCH2:TRIGger:A:DDRREADWRITE:REFLeve1:STROBE:MID 3.8E-3 sets the DDR read/write search strobe mid reference value.<br><br>SEARCH:SEARCH1:TRIGger:A:DDRREADWRITE:REFLeve1:STROBE:MID? might return<br>SEARCH:SEARCH1:TRIGger:A:DDRREADWRITE:REFLeve1:STROBE:MID 50E-3, indicating that the DDR read/write search strobe mid reference value is set to 50E-3. |

## SEARCH:SEARCH<x>:TRIGger:A:DDRREADWRITE:REFLEVELMode

This command sets or queries the DDR read/write reference level mode to auto or manual, when the search type is DDR READWRITE.

|                         |                                                                                                                                                                                                                                         |
|-------------------------|-----------------------------------------------------------------------------------------------------------------------------------------------------------------------------------------------------------------------------------------|
| <b>Conditions</b>       | Requires option 6-DBDDR3.<br>Requires a 6 Series MSO instrument.                                                                                                                                                                        |
| <b>Group</b>            | Search and Mark                                                                                                                                                                                                                         |
| <b>Syntax</b>           | SEARCH:SEARCH<x>:TRIGger:A:DDRREADWRITE:REFLEVELMode {AUTO MANUAL}<br>SEARCH:SEARCH<x>:TRIGger:A:DDRREADWRITE:REFLEVELMode?                                                                                                             |
| <b>Related Commands</b> | <a href="#">SEARCH:SEARCH&lt;x&gt;:TRIGger:A:DDRREAD:REFLevel:DATA:HIGH</a><br><a href="#">SEARCH:SEARCH&lt;x&gt;:TRIGger:A:DDRREAD:REFLevel:DATA:LOW</a><br><a href="#">SEARCH:SEARCH&lt;x&gt;:TRIGger:A:DDRREAD:REFLevel:DATA:MID</a> |

|                  |                                                                                                                                                                                                                                                                                                                                                                        |
|------------------|------------------------------------------------------------------------------------------------------------------------------------------------------------------------------------------------------------------------------------------------------------------------------------------------------------------------------------------------------------------------|
| <b>Arguments</b> | AUTO sets the DDR read/write reference level mode to auto.<br><br>MANUAL sets the DDR read/write reference level mode to manual. Use the Related Commands to set the Reference levels when in Manual mode.                                                                                                                                                             |
| <b>Examples</b>  | SEARCH:SEARCH3:TRIGger:A:DDRREADWRITE:REFLEVELMode MANUAL sets the DDR read/write search reference level mode to Manual for Search 3.<br><br>SEARCH:SEARCH1:TRIGger:A:DDRREADWRITE:REFLEVELMode? might return SEARCH:SEARCH1:TRIGger:A:DDRREADWRITE:REFLEVELMode MANUAL, indicating that the DDR read/write search reference level mode set to automatic for Search 1. |

## SEARCH:SEARCH<x>:TRIGger:A:DDRREADWRITE:STANdard

This command sets or queries the DDR read/write search standard as DDR3 or LPDDR3.

|                   |                                                                                                                                                                                                                                                                                                                         |
|-------------------|-------------------------------------------------------------------------------------------------------------------------------------------------------------------------------------------------------------------------------------------------------------------------------------------------------------------------|
| <b>Conditions</b> | Requires option 6-DBDDR3.<br><br>Requires a 6 Series MSO instrument.                                                                                                                                                                                                                                                    |
| <b>Group</b>      | Search and Mark                                                                                                                                                                                                                                                                                                         |
| <b>Syntax</b>     | SEARCH:SEARCH<x>:TRIGger:A:DDRREADWRITE:STANdard {DDR3 LPDDR3}<br>SEARCH:SEARCH<x>:TRIGger:A:DDRREADWRITE:STANdard?                                                                                                                                                                                                     |
| <b>Arguments</b>  | DDR3 sets the DDR read/write search standard as DDR3.<br><br>LPDDR3 sets the DDR read/write search standard as LPDDR3.                                                                                                                                                                                                  |
| <b>Examples</b>   | SEARCH:SEARCH2:TRIGger:A:DDRREADWRITE:STANdard DDR3 sets the DDR standard to DDR3 for DDR read/write Search 2.<br><br>SEARCH:SEARCH2:TRIGger:A:DDRREADWRITE:STANdard? might return SEARCH:SEARCH2:TRIGger:A:DDRREADWRITE:STANdard LPDDR3 indicating that the DDR standard is set to LPDDR3 for DDR read/write Search 2. |

## SEARCH:SEARCH<x>:TRIGger:A:DDRREADWRITE:STROBESource

This command sets or queries the DDR readwrite strobe source when the search type is DDR READWRITE.

|                   |                                                                                                                                                                                                                                                                                                                                                                                                                                                                                                                                                                                                                                                                                                                                      |
|-------------------|--------------------------------------------------------------------------------------------------------------------------------------------------------------------------------------------------------------------------------------------------------------------------------------------------------------------------------------------------------------------------------------------------------------------------------------------------------------------------------------------------------------------------------------------------------------------------------------------------------------------------------------------------------------------------------------------------------------------------------------|
| <b>Conditions</b> | <p>Requires option 6-DBDDR3.</p> <p>Requires a 6 Series MSO instrument.</p> <p>Load a reference waveform on the instrument before using this command to set the search data source to a reference waveform.</p>                                                                                                                                                                                                                                                                                                                                                                                                                                                                                                                      |
| <b>Group</b>      | Search and Mark                                                                                                                                                                                                                                                                                                                                                                                                                                                                                                                                                                                                                                                                                                                      |
| <b>Syntax</b>     | <pre>SEARCH:SEARCH&lt;x&gt;:TRIGger:A:DDRREADWRITE:STROBESource {CH&lt;x&gt; CH&lt;x&gt;_D&lt;x&gt; MATH&lt;x&gt; REF&lt;x&gt; REF&lt;x&gt;_D&lt;x&gt;} SEARCH:SEARCH&lt;x&gt;:TRIGger:A:DDRREADWRITE:STROBESource?</pre>                                                                                                                                                                                                                                                                                                                                                                                                                                                                                                            |
| <b>Arguments</b>  | <p>CH&lt;x&gt; specifies channel &lt;x&gt; as the DDR read/write strobe source for the specified search &lt;x&gt;.</p> <p>CH&lt;x&gt;_D&lt;x&gt; specifies digital waveform &lt;x&gt; of channel &lt;x&gt; as the DDR read/write strobe source for the specified search &lt;x&gt;.</p> <p>MATH&lt;x&gt; specifies math waveform &lt;x&gt; as the DDR read/write strobe source for the specified search &lt;x&gt;.</p> <p>REF&lt;x&gt; specifies reference waveform &lt;x&gt; as the DDR read/write strobe source for the specified search &lt;x&gt;.</p> <p>REF&lt;x&gt;_D&lt;x&gt; specifies digital waveform &lt;x&gt; of reference waveform &lt;x&gt; as the DDR read/write strobe source for the specified search &lt;x&gt;.</p> |
| <b>Examples</b>   | <p>SEARCH:SEARCH5:TRIGGER:A:DDRREADWRITE:STROBESource CH8 sets the Search 5 source waveform to Channel 8 for the DDR read/write strobe search.</p> <p>SEARCH:SEARCH1:TRIGGER:A:DDRREADWRITE:STROBESource? might return SEARCH:SEARCH1:TRIGGER:A:DDRREADWRITE:STROBESource CH3, indicating that the Channel 3 waveform is the source for the DDR read/write strobe of Search 1.</p>                                                                                                                                                                                                                                                                                                                                                   |

## SEARCH:SEARCH<x>:TRIGger:A:DDRREADWRITE:TOLERance

This command sets or queries the DDR read/write logic state tolerance value.

|                   |                                                                                                                                                                                |
|-------------------|--------------------------------------------------------------------------------------------------------------------------------------------------------------------------------|
| <b>Conditions</b> | <p>Requires option 6-DBDDR3.</p> <p>Requires a 6 Series MSO instrument.</p> <p>Set the DDR Read standard (DDR3 or LPDDR3) before using this command. See Related Commands.</p> |
|-------------------|--------------------------------------------------------------------------------------------------------------------------------------------------------------------------------|



Set burst detection method as "Logic State".

**Group** Search and Mark

**Syntax** SEARCH:SEARCH<x>:TRIGger:A:DDRREADWRITE:TOLERance <NR3>  
SEARCH:SEARCH<x>:TRIGger:A:DDRREADWRITE:TOLERance?

**Related Commands** [SEARCH:SEARCH<x>:TRIGger:A:DDRREADWRITE:BURSTDETECTmethod](#)

**Arguments** SEARCH<x> specifies the search number.  
<NR3> sets the logic state tolerance value.

**Examples** SEARCH:SEARCH1:TRIGger:A:DDRREADWRITE:TOLERance 400E-3 sets the DDRREADWRITE logic state tolerance value of search 1 to .004.  
  
SEARCH:SEARCH3:TRIGger:A:DDRREADWRITE:TOLERance? might return SEARCH:SEARCH3:TRIGger:A:DDRREADWRITE:TOLERance 500E-3, indicating that the DDRREADWRITE logic state tolerance value is set to 500E-3 for search 3.

## SEARCH:SEARCH<x>:TRIGger:A:DDRWRITE:BURSTDETECTmethod

This command sets or queries the DDRWRITE search burst detection method.

**Conditions** Requires option 6-DBDDR3.  
Requires a 6 Series MSO instrument.  
Set the DDR Read standard (DDR3 or LPDDR3) before using this command.  
See Related Commands.

**Group** Search and Mark

**Syntax** SEARCH:SEARCH<x>:TRIGger:A:DDRWRITE:BURSTDETECTmethod  
{DQDQS|Chipselect|LogicState}  
SEARCH:SEARCH<x>:TRIGger:A:DDRWRITE:BURSTDETECTmethod?

**Related Commands** [SEARCH:SEARCH<x>:TRIGger:A:DDRREADWRITE:STANdard](#)

|                  |                                                                                                                                                                                                                                                                                                                                                                                     |
|------------------|-------------------------------------------------------------------------------------------------------------------------------------------------------------------------------------------------------------------------------------------------------------------------------------------------------------------------------------------------------------------------------------|
| <b>Arguments</b> | <p>DQDQS sets the write burst detection method to DQDQS.</p> <p>ChipSelect sets the write burst detection method to ChipSelect.</p> <p>LogicState sets the write burst detection method to LogicState.</p>                                                                                                                                                                          |
| <b>Examples</b>  | <p>SEARCH:SEARCH1:TRIGger:A:DDRWRITE:BURSTDETECTmethod<br/>ChipSelect sets the burst detection method as ChipSelect, Latency + DQ/DQS<br/>Phase alignment.</p> <p>SEARCH:SEARCH1:TRIGger:A:DDRWRITE:BURSTDETECTmethod? might<br/>return SEARCH:SEARCH1:TRIGger:A:DDRWRITE:BURSTDETECTmethod<br/>ChipSelect, indicating that the DDR Write burst detection method is ChipSelect.</p> |

## SEARCH:SEARCH<x>:TRIGger:A:DDRWRITE:BURSTLatency

This command sets or queries the DDR write logic state burst latency value.

|                         |                                                                                                                                                                                                                                                                                                                                                 |
|-------------------------|-------------------------------------------------------------------------------------------------------------------------------------------------------------------------------------------------------------------------------------------------------------------------------------------------------------------------------------------------|
| <b>Conditions</b>       | <p>Requires option 6-DBDDR3.</p> <p>Requires a 6 Series MSO instrument.</p> <p>Set the DDR Read standard (DDR3 or LPDDR3) before using this command.<br/>See Related Commands.</p> <p>Set burst detection method as "Logic State".</p>                                                                                                          |
| <b>Group</b>            | Search and Mark                                                                                                                                                                                                                                                                                                                                 |
| <b>Syntax</b>           | <p>SEARCH:SEARCH&lt;x&gt;:TRIGger:A:DDRWRITE:BURSTLatency &lt;NR3&gt;<br/>SEARCH:SEARCH&lt;x&gt;:TRIGger:A:DDRWRITE:BURSTLatency?</p>                                                                                                                                                                                                           |
| <b>Related Commands</b> | <a href="#">SEARCH:SEARCH&lt;x&gt;:TRIGger:A:DDRWRITE:BURSTDETECTmethod</a>                                                                                                                                                                                                                                                                     |
| <b>Arguments</b>        | <p>SEARCH&lt;x&gt; specifies the search number.</p> <p>&lt;NR3&gt; sets the logic state burst latency value.</p>                                                                                                                                                                                                                                |
| <b>Examples</b>         | <p>SEARCH:SEARCH1:TRIGger:A:DDRWRITE:BURSTLatency 500E-3 sets the<br/>burst latency value of search 1 to .005.</p> <p>SEARCH:SEARCH3:TRIGger:A:DDRWRITE:BURSTLatency? might return<br/>SEARCH:SEARCH3:TRIGger:A:DDRWRITE:BURSTLatency 500E-3,<br/>indicating that the DDRWRITE logic burst latency value is set to 500E-3 for<br/>search 3.</p> |

## SEARCH:SEARCH<x>:TRIGger:A:DDRWRITE:BURSTLENGTH

This command sets or queries the DDR write logic state burst length value.

|                         |                                                                                                                                                                                                                                                                                                                                                     |
|-------------------------|-----------------------------------------------------------------------------------------------------------------------------------------------------------------------------------------------------------------------------------------------------------------------------------------------------------------------------------------------------|
| <b>Conditions</b>       | <p>Requires option 6-DBDDR3.</p> <p>Requires a 6 Series MSO instrument.</p> <p>Set the DDR Read standard (DDR3 or LPDDR3) before using this command. See Related Commands.</p> <p>Set burst detection method as "Logic State".</p>                                                                                                                  |
| <b>Group</b>            | Search and Mark                                                                                                                                                                                                                                                                                                                                     |
| <b>Syntax</b>           | <pre>SEARCH:SEARCH&lt;x&gt;:TRIGger:A:DDRWRITE:BURSTLENGTH &lt;NR1&gt; SEARCH:SEARCH&lt;x&gt;:TRIGger:A:DDRWRITE:BURSTLENGTH?</pre>                                                                                                                                                                                                                 |
| <b>Related Commands</b> | <a href="#">SEARCH:SEARCH&lt;x&gt;:TRIGger:A:DDRWRITE:BURSTDETECTmethod</a>                                                                                                                                                                                                                                                                         |
| <b>Arguments</b>        | <p>SEARCH&lt;x&gt; specifies the search number.</p> <p>NR1 sets the logic state burst length value.</p>                                                                                                                                                                                                                                             |
| <b>Examples</b>         | <p>SEARCH:SEARCH3:TRIGger:A:DDRWRITE:BURSTLENGTH 10 sets the DDRWRITE logic state burst length value of search 3 to 10 bursts.</p> <p>SEARCH:SEARCH1:TRIGger:A:DDRWRITE:BURSTLENGTH? might return SEARCH:SEARCH1:TRIGger:A:DDRWRITE:BURSTLENGTH 8, indicating that the DDRWRITE logic state burst length value is set to 8 bursts for search 1.</p> |

## SEARCH:SEARCH<x>:TRIGger:A:DDRWRITE:CSActive

This command sets or queries the DDR write chip select active state.

|                   |                                                                                                                                                                                                                                   |
|-------------------|-----------------------------------------------------------------------------------------------------------------------------------------------------------------------------------------------------------------------------------|
| <b>Conditions</b> | <p>Requires option 6-DBDDR3.</p> <p>Requires a 6 Series MSO instrument.</p> <p>Set the DDR Read standard (DDR3 or LPDDR3) before using this command. See Related Commands.</p> <p>Set burst detection method as "Chip Select"</p> |
|-------------------|-----------------------------------------------------------------------------------------------------------------------------------------------------------------------------------------------------------------------------------|

|                         |                                                                                                                                                                                                                                                                                                                    |
|-------------------------|--------------------------------------------------------------------------------------------------------------------------------------------------------------------------------------------------------------------------------------------------------------------------------------------------------------------|
| <b>Group</b>            | Search and Mark                                                                                                                                                                                                                                                                                                    |
| <b>Syntax</b>           | SEARCH:SEARCH<x>:TRIGger:A:DDRWRITE:CSActive {LOW HIGH}<br>SEARCH:SEARCH<x>:TRIGger:A:DDRWRITE:CSActive?                                                                                                                                                                                                           |
| <b>Related Commands</b> | <a href="#">SEARCH:SEARCH&lt;x&gt;:TRIGger:A:DDRWRITE:BURSTDETECTmethod</a>                                                                                                                                                                                                                                        |
| <b>Arguments</b>        | SEARCH<x> specifies the search number.<br>LOW sets the DDR write chip select active state to low.<br>HIGH sets the DDR write chip select active state to high.                                                                                                                                                     |
| <b>Examples</b>         | SEARCH:SEARCH2:TRIGger:A:DDRWRITE:CSActive LOW sets the<br>DDRWRITE chip select active state to LOW for search 2.<br>SEARCH:SEARCH4:TRIGger:A:DDRWRITE:CSActive? might return<br>SEARCH:SEARCH4:TRIGger:A:DDRWRITE:CSActive HIGH, indicating the<br>DDRWRITE chip select active state for search 4 is set to HIGH. |

## SEARCH:SEARCH<x>:TRIGger:A:DDRWRITE:CSLevel

This command sets or queries the DDR Write chip select level value.

|                         |                                                                                                                                                                                                                   |
|-------------------------|-------------------------------------------------------------------------------------------------------------------------------------------------------------------------------------------------------------------|
| <b>Conditions</b>       | Requires option 6-DBDDR3.<br>Requires a 6 Series MSO instrument.<br>Set the DDR Read standard (DDR3 or LPDDR3) before using this command.<br>See Related Commands.<br>Set burst detection method as "Chip Select" |
| <b>Group</b>            | Search and Mark                                                                                                                                                                                                   |
| <b>Syntax</b>           | SEARCH:SEARCH<x>:TRIGger:A:DDRWRITE:CSLevel <NR3><br>SEARCH:SEARCH<x>:TRIGger:A:DDRWRITE:CSLevel?                                                                                                                 |
| <b>Related Commands</b> | <a href="#">SEARCH:SEARCH&lt;x&gt;:TRIGger:A:DDRWRITE:BURSTDETECTmethod</a><br><a href="#">SEARCH:SEARCH&lt;x&gt;:TRIGger:A:DDRWRITE:CSMode</a>                                                                   |

|                  |                                                                                                                                                                                                                                                                                                              |
|------------------|--------------------------------------------------------------------------------------------------------------------------------------------------------------------------------------------------------------------------------------------------------------------------------------------------------------|
| <b>Arguments</b> | SEARCH<x> specifies the search number.<br><NR3> sets the DDR write chip select level value.                                                                                                                                                                                                                  |
| <b>Examples</b>  | SEARCH:SEARCH2:TRIGger:A:DDRWRITE:CSLevel 2.8E-3 sets the DDR write chip select level value to 2.8E-3<br><br>SEARCH:SEARCH5:TRIGger:A:DDRWRITE:CSLevel? might return SEARCH:SEARCH5:TRIGger:A:DDRWRITE:CSLevel 2.8E-3, indicating the DDR write search chip select level value for search 5 is set to 2.8E-3 |

## SEARCH:SEARCH<x>:TRIGger:A:DDRWRITE:CSMode

This command sets or queries the DDR Write chip select mode.

|                         |                                                                                                                                                                                                                                                                                                             |
|-------------------------|-------------------------------------------------------------------------------------------------------------------------------------------------------------------------------------------------------------------------------------------------------------------------------------------------------------|
| <b>Conditions</b>       | Requires option 6-DBDDR3.<br><br>Requires a 6 Series MSO instrument.<br><br>Set the DDR Read standard (DDR3 or LPDDR3) before using this command. See Related Commands.<br><br>Set burst detection method as "Chip Select"                                                                                  |
| <b>Group</b>            | Search and Mark                                                                                                                                                                                                                                                                                             |
| <b>Syntax</b>           | SEARCH:SEARCH<x>:TRIGger:A:DDRWRITE:CSMode {Auto Manual}<br>SEARCH:SEARCH<x>:TRIGger:A:DDRWRITE:CSMode?                                                                                                                                                                                                     |
| <b>Related Commands</b> | <a href="#">SEARCH:SEARCH&lt;x&gt;:TRIGger:A:DDRWRITE:BURSTDETECTmethod</a>                                                                                                                                                                                                                                 |
| <b>Arguments</b>        | SEARCH<x> specifies the search number.<br><br>Auto sets the DDR write chip select mode to auto.<br><br>Manual sets the DDR write chip select mode to manual. Use the Related Commands to set the Reference levels when in Manual mode.                                                                      |
| <b>Examples</b>         | SEARCH:SEARCH2:TRIGger:A:DDRWRITE:CSMode MANUAL sets the DDR write search chip select mode to Manual for search 2.<br><br>SEARCH:SEARCH3:TRIGger:A:DDRWRITE:CSMode? might return SEARCH:SEARCH3:TRIGger:A:DDRWRITE:CSMode Manual, indicating that the DDR write search 3 chip select mode is set to manual. |

## SEARCH:SEARCH<x>:TRIGger:A:DDRWRITE:CSSource

This command sets or queries the DDR Write search chip select source.

**Conditions** Requires option 6-DBDDR3.

Requires a 6 Series MSO instrument.

Set the DDR Read standard (DDR3 or LPDDR3) before using this command.  
See Related Commands.

**Group** Search and Mark

**Syntax** SEARCH:SEARCH<x>:TRIGger:A:DDRWRITE:CSSource  
{CH<x>|CH<x>\_D<x>|MATH<x>|REF<x>|REF<x>\_D<x>}  
SEARCH:SEARCH<x>:TRIGger:A:DDRWRITE:CSSource?

**Related Commands** [SEARCH:SEARCH<x>:TRIGger:A:DDRWRITE:BURSTDETECTmethod](#)

**Arguments** SEARCH<x> specifies the search number.

CH<x> specifies channel <x> as the DDR write chip select source for the specified search <x>.

CH<x>\_D<x> specifies digital waveform <x> of channel <x> as the DDR write strobe source for the specified search <x>.

MATH<x> specifies math waveform <x> as the DDR write chip select source for the specified search <x>.

REF<x> specifies reference waveform <x> as the DDR write chip select source for the specified search <x>.

REF<x>\_D<x> specifies digital waveform <x> of reference waveform <x> as the DDR write strobe source for the specified search <x>.

**Examples** SEARCH:SEARCH5:TRIGger:A:DDRWRITE:CSSource CH2 sets the search 5 chip select source waveform to CH2 for DDR write search.

SEARCH:SEARCH1:TRIGger:A:DDRWRITE:CSSource? might return  
SEARCH:SEARCH1:TRIGger:A:DDRWRITE:CSSource CH2, indicating that the Channel 2 waveform is the source for the DDR write chip select source of search 1.

## SEARCH:SEARCH<x>:TRIGger:A:DDRWRITE:DATARate

This command sets or queries the DDR write search data rate for DDR3 and LPDDR3 standards of the specified search.

The DDR3 standard supports the following data rates:  
800|1066|1333|1600|1866|2133.

The LPDDR3 standard supports the following data rates:  
333|800|1066|1200|1333|1466|1600|1866|2133.

|                         |                                                                                                                                                                                                                                                                                                                                                                     |
|-------------------------|---------------------------------------------------------------------------------------------------------------------------------------------------------------------------------------------------------------------------------------------------------------------------------------------------------------------------------------------------------------------|
| <b>Conditions</b>       | <p>Requires option 6-DBDDR3.</p> <p>Requires a 6 Series MSO instrument.</p> <p>Set the DDR Write standard (DDR3 or LPDDR3) before using this command. See Related Commands.</p>                                                                                                                                                                                     |
| <b>Group</b>            | Search and Mark                                                                                                                                                                                                                                                                                                                                                     |
| <b>Syntax</b>           | <pre>SEARCH:SEARCH&lt;x&gt;:TRIGger:A:DDRWRITE:DATARate {333 800 1066 1200 1333 1466 1600 1866 2133} SEARCH:SEARCH&lt;x&gt;:TRIGger:A:DDRWRITE:DATARate?</pre>                                                                                                                                                                                                      |
| <b>Related Commands</b> | <a href="#">SEARCH:SEARCH&lt;x&gt;:TRIGger:A:DDRWRITE:STANdard</a>                                                                                                                                                                                                                                                                                                  |
| <b>Arguments</b>        | <p>333 sets the data rate to 333.</p> <p>800 sets the data rate to 800.</p> <p>1066 sets the data rate to 1066.</p> <p>1200 sets the data rate to 1200.</p> <p>1333 sets the data rate to 1333.</p> <p>1466 sets the data rate to 1466.</p> <p>1600 sets the data rate to 1600.</p> <p>1866 sets the data rate to 1866.</p> <p>2133 sets the data rate to 2133.</p> |
| <b>Examples</b>         | <pre>SEARCH:SEARCH2:TRIGger:A:DDRWRITE:DATARate 1333</pre> <p>sets the data rate to 1333 for DDR read Search 2.</p>                                                                                                                                                                                                                                                 |

SEARCH:SEARCH7:TRIGger:A:DDRWRITE:DATARate? might return  
SEARCH:SEARCH7:TRIGger:A:DDRWRITE:DATARate 1466 indicating that  
the data rate for DDR read Search 7 is 1466.

## SEARCH:SEARCH<x>:TRIGger:A:DDRWRITE:DATASource

This command sets or queries the DDR write data source when the search type is  
DDR Write.

|                   |                                                                                                                                                                                                                                                                                                                                                                                                                                                                                                                                                                                         |
|-------------------|-----------------------------------------------------------------------------------------------------------------------------------------------------------------------------------------------------------------------------------------------------------------------------------------------------------------------------------------------------------------------------------------------------------------------------------------------------------------------------------------------------------------------------------------------------------------------------------------|
| <b>Conditions</b> | Requires option 6-DBDDR3<br><br>Requires 6 Series MSO instrument<br><br>Load a reference waveform on the instrument before using this command to set<br>the search data source to a reference waveform.                                                                                                                                                                                                                                                                                                                                                                                 |
| <b>Group</b>      | Search and Mark                                                                                                                                                                                                                                                                                                                                                                                                                                                                                                                                                                         |
| <b>Syntax</b>     | SEARCH:SEARCH<x>:TRIGger:A:DDRWRITE:DATASource<br>{CH<x> CH<x>_D<x> MATH<x> REF<x> REF<x>_D<x>}<br>SEARCH:SEARCH<x>:TRIGger:A:DDRWRITE:DATASource?                                                                                                                                                                                                                                                                                                                                                                                                                                      |
| <b>Arguments</b>  | CH<x> specifies channel <x> as the DDR write data source for the specified<br>search <x>.<br><br>CH<x>_D<x> specifies digital waveform <x> of channel <x> as the DDR write<br>data source for the specified search <x>.<br><br>MATH<x> specifies math waveform <x> as the DDR write data source for the<br>specified search <x>.<br><br>REF<x> specifies reference waveform <x> as the DDR write data source for the<br>specified search <x>.<br><br>REF<x>_D<x> specifies digital waveform <x> of reference waveform <x> as the<br>DDR write data source for the specified search <x>. |
| <b>Examples</b>   | SEARCH:SEARCH1:TRIGGER:A:WRITE:DATASource CH2 sets the search<br>1 source waveform to Channel 2 for the DDR write search.<br><br>SEARCH:SEARCH1:TRIGGER:A:DDRWRITE:DATASource? might return<br>SEARCH:SEARCH1:TRIGGER:A:DDRWRITE:DATASource RMATH3, indicating<br>that the Math 1 waveform DDR write trigger data is the source for search 1.                                                                                                                                                                                                                                           |



## SEARCH:SEARCH<x>:TRIGger:A:DDRWRITE:HYSteresis

This command sets or queries the DDR write hysteresis reference level value, when the search type is DDR WRITE.

**Conditions** Requires option 6-DBDDR3.  
Requires a 6 Series MSO instrument.  
Set the DDR write reference level mode to Manual before using this command. See Related Commands.

**Group** Search and Mark

**Syntax** SEARCH:SEARCH<x>:TRIGger:A:DDRWRITE:HYSteresis <NR3>  
SEARCH:SEARCH<x>:TRIGger:A:DDRWRITE:HYSteresis?

**Related Commands** [SEARCH:SEARCH<x>:TRIGger:A:DDRWRITE:REFLEVELMode](#)

**Arguments** <NR3> sets the DDR write search hysteresis percent value in the range of 0% to 50%.

**Examples** SEARCH:SEARCH2:TRIGger:A:DDRWRITE:HYSteresis 7 sets the DDR write search hysteresis value to 7%.

SEARCH:SEARCH1:TRIGger:A:DDRWRITE:HYSteresis? might return SEARCH:SEARCH1:TRIGger:A:DDRWRITE:HYSteresis 10, indicating that the DDR write search hysteresis value is set to 10%.

## SEARCH:SEARCH<x>:TRIGger:A:DDRWRITE:LOGIC1SOUrce:SYMBol

This command sets or queries the DDR write logic source 1 symbol.

**Conditions** Requires option 6-DBDDR3.  
Requires a 6 Series MSO instrument.  
Set the DDR Read standard (DDR3 or LPDDR3) before using this command. See Related Commands.  
Set burst detection method as "Logic State".

**Group** Search and Mark

**Syntax** SEARCH:SEARCH<x>:TRIGger:A:DDRWRITE:LOGIC1SOURCE:SYMBOL  
{H|L|X}  
SEARCH:SEARCH<x>:TRIGger:A:DDRWRITE:LOGIC1SOURCE:SYMBOL?

**Related Commands** [SEARCH:SEARCH<x>:TRIGger:A:DDRWRITE:BURSTDETECTmethod](#)

**Arguments** SEARCH<x> specifies the search number.  
H sets the logic source 1 symbol to H (High).  
L sets the logic source 1 symbol to L (Low).  
X sets the logic source 1 symbol to X (Don't care).

**Examples** SEARCH:SEARCH3:TRIGger:A:DDRWRITE:LOGIC1SOURCE:SYMBOL X sets the DDRWRITE logic source 1 symbol of search 3 to X (don't care)  
SEARCH:SEARCH1:TRIGger:A:DDRWRITE:LOGIC1SOURCE:SYMBOL? might return SEARCH:SEARCH1:TRIGger:A:DDRWRITE:LOGIC1SOURCE:SYMBOL L, indicating that the DDRWRITE logic source 1 symbol is set to Low for search 1.

## SEARCH:SEARCH<x>:TRIGger:A:DDRWRITE:LOGIC2SOURCE:SYMBOL

This command sets or queries the DDR write logic source 2 symbol.

**Conditions** Requires option 6-DBDDR3.  
Requires a 6 Series MSO instrument.  
Set the DDR Read standard (DDR3 or LPDDR3) before using this command.  
See Related Commands.  
Set burst detection method as "Logic State".

**Group** Search and Mark

**Syntax** SEARCH:SEARCH<x>:TRIGger:A:DDRWRITE:LOGIC2SOURCE:SYMBOL  
{H|L|X}  
SEARCH:SEARCH<x>:TRIGger:A:DDRWRITE:LOGIC2SOURCE:SYMBOL?

**Related Commands** [SEARCH:SEARCH<x>:TRIGger:A:DDRWRITE:BURSTDETECTmethod](#)

|                  |                                                                                                                                                                                                                                                                                                                                                         |
|------------------|---------------------------------------------------------------------------------------------------------------------------------------------------------------------------------------------------------------------------------------------------------------------------------------------------------------------------------------------------------|
| <b>Arguments</b> | <p>SEARCH&lt;x&gt; specifies the search number.</p> <p>H sets the logic source 2 symbol to H (High).</p> <p>L sets the logic source 2 symbol to L (Low).</p> <p>X sets the logic source 2 symbol to X (Don't care).</p>                                                                                                                                 |
| <b>Examples</b>  | <p>SEARCH:SEARCH3:TRIGger:A:DDRWRITE:LOGIC2SOURCE:SYMBOL X sets the DDRWRITE logic source 2 symbol of search 3 to X (don't care)</p> <p>SEARCH:SEARCH1:TRIGger:A:DDRWRITE:LOGIC2SOURCE:SYMBOL? might return SEARCH:SEARCH1:TRIGger:A:DDRWRITE:LOGIC2SOURCE:SYMBOL L, indicating that the DDRWRITE logic source 2 symbol is set to Low for search 1.</p> |

## SEARCH:SEARCH<x>:TRIGger:A:DDRWRITE:LOGIC3SOURCE:SYMBOL

This command sets or queries the DDR write logic source 3 symbol.

|                   |                                                                                                                                                                                                                                    |
|-------------------|------------------------------------------------------------------------------------------------------------------------------------------------------------------------------------------------------------------------------------|
| <b>Conditions</b> | <p>Requires option 6-DBDDR3.</p> <p>Requires a 6 Series MSO instrument.</p> <p>Set the DDR Read standard (DDR3 or LPDDR3) before using this command. See Related Commands.</p> <p>Set burst detection method as "Logic State".</p> |
| <b>Group</b>      | Search and Mark                                                                                                                                                                                                                    |
| <b>Syntax</b>     | <p>SEARCH:SEARCH&lt;x&gt;:TRIGger:A:DDRWRITE:LOGIC3SOURCE:SYMBOL {H L X}</p> <p>SEARCH:SEARCH&lt;x&gt;:TRIGger:A:DDRWRITE:LOGIC3SOURCE:SYMBOL?</p>                                                                                 |

**Related Commands** [SEARCH:SEARCH<x>:TRIGger:A:DDRWRITE:BURSTDETECTmethod](#)

|                  |                                                                                                                                                                                                                         |
|------------------|-------------------------------------------------------------------------------------------------------------------------------------------------------------------------------------------------------------------------|
| <b>Arguments</b> | <p>SEARCH&lt;x&gt; specifies the search number.</p> <p>H sets the logic source 3 symbol to H (High).</p> <p>L sets the logic source 3 symbol to L (Low).</p> <p>X sets the logic source 3 symbol to X (Don't care).</p> |
| <b>Examples</b>  | <p>SEARCH:SEARCH3:TRIGger:A:DDRWRITE:LOGIC3SOURCE:SYMBOL X sets the DDRWRITE logic source 3 symbol of search 3 to X (don't care)</p>                                                                                    |

SEARCH:SEARCH1:TRIGger:A:DDRWRITE:LOGIC3SOURCE:SYMBOL? might return SEARCH:SEARCH1:TRIGger:A:DDRWRITE:LOGIC3SOURCE:SYMBOL L, indicating that the DDRWRITE logic source 3 symbol is set to Low for search 1.

## SEARCH:SEARCH<x>:TRIGger:A:DDRWRITE:LOGIC4SOURCE:SYMBOL

This command sets or queries the DDR write logic source 4 symbol.

**Conditions** Requires option 6-DBDDR3.

Requires a 6 Series MSO instrument.

Set the DDR Read standard (DDR3 or LPDDR3) before using this command.  
See Related Commands.

Set burst detection method as "Logic State".

**Group** Search and Mark

**Syntax** SEARCH:SEARCH<x>:TRIGger:A:DDRWRITE:LOGIC4SOURCE:SYMBOL  
{H|L|X}  
SEARCH:SEARCH<x>:TRIGger:A:DDRWRITE:LOGIC4SOURCE:SYMBOL?

**Related Commands** [SEARCH:SEARCH<x>:TRIGger:A:DDRWRITE:BURSTDETECTmethod](#)

**Arguments** SEARCH<x> specifies the search number.  
H sets the logic source 4 symbol to H (High).  
L sets the logic source 4 symbol to L (Low).  
X sets the logic source 4 symbol to X (Don't care).

**Examples** SEARCH:SEARCH3:TRIGger:A:DDRWRITE:LOGIC4SOURCE:SYMBOL X sets the DDRWRITE logic source 4 symbol of search 3 to X (don't care)  
SEARCH:SEARCH1:TRIGger:A:DDRWRITE:LOGIC4SOURCE:SYMBOL? might return SEARCH:SEARCH1:TRIGger:A:DDRWRITE:LOGIC4SOURCE:SYMBOL L, indicating that the DDRWRITE logic source 4 symbol is set to Low for search 1.

## SEARCH:SEARCH<x>:TRIGger:A:DDRWRITE:MARGIN

This command sets or queries the DDR write margin reference level value, when the search type is DDR WRITE.

**Conditions** Requires option 6-DBDDR3.  
 Requires a 6 Series MSO instrument.  
 Set the DDR write reference level mode to Manual before using this command.  
 See Related Commands.

**Group** Search and Mark

**Syntax** SEARCH:SEARCH<x>:TRIGger:A:DDRWRITE:MARgin <NR3>  
 SEARCH:SEARCH<x>:TRIGger:A:DDRWRITE:MARgin?

**Related Commands** [SEARCH:SEARCH<x>:TRIGger:A:DDRWRITE:REFLEVELMode](#)

**Arguments** <NR3> sets the DDR write search margin percent value in the range of 0% to 100%.

**Examples** SEARCH:SEARCH2:TRIGger:A:DDRWRITE:MARgin 11 sets the DDR write search margin value to 11%.  
 SEARCH:SEARCH1:TRIGger:A:DDRWRITE:MARgin? might return  
 SEARCH:SEARCH1:TRIGger:A:DDRWRITE:MARgin 5, indicating that the DDR write search margin value is set to 5%.

## SEARCH:SEARCH<x>:TRIGger:A:DDRWRITE:MAXCAS

This command sets or queries the DDR write chip select maximum Column Access Strobe (CAS) value.

**Conditions** Requires option 6-DBDDR3.  
 Requires a 6 Series MSO instrument.  
 Set the DDR Read standard (DDR3 or LPDDR3) before using this command.  
 See Related Commands.  
 Set burst detection method as "Chip Select".

**Group** Search and Mark

**Syntax** SEARCH:SEARCH<x>:TRIGger:A:DDRWRITE:MAXCAS <NR3>  
 SEARCH:SEARCH<x>:TRIGger:A:DDRWRITE:MAXCAS?

|                         |                                                                                                                                                                                                                                                                                                                                                      |
|-------------------------|------------------------------------------------------------------------------------------------------------------------------------------------------------------------------------------------------------------------------------------------------------------------------------------------------------------------------------------------------|
| <b>Related Commands</b> | <a href="#">SEARCH:SEARCH&lt;x&gt;:TRIGger:A:DDRWRITE:BURSTDETECTmethod</a>                                                                                                                                                                                                                                                                          |
| <b>Arguments</b>        | SEARCH<x> specifies the search number.<br><NR3> sets the DDR write chip select CAS maximum value.                                                                                                                                                                                                                                                    |
| <b>Examples</b>         | EARCH:SEARCH1:TRIGger:A:DDRWRITE:MAXCAS 3.8E-3 sets the DDR write chip select CAS maximum value to 3.8 milliseconds for search 1.<br>SEARCH:SEARCH2:TRIGger:A:DDRWRITE:MAXCAS? might return<br>SEARCH:SEARCH2:TRIGger:A:DDRWRITE:MAXCAS 3.8E-3, indicating that the DDR write chip select CAS maximum value is set to 3.8 milliseconds for search 2. |

## SEARCH:SEARCH<x>:TRIGger:A:DDRWRITE:MINCas

This command sets or queries the DDR write chip select minimum Column Access Strobe (CAS) value.

|                   |                                                                                                                                                                                                                 |
|-------------------|-----------------------------------------------------------------------------------------------------------------------------------------------------------------------------------------------------------------|
| <b>Conditions</b> | Requires option 6-DBDDR3.<br>Requires a 6 Series MSO instrument.<br>Set the DDR Read standard (DDR3 or LPDDR3) before using this command. See Related Commands.<br>Set burst detection method as "Chip Select". |
| <b>Group</b>      | Search and Mark                                                                                                                                                                                                 |
| <b>Syntax</b>     | SEARCH:SEARCH<x>:TRIGger:A:DDRWRITE:MINCas <NR3><br>SEARCH:SEARCH<x>:TRIGger:A:DDRWRITE:MINCas?                                                                                                                 |

|                         |                                                                                                                                                                                                                                                                 |
|-------------------------|-----------------------------------------------------------------------------------------------------------------------------------------------------------------------------------------------------------------------------------------------------------------|
| <b>Related Commands</b> | <a href="#">SEARCH:SEARCH&lt;x&gt;:TRIGger:A:DDRWRITE:BURSTDETECTmethod</a>                                                                                                                                                                                     |
| <b>Arguments</b>        | SEARCH<x> specifies the search number.<br><NR3> sets the DDR write chip select CAS minimum value.                                                                                                                                                               |
| <b>Examples</b>         | EARCH:SEARCH1:TRIGger:A:DDRWRITE:MINCas 3.8E-3 sets the DDR write chip select CAS minimum value to 3.8 milliseconds for search 1.<br>SEARCH:SEARCH2:TRIGger:A:DDRWRITE:MINCas? might return<br>SEARCH:SEARCH2:TRIGger:A:DDRWRITE:MINCas 3.8E-3, indicating that |

the DDR write chip select CAS minimum value is set to 3.8 milliseconds for search 2.

## SEARCH:SEARCH<x>:TRIGger:A:DDRWRITE:POSTAMBLE:LENGth

This command sets or queries the DDR write postamble length when the search type is DDR WRITE.

|                   |                                                                                                                                                                                                                                                                                                                                    |
|-------------------|------------------------------------------------------------------------------------------------------------------------------------------------------------------------------------------------------------------------------------------------------------------------------------------------------------------------------------|
| <b>Conditions</b> | Requires option 6-DBDDR3.<br>Requires a 6 Series MSO instrument.                                                                                                                                                                                                                                                                   |
| <b>Group</b>      | Search and Mark                                                                                                                                                                                                                                                                                                                    |
| <b>Syntax</b>     | SEARCH:SEARCH<x>:TRIGger:A:DDRWRITE:POSTAMBLE:LENGth<br>{500E-3 500E-1.5 500E-1}<br>SEARCH:SEARCH<x>:TRIGger:A:DDRWRITE:POSTAMBLE:LENGth?                                                                                                                                                                                          |
| <b>Arguments</b>  | 500E-1.5 sets the postamble length to 1.5 tCK (number of clock cycles).<br>500E-1 sets the postamble length to 1 tCK (number of clock cycles).<br>500E-3 sets the postamble length to 0.5 tCK (number of clock cycles).                                                                                                            |
| <b>Examples</b>   | SEARCH:SEARCH6:TRIGger:A:DDRWRITE:POSTAMBLE:LENGth 500E-3 sets the DDR write postamble length for Search 6 to 0.5 tCK.<br><br>SEARCH:SEARCH2:TRIGger:A:DDRWRITE:POSTAMBLE:LENGth? might return SEARCH:SEARCH2:TRIGger:A:DDRWRITE:POSTAMBLE:LENGth 500E-1, indicating that the write postamble length for Search 2 is set to 1 tCK. |

## SEARCH:SEARCH<x>:TRIGger:A:DDRWRITE:PREAMBLE:TYPE

This command sets or queries the DDR write preamble type when the search type is DDR WRITE.

|                   |                                                                  |
|-------------------|------------------------------------------------------------------|
| <b>Conditions</b> | Requires option 6-DBDDR3.<br>Requires a 6 Series MSO instrument. |
| <b>Group</b>      | Search and Mark                                                  |

**Syntax** SEARCH:SEARCH<x>:TRIGger:A:DDRWRITE:PREAMBLE:TYPE  
{STATIC|DYNAMIC}  
SEARCH:SEARCH<x>:TRIGger:A:DDRWRITE:PREAMBLE:TYPE?

**Arguments** STATIC sets the DDR Write preamble type to Static.  
DYNAMIC sets the DDR Write preamble type to Dynamic.

**Examples** SEARCH:SEARCH1:TRIGger:A:DDRWRITE:PREAMBLE:TYPE STATIC sets the DDR write preamble type to Static for Search 1.  
SEARCH:SEARCH4:TRIGger:A:DDRWRITE:PREAMBLE:TYPE? might return SEARCH:SEARCH4:TRIGger:A:DDRWRITE:PREAMBLE:TYPE DYNAMIC, indicating that the DDR write preamble type for Search 4 is set to dynamic mode.

## SEARCH:SEARCH<x>:TRIGger:A:DDRWRITE:REFLevel:DATA:HIGH

This command sets or queries the DDR write data high reference level value, when the search type is DDR WRITE.

**Conditions** Requires option 6-DBDDR3.  
Requires a 6 Series MSO instrument.  
Set the DDR write reference level mode to Manual before using this command. See Related Commands.

**Group** Search and Mark

**Syntax** SEARCH:SEARCH<x>:TRIGger:A:DDRWRITE:REFLevel:DATA:HIGH <NR3>  
SEARCH:SEARCH<x>:TRIGger:A:DDRWRITE:REFLevel:DATA:HIGH?

**Related Commands** [SEARCH:SEARCH<x>:TRIGger:A:DDRWRITE:REFLEVELMode](#)

**Arguments** <NR3> sets the DDR read search data high reference value.

**Examples** SEARCH:SEARCH2:TRIGger:A:DDRWRITE:REFLevel:DATA:HIGH 3.8E-3 sets the DDR write search data high reference value.  
SEARCH:SEARCH1:TRIGger:A:DDRWRITE:REFLevel:DATA:HIGH? might return SEARCH:SEARCH1:TRIGger:A:DDRWRITE:REFLevel:DATA:HIGH 50E-3, indicating that the DDR write search data high reference value is set to 50E-3.



**SEARCH:SEARCH<x>:TRIGger:A:DDRWRITE:REFLevel:DATA:LOW**

This command sets or queries the DDR write data low reference level value, when the search type is DDR WRITE.

|                         |                                                                                                                                                                                                                                                                                                                                   |
|-------------------------|-----------------------------------------------------------------------------------------------------------------------------------------------------------------------------------------------------------------------------------------------------------------------------------------------------------------------------------|
| <b>Conditions</b>       | Requires option 6-DBDDR3.<br>Requires a 6 Series MSO instrument.<br>Set the DDR write reference level mode to Manual before using this command. See Related Commands.                                                                                                                                                             |
| <b>Group</b>            | Search and Mark                                                                                                                                                                                                                                                                                                                   |
| <b>Syntax</b>           | SEARCH:SEARCH<x>:TRIGger:A:DDRWRITE:REFLevel:DATA:LOW <NR3><br>SEARCH:SEARCH<x>:TRIGger:A:DDRWRITE:REFLevel:DATA:LOW?                                                                                                                                                                                                             |
| <b>Related Commands</b> | <a href="#">SEARCH:SEARCH&lt;x&gt;:TRIGger:A:DDRWRITE:REFLEVELMode</a>                                                                                                                                                                                                                                                            |
| <b>Arguments</b>        | <NR3> sets the DDR read search data low reference value.                                                                                                                                                                                                                                                                          |
| <b>Examples</b>         | SEARCH:SEARCH2:TRIGger:A:DDRWRITE:REFLevel:DATA:LOW 3.8E-3 sets the DDR write search data low reference value.<br><br>SEARCH:SEARCH1:TRIGger:A:DDRWRITE:REFLevel:DATA:LOW? might return SEARCH:SEARCH1:TRIGger:A:DDRWRITE:REFLevel:DATA:LOW 50E-3, indicating that the DDR write search data low reference value is set to 50E-3. |

**SEARCH:SEARCH<x>:TRIGger:A:DDRWRITE:REFLevel:DATA:MID**

This command sets or queries the DDR write data mid reference level value, when the search type is DDR WRITE.

|                   |                                                                                                                                                                       |
|-------------------|-----------------------------------------------------------------------------------------------------------------------------------------------------------------------|
| <b>Conditions</b> | Requires option 6-DBDDR3.<br>Requires a 6 Series MSO instrument.<br>Set the DDR write reference level mode to Manual before using this command. See Related Commands. |
| <b>Group</b>      | Search and Mark                                                                                                                                                       |

**Syntax** SEARCH:SEARCH<x>:TRIGger:A:DDRWRITE:REFLeve1:DATA:MID <NR3>  
SEARCH:SEARCH<x>:TRIGger:A:DDRWRITE:REFLeve1:DATA:MID?

**Related Commands** [SEARCH:SEARCH<x>:TRIGger:A:DDRWRITE:REFLEVELMode](#)

**Arguments** <NR3> sets the DDR read search data mid reference value.

**Examples** SEARCH:SEARCH2:TRIGger:A:DDRWRITE:REFLeve1:DATA:MID 3.8E-3  
sets the DDR write search data mid reference value.

SEARCH:SEARCH1:TRIGger:A:DDRWRITE:REFLeve1:DATA:MID? might  
return SEARCH:SEARCH1:TRIGger:A:DDRWRITE:REFLeve1:DATA:MID  
50E-3, indicating that the DDR write search data mid reference value is set to  
50E-3.

## SEARCH:SEARCH<x>:TRIGger:A:DDRWRITE:REFLevel:STROBE:HIGH

This command sets or queries the DDR write reference level strobe high value,  
when the search type is DDR WRITE.

**Conditions** Requires option 6-DBDDR3.

Requires a 6 Series MSO instrument.

Set the DDR write reference level mode to Manual before using this command.  
See Related Commands.

**Group** Search and Mark

**Syntax** SEARCH:SEARCH<x>:TRIGger:A:DDRWRITE:REFLeve1:STROBE:HIGH  
<NR3>  
SEARCH:SEARCH<x>:TRIGger:A:DDRWRITE:REFLeve1:STROBE:HIGH?

**Related Commands** [SEARCH:SEARCH<x>:TRIGger:A:DDRWRITE:REFLEVELMode](#)

**Arguments** <NR3> sets the DDR write search strobe high value.

**Examples** SEARCH:SEARCH2:TRIGger:A:DDRWRITE:REFLeve1:STROBE:HIGH  
3.8E-3 sets the DDR write search strobe high value.

SEARCH:SEARCH1:TRIGger:A:DDRWRITE:REFLevel:STROBE:HIGh? might return SEARCH:SEARCH1:TRIGger:A:DDRWRITE:REFLevel:STROBE:HIGh 50E-3, indicating that the DDR write search strobe high value is set to 50E-3.

## SEARCH:SEARCH<x>:TRIGger:A:DDRWRITE:REFLevel:STROBE:LOW

This command sets or queries the DDR write reference level strobe low value, when the search type is DDR WRITE.

**Conditions** Requires option 6-DBDDR3.  
Requires a 6 Series MSO instrument.  
Set the DDR write reference level mode to Manual before using this command. See Related Commands.

**Group** Search and Mark

**Syntax** SEARCH:SEARCH<x>:TRIGger:A:DDRWRITE:REFLevel:STROBE:LOW <NR3>  
SEARCH:SEARCH<x>:TRIGger:A:DDRWRITE:REFLevel:STROBE:LOW?

**Related Commands** [SEARCH:SEARCH<x>:TRIGger:A:DDRWRITE:REFLEVELMode](#)

**Arguments** <NR3> sets the DDR read search strobe low reference value.

**Examples** SEARCH:SEARCH2:TRIGger:A:DDRWRITE:REFLevel:STROBE:LOW 3.8E-3 sets the DDR write search strobe low reference value.

SEARCH:SEARCH1:TRIGger:A:DDRWRITE:REFLevel:STROBE:LOW? might return SEARCH:SEARCH1:TRIGger:A:DDRWRITE:REFLevel:STROBE:LOW 50E-3, indicating that the DDR write search strobe low reference value is set to 50E-3.

## SEARCH:SEARCH<x>:TRIGger:A:DDRWRITE:REFLevel:STROBE:MID

This command sets or queries the DDR write reference level strobe mid value, when the search type is DDR WRITE.

**Conditions** Requires option 6-DBDDR3.  
Requires a 6 Series MSO instrument.

Set the DDR write reference level mode to Manual before using this command.  
See Related Commands.

**Group** Search and Mark

**Syntax** SEARCH:SEARCH<x>:TRIGger:A:DDRWRITE:REFLeve1:STROBE:MID  
<NR3>  
SEARCH:SEARCH<x>:TRIGger:A:DDRWRITE:REFLeve1:STROBE:MID?

**Related Commands** [SEARCH:SEARCH<x>:TRIGger:A:DDRWRITE:REFLEVELMode](#)

**Arguments** <NR3> sets the DDR read search strobe mid reference value.

**Examples** SEARCH:SEARCH2:TRIGger:A:DDRWRITE:REFLeve1:STROBE:MID 3.8E-3  
sets the DDR write search strobe mid reference value.

SEARCH:SEARCH1:TRIGger:A:DDRWRITE:REFLeve1:STROBE:MID? might  
return SEARCH:SEARCH1:TRIGger:A:DDRWRITE:REFLeve1:STROBE:MID  
50E-3, indicating that the DDR write search strobe mid reference value is set  
to 50E-3.

## SEARCH:SEARCH<x>:TRIGger:A:DDRWRITE:REFLEVELMode

This command sets or queries the DDR write reference level mode to auto or manual, when the search type is DDR WRITE.

**Conditions** Requires option 6-DBDDR3.  
Requires a 6 Series MSO instrument.

**Group** Search and Mark

**Syntax** SEARCH:SEARCH<x>:TRIGger:A:DDRWRITE:REFLEVELMode  
{AUTO|MANUAL}  
SEARCH:SEARCH<x>:TRIGger:A:DDRWRITE:REFLEVELMode?

**Related Commands** [SEARCH:SEARCH<x>:TRIGger:A:DDRREAD:REFLevel:DATA:HIGH](#)  
[SEARCH:SEARCH<x>:TRIGger:A:DDRREAD:REFLevel:DATA:LOW](#)  
[SEARCH:SEARCH<x>:TRIGger:A:DDRREAD:REFLevel:DATA:MID](#)

|                  |                                                                                                                                                                                                                                                                                                                                                  |
|------------------|--------------------------------------------------------------------------------------------------------------------------------------------------------------------------------------------------------------------------------------------------------------------------------------------------------------------------------------------------|
| <b>Arguments</b> | AUTO sets the DDR write reference level mode to auto.<br><br>MANUAL sets the DDR write reference level mode to manual. Use the Related Commands to set the Reference levels when in Manual mode.                                                                                                                                                 |
| <b>Examples</b>  | SEARCH:SEARCH3:TRIGger:A:DDRWRITE:REFLEVELMode MANUAL sets the DDR write search reference level mode to Manual for Search 3.<br><br>SEARCH:SEARCH1:TRIGger:A:DDRWRITE:REFLEVELMode? might return SEARCH:SEARCH1:TRIGger:A:DDRWRITE:REFLEVELMode MANUAL, indicating that the DDR write search reference level mode set to automatic for Search 1. |

## SEARCH:SEARCH<x>:TRIGger:A:DDRWRITE:STANdard

This command sets or queries the DDR write search standard as DDR3 or LPDDR3.

|                   |                                                                                                                                                                                                                                                                                                   |
|-------------------|---------------------------------------------------------------------------------------------------------------------------------------------------------------------------------------------------------------------------------------------------------------------------------------------------|
| <b>Conditions</b> | Requires option 6-DBDDR3<br><br>Requires 6 Series MSO instrument                                                                                                                                                                                                                                  |
| <b>Group</b>      | Search and Mark                                                                                                                                                                                                                                                                                   |
| <b>Syntax</b>     | SEARCH:SEARCH<x>:TRIGger:A:DDRWRITE:STANdard {DDR3 LPDDR3}<br>SEARCH:SEARCH<x>:TRIGger:A:DDRWRITE:STANdard?                                                                                                                                                                                       |
| <b>Arguments</b>  | DDR3 sets the DDR write search standard as DDR3.<br><br>LPDDR3 sets the DDR write search standard as LPDDR3.                                                                                                                                                                                      |
| <b>Examples</b>   | SEARCH:SEARCH2:TRIGger:A:DDRWRITE:STANdard DDR3 sets the DDR standard to DDR3 for DDR write Search 2.<br><br>SEARCH:SEARCH5:TRIGger:A:DDRWRITE:STANdard? might return SEARCH:SEARCH5:TRIGger:A:DDRWRITE:STANdard LPDDR3 indicating that the DDR standard is set to LPDDR3 for DDR write Search 5. |

## SEARCH:SEARCH<x>:TRIGger:A:DDRWRITE:STROBESource

This command sets or queries the DDR write strobe source when the search type is DDR Write.

|                   |                                                                                                                                                                                                                                                                                                                                                                                                                                                                                                                                                                                                                                                                                                             |
|-------------------|-------------------------------------------------------------------------------------------------------------------------------------------------------------------------------------------------------------------------------------------------------------------------------------------------------------------------------------------------------------------------------------------------------------------------------------------------------------------------------------------------------------------------------------------------------------------------------------------------------------------------------------------------------------------------------------------------------------|
| <b>Conditions</b> | <p>Requires option 6-DBDDR3</p> <p>Requires 6 Series MSO instrument</p> <p>Load a reference waveform on the instrument before using this command to set the search data source to a reference waveform.</p>                                                                                                                                                                                                                                                                                                                                                                                                                                                                                                 |
| <b>Group</b>      | Search and Mark                                                                                                                                                                                                                                                                                                                                                                                                                                                                                                                                                                                                                                                                                             |
| <b>Syntax</b>     | <pre>SEARCH:SEARCH&lt;x&gt;:TRIGger:A:DDRWRITE:STROBESource {CH&lt;x&gt; CH&lt;x&gt;_D&lt;x&gt; MATH&lt;x&gt; REF&lt;x&gt; REF&lt;x&gt;_D&lt;x&gt;} SEARCH:SEARCH&lt;x&gt;:TRIGger:A:DDRWRITE:STROBESource?</pre>                                                                                                                                                                                                                                                                                                                                                                                                                                                                                           |
| <b>Arguments</b>  | <p>CH&lt;x&gt; specifies channel &lt;x&gt; as the DDR write strobe source for the specified search &lt;x&gt;.</p> <p>CH&lt;x&gt;_D&lt;x&gt; specifies digital waveform &lt;x&gt; of channel &lt;x&gt; as the DDR write strobe source for the specified search &lt;x&gt;.</p> <p>MATH&lt;x&gt; specifies math waveform &lt;x&gt; as the DDR write strobe source for the specified search &lt;x&gt;.</p> <p>REF&lt;x&gt; specifies reference waveform &lt;x&gt; as the DDR write strobe source for the specified search &lt;x&gt;.</p> <p>REF&lt;x&gt;_D&lt;x&gt; specifies digital waveform &lt;x&gt; of reference waveform &lt;x&gt; as the DDR write strobe source for the specified search &lt;x&gt;.</p> |
| <b>Examples</b>   | <p>SEARCH:SEARCH2:TRIGGER:A:DDRWRITE:STROBESource MATH4 sets the Search 2 source waveform to Math 4 for the DDR write strobe search.</p> <p>SEARCH:SEARCH1:TRIGGER:A:DDRWRITE:STROBESource? might return SEARCH:SEARCH1:TRIGGER:A:DDRWRITE:STROBESource CH3, indicating that the Channel 3 waveform is the source for the DDR write strobe of Search 1.</p>                                                                                                                                                                                                                                                                                                                                                 |

## SEARCH:SEARCH<x>:TRIGger:A:DDRWRITE:TOLERance

This command sets or queries the DDR write logic state tolerance value.

|                   |                                                                                                                                                                                                                                    |
|-------------------|------------------------------------------------------------------------------------------------------------------------------------------------------------------------------------------------------------------------------------|
| <b>Conditions</b> | <p>Requires option 6-DBDDR3.</p> <p>Requires a 6 Series MSO instrument.</p> <p>Set the DDR Read standard (DDR3 or LPDDR3) before using this command. See Related Commands.</p> <p>Set burst detection method as "Logic State".</p> |
|-------------------|------------------------------------------------------------------------------------------------------------------------------------------------------------------------------------------------------------------------------------|

|                         |                                                                                                                                                                                                                                                                                                                                    |
|-------------------------|------------------------------------------------------------------------------------------------------------------------------------------------------------------------------------------------------------------------------------------------------------------------------------------------------------------------------------|
| <b>Group</b>            | Search and Mark                                                                                                                                                                                                                                                                                                                    |
| <b>Syntax</b>           | SEARCH:SEARCH<x>:TRIGger:A:DDRWRITE:TOLERance <NR3><br>SEARCH:SEARCH<x>:TRIGger:A:DDRWRITE:TOLERance?                                                                                                                                                                                                                              |
| <b>Related Commands</b> | <a href="#">SEARCH:SEARCH&lt;x&gt;:TRIGger:A:DDRWRITE:BURSTDETECTmethod</a>                                                                                                                                                                                                                                                        |
| <b>Arguments</b>        | SEARCH<x> specifies the search number.<br><NR3> sets the logic state tolerance value.                                                                                                                                                                                                                                              |
| <b>Examples</b>         | SEARCH:SEARCH3:TRIGger:A:DDRWRITE:TOLERance 400E-3 sets the DDRWRITE logic state tolerance value of search 3 to .004.<br><br>SEARCH:SEARCH1:TRIGger:A:DDRWRITE:TOLERance? might return SEARCH:SEARCH1:TRIGger:A:DDRWRITE:TOLERance 500E-3, indicating that the DDRWRITE logic state tolerance value is set to 500E-3 for search 1. |

## SEARCH:SEARCH<x>:TRIGger:A:EDGE:SLOpe

This command sets or queries the slope for an edge trigger search to determine where to place a mark. The search number is specified by x.

|                  |                                                                                                                                                                                                                                                  |
|------------------|--------------------------------------------------------------------------------------------------------------------------------------------------------------------------------------------------------------------------------------------------|
| <b>Group</b>     | Search and Mark                                                                                                                                                                                                                                  |
| <b>Syntax</b>    | SEARCH:SEARCH<x>:TRIGger:A:EDGE:SLOpe {RISe FALL EITHer}<br>SEARCH:SEARCH<x>:TRIGger:A:EDGE:SLOpe?                                                                                                                                               |
| <b>Arguments</b> | RISe specifies a rising edge.<br>FALL specifies a falling edge.<br>EITHer specifies either rising or falling edge.                                                                                                                               |
| <b>Examples</b>  | SEARCH:SEARCH1:TRIGGER:A:EDGE:SLOPE RISE sets the slope for search 1 to rise.<br><br>SEARCH:SEARCH1:TRIGGER:A:EDGE:SLOPE? might return SEARCH:SEARCH1:TRIGGER:A:EDGE:SLOPE RISE, indicating that the slope for the trigger for search 1 is rise. |

## SEARCH:SEARCH<x>:TRIGger:A:EDGE:SOURce

This command sets or queries the source waveform for an edge trigger search to determine where to place a mark. The search number is specified by x.

|                  |                                                                                                                                                                                                                                                                                                                                                                                                                                                                                                                                                                                                      |
|------------------|------------------------------------------------------------------------------------------------------------------------------------------------------------------------------------------------------------------------------------------------------------------------------------------------------------------------------------------------------------------------------------------------------------------------------------------------------------------------------------------------------------------------------------------------------------------------------------------------------|
| <b>Group</b>     | Search and Mark                                                                                                                                                                                                                                                                                                                                                                                                                                                                                                                                                                                      |
| <b>Syntax</b>    | SEARCH:SEARCH<x>:TRIGger:A:EDGE:SOURce<br>{CH<x> CH<x>_D<x> MATH<x> REF<x> REF<x>_D<x>}<br>SEARCH:SEARCH<x>:TRIGger:A:EDGE:SOURce?                                                                                                                                                                                                                                                                                                                                                                                                                                                                   |
| <b>Arguments</b> | <p>CH&lt;x&gt; specifies one input channel as the edge source, where the channel number is specified by x.</p> <p>CH&lt;x&gt;_D&lt;x&gt; specifies a digital reference waveform as the source waveform for the specified search.</p> <p>MATH&lt;x&gt; specifies the math waveform as the search source, where the math number is specified by x.</p> <p>REF&lt;x&gt; specifies the reference waveform as the search source, where the reference number is specified by x.</p> <p>REF&lt;x&gt;_D&lt;x&gt; specifies a digital reference waveform as the source waveform for the specified search.</p> |
| <b>Examples</b>  | <p>SEARCH:SEARCH1:TRIGGER:A:EDGE:SOURCE CH2 sets the source waveform for the A trigger to Channel 2.</p> <p>SEARCH:SEARCH1:TRIGGER:A:EDGE:SOURCE? might return<br/>SEARCH:SEARCH1:TRIGGER:A:EDGE:SOURCE CH2, indicating that the Channel 2 edge trigger is the source for search 1.</p>                                                                                                                                                                                                                                                                                                              |

## SEARCH:SEARCH<x>:TRIGger:A:EDGE:THReshold

This command sets or queries the source threshold level for an edge trigger search to determine where to place a mark. The search number is specified by x.

|                  |                                                                                               |
|------------------|-----------------------------------------------------------------------------------------------|
| <b>Group</b>     | Search and Mark                                                                               |
| <b>Syntax</b>    | SEARCH:SEARCH<x>:TRIGger:A:EDGE:THReshold <NR3><br>SEARCH:SEARCH<x>:TRIGger:A:EDGE:THReshold? |
| <b>Arguments</b> | <NR3> is the source threshold level for an edge trigger search.                               |



**Examples**    `SEARCH:SEARCH1:TRIGger:A:EDGE:THReshoId 50.0e-3` sets the threshold to 50 mV.

`SEARCH:SEARCH1:TRIGger:A:EDGE:THReshoId?` might return  
`SEARCH:SEARCH1:TRIGGER:A:EDGE:THRESHOLD 0.0E+0` indicating the threshold is 0.0 V.

## SEARCH:SEARCH<x>:TRIGger:A:LOGIc:CLOCK:THReshold

This command sets or queries the logic clock threshold for a logic trigger search to determine where to place a mark. The search number is specified by x.

**Group**    Search and Mark

**Syntax**    `SEARCH:SEARCH<x>:TRIGger:A:LOGIc:CLOCK:THReshoId <NR3>`  
`SEARCH:SEARCH<x>:TRIGger:A:LOGIc:CLOCK:THReshoId?`

**Arguments**    <NR3> is the logic clock threshold.

**Examples**    `SEARCH:SEARCH1:TRIGger:A:LOGIc:CLOCK:THReshoId 50.0e-3` sets the threshold to 50 mV.

`SEARCH:SEARCH1:TRIGger:A:LOGIc:CLOCK:THReshoId?` might return  
`SEARCH:SEARCH1:TRIGGER:A:LOGIC:CLOCK:THRESHOLD 0.0E+0` indicating the threshold is set to 0.0 V.

## SEARCH:SEARCH<x>:TRIGger:A:LOGIc:DELtAtime

This command specifies the Logic search delta time value. The time value is used as part of the Logic search condition to determine if the duration of a logic pattern meets the specified time constraints. The search number is specified by x.

**Group**    Search and Mark

**Syntax**    `SEARCH:SEARCH<x>:TRIGger:A:LOGIc:DELtAtime <NR3>`  
`SEARCH:SEARCH<x>:TRIGger:A:LOGIc:DELtAtime?`

**Arguments**    <NR3> is delta time value.

**Examples**     `SEARCH:SEARCH1:TRIGGER:A:LOGIC:DELTAtime 1.5e-9` sets the delta time to 1.5 ns.

`SEARCH:SEARCH1:TRIGGER:A:LOGIC:DELTAtime?` might return `SEARCH:SEARCH1:TRIGGER:A:LOGIC:DELTAtime 1.0000E-9` indicating the delta time is 1.0 ns.

## **SEARCH:SEARCH<x>:TRIGGER:A:LOGIC:FUNCTION**

This command sets or queries the logic operator for a pattern or state trigger search to determine where to place a mark. The search number is specified by x.

**Group**        Search and Mark

**Syntax**       `SEARCH:SEARCH<x>:TRIGGER:A:LOGIC:FUNCTION {AND|NAND|NOR|OR}`  
`SEARCH:SEARCH<x>:TRIGGER:A:LOGIC:FUNCTION?`

**Arguments**    `AND` places a mark if all conditions are true.

`NAND` places a mark if any of the conditions are false.

`NOR` places a mark if all conditions are false.

`OR` places a mark if any of the conditions are true.

**Examples**     `SEARCH:SEARCH1:TRIGGER:A:LOGIC:FUNCTION AND` sets the trigger a logic function for search 1 to `AND`.

`SEARCH:SEARCH1:TRIGGER:A:LOGIC:FUNCTION?` might return `SEARCH:SEARCH1:TRIGGER:A:LOGIC:FUNCTION NOR`, indicating that the logic function for search 1 is set to `NOR`.

## **SEARCH:SEARCH<x>:TRIGGER:A:LOGIC:INPUT:CLOCK:SOURCE**

This command specifies or queries the channel to use as the clock source for logic trigger. The search number is specified by x.

**Group**        Search and Mark

**Syntax**       `SEARCH:SEARCH<x>:TRIGGER:A:LOGIC:INPUT:CLOCK:SOURCE`  
`{CH<x>|CH<x>_D<x>|REF<x>_D<x>}`  
`SEARCH:SEARCH<x>:TRIGGER:A:LOGIC:INPUT:CLOCK:SOURCE?`

**Arguments** CH<x> specifies an analog channel as the search source, where the channel number is specified by x.

CH<x>\_D<x> specifies a digital reference waveform as the source waveform for the specified search.

REF<x>\_D<x> specifies a digital reference waveform as the source waveform for the specified search.

**Examples** SEARCH:SEARCH1:TRIGger:A:LOGic:INPUT:CLOCK:SOURce CH2 sets the clock source to channel 2.

SEARCH:SEARCH1:TRIGger:A:LOGic:INPUT:CLOCK:SOURce? might return SEARCH:SEARCH1:TRIGGER:A:LOGIC:INPUT:CLOCK:SOURCE UNDEFINED indicating the clock source is not defined.

## SEARCH:SEARCH<x>:TRIGger:A:LOGic:LEVel:CH<x>

This command sets or queries the voltage level to use for logic trigger search. The search number is specified by x.

**Group** Search and Mark

**Syntax** SEARCH:SEARCH<x>:TRIGger:A:LOGic:LEVe1:CH<x> <NR3>  
SEARCH:SEARCH<x>:TRIGger:A:LOGic:LEVe1:CH<x>?

**Arguments** <NR3> is the voltage level to use for logic trigger search.

**Examples** SEARCH:SEARCH1:TRIGger:A:LOGic:LEVe1:CH2 50.0e-3 sets the level to 50 mV.

SEARCH:SEARCH1:TRIGger:A:LOGic:LEVe1:CH2? might return SEARCH:SEARCH1:TRIGGER:A:LOGIC:LEVEL:CH2 0.0E+0 indicating the level is set to 0.0 V.

## SEARCH:SEARCH<x>:TRIGger:A:LOGic:LEVel:MATH<x>

This command sets the voltage level to use for logic trigger search. The search number is specified by x.

**Group** Search and Mark

**Syntax** SEARCH:SEARCH<x>:TRIGger:A:LOGic:LEVe1:MATH<x> <NR3>  
SEARCH:SEARCH<x>:TRIGger:A:LOGic:LEVe1:MATH<x>?

**Arguments** <NR3> is the voltage level to use for logic trigger search.

**Examples** SEARCH:SEARCH1:TRIGger:A:LOGic:LEVe1:MATH1 50.0e-3 sets the level to 50.0 mV.

SEARCH:SEARCH1:TRIGger:A:LOGic:LEVe1:MATH1? might return  
SEARCH:SEARCH1:TRIGGER:A:LOGIC:LEVEL:MATH1 0.0E+0 indicating the level is set to 0.0 V.

## SEARCH:SEARCH<x>:TRIGger:A:LOGic:LEVe1:REF<x>

This command sets the voltage level to use for logic trigger search. The search number is specified by x.

**Group** Search and Mark

**Syntax** SEARCH:SEARCH<x>:TRIGger:A:LOGic:LEVe1:REF<x> <NR3>  
SEARCH:SEARCH<x>:TRIGger:A:LOGic:LEVe1:REF<x>?

**Arguments** <NR3> is the voltage level to use for logic trigger search.

**Examples** SEARCH:SEARCH1:TRIGger:A:LOGic:LEVe1:REF1 50.0e-3 sets the level to 50.0 mV.

SEARCH:SEARCH1:TRIGger:A:LOGic:LEVe1:REF1? might return  
SEARCH:SEARCH1:TRIGGER:A:LOGIC:LEVEL:REF1 0.0E+0 indicating the level is set to 0.0 V.

## SEARCH:SEARCH<x>:TRIGger:A:LOGic:LOGICPattern:CH<x>

This command sets or queries the conditions used for generating an A logic pattern, with respect to the defined input pattern, and identifies the time that the selected pattern may be true and still generate the trigger. The search number is specified by x.

**Group** Search and Mark

|                  |                                                                                                                                                                                                                                                      |
|------------------|------------------------------------------------------------------------------------------------------------------------------------------------------------------------------------------------------------------------------------------------------|
| <b>Syntax</b>    | SEARCH:SEARCH<x>:TRIGger:A:LOGic:LOGICPattern:CH<x> {H L X}<br>SEARCH:SEARCH<x>:TRIGger:A:LOGic:LOGICPattern:CH<x>?                                                                                                                                  |
| <b>Arguments</b> | H specifies triggering when the pattern is high.<br>L specifies triggering when the pattern is low.<br>X specifies triggering when the pattern is high or low.                                                                                       |
| <b>Examples</b>  | SEARCH:SEARCH1:TRIGger:A:LOGic:LOGICPattern:CH2 H sets the channel 2 pattern to a high.<br><br>SEARCH:SEARCH1:TRIGger:A:LOGic:LOGICPattern:CH2? might return SEARCH:SEARCH1:TRIGGER:A:LOGIC:LOGICPATTERN:CH2 X indicating channel 2 is a don't care. |

## SEARCH:SEARCH<x>:TRIGger:A:LOGic:LOGICPattern:CH<x>\_D<x>

This command sets or queries the conditions used for generating an A logic pattern, with respect to the defined input pattern, and identifies the time that the selected pattern may be true and still generate the trigger. The search number is specified by x.

|                  |                                                                                                                                                                                                                                                                     |
|------------------|---------------------------------------------------------------------------------------------------------------------------------------------------------------------------------------------------------------------------------------------------------------------|
| <b>Group</b>     | Search and Mark                                                                                                                                                                                                                                                     |
| <b>Syntax</b>    | SEARCH:SEARCH<x>:TRIGger:A:LOGic:LOGICPattern:CH<x>_D<x><br>{H L X}<br>SEARCH:SEARCH<x>:TRIGger:A:LOGic:LOGICPattern:CH<x>_D<x>?                                                                                                                                    |
| <b>Arguments</b> | H specifies triggering when the pattern is high.<br>L specifies triggering when the pattern is low.<br>X specifies triggering when the pattern is high or low.                                                                                                      |
| <b>Examples</b>  | SEARCH:SEARCH1:TRIGger:A:LOGic:LOGICPattern:CH1_D1 H sets the channel patter to a high.<br><br>SEARCH:SEARCH1:TRIGger:A:LOGic:LOGICPattern:CH1_D1? might return SEARCH:SEARCH1:TRIGGER:A:LOGIC:LOGICPATTERN:CH1_D1 X indicating the channel patter is a don't care. |

## SEARCH:SEARCH<x>:TRIGger:A:LOGIc:LOGICPattern:MATH<x>

This command sets or queries the conditions used for generating an A logic pattern, with respect to the defined input pattern, and identifies the time that the selected pattern may be true and still generate the trigger. The search number is specified by x.

**Group** Search and Mark

**Syntax** SEARCH:SEARCH<x>:TRIGger:A:LOGIc:LOGICPattern:MATH<x>  
{H|L|X}  
SEARCH:SEARCH<x>:TRIGger:A:LOGIc:LOGICPattern:MATH<x>?

**Arguments** H specifies triggering when the pattern is high.  
L specifies triggering when the pattern is low.  
X specifies triggering when the pattern is high or low.

**Examples** SEARCH:SEARCH1:TRIGger:A:LOGIc:LOGICPattern:MATH1 H sets the pattern to a high.  
SEARCH:SEARCH1:TRIGger:A:LOGIc:LOGICPattern:MATH1? might return  
SEARCH:SEARCH1:TRIGGER:A:LOGIC:LOGICPATTERN:MATH1 X indicating the pattern is a don't care.

## SEARCH:SEARCH<x>:TRIGger:A:LOGIc:LOGICPattern:REF<x>

This command sets or queries the conditions used for generating an A logic pattern, with respect to the defined input pattern, and identifies the time that the selected pattern may be true and still generate the trigger. The search number is specified by x.

**Group** Search and Mark

**Syntax** SEARCH:SEARCH<x>:TRIGger:A:LOGIc:LOGICPattern:REF<x> {H|L|X}  
SEARCH:SEARCH<x>:TRIGger:A:LOGIc:LOGICPattern:REF<x>?

**Arguments** H specifies triggering when the pattern is high.  
L specifies triggering when the pattern is low.  
X specifies triggering when the pattern is high or low.

**Examples** SEARCH:SEARCH1:TRIGger:A:LOGic:LOGICPattern:REF1 H sets the pattern to a high.  
SEARCH:SEARCH1:TRIGger:A:LOGic:LOGICPattern:REF1? might return SEARCH:SEARCH1:TRIGGER:A:LOGIC:LOGICPATTERN:REF1 X indicating the pattern is a don't care.

## SEARCH:SEARCH<x>:TRIGger:A:LOGic:POLarity

This command sets or queries the polarity for the clock channel when Use Clock Edge is set to Yes for Logic search type. The search number is specified by x.

**Group** Search and Mark

**Syntax** SEARCH:SEARCH<x>:TRIGger:A:LOGic:POLarity {POSitive|NEGative|EITHer}  
SEARCH:SEARCH<x>:TRIGger:A:LOGic:POLarity?

**Arguments** POSitive specifies using the positive clock edge.  
NEGative specifies using negative clock edge.  
EITHer specifies using either the positive or negative clock edge.

**Examples** SEARCH:SEARCH1:TRIGger:A:LOGic:POLarity NEGATIVE sets the polarity to negative.  
SEARCH:SEARCH1:TRIGger:A:LOGic:POLarity? might return SEARCH:SEARCH1:TRIGGER:A:LOGIC:POLARITY POSITIVE indicating the polarity is set to positive.

## SEARCH:SEARCH<x>:TRIGger:A:LOGic:USEClOCKedge

This command specifies whether or not Logic search uses a clock source. The search number is specified by x.

**Group** Search and Mark

**Syntax** SEARCH:SEARCH<x>:TRIGger:A:LOGic:USEClOCKedge {OFF|ON|0|1}  
SEARCH:SEARCH<x>:TRIGger:A:LOGic:USEClOCKedge?

|                  |                                                                                                                                                                                                                                                 |
|------------------|-------------------------------------------------------------------------------------------------------------------------------------------------------------------------------------------------------------------------------------------------|
| <b>Arguments</b> | <p>OFF specifies not to use the clock source.</p> <p>ON specifies to use the clock source.</p> <p>0 specifies not to use the clock source.</p> <p>1 specifies to use the clock source.</p>                                                      |
| <b>Examples</b>  | <p>SEARCH:SEARCH1:TRIGger:A:LOGic:USEClockedge ON specifies to use the clock source.</p> <p>SEARCH:SEARCH1:TRIGger:A:LOGic:USEClockedge? might return SEARCH:SEARCH1:TRIGGER:A:LOGIC:USECLOCKEDGE 0 indicating not to use the clock source.</p> |

## SEARCH:SEARCH<x>:TRIGger:A:LOGic:WHEn

This command sets or queries the condition for generating an A or B logic search with respect to the defined input pattern.

|                  |                                                                                                                                                                                                                                                                                                                                                                                                                      |
|------------------|----------------------------------------------------------------------------------------------------------------------------------------------------------------------------------------------------------------------------------------------------------------------------------------------------------------------------------------------------------------------------------------------------------------------|
| <b>Group</b>     | Search and Mark                                                                                                                                                                                                                                                                                                                                                                                                      |
| <b>Syntax</b>    | <pre>SEARCH:SEARCH&lt;x&gt;:TRIGger:A:LOGic:WHEn {TRUE FALSE MOREthan LESSThan EQua1 UNEQua1} SEARCH:SEARCH&lt;x&gt;:TRIGger:A:LOGic:WHEn?</pre>                                                                                                                                                                                                                                                                     |
| <b>Arguments</b> | <p>TRUe searches on an input value that is true.</p> <p>FALSe searches on an input value that is false.</p> <p>MOREthan searches on an input value that is greater than a set value.</p> <p>LESSthan searches on an input value that is less than a set value.</p> <p>EQua1 searches on an input value that is equal to a set value.</p> <p>UNEQua1 searches on an input value that is not equal to a set value.</p> |
| <b>Examples</b>  | <p>SEARCH:SEARCH1:TRIGger:A:LOGic:WHEn FALSE specifies a search on an input value that is false.</p> <p>SEARCH:SEARCH1:TRIGger:A:LOGic:WHEn? might return SEARCH:SEARCH1:TRIGGER:A:LOGIC:WHEN TRUE indicating a search on an input value that is true.</p>                                                                                                                                                           |



## SEARCH:SEARCH<x>:TRIGger:A:PULSEWidth:HIGHLimit

This command specifies the upper limit to use, in seconds, when searching for a pulse whose duration is inside or outside a range of two values. The search number is specified by x.

|                  |                                                                                                                                                                                                                                                                       |
|------------------|-----------------------------------------------------------------------------------------------------------------------------------------------------------------------------------------------------------------------------------------------------------------------|
| <b>Group</b>     | Search and Mark                                                                                                                                                                                                                                                       |
| <b>Syntax</b>    | SEARCH:SEARCH<x>:TRIGger:A:PULSEwidth:HIGHLimit <NR3><br>SEARCH:SEARCH<x>:TRIGger:A:PULSEwidth:HIGHLimit?                                                                                                                                                             |
| <b>Arguments</b> | <NR3> is the upper limit to use, in seconds, when searching for a pulse.                                                                                                                                                                                              |
| <b>Examples</b>  | SEARCH:SEARCH1:TRIGger:A:PULSEwidth:HIGHLimit 2.5e-9 sets the high limit to 2.5 ns.<br><br>SEARCH:SEARCH1:TRIGger:A:PULSEwidth:HIGHLimit? might return<br>SEARCH:SEARCH1:TRIGGER:A:PULSEWIDTH:HIGHLIMIT 2.0000E-9<br>indicating the pulse width high limit is 2.0 ns. |

## SEARCH:SEARCH<x>:TRIGger:A:PULSEWidth:LOGICQUALification

This command specifies whether or not to use logic qualification for a pulse width search. The search number is specified by x.

|                  |                                                                                                                                                                                                                                                                                |
|------------------|--------------------------------------------------------------------------------------------------------------------------------------------------------------------------------------------------------------------------------------------------------------------------------|
| <b>Group</b>     | Search and Mark                                                                                                                                                                                                                                                                |
| <b>Syntax</b>    | SEARCH:SEARCH<x>:TRIGger:A:PULSEwidth:LOGICQUALification<br>{ON OFF}<br>SEARCH:SEARCH<x>:TRIGger:A:PULSEwidth:LOGICQUALification?                                                                                                                                              |
| <b>Arguments</b> | ON specifies to use logic qualification.<br><br>OFF specifies not to use logic qualification.                                                                                                                                                                                  |
| <b>Examples</b>  | SEARCH:SEARCH1:TRIGger:A:PULSEwidth:LOGICQUALification ON<br>turns on logic qualification.<br><br>SEARCH:SEARCH1:TRIGger:A:PULSEwidth:LOGICQUALification? might<br>return SEARCH:SEARCH1:TRIGGER:A:PULSEWIDTH:LOGICQUALIFICATION<br>OFF indicating logic qualification is off. |

## SEARCH:SEARCH<x>:TRIGger:A:PULSEwidth:LOWLimit

This command specifies the lower limit to use, in seconds, when searching for a pulse whose duration is inside or outside a range of two values. The search number is specified by x.

|                  |                                                                                                                                                                                                                                                      |
|------------------|------------------------------------------------------------------------------------------------------------------------------------------------------------------------------------------------------------------------------------------------------|
| <b>Group</b>     | Search and Mark                                                                                                                                                                                                                                      |
| <b>Syntax</b>    | SEARCH:SEARCH<x>:TRIGger:A:PULSEwidth:LOWLimit <NR3><br>SEARCH:SEARCH<x>:TRIGger:A:PULSEwidth:LOWLimit?                                                                                                                                              |
| <b>Arguments</b> | <NR3> is the lower limit to use, in seconds, when searching for a pulse.                                                                                                                                                                             |
| <b>Examples</b>  | SEARCH:SEARCH1:TRIGger:A:PULSEwidth:LOWLimit 0.5e-9 sets the low limit to 0.5 ns.<br><br>SEARCH:SEARCH1:TRIGger:A:PULSEwidth:LOWLimit? might return<br>SEARCH:SEARCH1:TRIGGER:A:PULSEWIDTH:LOWLIMIT 1.0000E-9<br>indicating the low limit is 2.0 ns. |

## SEARCH:SEARCH<x>:TRIGger:A:PULSEwidth:POLarity

This command specifies the polarity for a pulse width search. The search number is specified by x.

|                  |                                                                                                                                                                                                                                                         |
|------------------|---------------------------------------------------------------------------------------------------------------------------------------------------------------------------------------------------------------------------------------------------------|
| <b>Group</b>     | Search and Mark                                                                                                                                                                                                                                         |
| <b>Syntax</b>    | SEARCH:SEARCH<x>:TRIGger:A:PULSEwidth:POLarity<br>{POSitive NEGative}<br>SEARCH:SEARCH<x>:TRIGger:A:PULSEwidth:POLarity?                                                                                                                                |
| <b>Arguments</b> | POSitive specifies positive polarity for a pulse width search.<br>NEGative specifies negative polarity for a pulse width search.                                                                                                                        |
| <b>Examples</b>  | SEARCH:SEARCH1:TRIGger:A:PULSEwidth:POLarity NEGATIVE sets the polarity to negative.<br><br>SEARCH:SEARCH1:TRIGger:A:PULSEwidth:POLarity? might return<br>SEARCH:SEARCH1:TRIGGER:A:PULSEWIDTH:POLARITY POSITIVE<br>indicating the polarity is positive. |

## SEARCH:SEARCH<x>:TRIGger:A:PULSEWidth:SOURce

This command sets and queries the source for the pulse width search input. The search number is specified by x.

|                  |                                                                                                                                                                                                                                                                                                                                                                                                                                                                                        |
|------------------|----------------------------------------------------------------------------------------------------------------------------------------------------------------------------------------------------------------------------------------------------------------------------------------------------------------------------------------------------------------------------------------------------------------------------------------------------------------------------------------|
| <b>Group</b>     | Search and Mark                                                                                                                                                                                                                                                                                                                                                                                                                                                                        |
| <b>Syntax</b>    | SEARCH:SEARCH<x>:TRIGger:A:PULSEwidth:SOURce<br>{CH<x> CH<x>_D<x> REF<x> REF<x>_D<x>}<br>SEARCH:SEARCH<x>:TRIGger:A:PULSEwidth:SOURce?                                                                                                                                                                                                                                                                                                                                                 |
| <b>Arguments</b> | <p>CH&lt;x&gt; specifies an analog channel as the search source, where the channel number is specified by x.</p> <p>CH&lt;x&gt;_D&lt;x&gt; specifies a digital reference waveform as the source waveform for the specified search.</p> <p>REF&lt;x&gt; specifies the reference waveform as the search source, where the reference number is specified by x.</p> <p>REF&lt;x&gt;_D&lt;x&gt; specifies a digital reference waveform as the source waveform for the specified search.</p> |
| <b>Examples</b>  | <p>SEARCH:SEARCH1:TRIGger:A:PULSEwidth:SOURce CH1 sets the source to channel 1.</p> <p>SEARCH:SEARCH1:TRIGger:A:PULSEwidth:SOURce? might return<br/>SEARCH:SEARCH1:TRIGGER:A:PULSEWIDTH:SOURCE CH2 indicating channel 2 is the source.</p>                                                                                                                                                                                                                                             |

## SEARCH:SEARCH<x>:TRIGger:A:PULSEWidth:THReshold

Sets or queries the source threshold level for a pulse width trigger search to determine where to place a mark. The search number is specified by x.

|                  |                                                                                                           |
|------------------|-----------------------------------------------------------------------------------------------------------|
| <b>Group</b>     | Search and Mark                                                                                           |
| <b>Syntax</b>    | SEARCH:SEARCH<x>:TRIGger:A:PULSEwidth:THReshold <NR3><br>SEARCH:SEARCH<x>:TRIGger:A:PULSEwidth:THReshold? |
| <b>Arguments</b> | <NR3> is the source threshold level for a pulse width trigger search.                                     |

**Examples**     `SEARCH:SEARCH1:TRIGGER:A:PULSEwidth:THRESHold 1.0e-9` sets to 1.0 V.

`SEARCH:SEARCH1:TRIGGER:A:PULSEwidth:THRESHold?` might return `SEARCH:SEARCH1:TRIGGER:A:PULSEwidth:THRESHOLD 0.0E+0` indicating the threshold is 0.0 V.

## SEARCH:SEARCH<x>:TRIGGER:A:PULSEwidth:WHEN

This command specifies to search for a pulse with a width (duration) that is less than, greater than, equal to, or unequal to a specified value (set using `SEARCH:A:PULSEwidth:WIDTH`), OR whose `SEARCH:A:PULSEwidth:LOWLimit` and `SEARCH:A:PULSEwidth:HIGHLimit`). The search number is specified by x.

**Group**     Search and Mark

**Syntax**     `SEARCH:SEARCH<x>:TRIGGER:A:PULSEwidth:WHEN`  
`{LESSthan|MOREthan| EQUAL|UNEQUAL|WITHIn|OUTSide}`  
`SEARCH:SEARCH<x>:TRIGGER:A:PULSEwidth:WHEN?`

**Arguments**     `LESSthan` causes a search when a pulse is detected with a width less than the time set by the `SEARCH:A:PULSEwidth:WIDTH` command.

`MOREthan` causes a search when a pulse is detected with a width greater than the time set by the `SEARCH:A:PULSEwidth:WIDTH` command.

`EQUAL` causes a search when a pulse is detected with a width equal to the time period specified in `SEARCH:A:PULSEwidth:WIDTH` within a  $\pm 5\%$  tolerance.

`UNEQUAL` causes a search when a pulse is detected with a width greater than or less than (but not equal) the time period specified in `SEARCH:A:PULSEwidth:WIDTH` within a  $\pm 5\%$  tolerance.

`WITHIn` causes a search when a pulse is detected that is within a range set by two values.

`OUTSide` causes a search when a pulse is detected that is outside of a range set by two values.

**Examples**     `SEARCH:SEARCH1:TRIGGER:A:PULSEwidth:WHEN OUTSide` causes a search when a pulse is detected that is outside the set range.

`SEARCH:SEARCH1:TRIGGER:A:PULSEwidth:WHEN?` might return `SEARCH:SEARCH1:TRIGGER:A:PULSEwidth:WHEN WITHIn` indicating that a search will occur when a pulse is detected that is within a set range.

## SEARCH:SEARCH<x>:TRIGger:A:RUNT:LOGICQUALification

This command specifies whether or not to use logic qualification for a runt search. The search number is specified by x.

|                  |                                                                                                                                                                                                                                                     |
|------------------|-----------------------------------------------------------------------------------------------------------------------------------------------------------------------------------------------------------------------------------------------------|
| <b>Group</b>     | Search and Mark                                                                                                                                                                                                                                     |
| <b>Syntax</b>    | SEARCH:SEARCH<x>:TRIGger:A:RUNT:LOGICQUALification {ON OFF}<br>SEARCH:SEARCH<x>:TRIGger:A:RUNT:LOGICQUALification?                                                                                                                                  |
| <b>Arguments</b> | ON specifies to use logic qualification for a runt search.<br>OFF specifies not to use logic qualification for a runt search.                                                                                                                       |
| <b>Examples</b>  | SEARCH:SEARCH1:TRIGger:A:RUNT:LOGICQUALification ON turns on logic qualification.<br><br>SEARCH:SEARCH1:TRIGger:A:RUNT:LOGICQUALification? might return SEARCH:SEARCH1:TRIGGER:A:RUNT:LOGICQUALIFICATION OFF indicating logic qualification is off. |

## SEARCH:SEARCH<x>:TRIGger:A:RUNT:POLarity

This command specifies the polarity for the runt search. The search number is specified by x.

|                  |                                                                                                                                                                                                                        |
|------------------|------------------------------------------------------------------------------------------------------------------------------------------------------------------------------------------------------------------------|
| <b>Group</b>     | Search and Mark                                                                                                                                                                                                        |
| <b>Syntax</b>    | SEARCH:SEARCH<x>:TRIGger:A:RUNT:POLarity {POSitive NEGative EITher}<br>SEARCH:SEARCH<x>:TRIGger:A:RUNT:POLarity?                                                                                                       |
| <b>Arguments</b> | POSitive specifies using positive polarity for the runt search.<br>NEGative specifies using negative polarity for the runt search.<br>EITher specifies using either positive or negative polarity for the runt search. |
| <b>Examples</b>  | SEARCH:SEARCH1:TRIGger:A:RUNT:POLarity NEGATIVE specifies using negative polarity for the runt search.                                                                                                                 |

SEARCH:SEARCH1:TRIGger:A:RUNT:POLArity? might return  
SEARCH:SEARCH1:TRIGGER:A:RUNT:POLARITY POSITIVE indicating the  
polarity is set to positive.

## SEARCH:SEARCH<x>:TRIGger:A:RUNT:SOUrce

This command sets and queries the source for the Runt search input. The search number is specified by x.

|                  |                                                                                                                                                                                                                                           |
|------------------|-------------------------------------------------------------------------------------------------------------------------------------------------------------------------------------------------------------------------------------------|
| <b>Group</b>     | Search and Mark                                                                                                                                                                                                                           |
| <b>Syntax</b>    | SEARCH:SEARCH<x>:TRIGger:A:RUNT:SOUrce {CH<x> REF<x>}                                                                                                                                                                                     |
| <b>Arguments</b> | <p>CH&lt;x&gt; specifies an analog channel as the search source, where the channel number is specified by x.</p> <p>REF&lt;x&gt; specifies the reference waveform as the search source, where the reference number is specified by x.</p> |
| <b>Examples</b>  | <p>SEARCH:SEARCH1:TRIGger:A:RUNT:SOUrce CH1 sets the source to channel 1.</p> <p>SEARCH:SEARCH1:TRIGger:A:RUNT:SOUrce? might return<br/>SEARCH:SEARCH1:TRIGGER:A:RUNT:SOURCE CH2 indicating the source is set to channel 2.</p>           |

## SEARCH:SEARCH<x>:TRIGger:A:RUNT:THReshold:HIGh

This command sets or queries the source threshold HIGH level for a runt trigger search to determine where to place a mark.

|                  |                                                                                                         |
|------------------|---------------------------------------------------------------------------------------------------------|
| <b>Group</b>     | Search and Mark                                                                                         |
| <b>Syntax</b>    | SEARCH:SEARCH<x>:TRIGger:A:RUNT:THReshold:HIGh <NR3><br>SEARCH:SEARCH<x>:TRIGger:A:RUNT:THReshold:HIGh? |
| <b>Arguments</b> | <NR3> is the source threshold HIGH level for a runt trigger search.                                     |
| <b>Examples</b>  | SEARCH:SEARCH1:TRIGger:A:RUNT:THReshold:HIGh 50.0E-3 sets the high threshold to 50 mV.                  |

SEARCH:SEARCH1:TRIGger:A:RUNT:THResho1d:HIGh? might return  
SEARCH:SEARCH1:TRIGGER:A:RUNT:THRESHOLD:HIGh 0.0E+0 indicating  
the high threshold is 0.0 V.

## SEARCH:SEARCH<x>:TRIGger:A:RUNT:THReshold:LOW

Sets or queries the source threshold LOW level for a runt trigger search to determine where to place a mark. The search number is specified by x.

|                  |                                                                                                                                                                                                                                                   |
|------------------|---------------------------------------------------------------------------------------------------------------------------------------------------------------------------------------------------------------------------------------------------|
| <b>Group</b>     | Search and Mark                                                                                                                                                                                                                                   |
| <b>Syntax</b>    | SEARCH:SEARCH<x>:TRIGger:A:RUNT:THResho1d:LOW <NR3><br>SEARCH:SEARCH<x>:TRIGger:A:RUNT:THResho1d:LOW?                                                                                                                                             |
| <b>Arguments</b> | <NR3> is the source threshold LOW level for a runt trigger search.                                                                                                                                                                                |
| <b>Examples</b>  | SEARCH:SEARCH1:TRIGger:A:RUNT:THResho1d:LOW 50.0e-3 sets the<br>thresholdo to 50 mV.<br><br>SEARCH:SEARCH1:TRIGger:A:RUNT:THResho1d:LOW? might return<br>SEARCH:SEARCH1:TRIGGER:A:RUNT:THRESHOLD:LOW 0.0E+0 indicating<br>the threshold is 0.0 V. |

## SEARCH:SEARCH<x>:TRIGger:A:RUNT:WHEn

This command sets or queries the condition setting for a runt trigger search to determine where to place a mark. The search number is specified by x.

|                  |                                                                                                                                                                                                                                                                                                                                                                    |
|------------------|--------------------------------------------------------------------------------------------------------------------------------------------------------------------------------------------------------------------------------------------------------------------------------------------------------------------------------------------------------------------|
| <b>Group</b>     | Search and Mark                                                                                                                                                                                                                                                                                                                                                    |
| <b>Syntax</b>    | SEARCH:SEARCH<x>:TRIGger:A:RUNT:WHEn<br>{OCCURs LESSthan MOREthan EQua1 NOTEQua1}<br>SEARCH:SEARCH<x>:TRIGger:A:RUNT:WHEn?                                                                                                                                                                                                                                         |
| <b>Arguments</b> | LESSthan argument sets the instrument to search if the a<br>runt pulse is detected with width less than the time set by the<br>SEARCH:SEARCH<x>:TRIGger:A:RUNT:WIDth command.<br><br>MOREthan argument sets the instrument to search if the a runt<br>pulse is detected with width more than the time set by the<br>SEARCH:SEARCH<x>:TRIGger:A:RUNT:WIDth command. |

**Equal** argument sets the instrument to search when the pattern is true for a time period equal to the time period specified in `SEARCH:SEARCH<x>:TRIGGER:A:RUNT:WIDTH` within a  $\pm 5\%$  tolerance.

**NOTEEqual** argument sets the instrument to search when the pattern is true for a time period greater than or less than (but not equal) the time period specified in `SEARCH:SEARCH<x>:TRIGGER:A:RUNT:WIDTH` within a  $\pm 5\%$  tolerance.

**OCCURS** argument specifies a search event if a runt of any detectable width occurs.

**Examples** `SEARCH:SEARCH1:TRIGGER:A:RUNT:WHEN MORETHAN` sets the instrument to trigger when a runt pulse is detected with width wider than the time set by the `SEARCH:SEARCH<x>:TRIGGER:A:RUNT:WIDTH` command.

`SEARCH:SEARCH1:TRIGGER:A:RUNT:WHEN?` might return `SEARCH:SEARCH1:TRIGGER:A:RUNT:WHEN OCCURS`, indicating that a mark is placed if a runt trigger event occurs.

## SEARCH:SEARCH<x>:TRIGGER:A:RUNT:WIDTH

This command sets or queries the width setting for a runt trigger search to determine where to place a mark. The search number is specified by *x*.

**Group** Search and Mark

**Syntax** `SEARCH:SEARCH<x>:TRIGGER:A:RUNT:WIDTH <NR3>`  
`SEARCH:SEARCH<x>:TRIGGER:A:RUNT:WIDTH?`

**Arguments** `<NR3>` specifies the minimum width in seconds.

**Examples** `SEARCH:SEARCH1:TRIGGER:A:RUNT:WIDTH 400E-12` sets the runt trigger minimum width for search 1 to 0.4 nanoseconds.

`SEARCH:SEARCH1:TRIGGER:A:RUNT:WIDTH?` might return `SEARCH:SEARCH1:TRIGGER:A:RUNT:WIDTH 500.0000E-12`, indicating that the runt trigger minimum width for search 1 is set to 0.5 nanoseconds.

## SEARCH:SEARCH<x>:TRIGGER:A:SETHold:CLOCK:EDGE

This command sets or queries the clock slope setting for a setup/hold trigger search to determine where to place a mark. The search number is specified by *x*.

**Group** Search and Mark



|                  |                                                                                                                                                                                                                                                                                                                                                       |
|------------------|-------------------------------------------------------------------------------------------------------------------------------------------------------------------------------------------------------------------------------------------------------------------------------------------------------------------------------------------------------|
| <b>Syntax</b>    | SEARCH:SEARCH<x>:TRIGger:A:SETHold:CLOCK:EDGE {FALL RISe}<br>SEARCH:SEARCH<x>:TRIGger:A:SETHold:CLOCK:EDGE?                                                                                                                                                                                                                                           |
| <b>Arguments</b> | FALL specifies the polarity as the clock falling edge.<br><br>RISe specifies the polarity as the clock rising edge.                                                                                                                                                                                                                                   |
| <b>Examples</b>  | SEARCH:SEARCH1:TRIGGER:A:SETHOLD:CLOCK:EDGE FALL sets the setup/hold trigger clock slope polarity for search 1 to falling edge.<br><br>SEARCH:SEARCH1:TRIGGER:A:SETHOLD:CLOCK:EDGE? might return<br>SEARCH:SEARCH1:TRIGGER:A:SETHOLD:CLOCK:EDGE RISE, indicating that the setup/hold trigger clock slope polarity for search 1 is set to rising edge. |

## SEARCH:SEARCH<x>:TRIGger:A:SETHold:CLOCK:SOURce

This command sets or queries the clock source setting for a setup/hold trigger search to determine where to place a mark. The search number is specified by x.

|                  |                                                                                                                                                                                                                                                                                                                                                                                                                                                                                                                                                                                |
|------------------|--------------------------------------------------------------------------------------------------------------------------------------------------------------------------------------------------------------------------------------------------------------------------------------------------------------------------------------------------------------------------------------------------------------------------------------------------------------------------------------------------------------------------------------------------------------------------------|
| <b>Group</b>     | Search and Mark                                                                                                                                                                                                                                                                                                                                                                                                                                                                                                                                                                |
| <b>Syntax</b>    | SEARCH:SEARCH<x>:TRIGger:A:SETHold:CLOCK:SOURce<br>{CH<x> CH<x>_D<x> MATH<x> REF<x> REF<x>_D<x>}<br>SEARCH:SEARCH<x>:TRIGger:A:SETHold:CLOCK:SOURce<br>SEARCH:SEARCH<x>:TRIGger:A:SETHold:CLOCK:SOURce?                                                                                                                                                                                                                                                                                                                                                                        |
| <b>Arguments</b> | CH<x> specifies an input channel as the edge source, where <x> = 1, 2, 3, 4, 5, 6, 7, or 8, depending on the number of channels in your instrument.<br><br>CH<x>_D<x> specifies a digital waveform as the setup and hold clock source waveform for the specified search.<br><br>MATH<x> specifies the math waveform as the search source, where <x> = ≥1.<br><br>REF<x> specifies the reference waveform as the search source, where <x> = ≥1.<br><br>REF<x>_D<x> specifies a digital reference waveform as the setup and hold clock source waveform for the specified search. |
| <b>Examples</b>  | SEARCH:SEARCH1:TRIGGER:A:SETHOLD:CLOCK:SOURCE MATH1 sets the setup/hold trigger clock source setting for search 1 to MATH1.<br><br>SEARCH:SEARCH1:TRIGGER:A:SETHOLD:CLOCK:SOURCE? might return<br>SEARCH:SEARCH1:TRIGGER:A:SETHOLD:CLOCK:SOURCE CH1, indicating that the setup/hold trigger clock source setting for search 1 is set to CH1.                                                                                                                                                                                                                                   |

## SEARCH:SEARCH<x>:TRIGger:A:SETHold:CLOCK:THReshold

This command sets or queries the clock threshold setting for a setup/hold trigger search to determine where to place a mark. The search number is specified by x.

|                  |                                                                                                                                                                                                                                                                                                                                                                                                                                |
|------------------|--------------------------------------------------------------------------------------------------------------------------------------------------------------------------------------------------------------------------------------------------------------------------------------------------------------------------------------------------------------------------------------------------------------------------------|
| <b>Group</b>     | Search and Mark                                                                                                                                                                                                                                                                                                                                                                                                                |
| <b>Syntax</b>    | SEARCH:SEARCH<x>:TRIGger:A:SETHold:CLOCK:THReshold <NR3><br>SEARCH:SEARCH<x>:TRIGger:A:SETHold:CLOCK:THReshold?                                                                                                                                                                                                                                                                                                                |
| <b>Arguments</b> | <NR3> the clock threshold setting for a setup/hold trigger search.                                                                                                                                                                                                                                                                                                                                                             |
| <b>Examples</b>  | SEARCH:SEARCH1:TRIGGER:A:SETHOLD:CLOCK:THRESHOLD -1.3 sets the setup/hold trigger clock threshold setting for search 1 to -1.3 volts.<br>SEARCH:SEARCH1:TRIGGER:A:SETHOLD:CLOCK:THRESHOLD? might return SEARCH:SEARCH1:TRIGGER:A:SETHOLD:CLOCK:THRESHOLD -1.3000, indicating that the setup/hold trigger clock threshold setting for search 1 is set to -1.3 volts.<br><br>** CANNOT USE LocalCmd HERE BECAUSE OF VARIABLES ** |

## SEARCH:SEARCH<x>:TRIGger:A:SETHold:HOLDTime

This command sets or queries the hold time setting for a setup/hold trigger search to determine where to place a mark. The search number is specified by x.

|                  |                                                                                                                                                                                                                                                                                                                                        |
|------------------|----------------------------------------------------------------------------------------------------------------------------------------------------------------------------------------------------------------------------------------------------------------------------------------------------------------------------------------|
| <b>Group</b>     | Search and Mark                                                                                                                                                                                                                                                                                                                        |
| <b>Syntax</b>    | SEARCH:SEARCH<x>:TRIGger:A:SETHold:HOLDTime <NR3><br>SEARCH:SEARCH<x>:TRIGger:A:SETHold:HOLDTime?                                                                                                                                                                                                                                      |
| <b>Arguments</b> | <NR3> specifies the hold time setting in seconds. Positive values for hold time occur after the clock edge. Negative values occur before the clock edge.                                                                                                                                                                               |
| <b>Examples</b>  | SEARCH:SEARCH1:TRIGGER:A:SETHOLD:HOLDTIME 400E-12 sets the setup/hold trigger hold time setting for search 1 to 400 ps.<br><br>SEARCH:SEARCH1:TRIGGER:A:SETHOLD:HOLDTIME? might return SEARCH:SEARCH1:TRIGGER:A:SETHOLD:HOLDTIME 500.0000E-12, indicating that the setup/hold trigger hold time setting for search 1 is set to 0.5 ns. |

**SEARCH:SEARCH<x>:TRIGger:A:SETHold:LEVel:CH<x>**

This command sets or queries the voltage level to use for setup & hold trigger search. The search number is specified by x.

|                  |                                                                                                                                                                                                                                   |
|------------------|-----------------------------------------------------------------------------------------------------------------------------------------------------------------------------------------------------------------------------------|
| <b>Group</b>     | Search and Mark                                                                                                                                                                                                                   |
| <b>Syntax</b>    | SEARCH:SEARCH<x>:TRIGger:A:SETHold:LEVel:CH<x> <NR3><br>SEARCH:SEARCH<x>:TRIGger:A:SETHold:LEVel:CH<x>?                                                                                                                           |
| <b>Arguments</b> | <NR3> the voltage level to use for setup & hold trigger search.                                                                                                                                                                   |
| <b>Examples</b>  | SEARCH:SEARCH1:TRIGger:A:SETHold:LEVel:CH1 50.0e-3 sets the level to 50.0 mV.<br><br>SEARCH:SEARCH1:TRIGger:A:SETHold:LEVel:CH1? might return<br>SEARCH:SEARCH1:TRIGGER:A:SETHOLD:LEVEL:CH1 0.0E+0 indicating the level is 0.0 V. |

**SEARCH:SEARCH<x>:TRIGger:A:SETHold:LEVel:MATH<x>**

This command sets or queries the voltage level to use for setup & hold trigger search. The search number is specified by x.

|                  |                                                                                                                                                                                                                                         |
|------------------|-----------------------------------------------------------------------------------------------------------------------------------------------------------------------------------------------------------------------------------------|
| <b>Group</b>     | Search and Mark                                                                                                                                                                                                                         |
| <b>Syntax</b>    | SEARCH:SEARCH<x>:TRIGger:A:SETHold:LEVel:MATH<x> <NR3><br>SEARCH:SEARCH<x>:TRIGger:A:SETHold:LEVel:MATH<x>?                                                                                                                             |
| <b>Arguments</b> | <NR3> isi the voltage level to use for setup & hold trigger search.                                                                                                                                                                     |
| <b>Examples</b>  | SEARCH:SEARCH1:TRIGger:A:SETHold:LEVel:MATH1 50.0e-3 sets the level to 50.0 mV.<br><br>SEARCH:SEARCH1:TRIGger:A:SETHold:LEVel:MATH1? might return<br>SEARCH:SEARCH1:TRIGGER:A:SETHOLD:LEVEL:MATH1 0.0E+0 indicating the level is 0.0 V. |

## SEARCH:SEARCH<x>:TRIGger:A:SETHold:LEVel:REF<x>

This command sets or queries the voltage level to use for setup & hold trigger search. The search number is specified by x.

|                  |                                                                                                                                                                                                                                   |
|------------------|-----------------------------------------------------------------------------------------------------------------------------------------------------------------------------------------------------------------------------------|
| <b>Group</b>     | Search and Mark                                                                                                                                                                                                                   |
| <b>Syntax</b>    | SEARCH:SEARCH<x>:TRIGger:A:SETHold:LEVel:REF<x> <NR3><br>SEARCH:SEARCH<x>:TRIGger:A:SETHold:LEVel:REF<x>?                                                                                                                         |
| <b>Arguments</b> | <NR3> is the voltage level to use for setup & hold trigger search.                                                                                                                                                                |
| <b>Examples</b>  | SEARCH:SEARCH1:TRIGger:A:SETHold:LEVel:REF1 50.0e-3 sets the level to 50.0 mV.<br><br>SEARCH:SEARCH1:TRIGger:A:SETHold:LEVel:REF1? might return SEARCH:SEARCH1:TRIGGER:A:SETHOLD:LEVEL:REF1 0.0E+0 indicating the level is 0.0 V. |

## SEARCH:SEARCH<x>:TRIGger:A:SETHold:LOGICPattern:CH<x>

This command sets or queries the conditions used for generating an A logic pattern, with respect to the defined input pattern, and identifies the time that the selected pattern may be true and still generate the trigger. The search number is specified by x.

|                  |                                                                                                                                                                                                    |
|------------------|----------------------------------------------------------------------------------------------------------------------------------------------------------------------------------------------------|
| <b>Group</b>     | Search and Mark                                                                                                                                                                                    |
| <b>Syntax</b>    | SEARCH:SEARCH<x>:TRIGger:A:SETHold:LOGICPattern:CH<x><br>{INCLude DONTInCLude}<br>SEARCH:SEARCH<x>:TRIGger:A:SETHold:LOGICPattern:CH<x>?                                                           |
| <b>Arguments</b> | INCLude specifies including the specified channel SETHOLD inputs in the specified search.<br><br>DONTInCLude specifies not including the specified channel SETHOLD inputs in the specified search. |
| <b>Examples</b>  | SEARCH:SEARCH1:TRIGger:A:SETHold:LOGICPattern:CH1 INCLUDE specifies including the specified channel SETHOLD inputs in the specified search.                                                        |

SEARCH:SEARCH1:TRIGger:A:SETHold:LOGICPattern:CH1? might return SEARCH:SEARCH1:TRIGGER:A:SETHOLD:LOGICPATTERN:CH1 DONTINCLUDE indicating the specified channel SETHOLD inputs will not be included in the specified search.

## SEARCH:SEARCH<x>:TRIGger:A:SETHold:LOGICPattern:CH<x>\_D<x>

This command sets or queries the conditions used for generating an A logic pattern, with respect to the defined input pattern, and identifies the time that the selected pattern may be true and still generate the trigger. The search number is specified by x.

|                  |                                                                                                                                                                                                                                                                                                                                                                                                         |
|------------------|---------------------------------------------------------------------------------------------------------------------------------------------------------------------------------------------------------------------------------------------------------------------------------------------------------------------------------------------------------------------------------------------------------|
| <b>Group</b>     | Search and Mark                                                                                                                                                                                                                                                                                                                                                                                         |
| <b>Syntax</b>    | SEARCH:SEARCH<x>:TRIGger:A:SETHold:LOGICPattern:CH<x>_D<x><br>{INCLUDE DONTInclude}<br>SEARCH:SEARCH<x>:TRIGger:A:SETHold:LOGICPattern:CH<x>_D<x>?                                                                                                                                                                                                                                                      |
| <b>Arguments</b> | INCLUDE specifies including the specified digital channel SETHOLD inputs in the specified search.<br><br>DONTInclude specifies not including the specified digital channel SETHOLD inputs in the specified search.                                                                                                                                                                                      |
| <b>Examples</b>  | SEARCH:SEARCH1:TRIGger:A:SETHold:LOGICPattern:CH1_D0 INCLUDE specifies including the specified digital channel SETHOLD inputs in the specified search.<br><br>SEARCH:SEARCH1:TRIGger:A:SETHold:LOGICPattern:CH1_D0? might return SEARCH:SEARCH1:TRIGGER:A:SETHOLD:LOGICPATTERN:CH1_D0 DONTINCLUDE indicating the specified digital channel SETHOLD inputs will not be included in the specified search. |

## SEARCH:SEARCH<x>:TRIGger:A:SETHold:LOGICPattern:MATH<x>

This command sets or queries the conditions used for generating an A logic pattern, with respect to the defined input pattern, and identifies the time that the selected pattern may be true and still generate the trigger. The search number is specified by x.

|              |                 |
|--------------|-----------------|
| <b>Group</b> | Search and Mark |
|--------------|-----------------|

|                  |                                                                                                                                                                                                                                                                                                                                                                                |
|------------------|--------------------------------------------------------------------------------------------------------------------------------------------------------------------------------------------------------------------------------------------------------------------------------------------------------------------------------------------------------------------------------|
| <b>Syntax</b>    | SEARCH:SEARCH<x>:TRIGger:A:SETHold:LOGICPattern:MATH<x><br>{INCLude DONTIncLude}<br>SEARCH:SEARCH<x>:TRIGger:A:SETHold:LOGICPattern:MATH<x>?                                                                                                                                                                                                                                   |
| <b>Arguments</b> | INCLude specifies including the specified math SETHOLD inputs in the specified search.<br><br>DONTIncLude specifies not including the specified math SETHOLD inputs in the specified search.                                                                                                                                                                                   |
| <b>Examples</b>  | SEARCH:SEARCH1:TRIGger:A:SETHold:LOGICPattern:MATH1 INCLUDE specifies including the specified math SETHOLD inputs in the specified search.<br><br>SEARCH:SEARCH1:TRIGger:A:SETHold:LOGICPattern:MATH1? might return SEARCH:SEARCH1:TRIGGER:A:SETHOLD:LOGICPATTERN:MATH1 DONTINCLUDE indicating the specified math SETHOLD inputs will not be included in the specified search. |

## SEARCH:SEARCH<x>:TRIGger:A:SETHold:LOGICPattern:REF<x>

This command sets and returns the conditions used for generating an A logic pattern, with respect to the defined input pattern, and identifies the time that the selected pattern may be true and still generate the trigger. The search number is specified by x.

|                  |                                                                                                                                                                                                                                                                           |
|------------------|---------------------------------------------------------------------------------------------------------------------------------------------------------------------------------------------------------------------------------------------------------------------------|
| <b>Group</b>     | Search and Mark                                                                                                                                                                                                                                                           |
| <b>Syntax</b>    | SEARCH:SEARCH<x>:TRIGger:A:SETHold:LOGICPattern:REF<x><br>{INCLude DONTIncLude}<br>SEARCH:SEARCH<x>:TRIGger:A:SETHold:LOGICPattern:REF<x>?                                                                                                                                |
| <b>Arguments</b> | INCLude specifies including the specified reference SETHOLD inputs in the specified search.<br><br>DONTIncLude specifies not including the specified reference SETHOLD inputs in the specified search.                                                                    |
| <b>Examples</b>  | SEARCH:SEARCH1:TRIGger:A:SETHold:LOGICPattern:REF1 INCLUDE specifies including the specified reference SETHOLD inputs in the specified search.<br><br>SEARCH:SEARCH1:TRIGger:A:SETHold:LOGICPattern:REF1? might return SEARCH:SEARCH1:TRIGGER:A:SETHOLD:LOGICPATTERN:REF1 |

DONTINCLUDE indicating the specified reference SETHOLD inputs will not be included in the specified search.

## SEARCH:SEARCH<x>:TRIGger:A:SETHold:SETTime

This command sets or queries the setup time setting for a setup/hold trigger search to determine where to place a mark. The search number is specified by x.

|                  |                                                                                                                                                                                                                                                                                                                                  |
|------------------|----------------------------------------------------------------------------------------------------------------------------------------------------------------------------------------------------------------------------------------------------------------------------------------------------------------------------------|
| <b>Group</b>     | Search and Mark                                                                                                                                                                                                                                                                                                                  |
| <b>Syntax</b>    | SEARCH:SEARCH<x>:TRIGger:A:SETHold:SETTime <NR3><br>SEARCH:SEARCH<x>:TRIGger:A:SETHold:SETTime?                                                                                                                                                                                                                                  |
| <b>Arguments</b> | <NR3> specifies the setup time for setup and hold violation triggering.                                                                                                                                                                                                                                                          |
| <b>Examples</b>  | SEARCH:SEARCH1:TRIGGER:A:SETHOLD:SETTIME 2E-9 sets the setup/hold trigger setup time setting for search 1 to 2 ns.<br><br>SEARCH:SEARCH1:TRIGGER:A:SETHOLD:SETTIME? might return<br>SEARCH:SEARCH1:TRIGGER:A:SETHOLD:SETTIME 1.0000E-9, indicating that the setup/hold trigger setup time setting for search 1 is set to 1.0 ns. |

## SEARCH:SEARCH<x>:TRIGger:A:STATE

This command sets or queries the enabled state of the search. The search number is specified by x.

|                  |                                                                                                                                                                                 |
|------------------|---------------------------------------------------------------------------------------------------------------------------------------------------------------------------------|
| <b>Group</b>     | Search and Mark                                                                                                                                                                 |
| <b>Syntax</b>    | SEARCH:SEARCH<x>:TRIGger:A:STATE {<NR1> OFF ON}                                                                                                                                 |
| <b>Arguments</b> | <NR1> = 1 enables the search. Any other character disables the search.<br><br>ON enables the search.<br><br>OFF disables the search.                                            |
| <b>Examples</b>  | SEARCH:SEARCH1:TRIGger:A:STATE OFF disables the search.<br><br>SEARCH:SEARCH1:TRIGger:A:STATE? might return<br>SEARCH:SEARCH1:TRIGGER:A:STATE 1 indicating search 1 is enabled. |

## SEARCH:SEARCH<x>:TRIGger:A:STOPAcq

This command sets or queries whether acquisitions are stopped when a search hit is found. The search number is specified by x.

|                  |                                                                                                                                                                                                                                                                                                           |
|------------------|-----------------------------------------------------------------------------------------------------------------------------------------------------------------------------------------------------------------------------------------------------------------------------------------------------------|
| <b>Group</b>     | Search and Mark                                                                                                                                                                                                                                                                                           |
| <b>Syntax</b>    | SEARCH:SEARCH<x>:TRIGger:A:STOPAcq {<NR1> OFF ON}<br>SEARCH:SEARCH<x>:TRIGger:A:STOPAcq?                                                                                                                                                                                                                  |
| <b>Arguments</b> | <x> is the number of the search on which to enable or disable the stop acquisition function.<br><br><NR1> = 1 enables stopping when a search hit is found. Any other character disables the feature.<br><br>ON enables stopping when a search hit is found.<br><br>OFF disables stopping on a search hit. |
| <b>Examples</b>  | SEARCH:SEARCH1:TRIGger:A:STOPAcq ON enables stopping when a search hit is found.<br><br>SEARCH:SEARCH3:TRIGger:A:STOPAcq? might return<br>:SEARCH:SEARCH3:TRIGGER:A:STOPACQ 1 indicating acquisitions are stopped when a search hit is found on search number 3.                                          |

## SEARCH:SEARCH<x>:TRIGger:A:TIMEOut:LOGICQUALification

This command specifies whether or not to use logic qualification for a timeout search. The search number is specified by x.

|                  |                                                                                                                             |
|------------------|-----------------------------------------------------------------------------------------------------------------------------|
| <b>Group</b>     | Search and Mark                                                                                                             |
| <b>Syntax</b>    | SEARCH:SEARCH<x>:TRIGger:A:TIMEOut:LOGICQUALification<br>{ON OFF}<br>SEARCH:SEARCH<x>:TRIGger:A:TIMEOut:LOGICQUALification? |
| <b>Arguments</b> | ON specifies to use logic qualification.<br><br>OFF specifies not to use logic qualification.                               |



- Examples**     `SEARCH:SEARCH1:TRIGger:A:TIMEOut:LOGICQUALification ON`  
specifies to use logic qualification.
- `SEARCH:SEARCH1:TRIGger:A:TIMEOut:LOGICQUALification?` might  
return `SEARCH:SEARCH1:TRIGGER:A:TIMEOUT:LOGICQUALIFICATION OFF`  
indicating logic qualification is off.

## SEARCH:SEARCH<x>:TRIGger:A:TIMEOut:POLarity

The polarity to be used for a Timeout search. The search number is specified by x.

- Group**     Search and Mark
- Syntax**     `SEARCH:SEARCH<x>:TRIGger:A:TIMEOut:POLarity`  
`{STAYSHigh|STAYSLow|EITHer}`  
`SEARCH:SEARCH<x>:TRIGger:A:TIMEOut:POLarity?`
- Arguments**     `STAYSHigh` specifies the polarity stays HIGH.  
`STAYSLow` specifies the polarity stays LOW.  
`EITHer` specifies the polarity stays HIGH or stays LOW.
- Examples**     `SEARCH:SEARCH1:TRIGger:A:TIMEOut:POLarity STAYSLow` specifies  
the polarity stays LOW.
- `SEARCH:SEARCH1:TRIGger:A:TIMEOut:POLarity?` might return  
`SEARCH:SEARCH1:TRIGGER:A:TIMEOUT:POLARITY STAYSHIGH` indicating  
the polarity stays HIGH.

## SEARCH:SEARCH<x>:TRIGger:A:TIMEOut:SOUrce

This command sets and queries the source for timeout search input. The search number is specified by x.

- Group**     Search and Mark
- Syntax**     `SEARCH:SEARCH<x>:TRIGger:A:TIMEOut:SOUrce`  
`{CH<x>|CH<x>_D<x>|MATH<x>|REF<x>|REF<x>_D<x>}`  
`SEARCH:SEARCH<x>:TRIGger:A:TIMEOut:SOUrce?`

|                  |                                                                                                                                                                                                                                                                                                                                                                                                                                                                                                                                                                                                        |
|------------------|--------------------------------------------------------------------------------------------------------------------------------------------------------------------------------------------------------------------------------------------------------------------------------------------------------------------------------------------------------------------------------------------------------------------------------------------------------------------------------------------------------------------------------------------------------------------------------------------------------|
| <b>Arguments</b> | <p>CH&lt;x&gt; specifies an analog channel as the search source, where the channel number is specified by x.</p> <p>CH&lt;x&gt;_D&lt;x&gt; specifies a digital reference waveform as the source waveform for the specified search.</p> <p>MATH&lt;x&gt; specifies the math waveform as the search source, where the math number is specified by x.</p> <p>REF&lt;x&gt; specifies the reference waveform as the search source, where the reference number is specified by x.</p> <p>REF&lt;x&gt;_D&lt;x&gt; specifies a digital reference waveform as the source waveform for the specified search.</p> |
| <b>Examples</b>  | <pre>SEARCH:SEARCH1:TRIGger:A:TIMEOut:SOURce SEARCH:SEARCH1:TRIGger:A:TIMEOut:SOURce? might return SEARCH:SEARCH1:TRIGGER:A:TIMEOUT:SOURCE CH1_D0 indicating CH1_D0 is the source.</pre>                                                                                                                                                                                                                                                                                                                                                                                                               |

## SEARCH:SEARCH<x>:TRIGger:A:TIMEOut:THReshold

Sets or queries the source threshold level for a timeout trigger search to determine where to place a mark. The search number is specified by x.

|                  |                                                                                                                                                                                                                                            |
|------------------|--------------------------------------------------------------------------------------------------------------------------------------------------------------------------------------------------------------------------------------------|
| <b>Group</b>     | Search and Mark                                                                                                                                                                                                                            |
| <b>Syntax</b>    | <pre>SEARCH:SEARCH&lt;x&gt;:TRIGger:A:TIMEOut:THReshold &lt;NR3&gt; SEARCH:SEARCH&lt;x&gt;:TRIGger:A:TIMEOut:THReshold?</pre>                                                                                                              |
| <b>Arguments</b> | <NR3> is the source threshold level for a timeout trigger search.                                                                                                                                                                          |
| <b>Examples</b>  | <pre>SEARCH:SEARCH1:TRIGger:A:TIMEOut:THReshold 50.0e-3 sets the threshold to 50.0 mV. SEARCH:SEARCH1:TRIGger:A:TIMEOut:THReshold? might return SEARCH:SEARCH1:TRIGGER:A:TIMEOUT:THRESHOLD 0.0E+0 indicating the threshold is 0.0 V.</pre> |

## SEARCH:SEARCH<x>:TRIGger:A:TIMEOut:TIME

This command sets or queries the time setting for a timeout trigger search to determine where to place a mark. The search number is specified by x.

|                  |                                                                                                                                                                                                                                                                                                           |
|------------------|-----------------------------------------------------------------------------------------------------------------------------------------------------------------------------------------------------------------------------------------------------------------------------------------------------------|
| <b>Group</b>     | Search and Mark                                                                                                                                                                                                                                                                                           |
| <b>Syntax</b>    | SEARCH:SEARCH<x>:TRIGger:A:TIMEOut:TIME <NR3><br>SEARCH:SEARCH<x>:TRIGger:A:TIMEOut:TIME?                                                                                                                                                                                                                 |
| <b>Arguments</b> | <NR3> is the time in seconds.                                                                                                                                                                                                                                                                             |
| <b>Examples</b>  | SEARCH:SEARCH1:TRIGGER:A:TIMEOUT:TIME 400E-9 sets the timeout trigger time setting for search 1 to 400 ns.<br><br>SEARCH:SEARCH1:TRIGGER:A:TIMEOUT:TIME? might return SEARCH:SEARCH1:TRIGGER:A:TIMEOUT:TIME 500.0000E-12, indicating that the timeout trigger time setting for search 1 is set to 500 ns. |

## SEARCH:SEARCH<x>:TRIGger:A:TRANSition:DELTATime

This command sets or queries the transition time setting for a transition trigger search to determine where to place a mark. The search number is specified by x.

|                  |                                                                                                                                                                                                                                                                                                                                 |
|------------------|---------------------------------------------------------------------------------------------------------------------------------------------------------------------------------------------------------------------------------------------------------------------------------------------------------------------------------|
| <b>Group</b>     | Search and Mark                                                                                                                                                                                                                                                                                                                 |
| <b>Syntax</b>    | SEARCH:SEARCH<x>:TRIGger:A:TRANSition:DELTATime <NR3><br>SEARCH:SEARCH<x>:TRIGger:A:TRANSition:DELTATime?                                                                                                                                                                                                                       |
| <b>Arguments</b> | <NR3> specifies the transition time in seconds.                                                                                                                                                                                                                                                                                 |
| <b>Examples</b>  | SEARCH:SEARCH1:TRIGGER:A:TIMEOUT:TIME 400E-9 sets the transition trigger time setting for search 1 to 400 ns.<br><br>SEARCH:SEARCH1:TRIGGER:A:TRANSITION:DELTATIME? might return SEARCH:SEARCH1:TRIGGER:A:TRANSITION:DELTATIME 500.0000E-12, indicating that the transition trigger time setting for search 1 is set to 500 ps. |

## SEARCH:SEARCH<x>:TRIGger:A:TRANSition:LOGICQUALification

This command specifies whether or not to use logic qualification for a transition search. The search number is specified by x.

|              |                 |
|--------------|-----------------|
| <b>Group</b> | Search and Mark |
|--------------|-----------------|

**Syntax** SEARCH:SEARCH<x>:TRIGger:A:TRANSition:LOGICQUALification  
{ON|OFF}  
SEARCH:SEARCH<x>:TRIGger:A:TRANSition:LOGICQUALification?

**Arguments** ON specifies to use logic qualification for a transition search.  
OFF specifies not to use logic qualification for a transition search.

**Examples** SEARCH:SEARCH1:TRIGger:A:TRANSition:LOGICQUALification ON  
specifies to use logic qualification for a transition search.  
SEARCH:SEARCH1:TRIGger:A:TRANSition:LOGICQUALification? might  
return SEARCH:SEARCH1:TRIGGER:A:TRANSITION:LOGICQUALIFICATION  
OFF indicating logic qualification is off.

## SEARCH:SEARCH<x>:TRIGger:A:TRANSition:POLarity

This command specifies the polarity for the transition search. The search number is specified by x.

**Group** Search and Mark

**Syntax** SEARCH:SEARCH<x>:TRIGger:A:TRANSition:POLarity  
{POSitive|NEGative|EITher}  
SEARCH:SEARCH<x>:TRIGger:A:TRANSition:POLarity?

**Arguments** EITher places a mark on a transition of either polarity.  
NEGative places a mark on a transition of negative polarity.  
POSitive places a mark on a transition of positive polarity.

**Examples** SEARCH:SEARCH1:TRIGger:A:TRANSition:POLarity NEGATIVE places a  
mark on a transition of negative polarity.  
SEARCH:SEARCH1:TRIGger:A:TRANSition:POLarity? might return  
SEARCH:SEARCH1:TRIGGER:A:TRANSITION:POLARITY POSITIVE  
indicating the polaity is positive.

## SEARCH:SEARCH<x>:TRIGger:A:TRANSition:SOUrce

This command sets and queries the source for the transition search input. The search number is specified by x.

|                  |                                                                                                                                                                                                                                                                                                                                  |
|------------------|----------------------------------------------------------------------------------------------------------------------------------------------------------------------------------------------------------------------------------------------------------------------------------------------------------------------------------|
| <b>Group</b>     | Search and Mark                                                                                                                                                                                                                                                                                                                  |
| <b>Syntax</b>    | SEARCH:SEARCH<x>:TRIGger:A:TRANSition:SOURce<br>{CH<x> MATH<x> REF<x>}<br>SEARCH:SEARCH<x>:TRIGger:A:TRANSition:SOURce?                                                                                                                                                                                                          |
| <b>Arguments</b> | CH<x> specifies an analog channel as the search source, where the channel number is specified by x.<br><br>MATH<x> specifies the math waveform as the search source, where the math number is specified by x.<br><br>REF<x> specifies the reference waveform as the search source, where the reference number is specified by x. |
| <b>Examples</b>  | SEARCH:SEARCH1:TRIGger:A:TRANSition:SOURce CH1 sets the source to channel 1.<br><br>SEARCH:SEARCH1:TRIGger:A:TRANSition:SOURce? might return<br>SEARCH:SEARCH1:TRIGGER:A:TRANSITION:SOURCE CH2 indicating channel 2 is the source.                                                                                               |

## SEARCH:SEARCH<x>:TRIGger:A:TRANSition:THReshold:HIGH

Sets or queries the source threshold HIGH level for a transition trigger search to determine where to place a mark. The search number is specified by x.

|                  |                                                                                                                                                                                                                                                                             |
|------------------|-----------------------------------------------------------------------------------------------------------------------------------------------------------------------------------------------------------------------------------------------------------------------------|
| <b>Group</b>     | Search and Mark                                                                                                                                                                                                                                                             |
| <b>Syntax</b>    | SEARCH:SEARCH<x>:TRIGger:A:TRANSition:THReshold:HIGH <NR3><br>SEARCH:SEARCH<x>:TRIGger:A:TRANSition:THReshold:HIGH?                                                                                                                                                         |
| <b>Arguments</b> | <NR3> the source threshold HIGH level for a transition trigger search.                                                                                                                                                                                                      |
| <b>Examples</b>  | SEARCH:SEARCH1:TRIGger:A:TRANSition:THReshold:HIGH 50.0e-3 sets the high threshold to 50.0 mV.<br><br>SEARCH:SEARCH1:TRIGger:A:TRANSition:THReshold:HIGH? might return<br>SEARCH:SEARCH1:TRIGGER:A:TRANSITION:THRESHOLD:HIGH 0.0E+0 indicating the high threshold is 0.0 V. |

## SEARCH:SEARCH<x>:TRIGger:A:TRANSition:THReshold:LOW

Sets or queries the source threshold LOW level for a transition trigger search to determine where to place a mark. The search number is specified by x.

|                  |                                                                                                                                                                                                                                                                                |
|------------------|--------------------------------------------------------------------------------------------------------------------------------------------------------------------------------------------------------------------------------------------------------------------------------|
| <b>Group</b>     | Search and Mark                                                                                                                                                                                                                                                                |
| <b>Syntax</b>    | SEARCH:SEARCH<x>:TRIGger:A:TRANSition:THReshold:LOW <NR3><br>SEARCH:SEARCH<x>:TRIGger:A:TRANSition:THReshold:LOW?                                                                                                                                                              |
| <b>Arguments</b> | <NR3> is the source threshold LOW level for a transition trigger searchk.                                                                                                                                                                                                      |
| <b>Examples</b>  | SEARCH:SEARCH1:TRIGger:A:TRANSition:THReshold:LOW -50.0e-3<br>sets the LOW threshold to -50.0 mV.<br><br>SEARCH:SEARCH1:TRIGger:A:TRANSition:THReshold:LOW? might return<br>SEARCH:SEARCH1:TRIGGER:A:TRANSITION:THRESHOLD:LOW 0.0E+0<br>indicating the LOW threshold is 0.0 V. |

## SEARCH:SEARCH<x>:TRIGger:A:TRANSition:WHEn

This command sets or queries the condition setting for a transition trigger search to determine where to place a mark. The search number is specified by x.

|                  |                                                                                                                                                                                                                                                                                                                                                                                                                                                                |
|------------------|----------------------------------------------------------------------------------------------------------------------------------------------------------------------------------------------------------------------------------------------------------------------------------------------------------------------------------------------------------------------------------------------------------------------------------------------------------------|
| <b>Group</b>     | Search and Mark                                                                                                                                                                                                                                                                                                                                                                                                                                                |
| <b>Syntax</b>    | SEARCH:SEARCH<x>:TRIGger:A:TRANSition:WHEn<br>{FASTERthan SLOWERthan EQua1 UNEQua1}<br>SEARCH:SEARCH<x>:TRIGger:A:TRANSition:WHEn?                                                                                                                                                                                                                                                                                                                             |
| <b>Arguments</b> | FASTERthan sets the trigger to occur when the transitioning signal is faster than the set volts/second rate.<br><br>SLOWERthan sets the trigger to occur when the transitioning signal is slower than the set volts/second rate.<br><br>EQua1 sets the trigger to occur when the transitioning signal is equal to the set volts/second rate.<br><br>UNEQua1 sets the trigger to occur when the transitioning signal is not equal to the set volts/second rate. |

**Examples**     `SEARCH:SEARCH1:TRIGGER:A:TRANSITION:WHEN SLOWERTHAN` sets the transition trigger condition setting for search 1 to SLOWERTHAN.

`SEARCH:SEARCH1:TRIGGER:A:TRANSITION:WHEN?` might return `SEARCH:SEARCH1:TRIGGER:A:TRANSITION:WHEN FASTERTHAN`, indicating that the transition trigger condition setting for search 1 is set to FASTERTHAN.

## SEARCH:SEARCH<x>:TRIGger:A:TYPE

This command sets or queries the trigger type setting for a search to determine where to place a mark. The search number is specified by x.

**Group**     Search and Mark

**Syntax**     `SEARCH:SEARCH<x>:TRIGger:A:TYPE`  
                   `{EDGE|RUNT|TRANSITION|PULSEwidth|TIMEOut|LOGic|`  
                   `SETHold|WINDow|Bus|DDRRead|DDRREADwrite|DDRwrite}`  
                   `SEARCH:SEARCH<x>:TRIGger:A:TYPE?`

**Arguments**     EDGE triggers when the source input signal amplitude crosses the specified level in the direction given by the slope.

---

**NOTE.** *Some trigger types are optional.*

---

RUNT triggers when a pulse crosses the first preset voltage threshold but does not cross the second preset threshold before recrossing the first. The thresholds are set with the `SEARCH:SEARCH<x>:TRIGger:A:RUNt:HIGH` and `SEARCH:SEARCH<x>:TRIGger:A:RUNt:LOW THRESHOLD` commands.

TRANSITION triggers when a pulse crosses both thresholds in the same direction as the specified polarity and the transition time between the two threshold crossings is greater or less than the specified time delta.

PULSEwidth triggers on input signal source pulses that are inside or outside of the given time range specified by `SEARCH:SEARCH<x>:TRIGger:A:LOGic:PATtern:WHEn:LESSLimit` and `SEARCH:SEARCH<x>:TRIGger:A:LOGic:PATtern:WHEn:MORELimit`. The polarity is selected using the `SEARCH:SEARCH<x>:TRIGger:A:RUNt:POLarity` command.

TIMEOut triggers on an input signal source that stays above, stays below, or stays either above or below the trigger level for a given time.

LOGIC specifies that a search occurs when specified conditions are met, and is controlled by the `SEARCH:A:LOGic` commands.

SETHold triggers on a functional pattern combination of one to three data sources at the time of the clock transition.

WINDOW triggers on an input signal source that enters or exits the horizontal band defined by the two trigger levels.

BUS specifies that a search occurs when a communications signal is found.

DDRRead triggers on a DDR Read event.

DDRREADWrite triggers on a DDR Read or Write event.

DDRWrite triggers on a DDR Write event.

**Examples** SEARCH:SEARCH1:TRIGGER:A:TYPE RUNT sets the trigger type setting for search 1 to RUNT.

SEARCH:SEARCH1:TRIGGER:A:TYPE? might return  
SEARCH:SEARCH1:TRIGGER:A:TYPE EDGE, indicating that the trigger type setting for search 1 is set to EDGE.

## SEARCH:SEARCH<x>:TRIGger:A:WINDow:CROSSIng

This command sets or queries the window trigger threshold crossing of the selected trigger Source. The threshold crossing selection is only effective when :TRIGger:A:WINDow:WHEN is INSIDEGreater or OUTSIDEGreater. The search number is specified by x.

**Group** Search and Mark

**Syntax** SEARCH:SEARCH<x>:TRIGger:A:WINDow:CROSSIng  
{UPPER|LOWER|EITHER|NONE}  
SEARCH:SEARCH<x>:TRIGger:A:WINDow:CROSSIng?

**Arguments** UPPER if :TRIGger:A:WINDow:WHEN is INSIDEGreater, the instrument triggers when the signal remains between the upper and lower thresholds for longer than the time limit (:TRIGger:A:WINDow:WIDTH) and then exits through the upper threshold. If :TRIGger:A:WINDow:WHEN is OUTSIDEGreater, the instrument triggers when the signal remains above the upper threshold for longer than the time limit (:TRIGger:A:WINDow:WIDTH) and then crosses downward through the upper threshold.

LOWER if :TRIGger:A:WINDow:WHEN is INSIDEGreater, the instrument triggers when the signal remains between the upper and lower thresholds for longer than the time limit (:TRIGger:A:WINDow:WIDTH) and then exits through the lower threshold. If :TRIGger:A:WINDow:WHEN is OUTSIDEGreater, the instrument triggers when the signal remains below the lower threshold for longer



than the time limit (:TRIGGER:A:WINDOW:WIDTH) and then crosses upwards through the lower threshold.

EITHER if :TRIGGER:A:WINDOW:WHEN is INSIDEGreater, the instrument triggers when the signal remains between the upper and lower thresholds for longer than the time limit (:TRIGGER:A:WINDOW:WIDTH) and then exits through either the upper or lower threshold. If :TRIGGER:A:WINDOW:WHEN is OUTSIDEGreater, the instrument triggers when the signal remains either above the upper threshold or below the lower threshold for longer than the time limit (:TRIGGER:A:WINDOW:WIDTH) and then crosses a threshold.

NONE if :TRIGGER:A:WINDOW:WHEN is INSIDEGreater, the instrument triggers when the signal remains between the upper and lower thresholds for longer than the time limit (:TRIGGER:A:WINDOW:WIDTH) without crossing through either the upper or lower threshold. If :TRIGGER:A:WINDOW:WHEN is OUTSIDEGreater, the instrument triggers when the signal remains outside the upper and lower thresholds for longer than the time limit (:TRIGGER:A:WINDOW:WIDTH) without crossing through either the upper or lower threshold.

**Examples** SEARCH:SEARCH1:TRIGGER:A:WINDOW:CROSSING LOWER sets the CROSSING to LOWER.

SEARCH:SEARCH1:TRIGGER:A:WINDOW:CROSSING? might return SEARCH:SEARCH1:TRIGGER:A:WINDOW:CROSSING UPPER indicating that CROSSING is set to UPPER.

## SEARCH:SEARCH<x>:TRIGGER:A:WINDOW:LOGICQUALification

This command specifies or queries whether or not to use logic qualification for a window search. The search number is specified by x.

**Group** Search and Mark

**Syntax** SEARCH:SEARCH<x>:TRIGGER:A:WINDOW:LOGICQUALification  
{ON|OFF}  
SEARCH:SEARCH<x>:TRIGGER:A:WINDOW:LOGICQUALification?

**Arguments** ON specifies to use logic qualification for a window search.  
OFF specifies not to use logic qualification for a window search.

**Examples** SEARCH:SEARCH1:TRIGGER:A:WINDOW:LOGICQUALification ON turns ON logic qualification for a window search.

SEARCH:SEARCH1:TRIGGER:A:WINDOW:LOGICQUALIFICATION? might return SEARCH:SEARCH1:TRIGGER:A:WINDOW:LOGICQUALIFICATION OFF indicating logic qualification is off.

## SEARCH:SEARCH<x>:TRIGGER:A:WINDOW:POLARITY

This command sets or queries the window trigger threshold crossing of the selected trigger Source. The search number is specified by x.

**Group** Search and Mark

**Syntax** SEARCH:SEARCH<x>:TRIGGER:A:WINDOW:POLARITY  
{UPPER|LOWER|EITHER|NONE}  
SEARCH:SEARCH<x>:TRIGGER:A:WINDOW:POLARITY?

**Arguments** UPPER specifies that the instrument triggers when the signal remains above the upper threshold for longer than the time limit and then crosses downward through the upper threshold.

LOWER specifies that the instrument triggers when the signal remains below the lower threshold for longer than the time limit and then crosses upwards through the lower threshold.

EITHER specifies that the instrument triggers when the signal remains either above the upper threshold or below the lower threshold for longer than the time limit and then crosses a threshold.

NONE specifies that the instrument triggers when the signal remains outside the upper and lower thresholds for longer than the time limit without crossing through either the upper or lower threshold.

**Examples** SEARCH:SEARCH1:TRIGGER:A:WINDOW:POLARITY LOWER sets the polarity to lower.

SEARCH:SEARCH1:TRIGGER:A:WINDOW:POLARITY? might return SEARCH:SEARCH1:TRIGGER:A:WINDOW:POLARITY UPPER indicating the polarity is set to upper.

## SEARCH:SEARCH<x>:TRIGGER:A:WINDOW:SOURCE

This command sets and queries the source for the window search input. The search number is specified by x.

**Group** Search and Mark

|                  |                                                                                                                                                                                                                                                                                                                                  |
|------------------|----------------------------------------------------------------------------------------------------------------------------------------------------------------------------------------------------------------------------------------------------------------------------------------------------------------------------------|
| <b>Syntax</b>    | SEARCH:SEARCH<x>:TRIGger:A:WINDow:SOUrcE<br>{CH<x> MATH<x> REF<x>}<br>SEARCH:SEARCH<x>:TRIGger:A:WINDow:SOUrcE?                                                                                                                                                                                                                  |
| <b>Arguments</b> | CH<x> specifies an analog channel as the search source, where the channel number is specified by x.<br><br>MATH<x> specifies the math waveform as the search source, where the math number is specified by x.<br><br>REF<x> specifies the reference waveform as the search source, where the reference number is specified by x. |
| <b>Examples</b>  | SEARCH:SEARCH1:TRIGger:A:WINDow:SOUrcE CH2 sets the source to channel 2.<br><br>SEARCH:SEARCH1:TRIGger:A:WINDow:SOUrcE? might return<br>SEARCH:SEARCH1:TRIGGER:A:WINDOW:SOURCE CH3 indicating the source is channel 3.                                                                                                           |

## SEARCH:SEARCH<x>:TRIGger:A:WINDow:THReshold:HIGH

This command sets or queries the source threshold HIGH level for a transition trigger search to determine where to place a mark. The search number is specified by x.

|                  |                                                                                                                                                                                                                                                                 |
|------------------|-----------------------------------------------------------------------------------------------------------------------------------------------------------------------------------------------------------------------------------------------------------------|
| <b>Group</b>     | Search and Mark                                                                                                                                                                                                                                                 |
| <b>Syntax</b>    | SEARCH:SEARCH<x>:TRIGger:A:WINDow:THReshoLd:HIGH <NR3><br>SEARCH:SEARCH<x>:TRIGger:A:WINDow:THReshoLd:HIGH?                                                                                                                                                     |
| <b>Arguments</b> | <NR3> is the source threshold HIGH level for a transition trigger search.                                                                                                                                                                                       |
| <b>Examples</b>  | SEARCH:SEARCH1:TRIGger:A:WINDow:THReshoLd:HIGH 50.0e-3 sets the high threshold to 50.0 mV.<br><br>SEARCH:SEARCH1:TRIGger:A:WINDow:THReshoLd:HIGH? might return<br>SEARCH:SEARCH1:TRIGGER:A:WINDOW:THRESHOLD:HIGH 0.0E+0 indicating the high threshold is 0.0 V. |

## SEARCH:SEARCH<x>:TRIGger:A:WINDow:THReshold:LOW

This command sets or queries the source threshold LOW level for a transition trigger search to determine where to place a mark. The search number is specified by x.

|                  |                                                                                                                                                                                                                                                           |
|------------------|-----------------------------------------------------------------------------------------------------------------------------------------------------------------------------------------------------------------------------------------------------------|
| <b>Group</b>     | Search and Mark                                                                                                                                                                                                                                           |
| <b>Syntax</b>    | SEARCH:SEARCH<x>:TRIGger:A:WINDow:THReshold:LOW <NR3><br>SEARCH:SEARCH<x>:TRIGger:A:WINDow:THReshold:LOW?                                                                                                                                                 |
| <b>Arguments</b> | <NR3> the source threshold LOW level for a transition trigger search                                                                                                                                                                                      |
| <b>Examples</b>  | SEARCH:SEARCH1:TRIGger:A:WINDow:THReshold:LOW -50.0e-3 sets the low threshold to -50.0 mV.<br><br>SEARCH:SEARCH1:TRIGger:A:WINDow:THReshold:LOW? might return SEARCH:SEARCH1:TRIGGER:A:WINDOW:THRESHOLD:LOW 0.0E+0 indicating the low threshold is 0.0 V. |

## SEARCH:SEARCH<x>:TRIGger:A:WINDow:WHEn

This command sets or queries the window search event. The search number is specified by x.

|                  |                                                                                                                                                                                                                                                                                                                                                                                                                                     |
|------------------|-------------------------------------------------------------------------------------------------------------------------------------------------------------------------------------------------------------------------------------------------------------------------------------------------------------------------------------------------------------------------------------------------------------------------------------|
| <b>Group</b>     | Search and Mark                                                                                                                                                                                                                                                                                                                                                                                                                     |
| <b>Syntax</b>    | SEARCH:SEARCH<x>:TRIGger:A:WINDow:WHEn<br>{ENTERSWindow EXITSWindow  INSIDEGreater OUTSIDEGreater}<br>SEARCH:SEARCH<x>:TRIGger:A:WINDow:WHEn?                                                                                                                                                                                                                                                                                       |
| <b>Arguments</b> | ENTERSWindow specifies a window search when the signal enters the window.<br>EXITSWindow specifies a window search when the signal exits the window.<br>OUTSIDEGreater specifies a search when the signal leaves the window defined by the threshold levels for the time specified by Width.<br>INSIDEGreater specifies a search when the signal enters the window defined by the threshold levels for the time specified by Width. |
| <b>Examples</b>  | SEARCH:SEARCH1:TRIGger:A:WINDow:WHEn EXITSWINDOW specifies a window search when the signal exits the window.                                                                                                                                                                                                                                                                                                                        |

SEARCH:SEARCH1:TRIGger:A:WINDow:WHEN? might return  
 SEARCH:SEARCH1:TRIGGER:A:WINDOW:WHEN ENTERSWINDOW indicating a  
 window search when the signal enters the window.

## SEARCH:SEARCH<x>:TRIGger:A:WINDow:WIDth

This command sets or queries the width setting for a window trigger search to determine where to place a mark. The search number is specified by x.

|                  |                                                                                                                                                                                                                                                                                                                     |
|------------------|---------------------------------------------------------------------------------------------------------------------------------------------------------------------------------------------------------------------------------------------------------------------------------------------------------------------|
| <b>Group</b>     | Search and Mark                                                                                                                                                                                                                                                                                                     |
| <b>Syntax</b>    | SEARCH:SEARCH<x>:TRIGger:A:WINDow:WIDth <NR3><br>SEARCH:SEARCH<x>:TRIGger:A:WINDow:WIDth?                                                                                                                                                                                                                           |
| <b>Arguments</b> | <NR3> specifies the minimum width in seconds.<br><br>ECL specifies a preset high level of -1.3 V and TTL specifies a preset high level of +1.4V.                                                                                                                                                                    |
| <b>Examples</b>  | SEARCH:SEARCH1:TRIGGER:A:WINDOW:WIDTH 400E-12 sets the window<br>trigger width setting for search 1 to 0.4 ns.<br><br>SEARCH:SEARCH1:TRIGGER:A:WINDOW:WIDTH? might return<br>SEARCH:SEARCH1:TRIGGER:A:WINDOW:WIDTH 500.0000E-12, indicating<br>that the window trigger width setting for search 1 is set to 0.5 ns. |

## SEARCH:SELEcted

This command sets or queries the selected search, for example SEARCH1. The search number is specified by x.

|                  |                                                                                                                                                        |
|------------------|--------------------------------------------------------------------------------------------------------------------------------------------------------|
| <b>Group</b>     | Search and Mark                                                                                                                                        |
| <b>Syntax</b>    | SEARCH:SELEcted SEARCH1                                                                                                                                |
| <b>Arguments</b> | SEARCH1 is the specified search.                                                                                                                       |
| <b>Examples</b>  | SEARCH:SELEcted SEARCH1 specifies a search 1 search.<br><br>SEARCH:SELEcted? might return :SEARCH:SELECTED SEARCH1 indicating<br>search 1 is selected. |

## SEARCHTABLE:ADDNew (No Query Form)

This command adds a new search event table in an Option 5-WIN (Microsoft Windows 10 OS) TekExpress compliance testing application.

**Group** Search and Mark

**Syntax** SEARCHTABLE:ADDNew <qstring>

**Arguments** <qstring> contains the name of the search table. "TABLE" should be the argument prefix followed by a non-zero integer.

**Examples** SEARCHTABLE:ADDNew "TABLE1" adds the TABLE1 in the display area.

## SEARCHTABLE:DELeTe (No Query Form)

This command deletes a search event table in an Option 5-WIN (Microsoft Windows 10 OS) TekExpress compliance testing application.

**Group** Search and Mark

**Syntax** SEARCHTABLE:DELeTe <qstring>

**Arguments** <qstring> contains the name of the search table. "TABLE" should be the argument prefix followed by a non-zero integer.

**Examples** SEARCHTABLE:DELeTe "TABLE1" removes the TABLE1 from the display area.

## SEARCHTABLE:list? (Query Only)

This command queries all search event table in an Option 5-WIN (Microsoft Windows 10 OS) TekExpress compliance testing application.

**Group** Search and Mark

**Syntax** SEARCHTABLE:list?

**Returns** Returns a list of all the search event tables in the display area.

**Examples** `SEARCHTABLE:LIST?` might return `TABLE1`, `TABLE2`, `TABLE3`, indicating the names of the three search event tables in the display area.

## SElect:CH<x>

Turns the display of the channel <x> waveform on or off, where <x > is the channel number. This command also resets the acquisition. The query returns whether the channel is on or off but does not indicate whether it is the specified waveform.

**Group** Vertical

**Syntax** `SElect:CH<x> {ON|OFF|1|0}`  
`SElect:CH<x>?`

**Arguments** `ON` turns on the display of the specified waveform. This waveform also becomes the selected waveform.

`OFF` turns off the display of the specified waveform.

`1` turns on the display of the specified waveform. This waveform also becomes the selected waveform.

`0` turns off the display of the specified waveform.

**Examples** `SELECT:CH2 ON` turns the channel 2 waveform display on, and selects channel 2.  
`SELECT:CH1?` might return `:SELECT:CH1 1` indicating that channel 1 is being displayed.

## SET? (Query Only)

This query-only command returns the commands that list the instrument settings, except for configuration information for the calibration values. You can use these commands to return the instrument to the state it was in when you made the `SET?` query. The `SET?` query always returns command headers, regardless of the setting of the `HEADer` command. This is because the returned commands are intended to be sent back to the instrument as a command string. The `VERBose` command can still be used to specify whether the returned headers should be abbreviated or full-length.

This command is identical to the `*LRN?` command.

|                         |                                                                                                                                                                                                                                                                                                                                                                                                                                                                                                                                                                                                                                                                                                                                                                                                                                                                                                                                                                                                                                                                                                                       |
|-------------------------|-----------------------------------------------------------------------------------------------------------------------------------------------------------------------------------------------------------------------------------------------------------------------------------------------------------------------------------------------------------------------------------------------------------------------------------------------------------------------------------------------------------------------------------------------------------------------------------------------------------------------------------------------------------------------------------------------------------------------------------------------------------------------------------------------------------------------------------------------------------------------------------------------------------------------------------------------------------------------------------------------------------------------------------------------------------------------------------------------------------------------|
| <b>Group</b>            | Miscellaneous                                                                                                                                                                                                                                                                                                                                                                                                                                                                                                                                                                                                                                                                                                                                                                                                                                                                                                                                                                                                                                                                                                         |
| <b>Syntax</b>           | SET?                                                                                                                                                                                                                                                                                                                                                                                                                                                                                                                                                                                                                                                                                                                                                                                                                                                                                                                                                                                                                                                                                                                  |
| <b>Related Commands</b> | <a href="#">HEADer</a><br><a href="#">*LRN?</a><br><a href="#">VERBose</a>                                                                                                                                                                                                                                                                                                                                                                                                                                                                                                                                                                                                                                                                                                                                                                                                                                                                                                                                                                                                                                            |
| <b>Examples</b>         | <p>SET? might return the following response: :ACQUIRE:STOPAFTER<br/>           RUNSTOP;STATE 1;MODE SAMPLE;NUMENV 10;NUMAVG 16;REPET<br/>           1;:FASTACQ:STATE 0;:APPLICATION:GPKNOB1:ACTIVE<br/>           0;:APPLICATION:GPKNOB2:ACTIVE 0;:APPLICATION:WINDOW:HEIGHT<br/>           236;WIDTH 640;:APPLICATION:SCOPEAPP:STATE<br/>           RUNNING;WINDOW FULLSCREEN;:APPLICATION:EXTAPP:STATE<br/>           NOTRUNNING;:AUXOUT:SOURCE ATRIGGER;EDGE FALLING;:CMDBATCH<br/>           1;:HEADER 1;:LOCK NONE;:ROSC:SOURCE INTERNAL;:VERBOSE<br/>           1;:ALIAS:STATE 0;:DISPLAY:CLOCK 1;COLOR:PALETTE<br/>           NORMAL;MATHCOLOR DEFAULT;REFCOLOR DEFAULT;:DISPLAY:FILTER<br/>           SINX;FORMAT YT;GRATICULE FULL;INTENSITY:WAVEFORM<br/>           75.0000;AUTOBRIGHT 1;:DISPLAY:PERSISTENCE<br/>           OFF;STYLE VECTORS;TRIGBAR SHORT;TRIGT 1;VARPERSIST<br/>           500.0000E-3;PORT FILE;:DIAG:LEVEL SUBSYS;:TRIGGER:A:MODE<br/>           AUTO;TYPE EDGE;LEVEL 0.0000;HOLDOFF:BY DEFAULT;TIME<br/>           1.5000E-6;:TRIGGER:A:EDGE:SOURCE CH1;COUPLING DC;SLOPE RISE;.</p> |

## SOCKETServer:ENABle

This command enables or disables the socket server which supports a telnet or other TCPIP socket connection to send commands and queries to the instrument. The default state is enabled.

|                  |                                                                                                                                                                                                                                                                                                                                                                               |
|------------------|-------------------------------------------------------------------------------------------------------------------------------------------------------------------------------------------------------------------------------------------------------------------------------------------------------------------------------------------------------------------------------|
| <b>Group</b>     | Miscellaneous                                                                                                                                                                                                                                                                                                                                                                 |
| <b>Syntax</b>    | SOCKETServer:ENABle {0 1 OFF ON}<br>SOCKETServer:ENABle?                                                                                                                                                                                                                                                                                                                      |
| <b>Arguments</b> | 1 enables the socket server. If the state is 0 (disabled) and this command is sent to enable the socket server when the port is in use by another service, then the error event code 221 (Settings conflict) is posted to the event queue and the socket server remains disabled. In this case, select a different port number and attempt to enable the socket server again. |



0 disables the socket server.  
 ON enables the socket server.  
 OFF disables the socket server.

**Examples**    `SOCKETSERVER:ENABLE` On enables the socket server.  
`SOCKETSERVER:ENABLE?` might return `:SOCKETSERVER:ENABLE 1` indicating the socket server is enabled.

## SOCKETServer:PORT

This command sets the TCPIP port for the socket server connection.

**Group**    Miscellaneous

**Syntax**    `SOCKETServer:PORT <NR1>`  
`SOCKETServer:PORT?`

**Arguments**    `<NR1>` is the TCPIP port for the socket server connection.  
 If the socket server is enabled and the port specified is in use by another service, then the error event code 221 (Settings conflict) is posted to the event queue and the socket server remains in its current state (i.e. enabled/disabled and port address remain unchanged).  
 Similarly, if any sessions are active when the port is changed, this same error event may be posted to the event queue and the port will remain unchanged. In this case, exit all current sessions and send the `:SOCKETServer:PORT` command again.

**Examples**    `SOCKETSERVER:PORT 4000` sets the socket server port number to 4000.  
`SOCKETSERVER:PORT?` might return `:SOCKETSERVER:PORT 4000` indicating that the port number is 4000.

## SOCKETServer:PROTOCOL

This command sets or queries the protocol for the socket server.

**Group**    Miscellaneous

**Syntax** SOCKETServer:PROTOCOL {TERMiNa1|NONE}  
SOCKETServer:PROTOCOL?

**Arguments** TERMiNa1 specifies terminal protocol for the socket server. When set to TERMiNa1, a session startup message is sent to the socket and a command prompt is provided.

NONE disables the terminal features, allowing the server to be used for raw socket transactions, such as with a VISA socket server. The default setting is NONE.

**Examples** SOCKETSERVER:PROTOCOL NONE sets the protocol to none.

SOCKETSERVER:PROTOCOL? might return :SOCKETSERVER:PROTOCOL  
TERMINAL indicating the protocol is set to terminal.

## \*SRE

The \*SRE (Service Request Enable) command sets and queries the bits in the Service Request Enable Register. For more information, refer to Registers.

**Group** Status and Error

**Syntax** \*SRE <NR1>  
\*SRE?

**Related Commands** \*CLS  
DESE  
\*ESE  
\*ESR?  
EVENT?  
EVMsg?  
FACTory  
\*STB?

**Arguments** <NR1> is a value in the range from 0 through 255. The binary bits of the SRER are set according to this value. Using an out-of-range value causes an execution error. The power-on default for SRER is 0 if \*PSC is 1. If \*PSC is 0, the SRER maintains the previous power cycle value through the current power cycle.

**Examples** \*SRE 48 sets the bits in the SRER to binary 00110000.  
 \*SRE? might return 32, showing that the bits in the SRER have the binary value of 00100000.

## \*STB? (Query Only)

The \*STB? (Read Status Byte) query returns the contents of the Status Byte Register (SBR) using the Master Summary Status (MSS) bit. For more information, refer to Registers.

**Group** Status and Error

**Syntax** \*STB?

**Related Commands** [\\*CLS](#)  
[DESE](#)  
[\\*ESE](#)  
[\\*ESR?](#)  
[EVENT?](#)  
[EVMsg?](#)  
[FACtory](#)  
[\\*SRE](#)

**Returns** <NR1>

**Examples** \*STB? might return 96, showing that the SBR contains the binary value 01100000.

## SV:CH<x>:RF\_AVErage:NUMAVg

This command sets or queries the number of acquisitions to be used when creating the Average trace for the specified spectrum trace channel in the Spectrum View. The Average spectrum trace shows the average of values from multiple acquisitions at each trace point.

**Group** Spectrum View

**Syntax**     SV:CH<x>:RF\_AVErAge:NUMAVg <NR1>  
              SV:CH<x>:RF\_AVErAge:NUMAVg?

**Arguments**   CH<x> specifies the spectrum trace channel source.  
  
              <NR1> specifies the number of acquisitions to average. The range is 2 - 512, in exponential increments.

**Examples**     SV:CH1:RF\_AVErAge:NUMAVg 100 sets the number of acquisitions to use for the Average spectrum trace of channel 1 to 128 (the closest power of 2 increment).  
  
              SV:CH2:RF\_AVErAge:NUMAVg? might return 16, indicating that the number of averages for the channel 2 Average spectrum trace is set to 16.

## SV:CH<x>:RF\_MAGNitude:FORMat

This command sets or queries the format of the Magnitude vs. Time trace for the specified channel.

**Conditions**   Requires option SV-RFVT

**Group**        Spectrum View

**Syntax**       SV:CH<x>:RF\_MAGNitude:FORMat {AMPLINear|POWLINear|POWLOG}  
              SV:CH<x>:RF\_MAGNitude:FORMat?

**Related Commands**   [DISplay:WAVEView<x>:RF\\_PHASe<x>:VERTical:POSition](#)

**Arguments**   CH<x> is the channel number of the Magnitude vs. Time trace.  
  
              AMPLINear (Amplitude (linear)) sets the magnitude in Volts with square root conversion of linear power values.  
  
              POWLINear (Power (linear)) sets the magnitude in Watts with direct use of linear power values.  
  
              POWLOG (Power (log)) sets the magnitude in dB using log conversion of linear power values.

**Examples**     SV:CH2:RF\_MAGNitude:FORMat AMPLINear sets the Channel 2 Magnitude vs. Time trace to be shown with linear power values.

SV:CH1:RF\_MAGNitude:FORMat? might return  
 SV:CH1:RF\_MAGNitude:FORMat POWLOG, indicating that the Channel 1  
 Magnitude vs. Time trace is displayed with log power values.

## SV:CH<x>:RF\_PHASE:REFerence:DEGrees

This command sets or queries the channel Phase Reference value in degrees.

**Conditions** Requires option SV-RFVT

**Group** Spectrum View

**Syntax** SV:CH<x>:RF\_PHASE:REFerence:DEGrees <NR3>  
 SV:CH<x>:RF\_PHASE:REFerence:DEGrees?

**Related Commands** [SV:CH<x>:RF\\_PHASE:REFerence:TIME](#), [SV:CH<x>:RF\\_PHASE:REFerence:POSition](#), [SV:RF\\_PHASE:REFerence:MASTer](#)

**Arguments** CH<x> is the channel number of the Phase vs. Time trace.  
 <NR3> is the Phase Reference value, in degrees. This indicates a fixed phase value at the phase time set by SV:CH<x>:RF\_PHASE:REFerence:TIME. If CH<x> is the master phase reference, then the value is used to calculate the phase values of all other channels.

**Examples** SV:CH1:RF\_PHASE:REFerence:DEGrees 25 sets the Phase Reference value to 25 degrees.

SV:CH2:RF\_PHASE:REFerence:DEGrees? might return  
 SV:CH2:RF\_PHASE:REFerence:DEGrees 0, indicating that the  
 Phase Reference value is 0 degrees.

## SV:CH<x>:RF\_PHASE:REFerence:POSition

This command sets or queries whether the channel Phase Reference is located at the Trigger position or at the Cursor A position.

**Conditions** Requires option SV-RFVT

**Group** Spectrum View

|                         |                                                                                                                                                                                                                                                                                                |
|-------------------------|------------------------------------------------------------------------------------------------------------------------------------------------------------------------------------------------------------------------------------------------------------------------------------------------|
| <b>Syntax</b>           | SV:CH<x>:RF_PHASE:REfERENCE:POsITION {TRIGger CURSor}<br>SV:CH<x>:RF_PHASE:REfERENCE:POsITION?                                                                                                                                                                                                 |
| <b>Related Commands</b> | SV:CH<x>:RF_PHASE:REfERENCE:TIME, SV:CH<x>:RF_PHASE:REfERENCE:DEGrees, SV:RF_PHASE:REfERENCE:MASTer                                                                                                                                                                                            |
| <b>Arguments</b>        | CH<x> is the channel number of the Phase vs. Time trace.<br><br>TRIGger sets the Phase Reference location to the Trigger position.<br><br>CURSor sets the channel Phase Reference location to the phase time set by SV:CH<x>:RF_PHASE:REfERENCE:TIME, which defaults to the Cursor A position. |
| <b>Examples</b>         | SV:CH1:RF_PHASE:REfERENCE:POsITION TRIGger sets the Phase Reference location to the Trigger position.<br><br>SV:CH2:RF_PHASE:REfERENCE:POsITION? might return<br>SV:CH2:RF_PHASE:REfERENCE:POsITION CURSor, indicating that the Phase Reference location is at the Cursor A position.          |

## SV:CH<x>:RF\_PHASE:REfERENCE:TIME

This command sets or queries the channel Phase Reference time in seconds.

|                         |                                                                                                                                                                                                                                                                                                                                                                                                                                                            |
|-------------------------|------------------------------------------------------------------------------------------------------------------------------------------------------------------------------------------------------------------------------------------------------------------------------------------------------------------------------------------------------------------------------------------------------------------------------------------------------------|
| <b>Conditions</b>       | Requires option SV-RFVT                                                                                                                                                                                                                                                                                                                                                                                                                                    |
| <b>Group</b>            | Spectrum View                                                                                                                                                                                                                                                                                                                                                                                                                                              |
| <b>Syntax</b>           | SV:CH<x>:RF_PHASE:REfERENCE:TIME <NR3><br>SV:CH<x>:RF_PHASE:REfERENCE:TIME?                                                                                                                                                                                                                                                                                                                                                                                |
| <b>Related Commands</b> | SV:CH<x>:RF_PHASE:REfERENCE:DEGrees, SV:CH<x>:RF_PHASE:REfERENCE:POsITION, SV:RF_PHASE:REfERENCE:MASTer                                                                                                                                                                                                                                                                                                                                                    |
| <b>Arguments</b>        | CH<x> is the channel number of the Phase vs. Time trace.<br><br><NR3> is the Phase Reference time, in seconds. This indicates the time at which the phase value set by SV:CH<x>:RF_PHASE:REfERENCE:DEGrees is applied. If the phase position set by SV:CH<x>:RF_PHASE:REfERENCE:POsITION is TRIGger, then the phase time is fixed at 0 seconds and cannot be changed. If the phase position is CURSor, then the phase time may be set to any value, and is |

initialized to the position of Cursor A. If CH<x> is the master phase reference, then the time is used to calculate the phase values of all other channels.

**Examples** `SV:CH1:RF_PHASE:REFERENCE:TIME 25e-9` sets the Phase Reference time to 25 ns.

`SV:CH2:RF_PHASE:REFERENCE:TIME?` might return  
`SV:CH2:RF_PHASE:REFERENCE:TIME 0`, indicating that the Phase Reference time is 0 seconds.

## SV:CH<x>:RF\_PHASE:WRAP:DEGREES

This command sets or queries the Phase Wrap limit for the Phase vs. Time trace for the specified channel.

**Conditions** Requires option SV-RFVT

**Group** Spectrum View

**Syntax** `SV:CH<x>:RF_PHASE:WRAP:DEGREES <NR3>`  
`SV:CH<x>:RF_PHASE:WRAP:DEGREES?`

**Arguments** CH<x> is the channel number of the Phase vs. Time trace.  
 <NR3> sets the number of wrap degrees, from 180 degrees to infinity. When Phase Wrap is enabled, the phase values in the Phase vs Time waveform are constrained to be within  $\pm$  the specified limit. Phase values below or above the limit are wrapped by repeatedly adding or subtracting 360 degrees until they are within range.

**Examples** `SV:CH2:RF_PHASE:WRAP:DEGREES 200` sets the Phase Wrap limit for the Channel 2 Phase vs. Time trace to 200 degrees.  
`SV:CH1:RF_PHASE:WRAP:DEGREES?` might return  
`SV:CH1:RF_PHASE:WRAP:DEGREES 210`, indicating that the Phase Wrap limit for the Channel 1 Phase vs. Time trace is 210 degrees.

## SV:CH<x>:RF\_PHASE:WRAP:STATE

This command sets or queries whether Phase Wrap is applied to the Phase vs. Time trace for the specified channel.

|                   |                                                                                                                                                                                                                                                                               |
|-------------------|-------------------------------------------------------------------------------------------------------------------------------------------------------------------------------------------------------------------------------------------------------------------------------|
| <b>Conditions</b> | Requires option SV-RFVT                                                                                                                                                                                                                                                       |
| <b>Group</b>      | Spectrum View                                                                                                                                                                                                                                                                 |
| <b>Syntax</b>     | SV:CH<x>:RF_PHASE:WRAP:STATE {ON OFF}<br>SV:CH<x>:RF_PHASE:WRAP:STATE?                                                                                                                                                                                                        |
| <b>Arguments</b>  | CH<x> is the channel number of the Phase vs. Time trace.<br>ON enables applying phase wrap on the specified Phase vs. Time channel trace.<br>OFF disables applying phase wrap on the specified Phase vs. Time channel trace.                                                  |
| <b>Examples</b>   | SV:CH5:RF_PHASE:WRAP:STATE ON turns on (enables)Phase Wrap for the Channel 5 Phase vs. Time trace.<br>SV:CH1:RF_PHASE:WRAP:STATE? might return<br>SV:CH1:RF_PHASE:WRAP:STATE OFF, indicating that Phase Wrap is turned off (disabled) for the Channel 1 Phase vs. Time trace. |

## SV:CH<x>:SELEct:RF\_AVErage

This command sets or queries whether the Average trace is displayed for the specified spectrum trace channel in the Spectrum View.

|                  |                                                                                                                                                                                                                                                                                                                                                                                                                         |
|------------------|-------------------------------------------------------------------------------------------------------------------------------------------------------------------------------------------------------------------------------------------------------------------------------------------------------------------------------------------------------------------------------------------------------------------------|
| <b>Group</b>     | Spectrum View                                                                                                                                                                                                                                                                                                                                                                                                           |
| <b>Syntax</b>    | SV:CH<x>:SELEct:RF_AVErage {ON 1 OFF 0}<br>SV:CH<x>:SELEct:RF_AVErage?                                                                                                                                                                                                                                                                                                                                                  |
| <b>Arguments</b> | CH<x> specifies the spectrum trace channel source.<br>ON enables the display of the Average trace for the specified spectrum trace channel.<br>OFF disables the display of the Average trace for the specified spectrum trace channel.<br>1 enables the display of the Average trace for the specified spectrum trace channel.<br>0 disables the display of the Average trace for the specified spectrum trace channel. |
| <b>Examples</b>  | SV:CH3:SELEct:RF_AVErage ON turns on the display of the Average trace for the channel 3 spectrum trace.                                                                                                                                                                                                                                                                                                                 |



`SV:CH1:SElect:RF_AVErAge?` might return 0, indicating that the Average trace for the channel 1 spectrum trace is turned off.

## **SV:CH<x>:SElect:RF\_FREQUency**

This command sets or queries whether the Frequency vs. Time trace for the specified channel is displayed in the Waveform View.

|                   |                                                                                                                                                                                                                                                                                               |
|-------------------|-----------------------------------------------------------------------------------------------------------------------------------------------------------------------------------------------------------------------------------------------------------------------------------------------|
| <b>Conditions</b> | Requires option SV-RFVT                                                                                                                                                                                                                                                                       |
| <b>Group</b>      | Spectrum View                                                                                                                                                                                                                                                                                 |
| <b>Syntax</b>     | <code>SV:CH&lt;x&gt;:SElect:RF_FREQUency {ON OFF}</code><br><code>SV:CH&lt;x&gt;:SElect:RF_FREQUency?</code>                                                                                                                                                                                  |
| <b>Arguments</b>  | CH<x> is the channel number of the Frequency vs. Time trace.<br><br>ON enables display of the Frequency vs. Time trace.<br><br>OFF disables display of the Frequency vs. Time trace.                                                                                                          |
| <b>Examples</b>   | <code>SV:CH4:SElect:RF_FREQUency ON</code> turns on display of the Channel 4 Frequency vs. Time trace.<br><br><code>SV:CH1:SElect:RF_FREQUency?</code> might return<br><code>SV:CH1:SElect:RF_FREQUency OFF</code> , indicating that the Channel 1 Frequency vs. Time trace is not displayed. |

## **SV:CH<x>:SElect:RF\_MAGNitude**

This command sets or queries whether the Magnitude vs. Time trace for the specified channel is displayed in the Waveform View.

|                   |                                                                                                              |
|-------------------|--------------------------------------------------------------------------------------------------------------|
| <b>Conditions</b> | Requires option SV-RFVT                                                                                      |
| <b>Group</b>      | Spectrum View                                                                                                |
| <b>Syntax</b>     | <code>SV:CH&lt;x&gt;:SElect:RF_MAGNitude {ON OFF}</code><br><code>SV:CH&lt;x&gt;:SElect:RF_MAGNitude?</code> |

|                  |                                                                                                                                                                                                                                                             |
|------------------|-------------------------------------------------------------------------------------------------------------------------------------------------------------------------------------------------------------------------------------------------------------|
| <b>Arguments</b> | CH<x> is the channel number of the Magnitude vs. Time trace.<br>ON enables display of the Magnitude vs. Time trace.<br>OFF disables display of the Magnitude vs. Time trace.                                                                                |
| <b>Examples</b>  | SV:CH4:SELEct:RF_MAGnitude ON turns on (enables) display of the Channel 4 Magnitude vs. Time trace.<br>SV:CH1:SELEct:RF_MAGnitude? might return<br>SV:CH1:SELEct:RF_MAGnitude OFF, indicating that the Channel 1 Magnitude vs. Time trace is not displayed. |

## SV:CH<x>:SELEct:RF\_MAXHold

This command sets or queries whether the Max Hold trace is displayed for the specified spectrum trace channel in the Spectrum View.

|                  |                                                                                                                                                                                                                                                                                                                                                                                                                             |
|------------------|-----------------------------------------------------------------------------------------------------------------------------------------------------------------------------------------------------------------------------------------------------------------------------------------------------------------------------------------------------------------------------------------------------------------------------|
| <b>Group</b>     | Spectrum View                                                                                                                                                                                                                                                                                                                                                                                                               |
| <b>Syntax</b>    | SV:CH<x>:SELEct:RF_MAXHo1d {ON 1 OFF 0}<br>SV:CH<x>:SELEct:RF_MAXHo1d?                                                                                                                                                                                                                                                                                                                                                      |
| <b>Arguments</b> | CH<x> specifies the spectrum trace channel source.<br>ON enables the display of the Max Hold trace for the specified spectrum trace channel.<br>OFF disables the display of the Max Hold trace for the specified spectrum trace channel.<br>1 enables the display of the Max Hold trace for the specified spectrum trace channel.<br>0 disables the display of the Max Hold trace for the specified spectrum trace channel. |
| <b>Examples</b>  | SV:CH3:SELEct:RF_MAXHo1d ON turns on the display of the Max Hold trace for the channel 3 spectrum trace.<br>SV:CH5:SELEct:RF_MAXHo1d? might return 1, indicating that the Max Hold trace for the channel 5 spectrum trace is displayed.                                                                                                                                                                                     |

**SV:CH<x>:SElect:RF\_MINHold**

This command sets or queries whether the Min Hold trace is displayed for the specified spectrum trace channel in the Spectrum View.

|                  |                                                                                                                                                                                                                                                                                                                                                                                                                                                          |
|------------------|----------------------------------------------------------------------------------------------------------------------------------------------------------------------------------------------------------------------------------------------------------------------------------------------------------------------------------------------------------------------------------------------------------------------------------------------------------|
| <b>Group</b>     | Spectrum View                                                                                                                                                                                                                                                                                                                                                                                                                                            |
| <b>Syntax</b>    | SV:CH<x>:SElect:RF_MINHold {ON 1 OFF 0}<br>SV:CH<x>:SElect:RF_MINHold?                                                                                                                                                                                                                                                                                                                                                                                   |
| <b>Arguments</b> | <p>CH&lt;x&gt; specifies the spectrum trace channel source.</p> <p>ON enables the display of the Min Hold trace for the specified spectrum trace channel.</p> <p>OFF disables the display of the Min Hold trace for the specified spectrum trace channel.</p> <p>1 enables the display of the Min Hold trace for the specified spectrum trace channel.</p> <p>0 disables the display of the Min Hold trace for the specified spectrum trace channel.</p> |
| <b>Examples</b>  | <p>SV:CH2:SElect:RF_MINHold ON turns on the display of the Min Hold trace for the channel 2 spectrum trace.</p> <p>SV:CH1:SElect:RF_MINHold? might return 0, indicating that the Min Hold trace for the channel 1 spectrum trace is turned off.</p>                                                                                                                                                                                                      |

**SV:CH<x>:SElect:RF\_NORMAL**

This command sets or queries whether the Normal trace is displayed for the specified spectrum trace channel in the Spectrum View.

|                  |                                                                                                                                                             |
|------------------|-------------------------------------------------------------------------------------------------------------------------------------------------------------|
| <b>Group</b>     | Spectrum View                                                                                                                                               |
| <b>Syntax</b>    | SV:CH<x>:SElect:RF_NORMAl {ON 1 OFF 0}<br>SV:CH<x>:SElect:RF_NORMAl?                                                                                        |
| <b>Arguments</b> | <p>CH&lt;x&gt; specifies the spectrum trace channel source.</p> <p>ON enables the display of the Normal trace for the specified spectrum trace channel.</p> |

OFF disables the display of the Normal trace for the specified spectrum trace channel.

1 enables the display of the Normal trace for the specified spectrum trace channel.

0 disables the display of the Normal trace for the specified spectrum trace channel.

**Examples** `SV:CH3:SElect:RF_NORMa1 ON` turns on the display of the Average trace for the channel 3 spectrum trace.

`SV:CH1:SElect:RF_NORMa1?` might return 0, indicating that the Average trace for the channel 1 spectrum trace is turned off.

## SV:CH<x>:SElect:RF\_PHASE

This command sets or queries whether the Phase vs. Time trace for the specified channel is displayed in the Waveform View.

**Conditions** Requires option SV-RFVT

**Group** Spectrum View

**Syntax** `SV:CH<x>:SElect:RF_PHASE {ON|OFF}`  
`SV:CH<x>:SElect:RF_PHASE?`

**Arguments** CH<x> is the channel number of the Phase vs. Time trace.

ON enables display of the Phase vs. Time trace.

OFF disables display of the Phase vs. Time trace.

**Examples** `SV:CH4:SElect:RF_PHASE ON` turns on (enables) display of the Channel 4 Phase vs. Time trace.

`SV:CH1:SElect:RF_PHASE?` might return `SV:CH1:SElect:RF_PHASE OFF`, indicating that the Channel 1 Phase vs. Time trace is not displayed.

## SV:CH<x>:SElect:SPECTrogram

This command sets or queries whether the spectrogram plot for the specified channel is displayed in the Spectrum View. The channel number is specified by x.

**Conditions** Requires option SV-RFVT

|                  |                                                                                                                                      |
|------------------|--------------------------------------------------------------------------------------------------------------------------------------|
| <b>Group</b>     | Spectrum View                                                                                                                        |
| <b>Syntax</b>    | SV:CH<x>:SELEct:SPECTrogram {ON OFF}<br>SV:CH<x>:SELEct:SPECTrogram?                                                                 |
| <b>Arguments</b> | ON turns on spectrogram<br>OFF turns of spectrogram.                                                                                 |
| <b>Examples</b>  | SV:CH4:SELEct:SPECTrogram ON turns on spectrogram.<br>SV:CH4:SELEct:SPECTrogram? might return ON, indicating that spectrogram is on. |

## SV:CH<x>:SELTrace

This command sets or queries the spectrum trace type to show for the specified channel in the Spectrum View. Each channel's spectrum trace can display up to four traces; a Normal trace (default), a Max Hold trace, a Min Hold trace and an Average trace.

|                  |                                                                                                                                                                                                                                                                                                                                                                                                                                                                                                                                                                                                                                                                                                                                                                                                                      |
|------------------|----------------------------------------------------------------------------------------------------------------------------------------------------------------------------------------------------------------------------------------------------------------------------------------------------------------------------------------------------------------------------------------------------------------------------------------------------------------------------------------------------------------------------------------------------------------------------------------------------------------------------------------------------------------------------------------------------------------------------------------------------------------------------------------------------------------------|
| <b>Group</b>     | Spectrum View                                                                                                                                                                                                                                                                                                                                                                                                                                                                                                                                                                                                                                                                                                                                                                                                        |
| <b>Syntax</b>    | SV:CH<x>:SELTrace {NORMa1 MAXHO1d MINHO1d AVERage}<br>SV:CH<x>:SELTrace?                                                                                                                                                                                                                                                                                                                                                                                                                                                                                                                                                                                                                                                                                                                                             |
| <b>Arguments</b> | CH<x> specifies the analog channel to use as the Spectrum View source.<br><br>NORMa1 selects the Normal trace for the specified spectrum trace channel. If the specified spectrum trace channel does not have a Normal trace, this command is ignored.<br><br>MAXHO1d selects the Max Hold trace for the specified spectrum trace channel. If the specified spectrum trace channel does not have a Max Hold trace, this command is ignored.<br><br>MINHO1d selects the Min Hold trace for the specified spectrum trace channel. If the specified spectrum trace channel does not have a Min Hold trace, this command is ignored.<br><br>AVERage selects the Average trace for the specified spectrum trace channel. If the specified spectrum trace channel does not have an Average trace, this command is ignored. |

**Examples**    `SV:CH1:SELTrace MAXhold` selects the Max Hold trace of the channel 1 spectrum trace in the Spectrum View.

`SV:CH1:SELTrace?` might return `AVE`, indicating that the Average trace of the channel 1 spectrum trace is currently selected in the Spectrum View.

## SV:CH<x>:SQUELCH:STATE

This command sets or queries whether Squelch is enabled for the RF vs Time traces for the specified channel. The frequency vs. time and phase vs. time traces aren't meaningful when the transmitting signal is turned off, as they just show broadband noise that clutters up the display. With squelch, a threshold may be defined for the magnitude vs. time trace to indicate when the transmitter is on/off. Then the frequency and phase vs. time traces are shown only when the magnitude vs. time trace is above the threshold and they are blanked out when it's below the threshold.

**Conditions**    Requires option SV-RFVT

**Group**        Spectrum View

**Syntax**        `SV:CH<x>:SQUELCH:STATE {ON|OFF}`  
`SV:CH<x>:SQUELCH:STATE?`

**Related Commands**    [SV:CH<x>:SQUELCH:THRshold](#)

**Arguments**    `CH<x>` is the channel number of the Frequency or Phase vs. Time trace.  
`ON` enables (turns on) Squelch calculations.  
`OFF` disables (turns off) Squelch calculations.

**Examples**    `SV:CH6:SQUELCH:STATE ON` turns on Squelch calculations for the RF vs. Time traces of Channel 6.

`SV:CH1:SQUELCH:STATE?` might return `SV:CH1:SQUELCH:STATE OFF`, indicating that Squelch calculations are turned off for the RF vs. Time traces of Channel 1

## SV:CH<x>:SQUELCH:THRshold

This command sets or queries the Squelch threshold value for the RF vs Time traces for the specified channel.

|                         |                                                                                                                                                                                                                                                                                             |
|-------------------------|---------------------------------------------------------------------------------------------------------------------------------------------------------------------------------------------------------------------------------------------------------------------------------------------|
| <b>Conditions</b>       | Requires option SV-RFVT                                                                                                                                                                                                                                                                     |
| <b>Group</b>            | Spectrum View                                                                                                                                                                                                                                                                               |
| <b>Syntax</b>           | SV:CH<x>:SQUELCH:THResho1d <NR3><br>SV:CH<x>:SQUELCH:THResho1d?                                                                                                                                                                                                                             |
| <b>Related Commands</b> | <a href="#">SV:CH&lt;x&gt;:SQUELCH:STATE</a>                                                                                                                                                                                                                                                |
| <b>Arguments</b>        | CH<x> is the channel number of the Magnitude vs. Time trace.<br><br><NR3> sets the threshold value, in volts, applied to the Magnitude vs. Time trace that determines whether or not to show the Frequency and Phase vs. Time traces for the same channel.                                  |
| <b>Examples</b>         | SV:CH5:SQUELCH:THResho1d 0.5 sets the Squelch Threshold value to 0.5 volts for the RF vs Time traces of Channel 5.<br><br>SV:CH1:SQUELCH:THResho1d? might return SV:CH1:SQUELCH:THResho1d 1.25, indicating a Squelch Threshold value of 1.25 Volts for the RF vs. Time traces of Channel 1. |

## SV:CH<x>:UNIts

This command sets or queries the absolute logarithmic amplitude vertical scale units to show in the specified spectrum trace channel of the Spectrum View.

|                  |                                                                                                                                                                                                                                                                                                             |
|------------------|-------------------------------------------------------------------------------------------------------------------------------------------------------------------------------------------------------------------------------------------------------------------------------------------------------------|
| <b>Group</b>     | Spectrum View                                                                                                                                                                                                                                                                                               |
| <b>Syntax</b>    | SV:CH<x>:UNIts {DBM DBUW DBMV DBUV DBMA DBUA}<br>SV:CH<x>:UNIts?                                                                                                                                                                                                                                            |
| <b>Arguments</b> | CH<x> specifies the analog channel to use as the Spectrum View source.<br><br>DBM specifies Decibel milliwatts (dBm).<br>DBUW specifies Decibel microwatts (dBμW).<br>DBMV specifies Decibel millivolts (dBmV).<br>DBUV specifies Decibel microvolts (dBμV).<br>DBMA specifies Decibel milliamperes (dBmA). |

DBUA specifies Decibel microamperes (dB $\mu$ A).

**Examples** `SV:CH5:UNITs DBUV` sets the units to be used for the channel 5 spectrum trace to decibel microvolts.

`SV:CH1:UNITs?` might return `DBM`, indicating that the vertical units for the channel 1 spectrum trace are decibel milliwatts.

## SV:LOCKCenter

This command sets or queries whether the Center Frequency setting is locked across all channels in the Spectrum View.

**Group** Spectrum View

**Syntax** `SV:LOCKCenter {ON|1|OFF|0}`  
`SV:LOCKCenter?`

**Related Commands** [CH<x>:SV:CENTERFrequency](#)

**Arguments** `ON` sets all spectrum traces channels in the Spectrum View window to use the same center frequency value. When the center frequency of any channel is changed, the center frequency of all other channels is automatically changed to match that value.

`1` sets all spectrum traces channels in the Spectrum View window to use the same center frequency value. When the center frequency of any channel is changed, the center frequency of all other channels is automatically changed to match that value.

`0` enables use of different center frequency values for each spectrum trace channel. The center frequencies of all channels are independent.

`OFF` enables use of different center frequency values for each spectrum trace channel. The center frequencies of all channels are independent.

**Examples** `SV:LOCKCenter ON` locks all spectrum trace channels to the same center frequency.

`SV:LOCKCenter?` might return `0`, which indicates that each spectrum trace channel may have an independent center frequency setting.



## SV:LOCKSppectrum

This command sets or queries whether the Spectrum Time value is locked across all spectrum trace channels in the Spectrum View.

**Group** Spectrum View

**Syntax** SV:LOCKSppectrum {ON|1|OFF|0}  
SV:LOCKSppectrum?

**Related Commands** [CH<x>:SV:POSition](#)

**Arguments** ON sets all spectrum traces channels in the Spectrum View window to use the same Spectrum Time value. When the Spectrum Time of any channel is changed, the Spectrum Time of all other channels is automatically changed to match that value.

1 sets all spectrum traces channels in the Spectrum View window to use the same Spectrum Time value. When the Spectrum Time of any channel is changed, the Spectrum Time of all other channels is automatically changed to match that value.

0 enables use of different Spectrum Time values for each spectrum trace channel. The Spectrum Time of all channels are independent.

OFF enables use of different Spectrum Time values for each spectrum trace channel. The Spectrum Time of all channels are independent.

**Examples** SV:LOCKSppectrum ON sets all spectrum trace channels to use the same spectrum time.

SV:LOCKSppectrum? might return 0, which indicates each channel may have an independent Spectrum Time setting.

## SV:MARKER:PEAK:EXCURsion

This command sets or queries the minimum peak excursion value, in dB, for the Spectrum View trace peak markers.

Peak excursion refers to the minimum amount a spectrum signal needs to fall in amplitude between marked peaks to be considered another valid peak. If the peak excursion value is low, more peaks will tend to qualify as valid peaks and have associated markers. If the peak excursion value is high, fewer peaks will have associated markers.

**Group** Spectrum View

**Syntax**     `SV:MARKER:PEAK:EXCURsion <NR3>`  
`SV:MARKER:PEAK:EXCURsion?`

**Arguments**     `<NR3>` specifies the peak marker excursion value in dB. The range of values is 0.0 dB to 200.0 dB.

**Examples**     `SV:MARKER:PEAK:EXCURsion 12` sets the peak excursion value to 12 dB.  
`SV:MARKER:PEAK:EXCURsion?` might return `30.00`, indicating that a peak must exceed 30 dB change from other marked peaks to be marked with a peak indicator icon.

## SV:MARKER:PEAK:MAXimum

This command sets or queries the maximum number of Spectrum View peak markers that can be placed on spectrum traces.

the Spectrum View window can show between 1 and 11 peak markers on all spectrum traces. The default is 5. To turn on the peak markers, use the command `SV:MARKER:PEAK:STATE`. The actual number of peak markers may be less than the maximum, depending on the threshold and excursion values and the spectral content of the RF signal. If more peaks than the maximum are detected that meet the threshold and excursion criteria, only the highest amplitude peaks will have markers placed on them.

**Group**     Spectrum View

**Syntax**     `SV:MARKER:PEAK:MAXimum <NR1>`  
`SV:MARKER:PEAK:MAXimum?`

**Related Commands**     [SV:MARKER:PEAK:STATE](#)

**Arguments**     `<NR1>` is an integer value that specifies the maximum number of peak markers to display on spectrum traces. The range of values is 1 to 11.

**Examples**     `SV:MARKER:PEAK:MAXimum 3` sets the maximum number of peaks that can have markers to three.

`SV:MARKER:PEAK:MAXimum?` might return `7`, indicating that the maximum number of peaks that can have markers is set to seven.

## SV:MARKER:PEAK:STATE

This command sets or queries showing peak markers on spectrum traces in the Spectrum View window.

There are up to 11 markers. The maximum number of markers can be set using the command SV:MARKER:PEAK:MAXimum. The peak markers find amplitude peaks based upon threshold and excursion settings (set with the SV:MARKER:PEAK:EXCURsion and SV:MARKER:PEAK:THReshold commands.) Each peak marker has a readout associated with it. These can be absolute or delta readouts (set with the SV:MARKER:TYPE command.)

**Group** Spectrum View

**Syntax** SV:MARKER:PEAK:STATE {ON|1|OFF|0}  
SV:MARKER:PEAK:STATE?

**Related Commands** [SV:MARKER:PEAK:MAXimum](#)  
[SV:MARKER:PEAK:EXCURsion](#)  
[SV:MARKER:PEAK:THReshold](#)  
[SV:MARKER:TYPE](#)

**Arguments** 1 enables showing peak marker icons on spectrum trace waveforms.  
ON enables showing peak marker icons on spectrum trace waveforms.  
0 disables showing peak marker icons on spectrum trace waveforms.  
OFF disables showing peak marker icons on spectrum trace waveforms.

**Examples** SV:MARKER:PEAK:STATE 1 turns the peak markers on.  
SV:MARKER:PEAK:STATE? might return 0, indicating that peak markers are turned off.

## SV:MARKER:PEAK:THReshold

This command sets or queries the minimum peak threshold value required to mark a peak. Only peaks with an amplitude greater than the threshold value will qualify for peak marker placement. Applies to all spectrum traces, and to each trace in its own vertical units.

**Group** Spectrum View

**Syntax** `SV:MARKER:PEAK:THResho1d <NR3>`  
`SV:MARKER:PEAK:THResho1d?`

**Related Commands** [SV:CH<x>:UNIIts](#)

**Arguments** <NR3> specifies the peak marker threshold value. The range of values is -200.0 to 200.0.

**Examples** `SV:MARKER:PEAK:THResho1d -40` sets the peak marker threshold to -40 dBm.  
`SV:MARKER:PEAK:THResho1d?` might return `-50.00`, indicating that only peaks with an amplitude greater than -50 dBm qualify for peak marker placement.

## SV:MARKER:PEAKS:AMPLITUDE? (Query Only)

This command queries the peak amplitudes for the Spectrum View trace peak markers.

**Group** Spectrum View

**Syntax** `SV:MARKER:PEAKS:AMPLITUDE?`

**Returns** Returns the peak amplitudes in a comma separated list.

**Examples** `SV:MARKER:PEAKS:AMPLITUDE?` might return  
`"-59.9311294555664, -67.5772018432617, -66.0407104492188, -69.4306945800781"`  
indicating that a peak amplitudes are -59.9311294555664, -67.5772018432617, -66.0407104492188, -69.4306945800781, and -62.5529403686523.

## SV:MARKER:PEAKS:FREQUency? (Query Only)

This command queries the peak frequencies for the Spectrum View trace peak markers.

**Group** Spectrum View

**Syntax** `SV:MARKER:PEAKS:FREQUency?`

**Returns** Returns the peak frequencies in a comma separated list.

**Examples** `SV:MARKER:PEAKS:FREQUENCY?` might return  
"781.2605289757411E+6,906.0288915094338E+6,946.8286725067385E+6,1.02  
indicating that a peak frequencies are 781.2605289757411E+6,  
906.0288915094338E+6, 946.8286725067385E+6, and  
1.026059214960E+9,1.1718855289757E+9.

## SV:MARKER:REFERENCE (No Query Form)

This command sets the Center Frequency of the currently selected Spectrum View channel to the frequency indicated by the Reference Marker, in effect moving the Reference Marker to the center of the screen.

**Group** Spectrum View

**Syntax** `SV:MARKER:REFERENCE`

**Related Commands** [SV:CH<x>:UNITS](#)

**Examples** `SV:MARKER:REFERENCE` moves the Reference Marker location to the center of the screen.

## SV:MARKER:REFERENCE:AMPLITUDE? (Query Only)

This command queries the amplitude (vertical) value of the Reference Marker in user-set units. This value indicates the absolute amplitude of the Reference Marker, regardless of whether the other markers are manual or automatic.

**Group** Spectrum View

**Syntax** `SV:MARKER:REFERENCE:AMPLITUDE?`

**Related Commands** [SV:CH<x>:UNITS](#)

**Returns** <NR3> specifies the amplitude of the Reference Marker.

**Examples** `SV:MARKER:REFERENCE:AMPLITUDE?` might return `-65.6218`, indicating an amplitude value of `-65.6218` dBm.

## **SV:MARKER:REFERENCE:FREQUENCY? (Query Only)**

This command queries the frequency of the Reference Marker, in Hz, when the Spectrum View trace markers are on.

**Group** Spectrum View

**Syntax** `SV:MARKER:REFERENCE:FREQUENCY?`

**Returns** `<NR3>` specifies the frequency of the Reference Marker.

**Examples** `SV:MARKER:REFERENCE:FREQUENCY?` might return `1.6830E+9`, indicating that the Reference Marker frequency is 1.683 GHz.

## **SV:MARKER:TYPE**

This command sets or queries the peak marker type (either `DELTA` or `ABSOLUTE`).

An Absolute marker shows the frequency and amplitude at the location of the marker. A Delta marker shows the frequency and amplitude of the marker relative to the Reference Marker. The Reference Marker shows the absolute frequency and amplitude, regardless of this command. The marker amplitude measurements are in dBm for Absolute, or in dBc (dB below carrier amplitude) for Delta.

**Group** Spectrum View

**Syntax** `SV:MARKER:TYPE {DELTA|ABSOLUTE}`  
`SV:MARKER:TYPE?`

**Arguments** `DELTA` specifies to display the frequency and amplitude of the peak markers relative to the Reference Marker. The relative amplitude is in dBc (dB below carrier amplitude); the relative frequency is in Hz.

`ABSOLUTE` specifies to display the actual frequency and amplitude of each peak marker. The absolute amplitude is in user-set units; the absolute frequency is in Hz.

**Examples** `SV:MARKER:TYPE DELta` changes the marker type to Delta.

`SV:MARKER:TYPE?` might return `ABSOLUTE`, indicating that the peak markers are measuring the absolute values of the spectrum trace at those positions.

## SV:RBW

This command sets or queries the resolution bandwidth (RBW) when the RBW mode has been set to `MANUAL` (using the command `SV:RBWMode`).

The resolution bandwidth is the width of the narrowest measurable band of frequencies in a Spectrum View trace. By default, the RBW tracks the span value in a 1000:1 ratio. The RBW determines the level to which the instrument can resolve individual frequencies in the frequency domain. For example, if the input signal contains two carriers separated by 1 kHz, you will not be able to discriminate between them unless the RBW is less than 1 kHz.

**Group** Spectrum View

**Syntax** `SV:RBW <NR3>`  
`SV:RBW?`

**Related Commands** [SV:RBWMode](#)

**Arguments** `<NR3>` specifies the width of the narrowest measurable band of frequencies in a Spectrum View trace, in Hz.

**Examples** `SV:RBW 2.0E+04` sets the RBW to 20 kHz.

`SV:RBW?` might return `3.0E+6`, indicating that the RBW has been set to 3 MHz.

## SV:RBWMode

This command sets or queries the resolution bandwidth (RBW) mode, either Automatic or Manual.

**Group** Spectrum View

**Syntax** `SV:RBWMode {AUTOMATIC|MANUAL}`  
`SV:RBWMode?`

**Related Commands**    [SV:RBW](#)  
[SV:SPANRBWRatio](#)

**Arguments**    **AUTOMATIC** specifies the resolution bandwidth automatically as the span is changed. The default behavior is 1000:1, but you can set it to other values in a 1-2-5 sequence (e.g. 10000, 20000, 50000). To specify the RBW ratio that will be used when the mode is set to automatic, use the command **SV:SPANRBWRatio**.

**MANUAL** specifies to set the resolution bandwidth, independently from the span, using the command **SV:RBW**.

**Examples**    **SV:RBWMode MANUAL** sets the RBW mode to Manual.  
**SV:RBWMode?** might return **AUTO**, indicating that the RBW mode is set to Automatic mode (default).

## **SV:RF\_PHASE:REFERENCE:MASTER**

This command sets or queries the channel used as the Master Phase Reference.

**Conditions**    Requires option **SV-RFVT**

**Group**    Spectrum View

**Syntax**    **SV:RF\_PHASE:REFERENCE:MASTER {CH<x> | NONE}**  
**SV:RF\_PHASE:REFERENCE:MASTER?**

**Arguments**    **CH<x>** sets the specified channel as the Master Phase Reference source.  
**NONE** indicates that there is no Master Phase Reference.

**Examples**    **SV:RF\_PHASE:REFERENCE:MASTER CH3** sets the Master Phase Reference source to Channel 3.  
**SV:RF\_PHASE:REFERENCE:MASTER?** might return  
**SV:RF\_PHASE:REFERENCE:MASTER NONE**, indicating that there is no Master Phase Reference.

## **SV:SPAN**

This command sets or queries the span setting for all channels in the Spectrum View. The span is the range of frequencies that can be observed centered on the



center frequency. This is the width of the frequency domain trace, which is from the center frequency  $- \frac{1}{2}\text{span}$  to the center frequency  $+ \frac{1}{2}\text{span}$ .

|                  |                                                                                                            |
|------------------|------------------------------------------------------------------------------------------------------------|
| <b>Group</b>     | Spectrum View                                                                                              |
| <b>Syntax</b>    | SV:SPAN <NR3><br>SV:SPAN?                                                                                  |
| <b>Arguments</b> | <NR3> specifies the span value in Hz.                                                                      |
| <b>Examples</b>  | SV:SPAN 2E+9 sets the span to 2 GHz.<br>SV:SPAN? might return 10.0E+6, indicating that the span is 10 MHz. |

## SV:SPANRBWRatio

This command sets or queries the ratio of the span to the resolution bandwidth (RBW) that will be used when the RBW Mode is set to AUTO.

The span is the width of the frequency domain trace in Hz, which is equal to the stop frequency minus the start frequency. The RBW is the width of the narrowest measurable band of frequencies in a frequency domain trace. The default RBW ratio is 1000 : 1.

Use the command SV:RBWMode to set the RBW Mode to Automatic.

|                         |                                                                                                                                                                                    |
|-------------------------|------------------------------------------------------------------------------------------------------------------------------------------------------------------------------------|
| <b>Group</b>            | Spectrum View                                                                                                                                                                      |
| <b>Syntax</b>           | SV:SPANRBWRatio <NR3><br>SV:SPANRBWRatio?                                                                                                                                          |
| <b>Related Commands</b> | <a href="#">SV:RBWMode</a>                                                                                                                                                         |
| <b>Arguments</b>        | <NR3> specifies the span-to-RBW ratio.                                                                                                                                             |
| <b>Examples</b>         | SV:SPANRBWRatio 1000 sets the RBW to one one-thousandth of the span.<br>SV:SPANRBWRatio? might return 1.00E+3, which means the RBW has been set to one one-thousandth of the span. |

## SV:SPECTrogram:CSCale:MAX

This command sets or queries the maximum color scale value. Maximum must be > Minimum. Thus, if the user is adjusting Maximum down to the point where it would be the same as Minimum, then Minimum begins decrementing as needed to stay 1 dB below Maximum.

**Conditions** Requires option SV-RFVT

**Group** Spectrum View

**Syntax** SV:SPECTrogram:CSCale:MAX <NR3>  
SV:SPECTrogram:CSCale:MAX?

**Arguments** <NR3> sets the maximum color scale value. The default value is 0.0 and the valid range is -169.0 to 100.0

**Examples** SV:SPECTrogram:CSCale:MAX 0 sets the color scale max value to 0.  
SV:SPECTrogram:CSCale:MAX? might return  
SV:SPECTrogram:CSCale:MAX 0, indicating that the color scale max value is 0.

## SV:SPECTrogram:CSCale:MIN

This command sets or queries the minimum color scale value. Minimum must be < Maximum. Thus, if the user is adjusting Minimum up to the point where it would be the same as Minimum, then Maximum begins incrementing as needed to stay 1 dB above minimum.

**Conditions** Requires option SV-RFVT

**Group** Spectrum View

**Syntax** SV:SPECTrogram:CSCale:MIN <NR3>  
SV:SPECTrogram:CSCale:MIN?

**Related Commands** [SV:CH<x>:SElect:SPECTrogram](#)

|                  |                                                                                                                                                                                                                             |
|------------------|-----------------------------------------------------------------------------------------------------------------------------------------------------------------------------------------------------------------------------|
| <b>Arguments</b> | <NR3> sets the minimum color scale value. The default value is -100.0 and the valid range is -170.0 to 99.0                                                                                                                 |
| <b>Examples</b>  | <p>SV:SPECTrogram:CScale:MAX -100.0 sets the color scale min value to -100.0.</p> <p>SV:SPECTrogram:CScale:MAX? might return<br/>SV:SPECTrogram:CScale:MAX -100.0, indicating that the color scale min value is -100.0.</p> |

## SV:SPECTrogram:CURSor:A

This command sets or Queries whether the spectrum trace at cursor A position is selected or not.

|                   |                                                                             |
|-------------------|-----------------------------------------------------------------------------|
| <b>Conditions</b> | Requires option SV-RFVT                                                     |
| <b>Group</b>      | Spectrum View                                                               |
| <b>Syntax</b>     | <p>SV:SPECTrogram:CURSor:A {1 0 ON OFF}</p> <p>SV:SPECTrogram:CURSor:A?</p> |

**Related Commands** [SV:CH<x>:SElect:SPECTrogram](#)

|                  |                                                                                                                                                                                                                                                                                              |
|------------------|----------------------------------------------------------------------------------------------------------------------------------------------------------------------------------------------------------------------------------------------------------------------------------------------|
| <b>Arguments</b> | <p>1 turns on the spectrum trace for cursor A position.</p> <p>0 turns off the spectrum trace for cursor A position. Off is the default.</p> <p>ON turns on the spectrum trace for cursor A position.</p> <p>OFF turns off the spectrum trace for cursor A position. Off is the default.</p> |
| <b>Examples</b>  | <p>SV:SPECTrogram:CURSor:A ON turns on the spectrum trace for cursor A position.</p> <p>SV:SPECTrogram:CURSor:A? might return SV:SPECTrogram:CURSor:A OFF, indicating that the spectrum trace for cursor A position is turned off.</p>                                                       |

## SV:SPECTrogram:CURSor:B

This command sets or queries whether the spectrum trace at cursor B position is selected or not.

|                         |                                                                                                                                                                                                                                                                    |
|-------------------------|--------------------------------------------------------------------------------------------------------------------------------------------------------------------------------------------------------------------------------------------------------------------|
| <b>Conditions</b>       | Requires option SV-RFVT                                                                                                                                                                                                                                            |
| <b>Group</b>            | Spectrum View                                                                                                                                                                                                                                                      |
| <b>Syntax</b>           | SV:SPECTrogram:CURSor:B {1 0 ON OFF}<br>SV:SPECTrogram:CURSor:B?                                                                                                                                                                                                   |
| <b>Related Commands</b> | <a href="#">SV:CH&lt;x&gt;:SElect:SPECTrogram</a>                                                                                                                                                                                                                  |
| <b>Arguments</b>        | 1 on the spectrum trace for cursor B position.<br>0 turns off the spectrum trace for cursor B position. Off is the default.<br>ON turns on the spectrum trace for cursor B position<br>OFF turns off the spectrum trace for cursor B position. Off is the default. |
| <b>Examples</b>         | SV:SPECTrogram:CURSor:B ON turns on the spectrum trace for cursor B position .<br><br>SV:SPECTrogram:CURSor:B? might return SV:SPECTrogram:CURSor:B OFF, indicating that the spectrum trace for cursor B position is turned off.                                   |

## SV:WINDOW

This command sets or queries the window type used by the windowing function of the Spectrum View. The windowing function is a Fast Fourier Transform (FFT) technique used to minimize the discontinuities between successive frames of an RF time domain signal. The default window type is Blackman-Harris.

|                  |                                                                                                                                                                                                                              |
|------------------|------------------------------------------------------------------------------------------------------------------------------------------------------------------------------------------------------------------------------|
| <b>Group</b>     | Spectrum View                                                                                                                                                                                                                |
| <b>Syntax</b>    | SV:WINDOW {KAISerbessel RECTangular HAMMING HANNing BLACKmanharris FLATtop2}<br>SV:WINDOW?                                                                                                                                   |
| <b>Arguments</b> | KAISerbessel specifies the Kaiser-Bessel window type (a high or moderate resolution window).<br><br>RECTangular specifies the Rectangular window type (a window function is equivalent to multiplying all gate data by one). |

**HAMming** specifies the Hamming window type (a high or moderate resolution window based on a cosine series).

**HANNing** specifies the Hanning window type (a high or moderate resolution window based on a cosine series).

**BLACKmanharris** specifies the Blackman-Harris window type (a low-resolution (high dynamic range) window based on a cosine series).

**FLATtop2** specifies the Flattop2 window type (a low-resolution (high dynamic range) window).

**Examples** `SV:WINDOW BLACKmanharris` sets the window to Blackman-Harris.

`SV:WINDOW?` might return `KAISER`, indicating that the window function is set to Kaiser-Bessel.

## TEKSecure (No Query Form)

This command initializes, for the current user, both waveform and setup memories, overwriting any previously stored data.

Equivalent to invoking Teksecure from the Utility menu. This is a time-consuming operation (3 to 5 minutes) and the instrument is inoperable until the TekSecure operation is complete.

**Group** Miscellaneous

**Syntax** `TEKSecure`

**Examples** `TEKSECURE` initializes both waveform and setup memories.

## TIME

This command sets the time in the form `hh:mm:ss` where `hh` refers to a two-digit hour number, `mm` refers to a two-digit minute number from 01 to 60, and `ss` refers to a two-digit second number from 01 to 60.

**Conditions** Time can only be changed in increments of 1 hour maximum.

There is a 24-hour total time change limit. Time changes cannot cross the 00:00:00 boundary.

On Linux, if an internet connection is present, any time changes are automatically overridden by the NTP server. This also resets the 24-hour time change limit.

On Windows, this command only succeeds if the scope application was started with administrator privileges.

**Group** Miscellaneous

**Syntax** TIME <QString>  
TIME?

**Related Commands** [DATE?](#)

**Arguments** <QString> is a quoted string representing the desired time.

**Examples** TIME "13:02:10" sets the time to 1:02 p.m. and 10 seconds.

TIME? might return :TIME "14:05:17", indicating the current time is set to 2:05 p.m. and 17 seconds.

## TIME:ZONE

This command sets the time zone to the one specified.

**Group** Miscellaneous

**Syntax** TIME:ZONE <QString>  
TIME:ZONE?

**Arguments** <QString> is a quoted string representing the desired time zone.

**Examples** TIME:ZONE "America/Yellowknife" sets the time zone to UTC delta -7.

TIME:ZONE? might return :TIME:ZONE "America/Los\_Angeles".

## TIME:ZONE:UTCDELTA

This command sets or queries the time zone using the difference between the desired time zone and UTC.

**Group** Miscellaneous

**Syntax** TIME:ZONE:UTCDELTA <NR3>  
TIME:ZONE:UTCDELTA?

**Arguments** <NR3> is the specified number of hours difference between the desired time zone and UTC which is equivalent to GMT. The deltas supported are: -12.00, -11.00, -10.00, -9.30, -9.00, -8.30, -8.00, -7.00, -6.00, -5.00, -4.00, -3.30, -3.00, -2.00, -1.00, 0.0, 1.00, 2.00, 3.00, 3.30, 4.00, 4.30, 5.00, 5.30, 6.00, 6.30, 7.00, 8.00, 9.00, 9.30, 10.00, 10.30, 11.00, 11.30, 12.00

**Examples** TIME:ZONE:UTCDELTA -7.0e0 sets the time zone to America/Yellowknife.  
TIME:ZONE:UTCDELTA? might return :TIME:ZONE:UTCDELTA -8.0000.

## TOTALuptime? (Query Only)

Total number of hours the instrument has been turned on since the NV memory was last programmed, usually during the initial manufacturing process.

**Group** Miscellaneous

**Syntax** TOTALuptime?

**Returns** The total number of hours the instrument has been turned on since the NV memory was last programmed.

**Examples** TOTALUPTIME? might return :TOTALUPTIME 756 indicating the up time is 756 minutes.

## TOUCHSCREEN:CALibrate (No Query Form)

This command launches the touch screen calibration procedure. This command is equivalent to tapping the Calibrate touch screen control in the Utility->Self Test menu.

**Group** Self Test

**Syntax** TOUCHSCREEN:CALibrate START

**Arguments** START launches the touch screen calibration procedure.

**Examples** TOUCHSCREEN:CALIBRATE START launches the touch screen calibration procedure.

## TOUCHSCReen:STATe

This sets or queries the enabled state of the touch screen only. This command is equivalent to pushing the Touch Off button on the front panel.

To completely disable front panel operation, use the command LOCK ALL. To re-enable the front panel, send the command LOCK NONE.

**Group** Miscellaneous

**Syntax** TOUCHSCReen:STATe {0|1|OFF|ON}  
TOUCHSCReen:STATe?

**Related Commands** [LOCK](#)

**Arguments** 1 enables the touch screen.  
0 disables the touch screen.  
ON enables the touch screen.  
OFF disables the touch screen.

**Examples** TOUCHSCReen:STATe OFF disables the touch screen.  
TOUCHSCReen:STATe? might return :TOUCHSCREEN:STATe 1 indicating the touch screen is enabled.

## \*TRG (No Query Form)

Performs a group execute trigger on commands defined by \*DDT.

**Group** Miscellaneous

**Syntax** \*TRG

**Related Commands** [\\*DDT](#)



**Examples** \*TRG immediately executes all commands that have been defined by \*DDT.

## TRIGger

This command forces a trigger event to occur. The query returns the current trigger parameters for the instrument.

**Group** Trigger

**Syntax** TRIGger FORCE  
TRIGger?

**Arguments** FORCE creates a trigger event. If TRIGger:STATE is set to READy, the acquisition will complete. Otherwise, this command will be ignored. This is equivalent to pressing the Force button on the front panel.

**Examples** TRIGGER FORCE forces a trigger event to occur.  
TRIGGER? returns the current trigger parameters for the instrument.

## TRIGger:{A|B|B:RESET}

This command sets the A, B, or B Reset trigger level automatically to 50% of the range of the minimum and maximum values of the trigger input signal. The query returns current trigger parameters. The trigger level is the voltage threshold through which the trigger source signal must pass to generate a trigger event. This command is equivalent to pushing the LEVEL knob on the front panel.

**Group** Trigger

**Syntax** TRIGger:{A|B|B:RESET} SETLeve1  
TRIGger:{A|B|B:RESET}?

**Arguments** SETLeve1 sets the trigger level to 50% of the range of the minimum and maximum values of the trigger input signal.

**Examples** TRIGger:A SETLEVEL sets the trigger level to 50% of the range of the minimum and maximum values of the trigger input signal.  
TRIGger:A? returns current trigger parameters.

## TRIGger:{A|B}:BUS:B<x>:ARINC429A:CONDition

This command specifies a field or condition for an ARINC429 bus to trigger on. The bus number is specified by x.

**Conditions** Requires option 5-SRAERO or SUP5-SRAERO Triggering and Analysis application.

**Group** Trigger

**Syntax** TRIGger:{A|B}:BUS:B<x>:ARINC429A:CONDition  
 {SOW|LABe1|DATA|LABELANDDATA |EOW|ERRor}  
 TRIGger:{A|B}:BUS:B<x>:ARINC429A:CONDition?

**Arguments** SOW specifies triggering on the first bit of a word.  
 LABe1 specifies triggering on a matching label.  
 DATA specifies triggering on matching packet data field(s).  
 LABELANDDATA specifies triggering on a matching label and matching packet data field(s).  
 EOW specifies triggering on the 32nd bit of a word.  
 ERRor specifies triggering on a specified error condition.

---

**NOTE.** The type of error triggered on is specified by  
 TRIGger:{A|B}:BUS:B<x>:ARINC429A:ERRType.

---

**Examples** TRIGGER:A:BUS:B1:ARINC429A:CONDITION DATA specifies triggering on packets that contain matching data field(s).

TRIGGER:A:BUS:B1:ARINC429A:CONDITION? might return SOW, indicating that the bus is triggering on the first bit of each word in the packt.

## TRIGger:{A|B}:BUS:B<x>:ARINC429A:DATA:HIVALue

This command sets or queries the high value when trigger on an ARINC429 data field. The bus number is specified by x. The trigger condition must be set to DATA or LABELANDDATA, and the data qualifier must be INrange or OUTrange.

**Conditions** Requires option 5-SRAERO or SUP5-SRAERO Triggering and Analysis application.

|                  |                                                                                                           |
|------------------|-----------------------------------------------------------------------------------------------------------|
| <b>Group</b>     | Trigger                                                                                                   |
| <b>Syntax</b>    | TRIGger:{A B}:BUS:B<x>:ARINC429A:DATA:HIVALue <QString><br>TRIGger:{A B}:BUS:B<x>:ARINC429A:DATA:HIVALue? |
| <b>Arguments</b> | <QString> is the label value.                                                                             |

---

**NOTE.** The size of the QString is dependent on the data field format selected using BUS:Bx:ARINC429A:DATAFORMAT. Also, the stored QString is reset to its default value whenever the data field format is changed.

---

|                 |                                                                                                                                                                                                                                                              |
|-----------------|--------------------------------------------------------------------------------------------------------------------------------------------------------------------------------------------------------------------------------------------------------------|
| <b>Examples</b> | TRIGGER:A:BUS:B1:ARINC429A:DATA:HIVALUE<br>"XXXXXXXXXXXXXXXXX1000" sets the value to XXXXXXXXXXXXXXXXXXXX1000.<br><br>TRIGGER:A:BUS:B1:ARINC429A:DATA:HIVALUE? might return<br>"XXXXXXXXXXXXXXXXXXXX", indicating that the value is<br>XXXXXXXXXXXXXXXXXXXX. |
|-----------------|--------------------------------------------------------------------------------------------------------------------------------------------------------------------------------------------------------------------------------------------------------------|

## TRIGger:{A|B}:BUS:B<x>:ARINC429A:DATA:QUALifier

This command sets or queries the qualifier to be used when triggering on data in the DATA field for an ARINC429 bus signal. The bus number is specified by x. The trigger condition must be set to DATA or LABELANDDATA.

---

**NOTE.** The trigger qualifier only applies to the bits defined as the data field via the bus data field format specifier (using BUS:B<x>:ARINC429A:DATAFORMAT)

---

|                   |                                                                              |
|-------------------|------------------------------------------------------------------------------|
| <b>Conditions</b> | Requires option 5-SRAERO or SUP5-SRAERO Triggering and Analysis application. |
|-------------------|------------------------------------------------------------------------------|

|                  |                                                                                                                                                                                    |
|------------------|------------------------------------------------------------------------------------------------------------------------------------------------------------------------------------|
| <b>Group</b>     | Trigger                                                                                                                                                                            |
| <b>Syntax</b>    | TRIGger:{A B}:BUS:B<x>:ARINC429A:DATA:<br>QUALifier {Equal UNEQual LESSthan MOREthan<br> LESSEqual MOREEqual INrange OUTrange}<br>TRIGger:{A B}:BUS:B<x>:ARINC429A:DATA:QUALifier? |
| <b>Arguments</b> | Equal sets the data qualifier to equal.<br><br>UNEQual sets the data qualifier to unequal.                                                                                         |

LESSThan sets the data qualifier to less than.

MOREthan sets the data qualifier to more than.

LESSEQUAL sets the data qualifier to less equal.

MOREEQUAL sets the data qualifier to more equal.

INrange sets the data qualifier to in range.

OUTrange sets the data qualifier to out of range.

**Examples** TRIGGER:A:BUS:B1:ARINC429A:DATA:QUALIFIER LESSTHAN sets the data qualifier to less than.

TRIGGER:A:BUS:B1:ARINC429A:DATA:QUALIFIER? might return EQUAL, indicating that the data qualifier is set to equal.

## TRIGger:{A|B}:BUS:B<x>:ARINC429A:DATA:VALue

This command sets or queries the low value when triggering on an ARINC429 data field. The bus number is specified by x. The trigger condition must be set to DATA or LABELANDDATA.

**Conditions** Requires option 5-SRAERO or SUP5-SRAERO Triggering and Analysis application.

**Group** Trigger

**Syntax** TRIGger:{A|B}:BUS:B<x>:ARINC429A:DATA:VALue <QString>  
TRIGger:{A|B}:BUS:B<x>:ARINC429A:DATA:VALue?

**Arguments** <QString> is the label value.

---

**NOTE.** The size of the QString is dependent on the data field format selected using BUS:B<x>:ARINC429A:DATAFORMAT. Also, the stored QString is reset to its default value whenever the data field format is changed.

---

**Examples** TRIGGER:A:BUS:B1:ARINC429A:DATA:VALUE "XXXXXXXXXXXXXXXXX1000" sets the value to XXXXXXXXXXXXXXXXXXXX1000.

TRIGGER:A:BUS:B1:ARINC429A:DATA:VALUE? might return "XXXXXXXXXXXXXXXXXXXX", indicating that the value is XXXXXXXXXXXXXXXXXXXX.

**TRIGger:{A|B}:BUS:B<x>:ARINC429A:ERRTYPe**

This command sets or queries the error type when triggering on an ARINC429 bus signal. The bus number is specified by x. The trigger condition must be set to ERRor.

**Conditions** Requires option 5-SRAERO or SUP5-SRAERO Triggering and Analysis application.

**Group** Trigger

**Syntax** TRIGger:{A|B}:BUS:B<x>:ARINC429A:ERRTYPe  
{ANY|PARity|WORD|GAP}  
TRIGger:{A|B}:BUS:B<x>:ARINC429A:ERRTYPe?

**Arguments** ANY sets the error type to match any of the other available error types.

PARity sets the error type to match on parity errors (parity value results in even parity count for a word).

WORD sets the error type to match on word errors (any unframed or unknown decode data).

GAP sets the error type to match on gap violations (less than 4 bits idle time between two packets on the bus).

**Examples** TRIGGER:A:BUS:B1:ARINC429A:ERRTYPe PARITY sets the error type to match on parity errors.

TRIGGER:A:BUS:B1:ARINC429A:ERRTYPe? might return ANY, indicating that any error condition will produce a match.

**TRIGger:{A|B}:BUS:B<x>:ARINC429A:LABel:HIVALue**

This command sets or queries the high value when triggering on an ARINC429 label field. The bus number is specified by x. The trigger condition must be set to LABel, and the label qualifier must be INrange or OUTrange.

**Conditions** Requires option 5-SRAERO or SUP5-SRAERO Triggering and Analysis application.

**Group** Trigger

**Syntax** TRIGger:{A|B}:BUS:B<x>:ARINC429A:LABel:HIVALue <QString>  
 TRIGger:{A|B}:BUS:B<x>:ARINC429A:LABel:HIVALue?

**Arguments** <QString> is the label value.

**Examples** TRIGGER:A:BUS:B1:ARINC429A:LABEL:HIVALUE "XXXX1010" sets the value to XXXX1010.

TRIGGER:A:BUS:B1:ARINC429A:LABEL:HIVALUE? might return "XXXXXXXX", indicating that the value is XXXXXXXX.

## TRIGger:{A|B}:BUS:B<x>:ARINC429A:LABel:QUALifier

This command sets or queries the qualifier to be used when triggering on label data for an ARINC429 bus signal. The bus number is specified by x. The trigger condition must be set to LABEL or LABELANDDATA.

---

**NOTE.** *If the trigger condition is set to LABELANDDATA, the label qualifier will be locked to Equal until the trigger condition is changed again.*

---

**Conditions** Requires option 5-SRAERO or SUP5-SRAERO Triggering and Analysis application.

**Group** Trigger

**Syntax** TRIGger:{A|B}:BUS:B<x>:ARINC429A:LABel:  
 QUALifier {Equal|UNEQual|LESSthan|MORethan  
 |LESSEQual|MORREEQual|INrange|OUTrange}  
 TRIGger:{A|B}:BUS:B<x>:ARINC429A:LABel:QUALifier?

**Arguments** Equal sets the data qualifier to equal.  
 UNEQual sets the data qualifier to unequal.  
 LESSthan sets the data qualifier to less than.  
 MORethan sets the data qualifier to more than.  
 LESSEQual sets the data qualifier to less equal.  
 MORREEQual sets the data qualifier to more equal.  
 INrange sets the data qualifier to in range.  
 OUTrange sets the data qualifier to out of range.

- Examples** `TRIGGER:A:BUS:B1:ARINC429A:LABEL:QUALIFIER LESSTHAN` sets the label qualifier to less than.
- `TRIGGER:A:BUS:B1:ARINC429A:LABEL:QUALIFIER?` might return `EQUAL`, indicating that the label qualifier is set to equal.

## TRIGger:{A|B}:BUS:B<x>:ARINC429A:LABel:VALue

This command sets or queries the low value when triggering on an ARINC429 label field. The bus number is specified by x. The trigger condition must be set to LABEL or LABELANDDATA.

- Conditions** Requires option 5-SRAERO or SUP5-SRAERO Triggering and Analysis application.

**Group** Trigger

**Syntax** `TRIGger:{A|B}:BUS:B<x>:ARINC429A:LABel:VALue <QString>`  
`TRIGger:{A|B}:BUS:B<x>:ARINC429A:LABel:VALue?`

**Arguments** `<QString>` is the label value.

- Examples** `TRIGGER:A:BUS:B1:ARINC429A:LABEL:VALUE "XXXX1010"` sets the value to `XXXX1010`.
- `TRIGGER:A:BUS:B1:ARINC429A:LABEL:VALUE?` might return `"XXXXXXXXXX"`, indicating that the value is `XXXXXXXXXX`.

## TRIGger:{A|B}:BUS:B<x>:ARINC429A:SDI:VALue

This command sets or queries the label when triggering on an ARINC429 SDI field. The bus number is specified by x. The trigger condition must be set to DATA or LABELANDDATA, and the data format must be set to DATA.

- Conditions** Requires option 5-SRAERO or SUP5-SRAERO Triggering and Analysis application.

**Group** Trigger

**Syntax** TRIGger:{A|B}:BUS:B<x>:ARINC429A:SDI:VALue <QString>  
 TRIGger:{A|B}:BUS:B<x>:ARINC429A:SDI:VALue?

**Arguments** <QString> is the label value.

**Examples** TRIGGER:A:BUS:B1:ARINC429A:SDI:VALUE "X0" sets the value to X0.  
 TRIGGER:A:BUS:B1:ARINC429A:SDI:VALUE? might return "XX", indicating that the value is XX.

## TRIGger:{A|B}:BUS:B<x>:ARINC429A:SSM:VALue

This command sets or queries the label value when triggering on an ARINC429 SSM field. The bus number is specified by x. The trigger condition must be set to DATA or LABELANDDATA, and the data format must be set to DATA or SDIDATA.

**Conditions** Requires option 5-SRAERO or SUP5-SRAERO Triggering and Analysis application.

**Group** Trigger

**Syntax** TRIGger:{A|B}:BUS:B<x>:ARINC429A:SSM:VALue <QString>  
 TRIGger:{A|B}:BUS:B<x>:ARINC429A:SSM:VALue?

**Arguments** <QString> is the label value.

---

**NOTE.** The SSM field is only present when the selected data field format is DATA or SDIDATA (using *BUS:B<x>:ARINC429A:DATAFormat*). Also, the stored QString is reset to its default value whenever the data field format is changed.

---

**Examples** TRIGGER:A:BUS:B1:ARINC429A:SSM:VALUE "X0" sets the value to X0.  
 TRIGGER:A:BUS:B1:ARINC429A:SSM:VALUE? might return "XX", indicating that the value is XX.

## TRIGger:{A|B}:BUS:B<x>:AUDio:CONDition

This command sets the condition (word select, start of frame, or matching data) to be used when triggering on an audio bus signal. The bus number is specified by x.



|                   |                                                                                                                                                                                                           |
|-------------------|-----------------------------------------------------------------------------------------------------------------------------------------------------------------------------------------------------------|
| <b>Conditions</b> | Requires option 5-SRAUDIO or SUP5-SRAUDIO Triggering and Analysis application.                                                                                                                            |
| <b>Group</b>      | Trigger                                                                                                                                                                                                   |
| <b>Syntax</b>     | TRIGger:{A B}:BUS:B<x>:AUDio:CONDition {SOF DATA}<br>TRIGger:{A B}:BUS:B<x>:AUDio:CONDition?                                                                                                              |
| <b>Arguments</b>  | SOF enables triggering on a word select or start of frame (depending on Audio Type).<br><br>DATA enables triggering on matching data.                                                                     |
| <b>Examples</b>   | TRIGger:A:BUS:B1:AUDio:CONDition SOF sets the condition to start of frame.<br><br>TRIGger:A:BUS:B1:AUDio:CONDition? might return :TRIGGER:A:BUS:B1:AUDIO:CONDITION DATA indicating the condition is data. |

## TRIGger:{A|B}:BUS:B<x>:AUDio:DATA:HITDMVALue

This command sets or queries the binary data string for the high data word to be used when triggering on an TDM audio bus signal. The trigger condition must be set to DATA using TRIGger:{A|B}:BUS:B<x>:AUDio:CONDition.

|                  |                                                                                                                                                                                                                                              |
|------------------|----------------------------------------------------------------------------------------------------------------------------------------------------------------------------------------------------------------------------------------------|
| <b>Group</b>     | Trigger                                                                                                                                                                                                                                      |
| <b>Syntax</b>    | TRIGger:{A B}:BUS:B<x>:AUDio:DATA:HITDMVALue <QString><br>TRIGger:{A B}:BUS:B<x>:AUDio:DATA:HITDMVALue?                                                                                                                                      |
| <b>Arguments</b> | <QString> is the binary data string for the high data word to be used when triggering on an TDM audio bus signal.                                                                                                                            |
| <b>Examples</b>  | TRIGger:A:BUS:B1:AUDio:DATA:HITDMVALue "1100" sets the high value to 1100.<br><br>TRIGger:A:BUS:B1:AUDio:DATA:HITDMVALue? might return :TRIGGER:A:BUS:B1:AUDIO:DATA:HITDMVALUE "XXXXXXXXXXXXXXXXXXXX1010" indicating the high value is 1010. |

## TRIGger:{A|B}:BUS:B<x>:AUDio:DATA:HIVALue

This command sets the upper word value to be used when triggering on an audio bus signal. The trigger condition must be set to DATA using [TRIGger:{A|B}:BUS:B<x>:AUDio:CONDition](#).

The bus number is specified by x.

|                   |                                                                                                                                                                                                                                                                                                            |
|-------------------|------------------------------------------------------------------------------------------------------------------------------------------------------------------------------------------------------------------------------------------------------------------------------------------------------------|
| <b>Conditions</b> | Requires option 5-SRAUDIO or SUP5-SRAUDIO Triggering and Analysis application.                                                                                                                                                                                                                             |
| <b>Group</b>      | Trigger                                                                                                                                                                                                                                                                                                    |
| <b>Syntax</b>     | TRIGger:{A B}:BUS:B<x>:AUDio:DATA:HIVALue <QString><br>TRIGger:{A B}:BUS:B<x>:AUDio:DATA:HIVALue?                                                                                                                                                                                                          |
| <b>Arguments</b>  | <QString> is the upper word value to be used when triggering on an audio bus signal.                                                                                                                                                                                                                       |
| <b>Examples</b>   | TRIGger:A:BUS:B1:AUDio:DATA:HIVALue "11001101" sets the hi value to<br>XXXXXXXXXXXXXXXXXXXX11001101.<br><br>TRIGger:A:BUS:B1:AUDio:DATA:HIVALue? might<br>return :TRIGGER:A:BUS:B1:AUDIO:DATA:HIVALUE<br>"XXXXXXXXXXXXXXXXXXXXXXXXXXXX" indicating the hi value is set to<br>XXXXXXXXXXXXXXXXXXXXXXXXXXXX. |

## TRIGger:{A|B}:BUS:B<x>:AUDio:DATA:OFFSet

This command sets the data offset value to be used when triggering on an audio bus signal. The trigger condition must be set to DATA using [TRIGger:{A|B}:BUS:B<x>:AUDio:CONDition](#).

The bus number is specified by x.

|                   |                                                                                             |
|-------------------|---------------------------------------------------------------------------------------------|
| <b>Conditions</b> | Requires option 5-SRAUDIO or SUP5-SRAUDIO Triggering and Analysis application.              |
| <b>Group</b>      | Trigger                                                                                     |
| <b>Syntax</b>     | TRIGger:{A B}:BUS:B<x>:AUDio:DATA:OFFSet <NR1><br>TRIGger:{A B}:BUS:B<x>:AUDio:DATA:OFFSet? |

**Arguments** <NR1> is the data offset value.

**Examples** TRIGger:A:BUS:B1:AUDIO:DATA:OFFSet 2 sets the data offset to 2.  
 TRIGger:A:BUS:B1:AUDIO:DATA:OFFSet? might return  
 :TRIGGER:A:BUS:B1:AUDIO:DATA:OFFSET 1 indicating the data offset value  
 is 1.

## TRIGger:{A|B}:BUS:B<x>:AUDIO:DATA:QUALifier

This command sets the qualifier to be used when triggering on an audio bus signal. The trigger condition must be set to DATA using [TRIGger:{A|B}:BUS:B<x>:AUDIO:CONDition](#).

The bus number is specified by x.

**Conditions** Requires option 5-SRAUDIO or SUP5-SRAUDIO Triggering and Analysis application.

**Group** Trigger

**Syntax** TRIGger:{A|B}:BUS:B<x>:AUDIO:DATA:QUALifier {LESSthan|MOREthan|EQual|UNEQual|LESSEQual|MOREEQual|INrange|OUTrange}  
 TRIGger:{A|B}:BUS:B<x>:AUDIO:DATA:QUALifier?

**Arguments** LESSthan sets the qualifier to less than.  
 MOREthan sets the qualifier to greater than.  
 EQual sets the qualifier to equal.  
 UNEQual sets the qualifier to not equal.  
 LESSEQual sets the qualifier to less than or equal.  
 MOREEQual sets the qualifier to greater than or equal.  
 INrange sets the qualifier to in range.  
 OUTrange sets the qualifier to out of range.

**Examples** TRIGger:A:BUS:B1:AUDIO:DATA:QUALifier LESSTHAN sets the qualifier to less than.  
 TRIGger:A:BUS:B1:AUDIO:DATA:QUALifier? might return  
 :TRIGGER:A:BUS:B1:AUDIO:DATA:QUALIFIER EQUAL indicating the  
 qualifies is set to equal.

## TRIGger:{A|B}:BUS:B<x>:AUDio:DATA:TDMVALue

This command sets or queries the binary data string for the single or low data word to be used when triggering on an TDM audio bus signal. The trigger condition must be set to DATA using [TRIGger:{A|B}:BUS:B{x}:AUDio:CONDition](#).

|                  |                                                                                                                                                                                                                                           |
|------------------|-------------------------------------------------------------------------------------------------------------------------------------------------------------------------------------------------------------------------------------------|
| <b>Group</b>     | Trigger                                                                                                                                                                                                                                   |
| <b>Syntax</b>    | TRIGger:{A B}:BUS:B<x>:AUDio:DATA:TDMVALue <QString><br>TRIGger:{A B}:BUS:B<x>:AUDio:DATA:TDMVALue?                                                                                                                                       |
| <b>Arguments</b> | <QString> is the binary data string for the single or low data word to be used when triggering on an TDM audio bus signal.                                                                                                                |
| <b>Examples</b>  | TRIGger:A:BUS:B1:AUDio:DATA:TDMVALue "1100" sets the TDMVALUE to 1100.<br><br>TRIGger:A:BUS:B1:AUDio:DATA:TDMVALue? might<br>return :TRIGGER:A:BUS:B1:AUDIO:DATA:TDMVALUE<br>"XXXXXXXXXXXXXXXXXXXX1010" indicating the TDM value is 1010. |

## TRIGger:{A|B}:BUS:B<x>:AUDio:DATA:VALue

This command sets the lower word value to be used when triggering on an audio bus signal. The trigger condition must be set to DATA using [TRIGger:{A|B}:BUS:B<x>:AUDio:CONDition](#).

The bus number is specified by x.

|                   |                                                                                               |
|-------------------|-----------------------------------------------------------------------------------------------|
| <b>Conditions</b> | Requires option 5-SRAUDIO or SUP5-SRAUDIO Triggering and Analysis application.                |
| <b>Group</b>      | Trigger                                                                                       |
| <b>Syntax</b>     | TRIGger:{A B}:BUS:B<x>:AUDio:DATA:VALue <QString><br>TRIGger:{A B}:BUS:B<x>:AUDio:DATA:VALue? |
| <b>Arguments</b>  | <QString> specifies the trigger data lower word.                                              |

**Examples** TRIGger:A:BUS:B1:AUDio:DATA:VALue "11001100101" sets the data value to XXXXXXXXXXXXXXXX11001100101.

TRIGger:A:BUS:B1:AUDio:DATA:VALue? might return :TRIGGER:A:BUS:B1:AUDIO:DATA:VALUE "XXXXXXXXXXXXXXXXXXXXXXXXXX" indicating the data value is XXXXXXXXXXXXXXXXXXXXXXXXXXXX.

## TRIGger:{A|B}:BUS:B<x>:AUDio:DATA:WORD

This command sets the alignment of the data (left, right or either) to be used to trigger on an audio bus signal. The trigger condition must be set to DATA using [TRIGger:{A|B}:BUS:B<x>:AUDio:CONDition](#).

The bus number is specified by x.

**Conditions** Requires option 5-SRAUDIO or SUP5-SRAUDIO Triggering and Analysis application.

**Group** Trigger

**Syntax** TRIGger:{A|B}:BUS:B<x>:AUDio:DATA:WORD {EITHer|LEFt|RIGht}  
TRIGger:{A|B}:BUS:B<x>:AUDio:DATA:WORD?

**Arguments** EITHer aligns the trigger data to either left or right.  
LEFt aligns the trigger data to the left.  
RIGht aligns the trigger data to the right.

**Examples** TRIGger:A:BUS:B1:AUDio:DATA:WORD LEFt sets the word alignment to the left.

TRIGger:A:BUS:B1:AUDio:DATA:WORD? might return :TRIGGER:A:BUS:B1:AUDIO:DATA:WORD EITHer indicating the trigger data is aligned to either left or right.

## TRIGger:{A|B}:BUS:B<x>:AUTOETHERnet:CONDition

This command specifies a field or condition for an Auto Ethernet bus to trigger on when speed is selected as 10 Base-T1S.

**Conditions** Requires option SR-AUTOEN1.

|                  |                                                                                                                                                                                                                                                                                                                                                                                                                                                                                                                                        |
|------------------|----------------------------------------------------------------------------------------------------------------------------------------------------------------------------------------------------------------------------------------------------------------------------------------------------------------------------------------------------------------------------------------------------------------------------------------------------------------------------------------------------------------------------------------|
| <b>Group</b>     | Trigger                                                                                                                                                                                                                                                                                                                                                                                                                                                                                                                                |
| <b>Syntax</b>    | <pre>TRIGger:{A B}:BUS:B&lt;x&gt;:AUTOETHERnet:CONDition {SYNC  SOSD  PREAmbLe  BEACon  ESD  ESDOK  ERRors} TRIGger:{A B}:BUS:B&lt;x&gt;:AUTOETHERnet:CONDition?</pre>                                                                                                                                                                                                                                                                                                                                                                 |
| <b>Arguments</b> | <p>SYNC specifies the condition for trigger to Sync/Commit symbol.</p> <p>SOSD specifies the condition for trigger to Start of Stream Delimiter symbol.</p> <p>PREAmbLe specifies the condition for trigger to Preamble.</p> <p>BEACon specifies the condition for trigger to Beacon symbol.</p> <p>ESD specifies the condition for trigger to End of Stream Delimiter symbol.</p> <p>ESDOK specifies the condition for trigger to End of Stream Delimiter OK symbol.</p> <p>ERRors specifies the condition for trigger to Errors.</p> |
| <b>Examples</b>  | <p>TRIGger:A:BUS:B1:AUTOETHERnet:CONDition SYNC sets the field or condition of Auto Ethernet Trigger condition A for Bus 1 as Sync/Commit.</p> <p>TRIGger:A:BUS:B1:AUTOETHERnet:CONDition? might return :TRIGger:A:BUS:B1:AUTOETHERnet:CONDition BEACon, indicating that the field or condition of Auto Ethernet Trigger condition A for Bus 1 is set to Start of Stream Delimiter.</p>                                                                                                                                                |

## TRIGger:{A|B}:BUS:B<x>:AUTOETHERnet:ERRORTYPE

This command specifies the error type for an Auto Ethernet bus to trigger on when speed is selected as 10 Base-T1S. The bus number is specified by x.

|                   |                                                                                                                                       |
|-------------------|---------------------------------------------------------------------------------------------------------------------------------------|
| <b>Conditions</b> | Requires option SR-AUTOEN1.                                                                                                           |
| <b>Group</b>      | Trigger                                                                                                                               |
| <b>Syntax</b>     | <pre>TRIGger:{A B}:BUS:B&lt;x&gt;:AUTOETHERnet:ERRORTYPE {ESDERR   ESDJAB} TRIGger:{A B}:BUS:B&lt;x&gt;:AUTOETHERnet:ERRORTYPE?</pre> |
| <b>Arguments</b>  | <p>ESDERR specifies the error type for trigger to ESDERR.</p> <p>ESDJAB specifies the error type for trigger to ESDJAB.</p>           |

**Examples** TRIGger:A:BUS:B1:AUTOETHERnet:ERRORTYPE ESDERR sets the error type of Auto Ethernet Trigger condition A for Bus 1 as ESDERR.

TRIGger:A:BUS:B1:AUTOETHERnet:ERRORTYPE? might return :TRIGger:A:BUS:B1:AUTOETHERnet:ERRORTYPE ESDJAB, indicating that the sets the error type of Auto Ethernet Trigger condition A for Bus 1 is set to ESDJAB.

## TRIGger:{A|B}:BUS:B<x>:CAN:CONDition

This command sets the condition (start of frame, frame type, identifier, matching data, EOF, missing ACK field, bit-stuffing error) to be used when triggering on a CAN bus signal. The bus number is specified by x.

**Conditions** Requires option 5-SRAUTO or SUP5-SRAUTO Triggering and Analysis application.

**Group** Trigger

**Syntax** TRIGger:{A|B}:BUS:B<x>:CAN:CONDition  
{SOF|FRAMEtype|IDentifier|DATA|IDANDDATA|EOF|ERROR|FDBITS}  
TRIGger:{A|B}:BUS:B<x>:CAN:CONDition?

**Arguments** SOF enables triggering on the start of frame.

FDBITS enables triggering on the values of the BRS and ESI bits in an FD packet.

FRAMEtype enables triggering on the type of frame.

IDentifier enables triggering on a matching identifier.

DATA enables triggering on matching data.

IDANDDATA enables triggering on a matching identifier and matching data.

EOF enables triggering on the end of frame.

ERROR enables triggering on a specified error condition.

**Examples** TRIGGER:A:BUS:B1:CAN:CONDITION? might return :TRIGGER:A:BUS:B1:CAN:CONDITION EOF indicating an end of file condition.

TRIGGER:A:BUS:B1:CAN:CONDITION DATA enables triggering on matching CAN data.

## TRIGger:{A|B}:BUS:B<x>:CAN:DATA:DIRection

This command sets the data direction (read, write or “nocare”) to be used to search on a CAN bus signal. The trigger condition must be set to IDentifier (using [TRIGger:{A|B}:BUS:B<x>:CAN:CONDition](#)). The bus number is specified by x.

**Conditions** Requires option 5-SRAUTO or SUP5-SRAUTO Triggering and Analysis application.

**Group** Trigger

**Syntax** TRIGger:{A|B}:BUS:B<x>:CAN:DATA:DIRection  
{READ|WRITE|NOCARE}  
TRIGger:{A|B}:BUS:B<x>:CAN:DATA:DIRection?

**Arguments** READ sets the CAN data direction to READ.  
WRITE sets the CAN data direction to WRITE.  
NOCARE sets the CAN data direction to either.

**Examples** TRIGGER:A:BUS:B1:CAN:DATA:DIRECTION WRITE sets the CAN data direction to Write.  
TRIGGER:A:BUS:B1:CAN:DATA:DIRECTION? might return  
:TRIGGER:A:BUS:B1:CAN:DATA:DIRECTION NOCARE indicating the data direction can be either read or write.

## TRIGger:{A|B}:BUS:B<x>:CAN:DATA:OFFSet

This command sets or queries the data offset value, in bytes, to use when triggering on the CAN data field. The bus number is specified by x. The trigger condition must be set to DATA or IDANDDATA.

**Conditions** Requires option 5-SRAERO or SUP5-SRAERO Triggering and Analysis application.

**Group** Trigger

**Syntax** TRIGger:{A|B}:BUS:B<x>:CAN:DATA:OFFSet <NR1>  
TRIGger:{A|B}:BUS:B<x>:CAN:DATA:OFFSet?



|                         |                                                                                                                                                                                                                                                                                                                                                                                                                                                                                                                                                                                                                                                                      |
|-------------------------|----------------------------------------------------------------------------------------------------------------------------------------------------------------------------------------------------------------------------------------------------------------------------------------------------------------------------------------------------------------------------------------------------------------------------------------------------------------------------------------------------------------------------------------------------------------------------------------------------------------------------------------------------------------------|
| <b>Related Commands</b> | <p><a href="#">BUS:B&lt;x&gt;:CAN:STANDARD</a></p> <p><a href="#">TRIGGER:{A B}:BUS:B&lt;x&gt;:CAN:DATA:SIZE</a></p> <p><a href="#">TRIGGER:{A B}:BUS:B&lt;x&gt;:CAN:DATA:VALUE</a></p>                                                                                                                                                                                                                                                                                                                                                                                                                                                                              |
| <b>Arguments</b>        | <p>&lt;NR1&gt; is an integer whose minimum and default values are -1 (don't care), and the maximum is up to 7 (for CAN 2.0) or up to 63 (for ISO CAN FD and Non-ISO CAN FD).</p> <p>The maximum is dependent on the number of bytes being matched and the CAN standard selected. Its value is calculated as [Absolute Maximum] - [Data Match Size]. For CAN 2.0, the absolute maximum is 8 bytes. For ISO CAN FD and Non-ISO CAN FD, the absolute maximum is 64 bytes. The minimum data match size is 1 byte, which produces the ranges listed above. Increasing the data match size above 1 byte will adjust the range of valid data offset values accordingly.</p> |
| <b>Examples</b>         | <p>TRIGGER:A:BUS:B1:CAN:DATA:OFFSET 5 sets the CAN data offset to 5 bytes.</p> <p>TRIGGER:A:BUS:B1:CAN:DATA:OFFSET? might return 7, indicating the CAN data offset is 7 bytes.</p> <p>If the CAN standard is set for CAN 2.0, and the trigger data size is set to 3, the maximum value for the data offset will be 5 (8 - 3 = 5).</p> <p>If the CAN standard is set for ISO CAN FD or Non-ISO CAN FD, and the trigger data size is set to 8, the maximum value for the data offset will be 56 (64 - 8 = 56).</p>                                                                                                                                                     |

## TRIGGER:{A|B}:BUS:B<x>:CAN:DATA:QUALIFIER

This command sets the qualifier (<, >, =, ≠, ≤, ≥) to be used when triggering on a CAN bus signal. The trigger condition must be set to IDANDDATA or DATA (using [TRIGGER:{A|B}:BUS:B<x>:CAN:CONDITION](#)). The bus number is specified by x.

|                   |                                                                                                                                                                             |
|-------------------|-----------------------------------------------------------------------------------------------------------------------------------------------------------------------------|
| <b>Conditions</b> | Requires option 5-SRAUTO or SUP5-SRAUTO Triggering and Analysis application.                                                                                                |
| <b>Group</b>      | Trigger                                                                                                                                                                     |
| <b>Syntax</b>     | <p>TRIGGER:{A B}:BUS:B&lt;x&gt;:CAN:DATA:QUALIFIER</p> <p>{LESSthan MOREthan EQUAL UNEQUAL LESSEQUAL MOREEQUAL}</p> <p>TRIGGER:{A B}:BUS:B&lt;x&gt;:CAN:DATA:QUALIFIER?</p> |

|                  |                                                                                                                                                                                                                                                                                                                                                                                                                                                                                                                                                                                                                                                                   |
|------------------|-------------------------------------------------------------------------------------------------------------------------------------------------------------------------------------------------------------------------------------------------------------------------------------------------------------------------------------------------------------------------------------------------------------------------------------------------------------------------------------------------------------------------------------------------------------------------------------------------------------------------------------------------------------------|
| <b>Arguments</b> | <p><b>LESSthan</b> sets the instrument to trigger when the data is less than the qualifier value.</p> <p><b>MOREthan</b> sets the instrument to trigger when the data is greater than the qualifier value.</p> <p><b>EQua1</b> sets the instrument to trigger when the data is equal to the qualifier value.</p> <p><b>UNEQua1</b> sets the instrument to trigger when the data is not equal to the qualifier value.</p> <p><b>LESSEQua1</b> sets the instrument to trigger when the data is less than or equal to the qualifier value.</p> <p><b>MOREEQua1</b> sets the instrument to trigger when the data is greater than or equal to the qualifier value.</p> |
| <b>Examples</b>  | <p><b>TRIGGER:A:BUS:B1:CAN:DATA:QUALIFIER LESSTHAN</b> sets the instrument to trigger when the data is less than the qualifier value.</p> <p><b>TRIGGER:A:BUS:B1:CAN:DATA:QUALIFIER?</b> might return <b>:TRIGGER:A:BUS:B1:CAN:DATA:QUALIFIER LESSTHAN</b>, indicating that the instrument is set to trigger when the data is less than the qualifier value.</p>                                                                                                                                                                                                                                                                                                  |

## **TRIGger:{A|B}:BUS:B<x>:CAN:DATA:SIZE**

This command sets the length of the data string, in bytes, to be used when triggering on a CAN bus signal. The trigger condition must be set to IDANDDATA or DATA (using [TRIGger:{A|B}:BUS:B<x>:CAN:CONDition](#)). The bus number is specified by x.

|                   |                                                                                                                                |
|-------------------|--------------------------------------------------------------------------------------------------------------------------------|
| <b>Conditions</b> | Requires option 5-SRAUTO or SUP5-SRAUTO Triggering and Analysis application.                                                   |
| <b>Group</b>      | Trigger                                                                                                                        |
| <b>Syntax</b>     | <p><b>TRIGger:{A B}:BUS:B&lt;x&gt;:CAN:DATA:SIZE &lt;NR1&gt;</b></p> <p><b>TRIGger:{A B}:BUS:B&lt;x&gt;:CAN:DATA:SIZE?</b></p> |
| <b>Arguments</b>  | <NR1> is the length of the data string in bytes.                                                                               |

**Examples**    `TRIGger:A:BUS:B1:CAN:DATA:SIZE 2` sets the data size to 2 bytes.  
`TRIGger:A:BUS:B1:CAN:DATA:SIZE?` might return  
`:TRIGGER:A:BUS:B1:CAN:DATA:SIZE 1` indicating the data size is set to 1 byte.

## TRIGger:{A|B}:BUS:B<x>:CAN:DATA:VALue

This command sets the binary data value to be used when triggering on a CAN bus signal. The trigger condition must be set to IDANDDATA or DATA (using [TRIGger:{A|B}:BUS:B<x>:CAN:CONDition](#)). The bus number is specified by x.

**Conditions**    Requires option 5-SRAUTO or SUP5-SRAUTO Triggering and Analysis application.

**Group**        Trigger

**Syntax**        `TRIGger:{A|B}:BUS:B<x>:CAN:DATA:VALue <QString>`  
`TRIGger:{A|B}:BUS:B<x>:CAN:DATA:VALue?`

**Arguments**    <QString> is the data value in binary format. The only allowed characters in the QString are 0, 1, and X.

**Examples**        `TRIGGER:A:BUS:B1:CAN:DATA:VALUE "1011"` sets the CAN data value to 1011.  
`TRIGGER:A:BUS:B1:CAN:DATA:VALUE?` might return  
`:TRIGGER:A:BUS:B1:CAN:DATA:VALUE "XXXXXXXX"` indicating the data valule is set to XXXXXXXX.

## TRIGger:{A|B}:BUS:B<x>:CAN:ERRType

This command sets or queries the type of error condition for a CAN bus to triggering on. The bus number is specified by x. The trigger condition must be set to ERRor.

**Conditions**    Requires option 5-SRAERO or SUP5-SRAERO Triggering and Analysis application.

**Group**        Trigger

**Syntax** TRIGger:{A|B}:BUS:B<x>:CAN:ERRTYPE  
 {ACKMISS|BITSTUFFing|FORMERROR|ANYERROR}  
 TRIGger:{A|B}:BUS:B<x>:CAN:ERRTYPE?

**Arguments** ACKMISS specifies triggering on a missing ACK field.  
 BITSTUFFing specifies triggering on a bit stuffing error.  
 FORMERROR specifies triggering on a CAN FD form error. To use this option, the CAN standard must be set to FDISO or FDNONISO.  
 ANYERROR specifies triggering on any error type.

**Examples** TRIGGER:A:BUS:B1:CAN:ERRTYPE ACKMISS specifies triggering on any missing ACK fields.  
 TRIGGER:A:BUS:B1:CAN:ERRTYPE? might return ANYERROR, indicating that the bus is triggering on all error types.

## TRIGger:{A|B}:BUS:B<x>:CAN:FD:BRSBit

This command sets or queries the value of the bit rate switch bit (BRS bit) for a CAN bus to triggering on. The bus number is specified by x. The trigger condition must be set to FDBITS, and the CAN standard must be FDISO or FDNONISO.

**Conditions** Requires option 5-SRAERO or SUP5-SRAERO Triggering and Analysis application.

**Group** Trigger

**Syntax** TRIGger:{A|B}:BUS:B<x>:CAN:FD:BRSBit {ONE|ZERO|NOCARE}  
 TRIGger:{A|B}:BUS:B<x>:CAN:FD:BRSBit?

**Arguments** ONE filters CAN FD packets to only match those where the BRS bit has a value of 1 (fast data enabled).  
 ZERO filters CAN FD packets to only match those where the BRS bit has a value of 0 (fast data disabled).  
 NOCARE disables filtering of CAN FD packets on the BRS bit.

**Examples** TRIGGER:A:BUS:B1:CAN:FD:BRSBit ONE specifies filtering CAN FD packets for those where the BRS bit has a value of 1.

TRIGGER:A:BUS:B1:CAN:FD:BRSBIT? might return NOCARE, indicating that CAN FD packets are not being filtered based on the BRS bit value.

## TRIGger:{A|B}:BUS:B<x>:CAN:FD:ESIBit

This command sets or queries the value of the error state indicator bit (ESI bit) for a CAN bus to triggering on. The bus number is specified by x. The trigger condition must be set to FDBITS, and the CAN standard must be FDISO or FDNONISO.

|                   |                                                                                                                                                                                                                                                                         |
|-------------------|-------------------------------------------------------------------------------------------------------------------------------------------------------------------------------------------------------------------------------------------------------------------------|
| <b>Conditions</b> | Requires option 5-SRAERO or SUP5-SRAERO Triggering and Analysis application.                                                                                                                                                                                            |
| <b>Group</b>      | Trigger                                                                                                                                                                                                                                                                 |
| <b>Syntax</b>     | TRIGger:{A B}:BUS:B<x>:CAN:FD:ESIBit {ONE ZERO NOCARE}<br>TRIGger:{A B}:BUS:B<x>:CAN:FD:ESIBit?                                                                                                                                                                         |
| <b>Arguments</b>  | ONE filters CAN FD packets to only match those where the ESI bit has a value of 1 (recessive).<br><br>ZERO filters CAN FD packets to only match those where the ESI bit has a value of 0 (dominant).<br><br>NOCARE disables filtering of CAN FD packets on the ESI bit. |
| <b>Examples</b>   | TRIGGER:A:BUS:B1:CAN:FD:ESIBit ONE specifies filtering CAN FD packets for those where the ESI bit has a value of 1.<br><br>TRIGGER:A:BUS:B1:CAN:FD:ESIBIT? might return NOCARE, indicating that CAN FD packets are not being filtered based on the ESI bit value.       |

## TRIGger:{A|B}:BUS:B<x>:CAN:FRAMETYPE

This command sets the frame type (data, remote, error or overload) to be used when triggering on a CAN bus signal. The trigger condition must be set to FRAMETYPE (using [TRIGger:{A|B}:BUS:B<x>:CAN:CONDITION](#)). B<x> is the bus number. The bus number is specified by x.

|                   |                                                                              |
|-------------------|------------------------------------------------------------------------------|
| <b>Conditions</b> | Requires option 5-SRAUTO or SUP5-SRAUTO Triggering and Analysis application. |
|-------------------|------------------------------------------------------------------------------|

|                  |                                                                                                                                                                                                                     |
|------------------|---------------------------------------------------------------------------------------------------------------------------------------------------------------------------------------------------------------------|
| <b>Group</b>     | Trigger                                                                                                                                                                                                             |
| <b>Syntax</b>    | <pre>TRIGger:{A B}:BUS:B&lt;x&gt;:CAN:FRAMeType {DATA REMOte ERRor OVERLoad} TRIGger:{A B}:BUS:B&lt;x&gt;:CAN:FRAMeType?</pre>                                                                                      |
| <b>Arguments</b> | <p>DATA specifies a data frame type.</p> <p>REMOte specifies a remote frame type.</p> <p>ERRor specifies an error frame type.</p> <p>OVERLoad specifies an overload frame type.</p>                                 |
| <b>Examples</b>  | <p>TRIGGER:A:BUS:B1:CAN:FRAMETYPE DATA sets the CAN trigger frame type to DATA.</p> <p>TRIGGER:A:BUS:B1:CAN:FRAMETYPE? might return<br/>:TRIGGER:A:BUS:B1:CAN:FRAMETYPE DATA indicating the frame type is data.</p> |

## TRIGger:{A|B}:BUS:B<x>:CAN:IDentifier:MODE

This command sets the addressing mode (standard or extended format) to be used when triggering on a CAN bus signal. The trigger condition must be set to IDANDDATA or DATA (using [TRIGger:{A|B}:BUS:B<x>:CAN:CONDition](#)). The bus number is specified by x.

|                   |                                                                                                                                   |
|-------------------|-----------------------------------------------------------------------------------------------------------------------------------|
| <b>Conditions</b> | Requires option 5-SRAUTO or SUP5-SRAUTO Triggering and Analysis application.                                                      |
| <b>Group</b>      | Trigger                                                                                                                           |
| <b>Syntax</b>     | <pre>TRIGger:{A B}:BUS:B&lt;x&gt;:CAN:IDentifier:MODE {STandard EXTended} TRIGger:{A B}:BUS:B&lt;x&gt;:CAN:IDentifier:MODE?</pre> |
| <b>Arguments</b>  | <p>STandard specifies the standard addressing mode.</p> <p>EXTended specifies the extended addressing mode.</p>                   |
| <b>Examples</b>   | TRIGGER:A:BUS:B1:CAN:IDentifier:MODE EXTENDED sets the addressing mode to extended.                                               |

TRIGger:A:BUS:B1:CAN:IDentifier:MODE? might return  
:TRIGGER:A:BUS:B1:CAN:IDENTIFIER:MODE STANDARD indicating the  
address mode is standard.

## TRIGger:{A|B}:BUS:B<x>:CAN:IDentifier:VALue

This command sets the binary address value to be used when triggering on a CAN bus signal. The trigger condition must be set to IDANDDATA or DATA (using [TRIGger:{A|B}:BUS:B<x>:CAN:CONDition](#)). The bus number is specified by x.

|                   |                                                                                                                                                                                                                                                       |
|-------------------|-------------------------------------------------------------------------------------------------------------------------------------------------------------------------------------------------------------------------------------------------------|
| <b>Conditions</b> | Requires option 5-SRAUTO or SUP5-SRAUTO Triggering and Analysis application.                                                                                                                                                                          |
| <b>Group</b>      | Trigger                                                                                                                                                                                                                                               |
| <b>Syntax</b>     | TRIGger:{A B}:BUS:B<x>:CAN:IDentifier:VALue <QString><br>TRIGger:{A B}:BUS:B<x>:CAN:IDentifier:VALue?                                                                                                                                                 |
| <b>Arguments</b>  | <QString> is up to 29 bits specifying the binary identifier value. The only allowed characters in the QString are 0, 1, and X.                                                                                                                        |
| <b>Examples</b>   | TRIGGER:A:BUS:B1:CAN:IDENTIFIER:VALUE "1011" sets the identifier value to 1011.<br><br>TRIGGER:A:BUS:B1:CAN:IDENTIFIER:VALUE? might return<br>:TRIGGER:A:BUS:B1:CAN:IDENTIFIER:VALUE "XXXXXXXXXXXX" indicating the identifier values is XXXXXXXXXXXX. |

## TRIGger:{A|B}:BUS:B<x>:ETHERnet:CONDition

This command specifies a field or condition within an Ethernet frame to trigger on. The bus number is specified by x.

|                   |                                                                                                    |
|-------------------|----------------------------------------------------------------------------------------------------|
| <b>Conditions</b> | Requires option 5-SRENET or SUP5-SRENET Triggering and Analysis application.                       |
| <b>Group</b>      | Trigger                                                                                            |
| <b>Syntax</b>     | TRIGger:{A B}:BUS:B<x>:ETHERnet:CONDition<br>{SFD MACADDRESS MACLENGTH IPHeader TCPHeader DATA EOP |

IDLE|FCSError|QTAG}

TRIGGER:{A|B}:BUS:B<x>:ETHERnet:CONDition?

**Related Commands** Most of the other TRIGGER:A:BUS:B<x>:ETHERnet commands are impacted by the setting of this command.

**Arguments**

- SFD — Start of frame delimiter.
- MACADDRESS — MAC addresses field.
- MACLENGTH — MAC length/type field.
- IPHeader — IP header field. This argument is only available when PROTOCOL is set to IPv4.
- TCPHeader — TCP header field. This argument is only available when PROTOCOL is set to IPv4.
- DATA — TCP/IPv4 or MAC protocol client data field. If the protocol is set to OTHER, then DATA refers to the MAC client data.
- EOP — End of Packet field.
- IDLE — Idle field.
- FCSError — Frame Check Sequence Error (CRC) field.
- QTAG — IEEE 802.1Q (VLAN) control information field. In order to use QTAG as a trigger condition, the frame type must be set to QTAG ).

**Examples**

TRIGGER:A:BUS:B1:ETHERnet:CONDition MACADDRESS sets the trigger field to MACADDRESS.

TRIGGER:A:BUS:B1:ETHERnet:CONDition? might return DATA.

## TRIGGER:{A|B}:BUS:B<x>:ETHERnet:DATA:HIVALue

When the Ethernet trigger condition is set to DATA, and the qualifier is set to either INrange or OUTrange, this command specifies the upper data value of the range. (Use the command TRIGGER:{A|B}:BUS:B<x>:ETHERnet:DATA:VALue to specify the lower limit of the range.) The default is all X's (don't care). The bus number is specified by x.

**Conditions** Requires option 5-SRENET or SUP5-SRENET Triggering and Analysis application.



|                         |                                                                                                                                                                                                                                                                                                                                                                                         |
|-------------------------|-----------------------------------------------------------------------------------------------------------------------------------------------------------------------------------------------------------------------------------------------------------------------------------------------------------------------------------------------------------------------------------------|
| <b>Group</b>            | Trigger                                                                                                                                                                                                                                                                                                                                                                                 |
| <b>Syntax</b>           | <pre>TRIGger: {A B}:BUS:B&lt;x&gt;:ETHERnet:DATA:HIVALue &lt;QString&gt; TRIGger: {A B}:BUS:B&lt;x&gt;:ETHERnet:DATA:HIVALue?</pre>                                                                                                                                                                                                                                                     |
| <b>Related Commands</b> | <p><a href="#">TRIGger: {A B}:BUS:B&lt;x&gt;:ETHERnet:DATA:VALue</a></p> <p><a href="#">TRIGger: {A B}:BUS:B&lt;x&gt;:ETHERnet:DATA:SIZE</a></p> <p><a href="#">TRIGger: {A B}:BUS:B&lt;x&gt;:ETHERnet:CONDition</a></p>                                                                                                                                                                |
| <b>Arguments</b>        | <p>&lt;QString&gt; is a quoted string whose length varies depending on the size setting, up to 32 bits. (Use the command <a href="#">TRIGger: {A B}:BUS:B&lt;x&gt;:ETHERnet:DATA:SIZE</a> to specify the size.) The allowable characters are 0, 1, and X. The bits specified in the quoted string replace the least significant bits, leaving any unspecified upper bits unchanged.</p> |
| <b>Examples</b>         | <pre>TRIGger:A:BUS:B1:ETHERnet:DATA:HIVALue "XXXXXXXXXXXXXXXXXXXXXXXXXXXX00001000" sets the upper limit of the range to XXXXXXXXXXXXXXXXXXXXXXXXXXXX00001000(when the trigger condition is set to DATA, and the qualifier is set to INrange or OUTrange) .  TRIGger:A:BUS:B1:ETHERnet:DATA:HIVALue? might return "XXXXXXXXXXXXXXXXXXXXXXXXXXXX"</pre>                                   |

## TRIGger: {A|B}:BUS:B<x>:ETHERnet:DATA:OFFSet

When the Ethernet trigger condition is set to DATA, this command specifies where in the data field to look for the data trigger value. It specifies the offset into the data field, in bytes, where the value will be matched. The default is -1 (don't care). The bus number is specified by x.

|                         |                                                                                                                               |
|-------------------------|-------------------------------------------------------------------------------------------------------------------------------|
| <b>Conditions</b>       | Requires option 5-SRENET or SUP5-SRENET Triggering and Analysis application.                                                  |
| <b>Group</b>            | Trigger                                                                                                                       |
| <b>Syntax</b>           | <pre>TRIGger: {A B}:BUS:B&lt;x&gt;:ETHERnet:DATA:OFFSet &lt;NR1&gt; TRIGger: {A B}:BUS:B&lt;x&gt;:ETHERnet:DATA:OFFSet?</pre> |
| <b>Related Commands</b> | <a href="#">TRIGger: {A B}:BUS:B&lt;x&gt;:ETHERnet:CONDition</a>                                                              |

### TRIGger:{A|B}:BUS:B<x>:ETHERnet:DATA:VALue

- Arguments** <NR1> is an integer whose minimum and default values are -1 (don't care) and maximum is 1,499.
- Examples** TRIGger:A:BUS:B1:ETHERnet:DATA:OFFSet 36 sets the data offset to 36 bytes.
- TRIGger:A:BUS:B1:ETHERnet:DATA:OFFSet? might return -1, indicating that the data offset value is the default value, -1, meaning "don't care".

### TRIGger:{A|B}:BUS:B<x>:ETHERnet:DATA:QUALifier

This command sets or queries the qualifier to be used when triggering on an Ethernet bus signal. The trigger condition must be set to DATA. The bus number is specified by x.

- Conditions** Requires option 5-SRENET or SUP5-SRENET Triggering and Analysis application.
- Group** Trigger
- Syntax** TRIGger:{A|B}:BUS:B<x>:ETHERnet:DATA:QUALifier {EQUAL|UNEQUAL|LESSThan|MOREthan|LESSEQUAL|MOREEQUAL|INrange|OUTrange}  
 TRIGger:{A|B}:BUS:B<x>:ETHERnet:DATA:QUALifier?
- Arguments** LESSThan sets the qualifier to less than.  
 MOREthan sets the qualifier to greater than.  
 EQUAL sets the qualifier to equal.  
 UNEQUAL sets the qualifier to not equal.  
 LESSEQUAL sets the qualifier to less than or equal.  
 MOREEQUAL sets the qualifier to greater than or equal.  
 INrange sets the qualifier to in range.  
 OUTrange sets the qualifier to out of range.
- Examples** TRIGger:A:BUS:B1:ETHERnet:DATA:QUALifier LESSTHAN sets the qualifier to less than.

TRIGger:A:BUS:B1:ETHERnet:DATA:QUALifier? might return  
:TRIGGER:A:BUS:B1:ETHERNET:DATA:QUALIFIER EQUAL indicating the  
qualifier is set to equal.

## TRIGger:{A|B}:BUS:B<x>:ETHERnet:DATA:SIZE

When the Ethernet trigger condition is set to DATA, this command specifies the number of contiguous TCP/IPV4/MAC client data bytes to trigger on. The bus number is specified by x.

**Conditions** Requires option 5-SRENET or SUP5-SRENET Triggering and Analysis application.

**Group** Trigger

**Syntax** TRIGger:{A|B}:BUS:B<x>:ETHERnet:DATA:SIZE <NR1>  
TRIGger:{A|B}:BUS:B<x>:ETHERnet:DATA:SIZE?

**Related Commands** [TRIGger:{A|B}:BUS:B<x>:ETHERnet:CONDition](#)

**Arguments** <NR1> specifies the number of contiguous TCP/IPV4/MAC client data bytes. The minimum and default values are 1 and maximum is 16, except when the qualifier is set to Inside Range or Outside Range. In these cases, the maximum size is 4.

**Examples** TRIGger:A:BUS:B1:ETHERnet:DATA:SIZE 4 sets the instrument to trigger on 4 contiguous data bytes.

TRIGger:A:BUS:B1:ETHERnet:DATA:SIZE? might return 6, indicating that the instrument is set to trigger on 6 contiguous data bytes.

## TRIGger:{A|B}:BUS:B<x>:ETHERnet:DATA:VALue

When the Ethernet trigger condition is set to DATA, and the qualifier is set to LESSthan, MOREthan, EQUAL, UNEQUAL, LESSEQUAL or MOREEQUAL, this command specifies the value to trigger on. When the Ethernet trigger condition is set to DATA, and the qualifier is set to INrange or OUTrange, this command specifies the lower limit of the range. (Use the command [TRIGger:{A|B}:BUS:B<x>:ETHERnet:DATA:HIVALue](#) to set the upper limit of the range.) The default is all X's (don't care). The bus number is specified by x.

|                         |                                                                                                                                                                                                                                                                                                                                                                                                                                |
|-------------------------|--------------------------------------------------------------------------------------------------------------------------------------------------------------------------------------------------------------------------------------------------------------------------------------------------------------------------------------------------------------------------------------------------------------------------------|
| <b>Conditions</b>       | Requires option 5-SRENET or SUP5-SRENET Triggering and Analysis application.                                                                                                                                                                                                                                                                                                                                                   |
| <b>Group</b>            | Trigger                                                                                                                                                                                                                                                                                                                                                                                                                        |
| <b>Syntax</b>           | TRIGger:{A B}:BUS:B<x>:ETHERnet:DATA:VALue <QString><br>TRIGger:{A B}:BUS:B<x>:ETHERnet:DATA:VALue?                                                                                                                                                                                                                                                                                                                            |
| <b>Related Commands</b> | <a href="#">TRIGger:{A B}:BUS:B&lt;x&gt;:ETHERnet:CONDition</a><br><a href="#">TRIGger:{A B}:BUS:B&lt;x&gt;:ETHERnet:DATA:OFFSet</a><br><a href="#">TRIGger:{A B}:BUS:B&lt;x&gt;:ETHERnet:DATA:SIZE</a><br><a href="#">TRIGger:{A B}:BUS:B&lt;x&gt;:ETHERnet:DATA:HIVALue</a>                                                                                                                                                  |
| <b>Arguments</b>        | <QString> is a quoted string where the allowable characters are 0, 1, and X. The allowable number of characters depends on the setting for size (using TRIGger:A:BUS:B<x>:ETHERnet:DATA:SIZE). The bits specified in the quoted string replace the least significant bits, leaving any unspecified upper bits unchanged.                                                                                                       |
| <b>Examples</b>         | <p>TRIGger:A:BUS:B1:ETHERnet:DATA:VALue "00001000" sets the binary data to trigger on to 00001000, assuming the qualifier is set to LESSthan, MOREthan, EQUAL, UNEQUAL, LESSEQUAL or MOREEQUAL, and DATA:SIZE is set to 1 byte.</p> <p>TRIGger:A:BUS:B1:ETHERnet:DATA:VALue "00001000" sets the lower limit of the range to 00001000, assuming the qualifier is set to INrange or OUTrange, andDATA:SIZE is set to 1 byte.</p> |

## TRIGger:{A|B}:BUS:B<x>:ETHERnet:IPHeader:DESTinationaddr:VALue

When the Ethernet trigger condition is set to IPHeader, this command specifies the value of the 32-bit destination address that is to be used in the trigger (along with the source address and protocol value). The IP destination address is a standard IP address such as 192.168.0.1. The default is all X's (don't care). The bus number is specified by x.

**Conditions** Requires option 5-SRENET or SUP5-SRENET Triggering and Analysis application.

**Group** Trigger

**Syntax** TRIGger:{A|B}:BUS:B<x>:ETHERnet:IPHeader:DESTinationaddr:VALue <QString>  
 TRIGger:{A|B}:BUS:B<x>:ETHERnet:IPHeader:DESTinationaddr:VALue?

**Related Commands** [TRIGger:{A|B}:BUS:B<x>:ETHERnet:CONDition](#)  
[TRIGger:{A|B}:BUS:B<x>:ETHERnet:IPHeader:SOUrceaddr:VALue](#)  
[TRIGger:{A|B}:BUS:B<x>:ETHERnet:IPHeader:PROTOcol:VALue](#)

**Arguments** <QString> is a quoted string of up to 32 characters where the allowable characters are 0, 1, and X. The bits specified in the quoted string replace the least significant bits, leaving any unspecified upper bits unchanged.

**Examples** TRIGger:A:BUS:B1:ETHERnet:IPHeader:DESTinationaddr:VALue "0001100100100001011010000000001" sets the IP destination address to trigger on to 192.168.0.1.  
 TRIGger:A:BUS:B1:ETHERnet:IPHeader:DESTinationaddr:VALue might return "XXXXXXXXXXXXXXXXXXXXXXXXXXXXXXXXXXXX01".

## TRIGger:{A|B}:BUS:B<x>:ETHERnet:IPHeader:PROTOcol:VALue

When the Ethernet trigger condition is set to IPHeader, this command specifies the value of the 8-bit protocol field that is to be used in the trigger (along with the source and destination addresses). The default is all X's (don't care). The bus number is specified by x.

---

**NOTE.** Commonly used protocol values are 1 (ICMP), 2 (IGMP), 6 (TCP) and 17 (UDP).

---

**Conditions** Requires option 5-SRENET or SUP5-SRENET Triggering and Analysis application.

**Group** Trigger

**Syntax** TRIGger:{A|B}:BUS:B<x>:ETHERnet:IPHeader:PROTOcol:VALue <QString>  
 TRIGger:{A|B}:BUS:B<x>:ETHERnet:IPHeader:PROTOcol:VALue?

**Related Commands** [TRIGger:{A|B}:BUS:B<x>:ETHERnet:CONDition](#)

TRIGger: {A|B}:BUS:B<x>:ETHERnet:IPHeader:SOURceaddr:VALue

TRIGger: {A|B}:BUS:B<x>:ETHERnet:IPHeader:DESTinationaddr:VALue

**Arguments** <QString> is a quoted string of up to 8 characters where the allowable characters are 0, 1, and X. The bits specified in the quoted string replace the least significant bits, leaving any unspecified upper bits unchanged.

**Examples** TRIGGER:A:BUS:B1:ETHERNET:IPHEADER:PROTOCOL:VALUE "01010010" would set the value to be used in the trigger to 01010010.

TRIGger:A:BUS:B1:ETHERnet:IPHeader:PROTOcol:VALue? might return "XXXXXXXX".

## TRIGger:{A|B}:BUS:B<x>:ETHERnet:IPHeader:SOURceaddr:VALue

When the Ethernet trigger condition is set to **IPHeader**, this command specifies the value of the 32-bit source address that is to be used in the trigger (along with the destination address and protocol value). The IP source address is a standard IP address such as 192.168.0.1. The default is all X's (don't care). The bus number is specified by x.

**Conditions** Requires option 5-SRENET or SUP5-SRENET Triggering and Analysis application.

**Group** Trigger

**Syntax** TRIGger: {A|B}:BUS:B<x>:ETHERnet:IPHeader:SOURceaddr:VALue  
<QString>  
TRIGger: {A|B}:BUS:B<x>:ETHERnet:IPHeader:SOURceaddr:VALue?

**Related Commands** TRIGger: {A|B}:BUS:B<x>:ETHERnet:CONDition

TRIGger: {A|B}:BUS:B<x>:ETHERnet:IPHeader:DESTinationaddr:VALue

TRIGger: {A|B}:BUS:B<x>:ETHERnet:IPHeader:PROTOcol:VALue

**Arguments** <QString> is a quoted string of up to 32 characters where the allowable characters are 0, 1, and X. The bits specified in the quoted string replace the least significant bits, leaving any unspecified upper bits unchanged.

**Examples** TRIGger:A:BUS:B1:ETHERnet:IPHeader:SOURceaddr:VALue  
 "00011001001000010111010000000001" sets the IP source address to trigger on to 192.168.0.1.

TRIGger:A:BUS:B1:ETHERnet:IPHeader:SOURceaddr:VALue might return "XXXXXXXXXXXXXXXXXXXXXXXXXXXXXXXXXXXX01".

## TRIGger:{A|B}:BUS:B<x>:ETHERnet:MAC:ADDRess:DESTination:VALue

When the Ethernet trigger condition is set to MACADDRESS, this command specifies the 48-bit MAC destination address that is to be used in the trigger (along with the source address value). The default is all X's (don't care). The bus number is specified by x.

---

**NOTE.** MAC Addresses are 48-bit values such as 08:00:11:1E:C9:AE hex.

---

**Conditions** Requires option 5-SRENET or SUP5-SRENET Triggering and Analysis application.

**Group** Trigger

**Syntax** TRIGger:{A|B}:BUS:B<x>:ETHERnet:MAC:ADDRess:DESTination:VALue <QString>  
 TRIGger:{A|B}:BUS:B<x>:ETHERnet:MAC:ADDRess:DESTination:VALue?

**Related Commands** [TRIGger:{A|B}:BUS:B<x>:ETHERnet:CONDition](#)  
[TRIGger:{A|B}:BUS:B<x>:ETHERnet:MAC:ADDRess:SOURce:VALue](#)

**Arguments** <QString> is a quoted string of up to 48 characters where the allowable characters are 0, 1, and X. The bits specified in the quoted string replace the least significant bits, leaving any unspecified upper bits unchanged.

**Examples** TRIGger:A:BUS:B1:ETHERnet:MAC:ADDRess:DESTination:VALue  
 "xxxxxxxx01010111111100000011110101010101000" would set the MAC destination address to trigger on to XX:35:FC:07:AA:C8 hex.

TRIGger:A:BUS:B1:ETHERnet:MAC:ADDRess:DESTination:VALue? might return "xxxxxxxx01010111111100000011110101010101000".

## TRIGger:{A|B}:BUS:B<x>:ETHERnet:MAC:ADDResS:SOUrce:VALue

When the Ethernet trigger condition is set to **MACADDRESS**, this command specifies the 48-bit MAC source address value that is to be used in the trigger (along with the destination address value). The default is all X's (don't care). The bus number is specified by x.

---

**NOTE.** *MAC Addresses are 48-bit values such as 08:00:11:1E:C9:AE hex.*

---

|                         |                                                                                                                                                                                                                                                                                                                |
|-------------------------|----------------------------------------------------------------------------------------------------------------------------------------------------------------------------------------------------------------------------------------------------------------------------------------------------------------|
| <b>Conditions</b>       | Requires option 5-SRENET or SUP5-SRENET Triggering and Analysis application.                                                                                                                                                                                                                                   |
| <b>Group</b>            | Trigger                                                                                                                                                                                                                                                                                                        |
| <b>Syntax</b>           | TRIGger:{A B}:BUS:B<x>:ETHERnet:MAC:ADDResS:SOUrce:VALue<br><QString><br>TRIGger:{A B}:BUS:B<x>:ETHERnet:MAC:ADDResS:SOUrce:VALue?                                                                                                                                                                             |
| <b>Related Commands</b> | <a href="#">TRIGger:{A B}:BUS:B&lt;x&gt;:ETHERnet:CONDition</a><br><a href="#">TRIGger:{A B}:BUS:B&lt;x&gt;:ETHERnet:MAC:ADDResS:DESTination:VALue</a>                                                                                                                                                         |
| <b>Arguments</b>        | <QString> is a quoted string of up to 48 characters where the allowable characters are 0, 1, and X. The bits specified in the quoted string replace the least significant bits, leaving any unspecified upper bits unchanged.                                                                                  |
| <b>Examples</b>         | TRIGger:A:BUS:B1:ETHERnet:MAC:ADDResS:SOUrce:VALue<br>"XXXXXXXXXX010101111111000000011110101010101000" would set the MAC destination address to trigger on to XX:35:FC:07:AA:C8 hex.<br><br>TRIGger:A:BUS:B1:ETHERnet:MAC:ADDResS:SOUrce:VALue? might return "XXXXXXXXXX010101111111000000011110101010101000". |

## TRIGger:{A|B}:BUS:B<x>:ETHERnet:MAC:LENGth:HIVALue

When the Ethernet trigger condition is set to **MACLENGTH**, and the qualifier is set to **INrange** or **OUTrange**, this command specifies the upper data value of the range. (Use the command [TRIGger:{A|B}:BUS:B<x>:ETHERnet:MAC:LENGth:VALue](#) to specify the lower limit of the range.) The default is all X's (don't care). The bus number is specified by x.



|                         |                                                                                                                                                                                                                                                                                                                                 |
|-------------------------|---------------------------------------------------------------------------------------------------------------------------------------------------------------------------------------------------------------------------------------------------------------------------------------------------------------------------------|
| <b>Conditions</b>       | Requires option 5-SRENET or SUP5-SRENET Triggering and Analysis application.                                                                                                                                                                                                                                                    |
| <b>Group</b>            | Trigger                                                                                                                                                                                                                                                                                                                         |
| <b>Syntax</b>           | TRIGger:{A B}:BUS:B<x>:ETHERnet:MAC:LENgth:HIVALue <QString><br>TRIGger:{A B}:BUS:B<x>:ETHERnet:MAC:LENgth:HIVALue?                                                                                                                                                                                                             |
| <b>Related Commands</b> | <a href="#">TRIGger:{A B}:BUS:B&lt;x&gt;:ETHERnet:CONDition</a><br><a href="#">TRIGger:{A B}:BUS:B&lt;x&gt;:ETHERnet:MAC:LENgth:VALue</a>                                                                                                                                                                                       |
| <b>Arguments</b>        | <QString> is a quoted string of up to 16 characters where the allowable characters are 0, 1, and X. The bits specified in the quoted string replace the least significant bits, leaving any unspecified upper bits unchanged.                                                                                                   |
| <b>Examples</b>         | TRIGger:A:BUS:B1:ETHERnet:MAC:LENgth:HIVALue<br>"XXXXXXXX00001000" sets the upper limit of the range to the hexadecimal value XX08 (when the trigger condition is set to MACLENgth, and the qualifier is set to INrange or OUTrange) .<br><br>TRIGGER:A:BUS:B1:ETHERNET:MAC:LENGTH:HIVALUE? might return<br>"XXXXXXXX00001000". |

## TRIGger:{A|B}:BUS:B<x>:ETHERnet:MAC:LENgth:VALue

When the Ethernet trigger condition is set to MACLENgth, and the qualifier is set to LESSthan, MOREthan, EQUAl, UNEQuAl, LESSEQuAl or MOREEQuAl, this command specifies the 16-bit value to trigger on. When the qualifier is set to INrange or OUTrange, this command specifies the lower limit of the range. (Use the command [TRIGger:{A|B}:BUS:B<x>:ETHERnet:MAC:LENgth:HIVALue](#) to set the upper limit of the range.) The default is all X's (don't care). The bus number is specified by x.

|                   |                                                                                                                 |
|-------------------|-----------------------------------------------------------------------------------------------------------------|
| <b>Conditions</b> | Requires option 5-SRENET or SUP5-SRENET Triggering and Analysis application.                                    |
| <b>Group</b>      | Trigger                                                                                                         |
| <b>Syntax</b>     | TRIGger:{A B}:BUS:B<x>:ETHERnet:MAC:LENgth:VALue <QString><br>TRIGger:{A B}:BUS:B<x>:ETHERnet:MAC:LENgth:VALue? |

|                         |                                                                                                                                                                                                                                                                                                                                                                                                                                                  |
|-------------------------|--------------------------------------------------------------------------------------------------------------------------------------------------------------------------------------------------------------------------------------------------------------------------------------------------------------------------------------------------------------------------------------------------------------------------------------------------|
| <b>Related Commands</b> | <a href="#">TRIGger:{A B}:BUS:B&lt;x&gt;:ETHERnet:CONDition</a><br><a href="#">TRIGger:{A B}:BUS:B&lt;x&gt;:ETHERnet:MAC:LENgth:HIVALue</a>                                                                                                                                                                                                                                                                                                      |
| <b>Arguments</b>        | <p>&lt;QString&gt; is a quoted string of up to 16 characters where the allowable characters are 0, 1, and X. The bits specified in the quoted string replace the least significant bits, leaving any unspecified upper bits unchanged.</p>                                                                                                                                                                                                       |
| <b>Examples</b>         | <p>TRIGger:A:BUS:B1:ETHERnet:MAC:LENgth:VALue<br/> "XXXXXXXX00001000" sets the MAC length/type value to trigger on the hexadecimal value XX08, assuming the qualifier is set to LESSthan, MOREthan, EQUAL, UNEQUAL, LESSEQUAL or MOREEQUAL.</p> <p>TRIGger:A:BUS:B1:ETHERnet:MAC:LENgth:VALue<br/> "XXXXXXXX00001000" sets the lower limit of the range to the hexadecimal value XX08, assuming the qualifier is set to INrange or OUTrange.</p> |

## TRIGger:{A|B}:BUS:B<x>:ETHERnet:QTAG:VALue

When the Ethernet trigger condition is set to QTAG, this command specifies the 32-bit Q-Tag value to trigger on. The default is all X's (don't care). The bus number is specified by x.

|                         |                                                                                                                                                                                                                                            |
|-------------------------|--------------------------------------------------------------------------------------------------------------------------------------------------------------------------------------------------------------------------------------------|
| <b>Conditions</b>       | Requires option 5-SRENET or SUP5-SRENET Triggering and Analysis application.                                                                                                                                                               |
| <b>Group</b>            | Trigger                                                                                                                                                                                                                                    |
| <b>Syntax</b>           | TRIGger:{A B}:BUS:B<x>:ETHERnet:QTAG:VALue <QString><br>TRIGger:{A B}:BUS:B<x>:ETHERnet:QTAG:VALue?                                                                                                                                        |
| <b>Related Commands</b> | <a href="#">TRIGger:{A B}:BUS:B&lt;x&gt;:ETHERnet:CONDition</a>                                                                                                                                                                            |
| <b>Arguments</b>        | <p>&lt;QString&gt; is a quoted string of up to 32 characters where the allowable characters are 0, 1, and X. The bits specified in the quoted string replace the least significant bits, leaving any unspecified upper bits unchanged.</p> |
| <b>Examples</b>         | <p>TRIGGER:A:BUS:B1:ETHERNET:QTAG:VALUE<br/> "XXXXXXXXXXXXXXXXXXXX010010001010" would specify to trigger on the Q-Tag value of hexadecimal XXXXX48A.</p>                                                                                   |

TRIGGER:A:BUS:B1:ETHERNET:QTAG:VALUE? might return  
 "XXXXXXXXXXXXXXXXXXXXXXXXX010010001010".

## TRIGger:{A|B}:BUS:B<x>:ETHERnet:TCPHeader:ACKnum:VALue

When the Ethernet trigger condition is set to TCPHeader, this command specifies the 32-bit acknowledgement number that is to be used in the trigger (along with the destination and source port addresses and the sequence number). The default is all X's (don't care). The bus number is specified by x.

**Conditions** Requires option 5-SRENET or SUP5-SRENET Triggering and Analysis application.

**Group** Trigger

**Syntax** TRIGger:{A|B}:BUS:B<x>:ETHERnet:TCPHeader:ACKnum:VALue  
 <QString>  
 TRIGger:{A|B}:BUS:B<x>:ETHERnet:TCPHeader:ACKnum:VALue?

**Related Commands** [TRIGger:{A|B}:BUS:B<x>:ETHERnet:CONDition](#)  
[TRIGger:{A|B}:BUS:B<x>:ETHERnet:TCPHeader:DESTinationport:VALue](#)  
[TRIGger:{A|B}:BUS:B<x>:ETHERnet:TCPHeader:SOUrceport:VALue](#)  
[TRIGger:{A|B}:BUS:B<x>:ETHERnet:TCPHeader:SEQnum:VALue](#)

**Arguments** <QString> is a quoted string of up to 32 characters where the allowable characters are 0, 1, and X. The bits specified in the quoted string replace the least significant bits, leaving any unspecified upper bits unchanged.

**Examples** TRIGger:A:BUS:B1:ETHERnet:TCPHeader:ACKnum:VALue  
 "XXXXXXXXXXXXXXXXXXXXXXXXX00001000" sets the acknowledgement number to be used in the trigger to hexadecimal XXXXXX08.

TRIGger:A:BUS:B1:ETHERnet:TCPHeader:ACKnum:VALue? might  
 return :TRIGGER:A:BUS:B1:ETHERNET:TCPHEADER:ACKNUM:VALUE  
 "XXXXXXXXXXXXXXXXXXXXXXXXXXXXXXXXXXXX" indicating the value is set to  
 XXXXXXXXXXXXXXXXXXXXXXXXXXXXXXXXXXXXXXX.

## TRIGger:{A|B}:BUS:B<x>:ETHERnet:TCPHeader:DESTinationport:VALue

When the Ethernet trigger condition is set `TCPHeader`, this command specifies the 16-bit destination port address value that is to be used in the trigger (along with the acknowledgement value, source port address and the sequence number). The default is all X's (don't care). The bus number is specified by `x`.

**Conditions** Requires option 5-SRENET or SUP5-SRENET Triggering and Analysis application.

**Group** Trigger

**Syntax** TRIGger:{A|B}:BUS:B<x>:ETHERnet:TCPHeader:DESTinationport:VALue <QString>  
 TRIGger:{A|B}:BUS:B<x>:ETHERnet:TCPHeader:DESTinationport:VALue?

**Related Commands** [TRIGger:{A|B}:BUS:B<x>:ETHERnet:CONDition](#)  
[TRIGger:{A|B}:BUS:B<x>:ETHERnet:TCPHeader:ACKnum:VALue](#)  
[TRIGger:{A|B}:BUS:B<x>:ETHERnet:TCPHeader:SOUrceport:VALue](#)  
[TRIGger:{A|B}:BUS:B<x>:ETHERnet:TCPHeader:SEQnum:VALue](#)

**Arguments** <QString> is a quoted string of up to 16 characters where the allowable characters are 0, 1, and X. The bits specified in the quoted string replace the least significant bits, leaving any unspecified upper bits unchanged.

**Examples** TRIGger:A:BUS:B1:ETHERnet:TCPHeader:DESTinationport:VALue "XXXXXXXX00100010" would set the destination port address value that is to be used in the trigger to hexadecimal XX22.  
 TRIGger:A:BUS:B1:ETHERnet:TCPHeader:DESTinationport:VALue? might return "XXXXXXXXXXXXXXXX".

## TRIGger:{A|B}:BUS:B<x>:ETHERnet:TCPHeader:SEQnum:VALue

When the Ethernet trigger condition is set to `TCPHeader`, this command specifies the 32-bit sequence number that is to be used in the trigger (along with the destination and source port addresses and the acknowledgement value). The default is all X's (don't care). The bus number is specified by `x`.

|                   |                                                                                                                                  |
|-------------------|----------------------------------------------------------------------------------------------------------------------------------|
| <b>Conditions</b> | Requires option 5-SRENET or SUP5-SRENET Triggering and Analysis application.                                                     |
| <b>Group</b>      | Trigger                                                                                                                          |
| <b>Syntax</b>     | TRIGger: {A B}:BUS:B<x>:ETHERnet:TCPHeader:SEQnum:VALue<br><QString><br>TRIGger: {A B}:BUS:B<x>:ETHERnet:TCPHeader:SEQnum:VALue? |

**Related Commands**

TRIGger: {A|B}:BUS:B<x>:ETHERnet:CONDition

TRIGger: {A|B}:BUS:B<x>:ETHERnet:TCPHeader:ACKnum:VALue

TRIGger: {A|B}:BUS:B<x>:ETHERnet:TCPHeader:SOUrceport:VALue

TRIGger: {A|B}:BUS:B<x>:ETHERnet:TCPHeader:DESTinationport:VALue

**Arguments**

<QString> is a quoted string of up to 32 characters where the allowable characters are 0, 1, and X. The bits specified in the quoted string replace the least significant bits, leaving any unspecified upper bits unchanged.

**Examples**

TRIGger:A:BUS:B1:ETHERnet:TCPHeader:SEQnum:VALue  
"XXXXXXXXXXXXXXXXXXXX000100010001" would set the sequence number that is to be used in the trigger to hexadecimal XXXXX111.

TRIGger:A:BUS:B1:ETHERnet:TCPHeader:SEQnum:VALue? might return  
"XXXXXXXXXXXXXXXXXXXX0010010100".

## TRIGger:{A|B}:BUS:B<x>:ETHERnet:TCPHeader:SOUrceport:VALue

When the Ethernet trigger condition is set to TCPHeader, this command specifies the 16-bit source port address that is to be used in the trigger (along with the destination port address, the sequence number and the acknowledgement number). The default is all X's (don't care). The bus number is specified by x.

|                   |                                                                                                                                          |
|-------------------|------------------------------------------------------------------------------------------------------------------------------------------|
| <b>Conditions</b> | Requires option 5-SRENET or SUP5-SRENET Triggering and Analysis application.                                                             |
| <b>Group</b>      | Trigger                                                                                                                                  |
| <b>Syntax</b>     | TRIGger: {A B}:BUS:B<x>:ETHERnet:TCPHeader:SOUrceport:VALue<br><QString><br>TRIGger: {A B}:BUS:B<x>:ETHERnet:TCPHeader:SOUrceport:VALue? |

**Related Commands**    [TRIGger:{A|B}:BUS:B<x>:ETHERnet:CONDition](#)  
[TRIGger:{A|B}:BUS:B<x>:ETHERnet:TCPHeader:ACKnum:VALue](#)  
[TRIGger:{A|B}:BUS:B<x>:ETHERnet:TCPHeader:SEQnum:VALue](#)  
[TRIGger:{A|B}:BUS:B<x>:ETHERnet:TCPHeader:DESTinationport:VALue](#)

**Arguments**    <QString> is a quoted string of up to 16 characters where the allowable characters are 0, 1, and X. The bits specified in the quoted string replace the least significant bits, leaving any unspecified upper bits unchanged.

**Examples**    `TRIGger:A:BUS:B1:ETHERnet:TCPHeader:Sourceport:VALue "XXXX000010100110"` would set the source port address that is to be used in the trigger to hexadecimal X0A6.  
`TRIGger:A:BUS:B1:ETHERnet:TCPHeader:Sourceport:VALue?` might return "XXXXX01001010110".

## TRIGger:{A|B}:BUS:B<x>:FLEXray:CONDition

This command specifies the condition to use when triggering on a FlexRay bus signal (start of frame, frame type, ID, cycle count, header, data, ID and data, EOF, error). The bus number is specified by x.

**Conditions**    Requires option 5-SRAUTO or SUP5-SRAUTO Triggering and Analysis application.

**Group**    Trigger

**Syntax**    `TRIGger:{A|B}:BUS:B<x>:FLEXray:CONDition {SOF|FRAMEType|IDentifier|CYCLEcount|HEADER|DATA|IDANDDATA|EOF|ERROR}`

`TRIGger:{A|B}:BUS:B<x>:FLEXray:CONDition?`

**Arguments**    SOF sets the trigger condition to start of frame.  
 FRAMEType sets the trigger condition to frame type.  
 IDentifier sets the trigger condition to identifier.  
 CYCLEcount sets the trigger condition to cycle count.  
 HEADER sets the trigger condition to header.

DATA sets the trigger condition to data.

IDANDDATA sets the trigger condition to id and data.

EOF sets the trigger condition to end of frame.

ERROR sets the trigger condition to error.

**Examples** TRIGGER:A:BUS:B1:FLEXRAY:CONDITION FRAMETYPE sets the FlexRay condition to frame type.

TRIGGER:A:BUS:B1:FLEXRAY:CONDITION? might return TRIGGER:A:BUS:B1:FLEXRAY:CONDITION SOF indicating the FlexRay condition is start of frame.

## TRIGger:{A|B}:BUS:B<x>:FLEXray:CYCLEcount:HIVALue

This command specifies the high value when triggering on a FlexRay bus cycle count field. (Use TRIGger:{A|B}:BUS:B<x>:FLEXray:CYCLEcount:VALue to set the low value.) The trigger condition must be set to CYCLEcount (using TRIGger:{A|B}:BUS:B<x>:FLEXray:CONDition). The bus number is specified by x.

**Conditions** Requires option 5-SRAUTO or SUP5-SRAUTO Triggering and Analysis application.

**Group** Trigger

**Syntax** TRIGger:{A|B}:BUS:B<x>:FLEXray:CYCLEcount:HIVALue <QString>  
TRIGger:{A|B}:BUS:B<x>:FLEXray:CYCLEcount:HIVALue?

**Arguments** <QString> is a quoted string that is the cycle count high value.

**Examples** TRIGGER:A:BUS:B1:FLEXRAY:CYCLECOUNT:HIVALUE "110010" sets the cycle count high value to 110010.

TRIGGER:A:BUS:B1:FLEXRAY:CYCLECOUNT:HIVALUE? might return TRIGGER:A:BUS:B1:FLEXRAY:CYCLECOUNT:HIVALUE "XXXXXX" indicating the cycle count high value is don't care.

## TRIGger:{A|B}:BUS:B<x>:FLEXray:CYCLEcount:QUALifier

This command specifies the qualifier (<, >, =, <=, >=, not =, in range, out of range) to use when triggering on the FlexRay bus cycle count field. The trigger condition must be set to CYCLEcount (using [TRIGger:{A|B}:BUS:B<x>:FLEXray:CONDition](#)). The bus number is specified by x.

**Conditions** Requires option 5-SRAUTO or SUP5-SRAUTO Triggering and Analysis application.

**Group** Trigger

**Syntax** TRIGger:{A|B}:BUS:B<x>:FLEXray:CYCLEcount:QUALifier  
{LESSthan|MOREthan|EQua|UNEQua|LESSEQua|MOREEQua|INrange|OUTrange}

TRIGger:{A|B}:BUS:B<x>:FLEXray:CYCLEcount:QUALifier?

**Arguments** LESSthan sets the cycle count qualifier to less than.  
MOREthan sets the cycle count qualifier to more than.  
EQua sets the cycle count qualifier to equal.  
UNEQua sets the cycle count qualifier to not equal.  
LESSEQua sets the cycle count qualifier to less than or equal.  
MOREEQua sets the cycle count qualifier to greater than or equal.  
INrange sets the cycle count qualifier to in range.  
OUTrange sets the cycle count qualifier to out of range.

**Examples** TRIGGER:A:BUS:B1:FLEXRAY:CYCLECOUNT:QUALIFIER LESSTHAN sets the cycle count qualifier to LESSTHAN.  
TRIGGER:A:BUS:B1:FLEXRAY:CYCLECOUNT:QUALIFIER? might return TRIGGER:A:BUS:B1:FLEXRAY:CYCLECOUNT:QUALIFIER EQUAL indicating that the cycle count qualifier is set to EQUAL.

## TRIGger:{A|B}:BUS:B<x>:FLEXray:CYCLEcount:VALue

This command specifies the low value when triggering on the FlexRay bus cycle count field. (Use [TRIGger:{A|B}:BUS:B<x>:FLEXray:CYCLEcount:HIVALue](#) to set the upper value.) The trigger condition must be set to CYCLEcount (using



`TRIGger:{A|B}:BUS:B<x>:FLEXray:CONDition`). The bus number is specified by x.

|                   |                                                                                                                                                                                                                                                                                                       |
|-------------------|-------------------------------------------------------------------------------------------------------------------------------------------------------------------------------------------------------------------------------------------------------------------------------------------------------|
| <b>Conditions</b> | Requires option 5-SRAUTO or SUP5-SRAUTO Triggering and Analysis application.                                                                                                                                                                                                                          |
| <b>Group</b>      | Trigger                                                                                                                                                                                                                                                                                               |
| <b>Syntax</b>     | <code>TRIGger:{A B}:BUS:B&lt;x&gt;:FLEXray:CYCLEcount:VALue &lt;QString&gt;</code><br><code>TRIGger:{A B}:BUS:B&lt;x&gt;:FLEXray:CYCLEcount:VALue?</code>                                                                                                                                             |
| <b>Arguments</b>  | <QString> is a quoted binary data string that represents the cycle count low value.                                                                                                                                                                                                                   |
| <b>Examples</b>   | <code>TRIGGER:A:BUS:B1:FLEXRAY:CYCLECOUNT:VALUE "11001101"</code> sets the cycle count value to 11001101.<br><br><code>TRIGGER:A:BUS:B1:FLEXRAY:CYCLECOUNT:VALUE?</code> might return <code>TRIGGER:A:BUS:B1:FLEXRAY:CYCLECOUNT:VALUE "XXXXXX"</code> indicating the cycle count value is don't care. |

## `TRIGger:{A|B}:BUS:B<x>:FLEXray:DATA:HIVALue`

This command specifies the high value when triggering on the FlexRay bus data field. (Use `TRIGger:{A|B}:BUS:B<x>:FLEXray:DATA:VALue` to set the lower value.) The trigger condition needs to be set to ID or IDANDDATA (using `TRIGger:{A|B}:BUS:B<x>:FLEXray:CONDition`). The bus number is specified by x.

|                   |                                                                                                                                                   |
|-------------------|---------------------------------------------------------------------------------------------------------------------------------------------------|
| <b>Conditions</b> | Requires option 5-SRAUTO or SUP5-SRAUTO Triggering and Analysis application.                                                                      |
| <b>Group</b>      | Trigger                                                                                                                                           |
| <b>Syntax</b>     | <code>TRIGger:{A B}:BUS:B&lt;x&gt;:FLEXray:DATA:HIVALue &lt;QString&gt;</code><br><code>TRIGger:{A B}:BUS:B&lt;x&gt;:FLEXray:DATA:HIVALue?</code> |
| <b>Arguments</b>  | <QString> is a quoted string that is the binary data high value.                                                                                  |



|                   |                                                                                                                                                                                                                                                                                                                                                                                                                                                                    |
|-------------------|--------------------------------------------------------------------------------------------------------------------------------------------------------------------------------------------------------------------------------------------------------------------------------------------------------------------------------------------------------------------------------------------------------------------------------------------------------------------|
| <b>Conditions</b> | Requires option 5-SRAUTO or SUP5-SRAUTO Triggering and Analysis application.                                                                                                                                                                                                                                                                                                                                                                                       |
| <b>Group</b>      | Trigger                                                                                                                                                                                                                                                                                                                                                                                                                                                            |
| <b>Syntax</b>     | <pre>TRIGger:{A B}:BUS:B&lt;x&gt;:FLEXray:DATA:QUALifier {LESSthan MOREthan EQua1 UNEQua1 LESSEQua1 MOREEQua1  INrange OUTrange}  TRIGger:{A B}:BUS:B&lt;x&gt;:FLEXray:DATA:QUALifier?</pre>                                                                                                                                                                                                                                                                       |
| <b>Arguments</b>  | <p>LESSthan sets the data qualifier to less than.</p> <p>MOREthan sets the data qualifier to greater than.</p> <p>EQua1 sets the data qualifier to equal.</p> <p>UNEQua1 sets the data qualifier to not equal.</p> <p>LESSEQua1 sets the data qualifier to less than or equal.</p> <p>MOREEQua1 sets the data qualifier to greater than or equal.</p> <p>INrange sets the data qualifier to in range.</p> <p>OUTrange sets the data qualifier to out of range.</p> |
| <b>Examples</b>   | <pre>TRIGGER:A:BUS:B1:FLEXRAY:DATA:QUALIFIER LESSTHAN sets the data qualifier to LESSTHAN.  TRIGGER:A:BUS:B1:FLEXRAY:DATA:QUALIFIER? might return TRIGGER:A:BUS:B1:FLEXRAY:DATA:QUALIFIER EQUAL indicating the data qualifier is EQUAL.</pre>                                                                                                                                                                                                                      |

## TRIGger:{A|B}:BUS:B<x>:FLEXray:DATA:SIZE

This command specifies the length of the data string, in bytes, when triggering on the FlexRay bus data field. The trigger condition needs to be set to ID or IDANDDATA (using [TRIGger:{A|B}:BUS:B<x>:FLEXray:CONDition](#)). The bus number is specified by x.

**Conditions** Requires option 5-SRAUTO or SUP5-SRAUTO Triggering and Analysis application.

**Group** Trigger

|                  |                                                                                                                                                                                                                |
|------------------|----------------------------------------------------------------------------------------------------------------------------------------------------------------------------------------------------------------|
| <b>Syntax</b>    | TRIGger:{A B}:BUS:B<x>:FLEXray:DATA:SIZE <NR1><br>TRIGger:{A B}:BUS:B<x>:FLEXray:DATA:SIZE?                                                                                                                    |
| <b>Arguments</b> | <NR1> is the FlexRay data string length, in bytes.                                                                                                                                                             |
| <b>Examples</b>  | TRIGGER:A:BUS:B1:FLEXRAY:DATA:SIZE 8 sets the data string size to 8 bytes.<br><br>TRIGGER:A:BUS:B1:FLEXRAY:DATA:SIZE? might return<br>TRIGGER:A:BUS:B1:FLEXRAY:DATA:SIZE 1 indicating the data size is 1 byte. |

## TRIGger:{A|B}:BUS:B<x>:FLEXray:DATA:VALue

This command specifies the low value when triggering on the FlexRay bus data field. (Use [TRIGger:{A|B}:BUS:B<x>:FLEXray:DATA:HIVALue](#) to set the upper value.) The trigger condition needs to be set to ID or IDANDDATA (using [TRIGger:{A|B}:BUS:B<x>:FLEXray:CONDition](#)). The bus number is specified by x.

|                   |                                                                                                                                                                                                                                                                    |
|-------------------|--------------------------------------------------------------------------------------------------------------------------------------------------------------------------------------------------------------------------------------------------------------------|
| <b>Conditions</b> | Requires option 5-SRAUTO or SUP5-SRAUTO Triggering and Analysis application.                                                                                                                                                                                       |
| <b>Group</b>      | Trigger                                                                                                                                                                                                                                                            |
| <b>Syntax</b>     | TRIGger:{A B}:BUS:B<x>:FLEXray:DATA:VALue <QString><br>TRIGger:{A B}:BUS:B<x>:FLEXray:DATA:VALue?                                                                                                                                                                  |
| <b>Arguments</b>  | <QString> is a quoted string.                                                                                                                                                                                                                                      |
| <b>Examples</b>   | TRIGGER:A:BUS:B1:FLEXRAY:DATA:VALUE "11001101" sets the FlexRay data value for triggering to 11001101.<br><br>TRIGGER:A:BUS:B1:FLEXRAY:DATA:VALUE? might return<br>TRIGGER:A:BUS:B1:FLEXRAY:DATA:VALUE "XXXXXXXX" indicating the FlexRay data value is don't care. |

## TRIGger:{A|B}:BUS:B<x>:FLEXray:EOFTYPE

This command specifies the end of file type (static, dynamic or any) when triggering on the FlexRay bus EOF field. The trigger condition needs to be set to

EOF (using [TRIGger:{A|B}:BUS:B<x>:FLEXray:CONDition](#)). The bus number is specified by x.

|                   |                                                                                                                                                                                                                                   |
|-------------------|-----------------------------------------------------------------------------------------------------------------------------------------------------------------------------------------------------------------------------------|
| <b>Conditions</b> | Requires option 5-SRAUTO or SUP5-SRAUTO Triggering and Analysis application.                                                                                                                                                      |
| <b>Group</b>      | Trigger                                                                                                                                                                                                                           |
| <b>Syntax</b>     | TRIGger:{A B}:BUS:B<x>:FLEXray:EOFTYPE {STATic DYNAMic ANY}<br>TRIGger:{A B}:BUS:B<x>:FLEXray:EOFTYPE?                                                                                                                            |
| <b>Arguments</b>  | STATic specifies triggering on the STATIC end of file type.<br>DYNAMic specifies triggering on the DYNAMIC end of file type.<br>ANY specifies triggering on a STATIC or DYNAMIC end of file type.                                 |
| <b>Examples</b>   | TRIGGER:A:BUS:B1:FLEXRAY:EOFTYPE ANY sets the FlexRay end of file type to ANY.<br><br>TRIGGER:A:BUS:B1:FLEXRAY:EOFTYPE? might return<br>TRIGGER:A:BUS:B1:FLEXRAY:EOFTYPE STATIC indicating the FlexRay end of file type is STATIC |

## TRIGger:{A|B}:BUS:B<x>:FLEXray:ERRTYPE

This command specifies the error type when triggering on the FlexRay bus signal. The trigger condition needs to be set to ERROR (using [TRIGger:{A|B}:BUS:B<x>:FLEXray:CONDition](#)). The bus number is specified by x.

|                   |                                                                                                                                                                |
|-------------------|----------------------------------------------------------------------------------------------------------------------------------------------------------------|
| <b>Conditions</b> | Requires option 5-SRAUTO or SUP5-SRAUTO Triggering and Analysis application.                                                                                   |
| <b>Group</b>      | Trigger                                                                                                                                                        |
| <b>Syntax</b>     | TRIGger:{A B}:BUS:B<x>:FLEXray:ERRTYPE<br>{CRCHeader CRCTrailer SYNCFRAME STARTUPnosync NULLFRStatic NULLFRDynamic}<br>TRIGger:{A B}:BUS:B<x>:FLEXray:ERRTYPE? |

|                  |                                                                                                                                                                                                                                                                                                                                           |
|------------------|-------------------------------------------------------------------------------------------------------------------------------------------------------------------------------------------------------------------------------------------------------------------------------------------------------------------------------------------|
| <b>Arguments</b> | <p>CRCHeader sets the error type to CRCHeader.</p> <p>CRCTrailer sets the error type to CRCTrailer.</p> <p>SYNCFrame sets the error type to SYNCFrame.</p> <p>STARTupnosync sets the error type to STARTupnosync.</p> <p>NULLFRStatic sets the error type to NULLFRStatic.</p> <p>NULLFRDynamic sets the error type to NULLFRDynamic.</p> |
| <b>Examples</b>  | <p>TRIGGER:A:BUS:B1:FLEXRAY:ERRTYPE SYNCFRAME sets the trigger type is SYNCFRAME.</p> <p>TRIGGER:A:BUS:B1:FLEXRAY:ERRTYPE? might return TRIGGER:A:BUS:B1:FLEXRAY:ERRTYPE CRCHEADER indicating the FlexRay trigger type is CRCHeader.</p>                                                                                                  |

## TRIGger:{A|B}:BUS:B<x>:FLEXray:FRAMEID:HIVALue

This command specifies the high value when triggering on the FlexRay bus frame ID field. (Use [TRIGger:{A|B}:BUS:B<x>:FLEXray:FRAMEID:VALue](#) to set the low value.) The trigger condition needs to be set to Identifier (using [TRIGger:{A|B}:BUS:B<x>:FLEXray:CONDition](#)). The bus number is specified by x.

|                   |                                                                                                                                                                                                                                                                                      |
|-------------------|--------------------------------------------------------------------------------------------------------------------------------------------------------------------------------------------------------------------------------------------------------------------------------------|
| <b>Conditions</b> | Requires option 5-SRAUTO or SUP5-SRAUTO Triggering and Analysis application.                                                                                                                                                                                                         |
| <b>Group</b>      | Trigger                                                                                                                                                                                                                                                                              |
| <b>Syntax</b>     | <p>TRIGger:{A B}:BUS:B&lt;x&gt;:FLEXray:FRAMEID:HIVALue &lt;QString&gt;</p> <p>TRIGger:{A B}:BUS:B&lt;x&gt;:FLEXray:FRAMEID:HIVALue?</p>                                                                                                                                             |
| <b>Arguments</b>  | <QString> is a quoted string that is the binary frame ID high value.                                                                                                                                                                                                                 |
| <b>Examples</b>   | <p>TRIGGER:A:BUS:B1:FLEXRAY:FRAMEID:HIVALUE "11001100101" sets the frame ID high value to 11001100101.</p> <p>TRIGGER:A:BUS:B1:FLEXRAY:FRAMEID:HIVALUE? might return TRIGGER:A:BUS:B1:FLEXRAY:FRAMEID:HIVALUE "XXXXXXXXXXXX" indicating the frame ID high value is "don't care".</p> |

## TRIGger:{A|B}:BUS:B<x>:FLEXray:FRAMEID:QUALifier

This command specifies the qualifier to use when triggering on the FlexRay bus frame ID field. The trigger condition needs to be set to IDentifier (using [TRIGger:{A|B}:BUS:B<x>:FLEXray:CONDition](#)). The bus number is specified by x.

|                   |                                                                                                                                                                                                                                                                                                                                                                                                                                                                                                    |
|-------------------|----------------------------------------------------------------------------------------------------------------------------------------------------------------------------------------------------------------------------------------------------------------------------------------------------------------------------------------------------------------------------------------------------------------------------------------------------------------------------------------------------|
| <b>Conditions</b> | Requires option 5-SRAUTO or SUP5-SRAUTO Triggering and Analysis application.                                                                                                                                                                                                                                                                                                                                                                                                                       |
| <b>Group</b>      | Trigger                                                                                                                                                                                                                                                                                                                                                                                                                                                                                            |
| <b>Syntax</b>     | TRIGger:{A B}:BUS:B<x>:FLEXray:FRAMEID:QUALifier {LESSthan MOREthan EQua1 UNEQua1 LESSEQua1 MOREEQua1 INrange OUTrange}<br>TRIGger:{A B}:BUS:B<x>:FLEXray:FRAMEID:QUALifier?                                                                                                                                                                                                                                                                                                                       |
| <b>Arguments</b>  | <p>LESSthan sets the frame ID qualifier to less than.</p> <p>MOREthan sets the frame ID qualifier to greater than.</p> <p>EQua1 sets the frame ID qualifier to equal.</p> <p>UNEQua1 sets the frame ID qualifier to not equal.</p> <p>LESSEQua1 sets the frame ID qualifier to less than or equal.</p> <p>MOREEQua1 sets the frame ID qualifier to greater than or equal.</p> <p>INrange sets the frame ID qualifier to in range.</p> <p>OUTrange sets the frame ID qualifier to out of range.</p> |
| <b>Examples</b>   | <p>TRIGGER:A:BUS:B1:FLEXRAY:FRAMEID:QUALIFIER LESSTHAN sets the frame ID qualifier to less than.</p> <p>TRIGGER:A:BUS:B1:FLEXRAY:FRAMEID:QUALIFIER? might return TRIGGER:A:BUS:B1:FLEXRAY:FRAMEID:QUALIFIER EQUAL indicating the frame ID qualifier is set to equal.</p>                                                                                                                                                                                                                           |

## TRIGger:{A|B}:BUS:B<x>:FLEXray:FRAMEID:VALue

This command specifies the low value when triggering on the FlexRay bus frame ID field. (Use [TRIGger:{A|B}:BUS:B<x>:FLEXray:FRAMEID:HIVALue](#) to set the high value.) The trigger condition needs to be set to IDentifier (using [TRIGger:{A|B}:BUS:B<x>:FLEXray:CONDition](#)). The bus number is specified by x.

|                   |                                                                                                                                                                                                                                                                |
|-------------------|----------------------------------------------------------------------------------------------------------------------------------------------------------------------------------------------------------------------------------------------------------------|
| <b>Conditions</b> | Requires option 5-SRAUTO or SUP5-SRAUTO Triggering and Analysis application.                                                                                                                                                                                   |
| <b>Group</b>      | Trigger                                                                                                                                                                                                                                                        |
| <b>Syntax</b>     | TRIGger:{A B}:BUS:B<x>:FLEXray:FRAMEID:VALUE <QString><br>TRIGger:{A B}:BUS:B<x>:FLEXray:FRAMEID:VALUE?                                                                                                                                                        |
| <b>Arguments</b>  | <QString> is a quoted string that is the FlexRay frame ID low value.                                                                                                                                                                                           |
| <b>Examples</b>   | TRIGGER:A:BUS:B1:FLEXRAY:FRAMEID:VALUE "11001100101" sets the frame ID value to 11001100101.<br><br>TRIGGER:A:BUS:B1:FLEXRAY:FRAMEID:VALUE? might return<br>TRIGGER:A:BUS:B1:FLEXRAY:FRAMEID:VALUE "XXXXXXXXXXXX" indicating the frame ID value is don't care. |

## TRIGger:{A|B}:BUS:B<x>:FLEXray:FRAMEType

This command specifies the frame type (normal, payload, null, sync or startup) when triggering on the FlexRay bus signal. The trigger condition needs to be set to FRAMEType (using [TRIGger:{A|B}:BUS:B<x>:FLEXray:CONDition](#)). The bus number is specified by x.

|                   |                                                                                                                                                                                                                 |
|-------------------|-----------------------------------------------------------------------------------------------------------------------------------------------------------------------------------------------------------------|
| <b>Conditions</b> | Requires option 5-SRAUTO or SUP5-SRAUTO Triggering and Analysis application.                                                                                                                                    |
| <b>Group</b>      | Trigger                                                                                                                                                                                                         |
| <b>Syntax</b>     | TRIGger:{A B}:BUS:B<x>:FLEXray:FRAMEType<br>{NORMa1 PAYLoad NULL SYNC STARTUp}<br><br>TRIGger:{A B}:BUS:B<x>:FLEXray:FRAMEType?                                                                                 |
| <b>Arguments</b>  | NORMa1 specifies the normal frame type.<br>PAYLoad specifies the payload frame type.<br>NULL specifies the null frame type.<br>SYNC specifies the sync frame type.<br>STARTUp specifies the startup frame type. |



**Examples** TRIGGER:A:BUS:B1:FLEXRAY:FRAMETYPE PAYLOAD sets the frame type to payload.

TRIGGER:A:BUS:B1:FLEXRAY:FRAMETYPE? might return  
 TRIGGER:A:BUS:B1:FLEXRAY:FRAMETYPE NORMAL indicating the frame type is set to normal.

## TRIGger:{A|B}:BUS:B<x>:FLEXray:HEADER:CRC

This command specifies the CRC portion of the binary header string when triggering on the FlexRay bus signal. The trigger condition needs to be set to HEADer (using TRIGger:{A|B}:BUS:B<x>:FLEXray:CONDition). The bus number is specified by x.

**Conditions** Requires option 5-SRAUTO or SUP5-SRAUTO Triggering and Analysis application.

**Group** Trigger

**Syntax** TRIGger:{A|B}:BUS:B<x>:FLEXray:HEADER:CRC <Qstring>  
 TRIGger:{A|B}:BUS:B<x>:FLEXray:HEADER:CRC?

**Arguments** <Qstring> is a quoted string that is the CRC portion of the binary header string.

**Examples** TRIGGER:A:BUS:B1:FLEXRAY:HEADER:CRC "11001100101" sets the CRC portion of the binary header string to 11001100101.

TRIGGER:A:BUS:B1:FLEXRAY:HEADER:CRC? might return  
 TRIGGER:A:BUS:B1:FLEXRAY:HEADER:CRC "XXXXXXXXXXXX" indicating the CRC portion of the binary header string is don't care.

## TRIGger:{A|B}:BUS:B<x>:FLEXray:HEADER:CYCLEcount

This command specifies the cycle count portion of the binary header string when triggering on the FlexRay bus header. The trigger condition needs to be set to HEADer (using TRIGger:{A|B}:BUS:B<x>:FLEXray:CONDition). The bus number is specified by x.

**Conditions** Requires option 5-SRAUTO or SUP5-SRAUTO Triggering and Analysis application.

|                  |                                                                                                                                                                                                                                                   |
|------------------|---------------------------------------------------------------------------------------------------------------------------------------------------------------------------------------------------------------------------------------------------|
| <b>Group</b>     | Trigger                                                                                                                                                                                                                                           |
| <b>Syntax</b>    | TRIGger:{A B}:BUS:B<x>:FLEXray:HEADER:CYCLEcount <QString><br>TRIGger:{A B}:BUS:B<x>:FLEXray:HEADER:CYCLEcount?                                                                                                                                   |
| <b>Arguments</b> | <QString> is a quoted string that is the cycle count portion of the binary header string.                                                                                                                                                         |
| <b>Examples</b>  | TRIGGER:A:BUS:B1:FLEXRAY:HEADER:CYCLECOUNT "110010" sets the cycle count to 110010.<br><br>TRIGGER:A:BUS:B1:FLEXRAY:HEADER:CYCLECOUNT? might return TRIGGER:A:BUS:B1:FLEXRAY:HEADER:CYCLECOUNT "XXXXXX" indicating the cycle count is don't care. |

## TRIGger:{A|B}:BUS:B<x>:FLEXray:HEADER:FRAMEID

This command specifies the frame ID portion of the binary header string when triggering on the FlexRay bus header. The trigger condition needs to be set to HEADer (using [TRIGger:{A|B}:BUS:B<x>:FLEXray:CONDition](#)). The bus number is specified by x.

|                   |                                                                                                                                                                                                                                                                                                                              |
|-------------------|------------------------------------------------------------------------------------------------------------------------------------------------------------------------------------------------------------------------------------------------------------------------------------------------------------------------------|
| <b>Conditions</b> | Requires option 5-SRAUTO or SUP5-SRAUTO Triggering and Analysis application.                                                                                                                                                                                                                                                 |
| <b>Group</b>      | Trigger                                                                                                                                                                                                                                                                                                                      |
| <b>Syntax</b>     | TRIGger:{A B}:BUS:B<x>:FLEXray:HEADER:FRAMEID <QString><br>TRIGger:{A B}:BUS:B<x>:FLEXray:HEADER:FRAMEID?                                                                                                                                                                                                                    |
| <b>Arguments</b>  | <QString> is a quoted string that represents the frame ID portion of the binary header string.                                                                                                                                                                                                                               |
| <b>Examples</b>   | TRIGGER:A:BUS:B1:FLEXRAY:HEADER:FRAMEID "11001100101" sets the frame ID portion of the binary header string to 11001100101.<br><br>TRIGGER:A:BUS:B1:FLEXRAY:HEADER:FRAMEID? might return TRIGGER:A:BUS:B1:FLEXRAY:HEADER:FRAMEID "XXXXXXXXXXXX" indicating the frame ID portion of the binary header string is "don't care". |

## TRIGger:{A|B}:BUS:B<x>:FLEXray:HEADER:INDBits

This command specifies the indicator bits portion of the binary header string when triggering on the FlexRay bus header. The trigger condition needs to be set to HEADer (using [TRIGger:{A|B}:BUS:B<x>:FLEXray:CONDition](#)). The bus number is specified by x.

|                   |                                                                                                                                                                                                                                                                                                                   |
|-------------------|-------------------------------------------------------------------------------------------------------------------------------------------------------------------------------------------------------------------------------------------------------------------------------------------------------------------|
| <b>Conditions</b> | Requires option 5-SRAUTO or SUP5-SRAUTO Triggering and Analysis application.                                                                                                                                                                                                                                      |
| <b>Group</b>      | Trigger                                                                                                                                                                                                                                                                                                           |
| <b>Syntax</b>     | TRIGger:{A B}:BUS:B<x>:FLEXray:HEADER:INDBits <QString><br>TRIGger:{A B}:BUS:B<x>:FLEXray:HEADER:INDBits?                                                                                                                                                                                                         |
| <b>Arguments</b>  | <QString> is a quoted string that is the indicator bits portion of the binary header string.                                                                                                                                                                                                                      |
| <b>Examples</b>   | TRIGGER:A:BUS:B1:FLEXRAY:HEADER:INDBITS "11001" sets the indicator bits portion of the header string to 11001.<br><br>TRIGGER:A:BUS:B1:FLEXRAY:HEADER:INDBITS? might return<br>TRIGGER:A:BUS:B1:FLEXRAY:HEADER:INDBITS "XXXXX" indicating that the indicator bits portion of the header string are "don't cares". |

## TRIGger:{A|B}:BUS:B<x>:FLEXray:HEADER:PAYLength

This command specifies the payload length portion of the binary header string when triggering on the FlexRay bus header. The trigger condition needs to be set to HEADer (using [TRIGger:{A|B}:BUS:B<x>:FLEXray:CONDition](#)). The bus number is specified by x.

|                   |                                                                                                               |
|-------------------|---------------------------------------------------------------------------------------------------------------|
| <b>Conditions</b> | Requires option 5-SRAUTO or SUP5-SRAUTO Triggering and Analysis application.                                  |
| <b>Group</b>      | Trigger                                                                                                       |
| <b>Syntax</b>     | TRIGger:{A B}:BUS:B<x>:FLEXray:HEADER:PAYLength <QString><br>TRIGger:{A B}:BUS:B<x>:FLEXray:HEADER:PAYLength? |

- Arguments** <QString> is the length of the payload portion of the Binary header string.
- Examples** TRIGGER:A:BUS:B1:FLEXRAY:HEADER:PAYLENGTH "1100101" sets the FlexRay header paylength to 1100101.
- TRIGGER:A:BUS:B1:FLEXRAY:HEADER:PAYLENGTH? might return TRIGGER:A:BUS:B1:FLEXRAY:HEADER:PAYLENGTH "XXXXXXX" indicating the FlexRay header paylength is don't care.

## TRIGger:{A|B}:BUS:B<x>:I2C:ADDRess:MODE

This command specifies the I<sup>2</sup>C address mode to 7 or 10-bit. The bus number is specified by x.

- Conditions** Requires option 5-SREMBD or SUP5-SREMBD Triggering and Analysis application.

**Group** Trigger

**Syntax** TRIGger:{A|B}:BUS:B<x>:I2C:ADDRess:MODE {ADDR7|ADDR10}  
TRIGger:{A|B}:BUS:B<x>:I2C:ADDRess:MODE?

- Arguments** ADDR7 specifies the 7-bit I<sup>2</sup>C address mode.  
ADDR10 specifies the 10-bit I<sup>2</sup>C address mode.

- Examples** TRIGGER:A:BUS:B1:I2C:ADDRESS:MODE ADDR10 sets the I2C address mode to 10-bit.
- TRIGGER:A:BUS:B1:I2C:ADDRESS:MODE? might return :TRIGGER:A:BUS:B1:I2C:ADDRESS:MODE ADDR7 indicating the address mode is set to the 7-bit mode.

## TRIGger:{A|B}:BUS:B<x>:I2C:ADDRess:VALue

This command specifies the binary address string used for the I<sup>2</sup>C trigger if the trigger condition is ADDRESS or ADDRANDDATA. The bus number is specified by x.

- Conditions** Requires option 5-SREMBD or SUP5-SREMBD Triggering and Analysis application.

|                  |                                                                                                                                                                                                                                                        |
|------------------|--------------------------------------------------------------------------------------------------------------------------------------------------------------------------------------------------------------------------------------------------------|
| <b>Group</b>     | Trigger                                                                                                                                                                                                                                                |
| <b>Syntax</b>    | <pre>TRIGger:{A B}:BUS:B&lt;x&gt;:I2C:ADDRess:VALue &lt;QString&gt; TRIGger:{A B}:BUS:B&lt;x&gt;:I2C:ADDRess:VALue?</pre>                                                                                                                              |
| <b>Arguments</b> | <QString> is up to 7 or 10-bits depending on the address mode that specifies the address. The only allowed characters in the QString are 0, 1, and X.                                                                                                  |
| <b>Examples</b>  | <pre>TRIGGER:A:BUS:B1:I2C:ADDRESS:VALUE "1011" sets the I2C address value to XXX1011.</pre> <pre>TRIGGER:A:BUS:B1:I2C:ADDRESS:VALUE? might return :TRIGGER:A:BUS:B1:I2C:ADDRESS:VALUE "XXXXXXX" indicating the address value is set to XXXXXXXX.</pre> |

## TRIGger:{A|B}:BUS:B<x>:I2C:CONDition

This command specifies the trigger condition for an I2C trigger. The bus number is specified by x.

|                   |                                                                                                                                                                                                                                                                                                                                                                                                                                              |
|-------------------|----------------------------------------------------------------------------------------------------------------------------------------------------------------------------------------------------------------------------------------------------------------------------------------------------------------------------------------------------------------------------------------------------------------------------------------------|
| <b>Conditions</b> | Requires option 5-SREMBD or SUP5-SREMBD Triggering and Analysis application.                                                                                                                                                                                                                                                                                                                                                                 |
| <b>Group</b>      | Trigger                                                                                                                                                                                                                                                                                                                                                                                                                                      |
| <b>Syntax</b>     | <pre>TRIGger:{A B}:BUS:B&lt;x&gt;:I2C:CONDition {START STOP REPEATstart ACKMISS ADDRess DATA ADDRANDDATA} TRIGger:{A B}:BUS:B&lt;x&gt;:I2C:CONDition?</pre>                                                                                                                                                                                                                                                                                  |
| <b>Arguments</b>  | <p>START specifies a search based on start condition.</p> <p>STOP specifies a search based on stop condition.</p> <p>REPEATstart specifies a search based on repeat of start condition.</p> <p>ACKMISS specifies a search based on missing acknowledgement condition.</p> <p>ADDRess specifies a search based on address.</p> <p>DATA specifies a search based on data.</p> <p>ADDRANDDATA specifies a search based on address and data.</p> |

**Examples** TRIGGER:A:BUS:B1:I2C:CONDITION START specifies start as the I<sup>2</sup>C trigger condition.

TRIGGER:A:BUS:B1:I2C:CONDITION? might return  
:TRIGGER:A:BUS:B1:I2C:CONDITION START indicating the condition is set to the start condition.

## TRIGger:{A|B}:BUS:B<x>:I2C:DATA:DIRection

This command specifies the I<sup>2</sup>C trigger type to be valid on a Read, Write, or Either condition. Read or write is indicated by the R/W bit in the I<sup>2</sup>C protocol. The bus number is specified by x.

**Conditions** Requires option 5-SREMBD or SUP5-SREMBD Triggering and Analysis application.

**Group** Trigger

**Syntax** TRIGger:{A|B}:BUS:B<x>:I2C:DATA:DIRection  
{READ|WRITE|NOCARE}  
TRIGger:{A|B}:BUS:B<x>:I2C:DATA:DIRection?

**Arguments** READ specifies read as the data direction.  
WRITE specifies write as the data direction.  
NOCARE specifies either as the data direction.

**Examples** TRIGGER:A:BUS:B1:I2C:DATA:DIRECTION WRITE specifies write as the I<sup>2</sup>C data direction.

TRIGGER:A:BUS:B1:I2C:DATA:DIRECTION? might return  
:TRIGGER:A:BUS:B1:I2C:DATA:DIRECTION NOCARE indicating the data direction is either read or write.

## TRIGger:{A|B}:BUS:B<x>:I2C:DATA:SIZE

This command specifies the length of the data string in bytes to be used for an I<sup>2</sup>C trigger if the trigger condition is DATA or ADDRANDDATA. Applies to bus <x>, where the bus number is specified by x.

**Conditions** Requires option 5-SREMBD or SUP5-SREMBD Triggering and Analysis application.

|                  |                                                                                                                                                                                                |
|------------------|------------------------------------------------------------------------------------------------------------------------------------------------------------------------------------------------|
| <b>Group</b>     | Trigger                                                                                                                                                                                        |
| <b>Syntax</b>    | <pre>TRIGger:{A B}:BUS:B&lt;x&gt;:I2C:DATA:SIZE &lt;NR1&gt; TRIGger:{A B}:BUS:B&lt;x&gt;:I2C:DATA:SIZE?</pre>                                                                                  |
| <b>Arguments</b> | <NR1> is the length of the data string in bytes.                                                                                                                                               |
| <b>Examples</b>  | <pre>TRIGger:A:BUS:B1:I2C:DATA:SIZE 1 sets the data size to 1 byte. TRIGger:A:BUS:B1:I2C:DATA:SIZE? might return :TRIGGER:A:BUS:B1:I2C:DATA:SIZE 1 indicating the size is set to 1 byte.</pre> |

## TRIGger:{A|B}:BUS:B<x>:I2C:DATA:VALue

This command specifies the binary data string used for I2C triggering if the trigger condition is DATA or ADDRANDDATA. The bus number is specified by x.

|                   |                                                                                                                                                                                                                        |
|-------------------|------------------------------------------------------------------------------------------------------------------------------------------------------------------------------------------------------------------------|
| <b>Conditions</b> | Requires option 5-SREMBD or SUP5-SREMBD Triggering and Analysis application.                                                                                                                                           |
| <b>Group</b>      | Trigger                                                                                                                                                                                                                |
| <b>Syntax</b>     | <pre>TRIGger:{A B}:BUS:B&lt;x&gt;:I2C:DATA:VALue &lt;QString&gt; TRIGger:{A B}:BUS:B&lt;x&gt;:I2C:DATA:VALue?</pre>                                                                                                    |
| <b>Arguments</b>  | <QString> is the binary data string, where the number of bits is 8 times the number of bytes specified. The only allowed characters in the string are 0, 1, and X.                                                     |
| <b>Examples</b>   | <pre>TRIGger:A:BUS:B1:I2C:DATA:VALue "11001101" sets the data value to 1100101. TRIGger:A:BUS:B1:I2C:DATA:VALue? might return :TRIGGER:A:BUS:B1:I2C:DATA:VALUE "XXXXXXXX" indicating the data value is XXXXXXXX.</pre> |

## TRIGger:{A|B}:BUS:B<x>:I3C:ADDRess:MODE

This command specifies the I3C address mode to either 7bit or 10bit when triggering on address field. The bus number is specified by x.

|                   |                                                                                                                                                                                                                                                                                                    |
|-------------------|----------------------------------------------------------------------------------------------------------------------------------------------------------------------------------------------------------------------------------------------------------------------------------------------------|
| <b>Conditions</b> | Requires option SRI3C.                                                                                                                                                                                                                                                                             |
| <b>Group</b>      | Trigger                                                                                                                                                                                                                                                                                            |
| <b>Syntax</b>     | TRIGger:{A B}:BUS:B<x>:I3C:ADDRess:MODE {ADDR7 ADDR10}<br>TRIGger:{A B}:BUS:B<x>:I3C:ADDRess:MODE?                                                                                                                                                                                                 |
| <b>Arguments</b>  | ADDR7 sets the trigger condition to 7-bit Address. This is the default value.<br>ADDR10 sets the trigger condition to 10-bit Address.                                                                                                                                                              |
| <b>Examples</b>   | TRIGger:A:BUS:B1:I3C:ADDRess:MODE ADDR10 specifies the trigger to happen on 10-bit Address.<br><br>TRIGger:A:BUS:B1:I3C:ADDRess:MODE? might return<br>:TRIGger:A:BUS:B1:I3C:ADDRess:MODE ADDR10, indicating that 10-bit Address is the currently specified field within a I3C frame to trigger on. |

## TRIGger:{A|B}:BUS:B<x>:I3C:ADDRess:VALue

This command specifies the binary address string used for the I3C trigger if the trigger condition is ADDRESS. The bus number is specified by x.

|                   |                                                                                                                                                            |
|-------------------|------------------------------------------------------------------------------------------------------------------------------------------------------------|
| <b>Conditions</b> | Requires option SRI3C.                                                                                                                                     |
| <b>Group</b>      | Trigger                                                                                                                                                    |
| <b>Syntax</b>     | TRIGger:{A B}:BUS:B<x>:I3C:ADDRess:VALue <QString><br>TRIGger:{A B}:BUS:B<x>:I3C:ADDRess:VALue?                                                            |
| <b>Arguments</b>  | <QString> is a quoted string that is the I3C trigger data value. XXXXXXXX in case of 7-bit addressing mode XXXXXXXXXXXX in case of 10-bit addressing mode. |



**Examples**    `TRIGger:A:BUS:B1:I3C:ADDRESS:VALUE "0101101"` sets the address value as 0101101.

`TRIGger:A:BUS:B1:I3C:ADDRESS:VALUE?` might return `:TRIGger:A:BUS:B1:I3C:ADDRESS:VALUE "0101101110"`, indicating that the address value is 0101101110.

## TRIGger:{A|B}:BUS:B<x>:I3C:CONDition

This command sets or queries the trigger condition for a I3C bus to trigger on. The bus number is specified by x.

**Conditions**    Requires option SRI3C.

**Group**        Trigger

**Syntax**        `TRIGger:{A|B}:BUS:B<x>:I3C:CONDition {START| REPEATStart| ADDRESS| DATA| SDRDirect| SDRBroadcast| ERRors| HOTJoin| HDRRestart| HDRExit| STOP}`  
`TRIGger:{A|B}:BUS:B<x>:I3C:CONDition?`

**Arguments**    `START` sets the trigger condition to `START`. This is the default value.

`REPEATStart` sets the trigger condition to `REPEATStart`.

`ADDRESS` sets the trigger condition to `ADDRESS`.

`DATA` sets the trigger condition to `DATA`.

`SDRDirect` sets the trigger condition to `SDRDirect`.

`SDRBroadcast` sets the trigger condition to `SDRBroadcast`.

`ERRors` sets the trigger condition to `ERRors`.

`HOTJoin` sets the trigger condition to `HOTJoin`.

`HDRRestart` sets the trigger condition to `HDRRestart`.

`HDRExit` sets the trigger condition to `HDRExit`.

`STOP` sets the trigger condition to `STOP`.

**Examples**        `TRIGger:A:BUS:B1:I3C:CONDition START` specifies start as the field within a I3C frame to trigger on.

TRIGger:A:BUS:B1:I3C:CONDition? might return  
:TRIGger:A:BUS:B1:I3C:CONDition START, indicating that start  
is the currently specified field within a I3C frame to trigger on.

## TRIGger:{A|B}:BUS:B<x>:I3C:DATA:DIRection

This command specifies the I3C bus data direction when triggering on data field.  
The bus number is specified by x.

|                   |                                                                                                                                                                                                                                                                                                                                            |
|-------------------|--------------------------------------------------------------------------------------------------------------------------------------------------------------------------------------------------------------------------------------------------------------------------------------------------------------------------------------------|
| <b>Conditions</b> | Requires option SRI3C.                                                                                                                                                                                                                                                                                                                     |
| <b>Group</b>      | Trigger                                                                                                                                                                                                                                                                                                                                    |
| <b>Syntax</b>     | TRIGger:{A B}:BUS:B<x>:I3C:DATA:DIRection<br>{READ WRITE NOCARE}<br>TRIGger:{A B}:BUS:B<x>:I3C:DATA:DIRection?                                                                                                                                                                                                                             |
| <b>Arguments</b>  | READ sets the trigger condition to Read Packet. This is the default value.<br>WRITE sets the trigger condition to Write Packet.<br>NOCARE sets the trigger condition to Either Read or Write Packet.                                                                                                                                       |
| <b>Examples</b>   | TRIGger:A:BUS:B1:I3C:DATA:DIRection READ specifies the trigger to<br>happen on 7-bit Address in Read Packets.<br><br>TRIGger:A:BUS:B1:I3C:DATA:DIRection? might return<br>:TRIGger:A:BUS:B1:I3C:DATA:DIRection READ, indicating that 7-bit<br>Address in Read packet is the currently specified field within a I3C frame to<br>trigger on. |

## TRIGger:{A|B}:BUS:B<x>:I3C:DATA:SIZE

This command specifies the length of the data string in bytes to be used for an I3C  
trigger if the trigger condition is DATA. The bus number is specified by x.

|                   |                        |
|-------------------|------------------------|
| <b>Conditions</b> | Requires option SRI3C. |
| <b>Group</b>      | Trigger                |

|                  |                                                                                                                                                                                                     |
|------------------|-----------------------------------------------------------------------------------------------------------------------------------------------------------------------------------------------------|
| <b>Syntax</b>    | TRIGger:{A B}:BUS:B<x>:I3C:DATA:SIZE <NR1><br>TRIGger:{A B}:BUS:B<x>:I3C:DATA:SIZE?                                                                                                                 |
| <b>Arguments</b> | <NR1> is the size of the data string in bytes. Data bytes can vary from 1 to 5.                                                                                                                     |
| <b>Examples</b>  | TRIGger:A:BUS:B1:I3C:DATA:SIZE 2 sets the data size value as 2.<br><br>TRIGger:A:BUS:B1:I3C:DATA:SIZE? might return<br>:TRIGger:A:BUS:B1:I3C:DATA:SIZE 2, indicating that the data size value is 2. |

## TRIGger:{A|B}:BUS:B<x>:I3C:DATA:VALue

This command specifies the binary data string used for I3C triggering if the trigger condition is DATA. The bus number is specified by x.

|                   |                                                                                                                                                                                                                          |
|-------------------|--------------------------------------------------------------------------------------------------------------------------------------------------------------------------------------------------------------------------|
| <b>Conditions</b> | Requires option SRI3C.                                                                                                                                                                                                   |
| <b>Group</b>      | Trigger                                                                                                                                                                                                                  |
| <b>Syntax</b>     | TRIGger:{A B}:BUS:B<x>:I3C:DATA:VALue <QString><br>TRIGger:{A B}:BUS:B<x>:I3C:DATA:VALue?                                                                                                                                |
| <b>Arguments</b>  | <QString> is a quoted string that is the I3C trigger data value. Default Data is XXXXXXXXX and user can enter up to XXXXXXXXX XXXXXXXXX XXXXXXXXX XXXXXXXXX XXXXXXXXX.                                                   |
| <b>Examples</b>   | TRIGger:A:BUS:B1:I3C:DATA:VALue "0101101" sets the data value as 0101101.<br><br>TRIGger:A:BUS:B1:I3C:DATA:VALue? might return<br>:TRIGger:A:BUS:B1:I3C:DATA:VALue "0101101", indicating that the data value is 0101101. |

## TRIGger:{A|B}:BUS:B<x>:I3C:ERRORTYPE

This command specifies the error type when triggering on I3C errors. The bus number is specified by x.

|                   |                        |
|-------------------|------------------------|
| <b>Conditions</b> | Requires option SRI3C. |
|-------------------|------------------------|

|                  |                                                                                                                                                                                                                                                                         |
|------------------|-------------------------------------------------------------------------------------------------------------------------------------------------------------------------------------------------------------------------------------------------------------------------|
| <b>Group</b>     | Trigger                                                                                                                                                                                                                                                                 |
| <b>Syntax</b>    | TRIGger:{A B}:BUS:B<x>:I3C:ERRORType {NACK TBIT BADDR}<br>TRIGger:{A B}:BUS:B<x>:I3C:ERRORType?                                                                                                                                                                         |
| <b>Arguments</b> | NACK sets the trigger condition to Missing ACK error . This is the default value.<br>TBIT sets the trigger condition to Slave/Parity Error shown by Transition bit.<br>BADDR sets the trigger condition to BroadCast Error.                                             |
| <b>Examples</b>  | TRIGger:A:BUS:B1:I3C:ERRORType NACK specifies the trigger to happen on NACK error.<br><br>TRIGger:A:BUS:B1:I3C:ERRORType? might return<br>:TRIGger:A:BUS:B1:I3C:ERRORType NACK, indicating that NACK is the currently specified field within a I3C frame to trigger on. |

## TRIGger:{A|B}:BUS:B<x>:I3C:SDR:BROADCASTPacket

This command sets or queries the I3C trigger for SDR broadcast packets. The bus number is specified by x.

|                   |                                                                                                                                                                                                                                                                                                                                                                                                                                                               |
|-------------------|---------------------------------------------------------------------------------------------------------------------------------------------------------------------------------------------------------------------------------------------------------------------------------------------------------------------------------------------------------------------------------------------------------------------------------------------------------------|
| <b>Conditions</b> | Requires option SRI3C.                                                                                                                                                                                                                                                                                                                                                                                                                                        |
| <b>Group</b>      | Trigger                                                                                                                                                                                                                                                                                                                                                                                                                                                       |
| <b>Syntax</b>     | TRIGger:{A B}:BUS:B<x>:I3C:SDR:BROADCASTPacket {ENSLave DISLave ENTAsx RSTDya ENRDya SETMwr SETMrd DLSLave ENRTSTMode EXTime SETAasa ENDXFER SETGRPa RSTACT DEFGRPa RSTGRPa MLANE SETBUSCON}<br>TRIGger:{A B}:BUS:B<x>:I3C:SDR:BROADCASTPacket?                                                                                                                                                                                                               |
| <b>Arguments</b>  | ENSLave sets the trigger condition to Enable Slave. This is the default value.<br>DISLave sets the trigger condition to Disable Slave.<br>ENTAsx sets the trigger condition to Enter Activity State.<br>RSTDya sets the trigger condition to Reset Dynamic Address.<br>ENRDya sets the trigger condition to Enter Dynamic Address.<br>SETMwr sets the trigger condition to Set Max Write Length.<br>SETMrd sets the trigger condition to Set Max Read Length. |

**DLSlave** sets the trigger condition to Define List of Slaves.  
**ENTRTSTMode** sets the trigger condition to Enter Test Mode.  
**EXTime** sets the trigger condition to Set Exchange Time.  
**SETaasa** sets the trigger condition to Set Static As Dynamic Address.  
**ENDXFER** sets the trigger condition to Data Transfer Ending Procedure Control.  
**SETGRPa** sets the trigger condition to Set Group Address.  
**RSTACT** sets the trigger condition to Slave Reset Action.  
**DEFGRPa** sets the trigger condition to Define List of Group Addresses.  
**RSTGRPa** sets the trigger condition to Reset Group Address.  
**MLANE** sets the trigger condition to Multi-Lane Data Transfer Control.  
**SETBUSCON** sets the trigger condition to Set Bus Context.

**Examples** `TRIGger:A:BUS:B1:I3C:SDR:BROADCASTPacket SETMwr1` specifies Set Max Write Length as the field within a I3C frame to trigger on.  
`TRIGger:A:BUS:B1:I3C:SDR:BROADCASTPacket?` might return `:TRIGger:A:BUS:B1:I3C:SDR:BROADCASTPacket SETMwr1`, indicating that Set Max Write Length is the currently specified field within a I3C frame to trigger on.

## TRIGger:{A|B}:BUS:B<x>:I3C:SDR:DIRECTPacket

This command sets or queries the I3C trigger for SDR Direct Packets. The bus number is specified by x.

**Conditions** Requires option SRI3C.

**Group** Trigger

**Syntax** `TRIGger:{A|B}:BUS:B<x>:I3C:SDR:DIRECTPacket {ENSLave|DISLave|ENTAsx|RSTDya|SETMwr1|SETMRd1|SETExt|SETDya|SETNdya|GETMwr1|GETMRd1|GETPrId|GETBusch|GETDevch|GETSlave|ACCM|SETBrt|MDATASpeed|HDRCapability|GETXTime|GETCAPS|ENDXFER|SETGRPa|RSTACT|DEFGRPa|RSTGRPa|MLANE}`  
`TRIGger:{A|B}:BUS:B<x>:I3C:SDR:DIRECTPacket?`

**Arguments** **ENSLave** sets the trigger condition to Enable Slave. This is the default value.  
**DISLave** sets the trigger condition to Disable Slave.

ENTAsx sets the trigger condition to Enter Activity State.

RSTDya sets the trigger condition to Reset Dynamic Address.

SETMwr1 sets the trigger condition to Set Max Write Length.

SETMRd1 sets the trigger condition to Set Max Read Length.

SETExt sets the trigger condition to Set Exchange Time.

SETDya sets the trigger condition to Set Dynamic Address.

SETNdya sets the trigger condition to Set New Dynamic Address.

GETMwr1 sets the trigger condition to Get Max Write Length.

GETMRd1 sets the trigger condition to Get Max Read Length.

GETPrId sets the trigger condition to Get Provisional ID.

GETBUSch sets the trigger condition to Get Bus Characteristics.

GETDevch sets the trigger condition to Get Dev Characteristics.

GETSlave sets the trigger condition to Get Slave Current Status.

ACCM sets the trigger condition to Get Accept Mastership.

SETBrt sets the trigger condition to Set Bridge Direct Target.

MDATASpeed sets the trigger condition to Get Max Data Speed.

HDRCapability sets the trigger condition to Get HDR Capability.

GETXTime sets the trigger condition to Get Exchange Time.

GETCAPS sets the trigger condition to Get Optional Feature Capabilities.

ENDXFER sets the trigger condition to Data Transfer Ending Procedure Control.

SETGRPa sets the trigger condition to Set Group Address.

RSTACT sets the trigger condition to Slave Reset Action.

DEFGRPa sets the trigger condition to Define List of Group Addresses.

RSTGRPa sets the trigger condition to Reset Group Address.

MLANE sets the trigger condition to Multi-Lane Data Transfer Control.

**Examples**

TRIGger:A:BUS:B1:I3C:SDR:DIRECTPacket RSTDya specifies Reset Dynamic Address as the field within a I3C frame to trigger on.

TRIGger:A:BUS:B1:I3C:SDR:DIRECTPacket? might return :TRIGger:A:BUS:B1:I3C:SDR:DIRECTPacket RSTDya, indicating that Reset Dynamic Address is the currently specified field within a I3C frame to trigger on.

## TRIGger:{A|B}:BUS:B<x>:I3C:TBIT:DIREction

This command specifies the I3C trigger for T-Bit error direction when triggering on error type field. The bus number is specified by x.

|                   |                                                                                                                                                                                                                                                                                                                  |
|-------------------|------------------------------------------------------------------------------------------------------------------------------------------------------------------------------------------------------------------------------------------------------------------------------------------------------------------|
| <b>Conditions</b> | Requires option SRI3C.                                                                                                                                                                                                                                                                                           |
| <b>Group</b>      | Trigger                                                                                                                                                                                                                                                                                                          |
| <b>Syntax</b>     | TRIGger:{A B}:BUS:B<x>:I3C:TBIT:DIREction {READ WRITE}<br>TRIGger:{A B}:BUS:B<x>:I3C:TBIT:DIREction?                                                                                                                                                                                                             |
| <b>Arguments</b>  | READ sets the trigger condition to T-bit Parity Error. This is the default value.<br>WRITE sets the trigger condition to T-bit Slave Error.                                                                                                                                                                      |
| <b>Examples</b>   | TRIGger:A:BUS:B1:I3C:TBIT:DIREction READ specifies the trigger to happen on T-bit Parity Error.<br><br>TRIGger:A:BUS:B1:I3C:TBIT:DIREction? might return<br>:TRIGger:A:BUS:B1:I3C:TBIT:DIREction READ, indicating that T-bit Parity error is the currently selected error type within a I3C frame to trigger on. |

## TRIGger:{A|B}:BUS:B<x>:LIN:CONDition

This command specifies the trigger condition for LIN. The bus number is specified by x.

|                   |                                                                                                                                               |
|-------------------|-----------------------------------------------------------------------------------------------------------------------------------------------|
| <b>Conditions</b> | Requires option 5-SRAUTO or SUP5-SRAUTO Triggering and Analysis application.                                                                  |
| <b>Group</b>      | Trigger                                                                                                                                       |
| <b>Syntax</b>     | TRIGger:{A B}:BUS:B<x>:LIN:CONDition<br>{SYNCFIELD IDENTIFIER DATA IDANDDATA WAKEUP SLEEP ERROR}<br><br>TRIGger:{A B}:BUS:B<x>:LIN:CONDition? |
| <b>Arguments</b>  | SYNCFIELD sets the LIN trigger condition to sync field.<br>IDENTIFIER sets the LIN trigger condition to identifier.                           |

DATA sets the LIN trigger condition to data.

IDANDDATA sets the LIN trigger condition to id and data.

WAKEup sets the LIN trigger condition to wake up.

SLEEP sets the LIN trigger condition to sleep.

ERROR sets the LIN trigger condition to error.

**Examples** TRIGGER:A:BUS:B1:LIN:CONDITION ERROR sets the LIN trigger condition to error.

TRIGGER:A:BUS:B1:LIN:CONDITION? might return  
TRIGGER:A:BUS:B1:LIN:CONDITION SYNCFIELD indicating the LIN trigger condition is sync field.

## TRIGger:{A|B}:BUS:B<x>:LIN:DATA:HIVALue

This command specifies the high data value string used for a LIN bus trigger when the trigger condition is DATA or IDANDDATA and the data qualifier is INRANGE or OTRANGE. The bus number is specified by x.

**Conditions** Requires option 5-SRAUTO or SUP5-SRAUTO Triggering and Analysis application.

**Group** Trigger

**Syntax** TRIGger:{A|B}:BUS:B<x>:LIN:DATA:HIVALue <QString>  
TRIGger:{A|B}:BUS:B<x>:LIN:DATA:HIVALue?

**Arguments** <QString> is a quoted string that is the binary data string used for LIN trigger if the trigger condition is ID or IDANDDATA.

**Examples** TRIGGER:A:BUS:B1:LIN:DATA:HIVALUE "11001010" sets the high value to 11001010.

TRIGGER:A:BUS:B1:LIN:DATA:HIVALUE? might return  
TRIGGER:A:BUS:B1:LIN:DATA:HIVALUE "XXXXXXXX" indicating the high value is don't care.



**TRIGger:{A|B}:BUS:B<x>:LIN:DATA:QUALifier**

This command specifies the LIN data qualifier. This only applies if the trigger condition is IDANDDATA or DATA. The bus number is specified by x.

|                   |                                                                                                                                                                                                                                                                                                                                                                                                                                                                                                    |
|-------------------|----------------------------------------------------------------------------------------------------------------------------------------------------------------------------------------------------------------------------------------------------------------------------------------------------------------------------------------------------------------------------------------------------------------------------------------------------------------------------------------------------|
| <b>Conditions</b> | Requires option 5-SRAUTO or SUP5-SRAUTO Triggering and Analysis application.                                                                                                                                                                                                                                                                                                                                                                                                                       |
| <b>Group</b>      | Trigger                                                                                                                                                                                                                                                                                                                                                                                                                                                                                            |
| <b>Syntax</b>     | <pre>TRIGger:{A B}:BUS:B&lt;x&gt;:LIN:DATA:QUALifier {LESSthan MOREthan EQUAL UNEQUAL LESSEQUAL MOREEQUAL  INrange OUTrange}  TRIGger:{A B}:BUS:B&lt;x&gt;:LIN:DATA:QUALifier?</pre>                                                                                                                                                                                                                                                                                                               |
| <b>Arguments</b>  | <p>LESSthan sets the LIN data qualifier to less than.</p> <p>MOREthan sets the LIN data qualifier to greater than.</p> <p>EQUAL sets the LIN data qualifier to equal.</p> <p>UNEQUAL sets the LIN data qualifier to not equal.</p> <p>LESSEQUAL sets the LIN data qualifier to less than or equal.</p> <p>MOREEQUAL sets the LIN data qualifier to greater than or equal.</p> <p>INrange sets the LIN data qualifier to in range.</p> <p>OUTrange sets the LIN data qualifier to out of range.</p> |
| <b>Examples</b>   | <pre>TRIGGER:A:BUS:B1:LIN:DATA:QUALIFIER OUTRANGE sets the data qualifier to out of range.  TRIGGER:A:BUS:B1:LIN:DATA:QUALIFIER? might return TRIGGER:A:BUS:B1:LIN:DATA:QUALIFIER EQUAL indicating the data qualifier is set to equal.</pre>                                                                                                                                                                                                                                                       |

**TRIGger:{A|B}:BUS:B<x>:LIN:DATA:SIZE**

This command specifies the length of the data string in bytes to be used for LIN trigger. The bus number is specified by x.

|                   |                                                                              |
|-------------------|------------------------------------------------------------------------------|
| <b>Conditions</b> | Requires option 5-SRAUTO or SUP5-SRAUTO Triggering and Analysis application. |
|-------------------|------------------------------------------------------------------------------|

|                  |                                                                                                                                                                                         |
|------------------|-----------------------------------------------------------------------------------------------------------------------------------------------------------------------------------------|
| <b>Group</b>     | Trigger                                                                                                                                                                                 |
| <b>Syntax</b>    | TRIGger:{A B}:BUS:B<x>:LIN:DATA:SIZE <NR1><br>TRIGger:{A B}:BUS:B<x>:LIN:DATA:SIZE?                                                                                                     |
| <b>Arguments</b> | <NR1> is the size of the data string in bytes.                                                                                                                                          |
| <b>Examples</b>  | TRIGGER:A:BUS:B1:LIN:DATA:SIZE 8 sets the data size to 8 bytes.<br>TRIGGER:A:BUS:B1:LIN:DATA:SIZE? might return<br>TRIGGER:A:BUS:B1:LIN:DATA:SIZE 1 indicating the data size is 1 byte. |

## TRIGger:{A|B}:BUS:B<x>:LIN:DATA:VALue

This command specifies the binary data string to be used for LIN trigger condition if trigger condition is ID or IDANDDATA. The bus number is specified by x.

|                   |                                                                                                                                                                                                                     |
|-------------------|---------------------------------------------------------------------------------------------------------------------------------------------------------------------------------------------------------------------|
| <b>Conditions</b> | Requires option 5-SRAUTO or SUP5-SRAUTO Triggering and Analysis application.                                                                                                                                        |
| <b>Group</b>      | Trigger                                                                                                                                                                                                             |
| <b>Syntax</b>     | TRIGger:{A B}:BUS:B<x>:LIN:DATA:VALue <QString><br>TRIGger:{A B}:BUS:B<x>:LIN:DATA:VALue?                                                                                                                           |
| <b>Arguments</b>  | <QString> is a quoted string that is the LIN trigger data value.                                                                                                                                                    |
| <b>Examples</b>   | TRIGGER:A:BUS:B1:LIN:DATA:VALUE "11001101" sets the data value to 11001101.<br>TRIGGER:A:BUS:B1:LIN:DATA:VALUE? might return<br>TRIGGER:A:BUS:B1:LIN:DATA:VALUE "XXXXXXXX" indicating the data value is don't care. |

## TRIGger:{A|B}:BUS:B<x>:LIN:ERRTYPE

This command specifies the error type be used for LIN trigger. The bus number is specified by x.

|                   |                                                                                                                                                                                                          |
|-------------------|----------------------------------------------------------------------------------------------------------------------------------------------------------------------------------------------------------|
| <b>Conditions</b> | Requires option 5-SRAUTO or SUP5-SRAUTO Triggering and Analysis application.                                                                                                                             |
| <b>Group</b>      | Trigger                                                                                                                                                                                                  |
| <b>Syntax</b>     | TRIGger:{A B}:BUS:B<x>:LIN:ERRTYPE {SYNC PARity Checksum}<br>TRIGger:{A B}:BUS:B<x>:LIN:ERRTYPE?                                                                                                         |
| <b>Arguments</b>  | SYNC sets the LIN error type to SYNC.<br>PARity sets the LIN error type to parity.<br>Checksum sets the LIN error type to checksum.                                                                      |
| <b>Examples</b>   | TRIGGER:A:BUS:B1:LIN:ERRTYPE CHECKSUM sets the LIN error type to checksum.<br><br>TRIGGER:A:BUS:B1:LIN:ERRTYPE? might return<br>TRIGGER:A:BUS:B1:LIN:ERRTYPE SYNC indicating the LIN error type is SYNC. |

## TRIGger:{A|B}:BUS:B<x>:LIN:IDentifier:VALue

This command specifies the binary address string used for LIN bus trigger if the trigger condition is ID or IDANDDATA. The bus number is specified by x.

|                   |                                                                                                          |
|-------------------|----------------------------------------------------------------------------------------------------------|
| <b>Conditions</b> | Requires option 5-SRAUTO or SUP5-SRAUTO Triggering and Analysis application.                             |
| <b>Group</b>      | Trigger                                                                                                  |
| <b>Syntax</b>     | TRIGger:{A B}:BUS:B<x>:LIN:IDentifier:VALue <QString><br>TRIGger:{A B}:BUS:B<x>:LIN:IDentifier:VALue?    |
| <b>Arguments</b>  | <QString> is the binary address string used for LIN trigger if the trigger condition is ID or IDANDDATA. |
| <b>Examples</b>   | TRIGGER:A:BUS:B1:LIN:IDENTIFIER:VALUE "110010" sets the identifier value to 110010.                      |

TRIGGER:A:BUS:B1:LIN:IDENTIFIER:VALUE? might return  
TRIGGER:A:BUS:B1:LIN:IDENTIFIER:VALUE "XXXXXX" indicating the  
identifier value is XXXXXX.

## TRIGger:{A|B}:BUS:B<x>:MIL1553B:COMMAND:ADDRESS:HIVALue

This command sets or queries the high value when triggering on command word addresses for a MIL-STD-1553 bus. The bus number is specified by x. The trigger condition must be set to COMMAND, and the address qualifier must be INrange or OUTrange.

**Conditions** Requires option 5-SRAERO or SUP5-SRAERO Triggering and Analysis application

**Group** Trigger

**Syntax** TRIGger:{A|B}:BUS:B<x>:MIL1553B:COMMAND:ADDRESS:HIVALue  
<QString>  
TRIGger:{A|B}:BUS:B<x>:MIL1553B:COMMAND:ADDRESS:HIVALue?

**Arguments** <QString> is the address value.

**Examples** TRIGGER:A:BUS:B1:MIL1553B:COMMAND:ADDRESS:HIVALUE "X1000"  
sets the value to X1000.

TRIGGER:A:BUS:B1:MIL1553B:COMMAND:ADDRESS:HIVALUE? might return  
"XXXXXX", indicating that the value is XXXXXX.

## TRIGger:{A|B}:BUS:B<x>:MIL1553B:COMMAND:ADDRESS:QUALifier

This command sets or queries the qualifier to be used when triggering on command word addresses for a MIL-STD-1553 bus. The bus number is specified by x. The trigger condition must be set to COMMAND.

**Conditions** Requires option 5-SRAERO or SUP5-SRAERO Triggering and Analysis application.

**Group** Trigger

|                  |                                                                                                                                                                                                                                                                                                                                                                                                                                            |
|------------------|--------------------------------------------------------------------------------------------------------------------------------------------------------------------------------------------------------------------------------------------------------------------------------------------------------------------------------------------------------------------------------------------------------------------------------------------|
| <b>Syntax</b>    | <pre>TRIGger:{A B}:BUS:B&lt;x&gt;:MIL1553B:COMMAND:ADDRESS: QUALifier {Equal UNEQual LESSthan MOREthan  LESSEQual MOREEQual INrange OUTrange} TRIGger:{A B}:BUS:B&lt;x&gt;:MIL1553B:COMMAND:ADDRESS:QUALifier?</pre>                                                                                                                                                                                                                       |
| <b>Arguments</b> | <p>EQual sets the data qualifier to equal.</p> <p>UNEQual sets the data qualifier to unequal.</p> <p>LESSthan sets the data qualifier to less than.</p> <p>MOREthan sets the data qualifier to more than.</p> <p>LESSEQual sets the data qualifier to less equal.</p> <p>MOREEQual sets the data qualifier to more equal.</p> <p>INrange sets the data qualifier to in range.</p> <p>OUTrange sets the data qualifier to out of range.</p> |
| <b>Examples</b>  | <pre>TRIGGER:A:BUS:B1:MIL1553B:COMMAND:ADDRESS:QUALIFIER LESSTHAN</pre> <p>sets the address qualifier to less than.</p> <pre>TRIGGER:A:BUS:B1:MIL1553B:COMMAND:ADDRESS:QUALIFIER?</pre> <p>might return EQUAL, indicating that the address qualifier is set to equal.</p>                                                                                                                                                                  |

## TRIGger:{A|B}:BUS:B<x>:MIL1553B:COMMAND:ADDRESS:VALue

This command sets or queries the low value when triggering on command word addresses for a MIL-STD-1553 bus. The bus number is specified by x. The trigger condition must be set to COMMAND

|                   |                                                                                                                                                     |
|-------------------|-----------------------------------------------------------------------------------------------------------------------------------------------------|
| <b>Conditions</b> | Requires option 5-SRAERO or SUP5-SRAERO Triggering and Analysis application.                                                                        |
| <b>Group</b>      | Trigger                                                                                                                                             |
| <b>Syntax</b>     | <pre>TRIGger:{A B}:BUS:B&lt;x&gt;:MIL1553B:COMMAND:ADDRESS:VALue &lt;QString&gt; TRIGger:{A B}:BUS:B&lt;x&gt;:MIL1553B:COMMAND:ADDRESS:VALue?</pre> |
| <b>Arguments</b>  | <QString> is the address value.                                                                                                                     |

**Examples** TRIGGER:A:BUS:B1:MIL1553B:COMMAND:ADDRESS:VALUE "X1000" sets the value to X1000.

TRIGGER:A:BUS:B1:MIL1553B:COMMAND:ADDRESS:VALUE? might return "XXXXX", indicating that the value is XXXXX.

## TRIGger:{A|B}:BUS:B<x>:MIL1553B:COMMAND:COUNT

This command sets or queries the value of the command word "word count" field for a MIL-STD-1553 bus to triggering on. The bus number is specified by x. The trigger condition must be set to COMMAND.

**Conditions** Requires option 5-SRAERO or SUP5-SRAERO Triggering and Analysis application.

**Group** Trigger

**Syntax** TRIGger:{A|B}:BUS:B<x>:MIL1553B:COMMAND:COUNT <QString>  
TRIGger:{A|B}:BUS:B<x>:MIL1553B:COMMAND:COUNT?

**Arguments** <QString> is the word count value.

**Examples** TRIGGER:A:BUS:B1:MIL1553B:COMMAND:COUNT "X1000" sets the value to X1000.

TRIGGER:A:BUS:B1:MIL1553B:COMMAND:COUNT? might return "XXXXX", indicating that the value is XXXXX.

## TRIGger:{A|B}:BUS:B<x>:MIL1553B:COMMAND:PARity

This command sets or queries the value of the command word parity bit for a MIL-STD-1553 bus to triggering on. The bus number is specified by x. The trigger condition must be set to COMMAND.

**Conditions** Requires option 5-SRAERO or SUP5-SRAERO Triggering and Analysis application.

**Group** Trigger

|                  |                                                                                                                                                                                                                                                                                                  |
|------------------|--------------------------------------------------------------------------------------------------------------------------------------------------------------------------------------------------------------------------------------------------------------------------------------------------|
| <b>Syntax</b>    | <pre>TRIGger:{A B}:BUS:B&lt;x&gt;:MIL1553B:COMMAND:PARity {ONE ZERO NOCARE} TRIGger:{A B}:BUS:B&lt;x&gt;:MIL1553B:COMMAND:PARity?</pre>                                                                                                                                                          |
| <b>Arguments</b> | <p>ONE filters command words to only match those where the parity bit has a value of 1.</p> <p>ZERO filters command words to only match those where the parity bit has a value of 0.</p> <p>NOCARE disables filtering of command words on the parity bit.</p>                                    |
| <b>Examples</b>  | <p>TRIGGER:A:BUS:B1:MIL1553B:COMMAND:PARITY ONE specifies filtering command words for those where the parity bit has a value of 1.</p> <p>TRIGGER:A:BUS:B1:MIL1553B:COMMAND:PARITY? might return NOCARE, indicating that command words are not being filtered based on the parity bit value.</p> |

## TRIGger:{A|B}:BUS:B<x>:MIL1553B:COMMAND:SUBADdress

This command sets or queries the value of the command word subaddress field for a MIL-STD-1553 bus to triggering on. The bus number is specified by x. The trigger condition must be set to COMMAND.

|                   |                                                                                                                                                                                                     |
|-------------------|-----------------------------------------------------------------------------------------------------------------------------------------------------------------------------------------------------|
| <b>Conditions</b> | Requires option 5-SRAERO or SUP5-SRAERO Triggering and Analysis application.                                                                                                                        |
| <b>Group</b>      | Trigger                                                                                                                                                                                             |
| <b>Syntax</b>     | <pre>TRIGger:{A B}:BUS:B&lt;x&gt;:MIL1553B:COMMAND:SUBADdress &lt;QString&gt; TRIGger:{A B}:BUS:B&lt;x&gt;:MIL1553B:COMMAND:SUBADdress?</pre>                                                       |
| <b>Arguments</b>  | <QString> is the subaddress value.                                                                                                                                                                  |
| <b>Examples</b>   | <p>TRIGGER:A:BUS:B1:MIL1553B:COMMAND:SUBADDRESS "X1000" sets the value to X1000.</p> <p>TRIGGER:A:BUS:B1:MIL1553B:COMMAND:SUBADDRESS? might return "XXXXX", indicating that the value is XXXXX.</p> |

## TRIGger:{A|B}:BUS:B<x>:MIL1553B:COMMAND:TRBit

This command sets or queries the value of the command word Transmit / Receive bit for a MIL-STD-1553 bus to trigger on. The bus number is specified by x. The trigger condition must be set to COMMAND.

**Conditions** Requires option 5-SRAERO or SUP5-SRAERO Triggering and Analysis application.

**Group** Trigger

**Syntax** TRIGger:{A|B}:BUS:B<x>:MIL1553B:COMMAND:TRBit {RX|TX|X}  
TRIGger:{A|B}:BUS:B<x>:MIL1553B:COMMAND:TRBit?

**Arguments** RX filters command words to only match those that are receive packets.  
TX filters command words to only match those that are transmit packets.  
X disables filtering of command words on the R/T bit.

**Examples** TRIGGER:A:BUS:B1:MIL1553B:COMMAND:TRBIT TX specifies filtering command words for only transmit messages.  
TRIGGER:A:BUS:B1:MIL1553B:COMMAND:TRBIT? might return X, indicating that command words are not being filtered based on the R/T bit value.

## TRIGger:{A|B}:BUS:B<x>:MIL1553B:CONDition

This command sets or queries the field or condition for a MIL-STD-1553 bus to trigger on. The bus number is specified by x.

**Conditions** Requires option 5-SRAERO or SUP5-SRAERO Triggering and Analysis application.

**Group** Trigger

**Syntax** TRIGger:{A|B}:BUS:B<x>:MIL1553B:CONDition  
{SYNC|COMMAND|STATUS|DATA |TIME|ERROR}  
TRIGger:{A|B}:BUS:B<x>:MIL1553B:CONDition?



**Arguments** SYNC specifies triggering on the sync pulse of any word.  
 COMMAND specifies triggering on a matching command word.  
 STATUs specifies triggering on a matching status word.  
 DATA specifies triggering on a matching data word.  
 TIME specifies triggering on the response time or intermessage gap between words.  
 ERRor specifies triggering on a specified error condition.

**Examples** TRIGGER:A:BUS:B1:MIL1553B:CONDITION DATA specifies finding matching data word(s).  
 TRIGGER:A:BUS:B1:MIL1553B:CONDITION? might return SYNC, indicating that the bus is triggering on sync pulses found in any word.

## TRIGger:{A|B}:BUS:B<x>:MIL1553B:DATA:PARity

This command sets or queries the value of the command word parity bit for a MIL-STD-1553 bus to triggering on. The bus number is specified by x. The trigger condition must be set to DATA.

**Conditions** Requires option 5-SRAERO or SUP5-SRAERO Triggering and Analysis application.

**Group** Trigger

**Syntax** TRIGger:{A|B}:BUS:B<x>:MIL1553B:DATA:PARity  
 {ONE|ZERO|NOCARE}  
 TRIGger:{A|B}:BUS:B<x>:MIL1553B:DATA:PARity?

**Arguments** ONE filters data words to only match those where the parity bit has a value of 1.  
 ZERO filters data words to only match those where the parity bit has a value of 0.  
 NOCARE disables filtering of data words on the parity bit.

**Examples** TRIGGER:A:BUS:B1:MIL1553B:DATA:PARITY ONE specifies filtering data words for those where the parity bit has the value 1.  
 TRIGGER:A:BUS:B1:MIL1553B:DATA:PARITY? might return NOCARE, indicating that data words are not being filtered based on the parity bit value.

## TRIGger:{A|B}:BUS:B<x>:MIL1553B:DATA:VALue

This command sets or queries the value when triggering on data words for a MIL-STD-1553 bus. The bus number is specified by x. The trigger condition must be set to DATA.

|                   |                                                                                                                                                                                                                                     |
|-------------------|-------------------------------------------------------------------------------------------------------------------------------------------------------------------------------------------------------------------------------------|
| <b>Conditions</b> | Requires option 5-SRAERO or SUP5-SRAERO Triggering and Analysis application.                                                                                                                                                        |
| <b>Group</b>      | Trigger                                                                                                                                                                                                                             |
| <b>Syntax</b>     | TRIGger:{A B}:BUS:B<x>:MIL1553B:DATA:VALue <QString><br>TRIGger:{A B}:BUS:B<x>:MIL1553B:DATA:VALue?                                                                                                                                 |
| <b>Arguments</b>  | <QString> is the data value.                                                                                                                                                                                                        |
| <b>Examples</b>   | TRIGGER:A:BUS:B1:MIL1553B:DATA:VALUE "XXXXXXXXXXXX1000" sets the value to XXXXXXXXXXXXXXX1000.<br><br>TRIGGER:A:BUS:B1:MIL1553B:DATA:VALUE? might return "XXXXXXXXXXXXXXXXXXXX", indicating that the value is XXXXXXXXXXXXXXXXXXXX. |

## TRIGger:{A|B}:BUS:B<x>:MIL1553B:ERRTYPe

This command sets or queries the type of error condition for a MIL-STD-1553 bus to trigger on. The bus number is specified by x. The trigger condition must be set to ERRor.

|                   |                                                                                                                                                                                                      |
|-------------------|------------------------------------------------------------------------------------------------------------------------------------------------------------------------------------------------------|
| <b>Conditions</b> | Requires option 5-SRAERO or SUP5-SRAERO Triggering and Analysis application.                                                                                                                         |
| <b>Group</b>      | Trigger                                                                                                                                                                                              |
| <b>Syntax</b>     | TRIGger:{A B}:BUS:B<x>:MIL1553B:ERRTYPe {PARity SYNC DATA}<br>TRIGger:{A B}:BUS:B<x>:MIL1553B:ERRTYPe?                                                                                               |
| <b>Arguments</b>  | PARity specifies triggering on an incorrectly calculated parity bit in any word.<br><br>SYNC specifies triggering on any sync pulse that does not transition in the middle of the pulse as required. |

DATA specifies triggering on any non-contiguous data words.

- Examples** TRIGGER:A:BUS:B1:MIL1553B:ERRTYPE DATA specifies triggering on non-contiguous data words.
- TRIGGER:A:BUS:B1:MIL1553B:ERRTYPE? might return PARITY, indicating that the bus is triggering on parity errors in any word.

## TRIGger:{A|B}:BUS:B<x>:MIL1553B:STATus:ADDRess:HIVALue

This command sets or queries the high value when triggering on status word addresses for a MIL-STD-1553 bus. The bus number is specified by x. The trigger condition must be set to STATUS and the address qualifier must be INrange or OUTrange.

- Conditions** Requires option 5-SRAERO or SUP5-SRAERO Triggering and Analysis application.
- Group** Trigger
- Syntax** TRIGger:{A|B}:BUS:B<x>:MIL1553B:STATus:ADDRess:HIVALue <QString>  
TRIGger:{A|B}:BUS:B<x>:MIL1553B:STATus:ADDRess:HIVALue?
- Arguments** <QString> is the address value.
- Examples** TRIGGER:A:BUS:B1:MIL1553B:STATUS:ADDRESS:HIVALUE "X1000" sets the value to X1000.
- TRIGGER:A:BUS:B1:MIL1553B:STATUS:ADDRESS:HIVALUE? might return "XXXXXX", indicating that the value is XXXXXX.

## TRIGger:{A|B}:BUS:B<x>:MIL1553B:STATus:ADDRess:QUALifier

This command sets or queries the qualifier to be used when triggering on status word addresses for a MIL-STD-1553 bus. The bus number is specified by x. The trigger condition must be set to STATUS.

- Conditions** Requires option 5-SRAERO or SUP5-SRAERO Triggering and Analysis application.

|                  |                                                                                                                                                                                                                                                                                                                                                                                                                                        |
|------------------|----------------------------------------------------------------------------------------------------------------------------------------------------------------------------------------------------------------------------------------------------------------------------------------------------------------------------------------------------------------------------------------------------------------------------------------|
| <b>Group</b>     | Trigger                                                                                                                                                                                                                                                                                                                                                                                                                                |
| <b>Syntax</b>    | <pre>TRIGger:{A B}:BUS:B&lt;x&gt;:MIL1553B:STATus: ADDRESS:QUALifier {EQua UNEQua LESSthan  MOREthan LESSEQua MOREEQua INrange OUTrange} TRIGger:{A B}:BUS:B&lt;x&gt;:MIL1553B:STATus:ADDRESS:QUALifier?</pre>                                                                                                                                                                                                                         |
| <b>Arguments</b> | <p>EQua sets the data qualifier to equal.</p> <p>UNEQua sets the data qualifier to unequal.</p> <p>LESSthan sets the data qualifier to less than.</p> <p>MOREthan sets the data qualifier to more than.</p> <p>LESSEQua sets the data qualifier to less equal.</p> <p>MOREEQua sets the data qualifier to more equal.</p> <p>INrange sets the data qualifier to in range.</p> <p>OUTrange sets the data qualifier to out of range.</p> |
| <b>Examples</b>  | <p>TRIGGER:A:BUS:B1:MIL1553B:STATUS:ADDRESS:QUALIFIER LESSTHAN sets the address qualifier to less than.</p> <p>TRIGGER:A:BUS:B1:MIL1553B:STATUS:ADDRESS:QUALIFIER? might return EQUAL, indicating that the address qualifier is set to equal.</p>                                                                                                                                                                                      |

## TRIGger:{A|B}:BUS:B<x>:MIL1553B:STATus:ADDRes:VALue

This command sets or queries the low value when triggering on status word addresses for a MIL-STD-1553 bus. The bus number is specified by x. The trigger condition must be set to STATUS.

|                   |                                                                                                                                                 |
|-------------------|-------------------------------------------------------------------------------------------------------------------------------------------------|
| <b>Conditions</b> | Requires option 5-SRAERO or SUP5-SRAERO Triggering and Analysis application.                                                                    |
| <b>Group</b>      | Trigger                                                                                                                                         |
| <b>Syntax</b>     | <pre>TRIGger:{A B}:BUS:B&lt;x&gt;:MIL1553B:STATus:ADDRes:VALue &lt;QString&gt; TRIGger:{A B}:BUS:B&lt;x&gt;:MIL1553B:STATus:ADDRes:VALue?</pre> |
| <b>Arguments</b>  | <QString> is the address value.                                                                                                                 |

**Examples** TRIGGER:A:BUS:B1:MIL1553B:STATUS:ADDRESS:VALUE "X1000" sets the value to X1000.

TRIGGER:A:BUS:B1:MIL1553B:STATUS:ADDRESS:VALUE? might return "XXXXX", indicating that the value is XXXXX.

## TRIGger:{A|B}:BUS:B<x>:MIL1553B:STATus:BIT:BCR

This command sets or queries the value of the broadcast command received bit (BCR bit, bit 15) in a status word for a MIL-STD-1553 bus to triggering on. The bus number is specified by x. The trigger condition must be set to STATUS.

**Conditions** Requires option 5-SRAERO or SUP5-SRAERO Triggering and Analysis application.

**Group** Trigger

**Syntax** TRIGger:{A|B}:BUS:B<x>:MIL1553B:STATus:BIT:BCR  
{ONE|ZERO|NOCARE}  
TRIGger:{A|B}:BUS:B<x>:MIL1553B:STATus:BIT:BCR?

**Arguments** ONE filters status words to only match those where the BCR bit has a value of 1.  
ZERO filters status words to only match those where the BCR bit has a value of 0.  
NOCARE disables filtering of status words on the BCR bit.

**Examples** TRIGGER:A:BUS:B1:MIL1553B:STATUS:BIT:BCR ONE specifies filtering status words for those where the BCR bit has a value of 1.

TRIGGER:A:BUS:B1:MIL1553B:STATUS:BIT:BCR? might return NOCARE, indicating that status words are not being filtered based on the BCR bit value.

## TRIGger:{A|B}:BUS:B<x>:MIL1553B:STATus:BIT:BUSY

This command sets or queries the value of the busy bit (BUSY bit, bit 16) in a status word for a MIL-STD-1553 bus to triggering on. The bus number is specified by x. The trigger condition must be set to STATUS.

**Conditions** Requires option 5-SRAERO or SUP5-SRAERO Triggering and Analysis application.

|                  |                                                                                                                                                                                                                                                                                              |
|------------------|----------------------------------------------------------------------------------------------------------------------------------------------------------------------------------------------------------------------------------------------------------------------------------------------|
| <b>Group</b>     | Trigger                                                                                                                                                                                                                                                                                      |
| <b>Syntax</b>    | <pre>TRIGger:{A B}:BUS:B&lt;x&gt;:MIL1553B:STATUS:BIT:BUSY {ONE ZERO NOCARE} TRIGger:{A B}:BUS:B&lt;x&gt;:MIL1553B:STATUS:BIT:BUSY?</pre>                                                                                                                                                    |
| <b>Arguments</b> | <p>ONE filters status words to only match those where the BUSY bit has a value of 1.</p> <p>ZERO filters status words to only match those where the BUSY bit has a value of 0.</p> <p>NOCARE disables filtering of status words on the BUSY bit.</p>                                         |
| <b>Examples</b>  | <p>TRIGGER:A:BUS:B1:MIL1553B:STATUS:BIT:BUSY ONE specifies filtering status words for those where the BUSY bit has a value of 1.</p> <p>TRIGGER:A:BUS:B1:MIL1553B:STATUS:BIT:BUSY? might return NOCARE, indicating that status words are not being filtered based on the BUSY bit value.</p> |

## TRIGger:{A|B}:BUS:B<x>:MIL1553B:STATUS:BIT:DBCA

This command sets or queries the value of the dynamic bus control acceptance bit (DBCA bit, bit 18) in a status word for a MIL-STD-1553 bus to triggering on. The bus number is specified by x. The trigger condition must be set to STATUS.

|                   |                                                                                                                                                                                                                                                      |
|-------------------|------------------------------------------------------------------------------------------------------------------------------------------------------------------------------------------------------------------------------------------------------|
| <b>Conditions</b> | Requires option 5-SRAERO or SUP5-SRAERO Triggering and Analysis application.                                                                                                                                                                         |
| <b>Group</b>      | Trigger                                                                                                                                                                                                                                              |
| <b>Syntax</b>     | <pre>TRIGger:{A B}:BUS:B&lt;x&gt;:MIL1553B:STATUS:BIT:DBCA {ONE ZERO NOCARE} TRIGger:{A B}:BUS:B&lt;x&gt;:MIL1553B:STATUS:BIT:DBCA?</pre>                                                                                                            |
| <b>Arguments</b>  | <p>ONE filters status words to only match those where the DBCA bit has a value of 1.</p> <p>ZERO filters status words to only match those where the DBCA bit has a value of 0.</p> <p>NOCARE disables filtering of status words on the DBCA bit.</p> |
| <b>Examples</b>   | <p>TRIGGER:A:BUS:B1:MIL1553B:STATUS:BIT:DBCA ONE specifies filtering status words for those where the DBCA bit has a value of 1.</p>                                                                                                                 |

TRIGGER:A:BUS:B1:MIL1553B:STATUS:BIT:DBCA? might return NOCARE, indicating that status words are not being filtered based on the DBCA bit value.

## TRIGger:{A|B}:BUS:B<x>:MIL1553B:STATus:BIT:INSTR

This command sets or queries the value of the instrumentation bit (INSTR bit, bit 10) in a status word for a MIL-STD-1553 bus to triggering on. The bus number is specified by x. The trigger condition must be set to STATUS.

|                   |                                                                                                                                                                                                                                                                                           |
|-------------------|-------------------------------------------------------------------------------------------------------------------------------------------------------------------------------------------------------------------------------------------------------------------------------------------|
| <b>Conditions</b> | Requires option 5-SRAERO or SUP5-SRAERO Triggering and Analysis application.                                                                                                                                                                                                              |
| <b>Group</b>      | Trigger                                                                                                                                                                                                                                                                                   |
| <b>Syntax</b>     | TRIGger:{A B}:BUS:B<x>:MIL1553B:STATus:BIT:INSTR<br>{ONE ZERO NOCARE}<br>TRIGger:{A B}:BUS:B<x>:MIL1553B:STATus:BIT:INSTR?                                                                                                                                                                |
| <b>Arguments</b>  | ONE filters status words to only match those where the INSTR bit has a value of 1.<br>ZERO filters status words to only match those where the INSTR bit has a value of 0.<br>NOCARE disables filtering of status words on the INSTR bit.                                                  |
| <b>Examples</b>   | TRIGGER:A:BUS:B1:MIL1553B:STATUS:BIT:INSTR ONE specifies filtering status words for those where the INSTR bit has a value of 1.<br><br>TRIGGER:A:BUS:B1:MIL1553B:STATUS:BIT:INSTR? might return NOCARE, indicating that status words are not being filtered based on the INSTR bit value. |

## TRIGger:{A|B}:BUS:B<x>:MIL1553B:STATus:BIT:ME

This command sets or queries the value of the message error bit (ME bit, bit 9) in a status word for a MIL-STD-1553 bus to triggering on. The bus number is specified by x. The trigger condition must be set to STATUS.

|                   |                                                                              |
|-------------------|------------------------------------------------------------------------------|
| <b>Conditions</b> | Requires option 5-SRAERO or SUP5-SRAERO Triggering and Analysis application. |
| <b>Group</b>      | Trigger                                                                      |

**Syntax** TRIGger:{A|B}:BUS:B<x>:MIL1553B:STATUS:BIT:ME  
 {ONE|ZERO|NOCARE}  
 TRIGger:{A|B}:BUS:B<x>:MIL1553B:STATUS:BIT:ME?

**Arguments** ONE filters status words to only match those where the ME bit has a value of 1.  
 ZERO filters status words to only match those where the ME bit has a value of 0.  
 NOCARE disables filtering of status words on the ME bit.

**Examples** TRIGGER:A:BUS:B1:MIL1553B:STATUS:BIT:ME ONE specifies filtering status words for those where the ME bit has a value of 1.  
 TRIGGER:A:BUS:B1:MIL1553B:STATUS:BIT:ME? might return NOCARE, indicating that status words are not being filtered based on the ME bit value.

## TRIGger:{A|B}:BUS:B<x>:MIL1553B:STATUS:BIT:SRQ

This command sets or queries the value of the status word service request bit (SRQ bit, bit 11) in a status word for a MIL-STD-1553 bus to triggering on. The bus number is specified by x. The trigger condition must be set to STATUS.

**Conditions** Requires option 5-SRAERO or SUP5-SRAERO Triggering and Analysis application.

**Group** Trigger

**Syntax** TRIGger:{A|B}:BUS:B<x>:MIL1553B:STATUS:BIT:SRQ  
 {ONE|ZERO|NOCARE}  
 TRIGger:{A|B}:BUS:B<x>:MIL1553B:STATUS:BIT:SRQ?

**Arguments** ONE filters status words to only match those where the SRQ bit has a value of 1.  
 ZERO filters status words to only match those where the SRQ bit has a value of 0.  
 NOCARE disables filtering of status words on the SRQ bit.

**Examples** TRIGGER:A:BUS:B1:MIL1553B:STATUS:BIT:SRQ ONE specifies filtering status words for those where the SRQ bit has a value of 1.  
 TRIGGER:A:BUS:B1:MIL1553B:STATUS:BIT:SRQ? might return NOCARE, indicating that status words are not being filtered based on the SRQ bit value.



**TRIGger:{A|B}:BUS:B<x>:MIL1553B:STATus:BIT:SUBSF**

This command sets or queries the value of the subsystem flag bit (SUBSF bit, bit 17) in a status word for a MIL-STD-1553 bus to triggering on. The bus number is specified by x. The trigger condition must be set to STATus.

|                   |                                                                                                                                                                                                                                                                                       |
|-------------------|---------------------------------------------------------------------------------------------------------------------------------------------------------------------------------------------------------------------------------------------------------------------------------------|
| <b>Conditions</b> | Requires option 5-SRAERO or SUP5-SRAERO Triggering and Analysis application.                                                                                                                                                                                                          |
| <b>Group</b>      | Trigger                                                                                                                                                                                                                                                                               |
| <b>Syntax</b>     | TRIGger:{A B}:BUS:B<x>:MIL1553B:STATus:BIT:SUBSF<br>{ONE ZERO NOCARE}<br>TRIGger:{A B}:BUS:B<x>:MIL1553B:STATus:BIT:SUBSF?                                                                                                                                                            |
| <b>Arguments</b>  | ONE filters status words to only match those where the SUBSF bit has a value of 1.<br>ZERO filters status words to only match those where the SUBSF bit has a value of 0.<br>NOCARE disables filtering of status words on the SUBSF bit.                                              |
| <b>Examples</b>   | TRIGGER:A:BUS:B1:MIL1553B:STATUS:BIT:SUBSF ONE specifies filtering status words for those where the SUBSF bit has a value of 1.<br>TRIGGER:A:BUS:B1:MIL1553B:STATUS:BIT:SUBSF? might return NOCARE, indicating that status words are not being filtered based on the SUBSF bit value. |

**TRIGger:{A|B}:BUS:B<x>:MIL1553B:STATus:BIT:TF**

This command sets or queries the value of the terminal flag bit (TF bit, bit 19) in a status word for a MIL-STD-1553 bus to triggering on. The bus number is specified by x. The trigger condition must be set to STATus.

|                   |                                                                                                                      |
|-------------------|----------------------------------------------------------------------------------------------------------------------|
| <b>Conditions</b> | Requires option 5-SRAERO or SUP5-SRAERO Triggering and Analysis application.                                         |
| <b>Group</b>      | Trigger                                                                                                              |
| <b>Syntax</b>     | TRIGger:{A B}:BUS:B<x>:MIL1553B:STATus:BIT:TF<br>{ONE ZERO NOCARE}<br>TRIGger:{A B}:BUS:B<x>:MIL1553B:STATus:BIT:TF? |

**Arguments** ONE filters status words to only match those where the TF bit has a value of 1.  
 ZERO filters status words to only match those where the TF bit has a value of 0.  
 NOCARE disables filtering of status words on the TF bit.

**Examples** TRIGGER:A:BUS:B1:MIL1553B:STATUS:BIT:TF ONE specifies filtering status words for those where the TF bit has a value of 1.  
 TRIGGER:A:BUS:B1:MIL1553B:STATUS:BIT:TF? might return NOCARE, indicating that status words are not being filtered based on the TF bit value.

## TRIGger:{A|B}:BUS:B<x>:MIL1553B:STATus:PARity

This command sets or queries the value of the status word parity bit for a MIL-STD-1553 bus to triggering on. The bus number is specified by x. The trigger condition must be set to STATus.

**Conditions** Requires option 5-SRAERO or SUP5-SRAERO Triggering and Analysis application.

**Group** Trigger

**Syntax** TRIGger:{A|B}:BUS:B<x>:MIL1553B:STATus:PARity  
 {ONE|ZERo|NOCARE}  
 TRIGger:{A|B}:BUS:B<x>:MIL1553B:STATus:PARity?

**Arguments** ONE filters status words to only match those where the parity bit has a value of 1.  
 ZERO filters status words to only match those where the parity bit has a value of 0.  
 NOCARE disables filtering of status words on the parity bit.

**Examples** TRIGGER:A:BUS:B1:MIL1553B:STATUS:PARITY ONE specifies filtering status words for those where the parity bit has a value of 1.  
 TRIGGER:A:BUS:B1:MIL1553B:STATUS:PARITY? might return NOCARE, indicating that status words are not being filtered based on the parity bit value.

## TRIGger:{A|B}:BUS:B<x>:MIL1553B:TIME:LESSLimit

This command sets or queries the lower limit to be used when triggering on response time / inter message gap time for a MIL-STD-1553 bus. The bus number is specified by x. The trigger condition must be set to TIME.

|                         |                                                                                                                                                                                                                                                             |
|-------------------------|-------------------------------------------------------------------------------------------------------------------------------------------------------------------------------------------------------------------------------------------------------------|
| <b>Conditions</b>       | Requires option 5-SRAERO or SUP5-SRAERO Triggering and Analysis application.                                                                                                                                                                                |
| <b>Group</b>            | Trigger                                                                                                                                                                                                                                                     |
| <b>Syntax</b>           | TRIGger:{A B}:BUS:B<x>:MIL1553B:TIME:LESSLimit <NR3><br>TRIGger:{A B}:BUS:B<x>:MIL1553B:TIME:LESSLimit?                                                                                                                                                     |
| <b>Related Commands</b> | <a href="#">TRIGger:{A B}:BUS:B&lt;x&gt;:MIL1553B:TIME:QUALifier</a>                                                                                                                                                                                        |
| <b>Arguments</b>        | <NR3> is a floating point number that specifies the lower bound for measuring remote terminal response time (RT) or the inter-message gap (IMG) in seconds.                                                                                                 |
| <b>Examples</b>         | TRIGGER:A:BUS:B1:MIL1553B:TIME:LESSLIMIT 2.0000e-6 sets the lower bound for comparison to 2 microseconds.<br><br>TRIGGER:A:BUS:B1:MIL1553B:TIME:LESSLIMIT? might return 4.0000E-6, indicating that the lower bound for comparison is set to 4 microseconds. |

## TRIGger:{A|B}:BUS:B<x>:MIL1553B:TIME:MORELimit

This command sets or queries the upper limit to be used when triggering on response time / inter message gap time for a MIL-STD-1553 bus. The bus number is specified by x. The trigger condition must be set to TIME.

|                         |                                                                                                                                                             |
|-------------------------|-------------------------------------------------------------------------------------------------------------------------------------------------------------|
| <b>Conditions</b>       | Requires option 5-SRAERO or SUP5-SRAERO Triggering and Analysis application.                                                                                |
| <b>Group</b>            | Trigger                                                                                                                                                     |
| <b>Syntax</b>           | TRIGger:{A B}:BUS:B<x>:MIL1553B:TIME:MORELimit <NR3><br>TRIGger:{A B}:BUS:B<x>:MIL1553B:TIME:MORELimit?                                                     |
| <b>Related Commands</b> | <a href="#">TRIGger:{A B}:BUS:B&lt;x&gt;:MIL1553B:TIME:QUALifier</a>                                                                                        |
| <b>Arguments</b>        | <NR3> is a floating point number that specifies the upper bound for measuring remote terminal response time (RT) or the inter-message gap (IMG) in seconds. |

- Examples**     `TRIGGER:A:BUS:B1:MIL1553B:TIME:MORELIMIT 15.0000e-6` sets the upper bound for comparison to 15 microseconds.
- `TRIGGER:A:BUS:B1:MIL1553B:TIME:MORELIMIT?` might return `12.0000E-6`, indicating that the upper bound for comparison is set to 12 microseconds.

## **TRIGger:{A|B}:BUS:B<x>:MIL1553B:TIME:QUALifier**

This command sets or queries the qualifier to be used when triggering on response time / inter message gap time for a MIL-STD-1553 bus. The bus number is specified by x. The trigger condition must be set to TIME.

- Conditions**     Requires option 5-SRAERO or SUP5-SRAERO Triggering and Analysis application.
- Group**             Trigger
- Syntax**            `TRIGger:{A|B}:BUS:B<x>:MIL1553B:TIME:QUALifier`  
`{LESSthan|MOREthan|INrange|OUTrange}`  
`TRIGger:{A|B}:BUS:B<x>:MIL1553B:TIME:QUALifier?`
- Related Commands**     [TRIGger:{A|B}:BUS:B<x>:MIL1553B:TIME:LESSLimit](#)  
[TRIGger:{A|B}:BUS:B<x>:MIL1553B:TIME:MORELimit](#)
- Arguments**        `LESSthan` sets the data qualifier to less than.  
`MOREthan` sets the data qualifier to more than.  
`INrange` sets the data qualifier to in range.  
`OUTrange` sets the data qualifier to out of range.
- Examples**         `TRIGGER:A:BUS:B1:MIL1553B:TIME:QUALIFIER LESSTHAN` sets the time comparison qualifier to less than.
- `TRIGGER:A:BUS:B1:MIL1553B:TIME:QUALIFIER?` might return `OUTRANGE`, indicating that the qualifier is set to out-of-range comparison.

## **TRIGger:{A|B}:BUS:B<x>:PARAllel:DATa:VALue**

This command specifies the binary data string used for a Parallel Bus trigger. The bus number is specified by x.

|                  |                                                                                                                                                                                                                           |
|------------------|---------------------------------------------------------------------------------------------------------------------------------------------------------------------------------------------------------------------------|
| <b>Group</b>     | Trigger                                                                                                                                                                                                                   |
| <b>Syntax</b>    | <pre>TRIGger:{A B}:BUS:B&lt;x&gt;:PARAllel:DATA:VALue &lt;QString&gt; TRIGger:{A B}:BUS:B&lt;x&gt;:PARAllel:DATA:VALue?</pre>                                                                                             |
| <b>Arguments</b> | <QString> is the binary data string used for a Parallel Bus trigger.                                                                                                                                                      |
| <b>Examples</b>  | <pre>TRIGger:A:BUS:B1:PARAllel:DATA:VALue "11001101" sets the data value to 11001101.  TRIGger:A:BUS:B1:PARAllel:DATA:VALue? might return :TRIGGER:A:BUS:B1:PARALLEL:DATA:VALUE "X" indicating the data value is X.</pre> |

## TRIGger:{A|B}:BUS:B<x>:RS232C:CONDition

This command specifies the condition for an RS-232C trigger, where the bus number is specified by < >x.

|                   |                                                                                                                                                                                                                                      |
|-------------------|--------------------------------------------------------------------------------------------------------------------------------------------------------------------------------------------------------------------------------------|
| <b>Conditions</b> | Requires option 5-SRCOMP or SUP5-SRCOMP Triggering and Analysis application.                                                                                                                                                         |
| <b>Group</b>      | Trigger                                                                                                                                                                                                                              |
| <b>Syntax</b>     | <pre>TRIGger:{A B}:BUS:B&lt;x&gt;:RS232C:CONDition {START Eop DATA PARItYerror} TRIGger:{A B}:BUS:B&lt;x&gt;:RS232C:CONDition?</pre>                                                                                                 |
| <b>Arguments</b>  | <p>START sets the Trigger on condition to Start.</p> <p>Eop sets the Trigger on condition to End of Packet.</p> <p>DATA sets the Trigger on condition to Data.</p> <p>PARItYerror sets the Trigger on condition to Parity Error.</p> |
| <b>Examples</b>   | <pre>TRIGger:A:BUS:B1:RS232C:CONDition DATA sets the trigger on condition to data.  TRIGger:A:BUS:B1:RS232C:CONDition? might return :TRIGGER:A:BUS:B1:RS232C:CONDITION START indicating start is the trigger condition.</pre>        |

## TRIGger:{A|B}:BUS:B<x>:RS232C:DATA:SIZE

This command sets or queries the length of the data string in bytes to be used for an RS-232C trigger when the trigger condition is Data. The bus number is specified by x.

|                   |                                                                                                                                                                                                                                                                                  |
|-------------------|----------------------------------------------------------------------------------------------------------------------------------------------------------------------------------------------------------------------------------------------------------------------------------|
| <b>Conditions</b> | Requires option 5-SRCOMP or SUP5-SRCOMP Triggering and Analysis application.                                                                                                                                                                                                     |
| <b>Group</b>      | Trigger                                                                                                                                                                                                                                                                          |
| <b>Syntax</b>     | TRIGger:{A B}:BUS:B<x>:RS232C:DATA:SIZE <NR3><br>TRIGger:{A B}:BUS:B<x>:RS232C:DATA:SIZE?                                                                                                                                                                                        |
| <b>Arguments</b>  | <NR3> specifies the data size in bytes.                                                                                                                                                                                                                                          |
| <b>Examples</b>   | TRIGGER:A:BUS:B1:RS232C:DATA:SIZE 3 sets three bytes data size for the RS-232C bus B1 trigger.<br><br>TRIGGER:A:BUS:B1:RS232C:DATA:SIZE? might return<br>:TRIGGER:A:BUS:B1:RS232C:DATA:SIZE 2, indicating that the data size for the RS-232C bus B1 trigger is set to two bytes. |

## TRIGger:{A|B}:BUS:B<x>:RS232C:DATA:VALue

This command sets or queries the data address string used for the RS-232 bus trigger when the trigger condition is set to Data. The bus number is specified by x.

|                   |                                                                                                             |
|-------------------|-------------------------------------------------------------------------------------------------------------|
| <b>Conditions</b> | Requires option 5-SRCOMP or SUP5-SRCOMP Triggering and Analysis application.                                |
| <b>Group</b>      | Trigger                                                                                                     |
| <b>Syntax</b>     | TRIGger:{A B}:BUS:B<x>:RS232C:DATA:VALue <QString><br>TRIGger:{A B}:BUS:B<x>:RS232C:DATA:VALue?             |
| <b>Arguments</b>  | <QString> specifies the address value. The argument is a string of 0, 1, or X representing a binary number. |

**Examples** TRIGGER:A:BUS:B1:RS232C:DATA:VALUE "011XX11" sets the data address string used for the RS-232 bus trigger to 011XX11.

TRIGGER:A:BUS:B1:RS232C:DATA:VALUE? might return  
:TRIGGER:A:BUS:RS232C:DATA:VALUE "XXXXXX01", indicating that the data address string used for the RS-232 bus trigger is set to "XXXXXX01"

## TRIGger:{A|B}:BUS:B<x>:SENT:CONDition

This command sets or queries the trigger condition for a SENT bus.

**Conditions** Requires option SRAUTOSEN.

**Group** Trigger

**Syntax** TRIGger:{A|B}:BUS:B<x>:SENT:CONDition  
{START|FAST|SLOW|ERRor}  
TRIGger:{A|B}:BUS:B<x>:SENT:CONDition?

**Arguments** B<x> is the number of the bus waveform.

START sets triggering on start of packet.

FAST sets triggering on fast channel packets.

SLOW sets triggering on slow channel packets.

ERRor sets triggering on errors.

**Examples** TRIGGER:A:BUS:B1:SENT:CONDITION START specifies triggering on start of packet.

TRIGGER:A:BUS:B1:SENT:CONDITION? might return  
TRIGGER:A:BUS:B1:SENT:CONDITION ERRor, indicating the bus is triggering on errors.

## TRIGger:{A|B}:BUS:B<x>:SENT:ERRType

This command sets or queries the error type to be used when triggering on SENT data.

**Conditions** Requires option 5SRAUTOSEN.

The SENT bus trigger condition is set to ERRor.

|                         |                                                                                                                                                                                                                |
|-------------------------|----------------------------------------------------------------------------------------------------------------------------------------------------------------------------------------------------------------|
| <b>Group</b>            | Trigger                                                                                                                                                                                                        |
| <b>Syntax</b>           | TRIGger:{A B}:BUS:B<x>:SENT:ERRType CRC<br>TRIGger:{A B}:BUS:B<x>:SENT:ERRType?                                                                                                                                |
| <b>Related Commands</b> | <a href="#">TRIGger:{A B}:BUS:B&lt;x&gt;:SENT:CONDition</a>                                                                                                                                                    |
| <b>Arguments</b>        | B<x> is the number of the bus waveform.<br>CRC specifies triggering on CRC errors.                                                                                                                             |
| <b>Examples</b>         | TRIGGER:A:BUS:B1:SENT:ERRTYPE CRC sets the bus to trigger on CRC errors.<br>TRIGGER:A:BUS:B1:SENT:ERRTYPE? might return<br>:TRIGGER:A:BUS:B1:SENT:ERRTYPE CRC to indicate the bus is triggering on CRC errors. |

## TRIGger:{A|B}:BUS:B<x>:SENT:ERRType:CRc

This command sets or queries the CRC error type to be used when triggering on SENT data.

|                         |                                                                                                                                                                                   |
|-------------------------|-----------------------------------------------------------------------------------------------------------------------------------------------------------------------------------|
| <b>Conditions</b>       | Requires option SRAUTOSEN.<br>The SENT bus trigger condition is set to ERRor.<br>The ERRType is set to CRc.                                                                       |
| <b>Group</b>            | Trigger                                                                                                                                                                           |
| <b>Syntax</b>           | TRIGger:{A B}:BUS:B<x>:SENT:ERRType:CRc {FAST SLOW}<br>TRIGger:{A B}:BUS:B<x>:SENT:ERRType:CRc?                                                                                   |
| <b>Related Commands</b> | <a href="#">TRIGger:{A B}:BUS:B&lt;x&gt;:SENT:CONDition</a><br><a href="#">TRIGger:{A B}:BUS:B&lt;x&gt;:SENT:ERRType</a>                                                          |
| <b>Arguments</b>        | B<x> is the number of the bus waveform.<br>FAST specifies triggering on CRC errors in only the Fast Channel.<br>SLOW specifies triggering on CRC errors in only the slow channel. |



**Examples** TRIGGER:A:BUS:B1:SENT:ERRTYPE:CRC FAST sets the bus to trigger on Fast Channel CRC errors.

TRIGGER:A:BUS:B1:SENT:ERRTYPE:CRC? might return  
TRIGGER:A:BUS:B1:SENT:ERRTYPE:CRC FAST to indicate that the bus is triggering on Fast Channel CRC errors.

## TRIGger:{A|B}:BUS:B<x>:SENT:FAST:CHAN1A:HIVALue

This command sets or queries the high binary fast channel 1 value to use when triggering on a SENT bus signal.

**Conditions** Requires option SRAUTOSEN.  
The SENT bus trigger condition must be set to FAST.

**Group** Trigger

**Syntax** TRIGger:{A|B}:BUS:B<x>:SENT:FAST:CHAN1A:HIVALue <QString>  
TRIGger:{A|B}:BUS:B<x>:SENT:FAST:CHAN1A:HIVALue?

**Related Commands** [TRIGger:{A|B}:BUS:B<x>:SENT:CONDition](#)

**Arguments** B<x> is the bus identifier number.  
<QString> sets the Fast Channel 1 binary data high value.

**Examples** TRIGger:A:BUS:B12:SENT:FAST:CHAN1A:HIVALue "XXXXXXXXXXXX" sets the SENT bus B12 Fast Channel 1 high value to XXXXXXXXXXXXXXX, or "don't care."

TRIGger:A:BUS:B3:SENT:FAST:CHAN1A:HIVALue? might return  
TRIGGER:A:BUS:B3:SENT:FAST:CHAN1A:HIVALUE "0101XXXX1111", indicating the SENT bus B3 Fast Channel 1 high is set to the binary value 0101XXXX1111.

## TRIGger:{A|B}:BUS:B<x>:SENT:FAST:CHAN1A:QUALifier

This command sets or queries the qualifier to be used when triggering on SENT fast packet bus data for device channel 1.

**Conditions** Requires option SRAUTOSEN

The SENT bus trigger condition must be set to FAST.

**Group** Trigger

**Syntax** TRIGGER:{A|B}:BUS:B<x>:SENT:FAST:CHAN1A:  
 QUALifier {Equal|UNEQUAL|LESSThan|MOREthan|  
 LESSEQUAL|MOREEQUAL|INrange|OUTrange}  
 TRIGGER:{A|B}:BUS:B<x>:SENT:FAST:CHAN1A:QUALifier?

**Related Commands** [TRIGGER:{A|B}:BUS:B<x>:SENT:CONDition](#)  
[TRIGGER:{A|B}:BUS:B<x>:SENT:FAST:CHAN1A:VALue](#)

**Arguments** B<x> is the number of the bus.  
 Equal sets the qualifier as Equal.  
 LESSEQUAL sets the qualifier as Less Than or Equal to.  
 LESSThan sets the qualifier as Less Than.  
 MOREEQUAL sets the qualifier as More Than or Equal to.  
 MOREthan sets the qualifier as More Than.  
 UNEQUAL sets the qualifier as Unequal.  
 INrange sets the qualifier to inside a range.  
 OUTrange sets the qualifier to outside a range.

**Examples** TRIGGER:A:BUS:B2:SENT:FAST:CHAN1A:QUALIFIER UNEQUAL sets the fast channel 1 data qualifier trigger to not equal for bus 2.  
 TRIGGER:A:BUS:B5:SENT:FAST:CHAN1A:QUALIFIER? might return  
 TRIGGER:A:BUS:B1:SENT:FAST:CHAN1A:QUALIFIER MOREEQUAL to indicate that the fast channel 1 data qualifier trigger is set to greater than or equal for bus 5.

## TRIGGER:{A|B}:BUS:B<x>:SENT:FAST:CHAN1A:VALue

This command sets or queries the binary fast channel 1 value to be used when triggering on a SENT bus signal.

**Conditions** Requires option SRAUTOSEN.  
 The search trigger condition must be set to FAST.

|                         |                                                                                                                                                                                                                                                                                                                                   |
|-------------------------|-----------------------------------------------------------------------------------------------------------------------------------------------------------------------------------------------------------------------------------------------------------------------------------------------------------------------------------|
| <b>Group</b>            | Trigger                                                                                                                                                                                                                                                                                                                           |
| <b>Syntax</b>           | <pre>TRIGger:{A B}:BUS:B&lt;x&gt;:SENT:FAST:CHAN1A:VALue &lt;QString&gt; TRIGger:{A B}:BUS:B&lt;x&gt;:SENT:FAST:CHAN1A:VALue?</pre>                                                                                                                                                                                               |
| <b>Related Commands</b> | <pre>TRIGger:{A B}:BUS:B&lt;x&gt;:SENT:CONDition TRIGger:{A B}:BUS:B&lt;x&gt;:SENT:FAST:CHAN1A:QUALifier</pre>                                                                                                                                                                                                                    |
| <b>Arguments</b>        | <p>B&lt;x&gt; is the number of the bus waveform.</p> <p>&lt;QString&gt; is the Fast Channel 1 value on which to trigger.</p>                                                                                                                                                                                                      |
| <b>Examples</b>         | <pre>TRIGGER:A:BUS:B1:SENT:FAST:CHAN1A:VALUE "XXXXXXXXXXXX" sets the Fast Channel 1 value to trigger on XXXXXXXXXXXXX, or "don't care."  TRIGGER:A:BUS:B1:SENT:FAST:CHAN1A:VALUE? might return :TRIGGER:A:BUS:B1:SENT:FAST:CHAN1A:VALUE "0000XXXX1111" to indicate the Fast Channel 1 binary trigger value is 0000XXXX1111.</pre> |

## TRIGger:{A|B}:BUS:B<x>:SENT:FAST:CHAN2B:HIVALue

This command sets or queries the high binary fast channel 2 value to use when triggering on a SENT bus signal.

|                         |                                                                                                                                         |
|-------------------------|-----------------------------------------------------------------------------------------------------------------------------------------|
| <b>Conditions</b>       | <p>Requires option SRAUTOSEN.</p> <p>The SENT bus trigger condition must be set to FAST.</p>                                            |
| <b>Group</b>            | Trigger                                                                                                                                 |
| <b>Syntax</b>           | <pre>TRIGger:{A B}:BUS:B&lt;x&gt;:SENT:FAST:CHAN2B:HIVALue &lt;QString&gt; TRIGger:{A B}:BUS:B&lt;x&gt;:SENT:FAST:CHAN2B:HIVALue?</pre> |
| <b>Related Commands</b> | <pre>TRIGger:{A B}:BUS:B&lt;x&gt;:SENT:CONDition</pre>                                                                                  |
| <b>Arguments</b>        | <p>B&lt;x&gt; is the bus identifier number.</p> <p>&lt;QString&gt; sets the Fast Channel 2 high binary data value.</p>                  |

**Examples**     `TRIGger:A:BUS:B2:SENT:FAST:CHAN2B:HIVALue "10000000000"` sets the SENT bus B2 Fast Channel 2 high value to 10000000000.

`TRIGger:A:BUS:B4:SENT:FAST:CHAN2B:HIVALue?` might return `TRIGGER:A:BUS:B4:SENT:FAST:CHAN2B:HIVALUE "0101XXXX1111"`, indicating the SENT bus B4 Fast Channel 2 high is set to the binary value 0101XXXX1111.

## **TRIGger:{A|B}:BUS:B<x>:SENT:FAST:CHAN2B:QUALifier**

This command sets or queries the qualifier to be used when triggering on SENT fast packet bus data for device channel 2.

**Conditions**     Requires option SRAUTOSEN.  
The SENT bus trigger condition must be set to FAST.

**Group**            Trigger

**Syntax**           `TRIGger:{A|B}:BUS:B<x>:SENT:FAST:CHAN2B:QUALifier {Equal|UNEQual|LESSthan|MORethan|LESSEQual|MOREEQual|INrange|OUTrange}`  
`TRIGger:{A|B}:BUS:B<x>:SENT:FAST:CHAN2B:QUALifier?`

**Related Commands**     [TRIGger:{A|B}:BUS:B<x>:SENT:CONDition](#)  
[TRIGger:{A|B}:BUS:B<x>:SENT:FAST:CHAN2B:VALue](#)

**Arguments**        `B<x>` is the number of the bus.  
`Equal` sets the qualifier as Equal.  
`LESSEQual` sets the qualifier as Less Than or Equal to.  
`LESSthan` sets the qualifier as Less Than.  
`MOREEQual` sets the qualifier as More Than or Equal to.  
`MORethan` sets the qualifier as More Than.  
`UNEQual` sets the qualifier as Unequal.  
`INrange` sets the qualifier to inside a range.  
`OUTrange` sets the qualifier to outside a range.

- Examples** TRIGGER:A:BUS:B2:SENT:FAST:CHAN2B:QUALIFIER UNEQUAL sets the fast channel 2 data qualifier trigger to not equal for bus 2.
- TRIGGER:A:BUS:B5:SENT:FAST:CHAN2B:QUALIFIER? might return TRIGGER:A:BUS:B1:SENT:FAST:CHAN2B:QUALIFIER MOREEQUAL to indicate that the fast channel 2 data qualifier trigger is set to greater than or equal for bus 5.

## TRIGger:{A|B}:BUS:B<x>:SENT:FAST:CHAN2B:VALue

This command sets or queries the binary fast channel 2 value to be used when triggering on a SENT bus signal. The trigger condition must be set to FAST.

- Conditions** Requires option SRAUTOSEN.  
The search condition must be set to FAST.
- Group** Trigger
- Syntax** TRIGger:{A|B}:BUS:B<x>:SENT:FAST:CHAN2B:VALue <QString>  
TRIGger:{A|B}:BUS:B<x>:SENT:FAST:CHAN2B:VALue?
- Related Commands** [TRIGger:{A|B}:BUS:B<x>:SENT:CONDition](#)  
[TRIGger:{A|B}:BUS:B<x>:SENT:PAUSE:QUALifier](#)
- Arguments** B<x> is the number of the bus waveform.  
<QString> is the Fast Channel 2 binary value on which to trigger.
- Examples** TRIGGER:A:BUS:B1:SENT:FAST:CHAN2B:VALUE "111111111111" sets the Fast Channel 2 value on which to trigger to 111111111111.  
TRIGGER:A:BUS:B1:SENT:FAST:CHAN2B:VALUE? might return :TRIGGER:A:BUS:B1:SENT:FAST:CHAN2B:VALUE "000000000000" to indicate the Fast Channel 2 binary value on which to trigger is 000000000000.

## TRIGger:{A|B}:BUS:B<x>:SENT:FAST:COUNTER:HIVALue

This command sets or queries the high binary fast message counter value to be used when triggering on a SENT bus signal.

|                         |                                                                                                                                                                                                                                                                                       |
|-------------------------|---------------------------------------------------------------------------------------------------------------------------------------------------------------------------------------------------------------------------------------------------------------------------------------|
| <b>Conditions</b>       | Requires option SRAUTOSEN.<br>The SENT bus trigger condition must be set to FAST.<br>The number of channels must be set to 1.<br>The nibble count must be set to 6.                                                                                                                   |
| <b>Group</b>            | Trigger                                                                                                                                                                                                                                                                               |
| <b>Syntax</b>           | TRIGger:{A B}:BUS:B<x>:SENT:FAST:COUNTER:HIVALue <QString><br>TRIGger:{A B}:BUS:B<x>:SENT:FAST:COUNTER:HIVALue?                                                                                                                                                                       |
| <b>Related Commands</b> | <a href="#">TRIGger:{A B}:BUS:B&lt;x&gt;:SENT:CONDition</a><br><a href="#">BUS:B&lt;x&gt;:SENT:NUMCHANnel</a><br><a href="#">BUS:B&lt;x&gt;:SENT:NIBBLECount</a>                                                                                                                      |
| <b>Arguments</b>        | B<x> is the bus identifier number.<br><QString> sets the Fast Channel 1 counter binary value.                                                                                                                                                                                         |
| <b>Examples</b>         | TRIGGER:A:BUS:B1:SENT:FAST:COUNTER:HIVALUE "XXXXXXXX" sets the Fast Channel 1 secure counter high value to "don't care."<br>TRIGGER:A:BUS:B3:SENT:FAST:COUNTER:HIVALUE? might return<br>TRIGGER:A:BUS:B3:SENT:FAST:COUNTER:HIVALUE "11110000" to indicate a binary value of 11110000. |

## TRIGger:{A|B}:BUS:B<x>:SENT:FAST:COUNTER:QUALifier

This command sets or queries the qualifier to be used when triggering on SENT fast packet bus data for the secure format counter.

|                   |                                                                                                                                   |
|-------------------|-----------------------------------------------------------------------------------------------------------------------------------|
| <b>Conditions</b> | Requires option SRAUTOSEN.<br>The SENT bus trigger condition must be set to FAST.                                                 |
| <b>Group</b>      | Trigger                                                                                                                           |
| <b>Syntax</b>     | TRIGger:{A B}:BUS:B<x>:SENT:FAST:COUNTER:<br>QUALifier {EQUAL UNEQUAL LESSTHAN MORETHAN <br>LESSEQUAL MOREEQUAL INRANGE OUTRANGE} |

TRIGger:{A|B}:BUS:B<x>:SENT:FAST:COUNTER:QUALifier?

**Related Commands**    [TRIGger:{A|B}:BUS:B<x>:SENT:CONDition](#)  
[TRIGger:{A|B}:BUS:B<x>:SENT:FAST:COUNTER:VALue](#)

**Arguments**    B<x> is the number of the bus.  
 EQUa1 sets the qualifier as Equal.  
 LESSEQUa1 sets the qualifier as Less Than or Equal to.  
 LESSThan sets the qualifier as Less Than.  
 MOREEQUa1 sets the qualifier as More Than or Equal to.  
 MOREthan sets the qualifier as More Than.  
 UNEQUa1 sets the qualifier as Unequal.  
 INrange sets the qualifier to inside a range.  
 OUTrange sets the qualifier to outside a range.

**Examples**    TRIGGER:A:BUS:B2:SENT:FAST:COUNTER:QUALIFIER UNEQUAL sets the fast channel 2 counter qualifier trigger to not equal for bus 2.  
 TRIGGER:A:BUS:B5:SENT:FAST:COUNTER:QUALIFIER? might return TRIGGER:A:BUS:B1:SENT:FAST:COUNTER:QUALIFIER MOREEQUAL to indicate that the fast channel 2 counter qualifier trigger is set to greater than or equal for bus 5.

## TRIGger:{A|B}:BUS:B<x>:SENT:FAST:COUNTER:VALue

This command sets or queries the binary fast message counter value to be used when triggering on a SENT bus signal.

**Conditions**    Requires option SRAUTOSEN.  
 The search condition must be set to FAST.  
 The number of channels must be set to 1.  
 The nibble count must be set to 6.

**Group**    Trigger

|                         |                                                                                                                                                                                                                                                                                                                                                                                     |
|-------------------------|-------------------------------------------------------------------------------------------------------------------------------------------------------------------------------------------------------------------------------------------------------------------------------------------------------------------------------------------------------------------------------------|
| <b>Syntax</b>           | <code>TRIGger:{A B}:BUS:B&lt;x&gt;:SENT:FAST:COUNTER:VALue &lt;QString&gt;</code><br><code>TRIGger:{A B}:BUS:B&lt;x&gt;:SENT:FAST:COUNTER:VALue?</code>                                                                                                                                                                                                                             |
| <b>Related Commands</b> | <a href="#">TRIGger:{A B}:BUS:B&lt;x&gt;:SENT:CONDition</a><br><a href="#">BUS:B&lt;x&gt;:SENT:NIBBLECount</a><br><a href="#">BUS:B&lt;x&gt;:SENT:NUMCHANnel</a>                                                                                                                                                                                                                    |
| <b>Arguments</b>        | <code>B&lt;x&gt;</code> is the number of the bus waveform.<br><br><code>&lt;QString&gt;</code> is the Fast Channel 1 fast message counter binary value on which to trigger.                                                                                                                                                                                                         |
| <b>Examples</b>         | <code>TRIGGER:A:BUS:B1:SENT:FAST:COUNTER:VALUE "XXXXXXXX"</code> sets the Fast Channel 1 fast message counter value to "don't care."<br><br><code>TRIGGER:A:BUS:B1:SENT:FAST:COUNTER:VALUE?</code> might return <code>:TRIGGER:A:BUS:B1:SENT:FAST:COUNTER:VALUE "00001111"</code> to indicate the Fast Channel 1 fast message counter binary value on which to trigger is 00001111. |

## TRIGger:{A|B}:BUS:B<x>:SENT:FAST:INVERTNIBble:VALue

This command sets or queries the binary fast message inverted nibble value to be used when triggering on a SENT bus signal.

|                         |                                                                                                                                                                       |
|-------------------------|-----------------------------------------------------------------------------------------------------------------------------------------------------------------------|
| <b>Conditions</b>       | Requires option SRAUTOSEN.<br><br>The search condition must be set to FAST.<br><br>The number of channels must be set to 1.<br><br>The nibble count must be set to 6. |
| <b>Group</b>            | Trigger                                                                                                                                                               |
| <b>Syntax</b>           | <code>TRIGger:{A B}:BUS:B&lt;x&gt;:SENT:FAST:INVERTNIBble:VALue &lt;QString&gt;</code><br><code>TRIGger:{A B}:BUS:B&lt;x&gt;:SENT:FAST:INVERTNIBble:VALue?</code>     |
| <b>Related Commands</b> | <a href="#">TRIGger:{A B}:BUS:B&lt;x&gt;:SENT:CONDition</a><br><a href="#">BUS:B&lt;x&gt;:SENT:NIBBLECount</a>                                                        |



[BUS:B<x>:SENT:NUMCHANnel](#)

**Arguments** B<x> is the number of the bus waveform.  
 <QString> is the Fast Channel 1 inverted nibble binary value on which to trigger.

**Examples** TRIGGER:A:BUS:B1:SENT:FAST:INVERTNIBBLE:VALUE "XXXX" sets the Fast Channel 1 secure inverted nibble value to "don't care."  
 TRIGGER:A:BUS:B1:SENT:FAST:INVERTNIBBLE:VALUE? might return :TRIGGER:A:BUS:B1:SENT:FAST:INVERTNIBBLE:VALUE "1111" to indicate a binary value of 1111.

**TRIGger:{A|B}:BUS:B<x>:SENT:FAST:STATus:VALue**

This command sets or queries the binary status value to be used when triggering on a SENT bus signal.

**Conditions** Requires option SRAUTOSEN.  
 The search trigger condition must be set to FAST.

**Group** Trigger

**Syntax** TRIGger:{A|B}:BUS:B<x>:SENT:FAST:STATus:VALue <QString>  
 TRIGger:{A|B}:BUS:B<x>:SENT:FAST:STATus:VALue?

**Related Commands** [TRIGger:{A|B}:BUS:B<x>:SENT:CONDition](#)

**Arguments** B<x> is the number of the bus waveform.  
 <QString> is the binary status value on which to trigger.

**Examples** TRIGger:A:BUS:B1:SENT:FAST:STATus:VALue "XXXX" sets the binary status trigger value to XXXX.  
 TRIGGER:A:BUS:B1:SENT:FAST:STATUS:VALUE? might return :TRIGGER:A:BUS:B1:SENT:FAST:STATUS:VALUE "1010" to indicate a binary trigger value is 1010.

## TRIGger:{A|B}:BUS:B<x>:SENT:PAUSE:QUALifier

This command sets or queries the qualifier to be used when triggering on SENT pause pulses.

**Conditions** Requires option SRAUTOSEN.

The SENT bus trigger condition must be set to PAUSE.

**Group** Trigger

**Syntax** TRIGger:{A|B}:BUS:B<x>:SENT:PAUSE:QUALifier {Equal|UNEQUAL|LESSThan|MOREthan|LESSEQUAL|MOREEQUAL|INrange|OUTrange}  
TRIGger:{A|B}:BUS:B<x>:SENT:PAUSE:QUALifier?

**Related Commands** [TRIGger:{A|B}:BUS:B<x>:SENT:CONDition](#)

[SEARCH:SEARCH<x>:TRIGger:A:BUS:SENT:PAUSE:TICKs:HIVALue](#)

[SEARCH:SEARCH<x>:TRIGger:A:BUS:SENT:PAUSE:TICKs:VALue](#)

**Arguments** B<x> is the bus identifier number.

EQUAL sets the qualifier as Equal.

INrange sets the qualifier to in range.

LESSEQUAL sets the qualifier as Less Than or Equal to.

LESSThan sets the qualifier as Less Than.

MOREEQUAL sets the qualifier as More Than or Equal to.

MOREthan sets the qualifier as More Than.

OUTrange sets the qualifier to out of range.

UNEQUAL sets the qualifier as Unequal.

**Examples** TRIGGER:A:BUS:B2:SENT:PAUSE:QUALifier UNEQUAL sets the pause pulse qualifier trigger to not equal for bus 2.

TRIGGER:A:BUS:B1:SENT:PAUSE:QUALIFIER? might return  
:TRIGGER:A:BUS:B1:SENT:PAUSE:QUALIFIER INRANGE to indicate that the pause pulse qualifier is set to trigger inside the range of ticks low and ticks high on bus 1.

**TRIGger:{A|B}:BUS:B<x>:SENT:SLOW:DATA:HIVALue**

This command sets or queries the high binary Slow channel data value to use when triggering on a SENT bus signal.

**Conditions** Requires option SRAUTOSEN.

The SENT bus trigger condition must be set to SLOW.

**Group** Trigger

**Syntax** TRIGger:{A|B}:BUS:B<x>:SENT:SLOW:DATA:HIVALue <QString>  
TRIGger:{A|B}:BUS:B<x>:SENT:SLOW:DATA:HIVALue?

**Related Commands** [TRIGger:{A|B}:BUS:B<x>:SENT:CONDition](#)

**Arguments** B<x> is the bus identifier number.

<QString> sets the binary Slow channel data value.

**Examples** TRIGGER:A:BUS:B1:SENT:SLOW:DATA:HIVALUE "XXXXXXXX" sets the Slow data high value to "don't care."

TRIGGER:A:BUS:B1:SENT:SLOW:DATA:HIVALUE? might return  
TRIGGER:A:BUS:B1:SENT:SLOW:DATA:HIVALUE "11110001", to indicate triggering on Slow data values that match 11110001.

**TRIGger:{A|B}:BUS:B<x>:SENT:SLOW:DATA:QUALifier**

This command sets or queries the binary identifier value to use when triggering on a SENT bus signal.

**Conditions** Requires option SRAUTOSEN

The SENT bus trigger condition must be set to SLOW.

**Group** Trigger

**Syntax** TRIGger:{A|B}:BUS:B<x>:SENT:SLOW:DATA:QUALifier {Equal|  
UNEQual| LESSthan| MOREthan| LESSEQual| MOREEQual|  
INrange|OUTrange}  
TRIGger:{A|B}:BUS:B<x>:SENT:SLOW:DATA:QUALifier?

|                         |                                                                                                                                                                                                                                                                                                                                                                                                                                                                                                                      |
|-------------------------|----------------------------------------------------------------------------------------------------------------------------------------------------------------------------------------------------------------------------------------------------------------------------------------------------------------------------------------------------------------------------------------------------------------------------------------------------------------------------------------------------------------------|
| <b>Related Commands</b> | <a href="#">TRIGger:{A B}:BUS:B&lt;x&gt;:SENT:CONDition</a>                                                                                                                                                                                                                                                                                                                                                                                                                                                          |
| <b>Arguments</b>        | <p>B&lt;x&gt; is the bus identifier number.</p> <p>EQual specifies the qualifier as Equal.</p> <p>UNEQua1 specifies the qualifier as Not Equal to.</p> <p>LESSthan specifies the qualifier as Less Than.</p> <p>MOREthan specifies the qualifier as More Than.</p> <p>LESSEQua1 specifies the qualifier as Less Than or Equal to.</p> <p>MOREEQual specifies the qualifier as More Than or Equal to.</p> <p>INrange sets the qualifier to inside a range.</p> <p>OUTrange sets the qualifier to outside a range.</p> |
| <b>Examples</b>         | <p>TRIGger:{A B}:BUS:B2:SENT:SLOW:DATA:QUALIFIER LESSEQUAL sets the slow channel data qualifier to less than or equal for bus 2.</p> <p>TRIGger:{A B}:BUS:B5:SENT:SLOW:DATA:QUALIFIER? might return :TRIGger:{A B}:BUS:B5:SENT:SLOW:DATA:QUALIFIER EQUAL to indicate that the slow channel data qualifier is set to equal on bus 5.</p>                                                                                                                                                                              |

## TRIGger:{A|B}:BUS:B<x>:SENT:SLOW:DATA:VALue

This command sets or queries the binary slow channel value to use when triggering on a SENT bus signal.

|                         |                                                                                                                                    |
|-------------------------|------------------------------------------------------------------------------------------------------------------------------------|
| <b>Conditions</b>       | <p>Requires option SRAUTOSEN</p> <p>The SENT bus trigger condition must be set to SLOW.</p>                                        |
| <b>Group</b>            | Trigger                                                                                                                            |
| <b>Syntax</b>           | <p>TRIGger:{A B}:BUS:B&lt;x&gt;:SENT:SLOW:DATA:VALue &lt;Qstring&gt;</p> <p>TRIGger:{A B}:BUS:B&lt;x&gt;:SENT:SLOW:DATA:VALue?</p> |
| <b>Related Commands</b> | <a href="#">TRIGger:{A B}:BUS:B&lt;x&gt;:SENT:CONDition</a>                                                                        |
| <b>Arguments</b>        | <p>B&lt;x&gt; is the bus identifier number.</p> <p>&lt;Qstring&gt; is the binary slow channel data value.</p>                      |

- Examples** TRIGGER:A:BUS:B2:SENT:SLOW:DATA:VALUE "XXXXXXXX" sets the slow data value to "don't care" for bus 2.
- TRIGGER:A:BUS:B4:SENT:SLOW:DATA:VALUE? might return  
:TRIGGER:A:BUS:B4:SENT:SLOW:DATA:VALUE "XXXX1111", to indicate triggering on slow data values that match XXXX1111 on bus 4.

## TRIGger:{A|B}:BUS:B<x>:SENT:SLOW:IDentifier:VALue

This command sets or queries the qualifier to use when triggering on SENT slow packet bus data.

- Conditions** Requires option SRAUTOSEN  
The SENT bus trigger condition must be set to SLOW.
- Group** Trigger
- Syntax** TRIGger:{A|B}:BUS:B<x>:SENT:SLOW:IDentifier:VALue <Qstring>  
TRIGger:{A|B}:BUS:B<x>:SENT:SLOW:IDentifier:VALue?
- Related Commands** [TRIGger:{A|B}:BUS:B<x>:SENT:CONDition](#)  
[TRIGger:{A|B}:BUS:B<x>:SENT:SLOW:DATA:VALue](#)
- Arguments** B<x> is the bus identifier number.  
<Qstring> is the binary identifier value.
- Examples** TRIGGER:A:BUS:B3:SENT:SLOW:IDENTIFIER:VALUE "XXXX" sets the identifier value to "don't care" for bus 3.
- TRIGGER:A:BUS:B1:SENT:SLOW:IDENTIFIER:VALUE? might return  
:TRIGGER:A:BUS:B1:SENT:SLOW:IDENTIFIER:VALUE "0001" to indicate the slow channel identifier is set to 0001 on bus 1.

## TRIGger:{A|B}:BUS:B<x>:SPI:CONDition

This command specifies the trigger condition for a SPI trigger. The bus number is specified by x.

|                         |                                                                                                                                                                                                                                                                                                                                                                                                 |
|-------------------------|-------------------------------------------------------------------------------------------------------------------------------------------------------------------------------------------------------------------------------------------------------------------------------------------------------------------------------------------------------------------------------------------------|
| <b>Conditions</b>       | Requires option 5-SRCOMP or SUP5-SRCOMP Triggering and Analysis application.                                                                                                                                                                                                                                                                                                                    |
| <b>Group</b>            | Trigger                                                                                                                                                                                                                                                                                                                                                                                         |
| <b>Syntax</b>           | TRIGger:{A B}:BUS:B<x>:SPI:CONDition {SS STARTofframe DATA}<br>TRIGger:{A B}:BUS:B<x>:SPI:CONDition?                                                                                                                                                                                                                                                                                            |
| <b>Related Commands</b> | <a href="#">BUS:B&lt;x&gt;:SPI:IDLETime</a><br><a href="#">BUS:B&lt;x&gt;:SPI:FRAMING</a>                                                                                                                                                                                                                                                                                                       |
| <b>Arguments</b>        | B<x> is the bus identifier number.<br>SS specifies the Slave Selection condition.<br>STARTofframe is applicable when BUS:B<x>:SPI:FRAMING is set to IDLEtime. When the trigger condition is set to STARTofframe, the instrument triggers on the first SPI clock after an idle time when there are no clocks.<br>DATA sets the trigger condition to Master-In Slave-Out and Master-Out Slave-In. |

## TRIGger:{A|B}:BUS:B<x>:SPI:DATA:SIZE

This command specifies the length of the data string to be used for a SPI trigger if the trigger condition is DATA. The bus number is specified by x.

|                   |                                                                                        |
|-------------------|----------------------------------------------------------------------------------------|
| <b>Conditions</b> | Requires option 5-SRCOMP or SUP5-SRCOMP Triggering and Analysis application.           |
| <b>Group</b>      | Trigger                                                                                |
| <b>Syntax</b>     | TRIGger:{A B}:BUS:B<x>:SPI:DATA:SIZE <NR1><br>TRIGger:{A B}:BUS:B<x>:SPI:DATA:SIZE?    |
| <b>Arguments</b>  | B<x> is the bus identifier number.<br><NR1> is the length of the data string in bytes. |

**Examples** TRIGger:A:BUS:B1:SPI:DATA:SIZE 1 sets the data size to 1 byte.  
 TRIGger:A:BUS:B1:SPI:DATA:SIZE? might return  
 :TRIGGER:A:BUS:B1:SPI:DATA:SIZE 1 indicating the data size is  
 1 byte.

## TRIGger:{A|B}:BUS:B<x>:SPI:DATA:VALue

This command specifies the binary data string used for SPI triggering if the trigger condition is DATA. The bus number is specified by x.

**Conditions** Requires option 5-SRCOMP or SUP5-SRCOMP Triggering and Analysis application.

**Group** Trigger

**Syntax** TRIGger:{A|B}:BUS:B<x>:SPI:DATA:VALue <QString>  
 TRIGger:{A|B}:BUS:B<x>:SPI:DATA:VALue?

**Arguments** B<x> is the bus identifier number.  
 <QString> specifies the data value in the specified valid format. The valid characters are 0, 1, and X for binary format.

**Examples** TRIGger:A:BUS:B1:SPI:DATA:VALue "11011010" sets the data value to  
 11011010.  
 TRIGger:A:BUS:B1:SPI:DATA:VALue? might return  
 :TRIGGER:A:BUS:B1:SPI:DATA:VALUE "XXXXXXXX" indicating  
 the data value is XXXXXXXX.

## TRIGger:{A|B}:BUS:B<x>:SPMI:CONDition

This command sets or queries the trigger condition for the specified SPMI bus.

**Conditions** Requires option SRPM

**Group** Trigger

**Syntax** TRIGger:{A|B}:BUS:B<x>:SPMI:CONDition {SSC|RESet|SLEep|  
 SHUTdown|WAKEup|MASTERREAd|MASTERWRITe|REGREAd|REGWRITe|

DEVICEDESCMASTERREAD|DEVICEDESCSLAVEREAD|EXTREGREAD|  
EXTREGWRITE|LONGEXTREGREAD|LONGEXTREGWRITE|REGWRITE|  
AUTHENTICATE|TRANSFERBUSOWNERSHIP|PARITYERROR}  
TRIGGER:{A|B}:BUS:B<x>:SPMI:CONDITION?

**Arguments**

B<x> is the bus identifier number.

SSC specifies triggering on the Sequence Start Condition.

RESET specifies triggering on the Reset command sequence.

SLEEP specifies triggering on the Sleep command sequence.

SHUTDOWN specifies triggering on the Shutdown command sequence.

WAKEUP specifies triggering on the Wakeup command sequence.

MASTERREAD specifies triggering on the Master Read command sequence.

MASTERWRITE specifies triggering on the Master Write command sequence.

REGREAD specifies triggering on the Register Read command sequence.

REGWRITE specifies triggering on the Register Write command sequence.

DEVICEDESCMASTERREAD specifies triggering on the Device Descriptor Block Master Read command sequence

DEVICEDESCSLAVEREAD specifies triggering on the Device Descriptor Block Slave Read command sequence.

EXTREGREAD specifies triggering on the Extended Register Read command sequence.

EXTREGWRITE specifies triggering on the Extended Register Write command sequence.

LONGEXTREGREAD specifies triggering on the Extended Register Read Long command sequence.

LONGEXTREGWRITE specifies triggering on the Extended Register Write Long command sequence.

REGWRITE specifies triggering on the Register 0 Write command sequence.

AUTHENTICATE specifies triggering on the Authentication command sequence.

TRANSFERBUSOWNERSHIP specifies triggering on the Transfer Bus Ownership (TBO) command sequence.

PARITYERROR specifies triggering on the parity errors.

**Examples**

TRIGGER:A:BUS:B5:SPMI:CONDITION SLEEP specifies triggering on a Sleep command sequence for bus B5.



TRIGGER:A:BUS:B2:SPMI:CONDITION? might return  
:TRIGGER:A:BUS:B2:SPMI:CONDITION MASTERREAD, indicating  
that bus B2 is triggering on Master Read command sequences.

## TRIGger:{A|B}:BUS:B<x>:SPMI:DATA:SIZE

This command sets or queries the length of the data string, in bytes, to be used when triggering on an SPMI bus signal.

|                         |                                                                                                                                                                                                                                                                                                                         |
|-------------------------|-------------------------------------------------------------------------------------------------------------------------------------------------------------------------------------------------------------------------------------------------------------------------------------------------------------------------|
| <b>Conditions</b>       | Requires option SRPM.<br><br>The trigger condition must be set to EXTREGREAd, EXTREGWRItE, LONGEXTREGREAd, or LONGEXTREGWRItE.<br><br>Note that this a floating point value. If the condition is set to REG0WRItE, the query return value will be a fractional value (0.875) because the data size is less than a byte. |
| <b>Group</b>            | Trigger                                                                                                                                                                                                                                                                                                                 |
| <b>Syntax</b>           | TRIGger:{A B}:BUS:B<x>:SPMI:DATA:SIZE <NR2><br>TRIGger:{A B}:BUS:B<x>:SPMI:DATA:SIZE?                                                                                                                                                                                                                                   |
| <b>Related Commands</b> | <a href="#">TRIGger:{A B}:BUS:B&lt;x&gt;:SPMI:CONDition</a><br><a href="#">TRIGger:{A B}:BUS:B&lt;x&gt;:SPMI:DATA:VALue</a>                                                                                                                                                                                             |
| <b>Arguments</b>        | B<x> is the bus identifier number.<br><br><NR2> is the size of the data string in bytes.                                                                                                                                                                                                                                |
| <b>Examples</b>         | TRIGGER:A:BUS:B1:SPMI:DATA:SIZE 1 sets the data value to 1 byte.<br><br>TRIGGER:A:BUS:B1:SPMI:DATA:SIZE? might return<br>:TRIGGER:A:BUS:B1:SPMI:DATA:SIZE 4 to indicate the data<br>pattern has four bytes of data.                                                                                                     |

## TRIGger:{A|B}:BUS:B<x>:SPMI:DATA:VALue

This command sets or queries the binary data string used for SPMI triggering if the trigger condition is MASTERREAd, MASTERWRItE, REGREAd, REGWRItE, EXTREGREAd, EXTREGWRItE, LONGEXTREGREAd, LONGEXTREGWRItE, or REG0WRItE.

|                         |                                                                                                                                                                                                                                                                                                                  |
|-------------------------|------------------------------------------------------------------------------------------------------------------------------------------------------------------------------------------------------------------------------------------------------------------------------------------------------------------|
| <b>Conditions</b>       | Requires option SRPM                                                                                                                                                                                                                                                                                             |
| <b>Group</b>            | Trigger                                                                                                                                                                                                                                                                                                          |
| <b>Syntax</b>           | TRIGger:{A B}:BUS:B<x>:SPMI:DATA:VALue <QString><br>TRIGger:{A B}:BUS:B<x>:SPMI:DATA:VALue?                                                                                                                                                                                                                      |
| <b>Related Commands</b> | <a href="#">TRIGger:{A B}:BUS:B&lt;x&gt;:SPMI:CONDition</a>                                                                                                                                                                                                                                                      |
| <b>Arguments</b>        | B<x> is the bus identifier number.<br><br><QString> is the binary data string that identifies the data value on which to trigger.                                                                                                                                                                                |
| <b>Examples</b>         | TRIGGER:A:BUS:B1:SPMI:DATA:VALUE "XXXXXXXX" sets the binary data value on which to trigger for bus B1 to "don't care."<br><br>TRIGGER:A:BUS:B5:SPMI:DATA:VALUE? might return<br>TRIGGER:A:BUS:B5:SPMI:DATA:VALUE "XXXX1111" to indicate the binary data value on which to trigger for bus B5 is set to XXXX1111. |

## TRIGger:{A|B}:BUS:B<x>:SPMI:MASTERADDRESS:VALue

This command sets or queries the binary data string that identifies the master address used in SPMI triggering if the trigger condition is MASTERREAD, MASTERWRITE, or DEVICEDESCMASTERREAD.

|                         |                                                                                                                                       |
|-------------------------|---------------------------------------------------------------------------------------------------------------------------------------|
| <b>Conditions</b>       | Requires option SRPM                                                                                                                  |
| <b>Group</b>            | Trigger                                                                                                                               |
| <b>Syntax</b>           | TRIGger:{A B}:BUS:B<x>:SPMI:MASTERADDRESS:VALue <QString><br>TRIGger:{A B}:BUS:B<x>:SPMI:MASTERADDRESS:VALue?                         |
| <b>Related Commands</b> | <a href="#">TRIGger:{A B}:BUS:B&lt;x&gt;:SPMI:CONDition</a>                                                                           |
| <b>Arguments</b>        | B<x> is the bus identifier number.<br><br><QString> is the binary data string that identifies the master address on which to trigger. |

**Examples** TRIGGER:A:BUS:B3:SPMI:MASTERADDRESS:VALUE "XX" sets the binary master address trigger of bus B3 to "don't care."

TRIGGER:A:BUS:B1:SPMI:MASTERADDRESS:VALUE? might return TRIGGER:A:BUS:B1:SPMI:MASTERADDRESS:VALUE "11" to indicate the binary master address on which to trigger for bus B1 is set to binary 11.

## TRIGger:{A|B}:BUS:B<x>:SPMI:NOESPonse

This command sets or queries whether or not to trigger on No Response frames.

**Conditions** Requires option SRPM

**Group** Trigger

**Syntax** TRIGger:{A|B}:BUS:B<x>:SPMI:NOESPonse <QString>  
TRIGger:{A|B}:BUS:B<x>:SPMI:NOESPonse?

**Related Commands** [TRIGger:{A|B}:BUS:B<x>:SPMI:CONDition](#)

**Arguments** B<x> is the bus identifier number.  
<QString> is either TRUE or FALSE boolean value.

**Examples** TRIGGER:A:BUS:B4:SPMI:NOESPONSE TRUE set the bus B4 to look for No Response frames.

TRIGGER:A:BUS:B1:SPMI:NOESPONSE? might return  
:TRIGGER:A:BUS:B1:SPMI:NOESPONSE FALSE to indicate that bus B4 is not looking for No Response frames.

## TRIGger:{A|B}:BUS:B<x>:SPMI:REGISTERADDRess:VALue

This command sets or queries the binary data string that identifies the register address used in SPMI triggering if the trigger condition is MASTERREAd, MASTERWRItE, REGREAd, REGWRItE, EXTREGREAd, EXTREGWRItE, LONGEXTREGREAd, or LONGEXTREGWRItE.

**Conditions** Requires option SRPM

**Group** Trigger

|                         |                                                                                                                                                                                                                                                                                                                                       |
|-------------------------|---------------------------------------------------------------------------------------------------------------------------------------------------------------------------------------------------------------------------------------------------------------------------------------------------------------------------------------|
| <b>Syntax</b>           | <pre>TRIGger:{A B}:BUS:B&lt;x&gt;:SPMI:REGISTERADDRESS:VALue &lt;QString&gt; TRIGger:{A B}:BUS:B&lt;x&gt;:SPMI:REGISTERADDRESS:VALue?</pre>                                                                                                                                                                                           |
| <b>Related Commands</b> | <a href="#">TRIGger:{A B}:BUS:B&lt;x&gt;:SPMI:CONDition</a>                                                                                                                                                                                                                                                                           |
| <b>Arguments</b>        | <p>B&lt;x&gt; is the bus identifier number.</p> <p>&lt;QString&gt; is the binary data string that identifies the register address.</p>                                                                                                                                                                                                |
| <b>Examples</b>         | <p>TRIGGER:A:BUS:B2:SPMI:REGISTERADDRESS:VALUE "XXXXXXXX" sets the binary register address of bus B2 to "don't care."</p> <p>TRIGGER:A:BUS:B1:SPMI:REGISTERADDRESS:VALUE? might return TRIGGER:A:BUS:B1:SPMI:REGISTERADDRESS:VALUE "XXXX1111" to indicate the binary register address on which to trigger for bus B1 is XXXX1111.</p> |

## TRIGger:{A|B}:BUS:B<x>:SPMI:SLAVEADDRESS:VALue

This command sets or queries the binary data string that identifies the slave address used in SPMI triggering if the trigger condition is RESet, SLEep, SHUTdown, WAKeup, AUTHenticate, REGREAd, REGWRItE, EXTREGREAd, EXTREGWRItE, LONGEXTREGREAd, LONGEXTREGWRItE, DEVICEDESC SLAVEREAd, or REG0WRItE.

|                         |                                                                                                                                                         |
|-------------------------|---------------------------------------------------------------------------------------------------------------------------------------------------------|
| <b>Conditions</b>       | Requires option SRPM                                                                                                                                    |
| <b>Group</b>            | Trigger                                                                                                                                                 |
| <b>Syntax</b>           | <pre>TRIGger:{A B}:BUS:B&lt;x&gt;:SPMI:SLAVEADDRESS:VALue &lt;QString&gt; TRIGger:{A B}:BUS:B&lt;x&gt;:SPMI:SLAVEADDRESS:VALue?</pre>                   |
| <b>Related Commands</b> | <a href="#">TRIGger:{A B}:BUS:B&lt;x&gt;:SPMI:CONDition</a>                                                                                             |
| <b>Arguments</b>        | <p>B&lt;x&gt; is the bus identifier number.</p> <p>&lt;QString&gt; is the binary data string that identifies the slave address on which to trigger.</p> |
| <b>Examples</b>         | <p>TRIGGER:A:BUS:B1:SPMI:SLAVEADDRESS:VALUE "0011" sets the binary slave address of bus B1 to 0011.</p>                                                 |

:TRIGGER:A:BUS:B4:SPMI:SLAVEADDRESS:VALUE? might return TRIGGER:A:BUS:B4:SPMI:SLAVEADDRESS:VALUE "1010" to indicate that bus B4 is triggering on binary slave address 1010.

## TRIGger:{A|B}:BUS:B<x>:SVID:COMManD:RESPonse

This command sets or queries the command response for SVID bus. The bus number is specified by x.

**Conditions** Requires option SR-SVID.

**Group** Trigger

**Syntax** TRIGger:{A|B}:BUS:B<x>:SVID:COMManD:RESPonse  
 {GETREG| GETREGVENDOR| GETREGTESTCFG| SETVIDFAST|  
 SETVIDSLOW| SETVIDDECAY| SETPS| SETREGADDR| SETREGDATA|  
 SETREGADDRVENDOR| SETREGDATAVENDOR| SETREGADDRTESTCFG|  
 SETREGDATATESTCFG| TESTMODE| SETWP| GETREGPKTRECt|  
 GETREGPKTALERT| GETREGPKTBAD| GETREGVREVENT}  
 TRIGger:{A|B}:BUS:B<x>:SVID:COMManD:RESPonse?

**Arguments** GETREG sets the command response to GetReg. This is the default value.  
 GETREGVENDOR sets the command response to GetRegVendor.  
 GETREGTESTCFG sets the command response to GetRegTestCfg.  
 SETVIDFAST sets the command response to SetVID Fast.  
 SETVIDSLOW sets the command response to SetVID Slow.  
 SETVIDDECAY sets the command response to SetVID Decay.  
 SETPS sets the command response to SetPS.  
 SETREGADDR sets the command response to SetRegAddr.  
 SETREGDATA sets the command response to SetRegData.  
 SETREGADDRVENDOR sets the command response to SetRegAddrVendor.  
 SETREGDATAVENDOR sets the command response to SetRegDataVendor.  
 SETREGADDRTESTCFG sets the command response to SetRegAddrTestCfg.  
 SETREGDATATESTCFG sets the command response to SetRegDataTestCfg.  
 TESTMODE sets the command response to Test Mode.  
 SETWP sets the command response to SetWP.

GETREGPKTRECent sets the command response to GetRegPktRecent.

GETREGPKTALERT sets the command response to GetRegPktAlert.

GETREGPKTBAD sets the command response to GetRegPktBad.

GETREGVREVENT sets the command response to GetRegVrEvent.

**Examples** TRIGGER:A:BUS:B1:SVID:COMMAND:RESPONSE GETREGVENDOR specifies GetRegVendor as the command response within a SVID frame to trigger on.

TRIGGER:A:BUS:B1:SVID:COMMAND:RESPONSE? might return :TRIGGER:A:BUS:B1:SVID:COMMAND:RESPONSE GETREGVENDOR, indicating that GETREGVENDOR is the currently specified command response within a SVID.

## TRIGGER:{A|B}:BUS:B<x>:SVID:COMMAND:TYPE

This command sets or queries the command type for SVID bus. The bus number is specified by x.

**Conditions** Requires option SR-SVID.

**Group** Trigger

**Syntax** TRIGGER:{A|B}:BUS:B<x>:SVID:COMMAND:TYPE {GET|SET|OPTIONAL}  
TRIGGER:{A|B}:BUS:B<x>:SVID:COMMAND:TYPE?

**Arguments** GET sets the command type to get. This is the default value.

SET sets the command type to set.

OPTIONAL sets the command type to optional.

**Examples** TRIGGER:A:BUS:B1:SVID:COMMAND:TYPE GET specifies GET as the command type within a SVID frame to trigger on.

TRIGGER:A:BUS:B1:SVID:COMMAND:TYPE? might return :TRIGGER:A:BUS:B1:SVID:COMMAND:TYPE GET, indicating that GET is the currently specified command type within a SVID frame to trigger on.

## TRIGger:{A|B}:BUS:B<x>:SVID:CONDition

This command sets or queries the trigger condition for a SVID bus to trigger on. The bus number is specified by x.

|                   |                                                                                                                                                                                                                                                                                                                                       |
|-------------------|---------------------------------------------------------------------------------------------------------------------------------------------------------------------------------------------------------------------------------------------------------------------------------------------------------------------------------------|
| <b>Conditions</b> | Requires option SR-SVID.                                                                                                                                                                                                                                                                                                              |
| <b>Group</b>      | Trigger                                                                                                                                                                                                                                                                                                                               |
| <b>Syntax</b>     | TRIGger:{A B}:BUS:B<x>:SVID:CONDition {STARTCONDition SLAVEADDRESS  COMMAND  PAYLoad  ERRors}<br>TRIGger:{A B}:BUS:B<x>:SVID:CONDition?                                                                                                                                                                                               |
| <b>Arguments</b>  | <p>STARTCONDition sets the trigger condition to start condition. This is the default value.</p> <p>SLAVEADDRESS sets the trigger condition to slave address.</p> <p>COMMAND sets the trigger condition to command.</p> <p>PAYLoad sets the trigger condition to payload.</p> <p>ERRors sets the trigger condition to errors.</p>      |
| <b>Examples</b>   | <p>TRIGger:A:BUS:B1:SVID:CONDition SLAVEADDRESS specifies slave address as the field within a SVID frame to trigger on.</p> <p>TRIGger:A:BUS:B1:SVID:CONDition? might return<br/>:TRIGger:A:BUS:B1:SVID:CONDition SLAVEADDRESS, indicating that slave address is the currently specified field within a SVID frame to trigger on.</p> |

## TRIGger:{A|B}:BUS:B<x>:SVID:ERRor:TYPE

This command sets or queries the error type for SVID bus. The bus number is specified by x.

|                   |                                                                                                                 |
|-------------------|-----------------------------------------------------------------------------------------------------------------|
| <b>Conditions</b> | Requires option SR-SVID.                                                                                        |
| <b>Group</b>      | Trigger                                                                                                         |
| <b>Syntax</b>     | TRIGger:{A B}:BUS:B<x>:SVID:ERRor:TYPE {NACK  REJect  MIXed  PARity}<br>TRIGger:{A B}:BUS:B<x>:SVID:ERRor:TYPE? |

|                  |                                                                                                                                                                                                                                                                                                                  |
|------------------|------------------------------------------------------------------------------------------------------------------------------------------------------------------------------------------------------------------------------------------------------------------------------------------------------------------|
| <b>Arguments</b> | <p>NACK sets the error type to nack.</p> <p>REJECT sets the error type to reject.</p> <p>MIXed sets the error type to mixed.</p> <p>PARity sets the error type to parity.</p>                                                                                                                                    |
| <b>Examples</b>  | <p>TRIGger:A:BUS:B1:SVID:ERROR:TYPE NACK specifies NACK as the error type within a SVID frame to trigger on.</p> <p>TRIGger:A:BUS:B1:SVID:ERROR:TYPE? might return<br/>:TRIGger:A:BUS:B1:SVID:ERROR:TYPE NACK, indicating that NACK is the currently specified error type within a SVID frame to trigger on.</p> |

## TRIGger:{A|B}:BUS:B<x>:SVID:PARity:TYPE

This command sets or queries the parity type for SVID bus. The bus number is specified by x.

|                   |                                                                                                                                                                                                                                                                                                                               |
|-------------------|-------------------------------------------------------------------------------------------------------------------------------------------------------------------------------------------------------------------------------------------------------------------------------------------------------------------------------|
| <b>Conditions</b> | Requires option SR-SVID.                                                                                                                                                                                                                                                                                                      |
| <b>Group</b>      | Trigger                                                                                                                                                                                                                                                                                                                       |
| <b>Syntax</b>     | TRIGger:{A B}:BUS:B<x>:SVID:PARity:TYPE {MASTER SLAVE}<br>TRIGger:{A B}:BUS:B<x>:SVID:PARity:TYPE?                                                                                                                                                                                                                            |
| <b>Arguments</b>  | <p>MASTER sets the parity type to master. This is the default value.</p> <p>SLAVE sets the parity type to slave.</p>                                                                                                                                                                                                          |
| <b>Examples</b>   | <p>TRIGger:A:BUS:B1:SVID:PARity:TYPE MASTER specifies MASTER as the parity type within a SVID frame to trigger on.</p> <p>TRIGger:A:BUS:B1:SVID:PARity:TYPE? might return<br/>:TRIGger:A:BUS:B1:SVID:PARity:TYPE MASTER, indicating that MASTER is the currently specified parity type within a SVID frame to trigger on.</p> |

## TRIGger:{A|B}:BUS:B<x>:SVID:PAYLoad:TYPE

This command sets or queries the payload type for SVID bus. The bus number is specified by x.



|                   |                                                                                                                                                                                                                                                                                                                        |
|-------------------|------------------------------------------------------------------------------------------------------------------------------------------------------------------------------------------------------------------------------------------------------------------------------------------------------------------------|
| <b>Conditions</b> | Requires option SR-SVID.                                                                                                                                                                                                                                                                                               |
| <b>Group</b>      | Trigger                                                                                                                                                                                                                                                                                                                |
| <b>Syntax</b>     | TRIGger:{A B}:BUS:B<x>:SVID:PAYLoad:TYPE {MASTER SLAVE}<br>TRIGger:{A B}:BUS:B<x>:SVID:PAYLoad:TYPE?                                                                                                                                                                                                                   |
| <b>Arguments</b>  | MASTer sets the payload type to master. This is the default value.<br>SLAVE sets the payload type to slave.                                                                                                                                                                                                            |
| <b>Examples</b>   | TRIGger:A:BUS:B1:SVID:PAYLoad:TYPE SLAVE specifies SLAVE as the payload type within a SVID frame to trigger on.<br><br>TRIGger:A:BUS:B1:SVID:PAYLoad:TYPE? might return<br>:TRIGger:A:BUS:B1:SVID:PAYLoad:TYPE SLAVE, indicating that SLAVE is the currently specified payload type within a SVID frame to trigger on. |

## TRIGger:{A|B}:BUS:B<x>:SVID:PAYLoad:VALue

This command sets the binary payload value for a SVID bus to trigger on. The bus number is specified by x.

|                   |                                                                                                                                                                                                                                                                                                         |
|-------------------|---------------------------------------------------------------------------------------------------------------------------------------------------------------------------------------------------------------------------------------------------------------------------------------------------------|
| <b>Conditions</b> | Requires option SR-SVID.                                                                                                                                                                                                                                                                                |
| <b>Group</b>      | Trigger                                                                                                                                                                                                                                                                                                 |
| <b>Syntax</b>     | TRIGger:{A B}:BUS:B<x>:SVID:PAYLoad:VALue <QString><br>TRIGger:{A B}:BUS:B<x>:SVID:PAYLoad:VALue?                                                                                                                                                                                                       |
| <b>Arguments</b>  | <QString> sets the binary payload value. Default size and value is 8 bits and "XXXXXXXX" respectively                                                                                                                                                                                                   |
| <b>Examples</b>   | TRIGger:A:BUS:B1:SVID:PAYLoad:VALue "10100010" specifies the binary Payload value used for SVID triggering if the trigger.<br><br>TRIGger:A:BUS:B1:SVID:PAYLoad:VALue? might return<br>:TRIGger:A:BUS:B1:SVID:PAYLoad:VALue "10100010", indicating the Payload value within a SVID frame to trigger on. |

## TRIGger:{A|B}:BUS:B<x>:SVID:SLAVE:ADDRESS

This command sets the binary address of the slave for a SVID bus to trigger on. The bus number is specified by x.

|                   |                                                                                                                                                                                                                                                                                                                                                          |
|-------------------|----------------------------------------------------------------------------------------------------------------------------------------------------------------------------------------------------------------------------------------------------------------------------------------------------------------------------------------------------------|
| <b>Conditions</b> | Requires option SR-SVID.                                                                                                                                                                                                                                                                                                                                 |
| <b>Group</b>      | Trigger                                                                                                                                                                                                                                                                                                                                                  |
| <b>Syntax</b>     | TRIGger:{A B}:BUS:B<x>:SVID:SLAVE:ADDRESS <QString><br>TRIGger:{A B}:BUS:B<x>:SVID:SLAVE:ADDRESS?                                                                                                                                                                                                                                                        |
| <b>Arguments</b>  | <QString> sets the binary payload value. Default size and value is 4 bits and "XXXX" respectively                                                                                                                                                                                                                                                        |
| <b>Examples</b>   | TRIGger:A:BUS:B1:SVID:SLAVE:ADDRESS "1010" specifies the binary Slave Address value used for SVID triggering if the trigger condition is SLAVEADDRESS and sets it to "1010".<br><br>TRIGger:A:BUS:B1:SVID:SLAVE:ADDRESS? might return :TRIGger:A:BUS:B1:SVID:SLAVE:ADDRESS "1010", indicating the Slave Address value within a SVID frame to trigger on. |

## TRIGger:{A|B}:BUS:B<x>:USB:ADDRESS:HIVALue

This command specifies the binary address string for the upper limit for inside-of-range and outside-of-range qualifiers for the USB trigger. Use the command [TRIGger:{A|B}:BUS:B<x>:USB:ADDRESS:VALue](#) to set the lower limit. The bus number is specified by x.

|                         |                                                                                                                              |
|-------------------------|------------------------------------------------------------------------------------------------------------------------------|
| <b>Conditions</b>       | Requires option 5-SRUSB2 or SUP5-SRUSB2 Triggering and Analysis application.                                                 |
| <b>Group</b>            | Trigger                                                                                                                      |
| <b>Syntax</b>           | TRIGger:{A B}:BUS:B<x>:USB:ADDRESS:HIVALue <QString><br>TRIGger:{A B}:BUS:B<x>:USB:ADDRESS:HIVALue?                          |
| <b>Related Commands</b> | <a href="#">TRIGger:{A B}:BUS:B&lt;x&gt;:USB:CONDition</a><br><a href="#">TRIGger:{A B}:BUS:B&lt;x&gt;:USB:ADDRESS:VALue</a> |

|                  |                                                                                                                                                                                                                                                                      |
|------------------|----------------------------------------------------------------------------------------------------------------------------------------------------------------------------------------------------------------------------------------------------------------------|
| <b>Arguments</b> | B<x> is the bus identifier number.<br><br><QString> within the range 0000000 to 1111111 (00 hex to 7F hex).                                                                                                                                                          |
| <b>Examples</b>  | TRIGGER:A:BUS:B1:USB:ADDRESS:HIVALUE "0001000" sets the upper limit to binary 0001000 (08 hex).<br><br>TRIGGER:A:BUS:B1:USB:ADDRESS:HIVALUE? might return :TRIGGER:A:BUS:B1:USB:ADDRESS:HIVALUE "1111111", which indicates that the upper limit is 1111111 (7F hex). |

## TRIGger:{A|B}:BUS:B<x>:USB:ADDReSS:VALue

This command specifies the binary address string to be used for USB trigger. The trigger condition must be set to TOKEN. The bus number is specified by x.

**Conditions** Requires option 5-SRUSB2 or SUP5-SRUSB2 Triggering and Analysis application.

**Group** Trigger

**Syntax** TRIGger:{A|B}:BUS:B<x>:USB:ADDReSS:VALue <QString>  
TRIGger:{A|B}:BUS:B<x>:USB:ADDReSS:VALue?

**Related Commands** [TRIGger:{A|B}:BUS:B<x>:USB:CONDition](#)

**Arguments** B<x> is the bus identifier number.  
  
<QString> within the range 0000000 to 1111111 (00 hex to 7F hex).

**Examples** TRIGGER:A:BUS:B1:USB:ADDRESS:VALUE "0001000" sets the binary address to 0001000 (08 hex).  
  
TRIGGER:A:BUS:B1:USB:ADDRESS:VALUE? might return :TRIGGER:A:BUS:B1:USB:ADDRESS:VALUE "1000000", which indicates that the binary address is 100000 (40 hex).

## TRIGger:{A|B}:BUS:B<x>:USB:CONDition

This command specifies the trigger condition for the USB trigger. The bus number is specified by x.

|                   |                                                                                                                                                                                                                                                                                                                                                                                                                                                                                                                                                                                                               |
|-------------------|---------------------------------------------------------------------------------------------------------------------------------------------------------------------------------------------------------------------------------------------------------------------------------------------------------------------------------------------------------------------------------------------------------------------------------------------------------------------------------------------------------------------------------------------------------------------------------------------------------------|
| <b>Conditions</b> | Requires option 5-SRUSB2 or SUP5-SRUSB2 Triggering and Analysis application.                                                                                                                                                                                                                                                                                                                                                                                                                                                                                                                                  |
| <b>Group</b>      | Trigger                                                                                                                                                                                                                                                                                                                                                                                                                                                                                                                                                                                                       |
| <b>Syntax</b>     | <p>TRIGger:{A B}:BUS:B&lt;x&gt;:USB:CONDition<br/>         {SYNC RESET SUSPEND RESUME EOP TOKENPacket DATAPacket HANDSHAKEPacket SPECIALPacket ERROR}</p> <p>TRIGger:{A B}:BUS:B&lt;x&gt;:USB:CONDition?</p>                                                                                                                                                                                                                                                                                                                                                                                                  |
| <b>Arguments</b>  | <p>SYNC indicates triggering on a Sync field of a packet.</p> <p>RESET sets triggering on a reset condition.</p> <p>SUSPEND sets triggering on a suspend condition.</p> <p>RESUME sets triggering on a resume condition.</p> <p>EOP indicates triggering on an end-of-packet signal.</p> <p>TOKENPacket indicates triggering on a token packet.</p> <p>DATAPacket indicates triggering on a data packet</p> <p>HANDSHAKEPacket indicates triggering on a handshake packet.</p> <p>SPECIALPacket indicates triggering on a special status packet.</p> <p>ERROR indicates triggering on an error condition.</p> |
| <b>Examples</b>   | <p>TRIGGER:A:BUS:B1:USB:CONDITION TOKENPACKET sets the trigger condition to be a token packet.</p> <p>TRIGGER:A:BUS:B1:USB:CONDITION? might return<br/>         :TRIGGER:A:BUS:B1:USB:CONDITION SYNC, which indicates that the trigger condition is a sync field.</p>                                                                                                                                                                                                                                                                                                                                         |

## TRIGger:{A|B}:BUS:B<x>:USB:DATA:HIVALue

This command specifies the binary data string for the upper limit for inside-of-range and outside-of-range qualifiers for the USB trigger when the trigger condition is DATA. Use the command [TRIGger:{A|B}:BUS:B<x>:USB:DATA:VALue](#) to set the lower limit. The bus number is specified by x.

|                   |                                                                              |
|-------------------|------------------------------------------------------------------------------|
| <b>Conditions</b> | Requires option 5-SRUSB2 or SUP5-SRUSB2 Triggering and Analysis application. |
|-------------------|------------------------------------------------------------------------------|

|                         |                                                                                                                                                                                                                                                                        |
|-------------------------|------------------------------------------------------------------------------------------------------------------------------------------------------------------------------------------------------------------------------------------------------------------------|
| <b>Group</b>            | Trigger                                                                                                                                                                                                                                                                |
| <b>Syntax</b>           | <pre>TRIGger:{A B}:BUS:B&lt;x&gt;:USB:DATA:HIVALue &lt;QString&gt; TRIGger:{A B}:BUS:B&lt;x&gt;:USB:DATA:HIVALue?</pre>                                                                                                                                                |
| <b>Related Commands</b> | <p><a href="#">TRIGger:{A B}:BUS:B&lt;x&gt;:USB:CONDition</a></p> <p><a href="#">TRIGger:{A B}:BUS:B&lt;x&gt;:USB:DATA:VALue</a></p>                                                                                                                                   |
| <b>Arguments</b>        | <QString> within the range 00000000 to 11111111 (00 hex to FF hex).                                                                                                                                                                                                    |
| <b>Examples</b>         | <p>TRIGGER:A:BUS:B1:USB:DATA:HIVALUE "00001000" sets the upper limit to binary 00001000 (08 hex).</p> <p>TRIGGER:A:BUS:B1:USB:DATA:HIVALUE? might return :TRIGGER:A:BUS:B1:USB:DATA:HIVALUE "01111111", which indicates that the upper limit is 01111111 (7F hex).</p> |

## TRIGger:{A|B}:BUS:B<x>:USB:DATA:OFFSet

This command specifies the data offset in bytes to trigger on. The bus number is specified by x.

|                         |                                                                                                                                                                                                                            |
|-------------------------|----------------------------------------------------------------------------------------------------------------------------------------------------------------------------------------------------------------------------|
| <b>Conditions</b>       | Requires option 5-SRUSB2 or SUP5-SRUSB2 Triggering and Analysis application.                                                                                                                                               |
| <b>Group</b>            | Trigger                                                                                                                                                                                                                    |
| <b>Syntax</b>           | <pre>TRIGger:{A B}:BUS:B&lt;x&gt;:USB:DATA:OFFSet &lt;NR1&gt; TRIGger:{A B}:BUS:B&lt;x&gt;:USB:DATA:OFFSet?</pre>                                                                                                          |
| <b>Related Commands</b> | <a href="#">TRIGger:{A B}:BUS:B&lt;x&gt;:USB:CONDition</a>                                                                                                                                                                 |
| <b>Arguments</b>        | <NR1> is number in the range 0 to 1024.                                                                                                                                                                                    |
| <b>Examples</b>         | <p>TRIGGER:A:BUS:B1:USB:DATA:OFFSET 36 sets the data offset to 36.</p> <p>TRIGGER:A:BUS:B1:USB:DATA:OFFSET? might return :TRIGGER:A:BUS:B1:USB:DATA:OFFSET 0, indicating that the data offset is the default value, 0.</p> |

## TRIGger:{A|B}:BUS:B<x>:USB:DATA:QUALifier

This command sets the qualifier to be used when triggering on a USB bus signal. The trigger condition must be set to DATAPACKET. The bus number is specified by x.

|                   |                                                                                                                                                                                                                                                                                                                                                                                                                                                                           |
|-------------------|---------------------------------------------------------------------------------------------------------------------------------------------------------------------------------------------------------------------------------------------------------------------------------------------------------------------------------------------------------------------------------------------------------------------------------------------------------------------------|
| <b>Conditions</b> | Requires option 5-SRUSB2 or SUP5-SRUSB2 Triggering and Analysis application.                                                                                                                                                                                                                                                                                                                                                                                              |
| <b>Group</b>      | Trigger                                                                                                                                                                                                                                                                                                                                                                                                                                                                   |
| <b>Syntax</b>     | TRIGger:{A B}:BUS:B<x>:USB:DATA:QUALifier {Equal UNEQUAL LESSThan MOREthan LESSEQUAL MOREEQUAL INrange OUTrange}<br>TRIGger:{A B}:BUS:B<x>:USB:DATA:QUALifier?                                                                                                                                                                                                                                                                                                            |
| <b>Arguments</b>  | <p>Equal specifies the qualifier as Equal.</p> <p>INrange specifies the qualifier as Inside Range.</p> <p>LESSEQUAL specifies the qualifier as Less Than or Equal to.</p> <p>MOREEQUAL specifies the qualifier as More Than or Equal to.</p> <p>OUTrange specifies the qualifier as Out of Range.</p> <p>UNEQUAL specifies the qualifier as Not Equal to.</p> <p>LESSThan specifies the qualifier as Less Than.</p> <p>MOREthan specifies the qualifier as More Than.</p> |
| <b>Examples</b>   | <p>TRIGger:A:BUS:B1:USB:DATA:QUALifier LESSTHAN sets the qualifier to less than.</p> <p>TRIGger:A:BUS:B1:USB:DATA:QUALifier? might return<br/>:TRIGGER:A:BUS:B1:USB:DATA:QUALIFIER EQUAL indicating the qualifier is set to equal.</p>                                                                                                                                                                                                                                    |

## TRIGger:{A|B}:BUS:B<x>:USB:DATA:SIZE

This command specifies the number of contiguous data bytes to trigger on. The bus number is specified by x.

|                   |                                                                              |
|-------------------|------------------------------------------------------------------------------|
| <b>Conditions</b> | Requires option 5-SRUSB2 or SUP5-SRUSB2 Triggering and Analysis application. |
|-------------------|------------------------------------------------------------------------------|

|                  |                                                                                                                                                                                                                                                                         |
|------------------|-------------------------------------------------------------------------------------------------------------------------------------------------------------------------------------------------------------------------------------------------------------------------|
| <b>Group</b>     | Trigger                                                                                                                                                                                                                                                                 |
| <b>Syntax</b>    | <pre>TRIGger:{A B}:BUS:B&lt;x&gt;:USB:DATA:SIZE &lt;NR1&gt; TRIGger:{A B}:BUS:B&lt;x&gt;:USB:DATA:SIZE?</pre>                                                                                                                                                           |
| <b>Arguments</b> | <NR1> is number in the range 1 to 16.                                                                                                                                                                                                                                   |
| <b>Examples</b>  | <p>TRIGGER:A:BUS:B1:USB:DATA:SIZE 4 sets the instrument to trigger on four contiguous data bytes.</p> <p>TRIGGER:A:BUS:B1:USB:DATA:SIZE? might return<br/>:TRIGGER:A:BUS:B1:USB:DATA:SIZE 6 indicating that the instrument will trigger on 6 contiguous data bytes.</p> |

## TRIGger:{A|B}:BUS:B<x>:USB:DATA:TYPE

This command specifies the data type for a USB trigger. The bus number is specified by x.

|                         |                                                                                                                                                                                                                                                                                                          |
|-------------------------|----------------------------------------------------------------------------------------------------------------------------------------------------------------------------------------------------------------------------------------------------------------------------------------------------------|
| <b>Conditions</b>       | Requires option 5-SRUSB2 or SUP5-SRUSB2 Triggering and Analysis application.                                                                                                                                                                                                                             |
| <b>Group</b>            | Trigger                                                                                                                                                                                                                                                                                                  |
| <b>Syntax</b>           | <pre>TRIGger:{A B}:BUS:B&lt;x&gt;:USB:DATA:TYPE {ANY DATA0 DATA1 DATA2 MDATA} TRIGger:{A B}:BUS:B&lt;x&gt;:USB:DATA:TYPE?</pre>                                                                                                                                                                          |
| <b>Related Commands</b> | <a href="#">TRIGger:{A B}:BUS:B&lt;x&gt;:USB:CONDition</a>                                                                                                                                                                                                                                               |
| <b>Arguments</b>        | <p>ANY indicates either a DATA0 or DATA1 data packet type.</p> <p>DATA0 indicates a DATA0 data packet type.</p> <p>DATA1 indicates a DATA1 data packet type.</p> <p>DATA2 indicates a DATA2 data packet type when on HIGH speed.</p> <p>MDATA indicates a MDATA data packet type when on HIGH speed.</p> |
| <b>Examples</b>         | TRIGGER:A:BUS:B1:USB:DATA:TYPE DATA0 sets the instrument to trigger on a DATA0 data packet type.                                                                                                                                                                                                         |

TRIGGER:A:BUS:B1:USB:DATA:TYPE? might return  
:TRIGGER:A:BUS:B1:USB:DATA:TYPE DATA1, indicating that the data packet  
type is set to DATA1.

## TRIGger:{A|B}:BUS:B<x>:USB:DATA:VALue

This command specifies the binary data string to be used when triggering on a  
USB trigger.

**Conditions** Requires option 5-SRUSB2 or SUP5-SRUSB2 Triggering and Analysis  
application.

**Group** Trigger

**Syntax** TRIGger:{A|B}:BUS:B<x>:USB:DATA:VALue <QString>  
TRIGger:{A|B}:BUS:B<x>:USB:DATA:VALue?

**Related Commands** [TRIGger:{A|B}:BUS:B<x>:USB:CONDition](#)

**Arguments** <QString> within the range 00000000 to 11111111 (00 hex to FF hex).

**Examples** TRIGGER:A:BUS:B1:USB:DATA:VALUE "00001000" sets the binary address  
to 00001000 (08 hex).

TRIGGER:A:BUS:B1:USB:DATA:VALUE? might return  
:TRIGGER:A:BUS:B1:USB:DATA:VALUE "01000000", which  
indicates that the binary address is 01000000 (40 hex).

## TRIGger:{A|B}:BUS:B<x>:USB:ENDPoint:VALue

This command specifies the binary endpoint string to be used for the USB trigger.  
The bus number is specified by x.

**Conditions** Requires option 5-SRUSB2 or SUP5-SRUSB2 Triggering and Analysis  
application.

**Group** Trigger



**Syntax** TRIGger:{A|B}:BUS:B<x>:USB:ENDPoint:VALue <QString>  
 TRIGger:{A|B}:BUS:B<x>:USB:ENDPoint:VALue?

**Related Commands** [TRIGger:{A|B}:BUS:B<x>:USB:CONDition](#)

**Arguments** <QString> within the range 0000 to 1111 (00 hex to 0F hex).

**Examples** TRIGGER:A:BUS:B1:USB:ENDPOINT:VALUE "1000" sets the binary address to 1000 (08 hex).

TRIGGER:A:BUS:B1:USB:ENDPOINT:VALUE? might return  
 :TRIGGER:A:BUS:B1:USB:ENDPOINT:VALUE "1001", which indicates that the binary address is 1001 (09 hex).

## TRIGger:{A|B}:BUS:B<x>:USB:ERRType

This command specifies the error type to be used when the trigger condition is set to ERRor. The bus number is specified by x.

**Conditions** Requires option 5-SRUSB2 or SUP5-SRUSB2 Triggering and Analysis application.

**Group** Trigger

**Syntax** TRIGger:{A|B}:BUS:B<x>:USB:ERRType  
 {PID|CRC5|CRC16|BITSTUFFing}  
 TRIGger:{A|B}:BUS:B<x>:USB:ERRType?

**Related Commands** [TRIGger:{A|B}:BUS:B<x>:USB:CONDition](#)

**Arguments** PID indicates the error type is set to packet ID.  
 CRC5 indicates the error type is set to 5-bit CRC.  
 CRC16 indicates the error type is set to 16-bit CRC.  
 BITSTUFFing indicates the error type is set to bit stuffing.

**Examples** TRIGGER:A:BUS:B1:USB:ERRTYPE PID sets the error trigger condition to packet ID.

TRIGGER:A:BUS:B1:USB:ERRTYPE? might return  
:TRIGGER:A:BUS:B1:USB:TYPE PID, indicating the error trigger condition is  
packet ID.

## TRIGger:{A|B}:BUS:B<x>:USB:HANDSHAKEType

This command specifies the handshake type for the USB trigger. The bus number is specified by x.

**Conditions** Requires option 5-SRUSB2 or SUP5-SRUSB2 Triggering and Analysis application.

**Group** Trigger

**Syntax** TRIGger: {A|B}:BUS:B<x>:USB:HANDSHAKEType  
{ANY|NAK|ACK|STALL|NYET}  
TRIGger: {A|B}:BUS:B<x>:USB:HANDSHAKEType?

**Related Commands** [TRIGger: {A|B}:BUS:B<x>:USB:CONDition](#)

**Arguments** ANY indicates the instrument will trigger on any handshake type.  
NAK indicates the instrument will trigger when a device cannot send or receive data.  
ACK indicates the instrument will trigger when a packet is successfully received.  
STALL indicates the instrument will trigger when a device requires intervention from the host.  
NYET specifies the handshake type as No response Yet (0110).

**Examples** TRIGGER:A:BUS:B1:USB:HANDSHAKETYPE ACK sets the handshake type to acknowledgement.

TRIGGER:A:BUS:B1:USB:HANDSHAKETYPE? might return  
:TRIGGER:A:BUS:B1:USB:HANDSHAKETYPE STALL, indicating that  
the handshake type is set to stall.

## TRIGger:{A|B}:BUS:B<x>:USB:SOFFRAMENUMber

This command specifies the binary data string to be used for start of frame number, when the trigger condition is Token Packet and the token type is Start of Frame. The bus number is specified by x.

|                         |                                                                                                                                                                                                                                                                                                  |
|-------------------------|--------------------------------------------------------------------------------------------------------------------------------------------------------------------------------------------------------------------------------------------------------------------------------------------------|
| <b>Conditions</b>       | Requires option 5-SRUSB2 or SUP5-SRUSB2 Triggering and Analysis application.                                                                                                                                                                                                                     |
| <b>Group</b>            | Trigger                                                                                                                                                                                                                                                                                          |
| <b>Syntax</b>           | TRIGger:{A B}:BUS:B<x>:USB:SOFFRAMENUMBER <QString><br>TRIGger:{A B}:BUS:B<x>:USB:SOFFRAMENUMBER?                                                                                                                                                                                                |
| <b>Related Commands</b> | <a href="#">TRIGger:{A B}:BUS:B&lt;x&gt;:USB:CONDition</a>                                                                                                                                                                                                                                       |
| <b>Arguments</b>        | <QString> within the range 000 0000 0000 to 111 1111 1111 (000 hex to 7FF hex).                                                                                                                                                                                                                  |
| <b>Examples</b>         | TRIGGER:A:BUS:B1:USB:SOFFRAMENUMBER "00000001000" sets the start of frame number to 00000001000 (008 hex).<br><br>TRIGGER:A:BUS:B1:USB:SOFFRAMENUMBER? might return :TRIGGER:A:BUS:B1:USB:SOFFRAMENUMBER "00000001001", which indicates that the start of frame number is 00000001001 (009 hex). |

## TRIGger:{A|B}:BUS:B<x>:USB:SPECIALType

This command specifies the packet ID (PID) for the special packet. The bus number is specified by x.

|                         |                                                                                                                                            |
|-------------------------|--------------------------------------------------------------------------------------------------------------------------------------------|
| <b>Conditions</b>       | Requires option 5-SRUSB2 or SUP5-SRUSB2 Triggering and Analysis application.                                                               |
| <b>Group</b>            | Trigger                                                                                                                                    |
| <b>Syntax</b>           | TRIGger:{A B}:BUS:B<x>:USB:SPECIALType<br>{ANY ERROR PING PREAmble RESERVED SPLit}<br>TRIGger:{A B}:BUS:B<x>:USB:SPECIALType?              |
| <b>Related Commands</b> | <a href="#">TRIGger:{A B}:BUS:B&lt;x&gt;:USB:CONDition</a>                                                                                 |
| <b>Arguments</b>        | ANY specifies the PID value as Any (XX00).<br>ERROR specifies the PID value as ERR (1100).<br>PING specifies the PID value as PING (0100). |

**PREAmble** specifies the PID value as PRE (1100).

**RESERVED** specifies the PID value as Reserved (0000).

**SPLit** specifies the PID value as Split (1000).

**Examples** `TRIGGER:A:BUS1:USB:SPECIALTYPE PREAMBLE` sets the special packet type to preamble.

`TRIGGER:A:BUS1:USB:SPECIALTYPE?` might return `:TRIGGER:A:BUS1:USB:SPECIALTYPE PREAMBLE`, indicating that the special type is set to preamble.

## **TRIGger:{A|B}:BUS:B<x>:USB:SPLit:ET:VALue**

When triggering on a high-speed USB split transaction, this command specifies the split transaction endpoint type value to trigger on. The bus number is specified by x.

**Conditions** Requires option 5-SRUSB2 or SUP5-SRUSB2 Triggering and Analysis application.

**Group** Trigger

**Syntax** `TRIGger:{A|B}:BUS:B<x>:USB:SPLit:ET:VALue`  
`{NOCARE|CONTRo1|ISOchronous|BULK|INTERRUPT}`  
`TRIGger:{A|B}:BUS:B<x>:USB:SPLit:ET:VALue?`

**Related Commands** [TRIGger:{A|B}:BUS:B<x>:USB:SPECIALType](#)

**Arguments** `NOCARE` — any endpoint type.  
`CONTRo1` — control endpoint type.  
`ISOchronous` — isochronous endpoint type.  
`BULK` — bulk endpoint type (BULK-IN or BULK-OUT).  
`INTERRUPT` — interrupt endpoint type (Interrupt-IN).

**Examples** `TRIGger:A:BUS:B1:USB:SPLit:ET:VALue iso` sets the endpoint type to trigger on to isochronous.

`TRIGger:A:BUS:B1:USB:SPLit:ET:VALue?` might return `BULK`, indicating that the bulk endpoint type has been specified to trigger on.

**TRIGger:{A|B}:BUS:B<x>:USB:SPLit:HUB:VALue**

When triggering on a high-speed USB split transaction, this command specifies the split transaction hub address value to trigger on. The trigger condition must be set to Special with packet type SPLIT. The value can be up to 7 characters long. The default is all X's (don't care). The bus number is specified by x.

**Conditions** Requires option 5-SRUSB2 or SUP5-SRUSB2 Triggering and Analysis application.

**Group** Trigger

**Syntax** TRIGger:{A|B}:BUS:B<x>:USB:SPLit:HUB:VALue <QString>  
TRIGger:{A|B}:BUS:B<x>:USB:SPLit:HUB:VALue?

**Related Commands** [TRIGger:{A|B}:BUS:B<x>:USB:SPECIALType](#)

**Arguments** <QString> is a quoted string of up to 7 characters. The valid characters are 0 and 1.

**Examples** TRIGger:A:BUS:B1:USB:SPLit:HUB:VALue "001010" sets the split transaction hub address to trigger on to 001010.

TRIGger:A:BUS:B1:USB:SPLit:HUB:VALue? might return XXXXXXXX, indicating that the hub address value to trigger on doesn't matter.

**TRIGger:{A|B}:BUS:B<x>:USB:SPLit:PORT:VALue**

When triggering on a high-speed USB split transaction, this command specifies the split transaction port address value to trigger on. The trigger condition must be set to Special with a packet type SPLIT. The value can be up to 7 characters long. The default is all X's (don't care). The bus number is specified by x.

**Conditions** Requires option 5-SRUSB2 or SUP5-SRUSB2 Triggering and Analysis application.

**Group** Trigger

**Syntax** TRIGger:{A|B}:BUS:B<x>:USB:SPLit:PORT:VALue <QString>  
TRIGger:{A|B}:BUS:B<x>:USB:SPLit:PORT:VALue?

|                         |                                                                                                                                                                                                                                                                |
|-------------------------|----------------------------------------------------------------------------------------------------------------------------------------------------------------------------------------------------------------------------------------------------------------|
| <b>Related Commands</b> | <a href="#">TRIGger:{A B}:BUS:B&lt;x&gt;:USB:SPECIALType</a>                                                                                                                                                                                                   |
| <b>Arguments</b>        | <QString> is a quoted string of up to 7 characters. The valid characters are 0 and 1.                                                                                                                                                                          |
| <b>Examples</b>         | <p>TRIGger:A:BUS:B1:USB:SPLit:PORT:VALue "001010" sets the split transaction hub address to trigger on to 001010.</p> <p>TRIGger:A:BUS:B1:USB:SPLit:PORT:VALue? might return XXXXXXXX, indicating that the hub address value to trigger on doesn't matter.</p> |

## TRIGger:{A|B}:BUS:B<x>:USB:SPLit:SC:VALue

When triggering on a high-speed USB split transaction, this command specifies whether to trigger on the start or complete phase of the split transaction, based on the Start/Complete bit field value. (0 = Start, 1 = Complete). The default is NOCARE. The bus number is specified by x.

|                         |                                                                                                                                                                                                                                                                                                      |
|-------------------------|------------------------------------------------------------------------------------------------------------------------------------------------------------------------------------------------------------------------------------------------------------------------------------------------------|
| <b>Conditions</b>       | Requires option 5-SRUSB2 or SUP5-SRUSB2 Triggering and Analysis application.                                                                                                                                                                                                                         |
| <b>Group</b>            | Trigger                                                                                                                                                                                                                                                                                              |
| <b>Syntax</b>           | <pre>TRIGger:{A B}:BUS:B&lt;x&gt;:USB:SPLit:SC:VALue {NOCARE SSPLIT CSPLIT} TRIGger:{A B}:BUS:B&lt;x&gt;:USB:SPLit:SC:VALue?</pre>                                                                                                                                                                   |
| <b>Related Commands</b> | <a href="#">TRIGger:{A B}:BUS:B&lt;x&gt;:USB:SPECIALType</a>                                                                                                                                                                                                                                         |
| <b>Arguments</b>        | <p>NOCARE — trigger on either the start or complete phase of the split transaction.</p> <p>SSPLIT — trigger on the start phase of the split transaction.</p> <p>CSPLIT — trigger on the complete phase of the split transaction.</p>                                                                 |
| <b>Examples</b>         | <p>TRIGger:A:BUS:B1:USB:SPLit:SC:VALue SSPLIT specifies to trigger on the start phase of the split transaction.</p> <p>TRIGger:A:BUS:B1:USB:SPLit:SC:VALue? might indicate NOCARE, specifying that it doesn't matter whether to trigger on the start or complete phase of the split transaction.</p> |

## TRIGger:{A|B}:BUS:B<x>:USB:SPLit:SE:VALue

When triggering on a high-speed USB split transaction, this command specifies the split transaction start/end bit value to trigger on. The bus number is specified by x.

---

**NOTE.** *The start and end bits are interpreted based on the type of split transaction:*

*For Interrupt and control transactions, the S bit means Speed: 0 = Full Speed, 1 = Low Speed.*

*For bulk IN/OUT and isochronous IN start-split transactions, the S field must be 0.*

*For bulk/control IN/OUT, interrupt IN/OUT, and isochronous IN start-split transactions, the E field must be 0.*

*For full-speed isochronous OUT start-split transactions, the S (Start) and E (End) fields specify how the high-speed data payload corresponds to data for a full-speed data packet as shown below:*

*S E High-speed to Full-speed Data Relation*

*0 0 High-speed data is the middle of the full-speed data payload.*

*0 1 High-speed data is the end of the full-speed data payload.*

*1 0 High-speed data is the beginning of the full-speed data payload.*

*1 1 High-speed data is all of the full speed data payload.*

---

|                         |                                                                                                                                                        |
|-------------------------|--------------------------------------------------------------------------------------------------------------------------------------------------------|
| <b>Conditions</b>       | Requires option 5-SRUSB2 or SUP5-SRUSB2 Triggering and Analysis application.                                                                           |
| <b>Group</b>            | Trigger                                                                                                                                                |
| <b>Syntax</b>           | TRIGger:{A B}:BUS:B<x>:USB:SPLit:SE:VALue<br>{NOCARE FULLSPEED LOWSPEED ISOSTART ISOMID ISOEND ISOALL}<br>TRIGger:{A B}:BUS:B<x>:USB:SPLit:SE:VALue?   |
| <b>Related Commands</b> | <a href="#">TRIGger:{A B}:BUS:B&lt;x&gt;:USB:SPECIALType</a>                                                                                           |
| <b>Arguments</b>        | NOCARE — any combination of S and E bits.<br>FULLSPEED — S bit = 0, E bit = 0.<br>LOWSPEED — S bit = 1, E bit = 0.<br>ISOSTART — S bit = 1, E bit = 0. |

ISOMID — see note above.

ISOEND — see note above.

ISOALL — see note above.

**Examples** TRIGger:A:BUS:B1:USB:SPLit:SE:VALue ISOEND specifies to trigger on the ISOEND split transaction value.

TRIGger:A:BUS:B1:USB:SPLit:SE:VALue? might return FULLSPEED.

## TRIGger:{A|B}:BUS:B<x>:USB:TOKENType

This command specifies the token type for the USB trigger. The bus number is specified by x.

**Conditions** Requires option 5-SRUSB2 or SUP5-SRUSB2 Triggering and Analysis application.

**Group** Trigger

**Syntax** TRIGger:{A|B}:BUS:B<x>:USB:TOKENType {ANY|SOF|OUT|IN|SETUP}  
TRIGger:{A|B}:BUS:B<x>:USB:TOKENType?

**Related Commands** [TRIGger:{A|B}:BUS:B<x>:USB:CONDition](#)

**Arguments** ANY indicates any of the token types.  
SOF indicates a SOF (start-of-frame) token type  
OUT indicates an OUT token type.  
IN indicates an IN token type.  
SETUP indicates a SETUP token type.

**Examples** TRIGGER:A:BUS:B1:USB:TOKENTYPE SETUP sets the token type to SETUP.

TRIGGER:A:BUS:B1:USB:TOKENTYPE? might return  
:TRIGGER:A:BUS:B1:USB:TOKENTYPE SOF if the token type is SOF.

## TRIGger:{A|B}:BUS:SOURce

This command sets or queries the source bus for a bus trigger.



|                  |                                                                                                                                                                                                                        |
|------------------|------------------------------------------------------------------------------------------------------------------------------------------------------------------------------------------------------------------------|
| <b>Group</b>     | Trigger                                                                                                                                                                                                                |
| <b>Syntax</b>    | TRIGger:{A B}:BUS:SOURce B<x><br>TRIGger:{A B}:BUS:SOURce?                                                                                                                                                             |
| <b>Arguments</b> | B<x> sets the selected source to the bus.                                                                                                                                                                              |
| <b>Examples</b>  | TRIGGER:A:BUS:SOURCE B2 sets the selected source for the bus trigger to Bus 2.<br>TRIGGER:A:BUS:SOURCE? might return TRIGGER:A:BUS:SOURCE B1, indicating that the selected source for the bus trigger is set to Bus 1. |

## TRIGger:{A|B}:EDGE:COUPling

This command sets or queries the type of coupling for the edge trigger. This command is equivalent to selecting Edge from the Trigger Type drop-down in the Trigger setup context menu, and choosing from the Coupling drop-down list.

|                         |                                                                                                                                                                                                                                                                                                                                                                                                                                                                                                                          |
|-------------------------|--------------------------------------------------------------------------------------------------------------------------------------------------------------------------------------------------------------------------------------------------------------------------------------------------------------------------------------------------------------------------------------------------------------------------------------------------------------------------------------------------------------------------|
| <b>Group</b>            | Trigger                                                                                                                                                                                                                                                                                                                                                                                                                                                                                                                  |
| <b>Syntax</b>           | TRIGger:{A B}:EDGE:COUPling {DC HFRej LFRej NOISerej}<br>TRIGger:{A B}:EDGE:COUPling?                                                                                                                                                                                                                                                                                                                                                                                                                                    |
| <b>Related Commands</b> | <a href="#">TRIGger:{A B}:EDGE:SOURce</a><br><a href="#">TRIGger:{A B}:EDGE:SLOpe</a>                                                                                                                                                                                                                                                                                                                                                                                                                                    |
| <b>Arguments</b>        | DC selects DC trigger coupling, which passes all input signals to the trigger circuitry.<br><br>HFRej coupling attenuates signals above 50 kHz before passing the signals to the trigger circuitry.<br><br>LFRej coupling attenuates signals below 80 kHz before passing the signals to the trigger circuitry.<br><br>NOISerej coupling provides stable triggering by increasing the trigger hysteresis. Increased hysteresis reduces the trigger sensitivity to noise but can require greater trigger signal amplitude. |

**Examples** TRIGGER:A:EDGE:COUPLING DC sets the A edge trigger coupling to DC.  
TRIGGER:A:EDGE:COUPLING? might return :TRIGGER:A:EDGE:COUPLING DC, indicating that the A edge trigger coupling is set to DC.

## TRIGger:{A|B}:EDGE:SLOpe

This command sets or queries the slope for the edge trigger. This command is equivalent to selecting Edge from the Trigger Type drop-down in the Trigger setup context menu, and then choosing the desired Slope. This command is also equivalent to pressing the front-panel Slope button.

**Group** Trigger

**Syntax** TRIGger:{A|B}:EDGE:SLOpe {RISe|FALL|EITHer}  
TRIGger:{A|B}:EDGE:SLOpe?

**Related Commands** [TRIGger:{A|B}:EDGE:SOUrce](#)  
[TRIGger:{A|B}:EDGE:COUPling](#)  
[TRIGger:B:STATE](#)

**Arguments** RISe specifies to trigger on the rising or positive edge of a signal.  
FALL specifies to trigger on the falling or negative edge of a signal.  
EITHer specifies to trigger on either the rising or falling edge of a signal.

**Examples** TRIGGER:A:EDGE:SLOPE RISE sets the A edge trigger slope to positive, which triggers on the rising edge of the signal.  
TRIGGER:A:EDGE:SLOPE? might return :TRIGGER:A:EDGE:SLOPE FALL, indicating that the A edge trigger slope is negative.

## TRIGger:{A|B}:EDGE:SOUrce

This command sets or queries the source for the edge trigger. For instruments that have an Auxiliary Input (such as the MSO58LP), AUXiliary can be selected as trigger source.

**Group** Trigger

**Syntax** TRIGger:{A|B}:EDGE:SOURCE {CH<x>|CH<x>\_D<y>|LINE|AUXiliary}  
 TRIGger:{A|B}:EDGE:SOURCE?

**Related Commands** TRIGger:{A|B}:EDGE:SLOpe  
 TRIGger:{A|B}:EDGE:COUPling  
 TRIGger:B:STATE

**Arguments** CH<x> specifies an analog channel as the edge trigger source.  
 CH<x>\_D<y> specifies a digital channel as the edge trigger source.  
 LINE specifies AC line voltage, and is a valid source when B trigger is inactive.  
 AUXiliary specifies the Auxiliary Input.

**Examples** TRIGGER:A:EDGE:SOURCE CH2 sets the A edge trigger source to input channel 2.  
 TRIGGER:A:EDGE:SOURCE? might return :TRIGGER:A:EDGE:SOURCE CH1, indicating that the A edge trigger source is set to input channel 1.

## TRIGger:{A|B}:LEVel:CH<x>

This command sets or queries the CH<x> trigger level for an Edge, Pulse Width, Runt or Rise/Fall (Transition and Slew Rate) trigger when triggering on an analog channel waveform. Each channel can have an independent trigger level. The <x> is the channel number.

**Group** Trigger

**Syntax** TRIGger:{A|B}:LEVel:CH<x> <NR3>  
 TRIGger:{A|B}:LEVel:CH<x>?

**Arguments** <NR3> specifies the trigger level in user units (usually volts).

**Examples** TRIGGER:A:LEVEL:CH1 1.5 sets the A trigger level for Channel 1 to 1.5 V.  
 TRIGGER:A:LEVEL:CH2? might return :TRIGGER:A:LEVEL:CH2  
 1.3000E+00, indicating that the A trigger level for Channel 2 is set to 1.3 V.

## TRIGger:{A|B}:LOGIc:DELTime

This command specifies or queries the Logic trigger delta time value. The time value is used as part of the Logic trigger condition to determine if the duration of a logic pattern meets the specified time constraints.

|                  |                                                                                                                                                                                         |
|------------------|-----------------------------------------------------------------------------------------------------------------------------------------------------------------------------------------|
| <b>Group</b>     | Trigger                                                                                                                                                                                 |
| <b>Syntax</b>    | TRIGger:{A B}:LOGIc:DELTime <NR3><br>TRIGger:{A B}:LOGIc:DELTime?                                                                                                                       |
| <b>Arguments</b> | <NR3> the Logic trigger delta time value.                                                                                                                                               |
| <b>Examples</b>  | TRIGger:A:LOGIc:DELTime 4.5e-9 sets the delta time to 4.5 ns.<br><br>TRIGger:A:LOGIc:DELTime? might return<br>:TRIGGER:A:LOGIC:DELTIME 4.0E-9 indicating the delta time is set to 4 ns. |

## TRIGger:{A|B}:LOGIc:FUNCTion

This command sets or queries the logical combination of the input channels for logic triggers. This command is equivalent to selecting Logic for the Trigger Type, and setting or viewing the Define Logic.

|                  |                                                                                                                                                                                                                                                          |
|------------------|----------------------------------------------------------------------------------------------------------------------------------------------------------------------------------------------------------------------------------------------------------|
| <b>Group</b>     | Trigger                                                                                                                                                                                                                                                  |
| <b>Syntax</b>    | TRIGger:{A B}:LOGIc:FUNCTion {AND NAND NOR OR}<br>TRIGger:{A B}:LOGIc:FUNCTion?                                                                                                                                                                          |
| <b>Arguments</b> | AND specifies to trigger if all conditions are true.<br><br>NAND specifies to trigger if any of the conditions are false.<br><br>NOR specifies to trigger if all conditions are false.<br><br>OR specifies to trigger if any of the conditions are true. |
| <b>Examples</b>  | TRIGGER:A:LOGIC:FUNCTION AND sets the logical combination of channels to be true when all conditions are true.                                                                                                                                           |

TRIGGER:A:LOGIC:FUNCTION? might return :TRIGGER:A:LOGIC:FUNCTION NAND, indicating that the instrument will trigger if the AND logic conditions are false.

## TRIGger:{A|B}:LOGIc:INPut:CLOCK:SOUrce

This command specifies the channel to use as the clock source for logic trigger.

|                  |                                                                                                                                                                                                                                           |
|------------------|-------------------------------------------------------------------------------------------------------------------------------------------------------------------------------------------------------------------------------------------|
| <b>Group</b>     | Trigger                                                                                                                                                                                                                                   |
| <b>Syntax</b>    | TRIGger:{A B}:LOGIc:INPut:CLOCK:SOUrce {CH<x> CH<x>_D<x>}<br>TRIGger:{A B}:LOGIc:INPut:CLOCK:SOUrce?                                                                                                                                      |
| <b>Arguments</b> | CH<x> specifies an analog channel as the clock source. Number of channels depends on instrument configuration.<br><br>CH<x>_D<x> specifies a digital channel as the clock source. Number of channels depends on instrument configuration. |
| <b>Examples</b>  | TRIGger:A:LOGIc:INPut:CLOCK:SOUrce CH3 sets the clock source to channel 3.<br><br>TRIGger:A:LOGIc:INPut:CLOCK:SOUrce? might return TRIGGER:A:LOGIC:INPUT:CLOCK:SOURCE CH3 indicating the clock source is set to channel 3.                |

## TRIGger:{A|B}:LOGIc:POLArity

This command sets or queries the polarity for the clock channel when Use Clock Edge is set to Yes for Logic trigger type.

|                  |                                                                                                                             |
|------------------|-----------------------------------------------------------------------------------------------------------------------------|
| <b>Group</b>     | Trigger                                                                                                                     |
| <b>Syntax</b>    | TRIGger:{A B}:LOGIc:POLArity {POSitive NEGative EITHer}<br>TRIGger:{A B}:LOGIc:POLArity?                                    |
| <b>Arguments</b> | NEGative specifies negative polarity.<br><br>POSitive specifies positive polarity.<br><br>EITHer specifies either polarity. |

**Examples** TRIGger:A:LOGIC:POLarity EITHER sets the polarity to either positive or negative.

TRIGger:A:LOGIC:POLarity? might return :TRIGGER:A:LOGIC:POLARITY POSITIVE indicating the polarity is set to positive.

## TRIGger:{A|B}:LOGic:USECLockedge

This command specifies whether or not Logic trigger type uses clock source.

**Group** Trigger

**Syntax** TRIGger:{A|B}:LOGic:USECLockedge {OFF|ON|0|1}  
TRIGger:{A|B}:LOGic:USECLockedge?

**Arguments** ON specifies that logic trigger type uses clock source.

OFF specifies that logic trigger type does not use clock source.

0 specifies that logic trigger type does not use clock source; any other number value uses clock source.

1 specifies that logic trigger type uses clock source.

**Examples** TRIGger:A:LOGic:USECLockedge OFF specifies that the clock edge will not be used.

TRIGger:A:LOGic:USECLockedge? might return :TRIGGER:A:LOGIC:USECLOCKEDGE 1 indicating that the clock edge will be used.

## TRIGger:{A|B}:LOGic:WHEn

This command sets or queries the condition for generating an A or B logic trigger with respect to the defined input pattern. This command is equivalent to selecting Logic for Trigger Type, Use Clock Edge to No, and choosing a trigger condition from the Logic Pattern drop-down list.

**Group** Trigger

**Syntax** TRIGger:{A|B}:LOGic:WHEn  
{TRUE|FALSE|MOREthan|LESSThan|EQua1| UNEQua1}  
TRIGger:{A|B}:LOGic:WHEn?

|                  |                                                                                                                                                                                                                                                                                                                                                                                                                                                                                                                                                                                                                                                              |
|------------------|--------------------------------------------------------------------------------------------------------------------------------------------------------------------------------------------------------------------------------------------------------------------------------------------------------------------------------------------------------------------------------------------------------------------------------------------------------------------------------------------------------------------------------------------------------------------------------------------------------------------------------------------------------------|
| <b>Arguments</b> | <p>TRUE triggers on an input pattern that is true.</p> <p>FALSE triggers on an input pattern that is false.</p> <p>MOREthan triggers on an input pattern that is true for a time period greater than a user defined Time Limit (DELTatime) value.</p> <p>LESSthan triggers on an input pattern that is true for a time period less than a user defined Time Limit (DELTatime) value.</p> <p>EQUAL triggers on an input pattern that is true for a time period equal to a user defined Time Limit (DELTatime) value.</p> <p>UNEQUAL triggers on an input pattern that is true for a time period not equal to a user defined Time Limit (DELTatime) value.</p> |
| <b>Examples</b>  | <p>TRIGger:A:LOGIC:WHEN EQUAL specifies triggering when the input pattern is true for a time period equal to a user defined Time Limit value.</p> <p>TRIGger:A:LOGIC:WHEN? might return :TRIGGER:A:LOGIC:WHEN TRUE indicating a trigger when the logic is true.</p>                                                                                                                                                                                                                                                                                                                                                                                          |

## TRIGger:{A|B}:LOGICPattern:{CH<x>|CH<x>\_D<x>}

This command sets or queries the Logic Pattern that is used along with the Define Logic choice (LOGIC:FUNCTION) to determine when the logic trigger occurs.

|                  |                                                                                                                                                                                                                                                                                                                                                                                                |
|------------------|------------------------------------------------------------------------------------------------------------------------------------------------------------------------------------------------------------------------------------------------------------------------------------------------------------------------------------------------------------------------------------------------|
| <b>Group</b>     | Trigger                                                                                                                                                                                                                                                                                                                                                                                        |
| <b>Syntax</b>    | <p>TRIGger:{A B}:LOGICPattern:{CH&lt;x&gt; CH&lt;x&gt;_D&lt;x&gt;} {HIGH LOW X}</p> <p>TRIGger:{A B}:LOGICPattern:{CH&lt;x&gt; CH&lt;x&gt;_D&lt;x&gt;}?</p>                                                                                                                                                                                                                                    |
| <b>Arguments</b> | <p>HIGH specifies the logic high.</p> <p>LOW specifies the logic low.</p> <p>X specifies a don't care state.</p>                                                                                                                                                                                                                                                                               |
| <b>Examples</b>  | <p>TRIGger:A:LOGICPattern:CH1 HIGH specifies triggering on a logic high.</p> <p>TRIGger:A:LOGICPattern:CH1? might return<br/>:TRIGGER:A:LOGICPATTERN:CH1 X indicating a don't care state for channel 1.</p> <p>TRIGger:A:LOGICPattern:CH1_D0 HIGH specifies a logic high.</p> <p>TRIGger:A:LOGICPattern:CH1_D0? might return<br/>:TRIGGER:A:LOGICPATTERN:CH1_D0 X indicating a don't care.</p> |

## TRIGger:{A|B}:LOWerthreshold:CH<x>

This command sets or queries the A or B lower trigger level threshold for the channel, specified by x.

**Group** Trigger

**Syntax** TRIGger:{A|B}:LOWerthreshold:CH<x> <NR3>  
TRIGger:{A|B}:LOWerthreshold:CH<x>?

**Related Commands** [TRIGger:{A|B}:UPPerthreshold:CH<x>](#)

**Arguments** <NR3> specifies the threshold voltage in user units.

**Examples** TRIGGER:A:LOWERTHRESHOLD:CH2 1.3 sets the A trigger threshold voltage for Channel 2 to 1.3 V.

TRIGGER:A:LOWERTHRESHOLD:CH3? might return  
TRIGGER:A:LOWERTHRESHOLD:CH3 1.2000E+00, indicating that the A trigger threshold voltage for Channel 3 is 1.2 V.

## TRIGger:{A|B}:PULSEwidth:HIGHLimit

This command specifies the upper limit to use, in seconds, when triggering on detection of a pulse whose duration is inside or outside a range of two values. (Use [TRIGger:{A|B}:PULSEwidth:LOWLimit](#) to specify the lower value of the range.)

**Group** Trigger

**Syntax** TRIGger:{A|B}:PULSEwidth:HIGHLimit <NR3>  
TRIGger:{A|B}:PULSEwidth:HIGHLimit?

**Related Commands** [TRIGger:{A|B}:PULSEwidth:WHEn](#)  
[TRIGger:{A|B}:PULSEwidth:LOWLimit](#)

**Arguments** <NR3> is a floating point number that represents the higher value of the range.



**Examples** TRIGger:A:PULSEwidth:HIGHLimit 110.0E-9 sets the high limit to 110.0 ns.

TRIGger:A:PULSEwidth:HIGHLimit? might return  
TRIGGER:A:PULSEWIDTH:HIGHLIMIT 178.88000E-9 indicates the high limit is set to 178.88 ns.

## TRIGger:{A|B}:PULSEwidth:LOGICQUALification

This command specifies whether or not to use logic qualification for a pulse width trigger.

**Group** Trigger

**Syntax** TRIGger:{A|B}:PULSEwidth:LOGICQUALification {ON|OFF}  
TRIGger:{A|B}:PULSEwidth:LOGICQUALification?

**Arguments** ON specifies that the pulse width trigger type uses logic qualification.  
OFF specifies that the pulse width trigger type does not use logic qualification.

**Examples** TRIGger:A:PULSEwidth:LOGICQUALification ON turns on logic qualification.

TRIGger:A:PULSEwidth:LOGICQUALification? might return  
TRIGGER:A:PULSEWIDTH:LOGICQUALIFICATION OFF indicating logic qualification is off.

## TRIGger:{A|B}:PULSEwidth:LOWLimit

This command specifies the lower limit to use, in seconds, when triggering on detection of a pulse whose duration is inside or outside a range of two values. (Use [TRIGger:{A|B}:PULSEwidth:HIGHLimit](#) to specify the upper limit of the range.)

This command also specifies the single limit to use, in seconds, when triggering on detection of a pulse whose duration is less than, greater than, equal to, or not equal to this time limit.

**Group** Trigger

**Syntax** TRIGger:{A|B}:PULSEwidth:LOWLimit <NR3>  
TRIGger:{A|B}:PULSEwidth:LOWLimit?

|                         |                                                                                                                                                                                                                 |
|-------------------------|-----------------------------------------------------------------------------------------------------------------------------------------------------------------------------------------------------------------|
| <b>Related Commands</b> | <a href="#">TRIGger:{A B}:PULSEWidth:WHEn</a><br><a href="#">TRIGger:{A B}:PULSEWidth:HIGHLimit</a>                                                                                                             |
| <b>Arguments</b>        | <NR3> is a floating point number that represents the lower value of the range.                                                                                                                                  |
| <b>Examples</b>         | TRIGger:A:PULSEwidth:LOWLimit 100.0E-9 sets the low limit to 100.0 ns.<br>TRIGger:A:PULSEwidth:HIGHLimit? might return<br>TRIGGER:A:PULSEWIDTH:LOWLIMIT 77.7600E-9 indicating the low limit is set to 77.76 ns. |

## TRIGger:{A|B}:PULSEWidth:POLarity

This command specifies the polarity for a pulse width trigger.

|                  |                                                                                                                                                                                              |
|------------------|----------------------------------------------------------------------------------------------------------------------------------------------------------------------------------------------|
| <b>Group</b>     | Trigger                                                                                                                                                                                      |
| <b>Syntax</b>    | TRIGger:{A B}:PULSEwidth:POLarity {NEGative POSitive}<br>TRIGger:{A B}:PULSEwidth:POLarity?                                                                                                  |
| <b>Arguments</b> | NEGative specifies a negative pulse.<br>POSitive specifies a positive pulse.                                                                                                                 |
| <b>Examples</b>  | TRIGger:A:PULSEwidth:POLarity NEGATIVE sets the pulse polarity to negative.<br>TRIGger:A:PULSEwidth:POLarity? might return<br>TRIGGER:A:WIDTH:POLARITY POSITIVE indicating a positive pulse. |

## TRIGger:{A|B}:PULSEWidth:SOURce

This command specifies the source waveform for a pulse width trigger.

|               |                                                                                        |
|---------------|----------------------------------------------------------------------------------------|
| <b>Group</b>  | Trigger                                                                                |
| <b>Syntax</b> | TRIGger:{A B}:PULSEwidth:SOURce {CH<x> CH<x>_D<x>}<br>TRIGger:{A B}:PULSEwidth:SOURce? |

|                  |                                                                                                                                                                                                                             |
|------------------|-----------------------------------------------------------------------------------------------------------------------------------------------------------------------------------------------------------------------------|
| <b>Arguments</b> | CH<x> specifies an analog input channel as the pulse-width trigger source.<br>CH<x>_D<x> specifies an digital input channel as the pulse-width trigger source.                                                              |
| <b>Examples</b>  | TRIGGER:A:PULSEWIDTH:SOURCE CH1 sets channel 1 as the pulse width source.<br><br>TRIGGER:A:PULSEWIDTH:SOURCE? might return<br>:TRIGGER:A:PULSEWIDTH:SOURCE CH1 indicating that channel 1 is the pulse width trigger source. |

## TRIGger:{A|B}:PULSEWidth:WHEn

This command specifies to trigger when a pulse is detected with a width (duration) that is less than, greater than, equal to, or unequal to a specified value (set using [TRIGger:{A|B}:PULSEWidth:LOWLimit](#)), OR whose width falls outside of or within a specified range of two values (set using [TRIGger:{A|B}:PULSEWidth:LOWLimit](#) and [TRIGger:{A|B}:PULSEWidth:HIGHLimit](#)).

|                         |                                                                                                                                                                                                                                                                                                                                                                                                                                                                                                                                                                                                                                                                                                                                                    |
|-------------------------|----------------------------------------------------------------------------------------------------------------------------------------------------------------------------------------------------------------------------------------------------------------------------------------------------------------------------------------------------------------------------------------------------------------------------------------------------------------------------------------------------------------------------------------------------------------------------------------------------------------------------------------------------------------------------------------------------------------------------------------------------|
| <b>Group</b>            | Trigger                                                                                                                                                                                                                                                                                                                                                                                                                                                                                                                                                                                                                                                                                                                                            |
| <b>Syntax</b>           | TRIGger:{A B}:PULSEWidth:WHEn<br>{LESSthan MOREthan EQUAL UNEQUAL WITHIn OUTside}<br>TRIGger:{A B}:PULSEWidth:WHEn?                                                                                                                                                                                                                                                                                                                                                                                                                                                                                                                                                                                                                                |
| <b>Related Commands</b> | <a href="#">TRIGger:{A B}:PULSEWidth:LOWLimit</a><br><a href="#">TRIGger:{A B}:PULSEWidth:HIGHLimit</a><br><a href="#">TRIGger:{A B}:PULSEWidth:SOUrce</a>                                                                                                                                                                                                                                                                                                                                                                                                                                                                                                                                                                                         |
| <b>Arguments</b>        | LESSthan causes a trigger when a pulse is detected with a width less than the time set by the <a href="#">TRIGger:{A B}:PULSEWidth:LOWLimit</a> command.<br><br>MOREthan causes a trigger when a pulse is detected with a width greater than the time set by the <a href="#">TRIGger:{A B}:PULSEWidth:LOWLimit</a> command.<br><br>EQUAL causes a trigger when a pulse is detected with a width equal to the time period specified in <a href="#">TRIGger:{A B}:PULSEWidth:LOWLimit</a> within a $\pm 5\%$ tolerance.<br><br>UNEQUAL causes a trigger when a pulse is detected with a width greater than or less than (but not equal) the time period specified in <a href="#">TRIGger:{A B}:PULSEWidth:LOWLimit</a> within a $\pm 5\%$ tolerance. |

WITHin causes a trigger when a pulse is detected that is within a range set by two values.

OUTside causes a trigger when a pulse is detected that is outside of a range set by two values.

- Examples**    :TRIGger:B:PULSEwidth:WHEN LESSthan causes the instrument to trigger when a pulse is detected that is shorter than the time specified by [TRIGger:{A|B}:PULSEWidth:LOWLimit](#).
- TRIGger:A:PULSEwidth:WHEN ? might return  
TRIGGER:A:PULSEWIDTH:WHEN GREATER THAN 2.0000E-9, indicating that a trigger is generated when a pulse is detected greater than 2 ns.
- TRIGger:B:PULSEwidth:WHEN? might return  
TRIGGER:B:PULSEwidth:WHEN MOREthan indicating that a trigger is generated when a pulse is detected that is greater than the time specified by [TRIGger:{A|B}:PULSEWidth:LOWLimit](#).

## TRIGger:{A|B}:RUNT:LOGICQUALification

This command specifies whether or not to use logic qualification for a runt trigger.

- Group**    Trigger
- Syntax**    TRIGger:{A|B}:RUNT:LOGICQUALification {ON|OFF}  
TRIGger:{A|B}:RUNT:LOGICQUALification?
- Arguments**    ON specifies that the runt trigger type uses logic qualification.  
OFF specifies that the runt trigger type does not use logic qualification.
- Examples**    TRIGger:A:RUNT:LOGICQUALification ON turns on logic qualification.  
TRIGger:A:RUNT:LOGICQUALification? might return  
:TRIGGER:A:RUNT:LOGICQUALIFICATION OFF indicating logic qualification is off.

## TRIGger:{A|B}:RUNT:POLarity

This command specifies the polarity for the runt trigger.

- Group**    Trigger

|                  |                                                                                                                                                                                                                                                                                                                                                                                                                       |
|------------------|-----------------------------------------------------------------------------------------------------------------------------------------------------------------------------------------------------------------------------------------------------------------------------------------------------------------------------------------------------------------------------------------------------------------------|
| <b>Syntax</b>    | <pre>TRIGger:{A B}:RUNT:POLArity {EITHer NEGative POSitive} TRIGger:{A B}:RUNT:POLArity?</pre>                                                                                                                                                                                                                                                                                                                        |
| <b>Arguments</b> | <p>POSitive indicates that the rising edge crosses the low threshold and the falling edge recrosses the low threshold without either edge ever crossing the high threshold.</p> <p>NEGative indicates that the falling edge crosses the high threshold and the rising edge recrosses the high threshold without either edge ever crossing the low threshold.</p> <p>EITHer triggers on a runt of either polarity.</p> |
| <b>Examples</b>  | <p>TRIGger:A:RUNT:POLArity NEGATIVE specifies that the polarity of the A pulse runt trigger is negative.</p> <p>TRIGger:A:RUNT:POLArity? might return :TRIGGER:A:RUNT:POLARITY POSITIVE indicating that the polarity of the A pulse runt trigger is positive.</p>                                                                                                                                                     |

## TRIGger:{A|B}:RUNT:SOURce

This command specifies the source waveform for the runt trigger.

---

**NOTE.** *Digital channels are not supported as runt trigger sources.*

---

|                  |                                                                                                                                                                                                                                                                                                             |
|------------------|-------------------------------------------------------------------------------------------------------------------------------------------------------------------------------------------------------------------------------------------------------------------------------------------------------------|
| <b>Group</b>     | Trigger                                                                                                                                                                                                                                                                                                     |
| <b>Syntax</b>    | <pre>TRIGger:{A B}:RUNT:SOURce {CH&lt;x&gt;} TRIGger:{A B}:RUNT:SOURce?</pre>                                                                                                                                                                                                                               |
| <b>Arguments</b> | <p>CH&lt;x&gt; specifies the analog channel number to use as the source waveform for the runt trigger. To specify the threshold levels when using CH&lt;x&gt; as the source, use <a href="#">TRIGger:{A B}:LOWerthreshold:CH&lt;x&gt;</a> and <a href="#">TRIGger:{A B}:UPPerthreshold:CH&lt;x&gt;</a>.</p> |
| <b>Examples</b>  | <p>TRIGger:A:RUNT:SOURce CH4 sets channel 4 as the trigger source.</p> <p>TRIGger:A:RUNT:SOURce? might return :TRIGGER:A:RUNT:SOURCE CH2 indicating that channel 2 is the trigger source.</p>                                                                                                               |

## TRIGger:{A|B}:RUNT:WHEn

This command specifies the type of pulse width the trigger checks for when it detects a runt.

**Group** Trigger

**Syntax** TRIGger:{A|B}:RUNT:WHEn  
{LESSthan|MOREthan|EQua|UNEQua|OCCURS}  
TRIGger:{A|B}:RUNT:WHEn?

**Related Commands** [TRIGger:{A|B}:RUNT:WIDth](#)

**Arguments** OCCURS sets the instrument to trigger if a runt signal of any detectable width occurs.

LESSthan sets the instrument to trigger if the a runt pulse is detected with width less than the time set by the [TRIGger:{A|B}:RUNT:WIDth](#) command.

MOREthan sets the instrument to trigger if the a runt pulse is detected with width greater than the time set by the [TRIGger:{A|B}:RUNT:WIDth](#) command.

EQua sets the instrument to trigger if a runt pulse is detected with width equal to the time period specified in [TRIGger:{A|B}:RUNT:WIDth](#) within a  $\pm 5\%$  tolerance.

UNEQua sets the instrument to trigger if a runt pulse is detected with width greater than or less than (but not equal to) the time period specified in [TRIGger:{A|B}:RUNT:WIDth](#) within a  $\pm 5\%$  tolerance.

**Examples** TRIGger:A:RUNT:WHEn MORETHAN sets the runt trigger to occur when the instrument detects a runt in a pulse wider than the specified width.

TRIGger:A:RUNT:WHEn? might return :TRIGGER:A:PULSE:RUNT:WHEn OCCURS indicating that a runt trigger will occur if the instrument detects a runt of any detectable width.

## TRIGger:{A|B}:RUNT:WIDth

This command specifies the width, in seconds, for a runt trigger.

**Group** Trigger

**Syntax** TRIGger:{A|B}:RUNT:WIDth <NR3>  
TRIGger:{A|B}:RUNT:WIDth?

**Related Commands** TRIGger:{A|B}:RUNT:WHEn

**Arguments** <NR3> is a floating point number that specifies the minimum width, in seconds.

**Examples** TRIGger:A:RUNT:WIDth 15E-6 sets the minimum width of the pulse runt trigger to 15  $\mu$ s.  
TRIGger:A:RUNT:WIDth? might return :TRIGGER:A:PULSE:RUNT:WIDTH 2.0000E-09 indicating that the minimum width of a pulse runt trigger is 2 ns.

## TRIGger:{A|B}:SETHold:CLOCK:EDGE

This command specifies the clock edge polarity for setup and hold triggering.

**Group** Trigger

**Syntax** TRIGger:{A|B}:SETHold:CLOCK:EDGE {FALL|RISE}  
TRIGger:{A|B}:SETHold:CLOCK:EDGE?

**Arguments** FALL specifies polarity as the clock falling edge.  
RISE specifies polarity as the clock rising edge.

**Examples** TRIGger:A:SETHold:CLOCK:EDGE RISE specifies the polarity as the clock rising edge.  
TRIGger:A:SETHold:CLOCK:EDGE? might return :TRIGGER:A:SETHOLD:CLOCK:EDGE RISE indicating that polarity is specified as the clock rising edge.

## TRIGger:{A|B}:SETHold:CLOCK:SOUrce

This command specifies the clock source for the setup and hold triggering. You cannot specify the same source for both clock and data.

**Group** Trigger

**Syntax** TRIGger:{A|B}:SETHold:CLOCK:SOURce {CH<x>|CH<x>\_D<x>}  
 TRIGger:{A|B}:SETHold:CLOCK:SOURce?

**Arguments** CH<x> specifies the analog channel to use as the clock source waveform.  
 CH<x>\_D<x> specifies the digital channel to use as the clock source waveform.

**Examples** TRIGger:A:SETHold:CLOCK:SOURce CH1 specifies channel 1 as the clock source for a setup and hold trigger operation.  
 TRIGger:A:SETHold:CLOCK:SOURce? might return  
 :TRIGGER:A:SETHOLD:CLOCK:SOURCE CH4 indicating that channel 4 is the clock source for a setup and hold trigger operation.

## TRIGger:{A|B}:SETHold:HOLDTime

This command specifies the hold time for setup and hold violation triggering. This command is equivalent to selecting Setup/Hold Setup from the Trig menu and then setting the desired Hold Time.

**Group** Trigger

**Syntax** TRIGger:{A|B}:SETHold:HOLDTime <NR3>  
 TRIGger:{A|B}:SETHold:HOLDTime?

**Arguments** <NR3> is a floating point number that specifies the hold time setting, in seconds. Positive values for hold time occur after the clock edge. Negative values occur before the clock edge.

**Examples** TRIGger:A:SETHold:HOLDTime 3.0E-3 sets the hold time for the setup and hold trigger to 3 ms.  
 TRIGger:A:SETHold:HOLDTime? might return  
 :TRIGGER:A:SETHOLD:HOLDTIME 2.0000E-09 indicating that the current hold time for the setup and hold trigger is 2 ns.

## TRIGger:{A|B}:SETHold:SETTime

This command specifies the setup time for setup and hold violation triggering. This command is equivalent to selecting Setup/Hold Setup from the Trig menu and then setting the desired Setup Time.



|                  |                                                                                                                                                                                                                                                                                                            |
|------------------|------------------------------------------------------------------------------------------------------------------------------------------------------------------------------------------------------------------------------------------------------------------------------------------------------------|
| <b>Group</b>     | Trigger                                                                                                                                                                                                                                                                                                    |
| <b>Syntax</b>    | <pre>TRIGger:{A B}:SETHold:SETTime &lt;NR3&gt; TRIGger:{A B}:SETHold:SETTime?</pre>                                                                                                                                                                                                                        |
| <b>Arguments</b> | <NR3> is a floating point number that specifies the setup time for setup and hold violation triggering.                                                                                                                                                                                                    |
| <b>Examples</b>  | <p>TRIGger:A:SETHold:SETTime 3.0E-6 specifies that the current setup time for setup and hold trigger is 3 <math>\mu</math>s.</p> <p>TRIGger:A:SETHold:SETTime? might return<br/>:TRIGGER:A:LOGIC:SETHOLD:SETTIME 2.0000E-09 indicating that the current setup time for setup and hold trigger is 2 ns.</p> |

## TRIGger:{A|B}:SETHOLDLogicval:{CH<x>|CH<x>\_D<x>}

This command sets or queries whether the specified channel is included (INCLude) or not included (DONTInCLude) in the Setup & Hold trigger input configuration. The channel number is specified by x.

|                  |                                                                                                                                                                                                                                                                                                                                                                                                                                                         |
|------------------|---------------------------------------------------------------------------------------------------------------------------------------------------------------------------------------------------------------------------------------------------------------------------------------------------------------------------------------------------------------------------------------------------------------------------------------------------------|
| <b>Group</b>     | Trigger                                                                                                                                                                                                                                                                                                                                                                                                                                                 |
| <b>Syntax</b>    | <pre>TRIGger:{A B}:SETHOLDLogicval:{CH&lt;x&gt; CH&lt;x&gt;_D&lt;x&gt;} {INCLude DONTInCLude} TRIGger:{A B}:SETHOLDLogicval:{CH&lt;x&gt; CH&lt;x&gt;_D&lt;x&gt;}?</pre>                                                                                                                                                                                                                                                                                 |
| <b>Arguments</b> | <p>INCLude specifies including the specified channel in the Setup &amp; Hold trigger input configuration.</p> <p>DONTInCLude specifies not including the specified channel in the Setup &amp; Hold trigger input configuration.</p>                                                                                                                                                                                                                     |
| <b>Examples</b>  | <p>TRIGger:A:SETHOLDLogicval:CH1 INCLude specifies including the specified channel in the Setup &amp; Hold trigger input configuration.</p> <p>TRIGger:A:SETHOLDLogicval:CH1? might include<br/>:TRIGGER:A:SETHOLDLOGICVAL:CH1 DONTINCLUDE indicating not to include the channel in the configuration.</p> <p>TRIGger:A:SETHOLDLogicval:CH1_D0 include specifies including the specified channel in the setup and hold trigger input configuration.</p> |

TRIGger:A:SETHOLDLogicval:CH1\_D0? might return  
:TRIGGER:A:SETHOLDLOGICVAL:CH1\_D0 DONTINCLUDE indicating  
the channel will not be included in the configuration.

## TRIGger:{A|B}:TIMEOut:LOGICQUALification

This command specifies whether or not to use logic qualification for a timeout trigger.

**Group** Trigger

**Syntax** TRIGger:{A|B}:TIMEOut:LOGICQUALification {ON|OFF}  
TRIGger:{A|B}:TIMEOut:LOGICQUALification?

**Arguments** ON specifies that the timeout trigger type uses logic qualification.  
OFF specifies that the timeout trigger type does not use logic qualification.

**Examples** TRIGger:A:TIMEOut:LOGICQUALification ON specifies using logic qualification.  
TRIGger:A:TIMEOut:LOGICQUALification? might include  
:TRIGGER:A:TIMEOUT:LOGICQUALIFICATION OFF indicating that logic qualification is off.

## TRIGger:{A|B}:TIMEOut:POLarity

When triggering using the TIMEOUT trigger type, this commands specifies the polarity to be used.

**Group** Trigger

**Syntax** TRIGger:{A|B}:TIMEOut:POLarity {STAYSHigh|STAYSLow|EITHer}  
TRIGger:{A|B}:TIMEOut:POLarity?

**Related Commands** [TRIGger:{A|B}:TIMEOut:SOUrce](#)  
[TRIGger:{A|B}:TIMEOut:TIME](#)

**Arguments** STAYSHigh triggers when the signal stays high during the timeout time specified by the command [TRIGger:{A|B}:TIMEOut:TIME](#).

STAYSLow triggers when the signal stays low during the timeout time specified by the command `TRIGger:{A|B}:TIMEOut:TIME`.

EITHer triggers when the signal is either high or low during the timeout time specified by the command `TRIGger:{A|B}:TIMEOut:TIME`.

**Examples** `TRIGger:A:TIMEOut:POLarity STAYSHigh` specifies to trigger when the signal stays high during the timeout time when triggering using the `TIMEOut` trigger type.

`TRIGger:A:TIMEOut:POLarity?` might return `EITHER`, indicating that the signal stays either high or low during the timeout time.

## TRIGger:{A|B}:TIMEOut:SOURce

When triggering using the `TIMEOut` trigger type, this command specifies the source. The available sources are live channels and digital channels. The default is channel 1. The timeout trigger type is selected using `TRIGger:{A|B}:TYPE TIMEOut`.

**Group** Trigger

**Syntax** `TRIGger:{A|B}:TIMEOut:SOURce {CH<x>|CH<x>_D<x>}`  
`TRIGger:{A|B}:TIMEOut:SOURce?`

**Related Commands** [SEARCH:SEARCH<x>:TRIGger:A:TIMEOut:SOURce](#)  
[TRIGger:{A|B}:TIMEOut:TIME](#)  
[TRIGger:{A|B}:TIMEOut:POLarity](#)

**Arguments** `CH<x>` specifies an analog channel as the timeout trigger source.  
`CH<x>_D<x>` specifies a digital channel as the timeout trigger source.

**Examples** `TRIGger:A:TIMEOut:SOURce CH4` specifies to use channel 4 as the source for the timeout trigger.

`TRIGger:A:TIMEOut:SOURce?` might return `CH1`, indicating that channel 1 has been set as the source for the timeout trigger.

## TRIGger:{A|B}:TIMEOut:TIME

When triggering using the TIMEOut trigger type, this command specifies the timeout time, in seconds. This command is equivalent to selecting Timeout from the Trig menu and setting a value for Time Limit. The timeout trigger type is selected using [TRIGger:{A|B}:TYPE](#) TIMEOut

**Group** Trigger

**Syntax** TRIGger:{A|B}:TIMEOut:TIME <NR3>  
TRIGger:{A|B}:TIMEOut:TIME?

**Related Commands** [TRIGger:{A|B}:TIMEOut:POLarity](#)  
[TRIGger:{A|B}:TIMEOut:SOUrce](#)

**Arguments** <NR3> is a floating point number that specifies the timeout time, in seconds.

**Examples** :TRIGger:A:TIMEOut:TIME 4.0E-9 specifies the timeout time of 4.0 nsec.  
:TRIGger:A:TIMEOut:TIME? might return 8.0000E-9.

## TRIGger:{A|B}:TRANSition:DELTatime

This command specifies the delta time (that is Time Limit) used in calculating the transition value for the transition (that is Rise or Fall Time) trigger.

**Group** Trigger

**Syntax** TRIGger:{A|B}:TRANSition:DELTatime <NR3>  
TRIGger:{A|B}:TRANSition:DELTatime?

**Arguments** <NR3> is a floating point number that specifies the delta time, in seconds.

**Examples** TRIGGER:A:TRANSITION:DELTATIME 15E-6 sets the delta time of the transition trigger to 15  $\mu$ s.  
TRIGGER:A:TRANSITION:DELTATIME? might return  
:TRIGGER:A:TRANSITION:DELTATIME 2.0000E-09 indicating that the delta time of the transition trigger is set to 2 ns.

## TRIGger:{A|B}:TRANSition:LOGICQUALification

This command specifies whether or not to use logic qualification for a transition trigger.

|                  |                                                                                                                                                                                                                              |
|------------------|------------------------------------------------------------------------------------------------------------------------------------------------------------------------------------------------------------------------------|
| <b>Group</b>     | Trigger                                                                                                                                                                                                                      |
| <b>Syntax</b>    | TRIGger:{A B}:TRANSition:LOGICQUALification {ON OFF}<br>TRIGger:{A B}:TRANSition:LOGICQUALification?                                                                                                                         |
| <b>Arguments</b> | ON specifies that the transition trigger type uses logic qualification.<br>OFF specifies that the transition trigger type does not use logic qualification.                                                                  |
| <b>Examples</b>  | TRIGger:A:TRANSition:LOGICQUALification ON specifies using logic qualification.<br>TRIGger:A:TRANSition:LOGICQUALification? might return :TRIGGER:A:TRANSITION:LOGICQUALIFICATION OFF indicating logic qualification is off. |

## TRIGger:{A|B}:TRANSition:POLarity

This command specifies the polarity for the transition trigger.

|                  |                                                                                                                                                                                                                                                                                                                                                                         |
|------------------|-------------------------------------------------------------------------------------------------------------------------------------------------------------------------------------------------------------------------------------------------------------------------------------------------------------------------------------------------------------------------|
| <b>Group</b>     | Trigger                                                                                                                                                                                                                                                                                                                                                                 |
| <b>Syntax</b>    | TRIGger:{A B}:TRANSition:POLarity {EITHer NEGative POSitive}<br>TRIGger:{A B}:TRANSition:POLarity?                                                                                                                                                                                                                                                                      |
| <b>Arguments</b> | POSitive indicates that a pulse edge must traverse from the lower (most negative) to higher (most positive) level for transition triggering to occur.<br>NEGative indicates that a pulse edge must traverse from the upper (most positive) to lower (most negative) level for transition triggering to occur.<br>EITHer indicates either positive or negative polarity. |
| <b>Examples</b>  | TRIGGER:A:TRANSITION:POLARITY NEGATIVE sets the transition polarity to negative.                                                                                                                                                                                                                                                                                        |

TRIGGER:A:TRANSITION:POLARITY? might return  
:TRIGGER:A:TRANSITION:POLARITY EITHER indicating that the polarity  
can be either positive or negative.

## TRIGger:{A|B}:TRANSition:SOUrce

This command specifies the source waveform for a transition trigger.

---

**NOTE.** *Digital channels are not supported as transition trigger sources.*

---

|                  |                                                                                                                                                                                                                                                   |
|------------------|---------------------------------------------------------------------------------------------------------------------------------------------------------------------------------------------------------------------------------------------------|
| <b>Group</b>     | Trigger                                                                                                                                                                                                                                           |
| <b>Syntax</b>    | TRIGger:{A B}:TRANSition:SOUrce {CH<x>}<br>TRIGger:{A B}:TRANSition:SOUrce?                                                                                                                                                                       |
| <b>Arguments</b> | CH<x> specifies one of the analog channels to be used as the source for a transition trigger.                                                                                                                                                     |
| <b>Examples</b>  | TRIGGER:A:TRANSITION:SOURCE CH4 sets channel 4 as the source for the transition trigger.<br><br>TRIGGER:A:TRANSITION:SOURCE? might return<br>:TRIGGER:A:TRANSITION:SOURCE CH2 indicating that channel 2 is the source for the transition trigger. |

## TRIGger:{A|B}:TRANSition:WHEn

This command specifies whether to check for a transitioning signal that is faster or slower than the specified delta time.

|                  |                                                                                                                                                                                                                                                                        |
|------------------|------------------------------------------------------------------------------------------------------------------------------------------------------------------------------------------------------------------------------------------------------------------------|
| <b>Group</b>     | Trigger                                                                                                                                                                                                                                                                |
| <b>Syntax</b>    | TRIGger:{A B}:TRANSition:WHEn {SLOWer FASTer EQua UNEQua }<br>TRIGger:{A B}:TRANSition:WHEn?                                                                                                                                                                           |
| <b>Arguments</b> | FASTer sets the trigger to occur when the signal transition time is faster than the time set by TRIGger:A:TRANSition:DELTAtime.<br><br>SLOWer sets the trigger to occur when the signal transition time is slower than the time set by.TRIGger:A:TRANSition:DELTAtime. |

**Equal** sets the trigger to occur when the signal transition time is equal to the time set by `TRIGGER:A:TRANSITION:DELTAtime`.

**UNEQUAL** sets the trigger to occur when the signal transition time is not equal to the time set by `TRIGGER:A:TRANSITION:DELTAtime`.

**Examples** `TRIGGER:A:TRANSITION:WHEN SLOWER` sets the trigger to occur when the signal transition time is slower than the time set by the `TRIGGER:A:TRANSITION:DELTAtime` command.

`TRIGGER:A:TRANSITION:WHEN?` might return  
`:TRIGGER:A:TRANSITION:WHEN FASTER`

## TRIGGER:{A|B}:TYPE

This command sets or queries the type of A or B trigger.

**Group** Trigger

**Syntax** `TRIGGER:{A|B}:TYPE {EDGE|WIDTH|TIMEOUT|RUNT|WINDOW|LOGIC|SETHOLD|TRANSITION|BUS}`  
`TRIGGER:{A|B}:TYPE?`

**Arguments** **EDGE** is a normal trigger. A trigger event occurs when a signal passes through a specified voltage level in a specified direction and is controlled by the `TRIGGER:A:EDGE` commands.

**WIDTH** specifies that the trigger occurs when a pulse with a specified width is found.

**TIMEOUT** specifies that a trigger occurs when a pulse with the specified timeout is found.

**RUNT** specifies that a trigger occurs when a pulse with the specified parameters is found.

**WINDOW** specifies that a trigger occurs when a signal with the specified window parameters is found.

**LOGIC** specifies that a trigger occurs when specified conditions are met and is controlled by the `TRIGGER:{A|B}:LOGIC` commands.

**SETHOLD** specifies that a trigger occurs when a signal is found that meets the setup and hold parameters.

**TRANSITION** specifies that a trigger occurs when a specified pulse is found that meets the transition trigger parameters.

BUS specifies that a trigger occurs when a signal is found that meets the specified bus setup parameters.

**Examples** TRIGGER:A:TYPE EDGE sets the A trigger type to EDGE.  
TRIGGER:A:TYPE? might return :TRIGGER:A:TYPE RUNT indicating that the A trigger type is a runt trigger.

## TRIGger:{A|B}:UPPerthreshold:CH<x>

This command sets or queries the specified channel upper trigger level. The CH<x> range is 1 to 8 and depends on the number of analog channels on your instrument.

**Group** Trigger

**Syntax** TRIGger:{A|B}:UPPerthresHoLd:CH<x> <NR3>  
TRIGger:{A|B}:UPPerthresHoLd:CH<x>?

**Related Commands** [TRIGger:{A|B}:LOWerthreshold:CH<x>](#)

**Arguments** <NR3> specifies the trigger level in user units (usually volts).

**Examples** TRIGGER:A:UPPERTHRESHOLD:CH1 1.3 This command sets the A trigger level for Channel 1 to 1.3 V level.  
TRIGGER:A:UPPERTHRESHOLD:CH2? might return  
TRIGGER:A:UPPERTHRESHOLD:CH2 1.3000E+00, indicating that the A trigger level for Channel 2 is set to 1.3 V.

## TRIGger:{A|B}:VIDeo:FIELD

This command specifies the trigger condition for a video trigger.

**Group** Trigger

**Syntax** TRIGger:{A|B}:VIDeo:FIELD {ALLLines| NUMERic| ODD| EVEN| ALLFields}  
TRIGger:{A|B}:VIDeo:FIELD?



|                  |                                                                                                                                                                                                                                                                                                                                 |
|------------------|---------------------------------------------------------------------------------------------------------------------------------------------------------------------------------------------------------------------------------------------------------------------------------------------------------------------------------|
| <b>Arguments</b> | <p>ALLLines specifies to trigger on all lines.</p> <p>NUMERIC specifies to trigger on a particular line, which can be set via the TRIGger:{A B}:VIDeo:LINE command.</p> <p>ODD specifies to trigger on odd lines.</p> <p>EVEN specifies to trigger on even lines.</p> <p>ALLFields specifies to trigger on any video field.</p> |
| <b>Examples</b>  | <p>TRIGger:A:VIDeo:FIELD ALLLines sets the video trigger to trigger on all lines.</p> <p>TRIGger:A:VIDeo:FIELD? might return TRIGGER:A:VIDeo:FIELD ODD, indicating that the video trigger will trigger on odd lines.</p>                                                                                                        |

## TRIGger:{A|B}:VIDeo:LINE

This command specifies the line number value for a video line number trigger.

|                  |                                                                                                                                                                                                                |
|------------------|----------------------------------------------------------------------------------------------------------------------------------------------------------------------------------------------------------------|
| <b>Group</b>     | Trigger                                                                                                                                                                                                        |
| <b>Syntax</b>    | <p>TRIGger:{A B}:VIDeo:LINE &lt;NR1&gt;</p> <p>TRIGger:{A B}:VIDeo:LINE?</p>                                                                                                                                   |
| <b>Arguments</b> | <NR1> is the line number to trigger on, which can range from 1 to 625.                                                                                                                                         |
| <b>Examples</b>  | <p>TRIGger:A:VIDeo:LINE 262 sets the video trigger to trigger on line 262.</p> <p>TRIGger:A:VIDeo:LINE? might return TRIGGER:A:VIDeo:LINE 525, indicating that the video trigger will trigger on line 525.</p> |

## TRIGger:{A|B}:VIDeo:POLarity

This command specifies the polarity for a video trigger.

|               |                                                                                              |
|---------------|----------------------------------------------------------------------------------------------|
| <b>Group</b>  | Trigger                                                                                      |
| <b>Syntax</b> | <p>TRIGger:{A B}:VIDeo:POLarity {POSitive NEGative}</p> <p>TRIGger:{A B}:VIDeo:POLarity?</p> |

|                  |                                                                                                                                                                                                                                                                               |
|------------------|-------------------------------------------------------------------------------------------------------------------------------------------------------------------------------------------------------------------------------------------------------------------------------|
| <b>Arguments</b> | <code>POSitive</code> specifies a positive polarity for the video trigger.<br><code>NEGative</code> specifies a negative polarity for the video trigger.                                                                                                                      |
| <b>Examples</b>  | <code>TRIGger:A:VIDeo:POLarity POSitive</code> specifies to use a positive polarity for the video trigger.<br><code>TRIGger:A:VIDeo:POLarity?</code> might return <code>TRIGGER:A:VIDeo:POLarity NEGative</code> , indicating that the video trigger has a negative polarity. |

## TRIGger:{A|B}:VIDeo:SOURce

This command specifies the source waveform for a video trigger.

|                  |                                                                                                                                                                                                                                                                       |
|------------------|-----------------------------------------------------------------------------------------------------------------------------------------------------------------------------------------------------------------------------------------------------------------------|
| <b>Group</b>     | Trigger                                                                                                                                                                                                                                                               |
| <b>Syntax</b>    | <code>TRIGger:{A B}:VIDeo:SOURce {CH&lt;x&gt;}</code><br><code>TRIGger:{A B}:VIDeo:SOURce?</code>                                                                                                                                                                     |
| <b>Arguments</b> | <code>CH&lt;x&gt;</code> specifies the analog channel to use as the video trigger source waveform.                                                                                                                                                                    |
| <b>Examples</b>  | <code>TRIGger:A:VIDeo:SOURce CH2</code> sets channel 2 as the source waveform for the video trigger.<br><code>TRIGger:A:VIDeo:SOURce?</code> might return <code>TRIGGER:A:VIDeo:SOURce CH1</code> , indicating that CH1 is the source waveform for the video trigger. |

## TRIGger:{A|B}:VIDeo:STANdard

This command specifies the standard/format for a video trigger.

|                  |                                                                                                                                                                                         |
|------------------|-----------------------------------------------------------------------------------------------------------------------------------------------------------------------------------------|
| <b>Group</b>     | Trigger                                                                                                                                                                                 |
| <b>Syntax</b>    | <code>TRIGger:{A B}:VIDeo:STANdard {NTSc PAL SECAM}</code><br><code>TRIGger:{A B}:VIDeo:STANdard?</code>                                                                                |
| <b>Arguments</b> | <code>NTSC</code> specifies 525i/NTSC as the video standard.<br><code>PAL</code> specifies 625i/PAL as the video standard.<br><code>SECAM</code> specifies SECAM as the video standard. |

- Examples**    `TRIGger:A:VIDeo:STANdard PAL` sets 625i/PAL as the video standard to use for the video trigger.
- `TRIGger:A:VIDeo:STANdard?` might return `TRIGGER:A:VIDeo:STANdard NTSc`, indicating that 525i/NTSC is the video standard being used for the video trigger.

## TRIGger:{A|B}:WINDow:CROSSIng

This command sets or queries the window trigger threshold crossing of the selected trigger source. The threshold crossing selection is only effective when `:TRIGger:{A|B}:WINDow:WHEN` is `INSIDEGreater` or `OUTSIDEGreater`.

**Group**    Trigger

**Syntax**    `TRIGger:{A|B}:WINDow:CROSSIng {UPPer|LOWer|EITHer|NONE}`  
`TRIGger:{A|B}:WINDow:CROSSIng?`

- Arguments**    `UPPer` if `:TRIGger:{A|B}:WINDow:WHEN` is `INSIDEGreater`, the instrument triggers when the signal remains between the upper and lower thresholds for longer than the time limit (`:TRIGger:{A|B}:WINDow:WIDTH`) and then exits through the upper threshold. If `:TRIGger:{A|B}:WINDow:WHEN` is `OUTSIDEGreater`, the instrument triggers when the signal remains above the upper threshold for longer than the time limit (`:TRIGger:{A|B}:WINDow:WIDTH`) and then crosses downward through the upper threshold.
- `LOWer` if `:TRIGger:{A|B}:WINDow:WHEN` is `INSIDEGreater`, the instrument triggers when the signal remains between the upper and lower thresholds for longer than the time limit (`:TRIGger:{A|B}:WINDow:WIDTH`) and then exits through the lower threshold. If `:TRIGger:{A|B}:WINDow:WHEN` is `OUTSIDEGreater`, the instrument triggers when the signal remains below the lower threshold for longer than the time limit (`:TRIGger:{A|B}:WINDow:WIDTH`) and then crosses upwards through the lower threshold.
- `EITHer` if `:TRIGger:{A|B}:WINDow:WHEN` is `INSIDEGreater`, the instrument triggers when the signal remains between the upper and lower thresholds for longer than the time limit (`:TRIGger:{A|B}:WINDow:WIDTH`) and then exits through either the upper or lower threshold. If `:TRIGger:{A|B}:WINDow:WHEN` is `OUTSIDEGreater`, the instrument triggers when the signal remains either above the upper threshold or below the lower threshold for longer than the time limit (`:TRIGger:{A|B}:WINDow:WIDTH`) and then crosses a threshold.
- `NONE` if `:TRIGger:{A|B}:WINDow:WHEN` is `INSIDEGreater`, the instrument triggers when the signal remains between the upper and lower thresholds for longer than the time limit (`:TRIGger:{A|B}:WINDow:WIDTH`) without crossing through either the upper or lower threshold. If `:TRIGger:{A|B}:WINDow:WHEN`

is OUTSIDEGreater, the instrument triggers when the signal remains outside the upper and lower thresholds for longer than the time limit (:TRIGGER:{A|B}:WINDOW:WIDTH) without crossing through either the upper or lower threshold.

**Examples** TRIGGER:A:WINDOW:CROSSING LOWER sets crossing to lower.  
TRIGGER:A:WINDOW:CROSSING? might return  
TRIGGER:A:WINDOW:CROSSING UPPER indicating the crossing is set to upper.

## TRIGGER:{A|B}:WINDOW:LOGICQUALIFICATION

This command specifies whether or not to use logic qualification for a window trigger.

**Group** Trigger

**Syntax** TRIGGER:{A|B}:WINDOW:LOGICQUALIFICATION {ON|OFF}  
TRIGGER:{A|B}:WINDOW:LOGICQUALIFICATION?

**Arguments** ON specifies that the window trigger type uses logic qualification.  
OFF specifies that the window trigger type does not use logic qualification.

**Examples** TRIGGER:A:WINDOW:LOGICQUALIFICATION ON turns on logic qualification.  
TRIGGER:A:WINDOW:LOGICQUALIFICATION? might return  
TRIGGER:A:WINDOW:LOGICQUALIFICATION OFF indicating logic qualification is off.

## TRIGGER:{A|B}:WINDOW:SOURCE

This command sets or queries the source for a window trigger.

---

**NOTE.** *Digital channels are not supported as window trigger sources.*

---

**Group** Trigger

**Syntax** TRIGGER:{A|B}:WINDOW:SOURCE {CH<x>}  
TRIGGER:{A|B}:WINDOW:SOURCE?

**Arguments** CH<x> specifies an analog channel as the trigger source.

**Examples** TRIGger:A:WINDOW:SOURCE CH2 sets the source to channel 2.  
 TRIGger:A:WINDOW:SOURCE? might return :TRIGGER:A:WINDOW:SOURCE  
 CH3 indicating the source is channel 3.

## TRIGger:{A|B}:WINDOW:WHEN

This command sets or queries the window trigger event. This command is equivalent to selecting Window Setup from the Trig menu and selecting from the Window Trigger When box.

**Group** Trigger

**Syntax** TRIGger:{A|B}:WINDOW:WHEN {ENTERSwindow|EXITSWINDOW|  
 INSIDEGreater|OUTSIDEGreater}  
 TRIGger:{A|B}:WINDOW:WHEN?

**Arguments** OUTSIDEGreater specifies a trigger event when the signal leaves the window defined by the threshold levels for the time specified by Width.  
 INSIDEGreater specifies a trigger event when the signal enters the window defined by the threshold levels for the time specified by Width.  
 ENTERSWINDOW specifies a trigger event when the signal enters the window defined by the threshold levels.  
 EXITSWINDOW specifies a trigger event when the signal leaves the window defined by the threshold levels.

**Examples** TRIGger:A:WINDOW:WHEN EXITSWINDOW specifies a trigger event when the signal leaves the window defined by the threshold levels.  
 TRIGger:A:WINDOW:WHEN? might return :TRIGGER:A:WINDOW:WHEN  
 ENTERSWINDOW indicating a trigger when the signal enters the window.

## TRIGger:{A|B}:WINDOW:WIDTH

This command sets or queries the minimum width for a window violation. This command is equivalent to selecting Window Setup from the Trig menu, selecting Inside > Limit or Outside > Limit in the Trigger When box, and setting the Time Limit.

|                  |                                                                                                                                                                                                                                       |
|------------------|---------------------------------------------------------------------------------------------------------------------------------------------------------------------------------------------------------------------------------------|
| <b>Group</b>     | Trigger                                                                                                                                                                                                                               |
| <b>Syntax</b>    | TRIGger:{A B}:WINDow:WIDTh <NR3><br>TRIGger:{A B}:WINDow:WIDTh?                                                                                                                                                                       |
| <b>Arguments</b> | <NR3> is the minimum width for a window violation.                                                                                                                                                                                    |
| <b>Examples</b>  | TRIGger:A:WINDow:WIDTh 4.5e-9 sets the minimum width for a window violation to 4.5 ns.<br><br>TRIGger:A:WINDow:WIDTh? might return :TRIGGER:A:WINDOW:WIDTH 4.0E-9 indicating that 4.0 ns is the minimum width for a window violation. |

## TRIGger:A:HOLDoff:BY

This command sets or queries the type of holdoff for the A trigger. Holdoff types are expressed as either user-specified time (TIME) or by an internally calculated random time value (RANDOM). This command is equivalent to selecting Mode & Holdoff from the Trig menu and then setting the Holdoff type.

|                         |                                                                                                                                                                                                                                     |
|-------------------------|-------------------------------------------------------------------------------------------------------------------------------------------------------------------------------------------------------------------------------------|
| <b>Group</b>            | Trigger                                                                                                                                                                                                                             |
| <b>Syntax</b>           | TRIGger:A:HOLDoff:BY {TIME RANDOM}<br>TRIGger:A:HOLDoff:BY?                                                                                                                                                                         |
| <b>Related Commands</b> | <a href="#">TRIGger:A:HOLDoff:TIME</a>                                                                                                                                                                                              |
| <b>Arguments</b>        | TIME enables you to set the holdoff time via the <a href="#">TRIGger:A:HOLDoff:TIME</a> command.<br><br>RANDOM specifies a random time value.                                                                                       |
| <b>Examples</b>         | TRIGGER:A:HOLDOFF:BY TIME sets the holdoff to the "by time" setting. This enables you to set the holdoff time.<br><br>TRIGGER:A:HOLDOFF:BY? might return :TRIGGER:A:HOLDOFF:BY TIME, indicating that you will set the holdoff time. |

## TRIGger:A:HOLDoff:TIME

This command sets or queries the A trigger holdoff time. This command is equivalent to selecting Mode & Holdoff from the Trig menu, selecting Time, and then setting the desired Holdoff Time.

**Group** Trigger

**Syntax** TRIGger:A:HOLDoff:TIME <NR3>  
TRIGger:A:HOLDoff:TIME?

**Related Commands** [TRIGger:A:HOLDoff:BY](#)

**Arguments** <NR3> specifies the holdoff time in seconds. The range is from 0 seconds through 10 seconds.

**Examples** TRIGGER:A:HOLDOFF:TIME 10 sets the A trigger holdoff time to 10 s.  
TRIGGER:A:HOLDOFF:TIME? might return :TRIGGER:A:HOLDOFFTIME  
1.2000E-06, indicating that the A trigger holdoff time is set to 1.2  $\mu$ s.

## TRIGger:A:LOGICQUALification

This command sets or queries the type of logic qualification to perform.

**Group** Trigger

**Syntax** TRIGger:A:LOGICQUALification {AND|OR|NAND|NOR}  
TRIGger:A:LOGICQUALification?

**Arguments** AND specifies to trigger if all conditions are true.  
NAND specifies to trigger if any of the conditions are false.  
NOR specifies to trigger if all conditions are false.  
OR specifies to trigger if any of the conditions are true.

**Examples** TRIGGER:A:LOGICQUALIFICATION OR specifies to trigger if any of the conditions are true.

TRIGGER:A:LOGICQUALIFICATION? might return  
TRIGGER:A:LOGICQUALIFICATION AND indicating the instrument will trigger  
if all conditions are true.

## TRIGger:A:MODE

This command sets or queries the A trigger mode. This command is equivalent to pushing the Mode button on the front panel.

|                  |                                                                                                                                                          |
|------------------|----------------------------------------------------------------------------------------------------------------------------------------------------------|
| <b>Group</b>     | Trigger                                                                                                                                                  |
| <b>Syntax</b>    | TRIGger:A:MODE {AUTO NORMa1}<br>TRIGger:A:MODE?                                                                                                          |
| <b>Arguments</b> | AUTO generates a trigger if one is not detected within a specified time period.<br>NORMa1 waits for a valid trigger event.                               |
| <b>Examples</b>  | TRIGGER:A:MODE NORMAL sets the trigger mode to normal.<br>TRIGGER:A:MODE? might return TRIGGER:A:MODE AUTO, indicating that the<br>trigger mode is auto. |

## TRIGger:AUXLevel

For those instruments that have an Auxiliary Input (such as an MSO58LP), this command sets or queries the Auxiliary Input voltage level to use for an edge trigger.

|                  |                                                                                                                   |
|------------------|-------------------------------------------------------------------------------------------------------------------|
| <b>Group</b>     | Trigger                                                                                                           |
| <b>Syntax</b>    | TRIGger:AUXLeve1 {<NR3> ECL TTL}<br>TRIGger:AUXLeve1?                                                             |
| <b>Arguments</b> | <NR3> is trigger level in Volts.<br>ECL sets trigger level to -1.3 Volts.<br>TTL sets trigger level to 1.4 Volts. |
| <b>Returns</b>   | <NR3> is trigger level in Volts.                                                                                  |



**Examples** TRIGGER:AUXLevel 1.2 sets trigger level for the Auxiliary Input to 1.2 Volts.

## TRIGGER:B:BY

This command selects or returns whether the B trigger occurs after a specified number of events or a specified period of time after the A trigger.

**Group** Trigger

**Syntax** TRIGGER:B:BY {EVENTS|TIME}  
TRIGGER:B:BY?

**Related Commands** [TRIGGER:B:EVENTS:COUNT](#)  
[TRIGGER:B:TIME](#)  
[TRIGGER:B:STATE](#)

**Arguments** EVENTS sets the B trigger to take place following a set number of trigger events after the A trigger occurs. The number of events is specified by TRIGGER:B:EVENTS:COUNT.

TIME sets the B trigger to occur a set time after the A trigger event. The time period is specified by TRIGGER:B:TIME.

**Examples** TRIGGER:B:BY TIME sets the B trigger to occur at a set time after the A trigger event.

TRIGGER:B:BY? might return TRIGGER:B:BY EVENTS, indicating that the B trigger takes place following a set number of trigger events after the A trigger occurs.

## TRIGGER:B:EVENTS:COUNT

This command sets or queries the number of events that must occur before the B trigger. The B trigger event count applies only if TRIGGER:B:BY is set to EVENTS.

**Group** Trigger

**Syntax** TRIGGER:B:EVENTS:COUNT <NR1>  
TRIGGER:B:EVENTS:COUNT?

**Related Commands**    [TRIGger:B:STATE](#)

**Arguments**    <NR1> is the number of B trigger events, which can range from 1 to 65,471.

**Examples**    TRIGGER:B:EVENTS:COUNT 4 sets the number of B trigger events to four.  
TRIGGER:B:EVENTS:COUNT? might return TRIGGER:B:EVENTS:COUNT 2, indicating that two events must occur after the A trigger before the B trigger can occur.

## TRIGger:B:RESET (No Query Form)

This command sets the B reset trigger level to 50%.

**Group**    Trigger

**Syntax**    TRIGger:B:RESET SETLeve1

**Arguments**    SETLeve1 sets the B reset trigger level to 50%.

**Examples**    TRIGger:B:RESET SETLeve1 sets the B reset trigger level to 50%.

## TRIGger:B:RESET:EDGE:COUPling

Sets or queries the trigger coupling for a sequential edge trigger reset when the Source is set to an analog channel.

**Group**    Trigger

**Syntax**    TRIGger:B:RESET:EDGE:COUPling {DC|HFRej|LFRej|NOISerej}  
TRIGger:B:RESET:EDGE:COUPling?

**Related Commands**

**Arguments**    DC selects DC trigger coupling.  
HFRej selects high frequency low sensitivity.  
LFRej selects low frequency low sensitivity.  
NOISerej selects DC low sensitivity.

**Examples** TRIGGER:B:RESET:EDGE:COUPLING HFREJ sets high frequency low sensitivity.

TRIGGER:B:RESET:EDGE:COUPLING? might return  
TRIGGER:B:RESET:EDGE:COUPLING DC indicating DC trigger coupling is selected.

## TRIGger:B:RESET:EDGE:LEVEL

This command sets the voltage level to use for an Edge Reset trigger when triggering on an analog channel waveform.

**Group** Trigger

**Syntax** TRIGger:B:RESET:EDGE:LEVEL <NR3>

**Arguments** <NR3> is the voltage level to use for an Edge Reset trigger when triggering on an analog channel waveform.

**Examples** TRIGGER:B:RESET:EDGE:LEVEL 50.0e-3 sets the level to 50.0 mV.

TRIGGER:B:RESET:EDGE:LEVEL? might return  
TRIGGER:B:RESET:EDGE:LEVEL 0.0E+0 indicating the level is set to 0.0 V.

## TRIGger:B:RESET:EDGE:SLOPE

This command sets or queries the trigger slope for a sequential edge trigger reset.

**Group** Trigger

**Syntax** TRIGger:B:RESET:EDGE:SLOPE {RISe|FALL|EITHer}  
TRIGger:B:RESET:EDGE:SLOPE?

**Arguments** RISe specifies to reset the trigger on the rising or positive edge of a signal.  
FALL specifies to reset the trigger on the falling or negative edge of a signal.  
EITHer specified to reset the trigger on either the rising or falling edge of a signal.

**Examples** TRIGGER:B:RESET:EDGE:SLOPE FALL specifies to reset the trigger on the falling or negative edge of a signal.

TRIGGER:B:RESET:EDGE:SLOPE? might return  
TRIGGER:B:RESET:EDGE:SLOPE RISE indicating the instrument is set to reset  
the trigger on the rising or positive edge of a signal.

## TRIGger:B:RESET:EDGE:SOURce

This command sets or queries the trigger source for the A→B sequential edge  
trigger reset feature.

**Group** Trigger

**Syntax** TRIGger:B:RESET:EDGE:SOURce {CH<x>|CH<x>\_D<x>}  
TRIGger:B:RESET:EDGE:SOURce?

**Arguments** CH<x> specifies an analog channel as the trigger source.  
CH<x>\_D<x> specifies a digital channel as the trigger source.

**Examples** TRIGGER:B:RESET:EDGE:SOURCE CH4 sets Channel 4 as the input source for  
the trigger reset.  
TRIGGER:B:RESET:EDGE:SOURCE? might return  
TRIGGER:B:RESET:EDGE:SOURCE CH1, indicating that the current input  
source for the trigger reset is Channel 1.

## TRIGger:B:RESET:TIMEOut:TIME

This command sets or queries the reset timer for a sequential timeout trigger reset.

**Group** Trigger

**Syntax** TRIGger:B:RESET:TIMEOut:TIME <NR3>  
TRIGger:B:RESET:TIMEOut:TIME?

**Arguments** <NR3> is the reset timer for a sequential timeout trigger reset.

**Examples** TRIGGER:B:RESET:TIMEOUT:TIME 100e-9 sets the time to 100 ns.  
TRIGGER:B:RESET:TIMEOUT:TIME? might return  
TRIGGER:B:RESET:TIMEOUT:TIME 20.0E-9 indicating the timeout time  
is set to 20 ns.

## TRIGger:B:RESET:TYPE

This command sets or queries the type of A→B sequential trigger reset. If the B trigger reset is active, the reset criteria are part of the B triggering sequence. If the reset conditions defined by the reset type are met, the instrument must start over searching for a new occurrence of the A event.

You must identify a trigger Source and Threshold for each reset type, except for the Timeout trigger type.

---

**NOTE.** *If a reset condition occurs, the reset criteria itself is reset and must start over.*

---

|                  |                                                                                                                                                                                                                                    |
|------------------|------------------------------------------------------------------------------------------------------------------------------------------------------------------------------------------------------------------------------------|
| <b>Group</b>     | Trigger                                                                                                                                                                                                                            |
| <b>Syntax</b>    | TRIGger:B:RESET:TYPE {NONE TIMEOut EDGE}<br>TRIGger:B:RESET:TYPE?                                                                                                                                                                  |
| <b>Arguments</b> | NONE defeats the trigger reset feature.<br><br>TIMEOut initiates a reset if the timeout conditions specified by TRIGger:B:RESET:TIMEOut are met.<br><br>EDGE initiates a reset if the edge trigger conditions are met.             |
| <b>Examples</b>  | TRIGGER:B:RESET:TYPE NONE deactivates the sequential trigger reset.<br><br>TRIGGER:B:RESET:TYPE? This query might return TRIGGER:B:RESET:TYPE TIMEOUT, indicating that the sequential trigger reset is active following a timeout. |

## TRIGger:B:STATE

This command sets or queries the state of B trigger activity. If the B trigger state is on, the B trigger is part of the triggering sequence. If the B trigger state is off, then only the A trigger causes the trigger event.

|                         |                                                    |
|-------------------------|----------------------------------------------------|
| <b>Group</b>            | Trigger                                            |
| <b>Syntax</b>           | TRIGger:B:STATE {ON OFF <NR1>}<br>TRIGger:B:STATE? |
| <b>Related Commands</b> | <a href="#">TRIGger:A:MODE</a>                     |

**Arguments** ON indicates that the B trigger is active and causes trigger events with the A trigger.  
OFF indicates that only the A trigger causes trigger events.  
<NR1> is an integer number. 0 turns off the B trigger; any other value activates the B trigger.

**Examples** TRIGGER:B:STATE ON sets the B trigger to active, making it capable of causing trigger events.  
TRIGGER:B:STATE? might return TRIGGER:B:STATE 0, indicating that the B trigger is inactive and that only the A trigger causes trigger events.

## TRIGger:B:TIME

This command sets or queries B trigger delay time, in seconds. The B Trigger time applies only if TRIGger:B:BY is set to TIME.

**Group** Trigger

**Syntax** TRIGger:B:TIME <NR3>  
TRIGger:B:TIME?

**Related Commands** [TRIGger:B:BY](#)  
[TRIGger:B:EVENTS:COUNT](#)  
[TRIGger:B:STATE](#)

**Arguments** <NR3> is the B trigger delay time in seconds.

**Examples** TRIGGER:B:TIME 4E-6 sets the B trigger delay time to 4  $\mu$ s.  
TRIGGER:B:TIME? might return TRIGGER:B:TIME 16.0000E-9, indicating that the B trigger time is set to 16 ns.

## TRIGger:HYSteresis:USER:STATe

This command enables or disables user-defined trigger hysteresis.

**Group** Trigger

**Syntax** TRIGGER:HYStereSis:USER:STATe {ON|OFF|1|0}  
TRIGGER:HYStereSis:USER:STATe?

**Related Commands** [TRIGGER:HYStereSis:USER:VALue](#)

**Arguments** ON enables user-defined trigger hysteresis.  
OFF disables user-defined trigger hysteresis.  
1 enables user-defined trigger hysteresis.  
0 disables user-defined trigger hysteresis.

**Examples** TRIGGER:HYStereSis:USER:STATe ON enables user-defined trigger hysteresis.  
TRIGGER:HYStereSis:USER:STATe? might return  
TRIGGER:HYStereSis:USER:STATe 0, indicating that the user-defined trigger hysteresis is disabled.

## TRIGGER:HYStereSis:USER:VALue

This command sets or returns the height of the user-defined trigger hysteresis zone in volts.

**Group** Trigger

**Syntax** TRIGGER:HYStereSis:USER:VALue <NR1>  
TRIGGER:HYStereSis:USER:VALue?

**Related Commands** [TRIGGER:HYStereSis:USER:STATe](#)

**Arguments** <NR1> sets the height of the hysteresis zone in volts.

**Examples** TRIGGER:HYStereSis:USER:VALue 27.0e-3 sets the height of the hysteresis zone to 27 mV.

TRIGGER:HYStereSis:USER:VALue? might return  
TRIGGER:HYStereSis:USER:VALue 27.0e-3, indicating that the height of the hysteresis zone is 27 mV.

## TRIGger:STATE? (Query Only)

This query-only command returns the current state of the triggering system.

**Group** Trigger

**Syntax** TRIGger:STATE?

**Related Commands** [TRIGger:A:MODE](#)

**Returns** ARMED indicates that the instrument is acquiring pretrigger information.  
AUTO indicates that the instrument is in the automatic mode and acquires data even in the absence of a trigger.  
READY indicates that all pretrigger information is acquired and that the instrument is ready to accept a trigger.  
SAVE indicates that the instrument is in save mode and is not acquiring data.  
TRIGGER indicates that the instrument triggered and is acquiring the post trigger information.

**Examples** TRIGGER:STATE? might return TRIGGER:STATE ARMED, indicating that the pretrigger data is being acquired.

## TRIGger:STATUs? (Query Only)

This query-only command returns the current status of the triggering system.

**Group** Trigger

**Syntax** TRIGger:STATUs?

**Returns** ARM indicates that the instrument is acquiring pretrigger information.  
AUTO indicates that the instrument is in the automatic mode and acquires data even in the absence of a trigger.  
REA indicates that all pretrigger information is acquired and that the instrument is ready to accept a trigger.  
SAV indicates that the instrument is in save mode and is not acquiring data.



TRIG indicates that the instrument triggered and is acquiring the post trigger information.

**Examples** TRIGGER:STATUS? might return :TRIGGER:STATUS ARM, indicating that the pretrigger data is being acquired.

## \*TST? (Query Only)

Tests (self-test) the interface and returns a 0.

**Group** Miscellaneous

**Syntax** \*TST?

**Examples** \*TST? always returns 0.

## TSTamptable:ADDNew (No Query Form)

This command adds a new History time stamp results table to the scope application.

**Group** History

**Syntax** TSTamptable:ADDNew <QString>

**Arguments** <QString> specifies the History time stamp results table name.

**Examples** TSTAMPABLE:ADDNEW "TABLE1" adds a new table view by the name TABLE1.

## TSTamptable:DELETE (No Query Form)

This command deletes the requested History time stamp results table.

**Group** History

**Syntax** TSTamptable:DELETE <QString>

**Arguments** <QString> specifies the History time stamp results table name.

**Examples** TSTAMPtable:DELETE "TABLE1" deletes History time stamp results table TABLE1 from the view.

## TSTamptable:LIST? (Query Only)

This command queries the list of History time stamp results tables has been added.

**Group** History

**Syntax** TSTamptable:LIST?

**Returns** Returns a list of all currently defined History time stamp results tables.

**Examples** TSTAMPtable:LIST? might return :TSTamptable:LIST TABLE1, TABLE2, indicating there are two History time stamp result tables.

## UNDO (No Query Form)

Reverts the instrument settings to a state before the previous command or user interface action.

**Group** Miscellaneous

**Syntax** UNDO

**Examples** UNDO reverts the instrument settings to a state before the previous command or user interface action.

## UNLock (No Query Form)

This command (no query form) unlocks the front panel controls only. To unlock the front panel controls and the touch screen use the LOCK NONE command. The command TOUCHScreen:STATE ON enables the touch screen only.

**NOTE.** *If the instrument is in the Remote With Lockout State (RWLS), the UNLock command has no effect. For more information, see the ANSI-IEEE Std 488.1-1987 Standard Digital Interface for Programmable Instrumentation, section 2.8.3 on RL State Descriptions.*

---

|                         |                                                                    |
|-------------------------|--------------------------------------------------------------------|
| <b>Group</b>            | Miscellaneous                                                      |
| <b>Syntax</b>           | UNLock ALL                                                         |
| <b>Related Commands</b> | <a href="#">LOCK</a>                                               |
| <b>Arguments</b>        | ALL specifies that all front panel buttons and knobs are unlocked. |
| <b>Examples</b>         | UNLOCK ALL unlocks all front panel buttons and knobs.              |

## USBDevice:CONFigure

This command may be used to configure the rear USB port to be off or enabled as a USBTMC device. Users should be cautious using this command via the USBTMC interface as a change to the configuration of this interface from a USBTMC device will cause USBTMC communication to cease. It is intended to be used via the Ethernet interface to control the USB device interface.

|                  |                                                                                                                                                                   |
|------------------|-------------------------------------------------------------------------------------------------------------------------------------------------------------------|
| <b>Group</b>     | Miscellaneous                                                                                                                                                     |
| <b>Syntax</b>    | USBDevice:CONFigure {DISabled USBTmc}<br>USBDevice:CONFigure?                                                                                                     |
| <b>Arguments</b> | DISabled will disable the rear USB port.<br>USBTmc enables the rear USB port.                                                                                     |
| <b>Examples</b>  | USBDEVICE:CONFIGURE DISABLED will disable the rear USB port.<br>USBDEVICE:CONFIGURE? might return :USBDEVICE:CONFIGURE USBTMC indicating the USB port is enabled. |

## VERBoSe

This command sets or queries the Verbose state that controls the length of keywords on query responses. Keywords can be both headers and arguments.

---

**NOTE.** *This command does not affect IEEE Std 488.2-1987 Common Commands (those starting with an asterisk).*

---

|                         |                                                                                                                                                                                                                                                                                                                                                                                                                                                                                                                                                                                                                                                                              |
|-------------------------|------------------------------------------------------------------------------------------------------------------------------------------------------------------------------------------------------------------------------------------------------------------------------------------------------------------------------------------------------------------------------------------------------------------------------------------------------------------------------------------------------------------------------------------------------------------------------------------------------------------------------------------------------------------------------|
| <b>Group</b>            | Miscellaneous                                                                                                                                                                                                                                                                                                                                                                                                                                                                                                                                                                                                                                                                |
| <b>Syntax</b>           | VERBoSe {<NR1> OFF ON}                                                                                                                                                                                                                                                                                                                                                                                                                                                                                                                                                                                                                                                       |
| <b>Related Commands</b> | <a href="#">HEADer</a><br><a href="#">*LRN?</a><br><a href="#">SET?</a>                                                                                                                                                                                                                                                                                                                                                                                                                                                                                                                                                                                                      |
| <b>Arguments</b>        | <p>&lt;NR1&gt; = 0 disables Verbose, any other value enables Verbose.</p> <p>OFF sets the Verbose state to false, which returns minimum-length keywords for applicable setting queries.</p> <p>ON sets the Verbose state to true, which returns full-length keywords for applicable setting queries.</p> <p>A 0 returns minimum-length keywords for applicable setting queries; any other value returns full-length keywords.</p>                                                                                                                                                                                                                                            |
| <b>Examples</b>         | <p>VERBOSE ON sets the Verbose state to true and return the full length keyword for the applicable setting queries.</p> <p>VERBOSE? might return :VERBOSE OFF, indicating that the Verbose state is set to false and return the minimum-length keywords for the applicable setting queries.</p> <p>With :HEADer ON and :VERBoSe ON, the :ACQuire:MODE? query might return: :ACQUIRE:MODE SAMPLE</p> <p>With :HEADer ON and :VERBoSe OFF, the :ACQuire:MODE? query might return: :ACQ:MOD SAM</p> <p>With :HEADer OFF and :VERBOSe ON, the :ACQuire:MODE? query might return: SAMPLE</p> <p>With :HEADer OFF and :VERBOSe OFF, the :ACQuire:MODE? query might return: SAM</p> |

## VERTical:DESKew:FROM:CUSTOMPROPagation

This command sets or queries a target (FROM) delay that you can specify when the propagation delay of the target (FROM) probe used for deskew cannot be detected automatically.

|                  |                                                                                                                                                                                                                                             |
|------------------|---------------------------------------------------------------------------------------------------------------------------------------------------------------------------------------------------------------------------------------------|
| <b>Group</b>     | Vertical                                                                                                                                                                                                                                    |
| <b>Syntax</b>    | VERTical:DESKew:FROM:CUSTOMPROPagation <NR3><br>VERTical:DESKew:FROM:CUSTOMPROPagation?                                                                                                                                                     |
| <b>Arguments</b> | <NR3> is a target (FROM) delay that you can specify when the propagation delay of the target (FROM) probe used for deskew cannot be detected automatically.                                                                                 |
| <b>Examples</b>  | <p>VERTICAL:DESKEW:FROM:CUSTOMPROPAGATION 0.25e-9 sets the custom delay to 250 ps.</p> <p>VERTICAL:DESKEW:FROM:CUSTOMPROPAGATION? might return<br/>:VERTICAL:DESKEW:FROM:CUSTOMPROPAGATION 0.0E+0 indicating the custom delay is 0.0 s.</p> |

## VERTical:DESKew:FROM:SOURce

This command sets or queries the source channel for performing channel-to-channel deskew adjustment. Sources can be any of the analog channels.

|                  |                                                                                                                                                                                                          |
|------------------|----------------------------------------------------------------------------------------------------------------------------------------------------------------------------------------------------------|
| <b>Group</b>     | Vertical                                                                                                                                                                                                 |
| <b>Syntax</b>    | VERTical:DESKew:FROM:SOURce CH<x><br>VERTical:DESKew:FROM:SOURce?                                                                                                                                        |
| <b>Arguments</b> | CH<x> specifies an analog channel as the source.                                                                                                                                                         |
| <b>Examples</b>  | <p>VERTICAL:DESKEW:FROM:SOURCE CH1 sets channel 1 as the from source.</p> <p>VERTICAL:DESKEW:FROM:SOURCE? might return<br/>:VERTICAL:DESKEW:FROM:SOURCE CH2 indicating channel 2 is the from source.</p> |

## VERTical:DESKew:STATIC (No Query Form)

This command executes static deskew using the deskew settings.

|                  |                                                                                      |
|------------------|--------------------------------------------------------------------------------------|
| <b>Group</b>     | Vertical                                                                             |
| <b>Syntax</b>    | VERTical:DESKew:STATIC EXECute                                                       |
| <b>Arguments</b> | EXECute will execute static deskew using the deskew settings.                        |
| <b>Examples</b>  | VERTICAL:DESKew:STATIC EXECUTE will execute static deskew using the deskew settings. |

## VERTical:DESKew:TO:CUSTOMPROPAGation

This command sets or queries a target (TO) delay that can be specified by the user when the propagation delay of the target (TO) probe used for deskew cannot be detected automatically.

|                  |                                                                                                                                                                                                                                                   |
|------------------|---------------------------------------------------------------------------------------------------------------------------------------------------------------------------------------------------------------------------------------------------|
| <b>Group</b>     | Vertical                                                                                                                                                                                                                                          |
| <b>Syntax</b>    | VERTical:DESKew:TO:CUSTOMPROPAGation <NR3>                                                                                                                                                                                                        |
| <b>Arguments</b> | <NR3> is a target (TO) delay that can be specified by the user when the propagation delay of the target (TO) probe used for deskew cannot be detected automatically.                                                                              |
| <b>Examples</b>  | VERTICAL:DESKew:TO:CUSTOMPROPAGATION 0.25e-9 sets the custom propagation to 250 ps.<br><br>VERTICAL:DESKew:TO:CUSTOMPROPAGATION? might return<br>:VERTICAL:DESKew:TO:CUSTOMPROPAGATION 0.0E+0 indicating the custom propagation is set to 0.0 ns. |

## VERTical:DESKew:TO:SOURce

This command sets or queries the target channel for performing channel-to-channel deskew adjustment. Target sources can be any of the live analog channels.

|              |          |
|--------------|----------|
| <b>Group</b> | Vertical |
|--------------|----------|

|                  |                                                                                                                                                                                                                                         |
|------------------|-----------------------------------------------------------------------------------------------------------------------------------------------------------------------------------------------------------------------------------------|
| <b>Syntax</b>    | <code>VERTical:DESKew:TO:SOURce CH&lt;x&gt;</code><br><code>VERTical:DESKew:TO:SOURce?</code>                                                                                                                                           |
| <b>Arguments</b> | <code>CH&lt;x&gt;</code> specifies an analog channel as the source.                                                                                                                                                                     |
| <b>Examples</b>  | <code>VERTICAL:DESKEW:TO:SOURCE CH4</code> sets the deskew to source is channel 4.<br><code>VERTICAL:DESKEW:TO:SOURCE?</code> might return<br><code>:VERTICAL:DESKEW:TO:SOURCE CH2</code> indicating the deskew to source is channel 2. |

## VISual:AREA<x>:ASPEctratio

Sets or queries whether the aspect ratio of the specified Visual Trigger area is locked.

|                  |                                                                                                                                                                                                                                                                                                                                                                                                                                                                                                                                                 |
|------------------|-------------------------------------------------------------------------------------------------------------------------------------------------------------------------------------------------------------------------------------------------------------------------------------------------------------------------------------------------------------------------------------------------------------------------------------------------------------------------------------------------------------------------------------------------|
| <b>Group</b>     | Trigger                                                                                                                                                                                                                                                                                                                                                                                                                                                                                                                                         |
| <b>Syntax</b>    | <code>VISual:AREA&lt;x&gt;:ASPEctratio {ON OFF &lt;NR1&gt;}</code><br><code>VISual:AREA&lt;x&gt;:ASPEctratio?</code>                                                                                                                                                                                                                                                                                                                                                                                                                            |
| <b>Arguments</b> | <code>Area&lt;x&gt;</code> specifies the integer number of a Visual Trigger area.<br><br><code>ON</code> locks the aspect ratio of the specified Visual Trigger area. The aspect ratio is kept constant when the height or width of the area changes.<br><br><code>OFF</code> unlocks the aspect ratio of the specified Visual Trigger area.<br><br><code>&lt;NR1&gt;</code> is an integer number. 1 locks the aspect ratio of the specified Visual Trigger area; any other value unlocks the aspect ratio of the specified Visual Trigger area |
| <b>Examples</b>  | <code>VISual:AREA6:ASPEctratio ON</code> locks the aspect ratio of area 6.<br><br><code>VISual:AREA2:ASPEctratio?</code> might return <code>VISual:AREA2:ASPEctratio OFF,</code> indicating that the aspect ratio of area 2 is not locked.                                                                                                                                                                                                                                                                                                      |

## VISual:AREA<x>:FLIP:HORizontal (No Query Form)

Flips the specified Visual Trigger area horizontally around its center point.

|              |         |
|--------------|---------|
| <b>Group</b> | Trigger |
|--------------|---------|

**Syntax** VISual:AREA<x>:FLIP:HORizontal

**Related Commands** [VISual:AREA<x>:FLIP:VERTical](#)

**Arguments** AREA<x> specifies the integer number of a Visual Trigger area.

**Examples** VISual:AREA1:FLIP:HORizontal horizontally flips area 1.

## VISual:AREA<x>:FLIP:VERTical (No Query Form)

Flips the specified Visual Trigger area vertically around its center point.

**Group** Trigger

**Syntax** VISual:AREA<x>:FLIP:VERTical

**Related Commands** [VISual:AREA<x>:FLIP:HORizontal](#)

**Arguments** AREA<x> specifies the integer number of a Visual Trigger area.

**Examples** VISual:AREA8:FLIP:VERTical vertically flips area 8.

## VISual:AREA<x>:HEIGHT

Sets or queries the height of the specified Visual Trigger area.

**Group** Trigger

**Syntax** VISual:AREA<x>:HEIGHT <NR3>  
VISual:AREA<x>:HEIGHT?

**Arguments** AREA<x> specifies the integer number of a Visual Trigger area.  
<NR3> specifies the height of the Visual Trigger area in amplitude.



**Examples** `VISua1:AREA51:HEIGHt 3.5` sets the height of area 51 to 3.5 (volts or Amps).  
`VISua1:AREA4:HEIGHt?` might return `VISua1:AREA4:HEIGHt 15`, indicating that the height of area 4 is 15.

## VISual:AREA<x>:HITType

Sets or queries the area hit logic true condition for the specified Visual Trigger area.

**Group** Trigger

**Syntax** `VISua1:AREA<x>:HITType {IN|OUT|DONTcare}`  
`VISua1:AREA<x>:HITType?`

**Arguments** `AREA<x>` specifies the integer number of a Visual Trigger area.

`IN` specifies that the waveform must intrude anywhere into the specified area to be true.

`OUT` specifies that the waveform must not intrude anywhere into the specified area to be true.

`DONTcare` sets the area to a don't care state, causing the area to be ignored. This is useful when you are developing a Visual Trigger condition and need to change the hit logic type of an area while keeping the area.

**Examples** `VISua1:AREA2:HITType OUT` sets the area 2 hit type to OUT.  
`VISua1:AREA5:HITType?` might return `VISua1:AREA5:HITType IN`, indicating that the waveform must intrude into area 5 to be true.

## VISual:AREA<x>:RESET (No Query Form)

Sets the specified Visual Trigger area shape to a default-sized triangle.

**Group** Trigger

**Syntax** `VISua1:AREA<x>:RESET`

**Arguments** `AREA<x>` specifies the integer number of a Visual Trigger area.

**Examples**    `VISual:AREA2:RESET` changes area 2 to a default triangle shape.

## VISual:AREA<x>:ROTation

Sets or queries the rotation angle of the specified Visual Trigger area.

**Group**    Trigger

**Syntax**    `VISual:AREA<x>:ROTation <NR3>`  
`VISual:AREA<x>:ROTation?`

**Arguments**    `AREA<x>` specifies the integer number of a Visual Trigger area.  
  
`<NR3>` specifies the rotation angle of the Visual Trigger area, in positive degrees from 0 to 360. Zero degrees is referenced from when the area was created.

**Examples**    `VISual:AREA2:ROTation 45` rotates Visual Trigger area 2 by 45 degrees.  
  
`VISual:AREA1:ROTation?` might return `VISual:AREA1:ROTation -60`, indicating that area 4 rotation position is minus 60 degrees.

## VISual:AREA<x>:SHAPE

Sets or queries the current shape of the area.

**Group**    Trigger

**Syntax**    `VISual:AREA<x>:SHAPE {TRIANGLE|RECTANGLE|TRAPEZOID|HEXAGON}`  
`VISual:AREA<x>:SHAPE?`

**Arguments**    `AREA<x>` specifies the integer number of a Visual Trigger area.  
  
`TRIANGLE` sets the specified area to a triangular shape (three vertices). If the area does not exist, the instrument creates a new triangular area with the specified area number.  
  
`RECTANGLE` sets the specified area to a rectangular shape (four vertices, right angles at each corner). If the area does not exist, the instrument creates a new triangular area with the specified area number.  
  
`TRAPEZOID` sets the specified area to a trapezoidal shape (four vertices, two parallel sides). If the area does not exist, the instrument creates a new triangular area with the specified area number.

HEXAgon sets the specified area to a hexagonal shape (six vertices). If the area does not exist, the instrument creates a new hexagonal area with the specified area number.

**Returns** CUSTOm indicates that the shape is a custom-created shape, or the positions of one or more vertices of a standard shape have been changed.

**Examples** VISua1:AREA1:SHAPE Hexagon sets area 1 to be a hexagonal shape, or creates a new area 1 hexagonal shape if the specified area does not exist.

VISua1:AREA2:SHAPE? might return VISua1:AREA2:SHAPE CUSTOM, indicating that area 2 is a custom shape.

## VISua1:AREA<x>:SOUrce

Sets or queries the signal source for the specified Visual Trigger area. The source can only be an analog channel.

**Group** Trigger

**Syntax** VISua1:AREA<x>:SOUrce CH<x>  
VISua1:AREA<x>:SOUrce?

**Arguments** AREA<x> specifies the integer number of a Visual Trigger area.

CH<x> sets the source channel number for the specified area. The channel number is specified by <x>.

**Examples** VISua1:AREA1:SOUrce CH3 sets the source channel number for area 1 to Channel 3.

VISua1:AREA6:SOUrce? might return VISua1:AREA6:SOUrce CH8, indicating that the source for area 6 is Channel 8.

## VISua1:AREA<x>:VERTICES

Sets or queries the X and Y vertex coordinate values for all vertices of the specified Visual Trigger area. Vertex values must be set in pairs.

**Group** Trigger

**Syntax** `VISua1:AREA<x>:VERTICES "<NR3>, <NR3>, <NR3>, <NR3>, <NR3>, <NR3> [, <NR3>, <NR3>, ...]"`  
`VISua1:AREA<x>:VERTICES?`

**Arguments** `AREA<x>` specifies the integer number of a Visual Trigger area.  
`<NR3>, <NR3>` specifies the X, Y coordinate pair of each vertex in an area. The first value is X (time) and the second value is Y (amplitude). There must be a minimum of three vertex pairs to create an area. If the specified area exists, the area is changed to the shape specified in the arguments. If the specified area does not exist, a new area is created and assigned the specified vertices.

**Examples** `VISua1:AREA3:VERTICES`  
`"400E-9,1,400E-9,0.5,600E-9,0.5,600E-9,1"` sets or creates area 3 as a rectangle that is 200 ns wide by 500 mV high.  
`VISua1:AREA3:VERTICES?` might return `VISua1:AREA3:VERTICES`  
`"171.1E-9,-141.7E-3,321.1E-9,-141.7E-3,283.6E-9,1.708,208.6E-9,1.708"`, indicating that area 3 is defined as a trapezoid that is 150 ns wide by 1.85 V high.

## VISua1:AREA<x>:WIDTH

Sets or queries the width of the specified Visual Trigger area.

**Group** Trigger

**Syntax** `VISua1:AREA<x>:WIDTH <NR3>`  
`VISua1:AREA<x>:WIDTH?`

**Arguments** `AREA<x>` specifies the integer number of a Visual Trigger area.  
`<NR3>` specifies the width of the Visual Trigger area in seconds.

**Examples** `VISua1:AREA5:WIDTH 0.000045` sets the width of area 5 to 4.5  $\mu$ s.  
`VISua1:AREA3:WIDTH?` might return `VISua1:AREA3:WIDTH 0.000016`, indicating that the width of area 3 is 16  $\mu$ s.

## VISua1:AREA<x>:XPOSITION

Sets or queries the horizontal (X-axis) center position of the specified Visual Trigger area.

|                  |                                                                                                                                                                                                                                                                     |
|------------------|---------------------------------------------------------------------------------------------------------------------------------------------------------------------------------------------------------------------------------------------------------------------|
| <b>Group</b>     | Trigger                                                                                                                                                                                                                                                             |
| <b>Syntax</b>    | VISual:AREA<x>:XPOSITION <NR3><br>VISual:AREA<x>:XPOSITION?                                                                                                                                                                                                         |
| <b>Arguments</b> | AREA<x> specifies the integer number of a Visual Trigger area.<br><br><NR3> specifies the horizontal position of the center of the Visual Trigger area, in seconds.                                                                                                 |
| <b>Examples</b>  | VISual:AREA1:XPOSITION -6.9e-6 sets the horizontal center of area 1 to be -6.9 $\mu$ s from the trigger point.<br><br>VISual:AREA3:XPOSITION? might return VISual:AREA3:XPOSITION 8.0e-6, indicating that the center of area 3 is 8 $\mu$ s from the trigger point. |

## VISual:AREA<x>:YPOSITION

Sets or queries the vertical (Y-axis) center position of the specified Visual Trigger area.

|                  |                                                                                                                                                                                                             |
|------------------|-------------------------------------------------------------------------------------------------------------------------------------------------------------------------------------------------------------|
| <b>Group</b>     | Trigger                                                                                                                                                                                                     |
| <b>Syntax</b>    | VISual:AREA<x>:YPOSITION <NR3><br>VISual:AREA<x>:YPOSITION?                                                                                                                                                 |
| <b>Arguments</b> | AREA<x> specifies the integer number of a Visual Trigger area.<br><br><NR3> specifies the vertical position of the center of the Visual Trigger area, in amplitude (volts, amps).                           |
| <b>Examples</b>  | VISual:AREA1:YPOSITION 0.5 sets the vertical center of area 1 to be 500 mV.<br><br>VISual:AREA3:YPOSITION? might return VISual:AREA3:YPOSITION 2, indicating that the vertical center of area 3 is 2 volts. |

## VISual:DELETEALL (No Query Form)

Deletes all Visual Trigger areas.

|              |         |
|--------------|---------|
| <b>Group</b> | Trigger |
|--------------|---------|

**Syntax** VISUAL:DELETEALL

**Examples** VISUAL:DELETEALL deletes all Visual Trigger areas.

## VISUAL:ENABLE

Sets or queries the status (on or off) of the Visual Trigger mode.

**Group** Trigger

**Syntax** VISUAL:ENABLE {ON|OFF|<NR1>}  
VISUAL:ENABLE?

**Arguments** ON enables the Visual Trigger mode.  
OFF disables the Visual Trigger mode.  
<NR1> is an integer number. 0 turns off the Visual Trigger mode; any other value enables Visual Trigger mode.

**Examples** VISUAL:ENABLE ON enables the Visual Trigger function.  
VISUAL:ENABLE? might return VISUAL:ENABLE OFF, indicating that Visual Trigger mode is not enabled.

## VISUAL:EQUATION

Sets or queries the Visual Trigger area combination logic equation.

**Group** Trigger

**Syntax** VISUAL:EQUATION <QString>  
VISUAL:EQUATION?

**Arguments** <QString> defines the Visual Trigger area combination logic equation. The equation is made up of area names (A<x>) combined with logic operators AND, OR, or XOR (&, |, ^). It may also contain parentheses for grouping. The equation must be true to have a valid Visual Trigger event and display a waveform. Each area's true state depends on the area's condition setting (In, Out or Don't Care).

**Examples** `VISual:EQUation "(A1 & A2) | A3"` sets the combined area logic such that both areas 1 and 2 must be true, or area 3 must be true, to have a valid Visual Trigger event and display a waveform.

`VISual:EQUation?` might return `VISual:EQUation "A1 & A2 & A3 & A4"`, indicating that the area combination logic equation requires that areas 1 through 4 must be true to have a valid Visual Trigger event.

## VISual:SHOWAREas

Shows or hides all Visual Trigger areas.

**Group** Trigger

**Syntax** `VISual:SHOWAREas {ON|OFF|<NR1>}`  
`VISual:SHOWAREas?`

**Arguments** ON shows all Visual Trigger areas.  
 OFF hides all Visual Trigger areas.  
 <NR1> is an integer number. 0 hides all Visual Trigger areas; any other value shows all Visual Trigger areas.

**Examples** `VISual:SHOWAREas OFF` hides all Visual Trigger areas.

`VISual:SHOWAREas?` might return `VISual:SHOWAREas ON`, indicating that Visual Trigger areas are displayed on the screen.

## VISual:SHOWCRiteria

Sets or queries display of the area names and hit criteria for all visual trigger areas.

**Group** Trigger

**Syntax** `VISual:SHOWCRiteria {ON|OFF|<NR1>}`  
`VISual:SHOWCRiteria?`

**Arguments** ON enables display of the area name and hit criteria labels (In, Out, Don't care icons) of all Visual Trigger areas.  
 OFF hides the area name and hit criteria labels (In, Out, Don't care icons) of all Visual Trigger areas.

<NR1> is an integer number. 0 hides the area name and hit criteria of all Visual Trigger areas; any other value enables displaying the area name and hit criteria of all Visual Trigger areas.

**Examples** VISual:SHOWCriteria OFF hides the name and hit criteria labels of all Visual Trigger areas.

VISual:SHOWCriteria? might return VISual:SHOWCriteria ON, indicating that the name and hit criteria labels of all Visual Trigger areas are displayed.

## VISual:SHOWEquation

Shows or hides the Visual Trigger area combination logic equation.

**Group** Trigger

**Syntax** VISual:SHOWEquation {ON|OFF|<NR1>}  
VISual:SHOWEquation?

**Arguments** ON shows the Visual Trigger area combination logic equation.

OFF hides the Visual Trigger area combination logic equation.

<NR1> is an integer number. 0 hides the area combination logic equation; any other value displays the area combination logic equation.

**Examples** VISual:SHOWEquation ON shows the Visual Trigger area combination logic equation.

VISual:SHOWEquation? might return VISual:SHOWEquation OFF, indicating that the Visual Trigger area combination logic equation is not displayed on the screen.

## VXI:ENABle

This command sets or queries the state of the VXI-11 server, which is used for command and control over an Ethernet connection.

**Group** Miscellaneous

**Syntax** VXI:ENABle {ON|OFF|1|0}  
VXI:ENABle?



|                  |                                                                                                                                                      |
|------------------|------------------------------------------------------------------------------------------------------------------------------------------------------|
| <b>Arguments</b> | <p>ON enables the VXI-11 server.</p> <p>OFF disables the VXI-11 server.</p> <p>1 enables the VXI-11 server.</p> <p>0 disables the VXI-11 server.</p> |
| <b>Examples</b>  | <p>VXI:ENABle ON enables the VXI-11 server.</p> <p>VXI:ENABle? might return :VXI:ENABle OFF, indicating the VXI-11 server is disabled.</p>           |

## VXI:PORT:HIGH

This command sets or queries the higher end of the port range for the VXI-11 server.

|                  |                                                                                                                                                                                                                                                                                                                                                                                                                                                                                                                                                                                                |
|------------------|------------------------------------------------------------------------------------------------------------------------------------------------------------------------------------------------------------------------------------------------------------------------------------------------------------------------------------------------------------------------------------------------------------------------------------------------------------------------------------------------------------------------------------------------------------------------------------------------|
| <b>Group</b>     | Miscellaneous                                                                                                                                                                                                                                                                                                                                                                                                                                                                                                                                                                                  |
| <b>Syntax</b>    | <p>VXI:PORT:HIGH &lt;NR1&gt;</p> <p>VXI:PORT:HIGH?</p>                                                                                                                                                                                                                                                                                                                                                                                                                                                                                                                                         |
| <b>Arguments</b> | <p>&lt;NR1&gt; is the high end of the TCPIP port range for the VXI-11 server connection. Some ports are restricted and cannot be used because they are used by other services. If a restricted port falls between the VXI-11 server low port and the VXI-11 server high port, then the error code 224 (Illegal parameter value) is posted to the event queue and the VXI-11 high port remains unchanged. If the VXI-11 high port number is set to a valid value below the VXI-11 low port number, the VXI-11 low port number is set to the value of the VXI-11 high port number minus one.</p> |
| <b>Examples</b>  | <p>VXI:PORT:HIGH 7010 sets the VXI-11 high port number to 7010.</p> <p>VXI:PORT:HIGH? might return :VXI:PORT:HIGH 7010, indicating that the port number is 7010.</p>                                                                                                                                                                                                                                                                                                                                                                                                                           |

## VXI:PORT:LOW

This command sets or queries the lower end of the port range for the VXI-11 server.

|              |               |
|--------------|---------------|
| <b>Group</b> | Miscellaneous |
|--------------|---------------|

**Syntax**    `VXI:PORT:LOW <NR1>`  
`VXI:PORT:LOW?`

**Arguments**    <NR1> is the low end of the TCPIP port range for the VXI-11 server connection. Some ports are restricted and cannot be used because they are used by other services. If a restricted port falls between the VXI-11 server low port and the VXI-11 server high port, then the error code 224 (Illegal parameter value) is posted to the event queue and the VXI-11 low port remains unchanged. If the VXI-11 low port number is set to a valid value above the VXI-11 high port number, the VXI-11 high port number is set to the value of the VXI-11 low port number plus one.

**Examples**    `VXI:PORT:LOW 7000` sets the VXI-11 low port number to 7010.  
`VXI:PORT:LOW?` might return `:VXI:PORT:LOW 7000`, indicating that the port number is 7000.

## \*WAI (No Query Form)

The \*WAI (Wait) command (no query form) prevents the instrument from executing further commands or queries until all pending commands that generate an OPC message are complete. This command allows you to synchronize the operation of the instrument with your application program. For more information, refer to Synchronization Methods.

**Group**    Status and Error

**Syntax**    \*WAI

**Related Commands**    [BUSY?](#)  
[\\*OPC](#)

**Examples**    \*WAI prevents the instrument from executing any further commands or queries until all pending commands that generate an OPC message are complete.

## WAVFrm? (Query Only)

This query-only command provides the Tektronix standard waveform query which returns the waveform preamble followed by the waveform data for the source specified by :DATA:SOURce using the :DATA settings for encoding, width, and so forth.

|                         |                                                                                                                                                                                                                                                                                                                                      |
|-------------------------|--------------------------------------------------------------------------------------------------------------------------------------------------------------------------------------------------------------------------------------------------------------------------------------------------------------------------------------|
| <b>Group</b>            | Waveform Transfer                                                                                                                                                                                                                                                                                                                    |
| <b>Syntax</b>           | WAVFRm?                                                                                                                                                                                                                                                                                                                              |
| <b>Related Commands</b> | <a href="#">CURVe?</a><br><a href="#">DATa:SOUrce</a><br><a href="#">WFMOUtpre?</a>                                                                                                                                                                                                                                                  |
| <b>Examples</b>         | <p>WAVFRM? might return the waveform data as: WFMOUTPRE:BIT_NR 8;BN_FMT RI;BYT_NR 1; BYT_OR MSB;ENCDG ASC;NR_PT 500;PT_FMT Y; PT_ORDER LINEAR;PT_OFF 0;XINCR 400.0000E-12; XZERO 0.0000;XUNIT "s";YMULT 4.0000E-3; YOFF 0.0000;YZERO 0.0000;YUNIT "V"; WFID "Ch1,DC coupling, 100.0mV/div, 200.0ns/div, 5000 points,sampl mode".</p> |

## WFMOUtpre? (Query Only)

This query-only command queries the waveform formatting data for the waveform specified by the [DATa:SOUrce](#) command. The preamble components are considered to be of two types; formatting and interpretation. The formatting components are: ENCDg, BN\_Fmt, BYT\_Or, BYT\_Nr, BIT\_Nr. The interpretation components are derived from the [DATa:SOUrce](#) specified waveform.

|                 |                                                                                                                                                                                                                                                                                                                                                |
|-----------------|------------------------------------------------------------------------------------------------------------------------------------------------------------------------------------------------------------------------------------------------------------------------------------------------------------------------------------------------|
| <b>Group</b>    | Waveform Transfer                                                                                                                                                                                                                                                                                                                              |
| <b>Syntax</b>   | WFMOUtpre?                                                                                                                                                                                                                                                                                                                                     |
| <b>Examples</b> | <p>WFMOUTPRE? might return the waveform formatting data as: WFMOUTPRE:BYT_NR 2;BIT_NR 16;ENCDG BINARY;BN_FMT RI;BYT_OR MSB;WFID "Ch1, DC coupling, 200.0mV/div, 10.00us/div, 1250 points, Sample mode";NR_PT 1000;PT_FMT Y;XUNIT "s";XINCR 80.0000E-9;XZERO 0.0000;PT_OFF 625;YUNIT "V";YMULT 31.2500E-6;YOFF 0.0000;YZERO 0.0000;NR_FR 3.</p> |

## WFMOUtpre:ASC\_Fmt? (Query Only)

This query returns the format for ASCII data transferred from the instrument. No command form is provided as the format is determined by the data source type. Some waveforms are normalized vector data where the data points are

8-byte doubles in floating point format whereas other formats are 1-byte or 2-byte integers.

**Group** Waveform Transfer

**Syntax** WFMOutpre:ASC\_Fmt?

**Related Commands** [DATA:SOURce](#)  
[WFMOutpre:BN\\_Fmt](#)  
[WFMOutpre:ENCdg](#)

**Returns** FP represents floating point ASCII data. The waveforms are normalized vector data where the data points are 8-byte doubles in floating point format.  
 INTEGER represents signed integer ASCII data. The waveform data are 1-byte or 2-byte integers.

**Examples** WFMOutpre:ASC\_Fmt? might return WFMOUTPRE:ASC\_FMT INTEGER indicating the ASCII format is integer.

## WFMOutpre:BIT\_Nr

This command sets and queries the number of bits per waveform point that outgoing waveforms contain, as specified by the [DATA:SOURce](#) command. Note that values will be constrained according to the underlying waveform data. This specification is only meaningful when [WFMOutpre:ENCdg](#) is set to BIN and [WFMOutpre:BN\\_Fmt](#) is set to either RI or RP.

**Group** Waveform Transfer

**Syntax** WFMOutpre:BIT\_Nr <NR1>  
 WFMOutpre:BIT\_Nr?

**Related Commands** [DATA:SOURce](#)  
[WFMOutpre:BN\\_Fmt](#)  
[WFMOutpre:ENCdg](#)

**Arguments** <NR1> number of bits per data point can be 8 or 16.

**Examples** `WFMOUTPRE:BIT_NR 16` sets the number of bits per waveform point to 16 for incoming RI and RP binary format data.

`WFMOUTPRE:BIT_NR?` might return `WFMOUTPRE:BIT_NR 8`, indicating that outgoing RI or RP binary format data uses 8 bits per waveform point.

## WFMOutpre:BN\_Fmt

This command sets or queries the format of binary data for outgoing waveforms specified by the [DATA:SOURce](#) command.

**Group** Waveform Transfer

**Syntax** `WFMOutpre:BN_Fmt {RI|RP|FP}`  
`WFMOutpre:BN_Fmt?`

**Related Commands** [DATA:SOURce](#)

**Arguments** RI specifies signed integer data point representation.

RP specifies positive integer data point representation.

FP specifies floating point representation.

**Examples** `WFMOUTPRE:BN_FMT FP` specifies that outgoing waveform data will be in single-precision binary floating point format.

`WFMOUTPRE:BN_FMT?` might return `WFMOUTPRE:BN_FMT RI`, indicating that the outgoing waveform data is currently in signed integer format.

## WFMOutpre:BYT\_Nr

This command sets or queries the binary field data width (bytes per point) for the waveform specified by the [DATA:SOURce](#) command. Note that values will be constrained according to the underlying waveform data. This specification is only meaningful when [WFMOutpre:ENCdg](#) is set to BIN, and [WFMOutpre:BN\\_Fmt](#) is set to either RI or RP.

**Group** Waveform Transfer

**Syntax** `WFMOutpre:BYT_Nr <NR1>`  
`WFMOutpre:BYT_Nr?`

**Related Commands**    [DATA:SOURce](#)  
[WFMOUtpre:BN\\_Fmt](#)  
[WFMOUtpre:ENCdg](#)

**Arguments**    <NR1> is the number of bytes per data point and can be 1, 2 or 8. A value of 1 or 2 bytes per waveform point indicates channel data; 8 bytes per waveform point indicate pixel map (fast acquisition) data.

**Examples**    `WFMOUtpre:BYT_NR 1` sets the number of bytes per outgoing waveform data point to 1, which is the default setting.  
`WFMOUtpre:BYT_NR?` might return `WFMOUtpre:BYT_NR 2`, indicating that there are 2 bytes per outgoing waveform data point.

## WFMOUtpre:BYT\_Or

This command sets or queries which byte of binary waveform data is transmitted first, during a waveform data transfer, when data points require more than one byte. This specification only has meaning when [WFMOUtpre:ENCdg](#) is set to BIN.

**Group**    Waveform Transfer

**Syntax**    `WFMOUtpre:BYT_Or {LSB|MSB}`  
`WFMOUtpre:BYT_Or?`

**Related Commands**    [WFMOUtpre:ENCdg](#)

**Arguments**    LSB specifies that the least significant byte will be transmitted first.  
MSB specifies that the most significant byte will be transmitted first.

**Examples**    `WFMOUtpre:BYT_OR MSB` sets the most significant outgoing byte of waveform data to be transmitted first.  
`WFMOUtpre:BYT_OR?` might return `WFMOUtpre:BYT_OR LSB`, indicating that the least significant data byte will be transmitted first.

## WFMOutpre:CENTERFREQUENCY? (Query Only)

This query returns the center frequency of the outgoing waveform. The center frequency is a precise frequency at the center of the display of the frequency domain graticule. In many applications, it is a carrier frequency.

**Group** Waveform Transfer

**Syntax** WFMOutpre:CENTERFREQUENCY?

**Related Commands** [DATA:SOURce](#)

**Returns** Returns the center frequency of the outgoing waveform, in Hertz.

**Examples** WFMOutpre:CENTERFREQUENCY? might return  
WFMOutpre:CENTERFREQUENCY 1.0E+9, indicating a center frequency of 1 GHz.

## WFMOutpre:DOMAIN? (Query Only)

This query returns the domain of the outgoing waveform, either TIME or FREQUENCY. If the domain is TIME, it indicates that the data is to be treated as integer information. If the domain is FREQUENCY, it indicates that the data is to be treated as floating point information.

**Group** Waveform Transfer

**Syntax** WFMOutpre:DOMAIN?

**Related Commands** [DATA:SOURce](#)

[WFMOutpre:BN\\_Fmt](#)

[WFMOutpre:ENCdg](#)

**Returns** Returns the domain of the outgoing waveform.

**Examples** WFMOUTPRE:DOMAIN? might return WFMOUTPRE:DOMAIN TIME, indicating that the outgoing waveform is a time domain trace.

WFMOutpre:DOMain? might return WFMOutpre:DOMain FREQUENCY, indicating that the outgoing waveform is one of the four Spectrum View frequency domain traces (CH<x>\_SV\_NORMAL, CH<x>\_SV\_AVERAGE, CH<x>\_SV\_MINHOLD, or CH<x>\_SV\_MAXHOLD).

## WFMOutpre:ENCdg

This command sets or queries the type of encoding for outgoing waveforms.

**Group** Waveform Transfer

**Syntax** WFMOutpre:ENCdg {ASCIi|BINArY}  
WFMOutpre:ENCdg?

**Related Commands** [DATA:ENCdg](#)  
[WFMOutpre:BYT\\_Nr](#)  
[WFMOutpre:BYT\\_Or](#)  
[WFMOutpre:BIT\\_Nr](#)  
[WFMOutpre:BN\\_Fmt](#)

**Arguments** ASCIi specifies that the outgoing data is to be in ASCII format. Waveforms internally stored as integers will be sent as <NR1> numbers, while those stored as floating point will be sent as <NR3> numbers.

BINArY specifies that outgoing data is to be in a binary format whose further specification is determined by [WFMOutpre:BYT\\_Nr](#), [WFMOutpre:BIT\\_Nr](#), [WFMOutpre:BN\\_Fmt](#) and [WFMOutpre:BYT\\_Or](#).

**Examples** WFMOUTPRE:ENCDG ASCIi specifies that the outgoing waveform data will be sent in ASCII format.

WFMOUTPRE:ENCDG? might return WFMOUTPRE:ENCDG BINArY, indicating that outgoing waveform data will be sent in binary format.

## WFMOutpre:NR\_Pt? (Query Only)

This query-only command returns the number of points for the [DATA:SOURce](#) waveform that will be transmitted in response to a [CURVe??](#) query.

**Group** Waveform Transfer



**Syntax** `WFMOutpre:NR_Pt?`

**Related Commands** [CURVe?](#)  
[DATa](#)  
[DATa:START](#)  
[DATa:STOP](#)  
[SAVe:WAVEform](#)  
[SAVEON:WAVEform:FILEFormat](#)

**Examples** `WFMOUTPRE:NR_PT?` might return `WFMOUTPRE:NR_PT 5000`, indicating that there are 5000 data points to be sent.

## WFMOutpre:PT\_Fmt? (Query Only)

This query-only command returns the point format for the waveform specified by the [DATa:SOUrce](#) command. The format specifies a set of equations describing how the scale factors in the preamble are used to give meaning to the [CURVe?](#) data points.

An error is reported if the `DATa:SOUrce` waveform does not exist.

**Group** Waveform Transfer

**Syntax** `WFMOutpre:PT_Fmt?`

**Related Commands** [CURVe?](#)  
[DATa:SOUrce](#)

**Examples** `WFMOUTPRE:PT_FMT?` might return `WFMOutpre:PT_Fmt ENV`, indicating that the waveform data is a series of min-max pairs.

## WFMOutpre:PT\_Off? (Query Only)

This query-only command returns the trigger point relative to [DATa:START](#) for the waveform specified by the [DATa:SOUrce](#) command.

---

**NOTE.** *This returned value is the point immediately following the actual trigger.*

---

**Group** Waveform Transfer

**Syntax** WFMOutpre:PT\_Off?

**Related Commands** [DATA:SOURce](#)  
[DATA:START](#)  
[WFMOutpre:XZEro?](#)

**Examples** WFMOUTPRE:PT\_OFF? might return WFMOUTPRE:PT\_OFF 251 specifying that the trigger actually occurred between points 250 and 251.

## WFMOutpre:PT\_ORder? (Query Only)

This query-only command specifies whether the source waveform is Fast Acquisition. A Fast Acquisition waveform is stored as a 500 (vertical) by 1000 (horizontal) point bitmap. Each point represents display intensity for that screen location. Only CURVE? query functions are allowed on Fast Acquisition waveforms. When the WFMOutpre:PT\_ORDER? query returns Row, this indicates that the source is a Fast Acquisition waveform (and that each of 1000 possible horizontal columns being transmitted contains 500 vertical points. Note: 500 might vary based on how many channels enabled from same FastAcq group.) and waveform points are transmitted in the following order: left to right; then top to bottom.

When the WFMOutpre:PT\_Order? query returns Linear, this indicates that the source is not a Fast Acquisition waveform (and that each horizontal column being sent contains only one vertical point). Note that waveform points are transmitted in the following order: top to bottom, then left to right.

**Group** Waveform Transfer

**Syntax** WFMOutpre:PT\_Order?

**Related Commands** [DATA:SOURce](#)

**Examples** WFMOUTPRE:PT\_ORDER? might return WFMOUTPRE:PT\_Order ROW, specifying that the waveform designated by the DATA:SOURce waveform is a Fast Acquisition waveform and CURve? is returning the PIXmap data for that source.

WFMOUtpRE:PT\_ORDER? might return WFMOUtpRE:PT\_Order LINEAR, specifying that the source waveform is a non-Fast Acquisition waveform and CURve? is returning the Vector data for that source.

## WFMOUtpre:RESample

This command sets or queries the resampling of outgoing waveform data. This command is equivalent to setting DATA:RESample. Setting the WFMOUtpre:RESample value causes the corresponding DATA value to be updated and vice versa.

**Group** Waveform Transfer

**Syntax** WFMOUtpre:RESample <NR1>  
WFMOUtpre:RESample?

**Related Commands** [DATA:RESample](#)

**Arguments** <NR1> is the resampling rate. The default value is 1, which means every sample is returned. A value of 2 returns every other sample, while a value of 3 returns every third sample, and so on.

**Examples** WFMOUtpRE:RESAMPLE 1 sets the resampling to return all waveform data samples.

WFMOUtpRE:RESAMPLE? might return WFMOUtpRE:RESAMPLE 4, indicating that every fourth sample of the waveform data is returned.

## WFMOUtpre:SPAN? (Query Only)

This query returns the frequency span of the outgoing waveform. The span is the range of frequencies you can observe around the center frequency.

**Group** Waveform Transfer

**Syntax** WFMOUtpre:SPAN?

**Related Commands** [DATA:SOUrce](#)

**Returns** Returns the frequency span of the outgoing waveform, in Hertz.

**Examples** RF:SPAN? might return RF:SPAN 10.0000E+6, indicating the span is 10 MHz.

## WFMOutpre:WFId? (Query Only)

This query-only command returns a string describing several aspects of the acquisition parameters for the waveform specified by the [DATA:SOURce](#) command.

An error is reported if the DATA:SOURce waveform does not exist.

**Group** Waveform Transfer

**Syntax** WFMOutpre:WFId?

**Related Commands** [DATA:SOURce](#)

**Returns** <QString> contains the following comma-separated fields documented in the following tables:

**Table 2-54: Waveform Suffixes**

| Field       | Description                                                                                                                                                            | Examples                                                                                                                                            |
|-------------|------------------------------------------------------------------------------------------------------------------------------------------------------------------------|-----------------------------------------------------------------------------------------------------------------------------------------------------|
| Source      | The source identification string as it appears in the front panel scale factor readouts.                                                                               | "CH1-8"<br>"MATH<x>"<br>"REF<x>"                                                                                                                    |
| Coupling    | A string describing the vertical coupling of the waveform (the Source1 waveform in the case of Dual Waveform Math).                                                    | "AC coupling"<br>"DC coupling"<br>"GND coupling"                                                                                                    |
| Vert Scale  | A string containing the vertical scale factor of the unzoomed waveform. The numeric portion will always be four digits. The examples cover all known internal units.   | "100.0 mV/div"<br>"20.00 dB/div"<br>"45.00 deg/div"<br>"785.4 mrad/div"<br>"500.0 μVs/div"<br>"10.00 kV/s/div"<br>"200.0 mV/div"<br>"50.00 unk/div" |
| Horiz Scale | A string containing the horizontal scale factor of the unzoomed waveform. The numeric portion will always be four digits. The examples cover all known internal units. | "100 ms/div"<br>"10.00 kHz/div"<br>"50.00 c/div"                                                                                                    |

**Table 2-54: Waveform Suffixes (cont.)**

| Field            | Description                                                                                                                   | Examples                                                                                |
|------------------|-------------------------------------------------------------------------------------------------------------------------------|-----------------------------------------------------------------------------------------|
| Record Length    | A string containing the number of waveform points available in the entire record. The numeric portion is given as an integer. | "500 points"<br>"500000 points"                                                         |
| Acquisition Mode | A string describing the mode used to acquire the waveform.                                                                    | "Sample mode"<br>"Pk Detect mode"<br>"Hi Res mode"<br>"Envelope mode"<br>"Average mode" |
| Center Frequency | A string containing the center frequency value of the waveform.                                                               | "2.400GHz"                                                                              |
| Span             | A string containing the frequency span value of the waveform.                                                                 | "20.00MHz"                                                                              |
| Reference Level  | A string containing the reference level value of the waveform.                                                                | "1.000mW"                                                                               |

**Examples** WFMOUTPRE:WFID? might return WFMOUTPRE:WFID "Ch1, DC coupling,100.0mVolts/div,500.0µs/div,500 points, Hi Res mode".

## WFMOutpre:WFMTYPE? (Query Only)

This query returns the type of the outgoing waveform.

The type of waveform that is being transferred in turn determines in which window it will display on the instrument screen: (the Waveform View window or Spectrum View window). Both the Analog and RF\_TD arguments specify the time domain window; the RF\_RD argument specifies the frequency domain window.

**Group** Waveform Transfer

**Syntax** WFMOutpre:WFMTYPE?

**Related Commands** [DATA:SOURce](#)

**Returns** Returns the type of the outgoing waveform:  
 ANALOG indicates a Channel or Math waveform.  
 SV\_FD indicates a Spectrum View RF frequency domain waveform.  
 RF\_TD indicates an RF time domain waveform.

**Examples** `WFMOutpre:WFMTYPE?` might return `WFMOutpre:WFMTYPE CH<x>_SV_FD`, which indicates that the outgoing waveform is an RF frequency domain waveform (`CH<x>_SV_AVErAge`, `CH<x>_SV_MAXHOld`, `CH<x>_SV_MINHOld`, or `CH<x>_SV_NORMAl`).

## WFMOutpre:XINcr? (Query Only)

This query-only command returns the horizontal point spacing in units of `WFMOutpre:XUNit` for the waveform specified by the `DATA:SOURce` command. This value corresponds to the sampling interval.

An error is reported if the `DATA:SOURce` waveform does not exist.

**Group** Waveform Transfer

**Syntax** `WFMOutpre:XINcr?`

**Related Commands** [DATA:SOURce](#)  
[WFMOutpre:XUNit?](#)

**Examples** `WFMOUTPRE:XINCR?` might return `WFMOUTPRE:XINCR 10.0000E-6`, indicating that the horizontal sampling interval is 10  $\mu$ s/point (500  $\mu$ s/div).

## WFMOutpre:XUNit? (Query Only)

This query-only command returns the horizontal units for the waveform specified by the `DATA:SOURce` command.

An error is reported if the `DATA:SOURce` waveform does not exist.

**Group** Waveform Transfer

**Syntax** `WFMOutpre:XUNit?`

**Related Commands** [DATA:SOURce](#)

**Examples** `WFMOUTPRE:XUNIT?` might return `WFMOUTPRE:XUNIT "HZ"`, indicating that the horizontal units for the waveform are in Hertz.

## WFMOutpre:XZEro? (Query Only)

This query-only command returns the sub-sample time between the trigger sample (designated by PT\_OFF) and the occurrence of the actual trigger for the waveform specified by the [DATA:SOURce](#) command. This value is in units of WFMOutpre:XUNit.

An error is reported if the DATA:SOURce waveform does not exist.

---

**NOTE.** *During steady state operation, when all control changes have settled and triggers are arriving on a regular basis, this is the only part of the preamble that changes on each acquisition.*

---

**Group** Waveform Transfer

**Syntax** WFMOutpre:XZEro?

**Related Commands** [DATA:SOURce](#)  
[WFMOutpre:XUNit?](#)

**Examples** WFMOUTPRE:XZERO? might return WFMOUTPRE:XZERO 5.6300E-9, indicating that the trigger actually occurred 5.63 ns before the trigger sample.

## WFMOutpre:YMUIt? (Query Only)

This query-only command returns the vertical scale factor per digitizing level in units specified by WFMOutpre:YUNit for the waveform specified by the [DATA:SOURce](#) command. For those formats in which [WFMOutpre:BYT\\_Nr](#) is important (all non-floating point formats), WFMOutpre:YMUIt? must take the location of the binary point implied by BYT\_NR into consideration.

An error is reported if the DATA:SOURce waveform does not exist.

**Group** Waveform Transfer

**Syntax** WFMOutpre:YMUIt?

**Related Commands** [DATA:SOURce](#)

**Examples** WFMOUTPRE:YMULT? might return WFMOUTPRE:YMULT 4.0000E-3, indicating that the vertical scale for the corresponding waveform is 100 mV/div.

## WFMOutpre:YOFF? (Query Only)

This query-only command returns the vertical offset of the source specified by [DATA:SOURce](#). For this instrument family, the value returned is always 0.0 as the offset is combined with the :YZEro value.

An error is reported if the [DATA:SOURce](#) waveform does not exist.

**Group** Waveform Transfer

**Syntax** WFMOutpre:YOFF?

**Related Commands** [DATA:SOURce](#)  
[WFMOutpre:BYT\\_Nr](#)

**Examples** WFMOUTPRE:YOFF? might return WFMOUTPRE:YOFF -50.0000E+0, indicating that the position indicator for the waveform was 50 digitizing levels (2 divisions) below center screen.

## WFMOutpre:YUNIT? (Query Only)

This query-only command returns the vertical units for the waveform specified by the [DATA:SOURce](#) command.

An error is reported if the [DATA:SOURce](#) waveform does not exist.

**Group** Waveform Transfer

**Syntax** WFMOutpre:YUNIT?

**Related Commands** [DATA:SOURce](#)

**Examples** WFMOUTPRE:YUNIT? might return WFMOUTPRE:YUNIT "dB", indicating that the vertical units for the waveform are measured in decibels.



## WFMOutpre:YZero? (Query Only)

This query-only command returns the combined vertical position and offset for the source waveform specified by [DATA:SOURce](#). This represents a departure from previous instruments where the :YZero value represented the vertical position in vertical units and the :YOff value represented the vertical offset in digitizing levels. For this instrument family, the value of :YOff is always 0.0.

An error is reported if the [DATA:SOURce](#) waveform does not exist.

**Group** Waveform Transfer

**Syntax** WFMOutpre:YZero?

**Related Commands** [DATA:SOURce](#)  
[WFMOutpre:YUNit?](#)

**Examples** WFMOUTPRE:YZERO? might return WFMOUTPRE:YZERO -100.0000E-3, indicating that vertical offset is set to -100 mV.



# Status and Events

The instrument provides a status and event reporting system for the Ethernet and USB interfaces. This system informs you of certain significant events that occur within the instrument.

The instrument status handling system consists of five 8-bit registers and two queues for each interface. The remaining Status subtopics describe these registers and components. They also explain how the event handling system operates.

## Registers

### Overview

The registers in the event handling system fall into two functional groups:

- Status Registers contain information about the status of the instrument. They include the Standard Event Status Register (SESR).
- Enable Registers determine whether selected types of events are reported to the Status Registers and the Event Queue. They include the Device Event Status Enable Register (DESER), the Event Status Enable Register (ESER), and the Service Request Enable Register (SRER).

### Status Registers

The Standard Event Status Register (SESR) and the Status Byte Register (SBR) record certain types of events that may occur while the instrument is in use. IEEE Std 488.2-1987 defines these registers.

Each bit in a Status Register records a particular type of event, such as an execution error or message available. When an event of a given type occurs, the instrument sets the bit that represents that type of event to a value of one. (You can disable bits so that they ignore events and remain at zero. See Enable Registers). Reading the status registers tells you what types of events have occurred.

**The Standard Event Status Register (SESR).** The SESR records eight types of events that can occur within the instrument. Use the \*ESR? query to read the SESR register. Reading the register clears the bits of the register so that the register can accumulate information about new events.

---

**NOTE.** TekVISA applications use SESR bit 6 to respond to any of several events, including some front panel actions.

---

|     |     |     |     |     |     |     |     |
|-----|-----|-----|-----|-----|-----|-----|-----|
| 7   | 6   | 5   | 4   | 3   | 2   | 1   | 0   |
| PON | URQ | CME | EXE | DDE | QYE | RQC | OPC |

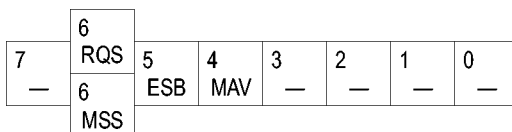
Figure 3-1: The Standard Event Status Register (SESR)

**Table 3-1: SESR Bit Functions**

| Bit     | Function |                                                                                                                                                  |
|---------|----------|--------------------------------------------------------------------------------------------------------------------------------------------------|
| 7 (MSB) | PON      | Power On. Shows that the instrument was powered on. On completion, the diagnostic self tests also set this bit.                                  |
| 6       | URQ      | User Request. Indicates that an application event has occurred. *See note.                                                                       |
| 5       | CME      | Command Error. Shows that an error occurred while the instrument was parsing a command or query.                                                 |
| 4       | EXE      | Execution Error. Shows that an error executing a command or query.                                                                               |
| 3       | DDE      | Device Error. Shows that a device error occurred.                                                                                                |
| 2       | QYE      | Query Error. Either an attempt was made to read the Output Queue when no data was present or pending, or that data in the Output Queue was lost. |
| 1       | RQC      | Request Control. This is not used.                                                                                                               |
| 0 (LSB) | OPC      | operation complete. Shows that the operation is complete. This bit is set when all pending operations complete following an *OPC command.        |

**The Status Byte Register (SBR).** Records whether output is available in the Output Queue, whether the instrument requests service, and whether the SESR has recorded any events.

Use a Serial Poll or the \*STB? query to read the contents of the SBR. The bits in the SBR are set and cleared depending on the contents of the SESR, the Event Status Enable Register (ESER), and the Output Queue. When you use a Serial Poll to obtain the SBR, bit 6 is the RQS bit. When you use the \*STB? query to obtain the SBR, bit 6 is the MSS bit. Reading the SBR does not clear the bits.



**Figure 3-2: The Status Byte Register (SBR)**

**Table 3-2: SBR Bit Functions**

| Bit     | Function |                                                                                                               |
|---------|----------|---------------------------------------------------------------------------------------------------------------|
| 7 (MSB) | —        | Not used.                                                                                                     |
| 6       | RQS      | Request Service. Obtained from a serial poll. Shows that the instrument requests service from the controller. |
| 6       | MSS      | Master Status Summary. Obtained from *STB? query. Summarizes the ESB and MAV bits in the SBR.                 |
| 5       | ESB      | Event Status Bit. Shows that status is enabled and present in the SESR.                                       |

**Table 3-2: SBR Bit Functions (cont.)**

| Bit | Function                                                                   |
|-----|----------------------------------------------------------------------------|
| 4   | MAV Message Available. Shows that output is available in the Output Queue. |
| 3   | ———— Not used.                                                             |
| 2   | ———— Not used.                                                             |
| 1-0 | ———— Not used.                                                             |

### Enable Registers

DESER, ESER, and SRER allow you to select which events are reported to the Status Registers and the Event Queue. Each Enable Register acts as a filter to a Status Register (the DESER also acts as a filter to the Event Queue) and can prevent information from being recorded in the register or queue.

Each bit in an Enable Register corresponds to a bit in the Status Register it controls. In order for an event to be reported to a bit in the Status Register, the corresponding bit in the Enable Register must be set to one. If the bit in the Enable Register is set to zero, the event is not recorded.

Various commands set the bits in the Enable Registers. The Enable Registers and the commands used to set them are described below.

**The Device Event Status Enable Register (DESER).** This register controls which types of events are reported to the SESR and the Event Queue. The bits in the DESER correspond to those in the SESR.

Use the DESE command to enable and disable the bits in the DESER. Use the DESE? query to read the DESER.

|     |     |     |     |     |     |     |     |
|-----|-----|-----|-----|-----|-----|-----|-----|
| 7   | 6   | 5   | 4   | 3   | 2   | 1   | 0   |
| PON | URQ | CME | EXE | DDE | QYE | RQC | OPC |

**Figure 3-3: The Device Event Status Enable Register (DESER)**

**The Event Status Enable Register (ESER).** This register controls which types of events are summarized by the Event Status Bit (ESB) in the SBR. Use the \*ESE command to set the bits in the ESER. Use the \*ESE? query to read it.

|     |     |     |     |     |     |     |     |
|-----|-----|-----|-----|-----|-----|-----|-----|
| 7   | 6   | 5   | 4   | 3   | 2   | 1   | 0   |
| PON | URQ | CME | EXE | DDE | QYE | RQC | OPC |

**Figure 3-4: The Event Status Enable Register (ESER)**

**The Service Request Enable Register (SRER).** This register controls which bits in the SBR generate a Service Request and are summarized by the Master Status Summary (MSS) bit.

Use the \*SRE command to set the SRER. Use the \*SRE? query to read the register. The RQS bit remains set to one until either the Status Byte Register is read with a Serial Poll or the MSS bit changes back to a zero.

|   |   |     |     |   |   |   |   |
|---|---|-----|-----|---|---|---|---|
| 7 | 6 | 5   | 4   | 3 | 2 | 1 | 0 |
| — | — | ESB | MAV | — | — | — | — |

Figure 3-5: The Service Request Enable Register (SRER)

**\*PSC Command** The \*PSC command controls the Enable Registers contents at power-on. Sending \*PSC 1 sets the Enable Registers at power on as follows:

- DESER 255 (equivalent to a DESe 255 command)
- ESER 0 (equivalent to an \*ESE 0 command)
- SRER 0 (equivalent to an \*SRE 0 command)

Sending \*PSC 0 lets the Enable Registers maintain their values in nonvolatile memory through a power cycle.

---

**NOTE.** To enable the PON (Power On) event to generate a Service Request, send \*PSC 0, use the DESe and \*ESE commands to enable PON in the DESER and ESER, and use the \*SRE command to enable bit 5 in the SRER. Subsequent power-on cycles will generate a Service Request.

---

## Queues

The \*PSC command controls the Enable Registers contents at power-on. Sending \*PSC 1 sets the Enable Registers at power on as follows:

**Output Queue** The instrument stores query responses in the Output Queue and empties this queue each time it receives a new command or query message after an <EOM>. The controller must read a query response before it sends the next command (or query) or it will lose responses to earlier queries.




---

**CAUTION.** When a controller sends a query, an <EOM>, and a second query, the instrument normally clears the first response and outputs the second while reporting a Query Error (QYE bit in the ESER) to indicate the lost response. A fast controller, however, may receive a part or all of the first response as well. To avoid this situation, the controller should always read the response immediately after sending any terminated query message or send a DCL (Device Clear) before sending the second query.

---

**Event Queue** The Event Queue stores detailed information on up to 33 events. If than 32 events stack up in the Event Queue, the 32nd event is replaced by event code 350, "Queue Overflow."

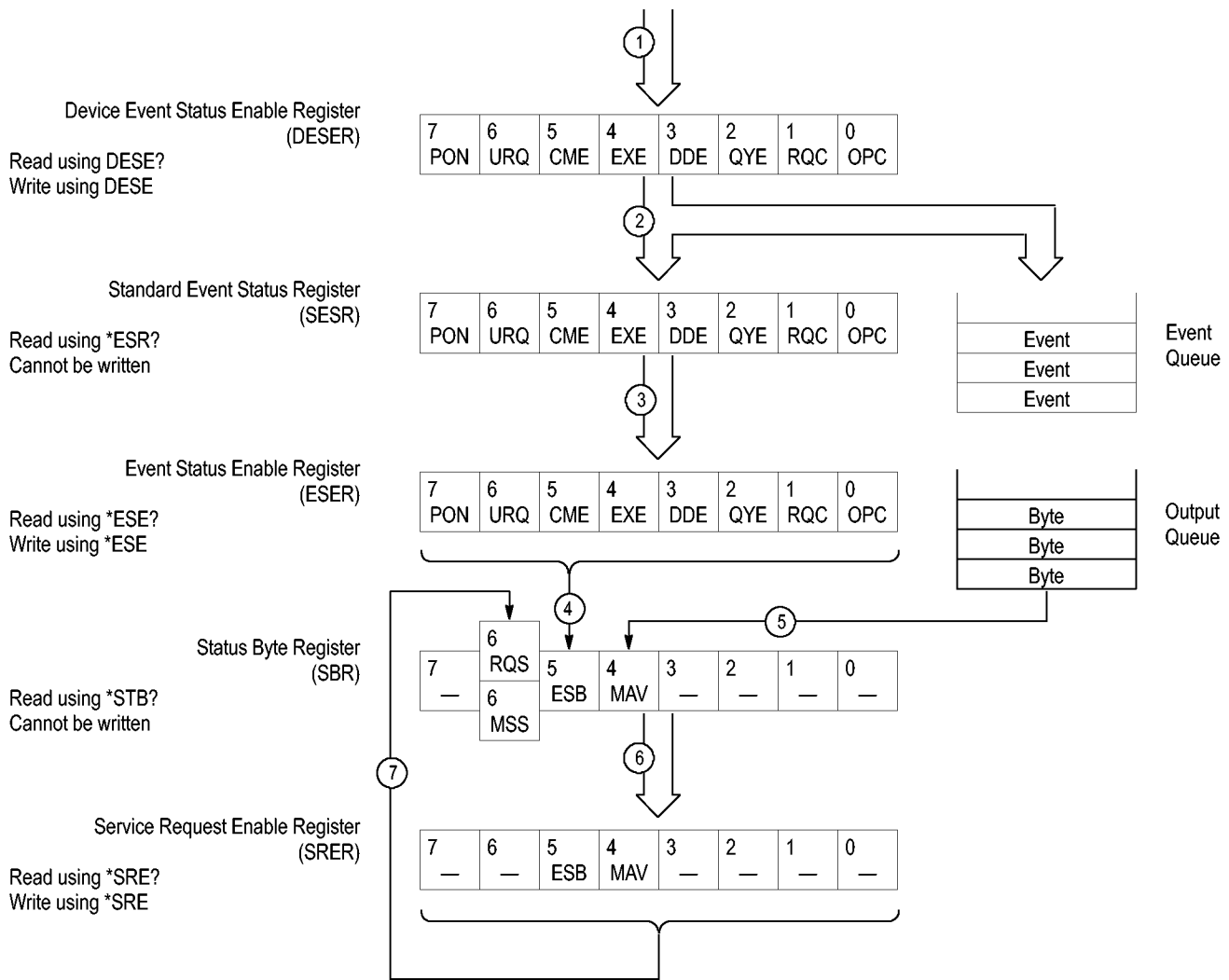
Read the Event Queue with the `EVENT?` query (which returns only the event number), with the `EVMSG?` query (which returns the event number and a text description of the event), or with the `ALLEV?` query (which returns all the event numbers along with a description of the event). Reading an event removes it from the queue.

Before reading an event from the Event Queue, you must use the `*ESR?` query to read the summary of the event from the SESR. This makes the events summarized by the `*ESR?` read available to the `EVENT?` and `EVMSG?` queries, and empties the SESR.

Reading the SESR erases any events that were summarized by previous `*ESR?` reads but not read from the Event Queue. Events that follow an `*ESR?` read are put in the Event Queue but are not available until `*ESR?` is used again.

## Event Handling Sequence

The following figure shows how to use the status and event handling system. In the explanation that follows, numbers in parentheses refer to numbers in the figure.



**Figure 3-6: Status and Event Handling Process**

When an event occurs, a signal is sent to the DESER (1). If that type of event is enabled in the DESER (that is, if the bit for that event type is set to 1), the appropriate bit in the SESR is set to one, and the event is recorded in the Event Queue (2). If the corresponding bit in the ESER is also enabled (3), then the ESB bit in the SBR is set to one (4).

When output is sent to the Output Queue, the MAV bit in the SBR is set to one (5).

When a bit in the SBR is set to one and the corresponding bit in the SRER is enabled (6), the MSS bit in the SBR is set to one and a service request is generated (7).



## Synchronization Methods

**Overview** Although most commands are completed almost immediately after being received by the instrument, some commands start a process that requires time. For example, once a single sequence acquisition command is executed, depending upon the applied signals and trigger settings, it may take an extended period of time before the acquisition is complete. Rather than remain idle while the operation is in process, the instrument will continue processing other commands. This means that some operations will not be completed in the order that they were sent. Furthermore, sometimes the result of an operation depends upon the result of an earlier operation. A first operation must complete before the next one is processed.

In order to handle these situations, the instrument status and event reporting system allows you to synchronize the operation of the instrument with your application program, using the Operation Complete function. Note, however, that only some operations are able to take advantage of this function; a table is provided below of commands that support this.

The following commands are used to synchronize the instrument functions using Operation Complete. See examples of how to use these commands later on in this section:

**\*OPC** — sending the \*OPC command will set bit 0 of the SESR (Standard Events Status Register). The bit will only be set high when all pending operations that generate an OPC message have finished execution. (The SESR is queried using \*ESR?) The \*OPC? query form returns 1 only when all operations have completed, or a device clear is received.

**\*WAI** — prevents the instrument from executing further commands or queries until all pending commands that generate an OPC message are complete.

**BUSY?** — returns the status of operations: 1 means there are pending operations, 0 means that all pending operations are complete.

---

**NOTE.** *Some OPC operations may require an extended period of time to complete or may never complete. For example, a single sequence acquisition may never complete when no trigger event occurs. You should be aware of these conditions and tailor your program accordingly by:*

— *setting the timeout sufficiently for the anticipated maximum time for the operation and*

— *handle a timeout appropriately by querying the SESR (\*ESR?) and event queue (EVMsg? or ALLEv?).*

---

**NOTE.** The \*OPC command form can also be used to cause an SRQ to be generated upon completion of all pending operations. This requires that the ESB (Event Status Bit, bit 5) of the SRER (Service Request Enable Register) is set, and the OPC bit (bit 0) of the DESR (Device Event Status Enable Register) and the ESER (Event Status Enable Register) are set. (The SRER is set/queried using \*SRE. The DESR is set/queried using DESE. The ESER is set/queried using \*ESE.)

Only a subset of instrument operations support the Operation Complete function (OPC):

**Table 3-3: instrument operations that can generate OPC**

| Command                                              | Conditions                                                               |
|------------------------------------------------------|--------------------------------------------------------------------------|
| ACQuire:STATE <non-zero NR1>  ON RUN                 | Only when in single sequence acquisition mode                            |
| :AUTOset < EXECute >                                 |                                                                          |
| CALibrate:INTERNAI                                   |                                                                          |
| CALibrate:INTERNAI:START                             |                                                                          |
| CALibrate:FACTory START                              |                                                                          |
| CALibrate:FACTory CONTInue                           |                                                                          |
| CALibrate:FACTory PREVious                           |                                                                          |
| CH<x>:PRObe:AUTOZero EXECute                         |                                                                          |
| CH<x>:PRObe:DEGAUss EXECute                          |                                                                          |
| DIAG:STATE EXECute                                   |                                                                          |
| FACTory                                              |                                                                          |
| MEASUrement:MEAS<x>:RESUlts                          | When used in single sequence acquisition mode or during waveform recall. |
| RECAI:SETUp (<file as quoted string> FACTory)        |                                                                          |
| RECAI:WAVEform <.ISF or .CSV file >,< REF<x> >       |                                                                          |
| :RF:REFLevel AUTO                                    |                                                                          |
| *RST                                                 |                                                                          |
| SAVe:IMAGe <file as quoted string>                   |                                                                          |
| SAVe:SETUp <file as quoted string>                   |                                                                          |
| SAVe:WAVEform < source wfm > , (< REF<x> > < file >) |                                                                          |
| TEKSecure                                            |                                                                          |
| TRIGger:A SETLevel                                   |                                                                          |

### Example of Acquiring and Measuring a Single-Sequence Waveform

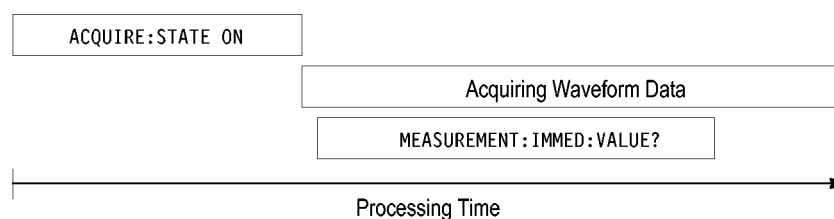
For example, a typical application might involve acquiring a single-sequence waveform and then taking a measurement on the acquired waveform. You could use the following command sequence to do this:

```

/** Set up conditional acquisition */
ACQUIRE:STATE OFF
DISPLAY:WAVEVIEW1:CH1:STATE 1
HORIZONTAL:RECORDLENGTH 1000
ACQUIRE:MODE SAMPLE
ACQUIRE:STOPAFTER SEQUENCE
/** Acquire waveform data */
ACQUIRE:STATE ON
/** Set up the measurement parameters */
MEASUREMENT:MEAS1:TYPE AMPLITUDE
MEASUREMENT:MEAS1:SOURCE CH1
/** Take amplitude measurement */
MEASUREMENT:MEAS1:RESULTS:CURRENTACQ:MEAN?

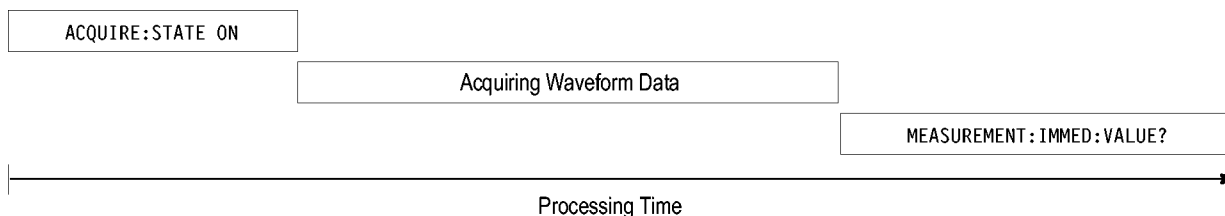
```

The acquisition of the waveform requires extended processing time. It may not finish before the instrument takes an amplitude measurement (see the following figure). This can result in an incorrect amplitude value.



**Figure 3-7: Command Processing Without Using Synchronization**

To ensure the instrument completes waveform acquisition before taking the measurement on the acquired data, you can synchronize the program using \*WAI, BUSY, \*OPC, and \*OPC?.



**Figure 3-8: Processing Sequence With Synchronization**

### Example of Using the \*OPC Command

If the corresponding status registers are enabled, the \*OPC command sets the OPC bit in the Standard Event Status Register (SESR) when an operation is complete. You achieve synchronization by using this command with either a serial poll or service request handler.

**Serial Poll Method:** Enable the OPC bit in the Device Event Status Enable Register (DESER) and the Event Status Enable Register (ESER) using the DESE and \*ESE commands.

When the operation is complete, the OPC bit in the Standard Event Status Register (SESR) will be enabled and the Event Status Bit (ESB) in the Status Byte Register will be enabled.

The same command sequence using the \*OPC command for synchronization with serial polling looks like this:

```

/* Set up conditional acquisition */
ACQUIRE:STATE OFF
DISPLAY:WAVEVIEW1:CH1:STATE 1
HORIZONTAL:RECORDLENGTH 1000
ACQUIRE:MODE SAMPLE
ACQUIRE:STOPAFTER SEQUENCE
/* Enable the status registers */
DESE 1
*ESE 1
*SRE 0
/* Acquire waveform data */
ACQUIRE:STATE ON
/* Set up the measurement parameters on the channel we're
about to sequence */
MEASUREMENT:MEAS1:TYPE AMPLITUDE
MEASUREMENT:MEAS1:SOURCE CH1
/* wait until the acquisition is complete before taking the
measurement. */
*OPC
while serial poll = 0, keep looping
/* Take amplitude measurement */
MEASUREMENT:MEAS1:RESULTS:CURRENTACQ:MEAN?

```

This technique requires less bus traffic than did looping on BUSY.

**Service Request Method:** Enable the OPC bit in the Device Event Status Enable Register (DESER) and the Event Status Enable Register (ESER) using the DESE and \*ESE commands.

You can also enable service requests by setting the ESB bit in the Service Request Enable Register (SRER) using the \*SRE command. When the operation is complete, the instrument will generate a Service Request.

The same command sequence using the \*OPC command for synchronization looks like this

```

/* Set up conditional acquisition */
ACQUIRE:STATE OFF
DISPLAY:WAVEVIEW1:CH1:STATE 1
HORIZONTAL:RECORDLENGTH 1000

```

```

ACQUIRE:MODE SAMPLE
ACQUIRE:STOPAFTER SEQUENCE
/* Enable the status registers */
DESE 1
*ESE 1
*SRE 32

/* Set up the measurement parameters on the channel we're
about to sequence */ :MEASUREMENT:MEAS1:TYPE AMPLITUDE
:MEASUREMENT:MEAS1:SOURCE CH1
/* Acquire waveform data */
ACQUIRE:STATE ON
/* wait until the acquisition is complete before taking the
measurement*/
*OPC

```

The program can now do different tasks such as talk to other devices. The SRQ, when it comes, interrupts those tasks and returns control to this task.

```

/* Take amplitude measurement */
MEASUREMENT:MEAS1:RESULTS:CURRENTACQ:MEAN?

```

### Example of Using the \*OPC? Query

The \*OPC? query places a 1 in the Output Queue once an operation that generates an OPC message is complete. The \*OPC? query does not return until all pending OPC operations have completed. Therefore, your time-out must be set to a time at least as long as the longest expected time for the operations to complete.

The same command sequence using the \*OPC? query for synchronization looks like this:

```

/* Set up single sequence acquisition */
ACQUIRE:STATE OFF
DISPLAY:WAVEVIEW1:CH1:STATE 1
HORIZONTAL:RECORDLENGTH 1000
ACQUIRE:MODE SAMPLE
ACQUIRE:STOPAFTER SEQUENCE
/* Set up the measurement parameters on the channel we're
about to sequence */
MEASUREMENT:MEAS1:TYPE AMPLITUDE
MEASUREMENT:MEAS1:SOURCE CH1
/* Acquire waveform data */
ACQUIRE:STATE ON
/* wait until the acquisition is complete before taking the
measurement*/
*OPC?

```

Wait for read from Output Queue.

```

/* Take amplitude measurement */
MEASUREMENT:MEAS1:RESULTS:CURRENTACQ:MEAN?

```

This is the simplest approach. It requires no status handling or loops. However, you must set the controller time-out for longer than the acquisition operation.

### Example of Using the \*WAI Command

The \*WAI command forces completion of previous commands that generate an OPC message. No commands after the \*WAI are processed before the OPC message(s) are generated

The same command sequence using the \*WAI command for synchronization looks like this:

```

/* Set up conditional acquisition */
ACQUIRE:STATE OFF
DISPLAY:WAVEVIEW1:CH1:STATE 1
HORIZONTAL:RECORDLENGTH 1000
ACQUIRE:MODE SAMPLE
ACQUIRE:STOPAFTER SEQUENCE
/* Set up the measurement parameters on the channel we're
about to sequence */
MEASUREMENT:MEAS1:TYPE AMPLITUDE
MEASUREMENT:MEAS1:SOURCE CH1
/* Acquire waveform data */
ACQUIRE:STATE ON
/* wait until the acquisition is complete before taking
the measurement*/
*/
*WAI
/* Take amplitude measurement */
MEASUREMENT:MEAS1:RESULTS:CURRENTACQ:MEAN?

```

The controller can continue to write commands to the input buffer of the instrument, but the commands will not be processed by the instrument until all in-process OPC operations are complete. If the input buffer becomes full, the controller will be unable to write commands to the buffer. This can cause a time-out.

### Example of Using the BUSY Query

The BUSY? query allows you to find out whether the instrument is busy processing a command that has an extended processing time such as single-sequence acquisition.

The same command sequence, using the BUSY? query for synchronization, looks like this:

```

/* Set up conditional acquisition */
ACQUIRE:STATE OFF
DISPLAY:WAVEVIEW1:CH1:STATE 1
HORIZONTAL:RECORDLENGTH 1000
ACQUIRE:MODE SAMPLE
ACQUIRE:STOPAFTER SEQUENCE

```

```

/* Acquire waveform data */
ACQUIRE:STATE ON
/* Set up the measurement parameters */
MEASUREMENT:IMMED:TYPE AMPLITUDE
MEASUREMENT:IMMED:SOURCE CH1
/* wait until the acquisition is complete before taking
the measurement */
while BUSY? keep looping
/* Take amplitude measurement */
MEASUREMENT:IMMED:VALUE?

```

This sequence lets you create your own wait loop rather than using the \*WAI command. The BUSY? query helps you avoid time-outs caused by writing too many commands to the input buffer. The controller is still tied up though, and the repeated BUSY? query will result in bus traffic.

### Reference waveforms

Measurements on references also support OPC when used in conjunction with a :RECALL:WAVEFORM command.

```

/* Load the waveform file */
:RECALL:WAVEFORM "C:/Digital8.wfm",REF1
*OPC?
/* Set up the measurement parameters on the reference */
:MEASUREMENT:MEAS1:TYPE PERIOD
:MEASUREMENT:MEAS1:SOURCE REF1
*OPC?
/* wait for read from Output Queue. */
/* Take amplitude measurement */
:MEASUREMENT:MEAS1:RESULTS:CURRENTACQ:MEAN?

```

### Messages

The information contained in the topics above covers all the programming interface messages the instrument generates in response to commands and queries.

For most messages, a secondary message from the instrument gives detail about the cause of the error or the meaning of the message. This message is part of the message string and is separated from the main message by a semicolon.

Each message is the result of an event. Each type of event sets a specific bit in the SESR and is controlled by the equivalent bit in the DESER. Thus, each message is associated with a specific SESR bit. In the message tables, the associated SESR bit is specified in the table title, with exceptions noted with the error message text.

### No Event

The following table shows the messages when the system has no events or status to report. These have no associated SESR bit.

**Table 3-4: No Event Messages**

| <b>Code</b> | <b>Message</b>                                |
|-------------|-----------------------------------------------|
| 0           | No events to report; queue empty              |
| 1           | No events to report; new events pending *ESR? |

**Command Error**

The following table shows the command error messages generated by improper syntax. Check that the command is properly formed and that it follows the rules in the section on command Syntax.

**Table 3-5: Command Error Messages (CME Bit 5)**

| <b>Code</b> | <b>Message</b>               |
|-------------|------------------------------|
| 100         | Command error                |
| 101         | Invalid character            |
| 102         | Syntax error                 |
| 103         | Invalid separator            |
| 104         | Data type error              |
| 105         | GET not allowed              |
| 108         | Parameter not allowed        |
| 109         | Missing parameter            |
| 110         | Command header error         |
| 112         | Program mnemonic too long    |
| 113         | Undefined header             |
| 120         | Numeric data error           |
| 121         | Invalid character in numeric |
| 123         | Exponent too large           |
| 124         | Too many digits              |
| 130         | Suffix error                 |
| 131         | Invalid suffix               |
| 134         | Suffix too long              |
| 140         | Character data error         |
| 141         | Invalid character data       |
| 144         | Character data too long      |
| 150         | String data error            |
| 151         | Invalid string data          |
| 152         | String data too long         |
| 160         | Block data error             |
| 161         | Invalid block data           |
| 170         | Command expression error     |
| 171         | Invalid expression           |



**Execution Error** The following table lists the execution errors that are detected during execution of a command.

**Table 3-6: Execution Error Messages (EXE Bit 4)**

| <b>Code</b> | <b>Message</b>                                          |
|-------------|---------------------------------------------------------|
| 200         | Execution error                                         |
| 221         | Settings conflict                                       |
| 222         | Data out of range                                       |
| 224         | Illegal parameter value                                 |
| 241         | Hardware missing                                        |
| 250         | Mass storage error                                      |
| 251         | Missing mass storage                                    |
| 252         | Missing media                                           |
| 253         | Corrupt media                                           |
| 254         | Media full                                              |
| 255         | Directory full                                          |
| 256         | File name not found                                     |
| 257         | File name error                                         |
| 258         | Media protected                                         |
| 259         | File name too long                                      |
| 280         | Program error                                           |
| 282         | Insufficient network printer information                |
| 283         | Network printer not responding                          |
| 284         | Network printer server not responding                   |
| 286         | Program runtime error                                   |
| 287         | Future use                                              |
| 2200        | Measurement error, Measurement system error             |
| 2201        | Measurement error, Zero period                          |
| 2202        | Measurement error, No period, second waveform           |
| 2203        | Measurement error, No period, second waveform           |
| 2204        | Measurement error, Low amplitude, second waveform       |
| 2205        | Measurement error, Low amplitude, second waveform       |
| 2206        | Measurement error, Invalid gate                         |
| 2207        | Measurement error, Measurement overflow                 |
| 2208        | Measurement error, No backwards Mid Ref crossing        |
| 2209        | Measurement error, No second Mid Ref crossing           |
| 2210        | Measurement error, No Mid Ref crossing, second waveform |
| 2211        | Measurement error, No backwards Mid Ref crossing        |
| 2212        | Measurement error, No negative crossing                 |

Table 3-6: Execution Error Messages (EXE Bit 4) (cont.)

| Code | Message                                                 |
|------|---------------------------------------------------------|
| 2213 | Measurement error, No positive crossing                 |
| 2214 | Measurement error, No crossing, target waveform         |
| 2215 | Measurement error, No crossing, second waveform         |
| 2216 | Measurement error, No crossing, target waveform         |
| 2217 | Measurement error, Constant waveform                    |
| 2219 | Measurement error, No valid edge - No arm sample        |
| 2220 | Measurement error, No valid edge - No arm cross         |
| 2221 | Measurement error, No valid edge - No trigger cross     |
| 2222 | Measurement error, No valid edge - No second cross      |
| 2223 | Measurement error, Waveform mismatch                    |
| 2224 | Measurement error, WAIT calculating                     |
| 2225 | Measurement error, No waveform to measure               |
| 2226 | Measurement error, Null Waveform                        |
| 2227 | Measurement error, Positive and Negative Clipping       |
| 2228 | Measurement error, Positive Clipping                    |
| 2229 | Measurement error, Negative Clipping                    |
| 2230 | Measurement error, High Ref < Low Ref                   |
| 2231 | Measurement error, No statistics available              |
| 2233 | Requested waveform is temporarily unavailable           |
| 2235 | Math error, invalid math description                    |
| 2240 | Invalid password                                        |
| 2241 | Waveform requested is invalid                           |
| 2244 | Source waveform is not active                           |
| 2245 | Saverref error, selected channel is turned off          |
| 2250 | Reference error, the reference waveform file is invalid |
| 2253 | Reference error, too many points received               |
| 2254 | Reference error, too few points received                |
| 2259 | File too big                                            |
| 2270 | Alias error                                             |
| 2271 | Alias syntax error                                      |
| 2273 | Illegal alias label                                     |
| 2276 | Alias expansion error                                   |
| 2277 | Alias redefinition not allowed                          |
| 2278 | Alias header not found                                  |
| 2285 | TekSecure(R) Pass                                       |
| 2286 | TekSecure(R) Fail                                       |
| 2500 | Setup error, file does not look like a setup file       |

Table 3-6: Execution Error Messages (EXE Bit 4) (cont.)

| Code | Message                                                        |
|------|----------------------------------------------------------------|
| 2501 | Setup warning, could not recall all values from external setup |
| 2620 | Mask error, too few points received                            |
| 2760 | Mark limit reached                                             |
| 2761 | No mark present                                                |
| 2762 | Search copy failed                                             |

**Device Error** The following table lists the device errors that can occur during instrument operation. These errors may indicate that the instrument needs repair.

Table 3-7: Device Error Messages (DDE Bit 3)

| Code | Message                 |
|------|-------------------------|
| 310  | System error            |
| 311  | Memory error            |
| 312  | PUD memory lost         |
| 314  | Save/recall memory lost |

**System Event** The following table lists the system event messages. These messages are generated whenever certain system conditions occur.

Table 3-8: System Event Messages

| Code | Message                                                      |
|------|--------------------------------------------------------------|
| 400  | Query event                                                  |
| 401  | Power on (PON bit 7 set)                                     |
| 402  | Operation complete (OPC bit 0 set)                           |
| 403  | User request (URQ bit 6 set)                                 |
| 404  | Power fail (DDE bit 3 set)                                   |
| 405  | Request control                                              |
| 410  | Query INTERRUPTED (QYE bit 2 set)                            |
| 420  | Query UNTERMINATED (QYE bit 2 set)                           |
| 430  | Query DEADLOCKED (QYE bit 2 set)                             |
| 440  | Query UNTERMINATED after indefinite response (QYE bit 2 set) |
| 468  | Knob/Keypad value changed                                    |
| 472  | Application variable changed                                 |

**Execution Warning** The following table lists warning messages that do not interrupt the flow of command execution. They also notify you of possible unexpected results.

**Table 3-9: Execution Warning Messages (EXE Bit 4)**

| <b>Code</b> | <b>Message</b>                                  |
|-------------|-------------------------------------------------|
| 528         | Parameter out of range                          |
| 532         | Curve data too long, Curve truncated            |
| 533         | Curve error, Preamble values are inconsistent   |
| 540         | Measurement warning, Uncertain edge             |
| 541         | Measurement warning, Low signal amplitude       |
| 542         | Measurement warning, Unstable histogram         |
| 543         | Measurement warning, Low resolution             |
| 544         | Measurement warning, Uncertain edge             |
| 545         | Measurement warning, Invalid in minmax          |
| 546         | Measurement warning, Need 3 edges               |
| 547         | Measurement warning, Clipping positive/negative |
| 548         | Measurement warning, Clipping positive          |
| 549         | Measurement warning, Clipping negative          |

**Table 3-10: Execution Warning Messages (EXE Bit 4)**

| <b>Code</b> | <b>Message</b>                                  |
|-------------|-------------------------------------------------|
| 540         | Measurement warning                             |
| 541         | Measurement warning, Low signal amplitude       |
| 542         | Measurement warning, Unstable histogram         |
| 543         | Measurement warning, Low resolution             |
| 544         | Measurement warning, Uncertain edge             |
| 545         | Measurement warning, Invalid min max            |
| 546         | Measurement warning, Need 3 edges               |
| 547         | Measurement warning, Clipping positive/negative |
| 548         | Measurement warning, Clipping positive          |
| 549         | Measurement warning, Clipping negative          |

**Internal Warning**

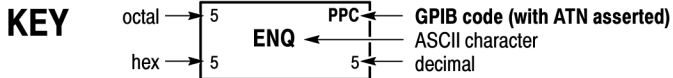
The following table shows internal errors that indicate an internal fault in the instrument.

**Table 3-11: Internal Warning Messages**

| <b>Code</b> | <b>Message</b>                 |
|-------------|--------------------------------|
| 630         | Internal warning, 50Ω overload |

# Appendix A: Character Set

| B7<br>B6<br>B5<br>BITS<br>B4 B3 B2 B1 | 0 0     |                       | 0 0 1 |                       | 0 1 0              |                     | 0 1 1 |                   | 1 0 0      |                                    | 1 0 1 |   | 1 1 0      |   | 1 1 1 |                 |
|---------------------------------------|---------|-----------------------|-------|-----------------------|--------------------|---------------------|-------|-------------------|------------|------------------------------------|-------|---|------------|---|-------|-----------------|
|                                       | CONTROL |                       |       |                       | NUMBERS<br>SYMBOLS |                     |       |                   | UPPER CASE |                                    |       |   | LOWER CASE |   |       |                 |
| 0 0 0 0                               | 0       | NUL                   | 20    | DLE                   | 40                 | SP                  | 60    | 0                 | 100        | @                                  | 120   | P | 140        | , | 160   | p               |
| 0 0 0 1                               | 1       | GTL<br>SOH            | 21    | LL0<br>DC1            | 41                 | !                   | 61    | 1                 | 101        | A                                  | 121   | Q | 141        | a | 161   | q               |
| 0 0 1 0                               | 2       | STX                   | 22    | DC2                   | 42                 | "                   | 62    | 2                 | 102        | B                                  | 122   | R | 142        | b | 162   | r               |
| 0 0 1 1                               | 3       | ETX                   | 23    | DC3                   | 43                 | #                   | 63    | 3                 | 103        | C                                  | 123   | S | 143        | c | 163   | s               |
| 0 1 0 0                               | 4       | SDC<br>EOT            | 24    | DCL<br>DC4            | 44                 | \$                  | 64    | 4                 | 104        | D                                  | 124   | T | 144        | d | 164   | t               |
| 0 1 0 1                               | 5       | PPC<br>ENQ            | 25    | PPU<br>NAK            | 45                 | %                   | 65    | 5                 | 105        | E                                  | 125   | U | 145        | e | 165   | u               |
| 0 1 1 0                               | 6       | ACK                   | 26    | SYN                   | 46                 | &                   | 66    | 6                 | 106        | F                                  | 126   | V | 146        | f | 166   | v               |
| 0 1 1 1                               | 7       | BEL                   | 27    | ETB                   | 47                 | '                   | 67    | 7                 | 107        | G                                  | 127   | W | 147        | g | 167   | w               |
| 1 0 0 0                               | 10      | GET<br>BS             | 30    | SPE<br>CAN            | 50                 | (                   | 70    | 8                 | 110        | H                                  | 130   | X | 150        | h | 170   | x               |
| 1 0 0 1                               | 11      | TCT<br>HT             | 31    | SPD<br>EM             | 51                 | )                   | 71    | 9                 | 111        | I                                  | 131   | Y | 151        | i | 171   | y               |
| 1 0 1 0                               | 12      | LF                    | 32    | SUB                   | 52                 | *                   | 72    | :                 | 112        | J                                  | 132   | Z | 152        | j | 172   | z               |
| 1 0 1 1                               | 13      | VT                    | 33    | ESC                   | 53                 | +                   | 73    | ;                 | 113        | K                                  | 133   | [ | 153        | k | 173   | {               |
| 1 1 0 0                               | 14      | FF                    | 34    | FS                    | 54                 | ,                   | 74    | <                 | 114        | L                                  | 134   | \ | 154        | l | 174   | !               |
| 1 1 0 1                               | 15      | CR                    | 35    | GS                    | 55                 | -                   | 75    | =                 | 115        | M                                  | 135   | ] | 155        | m | 175   | }               |
| 1 1 1 0                               | 16      | SO                    | 36    | RS                    | 56                 | .                   | 76    | >                 | 116        | N                                  | 136   | ^ | 156        | n | 176   | ~               |
| 1 1 1 1                               | 17      | SI                    | 37    | US                    | 57                 | /                   | 77    | ?                 | 117        | O                                  | 137   | _ | 157        | o | 177   | RUBOUT<br>(DEL) |
|                                       |         | ADDRESSED<br>COMMANDS |       | UNIVERSAL<br>COMMANDS |                    | LISTEN<br>ADDRESSES |       | TALK<br>ADDRESSES |            | SECONDARY ADDRESSES<br>OR COMMANDS |       |   |            |   |       |                 |



**Tektronix**  
 REF: ANSI STD X3.4-1977  
 IEEE STD 488.1-1987  
 ISO STD 646-2973



# Appendix B: Reserved Words

This is a list of reserved words for your instrument. Capital letters identify the required minimum spelling.

|          |               |                    |                   |
|----------|---------------|--------------------|-------------------|
| *CAL     | ACCM          | AN                 | AUTOMATIC         |
| *CLS     | ACCOMMONMODE  | ANALOG             | AUTOset           |
| *DDT     | ACDC          | ANALOG             | AUTOset           |
| *ESE     | ACDCRMS       | ANALYSISMethod     | DPMAutoSet        |
| *ESR     | ACK           | ANALYZEmode        | AUTOset DPMPReset |
| *IDN     | ACKMISS       | AND                | AUXLevel          |
| *LRN     | ACKnowledge   | ANNOTate           | AUXiliary         |
| *OPC     | ACKnum        | ANOISEDensity      | AUXout            |
| *OPT     | ACQ           | ANY                | AVAILable         |
| *PSC     | ACQDURATION   | ANYError           | Average           |
| *PUD     | ACquire       | AOffset            | AVG               |
| *RST     | ACquisition   | APOSITION          | AVPOSITION        |
| *SRE     | ACRMS         | APPID              | AXPOSITION        |
| *STB     | ACTION        | APPPWR             | AYPOSITION        |
| *TRG     | ACTONEvent    | APPPWRSUM          | Auto              |
| *TST     | ACTive        | APPLY              | B                 |
| *WAI     | ADD           | ARbitrary          | B0                |
| 0        | ADDMEAS       | AREA               | B1                |
| 1        | ADDNew        | AREA<t;x>          | B10               |
| 1066     | ADDR10        | AREAofcrosssection | B11               |
| 1200     | ADDR7         | ARINC429           | B12               |
| 128      | ADDRANDDATA   | ARINC429A          | B13               |
| 1333     | ADDRESS       | ARROW              | B14               |
| 1466     | ADDRESS       | ASCII              | B15               |
| 15       | ADDRESS       | ASCIi              | B16               |
| 1600     | ADVanced      | ASC_Fmt            | B2                |
| 1866     | AFG           | ASCIi              | B3                |
| 2133     | AGND          | ASIC               | B4                |
| 333      | AHPOSITION    | ASORuce            | B5                |
| 500E1    | ALARMSEARCh   | ASPEctratio        | B6                |
| 500E15   | ALERT         | ATRIGger           | B7                |
| 500E3    | ALIAS         | AUDIO              | B8                |
| 7        | ALL           | AUNIts             | B9                |
| 8        | ALLAcqs       | AUTHenticate       | BACA              |
| 800      | ALLBits       | AUTO               | BACKLight         |
| 9        | ALLEv         | AUTODim            | BACKward          |
| A        | ALLTHResholds | AUTOETHERnet       | BADDR             |
| AB       | ALWAYS        | AUTOINCrement      | BADGE             |
| ABC      | AM14          | AUTORange          | BADGe             |
| ABCB     | AMPL          | AUTORbw            | BANDwidth         |
| ABORT    | AMPLINear     | AUTOSAVEPITIMEOUT  | BANDwidth         |
| ABOrt    | AMPLITUDE     | AUTOSAVEUITIMEOUT  | BASE              |
| ABSOLUTE | AMPLitude     | AUTOScale          | BASETop           |
| ABSolute | AMPMode       | AUTOset            | BASic             |
| AC       | AMP[1-10]val  | AUTOZero           | BATHTUB           |
| ACBC     | AMPITUDE      | AUTOfit            | BATHtub           |

|                 |                   |                     |                 |
|-----------------|-------------------|---------------------|-----------------|
| BC              | BRSBit            | CH2                 | COMPRESSION     |
| BCR             | BSOURCE           | CH3                 | COMPensate      |
| BCRType         | BULK              | CH4                 | COMPLete        |
| BDIFFBP         | BUNITS            | CH5                 | COMPosition     |
| BEACon          | BURSTDETECTmethod | CH6                 | COMPression     |
| BER             | BURSTEDGTYPE      | CH7                 | CONDENRG        |
| BHPOSITION      | BURSTLENGTH       | CH8                 | CONDLOSS        |
| BIAS            | BURSTLatency      | CHAN1A              | CONDition       |
| BIN             | BURSTWIDTH        | CHAN2B              | CONFIGuration   |
| BINARY          | BURST             | CHANwidth           | CONFIGure       |
| BINary          | BUS               | CHX                 | CONFigure       |
| BIT             | BUSANDWAVEFORM    | Channe1             | CONNECTSTATUS   |
| BITAMPLITUDE    | BUSTABLE          | Checksum            | CONNECT         |
| BITCfmode       | BUSTURNAROUND     | CH<1;x>             | CONNECTed       |
| BITDelay        | BUSY              | CH<1;x>_DALL        | CONSTAmplitude  |
| BITEnd          | BUSx              | CH<1;x>_D<1;x>      | CONSTANTCLOCK   |
| BITHIGH         | BVPOSITION        | CHX                 | CONSTCLOCKMODE  |
| BITLOW          | BXPOSITION        | CHX_DALL            | CONSTant        |
| BITORDER        | BY                | CHX_Dx              | CONTROL         |
| BITOrder        | BYPOSITION        | CHX_Dy              | CONTROLCHARTYPE |
| BITPERIOD       | BYT_Nr            | CLASSA              | CONTROLCODETYPE |
| BITPcnt         | BYT_Or            | CLASSB              | CONTROLMESSAGE  |
| BITRate         | BYTE              | CLASSC              | CONTRol         |
| BITS            | Block             | CLASSD              | CONTInuous      |
| BITSTUFFing     | B<1;x>            | CLASS               | CONTRol         |
| BITStart        | B<1;x>PSIFIVE     | CLEAR               | COPY            |
| BITType         | Bpeak             | CLEAr               | COUNT           |
| BIT_Nr          | Br                | CLIPPING            | COUNTER         |
| BIT<1;n>SOURCE  | Bus               | CLOCK               | COUNT           |
| BJT             | Bx                | CLOCKBITSPERCHANNEL | COUPLing        |
| BLACKMANHarris  | C                 | CLOCKFrequency      | COUNT           |
| BLACKmanharris  | CA                | CLOCKMultiplier     | CPHY            |
| BLANKingtime    | CALLOUTS          | CLOCKRecovery       | CR              |
| BLOCKDATA       | CALLOUT<1;x>      | CLOCKSOURCE         | CRC             |
| BLOCKid         | CALibrate         | CLOCK               | CRC16           |
| BLUe            | CAN               | CLOCKSOURCE         | CRC5            |
| BM              | CAN2X             | CLRESPONSE          | CRCERRor        |
| BMP             | CANH              | CMETHOD             | CRCHeader       |
| BMSGEnd         | CANL              | CN                  | CRCTrailer      |
| BN              | CAPACITANCE       | COFFSet             | CREATOR         |
| BNOISE          | CARDIac           | COLOR               | CROSSIng        |
| BN_Fmt          | CATaLog           | COLOROFF            | CSActive        |
| BOFFSet         | CB                | COLORON             | CSI             |
| BOLD            | CCODE             | COLORy              | CSIBLANK        |
| BOOKMARK        | CCOUNT            | COLOR               | CSINULL         |
| BOOKMark        | CCRESUlts         | COLORs              | CSLevel         |
| BOTH            | CCYCLes           | COMM                | CSMode          |
| BPACKets        | CENTERFREQUENCY   | COMMAND             | CSPLIT          |
| BPOSITION       | CENTERFrequency   | COMMONMODE          | CSSource        |
| BRGTID          | CGND              | COMMONMode          | CSYMLue         |
| BRINGtOview     | CGS               | COMMand             | CURRENT         |
| BROADCASTPacket | CH                | COMMENTS            | CURRent         |
| BROadcast       | CH1               | COMPRESSEDPSTream   | CURRentacq      |



|                    |               |                      |                |
|--------------------|---------------|----------------------|----------------|
| CURSOR             | DATATHRESHold | DDRWRITE             | DISPLAYUnits   |
| CURSOR1            | DATE          | DDRWrite             | DISParity      |
| CURSOR<lt;x>       | DATA          | DDT                  | DISPlaystat    |
| CURSor             | DBCA          | DECIMAL              | DISabled       |
| CURSors            | DBM           | DECode               | DISPlay        |
| CURVe              | DBMA          | DEFect               | DISPlaymode    |
| CURrent            | DBMV          | DEFine               | DIVide         |
| CUSTOM             | DBUA          | DEFinedby            | DIVisions      |
| CUSTOMLIMITSFile   | DBUV          | DEGAUSS              | DJ             |
| CUSTOMPROPagation  | DBUW          | DEGrees              | DJDD           |
| CUSTOMTABle        | DC            | DELAY                | DJDIRAC        |
| CUSTOm             | DCD           | DELETE               | DMINus         |
| CWD                | DCDC          | DELETEALL            | DMSGEnd        |
| CYCLE              | DCP1W2        | DELEte               | DNS            |
| CYCLEAmp           | DCPWR         | DELIMiter            | DFFSet         |
| CYCLEBase          | DCR           | DELTA                | DOMAINname     |
| CYCLECount         | DCREJ         | DELTATime            | DOMain         |
| CYCLEMAX           | DCRType       | DELTA                | DONTInClude    |
| CYCLEMin           | DCSLONGWRITE  | DELTatime            | DONTcare       |
| CYCLEMode          | DCSLONGREAD   | DELaY                | DOTsonly       |
| CYCLEPKPK          | DCSR          | DELeTe               | DOUBLE         |
| CYCLETop           | DCSSRR        | DELeTeqstring        | DPHY           |
| CYCLEcount         | DCSSW         | DELta                | DPLUS          |
| CYCLEmode          | DDJ           | DESE                 | DPMOVERSHOOT   |
| ChIpSelect         | DDR           | DESKEW               | DPMRIPPLE      |
| Chx_Dx             | DDR3          | DESKeW               | DPMTURNOFFTIME |
| ClockEdge          | DDRAOS        | DEST                 | DPMTURNONTIME  |
| Current            | DDRAOSPERTCK  | DESTination          | DPMUNDERSHOOT  |
| D                  | DDRAOSPERUI   | DESTinationaddr      | DPlus          |
| DADDR              | DDRAUS        | DESTinationport      | DQ0            |
| DAMPing            | DDRAUSPERTCK  | DEVErRor             | DQDQS          |
| DATA               | DDRAUSPERUI   | DEVIceChirp          | DRIVE          |
| DATA0              | DDRHOIDDIFF   | DEVIceDESCMASTERREAD | DRive          |
| DATA1              | DDRREAD       | DEVIceDESCSLAVEREAD  | DSI            |
| DATA2              | DDRREADWRITE  | DEVIceTYPE           | DSIBLANK       |
| DATAA              | DDRREADWrite  | DEVIceType           | DSINULL        |
| DATAB              | DDRRead       | DEVIcetype           | Duty           |
| DATABITS           | DDRSETUPDIFF  | DHCPbootp            | DVBYDT         |
| DATABITS           | DDRTCHABS     | DIAG                 | DVDT           |
| DATABits           | DDRTCAVERAGE  | DIBYDT               | DVM            |
| DATAFORMat         | DDRTCKAVERAGE | DIDT                 | DWORD          |
| DATAFORMat         | DDRTCLABS     | DIFF                 | DYNAMIC        |
| DATAFormat         | DDRTCLAVERAGE | DIFFerential         | DYNAMIC        |
| DATAMINUS          | DDRTDQSK      | DIGGRPlt;x>          | DYNRange       |
| DATAMINUSTHRESHOLD | DDRTERRMN     | DIR                  | DeLtaB         |
| DATAMINUSTHRESHold | DDRTERRN      | DIRECTPacket         | DeLtaH         |
| DATAPLUS           | DDRTJITCC     | DIRacmodel           | Dlt;x>         |
| DATAPLUSTHRESHold  | DDRTJITDUTY   | DIREct               | EACHCLOCKCYCLE |
| DATAPacket         | DDRTJITPER    | DIREction            | EBIT           |
| DATAPath           | DDRTTPST      | DISCMODE             | EBITVALue      |
| DATARATE           | DDRTRPRE      | DISCrete             | ECC            |
| DATARate           | DDRTWPRE      | DISLave              | ECL            |
| DATASource         | DDRVIXAC      | DISPLAY              | ECU            |

|                |                   |              |                 |
|----------------|-------------------|--------------|-----------------|
| ECUDATa        | EOp               | EYERender    | FIFTy           |
| ECUSENSor      | EQua1             | EYEWIDTHBER  | FIFTyhz         |
| ECUSOURce      | EQuation          | EYEhistogram | FIFTy           |
| EDECAY         | EQua1             | Efficiency1  | FILE            |
| EDGE           | EQua1NOTEQua1     | Efficiency2  | FILEDest        |
| EDGEInCre      | ERISe             | Efficiency3  | FILEFormat      |
| EDGEQUALONE    | ERROR             | Equa1s       | FILEName        |
| EDGEQUALTWO    | ERRORREPort       | Execute      | FILESYSTEM      |
| EDGEQUALifier  | ERRORTYPe         | F1MAG        | FILESystem      |
| EDGES          | ERROR             | F2           | FILTERRANGEFROM |
| EDGESOURce     | ERRTYPe           | F3MAG        | FILTERRANGETO   |
| EDGESource     | ERRTYPe           | F4           | FILTER          |
| EDGEType       | ERRTYPe           | F8           | FILTer          |
| EDGE<lt;x>     | ERRor             | FACTory      | FILEpath        |
| EDGE           | ERRors            | FAIL         | FIRST           |
| EFFICIENCY     | ESCAPEMODE        | FAILCount    | FIVE            |
| Efficiency     | ESIBit            | FALL         | FIVEHundred     |
| EIGHTBIT       | ET                | FALLHigh     | FIXED           |
| EIGHTHUNDREdHz | ETHERNET          | FALLING      | FIXed           |
| EITHER         | ETHERnet          | FALLLow      | FLATNESS        |
| EITHer         | ETHernet          | FALLMid      | FLATTOP2        |
| EITHer         | EUSB              | FALLSLEWRATE | FLATtop2        |
| EMBEDDED       | EVEN              | FALLTIME     | FLAG            |
| ENABLe         | EVENT             | FALLing      | FLEXRAY         |
| ENABle         | EVENTBYTe         | FALSe        | FLEXray         |
| ENABled        | EVENTS            | FALLing      | FLIP            |
| ENCdg          | EVENTtable        | FAMILYCODE   | FLYBACK         |
| ENCoding       | EVERY             | FAST         | FOLDER          |
| END            | EVMsg             | FASTAcq      | FONT            |
| ENDPoint       | EVQty             | FASTERthan   | FONTSize        |
| ENDSEARCh      | EXCURsion         | FASTer       | FORCEDRange     |
| ENDtime        | EXECUTEQUEue      | FASTframe    | FORCE           |
| ENET           | EXECute           | Fast         | FORMError       |
| ENET100        | EXITSwindow       | FBD1         | FORMat          |
| ENET1000       | EXPLICITCLOCK     | FBD2         | FORward         |
| ENgineering    | EXPLICITCLOCKMODE | FBD3         | FOUR            |
| ENHANCED4      | EXPORTRaw         | FC1063       | FOURBIT         |
| ENHANCED8      | EXTAtten          | FC133        | FOURHUNDREDHZ   |
| ENSLave        | EXTDBatten        | FC2125       | FOURHUNDREdHz   |
| ENTERSWindow   | EXTENDED          | FC266        | FOURHundred     |
| ENTRDya        | EXTENDED          | FC4250       | FOURTEENten     |
| ENTRTSTMode    | EXTENDuis         | FC531        | FP              |
| ENTasx         | EXTREGREAD        | FC8500       | FPANel          |
| ENvelope       | EXTREGWRite       | FCS          | FPBinary        |
| ENABle         | EXTUnits          | FCSError     | FRAME           |
| EOF            | EXTended          | FD           | FRAMECONTRol    |
| EOFTYPE        | EXTernal          | FDBITS       | FRAMEEND        |
| EOP            | EXTime            | FDISO        | FRAMEID         |
| EOPBITS        | EYEDIAGRAM        | FDNONISO     | FRAMELEngth     |
| EOT            | EYEHIGH           | FFT          | FRAMEREJ        |
| EOTP           | EYELOW            | FIBREchanne1 | FRAMESTART      |
| EOTPDATa       | EYEMASK           | FIFTY        | FRAMETYPe       |
| EOW            | EYERENDER         | FIFTYHZ      | FRAMETYPe       |

|                      |                 |                 |                   |
|----------------------|-----------------|-----------------|-------------------|
| FRAMeType            | GETSlave        | HIGHLimit       | IMAGinary         |
| FRAMING              | GLoBa1          | HIGHPass        | IMDA              |
| FRAMe                | GLoBa1ref       | HIGHREFVo1tage  | IMDAACQTREND      |
| FRAMe                | GLONGREAD       | HIGHTIME        | IMDADQ0           |
| FREFerence           | GLONGWRITE      | HIGHZ           | IMDAEFFICIENCY    |
| FREQ                 | GLoBa1          | HIRes           | IMDAHARMONICS     |
| FREQBYTE             | GM              | HISTOGRAM       | IMDAINPUTCURRENT  |
| FREQUENCY            | GMT             | HIStory         | IMDAINPUTPOWER    |
| FREQ[1-10]Va1        | GPKNOb1         | HITDMVALue      | IMDAINPUTVOLTAGE  |
| FREQ[1-11]Va1        | GPKNOb2         | HITS            | IMDALINERIPPLE    |
| FREQuency            | GR              | HITType         | IMDAPHASORDIAGRAM |
| FROM                 | GRATICULE       | HIVALue         | IMDAPLOTDisplay   |
| FROMEDGESEARCHDIRect | GRATicule       | HOLD            | IMDAPOWERQUALITY  |
| FROMLeve1            | GRATicule       | HOLDtime        | IMDASWITCHRIPPLE  |
| FROMSearch           | GREATERthan     | HOLDoff         | IMDATIMETREND     |
| FROMSymbol           | GREen           | HOMEDir         | IMPEDANCE         |
| FROMedge             | GRIDTYPE        | HORDER          | IMPEDance         |
| FRame                | GRIDlines       | HORIZontalscale | IN                |
| FULL                 | GRId            | HORZ            | INACCBYTe         |
| FULLSPEED            | GROUPDe1ay      | HORZPOS         | INCLUDEREFs       |
| FULLScreen           | GSLSb           | HORZScale       | INCLUde           |
| FUL1                 | GSMSb           | HORizonta1      | INCLUde           |
| FUNCTIONCODETYPE     | GSP             | HOSTChirp       | INDBits           |
| FUNCTIONCODE         | GSRR            | HOTJoin         | INDEPENDENT       |
| FUNcTion             | GSW             | HS              | INDUCT            |
| FUNDCURRent          | H               | HSOURce         | INDUCTANCE        |
| FW1394BS1600B        | HAMMING         | HSYNCEND        | INDEX             |
| FW1394BS400B         | HANDSHAKEPacket | HSYNCSTART      | INFILTErs         |
| FW1394BS800B         | HANDSHAKEType   | HUB             | INFINite          |
| False                | HANNing         | HUNDRDBASETx    | INFMAXimum        |
| GAIN                 | HARMONICS       | HUNDred         | INFMINimum        |
| GAINCROSSOVERFREQ    | HARMONICSCLass  | HYSTEResis      | INFPersist        |
| GAP                  | HARMONICSSOURce | HYSTEResis      | INFORMATION       |
| GATESource           | HARMONICSStd    | Hc              | INIT              |
| GATEWay              | HARMONICSUNits  | Hmax            | INPUT             |
| GATing               | HAVERSINE       | I2C             | INPUTCAP          |
| GAUSSian             | HBArs           | I2S             | INPUTLeve1        |
| GAUSSian             | HDRCapability   | I3C             | INPUTMode         |
| GENIPADDRESS         | HDRExit         | IBA2500         | INPUTPower        |
| GENERator            | HDRRestart      | IBA_GEN2        | INPUTSource       |
| GET                  | HEADER          | ICFACTOR        | INPUTType         |
| GETBusch             | HEADer          | ID              | INPWR             |
| GETDevch             | HEIGHT          | IDANDDATA       | INPWRSUM          |
| GETMRd1              | HEIGHTBER       | IDFORmat        | INPUt             |
| GETMwr1              | HEIGHT          | IDLE            | INRUSH            |
| GETPrid              | HEX             | IDLEtime        | INRUSHcurrent     |
| GETReg               | HEXAgon         | IDLe            | INSIDEGreater     |
| GETRegpktalert       | HFRej           | IDentifier      | INSIDERange       |
| GETRegpktbad         | HI              | IEC             | INSTR             |
| GETRegpktrecent      | HID             | IEEE519         | INSTa11           |
| GETRegtestcfg        | HIGH            | ILEVELAbs       | INTENSITY         |
| GETRegvondor         | HIGHLeve1       | ILEVELPct       | INTERNAL          |
| GETRegvrent          | HIGHLeve1       | IMAGE           | INTERPRatio       |

|               |                    |                 |                   |
|---------------|--------------------|-----------------|-------------------|
| INTERRUPT     | LAYout             | LONGEXTREGWRite | MASTERREAD        |
| INTERNAL      | LDIR               | LOOP            | MASTERWRITE       |
| INTERp        | LEFT               | LOOPBandwidth   | MASTer            |
| INTERNAL      | LENGTH             | LORENTz         | MATCHROM          |
| INVERTColor   | LENGth             | LOW             | MATH              |
| INVERTNIBble  | LESSEQual          | LOWDATAMINus    | MATHArbfl<lt;x>   |
| INVERTed      | LESSLimit          | LOWDATAPLUS     | MATHFFTview<lt;n> |
| INVERTed      | LESSThan           | LOWERFREQuency  | MATHFFTview<lt;x> |
| INVert        | LESSThan           | LOWLeve1        | MATHFFTx          |
| INVerted      | LEVELUNIts         | LOWLimit        | MATH<lt;x>        |
| INputs        | LEVe1              | LOWPass         | MATHx             |
| INrange       | LF                 | LOWREFVo1tage   | MATlab            |
| IO            | LFREQuency         | LOWSPEED        | MAX               |
| IOUT1SOURCE   | LFRej              | LOWTHRESHo1d    | MAXCAS            |
| IOUT2SOURCE   | LIC                | LOWTIME         | MAXCycle          |
| IOUT3SOURCE   | LICENSE            | LOWer           | MAXFRames         |
| IPADDRESS     | LICense            | LOWerthresHo1d  | MAXHo1d           |
| IPHeader      | LIMIT              | LP              | MAXIMUM           |
| IPOWER        | LIMITCount         | LPDDR3          | MAXPSRR           |
| IPVFOUR       | LIMit              | LPDT            | MAXPSRRFREQ       |
| IRMS          | LIN                | LPS666          | MAXREAD           |
| IRipple       | LINE               | LPTHRESHo1d     | MAXRETSIZE        |
| ISCLOCKED     | LINEAR             | LPYCBCR24       | MAXRTURN          |
| ISOALL        | LINEAr             | LRIPPKPK        | MAXSamplerate     |
| ISOEND        | LINEEND            | LRIPRMS         | MAXTIME           |
| ISOMID        | LINEFREQUENCY      | LSB             | MAXVo1tage        |
| ISOSTART      | LINERIPPLE         | LSlave          | MAXWRITE          |
| ISOURce       | LINESTART          | LXI             | MAXimum           |
| ISOURce       | LINESelected       | LogicState      | MDATA             |
| ISOchronous   | LINear             | MAC             | MDATASpeed        |
| ITALIC        | LIST               | MACADDRESS      | MDIO              |
| ITALic        | LJ                 | MACLENGth       | ME                |
| ITEM          | LOAD               | MAG             | MEAN              |
| IVSINTEGRALV  | LOCKCenter         | MAGLOSS         | MEANAUTOCalculate |
| IVSINTV       | LOCKRJ             | MAGNETICLOSS    | MEANHistogram     |
| InputPwr      | LOCKRJValue        | MAGNITUDE       | MEAS              |
| Inrange       | LOCKspectrum       | MAGNitude       | MEAS1             |
| J2            | LOCK               | MAGPROPERTY     | MEASRange         |
| J9            | LOG                | MAINWindow      | MEASTAB1e         |
| JITTERMODE    | LOGARITHM          | MAIn            | MEASU             |
| JITTERSUMMARY | LOGIC              | MANChester      | MEASUREAT         |
| JITTERSummary | LOGIC1SOURCE       | MANUAL          | MEASUREMENT       |
| JITTERmode1   | LOGIC2SOURCE       | MANua1          | MEAS<lt;x>        |
| JPG           | LOGIC3SOURCE       | MARKER          | MEASured          |
| JTFBandwidth  | LOGIC4SOURCE       | MARGIn          | MEASurement       |
| KAISERBesse1  | LOGIC5SOURCE       | MASK            | MEASx             |
| KAISerbesse1  | LOGICPattern       | MASKFail        | MEDian            |
| L             | LOGICQUALification | MASKHit         | MEDIum            |
| L2LTOL2N      | LOGICSource        | MASKOffset      | MEMORY            |
| LABELANDDATA  | LOGIC              | MASKPass        | MESSaging         |
| LABe1         | LOGic              | MASKfile        | METHod            |
| LAN           | LONG               | MASK<lt;x>      | MID               |
| LATCH         | LONGEXTREGREAD     | MASTERADDRESS   | MIDRef            |

|                  |                   |                   |                     |
|------------------|-------------------|-------------------|---------------------|
| MIL              | NEGAtive          | NUMOUTputs        | OUTPUT4             |
| MIL1553B         | NEGAtive          | NUMSEQUence       | OUTPUT4SOURce       |
| MIN              | NETWOrKCONFIg     | NWIDTH            | OUTPUT4VOLTage      |
| MINCas           | NEWpass           | NWIDTTH           | OUTPUT5             |
| MINCYcle         | NEXt              | NYET              | OUTPUT5SOURce       |
| MINHOLD          | NIBBLECount       | None              | OUTPUT5VOLTage      |
| MINIMUM          | NIBBLE            | OC1               | OUTPUT6             |
| MINImum          | NO                | OC12              | OUTPUT6SOURce       |
| MINMax           | NOCARE            | OC3               | OUTPUT6VOLTage      |
| MINPSRR          | NOISEAdd          | OC48              | OUTPUT7             |
| MINPSRRFREQ      | NOISErej          | OCCURS            | OUTPUT7SOURce       |
| MINUI            | NOISE             | ODD               | OUTPUT7VOLTage      |
| MINimum          | NOMINALOFFset     | ODDEven           | OUTPUTSource        |
| MISO             | NOMinal           | OFF               | OUTPUTType          |
| MIXED            | NOMinalfreq       | OFF1              | OUTPUT<lt;n>VOLTage |
| MIXEDASCII       | NONE              | OFFSet            | OUTPWR              |
| MIXEDHEX         | NONTRANSition     | ON                | OUTPWRSUM           |
| MIXed            | None              | ONCE              | OUTPut              |
| MKDir            | NOPARity          | ONE               | OUTSIDEGreater      |
| MODE             | NOR               | ONEOVERDELTAVALUE | OUTSIDErange        |
| MODEHistogram    | NORESPonse        | ONEPAIRI          | OUTSOURCE           |
| MODE             | NORMALColor       | ONEPAIRV          | OUTWIRing           |
| MODEl            | NORMAl            | ONEPAIRVI         | OUTrange            |
| MODulo           | NORMAl            | ONEWIRE           | OUTSide             |
| MOREEQua         | NOSTATION         | ONFAIL            | OVERDRIVEMATCH      |
| MOREEQuAl        | NOTE              | OPCODEERRor       | OVERDRIVESKIP       |
| MOREEQuAlInrange | NOTEQuAls         | OPCode            | OVERDRIVE           |
| MORELimit        | NOVERSHOOT        | OPERating         | OVERLoad            |
| MOREThan         | None              | OPPOSITEas        | OVERride            |
| MOREthan         | NPERIOD           | OPTIMIZAtion      | OVERlay             |
| MOSFET           | NPJ               | OPTIMize          | OVERdrive           |
| MOSi             | NPULSE            | OPTIONALPARAm     | OVERlay             |
| MOUNT            | NPULSEWIDTH       | OPTION            | Output1Pwr          |
| MOVEABLE         | NR1               | OPTIONAl          | Output2Pwr          |
| MSB              | NR2               | OR                | Output3Pwr          |
| MULTiply         | NR3               | OUT               | P1W2V1I1            |
| MULTipleframes   | NRZ               | OUTEDGEQUALifier  | P1W3V2I2            |
| Manual           | NR_Pt             | OUTFILTERs        | P3W3                |
| Math<lt;x>       | NTIMES            | OUTL2LTOL2N       | P3W3V2I2            |
| Mathx            | NTIMES            | OUTLINESelected   | P3W3V3I3            |
| N                | NULL              | OUTPUT            | P3W4                |
| NACK             | NULLFRDynamic     | OUTPUT1           | PACKET              |
| NAK              | NULLFRStatic      | OUTPUT1SOURce     | PACKets             |
| NAME             | NULl              | OUTPUT1Type       | PALETTE             |
| NAME             | NUMACQs           | OUTPUT1VOLTage    | PANKNOB             |
| NAND             | NUMACq            | OUTPUT2           | PARityerror         |
| NAND             | NUMAVg            | OUTPUT2SOURce     | PARAllel            |
| NATIVE           | NUMBER            | OUTPUT2Type       | PARity              |
| NAVigate         | NUMBins           | OUTPUT2VOLTage    | PASSFAILEnabled     |
| NDUTY            | NUMCHANnel        | OUTPUT3           | PASSFAILHIGHlimit   |
| NDUTYCYCLE       | NUMERICORDER      | OUTPUT3SOURce     | PASSFAILLimit       |
| NDuTy            | NUMFRAMESACquired | OUTPUT3Type       | PASSFAILLOWlimit    |
| NDuTy            | NUMOFOutputs      | OUTPUT3VOLTage    | PASSFAILMARGin      |

|                    |                   |                |            |
|--------------------|-------------------|----------------|------------|
| PASSFAILWHEN       | PLL               | PRIOD          | RATE19K    |
| PASSWord           | PLOT              | PROBEControl   | RATE1K     |
| PATTERNDETECTION   | PLOTData          | PROBECal       | RATE1M     |
| PATTERNLength      | PLOTVIEW<t;x>     | PROBEFunc      | RATE20K    |
| PATTERNType        | PLOTVIEWx         | PROFile        | RATE250K   |
| PATtern            | PLOTview<t;n>     | PROTOcol       | RATE25K    |
| PAUSE              | PLOTview<t;x>     | PROTOcol       | RATE2K     |
| PAUSEPULSe         | PLOT<t;x>         | PROTocol       | RATE2M     |
| PAUSE              | PLOTx             | PRObe          | RATE300    |
| PAYLength          | PM                | PSIFive        | RATE31K    |
| PAYLOAD            | PNG               | PSRR           | RATE33K    |
| PAYLength          | PNJUNCTION        | PTYPE          | RATE38K    |
| PAYLoad            | POHCL             | PT_Fmt         | RATE3M     |
| PAYload            | POHCM             | PT_Off         | RATE400K   |
| PCIE_GEN1          | POHCS             | PULSEWIDTH     | RATE4K     |
| PCIE_GEN2          | POINT             | PULSEwidth     | RATE4M     |
| PCIE_GEN3          | POINTS            | PULSe          | RATE500K   |
| PCIExpress         | POLARITY          | PULSe          | RATE50K    |
| PDUTTY             | POLarity          | PWIDTH         | RATE5M     |
| PDUTY              | POPulation        | PWRFACTOR      | RATE62K    |
| PDUTYCYCLE         | PORT              | PWRFREQ        | RATE68K    |
| PEAK               | PORTConfiguration | PWRUpstatus    | RATE6M     |
| PEAKCURRENT        | PORTReset         | ParalBlockgt   | RATE7M     |
| PEAKVOLTage        | POSITIVE          | Permeability   | RATE800K   |
| PEAKdetect         | POST              | QFACTOR        | RATE83K    |
| PERCent            | POSTAMBLE         | QString        | RATE8M     |
| PERFREQ            | POSITION          | QStringNR1     | RATE921K   |
| PERIOD             | POSitive          | QStringQString | RATE92K    |
| PERIOD             | POVERSHOOT        | QTAG           | RATE9K     |
| PERSistence        | POWERFACTOR       | QTAGGING       | RATE9M     |
| PERSource          | POWERQUALITY      | QUALifier      | RATED      |
| PFACTOR            | POWERRating       | QUALifier      | RAW10      |
| PFC                | POWERx            | QString        | RAW12      |
| PHASE              | POWLINear         | RADIans        | RAW14      |
| PHASECROSSOVERFREQ | POWLOG            | RAIL17         | RAW16      |
| PHASENOISE         | Power             | RAILNUM        | RAW20      |
| PHASEONE           | Power<t;x>        | RAMP           | RAW6       |
| PHASETHREE         | PPD               | RAMPtime       | RAW7       |
| PHASETWO           | PPS101010         | RANDom         | RAW8       |
| PHASOR             | PPS121212         | RAP            | RBW        |
| PHASE              | PPS565            | RAPDATA        | RBWMode    |
| PHYSICALADDRESS    | PPS666            | RATE100K       | RCURRENT   |
| PHYSicaladdress    | PPS888            | RATE10K        | RDS        |
| PICPARAMeter       | PPULSE            | RATE10M        | RDSON      |
| PID                | PPULSEWIDTH       | RATE115K       | RDSON      |
| PING               | PREAMBLE          | RATE11M        | READ       |
| PIXELNUMBER        | PRESET            | RATE125K       | READFile   |
| PIXELVALue         | PRESS             | RATE12M        | READROM    |
| PIXel              | PREViewstate      | RATE13M        | READout    |
| PJ                 | PREVIOUS          | RATE14M        | READY      |
| PK2PK              | PREamble          | RATE153K       | REAL       |
| PK2Pk              | PREsence          | RATE15M        | RECALL     |
| PKPK               | PRIMARYTURNS      | RATE16M        | RECALLmask |

|                    |                     |                 |                 |
|--------------------|---------------------|-----------------|-----------------|
| RECORD             | REQuESted           | RMS             | SCRAmBlIng      |
| RECORDLength       | RERUN               | RNR             | SDATa           |
| RECOrdlength       | RESAMPLE            | ROLL            | SDI             |
| RECTANGLE          | RESAMPLERate        | ROLOCATION      | SDIDATA         |
| RECTANGular        | RESERVed            | ROMCODe         | SDIDATASSM      |
| RECTangle          | RESET               | ROSc            | SDLC            |
| RECTangular        | RESEtTRIGger        | ROtAtion        | SDR             |
| RED                | RESOLution          | RP              | SDRBroadcast    |
| REF                | RESPONSECODe        | RPBinary        | SDRdirect       |
| REFERENCE          | RESPonse            | RR              | SE              |
| REFFFTView<t;n>    | RESPonsetime        | RRBDisplaystate | SEARCH          |
| REFFFTView<t;x>    | RESUME              | RS232C          | SEARCH1         |
| REFFFTx            | RESUlT              | RSTDYa          | SEARCHOPTION    |
| REFLEVELMode       | RESUlTs             | RUN             | SEARCHROM       |
| REFLevel           | RESample            | RUNStOp         | SEARCHSource    |
| REFLevels          | RESet               | RUNT            | SEARCHTABle     |
| REFLevels<t;x>     | RESistance          | RUNt            | SEARCHTable     |
| REFMode            | RF_AVErage          | RWINADDR        | SEARCH<t;x>     |
| REFOUT             | RF_FREQuency        | RX              | SEARCHtotrigger |
| REFVOLTAGE<t;n>Val | RF_FREQuency<t;x>   | S8B10B          | SEARCHx>        |
| REFVoltage         | RF_MAGNitude        | SADDRESS        | SEARCH          |
| REFERENCE          | RF_MAGNitude<t;x>   | SAME            | SEC1SOURCE      |
| REF<t;x>           | RF_MAXHold          | SAMEas          | SEC1TURNS       |
| REF<t;x>_DALL      | RF_MINHold          | SAMPLERate      | SEC2SOURCE      |
| REF<t;x>_D<t;x>    | RF_NORMAl           | SAMPLEpoint     | SEC2TURNS       |
| REFx               | RF_PHASE            | SAMplE          | SEC3SOURCE      |
| REFx_DX            | RF_PHASE<t;x>       | SAS12_NOSSC     | SEC3TURNS       |
| REGOWRite          | RFvsTime            | SAS12_SSC       | SEC4SOURCE      |
| REGAddrtestcfg     | RGB444              | SAS15_NOSSC     | SEC4TURNS       |
| REGAddrvndor       | RGB555              | SAS15_SSC       | SEC5SOURCE      |
| REGDatatestcfg     | RGB565              | SAS3_NOSSC      | SEC5TURNS       |
| REGDatavndor       | RGB666              | SAS3_SSC        | SEC6SOURCE      |
| REGISTERADDRESS    | RGB888              | SAS6_NOSSC      | SEC6TURNS       |
| REGREAD            | RI                  | SAS6_SSC        | SECOND          |
| REGWRite           | RIBinary            | SATA_GEN1       | SECONds         |
| REGion             | RIGht               | SATA_GEN2       | SECPhase        |
| REGister           | RI0125              | SATA_GEN3       | SECVo<t         |
| REGisteraddress    | RI0250              | SAVEIMAGE       | SECWINDings     |
| REJ                | RI03125             | SAVEON          | SECONds         |
| REJect             | RIPPLEFREQu<t;n>Val | SAVEONEvent     | SEG<t;x>        |
| REM                | RISE                | SAVEWAVEform    | SEG<t;x>COUNT   |
| REMOte             | RISEHigh            | SAVE            | SEG<t;y>        |
| REName             | RISELow             | SAVEmask        | SELECTED        |
| REPEATERHOST       | RISEMid             | SC              | SELECTIONtype   |
| REPEATERPERIPHERAL | RISESLEWRATE        | SCALE           | SELTrace        |
| REPEATStart        | RISETIME            | SCALERATIO      | SELEct          |
| REPEATstart        | RISING              | SCALE           | SELEcted        |
| REPOrt             | RISe                | SCALE           | SENSORADDRESS   |
| REPWR              | RISing              | SCIENTIFIC      | SENSORECU       |
| REPWRSUM           | RJ                  | SCLk            | SENSORSTATUS    |
| REPeating          | RJDD                | SCOPEApp REBOOT | SENSOr          |
| REQDISConnect      | RJDIRAC             | SCRAMBLING      | SENT            |
| REQSETINIT         | RMDir               | SCREEN          | SEQSEtUp        |

|                 |                |                |                 |
|-----------------|----------------|----------------|-----------------|
| SEQnum          | SIXTEENeight   | SPECTrum       | STOPACQ         |
| SEquence        | SIXTYHZ        | SPI            | STOPAcq         |
| SERIALNUMBER    | SIXTYhz        | SPLIT          | STOPAfter       |
| SERVICE         | SIXty          | SPLITMODE      | STOPFREquency   |
| SERVICEMODE     | SIZE           | SPLit          | STOPFrequency   |
| SERVICENAME     | SIZEe          | SPMI           | STROBE          |
| SERnumber       | SKEW           | SPREADSheet    | STROBESource    |
| SESSion         | SKIPROM        | SPace          | STRObe          |
| SET             | SLAVE          | SQUELCH        | STRObe          |
| SETBrt          | SLAVEADDRESS   | SQUare         | STYPe           |
| SETDecay        | SLAVE          | SRBinary       | STYle           |
| SETDya          | SLEEP          | SRJ            | STandard        |
| SETFast         | SLEWRATEMethod | SRPbinary      | STop            |
| SETHOLDLogicval | SLEep          | SRQ            | SUBAddress      |
| SETHold         | SLOW           | SS             | SUBGROUP        |
| SETLevel        | SLOWERthan     | SSC            | SUBNETMask      |
| SETMrdl         | SLOWER         | SSCFREQDEV     | SUBSF           |
| SETMwr1         | SLOpe          | SSCMODRATE     | SUBTYPe         |
| SETNdya         | SMPS           | SSCPROFILE     | SUBtract        |
| SETPs           | SNAp           | SSM            | SUMFrame        |
| SETRegaddr      | SNRM           | SSPLIT         | SUPPORTBYTe     |
| SETRegdata      | SNRME          | STADDRESS      | SUPPress        |
| SETSlow         | SOA            | STALL          | SUPervisory     |
| SETTime         | SOAHITSCNT     | STANDARD       | SUSPEND         |
| SETUP           | SOCKETServer   | STANDARD       | SV              |
| SETUp           | SOF            | START          | SVID            |
| SETWp           | SOFFRAMENUMber | STARTBIT       | SWITCHING       |
| SEText          | SOT            | STARTCONDition | SWITCHINGLOSS   |
| SEVEN           | SOURCE         | STARTFREQUEncy | SWITCHINGRIPPLE |
| SFD             | SOURCEEDGEType | STARTFREquency | SWL             |
| SFPbinary       | SOURCEList     | STARTFrequency | SWLCONFIGType   |
| SHAPE           | SOURCEType     | STARTPACKet    | SWRIPPKPK       |
| SHORT           | SOURCES        | STARTOfframe   | SWRIPRMS        |
| SHOWAREas       | SOURCE         | STARTtime      | SYMB            |
| SHOWCRiteria    | SOURce         | STARTUp        | SYMBOL          |
| SHOWEQuation    | SOURceaddr     | STARTUpnosync  | SYMBOL          |
| Short           | SOURcelt;x>    | START          | SYMBOLs         |
| SHUTDOWN        | SOURceport     | STATE          | SYMMetry        |
| SHUTdown        | SOW            | STATEBYTe      | SYNC            |
| SI              | SPACEWIRE      | STATIC         | SYNCBITS        |
| SIGNAL          | SPAN           | STATIONADDR    | SYNCFrame       |
| SIGNALFREQUENCY | SPANABovebw    | STATIStics     | SYNCMODE        |
| SIGNALType      | SPANBELOWdc    | STATUS         | SYNCSEARCh      |
| SIGNALType      | SPANRBWRatio   | STATE          | SYNCTHRESHold   |
| SIGNAl          | SPEC           | STATic         | SYNCfield       |
| Signal          | SPECIALPacket  | STATus         | SYSTEM          |
| SINC            | SPECIALType    | STAYSHigh      | Start           |
| SINE            | SPECTRAL       | STAYSLow       | Stop            |
| SINGLE          | SPECTRALBUJ    | STACKed        | String          |
| SINX            | SPECTRUM       | STANDARD       | Symbol          |
| SIX             | SPECTRAL       | STDDev         | TARGETBER       |
| SIXBIT          | SPECViewlt;x>  | STEPRESPONSE   | TBIT            |
| SIXFIFTYhz      | SPECTral       | STOP           | TBITRDNeg       |



|                    |                      |                 |               |
|--------------------|----------------------|-----------------|---------------|
| TBITRDPos          | TOLERance            | TYPe            | VERTSCALE     |
| TBITVALue          | TOLerance            | TotalEfficiency | VERTical      |
| TCKAVG             | TOLevel              | True            | VERsion       |
| TCPHeader          | TONENRG              | U               | VGLeve1       |
| TDM                | TONLOSS              | UACK            | VIEW          |
| TDMVALue           | TOOTHGAP             | UI              | VIEWStyle     |
| TEKEXponential     | TOP                  | ULPS            | VIEWType      |
| TEKSecure          | TOSymbol             | UNDERLine       | VISIBility    |
| TEMPerature        | TOTAL                | UNDERline       | VISua1        |
| TENBASET           | TOTALEFFiciency      | UNDO            | VLEVELAbs     |
| TENNinety          | TOTALuptime          | UNEQual         | VLEVELPct     |
| TERMinal           | TOUCHSCREEN          | UNINSTALL       | VOLTAGE       |
| TERmination        | TRACK                | UNIQUE          | VOLTage       |
| TEST               | TRAILER              | UNITINTERVAL    | VOUT1SOURCE   |
| TESTCONNECTION     | TRANSFERbusownership | UNITIntervals   | VOUT2SOURCE   |
| TESTMODE           | TRANSITION           | UNITIntervals   | VOUT3SOURCE   |
| TESTmode           | TRANSITION           | UNITS           | VRMS          |
| TEST               | TRANstion            | UNIts           | VSOURCE       |
| TEXT               | TRAPezoid            | UNLock          | VSOURCE       |
| TF                 | TRAIler              | UNLocked        | VSYNCEnd      |
| THDF               | TRBit                | UNMOUNT         | VSYNcSTART    |
| THDR               | TRIAngle             | UNNumbered      | VTERM         |
| THIRD              | TRIGLeve1            | UNWRap          | VUNIT         |
| THREE              | TRIGger              | UP              | WAITTime      |
| THREEPHASEAUTOset  | TRIGgertosearch<!    | UPDatenow       | WAKEup        |
| THREESIXtyhz       | TRPWR                | UPPERFREQuency  | WAKEup        |
| THRESHo1d          | TRPWRSUM             | UPPer           | WAVEFORM      |
| THRESHo1d          | TRUEPWR              | UPPerthreshold  | WAVEVIEW1     |
| TICKTIME           | TRUe                 | USAGe           | WAVEview      |
| TICKTOLerance      | TRack                | USB             | WAVEview1t;x> |
| TICKS              | TTL                  | USB3            | WAVEview1t;y> |
| TIE                | TTLENRG              | USBDevice       | WAVEform      |
| TIEHISTOGRAM       | TTLLOSS              | USBTmc          | WAVEforms     |
| TIESPECTRUM        | TURN                 | USECLockedge    | WAVFrm        |
| TIETIMETREND       | TURNOfftime          | USECLockedge    | WEIGHT        |
| TIMECode           | TURNON               | USEGLOBAL       | WFid          |
| TIMEOUTSIDELEVEL   | TURNONTIME           | USEREIGHTB      | WFMOutpre     |
| TIMEOut            | TURNONtime           | UTCDELTA        | WFMTYPE       |
| TIMEStamp          | TWELVEtwelve         | V               | WHEn          |
| TIMETOMAX          | TWENTYBIT            | V1X             | WIDTH         |
| TIMETOMIN          | TWENTyeighty         | V2X             | WIDTHBER      |
| TIMETREND          | TWENTYfive           | VALUe           | WIDTh         |
| TIMINGMode         | TWO                  | VALidate        | WINDOW        |
| TIME               | TWOBIT               | VALUe           | WINDOWLEngth  |
| TJBER              | TWOCLOCKCYCLES       | VARpersist      | WINSCALE      |
| TNTRATIO           | TWOFifty             | VBars           | WINDow        |
| TO                 | TWOTHousand          | VCESat          | WIRing        |
| TOEDGESEARCHDIRECT | TX                   | VCFactor        | WIThin        |
| TOEdge             | TXRX                 | VDIFFXOVR       | WORD          |
| TOFFENRG           | TXRXTHRESHo1d        | VECTors         | WORDCOUNT     |
| TOFFLOSS           | TYPE                 | VERBose         | WORDSIZE      |
| TOKENPacket        | TYPE1                | VERTICES        | WORDSe1       |
| TOKENType          | TYPE2                | VERTPOS         | WORDSize      |



# Appendix C: Factory Defaults

## Default Setup

The following table lists the default values for each command.

**NOTE.** Find the most up-to-date default values for your instrument and software by performing a TekSecure command, saving the instrument setup and looking at the instrument or setup file.

Table C-1: Default Values

| Item                                    | Description  |
|-----------------------------------------|--------------|
| ACQUIRE:FASTACQ:PALETTE                 | TEMPERATURE  |
| ACQUIRE:FASTACQ:STATE                   | 0            |
| ACQUIRE:MAGNIVU                         | 0            |
| ACQUIRE:MODE                            | SAMPLE       |
| ACQUIRE:NUMAVG                          | 16           |
| ACQUIRE:NUMENV                          | INFINITE     |
| ACQUIRE:STATE                           | 1            |
| ACQUIRE:STOPAFTER                       | RUNSTOP      |
| ACTONEVENT:ACTION:AUXOUT:STATE          | 0            |
| ACTONEVENT:ACTION:EMAIL:SETUP:TOADDRESS | "TestString" |
| ACTONEVENT:ACTION:EMAIL:STATE           | 0            |
| ACTONEVENT:ACTION:PRINT:STATE           | 0            |
| ACTONEVENT:ACTION:SAVEIMAGE:STATE       | 0            |
| ACTONEVENT:ACTION:SAVEWFM:STATE         | 0            |
| ACTONEVENT:ACTION:SRQ:STATE             | 0            |
| ACTONEVENT:ACTION:STOPACQ:STATE         | 1            |
| ACTONEVENT:ACTION:VISUAL:STATE          | 0            |
| ACTONEVENT:EVENTTYPE                    | NONE         |
| ACTONEVENT:NUMACQS                      | 1            |
| ACTONEVENT:REPEATCOUNT                  | 1.0000       |
| AFG:AMPLITUDE                           | 500.0000E-3  |
| AFG:ARBITRARY:EMEM:POINTS:ENCDG         | ASCII        |
| AFG:FREQUENCY                           | 100.0E+3     |
| AFG:FUNCTION                            | SINE         |
| AFG:HIGLEVEL                            | 250.0000E-3  |
| AFG:LEVELPRESET                         | USER         |
| AFG:LOWLEVEL                            | -250.0000E-3 |

Table C-1: Default Values (cont.)

| Item                            | Description         |
|---------------------------------|---------------------|
| AFG:NOISEADD:PERCENT            | 0.0E+0              |
| AFG:NOISEADD:STATE              | 0                   |
| AFG:OFFSET                      | 0.0E+0              |
| AFG:OUTPUT:LOAD:IMPEDANCE       | HIGHZ               |
| AFG:PERIOD                      | 9.99999999999916E-6 |
| AFG:PHASE                       | 0.0E+0              |
| AFG:PULSE:WIDTH                 | 1.0E-6              |
| AFG:RAMP:SYMMETRY               | 50.0000             |
| AFG:SQUARE:DUTY                 | 50.0000             |
| ALIAS:STATE                     | 0                   |
| APPLICATION:TYPE                | POWER               |
| AUXOUT:EDGE                     | RISING              |
| AUXOUT:SOURCE                   | ATRIGGER            |
| BUS:B1:AUDIO:BITDELAY           | 1                   |
| BUS:B1:AUDIO:BITORDER           | MSB                 |
| BUS:B1:AUDIO:CHANNEL:SIZE       | 24                  |
| BUS:B1:AUDIO:CLOCK:POLARITY     | RISE                |
| BUS:B1:AUDIO:CLOCK:SOURCE       | CH1                 |
| BUS:B1:AUDIO:DATA:POLARITY      | NORMAL              |
| BUS:B1:AUDIO:DATA:SIZE          | 24                  |
| BUS:B1:AUDIO:DISPLAY:FORMAT     | SIGNEDDECIMAL       |
| BUS:B1:AUDIO:FRAME:SIZE         | 8                   |
| BUS:B1:AUDIO:FRAMESYNC:POLARITY | RISE                |
| BUS:B1:AUDIO:FRAMESYNC:SOURCE   | CH2                 |
| BUS:B1:AUDIO:TYPE               | I2S                 |
| BUS:B1:AUDIO:WORDSEL:POLARITY   | NORMAL              |
| BUS:B1:AUDIO:WORDSEL:SOURCE     | CH2                 |
| BUS:B1:CAN:BITRATE              | 500000              |
| BUS:B1:CAN:FD:BITRATE           | 4000000             |
| BUS:B1:CAN:FD:STANDARD          | ISO                 |
| BUS:B1:CAN:PROBE                | CANH                |
| BUS:B1:CAN:SAMPLEPOINT          | 50                  |
| BUS:B1:CAN:SOURCE               | CH1                 |
| BUS:B1:CAN:STANDARD             | CAN2X               |
| BUS:B1:DISPLAY:FORMAT           | HEXADECIMAL         |
| BUS:B1:DISPLAY:TYPE             | BUS                 |
| BUS:B1:FLEXRAY:BITRATE          | 10000000            |

Table C-1: Default Values (cont.)

| Item                                 | Description |
|--------------------------------------|-------------|
| BUS:B1:FLEXRAY:CHANNEL               | A           |
| BUS:B1:FLEXRAY:SIGNAL                | BDIFFBP     |
| BUS:B1:FLEXRAY:SOURCE                | CH1         |
| BUS:B1:I2C:ADDRESS:RWINCLUDE         | 0           |
| BUS:B1:I2C:CLOCK:SOURCE              | CH1         |
| BUS:B1:I2C:DATA:SOURCE               | CH2         |
| BUS:B1:LABEL                         | "Parallel"  |
| BUS:B1:LIN:BITRATE                   | 19200       |
| BUS:B1:LIN:IDFORMAT                  | NOPARITY    |
| BUS:B1:LIN:POLARITY                  | NORMAL      |
| BUS:B1:LIN:SAMPLEPOINT               | 50          |
| BUS:B1:LIN:SOURCE                    | CH1         |
| BUS:B1:LIN:STANDARD                  | V2X         |
| BUS:B1:MIL1553B:POLARITY             | NORMAL      |
| BUS:B1:MIL1553B:RESPONSETIME:MAXIMUM | 12.0000E-6  |
| BUS:B1:MIL1553B:RESPONSETIME:MINIMUM | 4.0000E-6   |
| BUS:B1:MIL1553B:SOURCE               | CH1         |
| BUS:B1:PARALLEL:BIT0:SOURCE          | D0          |
| BUS:B1:PARALLEL:BIT10:SOURCE         | D10         |
| BUS:B1:PARALLEL:BIT11:SOURCE         | D11         |
| BUS:B1:PARALLEL:BIT12:SOURCE         | D12         |
| BUS:B1:PARALLEL:BIT13:SOURCE         | D13         |
| BUS:B1:PARALLEL:BIT14:SOURCE         | D14         |
| BUS:B1:PARALLEL:BIT15:SOURCE         | D15         |
| BUS:B1:PARALLEL:BIT16:SOURCE         | CH1         |
| BUS:B1:PARALLEL:BIT17:SOURCE         | CH2         |
| BUS:B1:PARALLEL:BIT18:SOURCE         | CH3         |
| BUS:B1:PARALLEL:BIT19:SOURCE         | CH4         |
| BUS:B1:PARALLEL:BIT1:SOURCE          | D1          |
| BUS:B1:PARALLEL:BIT2:SOURCE          | D2          |
| BUS:B1:PARALLEL:BIT3:SOURCE          | D3          |
| BUS:B1:PARALLEL:BIT4:SOURCE          | D4          |
| BUS:B1:PARALLEL:BIT5:SOURCE          | D5          |
| BUS:B1:PARALLEL:BIT6:SOURCE          | D6          |
| BUS:B1:PARALLEL:BIT7:SOURCE          | D7          |
| BUS:B1:PARALLEL:BIT8:SOURCE          | D8          |
| BUS:B1:PARALLEL:BIT9:SOURCE          | D9          |

Table C-1: Default Values (cont.)

| Item                            | Description  |
|---------------------------------|--------------|
| BUS:B1:PARALLEL:CLOCK:EDGE      | RISING       |
| BUS:B1:PARALLEL:CLOCK:ISCLOCKED | NO           |
| BUS:B1:PARALLEL:CLOCK:SOURCE    | CH1          |
| BUS:B1:PARALLEL:WIDTH           | 16           |
| BUS:B1:POSITION                 | 0.0E+0       |
| BUS:B1:RS232C:BITRATE           | 9600         |
| BUS:B1:RS232C:DATABITS          | 8            |
| BUS:B1:RS232C:DELIMITER         | LF           |
| BUS:B1:RS232C:DISPLAYMODE       | FRAME        |
| BUS:B1:RS232C:PARITY            | NONE         |
| BUS:B1:RS232C:POLARITY          | NORMAL       |
| BUS:B1:RS232C:RX:SOURCE         | OFF          |
| BUS:B1:RS232C:TX:SOURCE         | CH1          |
| BUS:B1:SPI:BITORDER             | MSB          |
| BUS:B1:SPI:CLOCK:POLARITY       | RISE         |
| BUS:B1:SPI:CLOCK:SOURCE         | CH1          |
| BUS:B1:SPI:DATA:IN:POLARITY     | HIGH         |
| BUS:B1:SPI:DATA:IN:SOURCE       | OFF          |
| BUS:B1:SPI:DATA:OUT:POLARITY    | HIGH         |
| BUS:B1:SPI:DATA:OUT:SOURCE      | CH3          |
| BUS:B1:SPI:DATA:SIZE            | 8            |
| BUS:B1:SPI:FRAMING              | SS           |
| BUS:B1:SPI:IDLETIME             | 5.0000E-6    |
| BUS:B1:SPI:SELECT:POLARITY      | LOW          |
| BUS:B1:SPI:SELECT:SOURCE        | CH2          |
| BUS:B1:STATE                    | 0            |
| BUS:B1:TYPE                     | PARALLEL     |
| BUS:B1:USB:BITRATE              | FULL         |
| BUS:B1:USB:PROBE                | DIFFERENTIAL |
| BUS:B1:USB:SOURCE:DIFFERENTIAL  | CH1          |
| BUS:B1:USB:SOURCE:DMINUS        | CH2          |
| BUS:B1:USB:SOURCE:DPLUS         | CH1          |
| BUS:B2:AUDIO:BITDELAY           | 1            |
| BUS:B2:AUDIO:BITORDER           | MSB          |
| BUS:B2:AUDIO:CHANNEL:SIZE       | 24           |
| BUS:B2:AUDIO:CLOCK:POLARITY     | RISE         |
| BUS:B2:AUDIO:CLOCK:SOURCE       | CH1          |

Table C-1: Default Values (cont.)

| Item                                 | Description   |
|--------------------------------------|---------------|
| BUS:B2:AUDIO:DATA:POLARITY           | NORMAL        |
| BUS:B2:AUDIO:DATA:SIZE               | 24            |
| BUS:B2:AUDIO:DISPLAY:FORMAT          | SIGNEDDECIMAL |
| BUS:B2:AUDIO:FRAME:SIZE              | 8             |
| BUS:B2:AUDIO:FRAMESYNC:POLARITY      | RISE          |
| BUS:B2:AUDIO:FRAMESYNC:SOURCE        | CH2           |
| BUS:B2:AUDIO:TYPE                    | I2S           |
| BUS:B2:AUDIO:WORDSEL:POLARITY        | NORMAL        |
| BUS:B2:AUDIO:WORDSEL:SOURCE          | CH2           |
| BUS:B2:CAN:BITRATE                   | 500000        |
| BUS:B2:CAN:FD:BITRATE                | 4000000       |
| BUS:B2:CAN:FD:STANDARD               | ISO           |
| BUS:B2:CAN:PROBE                     | CANH          |
| BUS:B2:CAN:SAMPLEPOINT               | 50            |
| BUS:B2:CAN:SOURCE                    | CH1           |
| BUS:B2:CAN:STANDARD                  | CAN2X         |
| BUS:B2:DISPLAY:FORMAT                | HEXADECIMAL   |
| BUS:B2:DISPLAY:TYPE                  | BUS           |
| BUS:B2:FLEXRAY:BITRATE               | 10000000      |
| BUS:B2:FLEXRAY:CHANNEL               | A             |
| BUS:B2:FLEXRAY:SIGNAL                | BDIFFBP       |
| BUS:B2:FLEXRAY:SOURCE                | CH1           |
| BUS:B2:I2C:ADDRESS:RWINCLUDE         | 0             |
| BUS:B2:I2C:CLOCK:SOURCE              | CH1           |
| BUS:B2:I2C:DATA:SOURCE               | CH2           |
| BUS:B2:LABEL                         | "Parallel"    |
| BUS:B2:LIN:BITRATE                   | 19200         |
| BUS:B2:LIN:IDFORMAT                  | NOPARITY      |
| BUS:B2:LIN:POLARITY                  | NORMAL        |
| BUS:B2:LIN:SAMPLEPOINT               | 50            |
| BUS:B2:LIN:SOURCE                    | CH1           |
| BUS:B2:LIN:STANDARD                  | V2X           |
| BUS:B2:MIL1553B:POLARITY             | NORMAL        |
| BUS:B2:MIL1553B:RESPONSETIME:MAXIMUM | 12.0000E-6    |
| BUS:B2:MIL1553B:RESPONSETIME:MINIMUM | 4.0000E-6     |
| BUS:B2:MIL1553B:SOURCE               | CH1           |
| BUS:B2:PARALLEL:BIT0:SOURCE          | D0            |

Table C-1: Default Values (cont.)

| Item                            | Description |
|---------------------------------|-------------|
| BUS:B2:PARALLEL:BIT10:SOURCE    | D10         |
| BUS:B2:PARALLEL:BIT11:SOURCE    | D11         |
| BUS:B2:PARALLEL:BIT12:SOURCE    | D12         |
| BUS:B2:PARALLEL:BIT13:SOURCE    | D13         |
| BUS:B2:PARALLEL:BIT14:SOURCE    | D14         |
| BUS:B2:PARALLEL:BIT15:SOURCE    | D15         |
| BUS:B2:PARALLEL:BIT16:SOURCE    | CH1         |
| BUS:B2:PARALLEL:BIT17:SOURCE    | CH2         |
| BUS:B2:PARALLEL:BIT18:SOURCE    | CH3         |
| BUS:B2:PARALLEL:BIT19:SOURCE    | CH4         |
| BUS:B2:PARALLEL:BIT1:SOURCE     | D1          |
| BUS:B2:PARALLEL:BIT2:SOURCE     | D2          |
| BUS:B2:PARALLEL:BIT3:SOURCE     | D3          |
| BUS:B2:PARALLEL:BIT4:SOURCE     | D4          |
| BUS:B2:PARALLEL:BIT5:SOURCE     | D5          |
| BUS:B2:PARALLEL:BIT6:SOURCE     | D6          |
| BUS:B2:PARALLEL:BIT7:SOURCE     | D7          |
| BUS:B2:PARALLEL:BIT8:SOURCE     | D8          |
| BUS:B2:PARALLEL:BIT9:SOURCE     | D9          |
| BUS:B2:PARALLEL:CLOCK:EDGE      | RISING      |
| BUS:B2:PARALLEL:CLOCK:ISCLOCKED | NO          |
| BUS:B2:PARALLEL:CLOCK:SOURCE    | CH1         |
| BUS:B2:PARALLEL:WIDTH           | 16          |
| BUS:B2:POSITION                 | 0.0E+0      |
| BUS:B2:RS232C:BITRATE           | 9600        |
| BUS:B2:RS232C:DATABITS          | 8           |
| BUS:B2:RS232C:DELIMITER         | LF          |
| BUS:B2:RS232C:DISPLAYMODE       | FRAME       |
| BUS:B2:RS232C:PARITY            | NONE        |
| BUS:B2:RS232C:POLARITY          | NORMAL      |
| BUS:B2:RS232C:RX:SOURCE         | OFF         |
| BUS:B2:RS232C:TX:SOURCE         | CH1         |
| BUS:B2:SPI:BITORDER             | MSB         |
| BUS:B2:SPI:CLOCK:POLARITY       | RISE        |
| BUS:B2:SPI:CLOCK:SOURCE         | CH1         |
| BUS:B2:SPI:DATA:IN:POLARITY     | HIGH        |
| BUS:B2:SPI:DATA:IN:SOURCE       | OFF         |



Table C-1: Default Values (cont.)

| Item                           | Description  |
|--------------------------------|--------------|
| BUS:B2:SPI:DATA:OUT:POLARITY   | HIGH         |
| BUS:B2:SPI:DATA:OUT:SOURCE     | CH3          |
| BUS:B2:SPI:DATA:SIZE           | 8            |
| BUS:B2:SPI:FRAMING             | SS           |
| BUS:B2:SPI:IDLETIME            | 5.0000E-6    |
| BUS:B2:SPI:SELECT:POLARITY     | LOW          |
| BUS:B2:SPI:SELECT:SOURCE       | CH2          |
| BUS:B2:STATE                   | 0            |
| BUS:B2:TYPE                    | PARALLEL     |
| BUS:B2:USB:BITRATE             | FULL         |
| BUS:B2:USB:PROBE               | DIFFERENTIAL |
| BUS:B2:USB:SOURCE:DIFFERENTIAL | CH1          |
| BUS:B2:USB:SOURCE:DMINUS       | CH2          |
| BUS:B2:USB:SOURCE:DPLUS        | CH1          |
| BUS:LOWERTHRESHOLD:CH1         | 0.0E+0       |
| BUS:LOWERTHRESHOLD:CH2         | 0.0E+0       |
| BUS:LOWERTHRESHOLD:CH3         | 0.0E+0       |
| BUS:LOWERTHRESHOLD:CH4         | 0.0E+0       |
| BUS:LOWERTHRESHOLD:MATH        | 0.0E+0       |
| BUS:LOWERTHRESHOLD:REF1        | 0.0E+0       |
| BUS:LOWERTHRESHOLD:REF2        | 0.0E+0       |
| BUS:LOWERTHRESHOLD:REF3        | 0.0E+0       |
| BUS:LOWERTHRESHOLD:REF4        | 0.0E+0       |
| BUS:UPPERTHRESHOLD:CH1         | 800.0000E-3  |
| BUS:UPPERTHRESHOLD:CH2         | 800.0000E-3  |
| BUS:UPPERTHRESHOLD:CH3         | 800.0000E-3  |
| BUS:UPPERTHRESHOLD:CH4         | 800.0000E-3  |
| BUS:UPPERTHRESHOLD:MATH        | 0.0E+0       |
| BUS:UPPERTHRESHOLD:REF1        | 0.0E+0       |
| BUS:UPPERTHRESHOLD:REF2        | 0.0E+0       |
| BUS:UPPERTHRESHOLD:REF3        | 0.0E+0       |
| BUS:UPPERTHRESHOLD:REF4        | 0.0E+0       |
| CH1:AMPSVIAVOLTS:ENABLE        | 0            |
| CH1:AMPSVIAVOLTS:FACTOR        | 10.0000      |
| CH1:BANDWIDTH                  | 1.0000E+9    |
| CH1:COUPLING                   | DC           |
| CH1:DESKEW                     | 0.0E+0       |

Table C-1: Default Values (cont.)

| Item                    | Description |
|-------------------------|-------------|
| CH1:INVERT              | 0           |
| CH1:LABEL               | ""          |
| CH1:OFFSET              | 0.0E+0      |
| CH1:POSITION            | 0.0E+0      |
| CH1:PROBE:FORCEDRANGE   | 0.0E+0      |
| CH1:PROBE:GAIN          | 1.0000      |
| CH1:PROBE:PROPDELAY     | 0.0E+0      |
| CH1:SCALE               | 100.0000E-3 |
| CH1:TERMINATION         | 1.0000E+6   |
| CH1:YUNITS              | "V"         |
| CH2:AMPSVIAVOLTS:ENABLE | 0           |
| CH2:AMPSVIAVOLTS:FACTOR | 10.0000     |
| CH2:BANDWIDTH           | 1.0000E+9   |
| CH2:COUPLING            | DC          |
| CH2:DESKEW              | 0.0E+0      |
| CH2:INVERT              | 0           |
| CH2:LABEL               | ""          |
| CH2:OFFSET              | 0.0E+0      |
| CH2:POSITION            | 0.0E+0      |
| CH2:PROBE:FORCEDRANGE   | 0.0E+0      |
| CH2:PROBE:GAIN          | 1.0000      |
| CH2:PROBE:PROPDELAY     | 0.0E+0      |
| CH2:SCALE               | 100.0000E-3 |
| CH2:TERMINATION         | 1.0000E+6   |
| CH2:YUNITS              | "V"         |
| CH3:AMPSVIAVOLTS:ENABLE | 0           |
| CH3:AMPSVIAVOLTS:FACTOR | 10.0000     |
| CH3:BANDWIDTH           | 1.0000E+9   |
| CH3:COUPLING            | DC          |
| CH3:DESKEW              | 0.0E+0      |
| CH3:INVERT              | 0           |
| CH3:LABEL               | ""          |
| CH3:OFFSET              | 0.0E+0      |
| CH3:POSITION            | 0.0E+0      |
| CH3:PROBE:FORCEDRANGE   | 0.0E+0      |
| CH3:PROBE:GAIN          | 1.0000      |
| CH3:PROBE:PROPDELAY     | 0.0E+0      |

Table C-1: Default Values (cont.)

| Item                              | Description |
|-----------------------------------|-------------|
| CH3:SCALE                         | 100.0000E-3 |
| CH3:TERMINATION                   | 1.0000E+6   |
| CH3:YUNITS                        | "V"         |
| CH4:AMPSVIAVOLTS:ENABLE           | 0           |
| CH4:AMPSVIAVOLTS:FACTOR           | 10.0000     |
| CH4:BANDWIDTH                     | 1.0000E+9   |
| CH4:COUPLING                      | DC          |
| CH4:DESKEW                        | 0.0E+0      |
| CH4:INVERT                        | 0           |
| CH4:LABEL                         | ""          |
| CH4:OFFSET                        | 0.0E+0      |
| CH4:POSITION                      | 0.0E+0      |
| CH4:PROBE:FORCEDRANGE             | 0.0E+0      |
| CH4:PROBE:GAIN                    | 1.0000      |
| CH4:PROBE:PROPDELAY               | 0.0E+0      |
| CH4:SCALE                         | 100.0000E-3 |
| CH4:TERMINATION                   | 1.0000E+6   |
| CH4:YUNITS                        | "V"         |
| CURSOR:FUNCTION                   | OFF         |
| CURSOR:HBARS:POSITION1            | 0.0E+0      |
| CURSOR:HBARS:POSITION2            | 0.0E+0      |
| CURSOR:HBARS:UNITS                | BASE        |
| CURSOR:MODE                       | INDEPENDENT |
| CURSOR:SOURCE                     | AUTO        |
| CURSOR:VBARS:POSITION1            | -12.00E-6   |
| CURSOR:VBARS:POSITION2            | 12.00E-6    |
| CURSOR:VBARS:UNITS                | SECONDS     |
| CURSOR:XY:READOUT                 | RECTANGULAR |
| CURSOR:XY:RECTANGULAR:X:POSITION1 | 0.0E+0      |
| CURSOR:XY:RECTANGULAR:X:POSITION2 | 0.0E+0      |
| CURSOR:XY:RECTANGULAR:Y:POSITION1 | 0.0E+0      |
| CURSOR:XY:RECTANGULAR:Y:POSITION2 | 0.0E+0      |
| D0:LABEL                          | ""          |
| D0:POSITION                       | 80.0000E-3  |
| D0:THRESHOLD                      | 1.4000      |
| D10:LABEL                         | ""          |
| D10:POSITION                      | 80.0000E-3  |

Table C-1: Default Values (cont.)

| Item          | Description |
|---------------|-------------|
| D10:THRESHOLD | 1.4000      |
| D11:LABEL     | ""          |
| D11:POSITION  | 80.0000E-3  |
| D11:THRESHOLD | 1.4000      |
| D12:LABEL     | ""          |
| D12:POSITION  | 80.0000E-3  |
| D12:THRESHOLD | 1.4000      |
| D13:LABEL     | ""          |
| D13:POSITION  | 80.0000E-3  |
| D13:THRESHOLD | 1.4000      |
| D14:LABEL     | ""          |
| D14:POSITION  | 80.0000E-3  |
| D14:THRESHOLD | 1.4000      |
| D15:LABEL     | ""          |
| D15:POSITION  | 80.0000E-3  |
| D15:THRESHOLD | 1.4000      |
| D1:LABEL      | ""          |
| D1:POSITION   | 80.0000E-3  |
| D1:THRESHOLD  | 1.4000      |
| D2:LABEL      | ""          |
| D2:POSITION   | 80.0000E-3  |
| D2:THRESHOLD  | 1.4000      |
| D3:LABEL      | ""          |
| D3:POSITION   | 80.0000E-3  |
| D3:THRESHOLD  | 1.4000      |
| D4:LABEL      | ""          |
| D4:POSITION   | 80.0000E-3  |
| D4:THRESHOLD  | 1.4000      |
| D5:LABEL      | ""          |
| D5:POSITION   | 80.0000E-3  |
| D5:THRESHOLD  | 1.4000      |
| D6:LABEL      | ""          |
| D6:POSITION   | 80.0000E-3  |
| D6:THRESHOLD  | 1.4000      |
| D7:LABEL      | ""          |
| D7:POSITION   | 80.0000E-3  |
| D7:THRESHOLD  | 1.4000      |

Table C-1: Default Values (cont.)

| Item                                       | Description  |
|--------------------------------------------|--------------|
| D8:LABEL                                   | ""           |
| D8:POSITION                                | 80.0000E-3   |
| D8:THRESHOLD                               | 1.4000       |
| D9:LABEL                                   | ""           |
| D9:POSITION                                | 80.0000E-3   |
| D9:THRESHOLD                               | 1.4000       |
| DATA:DESTINATION                           | REF1         |
| DATA:ENCDG                                 | RIBINARY     |
| DATA:SOURCE                                | CH1          |
| DATA:START                                 | 1            |
| DATA:STOP                                  | 10000        |
| DESKEW:DISPLAY                             | 1            |
| DISPLAY:CLOCK                              | 1            |
| DISPLAY:DIGITAL:ACTIVITY                   | 0            |
| DISPLAY:DIGITAL:HEIGHT                     | MEDIUM       |
| DISPLAY:GRATICULE                          | FULL         |
| DISPLAY:INTENSITY:BACKLIGHT                | HIGH         |
| DISPLAY:INTENSITY:BACKLIGHT:AUTODIM:ENABLE | 1            |
| DISPLAY:INTENSITY:BACKLIGHT:AUTODIM:TIME   | 60           |
| DISPLAY:INTENSITY:GRATICULE                | 75           |
| DISPLAY:INTENSITY:WAVEFORM                 | 35           |
| DISPLAY:PERSISTENCE                        | 0.0E+0       |
| DISPLAY:STYLE:DOTSONLY                     | 0            |
| DISPLAY:TRIGFREQUENCY                      | 0            |
| DISPLAY:XY                                 | OFF          |
| DISPLAY:XY:WITHYT                          | 0            |
| DVM:AUTORANGE                              | 0            |
| DVM:DISPLAYSTYLE                           | FULL         |
| DVM:MODE                                   | OFF          |
| DVM:SOURCE                                 | CH1          |
| EMAIL:SETUP:FROMADDRESS                    | "TestString" |
| EMAIL:SETUP:HOSTALIASNAME                  | "TestString" |
| EMAIL:SETUP:SMTPLGIN                       | "TestString" |
| EMAIL:SETUP:SMTPPORT                       | 25           |
| EMAIL:SETUP:SMTPSERVER                     | "TestString" |
| FASTACQ:STATE                              | 0            |
| HEADER                                     | 0            |

Table C-1: Default Values (cont.)

| Item                              | Description                     |
|-----------------------------------|---------------------------------|
| HISTOGRAM:BOXPCNT                 | 20.0000,20.0000,80.0000,80.0000 |
| HISTOGRAM:DISPLAY                 | LINEAR                          |
| HISTOGRAM:MODE                    | OFF                             |
| HISTOGRAM:SOURCE                  | CH1                             |
| HORIZONTAL:DELAY:MODE             | 1                               |
| HORIZONTAL:DELAY:TIME             | 0.0E+0                          |
| HORIZONTAL:POSITION               | 50.0000                         |
| HORIZONTAL:RECORDLENGTH           | 10000                           |
|                                   | 4.0000E-6                       |
| LOCK                              | NONE                            |
| MARKER:M1:FREQUENCY:ABSOLUTE      | 0.0E+0                          |
| MARKER:M2:FREQUENCY:ABSOLUTE      | 0.0E+0                          |
| MARKER:MANUAL                     | 0                               |
| MARKER:PEAK:EXCURSION             | 30.0000                         |
| MARKER:PEAK:MAXIMUM               | 5                               |
| MARKER:PEAK:STATE                 | 1                               |
| MARKER:PEAK:THRESHOLD             | -50.0000                        |
| MARKER:TYPE                       | ABSOLUTE                        |
| MATH:AUTOSCALE                    | 1                               |
| MATH:DEFINE                       | "CH1+CH2"                       |
| MATH:HORIZONTAL:POSITION          | 50.0000                         |
| MATH:                             | 4.0000E-6                       |
| MATH:HORIZONTAL:UNITS             | "s"                             |
| MATH:LABEL                        | ""                              |
| MATH:SPECTRAL:MAG                 | DB                              |
| MATH:SPECTRAL:WINDOW              | HANNING                         |
| MATH:TYPE                         | DUAL                            |
| MATH:VERTICAL:POSITION            | 0.0E+0                          |
| MATH:VERTICAL:SCALE               | 100.0000E-3                     |
| MATH:VERTICAL:UNITS               | "V"                             |
| MATHVAR:VAR1                      | 0.0E+0                          |
| MATHVAR:VAR2                      | 0.0E+0                          |
| MEASUREMENT:GATING                | SCREEN                          |
| MEASUREMENT:IMMED:DELAY:DIRECTION | FORWARDS                        |
| MEASUREMENT:IMMED:DELAY:EDGE1     | RISE                            |
| MEASUREMENT:IMMED:DELAY:EDGE2     | RISE                            |
| MEASUREMENT:IMMED:SOURCE1         | CH1                             |

Table C-1: Default Values (cont.)

| Item                               | Description |
|------------------------------------|-------------|
| MEASUREMENT:IMMED:SOURCE2          | CH2         |
| MEASUREMENT:IMMED:TYPE             | PERIOD      |
| MEASUREMENT:INDICATORS:STATE       | OFF         |
| MEASUREMENT:MEAS1:DELAY:DIRECTION  | FORWARDS    |
| MEASUREMENT:MEAS1:DELAY:EDGE1      | RISE        |
| MEASUREMENT:MEAS1:DELAY:EDGE2      | RISE        |
| MEASUREMENT:MEAS1:SOURCE1          | CH1         |
| MEASUREMENT:MEAS1:SOURCE2          | CH2         |
| MEASUREMENT:MEAS1:STATE            | 0           |
| MEASUREMENT:MEAS1:TYPE             | PERIOD      |
| MEASUREMENT:MEAS2:DELAY:DIRECTION  | FORWARDS    |
| MEASUREMENT:MEAS2:DELAY:EDGE1      | RISE        |
| MEASUREMENT:MEAS2:DELAY:EDGE2      | RISE        |
| MEASUREMENT:MEAS2:SOURCE1          | CH1         |
| MEASUREMENT:MEAS2:SOURCE2          | CH2         |
| MEASUREMENT:MEAS2:STATE            | 0           |
| MEASUREMENT:MEAS2:TYPE             | PERIOD      |
| MEASUREMENT:MEAS3:DELAY:DIRECTION  | FORWARDS    |
| MEASUREMENT:MEAS3:DELAY:EDGE1      | RISE        |
| MEASUREMENT:MEAS3:DELAY:EDGE2      | RISE        |
| MEASUREMENT:MEAS3:SOURCE1          | CH1         |
| MEASUREMENT:MEAS3:SOURCE2          | CH2         |
| MEASUREMENT:MEAS3:STATE            | 0           |
| MEASUREMENT:MEAS3:TYPE             | PERIOD      |
| MEASUREMENT:MEAS4:DELAY:DIRECTION  | FORWARDS    |
| MEASUREMENT:MEAS4:DELAY:EDGE1      | RISE        |
| MEASUREMENT:MEAS4:DELAY:EDGE2      | RISE        |
| MEASUREMENT:MEAS4:SOURCE1          | CH1         |
| MEASUREMENT:MEAS4:SOURCE2          | CH2         |
| MEASUREMENT:MEAS4:STATE            | 0           |
| MEASUREMENT:MEAS4:TYPE             | PERIOD      |
| MEASUREMENT:METHOD                 | AUTO        |
| MEASUREMENT:REFLEVEL:ABSOLUTE:HIGH | 0.0E+0      |
| MEASUREMENT:REFLEVEL:ABSOLUTE:LOW  | 0.0E+0      |
| MEASUREMENT:REFLEVEL:ABSOLUTE:MID1 | 0.0E+0      |
| MEASUREMENT:REFLEVEL:ABSOLUTE:MID2 | 0.0E+0      |
| MEASUREMENT:REFLEVEL:METHOD        | PERCENT     |

Table C-1: Default Values (cont.)

| Item                              | Description   |
|-----------------------------------|---------------|
| MEASUREMENT:REFLEVEL:PERCENT:HIGH | 90.0000       |
| MEASUREMENT:REFLEVEL:PERCENT:LOW  | 10.0000       |
| MEASUREMENT:REFLEVEL:PERCENT:MID1 | 50.0000       |
| MEASUREMENT:REFLEVEL:PERCENT:MID2 | 50.0000       |
| MEASUREMENT:STATISTICS:MODE       | ALL           |
| MEASUREMENT:STATISTICS:WEIGHTING  | 32            |
| MESSAGE:BOX                       | 167,67,167,83 |
| MESSAGE:SHOW                      | ""            |
| MESSAGE:STATE                     | 0             |
| PICTBRIDGE:DATEPRINT              | DEFLT         |
| PICTBRIDGE:IDPRINT                | OFF           |
| PICTBRIDGE:IMAGESIZE              | DEFLT         |
| PICTBRIDGE:PAPERSIZE              | DEFLT         |
| PICTBRIDGE:PAPERTYPE              | DEFLT         |
| PICTBRIDGE:PRINTQUAL              | DEFLT         |
| REF1:HORIZONTAL:DELAY:TIME        | 16.0000E-6    |
| REF1:                             | 4.0000E-6     |
| REF1:VERTICAL:POSITION            | 0.0E+0        |
| REF1:VERTICAL:SCALE               | 100.0000E-3   |
| REF2:HORIZONTAL:DELAY:TIME        | 16.0000E-6    |
| REF2:                             | 4.0000E-6     |
| REF2:VERTICAL:POSITION            | 0.0E+0        |
| REF2:VERTICAL:SCALE               | 100.0000E-3   |
| REF3:HORIZONTAL:DELAY:TIME        | 16.0000E-6    |
| REF3:                             | 4.0000E-6     |
| REF3:VERTICAL:POSITION            | 0.0E+0        |
| REF3:VERTICAL:SCALE               | 100.0000E-3   |
| REF4:HORIZONTAL:DELAY:TIME        | 16.0000E-6    |
| REF4:                             | 4.0000E-6     |
| REF4:VERTICAL:POSITION            | 0.0E+0        |
| REF4:VERTICAL:SCALE               | 100.0000E-3   |
| ROSC:SOURCE                       | INTERNAL      |
| SAVE:ASSIGN:TYPE                  | WAVEFORM      |
| SAVE:IMAGE:FILEFORMAT             | PNG           |
| SAVE:IMAGE:INKSAVER               | 1             |
| SAVE:IMAGE:LAYOUT                 | PORTRAIT      |
| SAVE:WAVEFORM                     | WFM           |



Table C-1: Default Values (cont.)

| Item                                                         | Description                  |
|--------------------------------------------------------------|------------------------------|
| SAVE:WAVEFORM:GATING                                         | NONE                         |
| SEARCH:SEARCH1:STATE                                         | 0                            |
| SEARCH:SEARCH1:TRIGGER:A:BUS:B1:AUDIO:CONDITION              | SOF                          |
| SEARCH:SEARCH1:TRIGGER:A:BUS:B1:AUDIO:DATA:HIVALUE           | "XXXXXXXXXXXXXXXXXXXXXXXXXX" |
| SEARCH:SEARCH1:TRIGGER:A:BUS:B1:AUDIO:DATA:OFFSET            | 0                            |
| SEARCH:SEARCH1:TRIGGER:A:BUS:B1:AUDIO:DATA:QUALIFIER         | EQUAL                        |
| SEARCH:SEARCH1:TRIGGER:A:BUS:B1:AUDIO:DATA:VALUE             | "XXXXXXXXXXXXXXXXXXXXXXXXXX" |
| SEARCH:SEARCH1:TRIGGER:A:BUS:B1:AUDIO:DATA:WORD              | EITHER                       |
| SEARCH:SEARCH1:TRIGGER:A:BUS:B1:CAN:CONDITION                | SOF                          |
| SEARCH:SEARCH1:TRIGGER:A:BUS:B1:CAN:DATA:DIRECTION           | NOCARE                       |
| SEARCH:SEARCH1:TRIGGER:A:BUS:B1:CAN:DATA:OFFSET              | 0                            |
| SEARCH:SEARCH1:TRIGGER:A:BUS:B1:CAN:DATA:QUALIFIER           | EQUAL                        |
| SEARCH:SEARCH1:TRIGGER:A:BUS:B1:CAN:DATA:SIZE                | 1                            |
| SEARCH:SEARCH1:TRIGGER:A:BUS:B1:CAN:DATA:VALUE               | "XXXXXXXX"                   |
| SEARCH:SEARCH1:TRIGGER:A:BUS:B1:CAN:FD:BRSBIT                | X                            |
| SEARCH:SEARCH1:TRIGGER:A:BUS:B1:CAN:FD:ESIBIT                | X                            |
| SEARCH:SEARCH1:TRIGGER:A:BUS:B1:CAN:FRAMETYPE                | DATA                         |
| SEARCH:SEARCH1:TRIGGER:A:BUS:B1:CAN:IDENTIFIER:MODE          | STANDARD                     |
| SEARCH:SEARCH1:TRIGGER:A:BUS:B1:CAN:IDENTIFIER:VALUE         | "XXXXXXXXXX"                 |
| SEARCH:SEARCH1:TRIGGER:A:BUS:B1:FLEXRAY:CONDITION            | SOF                          |
| SEARCH:SEARCH1:TRIGGER:A:BUS:B1:FLEXRAY:CYCLECOUNT:HIVALUE   | "XXXXXX"                     |
| SEARCH:SEARCH1:TRIGGER:A:BUS:B1:FLEXRAY:CYCLECOUNT:QUALIFIER | EQUAL                        |
| SEARCH:SEARCH1:TRIGGER:A:BUS:B1:FLEXRAY:CYCLECOUNT:VALUE     | "XXXXXX"                     |
| SEARCH:SEARCH1:TRIGGER:A:BUS:B1:FLEXRAY:DATA:HIVALUE         | "XXXXXXXX"                   |
| SEARCH:SEARCH1:TRIGGER:A:BUS:B1:FLEXRAY:DATA:OFFSET          | -1                           |
| SEARCH:SEARCH1:TRIGGER:A:BUS:B1:FLEXRAY:DATA:QUALIFIER       | EQUAL                        |
| SEARCH:SEARCH1:TRIGGER:A:BUS:B1:FLEXRAY:DATA:SIZE            | 1                            |
| SEARCH:SEARCH1:TRIGGER:A:BUS:B1:FLEXRAY:DATA:VALUE           | "XXXXXXXX"                   |
| SEARCH:SEARCH1:TRIGGER:A:BUS:B1:FLEXRAY:EOFTYPE              | STATIC                       |
| SEARCH:SEARCH1:TRIGGER:A:BUS:B1:FLEXRAY:ERRTYPE              | CRCHEADER                    |
| SEARCH:SEARCH1:TRIGGER:A:BUS:B1:FLEXRAY:FRAMEID:HIVALUE      | "XXXXXXXXXX"                 |
| SEARCH:SEARCH1:TRIGGER:A:BUS:B1:FLEXRAY:FRAMEID:QUALIFIER    | EQUAL                        |
| SEARCH:SEARCH1:TRIGGER:A:BUS:B1:FLEXRAY:FRAMEID:VALUE        | "XXXXXXXXXX"                 |
| SEARCH:SEARCH1:TRIGGER:A:BUS:B1:FLEXRAY:FRAMETYPE            | NORMAL                       |
| SEARCH:SEARCH1:TRIGGER:A:BUS:B1:FLEXRAY:HEADER:CRC           | "XXXXXXXXXX"                 |
| SEARCH:SEARCH1:TRIGGER:A:BUS:B1:FLEXRAY:HEADER:CYCLECOUNT    | "XXXXXX"                     |
| SEARCH:SEARCH1:TRIGGER:A:BUS:B1:FLEXRAY:HEADER:FRAMEID       | "XXXXXXXXXX"                 |

Table C-1: Default Values (cont.)

| Item                                                               | Description            |
|--------------------------------------------------------------------|------------------------|
| SEARCH:SEARCH1:TRIGGER:A:BUS:B1:FLEXRAY:HEADER:INDBITS             | "XXXXX"                |
| SEARCH:SEARCH1:TRIGGER:A:BUS:B1:FLEXRAY:HEADER:PAYLENGTH           | "XXXXXXXX"             |
| SEARCH:SEARCH1:TRIGGER:A:BUS:B1:I2C:ADDRESS:MODE                   | ADDR7                  |
| SEARCH:SEARCH1:TRIGGER:A:BUS:B1:I2C:ADDRESS:TYPE                   | USER                   |
| SEARCH:SEARCH1:TRIGGER:A:BUS:B1:I2C:ADDRESS:VALUE                  | "XXXXXXXX"             |
| SEARCH:SEARCH1:TRIGGER:A:BUS:B1:I2C:CONDITION                      | START                  |
| SEARCH:SEARCH1:TRIGGER:A:BUS:B1:I2C:DATA:DIRECTION                 | NO CARE                |
| SEARCH:SEARCH1:TRIGGER:A:BUS:B1:I2C:DATA:SIZE                      | 1                      |
| SEARCH:SEARCH1:TRIGGER:A:BUS:B1:I2C:DATA:VALUE                     | "XXXXXXXXX"            |
| SEARCH:SEARCH1:TRIGGER:A:BUS:B1:LIN:CONDITION                      | SYNCFIELD              |
| SEARCH:SEARCH1:TRIGGER:A:BUS:B1:LIN:DATA:HIVALUE                   | "XXXXXXXXX"            |
| SEARCH:SEARCH1:TRIGGER:A:BUS:B1:LIN:DATA:QUALIFIER                 | EQUAL                  |
| SEARCH:SEARCH1:TRIGGER:A:BUS:B1:LIN:DATA:SIZE                      | 1                      |
| SEARCH:SEARCH1:TRIGGER:A:BUS:B1:LIN:DATA:VALUE                     | "XXXXXXXXX"            |
| SEARCH:SEARCH1:TRIGGER:A:BUS:B1:LIN:ERRTYPE                        | SYNC                   |
| SEARCH:SEARCH1:TRIGGER:A:BUS:B1:LIN:IDENTIFIER:VALUE               | "XXXXXX"               |
| SEARCH:SEARCH1:TRIGGER:A:BUS:B1:MIL1553B:COMMAND:ADDRESS:HIVALUE   | "XXXXX"                |
| SEARCH:SEARCH1:TRIGGER:A:BUS:B1:MIL1553B:COMMAND:ADDRESS:QUALIFIER | EQUAL                  |
| SEARCH:SEARCH1:TRIGGER:A:BUS:B1:MIL1553B:COMMAND:ADDRESS:VALUE     | "XXXXXX"               |
| SEARCH:SEARCH1:TRIGGER:A:BUS:B1:MIL1553B:COMMAND:COUNT             | "XXXXX"                |
| SEARCH:SEARCH1:TRIGGER:A:BUS:B1:MIL1553B:COMMAND:PARITY            | X                      |
| SEARCH:SEARCH1:TRIGGER:A:BUS:B1:MIL1553B:COMMAND:SUBADDRESS        | "XXXXX"                |
| SEARCH:SEARCH1:TRIGGER:A:BUS:B1:MIL1553B:COMMAND:TRBIT             | X                      |
| SEARCH:SEARCH1:TRIGGER:A:BUS:B1:MIL1553B:CONDITION                 | SYNC                   |
| SEARCH:SEARCH1:TRIGGER:A:BUS:B1:MIL1553B:DATA:PARITY               | X                      |
| SEARCH:SEARCH1:TRIGGER:A:BUS:B1:MIL1553B:DATA:VALUE                | "XXXXXXXXXXXXXXXXXXXX" |
| SEARCH:SEARCH1:TRIGGER:A:BUS:B1:MIL1553B:ERRTYPE                   | PARITY                 |
| SEARCH:SEARCH1:TRIGGER:A:BUS:B1:MIL1553B:STATUS:ADDRESS:HIVALUE    | "XXXXX"                |
| SEARCH:SEARCH1:TRIGGER:A:BUS:B1:MIL1553B:STATUS:ADDRESS:QUALIFIER  | EQUAL                  |
| SEARCH:SEARCH1:TRIGGER:A:BUS:B1:MIL1553B:STATUS:ADDRESS:VALUE      | "XXXXX"                |
| SEARCH:SEARCH1:TRIGGER:A:BUS:B1:MIL1553B:STATUS:BIT:BCR            | X                      |
| SEARCH:SEARCH1:TRIGGER:A:BUS:B1:MIL1553B:STATUS:BIT:BUSY           | X                      |
| SEARCH:SEARCH1:TRIGGER:A:BUS:B1:MIL1553B:STATUS:BIT:DBCA           | X                      |
| SEARCH:SEARCH1:TRIGGER:A:BUS:B1:MIL1553B:STATUS:BIT:INSTR          | X                      |
| SEARCH:SEARCH1:TRIGGER:A:BUS:B1:MIL1553B:STATUS:BIT:ME             | X                      |
| SEARCH:SEARCH1:TRIGGER:A:BUS:B1:MIL1553B:STATUS:BIT:SRQ            | X                      |
| SEARCH:SEARCH1:TRIGGER:A:BUS:B1:MIL1553B:STATUS:BIT:SUSP           | X                      |

Table C-1: Default Values (cont.)

| Item                                                    | Description                  |
|---------------------------------------------------------|------------------------------|
| SEARCH:SEARCH1:TRIGGER:A:BUS:B1:MIL1553B:STATUS:BIT:TF  | X                            |
| SEARCH:SEARCH1:TRIGGER:A:BUS:B1:MIL1553B:STATUS:PARITY  | X                            |
| SEARCH:SEARCH1:TRIGGER:A:BUS:B1:MIL1553B:TIME:LESSLIMIT | 4.0000E-6                    |
| SEARCH:SEARCH1:TRIGGER:A:BUS:B1:MIL1553B:TIME:MORELIMIT | 12.0000E-6                   |
| SEARCH:SEARCH1:TRIGGER:A:BUS:B1:MIL1553B:TIME:QUALIFIER | MORETHAN                     |
| SEARCH:SEARCH1:TRIGGER:A:BUS:B1:PARALLEL:VALUE          | "XXXXXXXXXXXXXXXXXX"         |
| SEARCH:SEARCH1:TRIGGER:A:BUS:B1:RS232C:CONDITION        | TXSTART                      |
| SEARCH:SEARCH1:TRIGGER:A:BUS:B1:RS232C:RX:DATA:SIZE     | 1                            |
| SEARCH:SEARCH1:TRIGGER:A:BUS:B1:RS232C:RX:DATA:VALUE    | "XXXXXXXX"                   |
| SEARCH:SEARCH1:TRIGGER:A:BUS:B1:RS232C:TX:DATA:SIZE     | 1                            |
| SEARCH:SEARCH1:TRIGGER:A:BUS:B1:RS232C:TX:DATA:VALUE    | "XXXXXXXX"                   |
| SEARCH:SEARCH1:TRIGGER:A:BUS:B1:SPI:CONDITION           | SS                           |
| SEARCH:SEARCH1:TRIGGER:A:BUS:B1:SPI:DATA:MISO:VALUE     | "XXXXXXXX"                   |
| SEARCH:SEARCH1:TRIGGER:A:BUS:B1:SPI:DATA:MOSI:VALUE     | "XXXXXXXX"                   |
| SEARCH:SEARCH1:TRIGGER:A:BUS:B1:SPI:DATA:SIZE           | 1                            |
| SEARCH:SEARCH1:TRIGGER:A:BUS:B1:USB:ADDRESS:HIVALUE     | "XXXXXXXX"                   |
| SEARCH:SEARCH1:TRIGGER:A:BUS:B1:USB:ADDRESS:VALUE       | "XXXXXXXX"                   |
| SEARCH:SEARCH1:TRIGGER:A:BUS:B1:USB:CONDITION           | SYNC                         |
| SEARCH:SEARCH1:TRIGGER:A:BUS:B1:USB:DATA:HIVALUE        | "XXXXXXXX"                   |
| SEARCH:SEARCH1:TRIGGER:A:BUS:B1:USB:DATA:OFFSET         | -1                           |
| SEARCH:SEARCH1:TRIGGER:A:BUS:B1:USB:DATA:SIZE           | 1                            |
| SEARCH:SEARCH1:TRIGGER:A:BUS:B1:USB:DATA:TYPE           | ANY                          |
| SEARCH:SEARCH1:TRIGGER:A:BUS:B1:USB:DATA:VALUE          | "XXXXXXXX"                   |
| SEARCH:SEARCH1:TRIGGER:A:BUS:B1:USB:ENDPOINT:VALUE      | "XXXX"                       |
| SEARCH:SEARCH1:TRIGGER:A:BUS:B1:USB:ERRTYPE             | PID                          |
| SEARCH:SEARCH1:TRIGGER:A:BUS:B1:USB:HANDSHAKETYPE       | ANY                          |
| SEARCH:SEARCH1:TRIGGER:A:BUS:B1:USB:QUALIFIER           | EQUAL                        |
| SEARCH:SEARCH1:TRIGGER:A:BUS:B1:USB:SOFFRAMENUMBER      | "XXXXXXXXXXXX"               |
| SEARCH:SEARCH1:TRIGGER:A:BUS:B1:USB:SPECIALTYPE         | ANY                          |
| SEARCH:SEARCH1:TRIGGER:A:BUS:B1:USB:TOKENTYPE           | ANY                          |
| SEARCH:SEARCH1:TRIGGER:A:BUS:B2:AUDIO:CONDITION         | SOF                          |
| SEARCH:SEARCH1:TRIGGER:A:BUS:B2:AUDIO:DATA:HIVALUE      | "XXXXXXXXXXXXXXXXXXXXXXXXXX" |
| SEARCH:SEARCH1:TRIGGER:A:BUS:B2:AUDIO:DATA:OFFSET       | 0                            |
| SEARCH:SEARCH1:TRIGGER:A:BUS:B2:AUDIO:DATA:QUALIFIER    | EQUAL                        |
| SEARCH:SEARCH1:TRIGGER:A:BUS:B2:AUDIO:DATA:VALUE        | "XXXXXXXXXXXXXXXXXXXXXXXXXX" |
| SEARCH:SEARCH1:TRIGGER:A:BUS:B2:AUDIO:DATA:WORD         | EITHER                       |
| SEARCH:SEARCH1:TRIGGER:A:BUS:B2:CAN:CONDITION           | SOF                          |

Table C-1: Default Values (cont.)

| Item                                                         | Description    |
|--------------------------------------------------------------|----------------|
| SEARCH:SEARCH1:TRIGGER:A:BUS:B2:CAN:DATA:DIRECTION           | NOCARE         |
| SEARCH:SEARCH1:TRIGGER:A:BUS:B2:CAN:DATA:OFFSET              | 0              |
| SEARCH:SEARCH1:TRIGGER:A:BUS:B2:CAN:DATA:QUALIFIER           | EQUAL          |
| SEARCH:SEARCH1:TRIGGER:A:BUS:B2:CAN:DATA:SIZE                | 1              |
| SEARCH:SEARCH1:TRIGGER:A:BUS:B2:CAN:DATA:VALUE               | "XXXXXXXX"     |
| SEARCH:SEARCH1:TRIGGER:A:BUS:B2:CAN:FD:BRSBIT                | X              |
| SEARCH:SEARCH1:TRIGGER:A:BUS:B2:CAN:FD:ESIBIT                | X              |
| SEARCH:SEARCH1:TRIGGER:A:BUS:B2:CAN:FRAMETYPE                | DATA           |
| SEARCH:SEARCH1:TRIGGER:A:BUS:B2:CAN:IDENTIFIER:MODE          | STANDARD       |
| SEARCH:SEARCH1:TRIGGER:A:BUS:B2:CAN:IDENTIFIER:VALUE         | "XXXXXXXXXXXX" |
| SEARCH:SEARCH1:TRIGGER:A:BUS:B2:FLEXRAY:CONDITION            | SOF            |
| SEARCH:SEARCH1:TRIGGER:A:BUS:B2:FLEXRAY:CYCLECOUNT:HIVALUE   | "XXXXXX"       |
| SEARCH:SEARCH1:TRIGGER:A:BUS:B2:FLEXRAY:CYCLECOUNT:QUALIFIER | EQUAL          |
| SEARCH:SEARCH1:TRIGGER:A:BUS:B2:FLEXRAY:CYCLECOUNT:VALUE     | "XXXXXX"       |
| SEARCH:SEARCH1:TRIGGER:A:BUS:B2:FLEXRAY:DATA:HIVALUE         | "XXXXXXXX"     |
| SEARCH:SEARCH1:TRIGGER:A:BUS:B2:FLEXRAY:DATA:OFFSET          | -1             |
| SEARCH:SEARCH1:TRIGGER:A:BUS:B2:FLEXRAY:DATA:QUALIFIER       | EQUAL          |
| SEARCH:SEARCH1:TRIGGER:A:BUS:B2:FLEXRAY:DATA:SIZE            | 1              |
| SEARCH:SEARCH1:TRIGGER:A:BUS:B2:FLEXRAY:DATA:VALUE           | "XXXXXXXX"     |
| SEARCH:SEARCH1:TRIGGER:A:BUS:B2:FLEXRAY:EOFTYPE              | STATIC         |
| SEARCH:SEARCH1:TRIGGER:A:BUS:B2:FLEXRAY:ERRTYPE              | CRCHEADER      |
| SEARCH:SEARCH1:TRIGGER:A:BUS:B2:FLEXRAY:FRAMEID:HIVALUE      | "XXXXXXXXXXXX" |
| SEARCH:SEARCH1:TRIGGER:A:BUS:B2:FLEXRAY:FRAMEID:QUALIFIER    | EQUAL          |
| SEARCH:SEARCH1:TRIGGER:A:BUS:B2:FLEXRAY:FRAMEID:VALUE        | "XXXXXXXXXXXX" |
| SEARCH:SEARCH1:TRIGGER:A:BUS:B2:FLEXRAY:FRAMETYPE            | NORMAL         |
| SEARCH:SEARCH1:TRIGGER:A:BUS:B2:FLEXRAY:HEADER:CRC           | "XXXXXXXXXXXX" |
| SEARCH:SEARCH1:TRIGGER:A:BUS:B2:FLEXRAY:HEADER:CYCLECOUNT    | "XXXXXX"       |
| SEARCH:SEARCH1:TRIGGER:A:BUS:B2:FLEXRAY:HEADER:FRAMEID       | "XXXXXXXXXXXX" |
| SEARCH:SEARCH1:TRIGGER:A:BUS:B2:FLEXRAY:HEADER:INDBITS       | "XXXXXX"       |
| SEARCH:SEARCH1:TRIGGER:A:BUS:B2:FLEXRAY:HEADER:PAYLENGTH     | "XXXXXX"       |
| SEARCH:SEARCH1:TRIGGER:A:BUS:B2:I2C:ADDRESS:MODE             | ADDR7          |
| SEARCH:SEARCH1:TRIGGER:A:BUS:B2:I2C:ADDRESS:TYPE             | USER           |
| SEARCH:SEARCH1:TRIGGER:A:BUS:B2:I2C:ADDRESS:VALUE            | "XXXXXX"       |
| SEARCH:SEARCH1:TRIGGER:A:BUS:B2:I2C:CONDITION                | START          |
| SEARCH:SEARCH1:TRIGGER:A:BUS:B2:I2C:DATA:DIRECTION           | NOCARE         |
| SEARCH:SEARCH1:TRIGGER:A:BUS:B2:I2C:DATA:SIZE                | 1              |
| SEARCH:SEARCH1:TRIGGER:A:BUS:B2:I2C:DATA:VALUE               | "XXXXXXXX"     |

Table C-1: Default Values (cont.)

| Item                                                               | Description          |
|--------------------------------------------------------------------|----------------------|
| SEARCH:SEARCH1:TRIGGER:A:BUS:B2:LIN:CONDITION                      | SYNCFIELD            |
| SEARCH:SEARCH1:TRIGGER:A:BUS:B2:LIN:DATA:HIVALUE                   | "XXXXXXXX"           |
| SEARCH:SEARCH1:TRIGGER:A:BUS:B2:LIN:DATA:QUALIFIER                 | EQUAL                |
| SEARCH:SEARCH1:TRIGGER:A:BUS:B2:LIN:DATA:SIZE                      | 1                    |
| SEARCH:SEARCH1:TRIGGER:A:BUS:B2:LIN:DATA:VALUE                     | "XXXXXXXX"           |
| SEARCH:SEARCH1:TRIGGER:A:BUS:B2:LIN:ERRTYPE                        | SYNC                 |
| SEARCH:SEARCH1:TRIGGER:A:BUS:B2:LIN:IDENTIFIER:VALUE               | "XXXXXX"             |
| SEARCH:SEARCH1:TRIGGER:A:BUS:B2:MIL1553B:COMMAND:ADDRESS:HIVALUE   | "XXXXX"              |
| SEARCH:SEARCH1:TRIGGER:A:BUS:B2:MIL1553B:COMMAND:ADDRESS:QUALIFIER | EQUAL                |
| SEARCH:SEARCH1:TRIGGER:A:BUS:B2:MIL1553B:COMMAND:ADDRESS:VALUE     | "XXXXX"              |
| SEARCH:SEARCH1:TRIGGER:A:BUS:B2:MIL1553B:COMMAND:COUNT             | "XXXXX"              |
| SEARCH:SEARCH1:TRIGGER:A:BUS:B2:MIL1553B:COMMAND:PARITY            | X                    |
| SEARCH:SEARCH1:TRIGGER:A:BUS:B2:MIL1553B:COMMAND:SUBADDRESS        | "XXXXX"              |
| SEARCH:SEARCH1:TRIGGER:A:BUS:B2:MIL1553B:COMMAND:TRBIT             | X                    |
| SEARCH:SEARCH1:TRIGGER:A:BUS:B2:MIL1553B:CONDITION                 | SYNC                 |
| SEARCH:SEARCH1:TRIGGER:A:BUS:B2:MIL1553B:DATA:PARITY               | X                    |
| SEARCH:SEARCH1:TRIGGER:A:BUS:B2:MIL1553B:DATA:VALUE                | "XXXXXXXXXXXXXXXXXX" |
| SEARCH:SEARCH1:TRIGGER:A:BUS:B2:MIL1553B:ERRTYPE                   | PARITY               |
| SEARCH:SEARCH1:TRIGGER:A:BUS:B2:MIL1553B:STATUS:ADDRESS:HIVALUE    | "XXXXX"              |
| SEARCH:SEARCH1:TRIGGER:A:BUS:B2:MIL1553B:STATUS:ADDRESS:QUALIFIER  | EQUAL                |
| SEARCH:SEARCH1:TRIGGER:A:BUS:B2:MIL1553B:STATUS:ADDRESS:VALUE      | "XXXXX"              |
| SEARCH:SEARCH1:TRIGGER:A:BUS:B2:MIL1553B:STATUS:BIT:BCR            | X                    |
| SEARCH:SEARCH1:TRIGGER:A:BUS:B2:MIL1553B:STATUS:BIT:BUSY           | X                    |
| SEARCH:SEARCH1:TRIGGER:A:BUS:B2:MIL1553B:STATUS:BIT:DBCA           | X                    |
| SEARCH:SEARCH1:TRIGGER:A:BUS:B2:MIL1553B:STATUS:BIT:INSTR          | X                    |
| SEARCH:SEARCH1:TRIGGER:A:BUS:B2:MIL1553B:STATUS:BIT:ME             | X                    |
| SEARCH:SEARCH1:TRIGGER:A:BUS:B2:MIL1553B:STATUS:BIT:SRQ            | X                    |
| SEARCH:SEARCH1:TRIGGER:A:BUS:B2:MIL1553B:STATUS:BIT:SBSF           | X                    |
| SEARCH:SEARCH1:TRIGGER:A:BUS:B2:MIL1553B:STATUS:BIT:TF             | X                    |
| SEARCH:SEARCH1:TRIGGER:A:BUS:B2:MIL1553B:STATUS:PARITY             | X                    |
| SEARCH:SEARCH1:TRIGGER:A:BUS:B2:MIL1553B:TIME:LESSLIMIT            | 4.0000E-6            |
| SEARCH:SEARCH1:TRIGGER:A:BUS:B2:MIL1553B:TIME:MORELIMIT            | 12.0000E-6           |
| SEARCH:SEARCH1:TRIGGER:A:BUS:B2:MIL1553B:TIME:QUALIFIER            | MORETHAN             |
| SEARCH:SEARCH1:TRIGGER:A:BUS:B2:PARALLEL:VALUE                     | "XXXXXXXXXXXXXXXXXX" |
| SEARCH:SEARCH1:TRIGGER:A:BUS:B2:RS232C:CONDITION                   | TXSTART              |
| SEARCH:SEARCH1:TRIGGER:A:BUS:B2:RS232C:RX:DATA:SIZE                | 1                    |
| SEARCH:SEARCH1:TRIGGER:A:BUS:B2:RS232C:RX:DATA:VALUE               | "XXXXXXXX"           |

Table C-1: Default Values (cont.)

| Item                                                 | Description    |
|------------------------------------------------------|----------------|
| SEARCH:SEARCH1:TRIGGER:A:BUS:B2:RS232C:TX:DATA:SIZE  | 1              |
| SEARCH:SEARCH1:TRIGGER:A:BUS:B2:RS232C:TX:DATA:VALUE | "XXXXXXXX"     |
| SEARCH:SEARCH1:TRIGGER:A:BUS:B2:SPI:CONDITION        | SS             |
| SEARCH:SEARCH1:TRIGGER:A:BUS:B2:SPI:DATA:MISO:VALUE  | "XXXXXXXX"     |
| SEARCH:SEARCH1:TRIGGER:A:BUS:B2:SPI:DATA:MOSI:VALUE  | "XXXXXXXX"     |
| SEARCH:SEARCH1:TRIGGER:A:BUS:B2:SPI:DATA:SIZE        | 1              |
| SEARCH:SEARCH1:TRIGGER:A:BUS:B2:USB:ADDRESS:HIVALUE  | "XXXXXXXX"     |
| SEARCH:SEARCH1:TRIGGER:A:BUS:B2:USB:ADDRESS:VALUE    | "XXXXXXXX"     |
| SEARCH:SEARCH1:TRIGGER:A:BUS:B2:USB:CONDITION        | SYNC           |
| SEARCH:SEARCH1:TRIGGER:A:BUS:B2:USB:DATA:HIVALUE     | "XXXXXXXX"     |
| SEARCH:SEARCH1:TRIGGER:A:BUS:B2:USB:DATA:OFFSET      | -1             |
| SEARCH:SEARCH1:TRIGGER:A:BUS:B2:USB:DATA:SIZE        | 1              |
| SEARCH:SEARCH1:TRIGGER:A:BUS:B2:USB:DATA:TYPE        | ANY            |
| SEARCH:SEARCH1:TRIGGER:A:BUS:B2:USB:DATA:VALUE       | "XXXXXXXX"     |
| SEARCH:SEARCH1:TRIGGER:A:BUS:B2:USB:ENDPOINT:VALUE   | "XXXX"         |
| SEARCH:SEARCH1:TRIGGER:A:BUS:B2:USB:ERRTYPE          | PID            |
| SEARCH:SEARCH1:TRIGGER:A:BUS:B2:USB:HANDSHAKETYPE    | ANY            |
| SEARCH:SEARCH1:TRIGGER:A:BUS:B2:USB:QUALIFIER        | EQUAL          |
| SEARCH:SEARCH1:TRIGGER:A:BUS:B2:USB:SOFFRAMENUMBER   | "XXXXXXXXXXXX" |
| SEARCH:SEARCH1:TRIGGER:A:BUS:B2:USB:SPECIALTYPE      | ANY            |
| SEARCH:SEARCH1:TRIGGER:A:BUS:B2:USB:TOKENTYPE        | ANY            |
| SEARCH:SEARCH1:TRIGGER:A:BUS:SOURCE                  | B1             |
| SEARCH:SEARCH1:TRIGGER:A:EDGE:SLOPE                  | RISE           |
| SEARCH:SEARCH1:TRIGGER:A:EDGE:SOURCE                 | CH1            |
| SEARCH:SEARCH1:TRIGGER:A:LEVEL                       | 0.0E+0         |
| SEARCH:SEARCH1:TRIGGER:A:LEVEL:CH1                   | 0.0E+0         |
| SEARCH:SEARCH1:TRIGGER:A:LEVEL:CH2                   | 0.0E+0         |
| SEARCH:SEARCH1:TRIGGER:A:LEVEL:CH3                   | 0.0E+0         |
| SEARCH:SEARCH1:TRIGGER:A:LEVEL:CH4                   | 0.0E+0         |
| SEARCH:SEARCH1:TRIGGER:A:LEVEL:MATH                  | 0.0E+0         |
| SEARCH:SEARCH1:TRIGGER:A:LEVEL:REF1                  | 0.0E+0         |
| SEARCH:SEARCH1:TRIGGER:A:LEVEL:REF2                  | 0.0E+0         |
| SEARCH:SEARCH1:TRIGGER:A:LEVEL:REF3                  | 0.0E+0         |
| SEARCH:SEARCH1:TRIGGER:A:LEVEL:REF4                  | 0.0E+0         |
| SEARCH:SEARCH1:TRIGGER:A:LOGIC:FUNCTION              | AND            |
| SEARCH:SEARCH1:TRIGGER:A:LOGIC:INPUT:CH1             | X              |
| SEARCH:SEARCH1:TRIGGER:A:LOGIC:INPUT:CH2             | X              |

Table C-1: Default Values (cont.)

| Item                                              | Description |
|---------------------------------------------------|-------------|
| SEARCH:SEARCH1:TRIGGER:A:LOGIC:INPUT:CH3          | X           |
| SEARCH:SEARCH1:TRIGGER:A:LOGIC:INPUT:CH4          | X           |
| SEARCH:SEARCH1:TRIGGER:A:LOGIC:INPUT:CLOCK:EDGE   | RISE        |
| SEARCH:SEARCH1:TRIGGER:A:LOGIC:INPUT:CLOCK:SOURCE | NONE        |
| SEARCH:SEARCH1:TRIGGER:A:LOGIC:INPUT:D0           | X           |
| SEARCH:SEARCH1:TRIGGER:A:LOGIC:INPUT:D1           | X           |
| SEARCH:SEARCH1:TRIGGER:A:LOGIC:INPUT:D10          | X           |
| SEARCH:SEARCH1:TRIGGER:A:LOGIC:INPUT:D11          | X           |
| SEARCH:SEARCH1:TRIGGER:A:LOGIC:INPUT:D12          | X           |
| SEARCH:SEARCH1:TRIGGER:A:LOGIC:INPUT:D13          | X           |
| SEARCH:SEARCH1:TRIGGER:A:LOGIC:INPUT:D14          | X           |
| SEARCH:SEARCH1:TRIGGER:A:LOGIC:INPUT:D15          | X           |
| SEARCH:SEARCH1:TRIGGER:A:LOGIC:INPUT:D2           | X           |
| SEARCH:SEARCH1:TRIGGER:A:LOGIC:INPUT:D3           | X           |
| SEARCH:SEARCH1:TRIGGER:A:LOGIC:INPUT:D4           | X           |
| SEARCH:SEARCH1:TRIGGER:A:LOGIC:INPUT:D5           | X           |
| SEARCH:SEARCH1:TRIGGER:A:LOGIC:INPUT:D6           | X           |
| SEARCH:SEARCH1:TRIGGER:A:LOGIC:INPUT:D7           | X           |
| SEARCH:SEARCH1:TRIGGER:A:LOGIC:INPUT:D8           | X           |
| SEARCH:SEARCH1:TRIGGER:A:LOGIC:INPUT:D9           | X           |
| SEARCH:SEARCH1:TRIGGER:A:LOGIC:INPUT:MATH         | X           |
| SEARCH:SEARCH1:TRIGGER:A:LOGIC:INPUT:REF1         | X           |
| SEARCH:SEARCH1:TRIGGER:A:LOGIC:INPUT:REF2         | X           |
| SEARCH:SEARCH1:TRIGGER:A:LOGIC:INPUT:REF3         | X           |
| SEARCH:SEARCH1:TRIGGER:A:LOGIC:INPUT:REF4         | X           |
| SEARCH:SEARCH1:TRIGGER:A:LOGIC:PATTERN:INPUT:D0   | X           |
| SEARCH:SEARCH1:TRIGGER:A:LOGIC:PATTERN:INPUT:D1   | X           |
| SEARCH:SEARCH1:TRIGGER:A:LOGIC:PATTERN:INPUT:D10  | X           |
| SEARCH:SEARCH1:TRIGGER:A:LOGIC:PATTERN:INPUT:D11  | X           |
| SEARCH:SEARCH1:TRIGGER:A:LOGIC:PATTERN:INPUT:D12  | X           |
| SEARCH:SEARCH1:TRIGGER:A:LOGIC:PATTERN:INPUT:D13  | X           |
| SEARCH:SEARCH1:TRIGGER:A:LOGIC:PATTERN:INPUT:D14  | X           |
| SEARCH:SEARCH1:TRIGGER:A:LOGIC:PATTERN:INPUT:D15  | X           |
| SEARCH:SEARCH1:TRIGGER:A:LOGIC:PATTERN:INPUT:D2   | X           |
| SEARCH:SEARCH1:TRIGGER:A:LOGIC:PATTERN:INPUT:D3   | X           |
| SEARCH:SEARCH1:TRIGGER:A:LOGIC:PATTERN:INPUT:D4   | X           |
| SEARCH:SEARCH1:TRIGGER:A:LOGIC:PATTERN:INPUT:D5   | X           |

Table C-1: Default Values (cont.)

| Item                                                  | Description |
|-------------------------------------------------------|-------------|
| SEARCH:SEARCH1:TRIGGER:A:LOGIC:PATTERN:INPUT:D6       | X           |
| SEARCH:SEARCH1:TRIGGER:A:LOGIC:PATTERN:INPUT:D7       | X           |
| SEARCH:SEARCH1:TRIGGER:A:LOGIC:PATTERN:INPUT:D8       | X           |
| SEARCH:SEARCH1:TRIGGER:A:LOGIC:PATTERN:INPUT:D9       | X           |
| SEARCH:SEARCH1:TRIGGER:A:LOGIC:PATTERN:WHEN           | TRUE        |
| SEARCH:SEARCH1:TRIGGER:A:LOGIC:PATTERN:WHEN:LESSLIMIT | 8.0000E-9   |
| SEARCH:SEARCH1:TRIGGER:A:LOGIC:PATTERN:WHEN:MORELIMIT | 8.0000E-9   |
| SEARCH:SEARCH1:TRIGGER:A:LOGIC:THRESHOLD:CH1          | 0.0E+0      |
| SEARCH:SEARCH1:TRIGGER:A:LOGIC:THRESHOLD:CH2          | 0.0E+0      |
| SEARCH:SEARCH1:TRIGGER:A:LOGIC:THRESHOLD:CH3          | 0.0E+0      |
| SEARCH:SEARCH1:TRIGGER:A:LOGIC:THRESHOLD:CH4          | 0.0E+0      |
| SEARCH:SEARCH1:TRIGGER:A:LOGIC:THRESHOLD:MATH         | 0.0E+0      |
| SEARCH:SEARCH1:TRIGGER:A:LOGIC:THRESHOLD:REF1         | 0.0E+0      |
| SEARCH:SEARCH1:TRIGGER:A:LOGIC:THRESHOLD:REF2         | 0.0E+0      |
| SEARCH:SEARCH1:TRIGGER:A:LOGIC:THRESHOLD:REF3         | 0.0E+0      |
| SEARCH:SEARCH1:TRIGGER:A:LOGIC:THRESHOLD:REF4         | 0.0E+0      |
| SEARCH:SEARCH1:TRIGGER:A:LOWERTHRESHOLD:CH1           | 0.0E+0      |
| SEARCH:SEARCH1:TRIGGER:A:LOWERTHRESHOLD:CH2           | 0.0E+0      |
| SEARCH:SEARCH1:TRIGGER:A:LOWERTHRESHOLD:CH3           | 0.0E+0      |
| SEARCH:SEARCH1:TRIGGER:A:LOWERTHRESHOLD:CH4           | 0.0E+0      |
| SEARCH:SEARCH1:TRIGGER:A:LOWERTHRESHOLD:MATH          | 0.0E+0      |
| SEARCH:SEARCH1:TRIGGER:A:LOWERTHRESHOLD:REF1          | 0.0E+0      |
| SEARCH:SEARCH1:TRIGGER:A:LOWERTHRESHOLD:REF2          | 0.0E+0      |
| SEARCH:SEARCH1:TRIGGER:A:LOWERTHRESHOLD:REF3          | 0.0E+0      |
| SEARCH:SEARCH1:TRIGGER:A:LOWERTHRESHOLD:REF4          | 0.0E+0      |
| SEARCH:SEARCH1:TRIGGER:A:PULSEWIDTH:HIGHLIMIT         | 12.0000E-9  |
| SEARCH:SEARCH1:TRIGGER:A:PULSEWIDTH:LOWLIMIT          | 8.0000E-9   |
| SEARCH:SEARCH1:TRIGGER:A:PULSEWIDTH:POLARITY          | POSITIVE    |
| SEARCH:SEARCH1:TRIGGER:A:PULSEWIDTH:WHEN              | LESSTHAN    |
| SEARCH:SEARCH1:TRIGGER:A:PULSEWIDTH:WIDTH             | 8.0000E-9   |
| SEARCH:SEARCH1:TRIGGER:A:RUNT:POLARITY                | POSITIVE    |
| SEARCH:SEARCH1:TRIGGER:A:RUNT:WHEN                    | OCCURS      |
| SEARCH:SEARCH1:TRIGGER:A:RUNT:WIDTH                   | 8.0000E-9   |
| SEARCH:SEARCH1:TRIGGER:A:SETHOLD:CLOCK:EDGE           | RISE        |
| SEARCH:SEARCH1:TRIGGER:A:SETHOLD:CLOCK:SOURCE         | CH1         |
| SEARCH:SEARCH1:TRIGGER:A:SETHOLD:CLOCK:THRESHOLD      | 0.0E+0      |
| SEARCH:SEARCH1:TRIGGER:A:SETHOLD:DATA:SOURCE          | NONE        |



Table C-1: Default Values (cont.)

| Item                                                | Description                    |
|-----------------------------------------------------|--------------------------------|
| SEARCH:SEARCH1:TRIGGER:A:SETHOLD:DATA:THRESHOLD     | 9.91E+37                       |
| SEARCH:SEARCH1:TRIGGER:A:SETHOLD:HOLDTIME           | 8.0000E-9                      |
| SEARCH:SEARCH1:TRIGGER:A:SETHOLD:SETTIME            | 8.0000E-9                      |
| SEARCH:SEARCH1:TRIGGER:A:SETHOLD:THRESHOLD:CH1      | 0.0E+0                         |
| SEARCH:SEARCH1:TRIGGER:A:SETHOLD:THRESHOLD:CH2      | 0.0E+0                         |
| SEARCH:SEARCH1:TRIGGER:A:SETHOLD:THRESHOLD:CH3      | 0.0E+0                         |
| SEARCH:SEARCH1:TRIGGER:A:SETHOLD:THRESHOLD:CH4      | 0.0E+0                         |
| SEARCH:SEARCH1:TRIGGER:A:SETHOLD:THRESHOLD:MATH     | 0.0E+0                         |
| SEARCH:SEARCH1:TRIGGER:A:SETHOLD:THRESHOLD:REF1     | 0.0E+0                         |
| SEARCH:SEARCH1:TRIGGER:A:SETHOLD:THRESHOLD:REF2     | 0.0E+0                         |
| SEARCH:SEARCH1:TRIGGER:A:SETHOLD:THRESHOLD:REF3     | 0.0E+0                         |
| SEARCH:SEARCH1:TRIGGER:A:SETHOLD:THRESHOLD:REF4     | 0.0E+0                         |
| SEARCH:SEARCH1:TRIGGER:A:TIMEOUT:POLARITY           | STAYSHIGH                      |
| SEARCH:SEARCH1:TRIGGER:A:TIMEOUT:TIME               | 8.0000E-9                      |
| SEARCH:SEARCH1:TRIGGER:A:TRANSITION:DELTATIME       | 8.0000E-9                      |
| SEARCH:SEARCH1:TRIGGER:A:TRANSITION:POLARITY        | POSITIVE                       |
| SEARCH:SEARCH1:TRIGGER:A:TRANSITION:WHEN            | SLOWER                         |
| SEARCH:SEARCH1:TRIGGER:A:TYPE                       | EDGE                           |
| SEARCH:SEARCH1:TRIGGER:A:UPPERTHRESHOLD:CH1         | 800.0000E-3                    |
| SEARCH:SEARCH1:TRIGGER:A:UPPERTHRESHOLD:CH2         | 800.0000E-3                    |
| SEARCH:SEARCH1:TRIGGER:A:UPPERTHRESHOLD:CH3         | 800.0000E-3                    |
| SEARCH:SEARCH1:TRIGGER:A:UPPERTHRESHOLD:CH4         | 800.0000E-3                    |
| SEARCH:SEARCH1:TRIGGER:A:UPPERTHRESHOLD:MATH        | 800.0000E-3                    |
| SEARCH:SEARCH1:TRIGGER:A:UPPERTHRESHOLD:REF1        | 800.0000E-3                    |
| SEARCH:SEARCH1:TRIGGER:A:UPPERTHRESHOLD:REF2        | 800.0000E-3                    |
| SEARCH:SEARCH1:TRIGGER:A:UPPERTHRESHOLD:REF3        | 800.0000E-3                    |
| SEARCH:SEARCH1:TRIGGER:A:UPPERTHRESHOLD:REF4        | 800.0000E-3                    |
| SEARCH:SEARCH<x>:TRIGGER:A:BUS:B<x>:CAN:DATA:OFFSet | 0                              |
| SEARCH:SEARCH<x>:TRIGGER:A:BUS:B<x>:CAN:FD:BRSBIT   | X                              |
| SEARCH:SEARCH<x>:TRIGGER:A:BUS:B<x>:CAN:FD:ESIBIT   | X                              |
| TRIGGER:A:BUS:B1:AUDIO:CONDITION                    | SOF                            |
| TRIGGER:A:BUS:B1:AUDIO:DATA:HIVALUE                 | "XXXXXXXXXXXXXXXXXXXXXXXXXXXX" |
| TRIGGER:A:BUS:B1:AUDIO:DATA:OFFSET                  | 0                              |
| TRIGGER:A:BUS:B1:AUDIO:DATA:QUALIFIER               | EQUAL                          |
| TRIGGER:A:BUS:B1:AUDIO:DATA:VALUE                   | "XXXXXXXXXXXXXXXXXXXXXXXXXXXX" |
| TRIGGER:A:BUS:B1:AUDIO:DATA:WORD                    | EITHER                         |
| TRIGGER:A:BUS:B1:CAN:CONDITION                      | SOF                            |

**Table C-1: Default Values (cont.)**

| <b>Item</b>                                   | <b>Description</b> |
|-----------------------------------------------|--------------------|
| TRIGGER:A:BUS:B1:CAN:DATA:DIRECTION           | NO CARE            |
| TRIGGER:A:BUS:B1:CAN:DATA:OFFSET              | 0                  |
| TRIGGER:A:BUS:B1:CAN:DATA:QUALIFIER           | EQUAL              |
| TRIGGER:A:BUS:B1:CAN:DATA:SIZE                | 1                  |
| TRIGGER:A:BUS:B1:CAN:DATA:START               | 0.0E+0             |
| TRIGGER:A:BUS:B1:CAN:FD:BRISBIT               | X                  |
| TRIGGER:A:BUS:B1:CAN:FD:ESIBIT                | X                  |
| TRIGGER:A:BUS:B1:CAN:DATA:VALUE               | "XXXXXXXX"         |
| TRIGGER:A:BUS:B1:CAN:FRAMETYPE                | DATA               |
| TRIGGER:A:BUS:B1:CAN:IDENTIFIER:MODE          | STANDARD           |
| TRIGGER:A:BUS:B1:CAN:IDENTIFIER:VALUE         | "XXXXXXXXXXXX"     |
| TRIGGER:A:BUS:B1:FLEXRAY:CONDITION            | SOF                |
| TRIGGER:A:BUS:B1:FLEXRAY:CYCLECOUNT:HIVALUE   | "XXXXXX"           |
| TRIGGER:A:BUS:B1:FLEXRAY:CYCLECOUNT:QUALIFIER | EQUAL              |
| TRIGGER:A:BUS:B1:FLEXRAY:CYCLECOUNT:VALUE     | "XXXXXX"           |
| TRIGGER:A:BUS:B1:FLEXRAY:DATA:HIVALUE         | "XXXXXXXX"         |
| TRIGGER:A:BUS:B1:FLEXRAY:DATA:OFFSET          | -1                 |
| TRIGGER:A:BUS:B1:FLEXRAY:DATA:QUALIFIER       | EQUAL              |
| TRIGGER:A:BUS:B1:FLEXRAY:DATA:SIZE            | 1                  |
| TRIGGER:A:BUS:B1:FLEXRAY:DATA:VALUE           | "XXXXXXXX"         |
| TRIGGER:A:BUS:B1:FLEXRAY:EOFTYPE              | STATIC             |
| TRIGGER:A:BUS:B1:FLEXRAY:ERRTYPE              | CRCHEADER          |
| TRIGGER:A:BUS:B1:FLEXRAY:FRAMEID:HIVALUE      | "XXXXXXXXXXXX"     |
| TRIGGER:A:BUS:B1:FLEXRAY:FRAMEID:QUALIFIER    | EQUAL              |
| TRIGGER:A:BUS:B1:FLEXRAY:FRAMEID:VALUE        | "XXXXXXXXXXXX"     |
| TRIGGER:A:BUS:B1:FLEXRAY:FRAMETYPE            | NORMAL             |
| TRIGGER:A:BUS:B1:FLEXRAY:HEADER:CRC           | "XXXXXXXXXXXX"     |
| TRIGGER:A:BUS:B1:FLEXRAY:HEADER:CYCLECOUNT    | "XXXXXX"           |
| TRIGGER:A:BUS:B1:FLEXRAY:HEADER:FRAMEID       | "XXXXXXXXXXXX"     |
| TRIGGER:A:BUS:B1:FLEXRAY:HEADER:INDBITS       | "XXXXX"            |
| TRIGGER:A:BUS:B1:FLEXRAY:HEADER:PAYLENGTH     | "XXXXXX"           |
| TRIGGER:A:BUS:B1:I2C:ADDRESS:MODE             | ADDR7              |
| TRIGGER:A:BUS:B1:I2C:ADDRESS:TYPE             | USER               |
| TRIGGER:A:BUS:B1:I2C:ADDRESS:VALUE            | "XXXXXX"           |
| TRIGGER:A:BUS:B1:I2C:CONDITION                | START              |
| TRIGGER:A:BUS:B1:I2C:DATA:DIRECTION           | NO CARE            |
| TRIGGER:A:BUS:B1:I2C:DATA:SIZE                | 1                  |

Table C-1: Default Values (cont.)

| Item                                  | Description                    |
|---------------------------------------|--------------------------------|
| TRIGGER:A:BUS:B1:I2C:DATA:START       | 0.0E+0                         |
| TRIGGER:A:BUS:B1:I2C:DATA:VALUE       | "XXXXXXXX"                     |
| TRIGGER:A:BUS:B1:LIN:CONDITION        | SYNCFIELD                      |
| TRIGGER:A:BUS:B1:LIN:DATA:HIVALUE     | "XXXXXXXX"                     |
| TRIGGER:A:BUS:B1:LIN:DATA:QUALIFIER   | EQUAL                          |
| TRIGGER:A:BUS:B1:LIN:DATA:SIZE        | 1                              |
| TRIGGER:A:BUS:B1:LIN:DATA:VALUE       | "XXXXXXXX"                     |
| TRIGGER:A:BUS:B1:LIN:ERRTYPE          | SYNC                           |
| TRIGGER:A:BUS:B1:LIN:IDENTIFIER:VALUE | "XXXXXX"                       |
| TRIGGER:A:BUS:B1:PARALLEL:VALUE       | "XXXXXXXXXXXXXXXXXXXX"         |
| TRIGGER:A:BUS:B1:RS232C:CONDITION     | TXSTART                        |
| TRIGGER:A:BUS:B1:RS232C:RX:DATA:SIZE  | 1                              |
| TRIGGER:A:BUS:B1:RS232C:RX:DATA:VALUE | "XXXXXXXX"                     |
| TRIGGER:A:BUS:B1:RS232C:TX:DATA:SIZE  | 1                              |
| TRIGGER:A:BUS:B1:RS232C:TX:DATA:VALUE | "XXXXXXXX"                     |
| TRIGGER:A:BUS:B1:SPI:CONDITION        | SS                             |
| TRIGGER:A:BUS:B1:SPI:DATA:IN:VALUE    | "XXXXXXXX"                     |
| TRIGGER:A:BUS:B1:SPI:DATA:OUT:VALUE   | "XXXXXXXX"                     |
| TRIGGER:A:BUS:B1:SPI:DATA:SIZE        | 1                              |
| TRIGGER:A:BUS:B1:SPI:DATA:START       | 0.0E+0                         |
| TRIGGER:A:BUS:B1:USB:ADDRESS:HIVALUE  | "XXXXXXXX"                     |
| TRIGGER:A:BUS:B1:USB:ADDRESS:VALUE    | "XXXXXXXX"                     |
| TRIGGER:A:BUS:B1:USB:CONDITION        | SYNC                           |
| TRIGGER:A:BUS:B1:USB:DATA:HIVALUE     | "XXXXXXXX"                     |
| TRIGGER:A:BUS:B1:USB:DATA:OFFSET      | -1                             |
| TRIGGER:A:BUS:B1:USB:DATA:SIZE        | 1                              |
| TRIGGER:A:BUS:B1:USB:DATA:TYPE        | ANY                            |
| TRIGGER:A:BUS:B1:USB:DATA:VALUE       | "XXXXXXXX"                     |
| TRIGGER:A:BUS:B1:USB:ENDPOINT:VALUE   | "XXXX"                         |
| TRIGGER:A:BUS:B1:USB:ERRTYPE          | PID                            |
| TRIGGER:A:BUS:B1:USB:HANDSHAKETYPE    | ANY                            |
| TRIGGER:A:BUS:B1:USB:QUALIFIER        | EQUAL                          |
| TRIGGER:A:BUS:B1:USB:SOFFRAMENUMBER   | "XXXXXXXXXXXX"                 |
| TRIGGER:A:BUS:B1:USB:SPECIALTYPE      | ANY                            |
| TRIGGER:A:BUS:B1:USB:TOKENTYPE        | ANY                            |
| TRIGGER:A:BUS:B2:AUDIO:CONDITION      | SOF                            |
| TRIGGER:A:BUS:B2:AUDIO:DATA:HIVALUE   | "XXXXXXXXXXXXXXXXXXXXXXXXXXXX" |

**Table C-1: Default Values (cont.)**

| <b>Item</b>                                   | <b>Description</b>             |
|-----------------------------------------------|--------------------------------|
| TRIGGER:A:BUS:B2:AUDIO:DATA:OFFSET            | 0                              |
| TRIGGER:A:BUS:B2:AUDIO:DATA:QUALIFIER         | EQUAL                          |
| TRIGGER:A:BUS:B2:AUDIO:DATA:VALUE             | "XXXXXXXXXXXXXXXXXXXXXXXXXXXX" |
| TRIGGER:A:BUS:B2:AUDIO:DATA:WORD              | EITHER                         |
| TRIGGER:A:BUS:B2:CAN:CONDITION                | SOF                            |
| TRIGGER:A:BUS:B2:CAN:DATA:DIRECTION           | NOCARE                         |
| TRIGGER:A:BUS:B2:CAN:DATA:OFFSET              | 0                              |
| TRIGGER:A:BUS:B2:CAN:DATA:QUALIFIER           | EQUAL                          |
| TRIGGER:A:BUS:B2:CAN:DATA:SIZE                | 1                              |
| TRIGGER:A:BUS:B2:CAN:DATA:START               | 0.0E+0                         |
| TRIGGER:A:BUS:B2:CAN:DATA:VALUE               | "XXXXXXX"                      |
| TRIGGER:A:BUS:B2:CAN:FD:BRBUT                 | X                              |
| TRIGGER:A:BUS:B2:CAN:FD:ESIBIT                | X                              |
| TRIGGER:A:BUS:B2:CAN:FRAMETYPE                | DATA                           |
| TRIGGER:A:BUS:B2:CAN:IDENTIFIER:MODE          | STANDARD                       |
| TRIGGER:A:BUS:B2:CAN:IDENTIFIER:VALUE         | "XXXXXXXXXXXX"                 |
| TRIGGER:A:BUS:B2:FLEXRAY:CONDITION            | SOF                            |
| TRIGGER:A:BUS:B2:FLEXRAY:CYCLECOUNT:HIVALUE   | "XXXXXX"                       |
| TRIGGER:A:BUS:B2:FLEXRAY:CYCLECOUNT:QUALIFIER | EQUAL                          |
| TRIGGER:A:BUS:B2:FLEXRAY:CYCLECOUNT:VALUE     | "XXXXXX"                       |
| TRIGGER:A:BUS:B2:FLEXRAY:DATA:HIVALUE         | "XXXXXXXX"                     |
| TRIGGER:A:BUS:B2:FLEXRAY:DATA:OFFSET          | -1                             |
| TRIGGER:A:BUS:B2:FLEXRAY:DATA:QUALIFIER       | EQUAL                          |
| TRIGGER:A:BUS:B2:FLEXRAY:DATA:SIZE            | 1                              |
| TRIGGER:A:BUS:B2:FLEXRAY:DATA:VALUE           | "XXXXXXXX"                     |
| TRIGGER:A:BUS:B2:FLEXRAY:EOFTYPE              | STATIC                         |
| TRIGGER:A:BUS:B2:FLEXRAY:ERRTYPE              | CRCHEADER                      |
| TRIGGER:A:BUS:B2:FLEXRAY:FRAMEID:HIVALUE      | "XXXXXXXXXXXX"                 |
| TRIGGER:A:BUS:B2:FLEXRAY:FRAMEID:QUALIFIER    | EQUAL                          |
| TRIGGER:A:BUS:B2:FLEXRAY:FRAMEID:VALUE        | "XXXXXXXXXXXX"                 |
| TRIGGER:A:BUS:B2:FLEXRAY:FRAMETYPE            | NORMAL                         |
| TRIGGER:A:BUS:B2:FLEXRAY:HEADER:CRC           | "XXXXXXXXXXXX"                 |
| TRIGGER:A:BUS:B2:FLEXRAY:HEADER:CYCLECOUNT    | "XXXXXX"                       |
| TRIGGER:A:BUS:B2:FLEXRAY:HEADER:FRAMEID       | "XXXXXXXXXXXX"                 |
| TRIGGER:A:BUS:B2:FLEXRAY:HEADER:INDBITS       | "XXXXXX"                       |
| TRIGGER:A:BUS:B2:FLEXRAY:HEADER:PAYLENGTH     | "XXXXXX"                       |
| TRIGGER:A:BUS:B2:I2C:ADDRESS:MODE             | ADDR7                          |

Table C-1: Default Values (cont.)

| Item                                  | Description          |
|---------------------------------------|----------------------|
| TRIGGER:A:BUS:B2:I2C:ADDRESS:TYPE     | USER                 |
| TRIGGER:A:BUS:B2:I2C:ADDRESS:VALUE    | "XXXXXXXX"           |
| TRIGGER:A:BUS:B2:I2C:CONDITION        | START                |
| TRIGGER:A:BUS:B2:I2C:DATA:DIRECTION   | NOCARE               |
| TRIGGER:A:BUS:B2:I2C:DATA:SIZE        | 1                    |
| TRIGGER:A:BUS:B2:I2C:DATA:START       | 0.0E+0               |
| TRIGGER:A:BUS:B2:I2C:DATA:VALUE       | "XXXXXXXX"           |
| TRIGGER:A:BUS:B2:LIN:CONDITION        | SYNCFIELD            |
| TRIGGER:A:BUS:B2:LIN:DATA:HIVALUE     | "XXXXXXXX"           |
| TRIGGER:A:BUS:B2:LIN:DATA:QUALIFIER   | EQUAL                |
| TRIGGER:A:BUS:B2:LIN:DATA:SIZE        | 1                    |
| TRIGGER:A:BUS:B2:LIN:DATA:VALUE       | "XXXXXXXX"           |
| TRIGGER:A:BUS:B2:LIN:ERRTYPE          | SYNC                 |
| TRIGGER:A:BUS:B2:LIN:IDENTIFIER:VALUE | "XXXXXX"             |
| TRIGGER:A:BUS:B2:PARALLEL:VALUE       | "XXXXXXXXXXXXXXXXXX" |
| TRIGGER:A:BUS:B2:RS232C:CONDITION     | TXSTART              |
| TRIGGER:A:BUS:B2:RS232C:RX:DATA:SIZE  | 1                    |
| TRIGGER:A:BUS:B2:RS232C:RX:DATA:VALUE | "XXXXXXXX"           |
| TRIGGER:A:BUS:B2:RS232C:TX:DATA:SIZE  | 1                    |
| TRIGGER:A:BUS:B2:RS232C:TX:DATA:VALUE | "XXXXXXXX"           |
| TRIGGER:A:BUS:B2:SPI:CONDITION        | SS                   |
| TRIGGER:A:BUS:B2:SPI:DATA:IN:VALUE    | "XXXXXXXX"           |
| TRIGGER:A:BUS:B2:SPI:DATA:OUT:VALUE   | "XXXXXXXX"           |
| TRIGGER:A:BUS:B2:SPI:DATA:SIZE        | 1                    |
| TRIGGER:A:BUS:B2:SPI:DATA:START       | 0.0E+0               |
| TRIGGER:A:BUS:B2:USB:ADDRESS:HIVALUE  | "XXXXXXXX"           |
| TRIGGER:A:BUS:B2:USB:ADDRESS:VALUE    | "XXXXXXXX"           |
| TRIGGER:A:BUS:B2:USB:CONDITION        | SYNC                 |
| TRIGGER:A:BUS:B2:USB:DATA:HIVALUE     | "XXXXXXXX"           |
| TRIGGER:A:BUS:B2:USB:DATA:OFFSET      | -1                   |
| TRIGGER:A:BUS:B2:USB:DATA:SIZE        | 1                    |
| TRIGGER:A:BUS:B2:USB:DATA:TYPE        | ANY                  |
| TRIGGER:A:BUS:B2:USB:DATA:VALUE       | "XXXXXXXX"           |
| TRIGGER:A:BUS:B2:USB:ENDPOINT:VALUE   | "XXXX"               |
| TRIGGER:A:BUS:B2:USB:ERRTYPE          | PID                  |
| TRIGGER:A:BUS:B2:USB:HANDSHAKETYPE    | ANY                  |
| TRIGGER:A:BUS:B2:USB:QUALIFIER        | EQUAL                |

Table C-1: Default Values (cont.)

| Item                                | Description    |
|-------------------------------------|----------------|
| TRIGGER:A:BUS:B2:USB:SOFFRAMENUMBER | "XXXXXXXXXXXX" |
| TRIGGER:A:BUS:B2:USB:SPECIALTYPE    | ANY            |
| TRIGGER:A:BUS:B2:USB:TOKENTYPE      | ANY            |
| TRIGGER:A:BUS:B<x>:CAN:DATA:OFFSet  | 0              |
| TRIGGER:A:BUS:B<x>:CAN:FD:BRSBIT    | X              |
| TRIGGER:A:BUS:B<x>:CAN:FD:ESIBIT    | X              |
| TRIGGER:A:BUS:SOURCE                | B1             |
| TRIGGER:A:EDGE:COUPLING             | DC             |
| TRIGGER:A:EDGE:SLOPE                | RISE           |
| TRIGGER:A:EDGE:SOURCE               | CH1            |
| TRIGGER:A:HOLDOFF:TIME              | 20.0000E-9     |
| TRIGGER:A:LEVEL                     | 0.0E+0         |
| TRIGGER:A:LEVEL:CH1                 | 0.0E+0         |
| TRIGGER:A:LEVEL:CH2                 | 0.0E+0         |
| TRIGGER:A:LEVEL:CH3                 | 0.0E+0         |
| TRIGGER:A:LEVEL:CH4                 | 0.0E+0         |
| TRIGGER:A:LEVEL:D0                  | 1.4000         |
| TRIGGER:A:LEVEL:D1                  | 1.4000         |
| TRIGGER:A:LEVEL:D10                 | 1.4000         |
| TRIGGER:A:LEVEL:D11                 | 1.4000         |
| TRIGGER:A:LEVEL:D12                 | 1.4000         |
| TRIGGER:A:LEVEL:D13                 | 1.4000         |
| TRIGGER:A:LEVEL:D14                 | 1.4000         |
| TRIGGER:A:LEVEL:D15                 | 1.4000         |
| TRIGGER:A:LEVEL:D2                  | 1.4000         |
| TRIGGER:A:LEVEL:D3                  | 1.4000         |
| TRIGGER:A:LEVEL:D4                  | 1.4000         |
| TRIGGER:A:LEVEL:D5                  | 1.4000         |
| TRIGGER:A:LEVEL:D6                  | 1.4000         |
| TRIGGER:A:LEVEL:D7                  | 1.4000         |
| TRIGGER:A:LEVEL:D8                  | 1.4000         |
| TRIGGER:A:LEVEL:D9                  | 1.4000         |
| TRIGGER:A:LOGIC:CLASS               | LOGIC          |
| TRIGGER:A:LOGIC:FUNCTION            | AND            |
| TRIGGER:A:LOGIC:INPUT:CH1           | X              |
| TRIGGER:A:LOGIC:INPUT:CH2           | X              |
| TRIGGER:A:LOGIC:INPUT:CH3           | X              |

Table C-1: Default Values (cont.)

| Item                                   | Description |
|----------------------------------------|-------------|
| TRIGGER:A:LOGIC:INPUT:CH4              | X           |
| TRIGGER:A:LOGIC:INPUT:CLOCK:EDGE       | RISE        |
| TRIGGER:A:LOGIC:INPUT:CLOCK:SOURCE     | NONE        |
| TRIGGER:A:LOGIC:INPUT:D0               | X           |
| TRIGGER:A:LOGIC:INPUT:D1               | X           |
| TRIGGER:A:LOGIC:INPUT:D10              | X           |
| TRIGGER:A:LOGIC:INPUT:D11              | X           |
| TRIGGER:A:LOGIC:INPUT:D12              | X           |
| TRIGGER:A:LOGIC:INPUT:D13              | X           |
| TRIGGER:A:LOGIC:INPUT:D14              | X           |
| TRIGGER:A:LOGIC:INPUT:D15              | X           |
| TRIGGER:A:LOGIC:INPUT:D2               | X           |
| TRIGGER:A:LOGIC:INPUT:D3               | X           |
| TRIGGER:A:LOGIC:INPUT:D4               | X           |
| TRIGGER:A:LOGIC:INPUT:D5               | X           |
| TRIGGER:A:LOGIC:INPUT:D6               | X           |
| TRIGGER:A:LOGIC:INPUT:D7               | X           |
| TRIGGER:A:LOGIC:INPUT:D8               | X           |
| TRIGGER:A:LOGIC:INPUT:D9               | X           |
| TRIGGER:A:LOGIC:PATTERN:DELTATIME      | 8.0000E-9   |
| TRIGGER:A:LOGIC:PATTERN:WHEN           | TRUE        |
| TRIGGER:A:LOGIC:PATTERN:WHEN:LESSLIMIT | 8.0000E-9   |
| TRIGGER:A:LOGIC:PATTERN:WHEN:MORELIMIT | 8.0000E-9   |
| TRIGGER:A:LOGIC:THRESHOLD:CH1          | 0.0E+0      |
| TRIGGER:A:LOGIC:THRESHOLD:CH2          | 0.0E+0      |
| TRIGGER:A:LOGIC:THRESHOLD:CH3          | 0.0E+0      |
| TRIGGER:A:LOGIC:THRESHOLD:CH4          | 0.0E+0      |
| TRIGGER:A:LOGIC:THRESHOLD:D0           | 1.4000      |
| TRIGGER:A:LOGIC:THRESHOLD:D1           | 1.4000      |
| TRIGGER:A:LOGIC:THRESHOLD:D10          | 1.4000      |
| TRIGGER:A:LOGIC:THRESHOLD:D11          | 1.4000      |
| TRIGGER:A:LOGIC:THRESHOLD:D12          | 1.4000      |
| TRIGGER:A:LOGIC:THRESHOLD:D13          | 1.4000      |
| TRIGGER:A:LOGIC:THRESHOLD:D14          | 1.4000      |
| TRIGGER:A:LOGIC:THRESHOLD:D15          | 1.4000      |
| TRIGGER:A:LOGIC:THRESHOLD:D2           | 1.4000      |
| TRIGGER:A:LOGIC:THRESHOLD:D3           | 1.4000      |

Table C-1: Default Values (cont.)

| Item                           | Description |
|--------------------------------|-------------|
| TRIGGER:A:LOGIC:THRESHOLD:D4   | 1.4000      |
| TRIGGER:A:LOGIC:THRESHOLD:D5   | 1.4000      |
| TRIGGER:A:LOGIC:THRESHOLD:D6   | 1.4000      |
| TRIGGER:A:LOGIC:THRESHOLD:D7   | 1.4000      |
| TRIGGER:A:LOGIC:THRESHOLD:D8   | 1.4000      |
| TRIGGER:A:LOGIC:THRESHOLD:D9   | 1.4000      |
| TRIGGER:A:LOWERTHRESHOLD:CH1   | 0.0E+0      |
| TRIGGER:A:LOWERTHRESHOLD:CH2   | 0.0E+0      |
| TRIGGER:A:LOWERTHRESHOLD:CH3   | 0.0E+0      |
| TRIGGER:A:LOWERTHRESHOLD:CH4   | 0.0E+0      |
| TRIGGER:A:LOWERTHRESHOLD:D0    | 1.4000      |
| TRIGGER:A:LOWERTHRESHOLD:D1    | 1.4000      |
| TRIGGER:A:LOWERTHRESHOLD:D10   | 1.4000      |
| TRIGGER:A:LOWERTHRESHOLD:D11   | 1.4000      |
| TRIGGER:A:LOWERTHRESHOLD:D12   | 1.4000      |
| TRIGGER:A:LOWERTHRESHOLD:D13   | 1.4000      |
| TRIGGER:A:LOWERTHRESHOLD:D14   | 1.4000      |
| TRIGGER:A:LOWERTHRESHOLD:D15   | 1.4000      |
| TRIGGER:A:LOWERTHRESHOLD:D2    | 1.4000      |
| TRIGGER:A:LOWERTHRESHOLD:D3    | 1.4000      |
| TRIGGER:A:LOWERTHRESHOLD:D4    | 1.4000      |
| TRIGGER:A:LOWERTHRESHOLD:D5    | 1.4000      |
| TRIGGER:A:LOWERTHRESHOLD:D6    | 1.4000      |
| TRIGGER:A:LOWERTHRESHOLD:D7    | 1.4000      |
| TRIGGER:A:LOWERTHRESHOLD:D8    | 1.4000      |
| TRIGGER:A:LOWERTHRESHOLD:D9    | 1.4000      |
| TRIGGER:A:MODE                 | AUTO        |
| TRIGGER:A:PULSE:CLASS          | WIDTH       |
| TRIGGER:A:PULSEWIDTH:HIGHLIMIT | 12.0000E-9  |
| TRIGGER:A:PULSEWIDTH:LOWLIMIT  | 8.0000E-9   |
| TRIGGER:A:PULSEWIDTH:POLARITY  | POSITIVE    |
| TRIGGER:A:PULSEWIDTH:WHEN      | LESSTHAN    |
| TRIGGER:A:PULSEWIDTH:WIDTH     | 8.0000E-9   |
| TRIGGER:A:RUNT:POLARITY        | POSITIVE    |
| TRIGGER:A:RUNT:WHEN            | OCCURS      |
| TRIGGER:A:RUNT:WIDTH           | 8.0000E-9   |
| TRIGGER:A:SETHOLD:CLOCK:EDGE   | RISE        |



Table C-1: Default Values (cont.)

| Item                              | Description |
|-----------------------------------|-------------|
| TRIGGER:A:SETHOLD:CLOCK:SOURCE    | CH1         |
| TRIGGER:A:SETHOLD:CLOCK:THRESHOLD | 0.0E+0      |
| TRIGGER:A:SETHOLD:DATA:SOURCE     | NONE        |
| TRIGGER:A:SETHOLD:DATA:THRESHOLD  | 9.91E+37    |
| TRIGGER:A:SETHOLD:HOLDTIME        | 8.0000E-9   |
| TRIGGER:A:SETHOLD:SETTIME         | 8.0000E-9   |
| TRIGGER:A:SETHOLD:THRESHOLD:CH1   | 0.0E+0      |
| TRIGGER:A:SETHOLD:THRESHOLD:CH2   | 0.0E+0      |
| TRIGGER:A:SETHOLD:THRESHOLD:CH3   | 0.0E+0      |
| TRIGGER:A:SETHOLD:THRESHOLD:CH4   | 0.0E+0      |
| TRIGGER:A:SETHOLD:THRESHOLD:D0    | 1.4000      |
| TRIGGER:A:SETHOLD:THRESHOLD:D1    | 1.4000      |
| TRIGGER:A:SETHOLD:THRESHOLD:D10   | 1.4000      |
| TRIGGER:A:SETHOLD:THRESHOLD:D11   | 1.4000      |
| TRIGGER:A:SETHOLD:THRESHOLD:D12   | 1.4000      |
| TRIGGER:A:SETHOLD:THRESHOLD:D13   | 1.4000      |
| TRIGGER:A:SETHOLD:THRESHOLD:D14   | 1.4000      |
| TRIGGER:A:SETHOLD:THRESHOLD:D15   | 1.4000      |
| TRIGGER:A:SETHOLD:THRESHOLD:D2    | 1.4000      |
| TRIGGER:A:SETHOLD:THRESHOLD:D3    | 1.4000      |
| TRIGGER:A:SETHOLD:THRESHOLD:D4    | 1.4000      |
| TRIGGER:A:SETHOLD:THRESHOLD:D5    | 1.4000      |
| TRIGGER:A:SETHOLD:THRESHOLD:D6    | 1.4000      |
| TRIGGER:A:SETHOLD:THRESHOLD:D7    | 1.4000      |
| TRIGGER:A:SETHOLD:THRESHOLD:D8    | 1.4000      |
| TRIGGER:A:SETHOLD:THRESHOLD:D9    | 1.4000      |
| TRIGGER:A:TIMEOUT:POLARITY        | STAYSHIGH   |
| TRIGGER:A:TIMEOUT:TIME            | 8.0000E-9   |
| TRIGGER:A:TRANSITION:DELTATIME    | 8.0000E-9   |
| TRIGGER:A:TRANSITION:POLARITY     | POSITIVE    |
| TRIGGER:A:TRANSITION:WHEN         | SLOWER      |
| TRIGGER:A:TYPE                    | EDGE        |
| TRIGGER:A:UPPERTHRESHOLD:CH1      | 800.0000E-3 |
| TRIGGER:A:UPPERTHRESHOLD:CH2      | 800.0000E-3 |
| TRIGGER:A:UPPERTHRESHOLD:CH3      | 800.0000E-3 |
| TRIGGER:A:UPPERTHRESHOLD:CH4      | 800.0000E-3 |
| TRIGGER:B:BY                      | TIME        |

Table C-1: Default Values (cont.)

| Item                         | Description |
|------------------------------|-------------|
| TRIGGER:B:EDGE:COUPLING      | DC          |
| TRIGGER:B:EDGE:SLOPE         | RISE        |
| TRIGGER:B:EDGE:SOURCE        | CH1         |
| TRIGGER:B:EVENTS:COUNT       | 1           |
| TRIGGER:B:LEVEL              | 0.0E+0      |
| TRIGGER:B:LEVEL:CH1          | 0.0E+0      |
| TRIGGER:B:LEVEL:CH2          | 0.0E+0      |
| TRIGGER:B:LEVEL:CH3          | 0.0E+0      |
| TRIGGER:B:LEVEL:CH4          | 0.0E+0      |
| TRIGGER:B:LEVEL:D0           | 1.4000      |
| TRIGGER:B:LEVEL:D1           | 1.4000      |
| TRIGGER:B:LEVEL:D10          | 1.4000      |
| TRIGGER:B:LEVEL:D11          | 1.4000      |
| TRIGGER:B:LEVEL:D12          | 1.4000      |
| TRIGGER:B:LEVEL:D13          | 1.4000      |
| TRIGGER:B:LEVEL:D14          | 1.4000      |
| TRIGGER:B:LEVEL:D15          | 1.4000      |
| TRIGGER:B:LEVEL:D2           | 1.4000      |
| TRIGGER:B:LEVEL:D3           | 1.4000      |
| TRIGGER:B:LEVEL:D4           | 1.4000      |
| TRIGGER:B:LEVEL:D5           | 1.4000      |
| TRIGGER:B:LEVEL:D6           | 1.4000      |
| TRIGGER:B:LEVEL:D7           | 1.4000      |
| TRIGGER:B:LEVEL:D8           | 1.4000      |
| TRIGGER:B:LEVEL:D9           | 1.4000      |
| TRIGGER:B:LOWERTHRESHOLD:CH1 | 0.0E+0      |
| TRIGGER:B:LOWERTHRESHOLD:CH2 | 0.0E+0      |
| TRIGGER:B:LOWERTHRESHOLD:CH3 | 0.0E+0      |
| TRIGGER:B:LOWERTHRESHOLD:CH4 | 0.0E+0      |
| TRIGGER:B:LOWERTHRESHOLD:D0  | 1.4000      |
| TRIGGER:B:LOWERTHRESHOLD:D1  | 1.4000      |
| TRIGGER:B:LOWERTHRESHOLD:D10 | 1.4000      |
| TRIGGER:B:LOWERTHRESHOLD:D11 | 1.4000      |
| TRIGGER:B:LOWERTHRESHOLD:D12 | 1.4000      |
| TRIGGER:B:LOWERTHRESHOLD:D13 | 1.4000      |
| TRIGGER:B:LOWERTHRESHOLD:D14 | 1.4000      |
| TRIGGER:B:LOWERTHRESHOLD:D15 | 1.4000      |

Table C-1: Default Values (cont.)

| Item                           | Description |
|--------------------------------|-------------|
| TRIGGER:B:LOWERTHRESHOLD:D2    | 1.4000      |
| TRIGGER:B:LOWERTHRESHOLD:D3    | 1.4000      |
| TRIGGER:B:LOWERTHRESHOLD:D4    | 1.4000      |
| TRIGGER:B:LOWERTHRESHOLD:D5    | 1.4000      |
| TRIGGER:B:LOWERTHRESHOLD:D6    | 1.4000      |
| TRIGGER:B:LOWERTHRESHOLD:D7    | 1.4000      |
| TRIGGER:B:LOWERTHRESHOLD:D8    | 1.4000      |
| TRIGGER:B:LOWERTHRESHOLD:D9    | 1.4000      |
| TRIGGER:B:STATE                | 0           |
| TRIGGER:B:TIME                 | 8.0000E-9   |
| TRIGGER:B:TYPE                 | EDGE        |
| VERBOSE                        | 1           |
| VIDPIC:AUTOCONTRAST            | 1           |
| VIDPIC:AUTOCONTRAST:UPDATERATE | 20          |
| ZOOM:MODE                      | 0           |
| ZOOM:ZOOM1:POSITION            | 50.0000     |
| ZOOM:ZOOM1:SCALE               | 4.0000E-6   |
| ZOOM:ZOOM1:STATE               | 0           |



# Appendix D: Waveform Transfer (WFMOutpre? and CURVe? Query) Examples

Here are several examples of command sequences using the WFMOutpre? and CURVe? queries to transfer data from the instrument to a PC, with different data sources, including Analog, Digital waveforms. Each command sequence example is followed by an explanation of the returned WFMOutpre? results. The WFMOutpre? values act as settings that apply to the CURVe query data being transferred.

---

**NOTE.** In order to guarantee that the waveform data returned from CURVe? queries of multiple waveforms are correlated to the same acquisition, you should use single sequence acquisition mode to acquire the waveform data from a single acquisition. Single sequence acquisition mode is enabled using SEQUENCE.

---

## Example 1: Analog Waveform (Channels 1–4)

Goal: Transfer 10,000 points of analog channel waveform data from the instrument to a PC.

| Command                 | Comment                                                                                                                                                                                                                                                                                                                                                                                                                                                                                                                              |
|-------------------------|--------------------------------------------------------------------------------------------------------------------------------------------------------------------------------------------------------------------------------------------------------------------------------------------------------------------------------------------------------------------------------------------------------------------------------------------------------------------------------------------------------------------------------------|
| :DATA:SOURce CH1        |                                                                                                                                                                                                                                                                                                                                                                                                                                                                                                                                      |
| :DATA:START 1           |                                                                                                                                                                                                                                                                                                                                                                                                                                                                                                                                      |
| :DATA:STOP 10000        |                                                                                                                                                                                                                                                                                                                                                                                                                                                                                                                                      |
| :WFMOutpre:ENCdg BINARY |                                                                                                                                                                                                                                                                                                                                                                                                                                                                                                                                      |
| :WFMOutpre:BYT_Nr 1     |                                                                                                                                                                                                                                                                                                                                                                                                                                                                                                                                      |
| :HEADer 1               |                                                                                                                                                                                                                                                                                                                                                                                                                                                                                                                                      |
| :WFMOutpre?             | Returns the following values. Each value represents the current settings that a CURVe? query will use to format the data that will be transferred from the instrument to a PC or other device (see next table for explanations):<br><br>:WFMOUTPRE:BYT_NR 1;BIT_NR 8;ENCDG BINARY;BN_FMT RI;BYT_OR MSB;WFID "Ch1, DC coupling, 100.0mV/div, 4.000us/div, 10000 points, Sample mode";NR_PT 10000;PT_FMT Y;PT_ORDER LINEAR;XUNIT "s";XINCR 4.0000E-9;XZERO 139.9999E-12;PT_OFF 5000;YUNIT "v";YMULT 4.0000E-3;YOFF 0.0E+0;YZERO 0.0E+0 |
| :CURVe?                 | Returns 10,000 data points:<br><br>:CURVe #510000<10,000 binary bytes of waveform data.>                                                                                                                                                                                                                                                                                                                                                                                                                                             |

---

**NOTE.** You can also use the WAVFrm? query, which concatenates the WFMOutpre? and CURVe? queries.

---

| WFMOutpre? Query results                                                     | Explanation                                                                                                                                                                                                                                                                                                                                                                                                                                   |
|------------------------------------------------------------------------------|-----------------------------------------------------------------------------------------------------------------------------------------------------------------------------------------------------------------------------------------------------------------------------------------------------------------------------------------------------------------------------------------------------------------------------------------------|
| BYT_NR 1                                                                     | This value specifies the number of bytes per data point in the waveform data. To change this value automatically, use the <a href="#">WFMOutpre:BYT_Nr</a> command. Note that changing this value automatically changes the BIT_NR value accordingly. (This value can also be set using the command.)                                                                                                                                         |
| BIT_NR 8                                                                     | This value specifies the number of bits per data point in the waveform data. To change this value, use the <a href="#">WFMOutpre:BIT_Nr</a> command. Note that changing this value automatically changes the BYT_NR value accordingly.                                                                                                                                                                                                        |
| ENCDG BINARY                                                                 | This value specifies the encoding of the waveform data. To change this value (the other possibility is ASCii), use the <a href="#">WFMOutpre:ENCdg</a> command. (This value can also be set using the <a href="#">DATA:ENCdg</a> command, which provides the ability to set the <a href="#">WFMOutpre:ENCdg</a> , <a href="#">WFMOutpre:BN_Fmt</a> , and <a href="#">WFMOutpre:BYT_Or</a> values using a single command.)                     |
| BN_FMT RI                                                                    | This value specifies the binary format, which in this case is RI (signed integer). To change this value (the other possibility is RP or positive integer), use the <a href="#">WFMOutpre:BN_Fmt</a> command. Note: this field is not applicable for ASCii encoding.                                                                                                                                                                           |
| BYT_OR MSB                                                                   | This value specifies the byte order for the BINARY encoding, which in this case is MSB (most significant byte first). To change this value to LSB, use the <a href="#">WFMOutpre:BYT_Or</a> command. Note: this field is not applicable for ASCii encoding.                                                                                                                                                                                   |
| WFID "Ch1, DC coupling, 100.0mv/div, 4.000us/div, 10000 points, Sample mode" | This quoted string represents information about the source waveform that would be returned by a <a href="#">WFMOutpre:WFid?</a> query.                                                                                                                                                                                                                                                                                                        |
| NR_PT 10000                                                                  | This value indicates the number of data points in the waveform record to be transferred using the CURVE? query. (If you would like to determine only this value, use the <a href="#">WFMOutpre:NR_Pt?</a> query.) Note: this value is typically equal to the full record length, but you also have the option to transfer only a portion of the record length by using the <a href="#">DATA:START</a> and <a href="#">DATA:STOP</a> commands. |
| PT_FMT Y                                                                     | This value indicates the format of the data points in the waveform record. In this case, the value represents YT format. This is query only – the returned values can be Y for YT format or ENV for envelope format (min/max pairs). (If you would like to determine only this value, use the <a href="#">WFMOutpre:PT_Fmt?</a> query.)                                                                                                       |
| PT_ORDER LINEAR                                                              | This value is LINEAR or ROW.                                                                                                                                                                                                                                                                                                                                                                                                                  |
| XUNIT "s"                                                                    | This value indicates the units of the x-axis of the waveform record. This is determined by the horizontal settings for the waveform source. Typically, this value is "s", representing seconds. When using the math waveform as a source, the value can be "s" or "Hz". This is query only. (If you would like to determine only this value, use the <a href="#">WFMOutpre:XUNit?</a> query.)                                                 |
| XINCR 4.0000E-9                                                              | This value indicates the time, in seconds, or frequency, in hertz, between data points in the waveform record. This is query only. (If you would like to determine only this value, use the <a href="#">WFMOutpre:XINcr?</a> query.)                                                                                                                                                                                                          |
| XZERO 139.9999E-12                                                           | This value indicates the sub-sample time between the trigger sample (designated by PT_OFF) and the occurrence of the actual trigger in the waveform record. The value is in units of WFMOutpre:XUNit. This is query only. (If you would like to determine only this value, use the <a href="#">WFMOutpre:XZEro?</a> query.)                                                                                                                   |
| PT_OFF 5000                                                                  | This value indicates the data point immediately following the trigger point relative to DATA:START in the waveform record. This is a query only. (If you would like to determine only this value, use the <a href="#">WFMOutpre:PT_Off?</a> query.)                                                                                                                                                                                           |



| WFMOupre? Query results                                              | Explanation                                                                                                                                                                                                                                                                                                                                                                                                                                                  |
|----------------------------------------------------------------------|--------------------------------------------------------------------------------------------------------------------------------------------------------------------------------------------------------------------------------------------------------------------------------------------------------------------------------------------------------------------------------------------------------------------------------------------------------------|
| WFMOUPRE:BYT_Nr 1                                                    | This value specifies the number of bytes per data point in the waveform data. To change this value automatically, use the <a href="#">WFMOupre:BYT_Nr</a> command. Note that changing this value automatically changes the BIT_Nr value accordingly. (This value can also be set using the <a href="#">DATA:WIDTH</a> command.)                                                                                                                              |
| BIT_Nr 8                                                             | This value specifies the number of bits per data point in the waveform data. To change this value, use the <a href="#">WFMOupre:BIT_Nr</a> command. Note that changing this value automatically changes the BYT_Nr value accordingly.                                                                                                                                                                                                                        |
| ENCDG ASCII                                                          | This value specifies the encoding of the waveform data. To change this value (the other possibility is BINARY), use the <a href="#">WFMOupre:ENCDg</a> command. (This value can also be set using the <a href="#">DATA:ENCDg</a> command, which provides the ability to set the <a href="#">WFMOupre:ENCDg</a> , <a href="#">WFMOupre:BN_Fmt</a> , and <a href="#">WFMOupre:BYT_Or</a> values using a single command.)                                       |
| BN_FMT RI                                                            | This value specifies the binary format, which in this case is RI (signed integer). To change this value (the other possibility is RP or positive integer), use the <a href="#">WFMOupre:BN_Fmt</a> command. Note: this field is not applicable for ASCII encoding.                                                                                                                                                                                           |
| BYT_OR MSB                                                           | This value specifies the byte order for the BINARY encoding, which in this case is MSB (most significant byte first, also known as IBM format). To change this value to LSB, use the <a href="#">WFMOupre:BYT_Or</a> command. Note: this field is not applicable for ASCII encoding.                                                                                                                                                                         |
| WFID "D5, unknown coupling, 100.0us/div, 10000 points, Digital mode" | This quoted string represents information about the source waveform that would be returned by a <a href="#">WFMOupre:WFID?</a> query. It cannot be changed.                                                                                                                                                                                                                                                                                                  |
| NR_PT 25                                                             | This value indicates the number of data points in the waveform record to be transferred using the <a href="#">CURVE?</a> query. (If you would like to determine only this value, use the <a href="#">WFMOupre:NR_Pt?</a> query.) Note: this value is typically equal to the full record length, but you also have the option to transfer only a portion of the record length by using the <a href="#">DATA:STARt</a> and <a href="#">DATA:STOP</a> commands. |
| PT_FMT Y                                                             | This value indicates the format of the data points in the waveform record. In this case, the value represents YT format. This is query only. (If you would like to determine only this value, use the <a href="#">WFMOupre:PT_Fmt?</a> query.)                                                                                                                                                                                                               |
| PT_ORDER LINEAR                                                      | This value is always <a href="#">LINEar</a> .                                                                                                                                                                                                                                                                                                                                                                                                                |
| XUNIT "s"                                                            | This value indicates the units of the x-axis of the waveform record. This is determined by the horizontal settings for the waveform source. Typically, this value is "s", representing seconds. When using the math waveform as a source, the value can be "s" or "Hz". This is query only. (If you would like to determine only this value, use the <a href="#">WFMOupre:XUNit?</a> query.)                                                                 |
| XINCR 100.0000E-9                                                    | This value indicates the time, in seconds, or frequency, in hertz, between data points in the waveform record. This is query only. (If you would like to determine only this value, use the <a href="#">WFMOupre:XINcr?</a> query.)                                                                                                                                                                                                                          |
| XZERO 155.000E-12                                                    | This value indicates the sub-sample time between the trigger sample (designated by <a href="#">PT_OFF</a> ) and the occurrence of the actual trigger in the waveform record. The value is in units of <a href="#">WFMOupre:XUNit</a> . This is query only. (If you would like to determine only this value, use the <a href="#">WFMOupre:XZEro?</a> query.)                                                                                                  |
| PT_OFF 5000                                                          | This value indicates the data point immediately following the trigger point relative to <a href="#">DATA:STARt</a> in the waveform record.(If you would like to determine only this value, use the <a href="#">WFMOupre:PT_Off?</a> query.)                                                                                                                                                                                                                  |



| WFMOUtpre? Query results | Explanation                                                                                                                                                                                                                                                                                                                    |
|--------------------------|--------------------------------------------------------------------------------------------------------------------------------------------------------------------------------------------------------------------------------------------------------------------------------------------------------------------------------|
| YUNIT "State"            | This value indicates the vertical units of data points in the waveform record. This can be any of several string values, depending upon the vertical units of the source waveform – in this case, State. This is query only. (If you would like to determine only this value, use the <a href="#">WFMOUtpre:YUNit?</a> query.) |
| YMULT 1.0000             | This value indicates the multiplying factor to convert the data point values from digitizing levels to the units specified by the <code>WFMOUtpre:YUNit</code> command. This is query only. (If you would like to determine only this value, use the <a href="#">WFMOUtpre:YMUIt?</a> query.)                                  |
| YOFF 0.0E+0              | This value indicates the vertical position of the source waveform in digitizing levels. There are 25 digitizing levels per vertical division. This is query only. (If you would like to determine only this value, use the <a href="#">WFMOUtpre:YOFF?</a> query.)                                                             |
| YZERO 0.0E+0             | This value indicates the vertical offset of the source waveform in units specified by the <code>WFMOUtpre:YUNit</code> command. This is query only. (If you would like to determine only this value, use the <a href="#">WFMOUtpre:YZero?</a> query.)                                                                          |

### Example 3: Digital with 4 Bytes Per Point and Zoom Off

Goal: Transfer 25 points of Digital data from the instrument to a PC using 4 bytes per point and Zoom off.

| Command                             | Comment                                                                                                                                                                                                                                                                                                                                                                                                                                                                                                                                                    |
|-------------------------------------|------------------------------------------------------------------------------------------------------------------------------------------------------------------------------------------------------------------------------------------------------------------------------------------------------------------------------------------------------------------------------------------------------------------------------------------------------------------------------------------------------------------------------------------------------------|
| <code>:DATA:SOURce CH1_D1</code>    |                                                                                                                                                                                                                                                                                                                                                                                                                                                                                                                                                            |
| <code>:ACQuire:MAGnivu 0</code>     |                                                                                                                                                                                                                                                                                                                                                                                                                                                                                                                                                            |
| <code>:DATA:START 1</code>          |                                                                                                                                                                                                                                                                                                                                                                                                                                                                                                                                                            |
| <code>:DATA:STOP 25</code>          |                                                                                                                                                                                                                                                                                                                                                                                                                                                                                                                                                            |
| <code>:WFMOUtpre:ENCdg ASCii</code> |                                                                                                                                                                                                                                                                                                                                                                                                                                                                                                                                                            |
| <code>:WFMOUtpre:BYT_Nr 4</code>    |                                                                                                                                                                                                                                                                                                                                                                                                                                                                                                                                                            |
| <code>:HEADer 1</code>              |                                                                                                                                                                                                                                                                                                                                                                                                                                                                                                                                                            |
| <code>:VERBose 1</code>             |                                                                                                                                                                                                                                                                                                                                                                                                                                                                                                                                                            |
| <code>:WFMOUtpre?</code>            | Returns the following values. Each value represents the current settings that a <code>CURVe?</code> query will use to format the data that will be transferred from the instrument to a PC or other device (see next table for explanations):<br><br><code>:WFMOUtpre:BYT_Nr 4;BIT_Nr 32;ENCdg ASCII;BN_FMT RI;BYT_OR MSB;WFID "Digital, unknown coupling, 100.0us/div, 10000 points, Digital mode";NR_PT 25;PT_FMT Y;PT_ORDER LINEAR;XUNIT "s";XINCR 100.0000E-9;XZERO 155.000E-12;PT_OFF 5000;YUNIT "State";YMULT 1.0000;YOFF 0.0E+0;YZERO 0.0E+0</code> |
| <code>:CURVe?</code>                | Returns the following values. Each value represents a data point:<br><br><code>:CURVe<br/>FB386,FB366,FB3E6,FB366,FB3E6,FB32E,FB3A2,FB32E,FB3AA,FB366,FB3EA,FB366,FB3E2,FB36,FB3E6,FB366,FB3E6,FB346,FB3C6,FB346,FB3C6,FB34E,FB3C2,FB34E,FB3CA</code>                                                                                                                                                                                                                                                                                                      |

---

**NOTE.** The returned hexadecimal data values are formatted without leading zeroes. For example, a 4-byte digital value of FB386 should be interpreted as 000FB386.

---



---

**NOTE.** You can also use the *WAVFrm?* query, which concatenates the *WFMOupre?* and *CURVe?* queries.

---

| WFMOupre? Query results                                                   | Explanation                                                                                                                                                                                                                                                                                                                                                                                                                                                  |
|---------------------------------------------------------------------------|--------------------------------------------------------------------------------------------------------------------------------------------------------------------------------------------------------------------------------------------------------------------------------------------------------------------------------------------------------------------------------------------------------------------------------------------------------------|
| WFMOUPRE:BYT_NR 4                                                         | This value specifies the number of bytes per data point in the waveform data. To change this value automatically, use the <a href="#">WFMOupre:BYT_Nr</a> command. Note that changing this value automatically changes the BIT_NR value accordingly. (This value can also be set using the <a href="#">DATA:WIDTH</a> command.)                                                                                                                              |
| BIT_NR 32                                                                 | This value specifies the number of bits per data point in the waveform data. To change this value, use the <a href="#">WFMOupre:BIT_Nr</a> command. Note that changing this value automatically changes the BYT_NR value accordingly.                                                                                                                                                                                                                        |
| ENCDG ASCII                                                               | This value specifies the encoding of the waveform data. To change this value (the other possibility is BINARY), use the <a href="#">WFMOupre:ENCDg</a> command. (This value can also be set using the <a href="#">DATA:ENCDg</a> command, which provides the ability to set the <a href="#">WFMOupre:ENCDg</a> , <a href="#">WFMOupre:BN_Fmt</a> , and <a href="#">WFMOupre:BYT_Or</a> values using a single command.)                                       |
| BN_FMT RI                                                                 | This value specifies the binary format, which in this case is RI (signed integer). To change this value (the other possibility is RP or positive integer), use the <a href="#">WFMOupre:BN_Fmt</a> command. Note: this field is not applicable for ASCII encoding.                                                                                                                                                                                           |
| BYT_OR MSB                                                                | This value specifies the byte order for the BINARY encoding, which in this case is MSB (most significant byte first, also known as IBM format). To change this value to LSB, use the <a href="#">WFMOupre:BYT_Or</a> command. Note: this field is not applicable for ASCII encoding.                                                                                                                                                                         |
| WFID "Digital, unknown coupling, 100.0us/div, 10000 points, Digital mode" | This quoted string represents information about the source waveform that would be returned by a <a href="#">WFMOupre:WFID?</a> query. It cannot be changed.                                                                                                                                                                                                                                                                                                  |
| NR_PT 25                                                                  | This value indicates the number of data points in the waveform record to be transferred using the <a href="#">CURVE?</a> query. (If you would like to determine only this value, use the <a href="#">WFMOupre:NR_Pt?</a> query.) Note: this value is typically equal to the full record length, but you also have the option to transfer only a portion of the record length by using the <a href="#">DATA:START</a> and <a href="#">DATA:STOP</a> commands. |
| PT_FMT Y                                                                  | This value indicates the format of the data points in the waveform record. In this case, the value represents YT format. This is query only – the returned values can be Y for YT format or ENV for envelope format (min/max pairs). (If you would like to determine only this value, use the <a href="#">WFMOupre:PT_Fmt?</a> query.)                                                                                                                       |
| PT_ORDER LINEAR                                                           | This value is always LINEar.                                                                                                                                                                                                                                                                                                                                                                                                                                 |
| XUNIT "s"                                                                 | This value indicates the units of the x-axis of the waveform record. This is determined by the horizontal settings for the waveform source. For live channels, this value is "s", representing seconds. When using the math waveform as a source, the value can be "s" or "Hz". This is query only. (If you would like to determine only this value, use the <a href="#">WFMOupre:XUNIT?</a> query.)                                                         |

| WFMOUtpre? Query results | Explanation                                                                                                                                                                                                                                                                                                                    |
|--------------------------|--------------------------------------------------------------------------------------------------------------------------------------------------------------------------------------------------------------------------------------------------------------------------------------------------------------------------------|
| XINCR 100.0000E-9        | This value indicates the time, in seconds, or frequency, in hertz, between data points in the waveform record. This is query only. (If you would like to determine only this value, use the <a href="#">WFMOUtpre:XINcr?</a> query.)                                                                                           |
| XZERO 155.000E-12        | This value indicates the sub-sample time between the trigger sample (designated by PT_OFF) and the occurrence of the actual trigger in the waveform record. The value is in units of WFMOUtpre:XUNit. This is query only. (If you would like to determine only this value, use the <a href="#">WFMOUtpre:XZEro?</a> query.)    |
| PT_OFF 5000              | This value indicates the data point immediately following the trigger point relative to DATA:START in the waveform record. (If you would like to determine only this value, use the <a href="#">WFMOUtpre:PT_Off?</a> query.)                                                                                                  |
| YUNIT "State"            | This value indicates the vertical units of data points in the waveform record. This can be any of several string values, depending upon the vertical units of the source waveform – in this case, State. This is query only. (If you would like to determine only this value, use the <a href="#">WFMOUtpre:YUNit?</a> query.) |
| YMULT 1.0000             | This value indicates the multiplying factor to convert the data point values from digitizing levels to the units specified by the WFMOUtpre:YUNit command. This is query only. (If you would like to determine only this value, use the <a href="#">WFMOUtpre:YMUIt?</a> query.)                                               |
| YOFF 0.0E+0              | This value indicates the vertical position of the source waveform in digitizing levels. There are 25 digitizing levels per vertical division. This is query only. (If you would like to determine only this value, use the <a href="#">WFMOUtpre:YOff?</a> query.)                                                             |
| YZERO 0.0E+0             | This value indicates the vertical offset of the source waveform in units specified by the WFMOUtpre:YUNit command. This is query only. (If you would like to determine only this value, use the <a href="#">WFMOUtpre:YZEro?</a> query.)                                                                                       |

## Example 4: Digital with 8 Bytes Per Point and Zoom Off

Goal: Transfer 25 points of Digital data from the instrument to a PC using 8 bytes per point and Zoom off.

| Command                | Comment |
|------------------------|---------|
| :DATA:SOURce CH1_D1    |         |
| :ACQuire:MAGnivu 0     |         |
| :DATA:START 1          |         |
| :DATA:STOP 25          |         |
| :WFMOUtpre:ENCdg ASCii |         |
| :WFMOUtpre:BYT_Nr 8    |         |
| :HEADer 1              |         |
| :VERBose 1             |         |



| WFMOUtpre? Query results                                                  | Explanation                                                                                                                                                                                                                                                                                                                                                                                                                                                |
|---------------------------------------------------------------------------|------------------------------------------------------------------------------------------------------------------------------------------------------------------------------------------------------------------------------------------------------------------------------------------------------------------------------------------------------------------------------------------------------------------------------------------------------------|
| WFID "Digital, unknown coupling, 100.0us/div, 10000 points, Digital mode" | This quoted string represents information about the source waveform that would be returned by a <code>WFMOUtpre:WFID?</code> query. It cannot be changed.                                                                                                                                                                                                                                                                                                  |
| NR_PT 25                                                                  | This value indicates the number of data points in the waveform record to be transferred using the <code>CURVe?</code> query. (If you would like to determine only this value, use the <a href="#">WFMOUtpre:NR_Pt?</a> query.) Note: this value is typically equal to the full record length, but you also have the option to transfer only a portion of the record length by using the <a href="#">DATA:START</a> and <a href="#">DATA:STOP</a> commands. |
| PT_FMT Y                                                                  | This value indicates the format of the data points in the waveform record. In this case, the value represents YT format. This is query only – the returned values can be Y for YT format or ENV for envelope format (min/max pairs). (If you would like to determine only this value, use the <a href="#">WFMOUtpre:PT_Fmt?</a> query.)                                                                                                                    |
| PT_ORDER LINEAR                                                           | This value is always <code>LINEAR</code> .                                                                                                                                                                                                                                                                                                                                                                                                                 |
| XUNIT "s"                                                                 | This value indicates the units of the x-axis of the waveform record. This is determined by the horizontal settings for the waveform source. Typically, this value is "s", representing seconds. When using the math waveform as a source, the value can be "s" or "Hz". This is query only. (If you would like to determine only this value, use the <a href="#">WFMOUtpre:XUNit?</a> query.)                                                              |
| XINCR 100.0000E-9                                                         | This value indicates the time, in seconds, or frequency, in hertz, between data points in the waveform record. This is query only. (If you would like to determine only this value, use the <a href="#">WFMOUtpre:XINcr?</a> query.)                                                                                                                                                                                                                       |
| XZERO 155.000E-12                                                         | This value indicates the sub-sample time between the trigger sample (designated by <code>PT_OFF</code> ) and the occurrence of the actual trigger in the waveform record. The value is in units of <code>WFMOUtpre:XUNit</code> . This is query only. (If you would like to determine only this value, use the <a href="#">WFMOUtpre:XZEro?</a> query.)                                                                                                    |
| PT_OFF 5000                                                               | This value indicates the data point immediately following the trigger point relative to <code>DATA:START</code> in the waveform record. (If you would like to determine only this value, use the <a href="#">WFMOUtpre:PT_Off?</a> query.)                                                                                                                                                                                                                 |
| YUNIT "State"                                                             | This value indicates the vertical units of data points in the waveform record. This can be any of several string values, depending upon the vertical units of the source waveform – in this case, State. This is query only. (If you would like to determine only this value, use the <a href="#">WFMOUtpre:YUNit?</a> query.)                                                                                                                             |
| YMULT 1.0000                                                              | This value indicates the multiplying factor to convert the data point values from digitizing levels to the units specified by the <code>WFMOUtpre:YUNit</code> command. This is query only. (If you would like to determine only this value, use the <a href="#">WFMOUtpre:YMUlt?</a> query.)                                                                                                                                                              |
| YOFF 0.0E+0                                                               | This value indicates the vertical position of the source waveform in digitizing levels. There are 25 digitizing levels per vertical division. This is query only. (If you would like to determine only this value, use the <a href="#">WFMOUtpre:YOff?</a> query.)                                                                                                                                                                                         |
| YZERO 0.0E+0                                                              | This value indicates the vertical offset of the source waveform in units specified by the <code>WFMOUtpre:YUNit</code> command. This is query only. (If you would like to determine only this value, use the <a href="#">WFMOUtpre:YZEro?</a> query.)                                                                                                                                                                                                      |

## Example 5: Digital with 4 Bytes Per Point and Zoom On

Goal: Transfer 25 points of Digital data from the instrument to a PC using 4 bytes per point and Zoom on.

| Command                | Comment                                                                                                                                                                                                                                                                                                                                                                                                                                                                                                                        |
|------------------------|--------------------------------------------------------------------------------------------------------------------------------------------------------------------------------------------------------------------------------------------------------------------------------------------------------------------------------------------------------------------------------------------------------------------------------------------------------------------------------------------------------------------------------|
| :DATA:SOURce CH1_D1    |                                                                                                                                                                                                                                                                                                                                                                                                                                                                                                                                |
| :ACQuire:MAGnivu 1     |                                                                                                                                                                                                                                                                                                                                                                                                                                                                                                                                |
| :DATA:START 1          |                                                                                                                                                                                                                                                                                                                                                                                                                                                                                                                                |
| :DATA:STOP 25          |                                                                                                                                                                                                                                                                                                                                                                                                                                                                                                                                |
| :WFMOutpre:ENCdg ASCii |                                                                                                                                                                                                                                                                                                                                                                                                                                                                                                                                |
| :WFMOutpre:BYT_Nr 4    |                                                                                                                                                                                                                                                                                                                                                                                                                                                                                                                                |
| :HEADer 1              |                                                                                                                                                                                                                                                                                                                                                                                                                                                                                                                                |
| :VERBose 1             |                                                                                                                                                                                                                                                                                                                                                                                                                                                                                                                                |
| :WFMOutpre?            | Returns the following values. Each value represents the current settings that a CURVe? query will use to format the data that will be transferred from the instrument to a PC or other device (see next table for explanations):<br><br>:WFMOUTPRE:BYT_NR 4;BIT_NR 32;ENCDG ASCII;BN_FMT RI;BYT_OR MSB;WFID "Digital, unknown coupling, 100.0us/div, 10000 points, Digital mode";NR_PT 25;PT_FMT Y;PT_ORDER LINEAR;XUNIT "s";XINCR 1.2121E-9;XZERO 155.000E-12;PT_OFF 5000;YUNIT "State";YMULT 1.0000;YOFF 0.0E+0;YZERO 0.0E+0 |
| :CURVe?                | Returns the following values. Each value represents a data point:<br><br>:CURVE<br>FB6E6,FB666,FB6E6,FB666,FB666,FB6E6,FB666,FB6E6,FB666,FB666,FB6E6,FB666,FB6E6,FB666,FB666,FB6E6,FB666,FB666,FB6E6,FB666,FB666                                                                                                                                                                                                                                                                                                               |

**NOTE.** The returned hexadecimal data values are formatted without leading zeroes.

**NOTE.** You can also use the *WAVFrm?* query, which concatenates the *WFMOutpre?* and *CURVe?* queries.

| WFMOutpre? Query results | Explanation                                                                                                                                                                                                                                                                                                                      |
|--------------------------|----------------------------------------------------------------------------------------------------------------------------------------------------------------------------------------------------------------------------------------------------------------------------------------------------------------------------------|
| WFMOUTPRE:BYT_NR 4       | This value specifies the number of bytes per data point in the waveform data. To change this value automatically, use the <a href="#">WFMOutpre:BYT_Nr</a> command. Note that changing this value automatically changes the BIT_NR value accordingly. (This value can also be set using the <a href="#">DATA:WIDTH</a> command.) |
| BIT_NR 32                | This value specifies the number of bits per data point in the waveform data. To change this value, use the <a href="#">WFMOutpre:BIT_Nr</a> command. Note that changing this value automatically changes the BYT_NR value accordingly.                                                                                           |

| WFMOutpre? Query results                                                  | Explanation                                                                                                                                                                                                                                                                                                                                                                                                                                   |
|---------------------------------------------------------------------------|-----------------------------------------------------------------------------------------------------------------------------------------------------------------------------------------------------------------------------------------------------------------------------------------------------------------------------------------------------------------------------------------------------------------------------------------------|
| ENCDG ASCII                                                               | This value specifies the encoding of the waveform data. To change this value (the other possibility is BINARY), use the <a href="#">WFMOutpre:ENCdg</a> command. (This value can also be set using the <a href="#">DATA:ENCdg</a> command, which provides the ability to set the <a href="#">WFMOutpre:ENCdg</a> , <a href="#">WFMOutpre:BN_Fmt</a> , and <a href="#">WFMOutpre:BYT_Or</a> values using a single command.)                    |
| BN_FMT RI                                                                 | This value specifies the binary format, which in this case is RI (signed integer). To change this value (the other possibility is RP or positive integer), use the <a href="#">WFMOutpre:BN_Fmt</a> command. Note: this field is not applicable for ASCII encoding.                                                                                                                                                                           |
| BYT_OR MSB                                                                | This value specifies the byte order for the BINARY encoding, which in this case is MSB (most significant byte first, also known as IBM format). To change this value to LSB, use the <a href="#">WFMOutpre:BYT_Or</a> command. Note: this field is not applicable for ASCII encoding.                                                                                                                                                         |
| WFID "Digital, unknown coupling, 100.0us/div, 10000 points, Digital mode" | This quoted string represents information about the source waveform that would be returned by a <a href="#">WFMOutpre:WFid?</a> query. It cannot be changed.                                                                                                                                                                                                                                                                                  |
| NR_PT 25                                                                  | This value indicates the number of data points in the waveform record to be transferred using the CURVE? query. (If you would like to determine only this value, use the <a href="#">WFMOutpre:NR_Pt?</a> query.) Note: this value is typically equal to the full record length, but you also have the option to transfer only a portion of the record length by using the <a href="#">DATA:START</a> and <a href="#">DATA:STOP</a> commands. |
| PT_FMT Y                                                                  | This value indicates the format of the data points in the waveform record. In this case, the value represents YT format. This is query only – the returned values can be Y for YT format or ENV for envelope format (min/max pairs). (If you would like to determine only this value, use the <a href="#">WFMOutpre:PT_Fmt?</a> query.)                                                                                                       |
| PT_ORDER LINEAR                                                           | This value is always LINEar.                                                                                                                                                                                                                                                                                                                                                                                                                  |
| XUNIT "s"                                                                 | This value indicates the units of the x-axis of the waveform record. This is determined by the horizontal settings for the waveform source. Typically, this value is "s", representing seconds. When using the math waveform as a source, the value can be "s" or "Hz". This is query only. (If you would like to determine only this value, use the <a href="#">WFMOutpre:XUNit?</a> query.)                                                 |
| XINCR 1.2121E-9                                                           | This value indicates the time, in seconds, or frequency, in hertz, between data points in the waveform record. This is query only. (If you would like to determine only this value, use the <a href="#">WFMOutpre:XINcr?</a> query.)                                                                                                                                                                                                          |
| XZERO 155.000E-12                                                         | This value indicates the sub-sample time between the trigger sample (designated by PT_OFF) and the occurrence of the actual trigger in the waveform record. The value is in units of <a href="#">WFMOutpre:XUNit</a> . This is query only. (If you would like to determine only this value, use the <a href="#">WFMOutpre:XZEro?</a> query.)                                                                                                  |
| PT_OFF 5000                                                               | This value indicates the data point immediately following the trigger point relative to <a href="#">DATA:STARt</a> in the waveform record. (If you would like to determine only this value, use the <a href="#">WFMOutpre:PT_Off?</a> query.)                                                                                                                                                                                                 |
| YUNIT "State"                                                             | This value indicates the vertical units of data points in the waveform record. This can be any of several string values, depending upon the vertical units of the source waveform – in this case, State. This is query only. (If you would like to determine only this value, use the <a href="#">WFMOutpre:YUNit?</a> query.)                                                                                                                |
| YMULT 1.0000                                                              | This value indicates the multiplying factor to convert the data point values from digitizing levels to the units specified by the <a href="#">WFMOutpre:YUNit</a> command. This is query only. (If you would like to determine only this value, use the <a href="#">WFMOutpre:YMUlt?</a> query.)                                                                                                                                              |

| WFMOupre? Query results | Explanation                                                                                                                                                                                                                                                       |
|-------------------------|-------------------------------------------------------------------------------------------------------------------------------------------------------------------------------------------------------------------------------------------------------------------|
| YOFF 0.0E+0             | This value indicates the vertical position of the source waveform in digitizing levels. There are 25 digitizing levels per vertical division. This is query only. (If you would like to determine only this value, use the <a href="#">WFMOupre:YOFF?</a> query.) |
| YZERO 0.0E+0            | This value indicates the vertical offset of the source waveform in units specified by the <code>WFMOupre:YUNIT</code> command. This is query only. (If you would like to determine only this value, use the <a href="#">WFMOupre:YZero?</a> query.)               |

## Example 6: RF Frequency Domain Waveform

Goal: Transfer 5 points of RF frequency domain data from the instrument to a PC using 8 bytes per point.

**NOTE.** A frequency domain waveform used in data transfer from the instrument to a PC or other device may be one of the four RF frequency domain traces or the Spectrum Math waveform.

| Command                    | Comment                                                                                                                                                                                                                                                                                                                                                                                                                                                                                                                                                                                                                                                                                       |
|----------------------------|-----------------------------------------------------------------------------------------------------------------------------------------------------------------------------------------------------------------------------------------------------------------------------------------------------------------------------------------------------------------------------------------------------------------------------------------------------------------------------------------------------------------------------------------------------------------------------------------------------------------------------------------------------------------------------------------------|
| :DATA:SOURce CH1_SV_NORMal |                                                                                                                                                                                                                                                                                                                                                                                                                                                                                                                                                                                                                                                                                               |
| :DATA:START 495            |                                                                                                                                                                                                                                                                                                                                                                                                                                                                                                                                                                                                                                                                                               |
| :DATA:STOP 505             |                                                                                                                                                                                                                                                                                                                                                                                                                                                                                                                                                                                                                                                                                               |
| :WFMOupre:ENCDg ASCII      |                                                                                                                                                                                                                                                                                                                                                                                                                                                                                                                                                                                                                                                                                               |
| :WFMOupre:BYT_Nr 8         |                                                                                                                                                                                                                                                                                                                                                                                                                                                                                                                                                                                                                                                                                               |
| :HEADer 1                  |                                                                                                                                                                                                                                                                                                                                                                                                                                                                                                                                                                                                                                                                                               |
| :VERBose 1                 |                                                                                                                                                                                                                                                                                                                                                                                                                                                                                                                                                                                                                                                                                               |
| :WFMOupre?                 | Returns the following values. Each value represents the current settings that a CURVe? query will use to format the data that will be transferred from the instrument to a PC or other device (see next table for explanations):<br>:WFMOUPRE:BYT_NR 8;BIT_NR 64;ENCDG ASCII;BN_FMT FP;BYT_OR MSB;WFID "RF_NORMAL, unknown coupling, 10.00w/div, 200.0MHz/div, 1001 points, Sample mode, Center Freq: 2.400GHz, Span: 2.000GHz, Reference Level: 1.000mw";NR_PT 21;PT_FMT Y;PT_ORDER LINEAR;XUNIT "Hz";XINCR 2.0000E+6;XZERO 1.4000E+9;PT_OFF 0;YUNIT "w";YMULT 1.5625E-3;YOFF 0.0E+0;YZERO 0.0E+0;DOMAIN FREQUENCY;WFMTYPE RF_FD;CENTERFREQUENCY 2.4000E+9;SPAN 2.0000E+9;REFLEVEL 1.0000E-3 |
| :CURVe?                    | Returns the following values. Each value represents a data point:<br>:CURVE<br>2.43108E-10,1.62648E-10,2.78478E-10,4.15163E-10,7.66223E-10,7.63905E-10,3.68375E-10,3.42668E-10,3.06422E-10,1.81561E-10,2.0223E-10,4.24327E-10,1.95298E-10,2.1304E-10,9.41791E-11,4.56513E-10,4.33067E-10,6.57215E-11,1.65388E-10,9.09116E-10,5.39507E-10                                                                                                                                                                                                                                                                                                                                                      |



| WFMOupre? Query results                                                                                                                                     | Explanation                                                                                                                                                                                                                                                                                                                                                                |
|-------------------------------------------------------------------------------------------------------------------------------------------------------------|----------------------------------------------------------------------------------------------------------------------------------------------------------------------------------------------------------------------------------------------------------------------------------------------------------------------------------------------------------------------------|
| BYT_NR 8                                                                                                                                                    | This value specifies the number of bytes per data point in the waveform data. This value is fixed for RF frequency domain traces.                                                                                                                                                                                                                                          |
| BIT_NR 64                                                                                                                                                   | This value specifies the number of bits per data point in the waveform data. This value is fixed for RF frequency domain traces.                                                                                                                                                                                                                                           |
| ENCDG ASCII                                                                                                                                                 | This value specifies the encoding of the waveform data. To change this value (the other possibility for RF frequency domain traces is FPBINARY), use the WFMOupre:ENCDg command. This value can also be set using the DATa:ENCDg command.                                                                                                                                  |
| BN_FMT FP                                                                                                                                                   | This value specifies the binary format, which in this case is FP (floating point). This value is fixed for RF frequency domain traces. Note: This field is not applicable for ASCII encoding.                                                                                                                                                                              |
| BYT_OR MSB                                                                                                                                                  | This value specifies the byte order for the BINARY encoding, which in this case is MSB (most significant byte first, also known as IBM format). To change this value to LSB, use the WFMOupre:BYT_Or command. Note: This field is not applicable for ASCII encoding.                                                                                                       |
| WFID "CH1_SV_NORMAl, unknown coupling, 10.00W/div, 200.0MHz/div, 1001 points, Sample mode, Center Freq: 2.400GHz, Span: 2.000GHz, Reference Level: 1.000mW" | This quoted string represents information about the source waveform that would be returned by a WFMOupre:WFId? Query. It cannot be changed.                                                                                                                                                                                                                                |
| NR_PT 21                                                                                                                                                    | This value indicates the number of data points in the waveform record. (If you would like to determine only this value, use the WFMOupre:NR_Pt? query.) Note: This value is typically equal to the full record length of the RF frequency domain trace, but you also have the option to transfer only a portion of the record using the DATs:START and DATa:STOP commands. |
| PT_FMT Y                                                                                                                                                    | This value indicates the format of the data points in the waveform record. In this case, the value represents YF (Amplitude vs. Frequency) format. This is query only. (If you would like to determine only this value, use the WFMOupre:PT_Fmt? query.)                                                                                                                   |
| PT_ORDER LINEAR .                                                                                                                                           | This value is always LINear                                                                                                                                                                                                                                                                                                                                                |
| XUNIT "Hz"                                                                                                                                                  | This value indicates the units of the x-axis of the waveform record. This value is always "Hz" for RF frequency domain traces. This is query only. (If you would like to determine only this value, use the WFMOupre:XUNit? query.)                                                                                                                                        |
| XINCR 2.0000E+6                                                                                                                                             | This value indicates the frequency, in hertz, between data points in the waveform record. This is query only. (If you would like to determine only this value, use the WFMOupre:XINcr? query.)                                                                                                                                                                             |
| XZERO 1.4000E+9                                                                                                                                             | This value indicates the frequency, in hertz, of the first data point in the waveform record. This frequency is relative to the time of the trigger, which is always 0. This XZEro frequency can be negative. This is query only. (If you would like to determine only this value, use the WFMOupre:XZEro? query.)                                                         |
| PT_OFF 0                                                                                                                                                    | This is a query provided only for compatibility with other Tektronix instruments. The returned value is always 0. (If you would like to determine only this value, use the WFMOupre:PT_Off? query.)                                                                                                                                                                        |
| YUNIT "W"                                                                                                                                                   | This value indicates the units of data points in the waveform record. This value depends on the vertical units of the source waveform – in this case, watts. This is query only. (If you would like to determine only this value, use the WFMOupre:YUNit? query.)                                                                                                          |
| YMULT 1.5625E-3                                                                                                                                             | This value indicates the multiplying factor to convert the data point values to the units specified by the:WFMOupre:YUNit command. This is query only. (If you would like to determine only this value, use the WFMOupre:YMUlt? query.)                                                                                                                                    |

|                           |                                                                                                                                                                                                                                                                                                                                                                                                                                                    |
|---------------------------|----------------------------------------------------------------------------------------------------------------------------------------------------------------------------------------------------------------------------------------------------------------------------------------------------------------------------------------------------------------------------------------------------------------------------------------------------|
| YOFF 0.0E+0               | This value indicates the vertical position of the source waveform. This value is unused for RF frequency domain traces and is always 0.                                                                                                                                                                                                                                                                                                            |
| YZERO 0.0E+0              | This value indicates the vertical offset of the source waveform. This value is unused for RF frequency domain traces and is always 0.                                                                                                                                                                                                                                                                                                              |
| DOMAIN FREQUENCY          | This value indicates the domain in which the source waveform is displayed and stored. For RF time domain traces, the domain is Time and waveform transfer information is treated as integer information. For RF frequency domain traces, the domain is Frequency and waveform transfer information is treated as floating point information. This is query only. (If you would like to determine only this value, use the WFMOupre:DOMain? query.) |
| WFMTYPE RF_FD             | This value indicates the type of the source waveform. RF_FD indicates an RF frequency domain trace (frequency domain waveform). This is query only. (If you would like to determine only this value, use the WFMOupre:WFMTYPE? query.)                                                                                                                                                                                                             |
| CENTERFREQUENCY 2.4000E+9 | This value indicates the center frequency, in hertz, of the source waveform. This is query only. (If you would like to determine only this value, use the WFMOupre:CENTERFREQuency? query.)                                                                                                                                                                                                                                                        |
| SPAN 2.0000E+9            | This value indicates the frequency span, in hertz, of the source waveform. This is query only. (If you would like to determine only this value, use the WFMOupre:SPAN? query.)                                                                                                                                                                                                                                                                     |
| REFLEVEL 1.0000E-3        | This value indicates the reference level, in watts, of the source waveform. This is query only. (If you would like to determine only this value, use the WFMOupre:REFLEvel? query.)                                                                                                                                                                                                                                                                |

### Example 7: Baseband IQ Waveform

Goal: Transfer Baseband I and Q data from the instrument to a PC.

**NOTE.** Requires SV-RFVT option.

| Command                      | Comment                                                     |
|------------------------------|-------------------------------------------------------------|
| :DATA:SOURce CH1_BASEBAND_IQ |                                                             |
| :DATA:WIDth 2                | Set data width for every I,Q pair to 2.                     |
| :WFMOupre:ENCdg SRIBinary    | Request data LSB first.                                     |
| :WFMOupre:YMUlt?             | Apply 2*YMUlt scaling to I and Q samples returned by CURVe? |

| Command     | Comment                                                                                                                                                                                                                                                                                                                                                                                                                                                                                                                                                                                                                                                                                                                          |
|-------------|----------------------------------------------------------------------------------------------------------------------------------------------------------------------------------------------------------------------------------------------------------------------------------------------------------------------------------------------------------------------------------------------------------------------------------------------------------------------------------------------------------------------------------------------------------------------------------------------------------------------------------------------------------------------------------------------------------------------------------|
| :WFMOutpre? | <p>Returns the following values. Each value represents the current settings that aCURVe? query will use to format the data that will be transferred from the instrument to a PC or other device:</p> <pre data-bbox="634 373 1458 667">:WFMOUTPRE:BYT_NR 1;BIT_NR 8;:WFMOUTPRE:ENCDG BINARY;BN_FMT RI;:WFMOUTPRE:ASC_FMT INTEGER;BYT_OR MSB;:WFMOUTPRE:WFID "CH1_SV_BASEBAND_IQ, 5062 points, Center Freq: 1GHz, Span: 312.5MHz";NR_PT 9;:WFMOUTPRE:PT_FMT ENV;PT_ORDER LINEAR;:WFMOUTPRE:XUNIT "s";XINCR 1.280E-9;:WFMOUTPRE:XZERO 815.000E-12;PT_OFF 0;:WFMOUTPRE:YUNIT "V";YMULT 8.0000E-3;:WFMOUTPRE:YOFF 0.0E+0;YZERO0.0E+0;:WFMOUTPRE:DOMAIN TIME;WFMTYPE F_TD;:WFMOUTPRE:CENTERFREQUENCY 1.0000E+9;SPAN 312.5000E+6</pre> |
| :CURVe?     | <p>CURVe? will transmit NR_Pt points which are interleaved I and Q pairs. The result can be read from the binary buffer as uint16 to get I and Q pair values in "digitizing levels". Multiply the digitizing level value by 2*YMULT to get absolute I and Q point values.</p>                                                                                                                                                                                                                                                                                                                                                                                                                                                    |



# Appendix E: Search and Trigger Command Sequence Examples

The following are some example command sequences that show a variety of different searches and triggers. The commands in these sequences are not order-dependent.

To use these examples, connect channel 1, channel 2, channel 3 and channel 4 to the probe compensation signal located on the right hand side of the front panel.

The search and trigger command group sections contain more information on general search and trigger concepts. ,

## Example 1: Single Threshold Edge Search

Goal: Search the channel 2 waveform and place a mark at each instance where it crosses below a threshold of 1.4 volts.

| Command                                         | Comment                                                                                                                                                            |
|-------------------------------------------------|--------------------------------------------------------------------------------------------------------------------------------------------------------------------|
| *RST;:*OPC?                                     | Resets the instrument and waits for that operation to complete (approximately 1 to 5 seconds depending on the complexity of the previous setup).                   |
| display:waveview1:ch2:state 1                   | Turns the CH2 waveform on.                                                                                                                                         |
| :AUTOset EXECute>:*OPC?                         | Autosets the displayed waveform CH2 and waits for the auto setup to complete.                                                                                      |
| SEARCH:SEARCH1:TRIGger:A:TYPE EDGE              | Specifies that this will be an edge search (a mark will be placed when the source waveform passes through a specified threshold level in the specified direction). |
| SEARCH:SEARCH1:TRIGger:A:EDGE:SOURce CH2        | Specifies the CH2 waveform as the source waveform.                                                                                                                 |
| SEARCH:SEARCH1:TRIGger:A:LOWerthreshold:CH2 1.4 | Specifies 1.4 volts as the threshold level.                                                                                                                        |
| SEARCH:SEARCH1:TRIGger:A:EDGE:SLOpe FALL        | Specifies the falling edge as the direction.                                                                                                                       |
| SEARCH:SEARCH1:STATE 1                          | Turns the search on.                                                                                                                                               |
| SEARCH:SEARCH1:TOTal?                           | Returns 4, indicating that CH2 fell below the 1.4 volt threshold 4 times.                                                                                          |

## Example 2: Single Threshold Edge Trigger

Goal: Trigger on the channel 2 waveform when the waveform crosses below a threshold of 1.4 volts.

| Command                        | Comment                                                                          |
|--------------------------------|----------------------------------------------------------------------------------|
| *RST                           | Resets the instrument. Wait for the reset to complete (approximately 3 seconds). |
| :DISPLAY:WAVEVIEW1:CH2:STATE 1 | Turns the CH2 waveform on.                                                       |

| Command                           | Comment                                                                                                                                                          |
|-----------------------------------|------------------------------------------------------------------------------------------------------------------------------------------------------------------|
| :TRIGger:A:TYPe EDGE              | Specifies that this will be an edge trigger (trigger will occur when the source waveform passes through a specified threshold level in the specified direction). |
| :TRIGger:A:EDGE:SOUrce CH2        | Specifies the CH2 waveform as the source waveform.                                                                                                               |
| :TRIGger:A:LOWerthreshold:CH2 1.4 | Specifies 1.4 volts as the threshold level.                                                                                                                      |
| :TRIGger:A:EDGE:SLOpe FALL        | Specifies as falling edge as the direction.                                                                                                                      |
| :TRIGger:STATE?                   | Should return TRIGGER, not AUTO.                                                                                                                                 |

### Example 3: Dual Threshold Runt Search

Goal: Search the channel 3 waveform for negative runt pulses and place a mark at each instance when the waveform drops below an upper threshold of 1.4 volts, but does not cross a lower threshold of -2 volts before re-crossing the upper threshold. The pulse width must be less than 600 microseconds.

| Command                                          | Comment                                                                                                                                                                               |
|--------------------------------------------------|---------------------------------------------------------------------------------------------------------------------------------------------------------------------------------------|
| *RST                                             | Resets the instrument. Wait for the reset to complete (approximately 3 seconds).                                                                                                      |
| :DISPLAY:WAVEVIEW1:CH3:STATE 1                   | Turns the CH3 waveform on.                                                                                                                                                            |
| :AUTOset EXECute                                 | Autosets the displayed waveform CH3. Wait for the autoset to complete (approximately 3 seconds).                                                                                      |
| SEARCH:SEARCH1:TRIGger:A:TYPe RUNT               | Specifies that this will be a runt search (a mark will be placed on a pulse amplitude that crosses one threshold but fails to cross a second threshold before re-crossing the first). |
| SEARCH:SEARCH1:TRIGger:A:EDGE:SOUrce CH3         | Specifies to use channel 3 as the source waveform.                                                                                                                                    |
| SEARCH:SEARCH1:TRIGger:A:LOWerthreshold:CH3 -2   | Specifies to use -2 volts as the lower threshold.                                                                                                                                     |
| SEARCH:SEARCH1:TRIGger:A:UPPerthreshold: CH3 1.4 | Specifies to use 1.4 volts as the upper threshold.                                                                                                                                    |
| SEARCH:SEARCH1:TRIGger:A:RUNT:POLarity NEGative  | Specifies to search for when the runt polarity is negative.                                                                                                                           |
| SEARCH:SEARCH1:TRIGger:A:RUNT:WIDth 600E-6       | Specifies a pulse width of 600E-6 seconds.                                                                                                                                            |
| SEARCH:SEARCH1:TRIGger:A:RUNT:WHEn LESSthan      | Specifies to search for when the pulse width is less than 600E-6 seconds.                                                                                                             |
| SEARCH:SEARCH1:STATE 1                           | Turns the search on.                                                                                                                                                                  |
| SEARCH:SEARCH1:TOTal?                            | Returns 3, indicating that 3 total negative runt pulses were less than 600E-6 seconds wide                                                                                            |

**NOTE.** You could use a similar command sequence with a transition type search.

## Example 4: Single Threshold Logic Search on Three Waveforms

Goal: Search the channel 1, 2 and 3 waveforms and place a mark at each instance when either channel 1 is above 1.4 volts, channel 2 is above 1.5 volts, or channel 3 is above 1.3 volts.

| Command                                          | Comment                                                                                                                                                                                                                                                                                               |
|--------------------------------------------------|-------------------------------------------------------------------------------------------------------------------------------------------------------------------------------------------------------------------------------------------------------------------------------------------------------|
| *RST                                             | Resets the instrument. Wait for the reset to complete (approximately 3 seconds).                                                                                                                                                                                                                      |
| :DISPLAY:WAVEVIEW1:CH1:STATE 1                   | Turns the CH1 waveform on.                                                                                                                                                                                                                                                                            |
| :DISPLAY:WAVEVIEW1:CH2:STATE 1                   | Turns the CH2 waveform on.                                                                                                                                                                                                                                                                            |
| :DISPLAY:WAVEVIEW1:CH3:STATE 1                   | Turns the CH3 waveform on.                                                                                                                                                                                                                                                                            |
| :AUTOset EXECute                                 | Autosets the displayed waveforms CH1, CH2 and CH3. Wait for the autose to complete (approximately 3 seconds).                                                                                                                                                                                         |
| SEARCH:SEARCH1:TRIGger:A:TYPE LOGic              | Specifies that this will be a logic search (a mark will be placed when all channels transition to the specified state).                                                                                                                                                                               |
| SEARCH:SEARCH1:TRIGger:A:LOGic:INPut:CH1 HIGH    | Specifies the Boolean logic criteria for channel 1; in this case, high.                                                                                                                                                                                                                               |
| SEARCH:SEARCH1:TRIGger:A:LOGic:INPut:CH2 HIGH    | Specifies the Boolean logic criteria for channel 2; in this case, high.                                                                                                                                                                                                                               |
| SEARCH:SEARCH1:TRIGger:A:LOGic:INPut:CH3 HIGH    | Specifies the Boolean logic criteria for channel 3; in this case, high.                                                                                                                                                                                                                               |
| SEARCH:SEARCH1:TRIGger:A:LOGic:THReshold:CH1 1.4 | Specifies to use 1.4 volts as the threshold for CH1.                                                                                                                                                                                                                                                  |
| SEARCH:SEARCH1:TRIGger:A:LOGic:THReshold:CH2 1.5 | Specifies to use 1.5 volts as the threshold for CH2.                                                                                                                                                                                                                                                  |
| SEARCH:SEARCH1:TRIGger:A:LOGic:THReshold:CH3 1.3 | Specifies to use 1.3 volts as the threshold for CH3.                                                                                                                                                                                                                                                  |
| SEARCH:SEARCH1:TRIGger:A:LOGic:PATtern:WHEn TRUE | Specifies the condition for generating a logic pattern search; in this case, true.                                                                                                                                                                                                                    |
| SEARCH:SEARCH1:TRIGger:A:LOGic:FUNCTION OR       | Specifies the logic operator for the logic search; in this case, OR.                                                                                                                                                                                                                                  |
| SEARCH:SEARCH1:STATE 1                           | Turns the search on.                                                                                                                                                                                                                                                                                  |
| SEARCH:SEARCH1:TOTal?                            | Returns 3 or 4, indicating 3 or 4 times when one of channels 1, 2 or 3 became high.<br><br>Note: Depending upon the number of transitions displayed, you may get 3 or 4 search marks for this example. If you get 3 search marks, try adjusting the horizontal position until you see 4 search marks. |





---

# Glossary

## **ASCII**

Acronym for the American Standard Code for Information Interchange. Controllers transmit commands to the instrument using ASCII character encoding.

## **Address**

A 7-bit code that identifies an instrument on the communication bus. The digitizing instrument must have a unique address for the controller to recognize and transmit commands to it.

## **Backus-Naur Form (BNF)**

A standard notation system for command syntax diagrams. The syntax diagrams in this manual use BNF notation.

## **Controller**

A computer or other device that sends commands to and accepts responses from the digitizing instrument.

## **EOI**

A mnemonic referring to the control line End or Identify. One of the two possible end-of-message terminators.

## **EOM**

A generic acronym referring to the end-of-message terminator. The end-of-message terminator can be either an EOI or the ASCII code for line feed (LF).

## **Equivalent-Time sampling (ET)**

A sampling mode in which the instrument acquires signals over many repetitions of the event. This instrument uses a type of equivalent time sampling called random equivalent time sampling. It utilizes an internal clock that runs asynchronously with respect to the input signal and the signal trigger. The instrument takes samples continuously, independent of the trigger position, and displays them based on the time difference between the sample and the trigger. Although the samples are taken sequentially in time, they are random with respect to the trigger.

## **Real-Time sampling**

A sampling mode where the instrument samples fast enough to completely fill a waveform record from a single trigger event. Use real-time sampling to capture single-shot or transient events.

## **IEEE**

An acronym for the Institute for Electrical and Electronic Engineers.

## **Serial poll**

A device on the bus can request service from the Controller by asserting the SRQ line. When a controller acknowledges the SRQ, it serial polls each device on the bus to determine which device on the bus requested service. Any device requesting service returns a status byte indicating it needs to be serviced and then

unasserts the SRQ line. Devices not requiring service return a status byte that indicates they do not need servicing.

**TEKSecure**

A Tektronix custom command that initializes both waveform and setup memories. This overwrites any previously stored data.

# Index

## A

- ACQuire?, 2-161
- ACQuire:FASTAcq:PALEtte, 2-161
- ACQuire:FASTAcq:STATE, 2-162
- ACQuire:FASTAVerage:LIMit, 2-162
- ACQuire:FASTAVerage:STATE, 2-163
- ACQuire:FASTAVerage:STOPAfter, 2-163
- ACQuire:MAXSamplerate?, 2-164
- ACQuire:MODE, 2-164
- ACQuire:NUMAcq?, 2-165
- ACQuire:NUMAVg, 2-166
- ACQuire:NUMFRAMESAcQuired?, 2-166
- ACQuire:SEquence:CURrent?, 2-166
- ACQuire:SEquence:MODE, 2-167
- ACQuire:SEquence:NUMSEquence, 2-167
- ACQuire:STATE, 2-168
- ACQuire:STOPAfter, 2-168
- ACTONEVent:ENable, 2-169
- ACTONEVent:LIMit, 2-169
- ACTONEVent:LIMITCount, 2-170
- ACTONEVent:MASKFail:ACTION:SAVEIMAGE:  
STATE, 2-170
- ACTONEVent:MASKFail:ACTION:  
SAVEWAVEform:STATE, 2-171
- ACTONEVent:MASKFail:ACTION:SRQ:  
STATE, 2-172
- ACTONEVent:MASKFail:ACTION:STOPACQ:  
STATE, 2-172
- ACTONEVent:MASKHit:ACTION:SAVEIMAGE:  
STATE, 2-173
- ACTONEVent:MASKHit:ACTION:  
SAVEWAVEform:STATE, 2-174
- ACTONEVent:MASKHit:ACTION:SRQ:  
STATE, 2-174
- ACTONEVent:MASKHit:ACTION:STOPACQ:  
STATE, 2-175
- ACTONEVent:MASKPass:ACTION:SAVEIMAGE:  
STATE, 2-176
- ACTONEVent:MASKPass:ACTION:  
SAVEWAVEform:STATE, 2-176
- ACTONEVent:MASKPass:ACTION:SRQ:  
STATE, 2-177
- ACTONEVent:MASKPass:ACTION:STOPACQ:  
STATE, 2-178
- ACTONEVent:MEASUrement:ACTION:  
SAVEIMAGE:STATE, 2-178
- ACTONEVent:MEASUrement:ACTION:  
SAVEWAVEform:STATE, 2-179
- ACTONEVent:MEASUrement:ACTION:SRQ:  
STATE, 2-180
- ACTONEVent:MEASUrement:ACTION:STOPACQ:  
STATE, 2-181
- ACTONEVent:SEARCH:ACTION:SAVEIMAGE:  
STATE, 2-181
- ACTONEVent:SEARCH:ACTION:  
SAVEWAVEform:STATE, 2-182
- ACTONEVent:SEARCH:ACTION:SRQ:  
STATE, 2-183
- ACTONEVent:SEARCH:ACTION:STOPACQ:  
STATE, 2-183
- ACTONEVent:TRIGger:ACTION:SAVEIMAGE:  
STATE, 2-184
- ACTONEVent:TRIGger:ACTION:SAVEWAVEform:  
STATE, 2-184
- ACTONEVent:TRIGger:ACTION:SRQ:  
STATE, 2-185
- ACTONEVent:TRIGger:ACTION:STOPACQ:  
STATE, 2-186
- AFG:AMPLitude, 2-186
- AFG:ARBitrary:SOUrce, 2-187
- AFG:BURSt:CCOUnt, 2-187
- AFG:BURSt:TRIGger, 2-188
- AFG:FREQuency, 2-188
- AFG:FUNcTion, 2-189
- AFG:HIGHLevel, 2-190
- AFG:LOWLevel, 2-190
- AFG:NOISEAdd:PERCent, 2-191
- AFG:NOISEAdd:STATE, 2-191
- AFG:OFFSet, 2-192
- AFG:OUTPut:LOAD:IMPEDance, 2-192
- AFG:OUTPut:MODE, 2-193
- AFG:OUTPut:STATE, 2-193
- AFG:PERIod, 2-194
- AFG:PULse:WIDth, 2-194
- AFG:RAMP:SYMmetry, 2-195
- AFG:SQUare:DUty, 2-195
- ALIAS, 2-196
- ALIAS:CATalog?, 2-196

ALIas:DEFine, 2-197  
 ALIas:DELEte, 2-198  
 ALIas:DELEte:ALL, 2-198  
 ALIas:DELEte:NAME, 2-198  
 ALIas:STATE, 2-199  
 ALLEv?, 2-199  
 APPLIcation:ACTivate , 2-200  
 AUTOSAVEPITIMEOUT, 2-200  
 AUTOSAVEUITIMEOUT, 2-201  
 AUTOSet, 2-201  
 AUTOSet:ACQuisition:ENable, 2-201  
 AUTOSet:ENable, 2-202  
 AUTOSet:HORizontal:ENable, 2-203  
 AUTOSet:TRIGger:ENable, 2-203  
 AUTOSet:VERTical:ENable, 2-204  
 AUTOSet:VERTical:OPTIMize, 2-205  
 AUXout:EDGE, 2-206  
 AUXout:SOURce, 2-206

## B

BUS:ADDNew, 2-206  
 BUS:B<x>:ARINC429A:BITRate, 2-207  
 BUS:B<x>:ARINC429A:BITRate:CUSTom, 2-208  
 BUS:B<x>:ARINC429A:DATAFORmat, 2-208  
 BUS:B<x>:ARINC429A:POLARITY, 2-209  
 BUS:B<x>:ARINC429A:SOURce, 2-210  
 BUS:B<x>:ARINC429A:THRESHold, 2-210  
 BUS:B<x>:AUDio:BITDelay, 2-211  
 BUS:B<x>:AUDio:BITOrder, 2-211  
 BUS:B<x>:AUDio:CLOCK:POLarity, 2-212  
 BUS:B<x>:AUDio:CLOCK:SOURce, 2-213  
 BUS:B<x>:AUDio:CLOCK:THReshold, 2-213  
 BUS:B<x>:AUDio:DATA:POLarity, 2-214  
 BUS:B<x>:AUDio:DATA:SIZE, 2-215  
 BUS:B<x>:AUDio:DATA:SOURce, 2-215  
 BUS:B<x>:AUDio:DATA:THReshold, 2-216  
 BUS:B<x>:AUDio:DATA:WORDSize, 2-217  
 BUS:B<x>:AUDio:FRAME:  
     CLOCKBITSPERCHANNEL, 2-217  
 BUS:B<x>:AUDio:FRAME:SIZE, 2-218  
 BUS:B<x>:AUDio:TYPE, 2-218  
 BUS:B<x>:AUDio:WORDSel:POLarity, 2-219  
 BUS:B<x>:AUDio:WORDSel:SOURce, 2-219  
 BUS:B<x>:AUDio:WORDSel:THReshold, 2-220  
 BUS:B<x>:AUTOETHERnet:BITRate, 2-221  
 BUS:B<x>:AUTOETHERnet:  
     DATAMINUSTHRESHOLD, 2-221

BUS:B<x>:AUTOETHERnet:  
     DATAPLUSTHRESHold, 2-222  
 BUS:B<x>:AUTOETHERnet:  
     LOWDATAMINus, 2-223  
 BUS:B<x>:AUTOETHERnet:  
     LOWDATAPLUS, 2-223  
 BUS:B<x>:AUTOETHERnet:  
     LOWTHRESHold, 2-224  
 BUS:B<x>:AUTOETHERnet:PACKetview, 2-225  
 BUS:B<x>:AUTOETHERnet:SIGNALTYpe, 2-225  
 BUS:B<x>:AUTOETHERnet:SOURce, 2-226  
 BUS:B<x>:AUTOETHERnet:SOURce:  
     DMINus, 2-227  
 BUS:B<x>:AUTOETHERnet:SOURce:DPLUs, 2-228  
 BUS:B<x>:AUTOETHERnet:TBT1s:  
     MTHReshold, 2-228  
 BUS:B<x>:AUTOETHERnet:TENBASET1S:  
     THRESHold, 2-229  
 BUS:B<x>:AUTOETHERnet:THRESHold, 2-229  
 BUS:B<x>:AUTOETHERnet:TYPE, 2-230  
 BUS:B<x>:CAN:BITRate, 2-231  
 BUS:B<x>:CAN:BITRate:VALue, 2-232  
 BUS:B<x>:CAN:FD:BITRate, 2-232  
 BUS:B<x>:CAN:FD:BITRate:CUSTom, 2-234  
 BUS:B<x>:CAN:SAMPLEpoint, 2-234  
 BUS:B<x>:CAN:SIGNal, 2-235  
 BUS:B<x>:CAN:SOURce, 2-235  
 BUS:B<x>:CAN:STANDard, 2-236  
 BUS:B<x>:CAN:THReshold, 2-237  
 BUS:B<x>:CAN:XL:BITRate, 2-237  
 BUS:B<x>:CAN:XL:BITRate:CUSTom, 2-238  
 BUS:B<x>:CPHY:A:DATA:THRESHold, 2-238  
 BUS:B<x>:CPHY:A:LP:THRESHold, 2-239  
 BUS:B<x>:CPHY:A:SOURce, 2-240  
 BUS:B<x>:CPHY:AB:SOURce, 2-240  
 BUS:B<x>:CPHY:AB:THReshold, 2-241  
 BUS:B<x>:CPHY:AGND:SOURce, 2-241  
 BUS:B<x>:CPHY:AGND:THReshold, 2-242  
 BUS:B<x>:CPHY:B:DATA:THRESHold, 2-242  
 BUS:B<x>:CPHY:B:SOURce, 2-243  
 BUS:B<x>:CPHY:BC:SOURce, 2-244  
 BUS:B<x>:CPHY:BC:THReshold, 2-244  
 BUS:B<x>:CPHY:BITRate, 2-245  
 BUS:B<x>:CPHY:C:DATA:THRESHold, 2-245  
 BUS:B<x>:CPHY:C:LP:THRESHold, 2-246  
 BUS:B<x>:CPHY:C:SOURce, 2-246  
 BUS:B<x>:CPHY:CA:SOURce, 2-247

- BUS:B<x>:CPHY:CA:THReshold, 2-248
- BUS:B<x>:CPHY:CGND:SOUrce, 2-248
- BUS:B<x>:CPHY:CGND:THReshold, 2-249
- BUS:B<x>:CPHY:LP:DIRectioN, 2-249
- BUS:B<x>:CPHY:SIGNALTYpe, 2-250
- BUS:B<x>:CPHY:SUBTYPe, 2-250
- BUS:B<x>:CXPI:BITRate, 2-251
- BUS:B<x>:CXPI:REC:THReshold, 2-252
- BUS:B<x>:CXPI:SOUrce, 2-252
- BUS:B<x>:DISPlay:FORMAt, 2-253
- BUS:B<x>:DISPlay:LAYout, 2-253
- BUS:B<x>:DPHY:CLOCK:SOUrce, 2-254
- BUS:B<x>:DPHY:CLOCK:THRESHold, 2-255
- BUS:B<x>:DPHY:DMINus:
  - DATATHRESHold, 2-255
- BUS:B<x>:DPHY:DMINus:LPTHRESHold, 2-256
- BUS:B<x>:DPHY:DMINus:SOUrce, 2-256
- BUS:B<x>:DPHY:DPlus:DATATHRESHold, 2-257
- BUS:B<x>:DPHY:DPlus:LPTHRESHold, 2-258
- BUS:B<x>:DPHY:DPlus:SOUrce, 2-258
- BUS:B<x>:DPHY:LP:DIRectioN, 2-259
- BUS:B<x>:DPHY:PROToCol:TYPe, 2-259
- BUS:B<x>:DPHY:SIGNAl:ENCOding, 2-260
- BUS:B<x>:ESPI:ALERt:POLarity, 2-261
- BUS:B<x>:ESPI:ALERt:SOUrce, 2-261
- BUS:B<x>:ESPI:ALERt:THReshold, 2-262
- BUS:B<x>:ESPI:ALERTVIEW, 2-262
- BUS:B<x>:ESPI:CHIPSElect:POLarity, 2-263
- BUS:B<x>:ESPI:CHIPSElect:SOUrce, 2-264
- BUS:B<x>:ESPI:CHIPSElect:THReshold, 2-264
- BUS:B<x>:ESPI:CLOCK:POLarity, 2-265
- BUS:B<x>:ESPI:CLOCK:SOUrce, 2-265
- BUS:B<x>:ESPI:CLOCK:THReshold, 2-266
- BUS:B<x>:ESPI:DATAONE:POLarity, 2-267
- BUS:B<x>:ESPI:DATAONE:SOUrce, 2-267
- BUS:B<x>:ESPI:DATAONE:THReshold, 2-268
- BUS:B<x>:ESPI:DATATWO:POLarity, 2-268
- BUS:B<x>:ESPI:DATATWO:SOUrce, 2-269
- BUS:B<x>:ESPI:DATATWO:THReshold, 2-270
- BUS:B<x>:ESPI:IOMODE, 2-270
- BUS:B<x>:ETHERCAT:
  - DATAMINUSTHRESHold, 2-271
- BUS:B<x>:ETHERCAT:
  - DATAPLUSTHRESHold, 2-271
- BUS:B<x>:ETHERCAT:SIGNALTYpe, 2-272
- BUS:B<x>:ETHERCAT:SOUrce:DIFF, 2-272
- BUS:B<x>:ETHERCAT:SOUrce:DMINus, 2-273
- BUS:B<x>:ETHERCAT:SOUrce:DPLUs, 2-274
- BUS:B<x>:ETHERCAT:THRESHold, 2-274
- BUS:B<x>:ETHERnet:
  - DATAMINUSTHRESHold, 2-275
- BUS:B<x>:ETHERnet:
  - DATAPLUSTHRESHold, 2-276
- BUS:B<x>:ETHERnet:IPVFOUR, 2-276
- BUS:B<x>:ETHERnet:LOWTHRESHold, 2-277
- BUS:B<x>:ETHERnet:QTAGGING, 2-278
- BUS:B<x>:ETHERnet:SIGNALTYpe, 2-278
- BUS:B<x>:ETHERnet:SOUrce, 2-279
- BUS:B<x>:ETHERnet:SOUrce:DMINus, 2-280
- BUS:B<x>:ETHERnet:SOUrce:DPLUs, 2-280
- BUS:B<x>:ETHERnet:THRESHold, 2-281
- BUS:B<x>:ETHERnet:TYPe, 2-281
- BUS:B<x>:EUSB:BITRate, 2-282
- BUS:B<x>:EUSB:DATAMINUS:DATA:
  - THRESHold, 2-282
- BUS:B<x>:EUSB:DATAMINUSTHRESHold, 2-283
- BUS:B<x>:EUSB:DATAPLUS:DATA:
  - THRESHold, 2-284
- BUS:B<x>:EUSB:DATAPLUSTHRESHold, 2-284
- BUS:B<x>:EUSB:LOWTHRESHold, 2-285
- BUS:B<x>:EUSB:OPERating:MODE, 2-285
- BUS:B<x>:EUSB:SIGNALTYpe, 2-286
- BUS:B<x>:EUSB:SOUrce:DIFF, 2-286
- BUS:B<x>:EUSB:SOUrce:DMINus, 2-287
- BUS:B<x>:EUSB:SOUrce:DPLUs, 2-288
- BUS:B<x>:EUSB:THRESHold, 2-288
- BUS:B<x>:FLEXray:BITRate, 2-289
- BUS:B<x>:FLEXray:BITRate:CUSTom, 2-289
- BUS:B<x>:FLEXray:CHannel, 2-290
- BUS:B<x>:FLEXray:LOWTHRESHold, 2-290
- BUS:B<x>:FLEXray:SIGNAl, 2-291
- BUS:B<x>:FLEXray:SOUrce, 2-292
- BUS:B<x>:FLEXray:SOUrce:TXRX, 2-292
- BUS:B<x>:FLEXray:THRESHold, 2-293
- BUS:B<x>:FLEXray:TXRXTHRESHold, 2-293
- BUS:B<x>:I2C:CLOCK:SOUrce, 2-294
- BUS:B<x>:I2C:CLOCK:THReshold, 2-295
- BUS:B<x>:I2C:DATA:SOUrce, 2-295
- BUS:B<x>:I2C:DATA:THReshold, 2-296
- BUS:B<x>:I2C:RWINADDR, 2-297
- BUS:B<x>:I3C:CLOCK:SOUrce, 2-297
- BUS:B<x>:I3C:CLOCK:THReshold, 2-298
- BUS:B<x>:I3C:DATA:SOUrce, 2-299
- BUS:B<x>:I3C:DATA:THReshold, 2-299

- BUS:B<x>:I3C:VERSion, 2-300
- BUS:B<x>:LABel:COLor, 2-301
- BUS:B<x>:LABel:FONT:BOLD, 2-301
- BUS:B<x>:LABel:FONT:ITALic, 2-302
- BUS:B<x>:LABel:FONT:SIZE, 2-302
- BUS:B<x>:LABel:FONT:TYPE, 2-303
- BUS:B<x>:LABel:FONT:UNDERline, 2-303
- BUS:B<x>:LABel:name, 2-304
- BUS:B<x>:LABel:XPOS, 2-304
- BUS:B<x>:LABel:YPOS, 2-305
- BUS:B<x>:LIN:BITRate, 2-305
- BUS:B<x>:LIN:BITRate:CUSTom, 2-306
- BUS:B<x>:LIN:IDFORmat, 2-307
- BUS:B<x>:LIN:POLarity, 2-307
- BUS:B<x>:LIN:SAMPLepoint, 2-308
- BUS:B<x>:LIN:SOURce, 2-308
- BUS:B<x>:LIN:SOURce:THReshold, 2-309
- BUS:B<x>:LIN:STANDard, 2-310
- BUS:B<x>:MANChester:BITORder, 2-310
- BUS:B<x>:MANChester:BITRate, 2-311
- BUS:B<x>:MANChester:DISplaymode, 2-311
- BUS:B<x>:MANChester:HEADer:LENGth, 2-312
- BUS:B<x>:MANChester:IDLE:BITS, 2-313
- BUS:B<x>:MANChester:parity, 2-313
- BUS:B<x>:MANChester:SOURce, 2-314
- BUS:B<x>:MANChester:START:INDEX, 2-314
- BUS:B<x>:MANChester:SYNC:SIZE, 2-315
- BUS:B<x>:MANChester:THReshold, 2-315
- BUS:B<x>:MANChester:TOLerance, 2-316
- BUS:B<x>:MANChester:TRAIler:LENGth, 2-317
- BUS:B<x>:MANChester:TRANstion:ZERo, 2-317
- BUS:B<x>:MANChester:WORD:COUNT, 2-318
- BUS:B<x>:MANChester:WORDSIZE, 2-318
- BUS:B<x>:MDIO:CLOCK:SOURce, 2-319
- BUS:B<x>:MDIO:CLOCK:THReshold, 2-320
- BUS:B<x>:MDIO:DATA:SOURce, 2-320
- BUS:B<x>:MDIO:DATA:THReshold, 2-321
- BUS:B<x>:MIL1553B:LOWTHRESHold, 2-321
- BUS:B<x>:MIL1553B:POLarity, 2-322
- BUS:B<x>:MIL1553B:RESPonsetime:
  - MAXimum, 2-323
- BUS:B<x>:MIL1553B:RESPonsetime:
  - MINimum, 2-323
- BUS:B<x>:MIL1553B:SOURce, 2-324
- BUS:B<x>:MIL1553B:THRESHold, 2-325
- BUS:B<x>:NFC:APPLYDEMod, 2-325
- BUS:B<x>:NFC:BITRate, 2-326
- BUS:B<x>:NFC:CMD:STARTINDEX, 2-326
- BUS:B<x>:NFC:CMD:THReshold, 2-327
- BUS:B<x>:NFC:CMD:TRANsition:ZERo, 2-328
- BUS:B<x>:NFC:COMMand:POLarity, 2-328
- BUS:B<x>:NFC:RESPonse:POLarity, 2-329
- BUS:B<x>:NFC:RSP:THReshold, 2-329
- BUS:B<x>:NFC:SOURce, 2-330
- BUS:B<x>:NFC:START:INDEX, 2-331
- BUS:B<x>:NFC:STD, 2-331
- BUS:B<x>:NFC:TOLerance, 2-332
- BUS:B<x>:NFC:TRANsition:ZERo, 2-332
- BUS:B<x>:NRZ:BITOrder, 2-333
- BUS:B<x>:NRZ:BITRate, 2-334
- BUS:B<x>:NRZ:POLarity, 2-334
- BUS:B<x>:NRZ:SOURce, 2-335
- BUS:B<x>:NRZ:SPMI:VERSion, 2-335
- BUS:B<x>:NRZ:THReshold, 2-336
- BUS:B<x>:ONEWIRE:DATA:SOURce, 2-337
- BUS:B<x>:ONEWIRE:DATA:THReshold, 2-337
- BUS:B<x>:ONEWIRE:MODE, 2-338
- BUS:B<x>:PARAllel:ALLTHResholds, 2-338
- BUS:B<x>:PARAllel:ALLTHResholds:APPLY, 2-339
- BUS:B<x>:PARAllel:BIT<x>SOURce, 2-339
- BUS:B<x>:PARAllel:BIT<x>SOURce:
  - THReshold, 2-340
- BUS:B<x>:PARAllel:CLOCK:EDGE, 2-341
- BUS:B<x>:PARAllel:CLOCK:ISCLOCKED, 2-341
- BUS:B<x>:PARAllel:CLOCKSOURCE, 2-342
- BUS:B<x>:PARAllel:CLOCKSOURCE:
  - THReshold, 2-343
- BUS:B<x>:PSIFIVE:BITPERiod, 2-343
- BUS:B<x>:PSIFIVE:BITRate, 2-344
- BUS:B<x>:PSIFIVE:COMM:DIRection, 2-344
- BUS:B<x>:PSIFIVE:DATAA, 2-345
- BUS:B<x>:PSIFIVE:DATAB, 2-346
- BUS:B<x>:PSIFIVE:DATAFORMat, 2-346
- BUS:B<x>:PSIFIVE:ECUSOURce, 2-347
- BUS:B<x>:PSIFIVE:FRAMECONtrol, 2-347
- BUS:B<x>:PSIFIVE:MESSaging, 2-348
- BUS:B<x>:PSIFIVE:SOURce, 2-348
- BUS:B<x>:PSIFIVE:STATus, 2-349
- BUS:B<x>:PSIFIVE:SYNCMODE, 2-349
- BUS:B<x>:PSIFIVE:SYNCTHRESHold, 2-350
- BUS:B<x>:PSIFIVE:THRESHold, 2-351
- BUS:B<x>:RS232C:BITORder, 2-351
- BUS:B<x>:RS232C:BITRate, 2-352
- BUS:B<x>:RS232C:BITRate:CUSTom, 2-353

- BUS:B<x>:RS232C:DATA:Bits, 2-353
  - BUS:B<x>:RS232C:DELIMiter, 2-354
  - BUS:B<x>:RS232C:DISPlaymode, 2-355
  - BUS:B<x>:RS232C:PARity, 2-355
  - BUS:B<x>:RS232C:POLarity, 2-356
  - BUS:B<x>:RS232C:SOUrce, 2-356
  - BUS:B<x>:RS232C:SOUrce:THReshold, 2-357
  - BUS:B<x>:S8B10B:BITRate, 2-358
  - BUS:B<x>:S8B10B:SOUrce, 2-358
  - BUS:B<x>:S8B10B:THReshold, 2-359
  - BUS:B<x>:SDLC:BITRate, 2-359
  - BUS:B<x>:SDLC:DATA:SOUrce, 2-360
  - BUS:B<x>:SDLC:DATA:THReshold, 2-361
  - BUS:B<x>:SDLC:ENCoding, 2-361
  - BUS:B<x>:SDLC:MODulo, 2-362
  - BUS:B<x>:SENT:CHANWidth, 2-362
  - BUS:B<x>:SENT:NIBBLECount, 2-363
  - BUS:B<x>:SENT:NUMCHANnel, 2-363
  - BUS:B<x>:SENT:PAUSEPULSe, 2-364
  - BUS:B<x>:SENT:POLARITY, 2-364
  - BUS:B<x>:SENT:SLOW, 2-365
  - BUS:B<x>:SENT:SOUrce, 2-366
  - BUS:B<x>:SENT:THRESHold, 2-366
  - BUS:B<x>:SENT:TICKTIME, 2-367
  - BUS:B<x>:SENT:TICKTOLerance, 2-367
  - BUS:B<x>:SMBUS:CLOCK:SOUrce, 2-368
  - BUS:B<x>:SMBUS:CLOCK:THReshold, 2-369
  - BUS:B<x>:SMBUS:DATA:SOUrce, 2-369
  - BUS:B<x>:SMBUS:DATA:THReshold, 2-370
  - BUS:B<x>:SMBUS:PEC:VALUe, 2-370
  - BUS:B<x>:SPACEWIRE:BITRate, 2-371
  - BUS:B<x>:SPACEWIRE:DATA:SOUrce, 2-372
  - BUS:B<x>:SPACEWIRE:DATA:THReshold, 2-372
  - BUS:B<x>:SPACEWIRE:DECode:TYPe, 2-373
  - BUS:B<x>:SPACEWIRE:STRobe:SOUrce, 2-374
  - BUS:B<x>:SPACEWIRE:STRobe:THReshold, 2-374
  - BUS:B<x>:SPACEWIRE:SYNC, 2-375
  - BUS:B<x>:SPACEWIRE:SYNC:COUnt, 2-376
  - BUS:B<x>:SPACEWIRE:SYNC:PATtern, 2-376
  - BUS:B<x>:SPACEWIRE:SYNC:VALUe, 2-377
  - BUS:B<x>:SPI:BITOrder, 2-377
  - BUS:B<x>:SPI:CLOCK:POLarity, 2-378
  - BUS:B<x>:SPI:CLOCK:SOUrce, 2-379
  - BUS:B<x>:SPI:CLOCK:THReshold, 2-379
  - BUS:B<x>:SPI:DATA:POLarity, 2-380
  - BUS:B<x>:SPI:DATA:SIZE, 2-380
  - BUS:B<x>:SPI:DATA:SOUrce, 2-381
  - BUS:B<x>:SPI:DATA:THReshold, 2-382
  - BUS:B<x>:SPI:FRAMING, 2-382
  - BUS:B<x>:SPI:IDLETime, 2-383
  - BUS:B<x>:SPI:MISo:DATA:POLarity, 2-383
  - BUS:B<x>:SPI:MISo:INPut, 2-384
  - BUS:B<x>:SPI:MISo:THReshold, 2-385
  - BUS:B<x>:SPI:MOSi:DATA:POLarity, 2-385
  - BUS:B<x>:SPI:MOSi:INPut, 2-386
  - BUS:B<x>:SPI:MOSi:THReshold, 2-386
  - BUS:B<x>:SPI:NUMBer:INputs, 2-387
  - BUS:B<x>:SPI:SELEct:POLarity, 2-387
  - BUS:B<x>:SPI:SELEct:SOUrce, 2-388
  - BUS:B<x>:SPI:SELEct:THReshold, 2-389
  - BUS:B<x>:SPMI:SCLk:SOUrce, 2-389
  - BUS:B<x>:SPMI:SCLk:THReshold, 2-390
  - BUS:B<x>:SPMI:SDATA:SOUrce, 2-391
  - BUS:B<x>:SPMI:SDATA:THReshold, 2-392
  - BUS:B<x>:SVID:ALERT:SOUrce, 2-392
  - BUS:B<x>:SVID:ALERT:THReshold, 2-393
  - BUS:B<x>:SVID:CLOCK:SOUrce, 2-393
  - BUS:B<x>:SVID:CLOCK:THReshold, 2-394
  - BUS:B<x>:SVID:DATA:SOUrce, 2-395
  - BUS:B<x>:SVID:DATA:THReshold, 2-395
  - BUS:B<x>:TYPe, 2-396
  - BUS:B<x>:USB:BITRate, 2-397
  - BUS:B<x>:USB:DATAMINUSTHRESHold, 2-398
  - BUS:B<x>:USB:DATAPLUSTHRESHold, 2-398
  - BUS:B<x>:USB:DISPlaymode, 2-399
  - BUS:B<x>:USB:LOWTHRESHold, 2-399
  - BUS:B<x>:USB:SIGNALTYpe, 2-400
  - BUS:B<x>:USB:SOUrce, 2-400
  - BUS:B<x>:USB:SOUrce:DMINus, 2-401
  - BUS:B<x>:USB:SOUrce:DPLUs, 2-402
  - BUS:B<x>:USB:THRESHold, 2-403
  - BUS:DELEte, 2-403
  - BUS:LIST?, 2-404
  - BUSTABLE:ADDNew, 2-404
  - BUSTABLE:DELEte, 2-404
  - BUSTABLE:LIST?, 2-405
  - BUSY?, 2-405
- ## C
- \*CAL?, 2-406
  - CALibrate?, 2-406
  - CALibrate:INTERNal, 2-407
  - CALibrate:INTERNal:STARt, 2-407
  - CALibrate:INTERNal:STATus?, 2-408

CALibrate:PWRUpstatus?, 2-408  
CALLOUTS:ADDNew , 2-409  
CALLOUTS:CALLOUT<x>:BOOKMark:  
SOURCE, 2-409  
CALLOUTS:CALLOUT<x>:BOOKMark:  
XPOS, 2-410  
CALLOUTS:CALLOUT<x>:COLOR, 2-410  
CALLOUTS:CALLOUT<x>:DISPLAYPOSITION:  
X, 2-411  
CALLOUTS:CALLOUT<x>:DISPLAYPOSITION:  
Y, 2-411  
CALLOUTS:CALLOUT<x>:FONT:BOLD, 2-411  
CALLOUTS:CALLOUT<x>:FONT:ITALIC, 2-412  
CALLOUTS:CALLOUT<x>:FONT:SIZE, 2-412  
CALLOUTS:CALLOUT<x>:FONT:TYPE, 2-413  
CALLOUTS:CALLOUT<x>:FONT:  
UNDERLine, 2-413  
CALLOUTS:CALLOUT<x>:TEXT, 2-414  
CALLOUTS:CALLOUT<x>:TYPE, 2-414  
CALLOUTS:DELeTe, 2-415  
CH<x>?, 2-415  
CH<x>:BANdwidth, 2-415  
CH<x>:BANdwidth:FILTer:OPTIMIZAtion, 2-416  
CH<x>:CLIPping?, 2-417  
CH<x>:COUPLing, 2-417  
CH<x>\_D<x>:LABel:COLor, 2-447  
CH<x>\_D<x>:LABel:FONT:BOLD, 2-448  
CH<x>\_D<x>:LABel:FONT:ITALic, 2-448  
CH<x>\_D<x>:LABel:FONT:SIZE, 2-449  
CH<x>\_D<x>:LABel:FONT:TYPE, 2-449  
CH<x>\_D<x>:LABel:FONT:UNDERline, 2-450  
CH<x>\_D<x>:LABel:NAME, 2-450  
CH<x>\_DALL:LABel:COLor, 2-444  
CH<x>\_DALL:LABel:FONT:BOLD, 2-444  
CH<x>\_DALL:LABel:FONT:ITALic, 2-445  
CH<x>\_DALL:LABel:FONT:SIZE, 2-445  
CH<x>\_DALL:LABel:FONT:TYPE, 2-446  
CH<x>\_DALL:LABel:FONT:UNDERline, 2-446  
CH<x>\_DALL:LABel:NAME, 2-447  
CH<x>:DESKew, 2-418  
CH<x>:DITHErRange, 2-418  
CH<x>:INVert, 2-419  
CH<x>:LABel:COLor, 2-419  
CH<x>:LABel:FONT:BOLD, 2-420  
CH<x>:LABel:FONT:ITALic, 2-420  
CH<x>:LABel:FONT:SIZE, 2-421  
CH<x>:LABel:FONT:TYPE, 2-421  
CH<x>:LABel:FONT:UNDERline, 2-422  
CH<x>:LABel:NAME, 2-422  
CH<x>:LABel:XPOS, 2-423  
CH<x>:LABel:YPOS, 2-423  
CH<x>:OFFSet, 2-424  
CH<x>:POSItion, 2-424  
CH<x>:PRObe?, 2-425  
CH<x>:PRObe:AUTOZero, 2-425  
CH<x>:PRObe:COMPensate, 2-425  
CH<x>:PRObe:DEGAUSS, 2-426  
CH<x>:PRObe:DEGAUSS:STATE?, 2-426  
CH<x>:PRObe:FORCEDRange, 2-427  
CH<x>:PRObe:GAIN?, 2-427  
CH<x>:PRObe:ID?, 2-428  
CH<x>:PRObe:ID:SERnumber?, 2-428  
CH<x>:PRObe:ID:TYPe?, 2-428  
CH<x>:PRObe:INPUTMode, 2-429  
CH<x>:PRObe:INPUTMode:AOFFSet, 2-429  
CH<x>:PRObe:INPUTMode:BOFFSet, 2-430  
CH<x>:PRObe:INPUTMode:COFFSet, 2-430  
CH<x>:PRObe:INPUTMode:DOFFSet, 2-431  
CH<x>:PRObe:RESistance?, 2-432  
CH<x>:PRObe:SELFCal, 2-432  
CH<x>:PRObe:SELFCal:State?, 2-432  
CH<x>:PRObe:SET, 2-433  
CH<x>:PRObe:STATus?, 2-433  
CH<x>:PRObe:UNIts?, 2-434  
CH<x>:PROBECal?, 2-434  
CH<x>:PROBECOntrol, 2-435  
CH<x>:PROBEFunc:EXTAtten, 2-436  
CH<x>:PROBEFunc:EXTDBatten, 2-436  
CH<x>:PROBEFunc:EXTUnits, 2-437  
CH<x>:PROBEFunc:EXTUnits:STATE, 2-437  
CH<x>:PROBETYPE?, 2-438  
CH<x>:SCALE, 2-438  
CH<x>:SCALERATio, 2-439  
CH<x>:SV:CENTERFrequency, 2-439  
CH<x>:SV:POSItion, 2-440  
CH<x>:SV:SPANABovebw?, 2-440  
CH<x>:SV:SPANBELowdc?, 2-441  
CH<x>:SV:STARTFrequency?, 2-441  
CH<x>:SV:STATE, 2-442  
CH<x>:SV:STOPFrequency?, 2-442  
CH<x>:TERmination, 2-443  
CH<x>:VTERm:BIAS, 2-443  
CLEAR, 2-451  
\*CLS, 2-451



Command Groups, 2-11  
 CONFIGuration:ANALog:BANDWidth?, 2-452  
 CONNected:REQUested:STATus , 2-452  
 CONNected:STATus?, 2-453  
 CONNected:USAGe:TRack:REQUested:  
     STATus, 2-453  
 CONNected:USAGe:TRack:STATus?, 2-454  
 CURVe?, 2-454  
 CURVEStream?, 2-457  
 CUSTOMTABLE:ADDNew, 2-458  
 CUSTOMTABLE:DELeTe, 2-458  
 CUSTOMTABLE:LIST?, 2-459

## D

DATa, 2-459  
 DATa:ENCdg, 2-460  
 DATa:FRAMEStArT, 2-462  
 DATa:FRAMEStOP, 2-462  
 DATa:MODe , 2-463  
 DATa:RESAmple, 2-463  
 DATa:SOUrce, 2-464  
 DATa:SOUrce:AVAILAbLe?, 2-465  
 DATa:StArT, 2-466  
 DATa:StOP, 2-466  
 DATa:WIDth, 2-467  
 DATE?, 2-468  
 \*DDT, 2-469  
 DESE, 2-469  
 DIAg:LOOP:OPTion, 2-470  
 DIAg:LOOP:OPTion:NTIMes, 2-471  
 DIAg:LOOP:StOP, 2-471  
 DIAg:MODe, 2-471  
 DIAg:RESUlT?, 2-472  
 DIAg:RESUlT:FLAg?, 2-472  
 DIAg:RESUlT:LOG?, 2-473  
 DIAg:SELeCt, 2-473  
 DIAg:StATE, 2-474  
 DIGGRP<x>:D<x>:THReshold, 2-474  
 DISPlay?, 2-475  
 DISPlay: {CH<x>|MATH<x>|REF<x>}:  
     INVERTColor, 2-475  
 DISPlay: {CH<x>|MATH<x>|REF<x>}:  
     NORMALColor, 2-476  
 DISPlay:COLors, 2-477  
 DISPlay:GLObal:B<x>:StATE, 2-477  
 DISPlay:GLObal:CH<x>:StATE, 2-478  
 DISPlay:GLObal:MATH<x>:StATE, 2-478

DISPlay:GLObal:PLOT<x>:StATE, 2-479  
 DISPlay:GLObal:REF<x>:StATE, 2-480  
 DISPlay:INTENSITy?, 2-480  
 DISPlay:INTENSITy:BACKLIght, 2-480  
 DISPlay:INTENSITy:BACKLIght:AUTOdim:  
     ENAbLe, 2-481  
 DISPlay:INTENSITy:BACKLIght:AUTOdim:  
     TIME, 2-482  
 DISPlay:MATHFFTView<x>:AUTOScale, 2-483  
 DISPlay:MATHFFTView<x>:CURSor:  
     ASOUrce?, 2-483  
 DISPlay:MATHFFTView<x>:CURSor:  
     BSOUrce?, 2-484  
 DISPlay:MATHFFTView<x>:CURSor:DDT?, 2-484  
 DISPlay:MATHFFTView<x>:CURSor:  
     FUNCTion, 2-485  
 DISPlay:MATHFFTView<x>:CURSor:HBArS:  
     APOSition, 2-485  
 DISPlay:MATHFFTView<x>:CURSor:HBArS:  
     AUNIts?, 2-486  
 DISPlay:MATHFFTView<x>:CURSor:HBArS:  
     BPOSition, 2-486  
 DISPlay:MATHFFTView<x>:CURSor:HBArS:  
     BUNIts?, 2-487  
 DISPlay:MATHFFTView<x>:CURSor:HBArS:  
     DELTA?, 2-487  
 DISPlay:MATHFFTView<x>:CURSor:MODe, 2-487  
 DISPlay:MATHFFTView<x>:CURSor:  
     ONEOVERDELTAVALUE?, 2-488  
 DISPlay:MATHFFTView<x>:CURSor:  
     ROLOCATION, 2-482  
 DISPlay:MATHFFTView<x>:CURSor:SCREEN:  
     AXPOSition, 2-488  
 DISPlay:MATHFFTView<x>:CURSor:SCREEN:  
     AYPOSition, 2-489  
 DISPlay:MATHFFTView<x>:CURSor:SCREEN:  
     BXPOSition, 2-489  
 DISPlay:MATHFFTView<x>:CURSor:SCREEN:  
     BYPOSition, 2-490  
 DISPlay:MATHFFTView<x>:CURSor:StATE, 2-490  
 DISPlay:MATHFFTView<x>:CURSor:VBArS:  
     APOSition, 2-491  
 DISPlay:MATHFFTView<x>:CURSor:VBArS:  
     AUNIts?, 2-492  
 DISPlay:MATHFFTView<x>:CURSor:VBArS:  
     BPOSition, 2-492

- DISplay:MATHFFTView<x>:CURSor:VBArS:  
BUNIts?, 2-492
- DISplay:MATHFFTView<x>:CURSor:VBArS:  
DELTA?, 2-493
- DISplay:MATHFFTView<x>:CURSor:WAVEform:  
APOSition, 2-493
- DISplay:MATHFFTView<x>:CURSor:WAVEform:  
BPOSition, 2-494
- DISplay:MATHFFTView<x>:GRIDlines, 2-494
- DISplay:MATHFFTView<x>:MATH:MATH<x>:  
STATE, 2-495
- DISplay:MATHFFTView<x>:XAXIS:SCALE, 2-495
- DISplay:MATHFFTView<x>:YAXIS:SCALE, 2-496
- DISplay:MATHFFTView<x>:ZOOM:XAXIS:  
FROM, 2-496
- DISplay:MATHFFTView<x>:ZOOM:XAXIS:  
TO, 2-497
- DISplay:MATHFFTView<x>:ZOOM:YAXIS:  
FROM, 2-497
- DISplay:MATHFFTView<x>:ZOOM:YAXIS:  
TO, 2-498
- DISplay:MEAS<x>:NAVIGate:TYPE, 2-498
- DISplay:PERsistence, 2-499
- DISplay:PERsistence:RESET, 2-500
- DISplay:PLOTView<x>:AUTOScale, 2-501
- DISplay:PLOTView<x>:CURSor:ASOURce?, 2-501
- DISplay:PLOTView<x>:CURSor:BSOURce?, 2-502
- DISplay:PLOTView<x>:CURSor:DDT?, 2-502
- DISplay:PLOTView<x>:CURSor:FUNcTION, 2-502
- DISplay:PLOTView<x>:CURSor:HBArs:  
APOSition, 2-503
- DISplay:PLOTView<x>:CURSor:HBArs:  
AUNIts?, 2-503
- DISplay:PLOTView<x>:CURSor:HBArs:  
BPOSition, 2-504
- DISplay:PLOTView<x>:CURSor:HBArs:  
BUNIts?, 2-504
- DISplay:PLOTView<x>:CURSor:HBArs:  
DELTA?, 2-505
- DISplay:PLOTView<x>:CURSor:MODE, 2-505
- DISplay:PLOTView<x>:CURSor:  
ONEOVERDELTAVALUE?, 2-506
- DISplay:PLOTView<x>:CURSor:  
ROLOCATION, 2-500
- DISplay:PLOTView<x>:CURSor:SCREEN:  
AXPOSition, 2-506
- DISplay:PLOTView<x>:CURSor:SCREEN:  
AYPOSition, 2-507
- DISplay:PLOTView<x>:CURSor:SCREEN:  
BXPOSition, 2-507
- DISplay:PLOTView<x>:CURSor:SCREEN:  
BYPOSition, 2-508
- DISplay:PLOTView<x>:CURSor:  
SPLITMODE, 2-508
- DISplay:PLOTView<x>:CURSor:STATE, 2-509
- DISplay:PLOTView<x>:CURSor:VBArS:  
APOSition, 2-509
- DISplay:PLOTView<x>:CURSor:VBArS:  
BPOSition, 2-510
- DISplay:PLOTView<x>:CURSor:VBArS:  
DELTA?, 2-510
- DISplay:PLOTView<x>:CURSor:VBArS:  
UNIts?, 2-511
- DISplay:PLOTView<x>:CURSor:WAVEform:  
APOSition, 2-511
- DISplay:PLOTView<x>:CURSor:WAVEform:  
BPOSition, 2-512
- DISplay:PLOTView<x>:GRIDlines, 2-512
- DISplay:PLOTView<x>:XAXIS:SCALE, 2-513
- DISplay:PLOTView<x>:YAXIS:SCALE, 2-514
- DISplay:PLOTView<x>:ZOOM:XAXIS:  
FROM, 2-514
- DISplay:PLOTView<x>:ZOOM:XAXIS:TO, 2-515
- DISplay:PLOTView<x>:ZOOM:YAXIS:  
FROM, 2-515
- DISplay:PLOTView<x>:ZOOM:YAXIS:TO, 2-516
- DISplay:REFFFTView<x>:AUTOScale, 2-517
- DISplay:REFFFTView<x>:CURSor:  
ASOURce?, 2-517
- DISplay:REFFFTView<x>:CURSor:  
BSOURce?, 2-518
- DISplay:REFFFTView<x>:CURSor:DDT?, 2-518
- DISplay:REFFFTView<x>:CURSor:  
FUNcTION, 2-519
- DISplay:REFFFTView<x>:CURSor:HBArs:  
APOSition, 2-519
- DISplay:REFFFTView<x>:CURSor:HBArs:  
AUNIts?, 2-520
- DISplay:REFFFTView<x>:CURSor:HBArs:  
BPOSition, 2-520
- DISplay:REFFFTView<x>:CURSor:HBArs:  
BUNIts?, 2-521

- DISplay:REFFFTView<x>:CURSor:HBArs:  
DELTA?, 2-521
- DISplay:REFFFTView<x>:CURSor:MODE, 2-522
- DISplay:REFFFTView<x>:CURSor:  
ONEOVERDELTATVALUE?, 2-522
- DISplay:REFFFTView<x>:CURSor:  
ROLOCATION, 2-516
- DISplay:REFFFTView<x>:CURSor:SCREEN:  
AXPOSITION, 2-523
- DISplay:REFFFTView<x>:CURSor:SCREEN:  
AYPOSITION, 2-523
- DISplay:REFFFTView<x>:CURSor:SCREEN:  
BXPOSITION, 2-524
- DISplay:REFFFTView<x>:CURSor:SCREEN:  
BYPOSITION, 2-524
- DISplay:REFFFTView<x>:CURSor:  
SPLITMODE, 2-525
- DISplay:REFFFTView<x>:CURSor:STATE, 2-525
- DISplay:REFFFTView<x>:CURSor:VBArS:  
APOSITION, 2-526
- DISplay:REFFFTView<x>:CURSor:VBArS:  
BPOSITION, 2-526
- DISplay:REFFFTView<x>:CURSor:VBArS:  
DELTA?, 2-527
- DISplay:REFFFTView<x>:CURSor:VBArS:  
UNITS?, 2-527
- DISplay:REFFFTView<x>:CURSor:WAVEform:  
AHPOSITION?, 2-528
- DISplay:REFFFTView<x>:CURSor:WAVEform:  
APOSITION, 2-528
- DISplay:REFFFTView<x>:CURSor:WAVEform:  
AVPOSITION?, 2-529
- DISplay:REFFFTView<x>:CURSor:WAVEform:  
BHPOSITION?, 2-529
- DISplay:REFFFTView<x>:CURSor:WAVEform:  
BPOSITION, 2-530
- DISplay:REFFFTView<x>:CURSor:WAVEform:  
BVPOSITION?, 2-530
- DISplay:REFFFTView<x>:GRIDlines, 2-531
- DISplay:REFFFTView<x>:REF:REF<x>:  
STATE, 2-531
- DISplay:REFFFTView<x>:XAXIS:SCALE, 2-532
- DISplay:REFFFTView<x>:ZOOM:XAXIS:  
FROM, 2-532
- DISplay:REFFFTView<x>:ZOOM:XAXIS:TO, 2-533
- DISplay:REFFFTView<x>:ZOOM:YAXIS:  
FROM, 2-533
- DISplay:REFFFTView<x>:ZOOM:YAXIS:TO, 2-534
- DISplay:SELEct:BUS, 2-534
- DISplay:SELEct:MATH, 2-535
- DISplay:SELEct:REFErence, 2-535
- DISplay:SELEct:SOUrce, 2-535
- DISplay:SELEct:SPEcView<x>:SOUrce, 2-536
- DISplay:SELEct:VIEW, 2-537
- DISplay:SELEct:WAVEView<x>:SOUrce, 2-537
- DISplay:SPEcView<x>:CH<x>:VERTical:  
POSITION, 2-538
- DISplay:SPEcView<x>:CH<x>:VERTical:  
SCALE, 2-538
- DISplay:SPEcView<x>:CURSor:CURSOR:  
ANOISEDensity?, 2-539
- DISplay:SPEcView<x>:CURSor:CURSOR:  
ASOUrce, 2-539
- DISplay:SPEcView<x>:CURSor:CURSOR:  
BNOISE?, 2-540
- DISplay:SPEcView<x>:CURSor:CURSOR:  
BSOUrce, 2-540
- DISplay:SPEcView<x>:CURSor:CURSOR:HBArs:  
APOSITION, 2-541
- DISplay:SPEcView<x>:CURSor:CURSOR:HBArs:  
AUNITS?, 2-541
- DISplay:SPEcView<x>:CURSor:CURSOR:HBArs:  
BPOSITION, 2-542
- DISplay:SPEcView<x>:CURSor:CURSOR:HBArs:  
BUNITS?, 2-542
- DISplay:SPEcView<x>:CURSor:CURSOR:  
READout, 2-543
- DISplay:SPEcView<x>:CURSor:CURSOR:  
SPLITMODE, 2-544
- DISplay:SPEcView<x>:CURSor:CURSOR:  
STATE, 2-544
- DISplay:SPEcView<x>:CURSor:CURSOR:VBArS:  
APOSITION, 2-545
- DISplay:SPEcView<x>:CURSor:CURSOR:VBArS:  
BPOSITION, 2-545
- DISplay:SPEcView<x>:CURSor:CURSOR:VBArS:  
UNITS?, 2-546
- DISplay:SPEcView<x>:CURSor:CURSOR:  
WAVEform:APOSITION, 2-546
- DISplay:SPEcView<x>:CURSor:CURSOR:  
WAVEform:BPOSITION, 2-547
- DISplay:SPEcView<x>:GRATICule, 2-548
- DISplay:SPEcView<x>:HORIZ, 2-547

- DISplay:SPECView<x>:INTENSITY:  
GRATicule, 2-548
- DISplay:SPECView<x>:INTENSITY:  
WAVEform, 2-549
- DISplay:SPECView<x>:VIEWStyle, 2-550
- DISplay:VARpersist, 2-550
- DISplay:WAVEform, 2-551
- DISplay:WAVEView:CURSOR:CURSOR1:  
ROLOCATION, 2-551
- DISplay:WAVEView:GRIDTYPE, 2-552
- DISplay:WAVEView<x>:BUS:B<x>:STATE, 2-552
- DISplay:WAVEView<x>:BUS:B<x>:VERTical:  
POSition, 2-553
- DISplay:WAVEView<x>:CH<x>\_D<x>:  
STATE, 2-556
- DISplay:WAVEView<x>:CH<x>\_DALL:  
STATE, 2-555
- DISplay:WAVEView<x>:CH<x>\_DALL:VERTical:  
POSition, 2-556
- DISplay:WAVEView<x>:CH<x>:STATE, 2-553
- DISplay:WAVEView<x>:CH<x>:VERTical:  
POSition, 2-554
- DISplay:WAVEView<x>:CH<x>:VERTical:  
SCALE, 2-554
- DISplay:WAVEView<x>:CURSor?, 2-557
- DISplay:WAVEView<x>:CURSOR:CURSOR:  
WAVEform:ALL:Values?, 2-572
- DISplay:WAVEView<x>:CURSOR:CURSOR:  
WAVEform:AVPOSITION?, 2-571
- DISplay:WAVEView<x>:CURSOR:CURSOR:  
WAVEform:BVPOSITION?, 2-572
- DISplay:WAVEView<x>:CURSOR:  
CURSOR<x>?, 2-557
- DISplay:WAVEView<x>:CURSOR:CURSOR<x>:  
ASOURce, 2-558
- DISplay:WAVEView<x>:CURSOR:CURSOR<x>:  
BSOURce, 2-559
- DISplay:WAVEView<x>:CURSOR:CURSOR<x>:  
DDT?, 2-559
- DISplay:WAVEView<x>:CURSOR:CURSOR<x>:  
FUNCTION, 2-560
- DISplay:WAVEView<x>:CURSOR:CURSOR<x>:  
HBARS:APOSITION, 2-561
- DISplay:WAVEView<x>:CURSOR:CURSOR<x>:  
HBARS:AUNIts?, 2-561
- DISplay:WAVEView<x>:CURSOR:CURSOR<x>:  
HBARS:BPOSITION, 2-562
- DISplay:WAVEView<x>:CURSOR:CURSOR<x>:  
HBARS:BUNIts?, 2-562
- DISplay:WAVEView<x>:CURSOR:CURSOR<x>:  
HBARS:DELTA?, 2-563
- DISplay:WAVEView<x>:CURSOR:CURSOR<x>:  
MODE, 2-563
- DISplay:WAVEView<x>:CURSOR:CURSOR<x>:  
ONEOVERDELTAVALUE?, 2-564
- DISplay:WAVEView<x>:CURSOR:CURSOR<x>:  
SCREEN:AXPOSITION, 2-564
- DISplay:WAVEView<x>:CURSOR:CURSOR<x>:  
SCREEN:AYPOSITION, 2-565
- DISplay:WAVEView<x>:CURSOR:CURSOR<x>:  
SCREEN:BXPOSITION, 2-566
- DISplay:WAVEView<x>:CURSOR:CURSOR<x>:  
SCREEN:BYPOSITION, 2-566
- DISplay:WAVEView<x>:CURSOR:CURSOR<x>:  
SPLITMODE, 2-567
- DISplay:WAVEView<x>:CURSOR:CURSOR<x>:  
STATE, 2-567
- DISplay:WAVEView<x>:CURSOR:CURSOR<x>:  
VBARS:APOSITION, 2-568
- DISplay:WAVEView<x>:CURSOR:CURSOR<x>:  
VBARS:BPOSITION, 2-569
- DISplay:WAVEView<x>:CURSOR:CURSOR<x>:  
VBARS:DELTA?, 2-569
- DISplay:WAVEView<x>:CURSOR:CURSOR<x>:  
VBARS:UNIts?, 2-570
- DISplay:WAVEView<x>:CURSOR:CURSOR<x>:  
WAVEform:APOSITION, 2-570
- DISplay:WAVEView<x>:CURSOR:CURSOR<x>:  
WAVEform:BPOSITION, 2-571
- DISplay:WAVEView<x>:FILTER, 2-573
- DISplay:WAVEView<x>:GRATicule, 2-573
- DISplay:WAVEView<x>:INTENSITY:  
GRATicule, 2-574
- DISplay:WAVEView<x>:INTENSITY:  
WAVEform, 2-575
- DISplay:WAVEView<x>:MATH:MATH<x>:  
AUTOScale, 2-575
- DISplay:WAVEView<x>:MATH:MATH<x>:  
STATE, 2-576
- DISplay:WAVEView<x>:MATH:MATH<x>:  
VERTical:POSition, 2-576
- DISplay:WAVEView<x>:MATH:MATH<x>:  
VERTical:SCALE, 2-577

- DISplay:WAVEView<x>:PLOT:PLOT<x>:  
 AUTOScale, 2-577  
 DISplay:WAVEView<x>:PLOT:PLOT<x>:  
 STATE, 2-578  
 DISplay:WAVEView<x>:PLOT:PLOT<x>:VERTical:  
 POSition, 2-578  
 DISplay:WAVEView<x>:PLOT:PLOT<x>:VERTical:  
 SCALe, 2-579  
 DISplay:WAVEView<x>:REF:REF<x>:  
 STATE, 2-579  
 DISplay:WAVEView<x>:REF:REF<x>:VERTical:  
 POSition, 2-580  
 DISplay:WAVEView<x>:REF:REF<x>:VERTical:  
 SCALe, 2-580  
 DISplay:WAVEView<x>:REF<x>\_DALL:  
 FRAME, 2-591  
 DISplay:WAVEView<x>:RF\_FREQUency<x>:  
 VERTical:POSition, 2-581  
 DISplay:WAVEView<x>:RF\_FREQUency<x>:  
 VERTical:SCALe, 2-582  
 DISplay:WAVEView<x>:RF\_MAGNitude<x>:  
 VERTical:POSition, 2-582  
 DISplay:WAVEView<x>:RF\_MAGNitude<x>:  
 VERTical:SCALe, 2-583  
 DISplay:WAVEView<x>:RF\_PHASe<x>:VERTical:  
 POSition, 2-584  
 DISplay:WAVEView<x>:RF\_PHASe<x>:VERTical:  
 SCALe, 2-584  
 DISplay:WAVEView<x>:STYle, 2-585  
 DISplay:WAVEView<x>:VIEWStyle, 2-585  
 DISplay:WAVEView<x>:ZOOM?, 2-586  
 DISplay:WAVEView<x>:ZOOM:ZOOM<x>?, 2-586  
 DISplay:WAVEView<x>:ZOOM:ZOOM<x>:  
 HORizontal:POSition, 2-587  
 DISplay:WAVEView<x>:ZOOM:ZOOM<x>:  
 HORizontal:SCALe, 2-588  
 DISplay:WAVEView<x>:ZOOM:ZOOM<x>:  
 HORizontal:WINSALe, 2-588  
 DISplay:WAVEView<x>:ZOOM:ZOOM<x>:  
 STATe, 2-589  
 DISplay:WAVEView<x>:ZOOM:ZOOM<x>:  
 VERTical:POSition, 2-589  
 DISplay:WAVEView<x>:ZOOM:ZOOM<x>:  
 VERTical:SCALe, 2-590  
 DISplay:WAVEView<y>:REF:REF<x>:  
 FRAME, 2-591  
 DVM, 2-592  
 DVM:AUTORange, 2-592  
 DVM:MEASUrement:FREQUency?, 2-593  
 DVM:MEASUrement:HIStory:AVerage?, 2-593  
 DVM:MEASUrement:HIStory:MAXimum?, 2-593  
 DVM:MEASUrement:HIStory:MINimum?, 2-594  
 DVM:MEASUrement:INFMAXimum?, 2-594  
 DVM:MEASUrement:INFMINimum?, 2-595  
 DVM:MEASUrement:VALue?, 2-595  
 DVM:MODE, 2-596  
 DVM:SOURce, 2-596  
 DVM:TRIGger:FREQUency:COUNTer, 2-597
- ## E
- \*ESE, 2-597  
 \*ESR?, 2-598  
 ETHERnet:DHCPbootp, 2-599  
 ETHERnet:DNS:IPADDRESS, 2-599  
 ETHERnet:DOMAINname, 2-600  
 ETHERnet:ENET:ADDRESS?, 2-600  
 ETHERnet:GATEWay:IPADDRESS, 2-600  
 ETHERnet:IPADDRESS, 2-601  
 ETHERnet:LXI:LAN:RESET, 2-601  
 ETHERnet:LXI:LAN:SERVICENAME, 2-602  
 ETHERnet:LXI:LAN:STATus?, 2-602  
 ETHERnet:NAME, 2-603  
 ETHERnet:NETWORKCONFig, 2-603  
 ETHERnet:PING, 2-604  
 ETHERnet:PING:STATus?, 2-604  
 ETHERnet:SUBNETMask, 2-605  
 EVENT?, 2-605  
 EVMsg?, 2-606  
 EVQty?, 2-607  
 EYEMASK:MASK<x>:COUNt:HITS?, 2-607  
 EYEMASK:MASK<x>:COUNt:SEG<y>:  
 HITS?, 2-608  
 EYEMASK:MASK<x>:CREATOR?, 2-608  
 EYEMASK:MASK<x>:ENABled, 2-609  
 EYEMASK:MASK<x>:MASKfile, 2-609  
 EYEMASK:MASK<x>:MASKOffset:HORizontal:  
 AUTOfit?, 2-610  
 EYEMASK:MASK<x>:TEST:SAMple:  
 THReshold, 2-611  
 EYEMASK:MASK<x>:TEST:STATUS?, 2-611
- ## F
- FACtory, 2-612

FILESystem?, 2-613  
 FILESystem:COpy, 2-613  
 FILESystem:CWD, 2-614  
 FILESystem:DELEte, 2-615  
 FILESystem:DIR?, 2-615  
 FILESystem:HOMEDir?, 2-616  
 FILESystem:LDIR?, 2-616  
 FILESystem:MKDir, 2-617  
 FILESystem:MOUNT:DRIVE, 2-617  
 FILESystem:MOUNT:TEKDrive, 2-618  
 FILESystem:READFile, 2-619  
 FILESystem:REName, 2-620  
 FILESystem:RMDir, 2-620  
 FILESystem:TEKDrive:CODE?, 2-621  
 FILESystem:TEKDrive:CODE:EXPIrytime?, 2-621  
 FILESystem:TEKDrive:CODE:STATus?, 2-622  
 FILESystem:UNMOUNT:DRive, 2-622  
 FILESystem:UNMOUNT:TEKDrive, 2-623  
 FILESystem:WRITEFile, 2-623  
 FPanel:PRESS, 2-623  
 FPanel:TURN, 2-625

## H

HEADer, 2-625  
 HISTogram:ADDNew, 2-626  
 HISTogram:DELEte, 2-627  
 HISTogram:DELETEALL, 2-627  
 HISTogram:HISTogram<x>:BOX, 2-627  
 HISTogram:HISTogram<x>:BSTate, 2-628  
 HISTogram:HISTogram<x>:DATA?, 2-629  
 HISTogram:HISTogram<x>:DISPlay, 2-629  
 HISTogram:HISTogram<x>:FUNction, 2-630  
 HISTogram:HISTogram<x>:MEASurement:  
   COUNT, 2-630  
 HISTogram:HISTogram<x>:MEASurement:  
   HITS, 2-631  
 HISTogram:HISTogram<x>:MEASurement:  
   MAX, 2-631  
 HISTogram:HISTogram<x>:MEASurement:  
   MEAN, 2-632  
 HISTogram:HISTogram<x>:MEASurement:  
   MEDian, 2-632  
 HISTogram:HISTogram<x>:MEASurement:  
   MIN, 2-633  
 HISTogram:HISTogram<x>:MEASurement:  
   MODE, 2-633  
 HISTogram:HISTogram<x>:MEASurement:  
   ONESigma, 2-634  
 HISTogram:HISTogram<x>:MEASurement:  
   PHITs, 2-634  
 HISTogram:HISTogram<x>:MEASurement:  
   PK2PK, 2-635  
 HISTogram:HISTogram<x>:MEASurement:  
   RESUlts?, 2-635  
 HISTogram:HISTogram<x>:MEASurement:  
   STDDev, 2-637  
 HISTogram:HISTogram<x>:MEASurement:  
   THRSigma, 2-637  
 HISTogram:HISTogram<x>:MEASurement:  
   TWOSigma, 2-638  
 HISTogram:HISTogram<x>:SAVE, 2-638  
 HISTogram:HISTogram<x>:SIZE, 2-639  
 HISTogram:HISTogram<x>:SOUrce, 2-639  
 HISTogram:HISTogram<x>:STATE, 2-640  
 HISTogram:HISTogram<x>:TRANSparency, 2-640  
 HISTogram:LIST?, 2-641  
 HORizontal?, 2-641  
 HORizontal:ACQDURATION?, 2-642  
 HORizontal:DELay:MODE, 2-642  
 HORizontal:DELay:TIME, 2-643  
 HORizontal:DIVisions?, 2-643  
 HORizontal:FASTframe?, 2-643  
 HORizontal:FASTframe:COUNt, 2-644  
 HORizontal:FASTframe:MAXFRames?, 2-644  
 HORizontal:FASTframe:MULtipleframes:  
   MODE, 2-645  
 HORizontal:FASTframe:REF:FRame, 2-645  
 HORizontal:FASTframe:REF:INCLUde, 2-645  
 HORizontal:FASTframe:SELECTED, 2-646  
 HORizontal:FASTframe:STATE, 2-646  
 HORizontal:FASTframe:SUMFrame, 2-647  
 HORizontal:FASTframe:SUMFrame:STATE, 2-647  
 HORizontal:FASTframe:TIMEStamp:ALL?, 2-648  
 HORizontal:FASTframe:TIMEStamp:DELTA?, 2-648  
 HORizontal:FASTframe:TIMEStamp:  
   REFerence?, 2-649  
 HORizontal:FASTframe:TIMEStamp:  
   SELECTED?, 2-649  
 HORizontal:FASTframe:XZErO:ALL?, 2-649  
 HORizontal:FASTframe:XZErO:REF?, 2-650  
 HORizontal:FASTframe:XZErO:SELECTED?, 2-650  
 HORizontal:HISTory:CSTATs, 2-651  
 HORizontal:HISTory:OVERlay, 2-651

HORizontal:HISTory:REF:ACQ, 2-652  
 HORizontal:HISTory:REF:INClude, 2-652  
 HORizontal:HISTory:SELEcted, 2-653  
 HORizontal:HISTory:STATe, 2-653  
 HORizontal:HISTory:TIMESTamp:DELTA?, 2-654  
 HORizontal:HISTory:TIMESTamp:REFerence?, 2-654  
 HORizontal:HISTory:TIMESTamp:  
     SELECTED?, 2-655  
 HORizontal:MAIn:INTERPRatio?, 2-655  
 HORizontal:MODE, 2-655  
 HORizontal:MODE:AUTOMatic:FASTAcq:  
     RECOrdlength:MAXimum:VALue, 2-656  
 HORizontal:MODE:AUTOMatic:  
     FASTAcq:RECOrdlength:MAXimum:  
     ZOOMOVERride, 2-656  
 HORizontal:MODE:MANual:CONFIgure, 2-657  
 HORizontal:MODE:RECOrdlength, 2-657  
 HORizontal:MODE:SAMPLERate, 2-658  
 HORizontal:MODE:SCAle, 2-658  
 HORizontal:POSition, 2-659  
 HORizontal:PREViewstate?, 2-659  
 HORizontal:RECOrdlength, 2-660  
 HORizontal:ROLL?, 2-660  
 HORizontal:SAMPLERate, 2-660  
 HORizontal:SAMPLERate:ANALYZemode:  
     MINimum:OVERRide, 2-661  
 HORizontal:SAMPLERate:ANALYZemode:  
     MINimum:VALue, 2-661  
 HORizontal:SCAle, 2-662  
 HSInterface:PORT, 2-662  
 HSInterface:STATe, 2-663  
 HSInterface:TIMEout, 2-663

## I

ID?, 2-664  
 \*IDN?, 2-664

## L

LICense?, 2-665  
 LICense:APPID?, 2-665  
 LICense:COUNT?, 2-665  
 LICense:ERRor?, 2-666  
 LICense:GMT?, 2-666  
 LICense:HID?, 2-667  
 LICense:INSTall, 2-667  
 LICense:ITEM?, 2-667

LICense:LIST?, 2-668  
 LICense:UNINSTALL?, 2-668  
 LICense:VALidate?, 2-669  
 LOCK, 2-670  
 \*LRN?, 2-670

## M

MAINWindow:BADGe:BRINgtoView, 2-671  
 MAINWindow:FONTSize, 2-672  
 MAINWindow:RRBDisplaystate, 2-672  
 MASK:DELEte, 2-672  
 MASK:MASK<x>:COUNT?, 2-673  
 MASK:MASK<x>:COUNT:HITS?, 2-673  
 MASK:MASK<x>:COUNT:SEG<x>:HITS?, 2-676  
 MASK:MASK<x>:DEFinedby, 2-674  
 MASK:MASK<x>:DISPlay, 2-675  
 MASK:MASK<x>:LIST?, 2-675  
 MASK:MASK<x>:SEG<x>:POINTS, 2-676  
 MASK:MASK<x>:SOUrce, 2-677  
 MASK:MASK<x>:TEST:CTHReshold, 2-677  
 MASK:MASK<x>:TEST:STATE, 2-678  
 MASK:MASK<x>:TEST:STATUS?, 2-679  
 MASK:MASK<x>:TEST:THReshold, 2-679  
 MASK:MASK<x>:TOLerance:HABSolute, 2-680  
 MASK:MASK<x>:TOLerance:HORizontal, 2-680  
 MASK:MASK<x>:TOLerance:UPDatenow, 2-681  
 MASK:MASK<x>:TOLerance:VABSolute, 2-682  
 MASK:MASK<x>:TOLerance:VERTical, 2-682  
 MASK:MASK<x>:TTYPe, 2-683  
 MASK:TEST:WAVEforms, 2-684  
 MATH:ADDNew, 2-684  
 MATH:DELEte, 2-685  
 MATH:LIST?, 2-685  
 MATH:MATH<x>:ARINC429A:  
     SUPPortedfields, 2-686  
 MATH:MATH<x>:AUDIO:SUPPortedfields, 2-686  
 MATH:MATH<x>:AUTOETHERnet:  
     SUPPortedfields, 2-687  
 MATH:MATH<x>:AVG:MODE, 2-687  
 MATH:MATH<x>:AVG:WEIGHT, 2-688  
 MATH:MATH<x>:CAN:SUPPortedfields, 2-688  
 MATH:MATH<x>:CXPI:SUPPortedfields, 2-689  
 MATH:MATH<x>:DEFine, 2-689  
 MATH:MATH<x>:ESPI:SUPPortedfields, 2-690  
 MATH:MATH<x>:ETHERCAT:  
     SUPPortedfields, 2-690

- MATH:MATH<x>:ETHERnet:
  - SUPPortedfields, 2-691
- MATH:MATH<x>:EUSB:SUPPortedfields, 2-692
- MATH:MATH<x>:FILTer:CFReq, 2-692
- MATH:MATH<x>:FILTer:DELay, 2-693
- MATH:MATH<x>:FILTer:DESIgn, 2-693
- MATH:MATH<x>:FILTer:HCFReq, 2-694
- MATH:MATH<x>:FILTer:INFo?, 2-694
- MATH:MATH<x>:FILTer:LCFReq, 2-695
- MATH:MATH<x>:FILTer:LOAD, 2-695
- MATH:MATH<x>:FILTer:LOAD:RESPOuse, 2-696
- MATH:MATH<x>:FILTer:ORDer, 2-696
- MATH:MATH<x>:FILTer:PRIPple, 2-697
- MATH:MATH<x>:FILTer:RESPOuse, 2-697
- MATH:MATH<x>:FILTer:ROFactor, 2-698
- MATH:MATH<x>:FILTer:SATTenuation, 2-698
- MATH:MATH<x>:FILTer:SAVe, 2-699
- MATH:MATH<x>:FILTer:SAVe:RESPOuse, 2-699
- MATH:MATH<x>:FILTer:SDEViation, 2-700
- MATH:MATH<x>:FILTer:SDURation, 2-700
- MATH:MATH<x>:FILTer:SOURce, 2-701
- MATH:MATH<x>:FILTer:SYMBols, 2-702
- MATH:MATH<x>:FILTer:TWIDth, 2-702
- MATH:MATH<x>:FILTer:TYPe, 2-703
- MATH:MATH<x>:FLEXray:SUPPortedfields, 2-703
- MATH:MATH<x>:FUNCTion, 2-704
- MATH:MATH<x>:GATing, 2-706
- MATH:MATH<x>:I2C:SUPPortedfields, 2-704
- MATH:MATH<x>:I3C:SUPPortedfields, 2-705
- MATH:MATH<x>:INTERpolation, 2-705
- MATH:MATH<x>:LABel:COLor, 2-706
- MATH:MATH<x>:LABel:FONT:BOLD, 2-707
- MATH:MATH<x>:LABel:FONT:ITALic, 2-707
- MATH:MATH<x>:LABel:FONT:SIZE, 2-708
- MATH:MATH<x>:LABel:FONT:TYPe, 2-708
- MATH:MATH<x>:LABel:FONT:UNDERline, 2-709
- MATH:MATH<x>:LABel:NAME, 2-709
- MATH:MATH<x>:LABel:XPOS, 2-710
- MATH:MATH<x>:LABel:YPOS, 2-710
- MATH:MATH<x>:LIN:SUPPortedfields, 2-711
- MATH:MATH<x>:MDIO:SUPPortedfields, 2-711
- MATH:MATH<x>:MIL1553B:
  - SUPPortedfields, 2-712
- MATH:MATH<x>:ONEWIRE:
  - SUPPortedfields, 2-712
- MATH:MATH<x>:PARAllel:SUPPortedfields, 2-713
- MATH:MATH<x>:PSIFIVe:SUPPortedfields, 2-713
- MATH:MATH<x>:RS232C:SUPPortedfields, 2-714
- MATH:MATH<x>:SDLC:SUPPortedfields, 2-714
- MATH:MATH<x>:SENT:SUPPortedfields, 2-715
- MATH:MATH<x>:SIGNeddata, 2-715
- MATH:MATH<x>:SMBUS:SUPPortedfields, 2-716
- MATH:MATH<x>:SOURce<x>, 2-716
- MATH:MATH<x>:SPACEWIRE:
  - SUPPortedfields, 2-717
- MATH:MATH<x>:SPECTral:HORIZ, 2-717
- MATH:MATH<x>:SPECTral:MAG, 2-718
- MATH:MATH<x>:SPECTral:PHASE, 2-718
- MATH:MATH<x>:SPECTral:SOURce, 2-719
- MATH:MATH<x>:SPECTral:SUPPess, 2-720
- MATH:MATH<x>:SPECTral:SUPPess:
  - VALue, 2-720
- MATH:MATH<x>:SPECTral:TYPe, 2-721
- MATH:MATH<x>:SPECTral:UNWRap, 2-721
- MATH:MATH<x>:SPECTral:UNWRap:
  - DEGrees, 2-722
- MATH:MATH<x>:SPECTral:WINDow, 2-722
- MATH:MATH<x>:SPI:SUPPortedfields, 2-723
- MATH:MATH<x>:SPMI:SUPPortedfields, 2-724
- MATH:MATH<x>:SVID:SUPPortedfields, 2-725
- MATH:MATH<x>:TYPe, 2-725
- MATH:MATH<x>:USB:SUPPortedfields, 2-726
- MATH:MATH<x>:VUNIT, 2-726
- MATHArbflt<x>:FILEpath, 2-727
- MEASTABLE:ADDNew, 2-727
- MEASTABLE:DELETE, 2-728
- MEASUREMENT?, 2-728
- MEASUREMENT:ADDMEAS , 2-729
- MEASUREMENT:ADDNew, 2-740
- MEASUREMENT:ANNOTate, 2-740
- MEASUREMENT:AUTOset, 2-740
- MEASUREMENT:CH<x>:REFLevels:ABSolute:
  - FALLHigh, 2-741
- MEASUREMENT:CH<x>:REFLevels:ABSolute:
  - FALLLow, 2-742
- MEASUREMENT:CH<x>:REFLevels:ABSolute:
  - FALLMid, 2-742
- MEASUREMENT:CH<x>:REFLevels:ABSolute:
  - HYSTeresis, 2-743
- MEASUREMENT:CH<x>:REFLevels:ABSolute:
  - RISEHigh, 2-743
- MEASUREMENT:CH<x>:REFLevels:ABSolute:
  - RISELow, 2-744



- MEASUREMENT:CH<x>:REFLEVELS:ABSOLUTE:RISEMID, 2-744
- MEASUREMENT:CH<x>:REFLEVELS:ABSOLUTE:TYPE, 2-745
- MEASUREMENT:CH<x>:REFLEVELS:BASETOP, 2-745
- MEASUREMENT:CH<x>:REFLEVELS:METHOD, 2-746
- MEASUREMENT:CH<x>:REFLEVELS:PERCENT:FALLHIGH, 2-746
- MEASUREMENT:CH<x>:REFLEVELS:PERCENT:FALLLOW, 2-747
- MEASUREMENT:CH<x>:REFLEVELS:PERCENT:FALLMID, 2-747
- MEASUREMENT:CH<x>:REFLEVELS:PERCENT:HYSTeresis, 2-748
- MEASUREMENT:CH<x>:REFLEVELS:PERCENT:RISEHIGH, 2-748
- MEASUREMENT:CH<x>:REFLEVELS:PERCENT:RISELOW, 2-749
- MEASUREMENT:CH<x>:REFLEVELS:PERCENT:RISEMID, 2-750
- MEASUREMENT:CH<x>:REFLEVELS:PERCENT:TYPE, 2-750
- MEASUREMENT:CLOCKRECOVERY:ADVANCED:METHOD, 2-751
- MEASUREMENT:CLOCKRECOVERY:CLOCKFREQUENCY, 2-751
- MEASUREMENT:CLOCKRECOVERY:CLOCKMULTIPLIER, 2-752
- MEASUREMENT:CLOCKRECOVERY:CONSTCLOCKMODE, 2-752
- MEASUREMENT:CLOCKRECOVERY:DAMPING, 2-753
- MEASUREMENT:CLOCKRECOVERY:DATAPATH, 2-753
- MEASUREMENT:CLOCKRECOVERY:DATARATE, 2-754
- MEASUREMENT:CLOCKRECOVERY:EXPLICITCLOCKMODE, 2-754
- MEASUREMENT:CLOCKRECOVERY:JTFBANDWIDTH, 2-755
- MEASUREMENT:CLOCKRECOVERY:LOOPBANDWIDTH, 2-755
- MEASUREMENT:CLOCKRECOVERY:MEANAUTOCALCULATE, 2-756
- MEASUREMENT:CLOCKRECOVERY:METHOD, 2-756
- MEASUREMENT:CLOCKRECOVERY:MODEL, 2-757
- MEASUREMENT:CLOCKRECOVERY:NOMINALOFFSET, 2-757
- MEASUREMENT:CLOCKRECOVERY:NOMINALOFFSET:SELECTIONTYPE, 2-758
- MEASUREMENT:CLOCKRECOVERY:STANDARD, 2-758
- MEASUREMENT:CLOCKRECOVERY:TDCOMPENSATION, 2-760
- MEASUREMENT:DELETE, 2-761
- MEASUREMENT:DELETEALL, 2-761
- MEASUREMENT:DIRACMODEL, 2-762
- MEASUREMENT:DISPLAYUNITS, 2-762
- MEASUREMENT:EDGE<x>, 2-763
- MEASUREMENT:EYERENDER, 2-763
- MEASUREMENT:FILTERS:BLANKINGTIME, 2-764
- MEASUREMENT:FILTERS:HIGHPASS:FREQ, 2-764
- MEASUREMENT:FILTERS:HIGHPASS:SPEC, 2-764
- MEASUREMENT:FILTERS:LOWPASS:FREQ, 2-765
- MEASUREMENT:FILTERS:LOWPASS:SPEC, 2-765
- MEASUREMENT:FILTERS:RAMPTIME, 2-766
- MEASUREMENT:GATING, 2-766
- MEASUREMENT:GATING:ACTIVE, 2-767
- MEASUREMENT:GATING:ENDTIME, 2-768
- MEASUREMENT:GATING:HYSTeresis, 2-768
- MEASUREMENT:GATING:LOGICSOURCE, 2-769
- MEASUREMENT:GATING:MIDREF, 2-769
- MEASUREMENT:GATING:SEARCHSOURCE, 2-770
- MEASUREMENT:GATING:STARTTIME, 2-770
- MEASUREMENT:HIGHLEVEL:CONFIGURATION, 2-771
- MEASUREMENT:HIGHLEVEL:EDGEQUALIFIER, 2-771
- MEASUREMENT:HIGHLEVEL:INLOWPASS:FREQ, 2-772
- MEASUREMENT:HIGHLEVEL:INLOWPASS:SPEC, 2-772
- MEASUREMENT:HIGHLEVEL:L2LTOL2N, 2-773
- MEASUREMENT:HIGHLEVEL:LINESELECTED, 2-773
- MEASUREMENT:HIGHLEVEL:OUTEDGEQUALIFIER, 2-774
- MEASUREMENT:HIGHLEVEL:OUTL2LTOL2N, 2-775
- MEASUREMENT:HIGHLEVEL:OUTLINESELECTED, 2-776
- MEASUREMENT:HIGHLEVEL:OUTLOWPASS:FREQ, 2-774
- MEASUREMENT:HIGHLEVEL:OUTLOWPASS:SPEC, 2-775
- MEASUREMENT:HIGHLEVEL:OUTSOURCE, 2-776
- MEASUREMENT:HIGHLEVEL:OUTWIRING, 2-777
- MEASUREMENT:HIGHLEVEL:SOURCE, 2-777
- MEASUREMENT:HIGHLEVEL:WIRING, 2-778
- MEASUREMENT:INTERP, 2-779
- MEASUREMENT:JITTERMDEL, 2-779
- MEASUREMENT:LIST?, 2-780

- MEASUREMENT:LOCKRJ, 2-780  
MEASUREMENT:LOCKRJValue, 2-781  
MEASUREMENT:MATH<x>:REFLevels:ABSolute:  
FALLHigh, 2-781  
MEASUREMENT:MATH<x>:REFLevels:ABSolute:  
FALLLow, 2-782  
MEASUREMENT:MATH<x>:REFLevels:ABSolute:  
FALLMid, 2-782  
MEASUREMENT:MATH<x>:REFLevels:ABSolute:  
HYSTeresis, 2-783  
MEASUREMENT:MATH<x>:REFLevels:ABSolute:  
RISEHigh, 2-783  
MEASUREMENT:MATH<x>:REFLevels:ABSolute:  
RISELow, 2-784  
MEASUREMENT:MATH<x>:REFLevels:ABSolute:  
RISEMid, 2-784  
MEASUREMENT:MATH<x>:REFLevels:ABSolute:  
TYPE, 2-785  
MEASUREMENT:MATH<x>:REFLevels:  
BASETop, 2-785  
MEASUREMENT:MATH<x>:REFLevels:  
METHod, 2-786  
MEASUREMENT:MATH<x>:REFLevels:PERCent:  
FALLHigh, 2-787  
MEASUREMENT:MATH<x>:REFLevels:PERCent:  
FALLLow, 2-787  
MEASUREMENT:MATH<x>:REFLevels:PERCent:  
FALLMid, 2-788  
MEASUREMENT:MATH<x>:REFLevels:PERCent:  
HYSTeresis, 2-788  
MEASUREMENT:MATH<x>:REFLevels:PERCent:  
RISEHigh, 2-789  
MEASUREMENT:MATH<x>:REFLevels:PERCent:  
RISELow, 2-790  
MEASUREMENT:MATH<x>:REFLevels:PERCent:  
RISEMid, 2-790  
MEASUREMENT:MATH<x>:REFLevels:PERCent:  
TYPE, 2-791  
MEASUREMENT:MEAS<x>:ABANdwidth, 2-793  
MEASUREMENT:MEAS<x>:ACHANnels, 2-793  
MEASUREMENT:MEAS<x>:AMETHod, 2-794  
MEASUREMENT:MEAS<x>:BER, 2-794  
MEASUREMENT:MEAS<x>:BER:  
TARGETBER, 2-795  
MEASUREMENT:MEAS<x>:BIN, 2-795  
MEASUREMENT:MEAS<x>:BITAbsolute, 2-796  
MEASUREMENT:MEAS<x>:BITCfmode, 2-796  
MEASUREMENT:MEAS<x>:BITEnd, 2-797  
MEASUREMENT:MEAS<x>:BITPent, 2-797  
MEASUREMENT:MEAS<x>:BITStart, 2-798  
MEASUREMENT:MEAS<x>:BITType, 2-798  
MEASUREMENT:MEAS<x>:BURSTEDGTYPe, 2-799  
MEASUREMENT:MEAS<x>:BVOLTage, 2-799  
MEASUREMENT:MEAS<x>:CCRESUlts:ALLAcqs:  
MAXimum?, 2-800  
MEASUREMENT:MEAS<x>:CCRESUlts:ALLAcqs:  
MEAN?, 2-800  
MEASUREMENT:MEAS<x>:CCRESUlts:ALLAcqs:  
MINimum?, 2-801  
MEASUREMENT:MEAS<x>:CCRESUlts:ALLAcqs:  
PK2PK?, 2-801  
MEASUREMENT:MEAS<x>:CCRESUlts:ALLAcqs:  
POPULATION?, 2-802  
MEASUREMENT:MEAS<x>:CCRESUlts:ALLAcqs:  
STDDev?, 2-802  
MEASUREMENT:MEAS<x>:CCRESUlts:  
CURRentacq:MAXimum?, 2-802  
MEASUREMENT:MEAS<x>:CCRESUlts:  
CURRentacq:MEAN?, 2-803  
MEASUREMENT:MEAS<x>:CCRESUlts:  
CURRentacq:MINimum?, 2-803  
MEASUREMENT:MEAS<x>:CCRESUlts:  
CURRentacq:PK2PK?, 2-804  
MEASUREMENT:MEAS<x>:CCRESUlts:  
CURRentacq:POPULATION?, 2-804  
MEASUREMENT:MEAS<x>:CCRESUlts:  
CURRentacq:STDDev?, 2-804  
MEASUREMENT:MEAS<x>:CF<x>Val, 2-805  
MEASUREMENT:MEAS<x>:CLOCKRecovery:  
ADVanced:METHod, 2-805  
MEASUREMENT:MEAS<x>:CLOCKRecovery:  
CLOCKFrequency, 2-806  
MEASUREMENT:MEAS<x>:CLOCKRecovery:  
CLOCKMultiplier, 2-806  
MEASUREMENT:MEAS<x>:CLOCKRecovery:  
CONSTCLOCKMODE, 2-807  
MEASUREMENT:MEAS<x>:CLOCKRecovery:  
DAMPing, 2-808  
MEASUREMENT:MEAS<x>:CLOCKRecovery:  
DATAPath, 2-808  
MEASUREMENT:MEAS<x>:CLOCKRecovery:  
DATARate, 2-809  
MEASUREMENT:MEAS<x>:CLOCKRecovery:  
EXPLICITCLOCKMODE, 2-809

- MEASUrement:MEAS<x>:CLOCKRecovery:  
GLOBal, 2-810
- MEASUrement:MEAS<x>:CLOCKRecovery:  
JTFBandwidth, 2-810
- MEASUrement:MEAS<x>:CLOCKRecovery:  
LOOPBandwidth, 2-811
- MEASUrement:MEAS<x>:CLOCKRecovery:  
MEANAUTOCalculate, 2-811
- MEASUrement:MEAS<x>:CLOCKRecovery:  
METHod, 2-812
- MEASUrement:MEAS<x>:CLOCKRecovery:  
MODel, 2-813
- MEASUrement:MEAS<x>:CLOCKRecovery:  
NOMINALOFFset, 2-813
- MEASUrement:MEAS<x>:CLOCKRecovery:  
NOMINALOFFset:SELECTIONtype, 2-814
- MEASUrement:MEAS<x>:CLOCKRecovery:  
STAndard, 2-814
- MEASUrement:MEAS<x>:CLOCKRecovery:  
TDCOMPensation, 2-816
- MEASUrement:MEAS<x>:COMMONMode:  
FILTerS:STATE, 2-817
- MEASUrement:MEAS<x>:COMMONMode:  
SOURCEs, 2-817
- MEASUrement:MEAS<x>:COVer, 2-818
- MEASUrement:MEAS<x>:CPWIDTh, 2-818
- MEASUrement:MEAS<x>:CSPACing, 2-819
- MEASUrement:MEAS<x>:  
CUSTOMLIMITSFile, 2-819
- MEASUrement:MEAS<x>:CYCLemode, 2-820
- MEASUrement:MEAS<x>:DBDown, 2-820
- MEASUrement:MEAS<x>:DELay:EDGE<x>, 2-821
- MEASUrement:MEAS<x>:DISPlaystat:  
ENABle, 2-822
- MEASUrement:MEAS<x>:EDGE<x>, 2-827
- MEASUrement:MEAS<x>:EDGEInce, 2-822
- MEASUrement:MEAS<x>:EDGEQUALifier, 2-823
- MEASUrement:MEAS<x>:EDGES:  
FROMLevel, 2-823
- MEASUrement:MEAS<x>:EDGES:LEVel, 2-824
- MEASUrement:MEAS<x>:EDGES:  
LOWERFREQuency, 2-825
- MEASUrement:MEAS<x>:EDGES:N, 2-825
- MEASUrement:MEAS<x>:EDGES:  
SLEWRATEMethod, 2-826
- MEASUrement:MEAS<x>:EDGES:TOLevel, 2-826
- MEASUrement:MEAS<x>:EDGES:  
UPPERFREQuency, 2-827
- MEASUrement:MEAS<x>:EEQUal, 2-828
- MEASUrement:MEAS<x>:EINDuctance, 2-828
- MEASUrement:MEAS<x>:EINTerpolation, 2-829
- MEASUrement:MEAS<x>:EXTENDuis, 2-829
- MEASUrement:MEAS<x>:EYERender, 2-830
- MEASUrement:MEAS<x>:FAILCount?, 2-830
- MEASUrement:MEAS<x>:FCOunt, 2-831
- MEASUrement:MEAS<x>:  
FILTERRANGEFROM, 2-831
- MEASUrement:MEAS<x>:  
FILTERRANGETO, 2-832
- MEASUrement:MEAS<x>:FILTerS:  
BLANKingtime, 2-832
- MEASUrement:MEAS<x>:FILTerS:GLOBal, 2-833
- MEASUrement:MEAS<x>:FILTerS:HIGHPass:  
FREQ, 2-834
- MEASUrement:MEAS<x>:FILTerS:HIGHPass:  
SPEC, 2-834
- MEASUrement:MEAS<x>:FILTerS:LOWPass:  
FREQ, 2-835
- MEASUrement:MEAS<x>:FILTerS:LOWPass:  
SPEC, 2-835
- MEASUrement:MEAS<x>:FILTerS:  
RAMPTime, 2-836
- MEASUrement:MEAS<x>:FORDer, 2-836
- MEASUrement:MEAS<x>:FPARAMeter, 2-837
- MEASUrement:MEAS<x>:FREQ, 2-837
- MEASUrement:MEAS<x>:FROMedge, 2-838
- MEASUrement:MEAS<x>:  
FROMEDGESEARCHDIRect, 2-838
- MEASUrement:MEAS<x>:FROMSymbol:  
LOGIC2SOURCE, 2-839
- MEASUrement:MEAS<x>:FROMSymbol:  
LOGIC3SOURCE, 2-840
- MEASUrement:MEAS<x>:FROMSymbol:  
LOGIC4SOURCE, 2-840
- MEASUrement:MEAS<x>:FROMSymbol:  
LOGIC5SOURCE, 2-841
- MEASUrement:MEAS<x>:FROMSymbol:  
MEASUREAT, 2-842
- MEASUrement:MEAS<x>:FTYPE, 2-843
- MEASUrement:MEAS<x>:FUNDCURRent, 2-843
- MEASUrement:MEAS<x>:GATing, 2-844
- MEASUrement:MEAS<x>:GATing:ACTive, 2-845
- MEASUrement:MEAS<x>:GATing:ENDtime, 2-845

- MEASUREMENT:MEAS<x>:GATING:GLOBAL, 2-846  
 MEASUREMENT:MEAS<x>:GATING:  
   HYSTERESIS, 2-846  
 MEASUREMENT:MEAS<x>:GATING:  
   LOGICSOURCE, 2-847  
 MEASUREMENT:MEAS<x>:GATING:MIDREF, 2-848  
 MEASUREMENT:MEAS<x>:GATING:  
   SEARCHSOURCE, 2-848  
 MEASUREMENT:MEAS<x>:GATING:  
   STARTTIME, 2-849  
 MEASUREMENT:MEAS<x>:GLOBALREF, 2-849  
 MEASUREMENT:MEAS<x>:  
   HARMONICSCCLASS, 2-850  
 MEASUREMENT:MEAS<x>:  
   HARMONICSSOURCE, 2-850  
 MEASUREMENT:MEAS<x>:HARMONICSSSTD, 2-851  
 MEASUREMENT:MEAS<x>:  
   HARMONICSUNITS, 2-851  
 MEASUREMENT:MEAS<x>:HIGHLEVEL:  
   CONFIGURATION, 2-852  
 MEASUREMENT:MEAS<x>:HIGHLEVEL:  
   L2LTOL2N, 2-853  
 MEASUREMENT:MEAS<x>:HIGHLEVEL:  
   LINESELECTED, 2-853  
 MEASUREMENT:MEAS<x>:HIGHLEVEL:  
   OUTL2LTOL2N, 2-854  
 MEASUREMENT:MEAS<x>:HIGHLEVEL:  
   OUTLINESELECTED, 2-854  
 MEASUREMENT:MEAS<x>:HIGHLEVEL:  
   OUTWIRING, 2-855  
 MEASUREMENT:MEAS<x>:HIGHLEVEL:  
   USEGLOBAL, 2-855  
 MEASUREMENT:MEAS<x>:HIGHLEVEL:  
   WIRING, 2-856  
 MEASUREMENT:MEAS<x>:HIGHREFVOLTAGE, 2-856  
 MEASUREMENT:MEAS<x>:HLEVEL:OUTPUT:  
   UGLOBAL, 2-857  
 MEASUREMENT:MEAS<x>:HTORQUE, 2-858  
 MEASUREMENT:MEAS<x>:HVOLTAGE, 2-858  
 MEASUREMENT:MEAS<x>:IDLETIME, 2-859  
 MEASUREMENT:MEAS<x>:INPUTLEVEL, 2-859  
 MEASUREMENT:MEAS<x>:INPUTPOWER, 2-860  
 MEASUREMENT:MEAS<x>:JITTERSUMMARY:  
   DCD, 2-860  
 MEASUREMENT:MEAS<x>:JITTERSUMMARY:  
   DDJ, 2-861  
 MEASUREMENT:MEAS<x>:JITTERSUMMARY:  
   DJDD, 2-861  
 MEASUREMENT:MEAS<x>:JITTERSUMMARY:  
   EYEWIDTHBER, 2-862  
 MEASUREMENT:MEAS<x>:JITTERSUMMARY:  
   NPJ, 2-862  
 MEASUREMENT:MEAS<x>:JITTERSUMMARY:  
   PJ, 2-863  
 MEASUREMENT:MEAS<x>:JITTERSUMMARY:  
   RJDD, 2-863  
 MEASUREMENT:MEAS<x>:JITTERSUMMARY:  
   TIE, 2-864  
 MEASUREMENT:MEAS<x>:JITTERSUMMARY:  
   TJBER, 2-864  
 MEASUREMENT:MEAS<x>:LABEL, 2-865  
 MEASUREMENT:MEAS<x>:LINESELECTED, 2-865  
 MEASUREMENT:MEAS<x>:LOWREFVOLTAGE, 2-866  
 MEASUREMENT:MEAS<x>:LTORQUE, 2-867  
 MEASUREMENT:MEAS<x>:LTYPE, 2-867  
 MEASUREMENT:MEAS<x>:LUNITS, 2-868  
 MEASUREMENT:MEAS<x>:LVOLTAGE, 2-868  
 MEASUREMENT:MEAS<x>:MAXCURRENT, 2-869  
 MEASUREMENT:MEAS<x>:MAXCYCLE, 2-869  
 MEASUREMENT:MEAS<x>:MAXG<x>VOLTAGE, 2-870  
 MEASUREMENT:MEAS<x>:MAXGVOLTAGE, 2-871  
 MEASUREMENT:MEAS<x>:MAXVOLTAGE, 2-871  
 MEASUREMENT:MEAS<x>:MEASRANGE:  
   GLOBAL, 2-872  
 MEASUREMENT:MEAS<x>:MEASRANGE:  
   MAX, 2-872  
 MEASUREMENT:MEAS<x>:MEASRANGE:MIN, 2-873  
 MEASUREMENT:MEAS<x>:MEASRANGE:  
   STATE, 2-873  
 MEASUREMENT:MEAS<x>:MECH:EINDEXZ, 2-874  
 MEASUREMENT:MEAS<x>:MECH:GRATIO, 2-874  
 MEASUREMENT:MEAS<x>:MECH:MUNITS, 2-875  
 MEASUREMENT:MEAS<x>:MECH:PPAIRS, 2-876  
 MEASUREMENT:MEAS<x>:MECH:PPROTATION, 2-876  
 MEASUREMENT:MEAS<x>:MECH:STYPE, 2-877  
 MEASUREMENT:MEAS<x>:MINCYCLE, 2-877  
 MEASUREMENT:MEAS<x>:OBWMETHOD, 2-878  
 MEASUREMENT:MEAS<x>:ODDEVEN, 2-879  
 MEASUREMENT:MEAS<x>:OFILTERS:LOWPASS:  
   FREQ, 2-879  
 MEASUREMENT:MEAS<x>:OFILTERS:LOWPASS:  
   SPEC, 2-880  
 MEASUREMENT:MEAS<x>:OSANGLE, 2-880

- MEASUrement:MEAS<x>:  
OUTEDGEQUALifier, 2-881
- MEASUrement:MEAS<x>:OUTFILTERs:LOWPass:  
FREQ, 2-881
- MEASUrement:MEAS<x>:OUTFILTERs:LOWPass:  
SPEC, 2-882
- MEASUrement:MEAS<x>:  
OUTPUT<x>VOLTage, 2-883
- MEASUrement:MEAS<x>:  
PASSFAILEnabled, 2-883
- MEASUrement:MEAS<x>:  
PASSFAILHIGHlimit, 2-884
- MEASUrement:MEAS<x>:PASSFAILLIMIT, 2-885
- MEASUrement:MEAS<x>:  
PASSFAILLOWlimit, 2-885
- MEASUrement:MEAS<x>:  
PASSFAILMARGin, 2-886
- MEASUrement:MEAS<x>:PASSFAILWHEN, 2-887
- MEASUrement:MEAS<x>:  
PATTERNDETECTION, 2-888
- MEASUrement:MEAS<x>:PATTERNLENGth, 2-888
- MEASUrement:MEAS<x>:PATTERNTYPE, 2-889
- MEASUrement:MEAS<x>:PCOUNT, 2-889
- MEASUrement:MEAS<x>:PERFREQ:EDGE, 2-890
- MEASUrement:MEAS<x>:POLarity, 2-890
- MEASUrement:MEAS<x>:POPowEr, 2-891
- MEASUrement:MEAS<x>:POPulation:  
GLOBal, 2-891
- MEASUrement:MEAS<x>:POPulation:LIMIT:  
STATE, 2-892
- MEASUrement:MEAS<x>:POPulation:LIMIT:  
VALue, 2-893
- MEASUrement:MEAS<x>:POWERFACTor, 2-893
- MEASUrement:MEAS<x>:PREGion, 2-894
- MEASUrement:MEAS<x>:PRESistance, 2-894
- MEASUrement:MEAS<x>:PWIDth, 2-895
- MEASUrement:MEAS<x>:REDGe, 2-895
- MEASUrement:MEAS<x>:REFLevels:ABSolute:  
FALLHigh, 2-896
- MEASUrement:MEAS<x>:REFLevels<x>:  
ABSolute:FALLLow, 2-896
- MEASUrement:MEAS<x>:REFLevels<x>:  
ABSolute:FALLMid, 2-897
- MEASUrement:MEAS<x>:REFLevels<x>:  
ABSolute:HYSteresis, 2-897
- MEASUrement:MEAS<x>:REFLevels<x>:  
ABSolute:RISEHigh, 2-898
- MEASUrement:MEAS<x>:REFLevels<x>:  
ABSolute:RISELow, 2-899
- MEASUrement:MEAS<x>:REFLevels<x>:  
ABSolute:RISEMid, 2-899
- MEASUrement:MEAS<x>:REFLevels<x>:  
ABSolute:TYPE, 2-900
- MEASUrement:MEAS<x>:REFLevels<x>:  
BASETop, 2-900
- MEASUrement:MEAS<x>:REFLevels<x>:  
METHod, 2-901
- MEASUrement:MEAS<x>:REFLevels<x>:PERCent:  
FALLHigh, 2-902
- MEASUrement:MEAS<x>:REFLevels<x>:PERCent:  
FALLLow, 2-902
- MEASUrement:MEAS<x>:REFLevels<x>:PERCent:  
FALLMid, 2-903
- MEASUrement:MEAS<x>:REFLevels<x>:PERCent:  
HYSteresis, 2-903
- MEASUrement:MEAS<x>:REFLevels<x>:PERCent:  
RISEHigh, 2-904
- MEASUrement:MEAS<x>:REFLevels<x>:PERCent:  
RISELow, 2-904
- MEASUrement:MEAS<x>:REFLevels<x>:PERCent:  
RISEMid, 2-905
- MEASUrement:MEAS<x>:REFLevels<x>:PERCent:  
TYPE, 2-905
- MEASUrement:MEAS<x>:REFMode, 2-906
- MEASUrement:MEAS<x>:REFVoltage, 2-907
- MEASUrement:MEAS<x>:  
REFVOLTAGE<x>Val, 2-907
- MEASUrement:MEAS<x>:RESUlts:ALLAcqs:  
MAXimum?, 2-908
- MEASUrement:MEAS<x>:RESUlts:ALLAcqs:  
MEAN?, 2-908
- MEASUrement:MEAS<x>:RESUlts:ALLAcqs:  
MINimum?, 2-909
- MEASUrement:MEAS<x>:RESUlts:ALLAcqs:  
PK2PK?, 2-909
- MEASUrement:MEAS<x>:RESUlts:ALLAcqs:  
POPulation?, 2-909
- MEASUrement:MEAS<x>:RESUlts:ALLAcqs:  
STDDev?, 2-910
- MEASUrement:MEAS<x>:RESUlts:CURREntacq:  
MAXimum?, 2-910
- MEASUrement:MEAS<x>:RESUlts:CURREntacq:  
MEAN?, 2-911

- MEASUREMENT:MEAS<x>:RESULTS:CURRENTACQ:  
MINIMUM?, 2-911
- MEASUREMENT:MEAS<x>:RESULTS:CURRENTACQ:  
PK2PK?, 2-912
- MEASUREMENT:MEAS<x>:RESULTS:CURRENTACQ:  
POPULATION?, 2-912
- MEASUREMENT:MEAS<x>:RESULTS:CURRENTACQ:  
STDDDEV?, 2-913
- MEASUREMENT:MEAS<x>:RESULTS:HISTORY:  
MAXIMUM?, 2-913
- MEASUREMENT:MEAS<x>:RESULTS:HISTORY:  
MEAN?, 2-913
- MEASUREMENT:MEAS<x>:RESULTS:HISTORY:  
MINIMUM?, 2-914
- MEASUREMENT:MEAS<x>:RESULTS:HISTORY:  
PK2PK?, 2-914
- MEASUREMENT:MEAS<x>:RESULTS:HISTORY:  
POPULATION?, 2-915
- MEASUREMENT:MEAS<x>:RESULTS:HISTORY:  
STDDDEV?, 2-915
- MEASUREMENT:MEAS<x>:  
RIPPLEFREQ<x>Val, 2-916
- MEASUREMENT:MEAS<x>:SEQUENCE, 2-916
- MEASUREMENT:MEAS<x>:  
SIGNALFREQUENCY, 2-917
- MEASUREMENT:MEAS<x>:SIGNALTYPE, 2-918
- MEASUREMENT:MEAS<x>:SLABS, 2-918
- MEASUREMENT:MEAS<x>:SLPCT, 2-919
- MEASUREMENT:MEAS<x>:SLTYPE, 2-919
- MEASUREMENT:MEAS<x>:  
SMOOTHINGFILTER, 2-920
- MEASUREMENT:MEAS<x>:SOURCE, 2-920
- MEASUREMENT:MEAS<x>:SOURCE<x>, 2-921
- MEASUREMENT:MEAS<x>:SPAN<x>Val, 2-921
- MEASUREMENT:MEAS<x>:SRATE, 2-922
- MEASUREMENT:MEAS<x>:SRHO, 2-922
- MEASUREMENT:MEAS<x>:SSC:NOMINALFREQ, 2-923
- MEASUREMENT:MEAS<x>:SSC:NOMINALFREQ:  
SELECTIONTYPE, 2-923
- MEASUREMENT:MEAS<x>:SSDIRECTION, 2-924
- MEASUREMENT:MEAS<x>:STATUS?, 2-925
- MEASUREMENT:MEAS<x>:STLABS, 2-925
- MEASUREMENT:MEAS<x>:STLPCT, 2-926
- MEASUREMENT:MEAS<x>:STLTYPE, 2-926
- MEASUREMENT:MEAS<x>:STSDIRECTION, 2-927
- MEASUREMENT:MEAS<x>:STYPE, 2-927
- MEASUREMENT:MEAS<x>:SUBGROUP:RESULTS:  
ALLACQS:MAXIMUM?, 2-928
- MEASUREMENT:MEAS<x>:SUBGROUP:RESULTS:  
ALLACQS:MEAN?, 2-929
- MEASUREMENT:MEAS<x>:SUBGROUP:RESULTS:  
ALLACQS:MINIMUM?, 2-930
- MEASUREMENT:MEAS<x>:SUBGROUP:RESULTS:  
ALLACQS:PK2PK?, 2-930
- MEASUREMENT:MEAS<x>:SUBGROUP:RESULTS:  
ALLACQS:POPULATION?, 2-931
- MEASUREMENT:MEAS<x>:SUBGROUP:RESULTS:  
ALLACQS:STDDDEV?, 2-932
- MEASUREMENT:MEAS<x>:SUBGROUP:RESULTS:  
CURRENTACQ:MAXIMUM?, 2-933
- MEASUREMENT:MEAS<x>:SUBGROUP:RESULTS:  
CURRENTACQ:MEAN?, 2-933
- MEASUREMENT:MEAS<x>:SUBGROUP:RESULTS:  
CURRENTACQ:MINIMUM?, 2-935
- MEASUREMENT:MEAS<x>:SUBGROUP:RESULTS:  
CURRENTACQ:PK2PK?, 2-936
- MEASUREMENT:MEAS<x>:SUBGROUP:RESULTS:  
CURRENTACQ:POPULATION?, 2-937
- MEASUREMENT:MEAS<x>:SUBGROUP:RESULTS:  
CURRENTACQ:STDDDEV?, 2-937
- MEASUREMENT:MEAS<x>:SUNITS, 2-938
- MEASUREMENT:MEAS<x>:TCKAVG, 2-939
- MEASUREMENT:MEAS<x>:TCONSTANT, 2-939
- MEASUREMENT:MEAS<x>:TDRPRESET, 2-940
- MEASUREMENT:MEAS<x>:TIMINGMODE, 2-941
- MEASUREMENT:MEAS<x>:TLEVEL, 2-941
- MEASUREMENT:MEAS<x>:TMETHOD, 2-940
- MEASUREMENT:MEAS<x>:TOEDGE, 2-942
- MEASUREMENT:MEAS<x>:  
TOEDGESEARCHDIRECT, 2-943
- MEASUREMENT:MEAS<x>:TOSYMBOL:  
LOGIC2SOURCE, 2-943
- MEASUREMENT:MEAS<x>:TOSYMBOL:  
LOGIC3SOURCE, 2-944
- MEASUREMENT:MEAS<x>:TOSYMBOL:  
LOGIC4SOURCE, 2-945
- MEASUREMENT:MEAS<x>:TOSYMBOL:  
LOGIC5SOURCE, 2-945
- MEASUREMENT:MEAS<x>:TOSYMBOL:  
MEASUREAT, 2-946
- MEASUREMENT:MEAS<x>:TRANSITION, 2-947
- MEASUREMENT:MEAS<x>:TYPE, 2-948
- MEASUREMENT:MEAS<x>:VLEVEL, 2-959

- MEASUrement:MEAS<x>:WAITTime, 2-959  
 MEASUrement:MEAS<x>:WBG:AFGaddress, 2-960  
 MEASUrement:MEAS<x>:WBG:AFGSetup, 2-960  
 MEASUrement:MEAS<x>:WBG:CStatus?, 2-961  
 MEASUrement:MEAS<x>:WBG:GTYPe, 2-961  
 MEASUrement:MEAS<x>:WBG:HIGh, 2-962  
 MEASUrement:MEAS<x>:WBG:LOAD, 2-963  
 MEASUrement:MEAS<x>:WBG:LOW, 2-963  
 MEASUrement:MEAS<x>:WBG:NPULs, 2-964  
 MEASUrement:MEAS<x>:WBG:PG<x>Val, 2-964  
 MEASUrement:MEAS<x>:WBG:PW<x>Val, 2-965  
 MEASUrement:MEAS<x>:WBG:TIMer, 2-965  
 MEASUrement:MEAS<x>:WIDTh, 2-966  
 MEASUrement:MEAS<x>:WINDOWLENgth, 2-966  
 MEASUrement:MEAS<x>:XUNIT?, 2-967  
 MEASUrement:MEAS<x>:YUNIT?, 2-967  
 MEASUrement:MEASRange:MAX, 2-791  
 MEASUrement:MEASRange:MIN, 2-792  
 MEASUrement:MEASRange:STATE, 2-792  
 MEASUrement:MECH:EINDexz, 2-968  
 MEASUrement:MECH:GRATio, 2-968  
 MEASUrement:MECH:MUNits, 2-969  
 MEASUrement:MECH:PPAirs, 2-969  
 MEASUrement:MECH:PPRotation, 2-970  
 MEASUrement:MECH:SOUrcex, 2-970  
 MEASUrement:MECH:STYPe, 2-971  
 MEASUrement:MINUI, 2-972  
 MEASUrement:POPulation:LIMIT:STATE, 2-972  
 MEASUrement:POPulation:LIMIT:VALue, 2-973  
 MEASUrement:REF<x>:REFLevels:ABSolute:  
     FALLHigh, 2-984  
 MEASUrement:REF<x>:REFLevels:ABSolute:  
     FALLLow, 2-984  
 MEASUrement:REF<x>:REFLevels:ABSolute:  
     FALLMid, 2-985  
 MEASUrement:REF<x>:REFLevels:ABSolute:  
     HYSTeresis, 2-985  
 MEASUrement:REF<x>:REFLevels:ABSolute:  
     RISEHigh, 2-986  
 MEASUrement:REF<x>:REFLevels:ABSolute:  
     RISELow, 2-986  
 MEASUrement:REF<x>:REFLevels:ABSolute:  
     RISEMid, 2-987  
 MEASUrement:REF<x>:REFLevels:ABSolute:  
     TYPE, 2-987  
 MEASUrement:REF<x>:REFLevels:  
     BASETop, 2-988  
 MEASUrement:REF<x>:REFLevels:METHod, 2-988  
 MEASUrement:REF<x>:REFLevels:PERCent:  
     FALLHigh, 2-989  
 MEASUrement:REF<x>:REFLevels:PERCent:  
     FALLLow, 2-990  
 MEASUrement:REF<x>:REFLevels:PERCent:  
     FALLMid, 2-990  
 MEASUrement:REF<x>:REFLevels:PERCent:  
     HYSTeresis, 2-991  
 MEASUrement:REF<x>:REFLevels:PERCent:  
     RISEHigh, 2-991  
 MEASUrement:REF<x>:REFLevels:PERCent:  
     RISELow, 2-992  
 MEASUrement:REF<x>:REFLevels:PERCent:  
     RISEMid, 2-992  
 MEASUrement:REF<x>:REFLevels:PERCent:  
     TYPE, 2-993  
 MEASUrement:REFLevels:ABSolute:  
     FALLHigh, 2-973  
 MEASUrement:REFLevels:ABSolute:  
     FALLLow, 2-974  
 MEASUrement:REFLevels:ABSolute:  
     FALLMid, 2-974  
 MEASUrement:REFLevels:ABSolute:  
     HYSTeresis, 2-975  
 MEASUrement:REFLevels:ABSolute:  
     RISEHigh, 2-975  
 MEASUrement:REFLevels:ABSolute:  
     RISELow, 2-976  
 MEASUrement:REFLevels:ABSolute:  
     RISEMid, 2-976  
 MEASUrement:REFLevels:ABSolute:TYPE, 2-976  
 MEASUrement:REFLevels:BASETop, 2-977  
 MEASUrement:REFLevels:JITTERMODE, 2-978  
 MEASUrement:REFLevels:METHod, 2-978  
 MEASUrement:REFLevels:MODE, 2-979  
 MEASUrement:REFLevels:PERCent:  
     FALLHigh, 2-979  
 MEASUrement:REFLevels:PERCent:  
     FALLLow, 2-980  
 MEASUrement:REFLevels:PERCent:  
     FALLMid, 2-980  
 MEASUrement:REFLevels:PERCent:  
     HYSTeresis, 2-981  
 MEASUrement:REFLevels:PERCent:  
     RISEHigh, 2-981

MEASUREMENT:REFLEVELS:PERCENT:  
RISELow, 2-982  
MEASUREMENT:REFLEVELS:PERCENT:  
RISEMid, 2-982  
MEASUREMENT:REFLEVELS:PERCENT:TYPE, 2-983  
MEASUREMENT:REFLEVELS:TYPE, 2-983  
MEASUREMENT:RESULTS:HISTORY:START, 2-993  
MEASUREMENT:RESULTS:HISTORY:STOP, 2-994  
MEASUREMENT:STATISTICS:CYCLEMODE, 2-995  
MEASUREMENT:WBG:PDEVICE, 2-995

## N

NEWpass, 2-996

## O

\*OPC, 2-996  
\*OPT?, 2-997

## P

PASSWord, 2-998  
PAUSE, 2-998  
PEAKSTABLE:ADDNew, 2-999  
PEAKSTABLE:DELete, 2-999  
PEAKSTABLE:LIST?, 2-999  
PEAKSTABLE:TABLE<x>:FRESolution, 2-1000  
PILOGger:FILENAME, 2-1000  
PILOGger:STATE, 2-1001  
PLOT:ADDNew, 2-1001  
PLOT:DELete, 2-1002  
PLOT:LIST?, 2-1002  
PLOT:PLOT<x>:BATHtub:BER, 2-1002  
PLOT:PLOT<x>:BATHtub:XAXISUnits, 2-1003  
PLOT:PLOT<x>:BITType, 2-1003  
PLOT:PLOT<x>:EINTerpolation, 2-1004  
PLOT:PLOT<x>:EXPORTRaw?, 2-1004  
PLOT:PLOT<x>:EXTENDuis, 2-1005  
PLOT:PLOT<x>:EYERender, 2-1005  
PLOT:PLOT<x>:IMDA:MEAS, 2-1007  
PLOT:PLOT<x>:IMDAPLOTDisplay, 2-1008  
PLOT:PLOT<x>:INTerpolate, 2-1006  
PLOT:PLOT<x>:LABEL:COLor, 2-1009  
PLOT:PLOT<x>:LABEL:FONT:BOLD, 2-1009  
PLOT:PLOT<x>:LABEL:FONT:ITALic, 2-1010  
PLOT:PLOT<x>:LABEL:FONT:SIZE, 2-1010  
PLOT:PLOT<x>:LABEL:FONT:TYPE, 2-1011  
PLOT:PLOT<x>:LABEL:FONT:UNDERline, 2-1011

PLOT:PLOT<x>:LABEL:NAME, 2-1012  
PLOT:PLOT<x>:LABEL:XPOS, 2-1012  
PLOT:PLOT<x>:LABEL:YPOS, 2-1012  
PLOT:PLOT<x>:MASK?, 2-1013  
PLOT:PLOT<x>:MASKOffset:HORizontal:  
AUTOfit, 2-1013  
PLOT:PLOT<x>:MASKOffset:PERCENTTui:  
FROM, 2-1015  
PLOT:PLOT<x>:MASKOffset:PERCENTTui:  
TO, 2-1015  
PLOT:PLOT<x>:NUMBins, 2-1014  
PLOT:PLOT<x>:PREGion, 2-1016  
PLOT:PLOT<x>:PSIJ, 2-1016  
PLOT:PLOT<x>:PTYPE, 2-1017  
PLOT:PLOT<x>:RAILNUM, 2-1017  
PLOT:PLOT<x>:SOURCE<x>, 2-1018  
PLOT:PLOT<x>:SPECTrum:BASE, 2-1018  
PLOT:PLOT<x>:SPECTrum:DYNRange, 2-1018  
PLOT:PLOT<x>:TRESPonse:RTYPE, 2-1019  
PLOT:PLOT<x>:TYPE, 2-1019  
POWER:ADDNew, 2-1021  
POWER:DELete, 2-1021  
POWER:POWER<x>:AUTOSet, 2-1022  
POWER:POWER<x>:CLRESPONSE:  
AMP<x>Val, 2-1022  
POWER:POWER<x>:CLRESPONSE:  
AMPMode, 2-1023  
POWER:POWER<x>:CLRESPONSE:  
ANALYSISMethod, 2-1023  
POWER:POWER<x>:CLRESPONSE:  
AUTORbw, 2-1024  
POWER:POWER<x>:CLRESPONSE:  
CONNECTSTATus?, 2-1024  
POWER:POWER<x>:CLRESPONSE:  
CONSTAmplitude, 2-1025  
POWER:POWER<x>:CLRESPONSE:  
FREQ<x>Val, 2-1026  
POWER:POWER<x>:CLRESPONSE:  
GENERator, 2-1026  
POWER:POWER<x>:CLRESPONSE:  
GENIPADdress, 2-1027  
POWER:POWER<x>:CLRESPONSE:  
IMPEDance, 2-1028  
POWER:POWER<x>:CLRESPONSE:  
INPUTSource, 2-1028  
POWER:POWER<x>:CLRESPONSE:MON, 2-1029



PWR:PWRC<x>:CLRESPONSE:  
     OUTPUTSOURCE, 2-1029  
 PWR:PWRC<x>:CLRESPONSE:PPD, 2-1030  
 PWR:PWRC<x>:CLRESPONSE:  
     STARTFREQUENCY, 2-1031  
 PWR:PWRC<x>:CLRESPONSE:  
     STOPFREQUENCY, 2-1031  
 PWR:PWRC<x>:CLRESPONSE:  
     TESTCONNECTION, 2-1032  
 PWR:PWRC<x>:CYCLEAMP:  
     INPUTSOURCE, 2-1032  
 PWR:PWRC<x>:CYCLEBASE:  
     INPUTSOURCE, 2-1033  
 PWR:PWRC<x>:CYCLEMAX:  
     INPUTSOURCE, 2-1034  
 PWR:PWRC<x>:CYCLEMIN:  
     INPUTSOURCE, 2-1034  
 PWR:PWRC<x>:CYCLEPKPK:  
     INPUTSOURCE, 2-1035  
 PWR:PWRC<x>:CYCLETOP:  
     INPUTSOURCE, 2-1035  
 PWR:PWRC<x>:DIDT:INPUTSOURCE, 2-1036  
 PWR:PWRC<x>:DIDT:  
     SOURCEEDGEType, 2-1037  
 PWR:PWRC<x>:DVDT:INPUTSOURCE, 2-1037  
 PWR:PWRC<x>:DVDT:  
     SOURCEEDGEType, 2-1038  
 PWR:PWRC<x>:EFFICIENCY:  
     INPUTType, 2-1038  
 PWR:PWRC<x>:EFFICIENCY:  
     IOUT1SOURCE, 2-1039  
 PWR:PWRC<x>:EFFICIENCY:  
     IOUT2SOURCE, 2-1039  
 PWR:PWRC<x>:EFFICIENCY:  
     IOUT3SOURCE, 2-1040  
 PWR:PWRC<x>:EFFICIENCY:ISOURCE, 2-1041  
 PWR:PWRC<x>:EFFICIENCY:  
     NUMOFOutputs, 2-1042  
 PWR:PWRC<x>:EFFICIENCY:  
     OUTPUT1Type, 2-1042  
 PWR:PWRC<x>:EFFICIENCY:  
     OUTPUT2Type, 2-1043  
 PWR:PWRC<x>:EFFICIENCY:  
     OUTPUT3Type, 2-1044  
 PWR:PWRC<x>:EFFICIENCY:  
     OUTPUTType, 2-1044  
 PWR:PWRC<x>:EFFICIENCY:  
     VOUT1SOURCE, 2-1045  
 PWR:PWRC<x>:EFFICIENCY:  
     VOUT2SOURCE, 2-1046  
 PWR:PWRC<x>:EFFICIENCY:  
     VOUT3SOURCE, 2-1046  
 PWR:PWRC<x>:EFFICIENCY:VSOURCE, 2-1047  
 PWR:PWRC<x>:FREQUENCY:EDGE, 2-1048  
 PWR:PWRC<x>:FREQUENCY:  
     INPUTSOURCE, 2-1048  
 PWR:PWRC<x>:GATING, 2-1049  
 PWR:PWRC<x>:GATING:GLOBAL, 2-1050  
 PWR:PWRC<x>:HARMONICS:CLASSES, 2-1050  
 PWR:PWRC<x>:HARMONICS:CLFILE, 2-1051  
 PWR:PWRC<x>:HARMONICS:  
     CMETHOD, 2-1052  
 PWR:PWRC<x>:HARMONICS:  
     FUNDCURRENT, 2-1052  
 PWR:PWRC<x>:HARMONICS:HORDER, 2-1053  
 PWR:PWRC<x>:HARMONICS:  
     HSOURCE, 2-1053  
 PWR:PWRC<x>:HARMONICS:IPWR, 2-1054  
 PWR:PWRC<x>:HARMONICS:ISOURCE, 2-1054  
 PWR:PWRC<x>:HARMONICS:  
     LINEFREQUENCY, 2-1055  
 PWR:PWRC<x>:HARMONICS:  
     ODDEVEN, 2-1056  
 PWR:PWRC<x>:HARMONICS:PFACtor, 2-1056  
 PWR:PWRC<x>:HARMONICS:  
     POWERRating, 2-1057  
 PWR:PWRC<x>:HARMONICS:  
     RCURRENT, 2-1057  
 PWR:PWRC<x>:HARMONICS:  
     STANDARD, 2-1058  
 PWR:PWRC<x>:HARMONICS:  
     STARTFREQUENCY, 2-1059  
 PWR:PWRC<x>:HARMONICS:UNITS, 2-1059  
 PWR:PWRC<x>:HARMONICS:  
     VSOURCE, 2-1060  
 PWR:PWRC<x>:IMPEDANCE:  
     AMP<x>Val, 2-1060  
 PWR:PWRC<x>:IMPEDANCE:  
     AMPMode, 2-1061  
 PWR:PWRC<x>:IMPEDANCE:  
     ANALYSISMethod, 2-1061  
 PWR:PWRC<x>:IMPEDANCE:  
     AUTORbw, 2-1062

- POWer:POWer<x>:IMPEDANCE:  
CONNECTSTATus?, 2-1063
- POWer:POWer<x>:IMPEDANCE:  
CONSTAMPlitude, 2-1063
- POWer:POWer<x>:IMPEDANCE:  
FREQ<x>Val, 2-1064
- POWer:POWer<x>:IMPEDANCE:GENerator, 2-1064
- POWer:POWer<x>:IMPEDANCE:  
GENIPADdRESS, 2-1065
- POWer:POWer<x>:IMPEDANCE:  
IMPEDANCE, 2-1066
- POWer:POWer<x>:IMPEDANCE:  
INPUTSOurce, 2-1066
- POWer:POWer<x>:IMPEDANCE:  
OUTPUTSOurce, 2-1067
- POWer:POWer<x>:IMPEDANCE:PPD, 2-1067
- POWer:POWer<x>:IMPEDANCE:  
STARTFREQuency, 2-1068
- POWer:POWer<x>:IMPEDANCE:  
STOPFREQuency, 2-1069
- POWer:POWer<x>:IMPEDANCE:  
TESTCONNectiOn, 2-1069
- POWer:POWer<x>:INDUCTANCE:  
EDGESource, 2-1070
- POWer:POWer<x>:INDUCTANCE:ISOURce, 2-1071
- POWer:POWer<x>:INDUCTANCE:  
VSOURce, 2-1071
- POWer:POWer<x>:INPUTCAP:ISOURce, 2-1072
- POWer:POWer<x>:INPUTCAP:  
PEAKCURRent, 2-1073
- POWer:POWer<x>:INPUTCAP:  
PEAKVOLTage, 2-1073
- POWer:POWer<x>:INPUTCAP:VSOURce, 2-1074
- POWer:POWer<x>:INRUSHcurrent:  
INPUTSOurce, 2-1075
- POWer:POWer<x>:INRUSHcurrent:  
PEAKCURRent, 2-1075
- POWer:POWer<x>:IVSINTEGRALV:  
ISOURce, 2-1076
- POWer:POWer<x>:IVSINTEGRALV:  
VSOURce, 2-1077
- POWer:POWer<x>:LABel, 2-1077
- POWer:POWer<x>:LINERIPPLE:  
INPUTSOurce, 2-1078
- POWer:POWer<x>:LINERIPPLE:  
LFREQuency, 2-1078
- POWer:POWer<x>:MAGNETICLOSS:  
ISOURce, 2-1079
- POWer:POWer<x>:MAGNETICLOSS:  
VSOURce, 2-1080
- POWer:POWer<x>:MAGPROPERTY:  
AREAOfcrosssection, 2-1080
- POWer:POWer<x>:MAGPROPERTY:  
EDGESOURce, 2-1081
- POWer:POWer<x>:MAGPROPERTY:  
ISOURce, 2-1082
- POWer:POWer<x>:MAGPROPERTY:  
LENgth, 2-1082
- POWer:POWer<x>:MAGPROPERTY:  
PRIMARYTURNs, 2-1083
- POWer:POWer<x>:MAGPROPERTY:  
SEC1SOURce, 2-1084
- POWer:POWer<x>:MAGPROPERTY:  
SEC1TURNs, 2-1085
- POWer:POWer<x>:MAGPROPERTY:  
SEC2SOURce, 2-1085
- POWer:POWer<x>:MAGPROPERTY:  
SEC2TURNs, 2-1086
- POWer:POWer<x>:MAGPROPERTY:  
SEC3SOURce, 2-1087
- POWer:POWer<x>:MAGPROPERTY:  
SEC3TURNs, 2-1088
- POWer:POWer<x>:MAGPROPERTY:  
SEC4SOURce, 2-1089
- POWer:POWer<x>:MAGPROPERTY:  
SEC4TURNs, 2-1090
- POWer:POWer<x>:MAGPROPERTY:  
SEC5SOURce, 2-1090
- POWer:POWer<x>:MAGPROPERTY:  
SEC5TURNs, 2-1091
- POWer:POWer<x>:MAGPROPERTY:  
SEC6SOURce, 2-1092
- POWer:POWer<x>:MAGPROPERTY:  
SEC6TURNs, 2-1093
- POWer:POWer<x>:MAGPROPERTY:  
SECPhase, 2-1094
- POWer:POWer<x>:MAGPROPERTY:  
SECVolt, 2-1094
- POWer:POWer<x>:MAGPROPERTY:  
SECWINDings, 2-1095
- POWer:POWer<x>:MAGPROPERTY:UNITs, 2-1096
- POWer:POWer<x>:MAGPROPERTY:  
VSOURce, 2-1097

POWer:POWer<x>:NDUTYCYCLE:  
     EDGEType, 2-1097  
 POWer:POWer<x>:NDUTYCYCLE:  
     INPUTSource, 2-1098  
 POWer:POWer<x>:NPULSEWIDTH:  
     INPUTSource, 2-1098  
 POWer:POWer<x>:PDUTYCYCLE:  
     EDGEType, 2-1099  
 POWer:POWer<x>:PDUTYCYCLE:  
     INPUTSource, 2-1099  
 POWer:POWer<x>:PERIOD:EDGE, 2-1100  
 POWer:POWer<x>:PERIOD:INPUTSource, 2-1100  
 POWer:POWer<x>:POWERQUALITY:  
     CCYCles, 2-1101  
 POWer:POWer<x>:POWERQUALITY:  
     FREFeRence, 2-1102  
 POWer:POWer<x>:POWERQUALITY:  
     ISOURce, 2-1102  
 POWer:POWer<x>:POWERQUALITY:  
     STYPe, 2-1103  
 POWer:POWer<x>:POWERQUALITY:  
     VSOURce, 2-1103  
 POWer:POWer<x>:PPULSEWIDTH:  
     INPUTSource, 2-1104  
 POWer:POWer<x>:PRESET, 2-1104  
 POWer:POWer<x>:PSRR:AMP<x>Val, 2-1105  
 POWer:POWer<x>:PSRR:AMPMode, 2-1106  
 POWer:POWer<x>:PSRR:  
     ANALYSISMethoD, 2-1106  
 POWer:POWer<x>:PSRR:AUTORbw, 2-1107  
 POWer:POWer<x>:PSRR:  
     CONNECTSTATus?, 2-1107  
 POWer:POWer<x>:PSRR:CONSTAMPlitude, 2-1108  
 POWer:POWer<x>:PSRR:FREQ<x>Val, 2-1109  
 POWer:POWer<x>:PSRR:GENERator, 2-1110  
 POWer:POWer<x>:PSRR:GENIPADDress, 2-1111  
 POWer:POWer<x>:PSRR:IMPEDance, 2-1111  
 POWer:POWer<x>:PSRR:INPUTSource, 2-1112  
 POWer:POWer<x>:PSRR:OUTPUTSource, 2-1112  
 POWer:POWer<x>:PSRR:PPD, 2-1113  
 POWer:POWer<x>:PSRR:  
     STARTFREQUency, 2-1113  
 POWer:POWer<x>:PSRR:STOPFREQUency, 2-1114  
 POWer:POWer<x>:PSRR:TESTCONNECTION, 2-1115  
 POWer:POWer<x>:RDSON:DEVICEType, 2-1115  
 POWer:POWer<x>:RDSON:ISOURce, 2-1116  
 POWer:POWer<x>:RDSON:VSOURce, 2-1116  
 POWer:POWer<x>:REFLevels:ABSolute:  
     FALLHigh, 2-1117  
 POWer:POWer<x>:REFLevels:ABSolute:  
     FALLLow, 2-1118  
 POWer:POWer<x>:REFLevels:ABSolute:  
     FALLMid, 2-1118  
 POWer:POWer<x>:REFLevels:ABSolute:  
     HYSTEResis, 2-1119  
 POWer:POWer<x>:REFLevels:ABSolute:  
     RISEHigh, 2-1120  
 POWer:POWer<x>:REFLevels:ABSolute:  
     RISELow, 2-1120  
 POWer:POWer<x>:REFLevels:ABSolute:  
     RISEMid, 2-1121  
 POWer:POWer<x>:REFLevels:ABSolute:  
     TYPE, 2-1121  
 POWer:POWer<x>:REFLevels:BASETop, 2-1122  
 POWer:POWer<x>:REFLevels:METHoD, 2-1122  
 POWer:POWer<x>:REFLevels:PERCent:  
     FALLHigh, 2-1123  
 POWer:POWer<x>:REFLevels:PERCent:  
     FALLLow, 2-1124  
 POWer:POWer<x>:REFLevels:PERCent:  
     FALLMid, 2-1124  
 POWer:POWer<x>:REFLevels:PERCent:  
     HYSTEResis, 2-1125  
 POWer:POWer<x>:REFLevels:PERCent:  
     RISEHigh, 2-1125  
 POWer:POWer<x>:REFLevels:PERCent:  
     RISELow, 2-1126  
 POWer:POWer<x>:REFLevels:PERCent:  
     RISEMid, 2-1127  
 POWer:POWer<x>:REFLevels:PERCent:  
     TYPE, 2-1127  
 POWer:POWer<x>:RESUlts:ALLAcqs:  
     MAXimum?, 2-1128  
 POWer:POWer<x>:RESUlts:ALLAcqs:  
     MEAN?, 2-1130  
 POWer:POWer<x>:RESUlts:ALLAcqs:  
     MINimum?, 2-1132  
 POWer:POWer<x>:RESUlts:ALLAcqs:  
     PK2PK?, 2-1135  
 POWer:POWer<x>:RESUlts:ALLAcqs:  
     POPULATION?, 2-1137  
 POWer:POWer<x>:RESUlts:ALLAcqs:  
     STDDev?, 2-1139

POWer:POWer<x>:RESUlts:CURRentacq:  
F1MAG?, 2-1141

POWer:POWer<x>:RESUlts:CURRentacq:  
F3MAG?, 2-1142

POWer:POWer<x>:RESUlts:CURRentacq:  
FREQUENCY?, 2-1142

POWer:POWer<x>:RESUlts:CURRentacq:  
IRMS?, 2-1143

POWer:POWer<x>:RESUlts:CURRentacq:  
MAXimum?, 2-1143

POWer:POWer<x>:RESUlts:CURRentacq:  
MEAN?, 2-1145

POWer:POWer<x>:RESUlts:CURRentacq:  
MINimum?, 2-1147

POWer:POWer<x>:RESUlts:CURRentacq:  
PK2PK?, 2-1149

POWer:POWer<x>:RESUlts:CURRentacq:  
POHCL?, 2-1151

POWer:POWer<x>:RESUlts:CURRentacq:  
POHCM?, 2-1152

POWer:POWer<x>:RESUlts:CURRentacq:  
POHCS?, 2-1152

POWer:POWer<x>:RESUlts:CURRentacq:  
POPulation?, 2-1153

POWer:POWer<x>:RESUlts:CURRentacq:  
RMS?, 2-1155

POWer:POWer<x>:RESUlts:CURRentacq:  
STATUS?, 2-1155

POWer:POWer<x>:RESUlts:CURRentacq:  
STDDev?, 2-1156

POWer:POWer<x>:RESUlts:CURRentacq:  
THDF?, 2-1158

POWer:POWer<x>:RESUlts:CURRentacq:  
THDR?, 2-1159

POWer:POWer<x>:RESUlts:CURRentacq:  
TRPWR?, 2-1159

POWer:POWer<x>:RESUlts:CURRentacq:  
VRMS?, 2-1160

POWer:POWer<x>:SEQSETup, 2-1160

POWer:POWer<x>:SEQUence, 2-1161

POWer:POWer<x>:SOA:ISOURce, 2-1161

POWer:POWer<x>:SOA:POINT<x>, 2-1162

POWer:POWer<x>:SOA:RECALLmask, 2-1163

POWer:POWer<x>:SOA:RECALLmask:  
FILEName, 2-1163

POWer:POWer<x>:SOA:SAVemask, 2-1163

POWer:POWer<x>:SOA:SAVemask:  
AUTOINCrement, 2-1164

POWer:POWer<x>:SOA:SAVemask:  
FILEName, 2-1164

POWer:POWer<x>:SOA:SAVemask:FOLDer, 2-1165

POWer:POWer<x>:SOA:VSOURce, 2-1165

POWer:POWer<x>:SWITCHINGLOSS:  
DEVICEType, 2-1166

POWer:POWer<x>:SWITCHINGLOSS:  
GATESource, 2-1166

POWer:POWer<x>:SWITCHINGLOSS:  
ILEVELAbs, 2-1167

POWer:POWer<x>:SWITCHINGLOSS:  
ILEVELPct, 2-1167

POWer:POWer<x>:SWITCHINGLOSS:  
ISOURce, 2-1168

POWer:POWer<x>:SWITCHINGLOSS:  
LEVELUNIts, 2-1169

POWer:POWer<x>:SWITCHINGLOSS:  
RDSOn, 2-1169

POWer:POWer<x>:SWITCHINGLOSS:  
SWLCONFIGType, 2-1170

POWer:POWer<x>:SWITCHINGLOSS:  
VCESat, 2-1171

POWer:POWer<x>:SWITCHINGLOSS:  
VGLevel, 2-1171

POWer:POWer<x>:SWITCHINGLOSS:  
VLEVELAbs, 2-1172

POWer:POWer<x>:SWITCHINGLOSS:  
VLEVELPct, 2-1172

POWer:POWer<x>:SWITCHINGLOSS:  
VSOURce, 2-1173

POWer:POWer<x>:SWITCHINGRIPPLE:  
INPUTSOurce, 2-1174

POWer:POWer<x>:SWITCHINGRIPPLE:  
LFREQUency, 2-1174

POWer:POWer<x>:TURNOFFtime:  
FREQUency, 2-1175

POWer:POWer<x>:TURNOFFtime:  
INPUTLEVel, 2-1175

POWer:POWer<x>:TURNOFFtime:  
INPUTSOurce, 2-1176

POWer:POWer<x>:TURNOFFtime:  
MAXTIME, 2-1177

POWer:POWer<x>:TURNOFFtime:  
MAXVoltage, 2-1177

POWer:POWer<x>:TURNOFFtime:  
     NUMOUTputs, 2-1178  
 POWer:POWer<x>:TURNOFFtime:  
     OUTPUT1SOURce, 2-1179  
 POWer:POWer<x>:TURNOFFtime:  
     OUTPUT1VOLTage, 2-1180  
 POWer:POWer<x>:TURNOFFtime:  
     OUTPUT2SOURce, 2-1180  
 POWer:POWer<x>:TURNOFFtime:  
     OUTPUT2VOLTage, 2-1181  
 POWer:POWer<x>:TURNOFFtime:  
     OUTPUT3SOURce, 2-1182  
 POWer:POWer<x>:TURNOFFtime:  
     OUTPUT3VOLTage, 2-1182  
 POWer:POWer<x>:TURNOFFtime:  
     OUTPUT4SOURce, 2-1183  
 POWer:POWer<x>:TURNOFFtime:  
     OUTPUT4VOLTage, 2-1184  
 POWer:POWer<x>:TURNOFFtime:  
     OUTPUT5SOURce, 2-1185  
 POWer:POWer<x>:TURNOFFtime:  
     OUTPUT5VOLTage, 2-1185  
 POWer:POWer<x>:TURNOFFtime:  
     OUTPUT6SOURce, 2-1186  
 POWer:POWer<x>:TURNOFFtime:  
     OUTPUT6VOLTage, 2-1187  
 POWer:POWer<x>:TURNOFFtime:  
     OUTPUT7SOURce, 2-1187  
 POWer:POWer<x>:TURNOFFtime:  
     OUTPUT7VOLTage, 2-1188  
 POWer:POWer<x>:TURNOFFtime:TYPE, 2-1189  
 POWer:POWer<x>:TURNONtime:  
     FREQuency, 2-1189  
 POWer:POWer<x>:TURNONtime:  
     INPUTLEVel, 2-1190  
 POWer:POWer<x>:TURNONtime:  
     INPUTSOurce, 2-1191  
 POWer:POWer<x>:TURNONtime:  
     MAXTIME, 2-1191  
 POWer:POWer<x>:TURNONtime:  
     MAXVoltage, 2-1192  
 POWer:POWer<x>:TURNONtime:  
     NUMOUTputs, 2-1192  
 POWer:POWer<x>:TURNONtime:  
     OUTPUT1SOURce, 2-1194  
 POWer:POWer<x>:TURNONtime:  
     OUTPUT1VOLTage, 2-1194

POWer:POWer<x>:TURNONtime:  
     OUTPUT2SOURce, 2-1195  
 POWer:POWer<x>:TURNONtime:  
     OUTPUT2VOLTage, 2-1196  
 POWer:POWer<x>:TURNONtime:  
     OUTPUT3SOURce, 2-1196  
 POWer:POWer<x>:TURNONtime:  
     OUTPUT3VOLTage, 2-1197  
 POWer:POWer<x>:TURNONtime:  
     OUTPUT4SOURce, 2-1198  
 POWer:POWer<x>:TURNONtime:  
     OUTPUT4VOLTage, 2-1198  
 POWer:POWer<x>:TURNONtime:  
     OUTPUT5SOURce, 2-1199  
 POWer:POWer<x>:TURNONtime:  
     OUTPUT5VOLTage, 2-1200  
 POWer:POWer<x>:TURNONtime:  
     OUTPUT6SOURce, 2-1201  
 POWer:POWer<x>:TURNONtime:  
     OUTPUT6VOLTage, 2-1201  
 POWer:POWer<x>:TURNONtime:  
     OUTPUT7SOURce, 2-1202  
 POWer:POWer<x>:TURNONtime:  
     OUTPUT7VOLTage, 2-1203  
 POWer:POWer<x>:TURNONtime:TYPE, 2-1203  
 POWer:POWer<x>:TYPE, 2-1204  
 POWer:POWer<x>:WRAP:DEGrees, 2-1205  
 POWer:POWer<x>:WRAP:STATE, 2-1205  
 \*PSC, 2-1206  
 \*PUD, 2-1207

## R

RECALL:MASK, 2-1207  
 RECALL:SESSion, 2-1208  
 RECALL:SETUp, 2-1209  
 RECALL:WAVEform, 2-1209  
 REF:ADDNew, 2-1210  
 REF:DELeTe, 2-1210  
 REF:LIST?, 2-1211  
 REF:REF<x>:DESKew, 2-1211  
 REF:REF<x>:LABel:COLor, 2-1212  
 REF:REF<x>:LABel:FONT:BOLD, 2-1212  
 REF:REF<x>:LABel:FONT:ITALic, 2-1213  
 REF:REF<x>:LABel:FONT:SIZE, 2-1213  
 REF:REF<x>:LABel:FONT:TYPE, 2-1213  
 REF:REF<x>:LABel:FONT:UNDERline, 2-1214  
 REF:REF<x>:LABel:NAME, 2-1214

REF:REF<x>:LABel:XPOS, 2-1215  
 REF:REF<x>:LABel:YPOS, 2-1215  
 REF:REF<x>:SOUrce, 2-1216  
 REF<x>\_D<x>:LABel:COLor, 2-1220  
 REF<x>\_D<x>:LABel:FONT:BOLD, 2-1221  
 REF<x>\_D<x>:LABel:FONT:ITALic, 2-1221  
 REF<x>\_D<x>:LABel:FONT:SIZE, 2-1222  
 REF<x>\_D<x>:LABel:FONT:TYPE, 2-1222  
 REF<x>\_D<x>:LABel:FONT:UNDERline, 2-1223  
 REF<x>\_D<x>:LABel:NAME, 2-1223  
 REF<x>\_D<x>:LABel:XPOS, 2-1224  
 REF<x>\_D<x>:LABel:YPOS, 2-1224  
 REF<x>\_DALL:LABel:COLor, 2-1216  
 REF<x>\_DALL:LABel:FONT:BOLD, 2-1217  
 REF<x>\_DALL:LABel:FONT:ITALic, 2-1217  
 REF<x>\_DALL:LABel:FONT:SIZE, 2-1218  
 REF<x>\_DALL:LABel:FONT:TYPE, 2-1218  
 REF<x>\_DALL:LABel:FONT:UNDERline, 2-1219  
 REF<x>\_DALL:LABel:NAME, 2-1219  
 REF<x>\_DALL:LABel:XPOS, 2-1220  
 REF<x>\_DALL:LABel:YPOS, 2-1220  
 REM, 2-1225  
 ROsc:SOUrce, 2-1225  
 ROsc:STATE?, 2-1226  
 \*RST, 2-1226

## S

SAve:EVENTtable:BUS, 2-1228  
 SAve:EVENTtable:CUSTom, 2-1228  
 SAve:EVENTtable:CUSTom:COMMENTS, 2-1229  
 SAve:EVENTtable:CUSTom:DATAFormat, 2-1229  
 SAve:EVENTtable:CUSTom:  
   INCLUDEREFs, 2-1230  
 SAve:EVENTtable:MEASUrement, 2-1230  
 SAve:EVENTtable:PEAKS, 2-1231  
 SAve:EVENTtable:SEARCHTable, 2-1231  
 SAve:IMAGe, 2-1232  
 SAve:IMAGe:COMPosition, 2-1233  
 SAve:IMAGe:VIEWTYpe, 2-1233  
 SAve:MASK , 2-1234  
 SAve:PLOTData, 2-1234  
 SAve:REPOrt, 2-1235  
 SAve:REPOrt:COMMENTS, 2-1236  
 SAve:SESSion, 2-1236  
 SAve:SETUp, 2-1237  
 SAve:SETUp:INCLUDEREFs, 2-1238  
 SAve:WAVEform, 2-1238

SAve:WAVEform:GATing, 2-1240  
 SAve:WAVEform:GATing:RESAMPLERate, 2-1241  
 SAve:WAVEform:SOURCELst?, 2-1242  
 SAVEON:FILE:DEST, 2-1242  
 SAVEON:FILE:NAME, 2-1243  
 SAVEON:IMAGe, 2-1243  
 SAVEON:IMAGe:FILEFormat, 2-1244  
 SAVEON:TRIGger, 2-1244  
 SAVEON:WAVEform, 2-1245  
 SAVEON:WAVEform:FILEFormat, 2-1246  
 SAVEON:WAVEform:SOUrce, 2-1247  
 SAVEONEVent:FILEDest, 2-1247  
 SAVEONEVent:FILEName, 2-1248  
 SAVEONEVent:IMAGe:FILEFormat, 2-1248  
 SAVEONEVent:WAVEform:FILEFormat, 2-1249  
 SAVEONEVent:WAVEform:SOUrce, 2-1250  
 SCOPEApp REBOOT, 2-1250  
 SEARCH:ADDNew, 2-1251  
 SEARCH:DELete, 2-1251  
 SEARCH:DELETEALL, 2-1251  
 SEARCH:LIST?, 2-1252  
 SEARCH:SEARCH<x>:COpy, 2-1252  
 SEARCH:SEARCH<x>:NAVigate, 2-1252  
 SEARCH:SEARCH<x>:TOTAL?, 2-1253  
 SEARCH:SEARCH<x>:TRIGger:A:BUS:  
   ARINC429A:CONDition, 2-1253  
 SEARCH:SEARCH<x>:TRIGger:A:BUS:  
   ARINC429A:DATA:HIVALue, 2-1254  
 SEARCH:SEARCH<x>:TRIGger:A:BUS:  
   ARINC429A:DATA:QUALifier, 2-1255  
 SEARCH:SEARCH<x>:TRIGger:A:BUS:  
   ARINC429A:DATA:VALue, 2-1256  
 SEARCH:SEARCH<x>:TRIGger:A:BUS:  
   ARINC429A:ERRTYPe, 2-1256  
 SEARCH:SEARCH<x>:TRIGger:A:BUS:  
   ARINC429A:LABel:HIVALue, 2-1257  
 SEARCH:SEARCH<x>:TRIGger:A:BUS:  
   ARINC429A:LABel:QUALifier, 2-1258  
 SEARCH:SEARCH<x>:TRIGger:A:BUS:  
   ARINC429A:LABel:VALue, 2-1258  
 SEARCH:SEARCH<x>:TRIGger:A:BUS:  
   ARINC429A:SDI:VALue, 2-1259  
 SEARCH:SEARCH<x>:TRIGger:A:BUS:  
   ARINC429A:SSM:VALue, 2-1260  
 SEARCH:SEARCH<x>:TRIGger:A:BUS:AUDio:  
   CONDition, 2-1260

- SEARCH:SEARCH<x>:TRIGger:A:BUS:AUDio:  
DATA:HITDMVALue, 2-1261
- SEARCH:SEARCH<x>:TRIGger:A:BUS:AUDio:  
DATA:HIVALue, 2-1261
- SEARCH:SEARCH<x>:TRIGger:A:BUS:AUDio:  
DATA:OFFSet, 2-1262
- SEARCH:SEARCH<x>:TRIGger:A:BUS:AUDio:  
DATA:QUALifier, 2-1262
- SEARCH:SEARCH<x>:TRIGger:A:BUS:AUDio:  
DATA:TDMVALue, 2-1263
- SEARCH:SEARCH<x>:TRIGger:A:BUS:AUDio:  
DATA:VALue, 2-1264
- SEARCH:SEARCH<x>:TRIGger:A:BUS:AUDio:  
DATA:WORD, 2-1265
- SEARCH:SEARCH<x>:TRIGger:A:BUS:  
AUTOETHERnet:CONDition, 2-1265
- SEARCH:SEARCH<x>:TRIGger:A:BUS:  
AUTOETHERnet:DATA:HIVALue, 2-1267
- SEARCH:SEARCH<x>:TRIGger:A:BUS:  
AUTOETHERnet:DATA:OFFSet, 2-1267
- SEARCH:SEARCH<x>:TRIGger:A:BUS:  
AUTOETHERnet:DATA:SIZE, 2-1268
- SEARCH:SEARCH<x>:TRIGger:A:BUS:  
AUTOETHERnet:DATA:VALue, 2-1269
- SEARCH:SEARCH<x>:TRIGger:A:BUS:  
AUTOETHERnet:ERRORTYPe, 2-1270
- SEARCH:SEARCH<x>:TRIGger:A:BUS:  
AUTOETHERnet:ETHER:HEADer, 2-1270
- SEARCH:SEARCH<x>:TRIGger:A:BUS:  
AUTOETHERnet:ETHER:TYPe, 2-1271
- SEARCH:SEARCH<x>:TRIGger:A:BUS:  
AUTOETHERnet:IPHeader: DESTinationaddr:  
VALue, 2-1272
- SEARCH:SEARCH<x>:TRIGger:A:BUS:  
AUTOETHERnet:IPHeader:PROTOcol:  
VALue, 2-1272
- SEARCH:SEARCH<x>:TRIGger:A:BUS:  
AUTOETHERnet:IPHeader:SOURceaddr:  
VALue, 2-1273
- SEARCH:SEARCH<x>:TRIGger:A:BUS:  
AUTOETHERnet:MAC:ADDRes: DESTination:  
VALue , 2-1274
- SEARCH:SEARCH<x>:TRIGger:A:BUS:  
AUTOETHERnet:MAC:ADDRes:SOURce:  
VALue, 2-1275
- SEARCH:SEARCH<x>:TRIGger:A:BUS:  
AUTOETHERnet:MAC:LENgth:  
HIVALue, 2-1276
- SEARCH:SEARCH<x>:TRIGger:A:BUS:  
AUTOETHERnet:MAC:LENgth:VALue, 2-1277
- SEARCH:SEARCH<x>:TRIGger:A:BUS:  
AUTOETHERnet:PAYLoad:SIZE, 2-1277
- SEARCH:SEARCH<x>:TRIGger:A:BUS:  
AUTOETHERnet:PAYLoad:VALue, 2-1278
- SEARCH:SEARCH<x>:TRIGger:A:BUS:  
AUTOETHERnet:QTAG:VALue, 2-1279
- SEARCH:SEARCH<x>:TRIGger:A:BUS:  
AUTOETHERnet:QUALifier, 2-1280
- SEARCH:SEARCH<x>:TRIGger:A:BUS:  
AUTOETHERnet:TBT1s:DATA:LENgth, 2-1281
- SEARCH:SEARCH<x>:TRIGger:A:BUS:  
AUTOETHERnet:TBT1s:DATA:VALue, 2-1281
- SEARCH:SEARCH<x>:TRIGger:A:BUS:  
AUTOETHERnet:TCPHeader:ACKnum:  
VALue, 2-1282
- SEARCH:SEARCH<x>:TRIGger:A:BUS:  
AUTOETHERnet:TCPHeader:DESTinationport:  
VALue, 2-1283
- SEARCH:SEARCH<x>:TRIGger:A:BUS:  
AUTOETHERnet:TCPHeader:SEQnum:  
VALue, 2-1284
- SEARCH:SEARCH<x>:TRIGger:A:BUS:  
AUTOETHERnet:TCPHeader:SOURceport:  
VALue, 2-1285
- SEARCH:SEARCH<x>:TRIGger:A:BUS:CAN:  
ADS:TYPe, 2-1285
- SEARCH:SEARCH<x>:TRIGger:A:BUS:CAN:  
CONDition, 2-1286
- SEARCH:SEARCH<x>:TRIGger:A:BUS:CAN:  
CRCType, 2-1287
- SEARCH:SEARCH<x>:TRIGger:A:BUS:CAN:  
DAS:TYPe, 2-1287
- SEARCH:SEARCH<x>:TRIGger:A:BUS:CAN:  
DATA:DIRection, 2-1288
- SEARCH:SEARCH<x>:TRIGger:A:BUS:CAN:  
DATA:OFFSet, 2-1289
- SEARCH:SEARCH<x>:TRIGger:A:BUS:CAN:  
DATA:QUALifier, 2-1290
- SEARCH:SEARCH<x>:TRIGger:A:BUS:CAN:  
DATA:SIZE, 2-1290
- SEARCH:SEARCH<x>:TRIGger:A:BUS:CAN:  
DATA:VALue, 2-1291

SEARCH:SEARCH<x>:TRIGger:A:BUS:CAN:  
DATA:XLBITType, 2-1291

SEARCH:SEARCH<x>:TRIGger:A:BUS:CAN:  
ERRType, 2-1292

SEARCH:SEARCH<x>:TRIGger:A:BUS:CAN:FD:  
BRsBit, 2-1293

SEARCH:SEARCH<x>:TRIGger:A:BUS:CAN:FD:  
ESIBit, 2-1294

SEARCH:SEARCH<x>:TRIGger:A:BUS:CAN:  
FRAMeType, 2-1294

SEARCH:SEARCH<x>:TRIGger:A:BUS:CAN:  
IDentifier:MODE, 2-1295

SEARCH:SEARCH<x>:TRIGger:A:BUS:CAN:  
IDentifier:VALue, 2-1296

SEARCH:SEARCH<x>:TRIGger:A:BUS:CAN:  
PIDentifier:SIZE, 2-1296

SEARCH:SEARCH<x>:TRIGger:A:BUS:CAN:  
PIDentifier:VALue, 2-1297

SEARCH:SEARCH<x>:TRIGger:A:BUS:CAN:  
XLDAa:SIZE, 2-1297

SEARCH:SEARCH<x>:TRIGger:A:BUS:CAN:  
XLDAa:VALue, 2-1298

SEARCH:SEARCH<x>:TRIGger:A:BUS:CPHY:  
BLUe:VALue, 2-1298

SEARCH:SEARCH<x>:TRIGger:A:BUS:CPHY:  
CONDition, 2-1299

SEARCH:SEARCH<x>:TRIGger:A:BUS:CPHY:  
DAa:SIZE, 2-1300

SEARCH:SEARCH<x>:TRIGger:A:BUS:CPHY:  
DAa:VALue, 2-1301

SEARCH:SEARCH<x>:TRIGger:A:BUS:CPHY:  
ERRor:TYPE, 2-1301

SEARCH:SEARCH<x>:TRIGger:A:BUS:CPHY:  
ESCAPEMODE:COMManD, 2-1302

SEARCH:SEARCH<x>:TRIGger:A:BUS:CPHY:  
GREen:VALue, 2-1303

SEARCH:SEARCH<x>:TRIGger:A:BUS:CPHY:  
MODE:TYPE, 2-1303

SEARCH:SEARCH<x>:TRIGger:A:BUS:CPHY:  
PACKets:LIST, 2-1304

SEARCH:SEARCH<x>:TRIGger:A:BUS:CPHY:  
PACKets:TYPE, 2-1307

SEARCH:SEARCH<x>:TRIGger:A:BUS:CPHY:  
PIXel:NUMBer, 2-1308

SEARCH:SEARCH<x>:TRIGger:A:BUS:CPHY:  
PIXel:SEARCHOPTion, 2-1308

SEARCH:SEARCH<x>:TRIGger:A:BUS:CPHY:  
RED:VALue, 2-1309

SEARCH:SEARCH<x>:TRIGger:A:BUS:CPHY:  
SYMBOL:SIZE, 2-1309

SEARCH:SEARCH<x>:TRIGger:A:BUS:CPHY:  
SYMBOL:VALue, 2-1310

SEARCH:SEARCH<x>:TRIGger:A:BUS:CPHY:  
WORD:SIZE, 2-1310

SEARCH:SEARCH<x>:TRIGger:A:BUS:CPHY:  
WORD:VALue, 2-1311

SEARCH:SEARCH<x>:TRIGger:A:BUS:CPHY:  
WORDCOUNT:VALue, 2-1312

SEARCH:SEARCH<x>:TRIGger:A:BUS:CPHY:  
YCBcR:CB, 2-1312

SEARCH:SEARCH<x>:TRIGger:A:BUS:CPHY:  
YCBcR:CR, 2-1313

SEARCH:SEARCH<x>:TRIGger:A:BUS:CPHY:  
YCBcR:Y, 2-1313

SEARCH:SEARCH<x>:TRIGger:A:BUS:CPHY:  
YUV:U, 2-1314

SEARCH:SEARCH<x>:TRIGger:A:BUS:CPHY:  
YUV:V, 2-1314

SEARCH:SEARCH<x>:TRIGger:A:BUS:CPHY:  
YUV:Y, 2-1315

SEARCH:SEARCH<x>:TRIGger:A:BUS:CXPI:  
CONDition, 2-1315

SEARCH:SEARCH<x>:TRIGger:A:BUS:CXPI:  
COUNTER:VALue, 2-1316

SEARCH:SEARCH<x>:TRIGger:A:BUS:CXPI:  
DAa:SIZE, 2-1317

SEARCH:SEARCH<x>:TRIGger:A:BUS:CXPI:  
DAa:VALue, 2-1317

SEARCH:SEARCH<x>:TRIGger:A:BUS:CXPI:  
DLC:VALue, 2-1318

SEARCH:SEARCH<x>:TRIGger:A:BUS:CXPI:  
ERROR:TYPE, 2-1319

SEARCH:SEARCH<x>:TRIGger:A:BUS:CXPI:  
EXTDLC:VALue, 2-1319

SEARCH:SEARCH<x>:TRIGger:A:BUS:CXPI:  
FRAME:TYPE, 2-1320

SEARCH:SEARCH<x>:TRIGger:A:BUS:CXPI:  
FRAMEID:VALue, 2-1321

SEARCH:SEARCH<x>:TRIGger:A:BUS:CXPI:  
NETMN:SLEEPIND, 2-1321

SEARCH:SEARCH<x>:TRIGger:A:BUS:CXPI:  
NETMN:WAKEUPIND, 2-1322



- SEARCH:SEARCH<x>:TRIGger:A:BUS:DPHY:BLUe:VALue, 2-1322
- SEARCH:SEARCH<x>:TRIGger:A:BUS:DPHY:CONDition, 2-1323
- SEARCH:SEARCH<x>:TRIGger:A:BUS:DPHY:DATa:SIze, 2-1324
- SEARCH:SEARCH<x>:TRIGger:A:BUS:DPHY:DATa:VALue, 2-1325
- SEARCH:SEARCH<x>:TRIGger:A:BUS:DPHY:ERRor:TYPe, 2-1325
- SEARCH:SEARCH<x>:TRIGger:A:BUS:DPHY:ESCAPEMODE:COMMand, 2-1326
- SEARCH:SEARCH<x>:TRIGger:A:BUS:DPHY:GREen:VALue, 2-1326
- SEARCH:SEARCH<x>:TRIGger:A:BUS:DPHY:MODE:TYPe, 2-1327
- SEARCH:SEARCH<x>:TRIGger:A:BUS:DPHY:PACKets:LIST, 2-1328
- SEARCH:SEARCH<x>:TRIGger:A:BUS:DPHY:PACKets:TYPe, 2-1331
- SEARCH:SEARCH<x>:TRIGger:A:BUS:DPHY:PIXel:NUMBer, 2-1331
- SEARCH:SEARCH<x>:TRIGger:A:BUS:DPHY:PIXel:SEARCHOPTion, 2-1332
- SEARCH:SEARCH<x>:TRIGger:A:BUS:DPHY:RED:VALue, 2-1333
- SEARCH:SEARCH<x>:TRIGger:A:BUS:DPHY:WORDCOUNT:VALue, 2-1333
- SEARCH:SEARCH<x>:TRIGger:A:BUS:DPHY:YCBCR:CB, 2-1334
- SEARCH:SEARCH<x>:TRIGger:A:BUS:DPHY:YCBCR:CR, 2-1334
- SEARCH:SEARCH<x>:TRIGger:A:BUS:DPHY:YCBCR:Y, 2-1335
- SEARCH:SEARCH<x>:TRIGger:A:BUS:DPHY:YUV:U, 2-1335
- SEARCH:SEARCH<x>:TRIGger:A:BUS:DPHY:YUV:V, 2-1336
- SEARCH:SEARCH<x>:TRIGger:A:BUS:DPHY:YUV:Y, 2-1336
- SEARCH:SEARCH<x>:TRIGger:A:BUS:ESPI:ADDReSS:VALue, 2-1337
- SEARCH:SEARCH<x>:TRIGger:A:BUS:ESPI:COMMAND:OPCode, 2-1338
- SEARCH:SEARCH<x>:TRIGger:A:BUS:ESPI:CONDition, 2-1339
- SEARCH:SEARCH<x>:TRIGger:A:BUS:ESPI:CYCLETYPe, 2-1340
- SEARCH:SEARCH<x>:TRIGger:A:BUS:ESPI:DATa:SIze, 2-1341
- SEARCH:SEARCH<x>:TRIGger:A:BUS:ESPI:DATa:VALue, 2-1342
- SEARCH:SEARCH<x>:TRIGger:A:BUS:ESPI:ERRor:TYPe, 2-1342
- SEARCH:SEARCH<x>:TRIGger:A:BUS:ESPI:LENGth:VALue, 2-1343
- SEARCH:SEARCH<x>:TRIGger:A:BUS:ESPI:PHASe, 2-1344
- SEARCH:SEARCH<x>:TRIGger:A:BUS:ESPI:RESPCYCLE:TYPe, 2-1344
- SEARCH:SEARCH<x>:TRIGger:A:BUS:ESPI:SMBUS:DESTination:ADDReSS, 2-1345
- SEARCH:SEARCH<x>:TRIGger:A:BUS:ESPI:SMBUS:SLAVe:ADDReSS, 2-1346
- SEARCH:SEARCH<x>:TRIGger:A:BUS:ESPI:TAG:VALue, 2-1346
- SEARCH:SEARCH<x>:TRIGger:A:BUS:ESPI:VIRTUALWIRE:COUNT:VALue, 2-1347
- SEARCH:SEARCH<x>:TRIGger:A:BUS:ESPI:VIRTUALWIRE:DATa:VALue, 2-1347
- SEARCH:SEARCH<x>:TRIGger:A:BUS:ESPI:VIRTUALWIRE:INDEX:VALue, 2-1348
- SEARCH:SEARCH<x>:TRIGger:A:BUS:ESPI:VIRTUALWIRE:RESPonse:VALue, 2-1349
- SEARCH:SEARCH<x>:TRIGger:A:BUS:ESPI:VIRTUALWIRE:STATus:VALue, 2-1349
- SEARCH:SEARCH<x>:TRIGger:A:BUS:ETHERCAT:ADDRESSMODE, 2-1350
- SEARCH:SEARCH<x>:TRIGger:A:BUS:ETHERCAT:CNTNV:VALue, 2-1350
- SEARCH:SEARCH<x>:TRIGger:A:BUS:ETHERCAT:COMMANDTYPe, 2-1351
- SEARCH:SEARCH<x>:TRIGger:A:BUS:ETHERCAT:CONDition, 2-1352
- SEARCH:SEARCH<x>:TRIGger:A:BUS:ETHERCAT:CYC:VALue, 2-1353
- SEARCH:SEARCH<x>:TRIGger:A:BUS:ETHERCAT:DATa:SIze, 2-1354
- SEARCH:SEARCH<x>:TRIGger:A:BUS:ETHERCAT:DATa:VALue, 2-1354
- SEARCH:SEARCH<x>:TRIGger:A:BUS:ETHERCAT:DATAGRAM, 2-1355

- SEARCH:SEARCH<x>:TRIGger:A:BUS:  
ETHERCAT:DATAGRAMHEADer, 2-1355
- SEARCH:SEARCH<x>:TRIGger:A:BUS:  
ETHERCAT:DATAGRAMHEADer:  
LENGth, 2-1356
- SEARCH:SEARCH<x>:TRIGger:A:BUS:  
ETHERCAT:DESTINATIONADDRess:  
VALue, 2-1357
- SEARCH:SEARCH<x>:TRIGger:A:BUS:  
ETHERCAT:DEVICEADDRess, 2-1357
- SEARCH:SEARCH<x>:TRIGger:A:BUS:  
ETHERCAT:ERRor:REPLy:SERVice:  
DATa, 2-1358
- SEARCH:SEARCH<x>:TRIGger:A:BUS:  
ETHERCAT:FRAMETYPe, 2-1359
- SEARCH:SEARCH<x>:TRIGger:A:BUS:  
ETHERCAT:HASH:VALue, 2-1359
- SEARCH:SEARCH<x>:TRIGger:A:BUS:  
ETHERCAT:HEADer:LENGth, 2-1360
- SEARCH:SEARCH<x>:TRIGger:A:BUS:  
ETHERCAT:IDENTification:VALue, 2-1360
- SEARCH:SEARCH<x>:TRIGger:A:BUS:  
ETHERCAT:IDX:VALue, 2-1361
- SEARCH:SEARCH<x>:TRIGger:A:BUS:  
ETHERCAT:INDEX:VALue, 2-1362
- SEARCH:SEARCH<x>:TRIGger:A:BUS:  
ETHERCAT:IPDESTination:ADDRess:  
VALue, 2-1362
- SEARCH:SEARCH<x>:TRIGger:A:BUS:  
ETHERCAT:IPSOURce:ADDRess:  
VALue, 2-1363
- SEARCH:SEARCH<x>:TRIGger:A:BUS:  
ETHERCAT:IRQ:VALue, 2-1364
- SEARCH:SEARCH<x>:TRIGger:A:BUS:  
ETHERCAT:LEN:VALue, 2-1364
- SEARCH:SEARCH<x>:TRIGger:A:BUS:  
ETHERCAT:LOGICALADDRess:  
VALue, 2-1365
- SEARCH:SEARCH<x>:TRIGger:A:BUS:  
ETHERCAT:MAILbox, 2-1366
- SEARCH:SEARCH<x>:TRIGger:A:BUS:  
ETHERCAT:MAILbox:ADDRess:VALue, 2-1366
- SEARCH:SEARCH<x>:TRIGger:A:BUS:  
ETHERCAT:MAILbox:CNT:VALue, 2-1367
- SEARCH:SEARCH<x>:TRIGger:A:BUS:  
ETHERCAT:MAILbox:DETail, 2-1367
- SEARCH:SEARCH<x>:TRIGger:A:BUS:  
ETHERCAT:MAILbox:HEADer, 2-1368
- SEARCH:SEARCH<x>:TRIGger:A:BUS:  
ETHERCAT:MAILBOXTYPe, 2-1369
- SEARCH:SEARCH<x>:TRIGger:A:BUS:  
ETHERCAT:NETWork:VARiable, 2-1370
- SEARCH:SEARCH<x>:TRIGger:A:BUS:  
ETHERCAT:NETWork:VARiable:  
HEADer, 2-1370
- SEARCH:SEARCH<x>:TRIGger:A:BUS:  
ETHERCAT:NETWorkVARiable:DATa:  
SIZE, 2-1371
- SEARCH:SEARCH<x>:TRIGger:A:BUS:  
ETHERCAT:NETWorkVARiable:DATa:  
VALue, 2-1372
- SEARCH:SEARCH<x>:TRIGger:A:BUS:  
ETHERCAT:OFFSet:VALue, 2-1372
- SEARCH:SEARCH<x>:TRIGger:A:BUS:  
ETHERCAT:POSition:VALue, 2-1373
- SEARCH:SEARCH<x>:TRIGger:A:BUS:  
ETHERCAT:PROTOCOLTYPe, 2-1373
- SEARCH:SEARCH<x>:TRIGger:A:BUS:  
ETHERCAT:PUBID:VALue, 2-1374
- SEARCH:SEARCH<x>:TRIGger:A:BUS:  
ETHERCAT:QUALity:VALue, 2-1375
- SEARCH:SEARCH<x>:TRIGger:A:BUS:  
ETHERCAT:SERVice:DATa:LENGth, 2-1375
- SEARCH:SEARCH<x>:TRIGger:A:BUS:  
ETHERCAT:SERVice:DATa:SIZE, 2-1376
- SEARCH:SEARCH<x>:TRIGger:A:BUS:  
ETHERCAT:SERVice:DATa:VALue, 2-1377
- SEARCH:SEARCH<x>:TRIGger:A:BUS:  
ETHERCAT:SOURCEADDRess:VALue, 2-1377
- SEARCH:SEARCH<x>:TRIGger:A:BUS:  
ETHERCAT:SRC:PORT:VALue, 2-1378
- SEARCH:SEARCH<x>:TRIGger:A:BUS:  
ETHERCAT:TCI:VALue, 2-1379
- SEARCH:SEARCH<x>:TRIGger:A:BUS:  
ETHERCAT:WKC:VALue, 2-1379
- SEARCH:SEARCH<x>:TRIGger:A:BUS:  
ETHERnet:CONDition, 2-1380
- SEARCH:SEARCH<x>:TRIGger:A:BUS:  
ETHERnet:DATa:HIVALue, 2-1381
- SEARCH:SEARCH<x>:TRIGger:A:BUS:  
ETHERnet:DATa:OFFSet, 2-1381
- SEARCH:SEARCH<x>:TRIGger:A:BUS:  
ETHERnet:DATa:QUALifier, 2-1382

SEARCH:SEARCH<x>:TRIGger:A:BUS:  
ETHERnet:DATA:SIZE, 2-1383

SEARCH:SEARCH<x>:TRIGger:A:BUS:  
ETHERnet:DATA:VALue, 2-1384

SEARCH:SEARCH<x>:TRIGger:A:BUS:  
ETHERnet:IPHeader:DESTinationadr:  
VALue, 2-1385

SEARCH:SEARCH<x>:TRIGger:A:BUS:  
ETHERnet:IPHeader:PROTOcol:VALue, 2-1385

SEARCH:SEARCH<x>:TRIGger:A:BUS:  
ETHERnet:IPHeader:SOUrceaddr:  
VALue, 2-1386

SEARCH:SEARCH<x>:TRIGger:A:BUS:  
ETHERnet:MAC:ADDReSS:DESTination:  
VALue, 2-1387

SEARCH:SEARCH<x>:TRIGger:A:BUS:  
ETHERnet:MAC:ADDReSS:SOUrce:  
VALue, 2-1388

SEARCH:SEARCH<x>:TRIGger:A:BUS:  
ETHERnet:MAC:LENGth:HIVALue, 2-1389

SEARCH:SEARCH<x>:TRIGger:A:BUS:  
ETHERnet:MAC:LENGth:VALue, 2-1389

SEARCH:SEARCH<x>:TRIGger:A:BUS:  
ETHERnet:QTAG:VALue, 2-1390

SEARCH:SEARCH<x>:TRIGger:A:BUS:  
ETHERnet:TCPHeader:ACKnum:VALue, 2-1391

SEARCH:SEARCH<x>:TRIGger:A:BUS:  
ETHERnet:TCPHeader:DESTinationport:  
VALue, 2-1391

SEARCH:SEARCH<x>:TRIGger:A:BUS:  
ETHERnet:TCPHeader:SEQnum:VALue, 2-1392

SEARCH:SEARCH<x>:TRIGger:A:BUS:  
ETHERnet:TCPHeader:SOUrceport:  
VALue, 2-1393

SEARCH:SEARCH<x>:TRIGger:A:BUS:EUSB:  
ADDReSS:HIVALue, 2-1394

SEARCH:SEARCH<x>:TRIGger:A:BUS:EUSB:  
ADDReSS:VALue, 2-1394

SEARCH:SEARCH<x>:TRIGger:A:BUS:EUSB:  
CONDition, 2-1395

SEARCH:SEARCH<x>:TRIGger:A:BUS:EUSB:  
DATA:HIVALue, 2-1396

SEARCH:SEARCH<x>:TRIGger:A:BUS:EUSB:  
DATA:OFFSet, 2-1397

SEARCH:SEARCH<x>:TRIGger:A:BUS:EUSB:  
DATA:QUALifier, 2-1397

SEARCH:SEARCH<x>:TRIGger:A:BUS:EUSB:  
DATA:SIZE, 2-1398

SEARCH:SEARCH<x>:TRIGger:A:BUS:EUSB:  
DATA:TYPE, 2-1399

SEARCH:SEARCH<x>:TRIGger:A:BUS:EUSB:  
DATA:VALue, 2-1399

SEARCH:SEARCH<x>:TRIGger:A:BUS:EUSB:  
DATABITS:SIZE, 2-1400

SEARCH:SEARCH<x>:TRIGger:A:BUS:EUSB:  
ENDPoint:VALue, 2-1401

SEARCH:SEARCH<x>:TRIGger:A:BUS:EUSB:  
ENDSEARCh, 2-1402

SEARCH:SEARCH<x>:TRIGger:A:BUS:EUSB:  
EOP:DATABITS:SIZE, 2-1402

SEARCH:SEARCH<x>:TRIGger:A:BUS:EUSB:  
EOP:QUALifier, 2-1403

SEARCH:SEARCH<x>:TRIGger:A:BUS:EUSB:  
EOPBITS:MAX:SIZE, 2-1404

SEARCH:SEARCH<x>:TRIGger:A:BUS:EUSB:  
EOPBITS:MIN:SIZE, 2-1404

SEARCH:SEARCH<x>:TRIGger:A:BUS:EUSB:  
ERRType, 2-1401

SEARCH:SEARCH<x>:TRIGger:A:BUS:EUSB:  
HANDSHAKEType, 2-1405

SEARCH:SEARCH<x>:TRIGger:A:BUS:EUSB:  
RAP:ADDReSS:VALue, 2-1406

SEARCH:SEARCH<x>:TRIGger:A:BUS:EUSB:  
RAP:COMMANd, 2-1406

SEARCH:SEARCH<x>:TRIGger:A:BUS:EUSB:  
RAP:DATA:VALue, 2-1407

SEARCH:SEARCH<x>:TRIGger:A:BUS:EUSB:  
RAP:OPTion, 2-1408

SEARCH:SEARCH<x>:TRIGger:A:BUS:EUSB:  
SOFFRAMENUMber, 2-1408

SEARCH:SEARCH<x>:TRIGger:A:BUS:EUSB:  
SPECIALType, 2-1409

SEARCH:SEARCH<x>:TRIGger:A:BUS:EUSB:  
SPLit:ET:VALue, 2-1409

SEARCH:SEARCH<x>:TRIGger:A:BUS:EUSB:  
SPLit:HUB:VALue, 2-1410

SEARCH:SEARCH<x>:TRIGger:A:BUS:EUSB:  
SPLit:PORT:VALue, 2-1411

SEARCH:SEARCH<x>:TRIGger:A:BUS:EUSB:  
SPLit:SC:VALue, 2-1411

SEARCH:SEARCH<x>:TRIGger:A:BUS:EUSB:  
SPLit:SE:VALue, 2-1412

- SEARCH:SEARCH<x>:TRIGger:A:BUS:EUSB:  
SYNC:QUALifier, 2-1413
- SEARCH:SEARCH<x>:TRIGger:A:BUS:EUSB:  
SYNCBITS:MAX:SIZE, 2-1414
- SEARCH:SEARCH<x>:TRIGger:A:BUS:EUSB:  
SYNCBITS:MIN:SIZE, 2-1414
- SEARCH:SEARCH<x>:TRIGger:A:BUS:EUSB:  
SYNCSEARCh, 2-1415
- SEARCH:SEARCH<x>:TRIGger:A:BUS:EUSB:  
TOKENType, 2-1415
- SEARCH:SEARCH<x>:TRIGger:A:BUS:  
FLEXRAY:CONDition, 2-1416
- SEARCH:SEARCH<x>:TRIGger:A:BUS:  
FLEXRAY:CYCLEcount:HIVALue, 2-1417
- SEARCH:SEARCH<x>:TRIGger:A:BUS:  
FLEXRAY:CYCLEcount:QUALifier, 2-1418
- SEARCH:SEARCH<x>:TRIGger:A:BUS:  
FLEXRAY:CYCLEcount:VALue, 2-1418
- SEARCH:SEARCH<x>:TRIGger:A:BUS:  
FLEXRAY:DATA:HIVALue, 2-1419
- SEARCH:SEARCH<x>:TRIGger:A:BUS:  
FLEXRAY:DATA:OFFSet, 2-1420
- SEARCH:SEARCH<x>:TRIGger:A:BUS:  
FLEXRAY:DATA:QUALifier, 2-1420
- SEARCH:SEARCH<x>:TRIGger:A:BUS:  
FLEXRAY:DATA:SIZE, 2-1421
- SEARCH:SEARCH<x>:TRIGger:A:BUS:  
FLEXRAY:DATA:VALue, 2-1422
- SEARCH:SEARCH<x>:TRIGger:A:BUS:  
FLEXRAY:EOFTYPE, 2-1422
- SEARCH:SEARCH<x>:TRIGger:A:BUS:  
FLEXRAY:ERRTYPE, 2-1423
- SEARCH:SEARCH<x>:TRIGger:A:BUS:  
FLEXRAY:FRAMEID:HIVALue, 2-1424
- SEARCH:SEARCH<x>:TRIGger:A:BUS:  
FLEXRAY:FRAMEID:QUALifier, 2-1424
- SEARCH:SEARCH<x>:TRIGger:A:BUS:  
FLEXRAY:FRAMEID:VALue, 2-1425
- SEARCH:SEARCH<x>:TRIGger:A:BUS:  
FLEXRAY:FRAMEType, 2-1426
- SEARCH:SEARCH<x>:TRIGger:A:BUS:  
FLEXRAY:HEADER:CRC, 2-1426
- SEARCH:SEARCH<x>:TRIGger:A:BUS:  
FLEXRAY:HEADER:CYCLECount, 2-1427
- SEARCH:SEARCH<x>:TRIGger:A:BUS:  
FLEXRAY:HEADER:FRAMEID, 2-1427
- SEARCH:SEARCH<x>:TRIGger:A:BUS:  
FLEXRAY:HEADER:INDBits, 2-1428
- SEARCH:SEARCH<x>:TRIGger:A:BUS:  
FLEXRAY:HEADER:PAYLENgth, 2-1429
- SEARCH:SEARCH<x>:TRIGger:A:BUS:I2C:  
ADDRess:MODE, 2-1429
- SEARCH:SEARCH<x>:TRIGger:A:BUS:I2C:  
ADDRess:VALue, 2-1430
- SEARCH:SEARCH<x>:TRIGger:A:BUS:I2C:  
CONDition, 2-1430
- SEARCH:SEARCH<x>:TRIGger:A:BUS:I2C:DATA:  
DIRection, 2-1431
- SEARCH:SEARCH<x>:TRIGger:A:BUS:I2C:DATA:  
SIZE, 2-1432
- SEARCH:SEARCH<x>:TRIGger:A:BUS:I2C:DATA:  
VALue, 2-1432
- SEARCH:SEARCH<x>:TRIGger:A:BUS:I3C:  
ADDRess:MODE, 2-1433
- SEARCH:SEARCH<x>:TRIGger:A:BUS:I3C:  
ADDRess:VALue, 2-1434
- SEARCH:SEARCH<x>:TRIGger:A:BUS:I3C:BCR:  
VALue, 2-1434
- SEARCH:SEARCH<x>:TRIGger:A:BUS:I3C:  
BCRTYPE:VALue, 2-1435
- SEARCH:SEARCH<x>:TRIGger:A:BUS:I3C:  
BPACKets, 2-1436
- SEARCH:SEARCH<x>:TRIGger:A:BUS:I3C:  
BRGTID:VALue, 2-1436
- SEARCH:SEARCH<x>:TRIGger:A:BUS:I3C:  
CCODE:VALue, 2-1437
- SEARCH:SEARCH<x>:TRIGger:A:BUS:I3C:  
CONDition, 2-1437
- SEARCH:SEARCH<x>:TRIGger:A:BUS:I3C:DATA:  
DIRection, 2-1438
- SEARCH:SEARCH<x>:TRIGger:A:BUS:I3C:DATA:  
SIZE, 2-1439
- SEARCH:SEARCH<x>:TRIGger:A:BUS:I3C:DATA:  
VALue, 2-1439
- SEARCH:SEARCH<x>:TRIGger:A:BUS:I3C:DCR:  
VALue, 2-1440
- SEARCH:SEARCH<x>:TRIGger:A:BUS:I3C:  
DCRTYPE:VALue, 2-1441
- SEARCH:SEARCH<x>:TRIGger:A:BUS:I3C:  
DWORD:VALue, 2-1441
- SEARCH:SEARCH<x>:TRIGger:A:BUS:I3C:  
ERRORTYPE, 2-1442

SEARCH:SEARCH<x>:TRIGger:A:BUS:I3C:  
EVENTBYTe:VALue, 2-1442

SEARCH:SEARCH<x>:TRIGger:A:BUS:I3C:  
FREQBYTe:VALue, 2-1443

SEARCH:SEARCH<x>:TRIGger:A:BUS:I3C:  
GSLsb:VALue, 2-1444

SEARCH:SEARCH<x>:TRIGger:A:BUS:I3C:  
GSMSb:VALue, 2-1444

SEARCH:SEARCH<x>:TRIGger:A:BUS:I3C:ID:  
VALue, 2-1445

SEARCH:SEARCH<x>:TRIGger:A:BUS:I3C:  
INACCBYTe:VALue, 2-1445

SEARCH:SEARCH<x>:TRIGger:A:BUS:I3C:  
MAXREAD:VALue, 2-1446

SEARCH:SEARCH<x>:TRIGger:A:BUS:I3C:  
MAXRTURN:VALue, 2-1446

SEARCH:SEARCH<x>:TRIGger:A:BUS:I3C:  
MAXWRITE:VALue, 2-1447

SEARCH:SEARCH<x>:TRIGger:A:BUS:I3C:  
PACKets, 2-1448

SEARCH:SEARCH<x>:TRIGger:A:BUS:I3C:  
SADdress:VALue, 2-1448

SEARCH:SEARCH<x>:TRIGger:A:BUS:I3C:SDR:  
BROADCASTPacket, 2-1449

SEARCH:SEARCH<x>:TRIGger:A:BUS:I3C:SDR:  
DIRECTPacket, 2-1450

SEARCH:SEARCH<x>:TRIGger:A:BUS:I3C:  
STATEBYTe:VALue, 2-1452

SEARCH:SEARCH<x>:TRIGger:A:BUS:I3C:  
STATic:ADDress, 2-1452

SEARCH:SEARCH<x>:TRIGger:A:BUS:I3C:  
SUPPORTBYTe:VALue, 2-1453

SEARCH:SEARCH<x>:TRIGger:A:BUS:I3C:  
TESTMODE:VALue, 2-1453

SEARCH:SEARCH<x>:TRIGger:A:BUS:LIN:  
CONDition, 2-1454

SEARCH:SEARCH<x>:TRIGger:A:BUS:LIN:DATA:  
HIVALue, 2-1455

SEARCH:SEARCH<x>:TRIGger:A:BUS:LIN:DATA:  
QUALifier, 2-1455

SEARCH:SEARCH<x>:TRIGger:A:BUS:LIN:DATA:  
SIZe, 2-1456

SEARCH:SEARCH<x>:TRIGger:A:BUS:LIN:DATA:  
VALue, 2-1457

SEARCH:SEARCH<x>:TRIGger:A:BUS:LIN:  
ERRTYPE, 2-1457

SEARCH:SEARCH<x>:TRIGger:A:BUS:LIN:  
IDentifier:VALue, 2-1458

SEARCH:SEARCH<x>:TRIGger:A:BUS:  
MANChester:CONDition, 2-1458

SEARCH:SEARCH<x>:TRIGger:A:BUS:  
MANChester:DATA:SIze, 2-1459

SEARCH:SEARCH<x>:TRIGger:A:BUS:  
MANChester:DATA:VALue, 2-1460

SEARCH:SEARCH<x>:TRIGger:A:BUS:  
MANChester:ERRor:TYPE, 2-1461

SEARCH:SEARCH<x>:TRIGger:A:BUS:  
MANChester:HEADER:VALue, 2-1461

SEARCH:SEARCH<x>:TRIGger:A:BUS:  
MANChester:packetOffData:VALue, 2-1462

SEARCH:SEARCH<x>:TRIGger:A:BUS:  
MANChester:SYNC:VALue, 2-1463

SEARCH:SEARCH<x>:TRIGger:A:BUS:  
MANChester:TRAILER:VALue, 2-1463

SEARCH:SEARCH<x>:TRIGger:A:BUS:MDIO:  
ADDress:VALue, 2-1464

SEARCH:SEARCH<x>:TRIGger:A:BUS:MDIO:  
CONDition, 2-1464

SEARCH:SEARCH<x>:TRIGger:A:BUS:MDIO:  
DATA:VALue, 2-1465

SEARCH:SEARCH<x>:TRIGger:A:BUS:MDIO:  
DEVicetype:VALue, 2-1466

SEARCH:SEARCH<x>:TRIGger:A:BUS:MDIO:  
ERRType, 2-1466

SEARCH:SEARCH<x>:TRIGger:A:BUS:MDIO:  
OPCode:VALue, 2-1467

SEARCH:SEARCH<x>:TRIGger:A:BUS:MDIO:  
PHYsicaladdress:VALue, 2-1468

SEARCH:SEARCH<x>:TRIGger:A:BUS:MDIO:  
REGisteraddress:VALue, 2-1468

SEARCH:SEARCH<x>:TRIGger:A:BUS:  
MIL1553B:COMMAND:ADDress:  
HIVALue, 2-1469

SEARCH:SEARCH<x>:TRIGger:A:BUS:  
MIL1553B:COMMAND:ADDress:  
QUALifier, 2-1469

SEARCH:SEARCH<x>:TRIGger:A:BUS:  
MIL1553B:COMMAND:ADDress:  
VALue, 2-1470

SEARCH:SEARCH<x>:TRIGger:A:BUS:  
MIL1553B:COMMAND:COUNt, 2-1471

SEARCH:SEARCH<x>:TRIGger:A:BUS:  
MIL1553B:COMMAND:PARity, 2-1471

- SEARCH:SEARCH<x>:TRIGger:A:BUS:  
MIL1553B:COMMAND:SUBADdress, 2-1472
- SEARCH:SEARCH<x>:TRIGger:A:BUS:  
MIL1553B:COMMAND:TRBit, 2-1473
- SEARCH:SEARCH<x>:TRIGger:A:BUS:  
MIL1553B:CONDition, 2-1473
- SEARCH:SEARCH<x>:TRIGger:A:BUS:  
MIL1553B:DATA:PARity, 2-1474
- SEARCH:SEARCH<x>:TRIGger:A:BUS:  
MIL1553B:DATA:VALue, 2-1475
- SEARCH:SEARCH<x>:TRIGger:A:BUS:  
MIL1553B:ERRTYPe, 2-1475
- SEARCH:SEARCH<x>:TRIGger:A:BUS:  
MIL1553B:STATus:ADDRess:HIVALue, 2-1476
- SEARCH:SEARCH<x>:TRIGger:A:BUS:  
MIL1553B:STATus:ADDRess:QUALifier, 2-1477
- SEARCH:SEARCH<x>:TRIGger:A:BUS:  
MIL1553B:STATus:ADDRess:VALue, 2-1477
- SEARCH:SEARCH<x>:TRIGger:A:BUS:  
MIL1553B:STATus:BIT:BCR, 2-1478
- SEARCH:SEARCH<x>:TRIGger:A:BUS:  
MIL1553B:STATus:BIT:BUSY, 2-1479
- SEARCH:SEARCH<x>:TRIGger:A:BUS:  
MIL1553B:STATus:BIT:DBCA, 2-1479
- SEARCH:SEARCH<x>:TRIGger:A:BUS:  
MIL1553B:STATus:BIT:INSTR, 2-1480
- SEARCH:SEARCH<x>:TRIGger:A:BUS:  
MIL1553B:STATus:BIT:ME, 2-1481
- SEARCH:SEARCH<x>:TRIGger:A:BUS:  
MIL1553B:STATus:BIT:SRQ, 2-1481
- SEARCH:SEARCH<x>:TRIGger:A:BUS:  
MIL1553B:STATus:BIT:SUBSF, 2-1482
- SEARCH:SEARCH<x>:TRIGger:A:BUS:  
MIL1553B:STATus:BIT:TF, 2-1483
- SEARCH:SEARCH<x>:TRIGger:A:BUS:  
MIL1553B:STATus:PARity, 2-1483
- SEARCH:SEARCH<x>:TRIGger:A:BUS:NFC:  
COMManD:CODE, 2-1484
- SEARCH:SEARCH<x>:TRIGger:A:BUS:NFC:  
CONDition, 2-1486
- SEARCH:SEARCH<x>:TRIGger:A:BUS:NFC:  
DATA:SIZE, 2-1488
- SEARCH:SEARCH<x>:TRIGger:A:BUS:NFC:  
DATA:VALue, 2-1488
- SEARCH:SEARCH<x>:TRIGger:A:BUS:NFC:  
ERRor:TYPe, 2-1489
- SEARCH:SEARCH<x>:TRIGger:A:BUS:NFC:  
PAYLOADBITS, 2-1489
- SEARCH:SEARCH<x>:TRIGger:A:BUS:NFC:  
RESPonse:CODE, 2-1490
- SEARCH:SEARCH<x>:TRIGger:A:BUS:NFC:  
TYPe, 2-1491
- SEARCH:SEARCH<x>:TRIGger:A:BUS:NFC:UID:  
VALue, 2-1492
- SEARCH:SEARCH<x>:TRIGger:A:BUS:NRZ:  
CONDition, 2-1492
- SEARCH:SEARCH<x>:TRIGger:A:BUS:NRZ:  
DATA:SIZE, 2-1493
- SEARCH:SEARCH<x>:TRIGger:A:BUS:NRZ:  
DATA:VALue, 2-1493
- SEARCH:SEARCH<x>:TRIGger:A:BUS:  
ONEWIRE:COMManD:VALue, 2-1494
- SEARCH:SEARCH<x>:TRIGger:A:BUS:  
ONEWIRE:CONDition, 2-1495
- SEARCH:SEARCH<x>:TRIGger:A:BUS:  
ONEWIRE:DATA:SIZE, 2-1496
- SEARCH:SEARCH<x>:TRIGger:A:BUS:  
ONEWIRE:DATA:VALue, 2-1496
- SEARCH:SEARCH<x>:TRIGger:A:  
BUS:ONEWIRE:MATCHROM:  
FAMILYCODE, 2-1497
- SEARCH:SEARCH<x>:TRIGger:A:  
BUS:ONEWIRE:MATCHROM:  
SERIALNUMBer, 2-1497
- SEARCH:SEARCH<x>:TRIGger:A:BUS:  
ONEWIRE:OVERDRIVE:FAMILYCODE, 2-1498
- SEARCH:SEARCH<x>:TRIGger:A:  
BUS:ONEWIRE:OVERDRIVE:  
SERIALNUMBer, 2-1499
- SEARCH:SEARCH<x>:TRIGger:A:BUS:  
ONEWIRE:READROM:FAMILYCODE, 2-1500
- SEARCH:SEARCH<x>:TRIGger:  
A:BUS:ONEWIRE:READROM:  
SERIALNUMBer, 2-1500
- SEARCH:SEARCH<x>:TRIGger:A:BUS:  
ONEWIRE:SEARCHROM:ROMCODE, 2-1501
- SEARCH:SEARCH<x>:TRIGger:A:BUS:PARallel:  
DATA:VALue, 2-1502
- SEARCH:SEARCH<x>:TRIGger:A:BUS:PSIFIVE:  
BLOCKDATA:VALue, 2-1502
- SEARCH:SEARCH<x>:TRIGger:A:BUS:PSIFIVE:  
CONDition, 2-1503

- SEARCH:SEARCH<x>:TRIGger:A:BUS:PSIFIVe:  
DATA:ECU:SENsOr:VALue, 2-1504
- SEARCH:SEARCH<x>:TRIGger:A:BUS:PSIFIVe:  
DATA:REGion:A:VALue, 2-1504
- SEARCH:SEARCH<x>:TRIGger:A:BUS:PSIFIVe:  
DATA:REGion:B:VALue, 2-1505
- SEARCH:SEARCH<x>:TRIGger:A:BUS:PSIFIVe:  
DATABITs, 2-1505
- SEARCH:SEARCH<x>:TRIGger:A:BUS:PSIFIVe:  
ERRORTYPE, 2-1506
- SEARCH:SEARCH<x>:TRIGger:A:BUS:PSIFIVe:  
FUNCTIONCODETYPE, 2-1507
- SEARCH:SEARCH<x>:TRIGger:A:BUS:PSIFIVe:  
REGister:ADDReSS:VALue, 2-1507
- SEARCH:SEARCH<x>:TRIGger:A:BUS:PSIFIVe:  
REGISTERADDReSS, 2-1508
- SEARCH:SEARCH<x>:TRIGger:A:BUS:PSIFIVe:  
SENsOr:ADDReSS:VALue, 2-1509
- SEARCH:SEARCH<x>:TRIGger:A:BUS:PSIFIVe:  
SENSORSTATus:TYPE, 2-1509
- SEARCH:SEARCH<x>:TRIGger:A:BUS:PSIFIVe:  
STATus:VALue, 2-1510
- SEARCH:SEARCH<x>:TRIGger:A:BUS:RS232C:  
CONDition, 2-1510
- SEARCH:SEARCH<x>:TRIGger:A:BUS:RS232C:  
DATA:SIZE, 2-1511
- SEARCH:SEARCH<x>:TRIGger:A:BUS:RS232C:  
DATA:VALue, 2-1512
- SEARCH:SEARCH<x>:TRIGger:A:BUS:S8B10B:  
CONDition, 2-1512
- SEARCH:SEARCH<x>:TRIGger:A:BUS:S8B10B:  
DISParity, 2-1513
- SEARCH:SEARCH<x>:TRIGger:A:BUS:S8B10B:  
ERRor, 2-1514
- SEARCH:SEARCH<x>:TRIGger:A:BUS:S8B10B:  
SYMbol:CSYMVALue, 2-1515
- SEARCH:SEARCH<x>:TRIGger:A:BUS:S8B10B:  
SYMbol:EBITVALue, 2-1515
- SEARCH:SEARCH<x>:TRIGger:A:BUS:S8B10B:  
SYMbol:MODE, 2-1516
- SEARCH:SEARCH<x>:TRIGger:A:BUS:S8B10B:  
SYMbol:TBITRDNeg, 2-1517
- SEARCH:SEARCH<x>:TRIGger:A:BUS:S8B10B:  
SYMbol:TBITRDPos, 2-1517
- SEARCH:SEARCH<x>:TRIGger:A:BUS:S8B10B:  
SYMbol:TBITVALue, 2-1518
- SEARCH:SEARCH<x>:TRIGger:A:BUS:S8B10B:  
SYMbol:TYPE, 2-1519
- SEARCH:SEARCH<x>:TRIGger:A:BUS:SDLC:  
ADDReSS:TYPE, 2-1520
- SEARCH:SEARCH<x>:TRIGger:A:BUS:SDLC:  
CONDition, 2-1520
- SEARCH:SEARCH<x>:TRIGger:A:BUS:SDLC:  
DATA:SIZE, 2-1521
- SEARCH:SEARCH<x>:TRIGger:A:BUS:SDLC:  
DATA:VALue, 2-1522
- SEARCH:SEARCH<x>:TRIGger:A:BUS:SDLC:  
ERROR:TYPE, 2-1522
- SEARCH:SEARCH<x>:TRIGger:A:BUS:SDLC:  
FRAME:TYPE, 2-1523
- SEARCH:SEARCH<x>:TRIGger:A:BUS:SDLC:  
STADDReSS:VALue, 2-1524
- SEARCH:SEARCH<x>:TRIGger:A:BUS:SDLC:  
SUPervisory:FRAMETYPE, 2-1524
- SEARCH:SEARCH<x>:TRIGger:A:BUS:SDLC:  
UNNumbered:FRAMETYPE, 2-1525
- SEARCH:SEARCH<x>:TRIGger:A:BUS:SENT:  
CONDition, 2-1526
- SEARCH:SEARCH<x>:TRIGger:A:BUS:SENT:  
ERRType, 2-1527
- SEARCH:SEARCH<x>:TRIGger:A:BUS:SENT:  
ERRType:CRC, 2-1527
- SEARCH:SEARCH<x>:TRIGger:A:BUS:SENT:  
FAST:CHAN1A:HIVALue, 2-1528
- SEARCH:SEARCH<x>:TRIGger:A:BUS:SENT:  
FAST:CHAN1A:QUALifier, 2-1529
- SEARCH:SEARCH<x>:TRIGger:A:BUS:SENT:  
FAST:CHAN1A:VALue, 2-1530
- SEARCH:SEARCH<x>:TRIGger:A:BUS:SENT:  
FAST:CHAN2B:HIVALue, 2-1530
- SEARCH:SEARCH<x>:TRIGger:A:BUS:SENT:  
FAST:CHAN2B:QUALifier, 2-1531
- SEARCH:SEARCH<x>:TRIGger:A:BUS:SENT:  
FAST:CHAN2B:VALue, 2-1532
- SEARCH:SEARCH<x>:TRIGger:A:BUS:SENT:  
FAST:COUNTER:HIVALue, 2-1533
- SEARCH:SEARCH<x>:TRIGger:A:BUS:SENT:  
FAST:COUNTER:QUALifier, 2-1534
- SEARCH:SEARCH<x>:TRIGger:A:BUS:SENT:  
FAST:COUNTER:VALue, 2-1535
- SEARCH:SEARCH<x>:TRIGger:A:BUS:SENT:  
FAST:INVERTNIBble:VALue, 2-1535

SEARCH:SEARCH<x>:TRIGger:A:BUS:SENT:  
FAST:STATus:VALue, 2-1536

SEARCH:SEARCH<x>:TRIGger:A:BUS:SENT:  
PAUSE:QUALifier, 2-1537

SEARCH:SEARCH<x>:TRIGger:A:BUS:SENT:  
PAUSE:TICKs:HIVALue, 2-1538

SEARCH:SEARCH<x>:TRIGger:A:BUS:SENT:  
PAUSE:TICKs:VALue, 2-1539

SEARCH:SEARCH<x>:TRIGger:A:BUS:SENT:  
SLOW:DATA:HIVALue, 2-1539

SEARCH:SEARCH<x>:TRIGger:A:BUS:SENT:  
SLOW:DATA:QUALifier, 2-1540

SEARCH:SEARCH<x>:TRIGger:A:BUS:SENT:  
SLOW:DATA:VALue, 2-1541

SEARCH:SEARCH<x>:TRIGger:A:BUS:SENT:  
SLOW:IDentifier:VALue, 2-1542

SEARCH:SEARCH<x>:TRIGger:A:BUS:SMBUS:  
ADDRess:VALue, 2-1542

SEARCH:SEARCH<x>:TRIGger:A:BUS:SMBUS:  
COMMand:VALue, 2-1543

SEARCH:SEARCH<x>:TRIGger:A:BUS:SMBUS:  
CONDition, 2-1543

SEARCH:SEARCH<x>:TRIGger:A:BUS:SMBUS:  
DATa:SIZE, 2-1544

SEARCH:SEARCH<x>:TRIGger:A:BUS:SMBUS:  
DATa:VALue, 2-1545

SEARCH:SEARCH<x>:TRIGger:A:BUS:SMBUS:  
DEVICEADDR:VALue, 2-1545

SEARCH:SEARCH<x>:TRIGger:A:BUS:SMBUS:  
ERRor:TYPE, 2-1546

SEARCH:SEARCH<x>:TRIGger:A:BUS:SMBUS:  
FIELDByTe, 2-1547

SEARCH:SEARCH<x>:TRIGger:A:BUS:SMBUS:  
UDIDDATa:VALue, 2-1547

SEARCH:SEARCH<x>:TRIGger:A:BUS:  
SOUrce, 2-1548

SEARCH:SEARCH<x>:TRIGger:A:BUS:  
SPACEWIRE:CONDition, 2-1548

SEARCH:SEARCH<x>:TRIGger:A:BUS:  
SPACEWIRE:CONTROLCHARTYPE, 2-1549

SEARCH:SEARCH<x>:TRIGger:A:BUS:  
SPACEWIRE:CONTROLCODETYPE, 2-1550

SEARCH:SEARCH<x>:TRIGger:A:BUS:  
SPACEWIRE:DATa:SIZE, 2-1551

SEARCH:SEARCH<x>:TRIGger:A:BUS:  
SPACEWIRE:DATa:VALue, 2-1551

SEARCH:SEARCH<x>:TRIGger:A:BUS:  
SPACEWIRE:ERRORTYPE, 2-1552

SEARCH:SEARCH<x>:TRIGger:A:BUS:  
SPACEWIRE:TIMECode:VALue, 2-1553

SEARCH:SEARCH<x>:TRIGger:A:BUS:SPI:  
CONDition, 2-1553

SEARCH:SEARCH<x>:TRIGger:A:BUS:SPI:DATa:  
SIZE, 2-1554

SEARCH:SEARCH<x>:TRIGger:A:BUS:SPI:DATa:  
VALue, 2-1555

SEARCH:SEARCH<x>:TRIGger:A:BUS:SPI:  
SOURCETYPE, 2-1555

SEARCH:SEARCH<x>:TRIGger:A:BUS:SPMI:  
CONDition, 2-1556

SEARCH:SEARCH<x>:TRIGger:A:BUS:SPMI:  
DATa:SIZE, 2-1557

SEARCH:SEARCH<x>:TRIGger:A:BUS:SPMI:  
DATa:VALue, 2-1558

SEARCH:SEARCH<x>:TRIGger:A:BUS:SPMI:  
MASTERADDRess:VALue, 2-1559

SEARCH:SEARCH<x>:TRIGger:A:BUS:SPMI:  
NORESPonse, 2-1559

SEARCH:SEARCH<x>:TRIGger:A:BUS:SPMI:  
REGISTERADDRess:VALue, 2-1560

SEARCH:SEARCH<x>:TRIGger:A:BUS:SPMI:  
SLAVEADDRess:VALue, 2-1561

SEARCH:SEARCH<x>:TRIGger:A:BUS:SVID:  
COMMand:RESPonse, 2-1561

SEARCH:SEARCH<x>:TRIGger:A:BUS:SVID:  
COMMand:TYPE, 2-1563

SEARCH:SEARCH<x>:TRIGger:A:BUS:SVID:  
CONDition, 2-1563

SEARCH:SEARCH<x>:TRIGger:A:BUS:SVID:  
ERRor:TYPE, 2-1564

SEARCH:SEARCH<x>:TRIGger:A:BUS:SVID:  
PAYLoad:TYPE, 2-1565

SEARCH:SEARCH<x>:TRIGger:A:BUS:SVID:  
PAYLoad:VALue, 2-1565

SEARCH:SEARCH<x>:TRIGger:A:BUS:SVID:  
SLAVE:ADDRESS, 2-1566

SEARCH:SEARCH<x>:TRIGger:A:BUS:USB:  
ADDRess:HIVALue, 2-1567

SEARCH:SEARCH<x>:TRIGger:A:BUS:USB:  
ADDRess:VALue, 2-1567

SEARCH:SEARCH<x>:TRIGger:A:BUS:USB:  
CHARacter, 2-1568



- SEARCH:SEARCH<x>:TRIGger:A:BUS:USB:  
COMpliance, 2-1569
- SEARCH:SEARCH<x>:TRIGger:A:BUS:USB:  
CONDition, 2-1570
- SEARCH:SEARCH<x>:TRIGger:A:BUS:USB:  
CRCTYPe, 2-1571
- SEARCH:SEARCH<x>:TRIGger:A:BUS:USB:  
CUSTom:CHARacters, 2-1571
- SEARCH:SEARCH<x>:TRIGger:A:BUS:USB:  
CUSTom:HEXVALue, 2-1572
- SEARCH:SEARCH<x>:TRIGger:A:BUS:USB:  
CUSTom:NUMSYMBOLs, 2-1573
- SEARCH:SEARCH<x>:TRIGger:A:BUS:USB:  
DATa:HIVALue, 2-1573
- SEARCH:SEARCH<x>:TRIGger:A:BUS:USB:  
DATa:OFFSet, 2-1574
- SEARCH:SEARCH<x>:TRIGger:A:BUS:USB:  
DATa:QUALifier, 2-1575
- SEARCH:SEARCH<x>:TRIGger:A:BUS:USB:  
DATa:SIZE, 2-1575
- SEARCH:SEARCH<x>:TRIGger:A:BUS:USB:  
DATa:TYPE, 2-1576
- SEARCH:SEARCH<x>:TRIGger:A:BUS:USB:  
DATa:VALue, 2-1577
- SEARCH:SEARCH<x>:TRIGger:A:BUS:USB:  
ENDPoint:VALue, 2-1577
- SEARCH:SEARCH<x>:TRIGger:A:BUS:USB:  
ERR8B10B:TYPE, 2-1578
- SEARCH:SEARCH<x>:TRIGger:A:BUS:USB:  
ERRTYPE, 2-1579
- SEARCH:SEARCH<x>:TRIGger:A:BUS:USB:  
HANDSHAKEType, 2-1579
- SEARCH:SEARCH<x>:TRIGger:A:BUS:USB:  
KEYPADTYPE, 2-1580
- SEARCH:SEARCH<x>:TRIGger:A:BUS:USB:  
ORDERed:SET, 2-1581
- SEARCH:SEARCH<x>:TRIGger:A:BUS:USB:  
PACKet:TYPEOFLMP, 2-1581
- SEARCH:SEARCH<x>:TRIGger:A:BUS:USB:  
PACKet:TYPEOFTP, 2-1582
- SEARCH:SEARCH<x>:TRIGger:A:BUS:USB:  
PACKETTYPE, 2-1583
- SEARCH:SEARCH<x>:TRIGger:A:BUS:USB:  
SOFFRAMENUMber, 2-1584
- SEARCH:SEARCH<x>:TRIGger:A:BUS:USB:  
SPECIALType, 2-1584
- SEARCH:SEARCH<x>:TRIGger:A:BUS:USB:  
SPLIT:ET:VALue, 2-1585
- SEARCH:SEARCH<x>:TRIGger:A:BUS:USB:  
SPLIT:HUB:VALue, 2-1586
- SEARCH:SEARCH<x>:TRIGger:A:BUS:USB:  
SPLIT:PORT:VALue, 2-1586
- SEARCH:SEARCH<x>:TRIGger:A:BUS:USB:  
SPLIT:SC:VALue, 2-1587
- SEARCH:SEARCH<x>:TRIGger:A:BUS:USB:  
SPLIT:SE:VALue, 2-1588
- SEARCH:SEARCH<x>:TRIGger:A:BUS:USB:  
TOKENType, 2-1589
- SEARCH:SEARCH<x>:TRIGger:A:DDRREAD:  
BURSTDETECTmethod, 2-1589
- SEARCH:SEARCH<x>:TRIGger:A:DDRREAD:  
BURSTLatency, 2-1590
- SEARCH:SEARCH<x>:TRIGger:A:DDRREAD:  
BURSTLENGTH, 2-1591
- SEARCH:SEARCH<x>:TRIGger:A:DDRREAD:  
CSActive, 2-1591
- SEARCH:SEARCH<x>:TRIGger:A:DDRREAD:  
CSLevel, 2-1592
- SEARCH:SEARCH<x>:TRIGger:A:DDRREAD:  
CSMode, 2-1593
- SEARCH:SEARCH<x>:TRIGger:A:DDRREAD:  
CSSource, 2-1594
- SEARCH:SEARCH<x>:TRIGger:A:DDRREAD:  
DATARate, 2-1595
- SEARCH:SEARCH<x>:TRIGger:A:DDRREAD:  
DATASource, 2-1596
- SEARCH:SEARCH<x>:TRIGger:A:DDRREAD:  
HYSTeresis, 2-1597
- SEARCH:SEARCH<x>:TRIGger:A:DDRREAD:  
LOGIC1SOURCE:SYMBOL, 2-1597
- SEARCH:SEARCH<x>:TRIGger:A:DDRREAD:  
LOGIC2SOURCE:SYMBOL, 2-1598
- SEARCH:SEARCH<x>:TRIGger:A:DDRREAD:  
LOGIC3SOURCE:SYMBOL, 2-1599
- SEARCH:SEARCH<x>:TRIGger:A:DDRREAD:  
LOGIC4SOURCE:SYMBOL, 2-1600
- SEARCH:SEARCH<x>:TRIGger:A:DDRREAD:  
MARGIN, 2-1600
- SEARCH:SEARCH<x>:TRIGger:A:DDRREAD:  
MAXCAS, 2-1601
- SEARCH:SEARCH<x>:TRIGger:A:DDRREAD:  
MINCAS, 2-1602

- SEARCH:SEARCH<x>:TRIGger:A:DDRREAD:  
POSTAMBLE:LENGth, 2-1603
- SEARCH:SEARCH<x>:TRIGger:A:DDRREAD:  
PREAMBLE:TYPE, 2-1603
- SEARCH:SEARCH<x>:TRIGger:A:DDRREAD:  
REFLevel:DATA:HIGh, 2-1604
- SEARCH:SEARCH<x>:TRIGger:A:DDRREAD:  
REFLevel:DATA:LOW, 2-1605
- SEARCH:SEARCH<x>:TRIGger:A:DDRREAD:  
REFLevel:DATA:MID, 2-1605
- SEARCH:SEARCH<x>:TRIGger:A:DDRREAD:  
REFLevel:STROBE:HIGh, 2-1606
- SEARCH:SEARCH<x>:TRIGger:A:DDRREAD:  
REFLevel:STROBE:LOW, 2-1607
- SEARCH:SEARCH<x>:TRIGger:A:DDRREAD:  
REFLevel:STROBE:MID, 2-1607
- SEARCH:SEARCH<x>:TRIGger:A:DDRREAD:  
REFLEVELMode, 2-1608
- SEARCH:SEARCH<x>:TRIGger:A:DDRREAD:  
STANdard, 2-1609
- SEARCH:SEARCH<x>:TRIGger:A:DDRREAD:  
STROBESource, 2-1609
- SEARCH:SEARCH<x>:TRIGger:A:DDRREAD:  
TOLERance, 2-1610
- SEARCH:SEARCH<x>:TRIGger:  
A:DDRREADWRITE:  
BURSTDETECTmethod, 2-1611
- SEARCH:SEARCH<x>:TRIGger:A:  
DDRREADWRITE:BURSTLatency, 2-1612
- SEARCH:SEARCH<x>:TRIGger:A:  
DDRREADWRITE:BURSTLENGTh, 2-1612
- SEARCH:SEARCH<x>:TRIGger:A:  
DDRREADWRITE:CSActive, 2-1613
- SEARCH:SEARCH<x>:TRIGger:A:  
DDRREADWRITE:CSLevel, 2-1614
- SEARCH:SEARCH<x>:TRIGger:A:  
DDRREADWRITE:CSMode, 2-1615
- SEARCH:SEARCH<x>:TRIGger:A:  
DDRREADWRITE:CSSource, 2-1615
- SEARCH:SEARCH<x>:TRIGger:A:  
DDRREADWRITE:DATARate, 2-1616
- SEARCH:SEARCH<x>:TRIGger:A:  
DDRREADWRITE:DATASource, 2-1617
- SEARCH:SEARCH<x>:TRIGger:A:  
DDRREADWRITE:HYSteresis, 2-1618
- SEARCH:SEARCH<x>:TRIGger:A:  
DDRREADWRITE:LOGIC1SOURCE:  
SYMBOL, 2-1619
- SEARCH:SEARCH<x>:TRIGger:A:  
DDRREADWRITE:LOGIC2SOURCE:  
SYMBOL, 2-1620
- SEARCH:SEARCH<x>:TRIGger:A:  
DDRREADWRITE:LOGIC3SOURCE:  
SYMBOL, 2-1621
- SEARCH:SEARCH<x>:TRIGger:A:  
DDRREADWRITE:LOGIC4SOURCE:  
SYMBOL, 2-1621
- SEARCH:SEARCH<x>:TRIGger:A:  
DDRREADWRITE:MARGin, 2-1622
- SEARCH:SEARCH<x>:TRIGger:A:  
DDRREADWRITE:MAXCAS, 2-1623
- SEARCH:SEARCH<x>:TRIGger:A:  
DDRREADWRITE:MINCas, 2-1624
- SEARCH:SEARCH<x>:TRIGger:A:  
DDRREADWRITE:POSTAMBLE:  
LENGth, 2-1624
- SEARCH:SEARCH<x>:TRIGger:A:  
DDRREADWRITE:PREAMBLE:TYPE, 2-1625
- SEARCH:SEARCH<x>:TRIGger:A:  
DDRREADWRITE:REFLevel:DATA:  
HIGh, 2-1626
- SEARCH:SEARCH<x>:TRIGger:A:  
DDRREADWRITE:REFLevel:DATA:  
LOW, 2-1626
- SEARCH:SEARCH<x>:TRIGger:A:  
DDRREADWRITE:REFLevel:DATA:  
MID, 2-1627
- SEARCH:SEARCH<x>:TRIGger:A:  
DDRREADWRITE:REFLevel:STROBE:  
HIGh, 2-1628
- SEARCH:SEARCH<x>:TRIGger:A:  
DDRREADWRITE:REFLevel:STROBE:  
LOW, 2-1629
- SEARCH:SEARCH<x>:TRIGger:A:  
DDRREADWRITE:REFLevel:STROBE:  
MID, 2-1629
- SEARCH:SEARCH<x>:TRIGger:A:  
DDRREADWRITE:REFLEVELMode, 2-1630
- SEARCH:SEARCH<x>:TRIGger:A:  
DDRREADWRITE:STANdard, 2-1631
- SEARCH:SEARCH<x>:TRIGger:A:  
DDRREADWRITE:STROBESource, 2-1631

SEARCH:SEARCH<x>:TRIGger:A:  
DDRREADWRITE:TOLERance, 2-1632  
SEARCH:SEARCH<x>:TRIGger:A:DDRWRITE:  
BURSTDETECTmethod, 2-1633  
SEARCH:SEARCH<x>:TRIGger:A:DDRWRITE:  
BURSTLatency, 2-1634  
SEARCH:SEARCH<x>:TRIGger:A:DDRWRITE:  
BURSTLENGTH, 2-1635  
SEARCH:SEARCH<x>:TRIGger:A:DDRWRITE:  
CSActive, 2-1635  
SEARCH:SEARCH<x>:TRIGger:A:DDRWRITE:  
CSLevel, 2-1636  
SEARCH:SEARCH<x>:TRIGger:A:DDRWRITE:  
CSMode, 2-1637  
SEARCH:SEARCH<x>:TRIGger:A:DDRWRITE:  
CSSource, 2-1638  
SEARCH:SEARCH<x>:TRIGger:A:DDRWRITE:  
DATARate, 2-1639  
SEARCH:SEARCH<x>:TRIGger:A:DDRWRITE:  
DATASource, 2-1640  
SEARCH:SEARCH<x>:TRIGger:A:DDRWRITE:  
HYSteresis, 2-1641  
SEARCH:SEARCH<x>:TRIGger:A:DDRWRITE:  
LOGIC1SOURCE:SYMBOL, 2-1641  
SEARCH:SEARCH<x>:TRIGger:A:DDRWRITE:  
LOGIC2SOURCE:SYMBOL, 2-1642  
SEARCH:SEARCH<x>:TRIGger:A:DDRWRITE:  
LOGIC3SOURCE:SYMBOL, 2-1643  
SEARCH:SEARCH<x>:TRIGger:A:DDRWRITE:  
LOGIC4SOURCE:SYMBOL, 2-1644  
SEARCH:SEARCH<x>:TRIGger:A:DDRWRITE:  
MARGin, 2-1644  
SEARCH:SEARCH<x>:TRIGger:A:DDRWRITE:  
MAXCAS, 2-1645  
SEARCH:SEARCH<x>:TRIGger:A:DDRWRITE:  
MINCas, 2-1646  
SEARCH:SEARCH<x>:TRIGger:A:DDRWRITE:  
POSTAMBLE:LENGTH, 2-1647  
SEARCH:SEARCH<x>:TRIGger:A:DDRWRITE:  
PREAMBLE:TYPE, 2-1647  
SEARCH:SEARCH<x>:TRIGger:A:DDRWRITE:  
REFLevel:DATA:HIGH, 2-1648  
SEARCH:SEARCH<x>:TRIGger:A:DDRWRITE:  
REFLevel:DATA:LOW, 2-1649  
SEARCH:SEARCH<x>:TRIGger:A:DDRWRITE:  
REFLevel:DATA:MID, 2-1649  
SEARCH:SEARCH<x>:TRIGger:A:DDRWRITE:  
REFLevel:STROBE:HIGH, 2-1650  
SEARCH:SEARCH<x>:TRIGger:A:DDRWRITE:  
REFLevel:STROBE:LOW, 2-1651  
SEARCH:SEARCH<x>:TRIGger:A:DDRWRITE:  
REFLevel:STROBE:MID, 2-1651  
SEARCH:SEARCH<x>:TRIGger:A:DDRWRITE:  
REFLEVELMode, 2-1652  
SEARCH:SEARCH<x>:TRIGger:A:DDRWRITE:  
STANDARD, 2-1653  
SEARCH:SEARCH<x>:TRIGger:A:DDRWRITE:  
STROBESource, 2-1653  
SEARCH:SEARCH<x>:TRIGger:A:DDRWRITE:  
TOLERance, 2-1654  
SEARCH:SEARCH<x>:TRIGger:A:EDGE:  
SLOPe, 2-1655  
SEARCH:SEARCH<x>:TRIGger:A:EDGE:  
SOURCE, 2-1656  
SEARCH:SEARCH<x>:TRIGger:A:EDGE:  
THRESHold, 2-1656  
SEARCH:SEARCH<x>:TRIGger:A:LOGIC:CLOCK:  
THRESHold, 2-1657  
SEARCH:SEARCH<x>:TRIGger:A:LOGIC:  
DELTAtime, 2-1657  
SEARCH:SEARCH<x>:TRIGger:A:LOGIC:  
FUNCTION, 2-1658  
SEARCH:SEARCH<x>:TRIGger:A:LOGIC:INPUT:  
CLOCK:SOURCE, 2-1658  
SEARCH:SEARCH<x>:TRIGger:A:LOGIC:LEVEL:  
CH<x>, 2-1659  
SEARCH:SEARCH<x>:TRIGger:A:LOGIC:LEVEL:  
MATH<x>, 2-1659  
SEARCH:SEARCH<x>:TRIGger:A:LOGIC:LEVEL:  
REF<x>, 2-1660  
SEARCH:SEARCH<x>:TRIGger:A:LOGIC:  
LOGICPattern:CH<x>, 2-1660  
SEARCH:SEARCH<x>:TRIGger:A:LOGIC:  
LOGICPattern:CH<x>\_D<x>, 2-1661  
SEARCH:SEARCH<x>:TRIGger:A:LOGIC:  
LOGICPattern:MATH<x>, 2-1662  
SEARCH:SEARCH<x>:TRIGger:A:LOGIC:  
LOGICPattern:REF<x>, 2-1662  
SEARCH:SEARCH<x>:TRIGger:A:LOGIC:  
POLarity, 2-1663  
SEARCH:SEARCH<x>:TRIGger:A:LOGIC:  
USEClockedge, 2-1663

- SEARCH:SEARCH<x>:TRIGger:A:LOGic:  
WHEn, 2-1664
- SEARCH:SEARCH<x>:TRIGger:A:PULSEWidth:  
HIGHLimit, 2-1665
- SEARCH:SEARCH<x>:TRIGger:A:PULSEWidth:  
LOGICQUALification, 2-1665
- SEARCH:SEARCH<x>:TRIGger:A:PULSEWidth:  
LOWLimit, 2-1666
- SEARCH:SEARCH<x>:TRIGger:A:PULSEWidth:  
POLarity, 2-1666
- SEARCH:SEARCH<x>:TRIGger:A:PULSEWidth:  
SOUrce, 2-1667
- SEARCH:SEARCH<x>:TRIGger:A:PULSEWidth:  
THReshold, 2-1667
- SEARCH:SEARCH<x>:TRIGger:A:PULSEWidth:  
WHEn, 2-1668
- SEARCH:SEARCH<x>:TRIGger:A:RUNT:  
LOGICQUALification, 2-1669
- SEARCH:SEARCH<x>:TRIGger:A:RUNT:  
POLarity, 2-1669
- SEARCH:SEARCH<x>:TRIGger:A:RUNT:  
SOUrce, 2-1670
- SEARCH:SEARCH<x>:TRIGger:A:RUNT:  
THReshold:HIGH, 2-1670
- SEARCH:SEARCH<x>:TRIGger:A:RUNT:  
THReshold:LOW, 2-1671
- SEARCH:SEARCH<x>:TRIGger:A:RUNT:  
WHEn, 2-1671
- SEARCH:SEARCH<x>:TRIGger:A:RUNT:  
WIDth, 2-1672
- SEARCH:SEARCH<x>:TRIGger:A:SETHold:  
CLOCK:EDGE, 2-1672
- SEARCH:SEARCH<x>:TRIGger:A:SETHold:  
CLOCK:SOUrce, 2-1673
- SEARCH:SEARCH<x>:TRIGger:A:SETHold:  
CLOCK:THReshold, 2-1674
- SEARCH:SEARCH<x>:TRIGger:A:SETHold:  
HOLDTime, 2-1674
- SEARCH:SEARCH<x>:TRIGger:A:SETHold:  
LEVel:CH<x>, 2-1675
- SEARCH:SEARCH<x>:TRIGger:A:SETHold:  
LEVel:MATH<x>, 2-1675
- SEARCH:SEARCH<x>:TRIGger:A:SETHold:  
LEVel:REF<x>, 2-1676
- SEARCH:SEARCH<x>:TRIGger:A:SETHold:  
LOGICPattern:CH<x>, 2-1676
- SEARCH:SEARCH<x>:TRIGger:A:SETHold:  
LOGICPattern:CH<x>\_D<x>, 2-1677
- SEARCH:SEARCH<x>:TRIGger:A:SETHold:  
LOGICPattern:MATH<x>, 2-1677
- SEARCH:SEARCH<x>:TRIGger:A:SETHold:  
LOGICPattern:REF<x>, 2-1678
- SEARCH:SEARCH<x>:TRIGger:A:SETHold:  
SETTime, 2-1679
- SEARCH:SEARCH<x>:TRIGger:A:STATE, 2-1679
- SEARCH:SEARCH<x>:TRIGger:A:  
STOPAcq, 2-1680
- SEARCH:SEARCH<x>:TRIGger:A:TIMEOut:  
LOGICQUALification, 2-1680
- SEARCH:SEARCH<x>:TRIGger:A:TIMEOut:  
POLarity, 2-1681
- SEARCH:SEARCH<x>:TRIGger:A:TIMEOut:  
SOUrce, 2-1681
- SEARCH:SEARCH<x>:TRIGger:A:TIMEOut:  
THReshold, 2-1682
- SEARCH:SEARCH<x>:TRIGger:A:TIMEOut:  
TIME, 2-1682
- SEARCH:SEARCH<x>:TRIGger:A:TRANSition:  
DELTATime, 2-1683
- SEARCH:SEARCH<x>:TRIGger:A:TRANSition:  
LOGICQUALification, 2-1683
- SEARCH:SEARCH<x>:TRIGger:A:TRANSition:  
POLarity, 2-1684
- SEARCH:SEARCH<x>:TRIGger:A:TRANSition:  
SOUrce, 2-1684
- SEARCH:SEARCH<x>:TRIGger:A:TRANSition:  
THReshold:HIGH, 2-1685
- SEARCH:SEARCH<x>:TRIGger:A:TRANSition:  
THReshold:LOW, 2-1686
- SEARCH:SEARCH<x>:TRIGger:A:TRANSition:  
WHEn, 2-1686
- SEARCH:SEARCH<x>:TRIGger:A:TYPE, 2-1687
- SEARCH:SEARCH<x>:TRIGger:A:WINDow:  
CROSSIng, 2-1688
- SEARCH:SEARCH<x>:TRIGger:A:WINDow:  
LOGICQUALification, 2-1689
- SEARCH:SEARCH<x>:TRIGger:A:WINDow:  
POLarity, 2-1690
- SEARCH:SEARCH<x>:TRIGger:A:WINDow:  
SOUrce, 2-1690
- SEARCH:SEARCH<x>:TRIGger:A:WINDow:  
THReshold:HIGH, 2-1691

SEARCH:SEARCH<x>:TRIGger:A:WINDow:  
 THReshold:LOW, 2-1692  
 SEARCH:SEARCH<x>:TRIGger:A:WINDow:  
 WHEn, 2-1692  
 SEARCH:SEARCH<x>:TRIGger:A:WINDow:  
 WIDth, 2-1693  
 SEARCH:SELEcted, 2-1693  
 SEARCHTABLE:ADDNew, 2-1694  
 SEARCHTABLE:DELEte, 2-1694  
 SEARCHTABLE:list?, 2-1694  
 SELEct:CH<x>, 2-1695  
 SET?, 2-1695  
 SOCKETServer:ENABle, 2-1696  
 SOCKETServer:PORT, 2-1697  
 SOCKETServer:PROTOCol, 2-1697  
 \*SRE, 2-1698  
 \*STB?, 2-1699  
 SV:CH<x>:RF\_AVErage:NUMAVg, 2-1699  
 SV:CH<x>:RF\_MAGnitude:FORMat, 2-1700  
 SV:CH<x>:RF\_PHASE:REFerence:DEGrees, 2-1701  
 SV:CH<x>:RF\_PHASE:REFerence:POSition, 2-1701  
 SV:CH<x>:RF\_PHASE:REFerence:TIME, 2-1702  
 SV:CH<x>:RF\_PHASE:WRAP:DEGrees, 2-1703  
 SV:CH<x>:RF\_PHASE:WRAP:STATE, 2-1703  
 SV:CH<x>:SELEct:RF\_AVErage, 2-1704  
 SV:CH<x>:SELEct:RF\_FREQuency, 2-1705  
 SV:CH<x>:SELEct:RF\_MAGnitude, 2-1705  
 SV:CH<x>:SELEct:RF\_MAXHold, 2-1706  
 SV:CH<x>:SELEct:RF\_MINHold, 2-1707  
 SV:CH<x>:SELEct:RF\_NORMal, 2-1707  
 SV:CH<x>:SELEct:RF\_PHASE, 2-1708  
 SV:CH<x>:SELEct:SPECTrogram, 2-1708  
 SV:CH<x>:SELTrace, 2-1709  
 SV:CH<x>:SQUELCH:STATE, 2-1710  
 SV:CH<x>:SQUELCH:THReshold, 2-1710  
 SV:CH<x>:UNIts, 2-1711  
 SV:LOCKCenter, 2-1712  
 SV:LOCKSpEctrum, 2-1713  
 SV:MARKER:PEAK:EXCURsion, 2-1713  
 SV:MARKER:PEAK:MAXimum, 2-1714  
 SV:MARKER:PEAK:STATE, 2-1715  
 SV:MARKER:PEAK:THReshold, 2-1715  
 SV:MARKER:PEAKS:AMPLITUDE?, 2-1716  
 SV:MARKER:PEAKS:FREQuency?, 2-1716  
 SV:MARKER:REFERence, 2-1717  
 SV:MARKER:REFERence:AMPLITUDE?, 2-1717  
 SV:MARKER:REFERence:FREQuency?, 2-1718

SV:MARKER:TYPE, 2-1718  
 SV:RBW, 2-1719  
 SV:RBWMode, 2-1719  
 SV:RF\_PHASE:REFerence:MASTer, 2-1720  
 SV:SPAN, 2-1720  
 SV:SPANRBWRatio, 2-1721  
 SV:SPECTrogram:CSCale:MAX, 2-1722  
 SV:SPECTrogram:CSCale:MIN, 2-1722  
 SV:SPECTrogram:CURSor:A, 2-1723  
 SV:SPECTrogram:CURSor:B, 2-1723  
 SV:WINDOW, 2-1724

## T

TEKSecure, 2-1725  
 TIME, 2-1725  
 TIME:ZONE, 2-1726  
 TIME:ZONE:UTCDELTA, 2-1726  
 TOTAluptime?, 2-1727  
 TOUCHSCReen:CALibrate, 2-1727  
 TOUCHSCReen:STATe, 2-1728  
 \*TRG, 2-1728  
 TRIGger, 2-1729  
 TRIGger: {A|B}:BUS:B<x>:ARINC429A:  
 CONDition, 2-1730  
 TRIGger: {A|B}:BUS:B<x>:ARINC429A:DATA:  
 HIVALue, 2-1730  
 TRIGger: {A|B}:BUS:B<x>:ARINC429A:DATA:  
 QUALifier, 2-1731  
 TRIGger: {A|B}:BUS:B<x>:ARINC429A:DATA:  
 VALue, 2-1732  
 TRIGger: {A|B}:BUS:B<x>:ARINC429A:  
 ERRType, 2-1733  
 TRIGger: {A|B}:BUS:B<x>:ARINC429A:LABel:  
 HIVALue, 2-1733  
 TRIGger: {A|B}:BUS:B<x>:ARINC429A:LABel:  
 QUALifier, 2-1734  
 TRIGger: {A|B}:BUS:B<x>:ARINC429A:LABel:  
 VALue, 2-1735  
 TRIGger: {A|B}:BUS:B<x>:ARINC429A:SDI:  
 VALue, 2-1735  
 TRIGger: {A|B}:BUS:B<x>:ARINC429A:SSM:  
 VALue, 2-1736  
 TRIGger: {A|B}:BUS:B<x>:AUDio:  
 CONDition, 2-1736  
 TRIGger: {A|B}:BUS:B<x>:AUDio:DATA:  
 HITDMVALue, 2-1737

- TRIGger: {A|B}:BUS:B<x>:AUDio:DATA:  
HIVALue, 2-1738
- TRIGger: {A|B}:BUS:B<x>:AUDio:DATA:  
OFFSet, 2-1738
- TRIGger: {A|B}:BUS:B<x>:AUDio:DATA:  
QUALifier, 2-1739
- TRIGger: {A|B}:BUS:B<x>:AUDio:DATA:  
TDMVALue, 2-1740
- TRIGger: {A|B}:BUS:B<x>:AUDio:DATA:  
VALue, 2-1740
- TRIGger: {A|B}:BUS:B<x>:AUDio:DATA:  
WORD, 2-1741
- TRIGger: {A|B}:BUS:B<x>:AUTOETHERnet:  
CONDition, 2-1741
- TRIGger: {A|B}:BUS:B<x>:AUTOETHERnet:  
ERRORTYPE, 2-1742
- TRIGger: {A|B}:BUS:B<x>:CAN:  
CONDition, 2-1743
- TRIGger: {A|B}:BUS:B<x>:CAN:DATA:  
DIRection, 2-1744
- TRIGger: {A|B}:BUS:B<x>:CAN:DATA:  
OFFSet, 2-1744
- TRIGger: {A|B}:BUS:B<x>:CAN:DATA:  
QUALifier, 2-1745
- TRIGger: {A|B}:BUS:B<x>:CAN:DATA:SIZE, 2-1746
- TRIGger: {A|B}:BUS:B<x>:CAN:DATA:  
VALue, 2-1747
- TRIGger: {A|B}:BUS:B<x>:CAN:ERRType, 2-1747
- TRIGger: {A|B}:BUS:B<x>:CAN:FD:  
BRsBit, 2-1748
- TRIGger: {A|B}:BUS:B<x>:CAN:FD:ESIBit, 2-1749
- TRIGger: {A|B}:BUS:B<x>:CAN:  
FRAMeType, 2-1749
- TRIGger: {A|B}:BUS:B<x>:CAN:IDentifier:  
MODE, 2-1750
- TRIGger: {A|B}:BUS:B<x>:CAN:IDentifier:  
VALue, 2-1751
- TRIGger: {A|B}:BUS:B<x>:ETHERnet:  
CONDition, 2-1751
- TRIGger: {A|B}:BUS:B<x>:ETHERnet:DATA:  
HIVALue, 2-1752
- TRIGger: {A|B}:BUS:B<x>:ETHERnet:DATA:  
OFFSet, 2-1753
- TRIGger: {A|B}:BUS:B<x>:ETHERnet:DATA:  
QUALifier, 2-1754
- TRIGger: {A|B}:BUS:B<x>:ETHERnet:DATA:  
SIZE, 2-1755
- TRIGger: {A|B}:BUS:B<x>:ETHERnet:DATA:  
VALue, 2-1755
- TRIGger: {A|B}:BUS:B<x>:ETHERnet:IPHeader:  
DESTinationaddr:VALue, 2-1756
- TRIGger: {A|B}:BUS:B<x>:ETHERnet:IPHeader:  
PROTOcol:VALue, 2-1757
- TRIGger: {A|B}:BUS:B<x>:ETHERnet:IPHeader:  
SOUrceaddr:VALue, 2-1758
- TRIGger: {A|B}:BUS:B<x>:ETHERnet:MAC:  
ADDRes:DESTination:VALue, 2-1759
- TRIGger: {A|B}:BUS:B<x>:ETHERnet:MAC:  
ADDRes:SOUrce:VALue, 2-1760
- TRIGger: {A|B}:BUS:B<x>:ETHERnet:MAC:  
LENGth:HIVALue, 2-1760
- TRIGger: {A|B}:BUS:B<x>:ETHERnet:MAC:  
LENGth:VALue, 2-1761
- TRIGger: {A|B}:BUS:B<x>:ETHERnet:QTAG:  
VALue, 2-1762
- TRIGger: {A|B}:BUS:B<x>:ETHERnet:TCPHeader:  
ACKnum:VALue, 2-1763
- TRIGger: {A|B}:BUS:B<x>:ETHERnet:TCPHeader:  
DESTinationport:VALue, 2-1764
- TRIGger: {A|B}:BUS:B<x>:ETHERnet:TCPHeader:  
SEQnum:VALue, 2-1764
- TRIGger: {A|B}:BUS:B<x>:ETHERnet:TCPHeader:  
SOUrceport:VALue, 2-1765
- TRIGger: {A|B}:BUS:B<x>:FLEXray:  
CONDition, 2-1766
- TRIGger: {A|B}:BUS:B<x>:FLEXray:CYCLEcount:  
HIVALue, 2-1767
- TRIGger: {A|B}:BUS:B<x>:FLEXray:CYCLEcount:  
QUALifier, 2-1768
- TRIGger: {A|B}:BUS:B<x>:FLEXray:CYCLEcount:  
VALue, 2-1768
- TRIGger: {A|B}:BUS:B<x>:FLEXray:DATA:  
HIVALue, 2-1769
- TRIGger: {A|B}:BUS:B<x>:FLEXray:DATA:  
OFFSet, 2-1770
- TRIGger: {A|B}:BUS:B<x>:FLEXray:DATA:  
QUALifier, 2-1770
- TRIGger: {A|B}:BUS:B<x>:FLEXray:DATA:  
SIZE, 2-1771
- TRIGger: {A|B}:BUS:B<x>:FLEXray:DATA:  
VALue, 2-1772
- TRIGger: {A|B}:BUS:B<x>:FLEXray:  
EOFTYPE, 2-1772

- TRIGger: {A|B}:BUS:B<x>:FLEXray:  
ERRTYpe, 2-1773
- TRIGger: {A|B}:BUS:B<x>:FLEXray:FRAMEID:  
HIVALue, 2-1774
- TRIGger: {A|B}:BUS:B<x>:FLEXray:FRAMEID:  
QUALifier, 2-1775
- TRIGger: {A|B}:BUS:B<x>:FLEXray:FRAMEID:  
VALue, 2-1775
- TRIGger: {A|B}:BUS:B<x>:FLEXray:  
FRAMEType, 2-1776
- TRIGger: {A|B}:BUS:B<x>:FLEXray:HEADER:  
CRC, 2-1777
- TRIGger: {A|B}:BUS:B<x>:FLEXray:HEADER:  
CYCLEcount, 2-1777
- TRIGger: {A|B}:BUS:B<x>:FLEXray:HEADER:  
FRAMEID, 2-1778
- TRIGger: {A|B}:BUS:B<x>:FLEXray:HEADER:  
INDBits, 2-1779
- TRIGger: {A|B}:BUS:B<x>:FLEXray:HEADER:  
PAYLength, 2-1779
- TRIGger: {A|B}:BUS:B<x>:I2C:ADDRess:  
MODE, 2-1780
- TRIGger: {A|B}:BUS:B<x>:I2C:ADDRess:  
VALue, 2-1780
- TRIGger: {A|B}:BUS:B<x>:I2C:CONDition, 2-1781
- TRIGger: {A|B}:BUS:B<x>:I2C:DATA:  
DIREction, 2-1782
- TRIGger: {A|B}:BUS:B<x>:I2C:DATA:SIZE, 2-1782
- TRIGger: {A|B}:BUS:B<x>:I2C:DATA:  
VALue, 2-1783
- TRIGger: {A|B}:BUS:B<x>:I3C:ADDRess:  
MODE, 2-1784
- TRIGger: {A|B}:BUS:B<x>:I3C:ADDRess:  
VALue, 2-1784
- TRIGger: {A|B}:BUS:B<x>:I3C:CONDition, 2-1785
- TRIGger: {A|B}:BUS:B<x>:I3C:DATA:  
DIREction, 2-1786
- TRIGger: {A|B}:BUS:B<x>:I3C:DATA:SIZE, 2-1786
- TRIGger: {A|B}:BUS:B<x>:I3C:DATA:  
VALue, 2-1787
- TRIGger: {A|B}:BUS:B<x>:I3C:  
ERRORTYPE, 2-1787
- TRIGger: {A|B}:BUS:B<x>:I3C:SDR:  
BROADCASTPacket, 2-1788
- TRIGger: {A|B}:BUS:B<x>:I3C:SDR:  
DIRECTPacket, 2-1789
- TRIGger: {A|B}:BUS:B<x>:I3C:TBIT:  
DIREction, 2-1791
- TRIGger: {A|B}:BUS:B<x>:LIN:CONDition, 2-1791
- TRIGger: {A|B}:BUS:B<x>:LIN:DATA:  
HIVALue, 2-1792
- TRIGger: {A|B}:BUS:B<x>:LIN:DATA:  
QUALifier, 2-1793
- TRIGger: {A|B}:BUS:B<x>:LIN:DATA:SIZE, 2-1793
- TRIGger: {A|B}:BUS:B<x>:LIN:DATA:  
VALue, 2-1794
- TRIGger: {A|B}:BUS:B<x>:LIN:ERRTYpe, 2-1794
- TRIGger: {A|B}:BUS:B<x>:LIN:IDentifier:  
VALue, 2-1795
- TRIGger: {A|B}:BUS:B<x>:MIL1553B:  
COMMAND:ADDRess:HIVALue, 2-1796
- TRIGger: {A|B}:BUS:B<x>:MIL1553B:  
COMMAND:ADDRess:QUALifier, 2-1796
- TRIGger: {A|B}:BUS:B<x>:MIL1553B:  
COMMAND:ADDRess:VALue, 2-1797
- TRIGger: {A|B}:BUS:B<x>:MIL1553B:  
COMMAND:COUNt, 2-1798
- TRIGger: {A|B}:BUS:B<x>:MIL1553B:  
COMMAND:PARity, 2-1798
- TRIGger: {A|B}:BUS:B<x>:MIL1553B:  
COMMAND:SUBADDRESS, 2-1799
- TRIGger: {A|B}:BUS:B<x>:MIL1553B:  
COMMAND:TRBit, 2-1800
- TRIGger: {A|B}:BUS:B<x>:MIL1553B:  
CONDition, 2-1800
- TRIGger: {A|B}:BUS:B<x>:MIL1553B:DATA:  
PARity, 2-1801
- TRIGger: {A|B}:BUS:B<x>:MIL1553B:DATA:  
VALue, 2-1802
- TRIGger: {A|B}:BUS:B<x>:MIL1553B:  
ERRTYpe, 2-1802
- TRIGger: {A|B}:BUS:B<x>:MIL1553B:STATus:  
ADDRess:HIVALue, 2-1803
- TRIGger: {A|B}:BUS:B<x>:MIL1553B:STATus:  
ADDRess:QUALifier, 2-1803
- TRIGger: {A|B}:BUS:B<x>:MIL1553B:STATus:  
ADDRess:VALue, 2-1804
- TRIGger: {A|B}:BUS:B<x>:MIL1553B:STATus:BIT:  
BCR, 2-1805
- TRIGger: {A|B}:BUS:B<x>:MIL1553B:STATus:BIT:  
BUSY, 2-1805
- TRIGger: {A|B}:BUS:B<x>:MIL1553B:STATus:BIT:  
DBCA, 2-1806

- TRIGger: {A|B}:BUS:B<x>:MIL1553B:STATus:BIT:  
INSTR, 2-1807
- TRIGger: {A|B}:BUS:B<x>:MIL1553B:STATus:BIT:  
ME, 2-1807
- TRIGger: {A|B}:BUS:B<x>:MIL1553B:STATus:BIT:  
SRQ, 2-1808
- TRIGger: {A|B}:BUS:B<x>:MIL1553B:STATus:BIT:  
SUBSF, 2-1809
- TRIGger: {A|B}:BUS:B<x>:MIL1553B:STATus:BIT:  
TF, 2-1809
- TRIGger: {A|B}:BUS:B<x>:MIL1553B:STATus:  
PARity, 2-1810
- TRIGger: {A|B}:BUS:B<x>:MIL1553B:TIME:  
LESSLimit, 2-1810
- TRIGger: {A|B}:BUS:B<x>:MIL1553B:TIME:  
MORELimit, 2-1811
- TRIGger: {A|B}:BUS:B<x>:MIL1553B:TIME:  
QUALifier, 2-1812
- TRIGger: {A|B}:BUS:B<x>:PARallel:DATA:  
VALue, 2-1812
- TRIGger: {A|B}:BUS:B<x>:RS232C:  
CONDition, 2-1813
- TRIGger: {A|B}:BUS:B<x>:RS232C:DATA:  
SIZE, 2-1814
- TRIGger: {A|B}:BUS:B<x>:RS232C:DATA:  
VALue, 2-1814
- TRIGger: {A|B}:BUS:B<x>:SENT:  
CONDition, 2-1815
- TRIGger: {A|B}:BUS:B<x>:SENT:ERRType, 2-1815
- TRIGger: {A|B}:BUS:B<x>:SENT:ERRType:  
CRC, 2-1816
- TRIGger: {A|B}:BUS:B<x>:SENT:FAST:CHAN1A:  
HIVALue, 2-1817
- TRIGger: {A|B}:BUS:B<x>:SENT:FAST:CHAN1A:  
QUALifier, 2-1817
- TRIGger: {A|B}:BUS:B<x>:SENT:FAST:CHAN1A:  
VALue, 2-1818
- TRIGger: {A|B}:BUS:B<x>:SENT:FAST:CHAN2B:  
HIVALue, 2-1819
- TRIGger: {A|B}:BUS:B<x>:SENT:FAST:CHAN2B:  
QUALifier, 2-1820
- TRIGger: {A|B}:BUS:B<x>:SENT:FAST:CHAN2B:  
VALue, 2-1821
- TRIGger: {A|B}:BUS:B<x>:SENT:FAST:COUNTER:  
HIVALue, 2-1821
- TRIGger: {A|B}:BUS:B<x>:SENT:FAST:COUNTER:  
QUALifier, 2-1822
- TRIGger: {A|B}:BUS:B<x>:SENT:FAST:COUNTER:  
VALue, 2-1823
- TRIGger: {A|B}:BUS:B<x>:SENT:FAST:  
INVERTNIBble:VALue, 2-1824
- TRIGger: {A|B}:BUS:B<x>:SENT:FAST:STATus:  
VALue, 2-1825
- TRIGger: {A|B}:BUS:B<x>:SENT:PAUSE:  
QUALifier, 2-1826
- TRIGger: {A|B}:BUS:B<x>:SENT:SLOW:DATA:  
HIVALue, 2-1827
- TRIGger: {A|B}:BUS:B<x>:SENT:SLOW:DATA:  
QUALifier, 2-1827
- TRIGger: {A|B}:BUS:B<x>:SENT:SLOW:DATA:  
VALue, 2-1828
- TRIGger: {A|B}:BUS:B<x>:SENT:SLOW:IDentifier:  
VALue, 2-1829
- TRIGger: {A|B}:BUS:B<x>:SPI:CONDition, 2-1829
- TRIGger: {A|B}:BUS:B<x>:SPI:DATA:SIZE, 2-1830
- TRIGger: {A|B}:BUS:B<x>:SPI:DATA:  
VALue, 2-1831
- TRIGger: {A|B}:BUS:B<x>:SPMI:  
CONDition, 2-1831
- TRIGger: {A|B}:BUS:B<x>:SPMI:DATA:  
SIZE, 2-1833
- TRIGger: {A|B}:BUS:B<x>:SPMI:DATA:  
VALue, 2-1833
- TRIGger: {A|B}:BUS:B<x>:SPMI:  
MASTERADDRess:VALue, 2-1834
- TRIGger: {A|B}:BUS:B<x>:SPMI:  
NORESPonse, 2-1835
- TRIGger: {A|B}:BUS:B<x>:SPMI:  
REGISTERADDRess:VALue, 2-1835
- TRIGger: {A|B}:BUS:B<x>:SPMI:SLAVEADDRess:  
VALue, 2-1836
- TRIGger: {A|B}:BUS:B<x>:SVID:COMMand:  
RESPonse, 2-1837
- TRIGger: {A|B}:BUS:B<x>:SVID:COMMand:  
TYPE, 2-1838
- TRIGger: {A|B}:BUS:B<x>:SVID:  
CONDition, 2-1839
- TRIGger: {A|B}:BUS:B<x>:SVID:ERRor:  
TYPE, 2-1839
- TRIGger: {A|B}:BUS:B<x>:SVID:PARity:  
TYPE, 2-1840
- TRIGger: {A|B}:BUS:B<x>:SVID:PAYLoad:  
TYPE, 2-1840



- TRIGger: {A|B}:BUS:B<x>:SVID:PAYLoad:  
VALue, 2-1841
- TRIGger: {A|B}:BUS:B<x>:SVID:SLAVE:  
ADDRess, 2-1842
- TRIGger: {A|B}:BUS:B<x>:USB:ADDRess:  
HIVALue, 2-1842
- TRIGger: {A|B}:BUS:B<x>:USB:ADDRess:  
VALue, 2-1843
- TRIGger: {A|B}:BUS:B<x>:USB:CONDition, 2-1843
- TRIGger: {A|B}:BUS:B<x>:USB:DATA:  
HIVALue, 2-1844
- TRIGger: {A|B}:BUS:B<x>:USB:DATA:  
OFFSet, 2-1845
- TRIGger: {A|B}:BUS:B<x>:USB:DATA:  
QUALifier, 2-1846
- TRIGger: {A|B}:BUS:B<x>:USB:DATA:SIZE, 2-1846
- TRIGger: {A|B}:BUS:B<x>:USB:DATA:  
TYPE, 2-1847
- TRIGger: {A|B}:BUS:B<x>:USB:DATA:  
VALue, 2-1848
- TRIGger: {A|B}:BUS:B<x>:USB:ENDPoint:  
VALue, 2-1848
- TRIGger: {A|B}:BUS:B<x>:USB:ERRType, 2-1849
- TRIGger: {A|B}:BUS:B<x>:USB:  
HANDSHAKEType, 2-1850
- TRIGger: {A|B}:BUS:B<x>:USB:  
SOFFRAMENUMber, 2-1850
- TRIGger: {A|B}:BUS:B<x>:USB:  
SPECIALType, 2-1851
- TRIGger: {A|B}:BUS:B<x>:USB:SPLit:ET:  
VALue, 2-1852
- TRIGger: {A|B}:BUS:B<x>:USB:SPLit:HUB:  
VALue, 2-1853
- TRIGger: {A|B}:BUS:B<x>:USB:SPLit:PORT:  
VALue, 2-1853
- TRIGger: {A|B}:BUS:B<x>:USB:SPLit:SC:  
VALue, 2-1854
- TRIGger: {A|B}:BUS:B<x>:USB:SPLit:SE:  
VALue, 2-1855
- TRIGger: {A|B}:BUS:B<x>:USB:  
TOKENType, 2-1856
- TRIGger: {A|B}:BUS:SOURce, 2-1856
- TRIGger: {A|B}:EDGE:COUPLing, 2-1857
- TRIGger: {A|B}:EDGE:SLOpe, 2-1858
- TRIGger: {A|B}:EDGE:SOURce, 2-1858
- TRIGger: {A|B}:LEVel:CH<x>, 2-1859
- TRIGger: {A|B}:LOGic:DELTatime, 2-1860
- TRIGger: {A|B}:LOGic:FUNCTion, 2-1860
- TRIGger: {A|B}:LOGic:INPut:CLOCK:  
SOURce, 2-1861
- TRIGger: {A|B}:LOGic:POLarity, 2-1861
- TRIGger: {A|B}:LOGic:USECLockedge, 2-1862
- TRIGger: {A|B}:LOGic:WHEn, 2-1862
- TRIGger: {A|B}:LOGICPattern:  
{CH<x>|CH<x>\_D<x>}, 2-1863
- TRIGger: {A|B}:LOWerthreshold:CH<x>, 2-1864
- TRIGger: {A|B}:PULSEWidth:HIGHLimit, 2-1864
- TRIGger: {A|B}:PULSEWidth:  
LOGICQUALification, 2-1865
- TRIGger: {A|B}:PULSEWidth:LOWLimit, 2-1865
- TRIGger: {A|B}:PULSEWidth:POLarity, 2-1866
- TRIGger: {A|B}:PULSEWidth:SOURce, 2-1866
- TRIGger: {A|B}:PULSEWidth:WHEn, 2-1867
- TRIGger: {A|B}:RUNT:  
LOGICQUALification, 2-1868
- TRIGger: {A|B}:RUNT:POLarity, 2-1868
- TRIGger: {A|B}:RUNT:SOURce, 2-1869
- TRIGger: {A|B}:RUNT:WHEn, 2-1870
- TRIGger: {A|B}:RUNT:WIDTh, 2-1870
- TRIGger: {A|B}:SETHold:CLOCK:EDGE, 2-1871
- TRIGger: {A|B}:SETHold:CLOCK:SOURce, 2-1871
- TRIGger: {A|B}:SETHold:HOLDTime, 2-1872
- TRIGger: {A|B}:SETHold:SETTime, 2-1872
- TRIGger: {A|B}:SETHOLDLogicval:  
{CH<x>|CH<x>\_D<x>}, 2-1873
- TRIGger: {A|B}:TIMEOut:  
LOGICQUALification, 2-1874
- TRIGger: {A|B}:TIMEOut:POLarity, 2-1874
- TRIGger: {A|B}:TIMEOut:SOURce, 2-1875
- TRIGger: {A|B}:TIMEOut:TIME, 2-1876
- TRIGger: {A|B}:TRANSition:DELTatime, 2-1876
- TRIGger: {A|B}:TRANSition:  
LOGICQUALification, 2-1877
- TRIGger: {A|B}:TRANSition:POLarity, 2-1877
- TRIGger: {A|B}:TRANSition:SOURce, 2-1878
- TRIGger: {A|B}:TRANSition:WHEn, 2-1878
- TRIGger: {A|B}:TYPE, 2-1879
- TRIGger: {A|B}:UPPerthreshold:CH<x>, 2-1880
- TRIGger: {A|B}:VIDeo:FIELD, 2-1880
- TRIGger: {A|B}:VIDeo:LINE, 2-1881
- TRIGger: {A|B}:VIDeo:POLarity, 2-1881
- TRIGger: {A|B}:VIDeo:SOURce, 2-1882
- TRIGger: {A|B}:VIDeo:STANdard, 2-1882
- TRIGger: {A|B}:WINdow:CROSSIng, 2-1883

TRIGger:{A|B}:WINDow:  
     LOGICQUALification, 2-1884  
 TRIGger:{A|B}:WINDow:SOURce, 2-1884  
 TRIGger:{A|B}:WINDow:WHEn, 2-1885  
 TRIGger:{A|B}:WINDow:WIDth, 2-1885  
 TRIGger:{A|B|B:RESET}, 2-1729  
 TRIGger:A:HOLDoff:BY, 2-1886  
 TRIGger:A:HOLDoff:TIME, 2-1887  
 TRIGger:A:LOGICQUALification, 2-1887  
 TRIGger:A:MODE, 2-1888  
 TRIGger:AUXLevel, 2-1888  
 TRIGger:B:BY, 2-1889  
 TRIGger:B:EVENTS:COUNT, 2-1889  
 TRIGger:B:RESET, 2-1890  
 TRIGger:B:RESET:EDGE:COUPling, 2-1890  
 TRIGger:B:RESET:EDGE:LEVel, 2-1891  
 TRIGger:B:RESET:EDGE:SLOpe, 2-1891  
 TRIGger:B:RESET:EDGE:SOURce, 2-1892  
 TRIGger:B:RESET:TIMEOut:TIME, 2-1892  
 TRIGger:B:RESET:TYPE, 2-1893  
 TRIGger:B:STATE, 2-1893  
 TRIGger:B:TIME, 2-1894  
 TRIGger:HYSteresis:USER:STATe, 2-1894  
 TRIGger:HYSteresis:USER:VALue, 2-1895  
 TRIGger:STATE?, 2-1896  
 TRIGger:STATUs?, 2-1896  
 \*TST?, 2-1897  
 TSTamptable:ADDNew , 2-1897  
 TSTamptable:DELETE , 2-1897  
 TSTamptable:LIST?, 2-1898

## U

UNDO, 2-1898  
 UNLock, 2-1898  
 USBDevice:CONFigure, 2-1899

## V

VERBose, 2-1900  
 VERTical:DESKew:FROM:  
     CUSTOMPROPAGation, 2-1901  
 VERTical:DESKew:FROM:SOURce, 2-1901  
 VERTical:DESKew:STATIC, 2-1902  
 VERTical:DESKew:TO:  
     CUSTOMPROPAGation, 2-1902  
 VERTical:DESKew:TO:SOURce, 2-1902  
 VISual:AREA<x>:ASPEctratio, 2-1903

VISual:AREA<x>:FLIP:HORIZontal, 2-1903  
 VISual:AREA<x>:FLIP:VERTical, 2-1904  
 VISual:AREA<x>:HEIGHt, 2-1904  
 VISual:AREA<x>:HITType, 2-1905  
 VISual:AREA<x>:RESET, 2-1905  
 VISual:AREA<x>:ROTation, 2-1906  
 VISual:AREA<x>:SHAPE, 2-1906  
 VISual:AREA<x>:SOURce, 2-1907  
 VISual:AREA<x>:VERTICES, 2-1907  
 VISual:AREA<x>:WIDTh, 2-1908  
 VISual:AREA<x>:XPOSITion, 2-1908  
 VISual:AREA<x>:YPOSITion, 2-1909  
 VISual:DELETEALL, 2-1909  
 VISual:ENable, 2-1910  
 VISual:EQUation, 2-1910  
 VISual:SHOWAREas, 2-1911  
 VISual:SHOWCRiteria, 2-1911  
 VISual:SHOWEQuation, 2-1912  
 VXI:ENable, 2-1912  
 VXI:PORT:HIGH, 2-1913  
 VXI:PORT:LOW, 2-1913

## W

\*WAI, 2-1914  
 WAVFrm?, 2-1914  
 WFMOutpre?, 2-1915  
 WFMOutpre:ASC\_Fmt?, 2-1915  
 WFMOutpre:BIT\_Nr, 2-1916  
 WFMOutpre:BN\_Fmt, 2-1917  
 WFMOutpre:BYT\_Nr, 2-1917  
 WFMOutpre:BYT\_Or, 2-1918  
 WFMOutpre:CENTERFREQuency?, 2-1919  
 WFMOutpre:DOMain?, 2-1919  
 WFMOutpre:ENCdg, 2-1920  
 WFMOutpre:NR\_Pt?, 2-1920  
 WFMOutpre:PT\_Fmt?, 2-1921  
 WFMOutpre:PT\_Off?, 2-1921  
 WFMOutpre:PT\_ORder?, 2-1922  
 WFMOutpre:RESample, 2-1923  
 WFMOutpre:SPAN?, 2-1923  
 WFMOutpre:WFId?, 2-1924  
 WFMOutpre:WFMTYPE?, 2-1925  
 WFMOutpre:XINcr?, 2-1926  
 WFMOutpre:XUNit?, 2-1926  
 WFMOutpre:XZEro?, 2-1927  
 WFMOutpre:YMUlt?, 2-1927  
 WFMOutpre:YOFf?, 2-1928

WFMOutpre:YUNit?, 2-1928

WFMOutpre:YZero?, 2-1929