



AWG70000 Series and AWGSYNC01 Rackmount Kit 016-2071-01

Installation



General Safety Summary

Review the following safety precautions to avoid injury and prevent damage to this product or any products connected to it.

To avoid potential hazards, use this product only as specified.

Only qualified personnel should perform service procedures.

While using this product, you may need to access other parts of a larger system. Read the safety sections of the other component manuals for warnings and cautions related to operating the system.

To Avoid Damage to Equipment and Personal Injury

Do Not Exceed Rackmount Weight Ratings. Use this rackmount kit only for AWG70000 series instruments and the AWGSYNC01 Synchronization Hub.

Use Proper Hardware. Do not interchange rack slides or rails with other hardware or injury may result. Use only rails specified for the slides and mounting screws.

Use Care When Installing and Removing Product From Rack. Use two people to install and remove product from rack, one on each side. Avoid pinching fingers and hands when installing and removing. Do not force the product into the rails when installing. Gently pull the product out when removing.

To prevent the instrument from tipping or dropping onto the installers, two or more people should install this instrument into the rack cabinet. After completing the installation procedure, the installers should verify that the instrument and rack cabinet will not tip forward when the instrument is in the extended position.

The instrument may need to be extended for access to the rear panel. Do not leave the instrument extended when finished accessing the rear panel.

Use Only With Specified Products. Do not use rackmount on products for which it was not intended. Refer to individual product manuals for details or contact Tektronix Customer Service when in doubt.

Kit Description

The rackmount kit is a collection of parts that, once installed, configures a Tektronix AWG70000 Series Arbitrary Waveform Generator or AWGSYNC01 Synchronization Hub, for mounting into a standard 19-inch equipment rack.

Installation Instructions

These instructions are for personnel who are familiar with servicing the product. If you need further details for disassembling or reassembling the product, refer to the appropriate product manual. Contact your nearest Tektronix Service Center or contact Tektronix Factory Service for installation assistance.

Equipment List

Use the following tools to install the kit hardware:

- Phillips #2 and #3 screwdrivers
- Torx T20 and T25 screwdrivers
- Flat-bladed screwdriver and measuring tape

Installation

Use the following procedure and refer to the illustration to assemble the rackmount hardware and install the instrument into the rack. (See Figure 1.)

1. Remove the two screws (item #10) from the side of each handle on the front of the instrument.
2. Install one rack ear over each handle on the instrument, using the same screws that you removed in step 1.
 - Item 11 for the AWG70000 Series.
 - Item 14 for the AWGSYNC01.
3. Remove the slides from the slide/rail assemblies (item #3): extend the slide until it locks, and then depress the spring-lock and pull out the slide.
4. Install a slide from one of the slide/rail assemblies on one side of the instrument using three 8–32 x 0.375 screws (item #8). Orient the spring-lock toward the rear of the instrument.
5. Repeat step 4 for the other side of the instrument.
6. Loosen the screws that attach the brackets to each of the rail assemblies, and then adjust the rails to barely cover the screw holes in the front brackets, as shown in the figure. Tighten the front bracket screws, but leave the rear bracket screws loose.
7. Determine where in the equipment rack to mount the bracket/rail assemblies:

- Ensure that there is room for adequate airflow on each side of the rack.
8. If you intend to install the instrument immediately above another instrument in the rack (with no clearance), first remove the feet from the bottom of the instrument.
 - AWG70000 Series: Use a flat-bladed screwdriver to pry out the 7/16"–deep plug that covers a hidden fastener, and then use a Torx T20 driver to remove the bottom feet.
 - AWGSYNC01: Use a Torx T20 driver to remove the bottom feet.
 9. Identify the right-side bracket/rail assembly by the stamped words on the brackets: FRONT on the top-left (item #5) and REAR (item #4) on the top-right, as shown in the figure.
 10. Using 4 screws (item #6), install the right-side bracket/rail assembly in the right-side of the equipment rack: First attach the front bracket to the front of the rack, and then adjust and mount the rear bracket to the rear mount in the equipment rack. Do not tighten the screws; leave them loose.
 11. Repeat step 10 for the left side of the rack.
 12. With both assemblies mounted in the equipment rack, tighten the screws that attach the rear brackets to each of the rail assemblies only; leave the eight bracket-to-rack screws (item #6) loose.
 13. Roll the ball-bearing sections of each rail assembly to the front of the rack.
 14. Align the instrument slides to the rails in the equipment rack, and then slide the instrument into the rack. This is easier if you have another person to help you lift the instrument or guide the slides.
 15. After the instrument reaches the spring locks, depress them and slide the instrument completely into the rack.
 16. Verify that the instrument slides easily on the rails, and then tighten the eight screws that secure the front and rear brackets to the rack.
 17. Attach the instrument to the rack with four 10–32 raised countersunk screws (item #13) and washers (item #12): two each on the left side and two each on the right side. Use spacers (item #9) on the upper screws, behind the rack ears, so that the top of the instrument mounts securely to the rack. (Spacers are only required for the AWG70000 series instruments.
 18. Connect the power cord and any other cables required for your application and verify that the equipment operates properly.



Kit Parts List

The following table lists the parts contained in this kit. Use the associated figure to identify the parts and to assemble the kit. (See Figure 1.)

Table 1: Rackmount kit parts list

Item no.	Qty.	Part number	Name and description
1-1	1	407-5596-xx	BRACKET, RACKMOUNT, LEFT FRONT
1-2	1	407-5597-xx	BRACKET, RACK MOUNT, LEFT REAR
1-3	2	351-1147-xx	ASSEMBLY, SLIDE AND RAIL
1-4	1	407-5599-xx	BRACKET, RACK MOUNT, RIGHT REAR
1-5	1	407-5598-xx	BRACKET, RACK MOUNT, RIGHT FRONT
1-6	8	212-0577-xx	SCREW, MACHINE; 10-32 X 0.625
1-7	1	-	PLASTIC BAG, HARDWARE
1-8	6	212-0070-xx	SCREW, MACHINE; 8-32 X 0.375
1-9	2	129-1748-xx	SPACER, RACK EAR
1-10	4	-	EXISTING HANDLE SCREWS, PREINSTALLED ON INSTRUMENT
1-11	2	407-5735-xx	BRACKET, RACK EAR, 3U (AWG70000 Series Arbitrary Waveform Generators)
1-12	4	210-0833-xx	WASHER, RECESSED; 0.42 ID X 0.588 OD
1-13	4	212-0591-xx	SCREW, RAISED COUNTERSUNK, 10-32 X 0.750
1-14	2	407-5736-xx	BRACKET, RACK EAR, 1U (AWGSYNC01 Sync Hub)

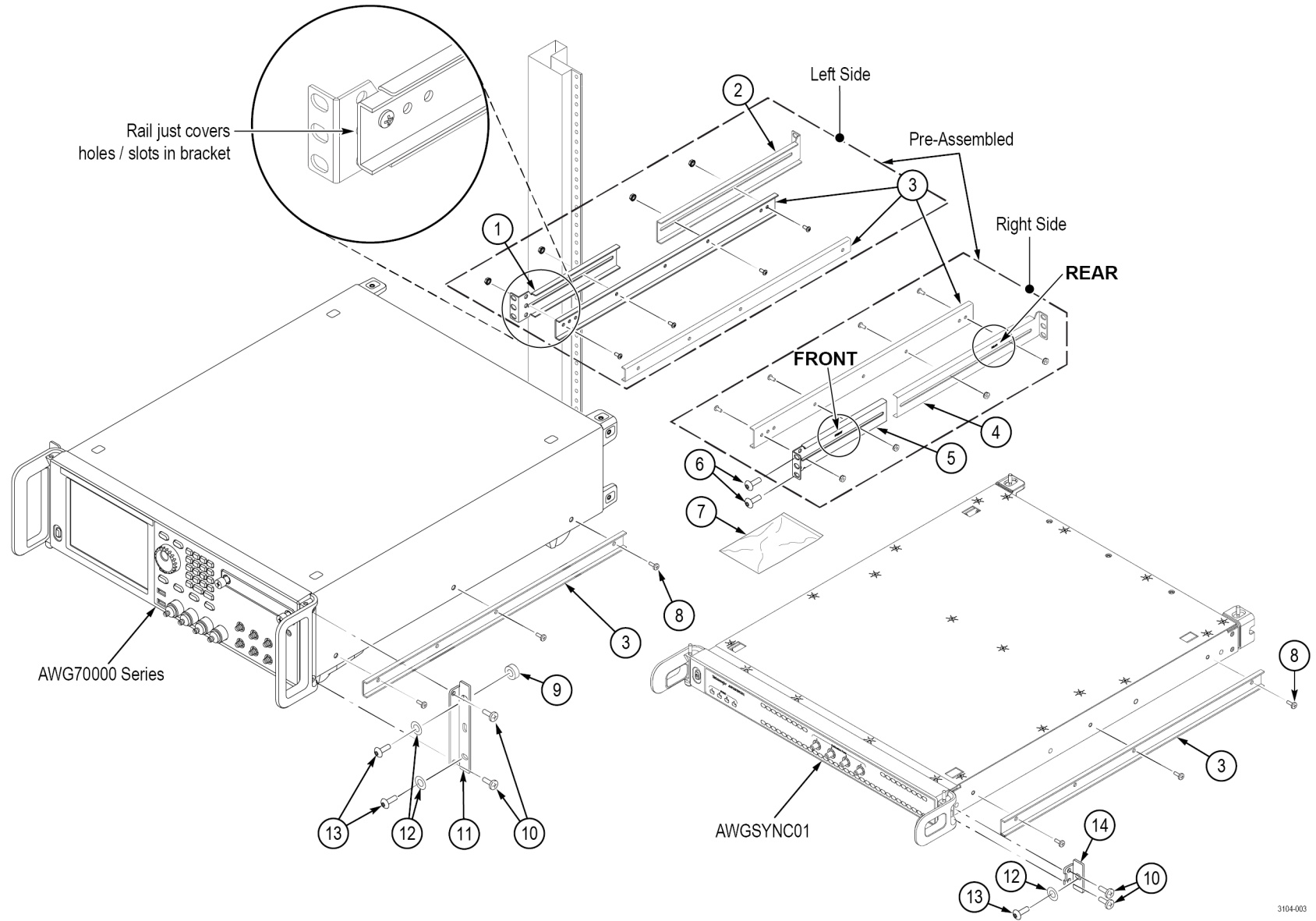


Figure 1: Rackmount kit parts

3104-003