



## GF-RACK3U Rackmount Kit Installation



### General Safety Summary

Review the following safety precautions to avoid injury and prevent damage to this product or any products connected to it.

To avoid potential hazards, use this product only as specified.

*Only qualified personnel should perform service procedures.*

While using this product, you may need to access other parts of a larger system. Read the safety sections of the other component manuals for warnings and cautions related to operating the system.

### To Avoid Damage to Equipment and Personal Injury

**Do Not Exceed Rackmount Weight Ratings.** Use this rackmount kit only for instruments listed.

**Use Proper Hardware.** Do not interchange rack slides or rails with other hardware or injury may result. Use only rails specified for the slides and mounting screws.

**Use Care When Installing and Removing Product From Rack.** Use two people to install and remove product from rack, one on each side. Avoid pinching fingers and hands when installing and removing. Do not force the product into the rails when installing. Gently pull the product out when removing.

To prevent the instrument from tipping or dropping onto the installers, two or more people should install this instrument into the rack cabinet. After completing the installation procedure, the installers should verify that the instrument and rack cabinet will not tip forward when the instrument is in the extended position.

The instrument may need to be extended for access to the rear panel. Do not leave the instrument extended when finished accessing the rear panel.

**Use Only With Specified Products.** Do not use rackmount on products for which it was not intended. Refer to individual product manuals for details or contact Tektronix Customer Service when in doubt.

### Kit Description

The rackmount kit is a collection of parts that, once installed, configures a Tektronix AWG5200 series generators for mounting into a standard 19-inch equipment rack.

### Equipment List

Use the following tools to install the kit hardware:

- Phillips #2 and #3 screwdrivers
- Torx T20 and T25 screwdrivers

### Installation Instructions

These instructions are for personnel who are familiar with servicing the product. If you need further details for disassembling or reassembling the product, refer to the appropriate product manual. Contact your nearest Tektronix Service Center or contact Tektronix Factory Service for installation assistance.

#### Step 1 – Prepare the generator

1. Remove the side handle from the generator by removing the four screws securing the handle to the generator.
2. If you intend to install the generator immediately above another instrument in the rack (with no clearance), remove the front and rear feet from the bottom of the generator using a Torx T20 driver.
3. Remove the front handles by removing the three screws used to secure each handle to the front of the generator. The screws and handles are reused during installation.

#### Step 2 – Attach rails

1. Place a rack-ear under each handle on the generator. Then, using the same screws that you removed in Step 1 – Prepare the generator, attach the rack-ears and handles to the generator on both sides.
2. Remove the slides from the slide/rail assemblies (item #5): extend the slide until it locks, then depress the spring-lock and pull out the slide.

Install a slide from one of the slide/rail assemblies on one side of the generator using three 8–32 x 0.375 screws (item #6). Orient the spring-lock toward the rear of the generator.

3. Repeat step for the other side of the generator.

#### Step 3 – Install into rack

1. Loosen the screws that attach the brackets to each of the rail assemblies, and then adjust the rails to barely cover the screw holes in the front brackets, as shown. Tighten the front bracket screws, but leave the rear bracket screws loose.
2. Determine where in the equipment rack to mount the bracket/rail assemblies:
  - Ensure room for adequate airflow on each side.

3. Identify the right-side bracket/rail assembly by the stamped words on the brackets: FRONT on the top-left (item #13) and REAR (item #12) on the top-right, as shown.
4. Using 4 screws (item #14), install the right-side bracket/rail assembly in the right-side of the equipment rack: First attach the front bracket to the front of the rack, and then adjust and mount the rear bracket to the rear mount in the equipment rack. Do not tighten the screws; leave them loose.

Repeat for the left side of the rack.

---

**NOTE.** A variety of hardware is provided in the bag of hardware. You may find appropriate screws for your rack. If not, you will need to provide the necessary hardware to mount the assembly to your rack.

---

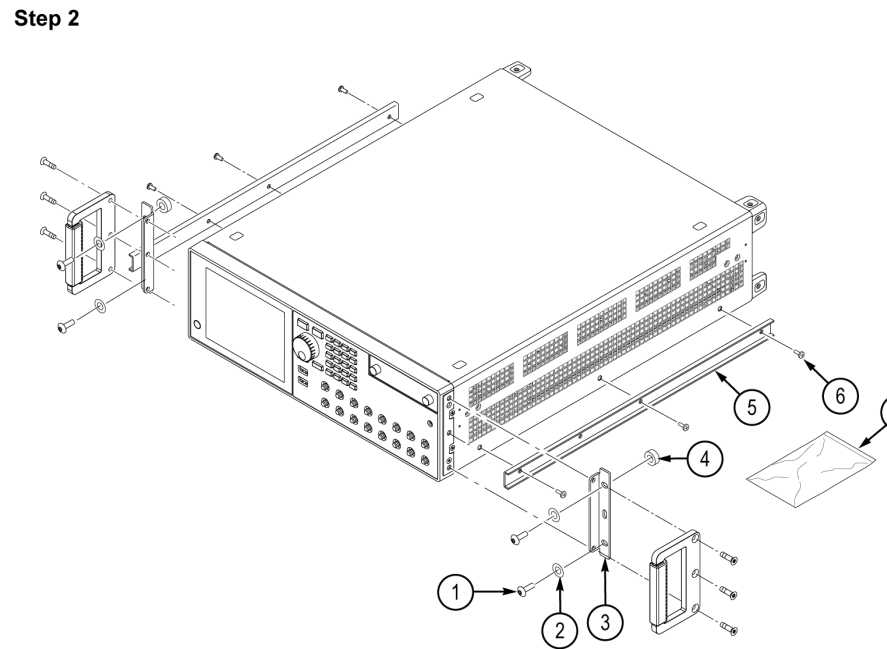
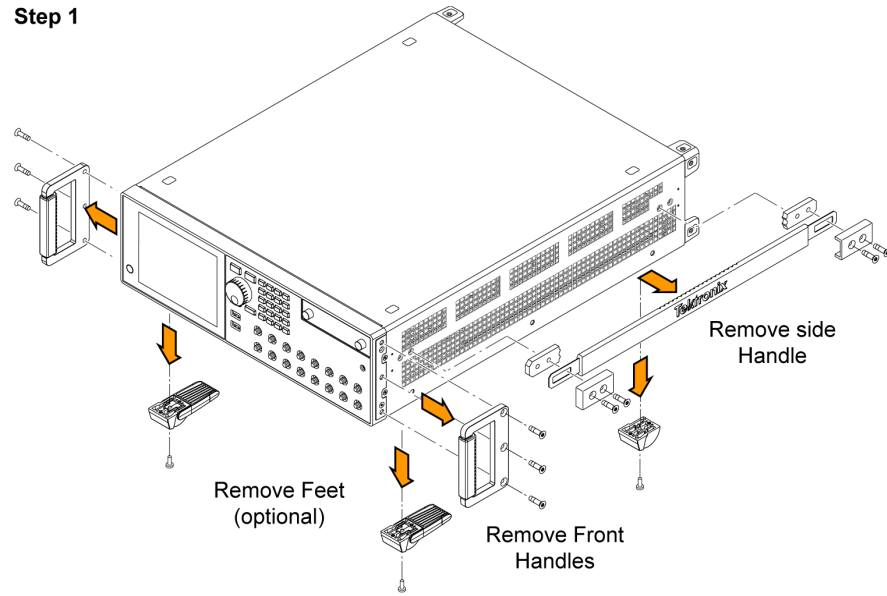
5. With both assemblies mounted in the equipment rack, tighten the screws that attach the rear brackets to each of the rail assemblies only; leave the eight bracket-to-rack screws (item #14) loose.
6. Roll the ball-bearing sections of each rail assembly to the front of the rack.
7. Align the generator slides to the rails in the equipment rack, and then slide the generator into the rack. This is easier if you have another person help you lift the generator or guide the slides.
8. After the generator reaches the spring locks, depress them and slide the generator completely into the rack.
9. Verify that the generator slides easily on the rails, and then tighten the eight screws (item #14) that secure the front and rear brackets to the rack.
10. Connect the power cord and any other cables required for your application and verify that the equipment operates properly.
11. Secure the generator to the rack. Use four 10–32 raised countersunk screws (item #1) and washers (item #2) to attach the generator to the rack. Use the two spacers (item #4) on the lower two screws. As shown in the Step 2 figure, the spacers (item #4) are placed behind the rack ears (between the rack ears and rack).

### Kit Parts List

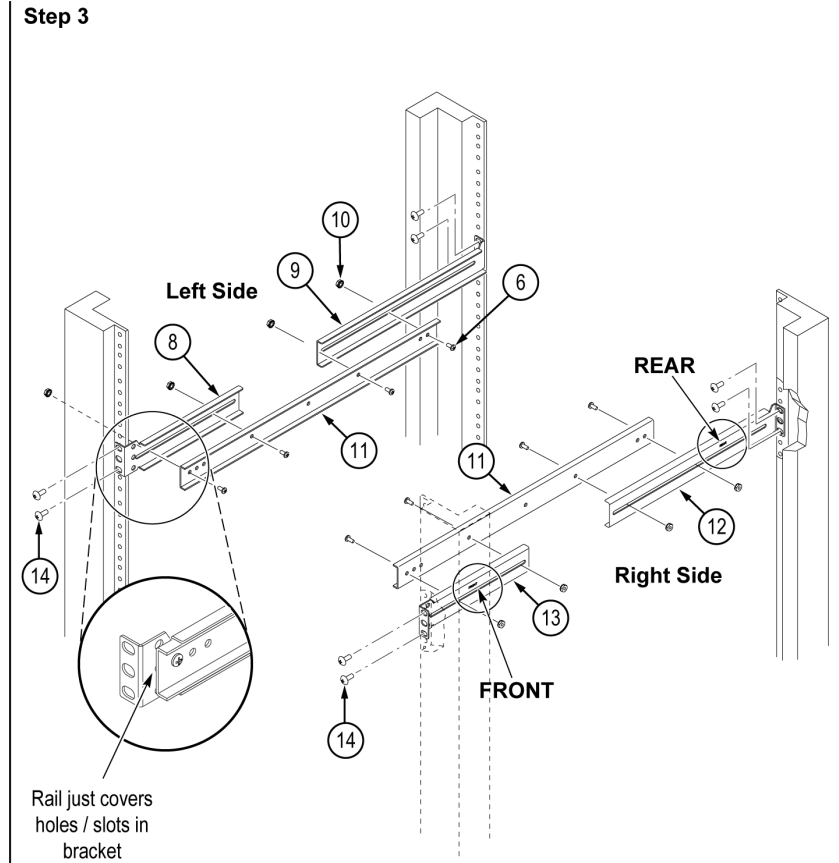
The following table lists the parts contained in this kit. Use the figure to identify the parts and to assemble the kit.

**Table 1: Rackmount kit parts list**

Item no.	Qty.	Part number	Name and description
1-1	4	212-0591-xx	SCREW, RAISED COUNTERSUNK, 10-32 X 0.750
1-2	4	210-0833-xx	WASHER, RECESSED; 0.42 ID X 0.588 OD
1-3	2	407-6045-xx	BRACKET, RACK EAR, 3U
1-4	2	129-1748-xx	SPACER, RACK EAR
1-5	2	351-1147-xx	ASSEMBLY, SLIDE AND RAIL
1-6	6	-	SCREW, MACHINE; 8-32 X 0.375
1-7	1	-	BAG, HARDWARE
1-8	1	407-5596-xx	BRACKET, RACKMOUNT, LEFT FRONT
1-9	1	407-5597-xx	BRACKET, RACK MOUNT, LEFT REAR
1-12	1	407-5599-xx	BRACKET, RACK MOUNT, RIGHT REAR
1-13	1	407-5598-xx	BRACKET, RACK MOUNT, RIGHT FRONT
1-14	8	212-0577-xx	SCREW, MACHINE; 10-32 X 0.625



**Rackmount parts**



3534-001