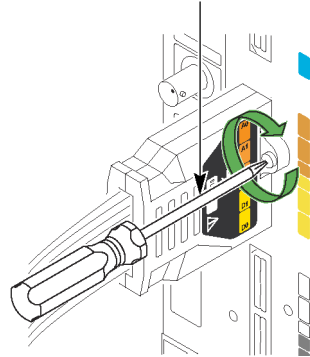
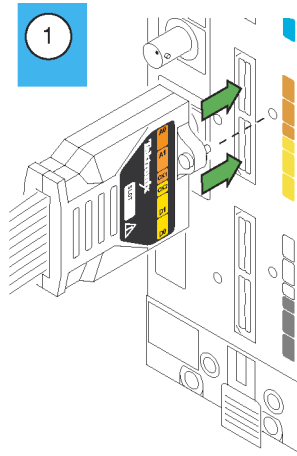


## P6960HCD & P6960HCD-LV Probe

### Instructions



### Labels

Use the illustrations on the back of this page to apply your labels to the probe connectors.

### Contacting Tektronix

Tektronix, Inc.

14200 SW Karl Braun Drive

PO Box 500

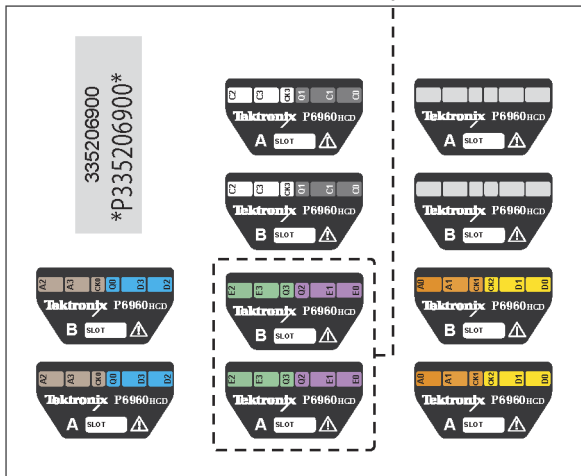
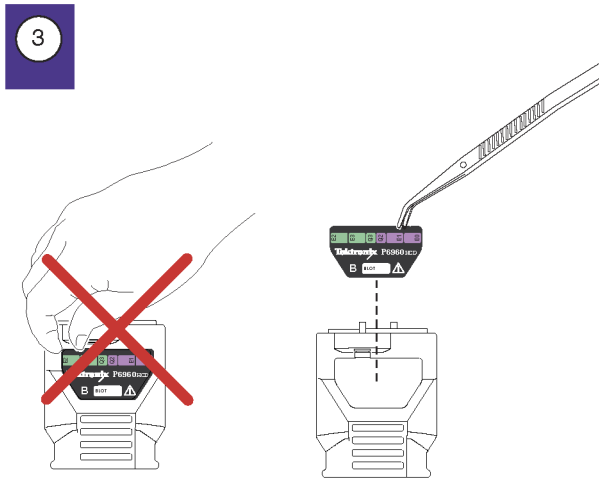
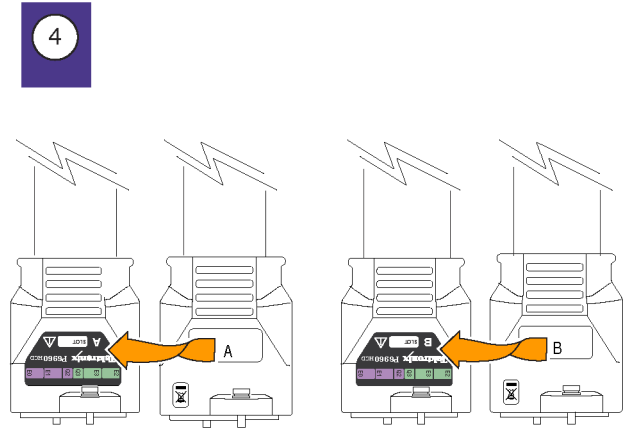
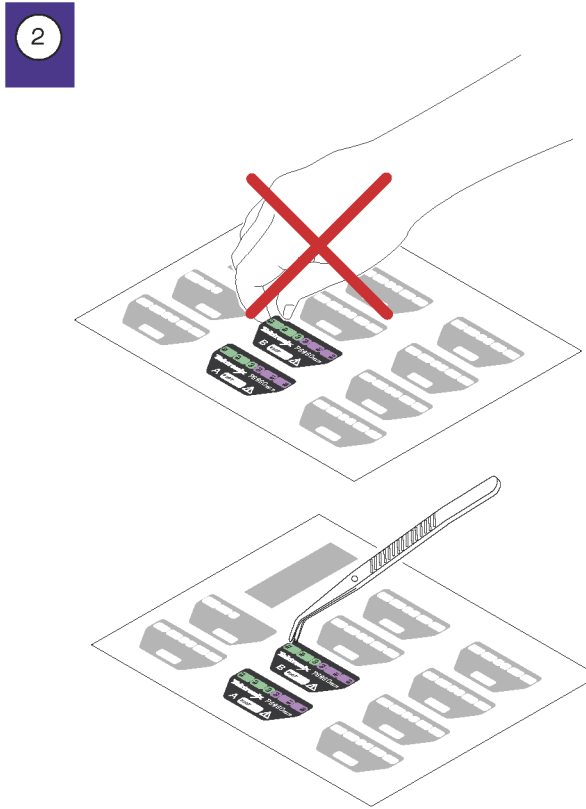
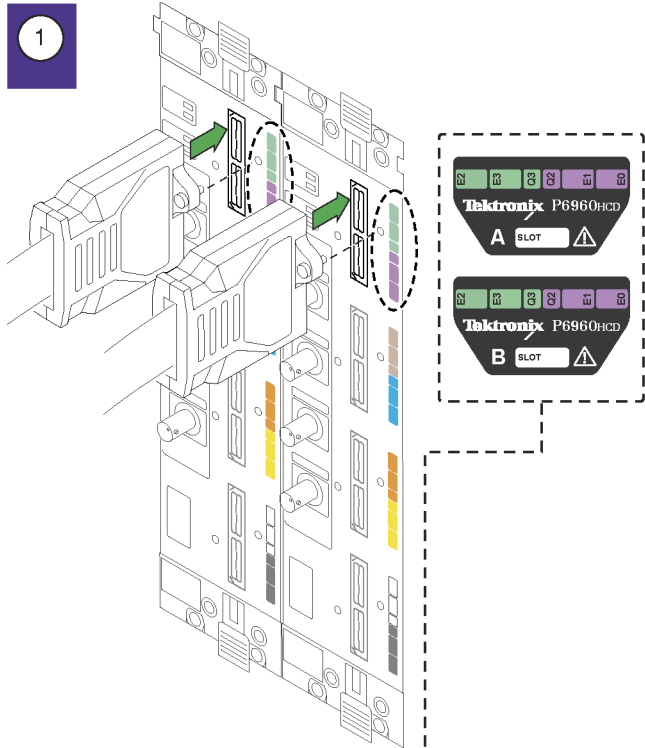
Beaverton, OR 97077

USA

For product information, sales, service, and technical support:

- In North America, call 1-800-833-9200.
- Worldwide, visit [www.tektronix.com](http://www.tektronix.com) to find contacts in your area





[www.tektronix.com/manuals](http://www.tektronix.com/manuals)  
Model P6960HCD