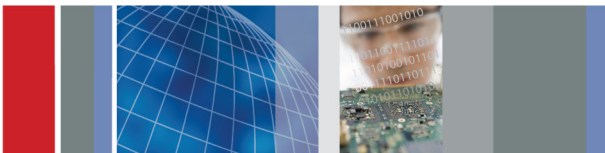


RSA306RACK RSA306 Rackmount Kit

Installation



General safety summary

Review the following safety precautions to avoid injury and prevent damage to this product or any products connected to it.

To avoid potential hazards, use this product only as specified.

Only qualified personnel should perform service procedures.

To avoid damage to equipment and personal injury

Do not exceed rackmount weight ratings. Use this rackmount kit only for RSA306 instruments.

Use proper hardware. Do not interchange hardware. Use only specified mounting screws.

Use care when installing and removing product from rack. Avoid pinching fingers and hands when installing and removing. Do not force the product when installing. Gently pull the product out when removing.

Use only with specified products. Do not use rackmount on products for which it was not intended. Refer to individual product manuals for details or contact Tektronix Customer Service when in doubt.

Contacting Tektronix

Tektronix, Inc.
14150 SW Karl Braun Drive
P.O. Box 500
Beaverton, OR 97077
USA

For product information, sales, service, and technical support:

In North America, call 1-800-833-9200.

Worldwide, visit www.tektronix.com to find contacts in your area.

Kit description

The rackmount kit is a collection of parts that, once installed, configures specific products, including Tektronix RSA306 Spectrum Analyzers, for mounting into a standard 19-inch equipment rack. You will need a Phillips #2 screwdriver to complete the installation.

Installation

The RSA306 rack frame comes completely assembled with the façade and closure plate in place. Use the following procedure and refer to the illustration to assemble the rackmount hardware and install the instrument into the rack. (See Figure 1.)

1. Attach the RSA306 rack frame (item 8) into your rack chassis using four 10-32 screws (item 5) and four finishing washers (item 6). If necessary, use four lock nuts (item 7) to secure the screws to the rack chassis.
2. Remove the closure plate and façade (items 3 & 4) by unscrewing the four thumb screws (item 1).
3. Insert the RSA306 instrument(s) into the rack frame.
4. Reinstall the façade (item 4).
 - a. If installing one instrument: Reinstall the façade (item 4) using two thumb screws (item 1) and washers (item 2), then reinstall the closure plate (item 3) using two thumb screws (item 1) and washers (item 2).
 - b. If installing two instruments: Reinstall the façade (item 4) using four thumb screws (item 1) and washers (item 2).



071-3327-02

Tektronix

Kit parts list

The following table lists the parts contained in this kit. Use the associated figure to identify the parts and to assemble the kit. (See Figure 1.)

Table 1: RSA306RACK Rackmount kit parts list

| Item no. | Qty. | Name and description |
|----------|------|---|
| 1-1 | 4 | THUMBSCREW, BRASS; 6-32 X 0.5 |
| 1-2 | 4 | INTERNAL-TOOTH LOCK WASHER; 6-32 |
| 1-3 | 1 | CLOSURE PLATE |
| 1-4 | 1 | RACK FACADE |
| 1-5 | 4 | RACKMOUNT SCREW, POZI-DRIVE, NICKEL PLATED STEEL; 10-32 X 0.75 |
| 1-6 | 4 | WASHER, FINISHING, NICKEL PLATED STEEL; 0.187 I.D. X 0.580 O.D. |
| 1-7 | 4 | NUT, LOCKING, ZINC PLATED STEEL; 10-32 X 0.375 |
| 1-8 | 1 | RACK FRAME ASSEMBLY |

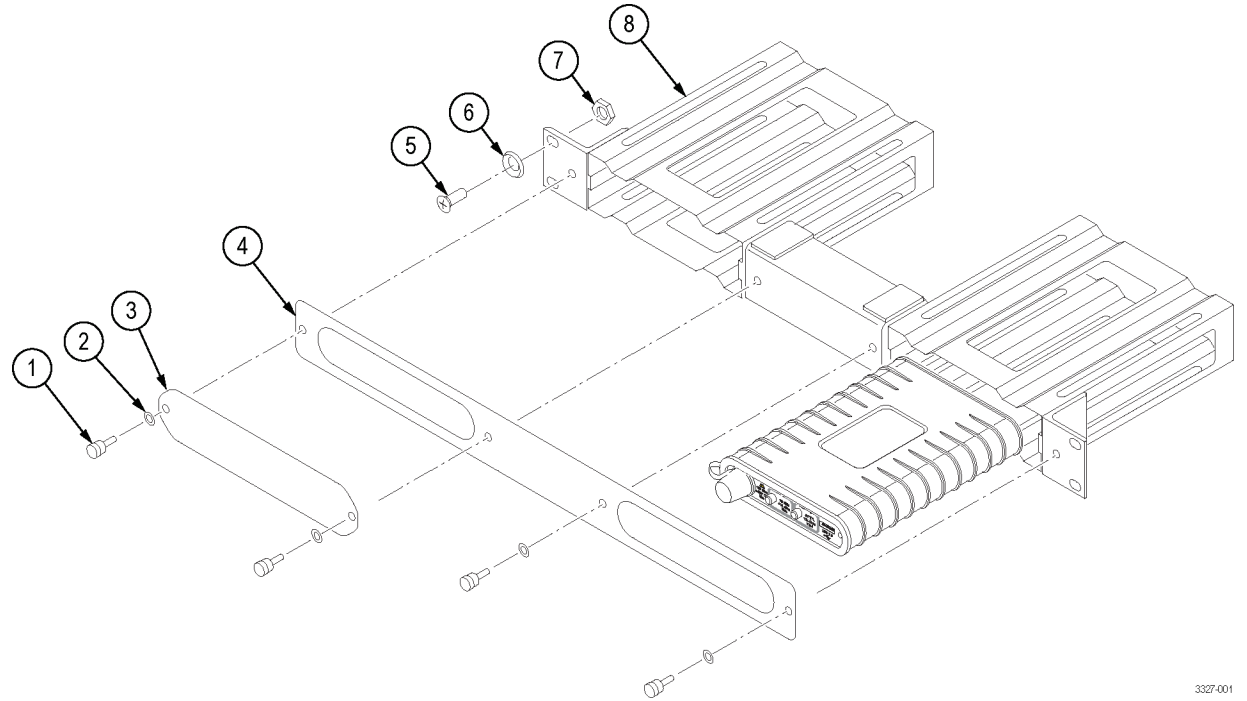


Figure 1: Rackmount kit assembly

3327-001