

**RSA306 USB Spectrum Analyzer
Specifications and
Performance Verification
(Version 1 (or above) RF Signal Path Gain Cal)
Technical Reference**



Revision A



077-1133-00

Tektronix

**RSA306 USB Spectrum Analyzer
Specifications and
Performance Verification
(Version 1 (or above) RF Signal Path Gain Cal)
Technical Reference**

Revision A

www.tektronix.com

077-1133-00

Tektronix

Copyright © Tektronix. All rights reserved. Licensed software products are owned by Tektronix or its subsidiaries or suppliers, and are protected by national copyright laws and international treaty provisions.

Tektronix products are covered by U.S. and foreign patents, issued and pending. Information in this publication supersedes that in all previously published material. Specifications and price change privileges reserved.

TEKTRONIX and TEK are registered trademarks of Tektronix, Inc.

SignalVu-PC is a trademark of Tektronix, Inc.

Contacting Tektronix

Tektronix, Inc.
14150 SW Karl Braun Drive
P.O. Box 500
Beaverton, OR 97077
USA

For product information, sales, service, and technical support:

- In North America, call 1-800-833-9200.
- Worldwide, visit www.tektronix.com to find contacts in your area.

Table of Contents

Important safety information	iii
General safety summary	iii
Service safety summary	iv
Terms in this manual	v
Terms and symbols on the product	v
Preface	vi
Documentation	vi
Determining RF signal path gain calibration version	vii
Specifications	1
Frequency	2
Amplitude	3
Trigger	4
Intermediate frequency and acquisition system	4
Noise and distortion	5
Real time	8
Interfaces, input, output ports	8
Power	8
Physical	8
Regulatory	9
Environmental performance	9
Performance verification	10
Prerequisites	10
Required equipment	11
Preliminary checks	12
Performance verification procedures	13
Internal reference frequency accuracy	13
External reference input, functional test	15
Amplitude accuracy at all center frequencies	16
Channel amplitude flatness	24
DANL (Displayed Average Noise Level)	29
Phase noise	31
Third-order intermodulation distortion	34
Input-related spurious response: ADC	36
Input-related spurious response: second converter images	39
Input-related spurious response: first converter images	41
Input-related spurious response: IF feedthrough	43
Input-related spurious response: RF X 2LO	45
Input-related spurious response: RF X 3LO	47
Input-related spurious response: Half-IF response	49
Input-related spurious response: signal 2RF X 2LO	52
Test record	54

Important safety information

This manual contains information and warnings that must be followed by the user for safe operation and to keep the product in a safe condition.

To safely perform service on this product, additional information is provided at the end of this section. (See page iv, *Service safety summary*.)

General safety summary

Use the product only as specified. Review the following safety precautions to avoid injury and prevent damage to this product or any products connected to it. Carefully read all instructions. Retain these instructions for future reference.

Comply with local and national safety codes.

For correct and safe operation of the product, it is essential that you follow generally accepted safety procedures in addition to the safety precautions specified in this manual.

The product is designed to be used by trained personnel only.

Only qualified personnel who are aware of the hazards involved should remove the cover for repair, maintenance, or adjustment.

This product is not intended for detection of hazardous voltages.

While using this product, you may need to access other parts of a larger system. Read the safety sections of the other component manuals for warnings and cautions related to operating the system.

When incorporating this equipment into a system, the safety of that system is the responsibility of the assembler of the system.

To avoid fire or personal injury

Connect and disconnect properly. Do not connect or disconnect probes or test leads while they are connected to a voltage source.

Use only insulated voltage probes, test leads, and adapters supplied with the product, or indicated by Tektronix to be suitable for the product.

Observe all terminal ratings. To avoid fire or shock hazard, observe all ratings and markings on the product. Consult the product manual for further ratings information before making connections to the product.

Do not apply a potential to any terminal, including the common terminal, that exceeds the maximum rating of that terminal.

The measuring terminals on this product are not rated for connection to mains or Category II, III, or IV circuits.

Do not operate without covers. Do not operate this product with covers or panels removed, or with the case open.

Avoid exposed circuitry. Do not touch exposed connections and components when power is present.

Do not operate with suspected failures. If you suspect that there is damage to this product, have it inspected by qualified service personnel.

Disable the product if it is damaged. Do not use the product if it is damaged or operates incorrectly. If in doubt about safety of the product, turn it off and disconnect the power. Clearly mark the product to prevent its further operation.

Examine the exterior of the product before you use it. Look for cracks or missing pieces.

Use only specified replacement parts.

Do not operate in wet/damp conditions. Be aware that condensation may occur if a unit is moved from a cold to a warm environment.

Do not operate in an explosive atmosphere.

Keep product surfaces clean and dry. Remove the input signals before you clean the product.

Provide proper ventilation. Refer to the installation instructions in the manual for details on installing the product so it has proper ventilation.

Provide a safe working environment. Avoid improper or prolonged use of keyboards, pointers, and button pads. Improper or prolonged keyboard or pointer use may result in serious injury.

Be sure your work area meets applicable ergonomic standards. Consult with an ergonomics professional to avoid stress injuries.

Use only the Tektronix rackmount hardware specified for this product.

Service safety summary

The *Service safety summary* section contains additional information required to safely perform service on the product. Only qualified personnel should perform service procedures. Read this *Service safety summary* and the *General safety summary* before performing any service procedures.

To avoid electric shock. Do not touch exposed connections.

Do not service alone. Do not perform internal service or adjustments of this product unless another person capable of rendering first aid and resuscitation is present.

Disconnect power. To avoid electric shock, disconnect the USB 3.0 cable from the instrument before removing any covers or panels, or opening the case for servicing.

Use care when servicing with power on. Disconnect power, remove battery (if applicable), and disconnect test leads before removing protective panels, soldering, or replacing components.

Terms in this manual

These terms may appear in this manual:



WARNING. *Warning statements identify conditions or practices that could result in injury or loss of life.*



CAUTION. *Caution statements identify conditions or practices that could result in damage to this product or other property.*

Terms and symbols on the product

These terms may appear on the product:

- DANGER indicates an injury hazard immediately accessible as you read the marking.
- WARNING indicates an injury hazard not immediately accessible as you read the marking.
- CAUTION indicates a hazard to property including the product.



When this symbol is marked on the product, be sure to consult the manual to find out the nature of the potential hazards and any actions which have to be taken to avoid them. (This symbol may also be used to refer the user to ratings in the manual.)

The following symbol(s) may appear on the product:



CAUTION
Refer to Manual

Preface

Verify the proper manual

This manual applies only to instruments calibrated with **Version 1 RF Signal Path Gain Cal.** or later. For instruments calibrated with Version 0 RF Signal Path Gain Cal, use the Specifications and Performance Verification manual Tektronix part number 077-1030-XX available on the Tektronix web site.

(See page vii, *Determining RF signal path gain calibration version.*)

The SignalVu-PC software version must be version 3.5.0134 or greater.

Purpose

This manual lists the electrical, mechanical, and environmental specifications, and the certification and compliance statements for the Tektronix RSA306 USB Spectrum Analyzer. Also provided are procedures for verifying the performance of the instrument.

Documentation

The following table lists some of the documentation that is available for this product.

Product documentation

Document	Purpose	Location
Installation and Safety Instructions	Provides software and hardware installation instructions and associated safety warnings	Printed manual and also available in electronic format on the product flash drive and at www.tektronix.com/manuals
Specifications and Performance Verification Technical Reference (this manual)	Specifications and performance verification procedures for checking instrument performance	Available at www.tektronix.com/manuals
SignalVu-PC application help	Using the application and interpreting the measurement results	Application help files located within the application
RSA306 API Programmer manual	Details on commands used to control the instrument through an API	Available at www.tektronix.com/manuals
SignalVu-PC Programmer manual	Details on commands used with the SignalVu-PC application	Available at www.tektronix.com/manuals

Determining RF signal path gain calibration version

This manual applies only to those instruments calibrated with **Version 1 RF Signal Path Gain Cal.** or later.

For instruments calibrated with Version 0 RF Signal Path Gain Cal., do not use this manual. Instead, use the Specifications and Performance Verification manual Tektronix part number 077-1030-XX available on the Tektronix web site.

Use the following table to determine the version that was used to calibrate your instrument.

RF signal path gain calibration versions

RSA306 serial numbers		Version 1 (or later) RF Signal Path Gain Cal.	Version 0 RF Signal Path Gain Cal.
B010794 and above		X	
B010472, B010715, B010777		X	
B010793 and below			
Has the instrument been recalibrated at a Tektronix service center?	Yes	X	
	No		X
	Unsure	See the secondary process to determine version	

Secondary process to determine version

If your instrument is Serial numbered B010793 or below, and you are unsure if your instrument has ever been recalibrated (from its original factory calibration), use the following methods to verify the version.

Preferred method. The preferred method requires SignalVu-PC software version 3.5.0119 or greater. Run SignalVu-PC and connect to the RSA306. In the SignalVu-PC application, select Help/About Tektronix Real Time Signal Analyzer. In the displayed window, scroll through the Hardware Information section to find the line that reads “RF signal path gain calibration constants Ver:”. If 0 is displayed, you have Version 0 RF Signal Path Gain Cal. and you cannot use this manual. If the number 1 (or greater) is displayed, you can use this manual.

Alternate method. The alternate method is based on using a version of SignalVu-PC software that is below 3.5.0119. Run an alignment (accessed from menu item Tools/Alignments). If there is no message saying “Data from uncalibrated instrument” in the lower left corner of the graticule, then the instrument has Version 0 RF Signal Path Gain Cal. and you cannot use this manual.

Specifications

NOTE. This manual applies only to instruments calibrated with **Version 1 RF Signal Path Gain Cal.** or later. For instruments calibrated with **Version 0 RF Signal Path Gain Cal.**, use the *Specifications and Performance Verification manual Tektronix part number 077-1030-XX* available on the Tektronix web site.

(See page vii, *Determining RF signal path gain calibration version.*)

The SignalVu-PC software version must be version 3.5.0134 or greater.

All specifications are guaranteed unless labeled Typical. Typical specifications are provided for your convenience.

NOTE. Warranted characteristics that are checked in the Performance Verification are marked with a ✓ symbol.

The performance limits in this specification are valid within the following conditions:

- The SignalVu-PC software version is 3.5.0134 or greater.
- The instrument was calibrated using Version 1 RF Signal Path Gain Cal. (See page vii, *Determining RF signal path gain calibration version.*)
- Operate the instrument in an environment that meets the temperature, altitude, and humidity characteristics listed in these specifications.
- The instrument must have been operating for a warm-up period of at least 30 minutes (after being connected to the PC, starting the SignalVu-PC application, and SignalVu-PC is connected to the RSA306 instrument and continuously acquiring data).

NOTE. The RSA306 does not fully power on until SignalVu-PC has established communication with the RSA306 and is acquiring data.

- The instrument must have had its signal-path-compensation routine last executed after at least a 30 minute warm-up period at an ambient temperature within ± 2 °C of the current ambient temperature.

Frequency

RF input frequency range	9 kHz to 6.2 GHz
Frequency reference accuracy	
Over 18 °C to 28 °C ambient temperature range✓	$\pm 3 \times 10^{-6}$ + aging (after 20 minute warm up)
Aging, typical	$\pm 3 \times 10^{-6}$ (first year), $\pm 1 \times 10^{-6}$ each year thereafter
Over operating temperature range (-10 °C to +55 °C ambient), typical	$\pm 25 \times 10^{-6}$ + aging
External frequency reference input	
Input Frequency Range	10 MHz \pm 10 Hz
Input Level Range	-10 dBm to +10 dBm sinusoid
Impedance	50 Ω
Center frequency resolution	
Block IQ samples	1 Hz
Streamed ADC samples	500 kHz

Amplitude

RF input impedance	50 Ω
RF input VSWR, typical	$\leq 1.8:1$ (10 MHz to 6200 MHz, reference level $\geq +10$ dBm) (Equivalent Return Loss: ≥ 11 dB)
Maximum RF input level without damage	The maximum voltage or power that the RF input can withstand without creating a shock hazard or damaging the input.
DC voltage	$\pm 40 V_{DC}$
Ref Level ≥ -10 dBm	+23 dBm (continuous or peak)
Ref Level < -10 dBm	+15 dBm (continuous or peak)
Maximum RF input operating level	The maximum level at the RF input for which the instrument will meet its measurement specifications.
Center frequency < 22 MHz	+15 dBm
Center frequency ≥ 22 MHz	+20 dBm
Amplitude accuracy at all center frequencies ✓	Reference level +20 dBm to -30 dBm, alignment run prior to testing Applies to corrected IQ data, with signal to noise ratios > 40 dB Accuracy may degrade up to ± 0.6 dB after storage at maximum storage temperature, recovers within 24 hours
Center frequency 9 kHz to < 3 GHz	± 2.0 dB (18 °C to 28 °C) ± 1.25 dB (18 °C to 28 °C), typical (95% confidence) ± 3.0 dB (-10 °C to 55 °C), typical
Center frequency ≥ 3 GHz to 6.2 GHz	± 2.75 dB (18 °C to 28 °C) ± 2.0 dB (18 °C to 28 °C), typical (95% confidence) ± 3.0 dB (-10 °C to 55 °C), typical
Channel amplitude flatness ✓	Reference level +20 dBm to -30 dBm, alignment run prior to testing Applies to corrected IQ data, with signal to noise ratios > 40 dB ± 1.0 dB (18 °C to 28 °C) ± 2.0 dB, (-10 °C to 55 °C), typical ± 3.0 dB, 22 MHz - 24 MHz, (-10 °C to 55 °C), typical

Trigger

Trigger/sync input	
Voltage range	TTL (0.0 V – 5.0 V)
Trigger level	Positive-going threshold voltage: 1.6 V minimum, 2.1 V maximum Negative-going threshold voltage: 1.0 V minimum, 1.35 V maximum
Impedance	10 k Ω (with Schottky clamps to 0 V, +5 V)
Power trigger	
	Trigger on RF power level transitions which cross the trigger level, for signals within the IF BW.
Threshold range	0 dB to –50 dB (from reference level, for trigger levels > 30 dB above the noise floor, 0.1 dB steps)
Type	Rising or falling edge
Trigger re-arm time	$\leq 100 \mu\text{s}$

Intermediate frequency and acquisition system

IF bandwidth	40 MHz
ADC sample rate and bit width	112 Ms/s, 14 bits Sample rate and bit-width of the Analog/Digital Converter used to digitize the IF signal
Real-time IF acquisition data (uncorrected)	112 Ms/s, 16-bit integer samples 40 MHz BW, at digital IF = 28 ± 0.25 MHz, uncorrected Block streaming data at an average rate of 224 MB/sec
Block baseband acquisition data (corrected)	
Maximum acquisition time	1 s
Bandwidths	$40 / (2^N)$ MHz, 0 Hz Digital IF, $N \geq 0$
Sample rates	$56 / (2^N)$ Ms/s, 32-bit float complex samples, $N \geq 0$

Noise and distortion

Displayed average noise level (DANL) ✓	Reference level = -50 dBm, input terminated with 50 Ω load, log-average (10 averages)					
	Center frequency	Frequency range	DANL (dBm/Hz), 18 °C to 28 °C ✓	DANL (dBm/Hz), -10 °C to 55 °C, typical		
	< 22 MHz (LF path)	100 kHz - 42 MHz	≤ -130	≤ -133		
	≥ 22 MHz (RF path)	2 MHz - 5 MHz	≤ -145	≤ -148		
		5 MHz - 1.0 GHz	≤ -160	≤ -163		
		1.0 GHz - 2.0 GHz	≤ -158	≤ -161		
		2.0 GHz - 4.0 GHz	≤ -155	≤ -158		
		4.0 GHz - 6.2 GHz	≤ -150	≤ -153		
Phase noise ✓	Phase Noise (dBc/Hz) measured with 1 GHz CW signal at 0 dBm					
	Offset:	Center frequency, dBc/Hz				
	1 GHz ✓	10 MHz (typical)	1 GHz (typical)	2.5 GHz (typical)	6 GHz (typical)	
	1 kHz	-85	-115	-89	-78	-70
	10 kHz	-84	-122	-87	-84	-83
	100 kHz	-90	-126	-93	-92	-94
	1 MHz	-118	-127	-120	-114	-108
Residual spurious response, typical	<p>< -85 dBm (Reference level ≤ -50 dBm, RF input terminated with 50 Ω)</p> <p>Exceptions: < -78 dBm:</p> <ul style="list-style-type: none"> For harmonics of 112 MHz at 1680 MHz – 2688 MHz LO related spurious in the ranges 3895 MHz – 3945 MHz, 4780 MHz – 4810 MHz, and 4920 MHz – 4950 MHz 					
Input related spurious response (SFDR) ✓	<p>Spurious responses due to the following mechanisms: Images (RFxLO1), RFx2*LO1, 2RFx2*LO1, RFx3*LO1, RFx5*LO1, RF to IF feed-through, IF2 Image</p> <p>≤ -50 dBc (18 °C to 28 °C, with auto settings on and signals 10 dB below reference level, reference level = -30 dBm, input frequencies ≤ 8 GHz, span ≤ 40 MHz)</p> <p>≤ -50 dBc, -10 °C to 55 °C, typical</p> <p>Exceptions:</p> <ul style="list-style-type: none"> ■ IF feedthrough: ≤ -45 dBc for 1850 MHz – 2700 MHz Center Frequency, typical ■ Image: ≤ -35 dBc for 3700 MHz – 3882 MHz Center Frequency, typical ≤ -35 dBc for 5400 MHz – 5700 MHz Center Frequency, typical ■ RFx3LO: ≤ -45 dBc for 4175 MHz – 4225 MHz Center Frequency, typical 					

Input frequencies 6.2 GHz – 8.0 GHz (typical)

- Image: ≤ -40 dBc for 3882 MHz – 4760 MHz Center Frequency, typical
- RFx2LO: ≤ -25 dBc for 4800 MHz – 5150 MHz Center Frequency, typical
 ≤ -40 dBc for 5150 MHz – 5800 MHz Center Frequency, typical

Spurious Response Definitions: For each center frequency setting, any on-screen spurious signals caused by RF input signals (blockers) mixing with local oscillators (LO1 or LO2) at a frequency determined by the hardware settings for the IF and LO1 frequency.

For a given center frequency setting, use the Frequency Tuning Table to determine the corresponding n and the IF and LO1 frequencies. (See Table 1 on page 7.) Use the formulas below to calculate the required input signal (blocker) frequency which will cause a spur at the center frequency.

Spur Type	Blocker Frequency (Source Frequency)
IF1 Image	$ f_{IF} + n \times f_{LO1} $
RF+2LO	$ f_{IF} + 2 \times f_{LO1} $
RF-2LO	$ f_{IF} - 2 \times f_{LO1} $
RF+3LO	$ f_{IF} + 3 \times f_{LO1} $
RF-3LO	$ f_{IF} - 3 \times f_{LO1} $
RF+5LO	$ f_{IF} + 5 \times f_{LO1} $
RF-5LO	$ f_{IF} - 5 \times f_{LO1} $
2RF+2LO	$\frac{ f_{IF} + 2 \times f_{LO1} }{2}$
2RF-2LO	$\frac{ f_{IF} - 2 \times f_{LO1} }{2}$
RF to IF Feedthrough	1190 MHz or 2440 MHz

Residual FM, typical	< 10 Hz _{p-p}
3RD order IM distortion ✓	<p>≤ -60 dBc at center frequency 2130 MHz, reference level = -15 dBm, 18 °C to 28 °C</p> <p>≤ -60 dBc at center frequency 2130 MHz, reference level = -15 dBm, -10 °C to 55 °C, typical</p> <p>≤ -60 dBc at center frequency 2130 MHz, reference level = -30 dBm, typical</p> <p>< -58 dBc, 40 MHz to 6.2 GHz, reference level = -10 dBm, typical</p> <p>< -50 dBc, 40 MHz to 6.2 GHz, reference level = -50 dBm, typical</p> <p>Two input CW signals, 1 MHz separation, each input signal level 5 dB below the reference level setting at the RF input</p>
3RD order intercept (TOI)	<p>≥ +10 dBm at center frequency 2130 MHz, reference level -15 dBm, 18 °C to 28 °C</p> <p>≥ +10 dBm at center frequency 2130 MHz, reference level -15 dBm, -10 °C to 55 °C, typical</p> <p>≥ -5 dBm at center frequency 2130 MHz, reference level -30 dBm, typical</p> <p>+14 dBm, 40 MHz to 6.2 GHz, reference level = -10 dBm, typical</p> <p>-30 dBm, 40 MHz to 6.2 GHz, reference level = -50 dBm, typical</p> <p>These are indirectly tested by the 3rd Order IM Distortion test</p>

2ND harmonic distortion, typical	<p>< -55 dBc, 10 MHz to 300 MHz, reference level = 0 dBm</p> <p>< -60 dBc, 300 MHz to 3.1 GHz, reference level = 0 dBm</p> <p>< -50 dBc, 10 MHz to 1850 MHz, and 2330 MHz to 3100 MHz, reference level = -40 dBm</p> <p>< -45 dBc , 1850 MHz to 2330 MHz, reference level = -40 dBm</p>
2ND harmonic distortion intercept (SHI), typical	<p>+55 dBm, 10 MHz to 300 MHz, reference level = 0 dBm</p> <p>+60 dBm, 300 MHz to 3.1 GHz, reference level = 0 dBm</p> <p>+10 dBm, 10 MHz to 1850 MHz, and 2330 MHz to 3100 MHz, reference level = -40 dBm</p> <p>+5 dBm, 1850 MHz to 2330 MHz, reference level = -40 dBm</p>
Local oscillator feedthrough to input connector, typical	<p>< -75 dBm</p> <p>Reference level = -30 dBm</p>

Table 1: Frequency Tuning Table, RF Signal Path gain cal version 1 or greater, software REV. 3.5.0134 or greater

Sub-band	Pre-Selector Filter	Center Freq. Min. (MHz)	Center Freq. Max (MHz)	LO1 Min (MHz)	LO1 Max (MHz)	IF1 (MHz)	LO1 High /Low Side	m (RF)	n (LO)	LO2 (MHz)
0	LF	0.009	22	None	None	DC	1	1	1	None
1	1	22	700	2462	3140	2440	1	-1	1	2300
2	2	700	1850	3140	4290	2440	1	-1	1	2300
3	3	1850	2700	3040	3890	1190	1	-1	1	1050
4	4	2700	3100	3890	4290	1190	1	-1	1	1050
5	4	3100	3700	4290	4890	1190	1	-1	1	1050
6	5	3700	4175	4890	5365	1190	1	-1	1	1050
7	5	4175	4225	1735	1785	2440	-1	1	-1	2300
8	5	4225	4750	5415	5940	1190	1	-1	1	1050
9	5	4750	4960	3560	3770	1190	-1	1	-1	1050
10	6	4960	5100	3770	3910	1190	-1	1	-1	1050
11	6	5100	5695	3910	4505	1190	-1	1	-1	1050
12	6	5695	5700	4505	4510	1190	-1	1	-1	1050
13	7	5700	5900	4510	4710	1190	-1	1	-1	1050
14	7	5900	6220	4710	5030	1190	-1	1	-1	1050

Real time

DPX minimum signal duration (100% POI)	100 μ s DPX settings: Span = 40 MHz, RBW = 300 kHz (Auto) Due to the nondeterministic execution time of programs running under Microsoft Windows OS, this specification may not be met when the host PC is heavily loaded with other processing tasks
DPX bitmap image resolution	201 pixels vertical x 801 pixels horizontal
DPX spectrogram minimum time resolution	1 millisecond Due to the non-deterministic execution time of programs running under Microsoft Windows OS, this specification may not be met when the host PC is heavily loaded with other processing tasks
Audio demodulation	
Types	AM, FM
IF bandwidth range	Five selections, 8 kHz – 200 kHz
Audio output frequency range	50 Hz – 10 kHz

Interfaces, input, output ports

RF input	Type N, female
External frequency reference input	SMA, female
Trigger/sync input	SMA, female
Status indicator	LED, dual color red/green LED states: Steady Red: USB power applied, or resetting Steady Green: Initialized, ready for use Flickering Green: Transferring acquired data to host PC
USB device port	USB 3.0 - Micro-B (with thumbscrews on instruments serial numbered B010900 or above)

Power

Power consumption	Per USB 3.0 SuperSpeed requirements: 5.0 V, \leq 900 mA, nominal
--------------------------	--

Physical

Weight	0.59 kg (1.3 lbs)
Dimensions	
Height	30.5 mm (1.2 in)
Width	127 mm (5.0 in)
Depth	190.5 mm (7.5 in)

Regulatory

Safety	UL61010-1, CAN/CSA-22.2 No.61010-1, EN61010-1, IEC61010-1
Regional certifications	Europe: EN61326 Australia/New Zealand: AS/NZS 2064
EMC emissions	EN61000-3-2, EN61000-3-3, EN61326-2-1
EMC immunity	EN61326-1/2, IEC61000-4-2/3/4/5/6/8/11

Environmental performance

Temperature	
Operating	-10 °C to +55 °C (+14 °F to +131 °F)
Nonoperating	-51 °C to +71 °C (-60 °F to +160 °F)
Humidity, operating	5% to 95 ±5% RH (relative humidity) in the temperature range of +10 °C to 30 °C (+50 °F to 86 °F) 5% to 75% ±5% RH from +30 °C to +40 °C (+86 °F to 104 °F) 5% to 45% RH above +40 °C to +55 °C (+86 °F to +131 °F) <10 °C humidity is uncontrolled; non-condensing
Altitude	
Operating	9144 meters (30,000 feet)
Nonoperating	15,240 meters (50,000 feet)
Dynamics	
Random vibration: nonoperating	0.030 g ² /Hz, 10 Hz – 500 Hz, 30 minutes per axis, three axes (90 minutes total)
Mechanical shock: operating	Half-sine mechanical shocks, 30 g peak amplitude, 11 ms duration, three drops in each direction of each axis (18 total)
Handling and transit	
Bench handling, operating	Per MIL-PRF-28800F Class 2 operating: Rotational-edge-drops of appropriate edges on appropriate sides of the equipment
Transit drop, nonoperating	Per MIL-PRF-28800F Class 2 nonoperating: Transit drops onto six faces and four corners of the equipment, from a height of 30 cm (11.8 in.) for a total of 10 impacts

Performance verification

NOTE. *The performance verification procedure is not a calibration procedure. The performance verification procedure only verifies that your instrument meets key specifications. For your instrument to be calibrated, it must be returned to a Tektronix service facility.*

NOTE. *This manual applies only to instruments calibrated with **Version 1 RF Signal Path Gain Cal.** or later. For instruments calibrated with Version 0 RF Signal Path Gain Cal, use the Specifications and Performance Verification manual Tektronix part number 077-1030-XX available on the Tektronix web site.*

(See page vii, Determining RF signal path gain calibration version.)

The SignalVu-PC software version must be version 3.5.0134 or greater.

Prerequisites

The tests in this section make up a confirmation of performance and functionality when the following requirements are met:

- The SignalVu-PC application must be version 3.5.0134 or greater.
- The instrument was calibrated using Version 1 RF Signal Path Gain Cal. (See page vii, *Determining RF signal path gain calibration version.*)
- Operate the instrument in an environment that meets the temperature, altitude, and humidity characteristics listed in the specifications.
- The instrument must be completely assembled and covers installed per factory specification.
- The instrument must have been operating for a warm-up period of at least for 30 minutes (after being connected to the PC, starting the SignalVu-PC application, and SignalVu-PC is connected to the RSA306 instrument and continuously acquiring data).

NOTE. *The RSA306 does not fully power on until SignalVu-PC has established communication with the RSA306 and is acquiring data.*

- The instrument must have had its last alignment routine done after at least a 30 minute warm-up period at an ambient temperature not more than ± 2 °C different than the current ambient temperature.

Required equipment

These procedures use external, traceable signal sources to directly check warranted characteristics. The following table lists the equipment required for this procedure.

Table 2: RSA306 required test equipment

Item	Description	Qty	Model Number	Purpose
Desktop or Laptop PC	Intel Core i7-4-core with Intel HD4000 (clock speed 3.6 GHz or in this proximity), 8.00 GB RAM, WIN7 64 Bit OS, Solid State Drive (SSD) \geq 128 GB with > 300 MBytes/sec sustained write speed, USB 3.0	1	Dell Optiplex 9020 MT, or equivalent	Run SignalVu-PC
Locking USB3 cable	1 meter length, A to Micro B, with thumbscrews (can be locked in place for units with mating faceplate)	1	L-Com CAVISU3AMICB-1M 174-6796-00 (Tektronix P/N)	Required for the RSA306 communication and power
Signal generator	DC – 8 GHz	1	Stanford Research Systems SG386 option 02	Test full frequency range
Signal generator	DC – 6 GHz	1	Tektronix TSG4106A	Second signal generator require to perform third-order distortion test
Power meter	9 kHz – 18 GHz (power head dependent)	1	Keysight E4418B	Verifies RSA306 input signal amplitude
Power sensor	9 kHz – 18 GHz	1	Keysight power head E9304A H18	Measures RSA306 input signal amplitude
Power splitter	DC – 18 GHz, N	1	Keysight 11667A	Amplitude adjustments and input amplitude setting in spurious tests
Power combiner	2 –18 GHz, SMA	1	M/A-COM 2089-6208-00	Third-order distortion measurement
Attenuator	3 dB, SMA, >8 GHz bandwidth	2	Mini-Circuits Labs FW-3+	For third-order distortion measurement
Termination	DC -18 GHz, N-m	1	Maury Microwave 2510B6	For DANL tests
Adapter N(male) to N(male)	DC -18 GHz coaxial adapter	1	Pasternack PE91034 or Maury Microwave 8828B	Amplitude adjustments
Adapter N(male) to SMA(female)	DC -18 GHz adapter	2-6 (as needed)	Needed for SG386 generator	May be needed for signal generator and filter RF connections

Table 2: RSA306 required test equipment (cont.)

Item	Description	Qty	Model Number	Purpose
Band pass filter	2150 MHz, SMA	2	Mini-Circuits Labs ZX75BP-2150+	For third-order distortion measurement
Low pass filter	3300 MHz cutoff, L250 filter	1	K&L 5L3-3300/E 10000 – O/OP	Spurious test
Tunable filter	375 MHz to 750 MHz, N connectors	1	K&L 5BT-375/750-5-N/N	Spurious test
Tunable filter	750 MHz to 1500 MHz, N connectors	1	K&L 5BT-750/1500-5-N/N	Spurious test
Tunable filter	1500 MHz to 3000 MHz, N connectors	1	K&L 5BT-1500/3000-5-N/N	Spurious test
Cable, SMA-to-N	ST18/SMAM/Nm/36in	1	Huber-Suhner 84004594	Generator output to RF input
Cable, SMA	ST18/SMAM/SMAM/36in	2	Huber-Suhner 84002061	TOI and tests requiring low-pass filters
Cable, SMA	ST18/SMAM/SMAM/8	2	Huber-Suhner 84028563	TOI tests
Cable, BNC-to-SMA	BNC(m) to SMA(m) cable - 1 meter	1	Pasternack PE3615-36	Generator timebase output to Ref IN. (External-timebase to generator-timebase input may need a similar cable)
Torque wrench	12 in-lb - Type N	1	Maury Microwave 2698C2	N- connector attachments
Torque wrench	8 in-lb Torque wrench - 3.5 mm	1	Huber-Suhner 74Z-0-0-21	SMA-connector attachments

NOTE. Make sure that any adaptor and cable you use is specified to operate at the frequency range of the test you are performing. Connector frequency ranges:

BNC: DC to 1 GHz typical, up to 3 GHz for certain BNC cable/connectors.

N: DC to 18 GHz typical

SMA: DC to 18 GHz typical, up to 26.5 GHz for certain SMA cable/connectors.

Preliminary checks

Do these steps before starting the performance verification procedures.

Warm up the instrument

1. Connect the RSA306 USB cable to the host PC. The LED on the RSA306 should initially glow red then turn green after a few moments.
2. Make sure the SignalVu-PC application is connected to the RSA306 over USB.

3. View hardware status bar in the lower left corner of the SignalVu display. Verify that there are no errors or messages indicating loss of or invalid calibration data. At startup, the application may show the message, "Not Aligned:" this is OK.
4. Start the application acquiring data and allow the instrument to warm up for at least 30 minutes.

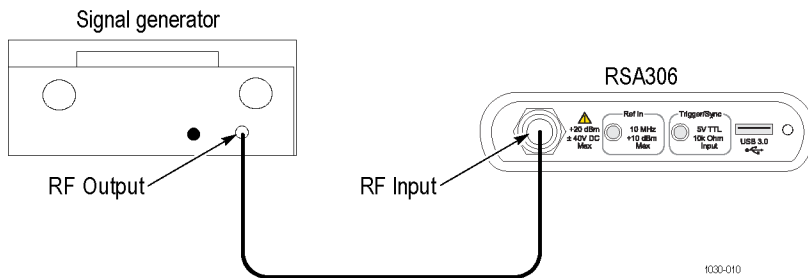
Run the alignment process

Align the instrument after the 30 minute warm-up period and before proceeding with the Warranted Characteristics tests:

1. Select **Alignments** in the Tools menu to open the Alignments dialog box.
2. Select **Align Now**. The alignment process takes a few seconds.
3. Verify that no alignment failures are reported in the status bar.

Performance verification procedures

Internal reference frequency accuracy



1. Connect a signal generator to the N-connector RF input of the RSA306.

NOTE. The signal generator accuracy must be better than ± 0.05 ppm. If the signal generator accuracy does not meet this requirement, it must have its frequency reference phase locked to a precision frequency reference.

NOTE. The Stanford Research Systems SG386 signal generator has adequate frequency stability without use of an external timebase, but only if it has been calibrated/verified within 1 year. If this is not the case, the signal generator must have an accurate external timebase connected to its timebase input (rear panel, BNC, 10 MHz).

2. Set the signal generator to output a 0 dBm, 1 GHz CW frequency.
3. Reset the RSA306 to factory defaults: (**Presets > Main**) (The center frequency will be set to 1 GHz via Preset.)
4. Set the frequency span to **10 kHz**.
5. Connect the signal generator output to the RF Input, N-connector input of the RSA306.
6. Enter the measured marker frequency in the calculations table. (See Table 3.)
7. Calculate the specification based on aging rate. (See Table 4.)
8. Compare the measured value with the specification for Internal Frequency accuracy. Enter the results in the test record.

Table 3: Internal reference frequency instability calculations

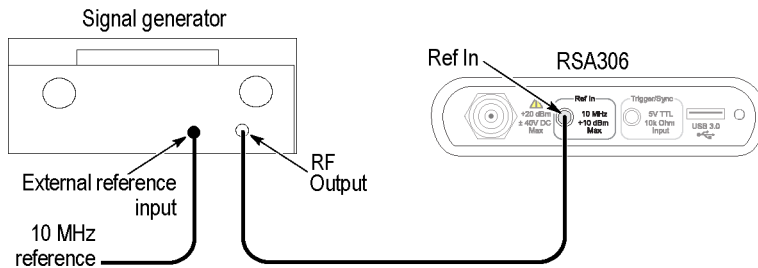
Marker frequency	Value
Instability measured [(Marker frequency – 1x10 ⁹)/1000] ppm	
Instability due to aging (See Table 4.)	
Instability due to other drift (18 °C to 28 °C)	±3 ppm
Total specified Instability (aging plus other drift)	

Table 4: Instability due to aging

Time period	Aging after initial calibration (same date of manufacture)	Aging after calibration (Calibrated more than 1 year after manufacture)
0 to 3 months	±1 ppm	±0.5 ppm
3 to 6 months	±2 ppm	±0.8 ppm
6 to 12 months	±3 ppm	±1 ppm
1 year to 2 years	±4 ppm	±2 ppm

External reference input, functional test

This check is a functional check. It is an important check for customer use, but does not check warranted specification limits.

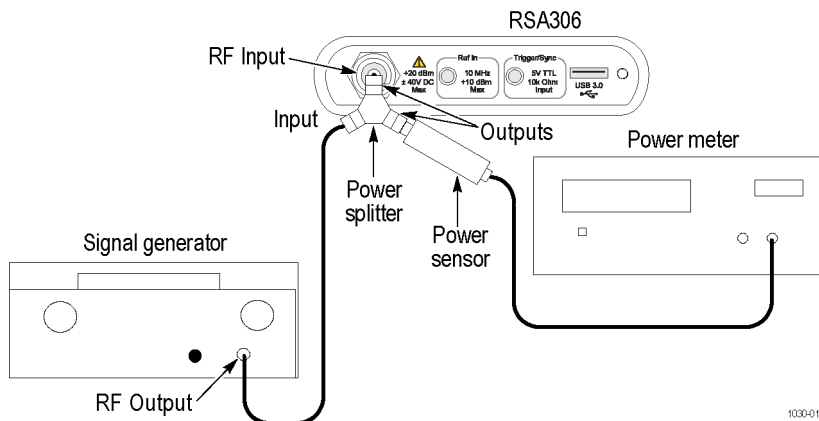


1. Connect a signal generator RF output to the N-connector Ref input of the RSA306, as shown. The signal generator accuracy must be better than ± 0.05 ppm. If it does not, it must have its frequency reference phase locked to a precision frequency reference.

Note: The Stanford Research Systems SG386 signal generator has adequate frequency stability without use of an external timebase, but only if it has been calibrated/verified within 1 year. If this is not the case, the signal generator must have an accurate external timebase connected to its timebase input (10 MHz).

2. Set the signal generator controls:
 - a. Frequency = **10 MHz**
 - b. Amplitude = **0 dBm**
3. Set the RSA306 to use the external reference (**Setup > Acquire > Frequency Reference**).
4. Under the source field, select the **External (10 MHz)** radio button.
5. Check that the Status Bar shows **Ref: Ext**. This generally occurs within 5 seconds.
6. Enter pass/fail result in the test record.

Amplitude accuracy at all center frequencies



Amplitude accuracy is tested for four different reference levels which exercises the different RF gain conditions used in the RSA306.

1. Connect the signal generator, power splitter, power sensor, power meter, and RSA306 as shown. Connect the power sensor and RF signal generator directly to the power splitter, which is connected directly to the RSA306.
2. Reset the RSA306 to factory defaults (**Presets > Main**).
3. Run the RSA306 alignment procedure (**Tools > Alignments > Align Now**).
4. Set the RSA306 as follows:
 - a. Reference Level = **+20 dBm**
 - b. Detection = **+PEAK** (Setup > Settings > Traces > Detection > +PEAK)
 - c. Filter shape = **Flat-Top** (Setup > Settings > BW > Filter Shape > Flat-top)
 - d. Center Frequency: as listed in the amplitude accuracy tables. (See Table 5.) (See Table 6.) (See Table 7.) (See Table 8.)
 - e. Span:
 - For $CF < 1$ MHz, Span = 100 kHz
 - For $1 \text{ MHz} \leq CF \leq 30$ MHz, Span = 1 MHz
 - For $CF \geq 30$ MHz, Span = 10 MHz
 - d. RBW:
 - For $CF < 1$ MHz, RBW = 1 kHz
 - For $1 \text{ MHz} \leq CF \leq 30$ MHz, RBW = 10 kHz
 - For $CF > 30$ MHz, RBW = 100 kHz
5. Set the signal generator output amplitude to **+12 dBm**. The RF amplitude at the power sensor and RSA306 input = +6 dBm nominal.
6. Set the signal generator frequency to the first frequency in the +20 dBm reference level accuracy table. (See Table 5.)
7. Set the RSA306 center frequency to the same frequency. (See Table 5.)

8. On the RSA306, peak the marker on the signal at the center frequency; measure and record the amplitude.
9. Measure and record the power meter amplitude.
10. Repeat steps 6 through 8 for all of the +20 dBm reference level frequencies in the table, measuring power meter amplitude and RSA306 amplitude.
11. Set the signal generator output amplitude to **+1 dBm** for the 0 dBm reference level tests. RF amplitude at the power sensor and the RSA306 = -5 dBm nominal.
12. Repeat steps 6 through 8 for all of the +0 dBm reference level frequencies in the table, measuring power meter amplitude and RSA306 amplitude. Enter the values in the 0 dBm accuracy table. (See Table 6.)
13. Set the signal generator output amplitude to **-12 dBm** for the -13 dBm reference level tests. RF amplitude at the power sensor and the RSA306 = -18 dBm nominal.
14. Repeat steps 6 through 8 for all of the -13 dBm reference level frequencies in the table, measuring power meter amplitude and RSA306 amplitude. Enter the values in the -13 dBm accuracy table. (See Table 7.)
15. Set the signal generator output amplitude to **-29 dBm** for the -30 dBm reference level tests. RF amplitude at the power sensor and the RSA306 = -35 dBm nominal.
16. Repeat steps 6 through 8 for all of the -30 dBm reference level frequencies in the table, measuring power meter amplitude and RSA306 amplitude. Enter the values in the -30 dBm accuracy table. (See Table 8.)
17. Calculate the amplitude errors for each frequency of each reference level accuracy table. Error = RSA306 measurement - power meter measurement. Readings are in dBm, error is in dB.
18. Note the largest positive and negative errors in the Error column in all the reference level measurement tables.
19. Enter these values in the Amplitude accuracy results table. (See Table 9.)
20. Compare the +peak and -peak errors against the specifications.
21. Enter pass or fail in the test record.

Table 5: Amplitude accuracy, +20 dBm reference level measurements

Center/signal frequency	RSA306 reading, dBm	Power meter value, dBm	Error (RSA306 - Pwr meter), dB
9 kHz			
20 kHz			
50 kHz			
100 kHz			
300 kHz			
1 MHz			
3 MHz			
10 MHz			
20 MHz			
22 MHz			
100 MHz			
699 MHz			

Table 5: Amplitude accuracy, +20 dBm reference level measurements (cont.)

Center/signal frequency	RSA306 reading, dBm	Power meter value, dBm	Error (RSA306 – Pwr meter), dB
701 MHz			
1 GHz			
1.849 GHz			
1.851 GHz			
2.339 GHz			
2.341 GHz			
2.419 GHz			
2.421 GHz			
2.699 GHz			
2.701 GHz			
3.000 GHz			
3.699 GHz			
3.701 GHz			
4.569 GHz			
4.571 GHz			
4.629 GHz			
4.631 GHz			
4.749 GHz			
4.751 GHz			
4.959 GHz			
4.961 GHz			
5.699 GHz			
5.701 GHz			
5.804 GHz			
5.806 GHz			
6.200 GHz			

Table 6: Amplitude accuracy, 0 dBm reference level measurements

Center/signal frequency	RSA306 reading, dBm	Power meter value, dBm	Error (RSA306 – Pwr meter), dB
9 kHz			
20 kHz			
50 kHz			

Table 6: Amplitude accuracy, 0 dBm reference level measurements (cont.)

Center/signal frequency	RSA306 reading, dBm	Power meter value, dBm	Error (RSA306 – Pwr meter), dB
100 kHz			
300 kHz			
1 MHz			
3 MHz			
10 MHz			
20 MHz			
22 MHz			
100 MHz			
699 MHz			
701 MHz			
1 GHz			
1.849 GHz			
1.851 GHz			
2.339 GHz			
2.341 GHz			
2.419 GHz			
2.421 GHz			
2.699 GHz			
2.701 GHz			
3.000 GHz			
3.699 GHz			
3.701 GHz			
4.569 GHz			
4.571 GHz			
4.629 GHz			
4.631 GHz			
4.749 GHz			
4.751 GHz			
4.959 GHz			
4.961 GHz			
5.699 GHz			
5.701 GHz			

Table 6: Amplitude accuracy, 0 dBm reference level measurements (cont.)

Center/signal frequency	RSA306 reading, dBm	Power meter value, dBm	Error (RSA306 – Pwr meter), dB
5.804 GHz			
5.806 GHz			
6.200 GHz			

Table 7: Amplitude accuracy, –13 dBm reference level measurements

Center/signal frequency	RSA306 reading, dBm	Power meter value, dBm	Error (RSA306 – Pwr meter), dB
9 kHz			
20 kHz			
50 kHz			
100 kHz			
300 kHz			
1 MHz			
3 MHz			
10 MHz			
20 MHz			
22 MHz			
100 MHz			
699 MHz			
701 MHz			
1 GHz			
1.849 GHz			
1.851 GHz			
2.339 GHz			
2.341 GHz			
2.419 GHz			
2.421 GHz			
2.699 GHz			
2.701 GHz			
3.000 GHz			
3.699 GHz			
3.701 GHz			
4.569 GHz			

Table 7: Amplitude accuracy, –13 dBm reference level measurements (cont.)

Center/signal frequency	RSA306 reading, dBm	Power meter value, dBm	Error (RSA306 – Pwr meter), dB
4.571 GHz			
4.629 GHz			
4.631 GHz			
4.749 GHz			
4.751 GHz			
4.959 GHz			
4.961 GHz			
5.699 GHz			
5.701 GHz			
5.804 GHz			
5.806 GHz			
6.200 GHz			

Table 8: Amplitude accuracy, –30 dBm reference level measurements

Center/signal frequency	RSA306 reading, dBm	Power meter value, dBm	Error (RSA306 – Pwr meter), dB
9 kHz			
20 kHz			
50 kHz			
100 kHz			
300 kHz			
1 MHz			
3 MHz			
10 MHz			
20 MHz			
22 MHz			
100 MHz			
699 MHz			
701 MHz			
1 GHz			
1.849 GHz			
1.851 GHz			
2.339 GHz			

Table 8: Amplitude accuracy, –30 dBm reference level measurements (cont.)

Center/signal frequency	RSA306 reading, dBm	Power meter value, dBm	Error (RSA306 – Pwr meter), dB
2.341 GHz			
2.419 GHz			
2.421 GHz			
2.699 GHz			
2.701 GHz			
3.000 GHz			
3.699 GHz			
3.701 GHz			
4.569 GHz			
4.571 GHz			
4.629 GHz			
4.631 GHz			
4.749 GHz			
4.751 GHz			
4.959 GHz			
4.961 GHz			
5.699 GHz			
5.701 GHz			
5.804 GHz			
5.806 GHz			
6.200 GHz			

Table 9: Amplitude accuracy results

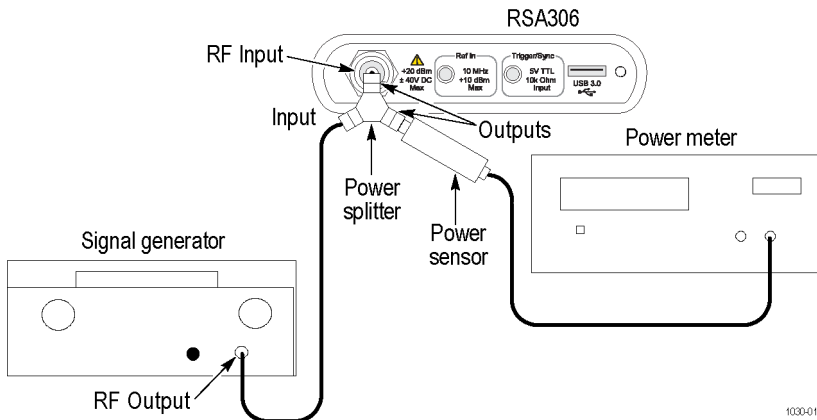
Reference level	Frequency range	Maximum +error	Maximum –error	Specification
+20 dBm	9 kHz to 2.701 GHz			±2.0 dB
	3 GHz to 6.2 GHz			±2.75 dB
0 dBm	9 kHz to 2.701 GHz			±2.0 dB
	3 GHz to 6.2 GHz			±2.75 dB
-13 dBm	9 kHz to 2.701 GHz			±2.0 dB
	3 GHz to 6.2 GHz			±2.75 dB

Table 9: Amplitude accuracy results (cont.)

Reference level	Frequency range	Maximum +error	Maximum -error	Specification
-30 dBm	9 kHz to 2.701 GHz			±2.0 dB
	3 GHz to 6.2 GHz			±2.75 dB

Channel amplitude flatness

The amplitude flatness test verifies amplitude at the two normalized bands and the band most likely to encounter a channel response problem. The channel flatness is measured for 2 MHz – 42 MHz, 1260 MHz – 1300 MHz, and 2140 MHz – 2180 MHz.



1. Connect the signal generator, power splitter, power sensor, power meter, and RSA306 as shown in the following figure. Connect the power splitter outputs directly to the RSA306 RF Input and to the power sensor.
2. Reset the RSA306 to factory defaults (**Presets > Main**).
3. Run the RSA306 alignment procedure (**Tools > Alignments > Align Now**).
4. Set the RSA306 as follows:
 - a. Reference Level = **0 dBm**.
 - b. Detection = **+PEAK** (Setup > Settings > Traces > Detection > +PEAK).
 - c. Filter shape = **Flat-Top** (Setup > Settings > BW > Filter Shape > Flat-top).
 - d. Center Frequency = **22 MHz**
 - e. Span = **40 MHz**
 - f. RBW = **Auto (300 kHz)**
 - g. Function = **Normal** (Setup > Settings > Traces > Function)
5. Set the signal generator frequency to the first frequency in the 2 MHz – 42 MHz channel flatness table. (See Table 10.)
6. Set the signal generator amplitude for **-5 dBm** at the power meter and RSA306.
7. Record the power meter reading in the 2 MHz – 42 MHz channel flatness table. (See Table 10.)
8. On the RSA306, position the marker on the peak amplitude of the signal; record the amplitude in the channel flatness table.
9. Repeat steps 5 through 8 to measure and record for all the frequencies in the channel flatness table, 2 MHz through 42 MHz. Do not change the RSA306 center frequency setting.
10. Set the RSA center frequency to **1280 MHz**. Keep other settings the same.
11. Set the signal generator frequency to **1260 MHz**.

12. Set the signal generator amplitude for **-5 dBm** at the power meter and RSA306.
13. Repeat steps 5 through 8 to measure and record for all the frequencies in the channel flatness table, 1260 MHz through 1300 MHz. (See Table 11.) Do not change the RSA306 center frequency setting.
14. Change the RSA306 center frequency to **2160 MHz**. Keep other settings the same.
15. Set the signal generator frequency to **2140 MHz**.
16. Set the signal generator amplitude for **-5 dBm** at the power meter and RSA306.
17. Repeat steps 5 through 8 to measure and record for all the frequencies in the channel flatness table, 2140 MHz through 2180 MHz. (See Table 12.) Do not change the RSA306 center frequency setting. An alternate IF setting is used in this range. This verifies the alternate setting.
18. Use the recorded values to calculate the amplitude differences for each measured frequency in the three channel flatness tables.

Difference amplitude = (power meter amplitude – RSA306 marker amplitude)

The measured amplitudes are dBm. The difference amplitude is dB.

19. Calculate the channel flatness error relative the center screen amplitude. Center screen value:

22 MHz for the 2 – 42 MHz channel

1280 MHz for the 1260 – 1300 MHz channel

2160 MHz for the 2140 – 2180 MHz channel

The flatness error at each frequency is:

Error = (difference amplitude, each frequency – difference amplitude, center screen frequency)

NOTE. All amplitudes are in dB.

At center screen, Error = 0 dB.

Example calculation for 2 MHz frequency, 22 MHz center screen:

22 MHz Center screen difference amplitude = +0.13 dB

2 MHz Frequency difference amplitude = -0.32 dB

Error = (-0.32 dB – (0.13 dB)) = **-0.45 dB**

Table 10: 22 MHz channel flatness, 2 MHz – 42 MHz

Signal generator frequency	Power meter amplitude, dB	RSA306 marker amplitude, dB	Difference amplitude, dBm	Channel flatness error, dB
2 MHz				
4 MHz				
6 MHz				
8 MHz				
10 MHz				
12 MHz				
14 MHz				
16 MHz				
18 MHz				
20 MHz				
22 MHz				
24 MHz				
26 MHz				
28 MHz				
30 MHz				
32 MHz				
34 MHz				
36 MHz				
38 MHz				
40 MHz				
42 MHz				
Maximum difference amplitude				< +1 dB
Minimum difference amplitude				> -1 dB

Table 11: 1280 MHz channel flatness, 1260 MHz – 1300 MHz

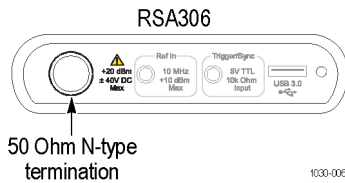
Signal generator frequency	Power meter amplitude, dB	RSA306 marker amplitude, dB	Difference amplitude, dBm	Channel flatness error, dB
1260 MHz				
1262 MHz				
1264 MHz				
1266 MHz				
1268 MHz				
1270 MHz				
1272 MHz				
1274 MHz				
1276 MHz				
1278 MHz				
1280 MHz				
1282 MHz				
1284 MHz				
1286 MHz				
1288 MHz				
1290 MHz				
1292 MHz				
1294 MHz				
1296 MHz				
1298 MHz				
1300 MHz				
Maximum difference amplitude				< +1 dB
Minimum difference amplitude				> -1 dB

Table 12: 2160 MHz Channel flatness, 2140 MHz – 2180 MHz

Signal generator frequency	Power meter amplitude, dB	RSA306 marker amplitude, dB	Difference amplitude, dBm	Channel flatness error, dB
2140 MHz				
2142 MHz				
2144 MHz				
2146 MHz				
2148 MHz				
2150 MHz				
2152 MHz				
2154 MHz				
2156 MHz				
2158 MHz				
2160 MHz				
2162 MHz				
2164 MHz				
2166 MHz				
2168 MHz				
2170 MHz				
2172 MHz				
2174 MHz				
2176 MHz				
2178 MHz				
2180 MHz				
Maximum difference amplitude				< +1 dB
Minimum difference amplitude				> -1 dB

DANL (Displayed Average Noise Level)

The intent of the DANL test is to measure the average internal noise level of the instrument. The DANL specification does not cover residual spurs. If the specific measurement frequency results in measuring a residual spur that is visible above the noise level, the DANL specification applies not to the spur but to the noise level on either side of the spur. Please refer to the Spurious Response specifications.



1. Connect a 50 Ω N termination to the RSA306 RF Input.
2. Reset the RSA306 to factory defaults (**Presets > Main**).
3. Run the RSA306 alignment procedure (**Tools > Alignments > Align Now**).
4. Set the RSA306 as follows:
 - a. Reference Level = **-50 dBm to -90 dBm**.
The reference level can be set lower than -50 dBm to display the noise on screen. This helps avoid measuring on spurious signals since it is easier to determine the presence of spurious.
 - b. Set Detection = **Avg (Vrms)** (Setup > Settings > Traces > Detection > Avg).
 - c. Set Function = **Avg (of logs)** (Setup > Settings > Traces > Function)
 - d. Averaging = **100** (Setup > Settings > Traces > Function: select 100 in field)
 - e. Filter shape = **Flat-Top** (Setup > Settings > BW > Filter Shape > Flat-top).
 - f. Center Frequency = **22 MHz**
 - g. Span = **100 kHz**
 - h. RBW = **Auto (100 Hz)**
5. Set the marker for POWER measurement:
 - a. Marker function = **Power (dBm/Hz)** (Markers > Define Markers > Readouts (near bottom of screen) > Power)
 - b. Turn on marker (Markers > Define Markers > Add)
6. Set the RSA306 to each of the center frequencies listed in the DANL frequencies of interest table. (See Table 13 on page 30.) After averaging is completed, move the marker near the center screen to the baseline noise on either side of the center screen spurious. Make sure the marker is not on a coherent spurious signal. Enter the marker noise level amplitude in the DANL frequencies of interest table and the test record and compare with the specification.

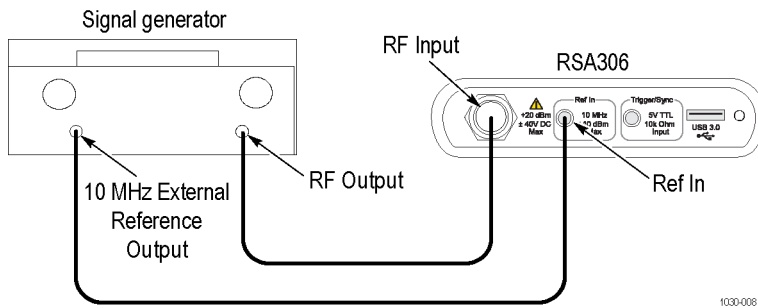
Table 13: DANL frequencies of interest

RSA306 center frequency	Marker noise level	Specification
100 kHz		< -130 dBm/Hz
1 MHz		< -130 dBm/Hz
10 MHz		< -130 dBm/Hz
20 MHz		< -130 dBm/Hz
22 MHz		< -160 dBm/Hz
100 MHz		< -160 dBm/Hz
500 MHz		< -160 dBm/Hz
1 GHz		< -160 dBm/Hz
1.5 GHz		< -158 dBm/Hz
2.0 GHz		< -158 dBm/Hz
2.5 GHz		< -155 dBm/Hz
3.0 GHz		< -155 dBm/Hz
3.5 GHz		< -155 dBm/Hz
4.0 GHz		< -155 dBm/Hz
4.5 GHz		< -150 dBm/Hz
5.0 GHz		< -150 dBm/Hz
5.5 GHz		< -150 dBm/Hz
6.0 GHz		< -150 dBm/Hz
6.2 GHz		< -150 dBm/Hz

Phase noise

The intent of the Phase Noise test is to measure the phase noise level of the instrument. The phase noise specification does not cover residual spurs. If the specific measurement frequency results in measuring a residual spur that is visible above the noise level, the phase noise specification applies not to the spur but to the noise level on either side of the spur. Please refer to the Spurious Response specifications. Also, refer to the Spurious Response section of this procedure to determine whether or not a residual spur is within the specification.

Connect the signal generator and RSA306 as shown in the following figure.



1. Reset the RSA306 to factory defaults (**Presets > Main**).
2. Run the RSA306 alignment procedure (**Tools > Alignments > Align Now**). Note: the Center frequency should be 1 GHz.
3. Set the signal generator CW frequency = **1 GHz**.
4. Set the signal generator CW amplitude = **0 dBm** at the RSA306 input.
5. Select **External Reference** (Setup > Acquire > Frequency Reference > External)
6. Set trace detection = **+PEAK** (Setup > Settings > Traces > Detection)
7. Measure the CW amplitude for the following settings:
 - a. Trace Function = **Avg (Vrms)**, 10 averages (Setup > Settings > Traces > Function: Avg (Vrms), count = 10)
 - b. Span = **100 kHz**
 - c. RBW = **1 kHz**
 - d. Move MR marker to highest amplitude signal after 10 averages, write the marker value as the CW amplitude (for the 1 kHz filter) in the measurement table. (See Table 14.)
8. Measure the CW amplitude for the following settings:
 - a. Span = **10 kHz**
 - b. RBW = **100 Hz**
 - c. Move MR marker to highest amplitude signal after 10 averages, write marker value as the CW amplitude for the 100 Hz filter and 10 Hz filter in the measurement table. (See Table 14.)
9. Set Trace detection = **Avg (Vrms)**.
10. Set Marker function = **Power (dBm/Hz)** (Markers > Define Markers > Readouts (near bottom of window) > Power).
11. Turn on marker (Markers > Define Markers > Add)

12. Measure noise for 1 MHz offset:

- a. CF = **1000.95 MHz**
- b. Span = **1 MHz**
- c. RBW = **1 kHz**
- d. Avg count = **100**
- e. Marker frequency = **1000.997 MHz** (note, this avoids the 1 MHz offset spur)
- f. After averaging is completed, enter the raw noise amplitude in dBm/Hz in the measurement table. (See Table 14.)
- g. Calculate and record Phase noise, the difference of CW amplitude in 1 kHz filter and noise measured with the POWER marker. (See Table 14.)

13. Measure noise for 100 kHz offset:

- a. CF = **1000.095 MHz**
- b. Span = **100 kHz**
- c. RBW = **1 kHz**
- d. Avg count= **100**
- e. Marker frequency = **1000.100 MHz**
- f. After averaging is completed, enter the raw noise amplitude in dBm/Hz in the measurement table (See Table 14.) and test record.
- g. Calculate and record Phase noise, the difference of CW amplitude in 1 kHz filter and noise measured with the POWER marker. (See Table 14.)

14. Measure noise for 10 kHz offset:

- a. CF = **1000.0095 MHz**
- b. Span = **10 kHz**
- c. RBW = **100 Hz**
- d. Avg count =**100**
- e. Marker frequency = **1000.010 MHz**
- f. After averaging is completed, enter the raw noise amplitude in dBm/Hz in the measurement table. (See Table 14.)
- g. Calculate and record Phase noise, the difference of CW amplitude in 100 Hz filter and noise measured with the POWER marker.(See Table 14.)

15. Measure noise for 1 kHz offset:

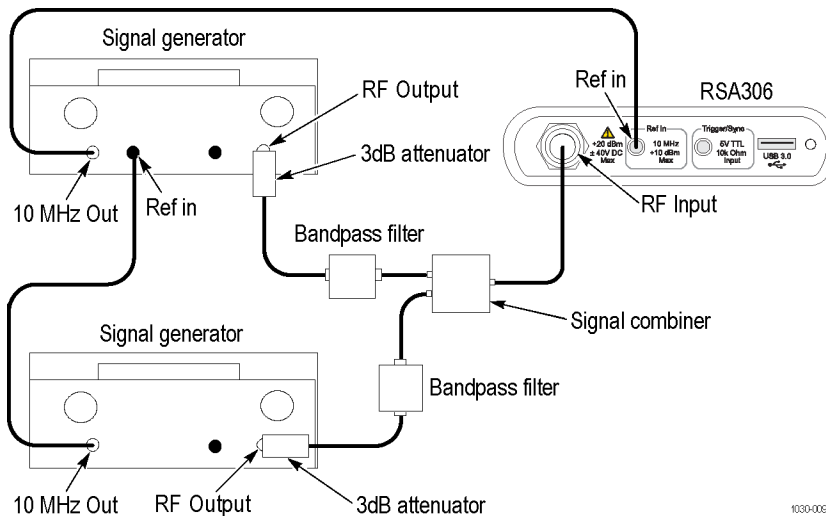
- a. CF = 1000.000950 Hz
- b. Span = 1 kHz
- c. RBW = 10 Hz
- d. Avg count = 20 (note: If 20 averages does not result in a stable amplitude, more averages can be used.)
- e. Marker frequency = 1000.001 MHz
- f. After averaging is completed, enter the raw noise amplitude in dBm/Hz in the measurement table. (See Table 14 on page 33.)
- g. Calculate and record Phase noise, the difference of CW amplitude in 100 Hz filter and noise measured with the power marker. (See Table 14.)

16. Record the results in the Test record.**Table 14: Phase noise at 1 GHz center frequency**

Phase noise offset frequency	RBW	CW amplitude, dBm	Raw noise, dBm/Hz	Phase noise (raw noise – CW amplitude), dBc/Hz	Specification
1 kHz	10 Hz				< -85 dBc/Hz
10 kHz	100 Hz				< -84 dBc/Hz
100 kHz	1 kHz				< -90 dBc/Hz
1 MHz	1 kHz				< -118 dBc/Hz

Third-order intermodulation distortion

Set up the RF signal generators, band-pass filters, signal combiner, and RSA306 as shown.



1. Reset the RSA306 to factory defaults (**Presets > Main**).
2. Run the RSA306 alignment procedure (**Tools > Alignments > Align Now**).
3. Set the RSA306 as follows:
 - a. Reference Level = **-15 dBm**
 - b. Span = **100 kHz**
 - c. RBW = **1 kHz**
 - d. Detection mode = **+PEAK** (Setup > Settings > Traces > Detection > +PEAK)
 - e. Function = **Avg (Vrms)** (Setup > Settings > Traces > Function)
 - f. Averaging = **10** (Setup > Settings > Traces > Function: set count = 10)
 - g. Select **External Reference** (Setup > Acquire > Frequency Reference > External)
4. Set one RF signal generator frequency to **2.1295 GHz**. Set the second RF signal generator frequency to **2.1305 GHz**.
5. Set each of the RF signal generators to provide a power level of **-20 dBm** each at the RSA306. The initial generator amplitude setting is should be -13 dBm, and the amplitude is fine-tuned as follows:
 - a. Set the RSA306 center frequency to **2.1295 GHz**. Move the marker to the largest amplitude. Adjust the first generator output level for a marker reading of **-20.0 dBm** (± 0.1 dB) (after averaging).
 - b. Set the RSA306 center frequency to **2.1305 GHz**. Move the marker to the largest amplitude. Adjust the second generator output level for a marker reading of **-20.0 dBm** (± 0.1 dB) (after averaging).
6. Set the RSA306 center frequency to **2.1285 GHz**. After averaging has completed, position the marker on the highest amplitude trace point and read the marker amplitude. Record the IMD #1 amplitude. (See Table 15 on page 35.)
7. Set the RSA306 center frequency to **2.1315 GHz**. After averaging has completed, position the marker on the largest trace point and read the marker amplitude. Record the IMD #2 amplitude.

8. Calculate and record IMD (dBc):
 (maximum of IMD #1 or IMD #2) +20 dBm = IMD (dBc)
9. Record the result in the Test record.

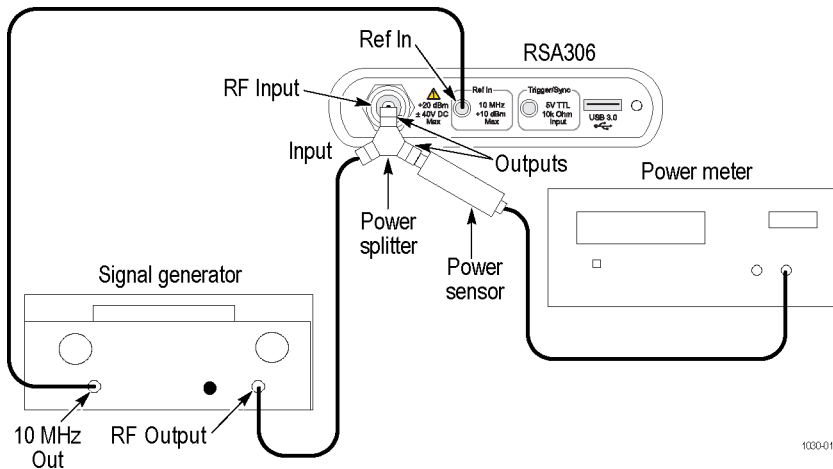
Table 15: Third order intermodulation distortion measurements

Item	Measurement	Specification
Carrier #1 amplitude		-20 dBm
Carrier #2 amplitude		-20 dBm
IMD #1 amplitude		< -80 dBm typ.
IMD #2 amplitude		< -80 dBm typ.
IMD (Max IMD - (-20 dBm))		< -60 dBc

Input-related spurious response: ADC

Requirements:

An RF signal generator capable of at least 8 GHz (example: Stanford Research Systems SG386 Option 02)



1. Connect the signal generator, power splitter, power sensor, power meter, and RSA306 as shown. Connect the power sensor and RF signal generator directly to the power splitter, which is connected directly to the RSA306.
2. Reset the RSA306 to factory defaults (**Presets > Main**).
3. Run the RSA306 alignment procedure (**Tools > Alignments > Align Now**).
4. Set the RSA306 as follows:
 - a. Reference Level = **-30 dBm**
 - b. Span = **40 MHz**
 - c. RBW = **1 kHz**
 - d. Detection mode = **+PEAK** (Setup > Settings > Traces > Detection > +PEAK)
 - e. Function = **Avg (Vrms)** (Setup > Settings > Traces > Function)
 - f. Averaging = **10** (Setup > Settings > Traces > Function: set count = 10)
 - g. Select **External Reference** (Setup > Acquire > Frequency Reference > External)

LF ADC image.

5. Set the signal generator frequency to **21 MHz**.
6. Set the signal generator output level for **-30 dBm** on the power meter. This amplitude is also at the RSA306 input (the signal generator setting will be near -24 dBm).
7. Set the RSA306 center frequency to **21 MHz (40 MHz span)**.
8. Position the marker on the signal at 21 MHz.
9. Record the value in the ADC measurements table. (See Table 16 on page 38.) The amplitude will be near -30 dBm, but may have some measurement error.

10. Set the signal generator frequency to **72 MHz**.

NOTE. Do not change the center frequency of the RSA306.

11. Set the signal generator amplitude for **-30 dBm** on the power meter. This amplitude is also at the RSA306 input. Note: In this case, the signal generator setting will be near **-24 dBm**.
12. Set the RSA306 marker on the image spur at **40 MHz**, right edge of the span. Note its amplitude in the table.
13. Calculate and record the image amplitude in dBc:

$$\text{Image (dBc)} = \text{Image amplitude at 40 MHz} - \text{CW amplitude at 21 MHz}$$

RF ADC image.

14. Set the signal generator frequency to **140 MHz**.
15. Set the signal generator amplitude for **-30 dBm** at the power meter. This amplitude is also at the RSA306 input. The signal generator setting will be near **-24 dBm**.
16. Set the RSA306 Center Frequency to **140 MHz**.
17. Peak the marker on the CW signal at **140 MHz**. Record the value in the ADC measurements table. (See Table 16 on page 38.)
18. Set the signal generator frequency to **103.8 MHz**.

NOTE. Do not change the center frequency of the RSA306.

19. Set the signal generator amplitude for **-30 dBm** on the power meter. This amplitude is also at the RSA306 input.
20. Set the RSA306 marker on the image spur seen at **120.2 MHz**, at left edge of the span. Record the amplitude in the ADC measurements table.
21. Set the signal generator frequency to **176.2 MHz**.

NOTE. Do not change the center frequency of the RSA306.

22. Set the signal generator amplitude to **-30 dBm** on the power meter. This amplitude is also at the RSA306 input.
23. Set the RSA306 marker on the image spur seen at **159.8 MHz**, at right edge of the span. Record the amplitude in the ADC measurements table. Mark which image amplitude is larger: **159.8 MHz**, or **120.2 MHz**.
24. Calculate and record the largest image amplitude in dBc:

$$\text{Image (dBc)} = \text{Largest Image amplitude at (120.2 MHz or 159.8 MHz)} - \text{CW amplitude at 140 MHz}$$

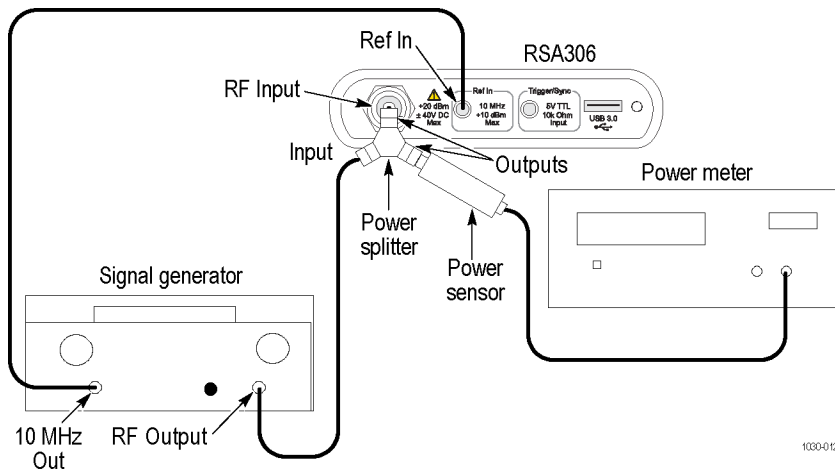
25. Record results in the Test record.

Table 16: ADC images (LF, RF) measurements

ADC images (LF, RF)	Measurement	Specification
LF CW amplitude 21 MHz		
LF Image amplitude 40 MHz CF		
LF ADC Image, dBc		< -50 dBc
RF CW amplitude 140 MHz		
RF Image amplitude 159.8 MHz		
RF Image amplitude 120.2 MHz		
RF ADC Image, dBc (largest RF image -140 MHz CW)		< -50 dBc

Input-related spurious response: second converter images

NOTE. You do not need to do the first three steps (setup, reset, and alignment) when you perform the input-related spurious response tests in sequence.



1. Connect the signal generator, power splitter, power sensor, power meter, and RSA306 as shown. Connect the power sensor and RF signal generator directly to the power splitter, which is connected directly to the RSA306.
2. Reset the RSA306 to factory defaults (**Presets > Main**).
3. Run the RSA306 alignment procedure (**Tools > Alignments > Align Now**).
4. Set the RSA306 as follows:
 - a. Center frequency = **1 GHz**
 - b. Reference Level = **-30 dBm**
 - c. Span = **1 MHz**
 - d. RBW = **1 kHz**
 - e. Detection mode = **+PEAK** (Setup > Settings > Traces > Detection > +PEAK)
 - f. Function = **Avg (Vrms)** (Setup > Settings > Traces > Function)
 - g. Averaging = **10** (Setup > Settings > Traces > Function: count = 10)
 - h. Select **External Reference** (Setup > Acquire > Frequency Reference > External)
5. Set the signal generator frequency to **1.0 GHz**.
6. Set the signal generator for **-30 dBm** at the power meter and RSA306 input. Monitor and set the signal generator amplitude to -30 dBm at the power meter when changing frequency settings during this test.
7. Measure the CW amplitude at 1 GHz and note it in the second converter image measurements table. (See Table 17.)
8. Set the signal generator frequency to **1280 MHz**.
9. Set the signal generator for **-30 dBm** at the power meter and RSA306 input.

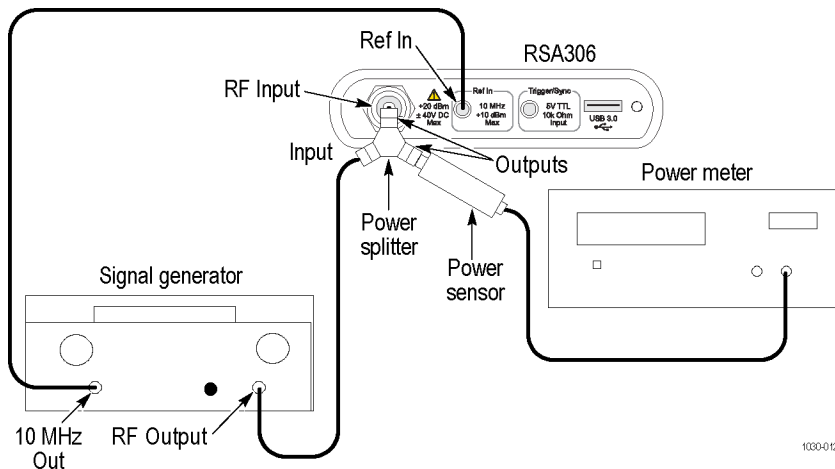
10. Measure the image spur amplitude at 1 GHz center frequency and note it in the second converter image measurements table. (See Table 17.)
11. Calculate the difference between the image amplitude and the CW amplitude. This is the image spur magnitude in dBc.
12. Set the signal generator frequency to **2 GHz**.
13. Set the RSA306 center frequency to **2 GHz**.
14. Measure the CW amplitude at 2 GHz and note it in the second converter image measurements table. (See Table 17.)
15. Set the signal generator frequency to **2280 MHz**.
16. Measure the image spur amplitude at 2 GHz center frequency and note it in the second converter image measurements table. (See Table 17.)
17. Calculate the difference between the image amplitude and the CW amplitude. This is the image spur magnitude in dBc.
18. Record results in the Test record.

Table 17: Second converter image measurements

Images	Measurement	Specification
CW amplitude 1 GHz		
Image amplitude 1 GHz CF (2440 IF)		
Second Converter Image, dBc Image – 1 GHz CW		< –50 dBc
CW amplitude 2 GHz		
Image amplitude 2 GHz CF (1190 IF)		
RF Image, dBc (Image – 2 GHz CW)		< –50 dBc

Input-related spurious response: first converter images

NOTE. You do not need to do the first three steps (setup, reset, and alignment) when you perform the input-related spurious response tests in sequence.



1. Connect the signal generator, power splitter, power sensor, power meter, and RSA306 as shown. Connect the power sensor and RF signal generator directly to the power splitter, which is connected directly to the RSA306.
2. Reset the RSA306 to factory defaults (**Presets > Main**).
3. Run the RSA306 alignment procedure (**Tools > Alignments > Align Now**).
4. Set the RSA306 as follows:
 - a. Reference Level = **-30 dBm**
 - b. Span = **1 MHz**
 - c. RBW = **1 kHz**
 - d. Detection mode = **+PEAK** (Setup > Settings > Traces > Detection > +PEAK)
 - e. Function = **Avg (Vrms)** (Setup > Settings > Traces > Function)
 - f. Averaging = **10** (Setup > Settings > Traces > Function; count = 10)
 - g. Select **External Reference** (Setup > Acquire > Frequency Reference > External)
5. Set the signal generator output for **-30 dBm** at the power meter and RSA306 input.
6. Set the RSA306 to the Center frequency shown in the First converter images table. (See Table 18 on page 42.)
7. Set the signal generator frequency to the Image frequency value in the table.

NOTE. Monitor and set the signal generator amplitude to **-30 dBm** whenever you change frequency settings during this test.

8. Measure and record the Image Amplitude at the RSA306 CF.

9. Calculate and record the Image Spur Amplitude in dBc (Image amplitude (dBm) + 30).
10. Repeat steps 6 through 9 for each center frequency listed in the table.
11. Record results in the Test record.

NOTE. *The intent of the image spurious test is to measure spurious responses caused by the injection of an external signal that would induce an image product on the display. These images can be the same frequencies as residual spurs. In case of question, slightly change the frequency of the input signal to induce a corresponding change in the displayed frequency of the image spur.*

Change the input frequency in steps that allow the product to stay within the on-screen frequency span. If the on-screen spur does not move in response to the input signal change, it is not an image and is not covered in the image spurious specification. Some care must be taken in noting the frequency change.

The images specified in the specification are 1:1 images and they will move either -1:1 or +1:1 with changes in input signal frequency.

Never discount the possibility that a spur in question could be coming from the test signal generator. Such spurious responses can also move with changes in signal generator frequency. In case of question, validate the performance of the generator with a different Signal Analyzer and/or filter the signal from the test generator to remove unwanted products.

If the spur seen on screen is a residual, it will still be present with the input to the signal analyzer terminated in 50 Ω. Residual spurs are subject to separate specification limits.

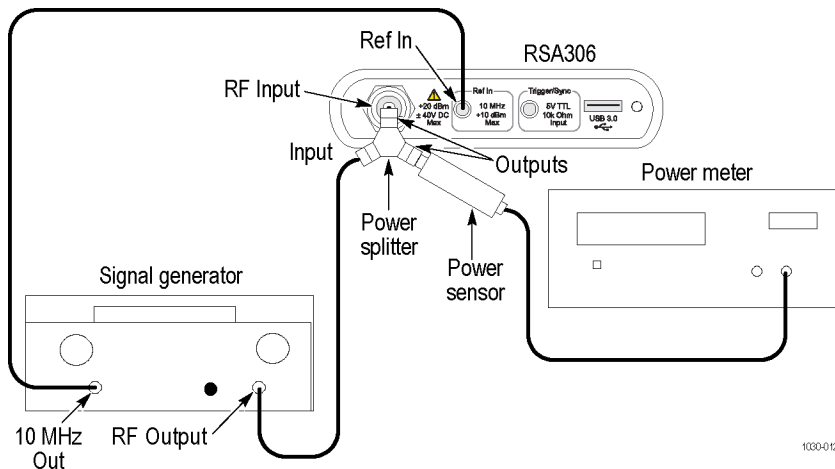
Table 18: First converter images: RSA306 and signal generator settings

Center frequency (RSA306)	Image frequency (signal generator)	Image Amplitude at RSA306 CF, dBm	Image Spur Amplitude, dBc ¹	Specification, dBc (relative to -30 dBm input)
22 MHz	4902 MHz			< -50 dBc
690 MHz	5570 MHz			< -50 dBc
700 MHz	5580 MHz			< -50 dBc
1320 MHz	6200 MHz			< -50 dBc
1850 MHz	4230 MHz			< -50 dBc
2690 MHz	5070 MHz			< -50 dBc
2700 MHz	5080 MHz			< -50 dBc
3690 MHz	6070 MHz			< -50 dBc
4200 MHz	680 MHz			< -50 dBc
4750 MHz	2370 MHz			< -50 dBc
4950 MHz	2570 MHz			< -50 dBc
4960 MHz	2580 MHz			< -50 dBc
5700 MHz	3320 MHz			< -50 dBc
6200 MHz	3820 MHz			< -50 dBc

¹ Image amplitude + 30.

Input-related spurious response: IF feedthrough

NOTE. You do not need to do the first three steps (setup, reset, and alignment) when you perform the input-related spurious response tests in sequence.



1. Connect the signal generator, power splitter, power sensor, power meter, and RSA306 as shown. Connect the power sensor and RF signal generator directly to the power splitter, which is connected directly to the RSA306.
2. Reset the RSA306 to factory defaults (**Presets > Main**).
3. Run the RSA306 alignment procedure (**Tools > Alignments > Align Now**).
4. Set the RSA306:
 - a. Reference Level = **-30 dBm**
 - b. Span = **1 MHz**
 - c. RBW = **1 kHz**
 - d. Detection mode = **+PEAK** (Setup > Settings > Traces > Detection > +PEAK)
 - e. Function = **Avg (Vrms)** (Setup > Settings > Traces > Function)
 - f. Averaging = **10** (Setup > Settings > Traces > Function: count = 10)
 - g. Select **External Reference** (Setup > Acquire > Frequency Reference > External)

1190 MHz IF feedthrough.

5. Set the signal generator to **1190 MHz**.
6. Set the signal generator for **-30 dBm** at the power meter. This is also the amplitude at the input of the RSA306. The generator amplitude will be close to **-24 dBm**.
7. Set the RSA306 to the center frequency shown in the first column of the 1190 MHz IF feedthrough table. (See Table 19 on page 44.)
8. Measure and record the IF feedthrough spur amplitude.

9. Calculate and record the IF feedthrough spur amplitude in dBc (IF amplitude (dBm) +30).
10. Repeat steps 7 through 9 for each center frequency listed in the table. Do not change the signal generator frequency.
11. Record results in the Test record.

Table 19: 1190 MHz IF feedthrough spurious: RSA306 center frequencies

Center frequency, MHz (RSA306)	IF feedthrough spur amplitude, dBm	IF feedthrough spur amplitude, dBc ¹	Specification, dBc (relative to –30 dBm input)
3100 MHz			< –50 dBc
4000 MHz			< –50 dBc
4800 MHz			< –50 dBc
5100 MHz			< –50 dBc
5900 MHz			< –50 dBc

¹ IF feedthrough spur amplitude + 30.

2440 MHz IF feedthrough.

12. Set the signal generator to **2440 MHz**.
13. Set the signal generator for **-30 dBm** at the power meter. This is also the amplitude at the input of the RSA306. The generator amplitude will be close to -24 dBm.
14. Set the RSA306 to the center frequency shown in the first column of the 2440 MHz IF feedthrough table. (See Table 20 on page 44.)
15. Measure and record IF feedthrough spur amplitude.
16. Calculate and record the IF feedthrough spur amplitude in dBc (IF amplitude (dBm) +30).
17. Repeat steps 14 through 16 for each center frequency listed in the table. Do not change the signal generator frequency.
18. Record results in the Test record.

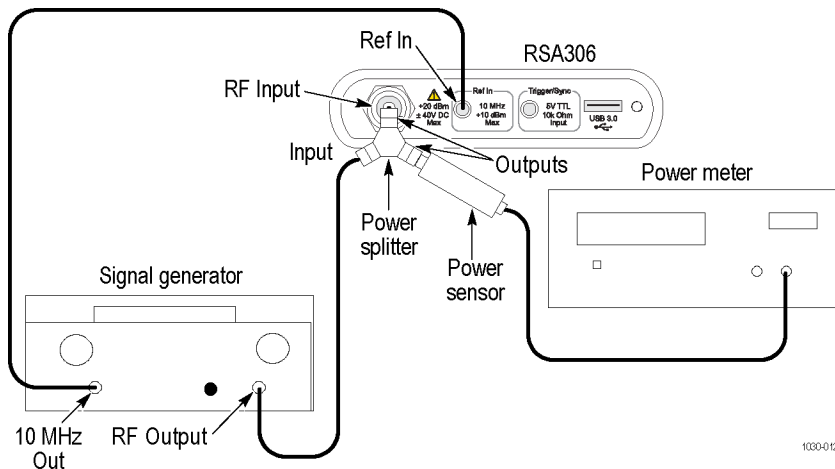
Table 20: 2440 MHz IF feedthrough spurious: RSA306 center frequencies

Center frequency, MHz (RSA306)	IF feedthrough spur amplitude, dBm	IF feedthrough spur amplitude, dBc ¹	Specification, dBc (relative to –30 dBm input)
30 MHz			< –50 dBc
710 MHz			< –50 dBc
4200 MHz			< –50 dBc

¹ IF feedthrough spur amplitude + 30.

Input-related spurious response: RF X 2LO

NOTE. You do not need to do the first three steps (setup, reset, and alignment) when you perform the input-related spurious response tests in sequence.



1. Connect the signal generator, power splitter, power sensor, power meter, and RSA306 as shown. Connect the power sensor and RF signal generator directly to the power splitter, which is connected directly to the RSA306.
2. Reset the RSA306 to factory defaults (**Presets > Main**).
3. Run the RSA306 alignment procedure (**Tools > Alignments > Align Now**).
4. Set the RSA306 as follows:
 - a. Reference Level = **-30 dBm**
 - b. Span = **1 MHz**
 - c. RBW = **1 kHz**
 - d. Detection mode = **+PEAK** (Setup > Settings > Traces > Detection > +PEAK)
 - e. Function = **Avg (Vrms)** (Setup > Settings > Traces > Function)
 - f. Averaging = **10** (Setup > Settings > Traces > Function: count = 10)
 - g. Select **External Reference** (Setup > Acquire > Frequency Reference > External)
5. Set the signal generator for **-30 dBm** at the power meter. This is also the amplitude at the input of the RSA306. The generator amplitude will be close to **-24 dBm**.
6. Set the RSA306 to the center frequency shown in the first column of the RF X 2LO table. (See Table 21 on page 46.)
7. Set the signal generator to the frequency shown in the second column of the RF X 2LO table.
8. Set the signal generator for **-30 dBm** at the power meter.
9. Measure and record the RF X 2LO spur amplitude.
10. Calculate and record the RF X 2LO spur amplitude in dBc (RF X 2LO amplitude (dBm) + 30).

11. Repeat steps 6 through 10 for each center frequency and signal generator frequency listed in the table. Make sure to set the signal generator for **-30 dBm** at the power meter for each frequency change.
12. Record results in the Test record.

NOTE. This table includes the worst RF X 2LO spurs observed on the RSA306.

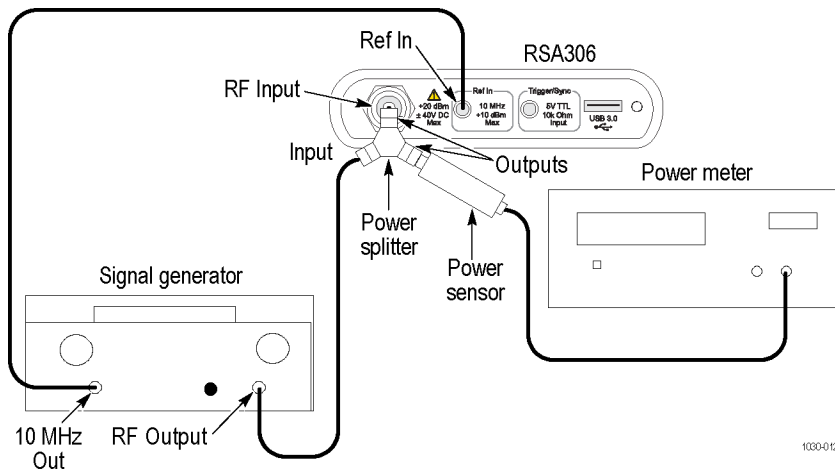
Table 21: RF X 2LO: RSA306 and signal generator frequencies

Center frequency, MHz (RSA306)	Signal generator frequency, MHz	RF X 2LO spur amplitude, dBm	RF X 2LO spur amplitude, dBc ¹	Specification, dBc (relative to -30 dBm input)
1190 MHz	4820 MHz			< -50 dBc
1850 MHz	4890 MHz			< -50 dBc
2330 MHz	5850 MHz			< -50 dBc
4750 MHz	5930 MHz			< -50 dBc
4840 MHz	6110 MHz			< -50 dBc

¹ RF X 2LO spur amplitude + 30.

Input-related spurious response: RF X 3LO

NOTE. You do not need to do the first three steps (setup, reset, and alignment) when you perform the input-related spurious response tests in sequence.



1. Connect the signal generator, power splitter, power sensor, power meter, and RSA306 as shown. Connect the power sensor and RF signal generator directly to the power splitter, which is connected directly to the RSA306.
2. Reset the RSA306 to factory defaults (**Presets > Main**).
3. Run the RSA306 alignment procedure (**Tools > Alignments > Align Now**).
4. Set the RSA306 as follows:
 - a. Reference Level = **-30 dBm**
 - b. Span = **1 MHz**
 - c. RBW = **1 kHz**
 - d. Detection mode = **+PEAK** (Setup > Settings > Traces > Detection > +PEAK)
 - e. Function = **Avg (Vrms)** (Setup > Settings > Traces > Function)
 - f. Averaging = **10** (Setup > Settings > Traces > Function: count = 10)
 - g. Select **External Reference** (Setup > Acquire > Frequency Reference > External)
5. Set the signal generator for **-30 dBm** at the power meter. This is also the amplitude at the input of the RSA306. The generator amplitude will be close to -24 dBm.
6. Set the RSA306 to the center frequency shown in the first column of the RF X 3LO table. (See Table 22 on page 48.)
7. Set the signal generator to the frequency shown in the second column of the RF X 3LO table.
8. Set the signal generator for **-30 dBm** at the power meter.
9. Measure and record the RF X 3LO spur amplitude.
10. Calculate and record the RF X 3LO spur amplitude in dBc (RF X 3LO amplitude (dBm) +30).

11. Repeat steps 6 through 10 for each center frequency and signal generator frequency listed in the table. Make sure to set the signal generator for **-30 dBm** at the power meter for each frequency change.
12. Record results in the Test record.

NOTE. This table includes the worst RF X 3LO spurs observed on the RSA306.

Table 22: RF X 3LO: RSA306 and signal generator frequencies

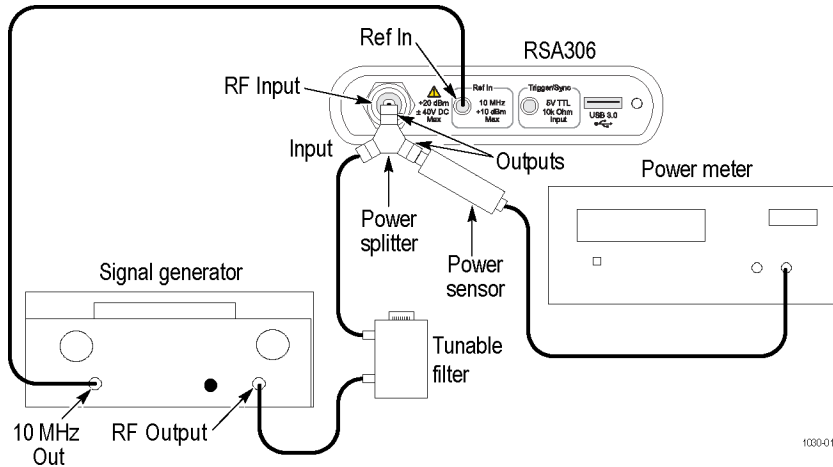
Center frequency, MHz (RSA306)	Signal generator frequency, MHz	RF X 3LO spur amplitude, dBm	RF X 3LO spur amplitude, dBc ¹	Specification, dBc (relative to -30 dBm input)
130 MHz	5270 MHz			< -50 dBc
4210 MHz	2870 MHz			< -50 dBc

¹ RF X 3LO spur amplitude + 30.

Input-related spurious response: Half-IF response

NOTE. You do not need to do the first three steps (setup, reset, and alignment) when you perform the input-related spurious response tests in sequence.

NOTE. The half-IF specification applies when the second harmonic distortion of the signal at the input of the RSA306 is less than -60 dBc. A tunable band pass filter is used to attenuate the second harmonic distortion of the generator.



1. Connect the signal generator, power splitter, power sensor, power meter, tunable band pass filter (K&L 5BT-375/750-5-N/N), and RSA306 as shown. Connect the power sensor and RF signal generator directly to the power splitter, which is connected directly to the RSA306.

NOTE. You will replace the tunable band pass filter with a different range filter later in the procedure.

2. Reset the RSA306 to factory defaults (**Presets > Main**).
3. Run the RSA306 alignment procedure (**Tools > Alignments > Align Now**).
4. Set the RSA306 as follows:
 - a. Reference Level = **-30 dBm**
 - b. Span = **1 MHz**
 - c. RBW = **1 kHz**
 - d. Detection mode = **+PEAK** (Setup > Settings > Traces > Detection > +PEAK)
 - e. Function = **Avg (Vrms)** (Setup > Settings > Traces > Function)
 - f. Averaging = **10** (Setup > Settings > Traces > Function: count = 10)
 - g. Select **External Reference** (Setup > Acquire > Frequency Reference > External)

1190 MHz half-IF.

5. Set the signal generator to **595 MHz**.
6. Set the generator amplitude to **-23 dBm**.
7. Set the tunable band pass filter (K&L 5BT-375/750-5-N/N) near **595 MHz**.
8. Adjust the tunable filter for maximum power on the power meter.
9. Adjust the signal generator output for **-30 dBm** at the power meter. This is also the amplitude at the input of the RSA306. The generator amplitude will be close to -23 dBm.
10. Set the RSA306 to the center frequency shown in the first column of the 1190 MHz half-IF table. (See Table 21 on page 46.)
11. Measure and record the Half-IF spur amplitude.
12. Calculate and record the Half-IF spur amplitude in dBc (Half-IF amplitude (dBm) +30).
13. Repeat steps 10 through 12 for each center frequency listed in the table.
14. Record results in the Test record.

Table 23: 1190 MHz half-IF spurious: RSA306 center frequencies

Center frequency, MHz (RSA306)	Half-IF spur amplitude, dBm	Half-IF spur amplitude, dBc ¹	Specification, dBc (relative to -30 dBm input)
1860 MHz			< -50 dBc
2430 MHz			< -50 dBc
2710 MHz			< -50 dBc
3710 MHz			< -50 dBc
4600 MHz			< -50 dBc
5000 MHz			< -50 dBc
6000 MHz			< -50 dBc

¹ Half-IF spur amplitude + 30.

2440 MHz half-IF.

15. Set the signal generator output to **Off**.
16. Replace the tunable band pass filter with the K&L 5BT-750/1500-5-N/N tunable filter.
17. Set the tunable band pass filter near **1220 MHz**.
18. Set the signal generator output to **On**.
19. Set the signal generator to **1220 MHz**.
20. Set the generator amplitude to **-23 dBm**.
21. Adjust the tunable filter for maximum power on the power meter.
22. Adjust the signal generator output for **-30 dBm** at the power meter. This is also the amplitude at the input of the RSA306. The generator amplitude will be close to -23 dBm.

- 23. Set the RSA306 to the center frequency shown in the first column of the 2440 MHz half-IF table. (See Table 24 on page 51.)
- 24. Measure and record the Half-IF spur amplitude.
- 25. Calculate and record the Half-IF spur amplitude in dBc (Half-IF amplitude (dBm) +30).
- 26. Repeat steps 23 through 25 for each center frequency listed in the table.
- 27. Record results in the Test record.

Table 24: 2440 MHz half-IF spurious: RSA306 center frequencies

Center frequency, MHz (RSA306)	Half-IF spur amplitude, dBm	Half-IF spur amplitude, dBc ¹	Specification, dBc (relative to -30 dBm input)
30 MHz			< -50 dBc
710 MHz			< -50 dBc
4200 MHz			< -50 dBc

¹ Half-IF spur amplitude + 30.

6. Set the signal generator frequency to **2785 MHz**.
7. Set the signal generator amplitude to **-23 dBm**.
8. Set the tunable band pass filter (K&L 5BT-1500/3000-5-N/N) near **2785 MHz**.
9. Adjust the tunable filter for maximum power on the power meter.
10. Set the signal generator output to **-30 dBm** at the power meter. This is also the amplitude at the input of the RSA306. The generator amplitude will be close to -23 dBm.
11. Measure and record the 2RF X 2LO spur amplitude for these settings. (See Table 25 on page 53.)
12. Calculate and record the 2RF X 2LO spur amplitude in dBc (2RF X 2LO spur amplitude (dBm + 30)).
13. Set the signal generator output to **Off**.
14. Disconnect the tunable band pass filter and install the **3300 MHz cutoff, L250** low pass filter in its place (K&L 5L3-3300/E 10000 – O/OP).
15. Set the signal generator output to **On**.
16. Set the RSA306 to **2870 MHz** center frequency.
17. Set the signal generator frequency to **4655 MHz**.
18. Set the signal generator output to **-30 dBm** at the power meter. This is also the amplitude at the input of the RSA306. The generator amplitude will be close to -23 dBm.
19. Measure and record the 2RF X 2LO spur amplitude for these settings. (See Table 25 on page 53.)
20. Calculate and record the 2RF X 2LO spur amplitude in dBc (2RF X 2LO spur amplitude (dBm + 30)).
21. Record results in the Test record.

NOTE. This table includes the worst 2RF X 2LO spurs observed on the RSA306.

Table 25: 2RF X 2LO: RSA306 and signal generator frequencies

Center frequency, MHz (RSA306)	Signal generator frequency, MHz	2RF X 2LO spur amplitude, dBm	2RF X 2LO spur amplitude, dBc ¹	Specification, dBc (relative to -30 dBm input)
2190 MHz	2785 MHz			< -50 dBc
2870 MHz	4655 MHz			< -50 dBc

¹ 2RF X 2LO spur amplitude + 30.

Test record

Print out the following test record pages and use them to record the performance test results for the RSA306 spectrum analyzer.

Table 26: Test record: RSA306

Instrument Serial Number:

Certificate Number:

Temperature:

RH %:

Date of Calibration:

Technician:

Frequency accuracy			
Measured Frequency (1 GHz CF)	Instability measured, ppm [(Marker Frequency – 1E9)/1000]	Total specified Instability (aging plus other drift)	Pass/Fail
External reference			
Phaselock to 10 MHz, 0 dBm			Pass/Fail
Amplitude accuracy			
Reference level	Error, dB	Specification, dB	Pass/Fail
+20 dBm < 3 GHz		±2.0 dB	
+20 dBm > 3 GHz		±2.75 dB	
+0 dBm < 3 GHz		±2.0 dB	
+0 dBm > 3 GHz		±2.75 dB	
–13 dBm < 3 GHz		±2.0 dB	
–13 dBm > 3 GHz		±2.75 dB	
–30 dBm < 3 GHz		±2.0 dB	
–30 dBm > 3 GHz		±2.75 dB	
Channel amplitude flatness			
Center Frequency	Peak Error, dB	Specification, dB	Pass/Fail
22 MHz		< ±1 dB	
1280 MHz		< ±1 dB	
2160 MHz		< ±1 dB	

DANL			
Center frequency	Measurement, dBc	Specification, dB	Pass/Fail
100 kHz		< -130 dBm/Hz	
1 MHz		< -130 dBm/Hz	
10 MHz		< -130 dBm/Hz	
20 MHz		< -130 dBm/Hz	
22 MHz		< -160 dBm/Hz	
100 MHz		< -160 dBm/Hz	
500 MHz		< -160 dBm/Hz	
1 GHz		< -160 dBm/Hz	
1.5 GHz		< -158 dBm/Hz	
2.0 GHz		< -158 dBm/Hz	
2.5 GHz		< -155 dBm/Hz	
3.0 GHz		< -155 dBm/Hz	
3.5 GHz		< -155 dBm/Hz	
4.0 GHz		< -155 dBm/Hz	
4.5 GHz		< -150 dBm/Hz	
5.0 GHz		< -150 dBm/Hz	
5.5 GHz		< -150 dBm/Hz	
6.0 GHz		< -150 dBm/Hz	
6.2 GHz		< -150 dBm/Hz	
Phase noise at 1 GHz center frequency			
Phase noise offset frequency	Phase noise, dBc/Hz	Specification, dBc/Hz	Pass/Fail
1 kHz		< -85 dBc/Hz	
10 kHz		< -84 dBc/Hz	
100 kHz		< -90 dBc/Hz	
1 MHz		< -118 dBc/Hz	
Third Order intermodulation distortion at 2130 MHz center frequency			
Test	Measurement	Specification, dBc	Pass/Fail
IMD		< -60 dBc	

Spurious response: ADC images				
Test	Measurement, dBc	Specification, dBc	Pass/Fail	Notes
LF ADC Image at 40 MHz CF		< -50 dBc		
RF ADC Image at 159.8 MHz CF		< -50 dBc		Only record the largest value measurement; see test instructions.
RF ADC Image at 120.2 MHz CF		< -50 dBc		Only record the largest value measurement; see test instructions.
Spurious response: Second convertor images				
Test	Measurement, dBc	Specification, dBc	Pass/Fail	
2440 IF1 Image at 1 GHz CF		< -50 dBc		
1190 IF1 Image at 2 GHz CF		< -50 dBc		
Spurious response: First converter images				
Center frequency	Image frequency	Image Spur Amplitude, dBc	Specification	Pass/Fail
22 MHz	4902 MHz		< -50 dBc	
690 MHz	5570 MHz		< -50 dBc	
700 MHz	5580 MHz		< -50 dBc	
1320 MHz	6200 MHz		< -50 dBc	
1850 MHz	4230 MHz		< -50 dBc	
2690 MHz	5070 MHz		< -50 dBc	
2700 MHz	5080 MHz		< -50 dBc	
3690 MHz	6070 MHz		< -50 dBc	
4200 MHz	680 MHz		< -50 dBc	
4750 MHz	2370 MHz		< -50 dBc	
4950 MHz	2570 MHz		< -50 dBc	
4960 MHz	2580 MHz		< -50 dBc	
5700 MHz	3320 MHz		< -50 dBc	
6200 MHz	3820 MHz		< -50 dBc	

Spurious response: IF feedthrough 1990 MHz			
Center frequency, MHz	IF feedthrough spurious amplitude, dBc	Specification, dBc (relative to -30 dBm input)	Pass/Fail
3100 MHz		< -50 dBc	
4000 MHz		< -50 dBc	
4800 MHz		< -50 dBc	
5100 MHz		< -50 dBc	
5900 MHz		< -50 dBc	
5810 MHz		< -50 dBc	
Spurious response: IF feedthrough 2440 MHz			
Center frequency, MHz	IF feedthrough spurious amplitude, dBc	Specification, dBc (relative to -30 dBm input)	Pass/Fail
30 MHz		< -50 dBc	
710 MHz		< -50 dBc	
4200 MHz		< -50 dBc	
Spurious response: RF X 2LO			
Center frequency, MHz	Generator frequency, MHz	RF X 2LO spur amplitude, dBc	Specification, dBc (relative to -30 dBm input) Pass/Fail
1190 MHz	4820 MHz		< -50 dBc
1850 MHz	4890		< -50 dBc
2330 MHz	5850 MHz		< -50 dBc
4750 MHz	5930 MHz		< -50 dBc
4840 MHz	6110 MHz		< -50 dBc
Spurious response: RF X 3LO			
Center frequency, MHz	Generator frequency, MHz	RF X 2LO spur amplitude, dBc	Specification, dBc (relative to -30 dBm input) Pass/Fail
130 MHz	5270 MHz		< -50 dBc
4210 MHz	2870 MHz		< -50 dBc

Spurious response: Half-IF, 1190 MHz				
Center frequency, MHz	Half-IF spurious amplitude, dBc	Specification, dBc (relative to -30 dBm input)	Pass/Fail	
1860 MHz		< -50 dBc		
2430 MHz		< -50 dBc		
2710 MHz		< -50 dBc		
3710 MHz		< -50 dBc		
4600 MHz		< -50 dBc		
5000 MHz		< -50 dBc		
6000 MHz		< -50 dBc		
Spurious response: Half-IF, 2240 MHz				
Center frequency, MHz	Half-IF spurious amplitude, dBc	Specification, dBc (relative to -30 dBm input)	Pass/Fail	
30 MHz		< -50 dBc		
710 MHz		< -50 dBc		
4200 MHz		< -50 dBc		
Spurious response: 2RF X 2LO				
Center frequency, MHz	Generator frequency, MHz	2RF X 2LO spur amplitude, dBc	Specification, dBc (relative to -30 dBm input)	Pass/Fail
2190 MHz	2785 MHz		< -50 dBc	
2870 MHz	4655 MHz		< -50 dBc	