

# Service Manual



## **RSA3408B** **8 GHz Real-Time Spectrum Analyzer** **071-2366-01**

This document applies to firmware version 4.0 and above.

### **Warning**

The servicing instructions are for use by qualified personnel only. To avoid personal injury, do not perform any servicing unless you are qualified to do so. Refer to all safety summaries prior to performing service.

**[www.tektronix.com](http://www.tektronix.com)**

Copyright © Tektronix. All rights reserved. Licensed software products are owned by Tektronix or its subsidiaries or suppliers, and are protected by national copyright laws and international treaty provisions.

Tektronix products are covered by U.S. and foreign patents, issued and pending. Information in this publication supercedes that in all previously published material. Specifications and price change privileges reserved.

TEKTRONIX and TEK are registered trademarks of Tektronix, Inc.

## **Contacting Tektronix**

Tektronix, Inc.  
14200 SW Karl Braun Drive  
P.O. Box 500  
Beaverton, OR 97077  
USA

For product information, sales, service, and technical support:

- In North America, call 1-800-833-9200.
- Worldwide, visit [www.tektronix.com](http://www.tektronix.com) to find contacts in your area.

## **Warranty 2**

Tektronix warrants that this product will be free from defects in materials and workmanship for a period of one (1) year from the date of shipment. If any such product proves defective during this warranty period, Tektronix, at its option, either will repair the defective product without charge for parts and labor, or will provide a replacement in exchange for the defective product. Parts, modules and replacement products used by Tektronix for warranty work may be new or reconditioned to like new performance. All replaced parts, modules and products become the property of Tektronix.

In order to obtain service under this warranty, Customer must notify Tektronix of the defect before the expiration of the warranty period and make suitable arrangements for the performance of service. Customer shall be responsible for packaging and shipping the defective product to the service center designated by Tektronix, with shipping charges prepaid. Tektronix shall pay for the return of the product to Customer if the shipment is to a location within the country in which the Tektronix service center is located. Customer shall be responsible for paying all shipping charges, duties, taxes, and any other charges for products returned to any other locations.

This warranty shall not apply to any defect, failure or damage caused by improper use or improper or inadequate maintenance and care. Tektronix shall not be obligated to furnish service under this warranty a) to repair damage resulting from attempts by personnel other than Tektronix representatives to install, repair or service the product; b) to repair damage resulting from improper use or connection to incompatible equipment; c) to repair any damage or malfunction caused by the use of non-Tektronix supplies; or d) to service a product that has been modified or integrated with other products when the effect of such modification or integration increases the time or difficulty of servicing the product.

**THIS WARRANTY IS GIVEN BY TEKTRONIX WITH RESPECT TO THE PRODUCT IN LIEU OF ANY OTHER WARRANTIES, EXPRESS OR IMPLIED. TEKTRONIX AND ITS VENDORS DISCLAIM ANY IMPLIED WARRANTIES OF MERCHANTABILITY OR FITNESS FOR A PARTICULAR PURPOSE. TEKTRONIX' RESPONSIBILITY TO REPAIR OR REPLACE DEFECTIVE PRODUCTS IS THE SOLE AND EXCLUSIVE REMEDY PROVIDED TO THE CUSTOMER FOR BREACH OF THIS WARRANTY. TEKTRONIX AND ITS VENDORS WILL NOT BE LIABLE FOR ANY INDIRECT, SPECIAL, INCIDENTAL, OR CONSEQUENTIAL DAMAGES IRRESPECTIVE OF WHETHER TEKTRONIX OR THE VENDOR HAS ADVANCE NOTICE OF THE POSSIBILITY OF SUCH DAMAGES.**



# Table of Contents

<b>General Safety Summary</b> .....	<b>vii</b>
<b>Service Safety Summary</b> .....	<b>ix</b>
<b>Preface</b> .....	<b>xi</b>
Manual Structure .....	xi
Manual Conventions .....	xii
Related Documentation .....	xii
<b>Introduction</b> .....	<b>xiii</b>
Performance Check Interval .....	xiii
Strategy for Servicing .....	xiii

## Specifications

### Theory of Operation

RF Input .....	2-1
Down Converter .....	2-1
Digital Signal Processing .....	2-3
Power Supply .....	2-4
External Interface .....	2-5

## Performance Verification

<b>Performance Verification Procedures</b> .....	<b>3-1</b>
Conventions .....	3-2
<b>Brief Procedures</b> .....	<b>3-3</b>
Functional Tests .....	3-4
Diagnostics .....	3-8
<b>Performance Tests</b> .....	<b>3-9</b>
Prerequisites .....	3-10
Equipment Required .....	3-10
Auto Tests .....	3-12
Frequency Checks .....	3-21
Noise Sideband Checks .....	3-25
Amplitude Checks .....	3-28
Spurious Response Checks .....	3-40
Test Record .....	3-52

## Adjustment Procedures

Requirements for Performance .....	4-1
Equipment Required .....	4-2
Preparation .....	4-3
Self Calibration .....	4-16
Auto Calibration .....	4-20
Reconfiguration of RF Modules .....	4-33

## Maintenance

Related Maintenance Procedures .....	5-1
Preparation .....	5-2
Inspection and Cleaning .....	5-4
<b>Removal and Installation Procedures .....</b>	<b>5-7</b>
Preparation .....	5-7
Access Procedure .....	5-21
Procedures for External Modules .....	5-22
Procedures for RF Modules .....	5-27
Procedures for CPU Board and Disk Modules .....	5-31
Procedures for Motherboard and Daughterboards .....	5-41
Procedures for Power Supply Modules on the Instrument Bottom .....	5-46
Procedures for RF1 Modules on the Instrument Bottom .....	5-51
Procedures for Front Panel Modules .....	5-56
Procedures for Chassis Modules .....	5-62
<b>Troubleshooting .....</b>	<b>5-67</b>
Troubleshooting Procedure .....	5-67
Symptoms and Faulty Modules .....	5-78
Required Adjustments After Replacing Modules .....	5-80

## Diagrams

### Replaceable Parts List

Parts Ordering Information .....	7-1
Using the Replaceable Parts List .....	7-3

# List of Figures

<b>Figure 3-1: Spectrum of the calibration signal (100 MHz, -20 dBm)</b>	<b>3-5</b>
<b>Figure 3-2: Setup display</b>	<b>3-6</b>
<b>Figure 3-3: Reference level setting and Overrange indicator</b>	<b>3-7</b>
<b>Figure 3-4: Spectrogram display</b>	<b>3-7</b>
<b>Figure 3-5: Diagnostic screen</b>	<b>3-8</b>
<b>Figure 3-6: Auto test initial screen</b>	<b>3-12</b>
<b>Figure 3-7: Performance test result display</b>	<b>3-16</b>
<b>Figure 3-8: Hookup for calibrating the power sensor</b>	<b>3-29</b>
<b>Figure 3-9: Hookup for setting the signal generator output</b>	<b>3-29</b>
<b>Figure 3-10: Hookup for checking the absolute amplitude accuracy</b>	<b>3-30</b>
<b>Figure 4-1: Hookup for storing the cal factors in the power meter</b>	<b>4-5</b>
<b>Figure 4-2: Initial test hookup</b>	<b>4-7</b>
<b>Figure 4-3: Hookup for calibrating the power sensor</b>	<b>4-9</b>
<b>Figure 4-4: Initial test hookup</b>	<b>4-10</b>
<b>Figure 4-5: Hookup for calibrating the power sensor</b>	<b>4-12</b>
<b>Figure 4-6: UNCAL display</b>	<b>4-16</b>
<b>Figure 4-7: Calibration menu</b>	<b>4-17</b>
<b>Figure 4-8: Center offset</b>	<b>4-18</b>
<b>Figure 4-9: DC offset</b>	<b>4-19</b>
<b>Figure 4-10: Auto calibration initial screen</b>	<b>4-20</b>
<b>Figure 4-11: Test hookup</b>	<b>4-34</b>
<b>Figure 4-12: Test hookup</b>	<b>4-35</b>
<b>Figure 5-1: Analyzer orientation</b>	<b>5-11</b>
<b>Figure 5-2: External modules</b>	<b>5-12</b>
<b>Figure 5-3: RF modules</b>	<b>5-13</b>
<b>Figure 5-4: CPU board and disk modules</b>	<b>5-14</b>
<b>Figure 5-5: Removable hard disk modules (Option 06)</b>	<b>5-15</b>
<b>Figure 5-6: Motherboard and daughterboards</b>	<b>5-16</b>
<b>Figure 5-7: Bottom modules - Power supply</b>	<b>5-17</b>
<b>Figure 5-8: Bottom modules - RF1</b>	<b>5-18</b>
<b>Figure 5-9: Front panel modules</b>	<b>5-19</b>
<b>Figure 5-10: Chassis modules</b>	<b>5-20</b>
<b>Figure 5-11: Guide to removal procedures</b>	<b>5-21</b>
<b>Figure 5-12: Line cord and cabinet removal</b>	<b>5-23</b>

Figure 5-13: Front cushion removal .....	5-24
Figure 5-14: Cabinet modules removal .....	5-26
Figure 5-15: RF modules removal .....	5-29
Figure 5-16: CPU board removal .....	5-32
Figure 5-17: Disk module removal .....	5-34
Figure 5-18: Hard drive cartridge removal .....	5-37
Figure 5-19: Hard disk drive removal .....	5-38
Figure 5-20: Outside HDD bracket assembly removal .....	5-39
Figure 5-21: Disk unit removal .....	5-40
Figure 5-22: Daughter boards removal .....	5-43
Figure 5-23: Motherboard removal .....	5-45
Figure 5-24: Power supply 1 and 2 removal .....	5-47
Figure 5-25: Power supply modules removal .....	5-49
Figure 5-26: RF1 modules removal - 1 .....	5-52
Figure 5-27: RF1 modules removal - 2 .....	5-54
Figure 5-28: Front panel assembly removal .....	5-57
Figure 5-29: Front panel modules removal .....	5-58
Figure 5-30: LCD display removal .....	5-61
Figure 5-31: Fan and side panel removal .....	5-63
Figure 5-32: Board guide bracket removal .....	5-64
Figure 5-33: Rear panel removal .....	5-65
Figure 5-34: Troubleshooting procedure 1 — Power supply system	5-68
Figure 5-35: Troubleshooting procedure 2 — Display and CPU system .....	5-69
Figure 5-36: Troubleshooting procedure 3 — Signal path .....	5-70
Figure 5-37: Top view of the instrument for cable interconnection .	5-75
Figure 5-38: Bottom view the instrument for cable interconnection	5-76
Figure 5-39: A70 DC power supply board .....	5-78
Figure 6-1: Block diagram .....	6-3
Figure 6-2: Interconnect diagram .....	6-5
Figure 7-1: External modules .....	7-5
Figure 7-2: Front-panel assembly - 1 .....	7-7
Figure 7-3: Front-panel assembly - 2 .....	7-9
Figure 7-4: RF modules .....	7-11
Figure 7-5: Motherboard and daughterboards .....	7-13
Figure 7-6: Disk modules .....	7-15
Figure 7-7: Disk modules (Option 06) - 1 .....	7-17



<b>Figure 7-8: Disk modules (Option 06) - 2</b> .....	<b>7-19</b>
<b>Figure 7-9: Bottom modules - Power supply</b> .....	<b>7-21</b>
<b>Figure 7-10: Bottom modules - RF1</b> .....	<b>7-23</b>
<b>Figure 7-11: Chassis modules - 1</b> .....	<b>7-25</b>
<b>Figure 7-12: Chassis modules - 2</b> .....	<b>7-27</b>
<b>Figure 7-13: Rackmount</b> .....	<b>7-29</b>

## List of Tables

<b>Table 3-1: Span and RBW</b> .....	<b>3-6</b>
<b>Table 3-2: Internal diagnostic program</b> .....	<b>3-8</b>
<b>Table 3-3: Test equipment</b> .....	<b>3-10</b>
<b>Table 3-4: Test item selection</b> .....	<b>3-13</b>
<b>Table 3-5: Procedure for failed test item</b> .....	<b>3-19</b>
<b>Table 3-6: Level linearity test result</b> .....	<b>3-39</b>
<b>Table 3-7: Spurious measurement</b> .....	<b>3-51</b>
<b>Table 4-1: Test equipment</b> .....	<b>4-2</b>
<b>Table 4-2: Compatibility of the spurious correction file</b> .....	<b>4-15</b>
<b>Table 4-3: Calibration items</b> .....	<b>4-21</b>
<b>Table 5-1: Relative susceptibility to static-discharge damage</b> .....	<b>5-3</b>
<b>Table 5-2: External inspection check list</b> .....	<b>5-5</b>
<b>Table 5-3: Internal inspection check list</b> .....	<b>5-6</b>
<b>Table 5-4: Summary of procedures</b> .....	<b>5-9</b>
<b>Table 5-5: Tools required for module removal</b> .....	<b>5-10</b>
<b>Table 5-6: Normal supply voltages</b> .....	<b>5-77</b>
<b>Table 5-7: Test point voltages on A70</b> .....	<b>5-78</b>
<b>Table 5-8: Symptoms and faulty modules</b> .....	<b>5-79</b>

# General Safety Summary

Review the following safety precautions to avoid injury and prevent damage to this product or any products connected to it. To avoid potential hazards, use this product only as specified.

*Only qualified personnel should perform service procedures.*

## **To Avoid Fire or Personal Injury**

**Use Proper Power Cord.** Use only the power cord specified for this product and certified for the country of use.

**Connect and Disconnect Properly.** Do not connect or disconnect probes or test leads while they are connected to a voltage source.

**Ground the Product.** This product is grounded through the grounding conductor of the power cord. To avoid electric shock, the grounding conductor must be connected to earth ground. Before making connections to the input or output terminals of the product, ensure that the product is properly grounded.

**Observe All Terminal Ratings.** To avoid fire or shock hazard, observe all ratings and markings on the product. Consult the product manual for further ratings information before making connections to the product.

**Power Disconnect.** The power switch disconnects the product from the power source. See instructions for the location. Do not block the power switch; it must remain accessible to the user at all times.

**Do Not Operate Without Covers.** Do not operate this product with covers or panels removed.

**Avoid Exposed Circuitry.** Do not touch exposed connections and components when power is present.

**Do Not Operate With Suspected Failures.** If you suspect there is damage to this product, have it inspected by qualified service personnel.

**Do Not Operate in Wet/Damp Conditions.**

**Do Not Operate in an Explosive Atmosphere.**

**Keep Product Surfaces Clean and Dry.**

**Provide Proper Ventilation.** Refer to the manual's installation instructions for details on installing the product so it has proper ventilation.

**Symbols and Terms**

**Terms in this Manual.** These terms may appear in this manual:



---

**WARNING.** *Warning statements identify conditions or practices that could result in injury or loss of life.*

---



---

**CAUTION.** *Caution statements identify conditions or practices that could result in damage to this product or other property.*

---

**Terms on the Product.** These terms may appear on the product:

DANGER indicates an injury hazard immediately accessible as you read the marking.

WARNING indicates an injury hazard not immediately accessible as you read the marking.

CAUTION indicates a hazard to property including the product.

**Symbols on the Product.** The following symbols may appear on the product:



Protective Ground  
(Earth) Terminal



CAUTION  
Refer to Manual



Mains Disconnected  
OFF (Power)



Mains Connected  
ON (Power)

# Service Safety Summary

Only qualified personnel should perform service procedures. Read this *Service Safety Summary* and the *General Safety Summary* before performing any service procedures.

**Do Not Service Alone.** Do not perform internal service or adjustments of this product unless another person capable of rendering first aid and resuscitation is present.

**Disconnect Power.** To avoid electric shock, switch off the instrument power, and then disconnect the power cord from the mains power.

**Use Care When Servicing With Power On.** Dangerous voltages or currents may exist in this product. Disconnect power, remove battery (if applicable), and disconnect test leads before removing protective panels, soldering, or replacing components.

To avoid electric shock, do not touch exposed connections.



# Preface

This is the service manual for the RSA3408B 8 GHz Real-Time Spectrum Analyzer. This manual contains information needed to service the analyzer to the module level.

## Manual Structure

This manual is divided into sections, such as *Specifications* and *Theory of Operation*. Further, some sections are divided into subsections, such as *Product Description* and *Removal and Installation Procedures*.

Sections containing procedures also contain introductions to those procedures. Be sure to read these introductions because they provide information needed to do the service correctly and efficiently. The manual section name and a brief description of each is given below.

- *Specifications* contains a statement referring you to the *RSA3408B Technical Reference*.
- *Theory of Operation* contains circuit descriptions that support service to the module level.
- *Performance Verification* contains procedures for confirming that the analyzer functions properly and meets warranted limits.
- *Adjustment Procedures* contains procedures for adjusting the analyzer to meet warranted limits.
- *Maintenance* contains information and procedures for performing preventive and corrective maintenance of the analyzer. These instructions include cleaning, module removal and installation, and fault isolation to the module.
- *Diagrams* contains a block diagram and an interconnection diagram.
- *Replaceable Parts List* includes a table of all replaceable modules, their descriptions, and their Tektronix part numbers.

## Manual Conventions

This manual uses certain conventions that you should become familiar with.

Some sections of the manual contain procedures for you to perform. To keep those instructions clear and consistent, this manual uses the following conventions:

- Names of front panel controls and menus appear in the same case (initial capital) in the manual as is used on the analyzer front panel and menus; for example, Span, Trig, and Select.
- Instruction steps are numbered unless there is only one step.

**Modules** Throughout this manual, any replaceable component, assembly, or part of the analyzer is referred to generically as a module. In general, a module is an assembly (like a circuit board), rather than a component (like a resistor or an integrated circuit). Sometimes a single component is a module; for example, the chassis of the analyzer is a module.

**Safety** Symbols and terms related to safety appear in the *Safety Summary* near the beginning of this manual.

## Related Documentation

Other documentation for the RSA3408B analyzer includes:

- The *RSA3408B User Manual* contains a tutorial to quickly describe how to operate the analyzer. It also includes an in-depth discussion on how to more completely use the analyzer features.
- The *RSA3000B Series Programmer Manual* explains how to use the GPIB interface to remotely control the analyzer.



# Introduction

This manual contains information needed to properly service the RSA3408B 8 GHz Real-Time Spectrum Analyzer as well as general information critical to safe and effective servicing.

To prevent personal injury or damage to the analyzer, consider the following before attempting service:

- The procedures in this manual should be performed only by a qualified service person.
- Read the *General Safety Summary* and the *Service Safety Summary*, beginning on page vii.
- Read the *RSA3408B User Manual* (Tektronix part number 071-2364-xx) for operating information.

When using this manual for servicing, be sure to follow all warnings, cautions, and notes.

## Performance Check Interval

Generally, the performance check described in section 3, *Performance Verification*, should be done every 12 months. In addition, performance check is recommended after module replacement.

If the analyzer does not meet performance criteria, repair is necessary.

## Strategy for Servicing

Throughout this manual, the term “module” refers to any field-replaceable component, assembly, or part of the analyzer.

This manual contains all the information needed for periodic maintenance of the analyzer. (Examples of such information are procedures for checking performance.)

Further, it contains all information for corrective maintenance down to the module level. To isolate a failure to a module, use the fault isolation procedures found in *Troubleshooting*, part of section 5, *Maintenance*. To remove and replace any failed module, follow the instructions in *Removal and Installation Procedures*, also part of section 5. After isolating a faulty module, replace it with a fully-tested module obtained from the factory. Section 7, *Replaceable Parts List*, contains part number and ordering information for all replaceable modules.



# Specifications

The specifications for this instrument are available on the Documents CD (Tektronix part number 063-4089-xx) that shipped with your product. Look for the *RSA3408B 8 GHz Real-Time Spectrum Analyzer Specifications and Performance Verification Technical Reference* PDF (Tektronix part number 071-2480-xx), available on this disk. For the most current documentation, refer to the Tektronix Web site ([www.tektronix.com](http://www.tektronix.com)).



# Theory of Operation

This section describes the electrical operation of the RSA3408B analyzer using the major circuit blocks or modules shown in Figure 6-1 on page 6-3.

## RF Input

The RF input circuit block consists of a relay for signal switching (Input Relay), Step Attenuator, Programmable Bandpass Filter, and a control circuit for these components. This block adjusts the level of input signal as appropriate in accordance with reference level settings, and sends the signal to the 1<sup>st</sup> converter.

Input Relay located just after the RF INPUT connector is for calibration signal switching. It switches to pass the internal calibration signal when self gain-calibration or IF flatness calibration is selected. The step attenuator that follows is a programmable attenuator of 5 dB/step. It attenuates an input signal up to 55 dB. Band Relay switches signal paths between the RF1 band and the RF2/RF3 band.

In the RF2 and RF3 bands, bandwidth of the signal is limited by the Programmable Bandpass Filter (BPF) to avoid occurrence of images and/or spurious signals. This Programmable BPF is able to adjust its center frequency in the range of 3.5 GHz to 8 GHz, and adjustment to the center frequency is achieved with the current output from the A100 Cal Generator board. In a same way, the attenuator and relays are controlled with currents from the A100 board.

On the A100 Cal Generator board, various components are installed, such as: a group of registers to save the setup data from Hardware Controller, driver circuits for attenuator and relays, D/A converter circuit for generation of tuning current to Programmable BPF, ALC circuit to maintain the amplitude of the calibration signal at a constant level, IQ modulator for IF flatness calibration, and other components.

## Down Converter

**RF3 Module** The RF3 module contains the 1<sup>st</sup> Converter, 1<sup>st</sup> Local Oscillator, 1<sup>st</sup> IF Amplifier, and other components. After level adjustment in the RF input circuit, the input signal is applied to the 1<sup>st</sup> Converter. Mixed with 1<sup>st</sup> LO signal, the input signal is frequency-converted into 1<sup>st</sup> IF signal of approximately 4231 MHz. Oscillation frequency of 1<sup>st</sup> Local Oscillator is controlled with a synthesizer (RF4 module) in this case, so that 1<sup>st</sup> IF signal is always maintained at approximately 4231 MHz. After this, the 1<sup>st</sup> IF signal passes through the 1<sup>st</sup> IF Amplifier that has a gain of approximately 17 dB, and is sent to the 2<sup>nd</sup> Converter (RF2 module).

In the baseband, an input signal enters the 1<sup>st</sup> Converter. Then the signal path is switched with a relay and the signal is sent directly to the A10 A/D board for A/D conversion. In the RF1 band, an input signal goes through all converters (1<sup>st</sup>, 2<sup>nd</sup>, and 3<sup>rd</sup>). In the RF2 and RF3 bands, an input signal is directly frequency-converted by the 1<sup>st</sup> Converter into the 2<sup>nd</sup> IF signal of approximately 421 MHz, then sent directly to the 3<sup>rd</sup> Converter, bypassing the 2<sup>nd</sup> Converter.

### **RF2 Module**

The RF2 module consists of the 2<sup>nd</sup> Converter, 2<sup>nd</sup> IF Filter, and 2<sup>nd</sup> Local Oscillator (LO). The 1<sup>st</sup> IF signal sent from the 1<sup>st</sup> Converter passes through a Bandpass Filter and a Lowpass Filter for removal of unnecessary frequency bands. After this, the 1<sup>st</sup> IF signal enters the 2<sup>nd</sup> Converter. In the 2<sup>nd</sup> Converter, the 1<sup>st</sup> IF signal is mixed with the 2<sup>nd</sup> LO signal and frequency-converted into the 2<sup>nd</sup> IF signal of approximately 421 MHz.

The same is true of 1<sup>st</sup> LO; the 2<sup>nd</sup> LO frequency is controlled by a synthesizer circuit (RF4 module) to stabilize the LO output frequency. The 2<sup>nd</sup> IF signal is sent to the 2<sup>nd</sup> IF Filter, which has two filters with the pass bandwidth of 40 MHz and 4 MHz, respectively.

### **RF5 Module**

The RF5 module consists of the 3<sup>rd</sup> Converter and the 3<sup>rd</sup> IF Gain block. In the 3<sup>rd</sup> converter, the signal is mixed with the 3<sup>rd</sup> LO signal and then frequency-converted into the 3<sup>rd</sup> IF signal of 76 MHz normally, which is changed to 39 MHz in an ACLR measurement with the sweep mode. In the RF2 and RF3 bands, the 2<sup>nd</sup> IF signal from the RF2 module enters the band switching relay in the input section of the 3<sup>rd</sup> Converter.

The 3<sup>rd</sup> IF Gain block consists of a Step Amplifier of 12 dB/step with the maximum gain of 60 dB and a Step Attenuator with the maximum attenuation of 31 dB. This block maintains the 3<sup>rd</sup> IF signal to be sent to A/D Converter at an appropriate level, and adjusts the accuracy of conversion gain.

### **RF6 Module**

The RF6 module consists of the 3<sup>rd</sup> IF Filter block, Oscillator block, and 10 MHz Reference Oscillator. The 3<sup>rd</sup> IF signal enters the 3<sup>rd</sup> IF Filter containing two filters with the pass bandwidth of 40 MHz for 76 MHz IF and 1.2 MHz for 38 MHz IF, respectively, which are software-selectable.

The Oscillator block contains the 3<sup>rd</sup> local oscillator with the local frequency of 345 MHz for 76 MHz IF or 383 MHz for 38 MHz IF, and A/D clock with the clock frequency of 102.4 MHz. Both the 3<sup>rd</sup> LO signal and A/D clock signal generated in the Oscillator block are highly stabilized signals locked with a 10 MHz reference signal, and are output to the 3<sup>rd</sup> Converter and A10 A/D board, respectively.

The 10 MHz Reference Oscillator is configured around an OCXO (Oven Controlled Crystal Oscillator) with extremely high frequency stability. It is used as the reference clock source for all the oscillators including the frequency synthesizer circuits. Circuits such as the input circuit of external 10 MHz reference signal, internal/external reference switching circuit, and 10 MHz reference output circuit are also contained in the RF6 module.

**RF4 Module** The RF4 module is comprised of synthesizer circuits. The synthesizer consists of multiple PLL Oscillator units of low noise type locked with the 10 MHz reference signal. By changing the oscillation frequency of these PLL Oscillator in fine steps, 1<sup>st</sup> LO frequency can be tuned in the range of 4 GHz to 8 GHz while maintaining a good level of C/N.

The synthesizer also contains a circuit for generation of a 400 MHz signal to be used as the reference for the calibration signal, PLL circuitry of the 2<sup>nd</sup> Local Oscillator, a circuit for generation of DDS signal to be used as the reference signal for the 3<sup>rd</sup> Local Oscillator, and other components.

## Digital Signal Processing

**A10 A/D Board** Analog signals such as the IF signal sent from the Down Converter block are converted into digital format with a high-speed, high-accuracy A/D converter, and sent to the A42 DIFP board via the A50 Mother board. The A/D board contains input circuits for three analog signals: IF signal, baseband signal, and external IQ signal (optional). Each input circuit is equipped with a Buffer Amplifier, a Step Amplifier, and a Step Attenuator to maintain the signal level as appropriate, as well as a Lowpass Filter for removal of signal components within unnecessary frequency bands.

**A42 DIFP Board** The A42 DIFP (Digital Intermediate Frequency Processor) board consists of an IQ Splitter, Digital Filters, Trigger Detector, Acquisition Memory, DPX (Digital Phosphor) Processor, and Pixel Buffer Memory. After being converted into digital format in the A10 A/D board, the input signal is split into I and Q signals by the IQ Splitter. At the same time, I/Q signals are frequency-shifted so that each of them occupies a frequency band centered at frequency zero point (DC). I/Q signals output from IQ Splitter are sent to the Digital Filters. In these filters, bandwidth of these signals is limited corresponding with span settings. In addition, re-sampling is performed to achieve the higher frequency resolution. I/Q signals output from the Digital Filters are sent to the Trigger Detector and Acquisition Memory.

The Trigger Detector achieves real-time frequency trigger function. When the Frequency Mask Trigger function is activated, window function operation is executed to the input signal first. To accelerate the operation, data are divided into two groups: the odd frame data and the even frame data. With pipeline-connected FFT processors, real-time FFT is applied to these groups of data. After being converted into frequency domain, the data are further converted into the power domain with a pipeline-connected quadrature-to-polar coordinates converter. After comparison with the reference data, the trigger board outputs the trigger detect signal. When the Power Trigger function is activated, window function operation and FFT operation mentioned above are bypassed. The data of the time domain are converted into the power domain and sent to Trigger Comparator.

The Acquisition Memory saves time domain data separated into I and Q signals. The A42 DIFP board also interfaces between the data block and Microsoft Windows system. I/Q data output from the digital filter is saved to the dual port SRAM, and then transferred to SDRAM as a block of data. The memory block of SDRAM is also connected to the PCI local bus via a different dual port SRAM. This allows the Windows system to refer to the contents copied to this dual port SRAM as the data on the PCI memory space. The TRIG IN and OUT connectors located on the rear panel are connected with this board. An external trigger signal input is used, in addition, as the timing reference signal for the address controller. The A42 board also contains a microprocessor that controls various software settings and various types of hardware as well as peripheral devices such as ROM/RAM.

In the DPX spectrum mode, time-domain data from the digital down converter goes to the proprietary DPX processor that performs real-time FFT over 50,000 times per second. The spectrum traces are accumulated in the pixel buffer memory, where a counter is incremented each time a trace writes to a point on the display. A color is assigned to each display point based on the value of its counter. Thus, as acquisitions occur over time, a color-graded waveform, the Bitmap, develops on the display that shows the frequency of data occurrence (signal density).

## Power Supply

### Power Supply 1 and 2

The power supply circuit consists of two units of AC/DC Converter (Power Supply 1 and 2) energized from AC power line, and A70 DC power board, which regulates the output voltages of AC/DC converter units and distributes the regulated outputs to each of the boards and fans.

Note that Power Supply 1 and 2 units have different output voltage specifications. The Power Supply 1 output voltages are +5 V / +15 V / -15 V / +24 V; the Power Supply 2 output voltages are +5 V / +12 V / -12 V / +3.3 V.



**A70 DC Power Board** The A70 DC Power board is equipped with multiple DC/DC converters, and based upon the output voltages supplied by the Power Supply 1 and 2 units, power voltages other than above are generated on this board. On the A70 DC Power board, LED indicators and test points are provided to facilitate checking that all the power supply voltages are output normally.

**Standby Power and On/Standby Switch** Power Supply 3 is the standby power supply unit which continuously supplies power to some areas of the CPU board and the 10 MHz Reference Oscillator even if the Power Switch on the main unit is turned off (standby mode). Unless the Principal Power Switch (located on the rear panel) is turned off, Power Supply 3 continues to output power voltages. Because of this, remove AC power before opening the enclosure to service inside the unit.

The Standby Power Supply always maintains the ACPI (power control) function for the CPU board to be active. With this function, the CPU board recognizes the On status of the On/Standby Switch even in the power-off condition and is able to output the power-on signal to Power Supply 1 and 2 units. To enable accurate high frequency measurements just after power-on, power is also supplied to the 10 MHz Oscillator (OCXO) from Standby Power Supply unit.

**A50 Mother Board** The A50 Mother board distributes power to all boards and modules, as well as interfacing of control signals and data with the CPU. Other devices such as the PCI Bridge, Local Bus Controller, GPIB Control Circuit, and Bus Buffer for CPU bus expansion are also on the A50 Mother board.

## External Interface

**A60 Front Key Board** A microprocessor for key control is installed on the A60 Front Key board. Various processes such as serial conversion of key scan, key code, and signal transmission to the CPU board are performed on this board.

**A62 Front Connection Board** The A62 Front Connection board interfaces with peripheral devices such as hard disk drive, floppy disk drive, LCD (Liquid Crystal Display), USB, and keys with the CPU board.



# Performance Verification Procedures

Two types of Performance Verification procedures can be performed on this product; *Brief Procedures* and *Performance Tests*. You may not need to perform all of these procedures, depending on what you want to accomplish.

- To rapidly confirm that the analyzer functions properly and was adjusted properly, do the brief procedures under *Functional Tests* and *Diagnostics*, which begin on page 3-3.

**Advantages:** These procedures are quick to do, require no external equipment or signal sources, and perform functional and accuracy testing to provide high confidence that the analyzer will perform properly. They can be used as a quick check before making a series of important measurements.

- If more extensive confirmation of performance is desired, do the *Performance Tests*, beginning on page 3-9, after doing the *Functional Tests* and *Diagnostics* just referenced.

**Advantages:** These procedures add direct checking of warranted specifications.

**Disadvantages:** They require more time to perform and suitable test equipment is required. (Refer to *Equipment Required* on page 3-10.)

## Conventions

Throughout these procedures, the following conventions apply:

- Each test procedure uses the following general format:

Title of Test

Equipment Required

Prerequisites

Procedure

- Each procedure consists of as many steps, substeps, and subparts as required to do the test. Steps, substeps, and subparts are sequenced as follows:

1. First Step

- a. First Substep

- First Subpart

- Second Subpart

- b. Second Substep

2. Second Step

- Instructions for menu selection follow this format:

**Front Panel Key > Side Menu Key > Submenu Key.**

For example, “Press Mode: **Demod > Digital Demod > Constellation**”.

“Mode: **Demod**” indicates the **Demod** key in the Mode menu area on the front panel.

- In steps and substeps, the lead-in statement in italics tells you what to do, and the instructions that follow tell you how to do it.

The example step below is telling you to set the analyzer controls by pressing the specified key sequence.

*Set the RSA3408B analyzer controls:*

Press Mode: **Demod > Digital Demod > Constellation.**

---

**STOP.** “STOP” is accompanied by information you must read to do the procedure properly.

---

## Brief Procedures

The *Functional Tests* use the internal calibration signal as a test-signal source for further verifying that the analyzer functions properly.

The *Diagnostics* use internal routines to verify that the instrument functions properly and passes the internal circuit tests.

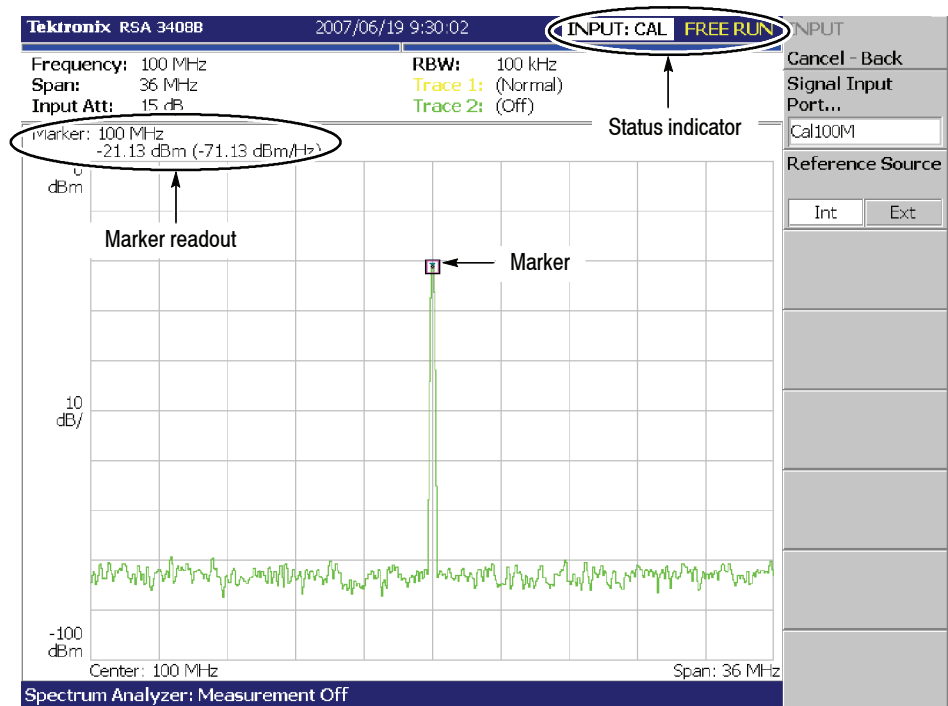
The *Functional Tests* begin on page 3-4 and the *Diagnostics* procedures are on page 3-8.

## Functional Tests

The analyzer has a built-in calibration signal source with an amplitude of approximately -20 dBm and frequency of 100 MHz. Using this source, perform this quick functional check to verify that your instrument is operating correctly.

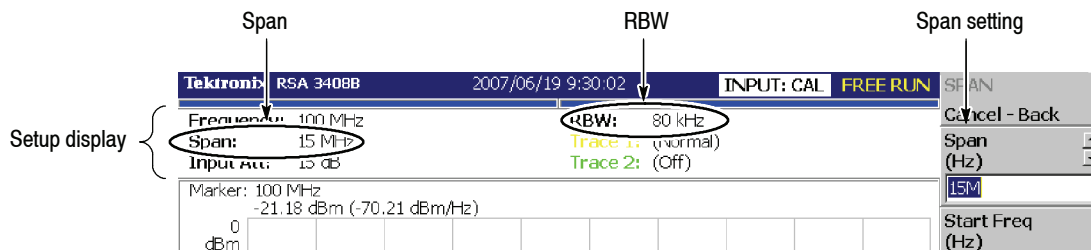
<b>Equipment Required</b>	None
<b>Prerequisites</b>	Power on the analyzer and allow a 20 minute warm-up before doing this procedure.

1. *Initialize the analyzer:*
  - a. Press the **System** key on the front panel.
  - b. Press the **Reset All to Factory Defaults** side key.
2. *Check the system version and options:*
  - a. Press the **System** key on the front panel.
  - b. Press the **Versions and Installed Options...** side key.
  - c. Check the version in the “Main System” field and the options in the option table.
3. *Check the display brightness:*
  - a. Press the **Cancel-Back** (top) side key.
  - b. Press the **Display Brightness** side key.
  - c. Change the value from 0 to 100% using the general purpose knob to check that the brightness changes normally.
4. *Display spectrum of the calibration signal:*
  - a. Press **S/A > Spectrum Analyzer**.
  - b. Press the **Preset** key on the front panel to reset the analyzer.
  - c. Press **Input > Signal Input Port... > Cal100M**.  
The spectrum of the calibration signal appears.
  - d. Check that “INPUT: CAL” and “FREE RUN” are displayed in the status indicator at the upper right of the screen (see Figure 3-1).



**Figure 3-1: Spectrum of the calibration signal (100 MHz, -20 dBm)**

5. Check the center frequency and peak amplitude using the marker:
  - a. Press the **Peak** key on the front panel to place the marker on the peak (see Figure 3-1).
  - b. Check the marker readouts on screen. The frequency should be 100 MHz and the amplitude should be approximately -20 dBm.
  - c. Press **Marker Setup > Markers > Off**. Check that the marker disappears.
6. Check the RBW (Resolution Bandwidth) while changing the span setting.
  - a. Press the **Span** key on the front panel.
  - b. Confirm that the span is 36 MHz and the RBW is 100 kHz in the setup display on the upper part of the screen (see Figure 3-2).



**Figure 3-2: Setup display**

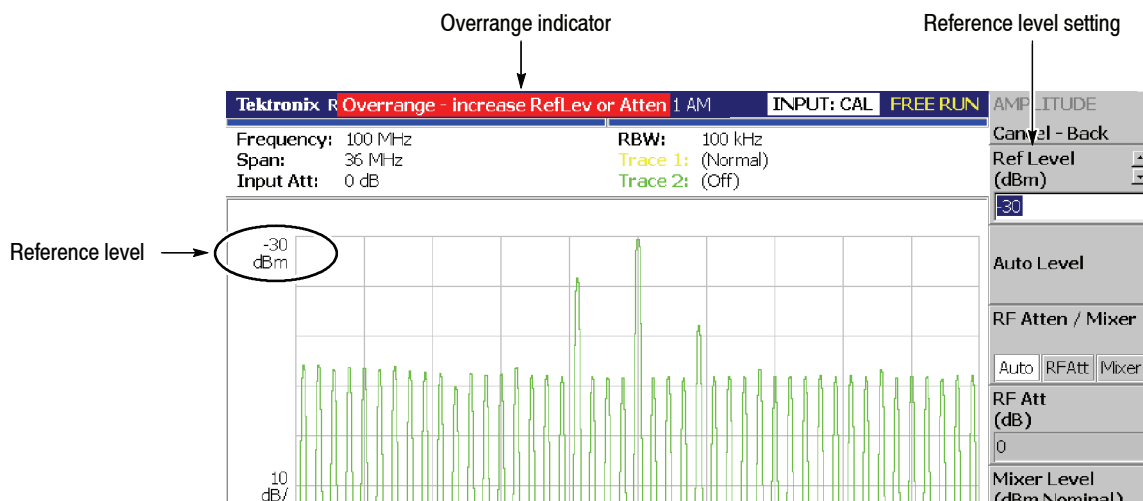
- c. Using the general purpose knob, change the span setting as listed in Table 3-1 and check that the RBW is displayed correctly.

**Table 3-1: Span and RBW**

Span	RBW
36 MHz	100 kHz
15 MHz	80 kHz
5 MHz	20 kHz
100 kHz	500 Hz
1 kHz	20 Hz

- d. Using the numeric keypad, set the span back to 36 MHz. (Press **3 > 6 > MHz**, in that order, on the keypad.)
- 7. Check the reference level:**
- a. Press the **Amplitude** key on the front panel.
  - b. Make sure that the reference level is set to 0 dBm with the **Ref Level** side key. Check that 0 dBm is displayed on the upper left side of the graticule (see Figure 3-3).
  - c. Use the general purpose knob to set the reference level to -30 dBm.
  - d. Confirm that “Overrange - increase RefLev or Atten” is indicated in the red box at the top center of the screen. Make sure that -30 dBm is displayed on the upper left side of the graticule and that the spectrum waveform is distorted as shown in Figure 3-3.
  - e. Using the numeric keypad, set the reference level back to 0 dBm. (Press **0 > Enter**, in that order, on the keypad.)

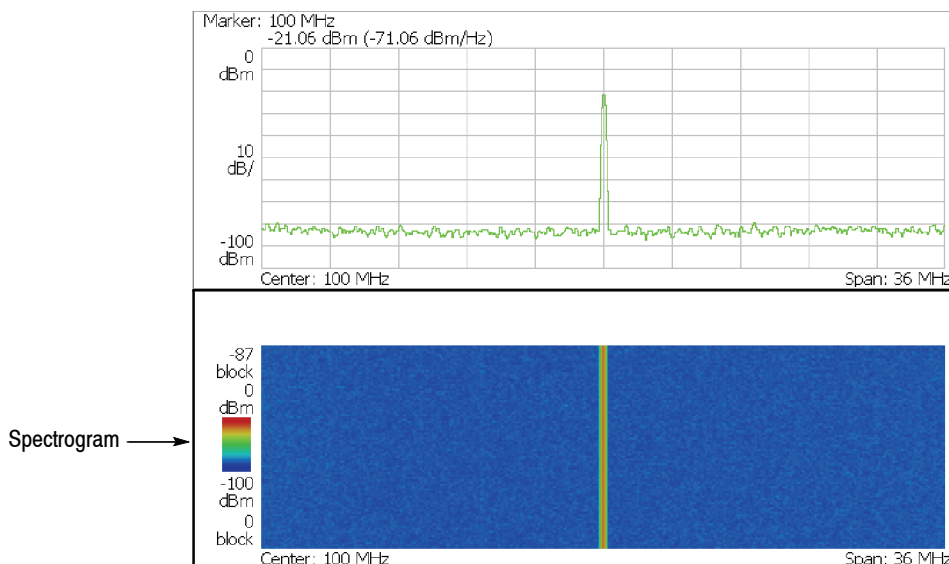




**Figure 3-3: Reference level setting and Overrange indicator**

**8. Check the spectrogram display:**

- a. Press **S/A > S/A with Spectrogram**. Check that the spectrogram is displayed on the lower side of the screen (see Figure 3-4).



**Figure 3-4: Spectrogram display**

- b. Press the **Run/Stop** key on the front panel to stop data acquisition. Confirm that the trace display freezes and PAUSE is displayed in the status indicator at the top right of the screen.

## Diagnostics

You can run the internal diagnostic program to check hardware states. Table 3-2 shows the test items and their descriptions.

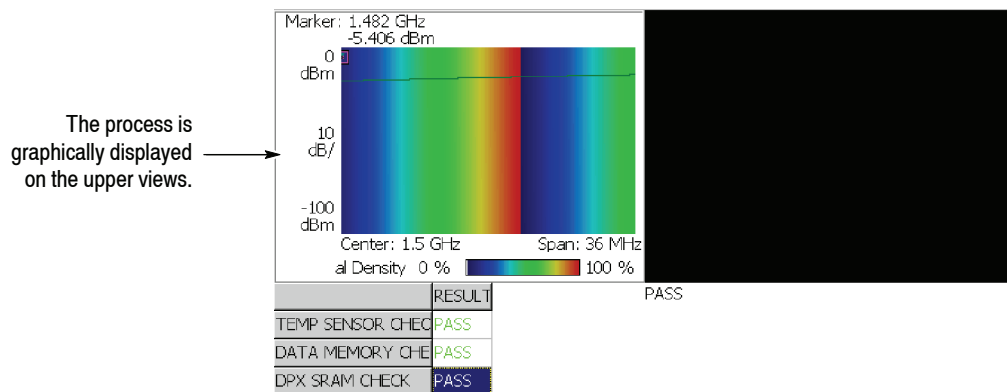
**Table 3-2: Internal diagnostic program**

Menu item	Description	Possible failure
Temp Sensor	Checks that the temperature sensor works correctly.	RF5 module
Data Memory	Checks that the acquisition memory works correctly.	A40 board
DPX SRAM	Checks that the DPX SRAM works correctly.	A42 board

<b>Equipment Required</b>	None
<b>Prerequisites</b>	Power on the analyzer and allow a 20 minute warm-up before doing this procedure.

1. Press **Cal > Service... > Password**.
2. Enter **270833** and then press the **Enter** key on the numeric keypad.
3. Press the **DIAG** side key.
4. Select the diagnostic menu item to be executed.  
You can press the **All** side key to run all the tests.
5. Check the result shown in the lower left view (“Pass” or “Fail”).



**Figure 3-5: Diagnostic screen**

# Performance Tests

This section contains procedures for checking that the RSA3408B 8 GHz Real-Time Spectrum Analyzer performs as warranted.

The procedures are arranged in five logical groupings:

- Auto Tests
- Frequency Checks
- Noise Sideband Checks
- Amplitude Checks
- Spurious Response Checks

They check all the characteristics that are designated as checked in Chapter 1, *Specifications*. (The characteristics that are checked appear with the ✓ symbol in the *Characteristics* column in Chapter 1.) You can use the form at the end of this section as a test record.

Read *Performance Verification Procedures* on page 3-1 and 4-2. Also, if you are not familiar with operating this analyzer, read the *RSA3408B User Manual* before doing any of these procedures.

---

**NOTE.** *These procedures extend the confidence level provided by the brief procedures described on page 3-3. Perform the brief procedures first and then perform the following procedures if desired.*

---

## Prerequisites

The tests in this section make up an extensive, valid confirmation of performance and functionality when the following requirements are met:

- The cabinet must be installed on the analyzer.
- The instrument must have passed the procedures under *Brief Procedures* found on page 3-3.
- A signal-path compensation must have been done within the recommended calibration interval and at a temperature within  $\pm 3$  °C of the present operating temperature. (If at the time you did the prerequisite *Brief Procedures*, the temperature was within the limits just stated, consider this prerequisite met.)
- The analyzer must have been last adjusted at an ambient temperature between +20 °C and +30 °C, must have been operating for a warm-up period of at least 20 minutes, and must be operating at an ambient temperature of between +10 °C and +40 °C.
- The SG flatness/spurious floppy disk(s) (Item 16 in Table 3-3) must be prepared. For the procedure to create or update the flatness and spurious correction files, refer to *Making Flatness Correction Files* on page 4-6 and *Making Spurious Correction Files* on page 4-13.

## Equipment Required

These procedures use external, traceable signal sources to directly check warranted characteristics. Table 3-3 shows the required equipment.

**Table 3-3: Test equipment**

Item number and description	Minimum requirements	Example	Purpose
1. Signal generator	Frequency range: 10 kHz to 3.5 GHz; Variable amplitude from -70 dBm to +13 dBm into 50 $\Omega$ ; Accuracy: $<\pm 1$ dB; Function: FM	Agilent 8648D	Checking flatness in baseband and RF1
2. Signal generator	Frequency range: 10 MHz to 8 GHz; Output level: -30 dBm to +10 dBm; Accuracy: $<\pm 1$ dB	Agilent 83712B with option 1E1	Checking flatness in RF2 and RF3
3. Signal generator	Frequency range: 1 MHz to 8 GHz; Output level: -30 dBm to +10 dBm; Accuracy: $<\pm 1$ dB	Agilent E8257D with option 1E1 (option UNX recommended)	Checking flatness in all bands

Table 3-3: Test equipment (Cont.)

Item number and description	Minimum requirements	Example	Purpose
4. Signal generator	Frequency: 2 GHz; Output: $\geq -10$ dBm; Digital modulation: QPSK; Symbol rate: 4.096 MS/s	Rohde & Schwarz SMIQ03B Agilent E4438C	Checking intermodulation distortion
5. Spectrum analyzer	Frequency: >8 GHz; Display scale fidelity: $\leq \pm 0.13$ dB	Agilent E4440A	Checking level linearity
6. Frequency counter	Frequency range: 10 MHz; Aging rate: $< 5 \times 10^{-10}$ /day; Accuracy: <0.01 ppm at 10 MHz	Agilent 53132A with option 010	Checking the reference output frequency accuracy
7. RF power meter	1 MHz to 8 GHz	Agilent E4418B	Adjusting the signal generator output level
8. RF power sensor	10 MHz to 8 GHz; RF Flatness: <3%; Uncertainty of calibration factor data: <2% (RSS)	Agilent E4412A	Adjusting the signal generator output level
9. Power combiner	Range: 500 MHz to 2 GHz; Isolation: >18 dB; Insertion loss: <1.0 dB	Mini-Circuits ZAPD-21	Checking intermodulation distortion
10. BNC cable	50 $\Omega$ , 36 in, male-to-male BNC connectors	Tektronix part number 012-1341-XX	Signal interconnection
11. N-N cable	50 $\Omega$ , 36 in, male-to-male N connectors		Signal interconnection
12. N-SMA cable (Three required)	50 $\Omega$ , 36 in, male N-to-male SMA connectors		Signal interconnection
13. GPIB cable (Two required)	2m, double-shielded	Tektronix part number 012-0991-XX	Software-based tests
14. RF attenuator	Ratio: 10 dB; impedance 50 $\Omega$ ; Bandwidth: >8 GHz	Inmet 18N-10 Mini-Circuits BW-S10W2	Checking flatness
15. Terminator	Impedance: 50 $\Omega$ ; connectors: female BNC input, male BNC output	Tektronix part number 011-0049-01	Signal termination for checking frequency accuracy
16. SG flatness/spurious floppy disk (for each signal generator used)	Created or updated with the procedures described on pages 4-6 and 4-13	3.5 inch, 720 K or 1.44 MB, DOS-compatible floppy disk	Storing flatness and spurious correction data for the signal generators (Items 1, 2, and 3)
17. Mouse	USB	Standard accessory	File operation
18. Keyboard	USB	Standard accessory	File operation

## Auto Tests

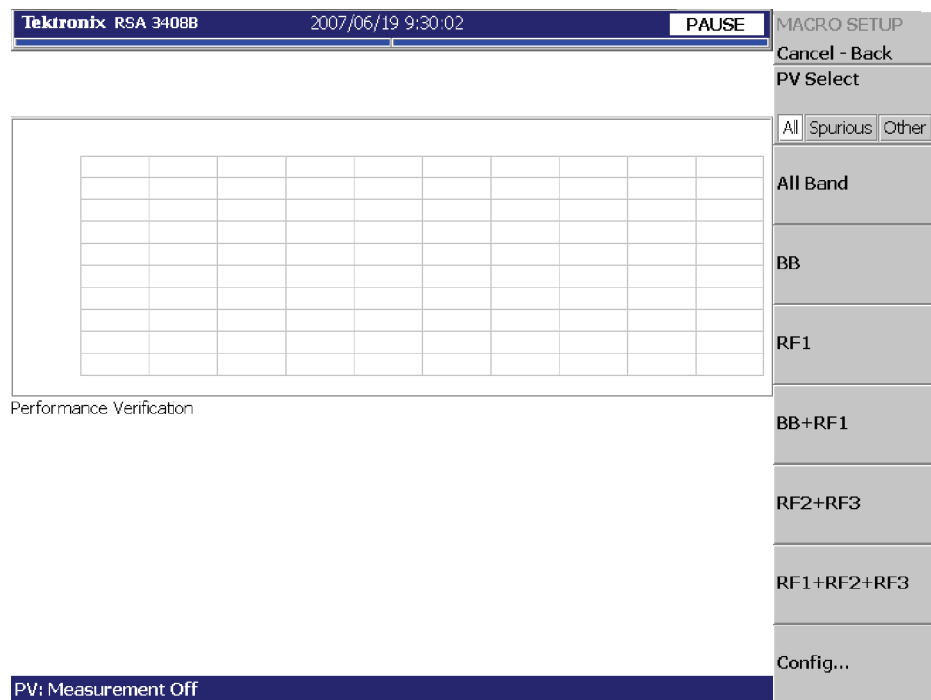
The auto tests use internal routines to verify specifications for the following characteristics:

- Baseband flatness
- IF flatness
- RF flatness
- Spurious response

Use the service PV menu and procedure described below to set parameters and perform the tests.

### Service PV Menu

Selects the PV (performance verification) test items and bands. Access this menu by pressing **Cal** > **Service...** > **Password (270833)** > **PV** (see Figure 3-6).



**Figure 3-6: Auto test initial screen**

The PV menu has the following controls:

**PV Select.** Selects the test items as shown in Table 3-4.

**Table 3-4: Test item selection**

Test item	PV Select		
	All	Spurious	Other
Baseband flatness	✓		✓
IF flatness	✓		✓
RF flatness	✓		✓
Spurious response	✓	✓	

---

**NOTE.** *It takes several hours to perform the spurious test.*

---

**All Band.** Performs the tests in all bands (Baseband, RF1, RF2, and RF3).  
Measurement bandwidth: 1 MHz to 8 GHz

**BB.** Performs the tests in the baseband.  
Measurement bandwidth: 1 MHz to 40 MHz

**RF1.** Performs the tests in the RF1 band.  
Measurement bandwidth: 40 MHz to 3.5 GHz

**BB+RF1.** Performs the tests in the baseband and RF1 band.  
Measurement bandwidth: 1 MHz to 3.5 GHz

**RF2+RF3.** Performs the tests in the RF2 and RF3 band.  
Measurement bandwidth: 3.5 GHz to 8 GHz

**RF1+RF2+RF3.** Performs the tests in the RF1, RF2, and RF3 band.  
Measurement bandwidth: 40 MHz to 8 GHz

**Config...** Sets the signal generator manufacturer and the GPIB address.

- **SG Type.** Selects the manufacturer of the generator for the GPIB command system: HP or Anritsu.

---

**NOTE.** *The HP setting also supports Agilent and Rohde & Schwarz products.*

---

- **GPIB Address.** Sets the GPIB address of the generator.

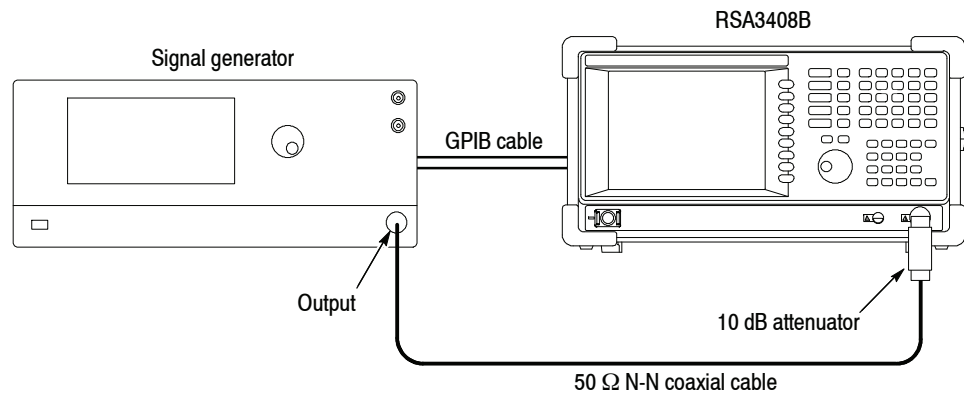
**STOP.** Select either of these two procedures, depending on the signal generator(s) you use:

- Procedure 1 below:  
Uses one signal generator, Item 3 that covers all measurement bands (Baseband, RF1, RF2, and RF3).
- Procedure 2 on page 3-16:  
Uses two signal generators: Item 1 that covers the baseband and RF1 band and Item 2 that covers the RF2 and RF3 bands.

**Procedure 1** Performs the auto tests using one signal generator (Item 3) that covers all measurement bands (Baseband, RF1, RF2, and RF3).

<b>Equipment Required</b>	One signal generator (Item 3) One 50 $\Omega$ N-N coaxial cable (Item 11) One 10 dB attenuator (Item 14) One GPIB cable (Item 13) One SG flatness floppy disk (Item 16)
<b>Prerequisites</b>	Refer to page 3-10

1. *Prepare for the test:* See the following figure for the hookup.





- a. Power off the RSA3408B analyzer and the signal generator.
  - b. Connect the analyzer and the generator with a GPIB cable.
  - c. Connect the analyzer **Input** through a 10 dB attenuator followed by a 50  $\Omega$  N-N coaxial cable to the generator output.
  - d. Power on the analyzer and the generator.
  - e. Set the GPIB address of the generator, ranging from 1 to 30.
  - f. Insert the SG flatness floppy disk (Item 16) for the generator to the floppy disk drive of the analyzer.
2. *Perform the self calibration:* Press **Cal** > **Calibrate All**.
3. *Enter the PV menu:*
- a. Press **Service...** > **Password** in the CAL menu.
  - b. Enter **270833** and then press **Enter** using the numeric keypad.
  - c. Press the **PV** side key.
  - d. *Set the GPIB address of the generator:*
    - Press the **Config...** side key.
    - Press the **SG Type** side key to select the manufacturer of the generator for the GPIB command system: HP or Anritsu.
    - Press the **SG Address** side key and set the generator address.
    - Press the **Cancel-Back** side key.
4. *Perform the tests in all bands:*  
Press the **All Band** side key to perform the tests.

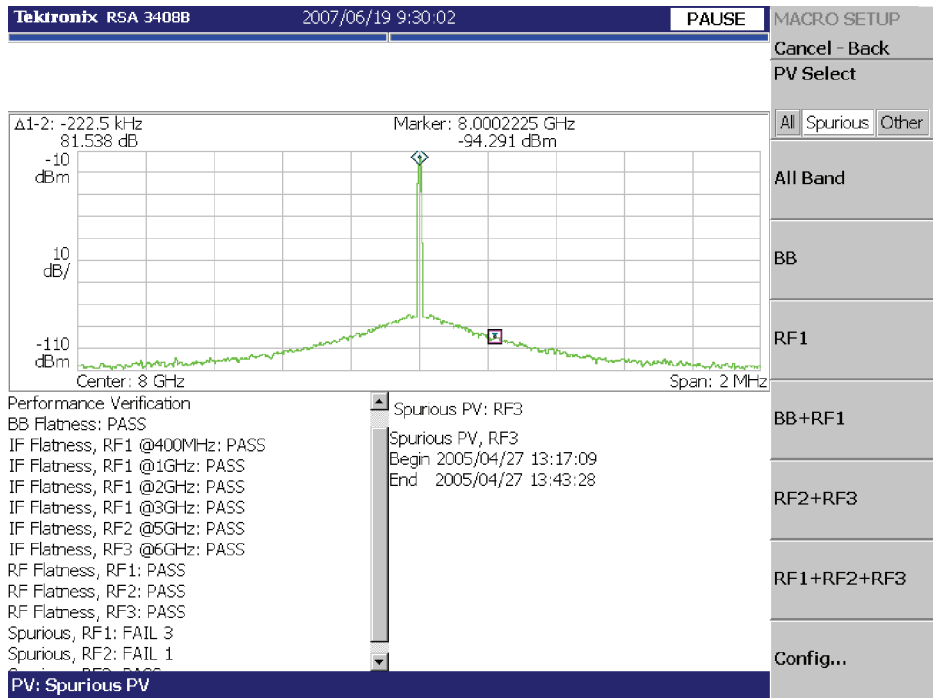
---

**NOTE.** You can select the test items and bands as described in Service PV Menu on page 3-12.

---

5. *Check the test results:*  
Check the Pass/Fail results displayed on the lower left of the screen (see Figure 3-7).

If any tests fail, go to *When the Auto Tests Fail* on page 3-19.



**Figure 3-7: Performance test result display**

**6. Disconnect the test equipment:**

- a. Disconnect the cable from the analyzer input.
- b. Turn off the analyzer and generators.
- c. Disconnect the GPIB cables from all the ports.

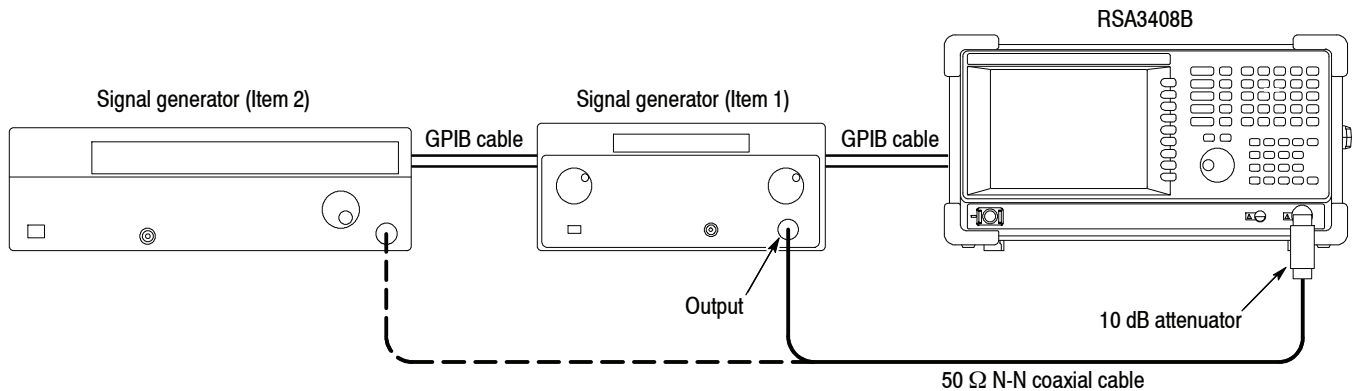
**Procedure 2**

Performs the auto tests using two signal generators, Item 1 that covers the baseband and RF1 band and Item 2 that covers the RF2 and RF3 bands.

<b>Equipment Required</b>	Two signal generators (Items 1 and 2) One 50 Ω N-N coaxial cable (Item 11) One 10 dB attenuator (Item 14) One GPIB cable (Item 13, two required) One SG flatness floppy disk (Item 16, two required)
<b>Prerequisites</b>	Refer to page 3-10

1. *Prepare for the test:*

Hook up the equipment as shown in the following figure.



- a. Power off the analyzer and the signal generators.
  - b. Connect the analyzer and the generators with GPIB cables.
  - c. Connect the analyzer **Input** through a 10 dB attenuator followed by a 50 Ω N-N coaxial cable to the generator (Item 1) output.
  - d. Power on the analyzer and the generators.
  - e. Set the GPIB address of the generators, ranging from 1 to 30. Assign a unique address to each instrument.
  - f. Insert the SG flatness floppy disk (Item 16) for the generator (Item 1) to the floppy disk drive of the analyzer.
2. *Perform the self calibration:* Press **Cal** > **Calibrate All**.
3. *Enter the PV menu:*
- a. Press **Service... > Password** in the CAL menu.
  - b. Enter **270833** and then press **Enter** using the numeric keypad.
  - c. Press the **PV** side key.
  - d. *Set the GPIB address of the generator:*
    - Press the **Config...** side key.
    - Press the **SG Type** side key to select the manufacturer of the generator (Item 1) for the GPIB command system: HP or Anritsu.
    - Press the **SG Address** side key and set the generator address.
    - Press the **Cancel-Back** (top) side key.

4. *Perform the tests in the baseband and RF1 band:*  
Press the **BB+RF1** side key to perform the tests.
5. *Check the test results:*  
Check the pass/fail results displayed on the lower left of the screen (see Figure 3-7 on page 3-16).  
  
If the instrument fails any tests, go to *When the Auto Tests Fail* on page 3-19.
6. *Change the signal generator:*
  - a. Disconnect the N-N cable from the signal generator (Item 1) output.
  - b. Connect the N-N cable to the signal generator (Item 2) output.
  - c. *Set the GPIB address of the generator:*
    - Press the **Config...** side key.
    - Press the **SG Type** side key to select the manufacturer of the generator (Item 2) for the GPIB command system: HP or Anritsu.
    - Press the **GPIB Address** side key and set the generator address.
    - Press the **Cancel-Back** (top) side key.
7. *Perform the tests in the RF2 and RF3 bands:*  
Press the **RF2+RF3** side key to perform the tests.
8. *Check the test results:*  
Check the pass/fail results displayed on the lower left of the screen (see Figure 3-7 on page 3-16).  
  
If the instrument fails any tests, go to *When the Auto Tests Fail* on page 3-19.
9. *Disconnect the test equipment:*
  - a. Disconnect the N-N cable from the analyzer input.
  - b. Turn off the analyzer and generators.
  - c. Disconnect the GPIB cables from all the ports.

**When the Auto Tests Fail**

If any test results in Fail (see Figure 3-7 on page 3-16), perform calibration, referring to *Auto Calibration* on page 4-20, and then perform the auto tests again.

1. Perform the auto calibration for the failed test item as shown in Table 3-5.

**Table 3-5: Procedure for failed test item**

Failed test item	Procedure
BB Flatness	Perform the baseband flatness calibration. Use the <i>All Band Calibration</i> on page 4-25, but select <b>BB</b> in the service Cal menu.
IF Flatness, RF1@400M IF Flatness, RF1@1G IF Flatness, RF1@2G IF Flatness, RF1@3G IF Flatness, RF2@5G IF Flatness, RF3@6G	Perform the IF flatness (wide/IQ) calibration. Refer to <i>IF Flatness (Wide/Iq) Calibration</i> on page 4-29 for the procedure.
RF Flatness, RF1 RF Flatness, RF2 RF Flatness, RF3	Perform the RF flatness calibration. Refer to <i>All Band Calibration</i> on page 4-25 for the procedure. You can select <b>RF1</b> , <b>RF2+RF3</b> , or <b>RF1+RF2+RF3</b> with <b>Cal Select</b> in the service Cal menu for the band in which the error occurred.
Spurious, RF1 Spurious, RF2 Spurious, RF3	Perform the spurious calibration. Use the <i>All Band Calibration</i> on page 4-25, but select <b>Spurious</b> with <b>Cal Select</b> in the service Cal menu. You can select <b>RF1</b> , <b>RF2+RF3</b> , or <b>RF1+RF2+RF3</b> in the service Cal menu for the band in which the error occurred.

2. Perform the auto tests again to check that the instrument passes.

If the instrument fails the spurious test again, go to the next section, *Further Spurious Test*.

**Further Spurious Test.** Performs spurious test at the specified frequency.

1. Connect a USB mouse (Item 17) and keyboard (Item 18) to the USB ports on the side panel of the analyzer.
2. Press **Measure** (front panel) > **Spurious PV**.
3. *Set the GPIB address of the signal generator:*
  - a. Press the **SG** side key to select the manufacturer of the generator for the GPIB command system: HP or Anritsu.
  - b. Press the **GPIB Address** side key and set the generator address.

4. *Check the error log:*

View the error log in the following location using the mouse and keyboard:

---

**NOTE.** For accessing Microsoft Windows XP on the analyzer, refer to the RSA3408B User Manual.

---

- Directory: C:\Program Files\Tektronix\wca200a\log
- File: spurious\_RFxPV.log  
(RFx = RF1, RF2, or RF3, depending on the test frequency)

Below is an example of the *spurious\_RF1PV.log* file:

```

Spurious PV, RF1
Begin 2005/04/28 16:34:03
1000MHz: 67.5kHz, -73.065dB
2000MHz: 55.3kHz, -76.142dB
End 2005/04/28 17:02:05
    
```

Center frequency

Spurious offset frequency  
from the center frequency

Difference in level between carrier  
at the center frequency and  
spurious at the offset frequency

5. *Set test frequency:*

- a. Press the **Band** side key to select the band in which the error occurred. For example, if an error occurred at 1000 MHz, select **RF1**.
- b. Press the **Start** side key and set the frequency at which the error occurred. For example, if an error occurred at 1000 MHz, enter 1000.
- c. Press the **Stop** side key and set the same frequency as in Start (in this example, 1000) to perform the measurement at the error frequency.

6. *Perform the test:* Press the **Measurement** side key to run the test. Check that the test passes on the right bottom of the screen.

7. Repeat steps 5 and 6 for all the frequencies listed in the log file.

## Frequency Checks

These procedures check the frequency-related characteristics and are listed as checked in *Specifications* of the *RSA3408B Technical Reference*.

### Check Frequency Readout Accuracy

<b>Equipment Required</b>	One signal generator (Item 2 or 3) One 50 $\Omega$ N-N coaxial cable (Item 11)
<b>Prerequisites</b>	Refer to page 3-10.

1. *Prepare for the test:*

a. *Initialize the analyzer:*

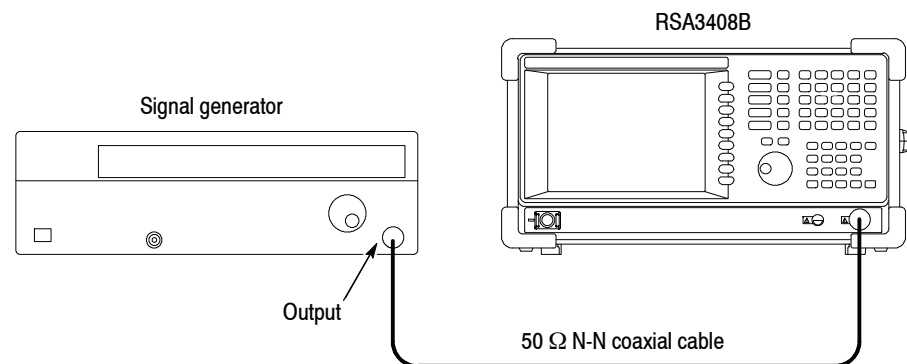
- Press the **System** key on the front panel.
- Press the **Reset All to Factory Defaults** side key.

b. *Set the generator controls:*

Frequency ..... 10 MHz  
Level ..... -10 dBm

c. *Hook up the signal generator:*

Connect the generator output through a 50  $\Omega$  N-N coaxial cable to the analyzer **Input**. See the following figure.



2. *Check frequency accuracy in the baseband:*

a. *Modify the analyzer default settings:*

- Press the **Frequency/Channel** key on the front panel.
- The **Center Freq** menu item is selected by default.  
Set the frequency to 10 MHz using the numeric keypad.
- Press the **Span** key on the front panel.
- The **Span** menu item is selected by default.  
Set the span to 1 MHz using the general purpose knob.

b. *Measure peak frequency:*

- Press the **Peak** key to place the marker on the signal peak.
- Read the marker readout. Confirm that the value is  
10 MHz  $\pm$  1 kHz.

3. *Check frequency accuracy in the RF1 band:*

a. *Modify the generator control:*

Frequency ..... 2 GHz

b. *Modify the analyzer controls:*

- Press the **Frequency/Channel** key on the front panel.
- The **Center Freq** menu item is selected by default.  
Set the frequency to 2 GHz using the numeric keypad.

c. *Measure peak frequency:*

- Press the **Peak** key to place the marker on the signal peak.
- Read the marker readout. Confirm that the value is  
2 GHz  $\pm$  1.4 kHz.



4. *Check frequency accuracy in the RF2 band:*
  - a. *Modify the generator control:*

Frequency ..... 5 GHz
  - b. *Modify the analyzer controls:*
    - Press the **Frequency/Channel** key on the front panel.
    - The **Center Freq** menu item is selected by default.  
Set the frequency to 5 GHz using the numeric keypad.
  - c. *Measure peak frequency:*
    - Press the **Peak** key to place the marker on the signal peak.
    - Read the marker readout. Confirm that the value is  
5 GHz  $\pm$  2.0 kHz.
5. *Check frequency accuracy in the RF3 band:*
  - a. *Modify the generator control:*

Frequency ..... 7 GHz
  - b. *Modify the analyzer controls:*
    - Press the **Frequency/Channel** key on the front panel.
    - The **Center Freq** menu item is selected by default.  
Set the frequency to 7 GHz using the numeric keypad.
  - c. *Measure peak frequency:*
    - Press the **Peak** key to place the marker on the signal peak.
    - Read the marker readout. Confirm that the value is  
7 GHz  $\pm$  2.4 kHz.
6. *Disconnect the test equipment:*

Disconnect the cable at the analyzer input.

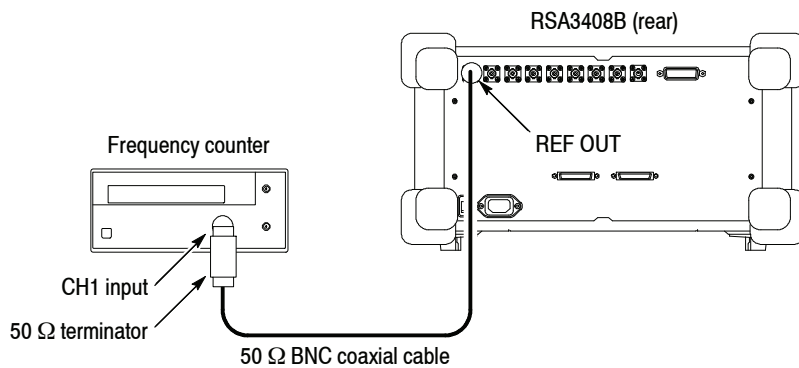
**Check 10 MHz Reference Output Accuracy**

<b>Equipment Required</b>	One frequency counter (Item 6) One 50 Ω BNC coaxial cable (Item 10) One 50 Ω terminator (Item 15)
<b>Prerequisites</b>	Refer to page 3-10. The frequency counter must have been operating for a warm-up period of at least 24 hours.

**1. Prepare for the test:**

**a. Hook up the frequency counter:**

Connect **REF OUT** on the rear panel of the analyzer through a 50 Ω precision coaxial cable and a 50 Ω precision terminator to Channel 1 of the counter. See the following figure.



**b. Set the counter controls:**

Function ..... Frequency 1  
 Gate time ..... 2 s

**2. Check the frequency:**

Check that the frequency counter reads 10 MHz ± 2.0 Hz.

**3. Disconnect the hookup:**

Disconnect the cable at **REF OUT**.

## Noise Sideband Checks

These procedures check the noise sideband-related characteristics and are listed as checked in *Specifications* of the *RSA3408B Technical Reference*.

### Check Noise Sideband

<b>Equipment Required</b>	One signal generator (Item 4) One 50 $\Omega$ N-N coaxial cable (Item 11)
<b>Prerequisites</b>	Refer to page 3-10.

#### 1. Prepare for the test:

##### a. Initialize the analyzer:

- Press the **System** key on the front panel.
- Press the **Reset All to Factory Defaults** side key.

##### b. Modify the default settings:

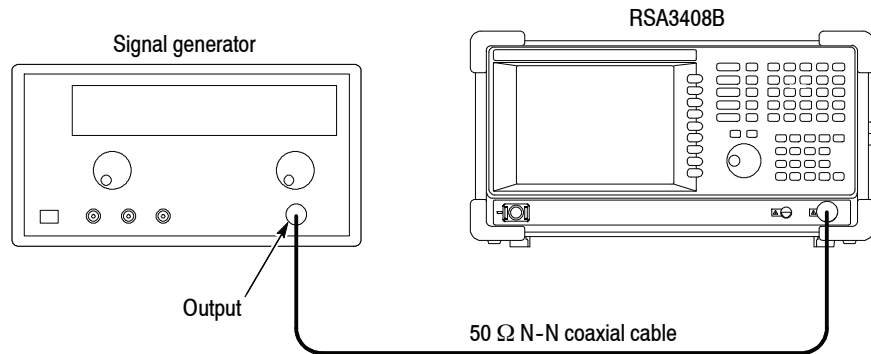
- Press the **Frequency/Channel** key on the front panel.
- The **Center Freq** menu item is selected by default. Set the frequency to 1 GHz using the numeric keypad.
- Press the **Amplitude** key on the front panel.
- Press the **RF Atten/Mixer** side key to select **Mixer**.
- The **Mixer Level** menu item is selected by default. Set the level to -10 dBm.
- Press **Trace/Avg > Trace 1 Type... > Average**.
- Press the **Number Of Averages** side key and set the value to 50 using the general purpose knob.

##### c. Set the generator controls:

Frequency ..... 1000 MHz  
Amplitude ..... 0 dBm  
RF output ..... On

##### d. Hook up the signal generator:

Connect the generator output through a 50  $\Omega$  N-N coaxial cable to the analyzer **Input**. See the following figure.



2. Check phase noise for a span of 50 kHz:

a. Modify the analyzer controls:

- Press the **Span** key on the front panel.
- The **Span** menu item is selected by default. Set the span to 50 kHz using the general purpose knob or the numeric keypad.

b. Perform the C/N (Carrier-to-Noise ratio) measurement:

- Press **Measure > C/N > Meas Setup**.
- Press the **Offset Frequency** side key and set the value to 10 kHz using the numeric keypad.
- Press the **Carrier Bandwidth** side key and set the value to 5 kHz using the numeric keypad.
- Press the **Noise Bandwidth** side key and set the value to 1 kHz using the numeric keypad.

c. Check against limits:

Read the phase noise (C/No) at the bottom of the screen.  
 Confirm that the value is 110 dB/Hz or more.

3. *Check phase noise for a span of 500 kHz:*
  - a. *Modify the analyzer controls:*
    - Press the **Span** key on the front panel.
    - The **Span** menu item is selected by default. Set the span to 500 kHz using the general purpose knob or the numeric keypad.
  - b. *Perform the C/N measurement:*
    - Select **Measure > C/N > Meas Setup**.
    - Press the **Offset Frequency** side key and set the value to 100 kHz using the numeric keypad.
    - Press the **Carrier Bandwidth** side key and set the value to 50 kHz using the numeric keypad.
    - Press the **Noise Bandwidth** side key and set the value to 10 kHz using the numeric keypad.
  - c. *Check against limits:*

Read the phase noise (C/No) at the bottom of the screen.  
Confirm that the value is 112 dB/Hz or more.
4. *Check phase noise for a span of 5 MHz:*
  - a. *Modify the analyzer controls:*
    - Press the **Span** key on the front panel.
    - The **Span** menu item is selected by default. Set the span to 5 MHz using the general purpose knob or the numeric keypad.
  - b. *Perform the C/N measurement:*
    - Select **Measure > C/N > Meas Setup**.
    - Press the **Offset Frequency** side key and set the value to 1 MHz using the numeric keypad.
    - Press the **Carrier Bandwidth** side key and set the value to 300 kHz using the numeric keypad.
    - Press the **Noise Bandwidth** side key and set the value to 100 kHz using the numeric keypad.
  - c. *Check against limits:*

Read the phase noise (C/No) at the bottom of the screen.  
Confirm that the value is 132 dB/Hz or more.
5. *Disconnect the test equipment:* Disconnect the cable at the analyzer input.

## Amplitude Checks

These procedures check the amplitude-related characteristics and are listed as checked in *Specifications* of the *RSA3408B Technical Reference*.

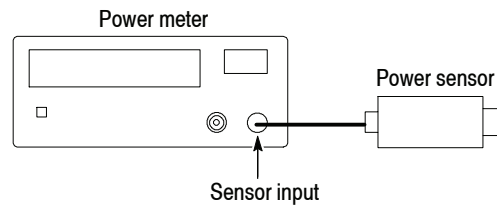
### Check Absolute Amplitude Accuracy

<b>Equipment Required</b>	One signal generator (Item 1) One power meter (Item 7) One power sensor (Item 8) One 50 $\Omega$ N-N coaxial cables (Item 11)
<b>Prerequisites</b>	Refer to page 3-10.

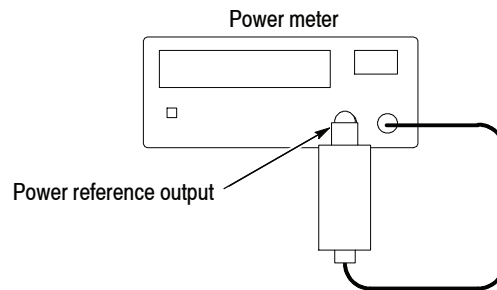
1. Set up the power meter and sensor:

**NOTE.** Store the power sensor correction factors in the power meter, if you have not yet done so.

- a. Connect the power meter and the power sensor. See the following figure.



- b. Warm up the power meter and sensor for more than 20 minutes.
- c. Press **ZERO** on the power meter.
- d. Connect the RF input of the power sensor to the power reference output of the power meter. See Figure 3-8 on page 3-29.
- e. Turn on **POWER REF** and execute the calibration.
- f. Disconnect the RF input of the power sensor from the reference output of the power meter.



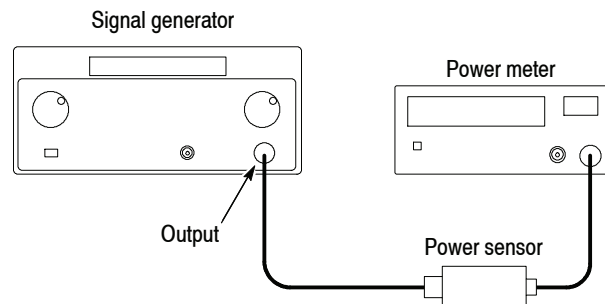
**Figure 3-8: Hookup for calibrating the power sensor**

### Baseband Test.

#### 2. Set the signal generator output:

##### a. Hook up the instruments:

Connect the signal generator (Item 1) output through a 50  $\Omega$  N-N coaxial cable to the power sensor input. See Figure 3-9.



**Figure 3-9: Hookup for setting the signal generator output**

##### b. Set the signal generator controls:

Frequency ..... 25 MHz  
 Level ..... -10 dBm

##### c. Set the power meter control:

Frequency ..... 25 MHz

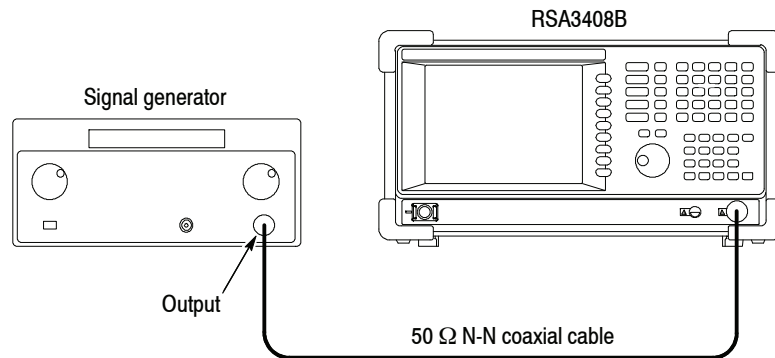
d. Adjust the output level of the signal generator so that the power meter reads -10 dBm  $\pm$  0.05 dBm.

e. Disconnect the cable from the power sensor input.

### 3. Prepare for the test:

#### a. Hook up the instruments:

Connect the signal generator output through a 50  $\Omega$  N-N coaxial cable to the RSA3408B **Input**. See Figure 3-10.



**Figure 3- 10: Hookup for checking the absolute amplitude accuracy**

#### b. Initialize the analyzer:

- Press the **System** key on the front panel.
- Press the **Reset All to Factory Defaults** side key.

#### c. Modify the default settings:

- Press the **Frequency/Channel** key on the front panel.
- The **Center Freq** menu item is selected by default. Set the frequency to 25 MHz using the numeric keypad.
- Press the **Span** key on the front panel.
- The **Span** menu item is selected by default. Set the span to 10 MHz using the general purpose knob.

#### d. Calibrate the analyzer gain:

- Press **Cal > Calibrate Gain**.
- Press **Amplitude > Auto Level**.



4. *Check the amplitude:*
  - a. Press the **Peak** key on the front panel to place the marker on the signal peak.
  - b. Check that the marker readout is within  $-10 \text{ dBm} \pm 0.3 \text{ dB}$ .
5. *Disconnect the hookup:*

Disconnect the cable at the analyzer input.

#### **RF Test.**

6. *Modify the signal generator output:*
  - a. *Hook up the test equipment:*

Connect the signal generator output through a  $50 \ \Omega$  N-N coaxial cable to the power sensor input. See Figure 3-9 on page 3-29.
  - b. *Modify the signal generator controls:*

Frequency . . . . . 100 MHz  
Level . . . . . -20 dBm
  - c. *Modify the power meter control:*

Frequency . . . . . 100 MHz
  - d. Adjust the output level of the signal generator so that the power meter reads  $-20 \text{ dBm} \pm 0.05 \text{ dBm}$ .
  - e. Disconnect the cable from the power sensor input.
7. *Modify the test hookup and preset the instrument controls:*
  - a. *Hook up the instruments:*

Connect the signal generator output through a  $50 \ \Omega$  N-N coaxial cable to the RSA3408B **Input**. See Figure 3-10 on page 3-30.
  - b. *Modify the analyzer controls:*
    - Press the **Frequency/Channel** key on the front panel.
    - The **Center Freq** menu item is selected by default.  
Set the frequency to 100 MHz using the numeric keypad.
    - Press the **Amplitude** key on the front panel.
    - Press the **RF Atten/Mixer** side key to select **RF Att**.
    - The **RF Att** menu item is selected by default.  
Set the attenuation to 0 dB.



**Check Input Attenuator  
Setting Uncertainty**

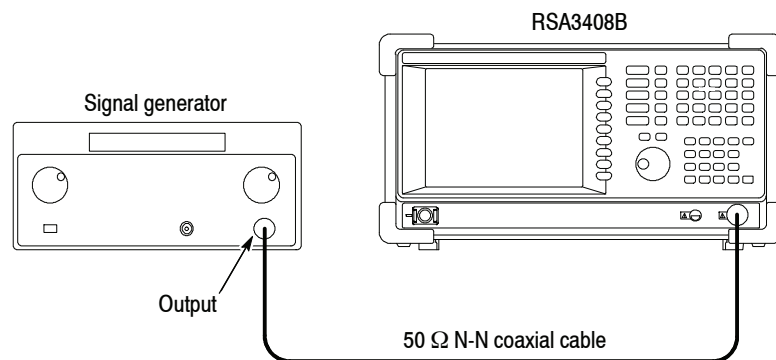
<b>Equipment Required</b>	One signal generator (Item 1) One 50 $\Omega$ N-N coaxial cables (Item 11)
<b>Prerequisites</b>	Refer to page 3-10.

**1. Prepare for the test:****a. Set the generator controls:**

Frequency ..... 100 MHz  
 Amplitude ..... -25 dBm  
 RF output ..... On

**b. Hook up the generator:**

Connect the generator output through a 50  $\Omega$  N-N coaxial cable to the analyzer **Input**. See the following figure.

**c. Initialize the analyzer:**

- Press the **System** key on the front panel.
- Press the **Reset All to Factory Defaults** side key.

**d.** *Modify the default settings:*

- Press the **Frequency/Channel** key on the front panel.
- The **Center Freq** menu item is selected by default.  
Set the frequency to 100 MHz using the numeric keypad.
- Press the **Span** key on the front panel.
- The **Span** menu item is selected by default.  
Set the span to 10 MHz using the general purpose knob.
- Press the **Amplitude** key on the front panel.
- The **Ref Level** menu item is selected by default.  
Set the reference level to -20 dBm using the general purpose knob.
- Press the **RF Atten/Mixer** side key to select **RF Att**.
- The **RF Att** menu item is selected by default. Set the attenuation to 0 dB using the numeric keypad or the general purpose knob.

**2.** *Measure the reference amplitude at 0 dB attenuation:*

- a.** Press the **Peak** key on the front panel to place the marker on the signal peak.
- b.** Record the peak amplitude at the marker readout as the reference value. (Let the value be  $P_0$ .)

**3.** *Check the amplitude for the attenuation from 5 to 30 dB:*

- a.** Press the **Amplitude** key on the front panel.
- b.** Press the **RF Att** side key and set the attenuation (initially 5 dB).
- c.** Press the **Peak** key on the front panel to place the marker on the signal peak.
- d.** Record the peak amplitude at the marker readout. (Let the value be  $P_X$ .)
- e.** Check that the error ( $P_X - P_0$ ) is within  $\pm 0.2$  dB.
- f.** Repeat substeps **3a** through **e** for attenuation from 5 to 30 dB in 5 dB steps.

**4.** *Modify the generator controls:*

Amplitude . . . . . -5 dBm

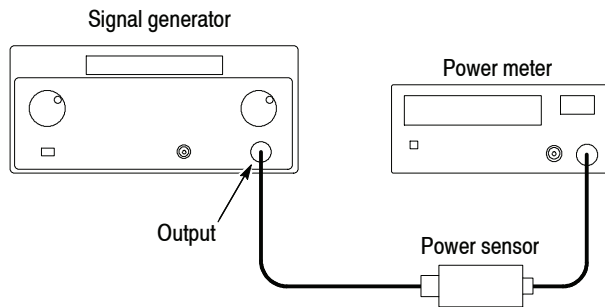
5. *Modify the analyzer controls:*
  - a. Press the **Amplitude** key on the front panel.
  - b. The **Ref Level** menu item is selected by default.  
Set the reference level to 0 dBm using the general purpose knob.
  - c. Make sure that RF Att is set to 30 dB.
6. *Measure the reference amplitude at 30 dB attenuation:*
  - a. Press the **Peak** key on the front panel to place the marker on the signal peak.
  - b. Record the peak amplitude at the marker readout as the reference value.  
(Let the value be  $P_1$ .)
7. *Check the amplitude for attenuation from 35 to 55 dB:*
  - a. Press the **Amplitude** key on the front panel.
  - b. Press the **RF Att** side key and set the attenuation (initially 35 dB).
  - c. Press the **Peak** key on the front panel to place the marker on the signal peak.
  - d. Record the peak amplitude at the marker readout. (Let the value be  $P_X$ .)
  - e. Check that the error ( $P_X - P_1$ ) is within  $\pm 0.2$  dB.
  - f. Repeat substeps **7a** through **e** for attenuation from 35 to 55 dB in 5 dB steps.
8. *Disconnect the test equipment:*

Disconnect the cable at the analyzer input.

**Check Level Linearity**

<b>Equipment Required</b>	One signal generator (Item 1) One spectrum analyzer (Item 5) One power meter (Item 7) One power sensor (Item 8) One 50 Ω N-N coaxial cable (Item 11)
<b>Prerequisites</b>	Refer to page 3-10.

1. *Set up the power meter and sensor:*  
Do step 1 on page 3-28 to set up the power meter and sensor.
2. *Set the signal generator output:*
  - a. *Hook up the instruments:*  
Connect the signal generator (Item 1) output through a 50 Ω N-N coaxial cable to the power sensor input. See the figure below.



- b. *Set the signal generator controls:*
  - Frequency ..... 100 MHz
  - Level ..... +10 dBm
- c. *Set the power meter control:*
  - Frequency ..... 100 MHz

3. Determine the reference power in +10 to -30 dBm:

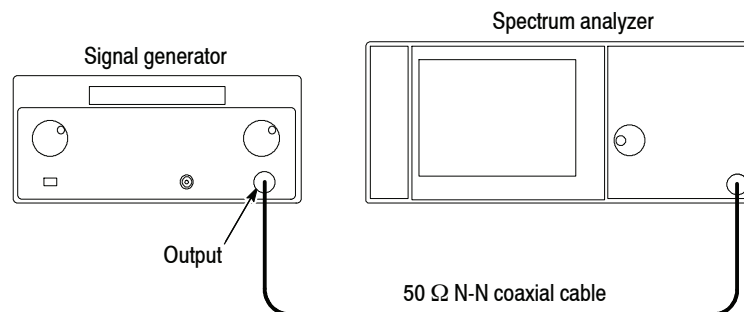
- a. Measure the power and record it as Pr0.
- b. Set the signal generator amplitude from 0 to -30 dBm in 10 dB steps and measure the power as Pr1 to 4, respectively.

Signal generator amplitude	Reference power
+10 dBm	Pr0
0 dBm	Pr1
-10 dBm	Pr2
-20 dBm	Pr3
-30 dBm	Pr4

- c. Disconnect the power sensor input from the generator.

4. Modify the hookup:

- a. Connect the generator output through a 50  $\Omega$  N-N coaxial cable to the spectrum analyzer (Item 5) input. See the following figure.



- b. Set the signal generator control:

Amplitude . . . . . -30 dBm

- c. Set the spectrum analyzer controls:

Measurement mode . . . . . SA mode  
 Reference level . . . . . -20 dBm  
 Center frequency . . . . . 100 MHz  
 Span . . . . . 1 MHz  
 RF attenuation . . . . . 10 dB  
 RBW . . . . . Auto

**5. Set the reference offset:**

**a. Set the spectrum analyzer control:**

Average ..... 10

**b. Measure the peak power Ppr using the marker peak.**

**c. Modify the spectrum analyzer control:**

Reference offset ..... Pr4 - Ppr

**6. Determine the reference power in -40 dBm:**

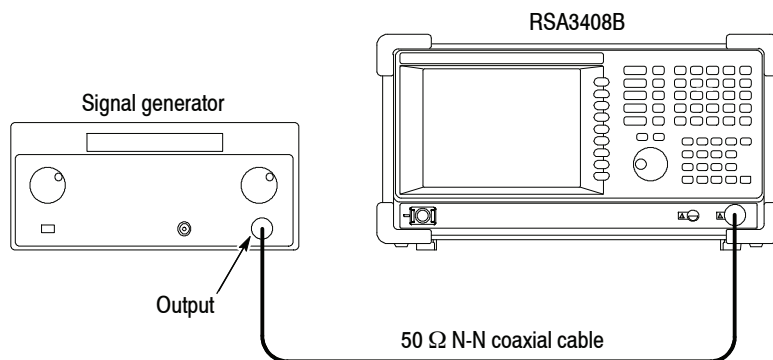
**a. Set the signal generator amplitude to -40 dBm to measure the power as Pr5.**

Signal generator amplitude	Reference power
-40 dBm	Pr5

**b. Disconnect the cable from the spectrum analyzer.**

**7. Modify the hookup:**

**a. Connect the signal generator output to the RSA3408B analyzer input. See the following figure.**



**b. Set the signal generator control:**

Amplitude ..... +10 dBm



c. *Modify the RSA3408B analyzer controls:*

Center frequency ..... 100 MHz  
 Span ..... 5 MHz  
 Reference level ..... 10 dBm  
 RF attenuation ..... 20dB  
 Average ..... 50

8. *Measure the power:*

- a. Using the **Peak** key, measure the power and record it as Pm0.
- b. Set the signal generator amplitude to 0 to -40 dBm in 10 dB steps to measure the power as Pm1 to 5.
- c. Get the level linearity Pfx (x = 1 to 5) as:

$$Pfx = (Pmx - Pm0) - (Prx - Pr0)$$

**Table 3-6: Level linearity test result**

Signal generator amplitude	Reference power	Measured power	Level linearity
+10 dBm	Pr0	Pm0	-
0 dBm	Pr1	Pm1	Pf1 = (Pm1 - Pm0) - (Pr1 - Pr0)
-10 dBm	Pr2	Pm2	Pf2 = (Pm2 - Pm0) - (Pr2 - Pr0)
-20 dBm	Pr3	Pm3	Pf3 = (Pm3 - Pm0) - (Pr3 - Pr0)
-30 dBm	Pr4	Pm4	Pf4 = (Pm4 - Pm0) - (Pr4 - Pr0)
-40 dBm	Pr5	Pm5	Pf5 = (Pm5 - Pm0) - (Pr5 - Pr0)

9. *Disconnect the test equipment:*

Disconnect the cable at the analyzer input.

## Spurious Response Checks

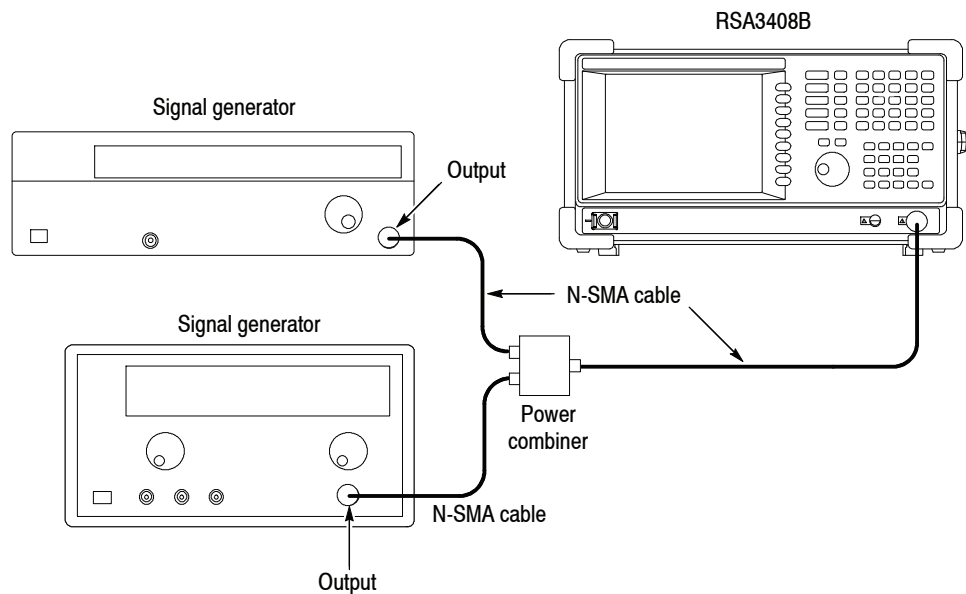
These procedures check the spurious-related characteristics and are listed as checked in *Specifications* of the *RSA3408B Technical Reference*.

### Check 3<sup>rd</sup> Order Intermodulation Distortion

<b>Equipment Required</b>	Two signal generators (Item 2 (or 3) and Item 4) One power combiner (Item 9) Three 50 $\Omega$ N-SMA coaxial cables (Item 12)
<b>Prerequisites</b>	Refer to page 3-10.

1. *Prepare for the test:*

- a. Connect each generator output through a 50  $\Omega$  N-SMA coaxial cable to a power combiner input. See the following figure.



- b. Connect the power combiner output through a 50  $\Omega$  N-SMA coaxial cable to the analyzer **Input**.

c. *Set the signal generator (Item 2) controls:*

Frequency ..... 1999.85 MHz  
Level ..... 0 dBm  
ALC BW ..... 100 Hz

d. *Set the signal generator (Item 4) controls:*

Frequency ..... 2000.15 MHz  
Level ..... 0 dBm  
ALC BW ..... 100 Hz

e. *Initialize the analyzer:*

- Press the **System** key on the front panel.
- Press the **Reset All to Factory Defaults** side key.

f. *Modify the default controls:*

- Press the **Frequency/Channel** key on the front panel.
- The **Center Freq** menu item is selected by default.  
Set the frequency to 2 GHz using the numeric keypad.
- Press the **Span** key on the front panel.
- The **Span** menu item is selected by default.  
Set the span to 1 MHz using the general purpose knob.
- Press the **Amplitude** key on the front panel.
- The **Ref Level** menu item is selected by default.  
Set the level to 5 dBm using the general purpose knob.
- Press the **RF Atten/Mixer** side key to select **Rf Att**.
- Press the **RBW/FFT** key on the front panel.
- Press the **RBW/FFT** side key to select **Man**.
- Press the **Extended Resolution** side key to select **On**.
- Press the **RBW** side key and set the RBW to 2 kHz.
- Press **Trace/Avg > Trace 1 Type... > Average**.
- Press the **Number Of Averages** side key and set the value to 50 using the general purpose knob.
- Press the **Marker Setup** key.
- Press the **Markers** side key to select **Delta**.

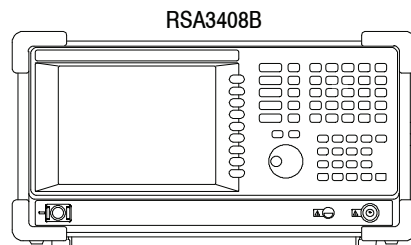


**Check Displayed Average Noise Level**

<b>Equipment Required</b>	None
<b>Prerequisites</b>	Refer to page 3-10.

**1. Prepare for the test:****a. Initialize the analyzer:**

- Press the **System** key on the front panel.
- Press the **Reset All to Factory Defaults** side key.

**b. Modify the analyzer controls:**

- Press the **Frequency/Channel** key on the front panel.
- The **Center Freq** menu item is selected by default. Set the frequency to 10 MHz using the general purpose knob.
- Press the **Span** key on the front panel.
- The **Span** menu item is selected by default. Set the span to 1 MHz using the general purpose knob.
- Press the **Amplitude** key on the front panel.
- The **Ref Level** menu item is selected by default. Set the level to -30 dBm using the general purpose knob.
- Press the **RBW/FFT** key on the front panel.
- Press the **RBW/FFT** side key to select **Man**.
- The **RBW** menu item is selected by default. Set the value to 10 kHz using the general purpose knob.

- Press **Trace/Avg** > **Trace 1 Type...** > **Average**.
  - Press the **Number Of Averages** side key and set the value to 50.
  - Press **Measure** > **Channel Power** > **Meas Setup**.
  - Press the **Channel Bandwidth** side key and set the value to 1 MHz using the general purpose knob.
2. *Check noise in the baseband:*  
Read the measurement result of Density at the bottom of the screen.  
Check that the value is -151 dBm/Hz or less.
3. *Check noise at 2 GHz in the RF1 band:*
- a. *Modify the analyzer control:*
    - Press the **Frequency/Channel** key on the front panel.
    - The **Center Freq** menu item is selected by default.  
Set the frequency to 2 GHz using the general purpose knob.
    - Press the **Amplitude** key on the front panel.
    - The **Ref Level** menu item is selected by default.  
Set the level to -50 dBm using the general purpose knob.
    - Press the **RF Atten/Mixer** side key to select **RF Att**.
    - The **RF Att** menu item is selected by default.  
Set the attenuation to 0 dB using the general purpose knob.
  - b. *Check against limits:*  
Read the measurement result of Density at the bottom of the screen.  
Check that the value is -150 dBm/Hz or less.
4. *Check noise at 3 GHz in the RF1 band:*
- a. *Modify the analyzer control:*
    - Press the **Frequency/Channel** key on the front panel.
    - The **Center Freq** menu item is selected by default.  
Set the frequency to 3 GHz using the general purpose knob.
  - b. *Check against limits:*  
Read the measurement result of Density at the bottom of the screen.  
Check that the value is -150 dBm/Hz or less.

**5. Check noise at 7 GHz in the RF3 band:**

**a. Modify the analyzer control:**

- Press the **Frequency/Channel** key on the front panel.
- The **Center Freq** menu item is selected by default.  
Set the frequency to 7 GHz using the general purpose knob.

**b. Check against limits:**

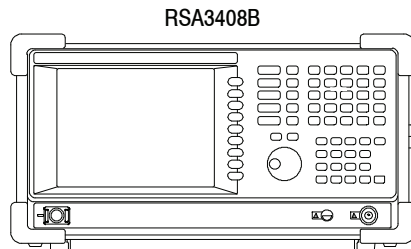
Read the measurement result of Density at the bottom of the screen.  
Check that the value is -142 dBm/Hz or less.

**Check Residual Response**

<b>Equipment Required</b>	None
<b>Prerequisites</b>	Refer to page 3-10.

**1. Prepare for the test:****a. Initialize the analyzer:**

- Press the **System** key on the front panel.
- Press the **Reset All to Factory Defaults** side key.

**b. Modify the default settings:**

- Press the **Frequency/Channel** key on the front panel.
- The **Center Freq** menu item is selected by default.  
Set the frequency to 20 MHz using the general purpose knob.
- Press the **Span** key on the front panel.
- The **Span** menu item is selected by default.  
Set the span to 40 MHz using the general purpose knob.
- Press the **Amplitude** key on the front panel.
- The **Ref Level** menu item is selected by default.  
Set the level to -30 dBm using the general purpose knob.
- Press the **RBW/FFT** key on the front panel.
- Press the **RBW/FFT** side key to select **Man**.
- The **RBW** menu item is selected by default.  
Set the RBW to 100 kHz using the general purpose knob.
- Press **Trace/Avg > Trace 1 Type... > Average**.
- Press the **Number Of Averages** side key and set the value to 50 using the general purpose knob.



2. *Check residual response in the baseband:*

a. *Measure residual response:*

- Press **Scale/Lines** (front panel) > **View Lines...**
- Press the **Show Line** side key to select **Vertical**.
- Press the **Number Of Line** key to select **1**.
- The **Line1** menu item is selected by default.  
Set the value to 1 MHz using the numeric keypad.
- Press the **Show Line** side key to select **Horizontal**.
- Press the **Number Of Line** key to select **1**.
- The **Line1** menu item is selected by default.  
Set the value to -93 dBm using the numeric keypad.

b. *Check against limits:*

Confirm that the residual signal level is -93 dBm or less at 1 MHz or more.

3. *Check residual response in the RF1 band:*

a. *Modify the analyzer controls:*

- Press the **Frequency/Channel** key on the front panel.
- The **Center Freq** menu item is selected by default.  
Set the frequency to 2 GHz using the numeric keypad.
- Press the **Span** key on the front panel.
- The **Span** menu item is selected by default.  
Set the span to 3 GHz using the numeric keypad.

b. *Measure residual response:*

- Press **Scale/Lines** (front panel) > **View Lines...**
- Press the **Show Line** side key to select **Horizontal**.
- Press the **Number Of Line** key to select **1**.
- The **Line1** menu item is selected by default.  
Set the value to -90 dBm using the numeric keypad.

c. *Check against limits:*

Confirm that the residual signal level is -90 dBm or less.

4. *Check residual response in the RF2 band:*
  - a. *Modify the analyzer controls:*
    - Press the **Frequency/Channel** key on the front panel.
    - The **Center Freq** menu item is selected by default.  
Set the frequency to 5 GHz using the numeric keypad.
  - b. *Measure residual response:*  
Press the **Peak** key to place the marker at the peak on the noise floor.
  - c. *Check against limits:*  
Read the marker readout. Confirm that the residual signal level is -85 dBm or less within the whole bandwidth.
  
5. *Check residual response in the RF3 band:*
  - a. *Modify the analyzer controls:*
    - Press the **Frequency/Channel** key on the front panel.
    - The **Center Freq** menu item is selected by default.  
Set the frequency to 6.5 GHz using the numeric keypad.
  - b. *Measure residual response:*  
Press the **Peak** key to place the marker at the peak on the noise floor.
  - c. *Check against limits:*  
Read the marker readout. Confirm that the residual signal level is -85 dBm or less within the whole bandwidth.

**Check Spurious Response**

<b>Equipment Required</b>	One signal generator (Item 2 or 3) One 50 $\Omega$ N-N coaxial cable (Item 11)
<b>Prerequisites</b>	Refer to page 3-10.

**1. Prepare for the test:****a. Initialize the analyzer:**

- Press the **System** key on the front panel.
- Press the **Reset All to Factory Defaults** side key.

**b. Modify the default controls:**

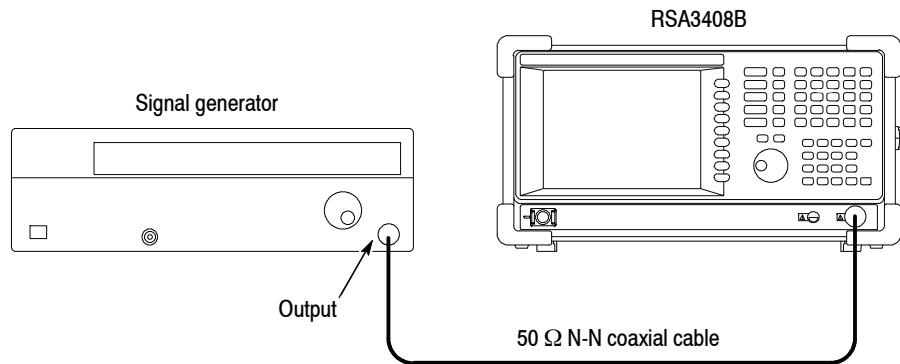
- Press the **Span** key on the front panel.
- The **Span** menu item is selected by default.  
Set the span to 10 MHz using the general purpose knob.
- Press the **RBW/FFT** key on the front panel.
- Press the **RBW/FFT** side key to select **Man**.
- The **RBW** menu item is selected by default.  
Set the value to 50 kHz using the general purpose knob.
- Press **Trace/Avg > Trace 1 Type... > Average**.
- Press the **Number Of Averages** side key and set the value to 50.
- Press the **Marker Setup** key.
- Press the **Markers** side key to select **Delta**.

**c. Set the generator controls:**

Level . . . . . -5 dBm

**d. Hook up the signal generator:**

Connect the generator output through a 50  $\Omega$  N-N coaxial cable to the analyzer **Input**. See the following figure.



2. *Check spurious response:*

a. *Modify the generator controls:*

Set the generator output frequency to the value as shown in Table 3-7 (initially 25 MHz).

b. *Modify the analyzer controls:*

- Press the **Frequency/Channel** key on the front panel.
- The **Center Freq** menu item is selected by default. Set the frequency to the same value as the generator output using the numeric keypad.

c. *Measure the amplitude:*

- Press the **Marker Setup** key on the front panel.
- Press the **Select Marker** side key to select **1**.
- Press the **Peak** key and then the Markers: ▼ (marker down) key once to place the first marker at the peak on the noise floor.
- Press the **Select Marker** side key to select **2**.
- Press the **Peak** key to place Marker 2 on the signal peak.
- Read the delta marker readout ( $\Delta 1-2$ ) on the screen. Check that the components other than the carrier meet the requirements shown in Table 3-7 (initially -73 dBc).

- d. Repeat substeps a through c until all frequency settings listed in Table 3-7 are checked.

**Table 3-7: Spurious measurement**

<b>Band</b>	<b>Frequency</b>	<b>Spurious response</b>
Baseband	25 MHz	-73 dBc
RF1	2 GHz	-73 dBc
RF2	5 GHz	-70 dBc
RF3	7 GHz	-70 dBc

3. *Disconnect the test equipment:*  
Disconnect the cable at the analyzer input.

## Test Record

Photocopy the following test record pages and use them to record the performance test results for your analyzer.

**RSA3408B Test Record**

Serial Number:

Certificate Number:

Calibration Date:

Technician:

**Frequency readout test**

Frequency	Measurement	Low limit	Test result	High limit
10 MHz	Marker	9,999 kHz		10,001 kHz
2 GHz	Marker	1,999,998.6 kHz		2,000,001.4 kHz
5 GHz	Marker	4,999,998.0 kHz		5,000,002.0 kHz
7 GHz	Marker	6,999,997.6 kHz		7,000,002.4 kHz

**10 MHz reference output test**

	Low limit	Test result	High limit
Accuracy	9,999,998.0 Hz		10,000,002.0 Hz

**Noise sideband test**

Span	Offset	Low limit	Test result	High limit
50 kHz	10 kHz	110 dB/Hz		
500 kHz	100 kHz	112 dB/Hz		
5 MHz	1 MHz	132 dB/Hz		

**Absolute amplitude accuracy test**

Frequency	Test level	Low limit	Test result	High limit
25 MHz	-10 dBm	-10.3 dBm		-9.7 dBm
100 MHz	-20 dBm	-20.5 dBm		-19.5 dBm

<b>Input attenuator setting uncertainty test</b>				
<b>Attenuation</b>	<b>Measurement (<math>P_x</math>)</b>	<b>Low limit</b>	<b>Test result (<math>P_x - P_{0/1}</math>)</b>	<b>High limit</b>
0 dB	$P_0$ :	-	-	-
5 dB		-0.2 dB		+0.2 dB
10 dB		-0.2 dB		+0.2 dB
15 dB		-0.2 dB		+0.2 dB
20 dB		-0.2 dB		+0.2 dB
25 dB		-0.2 dB		+0.2 dB
30 dB		-0.2 dB		+0.2 dB
30 dB	$P_1$ :	-	-	-
35 dB		-0.2 dB		+0.2 dB
40 dB		-0.2 dB		+0.2 dB
45 dB		-0.2 dB		+0.2 dB
50 dB		-0.2 dB		+0.2 dB
55 dB		-0.2 dB		+0.2 dB

<b>Level linearity test</b>			
<b>Amplitude</b>	<b>Low limit</b>	<b>Test result</b>	<b>High limit</b>
0 dBm	-0.2 dB		+0.2 dB
-10 dBm	-0.2 dB		+0.2 dB
-20 dBm	-0.2 dB		+0.2 dB
-30 dBm	-0.2 dB		+0.2 dB
-40 dBm	-0.2 dB		+0.2 dB

<b>3<sup>rd</sup> order intermodulation distortion test</b>	<b>Low limit</b>	<b>Test result</b>	<b>High limit</b>
3 <sup>rd</sup> order intermodulation distortion +5 dBm reference level, 2 GHz center frequency			-78 dBc



<b>Displayed average noise level test</b>			
<b>Frequency</b>	<b>Low limit</b>	<b>Test result</b>	<b>High limit</b>
10 MHz			-151 dBm/Hz
2 GHz			-150 dBm/Hz
3 GHz			-150 dBm/Hz
7 GHz			-142 dBm/Hz

<b>Residual response test</b>				
<b>Band</b>	<b>Frequency range</b>	<b>Low limit</b>	<b>Test result</b>	<b>High limit</b>
Baseband	1 to 40 MHz			-93 dBm
RF1	0.5 to 3.5 GHz			-90 dBm
RF2	3.5 to 6.5 GHz			-85 dBm
RF3	5 to 8 GHz			-85 dBm

<b>Spurious response test</b>			
<b>Frequency</b>	<b>Low limit</b>	<b>Test result</b>	<b>High limit</b>
25 MHz			-73 dBc
2 GHz			-73 dBc
5 GHz			-70 dBc
7 GHz			-70 dBc



# Adjustment Procedures

This section contains information needed to manually adjust the RSA3408B 8 GHz Real-Time Spectrum Analyzer.

The section is divided into three subsections:

- General information about adjusting the analyzer
- A list of equipment required to perform the adjustments
- The procedures for adjusting the analyzer

**Purpose** This procedure returns the analyzer to conformance with its *Warranted Characteristics* as listed in Section 1, *Specification*. It can also be used to optimize the performance of the analyzer. For performance verification procedures, refer to Section 4, *Performance Verification*.

**Adjustment Interval** Generally, these adjustments should be done every 12 months.

**Adjustment After Repair** After the removal and replacement of a module due to electrical failure, perform the adjustment procedures in this section.

## Requirements for Performance

Before doing the adjustments, note the following requirements.

**Personnel** This procedure is only to be performed by trained service technicians.

**Warm-Up Period** This analyzer requires a 20 minute warm-up time in a 20 °C to 30 °C environment before it is adjusted. Adjustments done before the operating temperature has stabilized may cause errors in performance.

**Test Equipment** Table 4-1 lists all test equipment required to adjust the analyzer.

## Equipment Required

Table 4-1 lists the test equipment required to adjust the RSA3408B analyzer.

**Table 4-1: Test equipment**

Item number and description	Minimum requirements	Example	Purpose
1. Signal generator	Frequency range: 10 kHz to 3.5 GHz; Variable amplitude from -70 dBm to +13 dBm into 50 $\Omega$ ; Accuracy: $<\pm 1$ dB; Function: FM	Agilent 8648D	Adjusting flatness in baseband and RF1
2. Signal generator	Frequency range: 10 MHz to 8 GHz; Output level: -30 dBm to +10 dBm; Accuracy: $<\pm 1$ dB	Agilent 83712B with option 1E1	Adjusting flatness in RF2 and RF3
3. Signal generator	Frequency range: 1 MHz to 8 GHz; Output level: -30 dBm to +10 dBm; Accuracy: $<\pm 1$ dB	Agilent E8257D with option 1E1 (option UNX recommended)	Adjusting flatness in all bands
4. Signal generator	Frequency: 6 GHz; Output: $\geq 0$ dBm; Digital modulation: QPSK	Agilent E4438C with Options 506, UNJ, and 602	Adjusting wide/IQ flatness
5. Waveform generator	Arbitrary waveform; Function generator; Two output channels; Sampling frequency: 50 kHz to 1 GHz; Amplitude range: 20 mV to 2 V	Tektronix AWG520 <sup>1</sup>	Adjusting IQ gain (Option 03 only)
6. Frequency counter	Frequency range: 10 MHz; Aging rate: $<5 \times 10^{-10}$ /day; Accuracy: $<0.01$ ppm at 10 MHz	Agilent 53132A with option 010	Checking the reference output frequency accuracy
7. RF power meter <sup>2</sup>	1 MHz to 8 GHz	Agilent 437B <sup>3</sup> Agilent E4418B <sup>3</sup>	Adjusting the signal generator output level
8. RF power sensor <sup>2</sup>	10 MHz to 8 GHz; RF Flatness: $<3\%$ ; Uncertainty of calibration factor data: $<2\%$ (RSS)	Agilent 8481A Agilent E4412A	Adjusting the signal generator output level
9. BNC cable (five required)	50 $\Omega$ , 36 in, male-to-male BNC connectors	Tektronix part number 012-1341-XX	Signal interconnection
10. N-N cable	50 $\Omega$ , 36 in, male-to-male N connectors		Signal interconnection
11. GPIB cable (three required)	2m, double-shielded	Tektronix part number 012-0991-XX	Software-based tests
12. Terminator (two required)	Impedance: 50 $\Omega$ ; connectors: female BNC input, male BNC output	Tektronix part number 011-0049-01	Signal termination for checking frequency accuracy
13. RF attenuator	Ratio: 10 dB; impedance 50 $\Omega$		Checking flatness
14. N adapter <sup>2</sup>	Female-to-female N connectors		Signal interconnection

**Table 4-1: Test equipment (Cont.)**

Item number and description	Minimum requirements	Example	Purpose
15. Mouse <sup>2</sup>	USB	Standard accessory	File operation
16. Keyboard <sup>2</sup>	USB	Standard accessory	File operation
17. SG flatness/spurious floppy disk (for each signal generator used)	Created or updated using the procedures described on pages 4-6 and 4-13	3.5 inch, 720 K or 1.44 MB, DOS-compatible floppy disk	Storing flatness and spurious correction data for the signal generators (Items 1, 2, and 3)
18. AWG520 setup disk	3.5 inch DOS-compatible floppy disk, containing the AWG520 setting and waveform files	Tektronix part number 063-3680-00	Setting up the AWG520 waveform generator (Item 5)

<sup>1</sup> Use this instrument only. The adjustment procedures specify that the analyzer controls this instrument over the GPIB.

<sup>2</sup> Required only when creating a flatness correction files for the signal generators (Item 1, 2, and 3).

<sup>3</sup> To make an SG flatness/spurious floppy disk (Item 17), use Agilent 437B or compatible. If you use another instrument, for example Agilent E4418B, select HP437B for the GPIB command set. To select the programming language, refer to the User's Guide of the instrument.

## Preparation

Do the following procedures before executing the auto calibration:

- Store calibration factors in the power meter.
- Prepare the flatness correction file for the signal generators.
- Prepare the spurious correction file for the signal generators.
- *Option 03 only.* Install the setup files on the AWG520 waveform generator.

## Storing Cal Factors in the Power Meter

If you use an Agilent 437B power meter to create flatness correction files for the signal generators (Items 1, 2, and 3), you have to store the calibration factors for a power sensor in the power meter. There are two ways to store calibration factors:

- Storing calibration factors manually
- Storing calibration factors through the analyzer

For information on storing calibration factors manually in the power meter, refer to the power meter user's guide. When you store calibration factors through the analyzer, use the following procedure.

<b>Equipment Required</b>	One power meter (Item 7) One GPIB cable (Item 11) One 720 K or 1.44 MB, 3.5 inch DOS-compatible disk, if you load calibration factors from a floppy disk.
---------------------------	--

1. Make a text file on the PC with the following format for a power sensor:

```
# NO=(sensor ID number: 0 to 9)
# SENSOR=(type of the sensor)
# SERIAL=(serial number of the sensor)
# REFCF=(ref cal factor)
(frequency)=(cal factor)
...
```

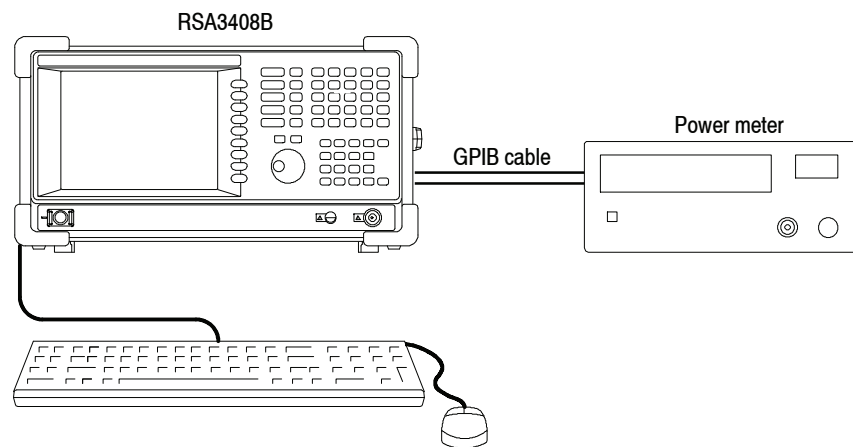
This information is described on the surface of the power sensor, except the sensor ID number which you specify. Enter the calibration factors for the test or adjustment frequency range.

An example is shown below (frequency range: 0.1 to 9 GHz).

```
# NO=2
# SENSOR=HP8485A
# SERIAL=3318A16046
# REFCF=99.0
0.1e9=99.1
2e9=98.1
4e9=97.1
6e9=96.5
7e9=96.2
8e9=96.0
9e9=95.8
```

Save the file with the extension of *.cal* (for example, *sensor2.cal*). You can load the file to the power meter using a floppy disk or through the network.

2. *Install the hookup and preset the instrument controls:*
  - a. Turn off the power meter and the analyzer.
  - b. Connect the GPIB cables on the power meter and the analyzer rear panel.
  - c. Connect a mouse and a keyboard to the analyzer.
  - d. Turn on the power meter and the analyzer.
  - e. Set the GPIB address of the power meter to 13 (fixed).



**Figure 4-1: Hookup for storing the cal factors in the power meter**

3. *Store the calibration factors:*
  - a. If you use a floppy disk, insert it to the disk drive on the analyzer.
  - b. Press **Cal** > **Service...** > **Password**.
  - c. Enter **270833** and then press **Enter** using the numeric keypad.
  - d. Press the **Cal** side key.
  - e. Press **Measure** > **SG Flatness**.
  - f. Press the **Read Cal Factor** side key.

The file selection dialog box appears.
  - g. Enter the file name and then press the **Open** button.

The calibration factors are stored in the power meter.

### **Making Flatness Correction Files**

The auto performance verification and calibration need flatness floppy disks for the signal generators (Items 1, 2, and 3). The following procedure measures flatness correction data for the specified signal generator and saves the data to a floppy disk.

You must create or update the flatness correction file when one of these conditions is met:

- When you calibrate the analyzer initially
- When you calibrate the signal generator
- When you change the signal generator
- When you change the N-N cable
- When you change the RF attenuator
- When one year has elapsed from the last update of the file for the generator

---

**STOP.** Select either of these two procedures, depending on the signal generator(s) you use:

- Procedure 1 on page 4-7:  
*Uses one signal generator, Item 3, which covers all measurement bands: Baseband, RF1, RF2, and RF3.*
  - Procedure 2 on page 4-10:  
*Uses two signal generators: Item 1, which covers the baseband and RF1 band, and Item 2, which covers the RF2 and RF3 bands.*
-



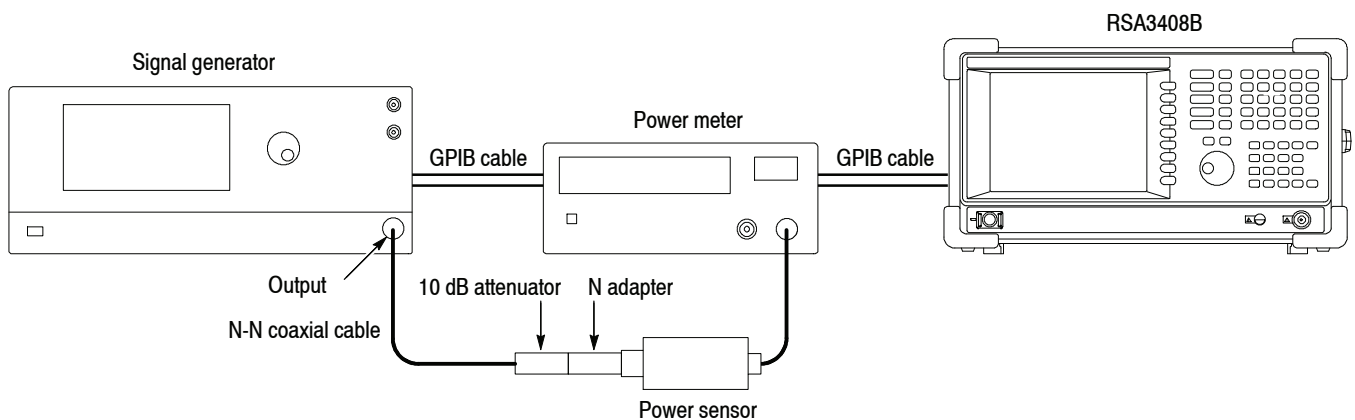
**Procedure 1** Creates or updates the flatness correction file for one signal generator (Item 3), which covers all measurement bands: Baseband, RF1, RF2, and RF3.

<b>Equipment Required</b>	One signal generator (Item 3) One power meter (Item 7) One power sensor (Item 8) One N-N cable (Item 10) Two GPIB cables (Item 11) One 10 dB attenuator (Item 13) One N adapter (Item 14) One floppy disk (Item 17)
<b>Prerequisites</b>	When using the power meter other than Agilent 437B, select HP437B for the GPIB command set. For selecting the programming language, refer to the operation manual of the instrument.

1. Prepare for the adjustment:

**NOTE.** Store the power sensor correction factors in the power meter, if not already stored. When you use the Agilent 437B power meter, refer to Storing Cal Factors in the Power Meter on page 4-4.

- a. Turn off the signal generator, power meter, and analyzer.
- b. Connect the power sensor output to the power meter input. See Figure 4-2.



**Figure 4-2: Initial test hookup**

- c. Connect the signal generator output through a 50  $\Omega$  N-N coaxial cable followed by a 10 dB attenuator and an N adapter to the power sensor input.
- d. Connect the GPIB cables on the signal generator, the power meter, and the analyzer rear panel.
- e. Turn on the signal generator, the power meter, and the analyzer.
- f. Set the GPIB address as follows:
  - Power meter . . . . . 13 (fixed)
  - Signal generator . . . . . 1 to 30 except 13
- g. *Initialize the analyzer:*
  - Press the **System** key on the front panel.
  - Press the **Reset All to Factory Defaults** side key.

2. *Modify the default settings:*

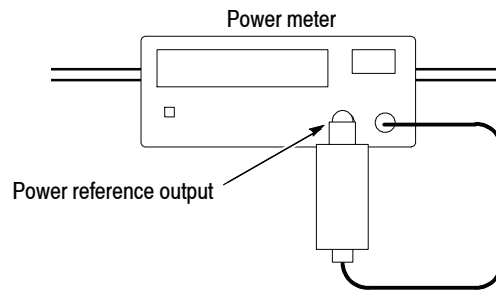
- a. Press **Cal > Service... > Password**.
- b. Input **270833** and then press **Enter** using the numeric keypad.
- c. Press the **Cal** side key.
- d. Press **Measure > SG Flatness**.
- e. Press the **Power Sensor** side key and select the sensor number that you specified when storing calibration factors, with the general purpose knob.
- f. Press the **SG** side key to select the manufacturer of the generator for the GPIB command system: HP or Anritsu.

---

**NOTE.** *The HP setting also supports Agilent and Rohde & Schwarz products.*

---

- g. Press the **GPIB Address** side key and set the address of the generator.
3. *Let the instruments warm up:* Allow a 20 minute warm-up period before you go to the next step.
4. *Calibrate the power sensor:*
- a. *Modify the hookup:* Connect the power sensor input to the power reference output of the power meter (see Figure 4-3).



**Figure 4-3: Hookup for calibrating the power sensor**

- b. Press the **Sensor Cal** side key to perform zero adjustment and calibration for the sensor.
5. *Perform the flatness measurement for the generator:*
  - a. *Modify the hookup:* Connect the signal generator output through an N-N coaxial cable followed by a 10 dB attenuator and an N adapter to the power sensor input. See Figure 4-2 on page 4-7 again.
  - b. Insert a floppy disk to the disk drive of the analyzer for storing the flatness data.
  - c. Press the **Macro Setup** key on the front panel.
  - d. Press **Go to page 2 > Create SG Flatness... > All** using the side key.

When the measurement has been completed, the flatness data is saved to the file(s) on the floppy disk:

sgrf1flatness.cal (for the baseband and RF1 band)  
 sgrf2flatness.cal (for the RF2 band)  
 sgrf3flatness.cal (for the RF3 band)

6. *Disconnect the hookup:*
  - a. Remove the floppy disk by pressing the eject button.
  - b. Turn off the signal generator, power meter, and analyzer.
  - c. Disconnect the GPIB cables.
  - d. Disconnect the power sensor and the N-N cable.

**Procedure 2** Creates or updates the flatness correction file for two signal generators: Item 1, which covers the baseband and RF1 band, and Item 2, which covers the RF2 and RF3 bands.

<b>Equipment Required</b>	One signal generator (Item 1 or 2) One power meter (Item 7) One power sensor (Item 8) One N-N cable (Item 10) Two GPIB cables (Item 11) One 10 dB attenuator (Item 13) One N adapter (Item 14) One floppy disk (Item 17)
<b>Prerequisites</b>	When using the power meter other than Agilent 437B, select HP437B for the GPIB command set. For selecting the programming language, refer to the operation manual of the instrument.

1. Prepare for the adjustment:

**NOTE.** Store the power sensor correction factors in the power meter, if not already stored. When you use the Agilent 437B power meter, refer to Storing Cal Factors in the Power Meter on page 4-4.

- a. Turn off the signal generator, power meter, and analyzer.
- b. Connect the power sensor output to the power meter input.  
See Figure 4-4.

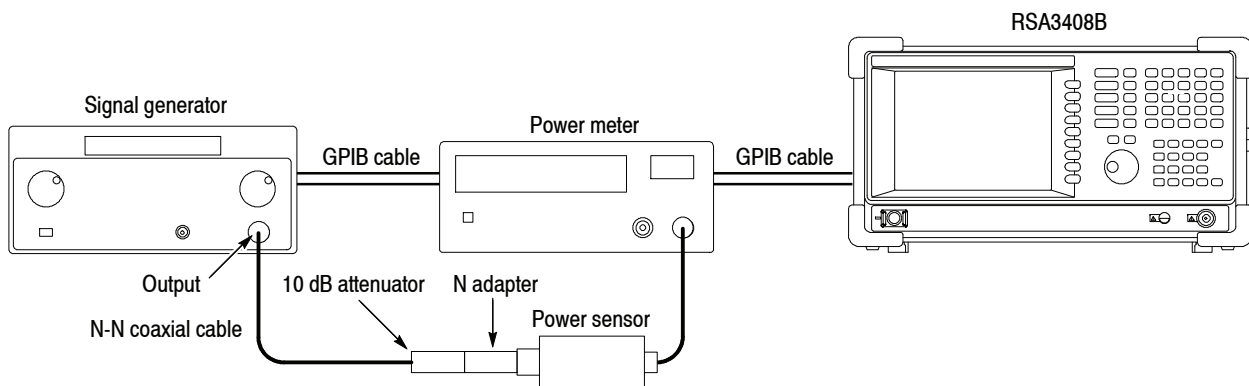
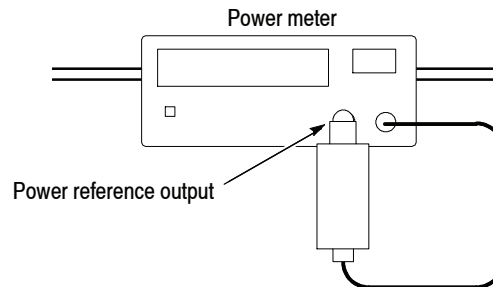


Figure 4-4: Initial test hookup

- c. Connect the signal generator output through a 50  $\Omega$  N-N coaxial cable followed by a 10 dB attenuator and an N adapter to the power sensor input.
  - d. Connect the GPIB cables on the signal generator, the power meter, and the analyzer rear panel.
  - e. Turn on the signal generator, the power meter, and the analyzer.
  - f. Set the GPIB address as follows:
    - Power meter . . . . . 13 (fixed)
    - Signal generator . . . . . 1 to 30 except 13
  - g. *Initialize the analyzer:*
    - Press the **System** key on the front panel.
    - Press the **Reset All to Factory Defaults** side key.
2. *Modify the default settings:*
- a. Press **Cal > Service... > Password**.
  - b. Enter **270833** and then press **Enter** using the numeric keypad.
  - c. Press the **Cal** side key.
  - d. Press **Measure > SG Flatness**.
  - e. Press the **Power Sensor** side key and select the sensor number that you specified when storing calibration factors, with the general purpose knob.
  - f. Press the **Band** side key to select the measurement frequency band.
    - **Low.** Measures from 1 MHz to 3.5 GHz (Baseband and RF1 band)
    - **High.** Measures from 3.5 GHz to 8 GHz (RF2 and RF3 bands)
  - g. Press the **SG** side key to select the manufacturer of the generator for the GPIB command system: HP or Anritsu.
- 
- NOTE.** *The HP setting also supports Agilent and Rohde & Schwarz products.*
- 
- h. Press the **GPIB Address** side key and set the address of the generator.
3. *Let the instruments warm up:* Allow a 20 minute warm-up period before you go to the next step.

4. *Calibrate the power sensor:*

- a. *Modify the hookup:* Connect the power sensor input to the power reference output of the power meter (see Figure 4-5).



**Figure 4-5: Hookup for calibrating the power sensor**

- b. Press the **Sensor Cal** side key to perform zero adjustment and calibration for the sensor.

5. *Perform the flatness measurement for the generator:*

- a. *Modify the hookup:* Connect the signal generator output through an N-N coaxial cable followed by a 10 dB attenuator and an N adapter to the power sensor input. See Figure 4-4 on page 4-10 again.
- b. Insert a floppy disk to the disk drive of the analyzer for storing the flatness data.
- c. Press the **Measurement** side key to perform the flatness measurement.

When the measurement has been completed, the flatness data is saved to the file(s) on the floppy disk:

sgrf1flatness.cal (for the Band setting of 230 and Low)  
sgrf2flatness.cal (for the Band setting of High)  
sgrf3flatness.cal (for the Band setting of High)

6. *Disconnect the hookup:*

- a. Remove the floppy disk by pressing the eject button.
- b. Turn off the signal generator, power meter, and analyzer.
- c. Disconnect the GPIB cables.
- d. Disconnect the power sensor and the N-N cable.

## Making Spurious Correction Files

The auto performance verification and calibration need the spurious floppy disks for the signal generators (Items 1, 2, and 3). The following procedures measure the spurious correction data for the specified signal generator and saves the data to a floppy disk.

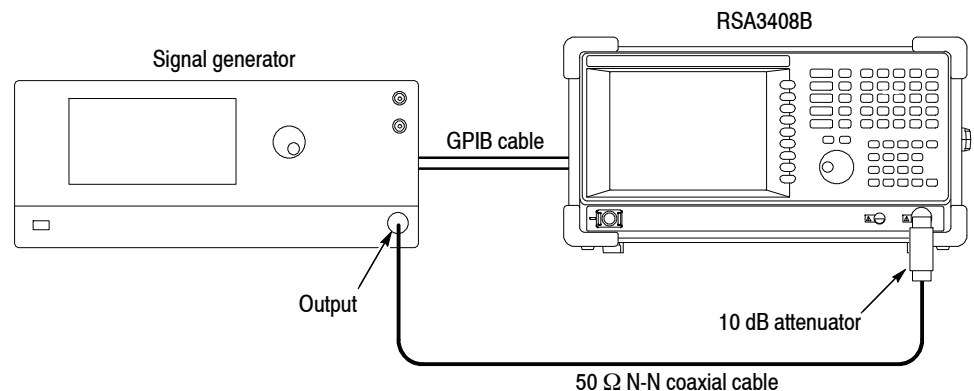
You must create or update the spurious correction file when one of these conditions is met:

- When you calibrate the analyzer initially
- When you calibrate the signal generator
- When you change the signal generator
- When one year has elapsed from the last update of the file for the generator

**NOTE.** Store the spurious correction file on the same floppy disk (Item 17) as the flatness correction file for the signal generator.

<b>Equipment Required</b>	One signal generator (Item 1, 2, or 3) One 50 $\Omega$ N-N coaxial cable (Item 10) One GPIB cable (Item 11) One RF attenuator (Item 13) One floppy disk (Item 17)
<b>Prerequisites</b>	Refer to page 4-1

1. *Prepare for the calibration:* See the following figure for the hookup.



- a. Power off the RSA3408B analyzer and the signal generator.
  - b. Connect the analyzer and the generator with a GPIB cable.
  - c. Connect the analyzer **Input** through a 10 dB attenuator followed by a 50  $\Omega$  N-N coaxial cable to the generator output.
  - d. Power on the analyzer and the generator.
  - e. Set the GPIB address of the generator, ranging from 1 to 30.
2. *Enter the calibration menu:*
- a. Press **Service... > Password** in the Cal menu.
  - b. Enter **270833** and then press **Enter** using the numeric keypad.
3. *Perform the spurious measurement for the generator:*
- a. Press the **Create SG Spur File...** side key.
  - b. Insert the SG flatness/spurious floppy disk (Item 16) for the generator to the floppy disk drive of the analyzer.
  - c. Press one of the following side keys:
    - **All**. Performs the measurement for all bands: RF1, RF2, and RF3.
    - **RF1**. Performs the measurement for the RF1 band.
    - **RF2+RF3**. Performs the measurement for the RF2 and RF3 bands.

---

**NOTE.** All takes more than 30 hours for the measurement, depending on the signal generator.

---

The spurious correction file is created on the floppy disk. Refer to Table 3-3 on page 3-10 for the file name and compatibility with other models.

4. *Disconnect the test equipment:*
- a. Disconnect the cable from the analyzer input.
  - b. Turn off the analyzer and generators.
  - c. Disconnect the GPIB cable from the generator.



**File Compatibility.** The SG spurious file created in your analyzer can be used in the other RSA and WCA models. Table 4-2 shows the file compatibility among the products.

**Table 4-2: Compatibility of the spurious correction file**

Product	Created file name	Frequency range	File-compatible product
RSA3303B	spurious_ignore3303.lst	15 MHz to 3 GHz	RSA2203A, RSA3303A, RSA3303B, WCA230A
RSA3308B	spurious_ignore3308.lst	15 MHz to 8 GHz	RSA2203A, RSA3303A, RSA3303B, WCA230A, RSA2208A, RSA3308A, RSA3308B, WCA280A
RSA3408B	spurious_ignore.lst	40 MHz to 8 GHz	RSA3408A, RSA3408B

### Setting Up Waveform Generator (Option 03 Only)

The auto calibration for the analyzer with Option 03 (IQ input) needs the AWG520 waveform generator (Item 5). The waveform files must be installed from the AWG520 Setup Disk (floppy disk, Item 18, Tektronix part number 063-3680-00) onto the AWG520 hard disk before executing the calibration.

The following two setup files (total about 10 KB) are contained in the setup floppy disk.

```
iqgain_i.wfm
iqgain_q.wfm
```

Copy all the files from the setup disk directory */wca200* to the AWG520 directory */wca200*. For copying files from a floppy disk to AWG520, refer to the *AWG500 Series User Manual*.

---

**NOTE.** When you copy the setup files on AWG520, use lowercase letters to enter the file names.

---

## Self Calibration

Perform these routines to optimize the analyzer performance:

- Gain calibration
- Center offset calibration
- DC offset calibration

Each item is explained in this section.

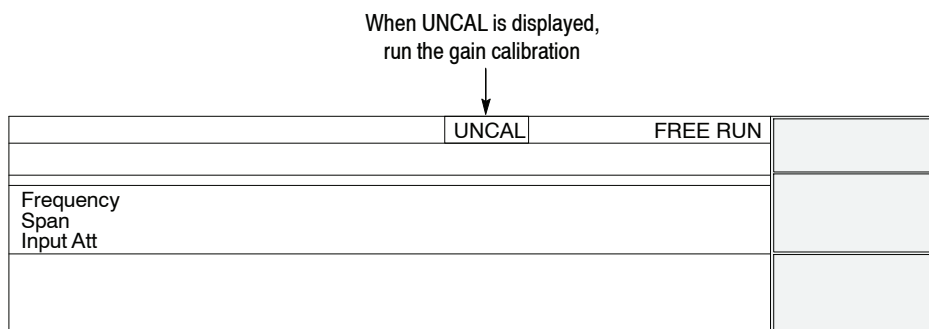
<b>Equipment Required</b>	None
<b>Prerequisites</b>	Power on the analyzer and allow a 20 minute warm-up before doing this procedure.

### Gain Calibration

The gain calibration calibrates the analyzer’s amplifier gain using the internal signal generator. Run this internal calibration routine as required when you boot the analyzer or when UNCAL (uncalibrated) is displayed during operation.

Allow the analyzer to warm up for 20 minutes before you begin the calibration. The warm-up period allows the electrical performance of the analyzer to stabilize.

During normal operation, when the ambient temperature changes by more than  $\pm 5\text{ }^{\circ}\text{C}$  from the temperature at the last calibration, UNCAL is displayed in the yellow box at the top of the screen (see Figure 4-6). If this happens, run the gain calibration.



**Figure 4-6: UNCAL display**

To run the gain calibration, do the following:

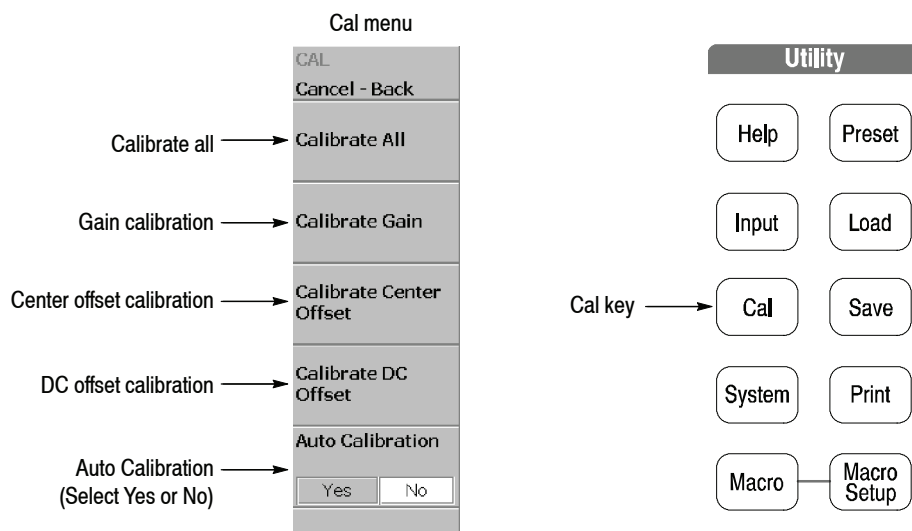
**NOTE.** When you run the gain calibration during signal acquisition, the calibration begins after the acquisition is completed.

1. Press the **Cal** key on the front panel (see Figure 4-7).
2. Press the **Calibrate Gain** side key.

The calibration runs. It takes several seconds to complete the process.

When you want to perform the gain, center offset, and DC offset calibration together, press the **Calibrate All** side key.

3. If you press the **Auto Calibration** side key to select **Yes**, the calibration will run automatically any time the analyzer gain drifts to an uncal state.



**Figure 4-7: Calibration menu**

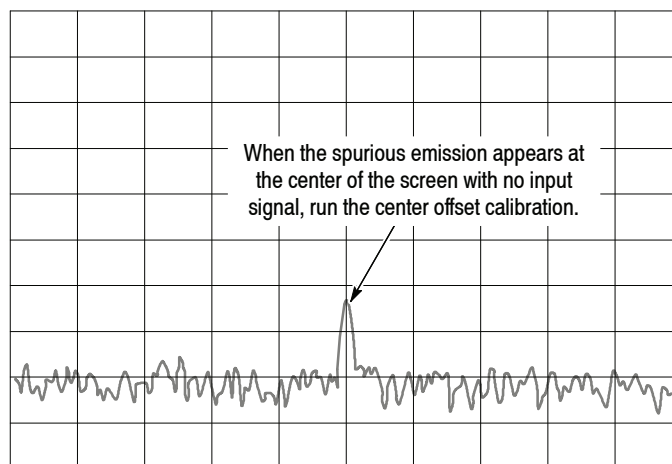
**Center Offset Calibration**

When you display a spectrum and no input signal is present, a spurious emission at the center frequency may appear regardless of frequency settings. The center offset calibration cancels those spurious emissions. If the spurious emission is too obvious when you narrow the span, run the calibration.

---

**NOTE.** *Option 03 only. When you input I and Q signals from the rear panel connectors, set the IQ input signal level to zero externally.*

---



**Figure 4-8: Center offset**

1. Press the **Cal** key on the front panel (see Figure 4-7).
2. Press the **Calibrate Center Offset** side key.

The calibration runs. It takes several seconds to complete the process.

When you want to perform the gain, center offset, and DC offset calibration together, press the **Calibrate All** side key.

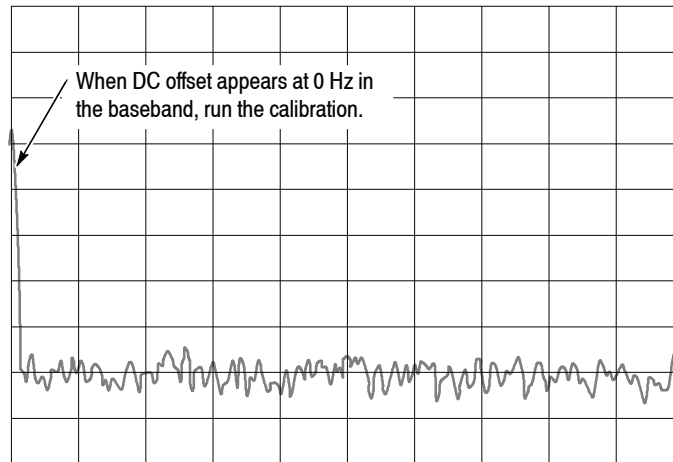
---

**NOTE.** *Enabling Auto Calibration (see Figure 4-7) allows the analyzer to run the center offset calibration automatically when analyzer settings change.*

---

**DC Offset Calibration**

The DC offset calibration cancels DC offset that appears at 0 Hz in the baseband. When you change the amplitude setting and the DC offset is too obvious, run the DC offset calibration.



**Figure 4-9: DC offset**

1. Press the **Cal** key on the front panel (see Figure 4-7).
2. Press the **Calibrate DC Offset** side key.

The calibration runs. It takes several seconds to complete the process.

When you want to perform the gain, center offset, and DC offset calibration together, press the **Calibrate All** side key.

## Auto Calibration

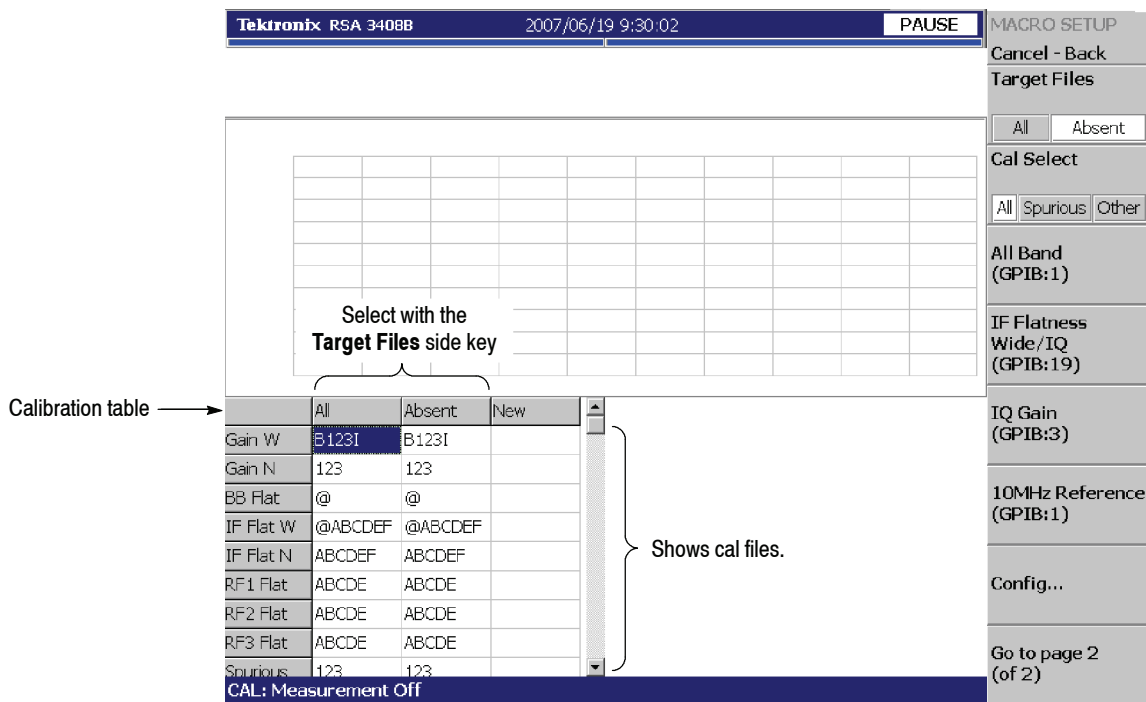
The auto calibration uses internal routines to adjust gain, flatness, and spurious response of the analyzer. It is divided into four groups due to signal connections.

- 10 MHz reference calibration
- All band calibration
- IF flatness (wide/IQ) calibration
- IQ gain calibration (Option 03 only)

Use the service Cal menu and procedure described below to set parameters and perform the tests.

### Service Cal Menu

Selects the calibration items and bands. Access this menu by pressing **Cal** (front panel) > **Service...** > **Password (270833)** > **CAL** (see Figure 4-10).



**Figure 4-10: Auto calibration initial screen**

The table on the screen shows cal files for each calibration item. Table 4-3 summarizes the calibration items.

**Table 4-3: Calibration items**

Calibration group	Calibration item	Description	Execution side key
10 MHz reference	- <sup>1</sup>	10 MHz internal reference output frequency	10 MHz Reference
All band	Gain W	Gain in the baseband, RF1, RF2, and RF3 wideband	All Band
	Gain N	Gain in RF1, RF2, and RF3 narrowband	
	BB Flat	Flatness in the baseband	
	IF Flat N	Flatness in RF1, RF2, and RF3 narrowband	
	RF1 Flat	Flatness in the RF1 band	
	RF2 Flat	Flatness in the RF2 band	
	RF3 Flat	Flatness in the RF3 band	
	Spurious	Spurious in the RF1, RF2, and RF3 bands	
IF flatness (wide/IQ)	IF Flat W	Flatness in RF1, RF2, and RF3 wideband	IF Flatness Wide/IQ
IQ gain (Option 03 only)	Gain W	IQ gain	IQ Gain

<sup>1</sup> Not shown in the calibration table on the screen. The 10 MHz reference calibration constant is written in the Dac.cal file.

The service Cal menu has the following controls:

**Target Files.** Selects the calibration items.

- **All.** Selects all calibration. (See the All column in the table on the screen.)  
The results are overwritten to the existing cal files.
- **Absent.** Selects the calibration that has no cal file.  
(See the Absent column in the table on the screen.)

**Cal Select.** Selects the calibration items for the All Band group in Table 4-3.

- **All.** Selects all the calibration items in the All Band group.
- **Spurious.** Selects the spurious calibration only.

---

**NOTE.** It takes about three hours to perform the spurious calibration for each of the RF1, RF2, and RF3 bands (about nine hours in total).

---

- **Other.** Selects all the calibration except spurious in the All Band group.

**All Band.** Performs the selected calibration in all bands (Baseband, RF1, RF2, and RF3). Measurement bandwidth: 1 MHz to 8 GHz.

---

**NOTE.** You can select the calibration frequency band using the **BB**, **BB+RF1**, **RF2+RF3**, and **RF1+RF2+RF3** side keys described below.

---

**IF Flatness Wide/IQ.** Performs the IF flatness (wide/IQ) calibration.

**IQ Gain.** *Option 03 only.* Performs the IQ gain calibration.

**10MHz Reference.** Performs the 10 MHz reference oscillator calibration.

**BB.** Performs the selected calibration in the baseband.  
Measurement bandwidth: 1 MHz to 40 MHz

**RF1.** Performs the selected calibration in the RF1 band.  
Measurement bandwidth: 40 MHz to 3.5 GHz

**BB+RF1.** Performs the selected calibration in the baseband and RF1 bands.  
Measurement bandwidth: 1 MHz to 3.5 GHz

**RF2+RF3.** Performs the selected calibration in the RF2 and RF3 bands.  
Measurement bandwidth: 3.5 GHz to 8 GHz

**RF1+RF2+RF3.** Performs the selected calibration in the RF1, RF2, and RF3 bands. Measurement bandwidth: 40 MHz to 8 GHz

**Config...** Sets the signal generator manufacturer and the GPIB address.

- **SG Type.** Selects the manufacturer of the generator for the GPIB command system: HP or Anritsu.

---

**NOTE.** The HP setting also supports Agilent and Rohde & Schwarz products.

---

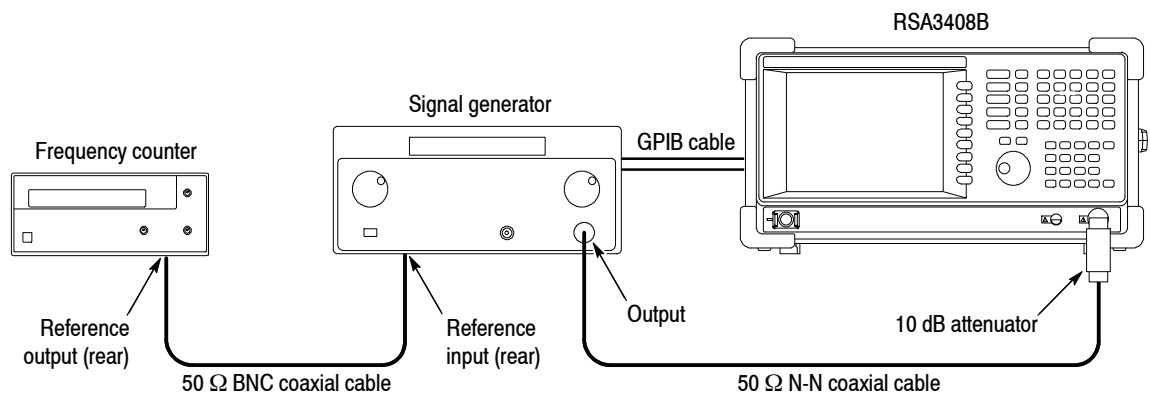
- **SG Address.** Sets the GPIB address for the signal generator (Item 1, 2, or 3).
- **Modulation SG Address.** Sets the GPIB address for the modulation signal generator (Item 4).
- **AWG Address.** Sets the GPIB address for the waveform generator (Item 5).



**10 MHz Reference Calibration**

<b>Equipment Required</b>	One signal generator (Item 1 or 3) One frequency counter (Item 6) One 50 $\Omega$ BNC coaxial cable (Item 9) One 50 $\Omega$ N-N coaxial cable (Item 10) One GPIB cable (Item 11) One RF attenuator (Item 13)
<b>Prerequisites</b>	Refer to page 4-1  Warm up the analyzer for more than 20 minutes and the frequency counter for more than 24 hours.

1. *Prepare for the calibration:* See the following figure for the hookup.



- a. Power off the RSA3408B analyzer and the signal generator.
- b. Connect the analyzer and the generator with GPIB cable.
- c. Connect the analyzer **Input** through a 10 dB attenuator followed by a 50  $\Omega$  N-N coaxial cable to the generator output.
- d. Power on the analyzer and the generator.
- e. Set the GPIB address of the generator, ranging from 1 to 30.
- f. Connect the reference output of the frequency counter through a 50  $\Omega$  BNC coaxial cable to the reference input of the signal generator.

2. *Enter the calibration menu:*
  - a. Press **Service... > Password** in the Cal menu.
  - b. Enter **270833** and then press **Enter** using the numeric keypad.
  - c. Press the **Cal** side key.
  - d. *Set the GPIB address of the generator:*
    - Press the **Config...** side key.
    - Press the **SG Type** side key to select the manufacturer of the generator for the GPIB command system: HP or Anritsu.
    - Press the **SG Address** side key and set the generator address.
    - Press the **Cancel-Back** side key.
3. *Perform the 10 MHz reference calibration:*

Press the **10MHz Reference** side key to run the calibration.
4. *Disconnect the test equipment:*
  - a. Disconnect the cable from the analyzer input.
  - b. Turn off the analyzer and generator.
  - c. Disconnect the GPIB cable.

**All Band Calibration**

Use the following procedure to perform the auto calibration.

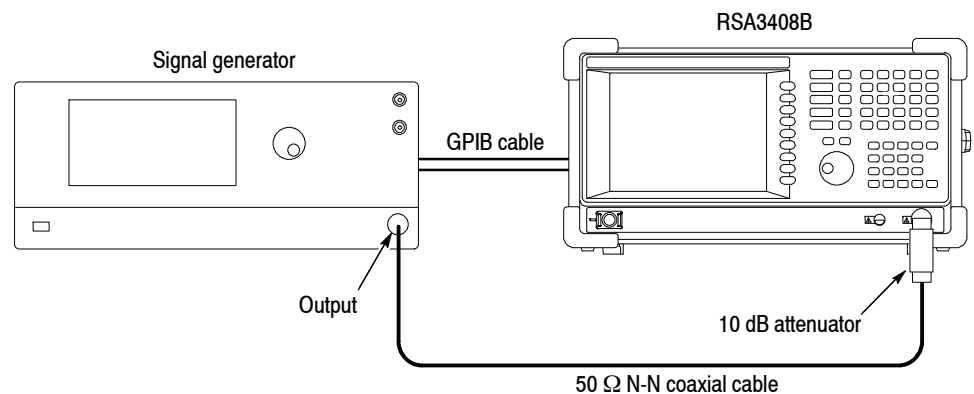
**STOP.** Select either of these two procedures, depending on the signal generator(s) you use:

- Procedure 1 below:  
Uses one signal generator, Item 3, which covers all measurement bands (Baseband, RF1, RF2, and RF3).
- Procedure 2 on page 4-27:  
Uses two signal generators: Item 1, which covers the baseband and RF1 band and Item 2, which covers the RF2 and RF3 bands.

**Procedure 1.** Performs the all band calibration using one signal generator (Item 3) that covers all measurement bands (Baseband, RF1, RF2, and RF3).

<b>Equipment Required</b>	One signal generator (Item 3) One 50 $\Omega$ N-N coaxial cable (Item 10) GPIB cables (Item 11) One RF attenuator (Item 13) One SG flatness floppy disk (Item 17)
<b>Prerequisites</b>	Refer to page 4-1

1. *Prepare for the calibration:* See the following figure for the hookup.



- a. Power off the RSA3408B analyzer and the signal generator.
  - b. Connect the analyzer and the generator with GPIB cable.
  - c. Connect the analyzer **Input** through a 10 dB attenuator followed by a 50  $\Omega$  N-N coaxial cable to the generator (Item 3) output.
  - d. Power on the analyzer and the generator.
  - e. Set the GPIB address of the generator, ranging from 1 to 30.
  - f. Insert the SG flatness floppy disk (Item 16) for the generator to the floppy disk drive of the analyzer.
2. *Enter the calibration menu:*
- a. Press **Service...** > **Password** in the Cal menu.
  - b. Enter **270833** and then press **Enter** using the numeric keypad.
  - c. Press the **Cal** side key.
  - d. *Set the GPIB address of the generator:*
    - Press the **Config...** side key.
    - Press the **SG Type** side key to select the manufacturer of the generator for the GPIB command system: HP or Anritsu.
    - Press the **SG Address** side key and set the generator address.
    - Press the **Cancel-Back** side key.
3. *Perform the all band calibration:*
- a. Press the **Target Files** side key to select **All**.
  - b. Press the **Cal Select** side key to select **All**.
  - c. Press the **All Band** side key to run the calibration.

---

**NOTE.** You can select the calibration items and bands as described in Service Cal Menu on page 4-20.

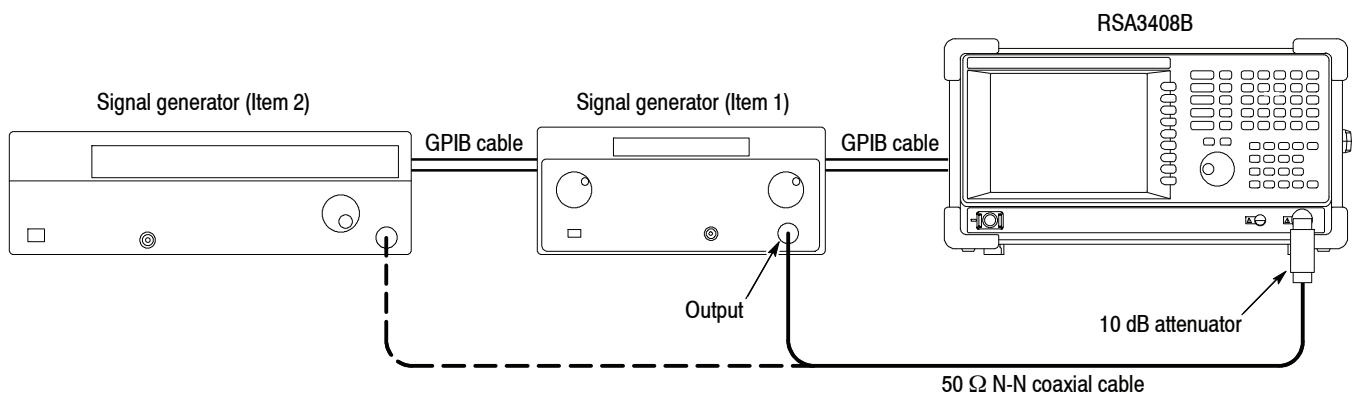
---

4. *Disconnect the test equipment:*
- a. Disconnect the cable from the analyzer input.
  - b. Turn off the analyzer and generators.
  - c. Disconnect the GPIB cable from the generator.

**Procedure 2.** Performs the all band calibration using two signal generators: Item 1, which covers the baseband and RF1 band and Item 2, which covers the RF2 and RF3 bands.

<b>Equipment Required</b>	Two signal generators (Items 1 and 2) One 50 $\Omega$ N-N coaxial cable (Item 11) One 10 dB attenuator (Item 14) One GPIB cable (Item 13, two required) One SG flatness floppy disk (Item 16) for each signal generator
<b>Prerequisites</b>	Refer to page 4-1

1. *Prepare for the calibration:* See the following figure for the hookup.



- a. Power off the RSA3408B analyzer and the signal generators.
- b. Connect the analyzer and the generators with GPIB cables.
- c. Connect the analyzer **Input** through a 10 dB attenuator followed by a 50  $\Omega$  N-N coaxial cable to the generator (Item 1) output.
- d. Power on the analyzer and the generators.
- e. Set the GPIB address of the generators, ranging from 1 to 30.
- f. Insert the SG flatness floppy disk (Item 16) for the generator (Item 1) to the floppy disk drive of the analyzer.

2. *Enter the calibration menu:*
  - a. Press **Service... > Password** in the Cal menu.
  - b. Enter **270833** and then press **Enter** using the numeric keypad.
  - c. Press the **Cal** side key.
  - d. *Set the GPIB address of the generator:*
    - Press the **Config...** side key.
    - Press the **SG Type** side key to select the manufacturer of the generator (Item 1) for the GPIB command system: HP or Anritsu.
    - Press the **SG Address** side key and set the generator address.
    - Press the **Cancel-Back** (top) side key.
3. *Perform the calibration in the baseband and RF1 band:*

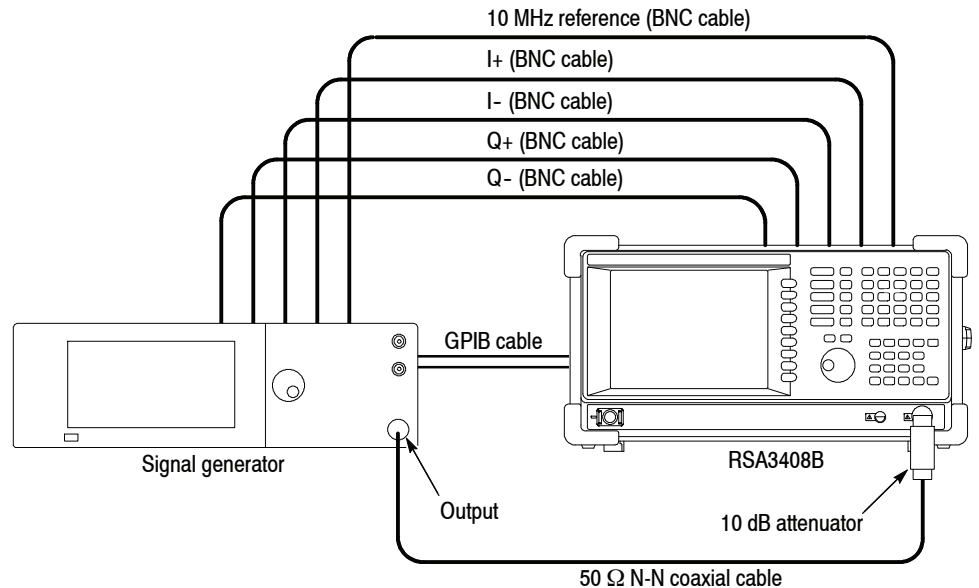
Press the **BB+RF1** side key to run the calibration.
4. *Change the signal generator:*
  - a. Disconnect the N-N cable from the signal generator (Item 1) output.
  - b. Connect the N-N cable to the signal generator (Item 2) output.
  - c. *Set the GPIB address of the generator:*
    - Press the **Config...** side key.
    - Press the **SG Type** side key to select the manufacturer of the generator (Item 2) for the GPIB command system: HP or Anritsu.
    - Press the **SG Address** side key and set the generator address.
    - Press the **Cancel-Back** (top) side key.
5. *Perform the calibration in the RF2 and RF3 bands:*

Press the **RF2+RF3** side key to run the calibration.
6. *Disconnect the test equipment:*
  - a. Disconnect the N-N cable from the analyzer input.
  - b. Turn off the analyzer and generators.
  - c. Disconnect the GPIB cables from the generators.

**IF Flatness (Wide/IQ)  
Calibration**

<b>Equipment Required</b>	One signal generator (Item 4) Five 50 $\Omega$ BNC coaxial cables (Item 9) One 50 $\Omega$ N-N coaxial cable (Item 10) One GPIB cable (Item 11) One RF attenuator (Item 13)
<b>Prerequisites</b>	Refer to page 4-1  Warm up the analyzer for more than one hour to stabilize the bandpass filter (YTF).

1. *Prepare for the calibration:* See the following figure for the hookup.



- a. Power off the RSA3408B analyzer and the signal generator.
- b. Connect the analyzer and the generator with GPIB cable.
- c. Connect the analyzer **Input** through a 10 dB attenuator followed by a 50  $\Omega$  N-N coaxial cable to the generator output.

- d. Connect the following connectors using 50  $\Omega$  BNC coaxial cables:
    - **REF OUT** of the analyzer to 10 MHz reference input of the generator
    - **I+ INPUT** of the analyzer to I output of the generator
    - **I- INPUT** of the analyzer to  $\bar{I}$  output of the generator
    - **Q+ INPUT** of the analyzer to Q output of the generator
    - **Q- INPUT** of the analyzer to  $\bar{Q}$  output of the generator
  - e. Power on the analyzer and the generator.
  - f. Set the GPIB address of the generator, ranging from 1 to 30.
2. *Enter the calibration menu:*
    - a. Press **Service... > Password** in the Cal menu.
    - b. Enter **270833** and then press **Enter** using the numeric keypad.
    - c. Press the **Cal** side key.
    - d. *Set the GPIB address of the generator:*
      - Press the **Config...** side key.
      - Press the **Modulation SG Address** side key and set the address.
      - Press the **Cancel-Back** side key.
  3. *Perform the IF flatness calibration in all bands:*
    - a. Press the **Target Files** side key to select **All**.
    - b. Press the **IF Flatness Wide/IQ** side key to run the calibration.

---

**NOTE.** You can select the calibration items and bands as described in Service Cal Menu on page 4-20.

---

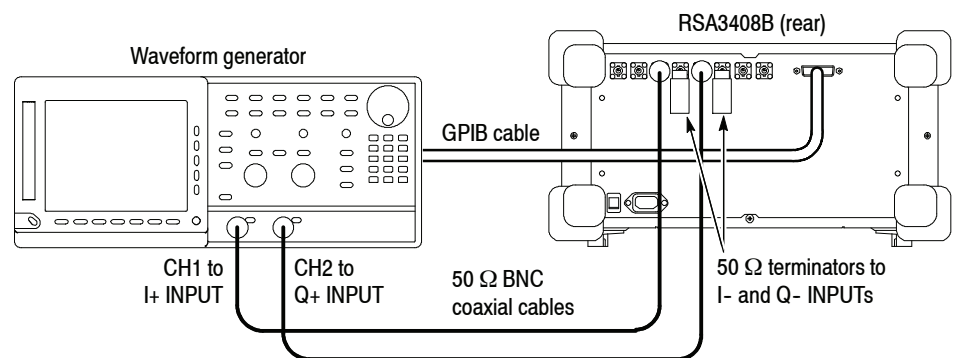
4. *Disconnect the test equipment:*
  - a. Disconnect the cable from the analyzer input.
  - b. Turn off the analyzer and generator.
  - c. Disconnect the GPIB cable from the generator.



**IQ Gain Calibration  
(Option 03 Only)**

<b>Equipment Required</b>	One waveform generator (Item 5) One 50 $\Omega$ BNC coaxial cable (Item 9) GPIB cable (Item 11) Two 50 $\Omega$ terminators (Item 12)
<b>Prerequisites</b>	Refer to page 4-1

1. *Prepare for the calibration:* See the following figure for the hookup.



- a. Power off the RSA3408B analyzer and the waveform generator.
  - b. Connect the analyzer and the generator with a GPIB cable.
  - c. Connect CH1 and CH2 of the generator through 50  $\Omega$  BNC coaxial cables to I+ INPUT and Q+ INPUT on the rear panel of the analyzer, respectively.
  - d. Connect 50  $\Omega$  terminators to I- INPUT and Q- INPUT on the rear panel of the analyzer.
  - e. Power on the analyzer and the generator.
  - f. Set the GPIB address of the generator, ranging from 1 to 30.
2. *Enter the calibration menu:*
    - a. Press **Service...** > **Password** in the Cal menu.
    - b. Enter **270833** and then press **Enter** using the numeric keypad.
    - c. Press the **Cal** side key.

- d. Set the GPIB address of the generator:*
        - Press the **Config...** side key.
        - Press the **AWG Address** side key and set the generator address.
        - Press the **Cancel-Back** side key.
    - 3. Perform the IQ gain calibration in all bands:*
      - a.* Press the **Target Files** side key to select **All**.
      - b.* Press the **IQ Gain** side key to perform the IQ gain calibration.

---

**NOTE.** You can select the calibration items and bands as described in Service Cal Menu on page 4-20.

---

- 4. Disconnect the test equipment:*
  - a.* Disconnect the cable from the analyzer input.
  - b.* Turn off the analyzer and generators.
  - c.* Disconnect the GPIB cables from all the ports.

## Reconfiguration of RF Modules

The following procedures update the down-converter configuration file when replacing the RF3 module and/or YTF unit.

---

**STOP.** Before doing the following procedures, note the gain and offset values which are indicated on the front surface of the module.

---

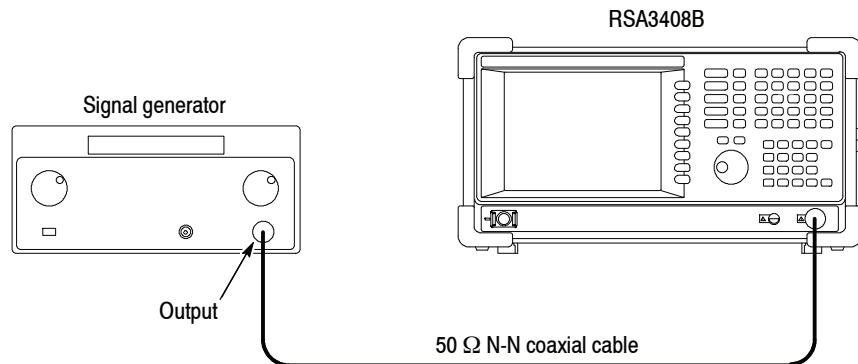
### Reconfiguration of the RF3 Module

When replacing the RF3 module, do the following procedure.

<b>Equipment Required</b>	One signal generator (Item 1) One 50 $\Omega$ N-N coaxial cable (Item 10)
---------------------------	--

1. *Modify the RF3 DAC setting:*
  - a. Press the **Cal** key on the front panel.
  - b. Press the side key **Service... > Password**.
  - c. Enter **270833** and then press **Enter** using the numeric keypad.
  - d. Press the side key **DEBUG > YTO Tune DAC...**
  - e. Press the **Gain** side key and enter the gain of the RF3 module.
  - f. Press the **Offset** side key and enter the offset of the RF3 module.
2. *Prepare for the adjustment:*
  - a. *Set the signal generator controls:*

Frequency .....	1500 MHz
Amplitude .....	-10 dBm
RF Output .....	On
  - b. *Hook up the signal generator:* Connect the generator output through a 50  $\Omega$  N-N coaxial cable to the analyzer **Input**. See Figure 4-11.



**Figure 4- 11: Test hookup**

- c. *Initialize the analyzer:*

  - Press the **System** key on the front panel.
  - Press the **Reset All to Factory Defaults** side key.
- d. *Modify the default settings:*

  - Press the **Span** key on the front panel.
  - With the **Span** side key, set the span to 3 GHz using the numeric keypad.
3. *Check the spectrum:* Confirm that a spectrum displays at 1.5 GHz.
4. *Disconnect the test equipment:* Disconnect the cable at **Input**.

## Reconfiguration of the YTF Unit

When replacing the YTF unit, do the following procedure:

<b>Equipment Required</b>	One signal generator (Item 1) One 50 $\Omega$ N-N coaxial cable (Item 10)
---------------------------	--

**1. Modify the YTF unit DAC setting:**

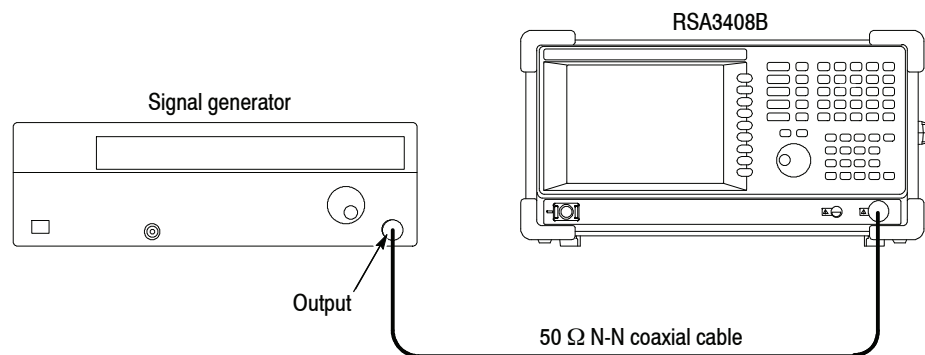
- a. Press the **Cal** key on the front panel.
- b. Press the side key **Service... > Password**.
- c. Enter **270833** and then press **Enter** using the numeric keypad.
- d. Press the side key **DEBUG > YTF Tune DAC...**
- e. Press the **Gain** side key and enter the gain of the YTF unit.
- f. Press the **Offset** side key and enter the offset of the YTF unit.

**2. Prepare for the adjustment:**

**a. Set the signal generator controls:**

Frequency ..... 6500 MHz  
 Amplitude ..... -10 dBm  
 RF Output ..... On

- b. Hook up the signal generator:** Connect the generator output through a 50  $\Omega$  N-N coaxial cable to the analyzer **INPUT**. See Figure 4-12.



**Figure 4-12: Test hookup**

- c.** *Initialize the analyzer:*

  - Press the **System** key on the front panel.
  - Press the **Reset All to Factory Defaults** side key.
- d.** *Modify the default settings:*

  - Press the **Frequency/Channel** key on the front panel.
  - With the **Center Freq** side key, set the frequency to 6.5 GHz using the numeric keypad.
  - Press the **Span** key on the front panel.
  - With the **Span** side key, set the span to 3 GHz using the numeric keypad.
- 3.** *Check the spectrum:* Confirm that a spectrum displays at 6.5 GHz.
- 4.** *Disconnect the test equipment:* Disconnect the cable at **Input**.

# Maintenance

This section contains the information needed to do periodic and corrective maintenance on the RSA3408B 8 GHz Real-Time Spectrum Analyzer. The following subsections are included:

- *Preparation* — Introduction plus general information on preventing damage to internal modules when doing maintenance.
- *Inspection and Cleaning* — Information and procedures for inspecting the analyzer and cleaning its external and internal modules.
- *Removal and Installation Procedures* — Procedures for the removal of defective modules and replacement of new or repaired modules. Also included is a procedure for disassembly of the analyzer for cleaning.
- *Troubleshooting* — Information for isolating and troubleshooting failed modules. Included are instructions for operating the analyzer's internal diagnostic routines and troubleshooting trees.

## Related Maintenance Procedures

The following sections contain information and procedures related to maintenance.

- Section 2, *Theory of Operation*, contains a circuit description at the module, or block, level.
- Section 3, *Performance Verification*, contains procedures that may be useful in isolating problems to modules by testing analyzer performance.
- Section 4, *Adjustment Procedures*, addresses after repair adjustment and the interval between periodic adjustments. Procedures for adjusting the analyzer are included in this section.
- Section 6, *Diagrams*, contains a block diagram using individual modules as blocks and an interconnection diagram showing connections between modules.
- Section 7, *Replaceable Parts List*, lists all field replaceable modules by part number.

## Preparation

Before servicing this product, read the *Safety Summary* and *Introduction* at the front of the manual and the following ESD information.



---

**CAUTION.** *Static discharge can damage any semiconductor component in this analyzer.*

---

### Preventing ESD

When performing any service that requires internal access to the analyzer, adhere to the following precautions to avoid damaging internal modules and their components due to electrostatic discharge (ESD).

1. Minimize handling of static-sensitive modules.
2. Transport and store static-sensitive modules in their static protected containers or on a metal rail. Label any package that contains static-sensitive modules.
3. Discharge the static voltage from your body by wearing a grounded antistatic wrist strap while handling these modules. Do service of static-sensitive modules only at a static-free work station.
4. Nothing capable of generating or holding a static charge should be allowed on the work station surface.
5. Handle circuit boards by the edges when possible.
6. Do not slide the modules over any surface.
7. Avoid handling modules in areas that have a floor or work-surface covering capable of generating a static charge.



**Susceptibility to ESD**

Table 5-1 lists the relative susceptibility of various classes of semiconductors. Static voltages of 1 kV to 30 kV are common in unprotected environments.

**Table 5-1: Relative susceptibility to static-discharge damage**

<b>Semiconductor classes</b>	<b>Relative susceptibility levels<sup>1</sup></b>
MOS or CMOS microcircuits or discrete circuits, or linear microcircuits with MOS inputs (most sensitive)	1
ECL	2
Schottky signal diodes	3
Schottky TTL	4
High-frequency bipolar transistors	5
JFET	6
Linear microcircuits	7
Low-power Schottky TTL	8
TTL (least sensitive)	9

<sup>1</sup> **Voltage equivalent for levels (voltage discharged from a 100 pF capacitor through resistance of 100 ohms):**

<b>1 = 100 to 500 V</b>	<b>6 = 600 to 800 V</b>
<b>2 = 200 to 500 V</b>	<b>7 = 400 to 1000 V (est.)</b>
<b>3 = 250 V</b>	<b>8 = 900 V</b>
<b>4 = 500 V</b>	<b>9 = 1200 V</b>
<b>5 = 400 to 600 V</b>	

## Inspection and Cleaning

*Inspection and Cleaning* describes how to inspect for dirt and damage. It also describes how to clean the exterior and interior of the analyzer. Inspection and cleaning are done as preventive maintenance. Preventive maintenance, when done regularly, may prevent analyzer malfunction and enhance its reliability.

Preventive maintenance consists of visually inspecting and cleaning the analyzer and using general care when operating it.

How often to do maintenance depends on the severity of the environment in which the analyzer is used. A proper time to perform preventive maintenance is just before analyzer adjustment.

### General Care

The cabinet helps keep dust out of the analyzer and should normally be in place when operating the analyzer.

### Inspection and Cleaning Procedures

Inspect and clean the analyzer as often as operating conditions require. The collection of dirt on components inside can cause them to overheat and breakdown. (Dirt acts as an insulating blanket, preventing efficient heat dissipation.) Dirt also provides an electrical conduction path that could cause an analyzer failure, especially under high-humidity conditions.



---

**CAUTION.** *Avoid the use of chemical cleaning agents, which might damage the plastics used in this analyzer. Use only deionized water when cleaning the menu buttons or front-panel buttons. Use a 75% isopropyl alcohol solution as a cleaner and rinse with deionized water. Before using any other type of cleaner, consult your Tektronix Service Center or representative.*

---

**Inspection — Exterior.** Inspect the outside of the analyzer for damage, wear, and missing parts, using Table 5-2 as a guide. Analyzers that appear to have been dropped or otherwise abused should be checked thoroughly to verify correct operation and performance. Immediately repair defects that could cause personal injury or lead to further damage to the analyzer.

**Table 5-2: External inspection check list**

Item	Inspect for	Repair action
Cabinet, front panel, and cover	Cracks, scratches, deformations, damaged hardware or gaskets.	Repair or replace defective module.
Front-panel knobs	Missing, damaged, or loose knobs.	Repair or replace missing or defective knobs.
Connectors	Broken shells, cracked insulation, and deformed contacts. Dirt in connectors.	Repair or replace defective modules. Clear or wash out dirt.
Carrying handle, bail, cabinet feet	Correct operation.	Repair or replace defective module.
Accessories	Missing items or parts of items, bent pins, broken or frayed cables, and damaged connectors.	Repair or replace damaged or missing items, frayed cables, and defective modules.

**Cleaning Procedure — Exterior.** To clean the analyzer exterior, do the following steps:

1. Remove loose dust on the outside of the analyzer with a lint free cloth.
2. Remove remaining dirt with a lint free cloth dampened in a general purpose detergent-and-water solution. Do not use abrasive cleaners.
3. Clean the light filter protecting the monitor screen with a lint-free cloth dampened with either isopropyl alcohol or, preferably, a gentle, general purpose detergent-and-water solution.



**CAUTION.** To prevent getting moisture inside the analyzer during external cleaning, use only enough liquid to dampen the cloth or applicator.

**Inspection — Interior.** To access the inside of the analyzer for inspection and cleaning, refer to the *Removal and Installation Procedures* in this section.

Inspect the internal portions of the analyzer for damage and wear, using Table 5-3 as a guide. Defects found should be repaired immediately.




---

**CAUTION.** *To prevent damage from electrical arcing, ensure that circuit boards and components are dry before applying power to the analyzer.*

---

**Table 5-3: Internal inspection check list**

Item	Inspect for	Repair action
Circuit boards	Loose, broken, or corroded solder connections. Burned circuit boards. Burned, broken, or cracked circuit-run plating.	Remove failed module and replace with a new module.
Wiring and cables	Loose plugs or connectors. Burned, broken, or frayed wiring.	Firmly seat connectors. Repair or replace the modules that have defective wires or cables.
Chassis	Dents, deformations, and damaged hardware.	Straighten, repair, or replace defective hardware.

**Cleaning Procedure — Interior.** To clean the analyzer interior, do the following steps:

1. Blow off dust with dry, low-pressure, deionized air (approximately 9 psi).
2. Remove any remaining dust with a lint-free cloth dampened in isopropyl alcohol (75% solution) and rinse with warm deionized water. (A cotton-tipped applicator is useful for cleaning in narrow spaces and on circuit boards.)

---

**STOP.** *For further cleaning, contact your local Tektronix service center.*

---

# Removal and Installation Procedures

This subsection contains procedures for removal and installation of all mechanical and electrical modules. Any electrical or mechanical assembly, or part listed in Section 10 of this manual is a module.

## Preparation



---

**WARNING.** Before doing this or any other procedure in this manual, read the Safety Summary found at the beginning of this manual. Also, to prevent possible injury to service personnel or damage to this analyzer's components, read Installation in Section 2, and Preventing ESD in this section.

---

This subsection contains the following items:

- This preparatory information that you need to properly do the procedures that follow.
- List of tools required to remove and disassemble all modules.
- Nine module locator diagrams for finding the External modules (see Figure 5-2), RF modules (see Figure 5-3), CPU board and disk modules (see Figure 5-4), Removable hard disk modules (Option 06 only, see Figure 5-5), Motherboard and daughterboards (see Figure 5-6), Bottom modules - Power supply (see Figure 5-7), Bottom modules - RF1 (see Figure 5-8), Front panel modules (see Figure 5-9), and Chassis modules (see Figure 5-10) in this analyzer.
- Procedures for removal and reinstallation of the electrical and mechanical modules.
- A disassembly procedure for removal of all the major modules from the analyzer at one time and for reassembly of those modules into the analyzer. Such a complete disassembly is normally only done when completely cleaning the analyzer. (Cleaning instructions are found under *Inspection and Cleaning* at the beginning of this section.)



---

**WARNING.** Before doing any procedure in this subsection, disconnect the power cord from the line voltage source. Failure to do so could cause serious injury or death.

---

**List of Modules**      Section 10 lists all modules.

---

**General Instructions**      ***STOP. READ THESE GENERAL INSTRUCTIONS BEFORE REMOVING A MODULE.***

*First read over the Summary of Procedures that follows to understand how the procedures are grouped. Then read Equipment Required for a list of the tools needed to remove and install modules in this analyzer.*

*If you are removing a module for service, begin by doing the procedure Access Procedure (page 5-21). By following the instructions in that procedure, you remove the module to be serviced while removing the minimum number of additional modules.*

---

**Summary of Procedures**

The procedures are described in the order in which they appear in this section. In addition, you can look up any procedure for removal and reinstallation of any module in the *Table of Contents* of this manual.

The *Access Procedure* on page 5-21 first directs you to the procedure(s) (if any) that are required to access the module to be serviced, then it directs you to the procedure to remove that module.

**Table 5-4: Summary of procedures**

Procedure	Module	Page
Procedures for external modules	<ul style="list-style-type: none"> <li>■ Line cord</li> <li>■ Cabinet</li> <li>■ Front cushion</li> <li>■ Cabinet modules</li> </ul>	5-22
Procedures for RF Modules	<ul style="list-style-type: none"> <li>■ RF2 module</li> <li>■ RF3 module</li> <li>■ RF4 module</li> <li>■ RF5 module</li> <li>■ RF6 module</li> </ul>	5-27
Procedures for CPU board and disk modules	<ul style="list-style-type: none"> <li>■ CPU board</li> <li>■ Hard disk drive</li> <li>■ Floppy disk drive</li> <li>■ A62 Front connection board</li> <li>■ Removable hard drive (Option 06 only)</li> </ul>	5-31
Procedures for motherboard and daughterboards	<ul style="list-style-type: none"> <li>■ A10 A/D board</li> <li>■ A42 DIFP board</li> <li>■ A50 motherboard</li> <li>■ A70 DC power board</li> </ul>	5-41
Procedures for power supply modules on the instrument bottom	<ul style="list-style-type: none"> <li>■ Power supply 1</li> <li>■ Power supply 2</li> <li>■ Power supply 3</li> <li>■ A71 AC power board</li> <li>■ Line filter</li> <li>■ Principal power switch</li> </ul>	5-46
Procedures for RF1 modules on the instrument bottom	<ul style="list-style-type: none"> <li>■ A100 Cal generator board</li> <li>■ Step attenuator</li> <li>■ Band relay</li> <li>■ Bandpass filter (YTF)</li> <li>■ Input relay</li> </ul>	5-51
Procedures for front panel modules	<ul style="list-style-type: none"> <li>■ Front panel assembly</li> <li>■ Front bezel</li> <li>■ Menu buttons</li> <li>■ Front panel</li> <li>■ Rotary encoder</li> <li>■ LCD display</li> <li>■ A60 Front key board</li> <li>■ A61 Power switch board</li> <li>■ RF input connector</li> <li>■ Preamp power connector</li> </ul>	5-56
Procedures for chassis modules	<ul style="list-style-type: none"> <li>■ Fan</li> <li>■ Side panel assembly</li> <li>■ Board guide bracket</li> <li>■ Rear panel modules</li> </ul>	5-62

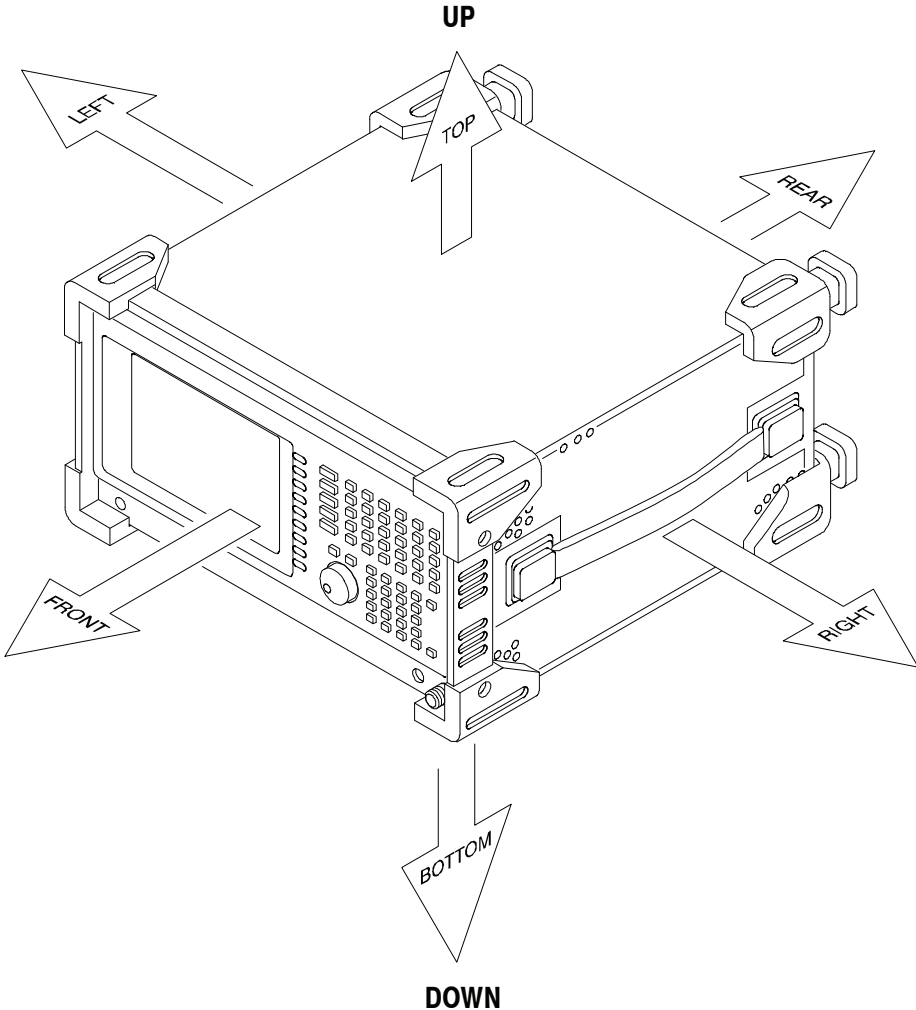
**Equipment Required.** Most modules in this analyzer can be removed with a screwdriver with a size #2, Phillips tip. *Use this tool whenever a procedure step instructs you to remove or install a screw unless a different size screwdriver is specified in that step.* All equipment required to remove and reinstall a module are listed in the first step of each procedure.

**Table 5-5: Tools required for module removal**

Item No.	Name	Description	Tektronix part number
1	Screwdriver handle	Accepts $\frac{1}{4}$ inch hex-head driver tips	
2	#1 Phillips tip	Phillips-driver bit for #1 size screw heads	
3	#2 Phillips tip	Phillips-driver bit for #2 size screw heads	
4	No. 2 Pozidriv tip	Pozidriv-driver bit for number 2 size screw heads	
5	Flat-bladed screwdriver	Screwdriver for removing standard-headed screws	
6	SMA torque driver	Accepts SMA hex-head driver bits	003-1423-91
7	Long type bit	Long type bit (H 8 mm $\times$ L 130 mm) for SMA/3.5 mm connector	003-1422-00
8	Nutdriver, 12 mm	Standard tool	
9	Nutdriver, 14 mm	Standard tool	
10	Nutdriver, $\frac{9}{16}$ inch	Standard tool	
11	Wrench, 5 mm	Standard tool	
12	Wrench, $\frac{1}{16}$ inch	Standard tool	
13	Wrench, $\frac{5}{16}$ inch	Standard tool	
14	Needle-nose pliers	Standard tool	
15	Retaining ring pliers	Standard tool; $1\frac{1}{8}$ inch minimum throw	
16	Angle-tip tweezers	Standard tool	
17	Pliers	Standard tool	
18	Soldering iron	Standard tool	
19	Solder wick	Standard tool	
20	Adhesive	TRA-CON: Tra-Bond #BA-2114	



**Analyzer Orientation** Figure 5-1 shows how the sides of the analyzer are referenced in this manual.



**Figure 5-1: Analyzer orientation**

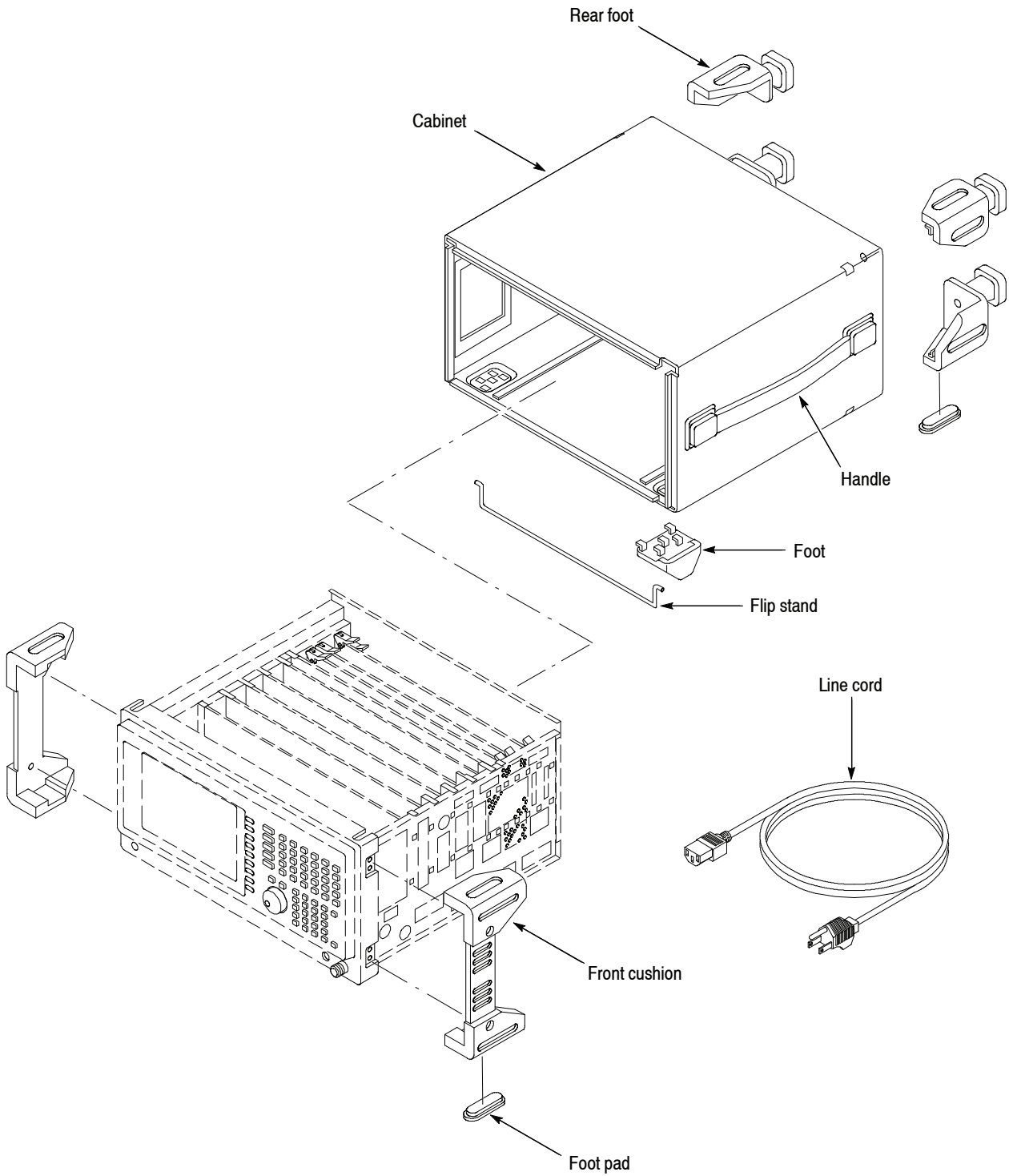


Figure 5-2: External modules

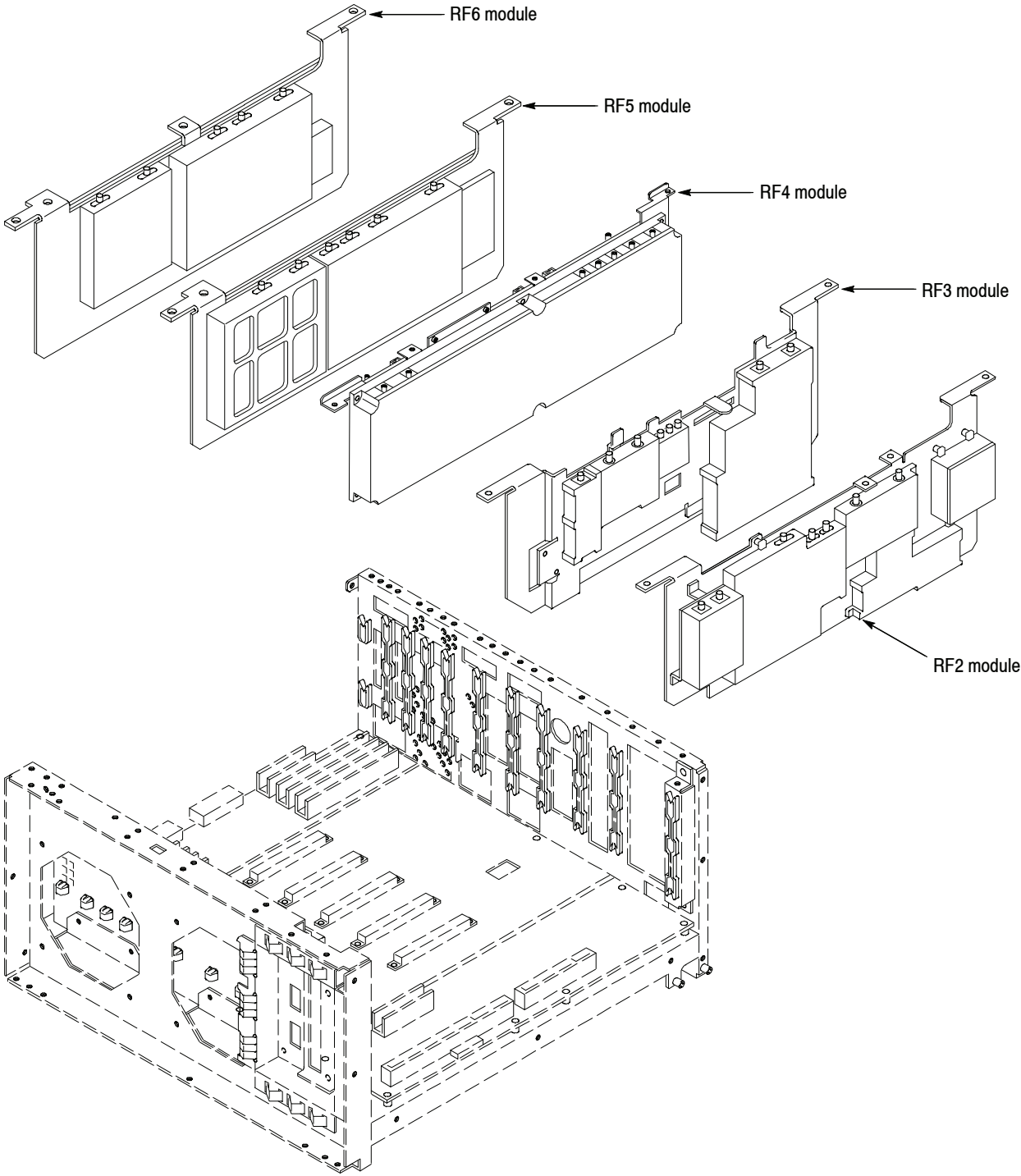


Figure 5-3: RF modules

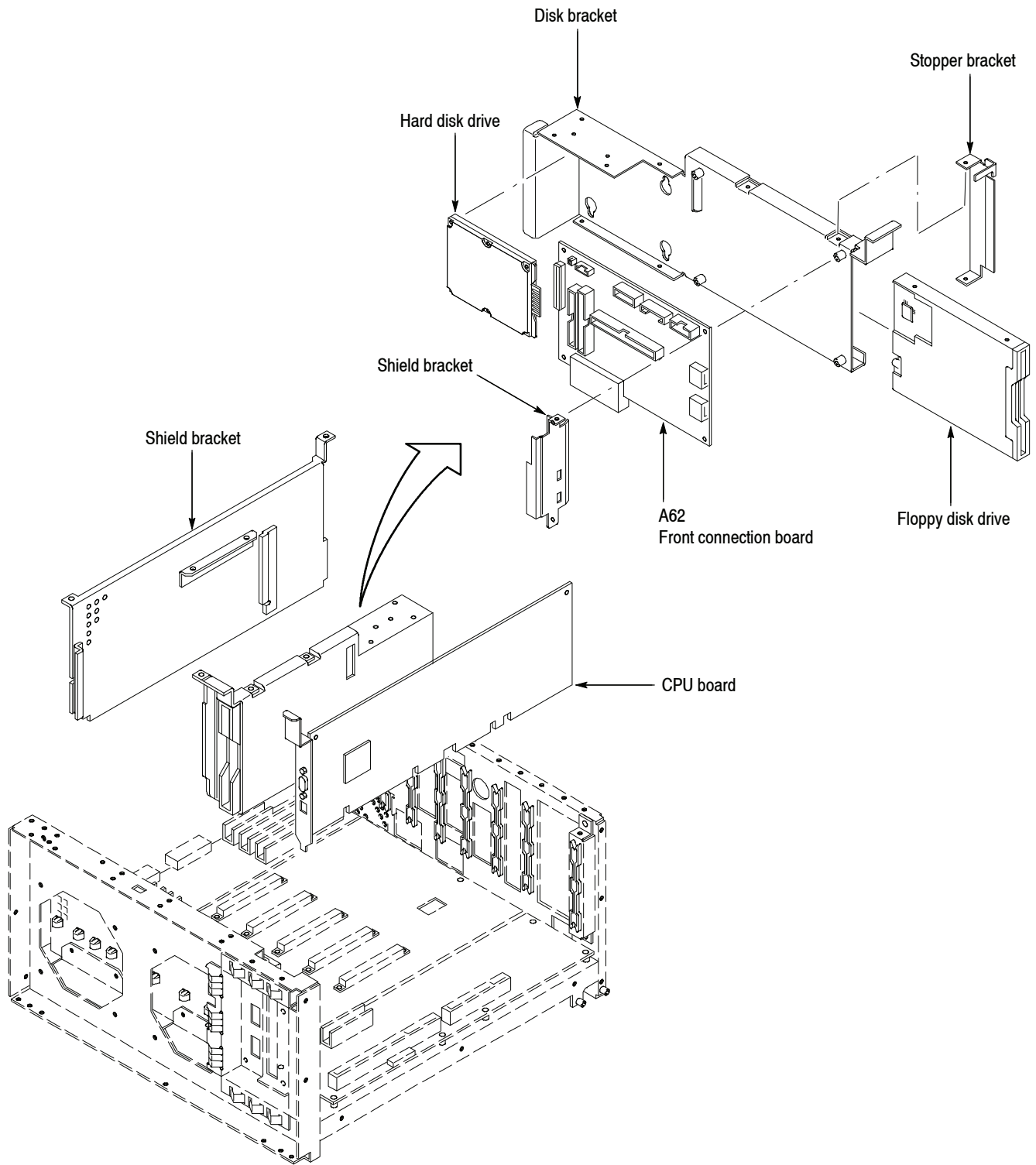


Figure 5-4: CPU board and disk modules

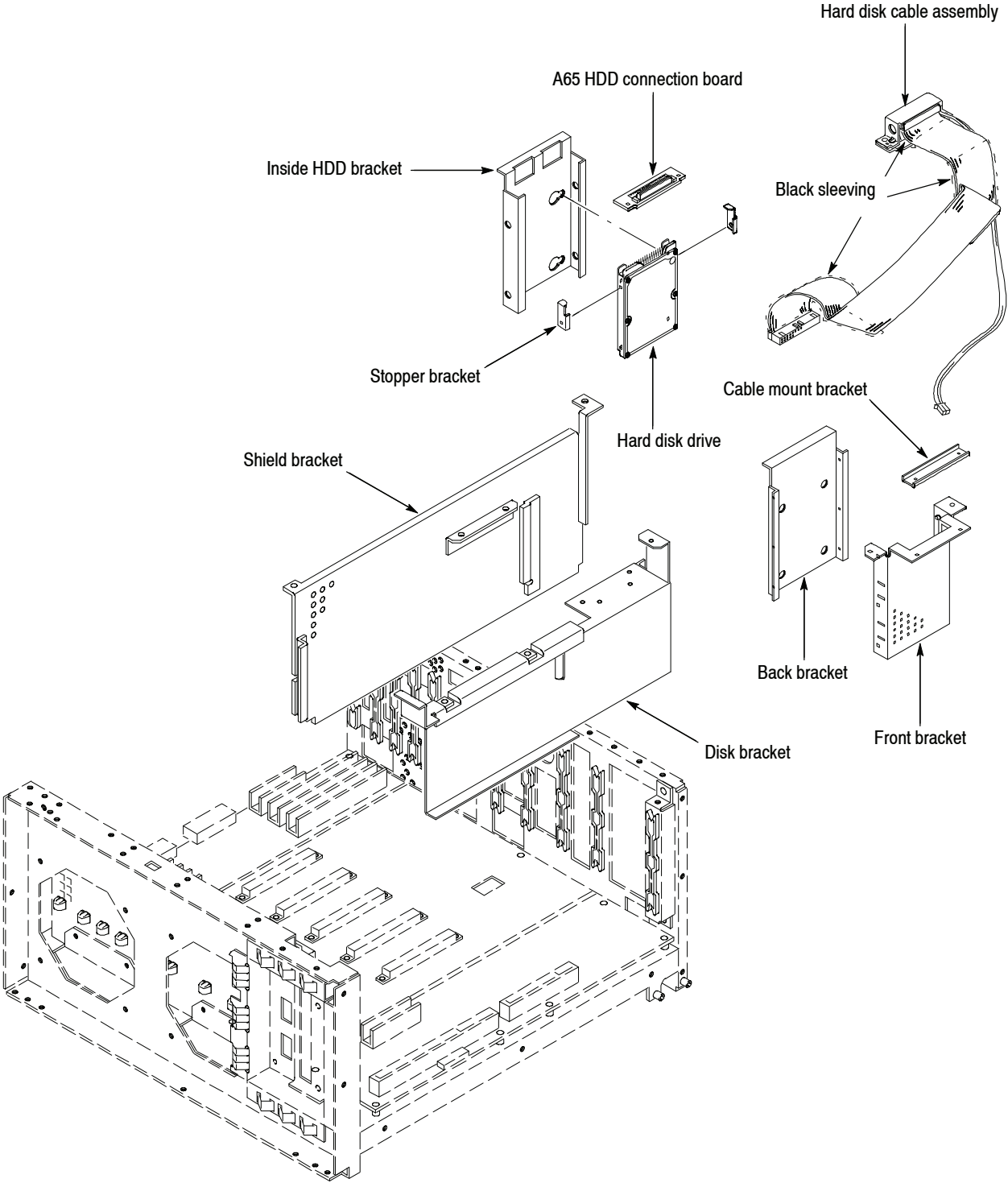
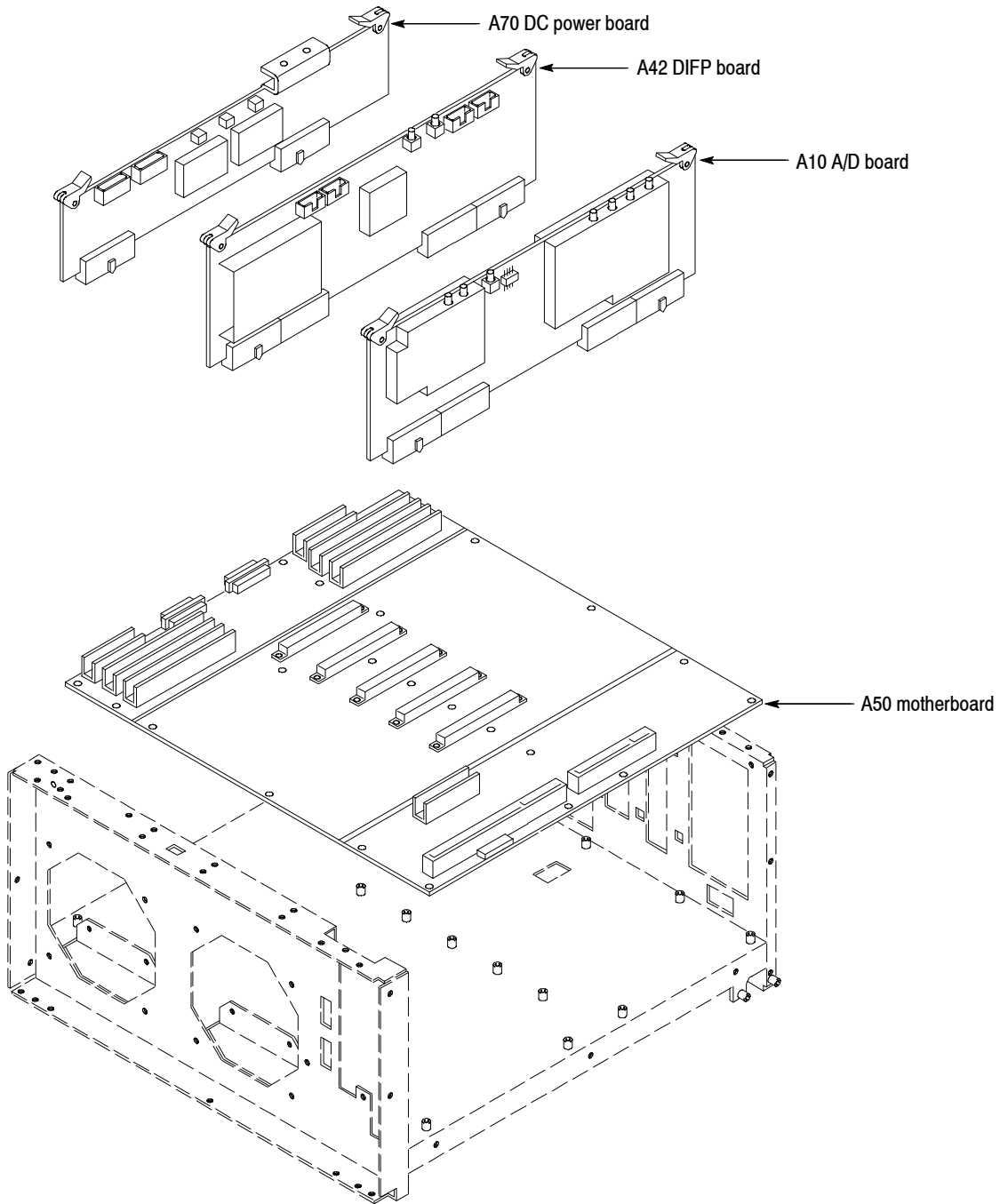


Figure 5-5: Removable hard disk modules (Option 06)



**Figure 5-6: Motherboard and daughterboards**

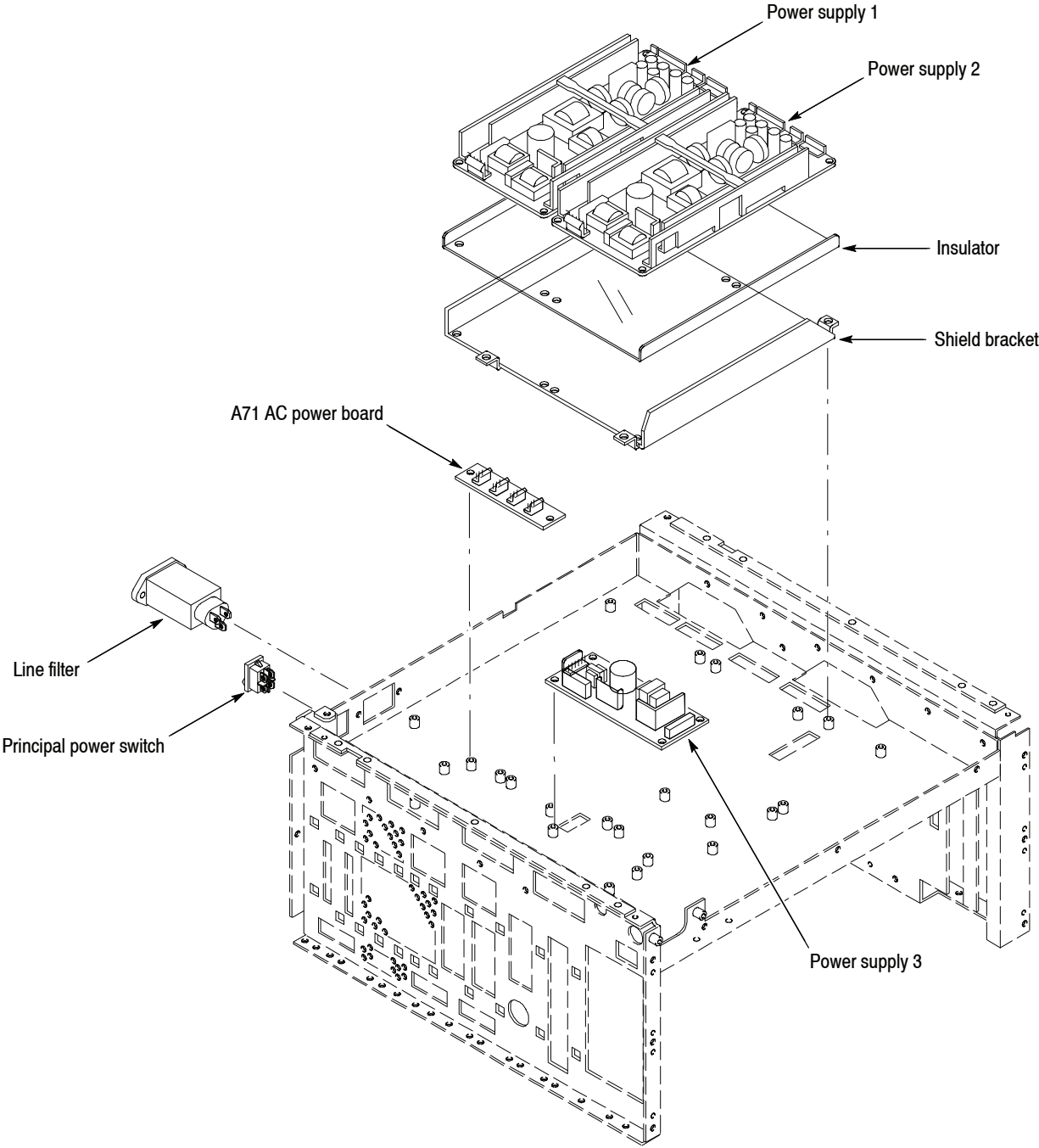


Figure 5-7: Bottom modules - Power supply

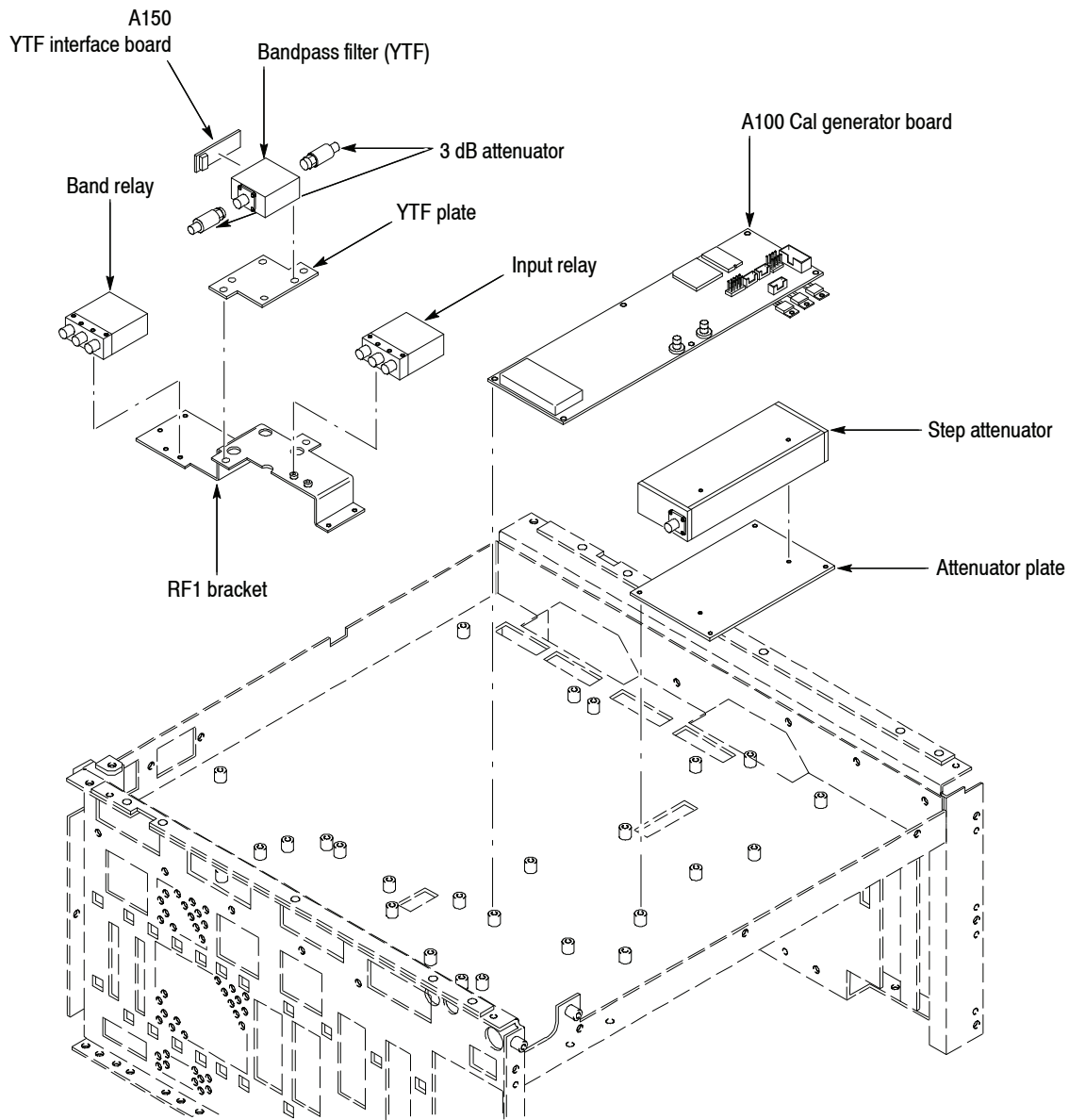


Figure 5-8: Bottom modules - RF1



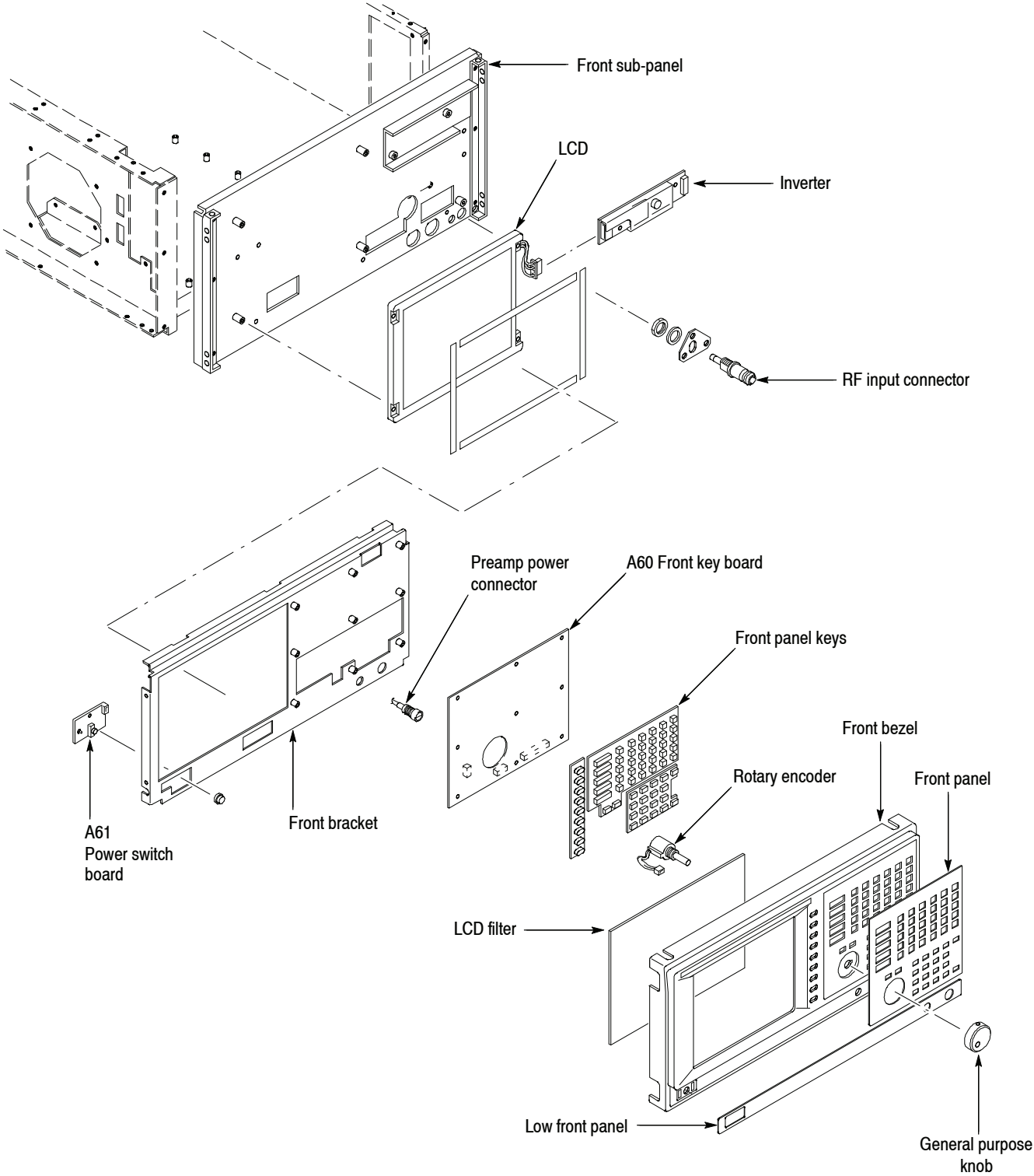


Figure 5-9: Front panel modules

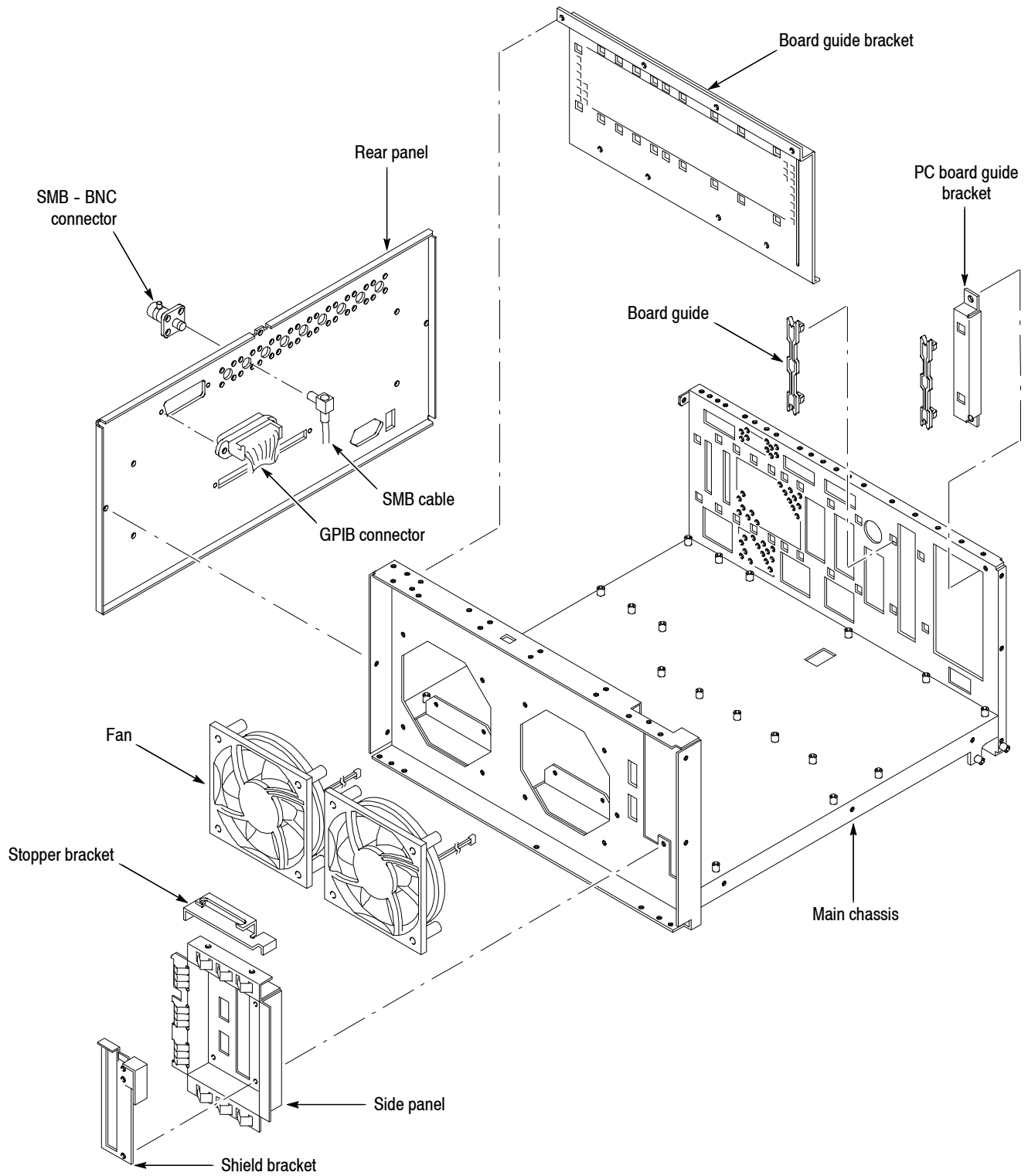


Figure 5- 10: Chassis modules

## Access Procedure

When you have identified the module to be removed for service, read *General Instructions* found earlier in this section. Then use the flowchart in Figure 5-11 to determine which procedures to use for removing the module. The removal procedures end with reinstallation instructions.

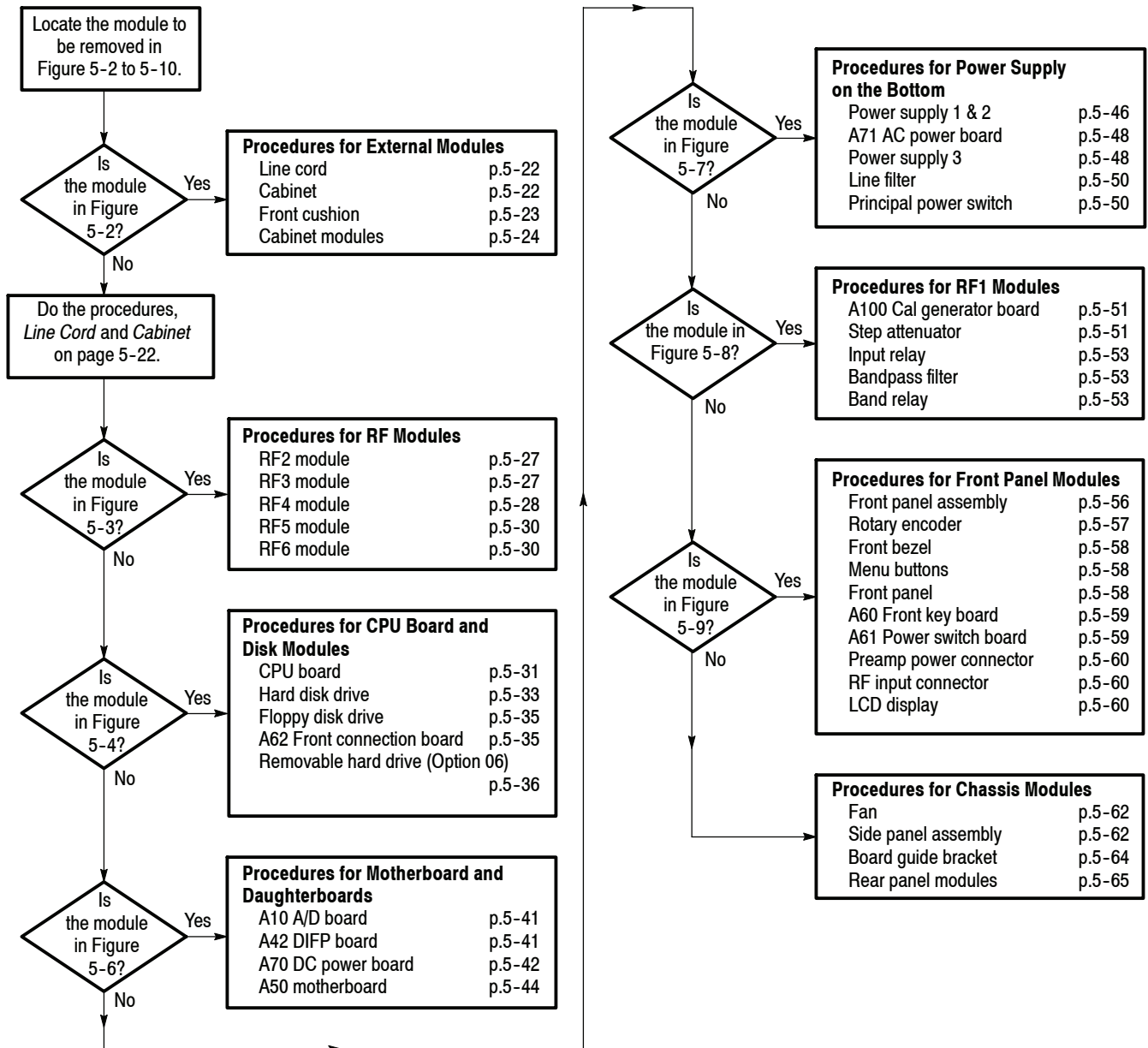


Figure 5-11: Guide to removal procedures

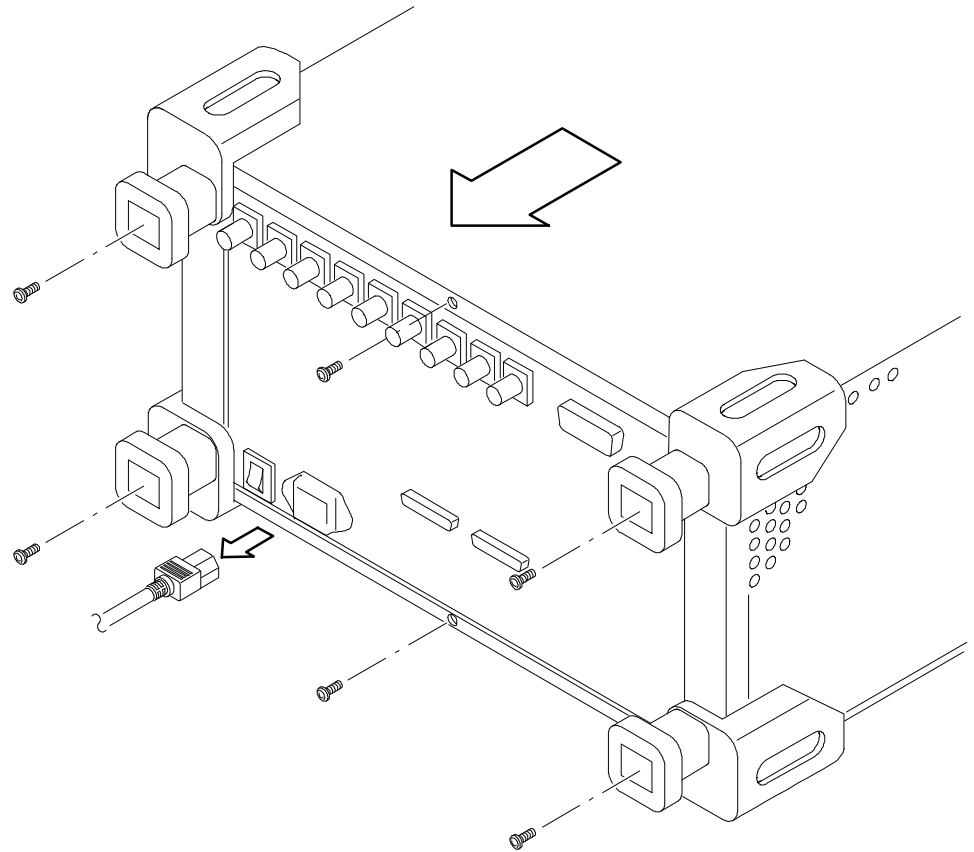
## Procedures for External Modules

Read the *Access Procedure* on page 5-21 before proceeding. The procedures are presented in the following order:

- *Line cord*
- *Cabinet*
- *Front cushion*
- *Cabinet modules*

- Line Cord**
1. *Orient the analyzer:* Set the analyzer so its bottom is down on the work surface and its rear is facing you.
  2. *Remove the line cord:* Remove the line cord from the rear cover. See Figure 5-12.
  3. *Reinstallation:* Reverse step 2 to reinstall the line cord.

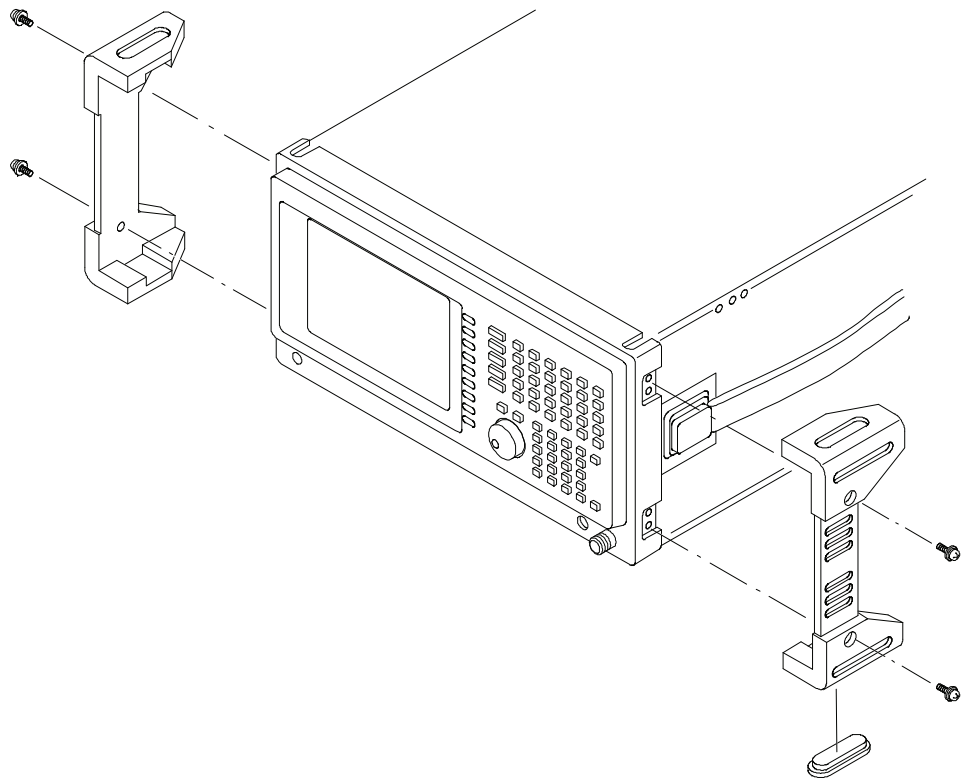
- Cabinet**
1. *Assemble equipment:* Obtain a #2 Phillips screwdriver (Items 1 and 3).
  2. *Orient the analyzer:* Set the analyzer so its bottom is down on the work surface and the rear panel is facing you.
  3. *Remove the cabinet:* See Figure 5-12.
    - a. *Option 06 only.* Using a coin, unscrew the door on the top side of the cabinet to remove it.
    - b. Remove the one screw securing the rear foot over the cabinet to the rear panel at each corner.
    - c. Remove the center two screws securing the cabinet to the rear panel.
    - d. Slide the cabinet backward. As you remove the cabinet, take care not to bind or snag it on the analyzer's internal cabling.
  4. *Reinstallation:* Reverse step 3 to reinstall the cabinet.



**Figure 5-12: Line cord and cabinet removal**

### Front Cushion

1. *Assemble equipment and locate modules to be removed:*
  - a. You will need a #2 Phillips screwdriver (Items 1 and 3).
  - b. Locate the front cushion in the *External modules* diagram, Figure 5-2.
2. *Orient the analyzer:* Set the analyzer so its bottom is down on the work surface and its front is facing you.
3. *Remove the front cushion:* See Figure 5-13.
  - a. Remove the two screws securing the front cushion to the side panel at each side.
  - b. Lifting the front of the analyzer slightly, move the front cushion away.
4. *Reinstallation:* Reverse step 3 to reinstall the front cushion.



**Figure 5-13: Front cushion removal**

**Cabinet Modules**

1. *Assemble equipment and locate modules to be removed:*
  - a. Have a pair of needle-nose pliers handy (Item 14).
  - b. Locate the modules to be removed in the locator diagram *External Modules* (see Figure 5-2).
2. *Orient the analyzer:* Set the analyzer so the left side is down on the work surface and its handle is facing upwards.
3. *Remove the handle:*
  - a. Insert the tips of a pair of needle-nose pliers (Item 14) into the hole of either handle cap. Push and hold to depress the handle release.
  - b. While holding the handle release, pull the handle out of the slot in the handle cap. Repeat the procedure to remove the handle from the other handle cap.
  - c. Reverse the procedure to reinstall.

4. *Remove the handle caps:*
  - a. Insert the retaining ring pliers (Item 15) into the opening created in the handle cap when you removed the handle.
  - b. While using the pliers to expand the handle cap outward, grasp it and snap it away from the cabinet.
  - c. Repeat procedure to remove the remaining cap as needed.
  - d. To reinstall, push the cap(s) back on.
5. *Remove the flip stand:*
  - a. Grasp the flip stand by both sides near where it joins each flip stand foot.
  - b. Compress the flip stand until the flip stand ends clear the flip stand feet.
  - c. To reinstall, compress the flip stand and insert it into the flip stand feet.
6. *Remove the foot:*
  - a. Remove the cabinet (refer to *Cabinet* on page 5-22).
  - b. Working from inside the cabinet, push the two retainers to release the foot you want to remove and lift it away from the outside of the cabinet.
  - c. Remove as many of the feet as needed.
  - d. To reinstall feet, reinsert the two retainers into their slots in the cabinet and snap into place.
7. *Reinstallation:* If any flip stand feet were removed, reinstall as directed in step 6c; refer to the *Cabinet* procedure on page 5-22 to reinstall the cabinet. Reverse steps 3 and 5, reversing each step, to reinstall the flip stand, the handle caps (if removed), and then the handle.

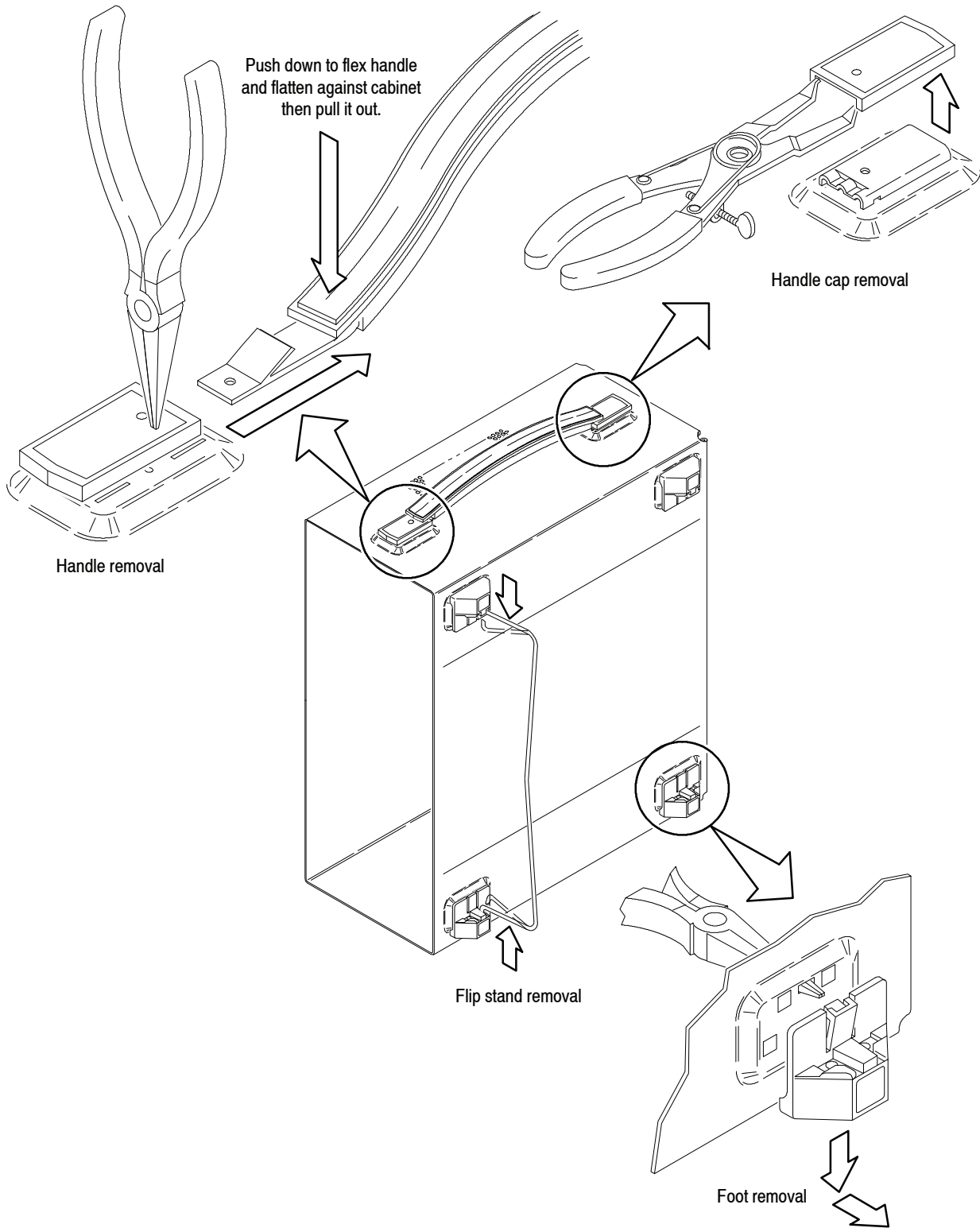


Figure 5- 14: Cabinet modules removal



## Procedures for RF Modules

Read the *Access Procedure* on page 5-21 before proceeding. The procedures are presented in the following order:

- *RF2 module*
- *RF3 module*
- *RF4 module*
- *RF5 module*
- *RF6 module*

### RF2 Module

1. *Assemble equipment and locate module to be removed:*
  - a. You will need a #2 Phillips screwdriver (Items 1 and 3) and a  $\frac{5}{16}$  inch wrench (Item 13).
  - b. Locate the RF2 module in the locator diagram *RF Modules*, Figure 5-3, page 5-13.
2. *Orient the analyzer:* Set the analyzer so the bottom is down on the work surface and its front is facing you.
3. *Remove the RF2 module:* See Figure 5-15. Also see Figure 5-37 on page 5-75 for the cable interconnection.
  - a. Using a  $\frac{5}{16}$  inch wrench, disconnect the SMA cable W201 on the RF2 module.
  - b. Unplug the following SMB cables on the RF2 module: W208, W207, W307, W21, W22, and W23.
  - c. Remove the two screws securing the module to the main chassis. Lift the module up.
4. *Reinstallation:* Reverse step 3 to reinstall the RF2 module.

### RF3 Module

1. *Assemble equipment and locate module to be removed:*
  - a. You will need a #2 Phillips screwdriver (Items 1 and 3), an SMA torque driver with a long type bit (Items 6 and 7), and a  $\frac{5}{16}$  inch wrench (Item 13).
  - b. Locate the RF3 module in the locator diagram *RF Modules*, Figure 5-3, page 5-13.
2. *Orient the analyzer:* Set the analyzer so the bottom is down on the work surface and its front is facing you.

3. *Remove the RF3 module:* See Figure 5-15. Also see Figure 5-37 on page 5-75 for the cable interconnection.
  - a. Using a  $\frac{5}{16}$  inch wrench, disconnect the SMA cable W201 on the RF3 module.
  - b. Using a SMA torque driver with a long type bit (Item 6 and 7), disconnect the SMA cable W105 on the RF3 module.
  - c. Using a  $\frac{5}{16}$  inch wrench, disconnect the SMA cable W106 on the RF3 module.
  - d. Unplug the SMB cables W26, W27, and W307 on the RF3 module.
  - e. Unplug the cable W28 on the RF4 module (not on the RF3 because the connector is hard to reach from the top).
  - f. Remove the two screws securing the module to the main chassis. Lift the module up.
4. *Reinstallation:* Reverse step 3 to reinstall the RF3 module.

#### **RF4 Module**

1. *Assemble equipment and locate module to be removed:*
  - a. You will need a #2 Phillips screwdriver.
  - b. Locate the RF4 module in the locator diagram *RF Modules*, Figure 5-3 on page 5-13.
2. *Orient the analyzer:* Set the analyzer so the bottom is down on the work surface and its front is facing you.
3. *Remove the RF4 module:* See Figure 5-15. Also see Figure 5-37 on page 5-75 for the cable interconnection.
  - a. Unplug the following SMB cables on the RF4 module: W27, W23, W26, W13, W21, W32, W22, and W29.
  - b. Unplug the cable W28 on the RF4 module.
  - c. Remove the two screws securing the module to the main chassis. Lift the module up.
4. *Reinstallation:* Reverse step 3 to reinstall the RF4 module.

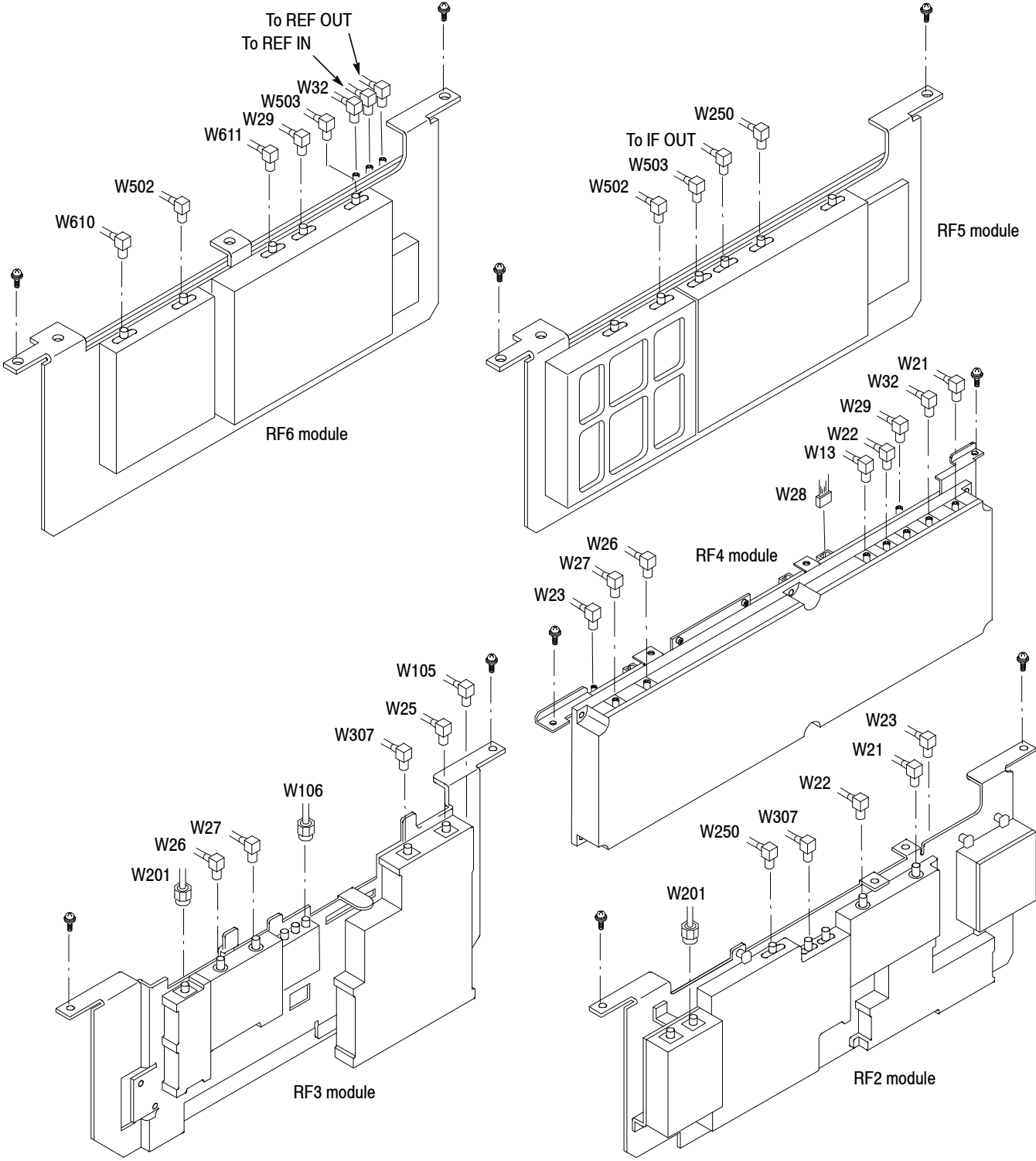


Figure 5-15: RF modules removal

**RF5 Module**

1. *Assemble equipment and locate module to be removed:*
  - a. You will need a #2 Phillips screwdriver.
  - b. Locate the RF5 module in the locator diagram *RF Modules*, Figure 5-3 on page 5-13.
2. *Orient the analyzer:* Set the analyzer so the bottom is down on the work surface and its front is facing you.
3. *Remove the RF5 module:* See Figure 5-15. Also see Figure 5-37 on page 5-75 for the cable interconnection.
  - a. Unplug the following SMB cables on the RF5 module:  
W207, W31, W30, W29, W208, W32, W41, and W40.
  - b. Remove the two screws securing the module to the main chassis.  
Lift the module up.
4. *Reinstallation:* Reverse step 3 to reinstall the RF5 module.

**RF6 Module**

1. *Assemble equipment and locate module to be removed:*
  - a. You will need a #2 Phillips screwdriver.
  - b. Locate the RF6 module in the locator diagram *RF Modules*, Figure 5-3 on page 5-13.
2. *Orient the analyzer:* Set the analyzer so the bottom is down on the work surface and its front is facing you.
3. *Remove the RF6 module:* See Figure 5-15. Also see Figure 5-37 on page 5-75 for the cable interconnection.
  - a. Unplug the following SMB cables on the RF6 module:  
10 MHz REF IN and OUT, W32, W503, W29, W611, W502, and W610.
  - b. Remove the two screws securing the module to the main chassis.  
Lift the module up.
4. *Reinstallation:* Reverse step 3 to reinstall the RF5 module.

## Procedures for CPU Board and Disk Modules

Read the *Access Procedure* on page 5-21 before proceeding. The procedures are presented in the following order:

- *CPU board*
- *Hard disk drive*
- *Floppy disk drive*
- *A62 Front connection board*
- *Removable hard drive (Option 06)*

### **CPU Board**

1. *Assemble equipment and locate module to be removed:*
  - a. You will need a #2 Phillips screwdriver (Items 1 and 3).
  - b. Locate the CPU board in the *CPU board and disk modules* diagram, Figure 5-4, page 5-14.
2. *Orient the analyzer:* Set the analyzer so its bottom is down on the work surface and its front is facing you.
3. *Remove the brackets:* See Figure 5-16.
  - a. Remove the two screws securing the board stopper bracket to the memory support bracket. Lift the bracket away.
  - b. Remove the two screws securing the memory support bracket to the disk bracket. Lift the bracket away.
4. *Remove the CPU board:*
  - a. Unplug the cables from the FDD1, COM1, IDE1, USB, CN2, and CN3 connectors on the CPU board.
  - b. Unplug the cable from the J102 connector on the A63 DVO converter attached to the CPU board.
  - c. Remove the two screws securing the board to the main chassis. Lift the board up and away from the chassis.
5. *Reinstallation:* Reverse step 3 and 4 to reinstall the CPU board.

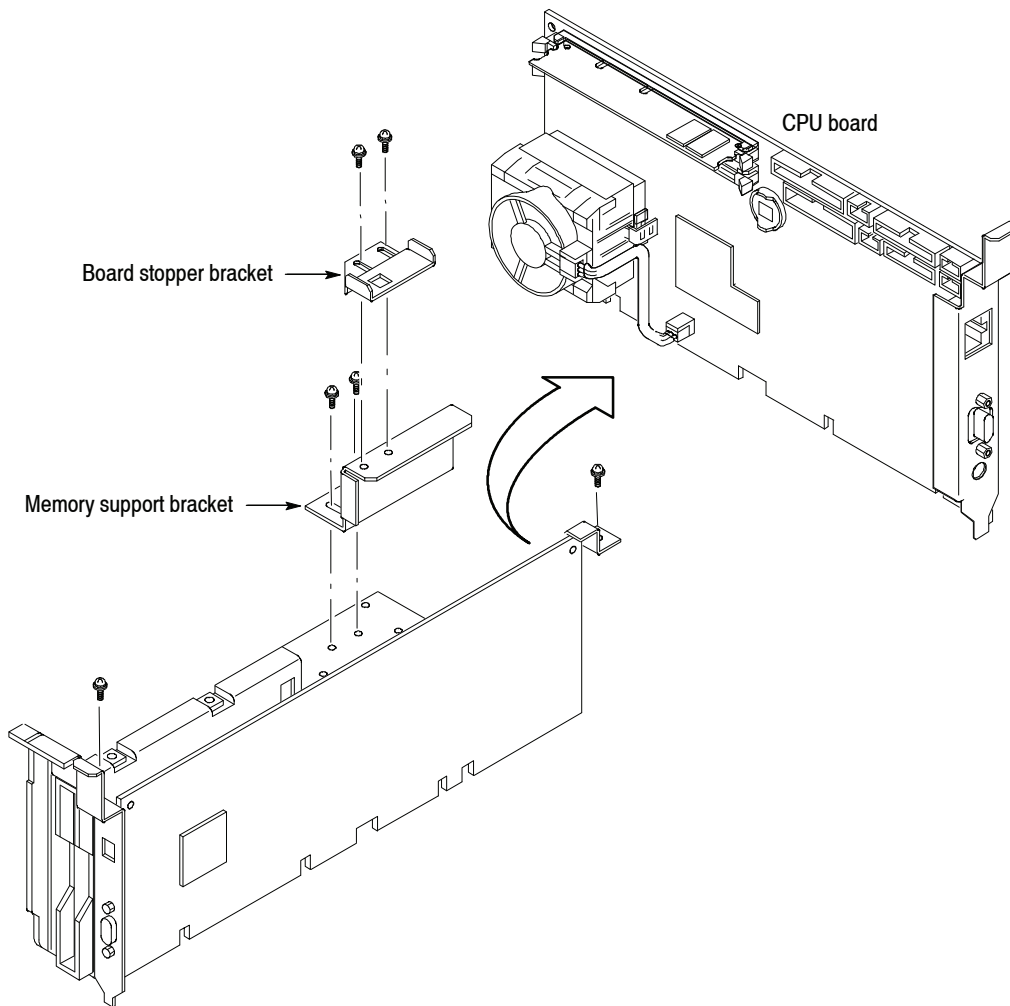
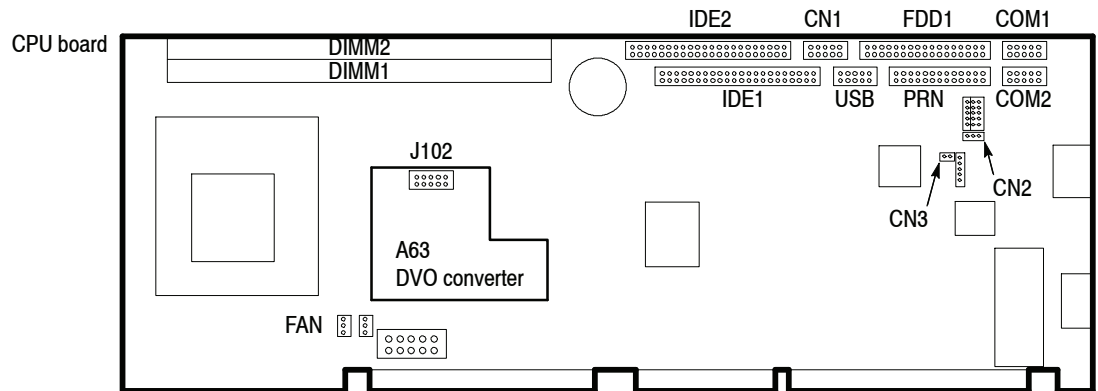


Figure 5- 16: CPU board removal

**Hard Disk Drive****1. *Back up the user files:***

Use the Windows Backup tool to back up files stored on the hard disk. The Backup tool is located in the System Tools folder in the Accessories folder. Start the tool and determine which files and folders to back up. Use the Windows online help for information on using the Backup tool.

For the analyzer, the user-generated files consist of the following types of files, which have these extensions:

- .STA (Status file)
- .IQT (Data file)
- .TRC (Trace file)
- .COR (Amplitude correction file)
- .DPT (DPX bitmap trace file)
- .CSV (CSV data file)
- .MAT (MATLAB data file)

**2. *Assemble equipment and locate module to be removed:***

- a. You will need a #2 Phillips screwdriver (Items 1 and 3).
- b. Locate the hard disk drive in the *CPU board and disk modules* diagram, Figure 5-4 on page 5-14.

**3. *Orient the analyzer:*** Set the analyzer so its bottom is down on the work surface and its left side is facing you.**4. *Remove the disk bracket:*** See Figure 5-17.

- a. Remove the two screws securing the disk bracket to the shield bracket.
- b. Remove the two screws securing the disk bracket to the main chassis.
- c. Lift up the disk bracket containing the hard disk drive and the floppy disk drive.

**5. *Remove the hard disk drive:***

- a. Remove the four screws securing the hard disk drive to the disk bracket.
- b. Lift the hard disk drive up away.

**6. *Reinstallation:*** Reverse steps 4 and 5 to reinstall the hard disk drive.

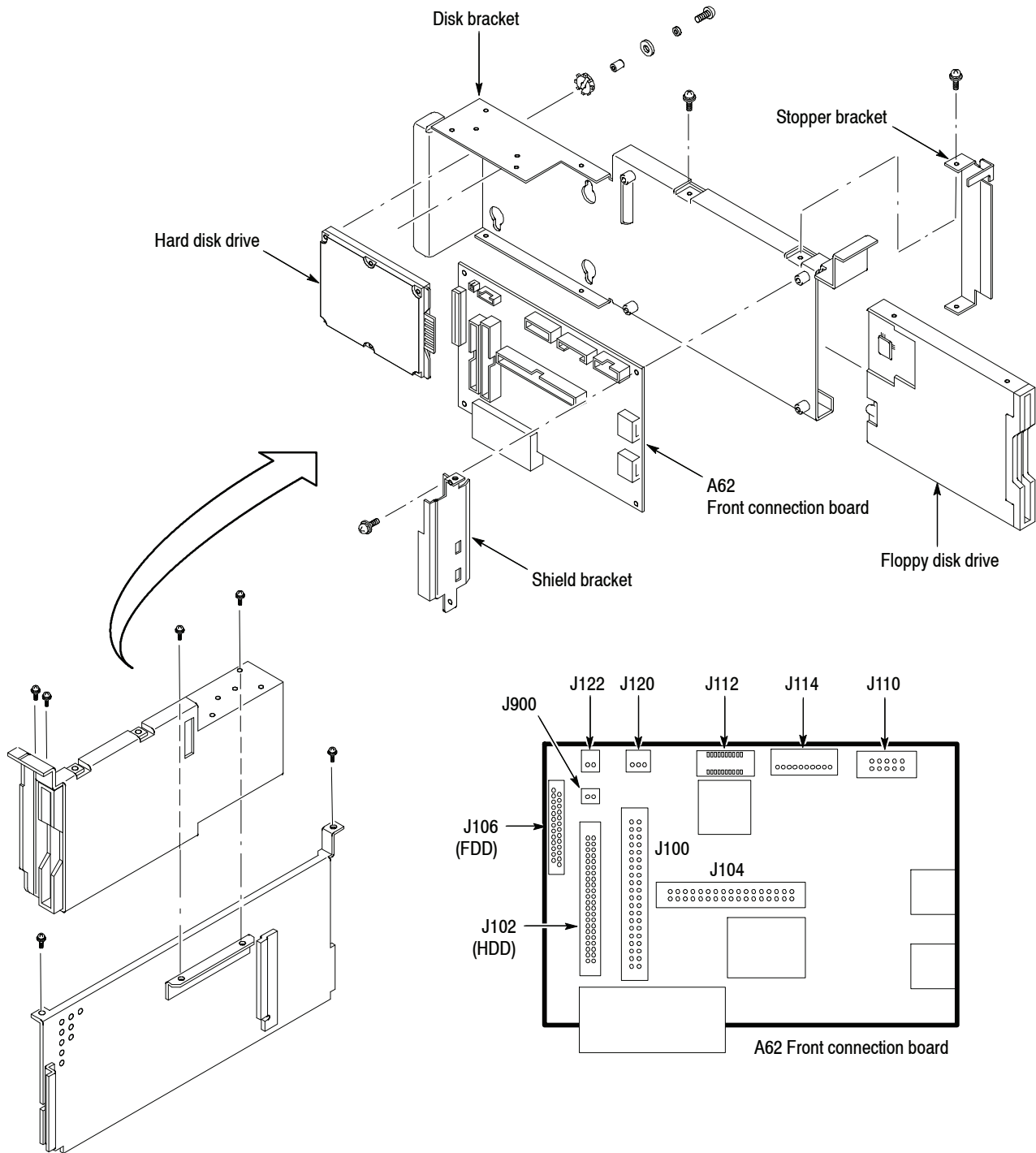


Figure 5-17: Disk module removal



**Floppy Disk Drive**

1. *Assemble equipment and locate module to be removed:*
  - a. You will need a screwdriver with Phillips #1 and #2 tips. (Items 1, 2, and 3)
  - b. Locate the floppy disk drive in the *CPU board and disk modules* diagram, Figure 5-4 on page 5-14.
2. Remove the disk bracket containing the floppy disk drive using step 4 in the hard disk drive removal procedure on page 5-33.
3. *Remove the floppy disk drive:* See Figure 5-17.
  - a. Unplug the floppy driver connector (ribbon interconnect cable) that connects the disk drive to J106 on the A62 Front connection board.
  - b. Using a screwdriver with Phillips size #1 tip, remove the four screws securing the disk drive to the bracket. Pull out the disk drive.
4. *Reinstallation:* Reverse steps 2 and 3 to reinstall the floppy disk drive.

**A62 Front Connection Board**

1. *Assemble equipment and locate module to be removed:*
  - a. You will need a #2 Phillips screwdriver (Items 1 and 3).
  - b. Locate the A62 Front connection board in the *CPU board and disk modules* diagram, Figure 5-4 on page 5-14.
2. Remove the disk bracket containing the A62 Front connection board using step 4 in the hard disk removal procedure on page 5-33.
3. *Remove the A62 Front connection board:* See Figure 5-17.
  - a. Remove the two screws securing the shield bracket over the A62 board to the disk bracket.
  - b. Remove the two screws securing the A62 board to the disk bracket. Lift the board up away.
4. *Reinstallation:* Reverse steps 2 and 3 to reinstall the A62 board.

**Removable Hard Drive  
(Option 06)**

For Option 06 removable hard drive, use the following procedure to remove the disk modules.

1. *Assemble equipment and locate module to be removed:*
  - a. You will need a #2 Phillips screwdriver (Items 1 and 3), plier (Item 17), and 5 mm wrench (Item 11).
  - b. Locate the module in the *Removable hard disk modules (Option 06)* diagram, Figure 5-5 on page 5-15.
2. *Back up the user files:* Refer to step 1 on page 5-33 to back up the user files.
3. *Orient the analyzer:* Set the analyzer so its bottom is down on the work surface and its front is facing you.
4. *Remove the hard disk cable assembly:* See Figure 5-18 on page 5-37.
  - a. Unplug the hard disk cable assembly from the IDE1 connector on the CPU board and J900 on the A62 Front connection board. See Figure 5-16 on page 5-32 and Figure 5-17 on page 5-34 for the connector location.
  - b. Remove the two screws securing the cable mount bracket to the outside HDD bracket assembly. Lift the bracket away.
  - c. Disconnect the hard disk cable assembly from the hard drive cartridge. Lift the cable assembly up away.
5. *Remove the hard drive cartridge:* See Figure 5-18 on page 5-37. Pull up the hard drive cartridge from the instrument.

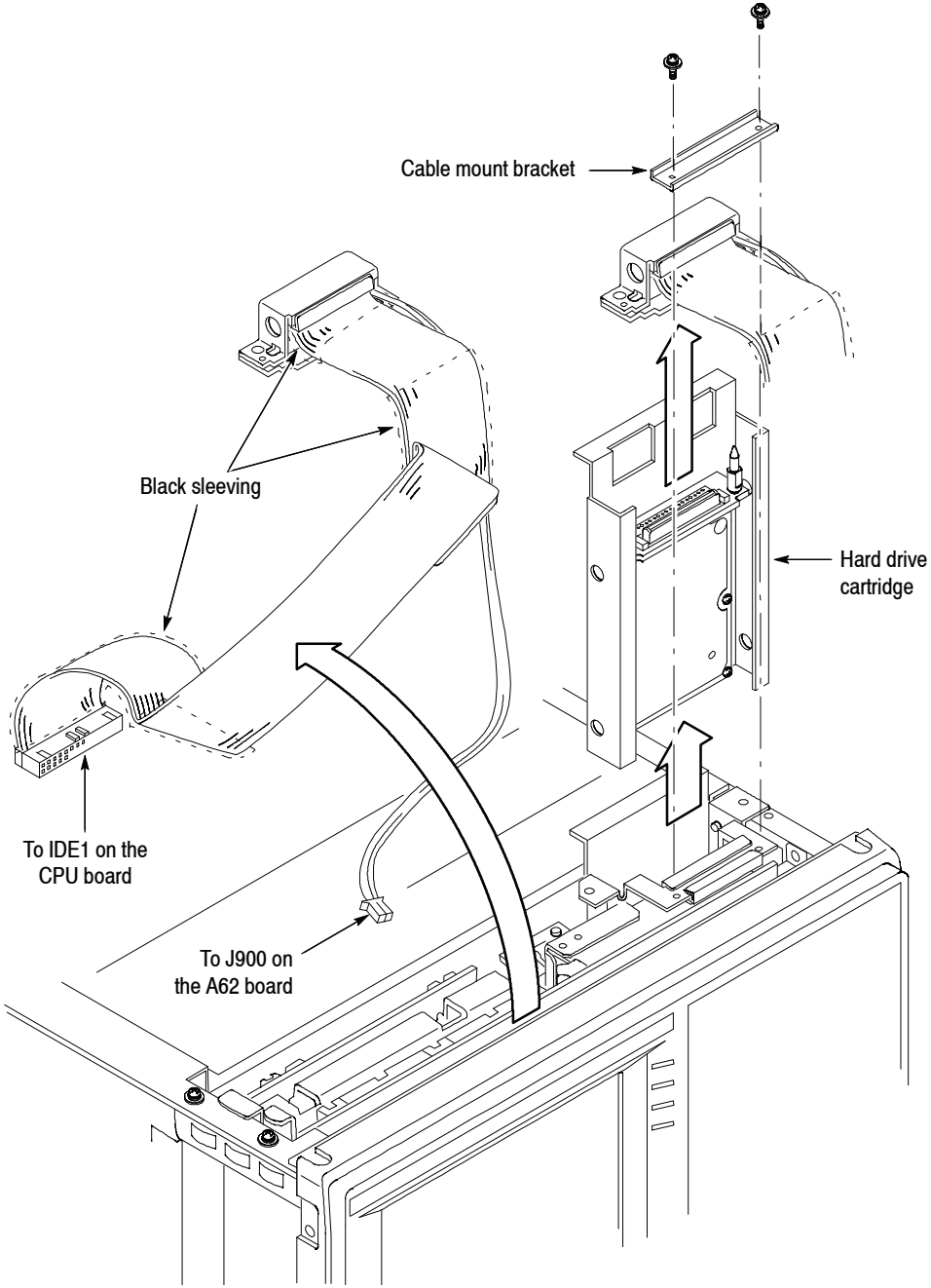


Figure 5-18: Hard drive cartridge removal

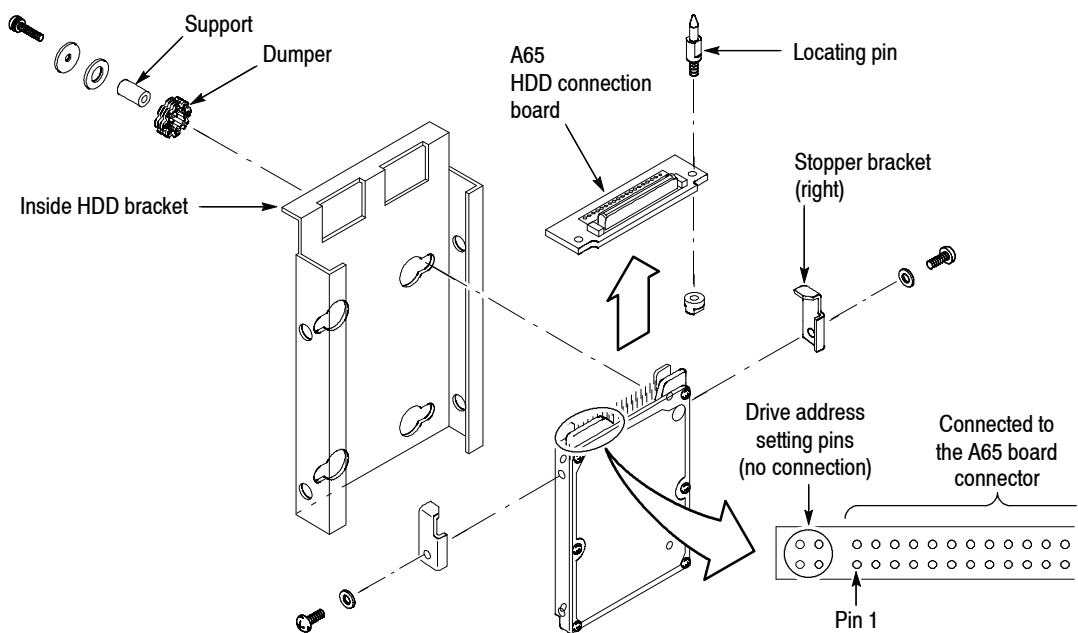
6. *Remove the hard disk:* See Figure 5-19.
  - a. Remove the screws with washers and supports that hold the hard disk drive to the inside HDD bracket.
  - b. Remove the screws securing the left and right stopper brackets to the hard disk drive. Remove the stopper brackets.
  - c. Disconnect the A65 board from the hard disk drive.

---

**NOTE.** When you reinstall the A65 board, be aware that four pins for the drive address setting are not connected.

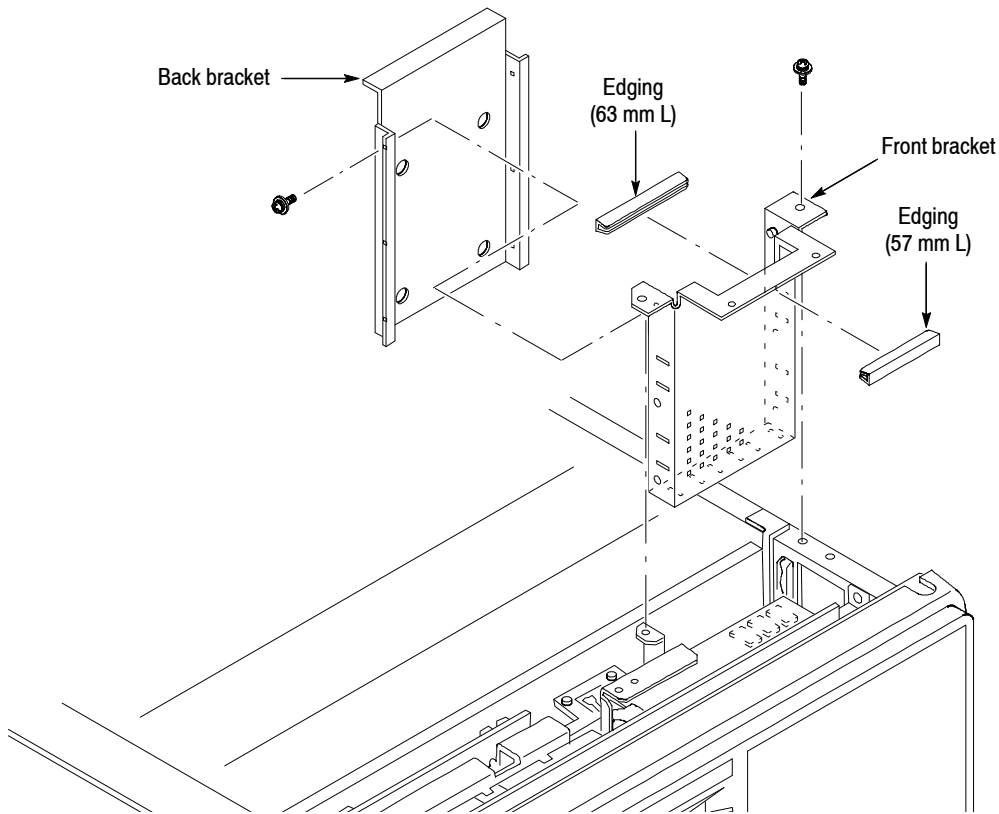
---

- d. Remove the two locating pins to the A65 HDD connection board. Unscrew the nut with a 5 mm wrench while holding the pin with a plier.



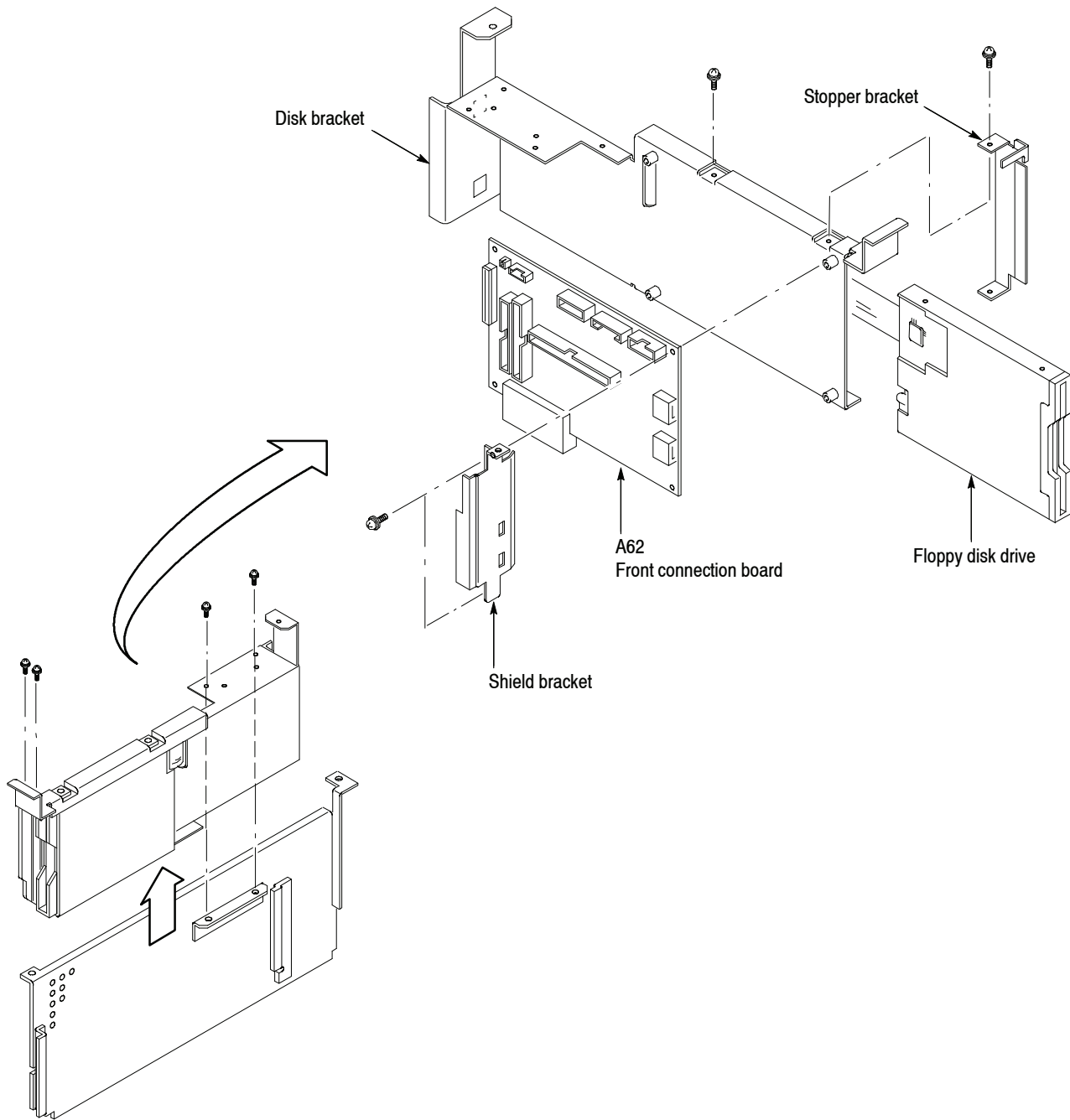
**Figure 5-19: Hard disk drive removal**

7. *Remove the outside HDD bracket assembly:* See Figure 5-20.
  - a. Remove the two screws securing the outside HDD bracket assembly to the main chassis and the disk unit. Lift up the bracket assembly.
  - b. Remove the six screws securing the back bracket to the front bracket.
  - c. Remove the two edgings from the top edge of the front bracket.



**Figure 5-20: Outside HDD bracket assembly removal**

8. *Remove the disk unit:* See Figure 5-21.
  - a. Remove the board stopper bracket and the memory support bracket, if not yet. Refer to step 3 on page 5-31.
  - b. Remove the two screws securing the disk bracket to the shield bracket.
  - c. Remove the two screws securing the disk bracket to the main chassis.
  - d. Lift up the disk bracket containing the floppy disk drive.
9. *Remove the floppy disk drive:* See Figure 5-21.  
Refer to *Floppy Disk Drive* on page 5-35 for the procedure.
10. *Remove the A62 Front connection board:* See Figure 5-21.  
Refer to *A62 Front Connection Board* on page 5-35 for the procedure.
11. *Reinstallation:*  
Reverse steps 4 through 10 to reinstall the removable hard drive.



**Figure 5-21: Disk unit removal**

## Procedures for Motherboard and Daughterboards

Read the *Access Procedure* on page 5-21 before proceeding. The procedures are presented in the following order:

- *A10 A/D board*
- *A42 DIFP board*
- *A70 DC power board*
- *A50 motherboard*

### **A10 A/D Board**

1. *Assemble equipment and locate module to be removed:*
  - a. You will need a #2 Phillips screwdriver (Items 1 and 3).
  - b. Locate the A10 A/D board in locator diagram *Motherboard and daughterboards*, Figure 5-6 on page 5-16.
2. *Orient the analyzer:* Set the analyzer so its bottom is down on the work surface and its front is facing you.
3. *Remove the board support bracket:* See Figure 5-22 on page 5-43. Remove the two screws securing the board support bracket to the rear support bracket and the RF6 module. Lift the board support bracket away.
4. *Remove the A10 A/D board:* See Figure 5-22. Also see Figure 5-37 on page 5-75 for the cable interconnection.
  - a. Unplug the SMB cables W360, W610 and W611.
  - b. *Option 03 only.* Unplug the SMB cables W42 (I+ IN), W43 (I- IN), W44 (Q+ IN), and W45 (Q- IN).
  - c. Lift up the the A10 board.
5. *Reinstallation:*  
Reverse steps 4 to reinstall the A10 board and interconnect cables.

### **A42 DIFP Board**

1. *Assemble equipment and locate module to be removed:*
  - a. You will need a #2 Phillips screwdriver (Items 1 and 3).
  - b. Locate the A42 DIFP board in locator diagram *Motherboard and daughterboards*, Figure 5-6 on page 5-16.
  - c. Do step 3 in the *A10 A/D Board* procedure on page 5-41 to remove the board support bracket.

2. *Orient the analyzer:* Set the analyzer so its bottom is down on the work surface and its front is facing you.
3. *Remove the A42 DIFP board:* See Figure 5-22. Also see Figure 5-37 on page 5-75 for the cable interconnection.
  - a. Unplug the SMB cables W46 (TRIG OUT) and W47 (TRIG IN).
  - b. Lift up the the A42 board.
4. *Reinstallation:*  
Reverse step 3 to reinstall the A42 board and interconnect cables.

### **A70 DC Power Board**

1. *Assemble equipment and locate module to be removed:*
  - a. You will need a #2 Phillips screwdriver (Items 1 and 3).
  - b. Locate the A70 DC power board in locator diagram *Motherboard and daughterboards*, Figure 5-6 on page 5-16.
  - c. Do step 3 in the *A10 A/D Board* procedure on page 5-41 to remove the board support bracket.
2. *Orient the analyzer:* Set the analyzer so its bottom is down on the work surface and its front is facing you.
3. *Remove the rear support bracket:* See Figure 5-22.
  - a. Remove the two screws securing the bracket to the A70 board.
  - b. Remove the four screws securing the bracket to the main chassis.
  - c. Lift the bracket away.
4. *Remove the A70 DC power board:* See Figure 5-22.
  - a. Unplug the fan power cable from J300 and J302.
  - b. Unplug the cable W75 (GPIB) from J410.
  - c. Lift up the A70 board.
5. *Reinstallation:*  
Reverse step 3 to reinstall the A70 board and interconnect cables.



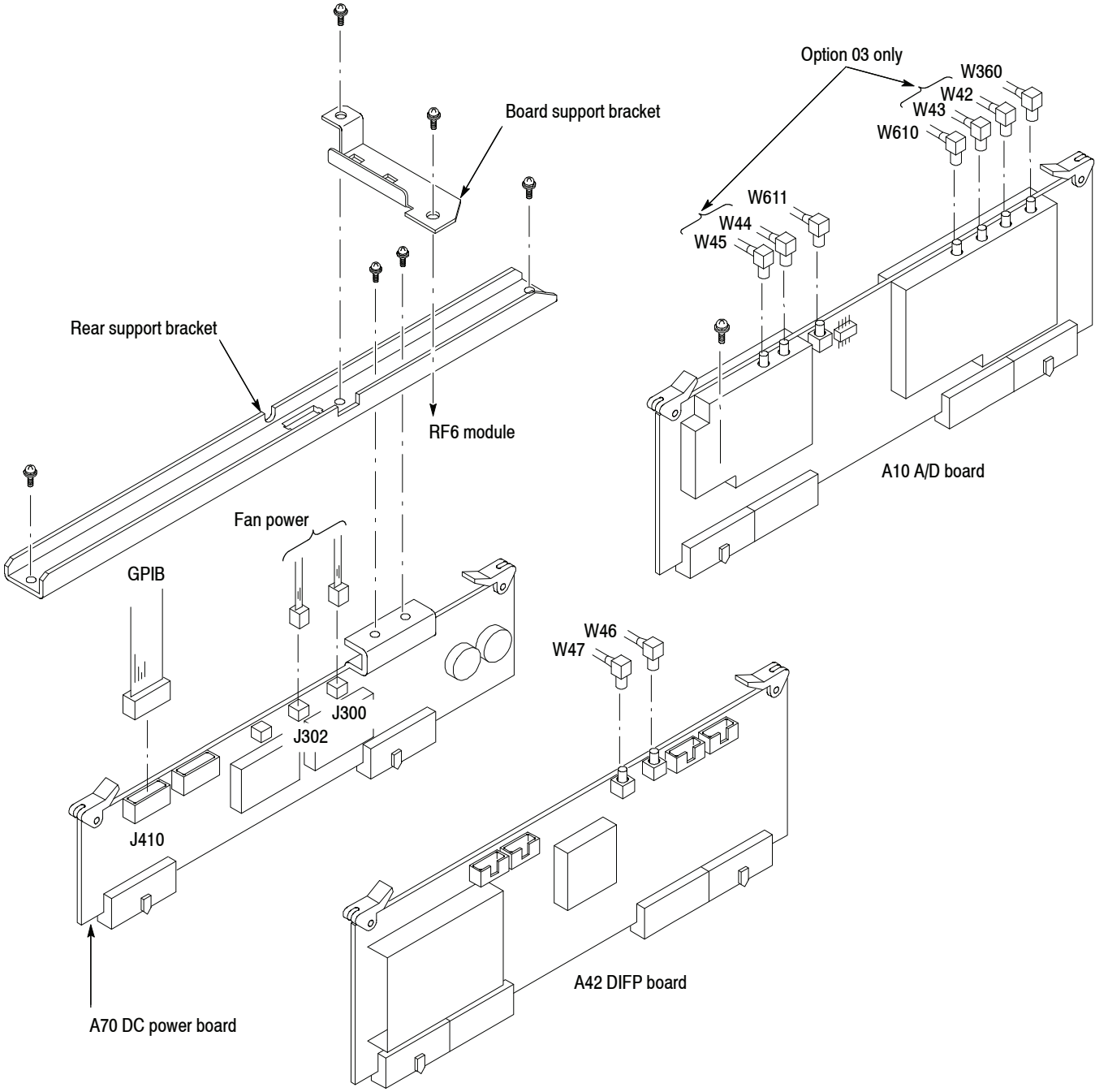


Figure 5-22: Daughter boards removal

## **A50 Motherboard**

1. *Assemble equipment and locate module to be removed:*
  - a. You will need a #2 Phillips screwdriver (Items 1 and 3).
  - b. Locate the A50 motherboard in locator diagram *Motherboard and daughterboards*, Figure 5-6 on page 5-16.
  - c. Remove the RF modules (refer to the *RF Modules* procedure on page 5-27).
  - d. Remove the daughter boards (refer to the procedure *A10 A/D Board* through *A70 DC Power Board* starting on page 5-41).
  - e. Remove the rear panel (refer to the procedure *Rear Panel* on page 5-65).
2. *Remove the A50 motherboard:*
  - a. *Orient the analyzer:* Set the analyzer so its top is down on the work surface and its front is facing you.
  - b. Unplug the cables at J902, J900, J901, J912, J910, J911, J100, and J920 on the bottom of the analyzer. See Figure 5-38 on page 5-76 for cable interconnection.
  - c. *Orient the analyzer:* Set the analyzer so its bottom is down on the work surface and its rear is facing you.
  - d. Remove 25 screws securing the A50 board to the main chassis.
  - e. Pull the board backward until you can unplug the cables at J700, J810, J60, and J710 on the A50 board. See Figure 5-37 on page 5-75 for cable interconnection.
  - f. Lift up and remove the board.
3. *Reinstallation:*
  - a. Reverse step 2 to reinstall the A50 board.
  - b. Reinstall the rear panel (refer to the procedure *Rear Panel* on page 5-65).
  - c. Reinstall the daughter boards (refer to *A10 A/D Board* through *A70 DC Power Board* starting on page 5-41).
  - d. Reinstall the RF modules (refer to *RF Modules* on page 5-27).

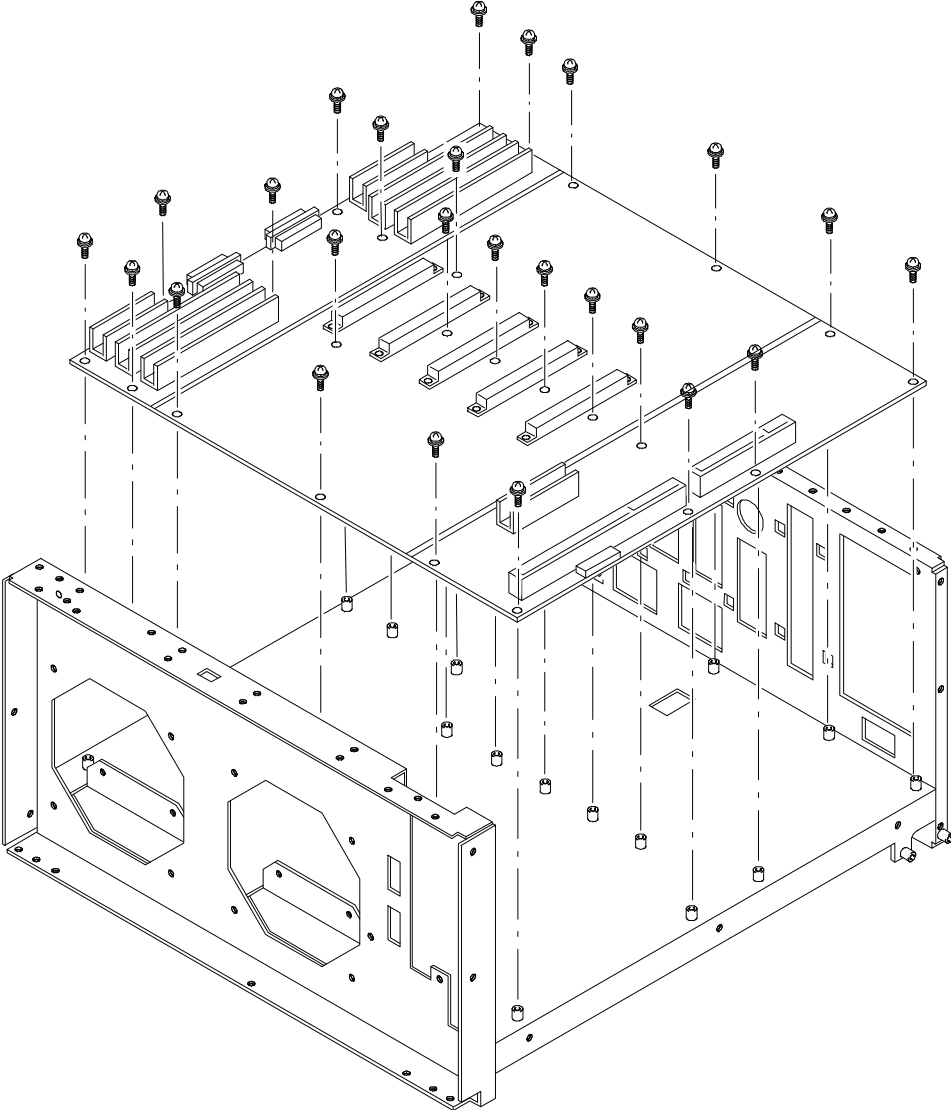


Figure 5-23: Motherboard removal

## Procedures for Power Supply Modules on the Instrument Bottom

Read the *Access Procedure* on page 5-21 before proceeding. The procedures are presented in the following order:

- *Power supply 1 and 2*
- *A71 AC power board*
- *Power supply 3 (standby power)*
- *Line filter*
- *Principal power switch*

### Power Supply 1 and 2

1. *Assemble equipment and locate module to be removed:*
  - a. You will need a #2 Phillips screwdriver (Items 1 and 3).
  - b. Locate the power supply 1 and 2 in the locator diagram *Bottom modules - Power supply*, Figure 5-7 on page 5-17.
2. *Orient the analyzer:* Set the analyzer so its top is down on the work surface and its front is facing you.

See Figure 5-25 for the following steps 3 and 4. Also see Figure 5-38 on page 5-76 for cable interconnection.

3. *Remove the power supply 1:*
  - a. Unplug the cables at J902, J900, and J901 on the A50 motherboard.
  - b. Unplug the cable at J110 on the A71 AC power board.
  - c. Remove the four screws securing the power supply 1 to the bracket. Lift up and remove the power supply 1.
4. *Remove the power supply 2:*
  - a. Unplug the cables at J912, J910, and J911 on the A50 motherboard.
  - b. Unplug the cable at J130 on the A71 AC power board.
  - c. Remove the four screws securing the power supply 2 to the bracket. Lift up and remove the power supply 2.
5. *Reinstallation:* Reverse steps 3 and 4 to reinstall the power supply 1 and 2.

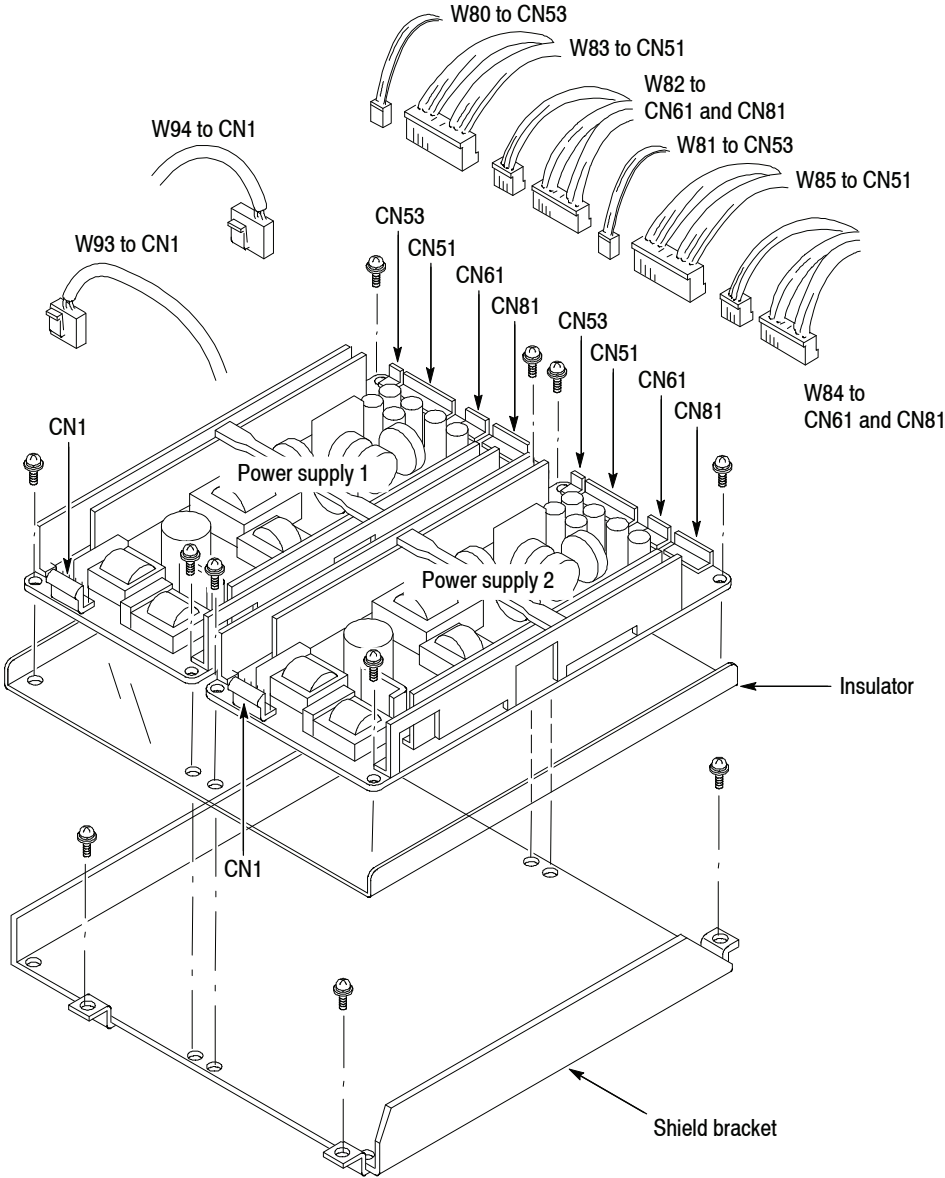


Figure 5-24: Power supply 1 and 2 removal

### **A71 AC Power Board**

1. *Assemble equipment and locate module to be removed:*
  - a. You will need a #2 Phillips screwdriver (Items 1 and 3).
  - b. Locate the A71 AC power board in the locator diagram *Bottom modules - Power supply*, Figure 5-7 on page 5-17.
2. *Orient the analyzer:* Set the analyzer so its top is down on the work surface and its front side is facing you.
3. *Remove the A71 AC power board:* See Figure 5-25. Also see Figure 5-38 on page 5-76 for cable interconnection.
  - a. Unplug the cables at J100, J110, J120, and J130 on the A71 board.
  - b. Remove the four screws securing the A71 board to the main chassis. Lift up the board away.
4. *Reinstallation:* Reverse step 3 to reinstall the A71 board.

### **Power Supply 3**

1. *Assemble equipment and locate module to be removed:*
  - a. You will need a #2 Phillips screwdriver (Items 1 and 3).
  - b. Locate the power supply 3 (standby power) in the locator diagram *Bottom modules - Power supply*, Figure 5-7 on page 5-17.
2. *Orient the analyzer:* Set the analyzer so its top is down on the work surface and its front side is facing you.
3. *Remove the power supply 3:* See Figure 5-25. Also see Figure 5-38 page 5-76 for cable interconnection.
  - a. Unplug the cables at CN1 and CN2 on the power supply 3 board.
  - b. Remove the four screws securing the board to the main chassis. Lift up the board away.
4. *Reinstallation:* Reverse step 3 to reinstall the power supply 3.

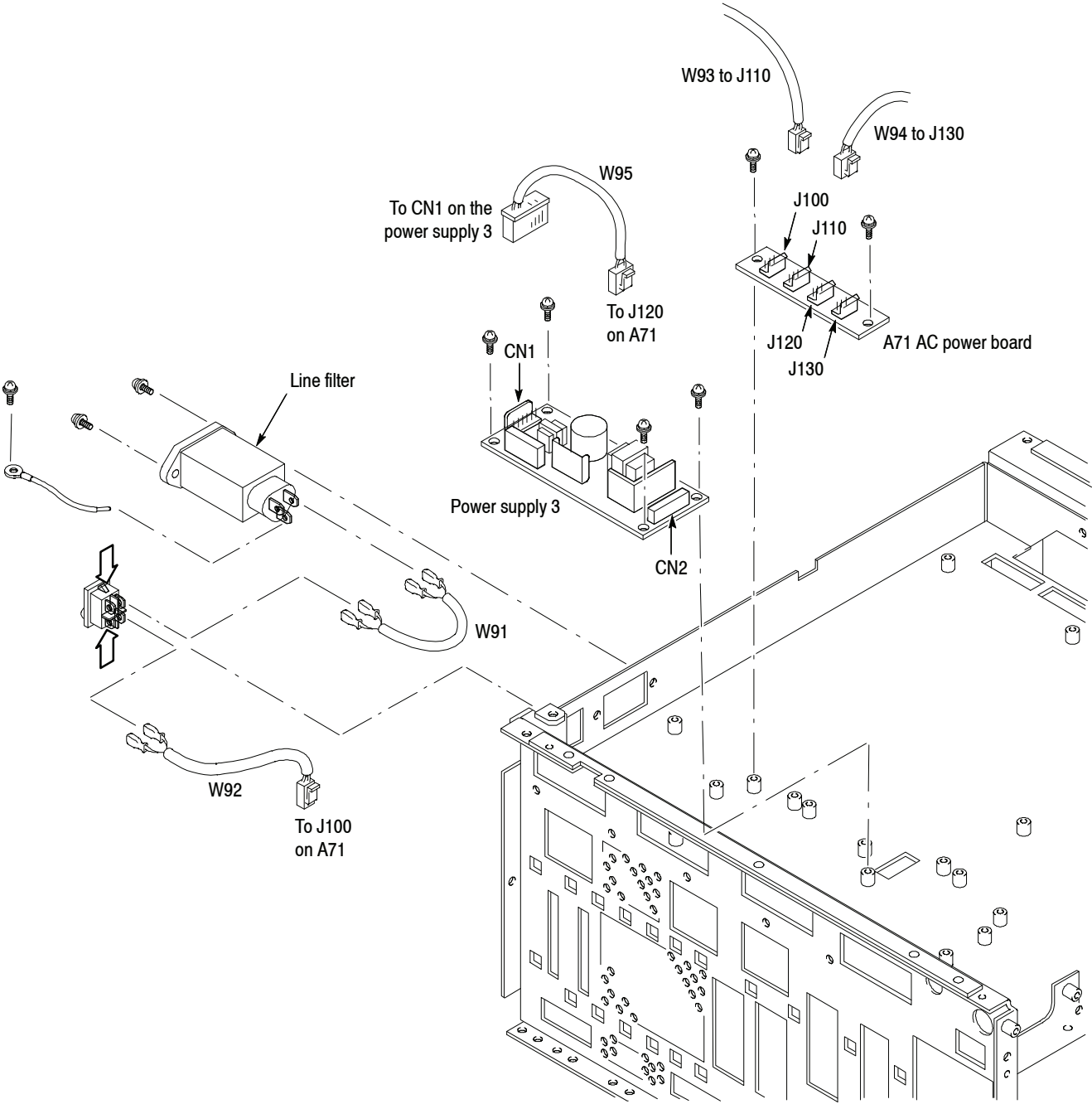


Figure 5-25: Power supply modules removal

**Line Filter**

1. *Assemble equipment and locate module to be removed:*
  - a. Have a screwdriver with Phillips #1 and #2 tips handy. (Items 1, 2, and 3)
  - b. Locate the line filter in the locator diagram *Bottom modules - Power supply*, Figure 5-7 on page 5-17.
2. *Orient the analyzer:* Set the analyzer so its top is down on the work surface and its rear is facing you.
3. *Remove the line filter:* See Figure 5-25.
  - a. Unplug the cable W92 from the line filter.
  - b. Using a screwdriver with a Phillips size #1 tip, unscrew the one nut that secures the ground lead to the rear chassis.
  - c. Using a screwdriver with a Phillips size #2 tip, remove the two screws securing the line filter to the rear chassis. Remove the line filter.
4. *Reinstallation:* Reverse step 3 to reinstall the line filter.

**Principal Power Switch**

1. *Assemble equipment and locate module to be removed:* No tools are needed. Locate the principal power switch in the locator diagram *Bottom modules - Power supply*, Figure 5-7 on page 5-17.
2. *Orient the analyzer:* Set the analyzer so its top is down on the work surface and its right side is facing you.
3. *Remove the principal power switch:* See Figure 5-25.
  - a. Unplug the cables from the principal power switch.
  - b. Pressing the catches at the top and the bottom of the switch, pull the switch out.
4. *Reinstallation:* Reverse step 3 to reinstall the principal power switch.



## Procedures for RF1 Modules on the Instrument Bottom

Read the *Access Procedure* on page 5-21 before proceeding. The procedures are presented in the following order:

- *A100 Cal generator board*
- *Step attenuator*
- *Input relay, band relay, and bandpass filter (YTF)*

### A100 Cal Generator Board

1. *Assemble equipment and locate module to be removed:*
  - a. You will need a #2 Phillips screwdriver (Items 1 and 3).
  - b. Locate the A100 Cal generator board in the locator diagram *Bottom modules - RF1*, Figure 5-8 on page 5-18.
2. *Orient the analyzer:* Set the analyzer so its top is down on the work surface and its left side is facing you.
3. *Remove the A100 Cal generator board:*  
See Figure 5-26. Also see Figure 5-38 for cable interconnection.
  - a. Unplug the cables at J200, J210, J212, and J600 on the A100 board.
  - b. Unplug the SMB cables at J400 and J410 on the A100 board.
  - c. Remove the nine screws securing the A100 board to the main chassis. (Three screws secure the FET and resistors attached to the board).
  - d. Lift the A100 board up away, disconnecting it at J100 on its back from the motherboard.
4. *Reinstallation:* Reverse step 3 to reinstall the A100 board.

### Step Attenuator

1. *Assemble equipment and locate module to be removed:*
  - a. You will need a #2 Phillips screwdriver (Items 1 and 3) and a  $\frac{5}{16}$  inch wrench (Item 13).
  - b. Locate the step attenuator in the locator diagram *Bottom modules - RF1*, Figure 5-8 on page 5-18.
2. *Orient the analyzer:* Set the analyzer so its top is down on the work surface and its left side is facing you.

A100 Cal generator board

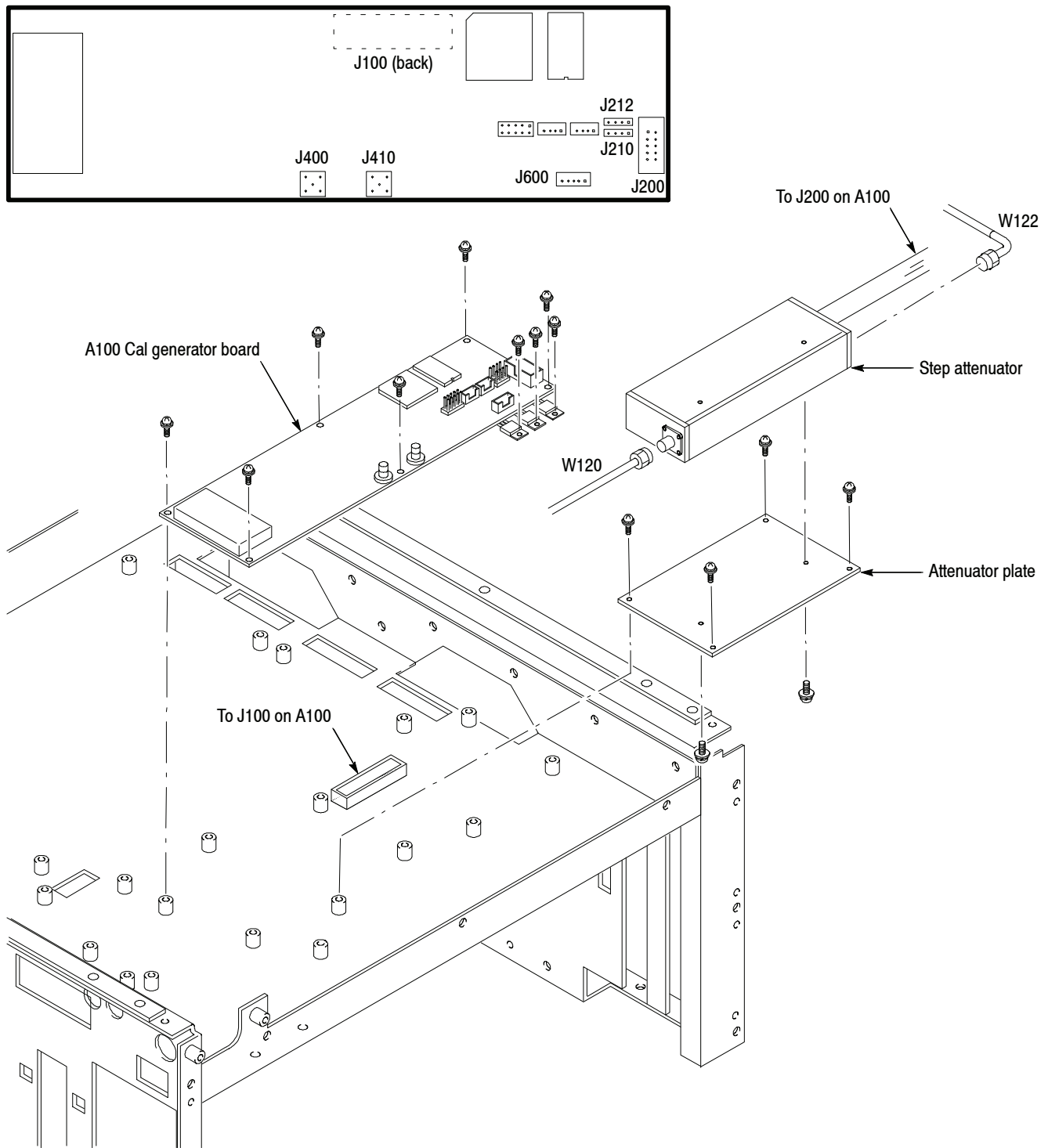


Figure 5-26: RF1 modules removal - 1

3. *Remove the step attenuator:*
  - a. Unplug the cable at J200 on the A100 Cal generator board, if not yet.
  - b. Using a  $\frac{5}{16}$  inch wrench, disconnect the SMA cable W121 from the step attenuator.
  - c. Remove the four screws securing the attenuator plate to the main chassis.
  - d. Using a  $\frac{5}{16}$  inch wrench, disconnect the SMA cable W120 from the step attenuator.
  - e. Lift up the step attenuator with the plate.
  - f. Remove the two screws securing the step attenuator to the plate.
4. *Reinstallation:* Reverse step 3 to reinstall the step attenuator.

### **Input Relay, Band Relay, and Bandpass Filter (YTF)**

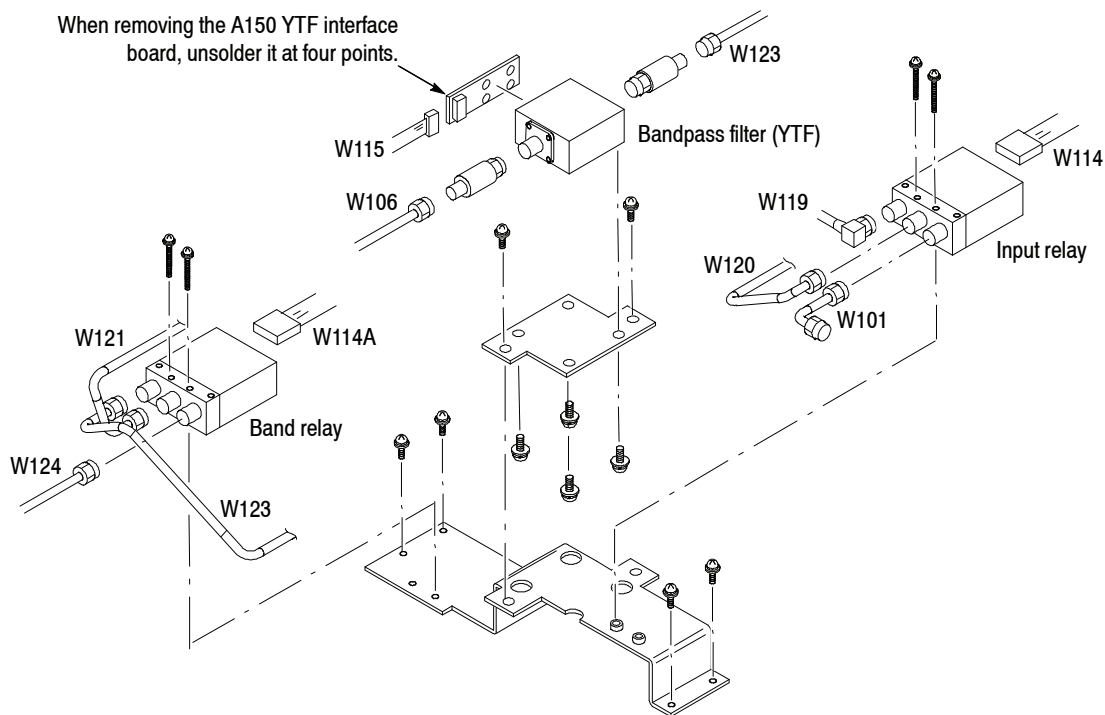
1. *Assemble equipment and locate module to be removed:*
  - a. You will need a screwdriver with Phillips #1, #2, and No 2. Pozidriv tips (Items 1, 2, 3, and 4), a SMA torque driver with a long type bit (Items 6 and 7), and a  $\frac{5}{16}$  inch wrench (Item 13).
  - b. Locate the modules in the locator diagram *Bottom modules - RF1*, Figure 5-8 on page 5-18.
2. *Orient the analyzer:* Set the analyzer so its top is down on the work surface and its front is facing you.
3. Remove the cables on the A100 Cal generator board (refer to the *A100 Cal Generator Board* procedure on page 5-51).

See Figure 5-27 for the following steps 4 through 6. Also see Figure 5-38 on page 5-76 for cable interconnection.

4. *Remove the band relay:*
  - a. Using a #1 Phillips screwdriver, remove the two screws securing the band relay to the bracket.
  - b. Using a  $\frac{5}{16}$  inch wrench, disconnect the SMA cables W121, W123, and W124 from the band relay.
  - c. Disconnect the cable W114A from the band relay.

**5. Remove the bandpass filter (YTF):**

- a. Using an SMA torque driver, disconnect the SMA cables W106 and W123 from the 3 dB attenuators at both sides of the bandpass filter.
- b. Using a  $\frac{5}{16}$  inch wrench, disconnect the 3 dB attenuators from the filter.
- c. Unplug the cable W115 from the A150 YTF interface board.
- d. Using a #1 Phillips screwdriver, remove the two screws securing the bandpass filter to the YTF plate. Lift up the filter with the plate.
- e. Using a No. 2 Pozidriv screwdriver, remove the four screws securing the bandpass filter to the YTF plate.
- f. Unsolder the A150 YTF interface board at four points to remove it from the bandpass filter.



**Figure 5-27: RF1 modules removal - 2**

- 6. Remove the input relay:**
  - a.** Using a #1 Phillips screwdriver, remove the two screws securing the input relay to the bracket.
  - b.** Using a  $\frac{5}{16}$  inch wrench, disconnect the SMA cable W101 from the RF input.
  - c.** Remove the five screws securing the RF1 bracket to the main chassis. Lift the RF1 bracket up away.
  - d.** Using an SMA torque driver, disconnect the SMA cables W101, W119, and W120 from the input relay.
  - e.** Disconnect the cable W114 from the input relay.
- 7. Reinstallation:** Reverse steps 3 through 6 to reinstall the input relay, band relay, and bandpass filter (YTF).

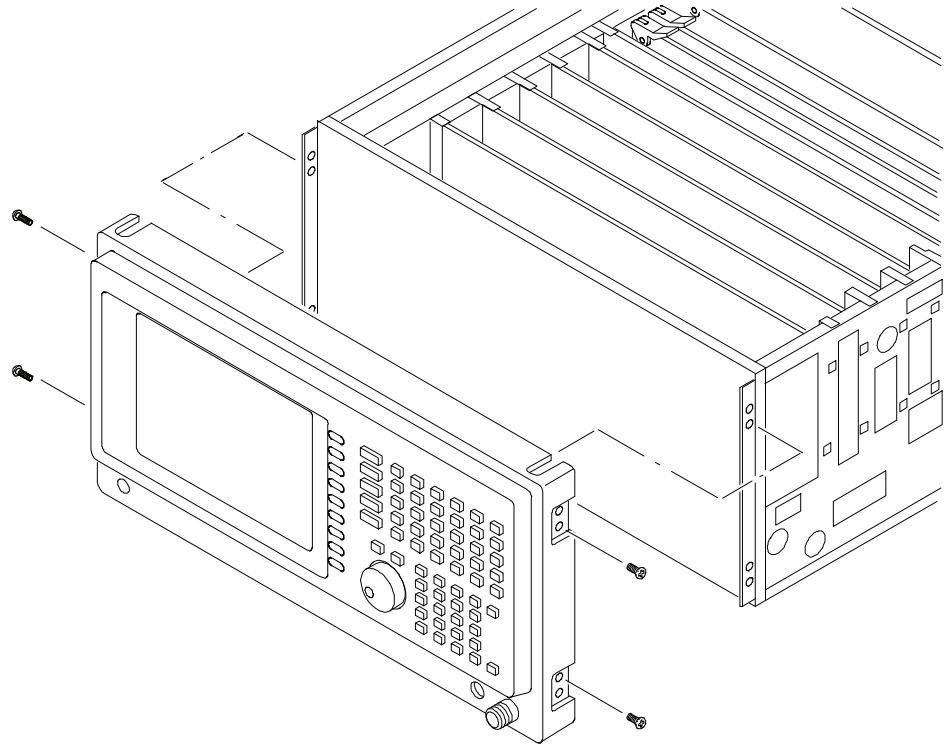
## Procedures for Front Panel Modules

Read the *Access Procedure* on page 5-21 before proceeding. The procedures are presented in the following order:

- *Front-panel assembly*
- *Rotary encoder*
- *Front Bezel, Menu Buttons, and Front Panel*
- *A60 Front key board*
- *A61 Power switch board*
- *Preamp power connector*
- *RF input connector*
- *LCD display*

### Front-Panel Assembly

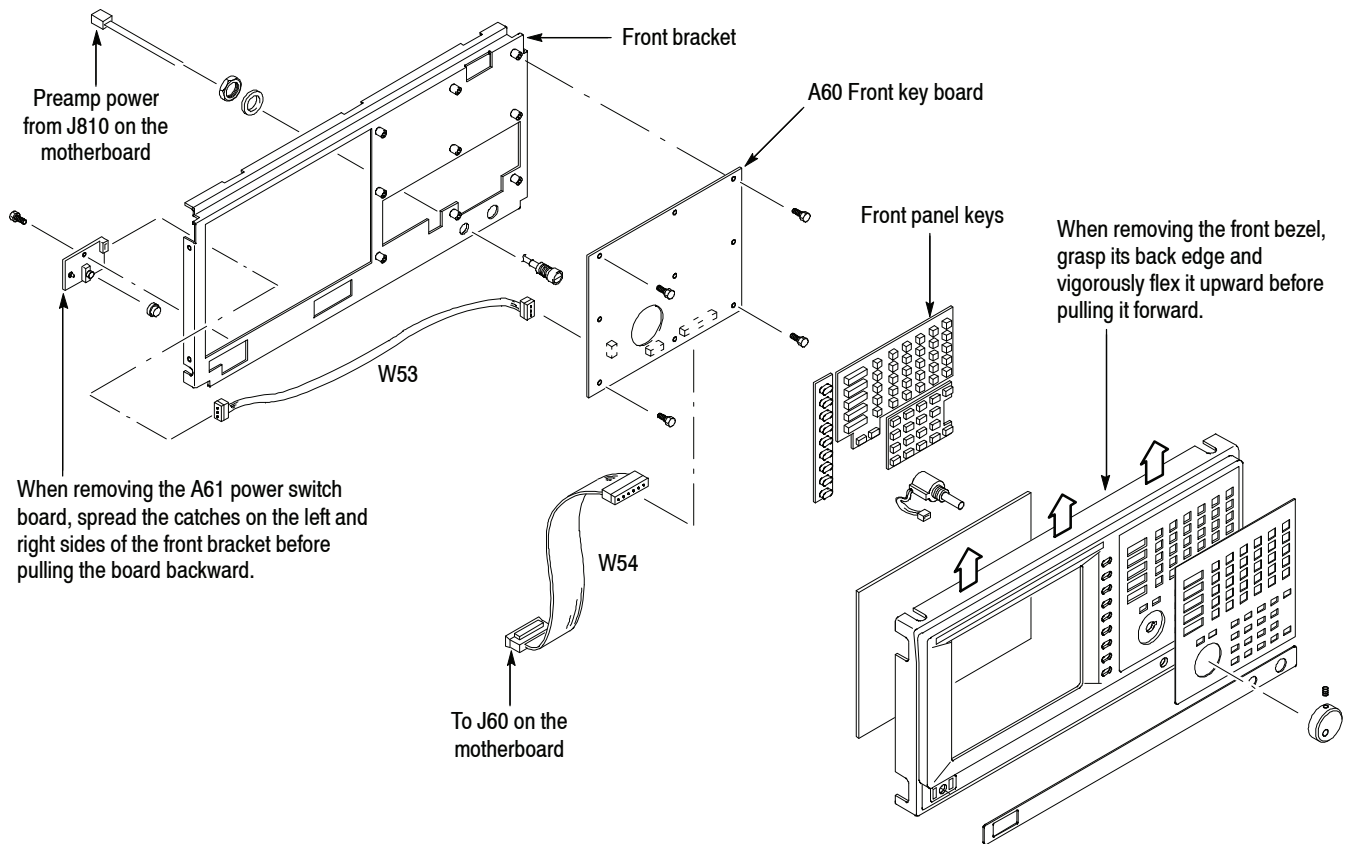
1. *Assemble equipment and locate module to be removed:*
  - a. You will need a #2 Phillips screwdriver (Items 1 and 3).
  - b. Locate the front panel assembly in the locator diagram *Front panel modules*, Figure 5-9 on page 5-19.
  - c. Remove the front cushions at both sides (refer to the *Front Cushion* procedure on page 5-23).
2. *Orient the analyzer:* Set the analyzer so its bottom is down on the work surface and its front is facing you.
3. *Remove the front panel assembly:* See Figure 5-28.
  - a. Unplug the preamplifier power cable at J810 on the A50 motherboard.
  - b. Unplug the cable at J60 on the A50 motherboard.
  - c. Remove the two screws securing the front-panel assembly to the main chassis at each side. Lift the front-panel assembly away.
4. *Reinstallation:* Reverse step 3 to reinstall the front-panel assembly.



**Figure 5-28: Front panel assembly removal**

### Rotary Encoder

1. *Assemble equipment and locate module to be removed:*
  - a. You will need a 12 mm nutdriver (Item 8), and a  $\frac{1}{16}$  inch hex wrench (Item 12).
  - b. Locate the rotary encoder in Figure 5-9 on page 5-19.
2. *Orient the front-panel assembly:* Set the front-panel assembly so its back is down on the work surface and its front is facing you.
3. *Remove the general purpose knob:* See Figure 5-29. Loosen the setscrew securing the knob using the  $\frac{1}{16}$  inch hex wrench. Pull the knob away.
4. *Remove the rotary encoder:* See Figure 5-29.
  - a. Unplug the rotary encoder cable at J140 on the A60 Front key board.
  - b. Using the 12 mm nutdriver, remove the nut securing the rotary encoder to the front bezel.
5. *Reinstallation:* Reverse steps 3 and 4 to reinstall the rotary encoder and the general purpose knob.



**Figure 5-29: Front panel modules removal**

**Front Bezel, Menu Buttons and Front Panel**

1. *Assemble equipment and locate modules to be removed:* No tools are needed. Locate the modules to be removed in the locator diagram *Front panel modules*, Figure 5-9 on page 5-19.
2. *Orient the front-panel assembly:* Set the front-panel assembly so its back is down on the work surface and its front is facing you.
3. *Remove the front bezel and menu buttons:* See Figure 5-29. Grasp the front bezel by its top edge, pry it up, and lift it forward to snap it off of the front bracket. If servicing the menu buttons, lift them out of the front bezel.
4. *Remove the front panel:* Unstick the front panel from the front bezel to remove it.
5. *Reinstallation:* Reverse steps 3 and 4 to reinstall the front panel, menu buttons, and front bezel.



**A60 Front Key Board**

1. *Assemble equipment and locate module to be removed:*
  - a. You will need a #2 Phillips screwdriver (Items 1 and 3).
  - b. Locate the A60 Front key board in the locator diagram *Front panel modules*, Figure 5-9 on page 5-19.
2. *Orient the front-panel assembly:* Set the front-panel assembly so its back is down on the work surface and its front is facing you.
3. *Remove the A60 Front key board:* See Figure 5-29.
  - a. Unplug the cable at J120 and J130 on the A60 board.
  - b. Remove the four screws securing the A60 board to the front bracket. Lift up and remove the A60 board.
4. *Reinstallation:* Reverse step 3 to reinstall the A60 board.

**A61 Power Switch Board**

1. *Assemble equipment and locate module to be removed:*
  - a. You will need a #2 Phillips screwdriver (Items 1 and 3).
  - b. Locate the A61 Power switch board in the locator diagram *Front panel modules*, Figure 5-9 on page 5-19.
2. *Orient the front-panel assembly:* Set the front-panel assembly so its front is down on the work surface and its back is facing you.
3. *Remove the A61 Power switch board:* See Figure 5-29.
  - a. Unplug the cable at J100 on the A61 board.
  - b. Remove the one screw securing the A61 board to the front bracket.
  - c. Spreading the catches at left and right sides on the front bracket, lift the A61 board up away.
4. *Reinstallation:* Reverse step 3 to reinstall the A61 board.

### **Preamp Power Connector**

1. *Assemble equipment and locate module to be removed:*
  - a. You will need a 14 mm nutdriver (Items 9).
  - b. Locate the preamp power connector in the locator diagram *Front panel modules*, Figure 5-9 on page 5-19.
2. *Orient the front-panel assembly:* Set the front-panel assembly so its front is down on the work surface and its back is facing you.
3. *Remove the preamplifier power connector:* See Figure 5-29. Using the 14 mm nutdriver, remove the nut securing the connector to the front bracket.
4. *Reinstallation:* Reverse step 3 to reinstall the preamp power connector.

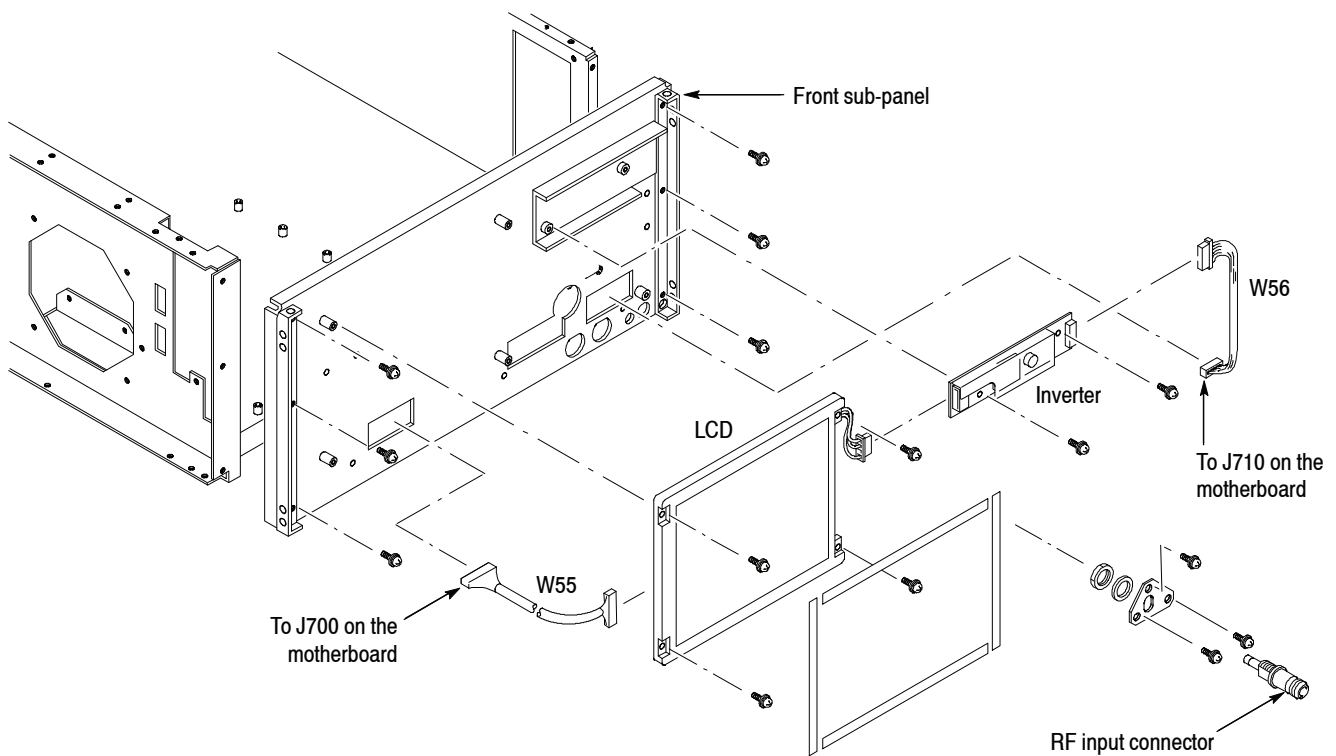
### **RF Input Connector**

1. *Assemble equipment and locate module to be removed:*
  - a. You will need a #2 Phillips screwdriver (Items 1 and 3), a  $\frac{9}{16}$  inch nutdriver (Item 10), and a  $\frac{5}{16}$  inch wrench (Item 13).
  - b. Locate the RF input connector in Figure 5-9 on page 5-19.
  - c. Remove the front-panel assembly (refer to the *Front-Panel Assembly* procedure on page 5-56).
2. *Orient the analyzer:* Set the analyzer so its bottom is down on the work surface and its front is facing you.
3. *Remove the RF input connector:* See Figure 5-30.
  - a. Using a  $\frac{5}{16}$  inch wrench, disconnect the SMA cable W101 at RF INPUT. See Figure 5-38 on page 5-76 for cable interconnection.
  - b. Using a #2 Phillips screwdriver, remove the three screws securing the connector plate to the front sub-panel. Remove the connector with the plate from the front sub-panel.
  - c. Using the  $\frac{9}{16}$  inch nutdriver, remove the nut securing the connector to the plate. Remove the connector from the plate.
4. *Reinstallation:* Reverse step 3 to reinstall the RF input connector.

### **LCD Display**

1. *Assemble equipment and locate module to be removed:*
  - a. You will need a #2 Phillips screwdriver (Items 1 and 3).
  - b. Locate the LCD display in the locator diagram *Front panel modules*, Figure 5-9 on page 5-19.
  - c. Remove the front-panel assembly (refer to the *Front-Panel Assembly* procedure on page 5-56).

2. *Orient the analyzer:* Set the analyzer so its bottom is down on the work surface and its front is facing you.
3. *Remove the inverter:* See Figure 5-30.
  - a. Unplug the cables at CN1 and CN2 on the inverter.
  - b. Remove the two screws securing the inverter to the front sub-panel.
4. *Remove the LCD display:* See Figure 5-30.
  - a. Unplug the cables at CN1 and CN2 on the inverter.
  - b. Remove the two screws securing the inverter to the front sub-panel. Lift up and remove the LCD display.
5. *Reinstallation:* Reverse steps 3 and 4 to reinstall the LCD display and interconnect cables.



**Figure 5-30: LCD display removal**

## Procedures for Chassis Modules

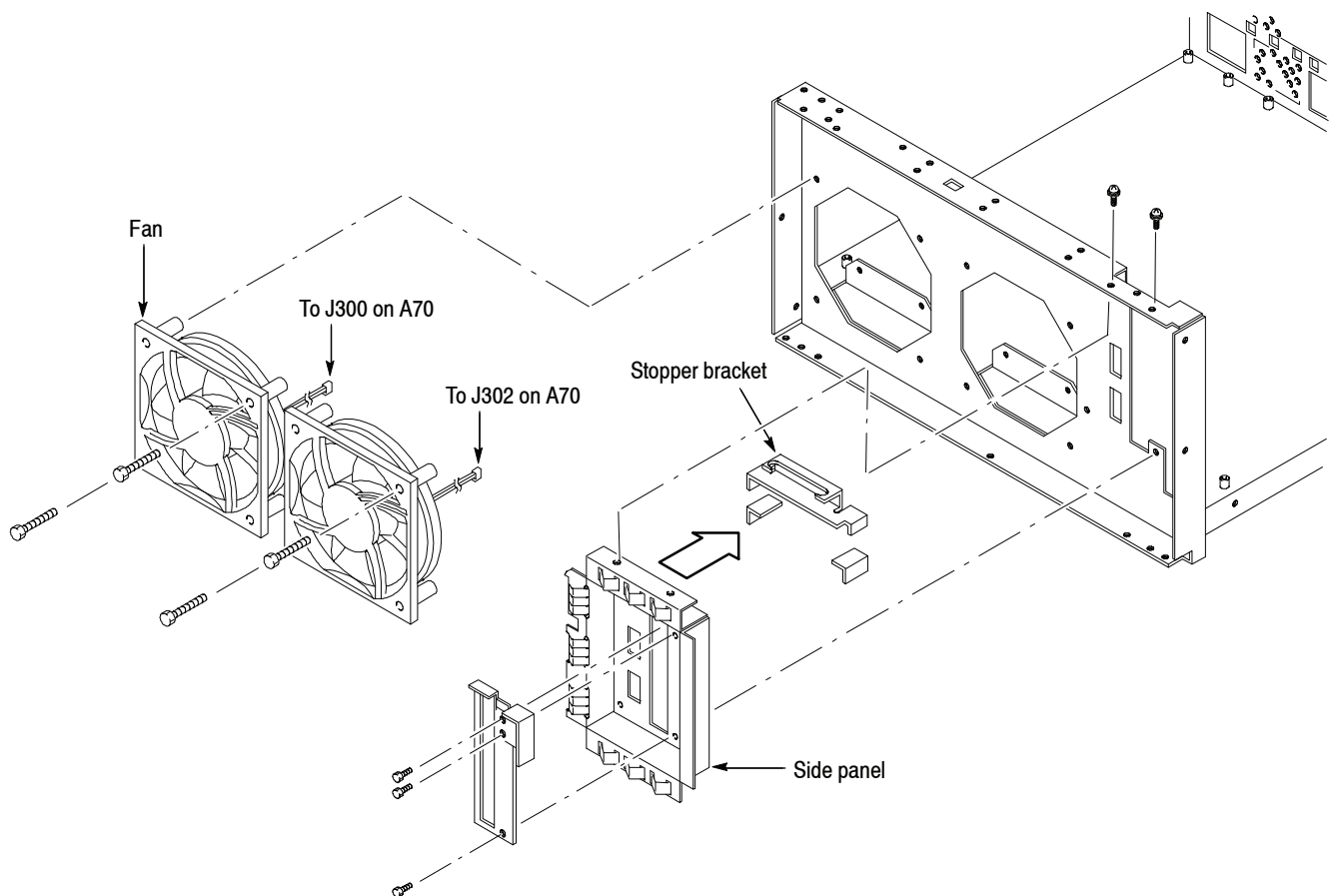
Read the *Access Procedure* on page 5-21 before proceeding. The procedures are presented in the following order:

- *Fan*
- *Side panel assembly*
- *Board guide bracket*
- *Rear panel*

- Fan**
1. *Assemble equipment and locate module to be removed:*
    - a. You will need a #2 Phillips screwdriver (Items 1 and 3).
    - b. Locate the fan in the *Chassis modules* locator diagram, Figure 5-10 on page 5-20.
    - c. Remove the cabinet (refer to the *Cabinet* procedure on page 5-22).
  2. *Orient the analyzer:* Set the analyzer so its bottom is down on the work surface and its front is facing you.
  3. *Remove the fan:* See Figure 5-31.
    - a. Unplug the fan's power cable at J300 and J302 on the A70 DC power board. Refer to the *A70 DC Power Board* procedure on page 5-42.
    - b. Remove the two screws securing the fan to the main chassis. Pull the fan away.
  4. *Reinstallation:* Reverse step 3 to reinstall the fan.

- Side Panel Assembly**
1. *Assemble equipment and locate module to be removed:*
    - a. You will need a #2 Phillips screwdriver (Items 1 and 3).
    - b. Locate the side panel assembly in the *Chassis modules* locator diagram, Figure 5-10 on page 5-20.
    - c. Remove the cabinet (refer to the *Cabinet* procedure on page 5-22).
  2. *Orient the analyzer:* Set the analyzer so its bottom is down on the work surface and its left side is facing you.
  3. Perform the *CPU Board and Disk Modules* procedure on page 5-31 to remove the CPU board and the disk bracket.

4. *Remove the side panel assembly:* See Figure 5-31.
  - a. Remove the three screws securing the shield bracket through side panel to the main chassis.
  - b. Remove the two screws securing the side panel to the main chassis. Pull the side panel away.
  - c. Pull out the stopper bracket to complete the removal.
5. *Reinstallation:* Reverse steps 3 and 4 to reinstall the side panel assembly.



**Figure 5-31: Fan and side panel removal**

### Board Guide Bracket

1. *Assemble equipment and locate module to be removed:*
  - a. You will need a #2 Phillips screwdriver (Items 1 and 3).
  - b. Locate the board guide bracket in the *Chassis modules* diagram, Figure 5-10 on page 5-20.
  - c. Remove the RF modules (refer to the *RF Modules* procedure on page 5-27).
  - d. Remove all the daughter boards (refer to the procedure *Motherboard and Daughterboards* on page 5-41).
2. *Orient the analyzer:* Set the analyzer so its bottom is down on the work surface and its left side is facing you.

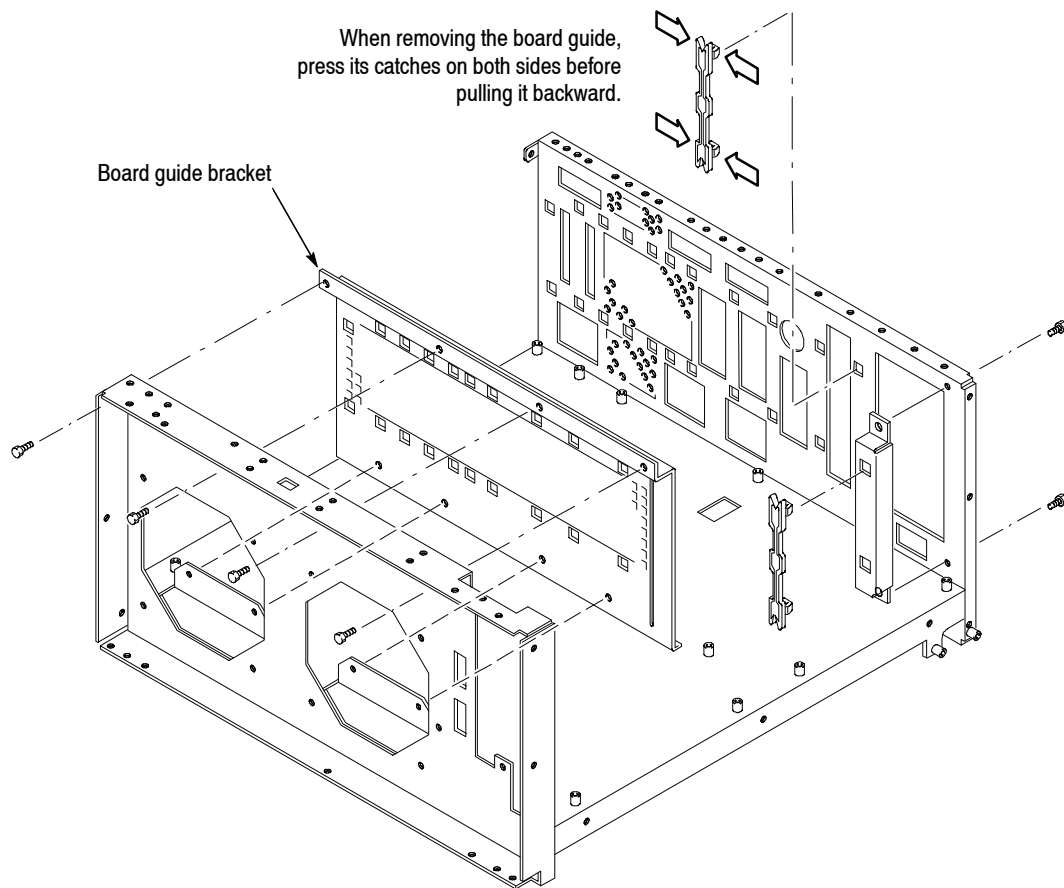


Figure 5-32: Board guide bracket removal

3. *Remove the board guide bracket:* Remove the four screws securing the board guide bracket to the main chassis. Lift the bracket up and away.
4. *Remove the PC board guide bracket:* Remove the two screws securing the PC board guide bracket to the main chassis. Lift the bracket up and away.
5. *Reinstallation:* Reverse steps 3 and 4 to reinstall the board guide brackets.

## Rear Panel

1. *Assemble equipment and locate module to be removed:*
  - a. You will need a screwdriver with #1 and #2 Phillips tips (Items 1, 2 and 3) and a flat-bladed screwdriver (Item 5).
  - b. Locate the rear panel in the *Chassis modules* diagram, Figure 5-10 on page 5-20.
2. *Orient the analyzer:* Set the analyzer so its bottom is down on the work surface and its rear is facing you.
3. *Remove the SMB-BNC connector:* See Figure 5-33.
  - a. Unplug the coaxial cable from the connector.
  - b. Using a #1 Phillips screwdriver, remove the four screws securing the connector to the rear chassis. Pull the connector away.

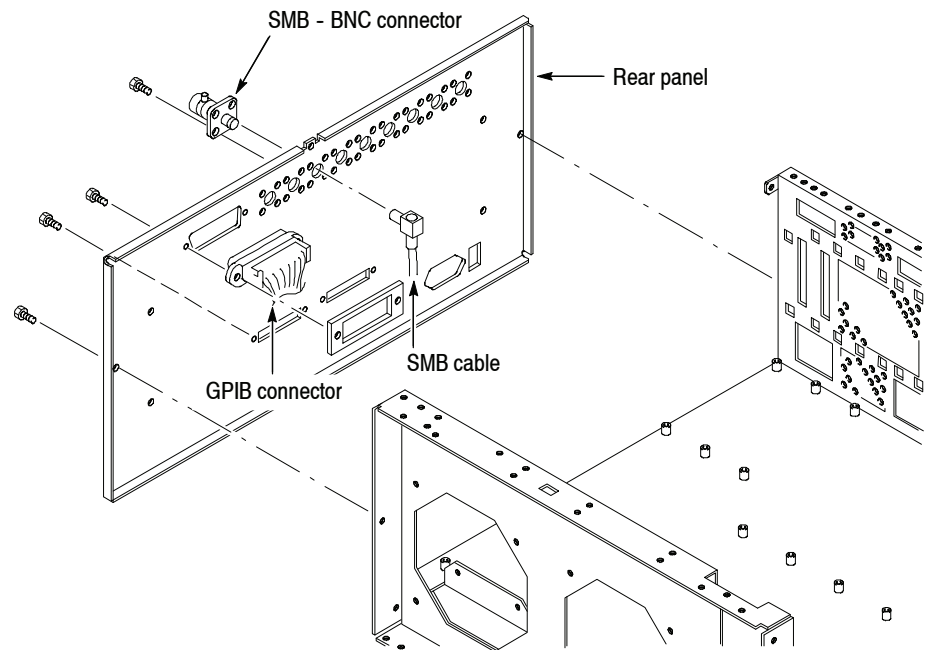


Figure 5-33: Rear panel removal

- 4.** *Remove the GPIB connector:* See Figure 5-33.
  - a.** Unplug the cable at J410 on the A70 DC power board. Refer to the *A70 DC Power Board* procedure on page 5-42.
  - b.** Using a flat-bladed screwdriver, remove the two screws securing the connector to the rear panel. Pull the connector away.
- 5.** *Remove the rear panel:*
  - a.** Using a #1 Phillips screwdriver, remove the four screws securing the digital I and Q output connectors to the rear panel.
  - b.** Remove the two screws securing the rear panel to the main chassis. Lift the rear panel up and away from the chassis.
- 6.** *Reinstallation:* Reverse steps 3 through 5 to reinstall the rear panel.



# Troubleshooting

This subsection contains information and procedures designed to help you isolate faulty modules in the analyzer. If a module needs to be replaced, follow the *Removal and Installation Procedures* located in this section.

## Troubleshooting Procedure

This subsection consists of the following flowcharts:

- Figure 5-34: Troubleshooting Procedure 1 — Power supply system
- Figure 5-35: Troubleshooting Procedure 2 — CPU and Display system
- Figure 5-36: Troubleshooting Procedure 3 — Signal path

If a fault is detected, first check that the power unit is operating properly according to “Troubleshooting Procedure 1 — Power supply modules”. Then, locate the faulty board according to the troubleshooting tree for each fault or the symptom/cause table.

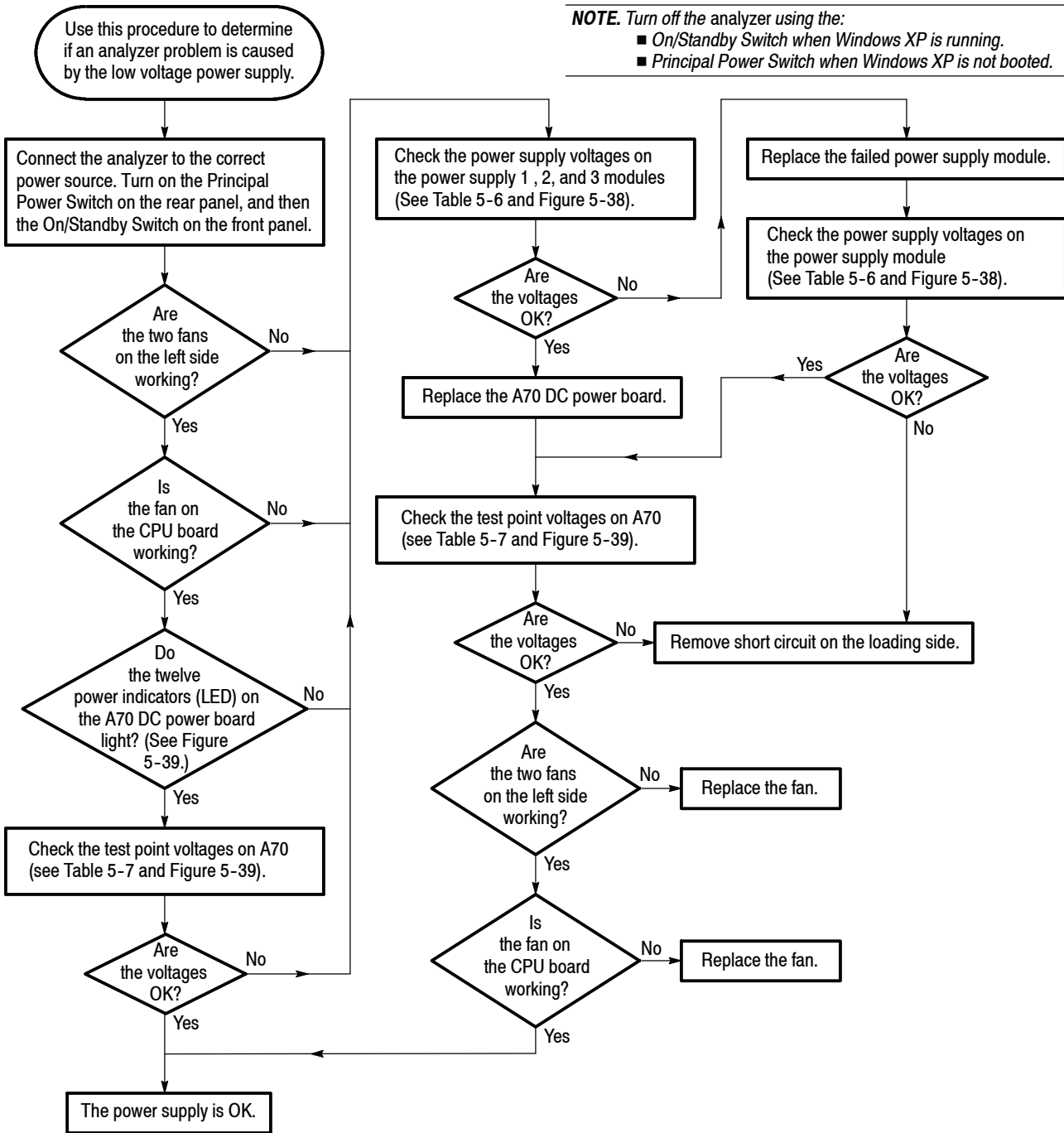


Figure 5-34: Troubleshooting procedure 1 — Power supply system

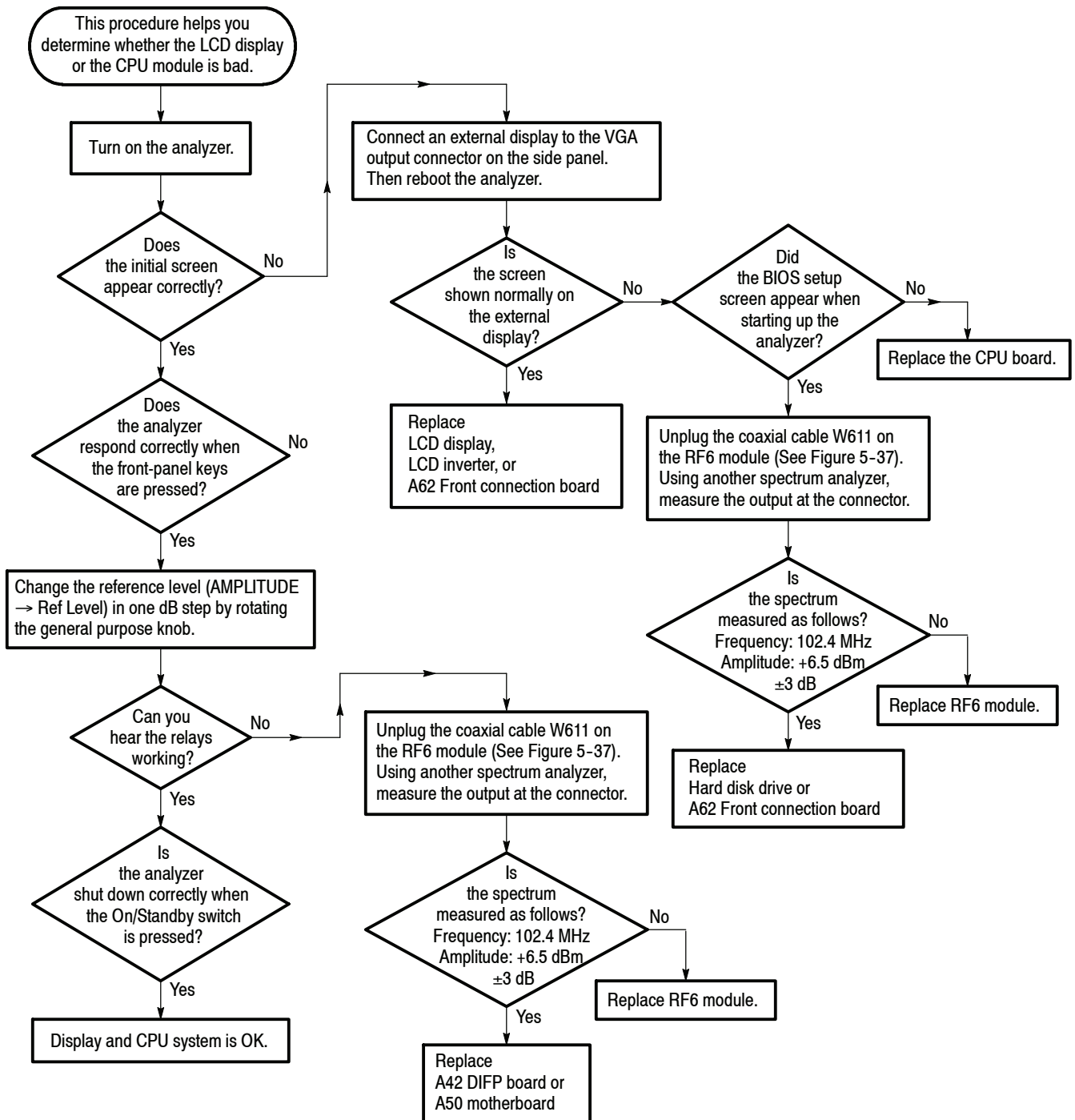


Figure 5-35: Troubleshooting procedure 2 — Display and CPU system

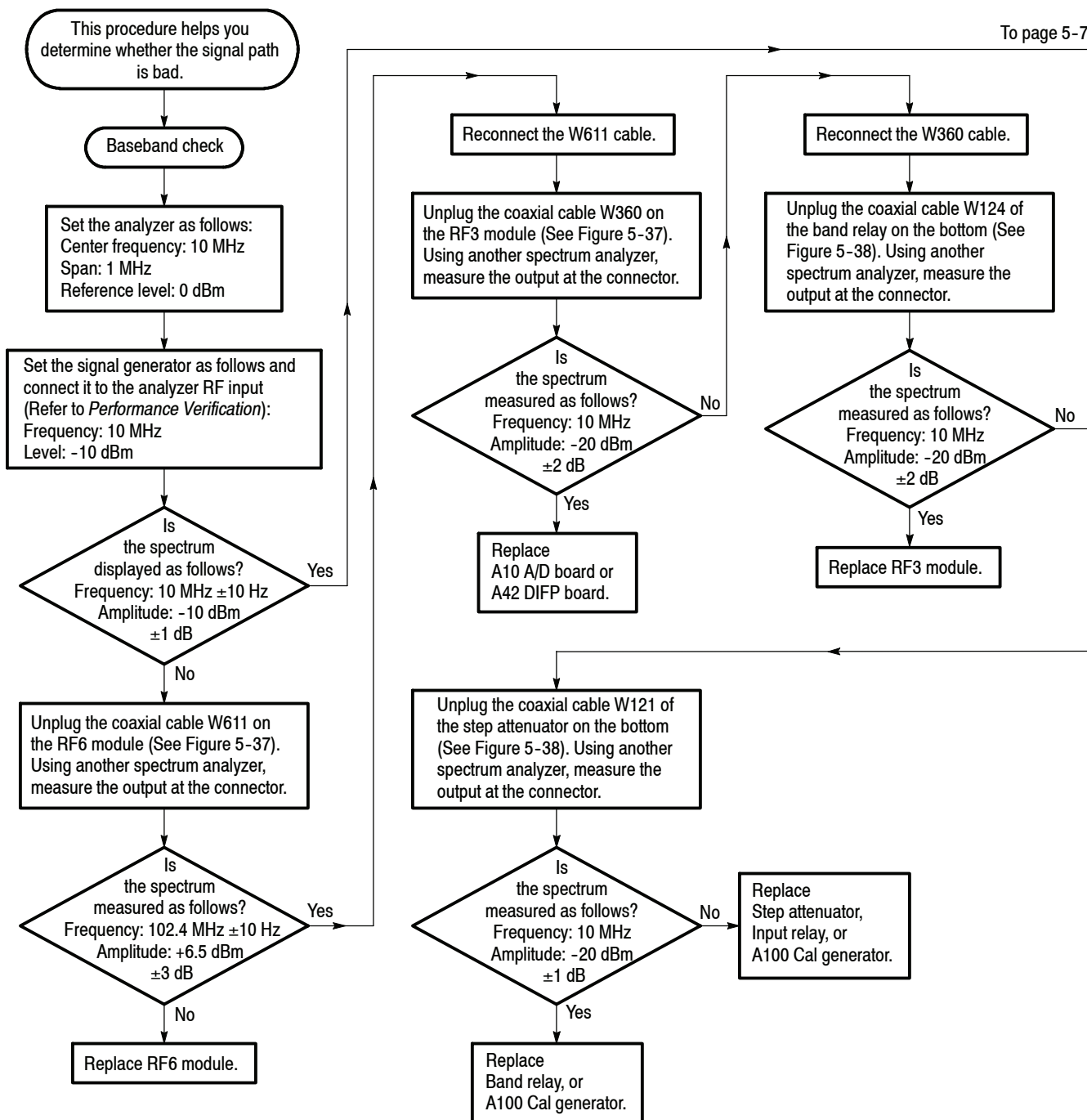


Figure 5-36: Troubleshooting procedure 3 — Signal path

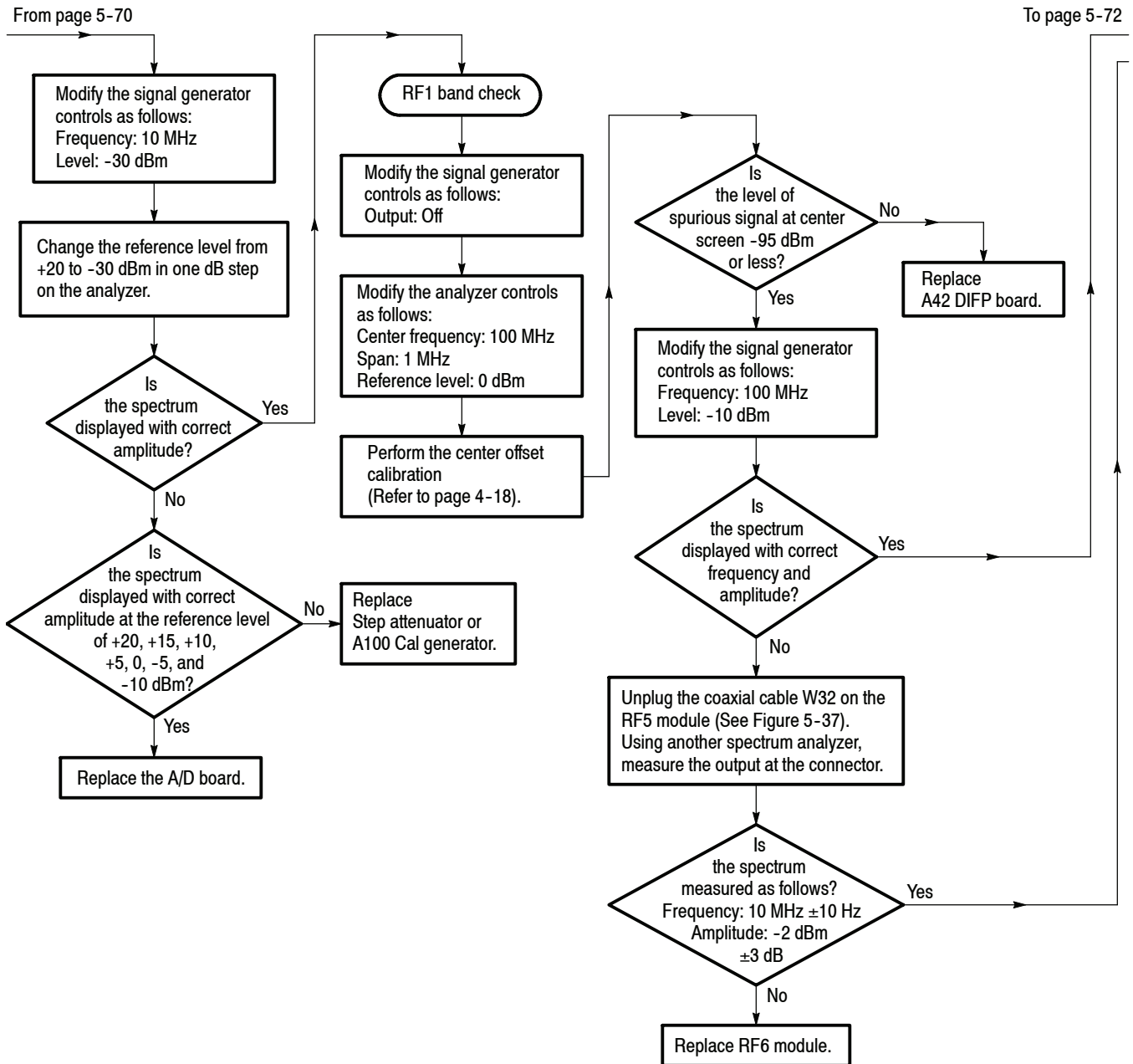


Figure 5-36: Troubleshooting procedure 3 — Signal path (Cont.)

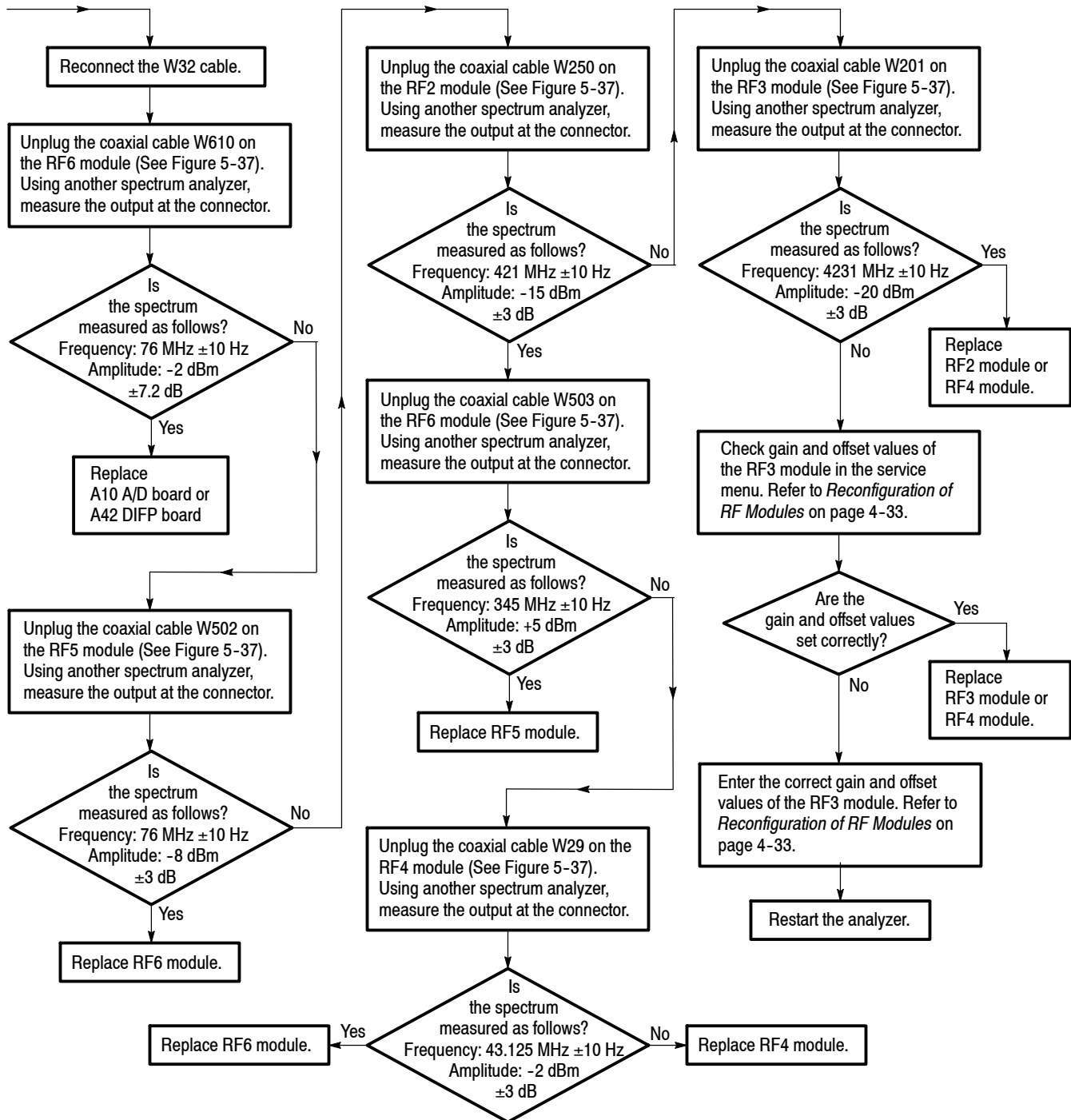


Figure 5-36: Troubleshooting procedure 3 — Signal path (Cont.)

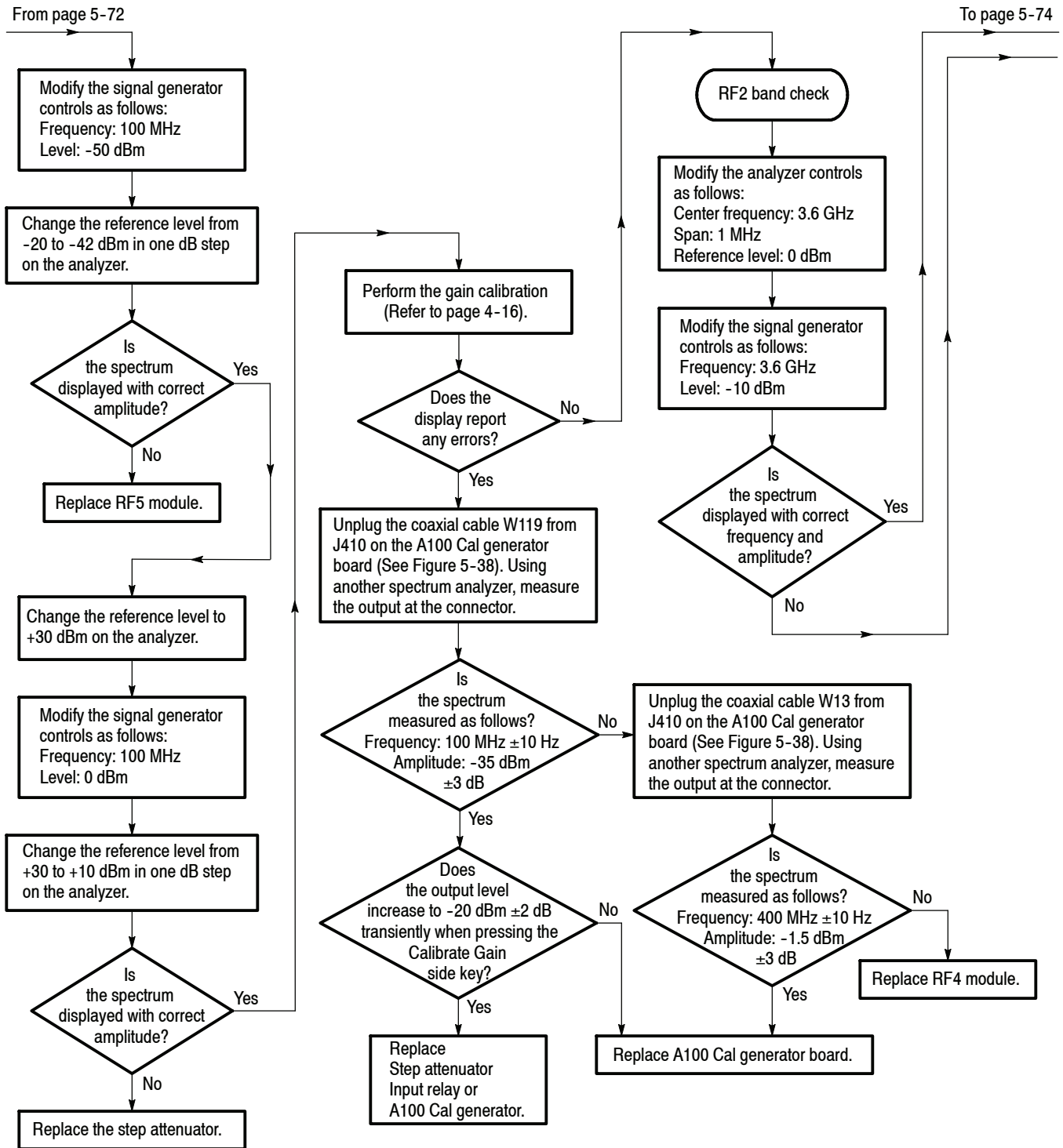


Figure 5-36: Troubleshooting procedure 3 — Signal path (Cont.)

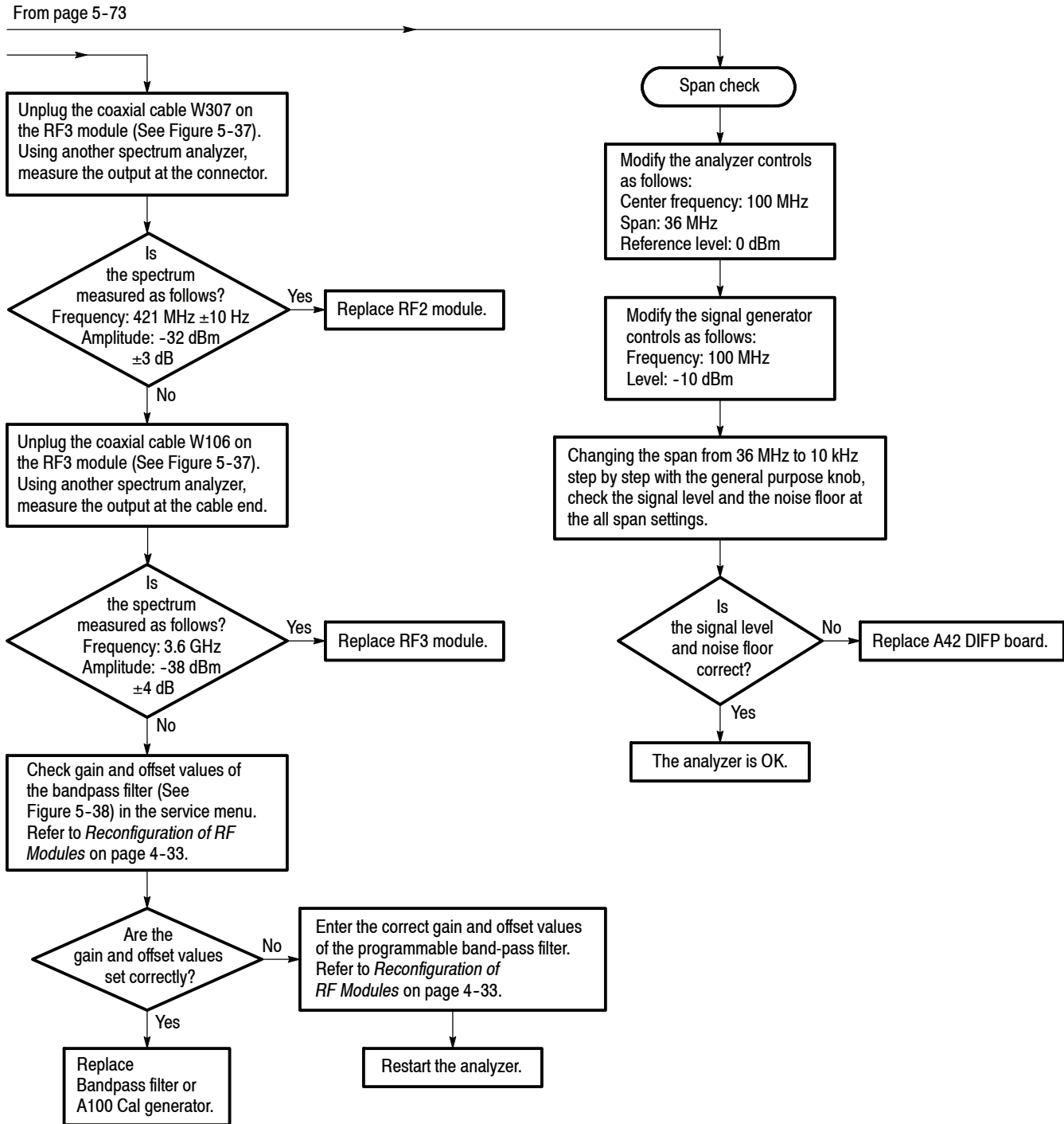


Figure 5-36: Troubleshooting procedure 3 — Signal path (Cont.)



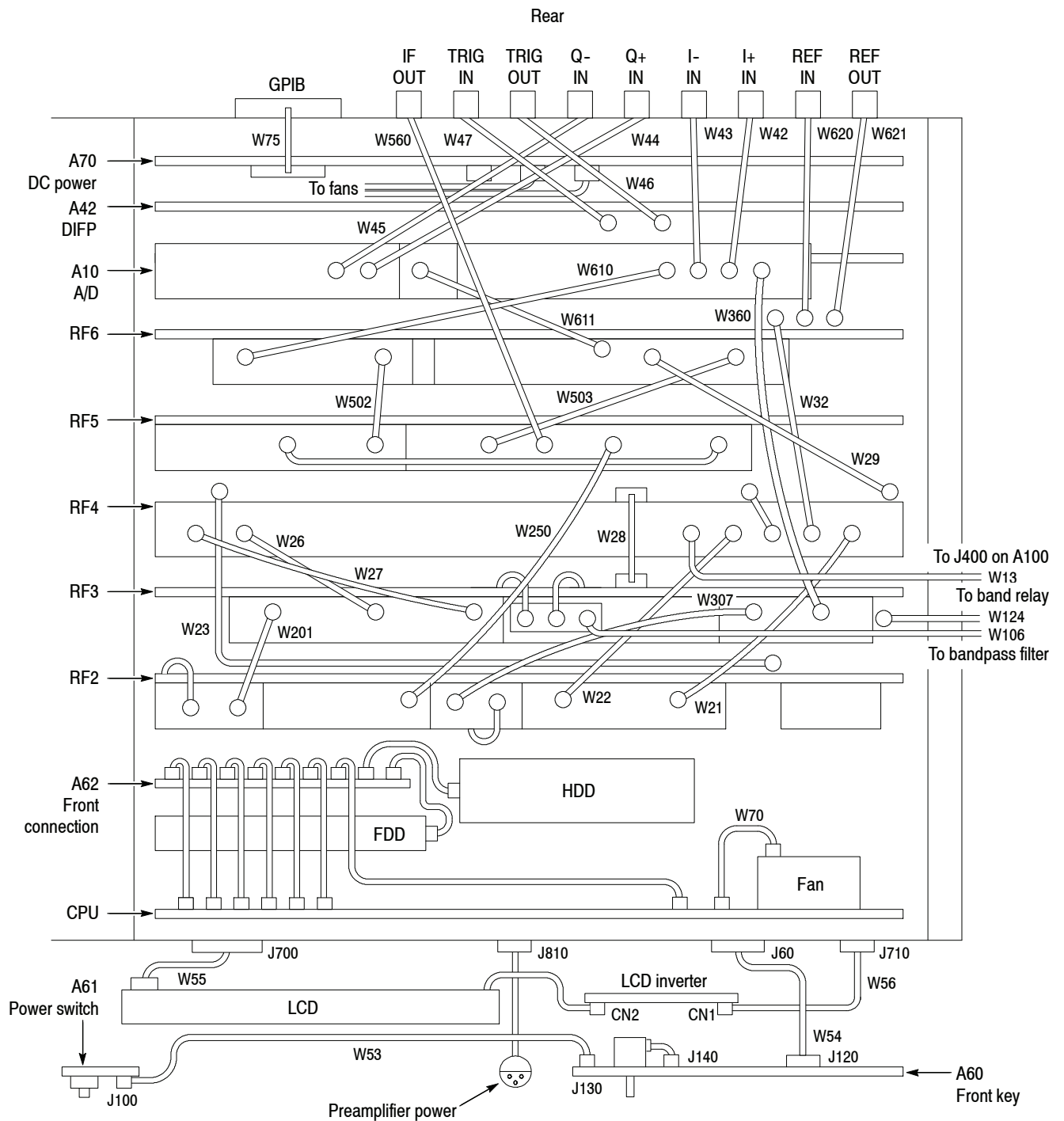


Figure 5-37: Top view of the instrument for cable interconnection

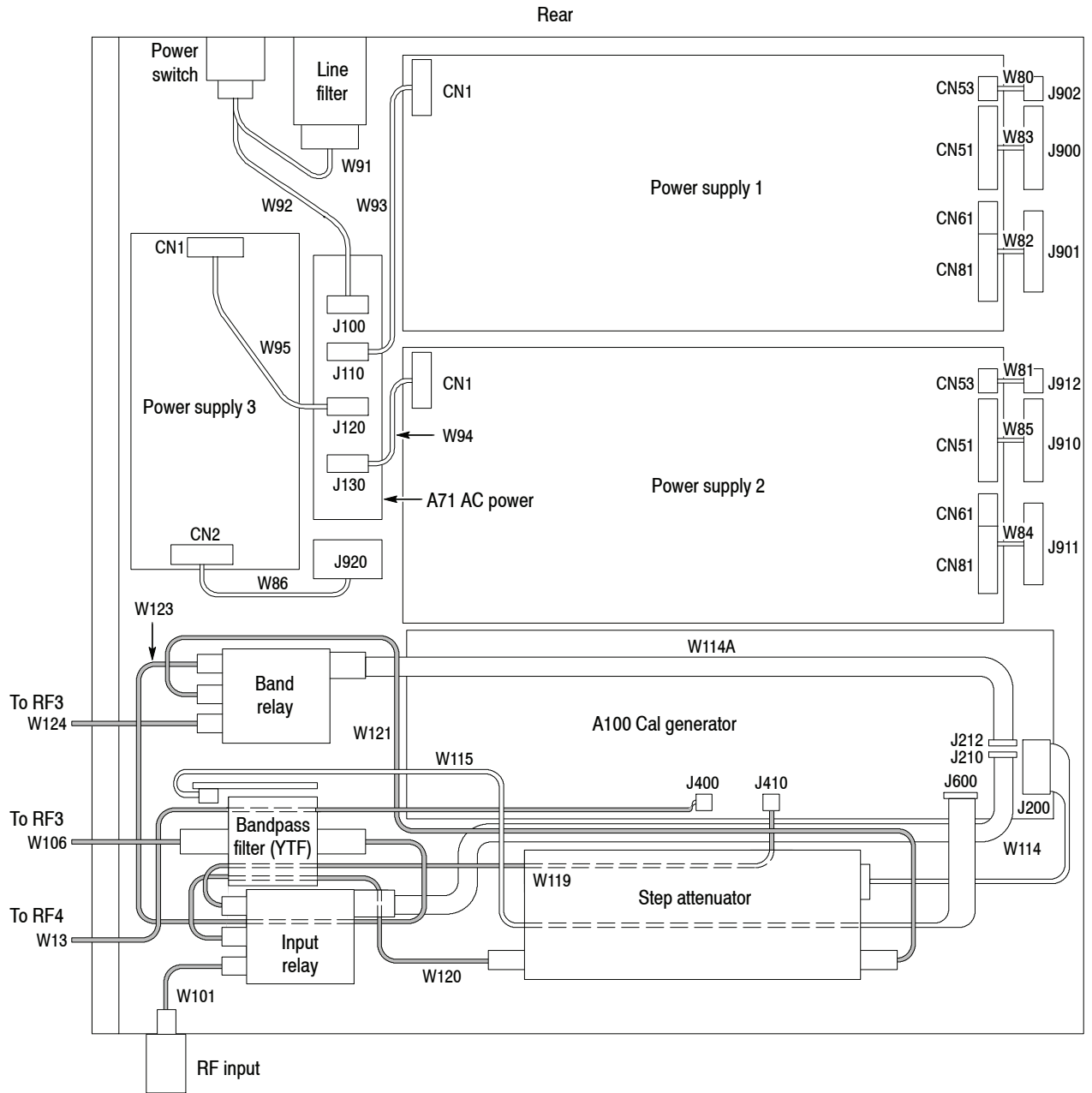


Figure 5-38: Bottom view the instrument for cable interconnection

**Table 5-6: Normal supply voltages**

Board	Connector	Pin no.	Normal	Low limit	High limit
Power supply 1	CN51	1	+5 V	+4.75 V	+5.25 V
		2	+5 V	+4.75 V	+5.25 V
		3	+5 V	+4.75 V	+5.25 V
	CN61	1	+15 V	+14.25 V	+15.75 V
		3	-15 V	-15.75 V	-14.25 V
	CN81	1	+24 V	+22.8 V	+25.2 V
		2	+24 V	+22.8 V	+25.2 V
	Power supply 2	CN51	1	+5 V	+4.75 V
2			+5 V	+4.75 V	+5.25 V
3			+5 V	+4.75 V	+5.25 V
CN61		1	+12 V	+11.4 V	+12.6 V
		3	-12 V	-12.6 V	-11.4 V
CN81		1	+3.3 V	+3.14 V	+3.46 V
		2	+3.3 V	+3.14 V	+3.46 V
Power supply 3		CN2	1	+5 V	+4.75 V
	2		+5 V	+4.75 V	+5.25 V
	5		+15 V	+14.25 V	+15.75 V

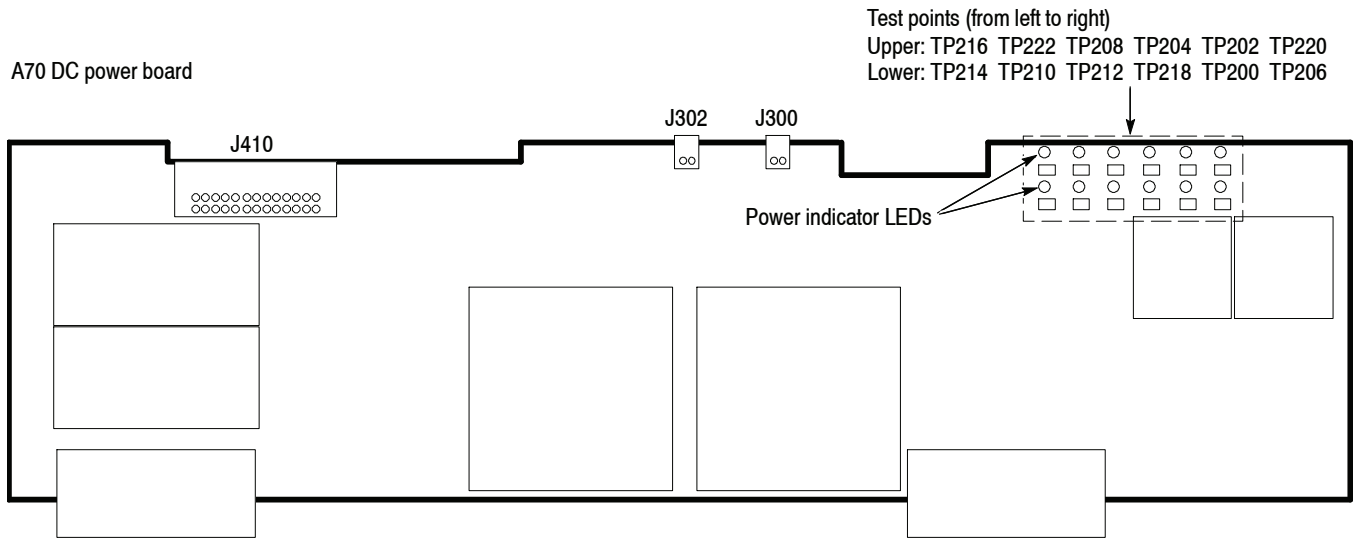


Figure 5- 39: A70 DC power supply board

Table 5- 7: Test point voltages on A70

Test point	Normal voltage	Low limit	High limit
TP216	+3.3 V	+3.14 V	+3.46 V
TP222	-6.6 V	-6.93 V	-6.27 V
TP208	+6.6 V	+6.27 V	+6.93 V
TP204	+9 V	+8.55 V	+9.45 V
TP202	+15 V	+14.25 V	+15.75 V
TP220	-6.6 V	-6.93 V	-6.27 V
TP214	+5 V	+4.75 V	+5.25 V
TP210	+6.6 V	+6.27 V	+6.93 V
TP212	+5 V	+4.75 V	+5.25 V
TP218	-15 V	-15.75 V	-14.25 V
TP200	+20 V	+19 V	+21 V
TP206	+6.6 V	+6.27 V	+6.93 V

## Symptoms and Faulty Modules

Fault symptoms can help you identify faulty boards or modules. Fault symptoms and suspected boards or modules are listed in Table 5-8.

**Table 5-8: Symptoms and faulty modules**

<b>Symptom (other functions are assumed to be normal)</b>	<b>Possible faulty module</b>
No trigger signal is output from the TRIG OUT connector on the rear panel.	A42 DIFP board
Cannot triggered with an external trigger signal.	A42 DIFP board
No reference signal is output from the REF OUT connector on the rear panel.	RF5 module
Displayed signal frequency shifts for an external reference source.	RF5 module
An external IQ signal is not displayed, or the signal level is incorrect.	A10 A/D board
Signal is not displayed or signal frequency shifts when you set up a specific (or in a specific range of) center frequency.	RF3 module or RF4 module
Noise floor excessively increases or spurious signal appears at specific span setting.	A42 DIFP board
Noise floor intermittently jumps high regardless of span or center frequency settings.	A10 AD or A42 DIFP board
Correct signal frequency and/or level are not displayed when span is set to a value greater than 20 MHz.	RF3 module or RF4 module
Acquisition freezes when you set a specific span.	A42 DIFP board
Error message is displayed when you execute self gain-calibration.	A100 Cal generator board or RF4 module
GPIB does not work.	A50 motherboard or A70 DC power board
Cannot turn off power using the On/Standby switch.	CPU board or Windows hangs up.
Cannot turn off power using the On/Standby switch while the power LED is not illuminated.	Power supply 3
Cannot turn off power using the On/Standby switch while the power LED is illuminated.	CPU board
A front-panel key does not respond.	A60 Front key board, CPU board, or Windows hangs up.
The frequency trigger does not work.	A42 DIFP board
Baseband mode does not work.	A10 A/D board
RF1 band does not work.	RF2 or RF3 module
RF2 or 3 band does not work.	RF3 module, Bandpass filter, or A100 Cal generator board

## Required Adjustments After Replacing Modules

When you change the following parts or modules, readjustment and/or recalibration is necessary. For details, refer to *Adjustment Procedures*.

### RF3 Module

- You must change the gain and offset values of YTO Tune DAC in the DEBUG menu. You can find the gain and offset values in a label located on the RF3 module.
- You must calibrate IF flatness, RF gain and flatness for RF1, 2, and 3 bands.

### RF2 and RF5 Modules

- You must calibrate IF flatness, RF gain and flatness for RF1, 2, and 3 bands.

### A10 A/D Board

- You must calibrate baseband gain and baseband flatness.
- You must calibrate IF flatness and RF gain for RF1, 2, and 3 bands.
- You must calibrate IQ gain.

### Step Attenuator

- You must calibrate baseband gain and flatness.
- You must calibrate RF gain and RF flatness for RF1, 2, and 3 bands.

### Bandpass Filter (YTF)

- You must change the gain and offset values of YTF Tune DAC in the DEBUG menu. You can find the gain and offset values in a label located on the YTF module.
- You must calibrate IF flatness, RF gain and flatness for RF2 and 3 bands.

### A100 Cal Generator Board

- You must calibrate baseband gain and RF gain for RF1 band.

### Hard Disk Drive

- Full calibration is necessary because the calibration factors are lost.

# Diagrams

This section contains the following diagrams:

- Block diagram: Shows the modules and functional blocks.
- Interconnect diagrams: Show how the modules connect together.





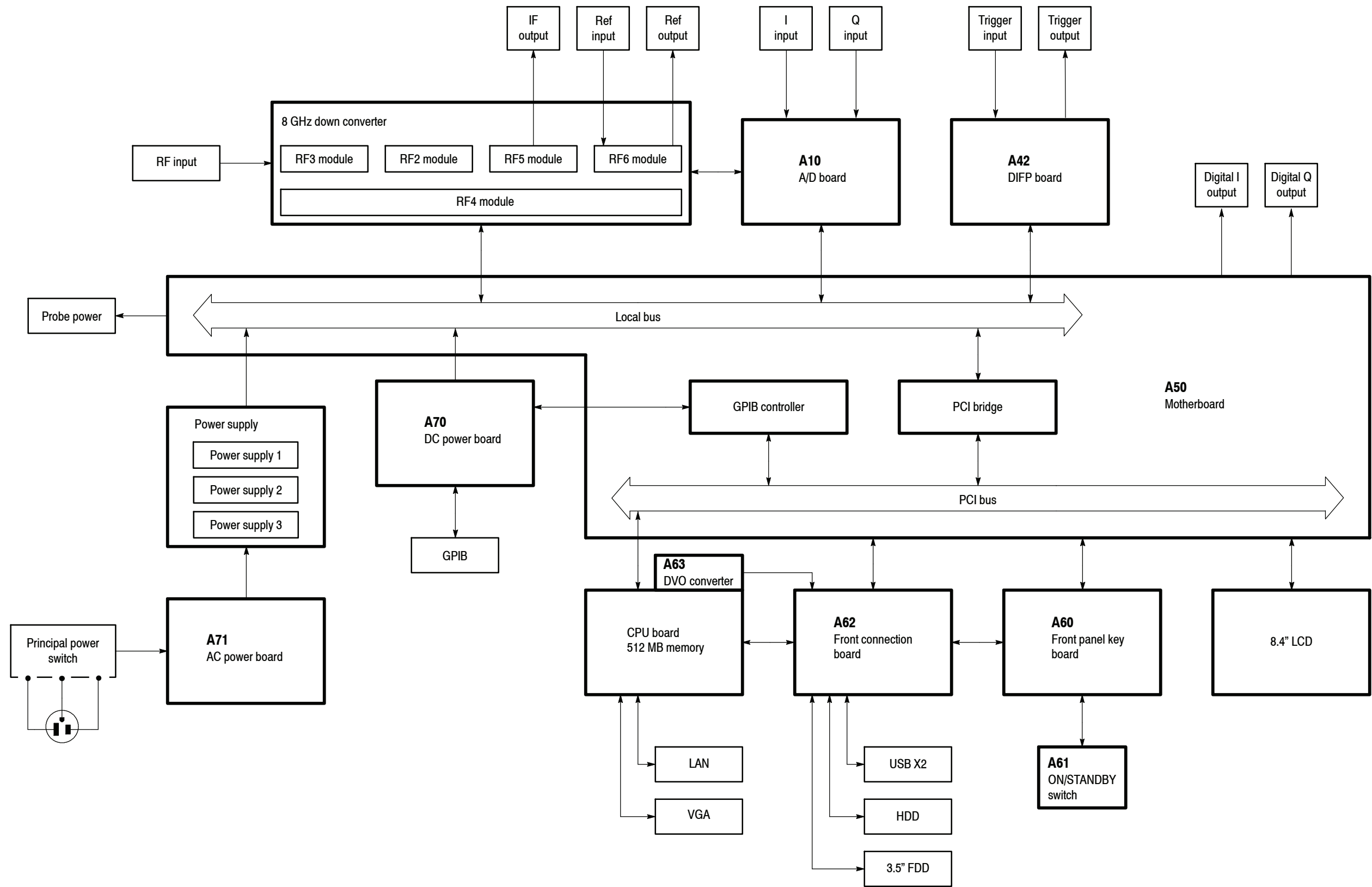


Figure 6-1: Block diagram



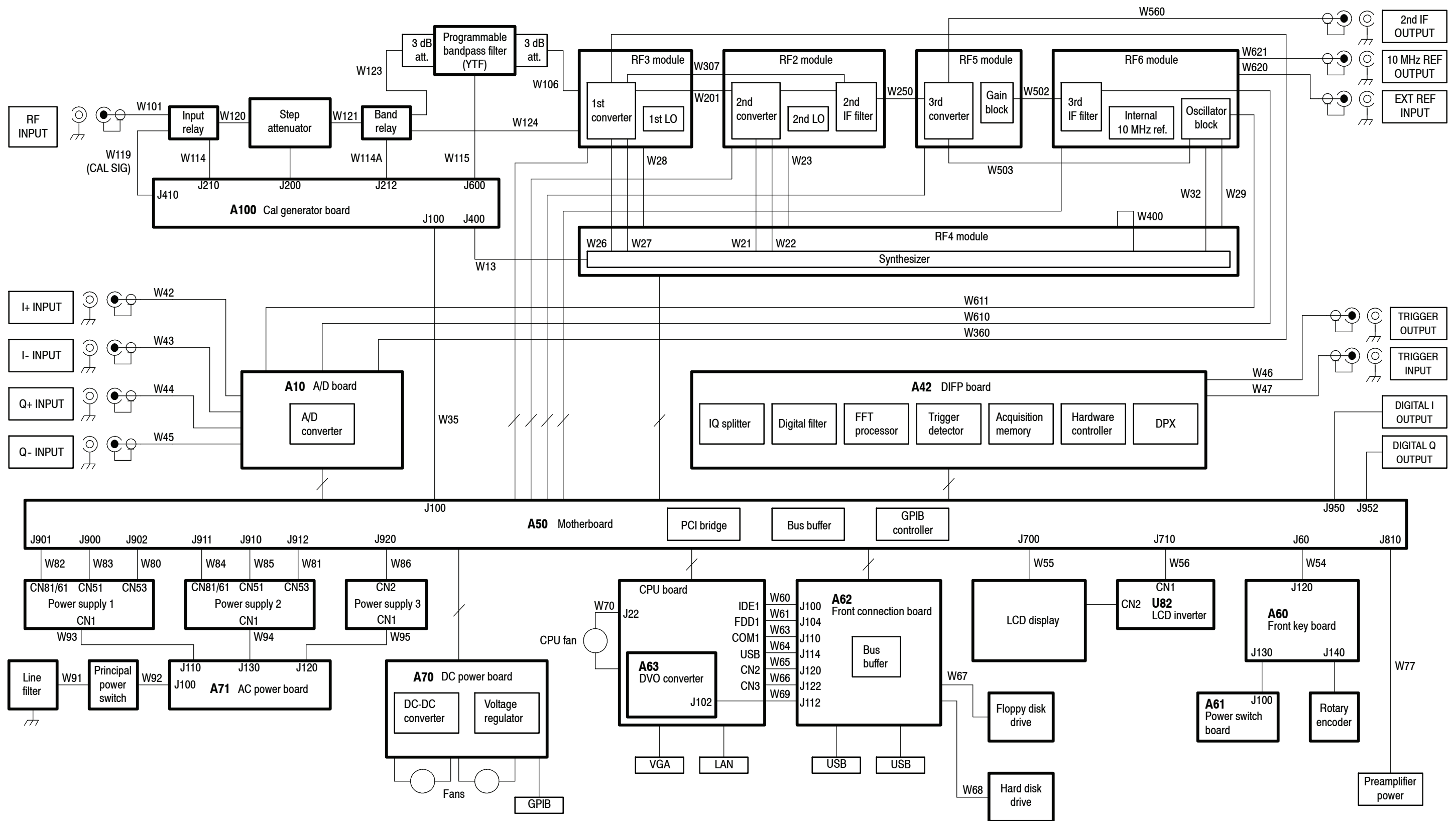


Figure 6-2: Interconnect diagram



# Replaceable Parts

This section contains a list of the replaceable modules for the RSA3408B 8 GHz Real-Time Spectrum Analyzer. Use this list to identify and order replacement parts.

## Parts Ordering Information

Replacement parts are available through your local Tektronix field office or representative.

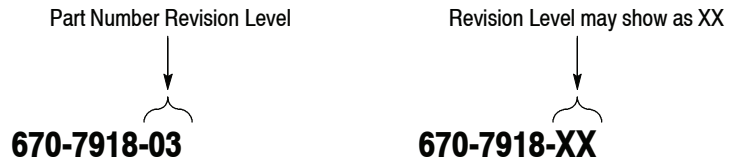
Changes to Tektronix products are sometimes made to accommodate improved components as they become available and to give you the benefit of the latest improvements. Therefore, when ordering parts, it is important to include the following information in your order:

- Part number
- Instrument type or model number
- Instrument serial number
- Instrument modification number, if applicable

If you order a part that has been replaced with a different or improved part, your local Tektronix field office or representative will contact you concerning any change in part number.

**Part Number Revision Level**

Tektronix part numbers contain two digits that show the revision level of the part. For most parts in this manual, you will find the letters XX in place of the revision level number.



When you order parts, Tektronix will provide you with the most current part for your product type, serial number, and modification (if applicable). At the time of your order, Tektronix will determine the part number revision level needed for your product, based on the information you provide.

**Module Servicing**

Modules can be serviced by selecting one of the following three options. Contact your local Tektronix service center or representative for repair assistance.

**Module Exchange.** In some cases you may exchange your module for a remanufactured module. These modules cost significantly less than new modules and meet the same factory specifications. For more information about the module exchange program, call 1-800-833-9200. Outside North America, contact a Tektronix sales office or distributor; see the Tektronix Web site for a list of offices: [www.tektronix.com](http://www.tektronix.com).

**Module Repair and Return.** You may ship your module to us for repair, after which we will return it to you.

**New Modules.** You may purchase replacement modules in the same way as other replacement parts.

## Using the Replaceable Parts List

This section contains a list of the mechanical and/or electrical components that are replaceable for the analyzer. Use this list to identify and order replacement parts. The following table describes each column in the parts list.

### Parts list column descriptions

Column	Column name	Description
1	Figure & index number	Items in this section are referenced by figure and index numbers to the exploded view illustrations that follow.
2	Tektronix part number	Use this part number when ordering replacement parts from Tektronix.
3 and 4	Serial number	Column three indicates the serial number at which the part was first effective. Column four indicates the serial number at which the part was discontinued. No entries indicates the part is good for all serial numbers.
5	Qty	This indicates the quantity of parts used.
6	Name & description	An item name is separated from the description by a colon (:). Because of space limitations, an item name may sometimes appear as incomplete. Use the U.S. Federal Catalog handbook H6-1 for further item name identification.

**Abbreviations**      Abbreviations conform to American National Standard ANSI Y1.1-1972.

**Replaceable parts list**

Fig. & index number	Tektronix part number	Serial No. effective	Serial No. discont'd	Qty	Name & description
7-1					
-1	200-A524-XX			1	COVER,FRONT,WCA230A/280A
-2	348-A152-XX			4	PAD,FOOT:GRAY,WCA230A/280A
-3	211-A039-XX			4	SCREW,MACHINE:M4X14MM L,PNH,STL,ZN PL,CROSS REC,W/FLAT&LOCK WASHER
-4	348-A150-XX			2	CUSHION,FRONT:GRAL,WCA230A/280A
-5	384-A223-XX			1	SHAFT,STAND:SST
-6	437-A013-XX			1	CABINET,ASSY:PORTABLE
-7	211-A004-XX			6	SCREW,MACINE:M4X10MM L,PNH,STL,ZN-C,CROSS REC W/FLAT&LOCK WASHER
-8	348-1917-XX			4	FOOT,REAR
-9	213-A249-XX			4	SCREW,MACHINE:M4X20 L,PNH,STL,ZN-C,CROSS REC,W/FLAT(MIGAKI)& LOCK WASHER
-10	367-0247-XX			1	HANDLE,CARRYING:11.54L,PLASTIC
-11	200-2191-XX			2	CAP,RETAINER:PLASTIC
-12	348-1110-XX			4	FOOT,CABINET:FRONT
-13	437-0519-XX			1	CABINET,ASSY:OPT06
-14	354-A054-XX			2	RING,RETAINING:EXT TYPE-E,U/O 3.0MM DIA GROOVE,SST
-15	210-1541-XX			2	WASHER,FLAT:4.3MM X 8MM OD X 0.5MM THK,OM(CC-0408-05)
-16	213-1145-XX			2	THUMBSCREW,EXT/HDD,COVER
-17	200-4964-XX			1	COVER,EXT/HDD, TOP
-18	348-1824-XX			2	SHIELD,GASKET;ELEC CONDUCTIVE URETHANE FOAM,3MM X 3MM, W/ADHESIVE,(3102),4.8CM LENGTH
-19	348-1824-XX			2	SHIELD,GASKET;ELEC CONDUCTIVE URETHANE FOAM,3MM X 3MM,W/ADHESIVE, (3102),9.3CM LENGTH
-20	167-0307-XX			1	IC,MEMORY;USB,BKUP.EXE PRE-INSTALLED,TYPE/SN LABEL ATTACHED,OPT06
-21	161-0066-12			1	CABLE ASSY,PWR(STANDARD ACCESSORY)



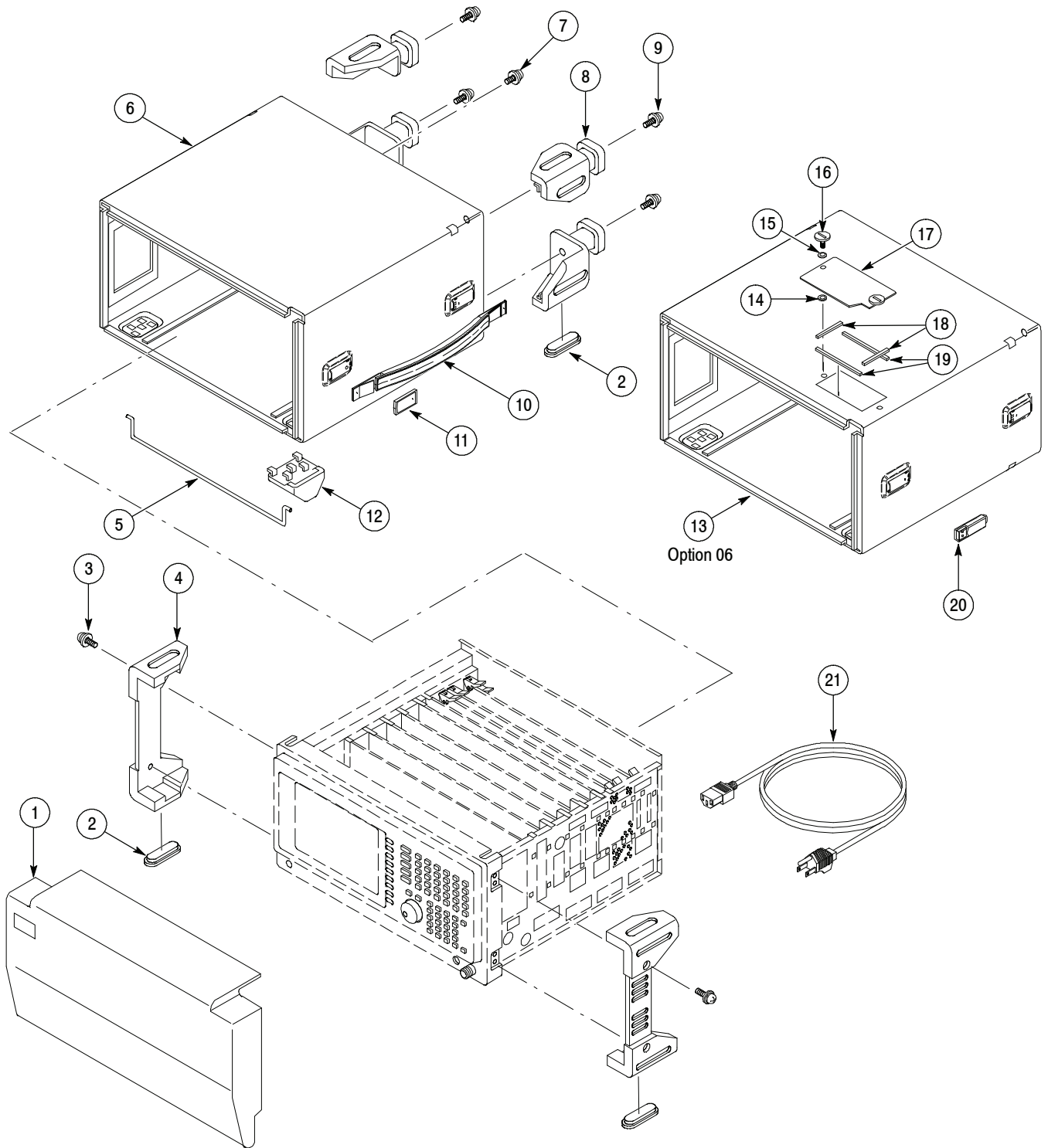


Figure 7-1: External modules



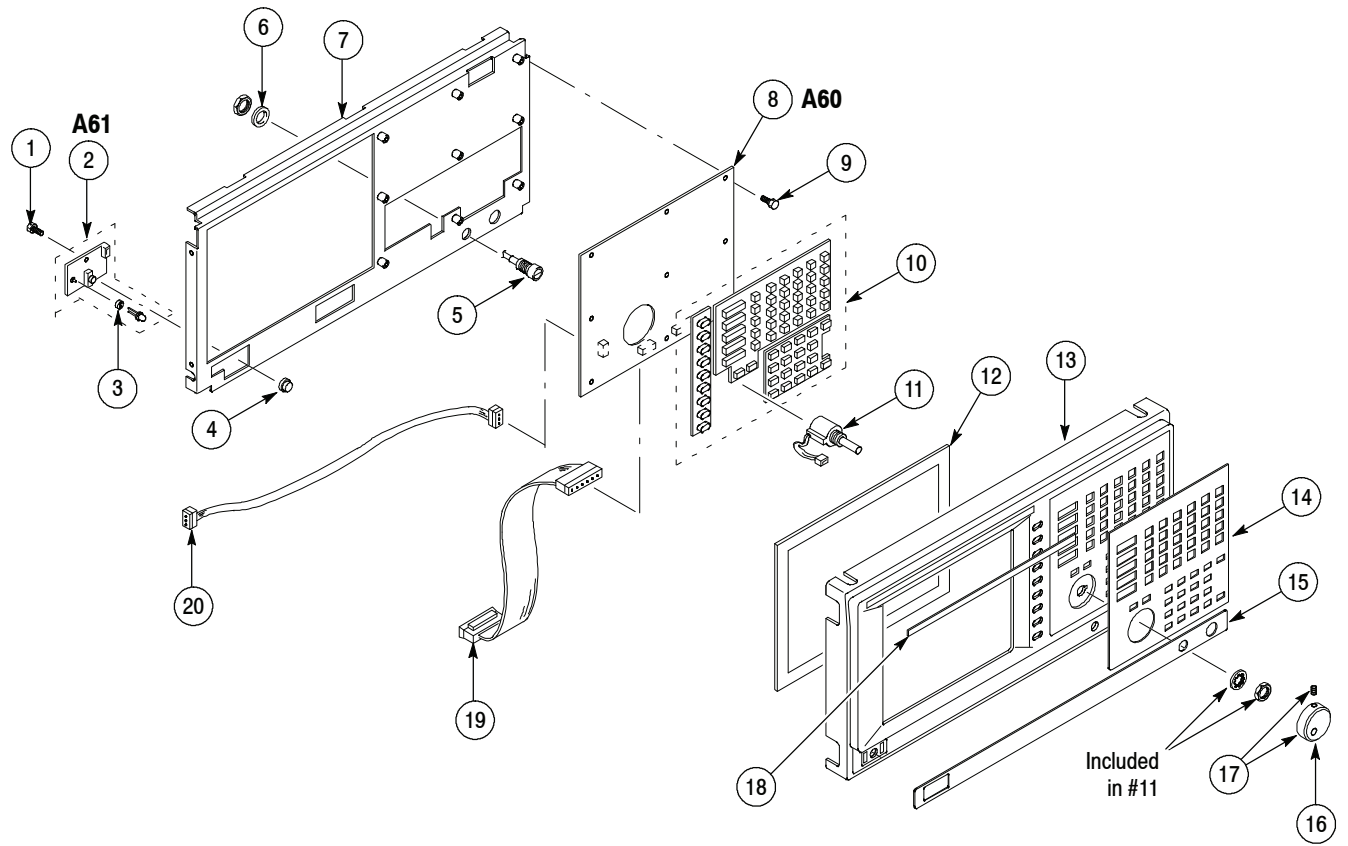


Figure 7-2: Front-panel assembly - 1

**Replaceable parts list**

Fig. & index number	Tektronix part number	Serial No. effective	Serial No. discont'd	Qty	Name & description
7-3					
-1	211-0945-XX			4	SCREW,MACHINE:M4X8MM L,STL,ZN-C,CROSS REC
-2	348-1433-XX			130 CM	SHLD GASKET,ELEC:MESH TYPE,2.5MM OD,SI SPONGE CORE
-3	407-A738-XX			1	BRACKET:FRONT SUB PANEL,WCA230A/280A
-4	343-1286-XX			2	CLAMP,CABLE:6.8MM ID,NYLON
-5	211-A004-XX			10	SCREW,MACHINE:M4X10MM L,PNH,STL,ZN-C,CROSS REC W/FLAT&LOCK WASHER
-6	343-1644-XX			2	CLAMP,CABLE:CLIP LOCKING WIRE,NYLON
-7	348-1644-XX			38 CM	SHIELD GASKET,ELEC:CONDUCTIVE URETHANE FOAM,W/ADHESIVE TAPE
-8	119-B125-XX			1	DISPLY MONITOR:8.4INCH,LCD,TFT,800X600,SVGA,3.3V,W BACK LIGHT
-9	119-B126-XX			1	INVERTER UNIT:COLD-CATHODE TUBE INVERTER FOR LTM08C351,12VDC,0.9A
-10	174-B984-XX			1	CA ASSY,SP,ELEC:8,26AWG,13CM L,W/HLDR
-11	211-0871-XX			2	SCREW,MACHINE:M3X6MM L,PNH,STL,ZN PL,CROSS REC,W/FLAT(7MM OD)& LOCK WASHER
-12	131-6608-XX			1	CONN,RF:N TO SMA,50OHM,PANEL MOUNT
-13	211-1028-XX			3	SCREW,MACHINE:M4X8MM L,PNH,STL,ZN-C PL,CROSS REC,W/FLAT&LOCK WASHER
-14	386-A857-XX			1	PLATE:N-CONNECTOR
-15	348-A116-XX			63 CM	SHLD GSKT ELEC:CONDUCTIVE URETHANE FOAM,1MM X 3MM,W/ADHESIVE
-16	211-0751-XX			4	SCREW,MACHINE:M3X8MM L,PNH,STL,ZN-C,CROSS REC,W/FLAT&LOCK WASHERS

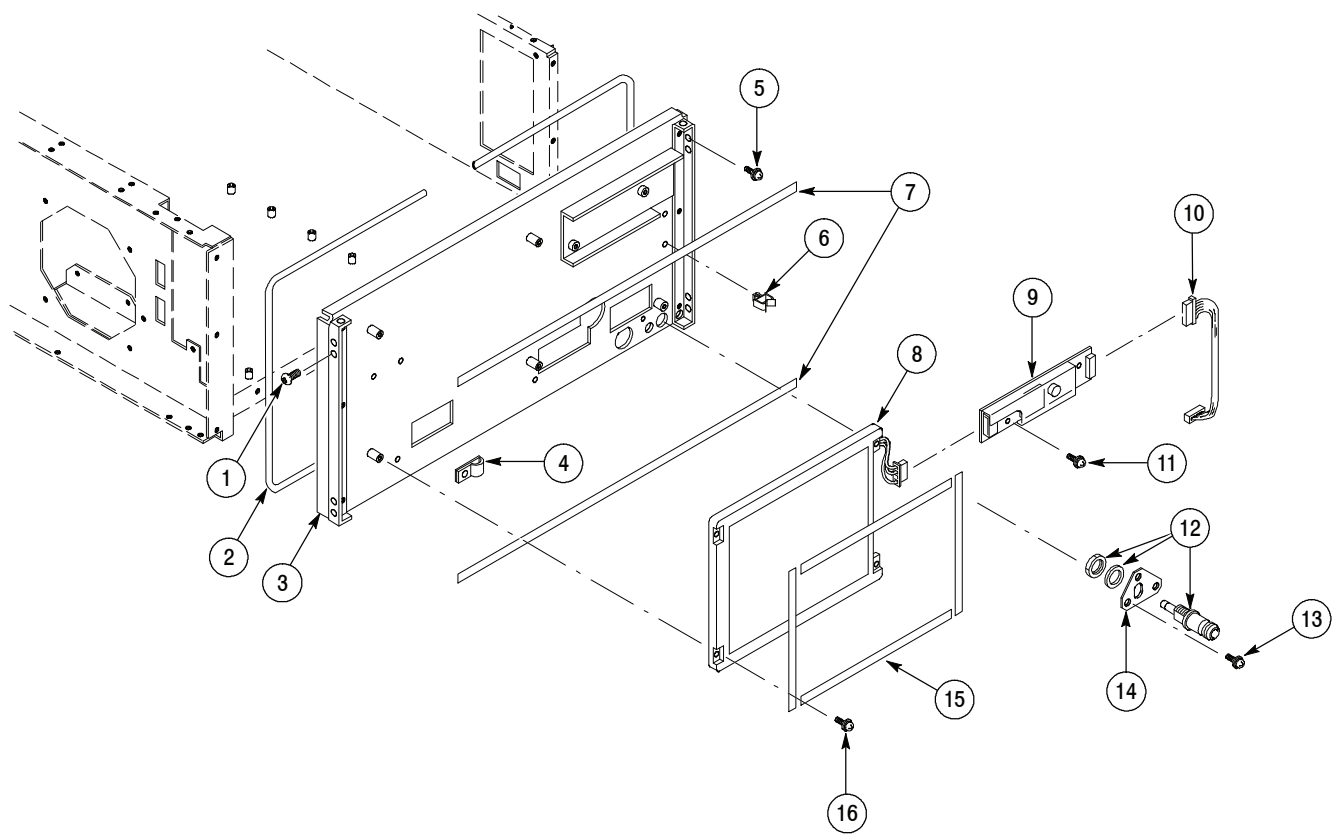


Figure 7-3: Front-panel assembly - 2

**Replaceable parts list**

<b>Fig. &amp; index number</b>	<b>Tektronix part number</b>	<b>Serial No. effective</b>	<b>Serial No. discont'd</b>	<b>Qty</b>	<b>Name &amp; description</b>
7-4					
-1	211-1028-XX			2	SCREW,MACHINE:M4X8MM L,PNH,STL,ZN-C PL,CROSS REC,W/FLAT&LOCK WASHER
-2	650-4726-XX			1	MODULE,RF:DOWNCONVERTER,3RD,LO OSC&AD CLK,RF6
-3	650-4725-XX			1	MODULE,RF:DOWNCONVERTER,3RD,GAIN,RF5
-4	650-5131-XX			1	MODULE,RF;DOWN CONVERTER,SYNTHESIZER,RF4
-5	650-4723-XX			1	MODULE,RF:DOWNCONVERTER,1ST,RF3
-6	650-4722-XX			1	MODULE,RF:DOWNCONVERTER,2ND,RF2

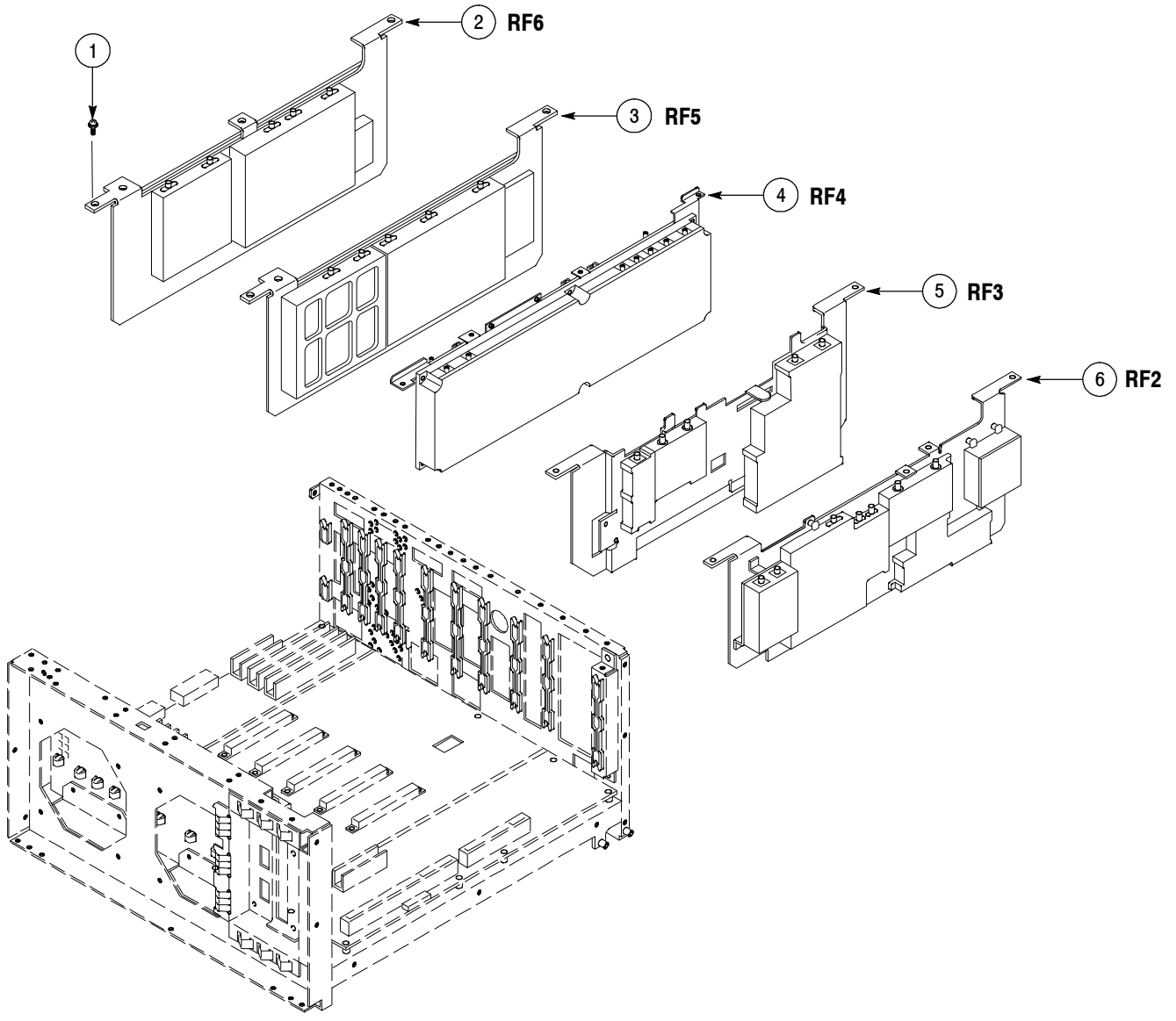


Figure 7-4: RF modules

**Replaceable parts list**

Fig. & index number	Tektronix part number	Serial No. effective	Serial No. discont'd	Qty	Name & description
7-5					
-1	211-1028-XX			2	SCREW,MACHINE:M4X8MM L,PNH,STL,ZN-C PL,CROSS REC,W/FLAT&LOCK WASHER
-2	343-1644-XX			2	CLAMP,CABLE:CLIP LOCKING WIRE,NYLON
-3	348-A120-XX			4	GASKET SHIELD:CONDUCTIVE URETHAN FOAM,2MM X 4MM,W/ADHESIVE
-4	344-0472-XX			2	BUSHING:BUSHING,NYLON,GRAY
-5	351-A165-XX			2	GUIDE,CKT BD:NYLON
-6	211-1028-XX			2	SCREW,MACHINE:M4X8MM L,PNH,STL,ZN-C PL,CROSS REC,W/FLAT&LOCK WASHER
-7	407-5027-XX			1	BRACKET;STOPPER,DIGITAL BOARD,AL
-8	211-0871-XX			2	SCREW,MACHINE:M3X6MM L,PNH,STL,MFZN-C,CROSS REC W/FLAT&LOCK WASHER
-9	407-A684-XX			1	BRACKET,SUPPORT:REAR
-10	671-5855-XX			1	CIRCUIT BD ASSY:A70 DC-POWER,389-B161-XX WIRED
-11	870-0139-XX			1	CIRCUIT BD ASSY;DIGITAL INTERMEDIATE FREQUENCY PROCESSOR(DIFP), PB-FREE,878013900 TESTED,3894019XX WIRED
-12	671-5848-XX			1	CIRCUIT BD ASSY:A10 A/D,389-3615-00 WIRED
-13	211-0871-XX			2	SCREW,MACHINE:M3X6MM L,PNH,STL,MFZN-C,CROSS REC W/FLAT&LOCK WASHER
-14	211-0871-XX			4	SCREW,MACHINE:M3X6MM L,PNH,STL,MFZN-C,CROSS REC W/FLAT&LOCK WASHER
-15	407-4988-XX			1	BRACKET,STOPPER:CPU BOARD
-16	351-A165-XX			1	GUIDE,CKT BD:NYLON
-17	407-4987-XX			1	BRACKET,SUPPORT:MEMORY
-18	211-A171-XX			1	SCREW,MACHINE:M3X12MM L,PNH,STL,ZN-CM1,W/K-PLAIN&SPLIT WASHER
-19	211-0871-XX			1	SCREW,MACHINE:M3X6MM L,PNH,STL,MFZN-C,CROSS REC W/FLAT&LOCK WASHER
-20	407-A690-XX			1	BRACKET;STOPPER,PC BOARD
-21	119-7135-XX			1	CPU CARD ASSAY;PROX-1643 ICP-1.2G W/A63-UNIT,BIOS INSTALLED
-22	211-1028-XX			2	SCREW,MACHINE:M4X8MM L,PNH,STL,ZN-C PL,CROSS REC,W/FLAT&LOCK WASHER
-23	407-A683-XX			1	BRACKET,SHIELD:PC BOARD
-24	348-1276-XX			32 CM	GASKET,SHIELD:CONDUCTIVE FOAM STRIP,3.3MM X 4.8MM,W/ADHESIVE TAPE,1M L
-25	174-B983-XX			1	CA ASSY,SP,ELEC:30,30AWG,20CM,W/HLDR,W SHIELD, DF19-30S-1C CONN
-26	671-5849-XX			1	CIRCUIT BD ASSY:A50 MOTHER,389-B165-XX WIRED
-27	211-0871-XX			25	SCREW,MACHINE:M3X12MM L,PNH,STL,ZN-CM1,W/K-PLAIN&SPLIT WASHER
-28	343-1644-XX			2	CLAMP,CABLE:CLIP LOCKING WIRE,NYLON



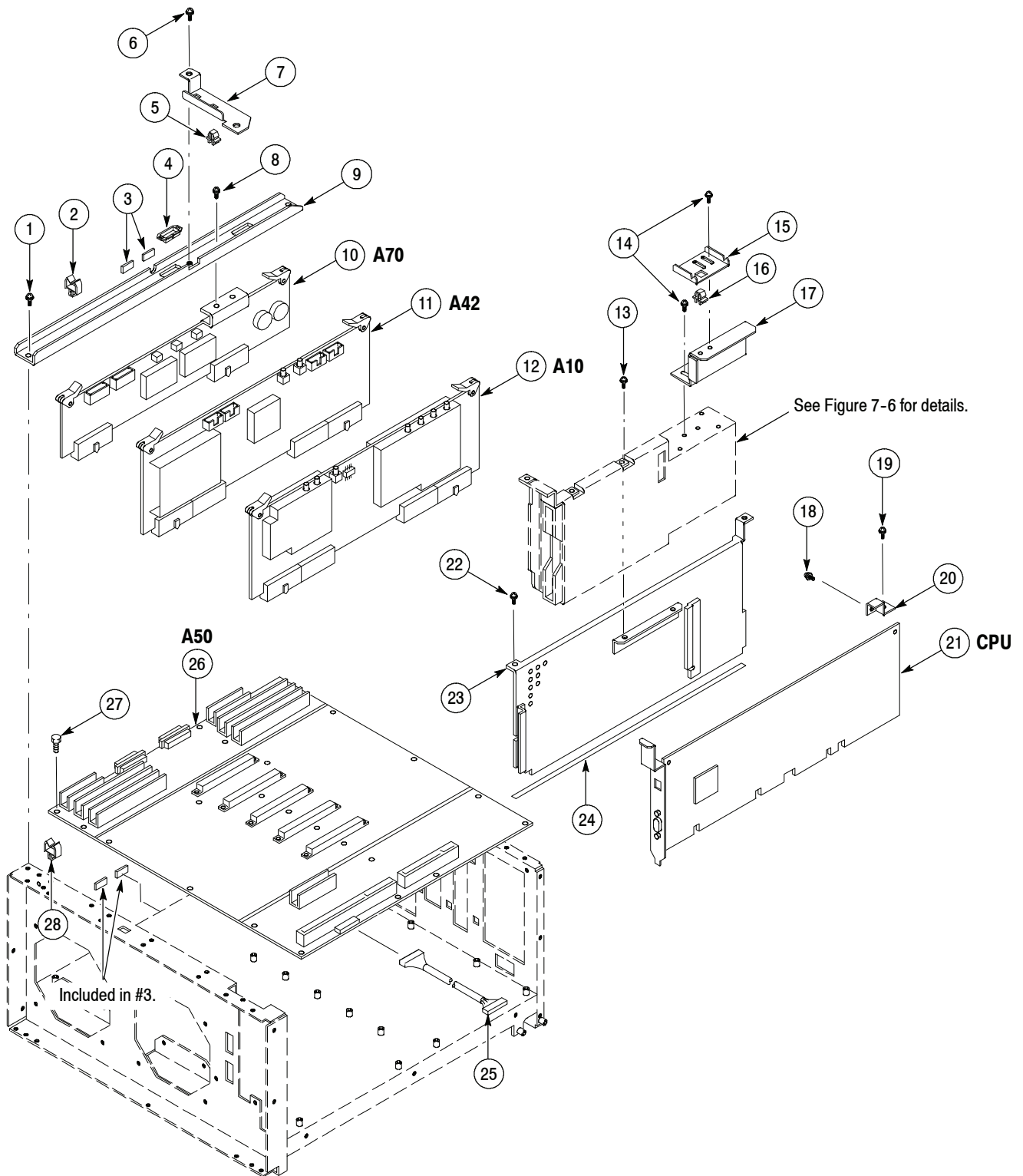


Figure 7-5: Motherboard and daughterboards

**Replaceable parts list**

Fig. & index number	Tektronix part number	Serial No. effective	Serial No. discont'd	Qty	Name & description
7-6					
-1	065-0776-XX			1	DISK DRIVE ASSY;PRG 119-6832-XX;RSA3408B W/PACKAGING
-2	348-A144-XX			4	DUMPER
-3	129-A593-XX			4	SUPPORT:PS-308
-4	210-A014-XX			4	WASHER,PLAIN:#6,BRS NI PL
-5	210-0949-XX			4	WASHER,FLAT:0.141IDX0.5ODX0.062,BRS NP
-6	211-A170-XX			4	SCREW,MACHINE:M3X15MM L,PNH,STL,ZN-CM1,W/M-PLAIN&SPLIT WASHER
-7	348-1656-XX			2 CM	GASKET,SHIELD:CONDUCTIVE URETHAN FOAM,W/ADHESIVE TAPE BACKSIDE
-8	211-A275-XX			4	SCREW,MACHINE:M2.6X5MM L,PNH,STL,ZN-C,CROSS REC,W/K-PLAIN& LOCK WASHER
-9	407-A733-XX			4	BRACKET,STOPPER:GASKET,SIDE,R,AL
-10	348-1472-XX			7 CM	GASKET:ELEC,SHIELD GASKET,CONDUCTIVE FOAMSTRIP,W/ADHESIVE TAPE
-11	119-5953-XX			1	FLOPPY DISK DRIVE:3.5INCH 3-MODE W/INTERFACE
-12	671-5852-XX			1	CIRCUIT BD ASSY:A62 FRONT-CON,3893564XX WIRED
-13	211-0751-XX			4	SCREW,MACHINE:M3X8MM L,PNH,STL,ZN-C,CROSS REC,W/FLAT& LOCK WASHERS
-14	407-A731-XX			1	BRACKET,SHIELD:A62,AL
-15	348-1788-XX			8 CM	GASKET,SHIELD:CONDUCTIVE URETHAN FOAM,3MM X 4MM, W/CONDUCTIVE ADHESIVE
-16	348-1656-XX			4 CM	GASKET,SHIELD:CONDUCTIVE URETHAN FOAM,W/ADHESIVE TAPE BACKSIDE
-17	174-4940-XX			1	CA ASSY,SP,ELEC:2,26AWG,15CM L,RIBBON,W/HLDR FCN-723J002/1&PHR-2
-18	174-4941-XX			1	CA ASSY,SP,ELEC:20,28AWG,20CM L,TWIST PAIR WIRE,MORE THAN 25 TWIST,W/HLDR BOTH DF13-20DS-1.25C
-19	174-4938-XX			1	CA ASSY,SP,ELEC: 10,26AWG,10CM L,W/HOLDER,HLDR 10P TO 10P
-20	174-B987-XX			1	CA ASSY,SP,ELEC:10,28AWG,7CM L,FLAT,W/TAG,2.54MM
-21	174-B986-XX			1	CA ASSY,SP,ELEC:34,28AWG,13CM L,FLAT,W/TAG,2.54MM
-22	174-4939-XX			1	CA ASSY,SP,ELEC:3,26AWG,15CM L,W/HLDR FCN-723J003/1&PHR-3
-23	174-4912-XX			1	CA ASSY,SP,ELEC:FLAT,40 COND,28AWG,30CM L,2X20 HEADER CONN BOTH, KEY POSITION #20
-24	174-B993-XX			1	CA ASSY,SP,ELEC;44,28AWG,8CM L,2MM PITCH,NORMAL ASSY
-25	174-B991-XX			1	CA ASSY,SP,ELEC:26,1MM PITCH,8CM L,FFC,REVERSE

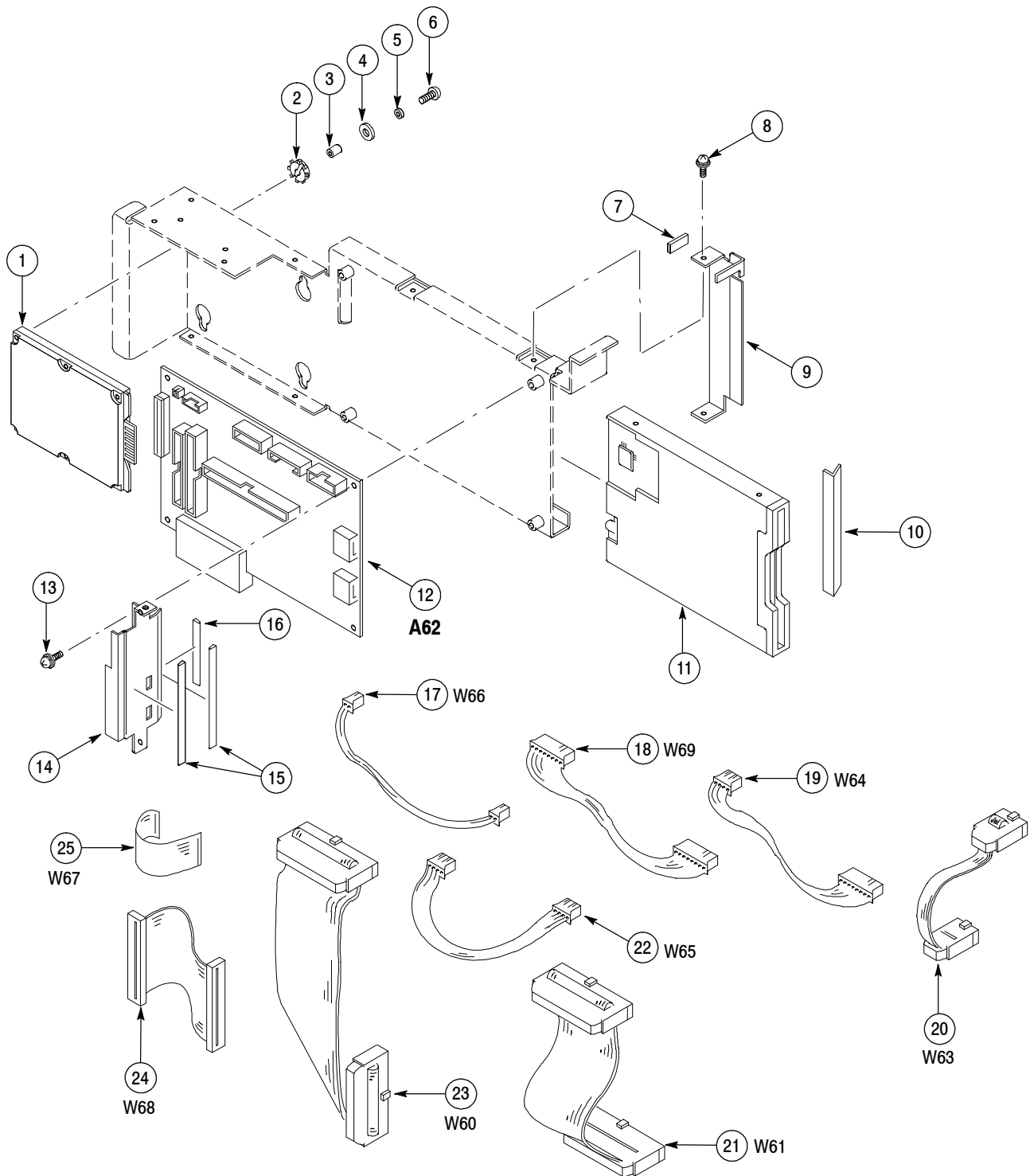


Figure 7-6: Disk modules

**Replaceable parts list**

Fig. & index number	Tektronix part number	Serial No. effective	Serial No. discont'd	Qty	Name & description
7-7	<b>OPTION 06 ONLY</b>				
-1	211-A170-XX			4	SCREW,MACHINE;M3X15MM L,PNH,STL,ZN-CM1,W/M-PLAIN&SPLIT WASHER
-2	210-0949-XX			4	WASHER,FLAT;0.141 ID X 0.5 OD X 0.062,BRS NP
-3	210-A014-XX			4	WASHER,PLAIN;#6,BRS NI PL
-4	129-A593-XX			4	SUPPORT;PS-308
-5	348-A144-XX			4	DUMPER
-6	407-5104-XX			1	BRACKET,FDD&HDD;INSIDE
-7	671-6095-XX			1	CIRCUIT BD ASSY;A65 HDD CONNECTION LOWER,389-3793-XX WIRED
-8	214-5084-XX			2	PIN,EXT/HDD CONNECTOR BOARD
-9	220-0269-XX			2	NUT,LOCATE PIN
-10	211-0497-XX			2	SCREW,MACHINE;M3 X 5MM,PNH,STL ZN PL
-11	210-A015-XX			2	WASHER,LOCK;#3,SPLIT,STL MFZN-C;AWG400
-12	407-5115-XX			1	BRACKET,STOPPER,HDD CON-BD,RIGHT
-13	407-5116-XX			1	BRACKET,STOPPER,HDD CON-BD,LEFT
-14	198-5868-XX			1	WIRE KIT,ELEC:FLAT&RIBBON W/A64,BRACKET,SLEEVING;OPT06
-15	407-5105-XX			1	BRACKET,FDD&HDD;OUTSIDE,BACK
-16	348-A143-XX			7	GASKET,SHIELD:FINGER TYPE,15.2MMW X 5.6MMH X 7.2MML
-17	211-0751-XX			2	SCREW,ASSY,WSHR;M3 X 8,PAN,W/FLAT&LOCK WASHER
-18	407-5114-XX			1	BRACKET,CABLE MOUNT,HDD
-19	211-1028-XX			2	SCREW,MACHINE;M4 X 8MML,PNH,STL,MFZN-C,CROSS REC W/FLAT&LOCK WASHER
-20	407-5106-XX			1	BRACKET,FDD&HDD;OUTSIDE,FRONT
-21	252-0719-XX			1	PLASTIC SH,CHAN;NULON,0.047 X 0.063 THK,5.7CM LENGTH
-22	252-0719-XX			1	PLASTIC SH,CHAN;NULON,0.047 X 0.063 THK,6.3CM LENGTH
-23	211-0941-XX			6	SCREW MACHINE;M3 X 6MM L,FLH,STL ZN PL,CROSS REC
-24	351-A169-XX			2	GUIDE,CKT BD;NYLON BLACK,19MM L
-25	407-5103-XX			1	BRACKET,FDD&HDD
-26	351-A168-XX			1	GUIDE,CKT BD;NYLON BLACK,100MM L
-27	407-5102-XX			1	BRACKET,SHIELD:PC BOARD

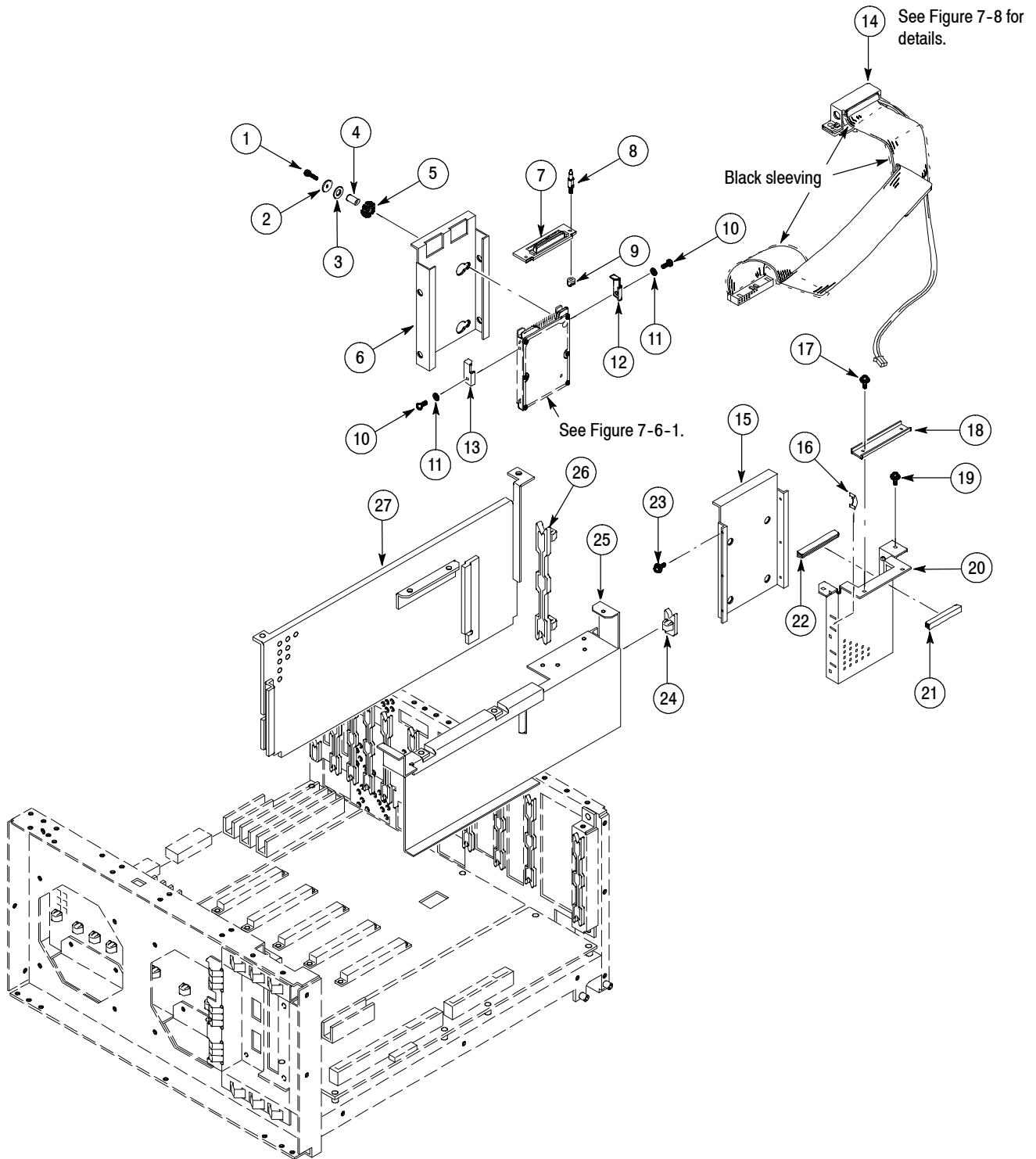


Figure 7-7: Disk modules (Option 06) - 1

**Replaceable parts list**

<b>Fig. &amp; index number</b>	<b>Tektronix part number</b>	<b>Serial No. effective</b>	<b>Serial No. discont'd</b>	<b>Qty</b>	<b>Name &amp; description</b>
7-8	<b>OPTION 06 ONLY</b>				
-1	407-5117-XX			1	BRACKET,CONNECTOR HANDLE,HDD
-2	252-0719-XX			1	PLASTIC SH,CHAN;NULON,0.047X0.063 THK,1M L
-3	174-5198-XX			1	CA ASSY,SP,ELEC;26AWG,40CM,RIBBON,JST 2P TO JST 2P
-4	162-0927-XX			10 CM	INSUL,SLEEVING,ELECTRICAL,HEAT SHRINK,1.7ID,POLYOLEFIN,BLACK,0.019WALL THICKNESS,SAFETY CONTROLLED
-5	174-5203-XX			1	CA ASSY,SP,ELEC:FLAT,40 COND,28AWG,45CM L,2X20 HEADER CONN BOTH, KEY POSITION #20
-6	162-0927-XX			10 CM	INSUL,SLEEVING,ELECTRICAL,HEAT SHRINK,1.7ID,POLYOLEFIN,BLACK,0.019WALL THICKNESS,SAFETY CONTROLLED
-7	162-0927-XX			2.5 CM	INSUL,SLEEVING,ELECTRICAL,HEAT SHRINK,1.7ID,POLYOLEFIN,BLACK,0.019WALL THICKNESS,SAFETY CONTROLLED
-8	211-A151-XX			2	SCREW,MACHINE;M2.5X6MML,PNH,STLZN-C,CROSS REC,W/SMALL-PLAIN& SPLIT WSHR
-9	129-1623-XX			2	SPACER,POST:5.0MM L,M2.6 THRU,DELTRIN,5MM HEX
-10	671-6094-XX			1	CIRCUIT BD ASSY;A64 HDD CONNECTION UPPER,389-3792-00 WIRED
-11	211-A152-XX			2	SCREW,MACHINE;M2.5X8MM L,STL,PNH,NI PL,CROSS RESS,W/PLAIN&SPLIT WASHER

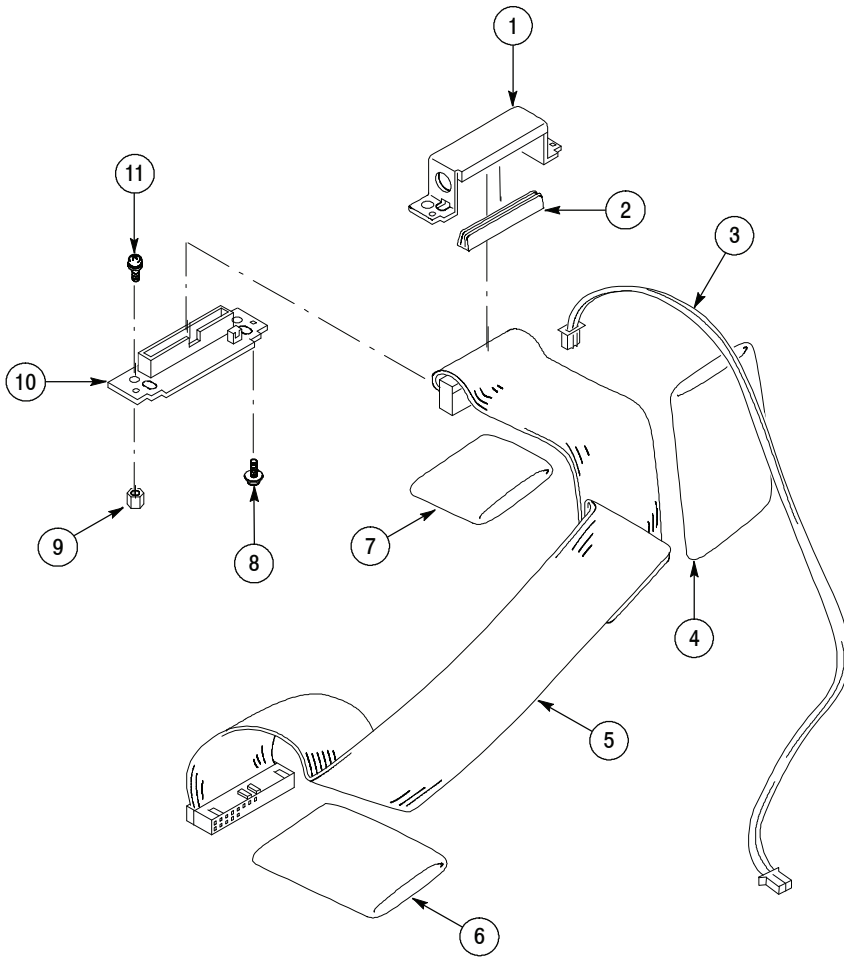


Figure 7-8: Disk modules (Option 06) - 2

**Replaceable parts list**

Fig. & index number	Tektronix part number	Serial No. effective	Serial No. discont'd	Qty	Name & description
7-9					
-1	211-0871-XX			8	SCREW,MACHINE:M3X6MM L,PNH,STL,MFZN-C,CROSS REC W/FLAT&LOCK WASHER
-2	119-B128-XX			1	POWER SUPPLY:IN 85-265VAC,47-63HZ,OUT 5V15A,±12V/15V4A,24V2A, W/REMOTE CONTROL
-3	119-B127-XX			1	POWER SUPPLY:IN 85-265VAC,47-63HZ,OUT 5V15A,±12V/15V4A,3.3V10A, W/REMOTE CONTROL
-4	342-A169-XX			1	INSULATOR:POWER SUPPLY
-5	211-0871-XX			4	SCREW,MACHINE:M3X6MM L,PNH,STL,MFZN-C,CROSS REC W/FLAT&LOCK WASHER
-6	407-A702-XX			1	BRACKET,SHIELD:POWER SUPPLY
-7	174-B997-XX			2	CA ASSY,SP,ELEC:2,26AWG,7CM L,RIBBON,W/HLDR, ON/OFF
-8	174-B999-XX			2	CA ASSY,SP,ELEC:6,18AWG,7CM L,W/HOLDER,HLDR 6P TO 8P
-9	174-C001-XX			2	CA ASSY,SP,ELEC:7,18AWG,7CM L,W/HOLDER,HLDR 8P TO 3P+6P
-10	174-C002-XX			1	CA ASSY,SP,ELEC:8,26AWG,12CM L,RIBBON,W/HOLDER
-11	343-1644-XX			2	CLAMP,CABLE:CLIP LOCKING WIRE,NYLON
-12	679-5854-XX			1	CIRCUIT BD ASSY:A71 AC POWER,389-3621-XX WIRED
-13	211-0871-XX			2	SCREW,MACHINE:M3X6MM L,PNH,STL,MFZN-C,CROSS REC W/FLAT&LOCK WASHER
-14	211-0871-XX			4	SCREW,MACHINE:M3X6MM L,PNH,STL,MFZN-C,CROSS REC W/FLAT&LOCK WASHER
-15	119-B058-XX			1	POWER SUPPLY:IN 85-264VAC,OUT +5V/2A,+15V/0.3A, -15V/0.2A,WITHOUT COVER
-16	260-2740-XX			1	SWITCH,ROCKER:DPST250VAC,10A W/I-O MKD
-17	195-3990-XX			1	LEAD,ELECTRICAL:AWG18,100MM L,5-4,W/LUG
-18	211-1028-XX			1	SCREW,MACHINE:M4X8MM L,PNH,STL,ZN-C PL,CROSS REC,W/FLAT&LOCK WASHER
-19	119-2683-XX			1	FILTER,RFI:6A,250VAC,50/60HZ,LEAK=0.4MA,DCRES=0.1OHM
-20	211-1040-XX			2	SCREW,MACHINE:M3X8MM L,FLH,STL,ZN-C,CROSS REC
-21	174-C003-XX			1	CA ASSY,SP,ELEC:2,18AWG,10CM L,W/FASTON BOTH ENDS,W/TUBE
-22	174-C005-XX			1	CA ASSY,SP,ELEC:2,18AWG,15CM L,W/HOLDER,HLDR 5P TO 3P
-23	174-C004-XX			1	CA ASSY,SP,ELEC:2,18AWG,13CM L,W/FASTON TO HLDR 3P,W/TUBE
-24	174-C005-XX			1	CA ASSY,SP,ELEC:2,18AWG,15CM L,W/HOLDER,HLDR 5P TO 3P
-25	174-C006-XX			1	CA ASSY,SP,ELEC:2,18AWG,9CM L,W/HOLDER,HLDR 5P TO 3P



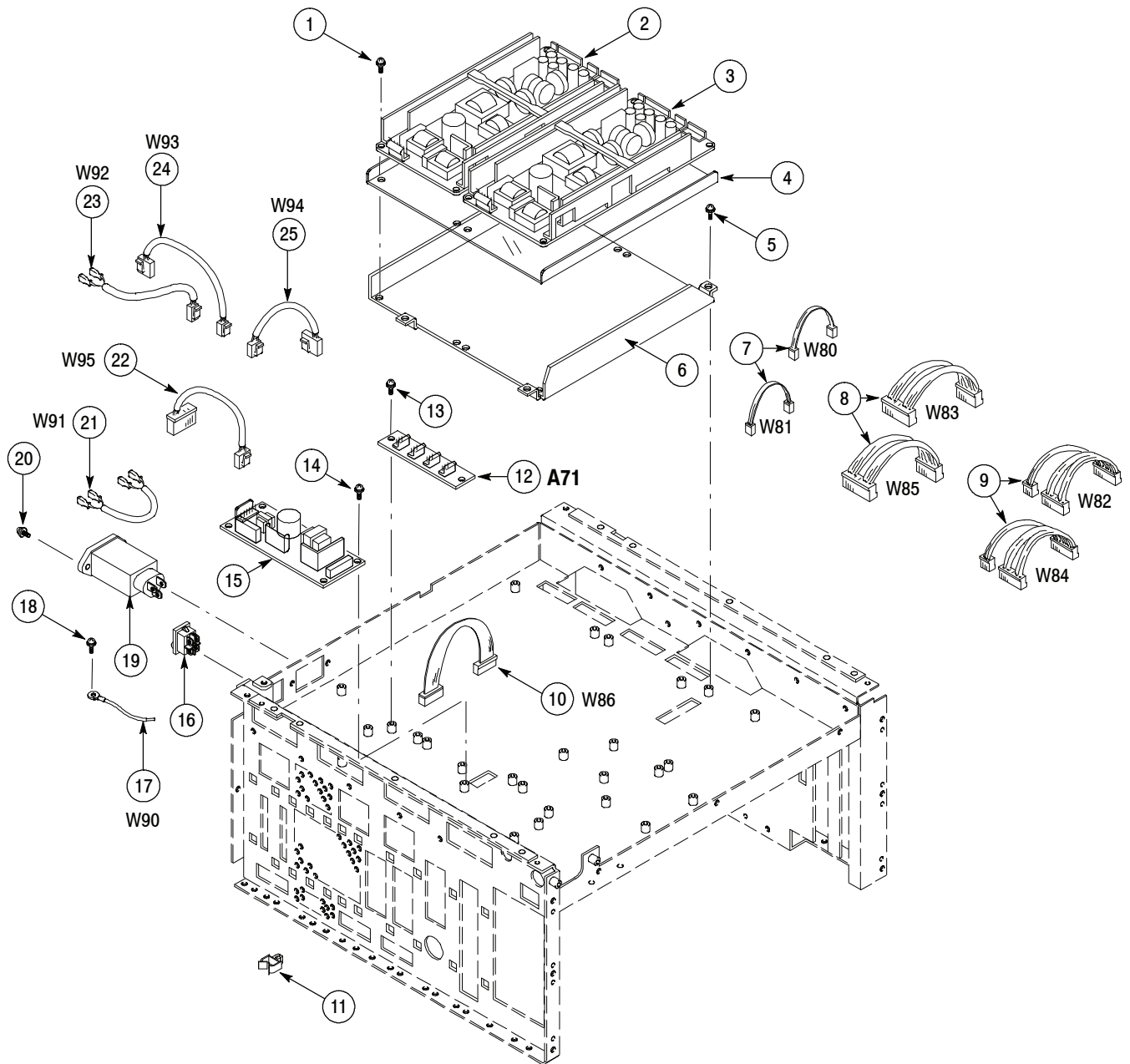


Figure 7-9: Bottom modules - Power supply

**Replaceable parts list**

Fig. & index number	Tektronix part number	Serial No. effective	Serial No. discont'd	Qty	Name & description
7-10					
-1	174-C038-XX			1	CABLE ASSY,RF:SEMI-RIGID,W121,ATT TO SW
-2	211-A273-XX			4	SCREW,MACHINE:M2.5X18 L,PNH,STL,NI PL,CROSS REC,W/FLAT(KOGATA)& LOCK WASHER
-3	148-A079-XX			2	RELAY,COAX:COIL 12V,DC-18GHZ(IL<0.5DB),VSWR 1.5,SMA CONN
-4	174-C040-XX			1	CABLE ASSY,RF:SEMI-RIGID,W123,SW TO YTF
-5	211-0871-XX			2	SCREW,MACHINE:M3X6MM L,PNH,STL,MFZN-C,CROSS REC W/FLAT&LOCK WASHER
-6	119-A960-XX			2	ATTENUATOR,FXD:3DB,DC-8GHZ,50 OHM,1W,SMA CONN
-7	679-5867-XX			1	CIRCUIT BD ASSY;A150 YTF I/F,389-3634-XX WIRED
-8	119-7080-XX			1	YTF UNIT;YIG FILTER,3.5-8GHZ,6STAGE,60MHZ BW,6DB LOSS,20MHZ/MA, 30.5 SQ X 14.2H,SMA
-9	386-7441-XX			1	PLATE,YTF;MECHANICAL PART,AL,55.4 X 33.4 X T1.6 MM,FOR SPACER
-10	211-0661-XX			4	SCREW,MACHINE;4-40 X 0.25,PNH,STL,CD PL,POZ,SEMS
-11	407-5030-XX			1	BRACKET,RF1,AL
-12	211-0871-XX			5	SCREW,MACHINE:M3X6MM L,PNH,STL,MFZN-C,CROSS REC W/FLAT&LOCK WASHER
-13	174-5059-XX			1	CA ASSY,RF:SEMI-RIGID,50OHM,SX-36,SMA-P/SMA-P,SW TO ATT
-14	174-B944-XX			1	CABLE,RF:SEMI-RIGID,W101,N-CON TO SW
-15	211-0871-XX			6	SCREW,MACHINE:M3X6MM L,PNH,STL,MFZN-C,CROSS REC W/FLAT&LOCK WASHER
-16	174-B811-XX			1	CABLE ASSY,RF;50 OHM,COAX,1.5D-2W,SMB-SMB/L,55CM L,W17
-17	174-C013-XX			1	CABLE ASSY,RF;50 OHM,COAX.25CM L,1.5D-QEW,SMB-L TO SMA-L
-18	174-5058-XX			2	CA ASSY SP,ELEC;SW TO A100
-19	174-C009-XX			1	CA ASSY,SP,ELEC;5,26AWG,35CM L,RIBBON,W/HLDR
-20	679-5866-XX			1	CIRCUIT BD ASSY;A100 CAL GENERATOR,389-3633-XX WIRED
-21	119-7079-XX			1	ATTENUATOR;MODULE,PROGRAMMABLE STEP,4 STAGE,0-75DB,5DB STEP,DC-8GHZ, 50 OHM,COIL,24V,0.2A;P-AT-7(8-75)A
-22	211-0871-XX			6	SCREW,MACHINE:M3X6MM L,PNH,STL,MFZN-C,CROSS REC W/FLAT&LOCK WASHER
-23	386-7434-XX			1	PLATE,ATT;AL
-24	348-0949-XX			1	GROMMET,PLASTIC:NYLON,BLACK,RING,15MM ID
-25	174-B949-XX			1	CA ASSY,RF:50OHM,SEMI-RIGID,W106,FINE ATT TO SW
-26	174-C041-XX			1	CABLE ASSY,RF:SEMI-RIGID,W124,SW TO A310

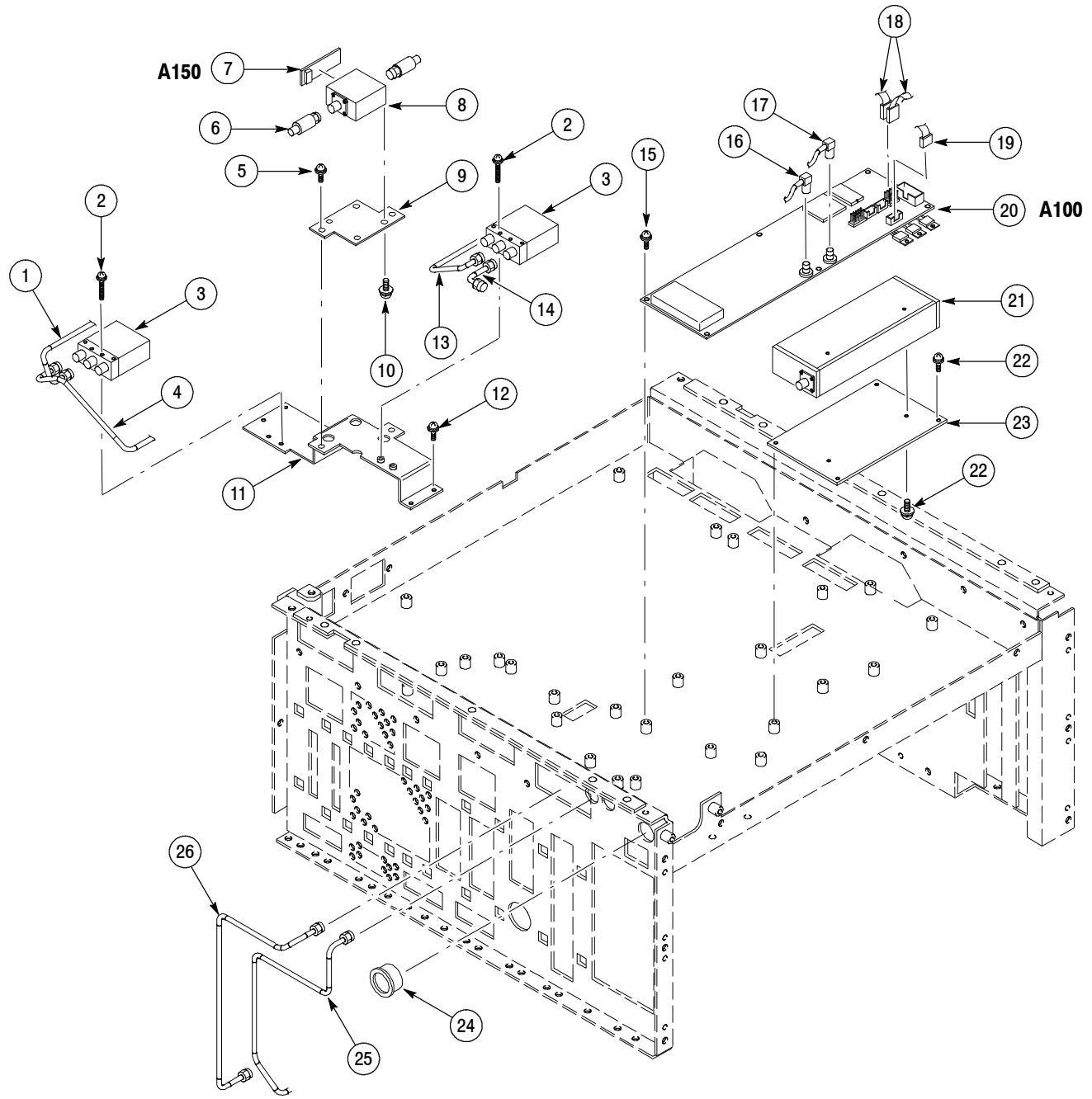


Figure 7-10: Bottom modules - RF1

**Replaceable parts list**

Fig. & index number	Tektronix part number	Serial No. effective	Serial No. discontinued	Qty	Name & description
7-11					
-1	211-1028-XX			2	SCREW,MACHINE:M4X8MM L,PNH,STL,ZN-C PL,CROSS REC W/FLAT&LOCK WASHER
-2	348-1761-XX			2	GASKET SHIELD:CONDUCTIVE URETHAN FOAM,2MM X 4MM,140 MM L,W/ADHESIVE
-3	174-B994-XX			1	CA ASSY,SP,ELEC:24,AWG28,20CM L,DDK 57FE TO 3M, 2.54MM,GPIB
-4	220-0194-XX			1	NUT,PLATE:STL
-5	174-B974-XX			2	CABLE ASSY,RF; 50 OHM,COAX,12CM L,1.5D-QEW,SMB-L TO SMB-L
-6	174-B980-XX			3	CABLE ASSY,RF:50OHM,COAX,17CM L,1.5D-QEW,SMB-L TO SMB-L (QTY = 7 FOR OPTION 03)
-7	348-1762-XX			4	GASKET SHIELD:CONDUCTIVE URETHAN FOAM,2MM X 4MM,180 MM L,W/ADHESIVE
-8	211-A151-XX			16	SCREW,MACHINE:M2.5X6MM L,PNH,STL,ZN-C,CROSS REC,W/KOGATA-PLAIN& SPLIT WSHR (QTY = 32 FOR OPTION 03)
-9	131-6607-XX			4	CONN,RF:BNC/F TO SMB/F,50OHM,PANEL MOUNT (QTY = 8 FOR OPTION 03)
-10	333-A445-XX			1	PANEL,REAR:AL
-11	407-A679-XX			1	BRACKET:BOARD GUIDE
-12	351-A169-XX			2	GUIDE,CKT BD:NYLON BLACK,19MM L
-13	351-A168-XX			8	GUIDE,CKT BD:NYLON BLACK,100MM L
-14	407-A680-XX			1	BRACKET:GUIDE,PC BOARD
-15	351-A168-XX			10	GUIDE,CKT BD:NYLON BLACK,100MM L
-16	351-A169-XX			2	GUIDE,CKT BD:NYLON BLACK,19MM L
-17	211-1028-XX			2	SCREW,MACHINE:M4X8MM L,PNH,STL,ZN-C PL,CROSS REC W/FLAT&LOCK WASHER
-18	441-A293-XX			1	CHASSIS,MAIN
-19	211-1028-XX			10	SCREW,MACHINE:M4X8MM L,PNH,STL,ZN-C PL,CROSS REC W/FLAT&LOCK WASHER

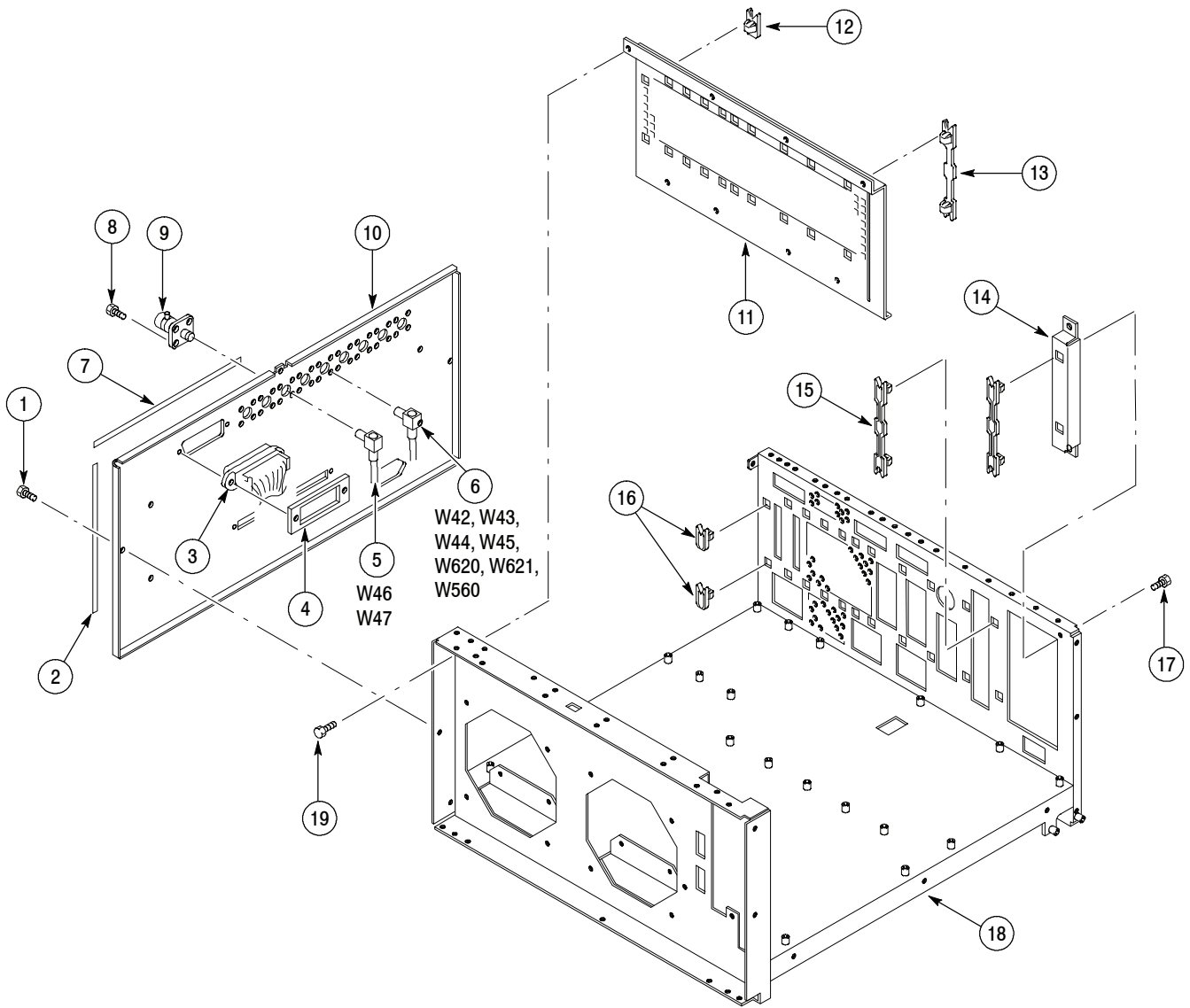


Figure 7-11: Chassis modules - 1

**Replaceable parts list**

Fig. & index number	Tektronix part number	Serial No. effective	Serial No. discont'd	Qty	Name & description
7-12					
-1	211-A004-XX			4	SCREW,MACHINE:M4X10MM L,PNH,STL,ZN-C,CROSS REC,W/FLAT&LOCK WASHER
-2	211-0871-XX			2	SCREW,MACHINE:M3X6MM L,PNH,STL,MFZN-C,CROSS REC,W/FLAT&LOCK WASHER
-3	407-4990-XX			1	BRACKET,SHIELD:SIDE,AL
-4	348-A143-XX			9	GASKET,SHIELD:FINGER TYPE,15.2MM W X 5.6MM H X 7.2MM L
-5	407-A681-XX			1	BRACKET:SIDE PANEL
-6	348-1644-XX			6	SHLD GASKET,ELEC:CONDUCTIVE URETHANE FOAM W/ADHESIVE TAPE
-7	407-A732-XX			1	BRACKET,STOPPER:GASKET,UPPER,AL
-8	213-A248-XX			4	SCREW,MACHINE:M4X35 L,PNH,STL,ZN-C,CROSS REC, W/FLAT(MIGAKI)& LOCK WASHER
-9	119-B161-XX			2	FAN,TUBEAXIAL:12VDC,2W,2000RPM,31DB,W/CONNECTOR
-10	348-A158-XX			2	SHLD GSKT ELEC:CONDUCTIVE URETHANE FOAM,1X4 W/ADHESIVE,10.5CM
-11	348-A158-XX			2	SHLD GSKT ELEC:CONDUCTIVE URETHANE FOAM,1X4 W/ADHESIVE,10CM
-12	348-A143-XX			6	GASKET,SHIELD:FINGER TYPE,15.2MM W X 5.6MM H X 7.2MM L

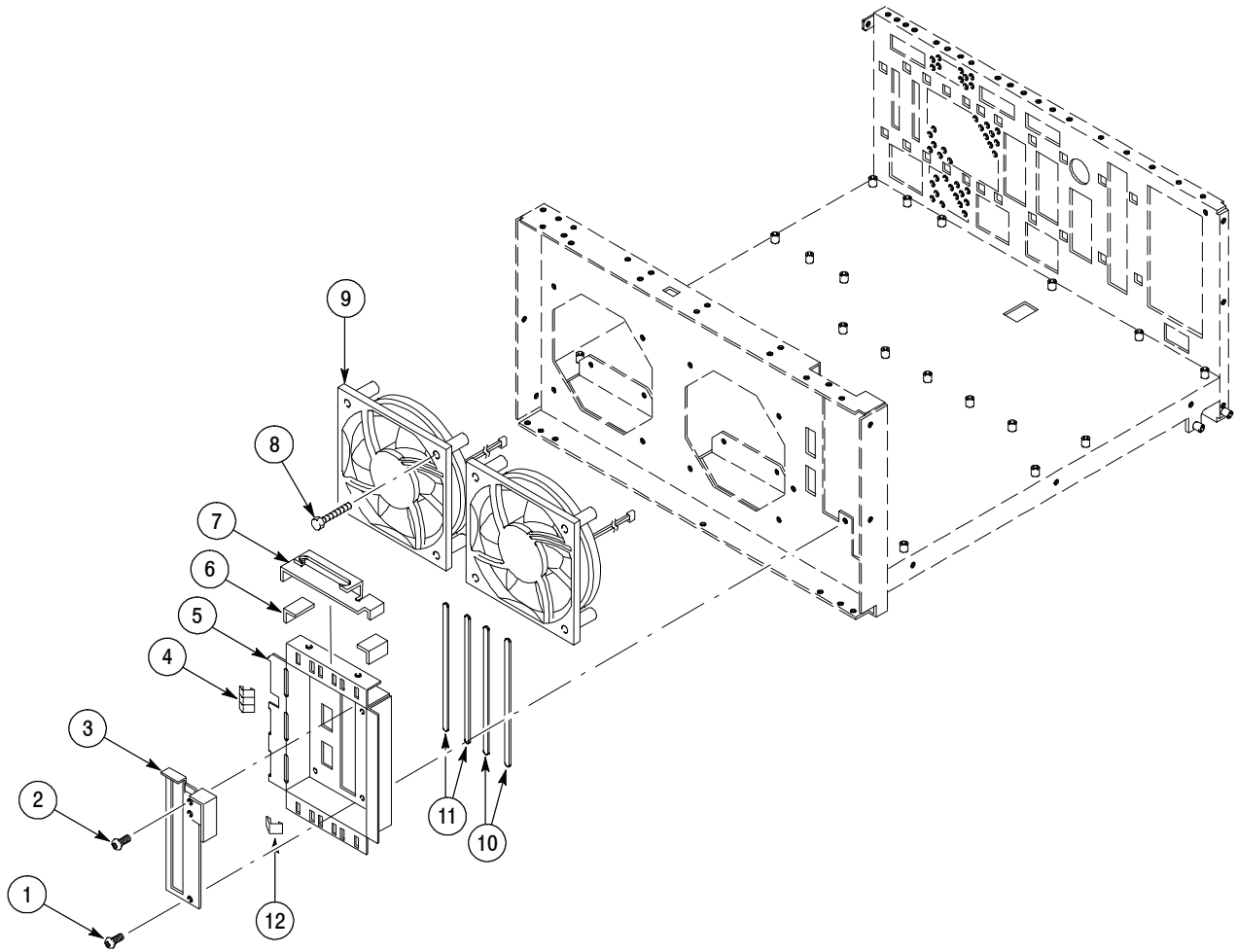


Figure 7-12: Chassis modules - 2

**Replaceable parts list**

<b>Fig. &amp; index number</b>	<b>Tektronix part number</b>	<b>Serial No. effective</b>	<b>Serial No. discont'd</b>	<b>Qty</b>	<b>Name &amp; description</b>
7-13	<b>RACKMOUNT</b>				
-1	333-4538-XX			1	PANEL,FRONT BLANK PANEL FOR RACK
-2	407-5226-XX			1	BRACKET HOLDING CABLE
-3	407-5223-XX			1	BRACKET SLIDE GUIDE LEFT
-4	407-5224-XX			1	BRACKET SLIDE GUIDE RIGHT
-5	367-0525-XX			2	HANDLE CARRYING
-6	351-0313-XX			1	GUIDE RACK MOUNT
-7	351-0241-XX			1	SLIDE DWR EXT
-8	211-A039-XX			8	SCREW M4X14MM,SEMS
-9	212-0518-XX			15	SCREW 10-32X0.312INCH,PNH
-10	212-0509-XX			6	SCREW 10-32X0.625INCH,PNH
-11	212-0574-XX			4	SCREW 10-32X0.438INCH,FLH
-12	-----			12	SCREW 10-32X0.354INCH,TRUSS (Included in the slide assembly (Figure index 10-13-7))
-13	335-0391-XX			1	MARKER,IDENT;SAFETY LABEL



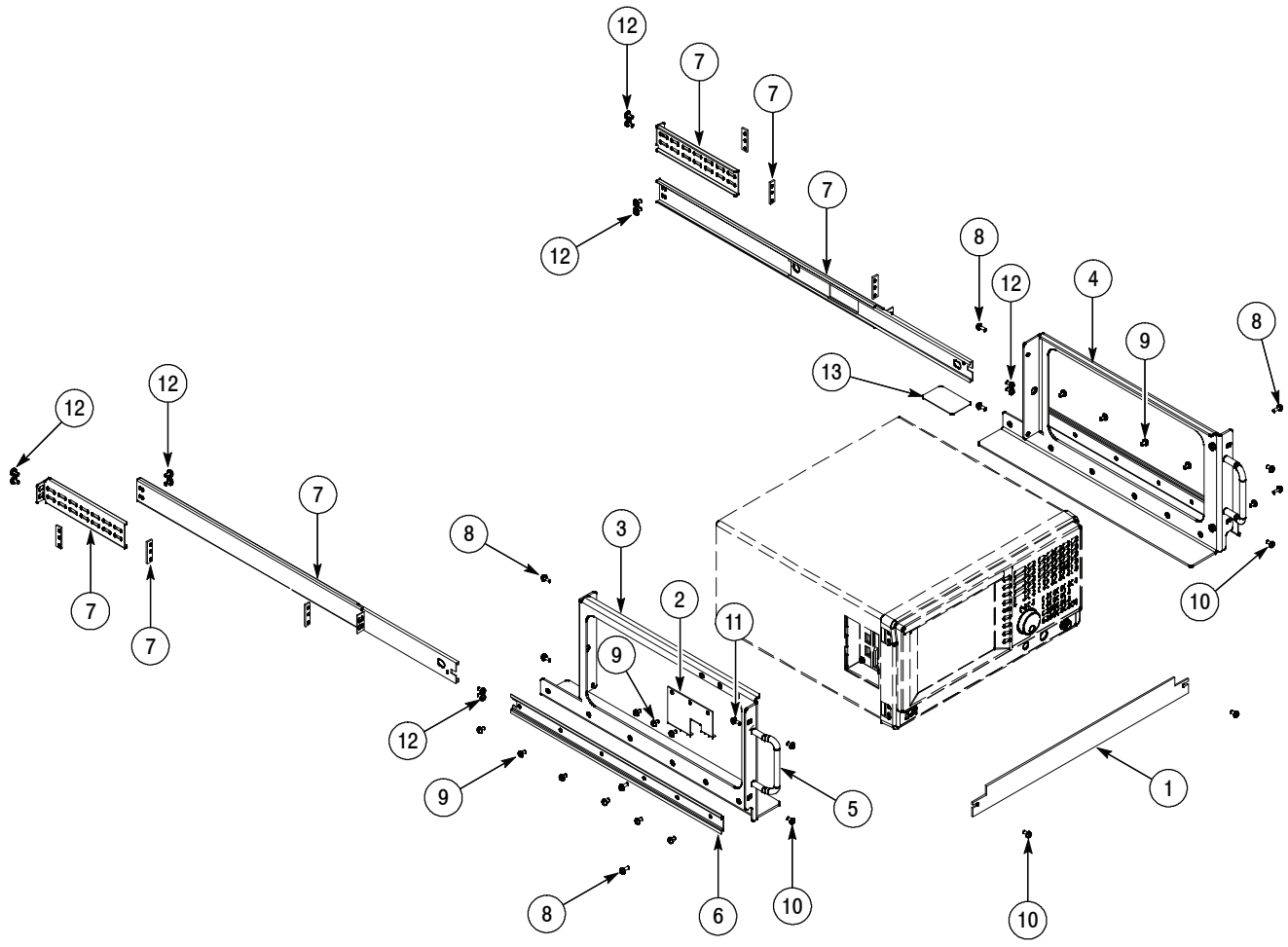


Figure 7-13: Rackmount

**Replaceable parts list**

Fig. & index number	Tektronix part number	Serial No. effective	Serial No. discontinued	Qty	Name & description
<b>STANDARD ACCESSORIES</b>					
	-----			1	CABLE ASSY,PWR;3,18 AWG,92.0 L,TAN,60 DEGREE C,MC-6-3C/G X RIGHT ANGLE BME,10A/125V;SAFETY CONTROLLED(STANDARD CABLE - SEE FIG 7-1-21)
	161-0104-06			1	CABLE ASSY,PWR;3,1.0MM SQ,250V/10A,2.5 METER,RTANG,IEC320,RCPT,EUROPEAN, SAFETY CONTROLLED(OPTION A1 - EUROPEAN)
	161-0104-07			1	CABLE ASSY,PWR;3,1.0MM SQ,250V/10A,2.5 METER,RTANG,IEC320,RCPT X 13A,FUSED, UK PLUG,(13A FUSE),UNITED KINGDOM,SAFETY CONTROLLED (OPTION A2 - UNITED KINGDOM)
	161-0104-05			1	CABLE ASSY,PWR;3,1.0MM SQ,250V/10A,2.5 METER,RTANG,IEC320,RCPT,AUSTRALIA, SAFETY CONTROLLED(OPTION A3 - AUSTRALIAN)
	161-0104-08			1	CABLE ASSY,PWR;3,18 AWG,250/10A,98.0 L,RTANG,IEC320,RCPT X STR,NEMA 6-15P, US,SAFETY CONTROLLED(OPTION A4 - NORTH AMERICAN)
	161-0167-00			1	CABLE ASSY,PWR;3,0.75MM SQ,250V/10A,2.5 METER,RTANG,IEC320,RCPT,SWISS, NO CORD GRIP,SAFETY CONTROLLED(OPTION A5 - SWITZERLAND)
	161-A005-00			1	CABLE ASSY,PWR;JAPANESE T MARK,SAFETY CONTROLLED(OPTION A6 - JAPANESE)
	161-0306-00			1	CABLE ASSY,PWR;3,1.0MM SQ,250V/10A,2.5 METER,RTANG,IEC320,RCPT, 3C CERTIFICATION,CHINA;SAFETY CONTROLLED(OPTION A10 - CHINA)
	119-B145-XX			1	POINTER ASSY:OPTICAL MOUSE,USB
	119-B146-XX			1	KEYBOARD:USB
	103-0045-XX			1	ADPTR,N,ELEC:FEMALE BNC TO MALE N
	071-2364-XX			1	MANUAL,TECH:USER,ENGLISH
	071-2382-XX			1	MANUAL,TECH:PROGRAMMER,ENGLISH,PDF ONLY, INCLUDED ON 063-4089-XX SOFTWARE CD
<b>OPTIONAL ACCESSORIES</b>					
	071-2366-XX			1	MANUAL,TECH:SERVICE,ENGLISH
	077-0113-XX			1	MANUAL,TECH:TECHNICAL REFERENCE;PDF,ENGLISH
	063-3680-XX			1	SOFTWARE PKG:3.5FD,AWG520 SETUP DISK



