

# TEK-USB-488 GPIB to USB Adapter User Manual



071-1839-02

**Tektronix**



**TEK-USB-488  
GPIB to USB Adapter  
User Manual**

Copyright © Tektronix. All rights reserved. Licensed software products are owned by Tektronix or its subsidiaries or suppliers, and are protected by national copyright laws and international treaty provisions.

Tektronix products are covered by U.S. and foreign patents, issued and pending. Information in this publication supersedes that in all previously published material. Specifications and price change privileges reserved.

TEKTRONIX and TEK are registered trademarks of Tektronix, Inc.

### **Contacting Tektronix**

Tektronix, Inc.  
14200 SW Karl Braun Drive  
P.O. Box 500  
Beaverton, OR 97077  
USA

For product information, sales, service, and technical support:

- In North America, call 1-800-833-9200.
- Worldwide, visit [www.tektronix.com](http://www.tektronix.com) to find contacts in your area.

# Table of Contents

Warranty.....	1
General Safety Summary .....	3
Compliance Information.....	5
EMC Compliance .....	5
Safety Compliance .....	6
Environmental Considerations .....	8
Preface.....	9
Key Features.....	9
Installation .....	10
Standard Accessories .....	10
Optional Accessories.....	10
Controls and Connectors.....	11
Connecting Power.....	12
Connecting Cables .....	14
Setting the GPIB Address .....	15
Updating Firmware.....	17
Mounting the Adapter.....	19
Troubleshooting .....	20
Specifications .....	23
保証.....	25
安全にご使用いただくために .....	27
適合性に関する情報 .....	29
EMC .....	29
安全性 .....	30
環境条件について .....	32
まえがき.....	33
主な特長 .....	33
設置 .....	34
スタンダード・アクセサリ .....	34
オプション・アクセサリ .....	34
コントロールおよびコネクタ .....	35
電源の接続 .....	36

ケーブルの接続 .....	38
GPIB アドレスの設定 .....	39
ファームウェアの更新 .....	41
アダプタの設置 .....	43
トラブルシューティング .....	44
仕様 .....	49
保修 .....	51
常规安全概要 .....	52
符合性情報 .....	54
EMC 符合性 .....	54
安全符合性 .....	55
環境注意事項 .....	56
前言 .....	57
主要功能 .....	57
安装 .....	58
标准附件 .....	58
可选附件 .....	58
控件和连接器 .....	59
连接电源 .....	59
连接电缆 .....	62
设置 GPIB 地址 .....	63
更新固件 .....	64
安装适配器 .....	66
故障排除 .....	67
技术指标 .....	70

# Warranty

Tektronix warrants that this product will be free from defects in materials and workmanship for a period of one (1) year from the date of shipment. If any such product proves defective during this warranty period, Tektronix, at its option, either will repair the defective product without charge for parts and labor, or will provide a replacement in exchange for the defective product. Parts, modules and replacement products used by Tektronix for warranty work may be new or reconditioned to like new performance. All replaced parts, modules and products become the property of Tektronix.

In order to obtain service under this warranty, Customer must notify Tektronix of the defect before the expiration of the warranty period and make suitable arrangements for the performance of service. Customer shall be responsible for packaging and shipping the defective product to the service center designated by Tektronix, with shipping charges prepaid. Tektronix shall pay for the return of the product to Customer if the shipment is to a location within the country in which the Tektronix service center is located. Customer shall be responsible for paying all shipping charges, duties, taxes, and any other charges for products returned to any other locations.

This warranty shall not apply to any defect, failure or damage caused by improper use or improper or inadequate maintenance and care. Tektronix shall not be obligated to furnish service under this warranty a) to repair damage resulting from attempts by personnel other than Tektronix representatives to install, repair or service the product; b) to repair damage resulting from improper use or connection to incompatible equipment; c) to repair any damage or malfunction caused by the use of non-Tektronix supplies; or d) to service a product that has been modified or integrated with other products when the effect of such modification or integration increases the time or difficulty of servicing the product.

THIS WARRANTY IS GIVEN BY TEKTRONIX WITH RESPECT TO THE PRODUCT IN LIEU OF ANY OTHER WARRANTIES, EXPRESS OR IMPLIED. TEKTRONIX AND ITS VENDORS DISCLAIM ANY IMPLIED WARRANTIES OF MERCHANTABILITY OR FITNESS FOR A PARTICULAR PURPOSE. TEKTRONIX' RESPONSIBILITY TO REPAIR

OR REPLACE DEFECTIVE PRODUCTS IS THE SOLE AND EXCLUSIVE REMEDY PROVIDED TO THE CUSTOMER FOR BREACH OF THIS WARRANTY. TEKTRONIX AND ITS VENDORS WILL NOT BE LIABLE FOR ANY INDIRECT, SPECIAL, INCIDENTAL, OR CONSEQUENTIAL DAMAGES IRRESPECTIVE OF WHETHER TEKTRONIX OR THE VENDOR HAS ADVANCE NOTICE OF THE POSSIBILITY OF SUCH DAMAGES.

[W2 – 15AUG04]



# General Safety Summary

Review the following safety precautions to avoid injury and prevent damage to this product or any products connected to it.

To avoid potential hazards, use this product only as specified.

*Only qualified personnel should perform service procedures.*

## To Avoid Fire or Personal Injury

**Use Proper Power Cord.** Use only the power cord specified for this product and certified for the country of use.

**Observe All Terminal Ratings.** To avoid fire or shock hazard, observe all ratings and markings on the product. Consult the product manual for further ratings information before making connections to the product.

**Do Not Operate Without Covers.** Do not operate this product with covers or panels removed.

**Do Not Operate With Suspected Failures.** If you suspect that there is damage to this product, have it inspected by qualified service personnel.

**Avoid Exposed Circuitry.** Do not touch exposed connections and components when power is present.

**Use Proper AC Adapter.** Use only the AC adapter specified for this product.

**Wear Eye Protection.** Wear eye protection if exposure to high-intensity rays or laser radiation exists.

**Do Not Operate in Wet/Damp Conditions.**

**Do Not Operate in an Explosive Atmosphere.**

**Keep Product Surfaces Clean and Dry.**

**Provide Proper Ventilation.** Refer to the manual's installation instructions for details on installing the product so it has proper ventilation.

## Terms in this Manual

These terms may appear in this manual:



**WARNING.** *Warning statements identify conditions or practices that could result in injury or loss of life.*

---



**CAUTION.** *Caution statements identify conditions or practices that could result in damage to this product or other property.*

---

## Symbols and Terms on the Product

These terms may appear on the product:

- DANGER indicates an injury hazard immediately accessible as you read the marking.
- WARNING indicates an injury hazard not immediately accessible as you read the marking.
- CAUTION indicates a hazard to property including the product.

The following symbol(s) may appear on the product:



CAUTION  
Refer to Manual

# Compliance Information

This section lists the EMC (electromagnetic compliance) and environmental standards with which the instrument complies.

## EMC Compliance

### EC Declaration of Conformity – EMC

Meets intent of Directive 2004/108/EC for Electromagnetic Compatibility. Compliance was demonstrated to the following specifications as listed in the Official Journal of the European Communities:

**EN 61326-1 2006.** EMC requirements for electrical equipment for measurement, control, and laboratory use.<sup>1 2 3</sup>

- CISPR 11:2003. Radiated and conducted emissions, Group 1, Class A
- IEC 61000-4-2:2001. Electrostatic discharge immunity
- IEC 61000-4-3:2002. RF electromagnetic field immunity
- IEC 61000-4-4:2004. Electrical fast transient / burst immunity
- IEC 61000-4-5:2001. Power line surge immunity
- IEC 61000-4-6:2003. Conducted RF immunity
- IEC 61000-4-11:2004. Voltage dips and interruptions immunity

**EN 61000-3-2:2006.** AC power line harmonic emissions

**EN 61000-3-3:1995.** Voltage changes, fluctuations, and flicker

- 1 This product is intended for use in nonresidential areas only. Use in residential areas may cause electromagnetic interference.
- 2 Emissions which exceed the levels required by this standard may occur when this equipment is connected to a test object.
- 3 To ensure compliance with the EMC standards listed here, high quality shielded interface cables should be used.

**European Contact.**

Tektronix UK, Ltd.  
Western Peninsula  
Western Road  
Bracknell, RG12 1RF  
United Kingdom

**Australia / New Zealand Declaration of Conformity – EMC**

Complies with the EMC provision of the Radiocommunications Act per the following standard, in accordance with ACMA:

- CISPR 11:2003. Radiated and Conducted Emissions, Group 1, Class A, in accordance with EN 61326-1:2006.

## Safety Compliance

### Equipment Type

Test and measuring equipment.

### Pollution Degree Description

A measure of the contaminants that could occur in the environment around and within a product. Typically the internal environment inside a product is considered to be the same as the external. Products should be used only in the environment for which they are rated.

- Pollution Degree 1. No pollution or only dry, nonconductive pollution occurs. Products in this category are generally encapsulated, hermetically sealed, or located in clean rooms.
- Pollution Degree 2. Normally only dry, nonconductive pollution occurs. Occasionally a temporary conductivity that is caused by condensation must be expected. This location is a typical office/home environment. Temporary condensation occurs only when the product is out of service.

- Pollution Degree 3. Conductive pollution, or dry, nonconductive pollution that becomes conductive due to condensation. These are sheltered locations where neither temperature nor humidity is controlled. The area is protected from direct sunshine, rain, or direct wind.
- Pollution Degree 4. Pollution that generates persistent conductivity through conductive dust, rain, or snow. Typical outdoor locations.

### **Pollution Degree**

Pollution Degree 2 (as defined in IEC 61010-1). Note: Rated for indoor use only.

## Environmental Considerations

This section provides information about the environmental impact of the product.

### Product End-of-Life Handling

Observe the following guidelines when recycling an instrument or component:

**Equipment Recycling.** Production of this equipment required the extraction and use of natural resources. The equipment may contain substances that could be harmful to the environment or human health if improperly handled at the product's end of life. In order to avoid release of such substances into the environment and to reduce the use of natural resources, we encourage you to recycle this product in an appropriate system that will ensure that most of the materials are reused or recycled appropriately.



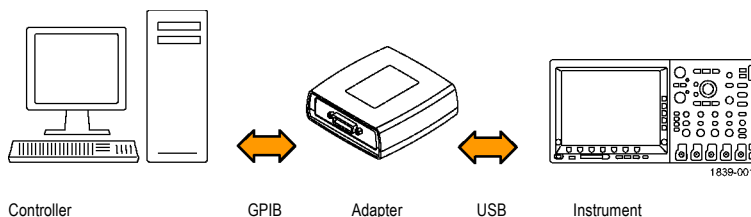
This symbol indicates that this product complies with the applicable European Union requirements according to Directives 2002/96/EC and 2006/66/EC on waste electrical and electronic equipment (WEEE) and batteries. For information about recycling options, check the Support/Service section of the Tektronix Web site ([www.tektronix.com](http://www.tektronix.com)).

### Restriction of Hazardous Substances

This product has been classified as Monitoring and Control equipment, and is outside the scope of the 2002/95/EC RoHS Directive.

# Preface

This manual describes the installation and operation of the TEK-USB-488 GPIB to USB Adapter. The adapter allows you to connect a USB device port on your USBTMC-USB488 compliant instrument, such as a DPO4000 Series oscilloscope, to a GPIB (IEEE488) controller.



## Key Features

Key features include:

- GPIB control of USBTMC-USB488 compliant Tektronix instruments through the USB port. The USBTMC protocol enables USB devices to communicate using IEEE488 style messages. This lets you run your GPIB software applications on USB hardware.
- Fast data transfer rates
- Power from either the USB host or an optional external power supply

# Installation

Unpack the adapter and check that you received all the items listed as standard accessories. Check the Tektronix Web site ([www.tektronix.com](http://www.tektronix.com)) for the most current information.

## Standard Accessories

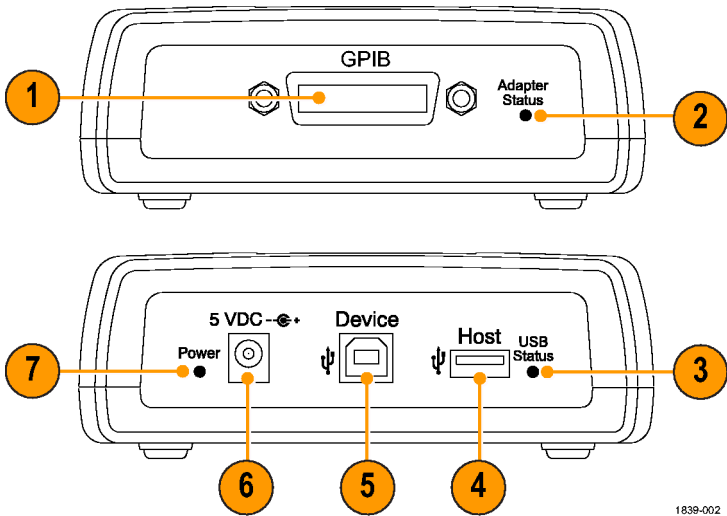
<b>Description</b>	<b>Part number</b>
User Manual	071-1839-XX
USB cable (2 each, 1 meter)	174-4401-XX

## Optional Accessories

<b>Description</b>	<b>Part number</b>
GPIB cable (1 meter)	012-0991-XX
GPIB cable (2 meter)	012-0991-XX
External power supply (order power cord separately)	119-8724-XX
United States power cord	161-0066-XX
Universal European power cord	161-0066-XX
United Kingdom power cord	161-0066-XX
Australia power cord	161-0066-XX
Switzerland power cord	161-0154-XX
Japan power cord	161-0342-XX
China power cord	161-0304-XX
India/South Africa power cord	161-0400-XX



## Controls and Connectors



1839-002

1. GPIB Connector
2. Adapter Status indicator (See Table 1 on page 22.)
3. USB Status indicator (See Table 2 on page 22.)
4. USB Host port for connection to the USB Device port on the controlled instrument.
5. USB Device port. A USB host can provide power to the adapter via this port. This port is for power only. No USB device functionality is provided.
6. Power Connector. For use with the optional external power supply, Tektronix part number 119-8724-XX.
7. Power indicator. Lighted when power is applied.

## Connecting Power

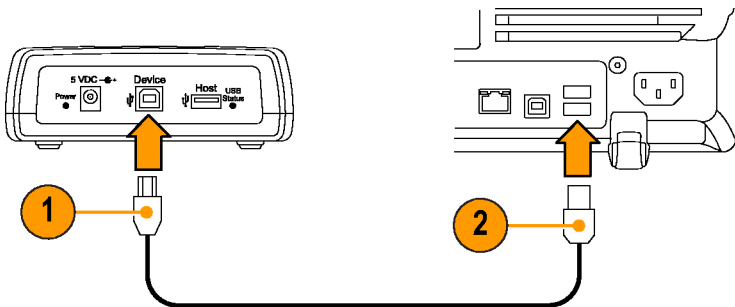
You can connect power to the adapter in one of two ways:

- From a USB host port
- From the optional external power supply

### Connecting USB Power

To apply power to your adapter from a USB host port, do the following procedure:

1. Connect the device end of a USB cable to the USB Device port on the rear panel of the adapter.
2. Connect the host end of the USB cable to a USB Host port on the equipment that is to provide power (typically the instrument being controlled or a PC).



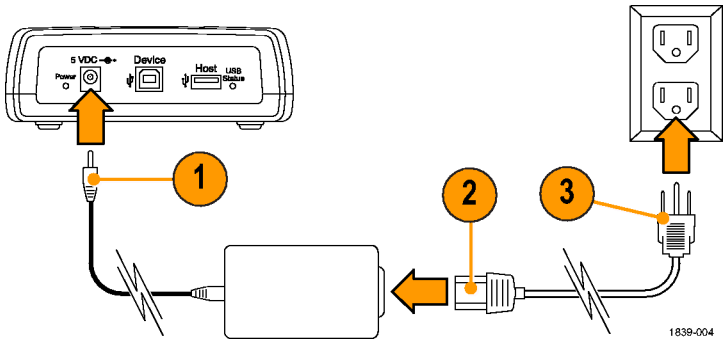
1839-003

3. Verify that the Power LED lights and that the USB and Adapter Status LEDs turn on and then off. This indicates that the adapter is initializing correctly.

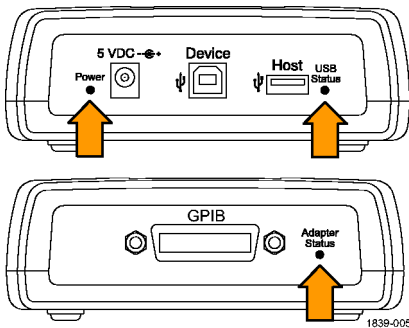
## Connecting the External Power Supply

To apply power to your adapter from the optional AC power unit, do the following procedure:

1. Connect the output power cable from the power unit to the 5 VDC connector on the rear panel of the adapter.
2. Connect one end of the optional power cord to the external power supply.
3. Connect the other end of the power cord to the wall power outlet.



4. Verify that the Power LED lights and that the USB and Adapter Status LEDs turn on and then off. This indicates that the adapter is initializing correctly.

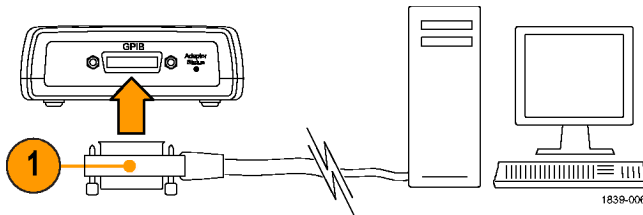


## Connecting Cables

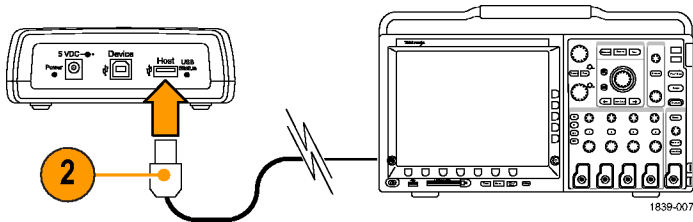
**NOTE.** The following cables can be connected while the instruments are powered on.

To connect the TEK-USB-488 GPIB to USB Adapter to USB and GPIB cables, do the following procedure:

1. Connect a GPIB cable from the GPIB controller to the GPIB port on the adapter.



2. Connect a USB cable from the Device port on the instrument to the Host port on the adapter.



## Setting the GPIB Address

The default GPIB address of the adapter is 1. You have to use the default GPIB address for the adapter if you use it with instruments that are not manufactured by Tektronix, or with older Tektronix instruments that are not designed to support the USB protocol and USB extensions required for setting the GPIB address of the adapter.

If you connect the Tek-USB-488 GPIB to USB Adapter to a Tektronix USBTMC-USB488 compliant instrument designed to support the adapter, such as a DPO4000 Series instrument, you can set the address to a value from 1 through 30 using the menu system of the instrument.

To change the GPIB address from an instrument designed to support the adapter, do the following procedure:

1. Locate the GPIB control menu on the instrument being attached.
2. Use the appropriate control to select the Talk/Listen address that you want. The instrument automatically disables and enables the USB port so that the new address is recognized.
3. Communicate with the instrument attached to the adapter using the control program running on your GPIB controller.

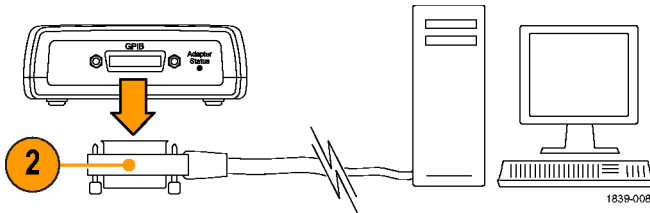
The following parameter assumptions are made:

- GPIB secondary addressing is not supported.
- The default GPIB primary address is 1. The GPIB primary address can only be changed from a connected Tektronix USBTMC-USB488 compliant instrument designed to support the TEK-USB-488 GPIB to USB Adapter, such as a DPO4000 Series oscilloscope.
- The GPIB Program Message Terminator (PMT) is the GPIB end of input (EOI) line and is not configurable. Messages that assert EOI concurrent with a new line (hexadecimal 0a) character as the last data byte are supported. This means that both EOI and EOI NL program message terminations are supported and that the NL-only termination is not supported.
- USB hubs are not supported. You can connect only one USBTMC-USB488 compliant instrument to the USB Host port of the adapter at any time.
- The GPIB on/off state is online when there is an active USBTMC-USB488 connection. You cannot change the GPIB on/off state after the connection is established.

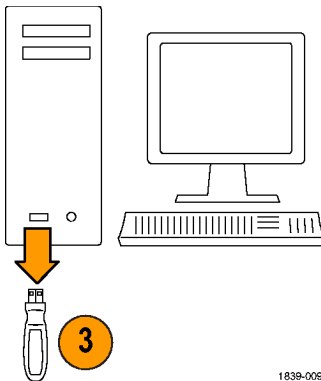
## Updating Firmware

To update the adapter firmware:

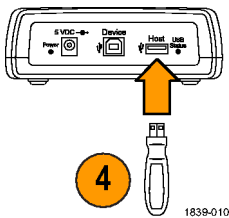
1. Power off the adapter.
2. Disconnect any USB or GPIB devices from the adapter.



3. Download the new firmware from [www.tektronix.com](http://www.tektronix.com) to a USB mass storage device.



4. Plug the USB mass storage device into the adapter.



5. Power on the adapter.

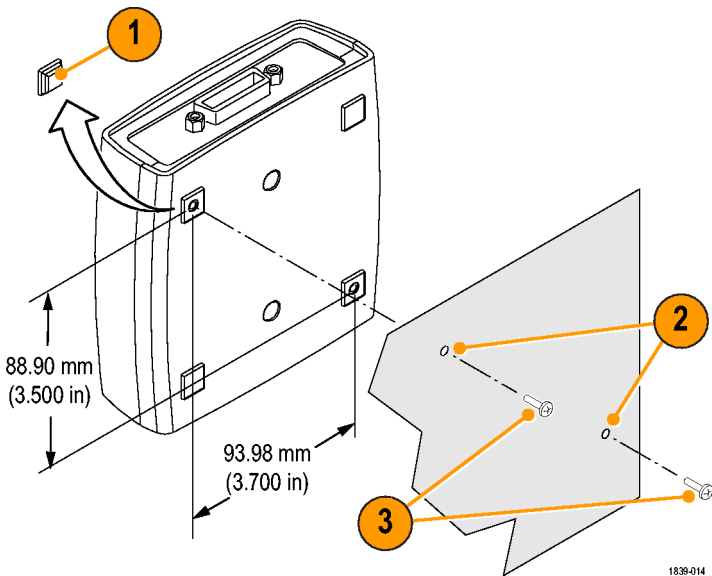
6. Note the color of the Adapter Status LED.
  - Solid yellow indicates that the firmware upgrade is in progress. Wait until the LED changes color.
  - Blinking green indicates that the firmware was successfully updated. Go to step 7.
  - Blinking red indicates that the firmware update failed. Go to step 9.
7. If the LED is blinking green, power off the adapter, and reconnect the USB and GPIB cables. (See page 14, *Connecting Cables*.)
8. Power on the adapter, and verify that the Adapter Status LED is solid green. This completes the firmware update procedure.
9. If the LED is blinking red, the firmware upgrade process failed. Contact Tektronix for service.



## Mounting the Adapter

Although there is no rackmount kit available specifically for the adapter, you can mount the adapter to a surface, such as an existing rackmount tray or a bracket of your design, by doing the following procedure:

1. Remove the four adhesive-backed, plastic feet from the adapter.
2. Refer to the dimensions shown in the illustration, and drill holes in the mounting surface for two screws.
3. Mount the adapter using two 6-32 screws of appropriate length.



1839-014

---

**NOTE.** If you are installing the RM4000 rackmount kit for a DPO4000 Series instrument, the kit has provisions for mounting accessories, such as the adapter.

---

# Troubleshooting

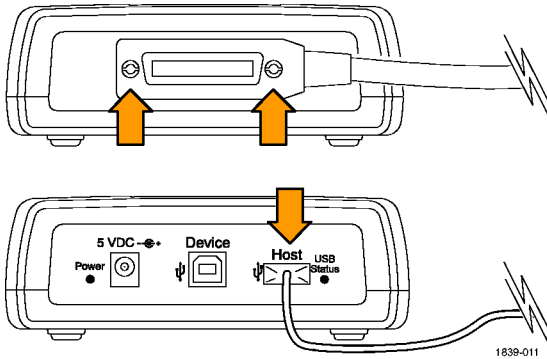
Before starting to troubleshoot, note the following:

- There are no user serviceable parts.
- There is no performance verification procedure.
- The adapter does not support a USB hub.

If your adapter does not appear to work, do the following checks:

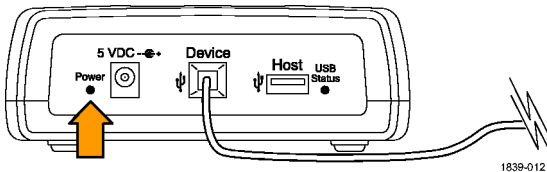
**1. Check the cables.**

The USB and GPIB cable connectors should be fully inserted. When you push on them gently, they should feel fully seated.



**2. Check the power.**

If the adapter is receiving power, the power indicator will be lighted. If it is not, try gently pushing in the power cable on either the power connector or the USB Device port, whichever one you are using.



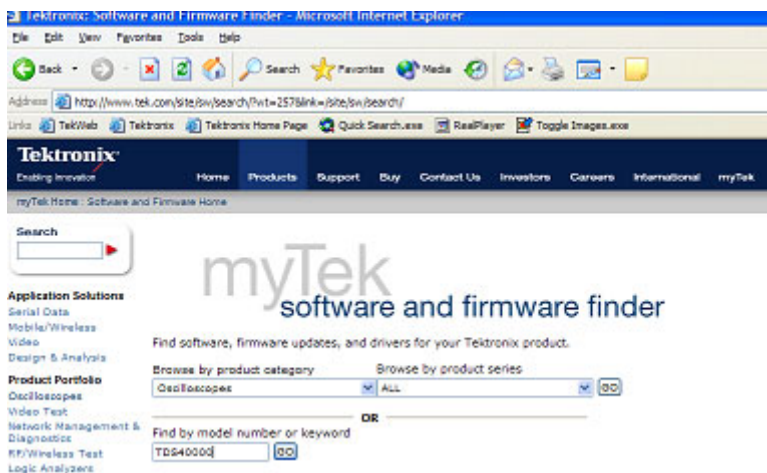
3. Check the GPIB settings.

If the adapter is receiving power, the power indicator will be lighted. If it is not, try gently pushing in the power cable on either the power connector or the USB Device port, whichever one you are using.

If the address setting is correct, disconnect the instrument from the Host port on the adapter. Wait for one second, and then reconnect the instrument to the Host port.

4. Check the firmware.

Use up-to-date firmware for your adapter. To do this, go to [www.tektronix.com](http://www.tektronix.com) on the Web. Load the firmware to the adapter by way of the USB port. (See page 17, *Updating Firmware*.)



5. Check that your program does not lose data.

If you notice data being lost, you may have encountered the **Interrupted Query Error**: Correct this situation by ensuring that your program is written so that after the controller sends a query to the oscilloscope, it reads all of the response data from the oscilloscope before sending any other commands or queries to it.

For additional information, refer to the appropriate programmer manual (for example, the DPO4000 Series Programmer Manual).

6. Check the indicator lights.

The Adapter Status and USB Status indicator lights on the adapter should be in their normal settings. To check them, refer to the following tables:

**Table 1: Adapter Status LED**

<b>Color</b>	<b>Illumination</b>	<b>Description</b>
Green	Solid	The GPIB is online and operational. A USB connection is established.
	Blinking	If in normal operational mode, the GPIB cannot be placed online because there is not an active USB connection or the connected USBTMC-USB488 device is not a Tektronix instrument.  If in the firmware upgrade mode, the firmware upgrade has completed successfully.
Yellow	Solid	A firmware upgrade is in process.
	Blinking	Firmware upgrade mode: A USB mass storage device is detected, which contains the firmware upgrade file.  Non firmware upgrade mode: The GPIB cannot be placed online due to an error detected by the GPIB driver.
Red	Solid	The adapter sensed an attempted connection of a USB connection to a non USBTMC-USB488 device. The adapter refused to make the connection.
	Blinking	If in operational mode, the power-up self test failed.  If in the firmware upgrade mode, the firmware upgrade failed.
None	Off	If in operational mode, the GPIB is off line.  It may also mean that the adapter is not powered on.

**Table 2: USB Status LED**

<b>Illumination</b>	<b>Description</b>
Off	No USB connection is present
Solid	A USB connection is present, and there is no activity
Blinking	A USB connection is present, and data is being transferred on any of the USB endpoints.

# Specifications

## USB, General

Characteristic	Description
USB Host Version	Partially to fully compliant USB 2.0 full speed host interface. Anticipated downstream power requirements are less than 10 mA when connected to a Tektronix oscilloscope. Sole noncompliance point is current available when running from USB device port.
USB Driver Class	Modified USB TMC standard.

## USB Device Characteristics

Characteristic	Description
USB Device Version	None. Device interface provides power only. Assumes 0.5 A availability from host device. No negotiation is performed to acquire access to that power.

## GPIB Characteristics

Characteristic	Description
GPIB Version	IEEE-488.2
Bulk Data Rate	Bulk data rate is highly dependent upon the characteristics of the GPIB controller and any other peripherals coresident on the GPIB. No provision is made to support HS (4 MB/sec) GPIB No provision is made for DMA from GPIB
Supported GPIB Features	AH1, SH1, SR1, PP1, T5, L3, RL1, DC1, DT1, C0

## Miscellaneous Characteristics

Characteristic	Description
Current Consumption	Current consumption is less than 0.5 ADC from 5 V

## Atmospherics

Characteristic	Description
Temperature: Operating and Nonoperating	Operating: 0 °C to +50 °C (32 °F to +122 °F) Nonoperating: -20 °C to +60 °C (-4 °F to +140 °F)
Humidity: Operating and Nonoperating	Operating: High: 40 °C to 50 °C (104 °F to 122 °F), 10% to 60% relative humidity Low: 0 °C to 40 °C (32 °F to 104 °F), 10% to 90% relative humidity Nonoperating: High: 40 °C to 60 °C (104 °F to 140 °F), 5% to 60% relative humidity Low: 0 °C to 40 °C (32 °F to 104 °F), 5% to 90% relative humidity
Altitude: Operating and Nonoperating	Operating: Up to 3,000 m (10,000 ft) Nonoperating: Up to 15,240 m (50,000 ft)

## Physical Characteristics

Characteristic	Description	
Height	48.25 mm	1.90 in
Width	133.35 mm	5.25 in
Depth	133.35 mm	5.25 in
Weight	560 g	1.25 lb

## 保証

当社は本製品について、当社の認定代理店による出荷の日から1年間、その素材および製造工程に欠陥がないことを保証します。本保証期間中、かかる製品に欠陥があることが判明した場合、当社は、当社の判断にて、部品および作業の費用を請求せずに当該欠陥製品を修理するか、または当該欠陥製品と交換に代替品を提供します。当社が保証遂行のために使用する部品、モジュール、および代替品は、新品の場合もあれば、新品同様の性能を持つ再生品の場合もあります。交換したすべての部品、モジュール、および製品は当社の所有物となります。

お客様が本保証に基づくサービスを受けるには、適用保証期間が満了する前に、当該欠陥について当社に通知し、サービス実施に関する適切な手配を行う必要があります。お客様には、当該欠陥製品を梱包していただき、送料元払いにて当社指定のサービス受付センターに送付していただきます。製品をお客様に返送する際、返送先が当社サービス受付センターの所在国と同一国内にある場合には、当社がその返送費用を負担するものとします。上記以外の場所に返送される製品については、すべての発送費用、関税、税、およびその他の費用を支払う責任はお客様が負うものとします。

製品の不適切な使用または整備点検の不足によって生じた欠陥、障害、または損傷は、本保証の対象外です。当社は、次の事項については、本保証に基づくサービスを提供する義務を負わないものとします。a) 当社担当者以外の者による本製品の設置、修理または整備の実施から生じた損傷に対する修理。b) 不適切な使用または互換性のない機器への接続から生じた損傷に対する修理。c) 当社製以外のサプライ用品の使用により生じた損傷または機能不全に対する修理。d) 本製品が改造または他の製品と統合された場合において、かかる改造または統合の影響により当該本製品の整備の時間または難易度が増加した場合の当該本製品に対する整備。

本保証は、明示であるか黙示であるかを問わず他のあらゆる保証の代わりに、本製品に関して当社がお客様に対して提供するものです。当社および当社代理店は、商品性または特定目的に対する適合性についての一切の黙示保証を否認します。欠陥製品を修理または交換するという当社の責任行為は、本保証の義務違反に対してお客様に提供される唯一かつ排他的な救済手段です。当社および当社代理店は、間接的、限定的、偶発的、または派生的な損害について

は、かかる損害の可能性を事前に通知されていたか否かにかかわらず、一切責任を追わないものとします。

[W2 - 15AUG04]



# 安全にご使用いただくために

人体への損傷を避け、本製品や本製品に接続されている製品への損傷を防止するために、安全性に関する次の注意事項をよくお読みください。

安全にご使用いただくために、本製品の指示に従ってください。

資格のあるサービス担当者以外は、保守点検手順を実行しないでください。

## 火災や人体への損傷を避けるには

**適切な電源コードを使用してください:** 本製品用に指定され、使用される国で認定された電源コードのみを使用してください。

**すべての端子の定格に従ってください:** 火災や感電の危険を避けるために、本製品のすべての定格とマーキングに従ってください。本製品に電源を接続する前に、定格の詳細について、製品マニュアルを参照してください。

**カバーを外した状態では使用しないでください:** カバーやパネルを外した状態で本製品を動作させないでください。

**故障の疑いがあるときは使用しないでください:** 本製品に故障の疑いがある場合、資格を有するサービス担当者に検査を依頼してください。

**回路の露出を避けてください:** 電源がオンのときに、露出した接続部分やコンポーネントに触れないでください。

**適切な AC アダプタを使用してください:** 本製品専用の AC アダプタのみをご使用ください。

**防護ゴーグルを着用してください:** 強力な光線またはレーザー照射にさらされる危険性がある場合は、防護ゴーグルを着用してください。

**湿気の多いところでは使用しないでください:**

**爆発しやすい環境では動作させないでください:**

**製品の表面を清潔で乾燥した状態に保ってください:**

**十分な換気を確保してください:** ユーザ・マニュアルの設置手順を参照し、十分な換気を確保してください。

## 本マニュアル内の用語

このマニュアルでは次の用語を使用します。



**警告:** 人体や生命に危害をおよぼすおそれのある状態や行為を示します。

---



**注意:** 本製品やその他の接続機器に損害を与える状態や行為を示します。

---

## 本製品に関する記号と用語

本製品では、次の用語を使用します。

- **DANGER:** ただちに人体や生命に危険をおよぼす可能性があることを示します。
- **WARNING:** 人体や生命に危険をおよぼす可能性があることを示します。
- **CAUTION:** 本製品を含む周辺機器に損傷を与える可能性があることを示します。

本製品では、次の記号を使用します。



**CAUTION**  
Refer to Manual

# 適合性に関する情報

このセクションでは、本機器が適合している EMC 基準および環境基準について説明します。

## EMC

### EC 適合宣言 – EMC

指令 2004/108/EC 電磁環境両立性に適合します。『Official Journal of the European Communities』に記載の以下の仕様に準拠します。

**EN 61326-1 2006:** 測定、制御、および実験用途の電子機器を対象とする EMC 基準。 <sup>1 2 3</sup>

- CISPR 11:2003:グループ 1、クラス A、放射および伝導エミッション
- IEC 61000-4-2:2001:静電気放電イミュニティ
- IEC 61000-4-3:2002:RF 電磁界イミュニティ
- IEC 61000-4-4:2004:ファスト・トランジェント／バースト・イミュニティ
- IEC 61000-4-5:2001:電源サージ・イミュニティ
- IEC 61000-4-6:2003:伝導 RF イミュニティ
- IEC 61000-4-11:2004:電圧低下と停電イミュニティ

**EN 61000-3-2:2006:** AC 電源高調波エミッション

**EN 61000-3-3:1995:** 電圧の変化、変動、およびフリッカ

- 1 本製品は住居区域以外での使用を目的としたものです。住居区域で使用すると、電磁干渉の原因となることがあります。
- 2 本製品をテスト対象に接続した状態では、この規格が要求するレベルを超えるエミッションが発生する可能性があります。
- 3 ここに挙げた各種 EMC 規格に確実に準拠するには、高品質なシールドを持つインタフェース・ケーブルが必要です。

**欧州域内連絡先:**

Tektronix UK, Ltd.  
Western Peninsula  
Western Road  
Bracknell, RG12 1RF  
United Kingdom

## オーストラリア／ニュージーランド適合宣言 - EMC

ACMA に従い、次の規格に準拠することで Radiocommunications Act の EMC 条項に適合しています。

- CISPR 11:2003:グループ 1、クラス A、放射および伝導エミッション (EN 61326-1:2006 に準拠)

## 安全性

### 機器の種類

測定機器

### 汚染度

製品内部およびその周辺で発生する可能性がある汚染の尺度です。通常、製品の内部環境は外部環境と同じとみなされます。製品は、その製品に指定されている環境でのみ使用してください。

- 汚染度 1: 汚染なし、または乾燥した非導電性の汚染のみが発生します。このカテゴリの製品は、通常、被包性、密封性のあるものか、クリーン・ルームでの使用を想定したものです。
- 汚染度 2: 通常、乾燥した非導電性の汚染のみが発生します。ただし、結露によって一時的な導電性が発生することもまれにあります。これは、標準的なオフィスや家庭内の環境に相当します。一時的な結露は製品非動作時のみ発生します。

- 汚染度 3: 導電性のある汚染、または通常は乾燥して導電性を持たないが結露時に導電性を帯びる汚染。これは、温度、湿度のいずれも管理されていない屋内環境に相当します。日光や雨、風に対する直接の曝露からは保護されている領域です。
- 汚染度 4: 導電性のある塵、雨、または雪により持続的な導電性が生じる汚染。これは一般的な屋外環境に相当します。

## 汚染度

汚染度 2 (IEC 61010-1 の定義による)。注: 屋内使用のみについての評価です。

## 環境条件について

このセクションでは本製品が環境に及ぼす影響について説明します。

### 使用済み製品の処理方法

機器またはコンポーネントをリサイクルする際には、次のガイドラインを順守してください。

**機器のリサイクル:** 本製品の製造には天然資源が使用されています。この製品には、環境または人体に有害となる可能性のある物質が含まれているため、製品を廃棄する際には適切に処理する必要があります。有害物質の放出を防ぎ、天然資源の使用を減らすため、機材の大部分を再利用またはリサイクルできる適切な方法で処理してください。



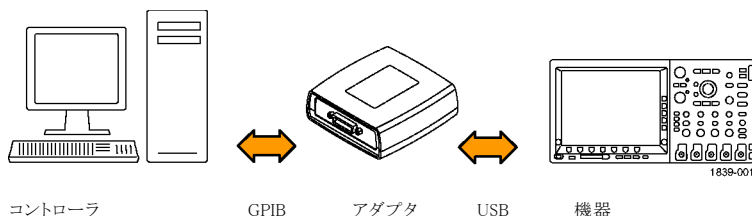
この記号は、本製品が WEEE (廃棄電気・電子機器) およびバッテリーに関する Directive 2002/96/EC および 2006/66/EC に基づき、EU の諸要件に準拠していることを示しています。リサイクル方法については、Tektronix Web サイト ([www.tektronix.com](http://www.tektronix.com)) の「Service/Support」のセクションを参照してください。

### 有害物質に関する規制

本製品は Monitoring and Control (監視および制御) 装置に分類されており、2002/95/EC RoHS Directive (電気・電子機器含有特定危険物質使用制限指令) の適用範囲外です。

# まえがき

このマニュアルでは、TEK-USB-488 型 GPIB-USB アダプタの設置方法と使用方法について説明します。このアダプタを使用すると、USBTMC-USB488 対応機器 (DPO4000 シリーズ・オシロスコープなど) の USB デバイス・ポートを GPIB (IEEE488) コントローラに接続することができます。



## 主な特長

主な特長は次のとおりです。

- USBTMC-USB488 対応の当社機器を USB ポート経由で GPIB 制御。USBTMC プロトコルにより、IEEE488 準拠のメッセージを使用した通信が可能です。これにより、USB ハードウェア上で GPIB ソフトウェア・アプリケーションを使用できます。
- データを高速転送します。
- USB ホストまたはオプションの外部電源から電源を供給できます。

## 設置

アダプタを開梱し、スタンダード・アクセサリとして記載されているすべての付属品が含まれていることを確認してください。最新情報については、当社 Web サイト([www.tektronix.com](http://www.tektronix.com))をご覧ください。

### スタンダード・アクセサリ

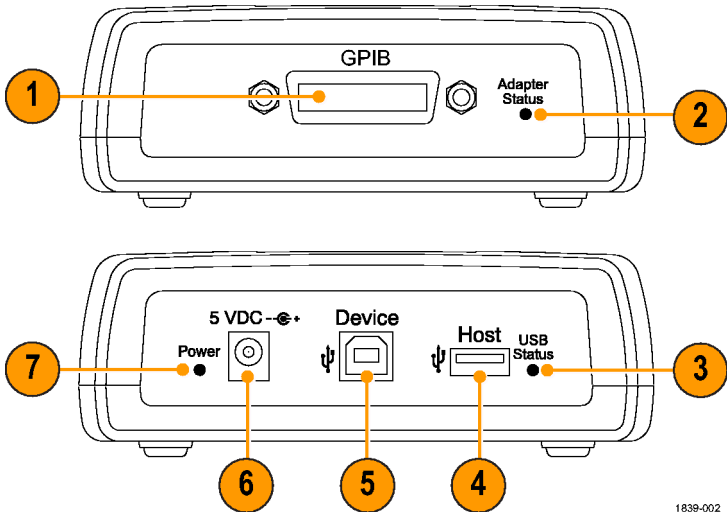
説明	部品番号
ユーザ・マニュアル	071-1839-XX
USB ケーブル(2 本、各 1m)	174-4401-XX

### オプション・アクセサリ

説明	部品番号
GPIB ケーブル(1 m)	012-0991-XX
GPIB ケーブル(2 m)	012-0991-XX
外部電源(下記の電源コードは別売り)	119-8724-XX
電源コード(米国仕様)	161-0066-XX
電源コード(欧州共通仕様)	161-0066-XX
電源コード(英国仕様)	161-0066-XX
電源コード(オーストラリア仕様)	161-0066-XX
電源コード(スイス仕様)	161-0154-XX
電源コード(日本仕様)	161-0342-XX
電源コード(中国仕様)	161-0304-XX
電源コード(インド/南アフリカ仕様)	161-0400-XX



## コントロールおよびコネクタ



1839-002

1. GPIB コネクタ
2. アダプタ・ステータス LED(47 ページの 表 3 参照)。
3. USB ステータス LED(48 ページの 表 4 参照)。
4. USB ホスト・ポート。被制御機器の USB デバイス・ポートとの接続に使用します。
5. USB デバイス・ポート。このポートを介して USB ホストからアダプタに電源を供給します。電源供給専用であり、USB デバイス機能は備わっていません。
6. 電源 コネクタ。オプションの外部電源(当社部品番号 119-8724-XX)を接続します。
7. 電源 LED電源が供給されていると点灯します。

## 電源の接続

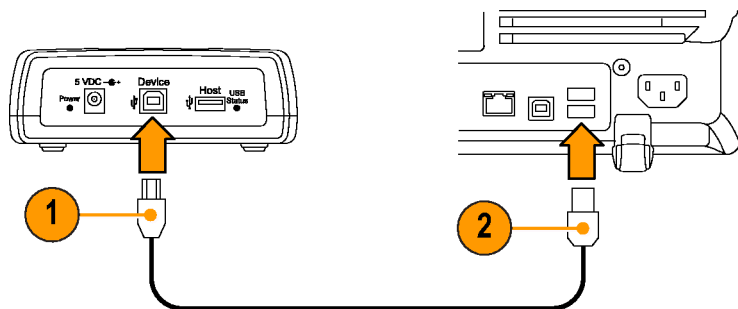
アダプタへの電源供給方法には、次の 2 通りの方法があります。

- USB 2.0 ホスト・ポートから供給
- オプションの外部電源から供給

### USB 接続による電源供給

USB ホスト・ポートからアダプタへ電源を供給するには、次の手順に従います。

1. USB ケーブルのデバイス側の端を、アダプタ・リア・パネルの USB デバイス・ポートに接続します。
2. USB ケーブルのホスト側の端を、電源供給元とする機器（被制御機器または PC など）の USB ホスト・ポートに接続します。



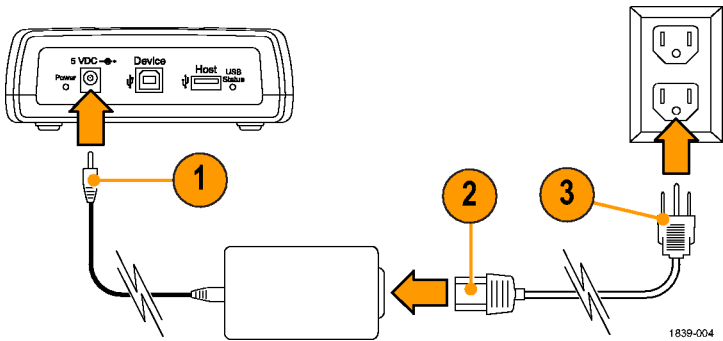
1839-003

3. 電源 LED が点灯していること、および、USB ステータス LED とアダプタ・ステータス LED が点灯して消えることを確認します。この状態は、アダプタの初期化が正常に行われていることを示します。

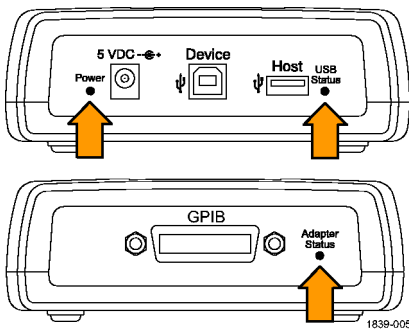
## 外部電源の接続による電源供給

オプションの AC 電源ユニットからアダプタへ電源を供給するには、次の手順に従います。

1. 電源ユニットの出力電源ケーブルをアダプタ・リア・パネルの 5 VDC コネクタに接続します。
2. オプションの電源コードの一方の端を外部電源ユニットに接続します。
3. 電源コードのもう一方の端をコンセントに差し込みます。



4. 電源 LED が点灯していること、および、USB ステータス LED とアダプタ・ステータス LED が点灯して消えることを確認します。この状態は、アダプタの初期化が正常に行われていることを示します。

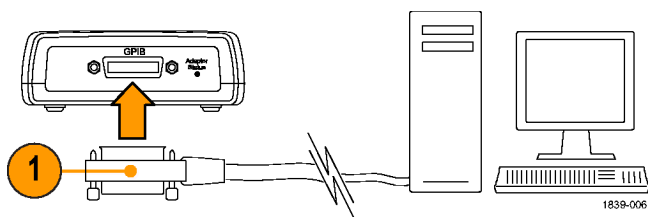


## ケーブルの接続

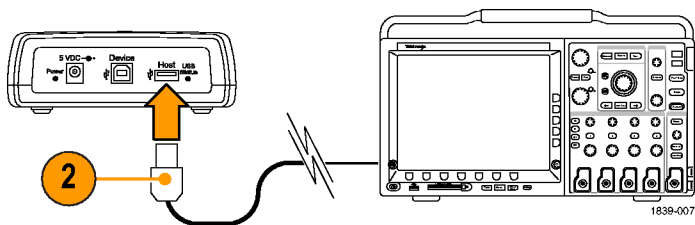
**注:** このセクションで説明するケーブルは、機器の電源をオンにした状態で接続できます。

TEK-USB-488 型 GPIB-USB アダプタに USB ケーブルと GPIB ケーブルを接続するには、次の手順に従います。

1. GPIB コントローラとアダプタの GPIB ポートを GPIB ケーブルで接続します。



2. 機器のデバイス・ポートとアダプタのホスト・ポートを USB ケーブルで接続します。



## GPIB アドレスの設定

アダプタのデフォルトの GPIB アドレスは 1 です。アダプタを他社製品に使用する場合、または、USB プロトコルと USB 拡張に未対応の古い当社製品でアダプタの GPIB アドレスを設定できない場合は、このデフォルトの GPIB アドレスを使用してください。

Tek-USB-488 型 GPIB-USB アダプタを Tektronix USBTMC-USB488 対応機器 (DPO4000 シリーズなど) に接続すると、機器のメニューを使用してアドレスを 1 ~ 30 の範囲で設定することができます。

アダプタに対応している機器から GPIB アドレスを変更するには、次の手順に従います。

1. 接続先の機器で GPIB コントロール・メニューを開きます。
2. 適切なコントロールを使用して任意の Talk/Listen アドレスを選択します。USB ポートがいったん無効化された後、有効化され、新しいアドレスが自動的に認識されます。
3. GPIB コントローラ上の制御プログラムを使用して、アダプタに接続されている機器との通信を行います。

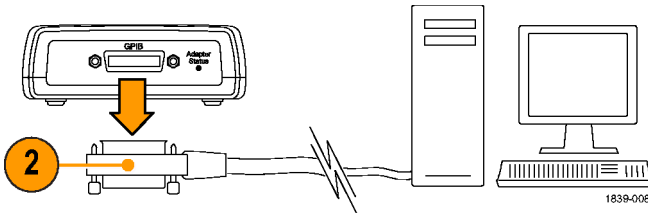
想定されるパラメータ設定は以下のとおりです。

- GPIB セカンダリ・アドレスはサポートされません。
- デフォルトの GPIB プライマリ・アドレスは 1 です。この GPIB プライマリ・アドレスは、接続している機器が Tektronix USBTMC-USB488 に準拠し TEK-USB-488 型 GPIB-USB アダプタをサポートしている場合のみ (DPO4000 シリーズ・オシロスコープなど)、その機器から変更することができます。
- GPIB プログラム・メッセージ・ターミネータ (PMT) は、GPIB の EOI ラインであり、設定することはできません。EOI と最終データ・バイトの改行文字 (16 進の 0a) を同時にアサートするメッセージがサポートされています。つまり、EOI および EOI NL によるプログラム・メッセージ・ターミネーションはどちらもサポートされていますが、NL 単独のターミネーションはサポートされていません。
- USB ハブはサポートされていません。アダプタの USB ホスト・ポートに接続できるのは、常に、USBTMC-USB488 対応の機器 1 台のみです。
- GPIB の on/off 状態は、アクティブな USBTMC-USB488 接続が存在する場合にオンラインになります。接続が確立された後で GPIB の on/off を変更することはできません。

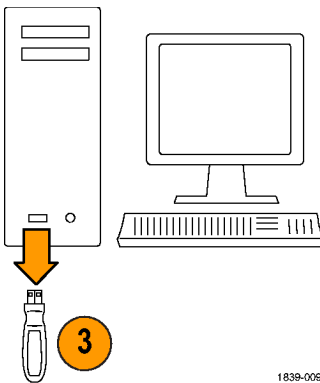
## ファームウェアの更新

アダプタのファームウェアを更新するには、次の手順に従います。

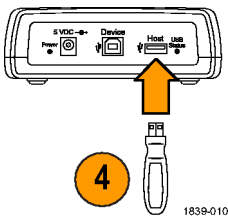
1. アダプタの電源をオフにします。
2. アダプタに接続されている USB デバイスまたは GPIB デバイスがあれば、それらを切り離します。



3. 新しいファームウェアを [www.tektronix.com](http://www.tektronix.com) から大容量 USB ストレージ・デバイスにダウンロードします。



4. USB ストレージ・デバイスをアダプタに差し込みます。



5. アダプタの電源をオンにします。

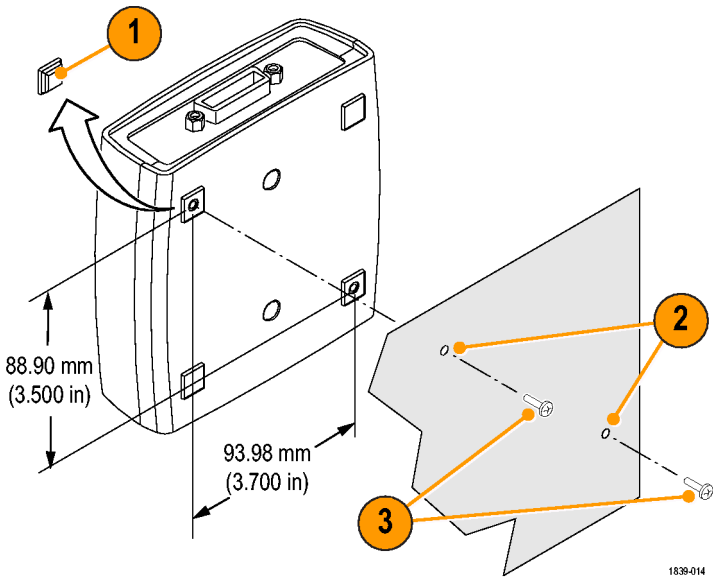
6. アダプタ・ステータス LED の色に注目します。
  - 黄色に点灯：ファームウェアの更新が進行中であることを示します。LED の色が変わるまで待ちます。
  - 緑色に点滅：ファームウェアの更新が成功したことを示します。ステップ 7 に進みます。
  - 赤色に点滅：ファームウェアの更新が失敗したことを示します。ステップ 9 に進みます。
7. LED が緑色に点滅している場合は、アダプタの電源をオフにし、USB ケーブルと GPIB ケーブルを接続し直します。(38 ページ「ケーブルの接続」参照)。
8. アダプタの電源をオンにし、アダプタ・ステータス LED が緑色に点灯することを確認します。これで、ファームウェアの更新手順は終了です。
9. LED が赤色に点滅している場合は、ファームウェアの更新が失敗しています。当社サービス担当までお問い合わせください。



## アダプタの設置

アダプタ専用のラックマウント・キットはありませんが、以下の手順により、既存のラックマウント・トレイや独自設計のブラケットにアダプタを設置することができます。

1. アダプタからプラスチック製の足 (4 個) を剥がして取り外します。
2. 下図の寸法に合わせて、設置面にネジ穴を 2 つ開けます。
3. 適当な長さの 6-32 ネジを 2 個使用して、アダプタを固定します。



1839-014

**注:** DPO4000 シリーズ用の RM4000 型ラックマウント・キットを使用すると、アダプタなどのアクセサリを設置するのが容易です。

## トラブルシューティング

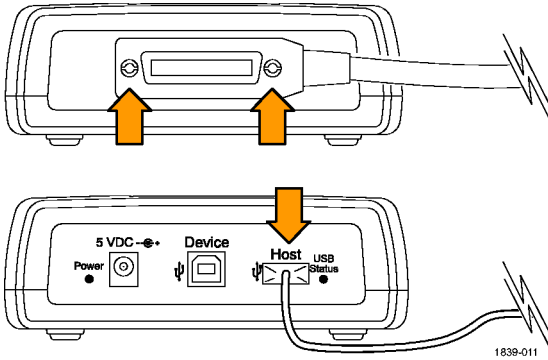
トラブルシューティングを開始する前に、以下の点にご注意ください。

- お客様が修理できる部品はありません。
- パフォーマンス検証用の手順はありません。
- アダプタは USB ハブをサポートしていません。

アダプタが正しく動作しないと思われる場合は、次の項目をチェックしてください。

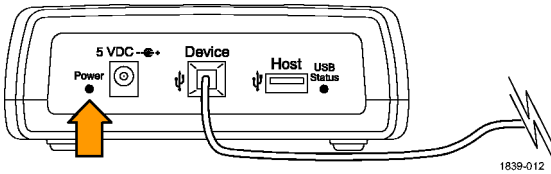
1. ケーブルをチェックします。

USB および GPIB ケーブル・コネクタは、奥まで完全に差し込む必要があります。ケーブルをゆっくと押し込むと、所定の位置で正しくかみ合います。



2. 電源をチェックします。

アダプタに電源が供給されている場合、電源 LED が点灯します。点灯しない場合は、使用している電源コネクタ側または USB デバイス・ポート側で、電源ケーブルをゆっくと押し込んでみてください。



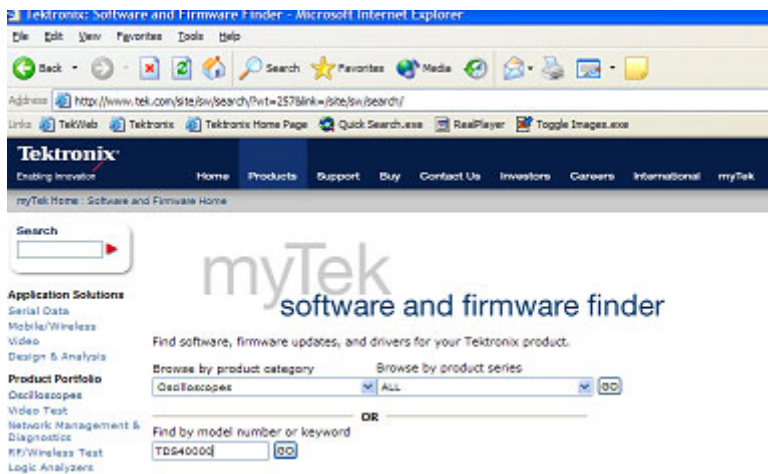
3. GPIB 設定をチェックします。

アダプタに電源が供給されている場合、電源 LED が点灯します。点灯しない場合は、使用している電源コネクタ側または USB デバイス・ポート側で、電源ケーブルをゆっくり押し込んでみてください。

アドレス設定が正しければ、アダプタのホスト・ポートから機器を取り外します。1 秒間待ってから機器をホスト・ポートに接続し直します。

4. ファームウェアをチェックします。

アダプタのファームウェアは最新版である必要があります。最新版は当社 Web サイト(www.tektronix.com)で入手できます。入手したファームウェアは USB ポートを介してアダプタに読み込んでください。(41 ページ「ファームウェアの更新」参照)。



5. プログラムでデータが喪失していないかを確認します。

データの喪失がある場合は **Interrupted Query Error:** というエラー・メッセージが表示される可能性があります。この状況を修正するには、プログラムをチェックし、コントローラがオシロスコープに対してクエリを送信した後、オシロスコープからのすべての応答データを読み込んでから次のコマンドまたはクエリを送信しているかを確認する必要があります。

詳細については、関連のプログラマ・マニュアル (『DPO4000 シリーズ・プログラマ・マニュアル』など) を参照してください。

6. LED の状態をチェックします。

アダプタ上のアダプタ・ステータス LED および USB ステータス LED は、正しい設定になっている必要があります。以下の表を参照して設定をチェックしてください。

**表 3: Adapter Status (アダプタ・ステータス) LED**

色	発光状態	説明
緑色	点灯	GPIB がオンラインで機能しています。USB 接続が確立されています。
	点滅	通常の動作モード: GPIB がオンラインに移行できません。原因としては、アクティブな USB 接続がないか、接続されている USBTMC-USB488 デバイスが当社製品ではないことが考えられます。 ファームウェア更新モード: ファームウェアの更新が成功しています。
黄色	点灯	ファームウェアのアップグレードが進行中です。
	点滅	ファームウェア・アップグレード・モード: ファームウェア・アップグレード・ファイルが格納された大容量 USB ストレージ・デバイスが検出されました。 ファームウェア・アップグレード・モード以外: GPIB がオンラインに移行できません。GPIB ドライバでエラーが検出されています。
赤	点灯	非 USBTMC-USB488 デバイスへの USB 接続が試みられましたが、アダプタによって拒絶されました。
	点滅	動作モード: 電源オン時の自己診断が失敗しました。 ファームウェア・アップグレード・モード: ファームウェアの更新が失敗しました。
なし	オフ (消灯)	動作モード: GPIB がオフラインです。 アダプタの電源がオフになっている場合もあります。

**表 4: USB Status (USB ステータス) LED**

発光状態	説明
オフ (消灯)	USB 接続がありません。
点灯	USB 接続がありますが、非アクティブ状態です。
点滅	USB 接続が確立され、USB エンドポイントにデータが転送されています。

# 仕様

## USB、一般

特性	説明
USB ホスト・バージョン	高速の USB 2.0 ホスト・インタフェースをほぼ完全サポート。当社製オシロスコープに接続の場合、期待されるダウンストリームの電源要件は 10 mA 未満。USB デバイス・ポートから電源を供給する場合に得られる電流のみ、基準を満たしていない。
USB ドライバ・クラス	USB TMC 規格(改訂)

## USB デバイスの特性

特性	説明
USB デバイス・バージョン	なし。デバイス・インタフェースは電源のみを供給。ホスト・デバイスから得られる電流は 0.5 A を想定。この電源へのアクセスを獲得するためのネゴシエーションは行われず。

## GPIO の特性

特性	説明
GPIO バージョン	IEEE-488.2
バルク・データ・レート	バルク・データ・レートは、GPIO コントローラおよび GPIO に混在する他の周辺機器の特性によって大きく異なる。 HS (4 MB/s) GPIO のサポートについては規定なし。 GPIO からの DMA については規定なし。
サポートされている GPIO 機能	AH1、SH1、SR1、PP1、T5、L3、RL1、DC1、DT1、C0

## その他の特性

特性	説明
消費電流	消費電流は 0.5 ADC 未満 (5 V)

## 周辺環境

特性	説明
温度：動作時および非動作時	動作時： 0 °C ~ +50 °C (32 °F ~ +122 °F) 非動作時： -20 °C ~ +60 °C (-4 °F ~ +140 °F)
湿度：動作時および非動作時	動作時： 最高：40 °C ~ 50 °C (104 °F ~ 122 °F)、相対湿度 10% ~ 60% 最低：0 °C ~ 40 °C (32 °F ~ 104 °F)、相対湿度 10% ~ 90% 非動作時： 最高：40 °C ~ 60 °C (104 °F ~ 140 °F)、相対湿度 5% ~ 60% 最低：0 °C ~ 40 °C (32 °F ~ 104 °F)、相対湿度 5% ~ 90%
高度：動作時および非動作時	動作時： 0 ~ 3,000 m 非動作時： 0 ~ 15,240 m

## 物理特性

特性	説明
高さ	48.25 mm                      1.90 インチ
幅	133.35 mm                      5.25 インチ
奥行き	133.35 mm                      5.25 インチ
質量	560 g                              1.25 ポンド



## 保修

Tektronix 保证，本产品自发货之日起一 (1) 年内不会出现材料和工艺缺陷。如果在保修期内证明任何此类产品有缺陷，Tektronix 将会选择对缺陷产品进行维修或更换，不收部件和人工费用。Tektronix 作保修用途的部件、模块和更换产品可能是全新的，或者经修理具有相当于新产品的性能。所有更换的部件、模块和产品将成为 Tektronix 的财产。

为得到本保证声明承诺的服务，客户必须在保修期内向 Tektronix 通报缺陷，并为服务的履行做适当安排。客户应负责包装缺陷产品并托运到 Tektronix 指定的维修中心，同时预付运费。如果产品要运送到 Tektronix 维修中心所在国范围内的地点，Tektronix 应支付向客户送返产品的费用。如果产品送返到任何其他地点，客户应负责支付所有的运费、关税、税金及任何其他费用。

本保证声明不适用于由于使用不当或者维护保养不当或不足所造成的任何缺陷、故障或损坏。Tektronix 根据本保证的规定无义务提供以下服务：a) 修理由非 Tektronix 服务代表人员对产品进行安装、修理或维护所导致的损坏；b) 修理由于使用不当或与不兼容的设备连接造成的损坏；c) 修理由于使用非 Tektronix 提供的电源而造成的任何损坏或故障；d) 维修已改动或者与其他产品集成的产品（如果这种改动或集成会增加产品维修的时间或难度）。

本保证由 TEKTRONIX 针对本产品而订立，用于替代任何其他的明示或暗示的保证。TEKTRONIX 及其供应商拒绝对用于特殊目的的适销性或适用性做任何暗示的保证。TEKTRONIX 对于违反本保修所提供的独有和唯一的补救措施是负责为客户修理或更换缺陷产品。无论 TEKTRONIX 及其供应商是否被预先告知可能发生任何间接、特殊、偶然或必然的损坏，TEKTRONIX 及其供应商对这些损坏均概不负责。

[W2 - 15AUG04]

# 常规安全概要

详细阅读下列安全性预防措施，以避免人身伤害，并防止损坏本产品或与本产品连接的任何产品。

为避免可能的危险，请务必按照规定使用本产品。

只有合格人员才能执行维修程序。

## 避免火灾或人身伤害

**使用合适的电源线：** 请只使用本产品专用并经所在国家/地区认证的电源线。

**遵循所有终端额定值：** 为避免火灾或电击，请遵守产品上的所有额定值和标记。在对产品进行连接之前，请首先查阅产品手册，了解有关额定值的详细信息。

**切勿开盖操作：** 请勿在外盖或面板打开时运行本产品。

**产品带有可疑故障时不要操作：** 如果怀疑本产品已损坏，请让合格的维修人员进行检查。

**远离裸露电路：** 电源接通后，请勿接触裸露的线路和元件。

**使用合适的交流适配器：** 只能使用为本产品指定的专用交流适配器。

**佩戴眼睛保护装置：** 如果暴露在高强度光线中或存在激光辐射，请佩戴眼睛保护装置。

**请勿在潮湿环境下操作：**

**请勿在易燃易爆的气体中操作：**

**请保持产品表面清洁干燥：**

**保持适当的通风：** 有关如何安装产品使其保持适当通风的详细信息，请参阅手册中的安装说明。

## 本手册中的术语

本手册中可能出现以下术语：



**警告：**“警告”声明指出可能会造成人身伤害或危及生命安全的情况或操作。

---



**注意：**“注意”声明指出可能对本产品或其他财产造成损坏的情况或操作。

---

## 产品上的符号和术语

产品上可能出现以下术语：

- DANGER “危险”表示您看到该标记时可直接接触到人身伤害的危险。
- WARNING “警告”表示您看到该标记时不会直接接触到人身伤害的危险。
- CAUTION “注意”表示可能会对本产品或其他财产带来的危险。

产品上可能出现以下符号：



CAUTION  
Refer to Manual

# 符合性信息

此部分列出仪器符合的 EMC（电磁兼容性）和环境标准。

## EMC 符合性

### EC 一致性声明 - EMC

符合 Directive 2004/108/EC 有关电磁兼容性的要求。已证明符合《欧洲共同体公报》中所列的以下技术规格：

**EN 61326-1 2006:** 测量、控制和实验室用电气设备 EMC 要求。  
1 2 3

- CISPR 11:2003。放射和传导发射量，组 1，A 类
- IEC 61000-4-2:2001。静电放电抗扰性
- IEC 61000-4-3:2002。射频电磁场抗扰性
- IEC 61000-4-4:2004。电气快速瞬变/突发抗扰性
- IEC 61000-4-5:2001。电源线路浪涌抗扰性
- IEC 61000-4-6:2003。传导射频抗扰性
- IEC 61000-4-11:2004。电压跌落和中断抗扰性

**EN 61000-3-2:2006:** 交流电源线谐波辐射

**EN 61000-3-3:1995:** 电压变化、偏移和闪烁

- 1 本产品仅为在非居民区内使用。在居民区内使用可能造成电磁干扰。
- 2 当该设备与测试对象连接时，可能产生超过此标准要求的辐射级别。
- 3 为确保符合上面列出的 EMC 标准，应使用高质量的屏蔽接口电缆。

### 欧洲联系方式：

Tektronix UK, Ltd.  
Western Peninsula  
Western Road  
Bracknell, RG12 1RF  
United Kingdom (英国)

## 澳大利亚/新西兰一致性声明 - EMC

根据 ACMA，符合 Radiocommunications Act（无线电通信法）有关 EMC 规定的以下标准：

- CISPR 11:2003。放射和传导发射量，组 1，A 类，依照 EN 61326-1:2006。

## 安全符合性

### 设备类型

测试和测量设备。

### 污染度说明

测量产品周围和产品内部的环境中可能出现的污染。通常认为产品的内部环境与外部环境相同。产品只应该在其规定环境中使用。

- 污染度 1。无污染或仅出现干燥、非传导性污染。对这种类型的产品，通常进行封装、密封或将其置于干净的房间中。
- 污染度 2。通常只发生干燥、非传导性污染。偶尔会发生由凝结引起的临时传导。典型的办公室/家庭环境属于这种情况。只有当产品不能使用时，才会发生临时凝结。
- 污染度 3。传导性污染，或由于凝结会变成传导性污染的干燥、非传导性污染。这些场所建有遮盖设施，温度或湿度不受控制。此类区域不会受阳光、雨水或自然风的直接侵害。
- 污染度 4。通过传导性的尘埃、雨水或雪产生永久的可导电性污染。户外场所通常属于这种情况。

### 污染度

污染度 2（在 IEC 61010-1 中定义）。注意：仅适合在室内使用。

## 环境注意事项

本部分提供有关产品对环境影响的信息。

### 产品报废处理

回收仪器或元件时，请遵守下面的规程：

**设备回收：**生产本设备需要提取和使用自然资源。如果对本产品的报废处理不当，则该设备中包含的某些物质可能会对环境或人体健康有害。为避免将有害物质释放到环境中，并减少对自然资源的使用，建议采用适当的方法回收本产品，以确保大部分材料可以正确地重复使用或回收。



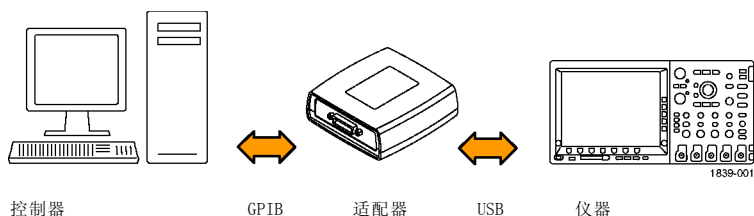
此符号表示该产品按照 Directives 2002/96/EC 和 2006/66/EC，符合欧盟对废旧电子和电气设备 (WEEE) 以及电池的要求。有关选件回收的信息，请查看 Tektronix 网站 ([www.tektronix.com](http://www.tektronix.com)) 上的 Support/Service (支持/服务) 部分。

### 有害物质限制

根据分类，本产品属于监视控制设备，不属于 2002/95/EC RoHS Directive 规定的范畴。

# 前言

本手册介绍了 TEK-USB-488 GPIB-USB 适配器的安装和操作。使用该适配器，可以将兼容 USBTMC-USB488 的仪器上的 USB 设备端口（例如 DPO4000 系列示波器）与 GPIB (IEEE488) 控制器相连接。



## 主要功能

主要功能包括：

- 通过 USB 端口对兼容 USBTMC-USB488 的 Tektronix 仪器进行 GPIB 控制。USBTMC 协议使 USB 设备可以使用 IEEE488 形式的消息进行通信。因此，可以在 USB 硬件上运行 GPIB 软件应用程序。
- 快速数据传输速率
- 由 USB 主机或可选外部电源供电

# 安装

打开适配器包装，确认您收到了所有被列为标准附件的物品。请访问 Tektronix 网站 ([www.tektronix.com](http://www.tektronix.com)) 了解最新信息。

## 标准附件

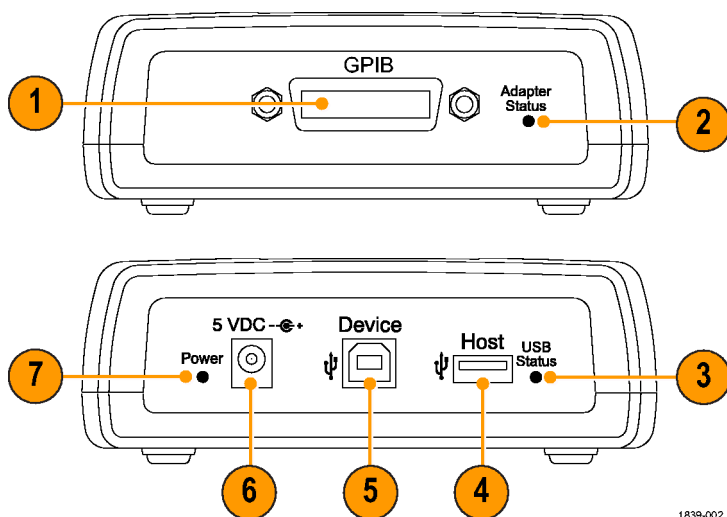
说明	部件号
用户手册	071-1839-XX
USB 电缆（各 2 根，1 米）	174-4401-XX

## 可选附件

说明	部件号
GPIB 电缆（1 米）	012-0991-XX
GPIB 电缆（2 米）	012-0991-XX
外部电源（电源线需另行订购）	119-8724-XX
适用于美国地区的电源线	161-0066-XX
适用于欧洲地区的电源线	161-0066-XX
适用于英国地区的电源线	161-0066-XX
适用于澳大利亚地区的电源线	161-0066-XX
适用于瑞士地区的电源线	161-0154-XX
适用于日本地区的电源线	161-0342-XX
适用于中国地区的电源线	161-0304-XX
适用于印度/南非地区的电源线	161-0400-XX



## 控件和连接器



1839-002

1. GPIB 连接器
2. Adapter Status (适配器状态) 指示器 (见表5第69页)
3. USB Status (USB 状态) 指示器 (见表6第69页)
4. USB Host (USB 主机) 端口, 用于和被控仪器上的 Device (USB 设备) 端口相连。
5. USB 设备端口。USB 主机可通过此端口为适配器供电。该端口仅用于供电。不提供任何 USB 设备功能。
6. 5 VDC 电源连接器。适用于可选外部电源, Tektronix 部件号 119-8724-XX。
7. Power (电源) 指示器。接通电源时变亮。

## 连接电源

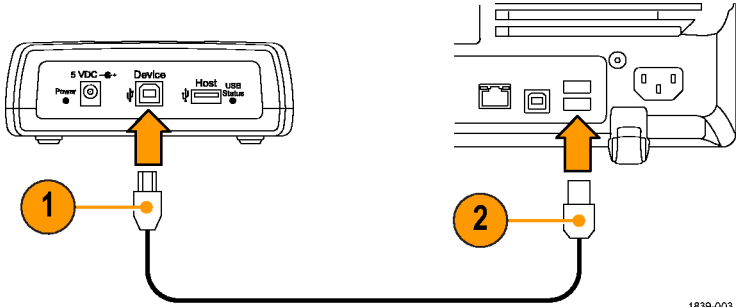
可以采用以下两种方法之一为适配器供电：

- 从 USB 主机端口
- 从可选外部电源

### 连接 USB 电源

若要从 USB 主机端口为适配器供电，请执行以下步骤：

1. 将 USB 电缆的设备端与适配器后面板上的 USB Device (USB 设备) 端口相连。
2. 将 USB 电缆的主机端与供电装置 (通常为被控仪器或 PC) 上的 USB Host (USB 主机) 端口相连。



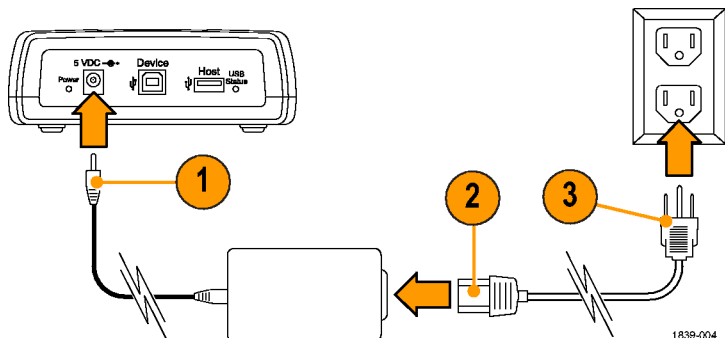
1839-003

3. 确认 Power (电源) LED 变亮，并且 USB Status (USB 状态) 和 Adapter Status (适配器状态) LED 先变亮，然后又熄灭。这表示适配器初始化正常。

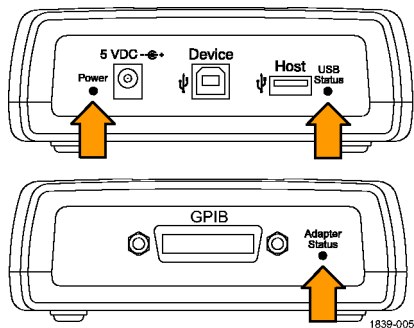
## 连接外部电源

若要从可选交流电源设备为适配器供电，请执行以下步骤：

1. 将电源设备的输出电源线与适配器后面板上的 5 VDC 连接器相连。
2. 将可选电源线的一端连接至外部电源。
3. 将电源线的另一端连接至墙上电源插座。



4. 确认 Power（电源）LED 变亮，并且 USB Status（USB 状态）和 Adapter Status（适配器状态）LED 先变亮，然后又熄灭。这表示适配器初始化正常。

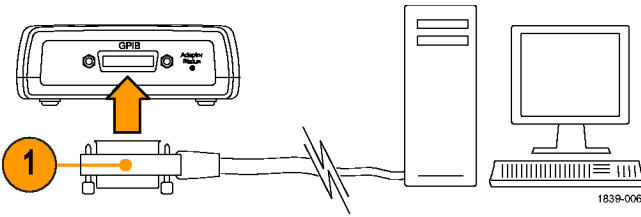


## 连接电缆

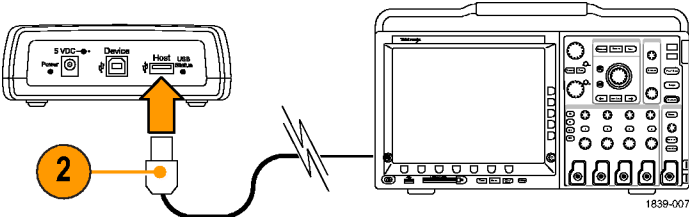
**说明：** 在仪器通电期间可以连接以下电缆。

要将 TEK-USB-488 GPIB-USB 适配器与 USB 和 GPIB 电缆连接，请执行以下步骤：

1. 将与 GPIB 控制器相连的 GPIB 电缆连接至适配器上的 GPIB 端口。



2. 将与仪器 Device（设备）端口相连的 USB 电缆连接至适配器上的 Host（主机）端口。



## 设置 GPIB 地址

适配器的默认 GPIB 地址为 1。如果将其用于非 Tektronix 制造的仪器或者 Tektronix 较早不支持 USB 协议和 USB 扩展（设置适配器 GPIB 地址时需要）的仪器，则必须为适配器使用默认 GPIB 地址。

如果将 Tek-USB-488 GPIB-USB 适配器连接至设计用于支持适配器且兼容 Tektronix USBTMC-USB488 的仪器（如 DP04000 系列仪器），则可以使用仪器的菜单系统将地址设置为 1 至 30 之间的值。

若要通过设计用于支持适配器的仪器更改 GPIB 地址，请执行以下步骤：

1. 在相连的仪器上查找 GPIB 控制菜单。
2. 使用合适的控制选择所需的“发/收”地址。仪器将自动禁用和启用 USB 端口，以识别新的地址。
3. 使用 GPIB 控制器上运行的控制程序与适配器上连接的仪器进行通信。

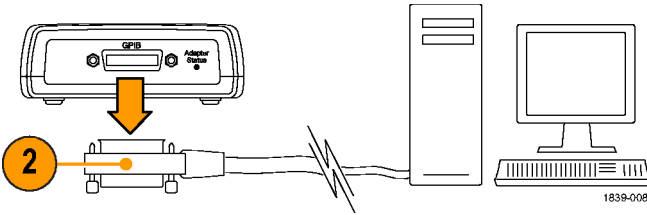
使用的参数假设如下：

- 不支持 GPIB 二级地址。
- 默认的 GPIB 主地址为 1。GPIB 主地址的更改只能通过连接到兼容 Tektronix USBTMC-USB488，而且它设计用于支持 TEK-USB-488 GPIB-USB 适配器的仪器（例如 DP04000 系列示波器）。
- GPIB 程序消息终止符 (PMT) 是 GPIB 输入 (EOI) 行的结尾，无法进行配置。支持将 EOI 与一个新行（十六进制 0a）字符并存的情况作为最后数据字节的消息。这就意味着 EOI 和 EOI NL 程序消息终止都受支持，仅 NL 终止不受支持。
- 不支持 USB 集线器。所以在任何时候，仅能将一台兼容 USBTMC-USB488 的仪器连接至适配器的 USB Host（USB 主机）端口。
- 如果存在有效的 USBTMC-USB488 连接，则 GPIB 的开/关状态将处于在线状态。连接一旦建立，便无法更改 GPIB 的开/关状态。

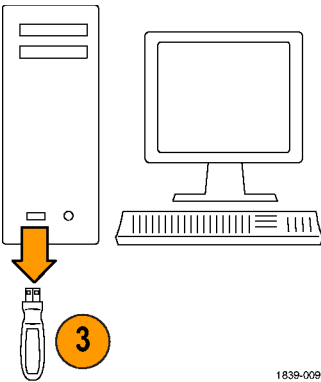
## 更新固件

要更新适配器的固件，请执行以下操作：

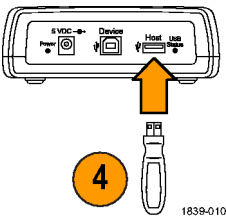
1. 关闭适配器电源。
2. 断开所有连至适配器的 USB 或 GPIB 设备。



3. 将新的固件从 [www.tektronix.com](http://www.tektronix.com) 下载至 USB 海量存储设备。



4. 将 USB 海量存储设备插入适配器。



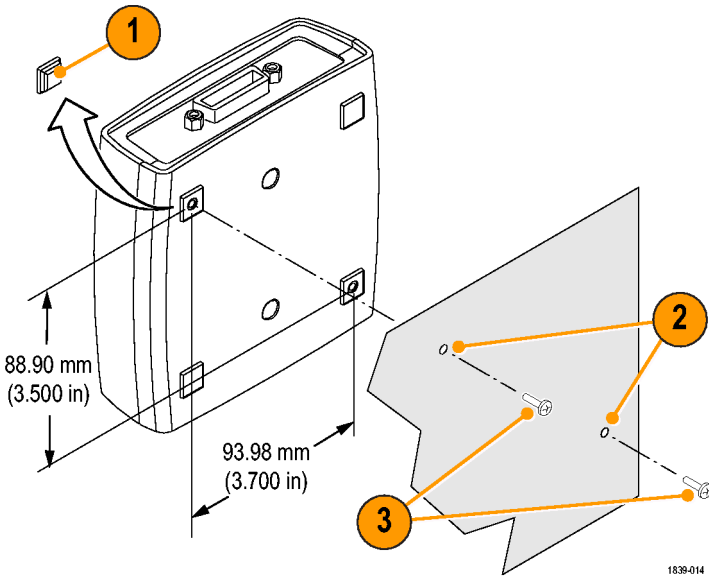
5. 打开适配器电源。

6. 注意 Adapter Status LED（适配器状态 LED）的颜色。
  - 黄色常亮表示正在进行固件升级。请等待，直到 LED 变色。
  - 绿色闪烁表示固件已成功更新。转至步骤 7。
  - 红色闪烁表示固件更新失败。转至步骤 9。
7. 如果 LED 绿色闪烁，请关闭适配器电源，重新连接 USB 和 GPIB 电缆。（见第62页，*连接电缆*）
8. 打开适配器电源，并确认 Adapter Status LED（适配器状态 LED）为绿色常亮。此时便完成了固件更新过程。
9. 如果 LED 为红色闪烁，则固件升级过程失败。请联系 Tektronix 以获得服务支持。

## 安装适配器

虽然没有专用于适配器的机架安装套件，但是可以通过执行以下操作将适配器安装至某一表面上（例如某个现有机架托盘或自己设计的托架）：

1. 拆下适配器的四个粘附在底部的塑料支脚。
2. 参考图中所示的尺寸，在安装表面钻两个螺丝孔。
3. 使用两个长度适中的 6-32 螺丝安装适配器。



1839-014

**说明：** 如果安装的是 DP04000 系列仪器的 RM4000 机架安装套件，则该安装套件将提供安装附件（例如适配器）的备用品。



# 故障排除

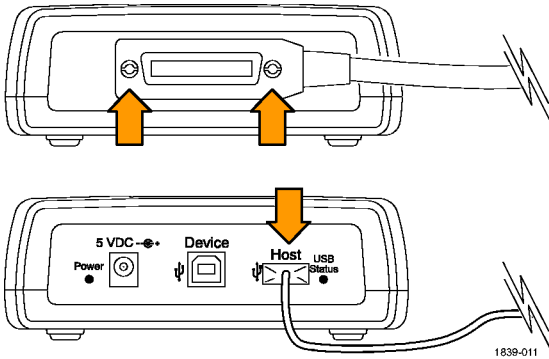
在开始进行故障排除之前，请注意以下几点：

- 没有用户可维修的部件。
- 没有性能验证过程。
- 适配器不支持 USB 集线器。

如果适配器表现出无法正常工作，请进行以下检查：

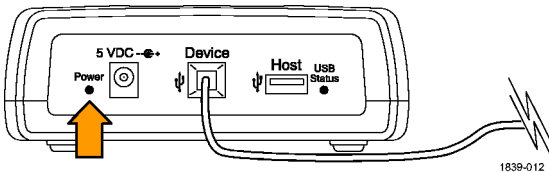
## 1. 检查电缆。

USB 和 GPIB 电缆连接器应完全插入。如果轻轻将其按住，应感觉到它们已完全固定。



## 2. 检查电源。

如果适配器正在通电，则电源指示器应变亮。如果不亮，请尝试轻按电源连接器或 Device (USB 设备) 端口 (正在使用的任何一个) 上的电源线。



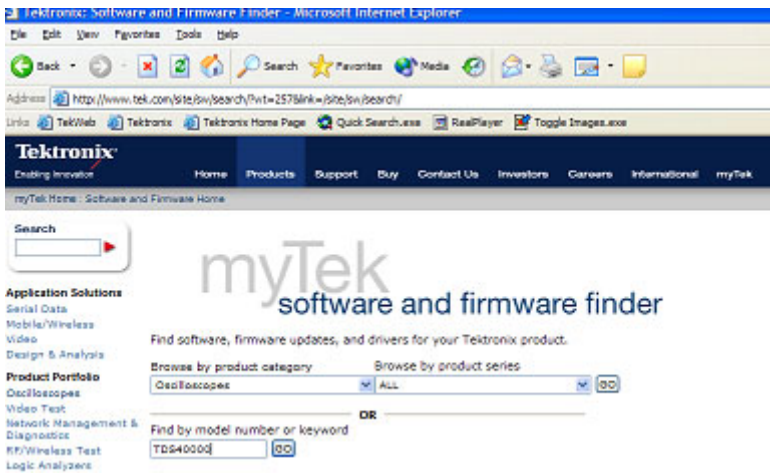
3. 检查 GPIB 设置。

如果适配器正在通电，则电源指示器应变亮。如果不亮，请尝试轻按电源连接器或 Device (USB 设备) 端口 (正在使用的任何一个) 上的电源线。

如果地址设置正确，则请断开连接至适配器 Host (主机) 端口的仪器。稍候，然后将该仪器重新连接至 Host (主机) 端口。

4. 检查固件。

使用最新的适配器固件。要获得最新固件，请转到网站 [www.tektronix.com](http://www.tektronix.com)。通过 USB 端口将固件装入适配器。(见第64页，更新固件)



5. 检查程序是否丢失数据。

如果注意到有数据丢失，则可能遇到**中断查询错误**：纠正此错误的方法是，确保编写了程序，使得控制器向示波器发送一个查询后，便可以在向其发送其他任何命令或查询之前，读取来自示波器的所有响应数据。

有关其他信息，请参考相应的程序员手册（例如 DP04000 系列程序员手册）。

6. 检查指示灯。

适配器的 Adapter Status (适配器状态) 和 USB Status (USB 状态) 指示灯应处于正常设置。要对其进行检查, 请参考以下表格:

**表 5: Adapter Status (适配器状态) LED**

颜色	发光状态	说明
绿色	常亮	GPIB 在线且正在工作。USB 连接已建立。
	闪烁	如果在正常操作模式下, 则无法将 GPIB 置于在线状态, 因为有效的 USB 连接不存在或已连接的 USBTMC-USB488 设备不是 Tektronix 仪器。 如果在固件升级模式下, 则表示固件升级已成功完成。
黄色	常亮	正在进行固件升级。
	闪烁	固件升级模式: 检测到 USB 海量存储设备, 其中包含固件升级文件。 非固件升级模式: 由于 GPIB 驱动程序检测到错误, 所以无法将 GPIB 置于在线状态。
红色	常亮	适配器感应到尝试将 USB 连接到非 USBTMC-USB488 设备。适配器拒绝建立此连接。
	闪烁	如果在操作模式下, 则表示开机自检失败。 如果在固件升级模式下, 则表示固件升级失败。
无	关闭	如果在操作模式下, 则 GPIB 为脱机状态。 也可能表示适配器未接通电源。

**表 6: USB Status (USB 状态) LED**

发光状态	说明
关闭	不存在 USB 连接
常亮	存在 USB 连接, 且未执行任何操作
闪烁	存在 USB 连接, 且数据正在任一 USB 端点传输。

# 技术指标

## USB, 常规

特性	说明
USB 主机版本	从部分到完全兼容 USB 2.0 的全速主机接口。连接到 Tektronix 示波器时, 预期的下行功率要求小于 10 mA。从 USB 设备端口运行时, 目前提供唯一的非兼容点。
USB 驱动程序类别	修改后的 USB TMC 标准。

## USB 设备特性

特性	说明
USB 设备版本	无。设备接口仅用于供电。假设主机设备提供 0.5 A。获取此功率时不执行协商。

## GPIB 特性

特性	说明
GPIB 版本	IEEE-488.2
批量数据速率	批量数据速率在很大程度上取决于 GPIB 控制器和 GPIB 上驻留的所有其他外围设备的特性。 未对 HS (4 MB/秒) GPIB 提供支持 未提供对 GPIB 的 DMA
支持的 GPIB 功能	AH1、SH1、SR1、PP1、T5、L3、RL1、DC1、DT1、C0

## 其他特性

特性	说明
电流消耗	电流消耗小于 0.5 ADC (5 V)

## 大气

特性	说明
温度：工作和非工作状态	工作状态： 0°C 至 +50°C (32°F 至 +122°F) 非工作状态： - 20°C 至 +60°C (- 4°F 至 +140°F)
湿度：工作和非工作状态	工作状态： 高温：40°C 至 50°C (104°F 至 122°F)，10% 至 60% 相对湿度 低温：0°C 至 40°C (32°F 至 104°F)，10% 至 90% 相对湿度 非工作状态： 高温：40°C 至 60°C (104°F 至 140°F)，5% 至 60% 相对湿度 低温：0°C 至 40°C (32°F 至 104°F)，5% 至 90% 相对湿度
海拔高度：工作和非工作状态	工作状态： 最高可达 3,000 米 (10,000 英尺) 非工作状态： 最高可达 15,240 米 (50,000 英尺)

## 物理特性

特性	说明	
高度	48.25 毫米	1.90 英寸
宽度	133.35 毫米	5.25 英寸
深度	133.35 毫米	5.25 英寸
重量	560 克	1.25 磅