



**644-1095-01 Rackmount Kit
for the TSO820 and TCR801
Installation Instructions**

www.tek.com



071-3677-01

Copyright © Tektronix. All rights reserved. Licensed software products are owned by Tektronix or its subsidiaries or suppliers, and are protected by national copyright laws and international treaty provisions.

Tektronix products are covered by U.S. and foreign patents, issued and pending. Information in this publication supersedes that in all previously published material. Specifications and price change privileges reserved.

TEKTRONIX and TEK are registered trademarks of Tektronix, Inc.

Contacting Tektronix

Tektronix, Inc.
14150 SW Karl Braun Drive
P.O. Box 500
Beaverton, OR 97077
USA

For product information, sales, service, and technical support:

- In North America, call 1-800-833-9200.
- Worldwide, visit www.tek.com to find contacts in your area.

General safety summary

Review the following safety precautions to avoid injury and prevent damage to this product or any products connected to it.

To avoid potential hazards, use this product only as specified.

Only qualified personnel should perform service procedures.

To avoid damage to equipment and personal injury

Do not exceed rackmount weight ratings. Use this rackmount kit only for TSO820 and TCR801 instruments.

Use proper hardware. Do not interchange hardware. Use only specified mounting screws.

Use care when installing and removing product from rack. Avoid pinching fingers and hands when installing and removing. Do not force the product when installing. Gently pull the product out when removing.

Use only with specified products. Do not use rackmount on products for which it was not intended. Refer to individual product manuals for details or contact Tektronix Customer Service when in doubt.

Contacting Tektronix

Tektronix, Inc.
14150 SW Karl Braun Drive
P.O. Box 500
Beaverton, OR 97077
USA

For product information, sales, service, and technical support:

In North America, call 1-800-833-9200.

Worldwide, visit www.tek.com to find contacts in your area.

Kit description

The 3U rackmount kit is a collection of parts that, once installed, configures the following Tektronix products for mounting into a standard 19-inch equipment rack.

- Products**
- TSO820
 - TCR801

- Required equipment**
- Phillips #2 screwdriver
 - 11/32 socket or nut driver
 - Torx driver for bits
 - Torx T-8 bit
 - Torx T-15 bit
 - Torx T-20 bit

Kit parts list

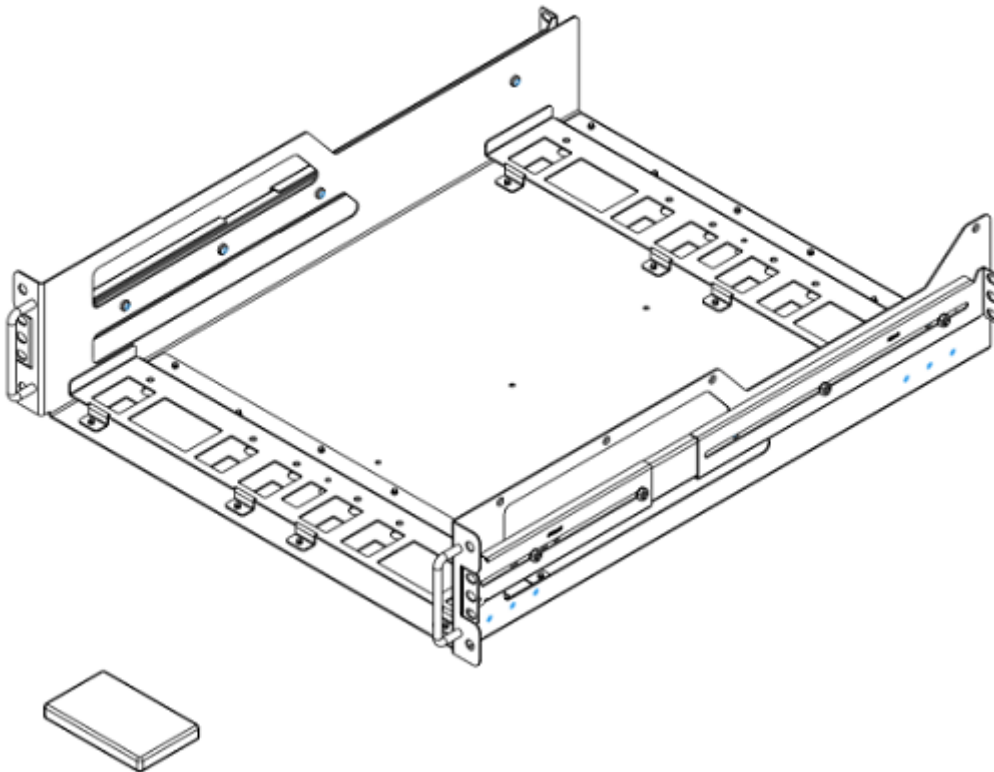
The following table lists the parts contained in this kit. The figure shows the contents of the kit. The slides and rails come attached to the tray. A bag of hardware (screws) is included.

Table 1: 8 Series rackmount kit parts list

Qty.	Description	Tektronix part number
1	TRAY, BASE, RACKMOUNT	407-6199-xx
2	HANDLE, BOW	367-0562-xx
2	ASSEMBLY, SLIDE AND RAIL with the following hardware installed:	351-1147-xx
8	SCREW, MACHINE 8-32x .375	NA
8	NUT, KEP, 8-32	NA
4	SCREW, MACHINE 6-32x .312	211-1050-xx
8	SCREW, MACHINE 8-32x .265	212-0283-xx
1	BRACKET, RACK, LEFT, FRONT	407-5596-xx
1	BRACKET, RACK, LEFT, REAR	407-5597-xx
1	BRACKET, RACK, RIGHT, FRONT	407-5598-xx
1	BRACKET, RACK, RIGHT, REAR	407-5599-xx
1	Small bag containing:	—

Table 1: 8 Series rackmount kit parts list , (cont.)

Qty.	Description	Tektronix part number
12	SCREW, MACHINE 10-32x .625	212-0577-xx
16	SCREW, MACHINE 8-32x .265	212-0283-xx
8	SCREW, MACHINE 6-32x .312	212-0004-xx

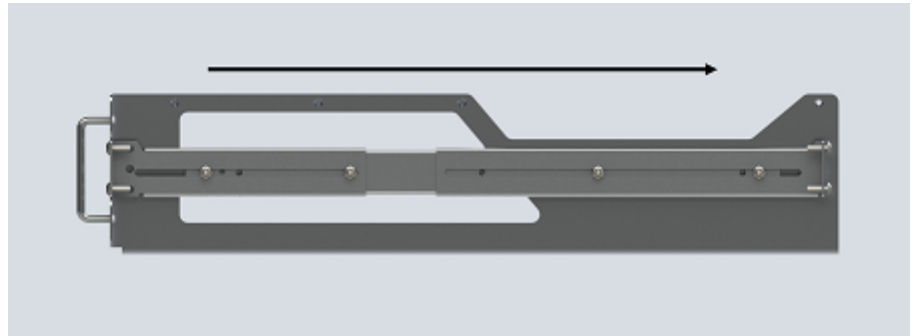


Installation

Install the rackmount into the rack

This rackmount comes completely assembled with slide rails in place. Before securing the rack rails on a rack, you will need to remove them from the tray assembly.

1. Remove the rack rails from the tray assembly:
 - a. Slide a rack rail completely to the rear (away from tray handles) until it stops and exposes the rail release tab located on the inside of the rail.



- b. Depress the release tab (1) and continue to slide the rack rail until it is detached from the tray assembly. (You may need to use a thin metal rod or screw driver to depress the tab.)

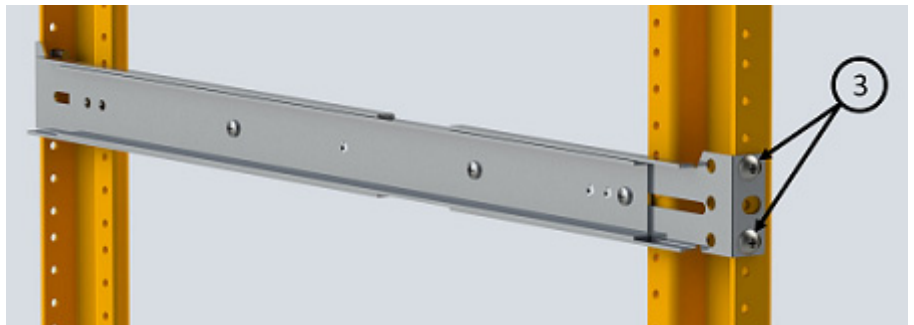


- c. Repeat steps a through b for the other rack rail.

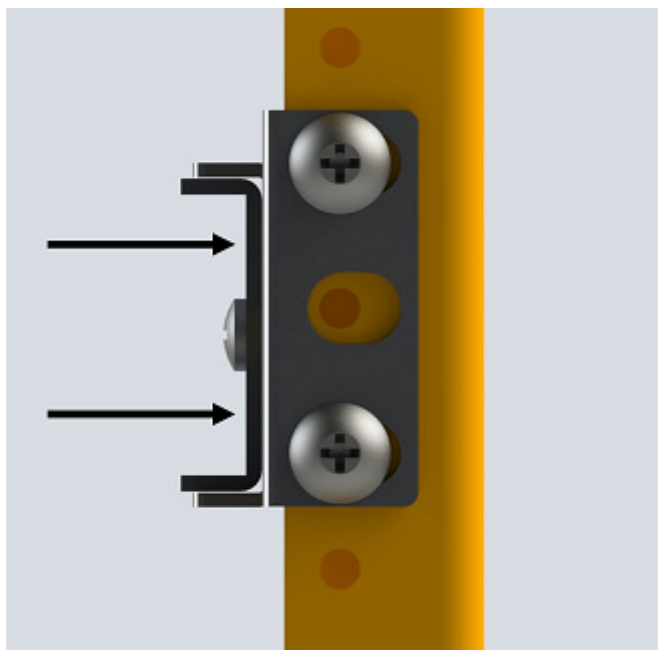
2. Loosen the center screws (2) of each rack rail to allow for later rail length adjustment.



3. Attach the rack rails to the rack, ensure that the rack rail ends marked FRONT and REAR are appropriately aligned to the front and rear of the rack:
 - a. Use 2 screws (212-0577-xx) and a Phillips head driver to anchor a rack rail to the rack front (3) (flanges facing out).

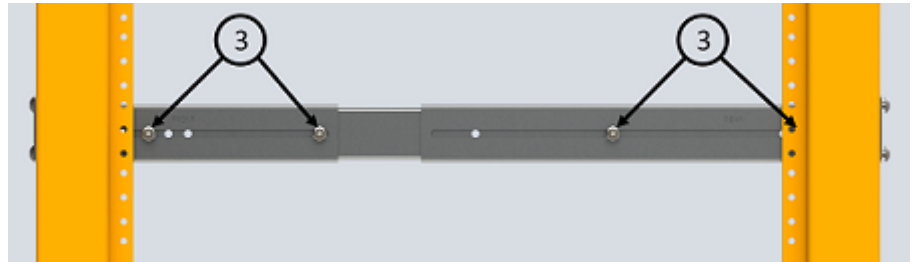


- b. Push the rack rails into the rack frame and then tighten the screws.



- c. Use 2 screws (212-0577-xx) to anchor the rack rail to the rack rear.

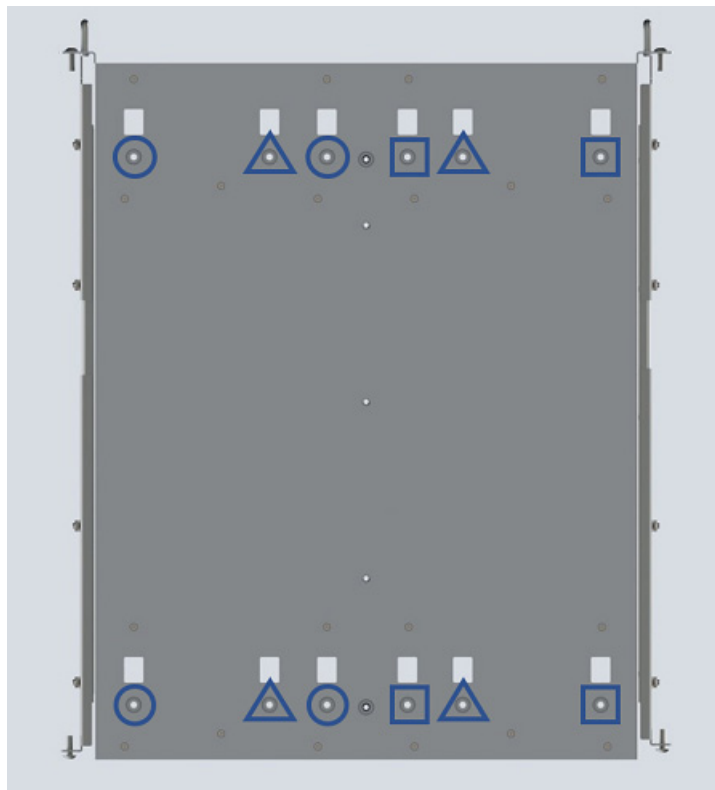
- d. Adjust the green rail stops as far backward as possible.
- e. Hold the center nuts and tighten the center screws to secure the rack rail.



- f. Repeat steps a through e for the other rack rail.

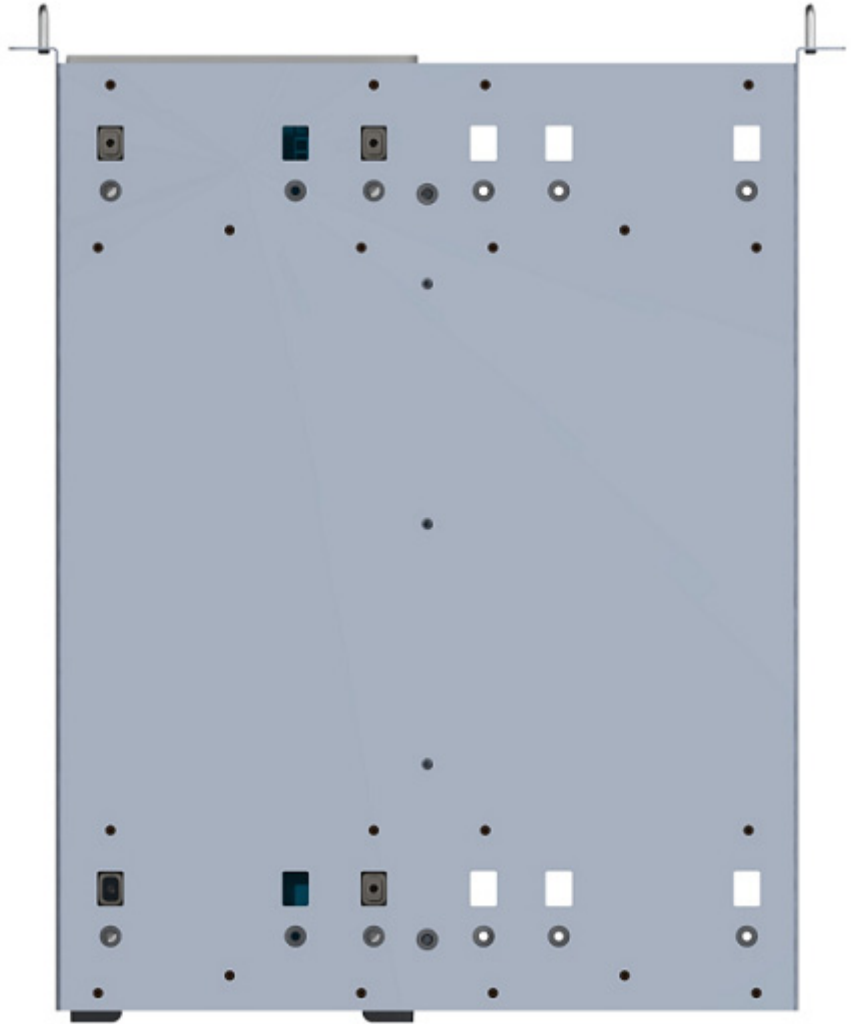
**To install one or two
TSO820 or TCR801**

If you are only inserting one instrument, you can place it in the center (triangles), right (squares), or left (circles) side of the tray.



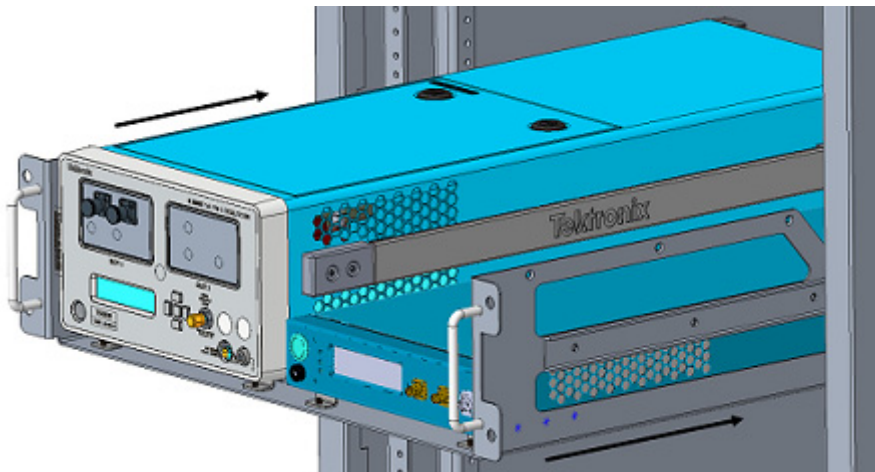
- 4. Install the instrument(s) into the tray assembly:
 - a. If you are installing a TSO820 in the right side of the tray, first remove the right side handle of the instrument (right rail side) with a T-20 tip and driver. The instrument will not fit with the handle on. You do not need to remove any handles in the other placement configurations.

- b. Place the four feet fit into the rectangular cutouts at the front and rear of the tray. Ensure the feet settle into the cutouts and the bottom of the instrument is flush with the tray.



- c. You need to secure the instrument to the tray from the bottom. Do this by rotating the tray on the table to expose each corner with one foot and its adjacent screw hole hanging off of the table. Secure each corner in turn using a T-20 screws [212-0004-xx].

- d. Check that the instrument is secure.
 - e. Install a second instrument, if desired.
5. Slide the tray with installed instruments into the rack rails as follows:
- a. Insert the tray with installed instrument(s) into the installed rack rails. Once the tray clicks into place, depress both of the release tabs at the same time and slide the tray completely backward.



- b. Push in both release tabs at the same time while pushing the tray into the rack along the slide-rails. Push until the entire tray is in the rack.

NOTE. If the tray will not push fully into the rack, first check that the green rail stops are pushed as far backward as possible. You can also check to ensure that the rail screws are not blocking the tray. If they are, adjust them accordingly.

6. (Optional) Add 4 more screws (212-0577-xx) to lock the rack rails in place.

